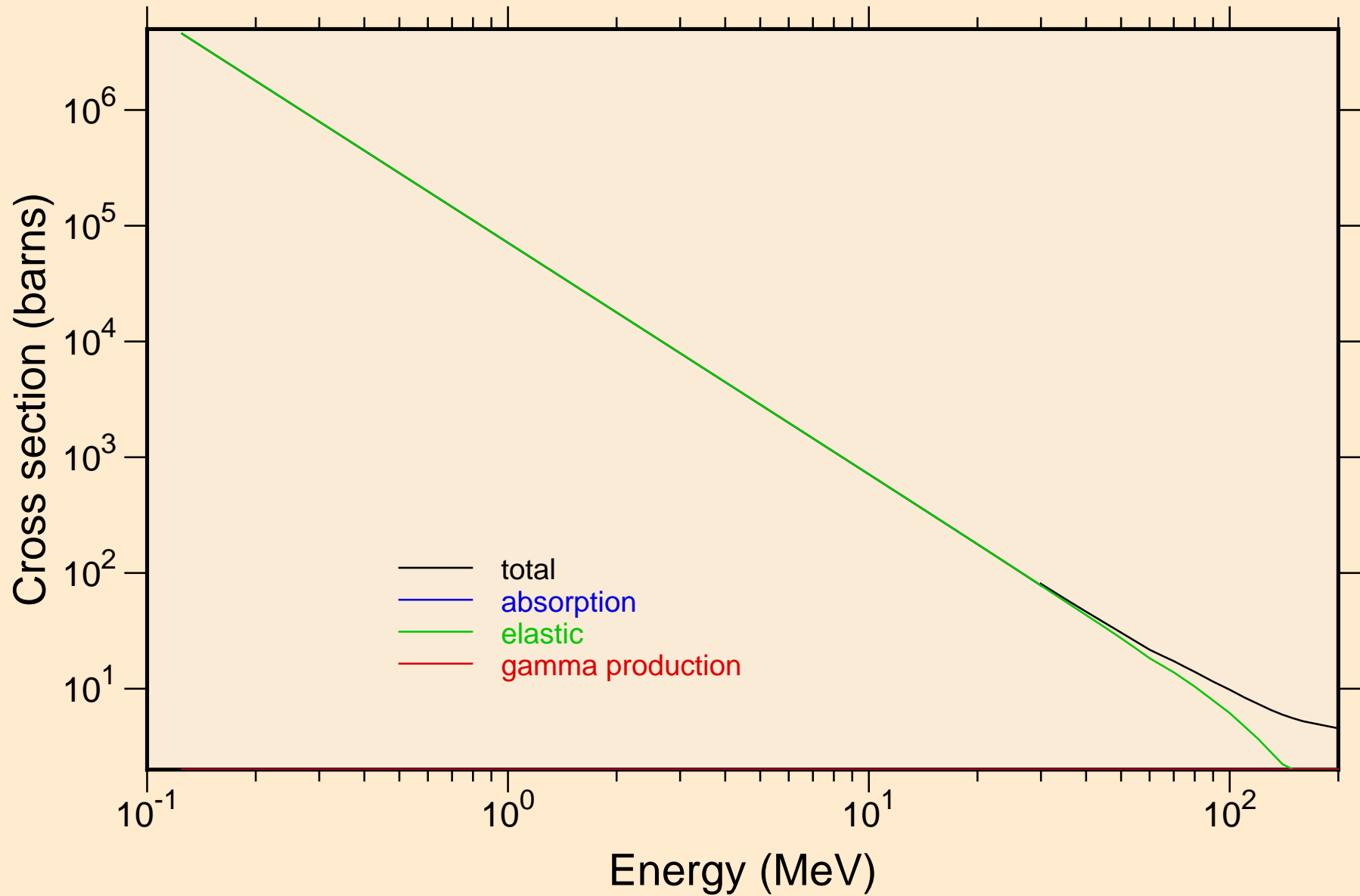
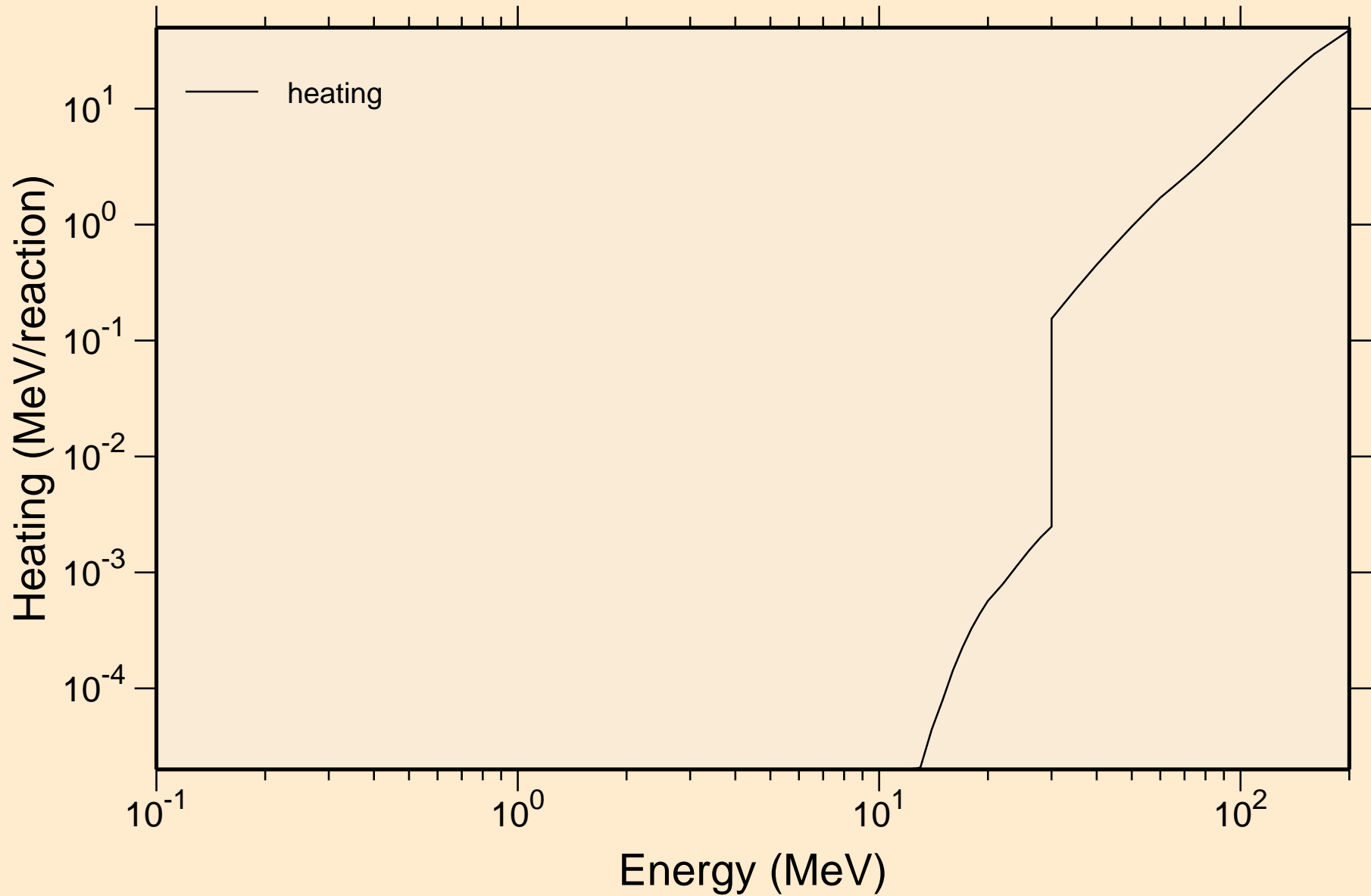


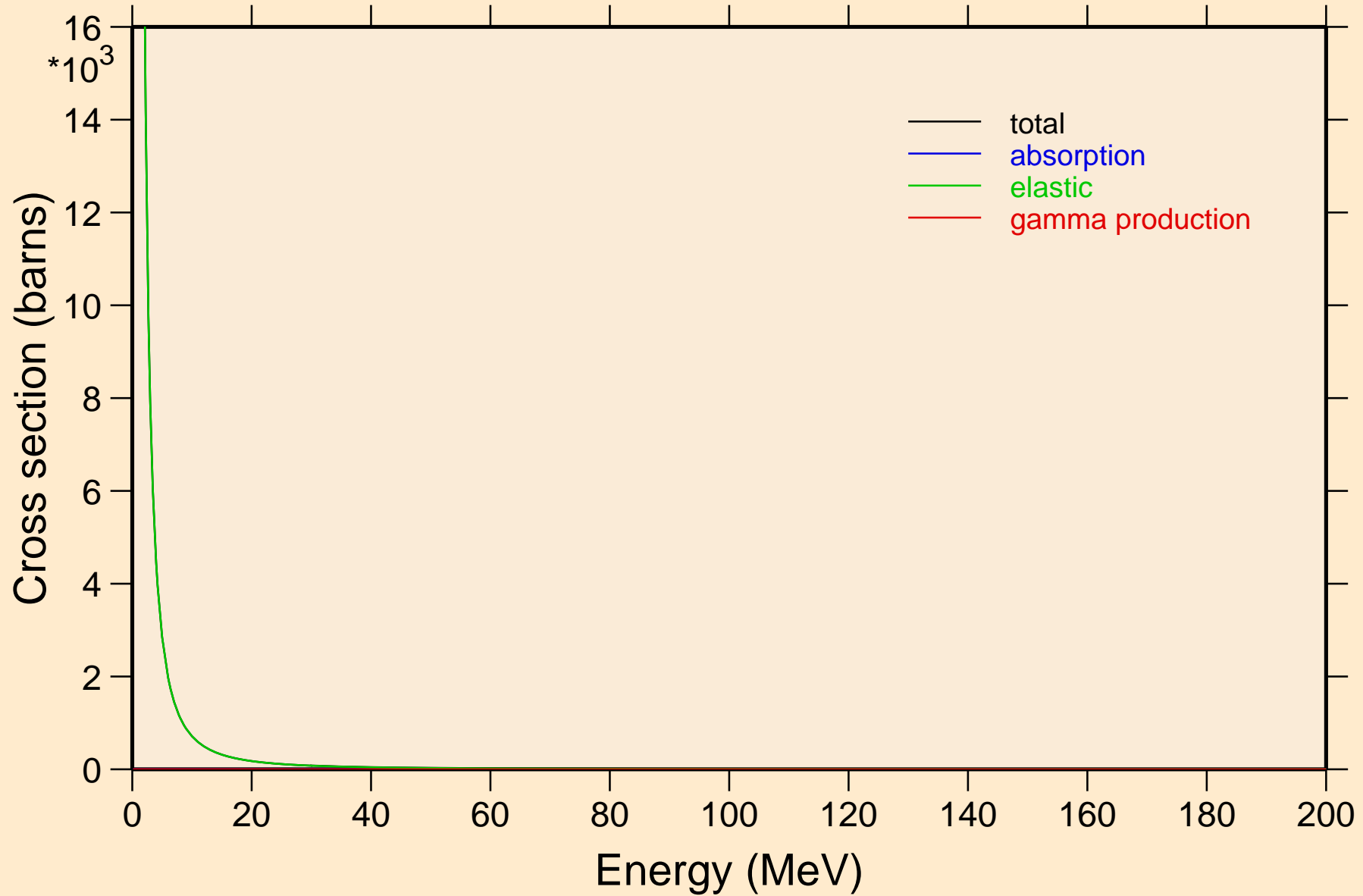
BH266 DEUTERON ACER TENDL-2021 LIBRARY; T=0.K  
Principal cross sections



BH266 DEUTERON ACER TENDL-2021 LIBRARY; T=0.K  
Heating

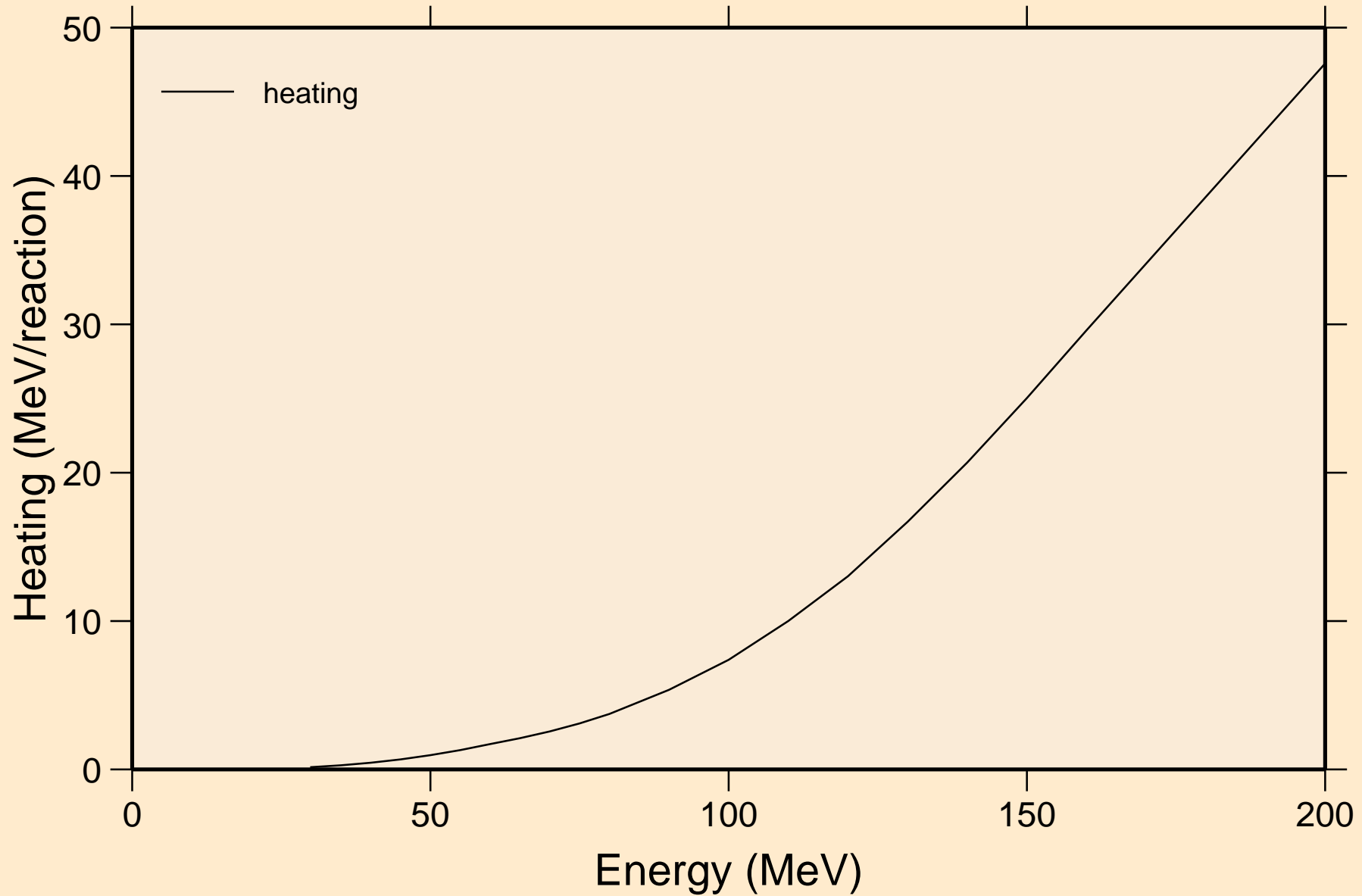


BH266 DEUTERON ACER TENDL-2021 LIBRARY; T=0.K  
Principal cross sections

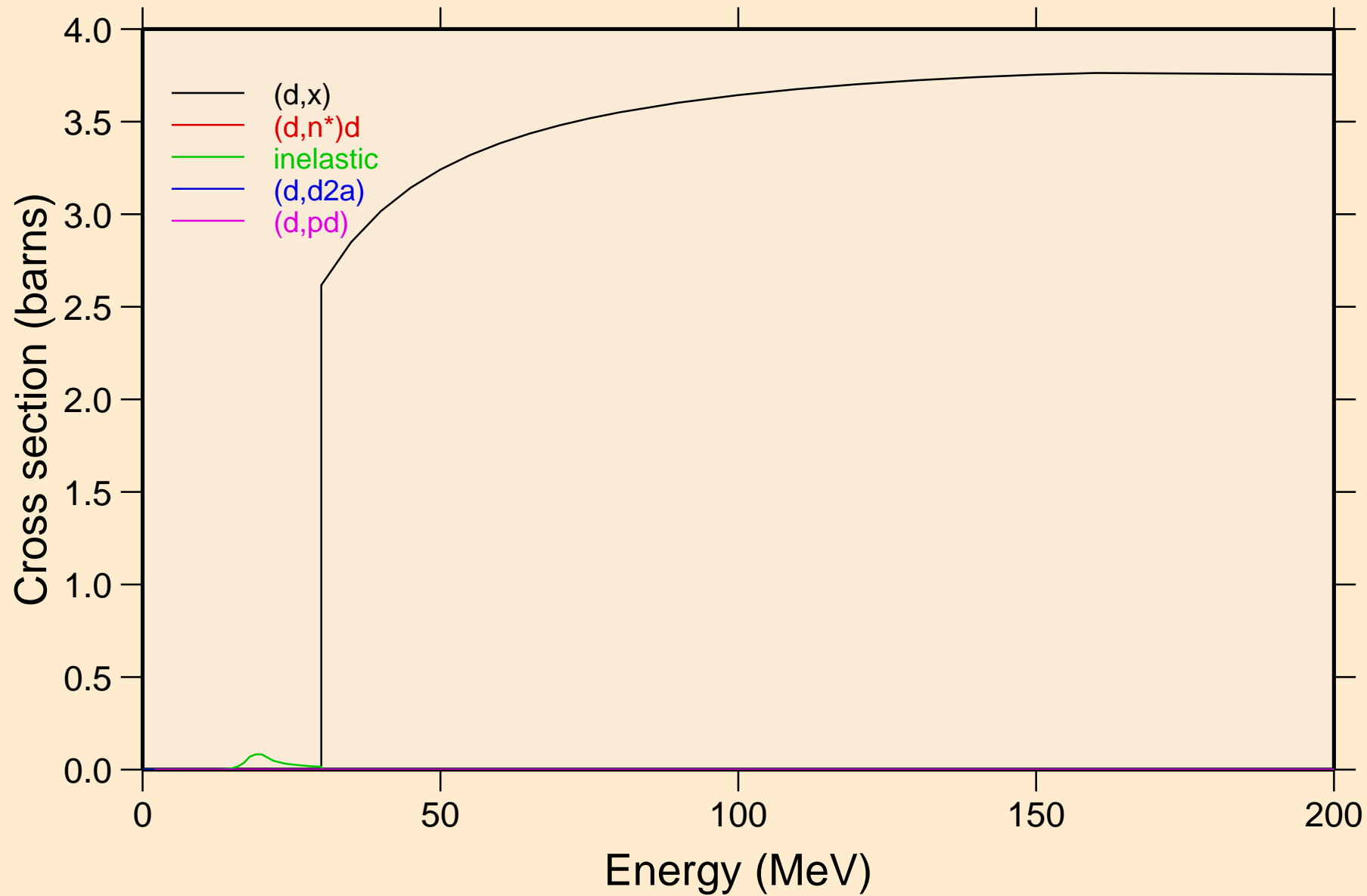


# BH266 DEUTERON ACER TENDL-2021 LIBRARY; T=0.K

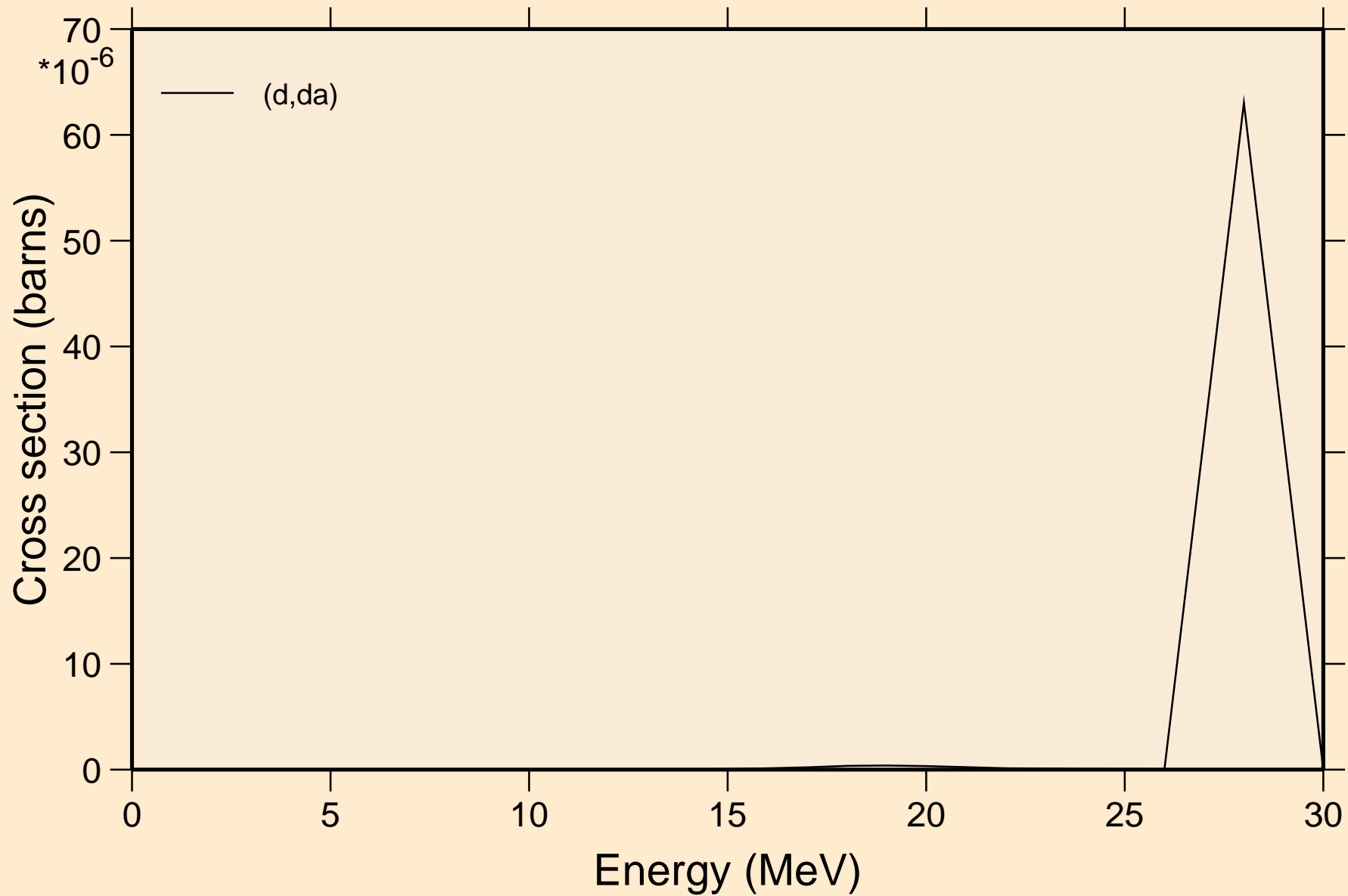
## Heating



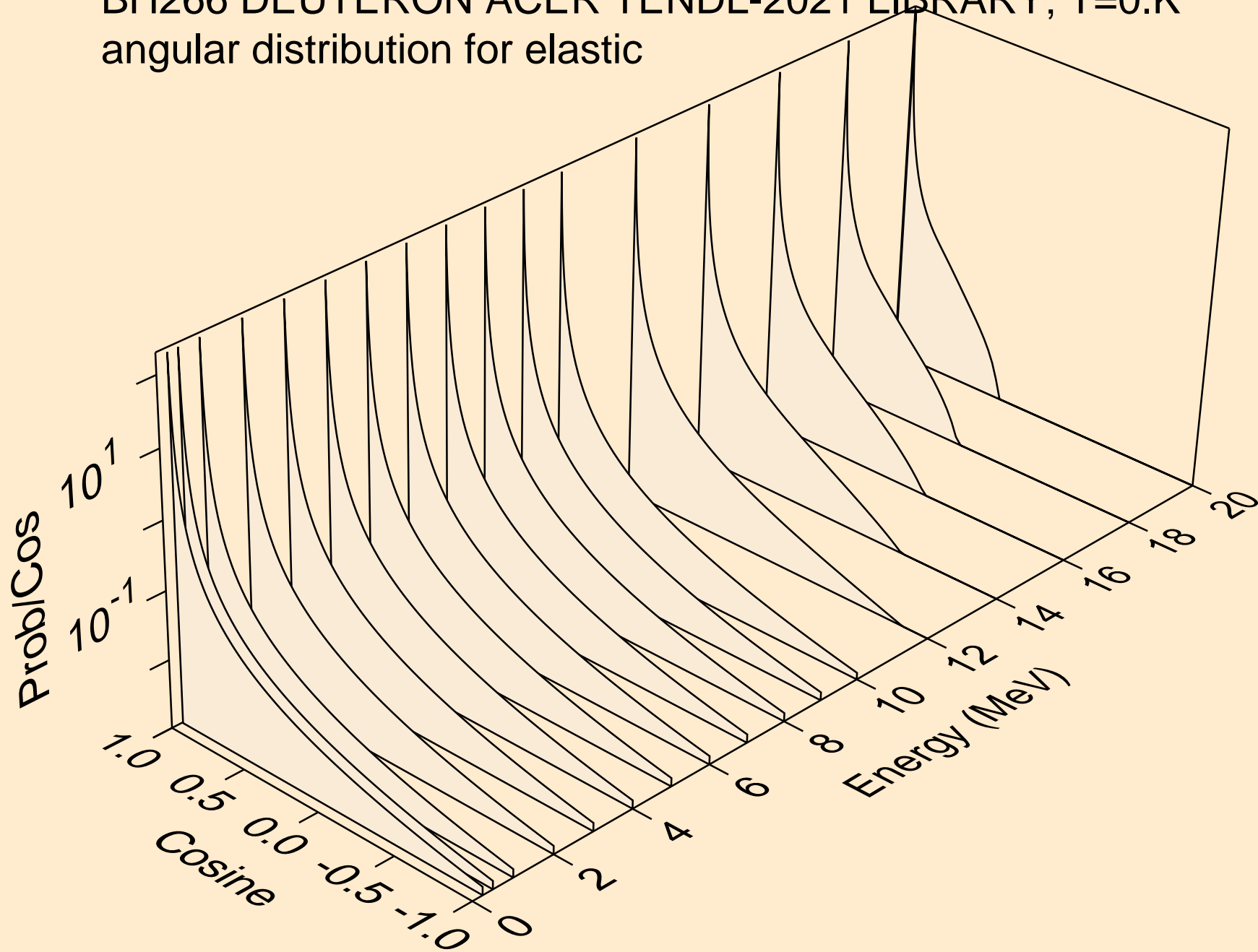
BH266 DEUTERON ACER TENDL-2021 LIBRARY; T=0.K  
Threshold reactions



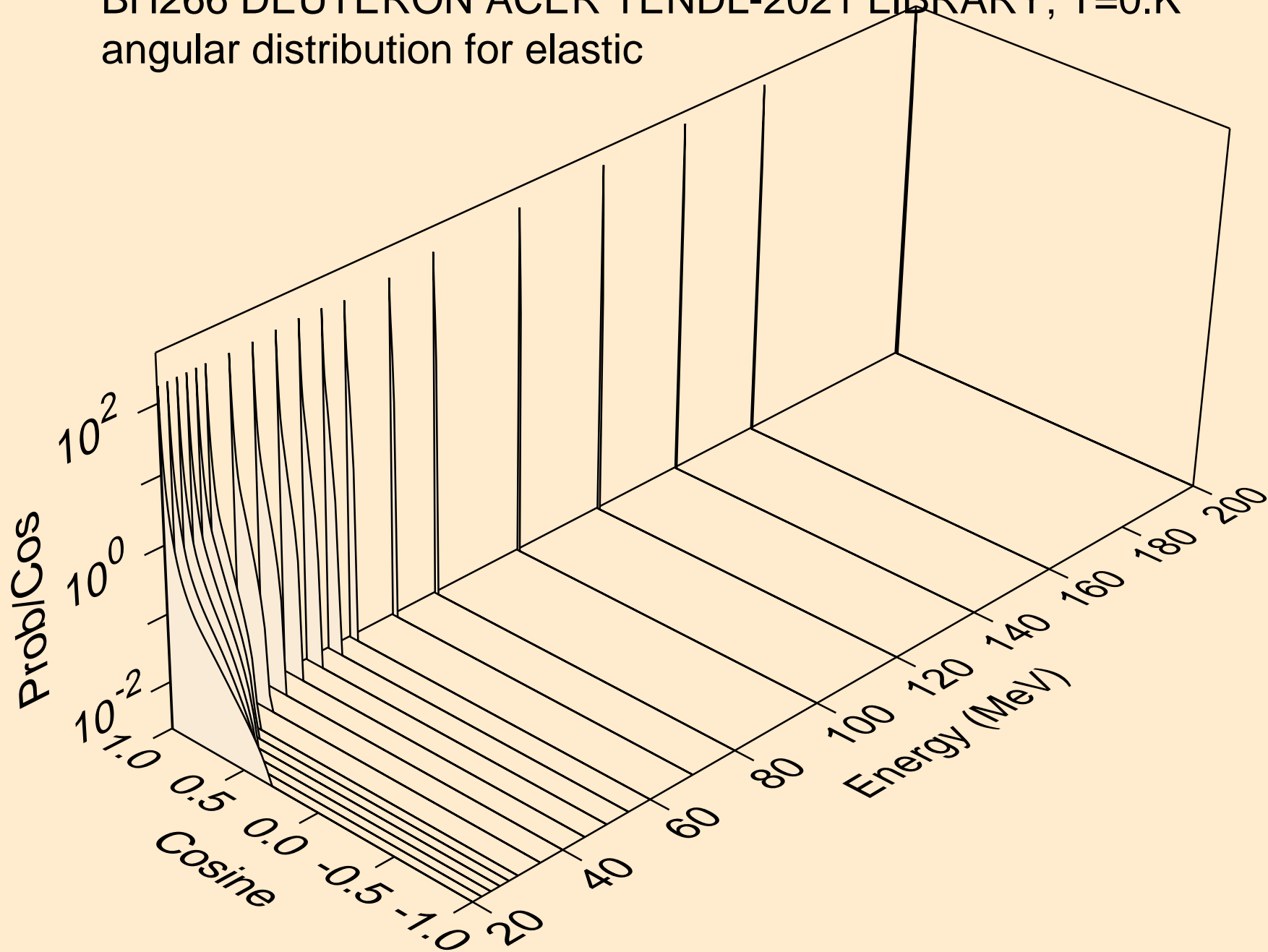
BH266 DEUTERON ACER TENDL-2021 LIBRARY; T=0.K  
Threshold reactions



BH266 DEUTERON ACER TENDL-2021 LIBRARY; T=0.K  
angular distribution for elastic

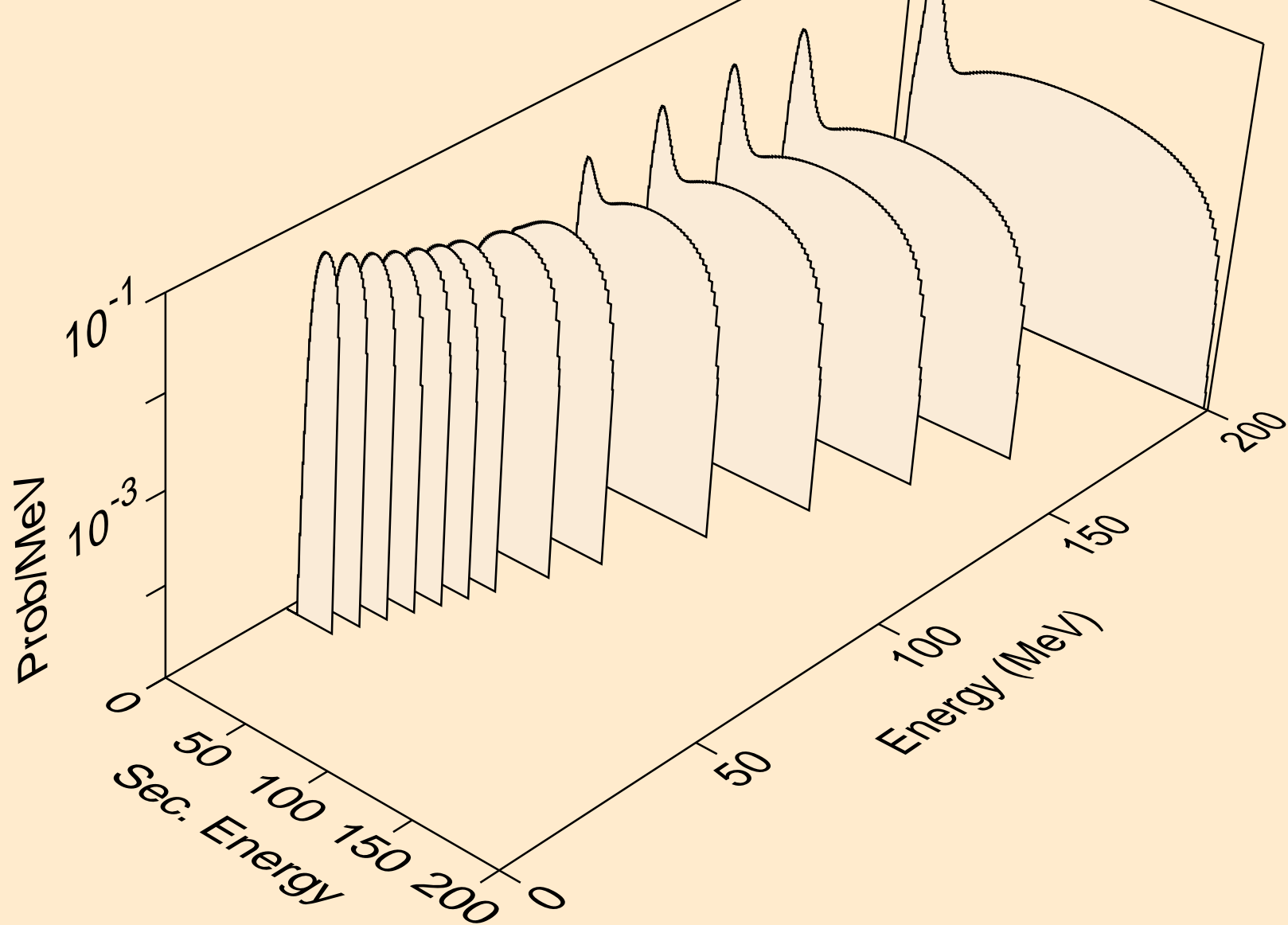


BH266 DEUTERON ACER TENDL-2021 LIBRARY; T=0.K  
angular distribution for elastic

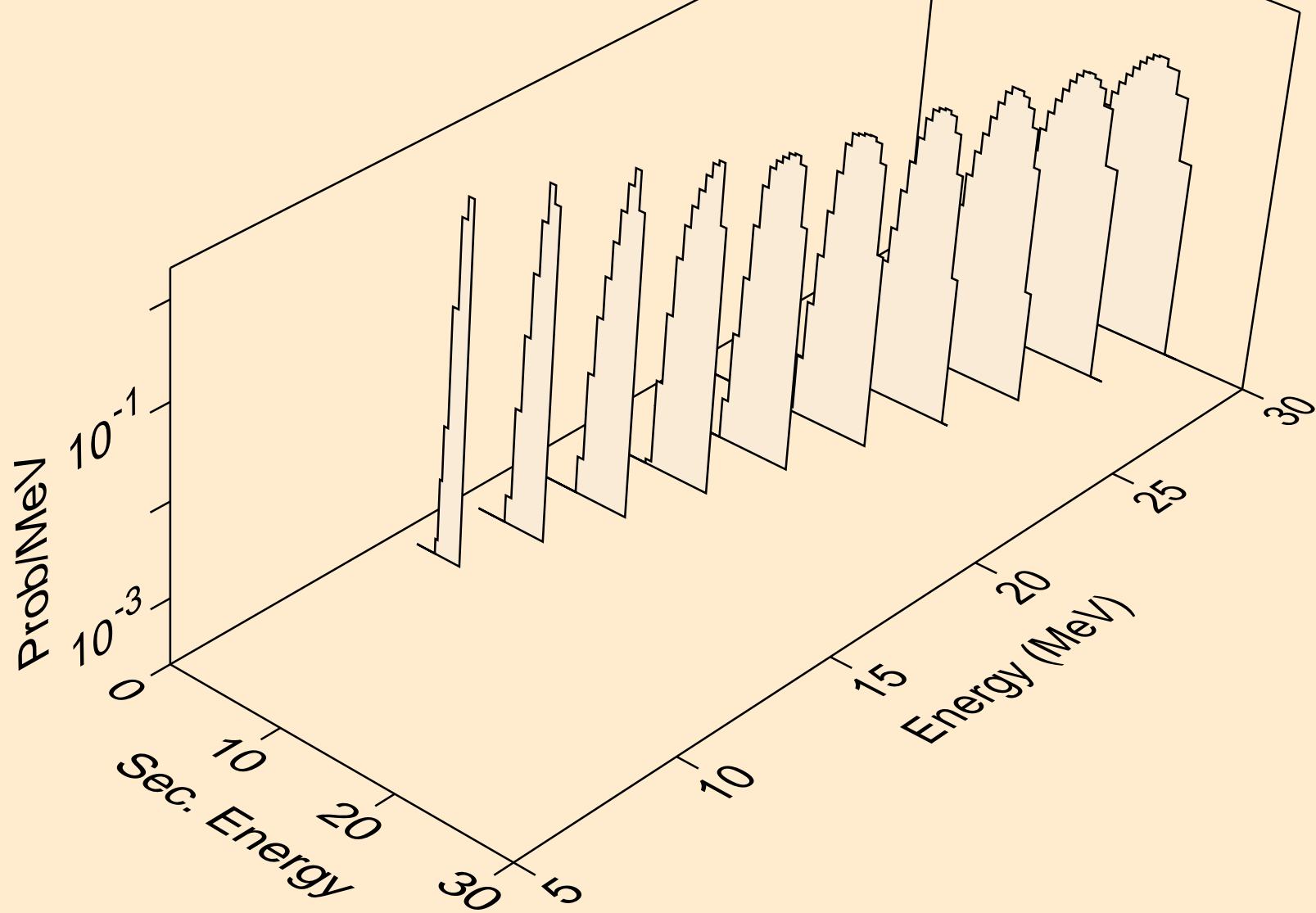




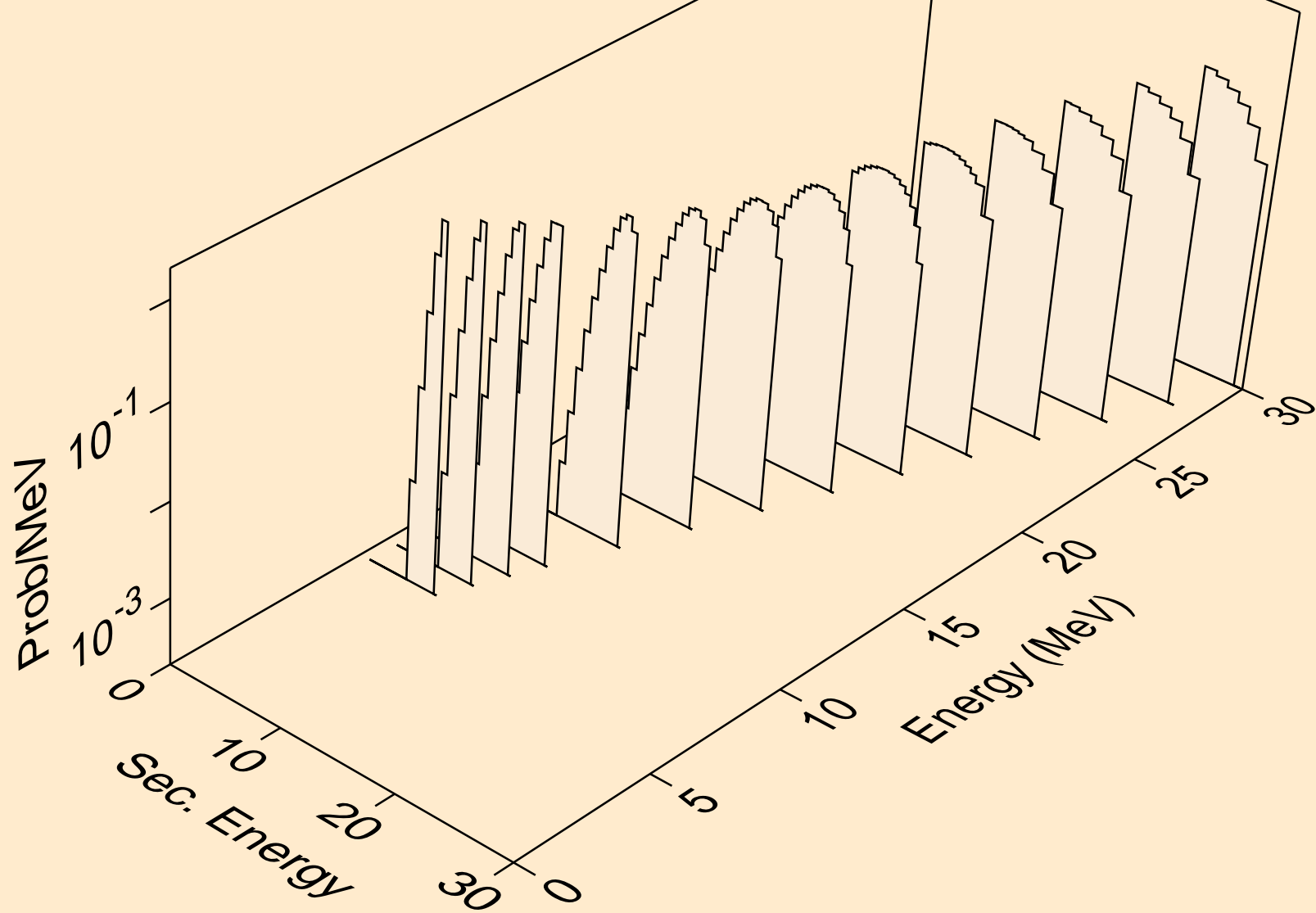
BH266 DEUTERON ACER TENDL-2021 LIBRARY; T=0.K  
Deuteron emission for (d,x)



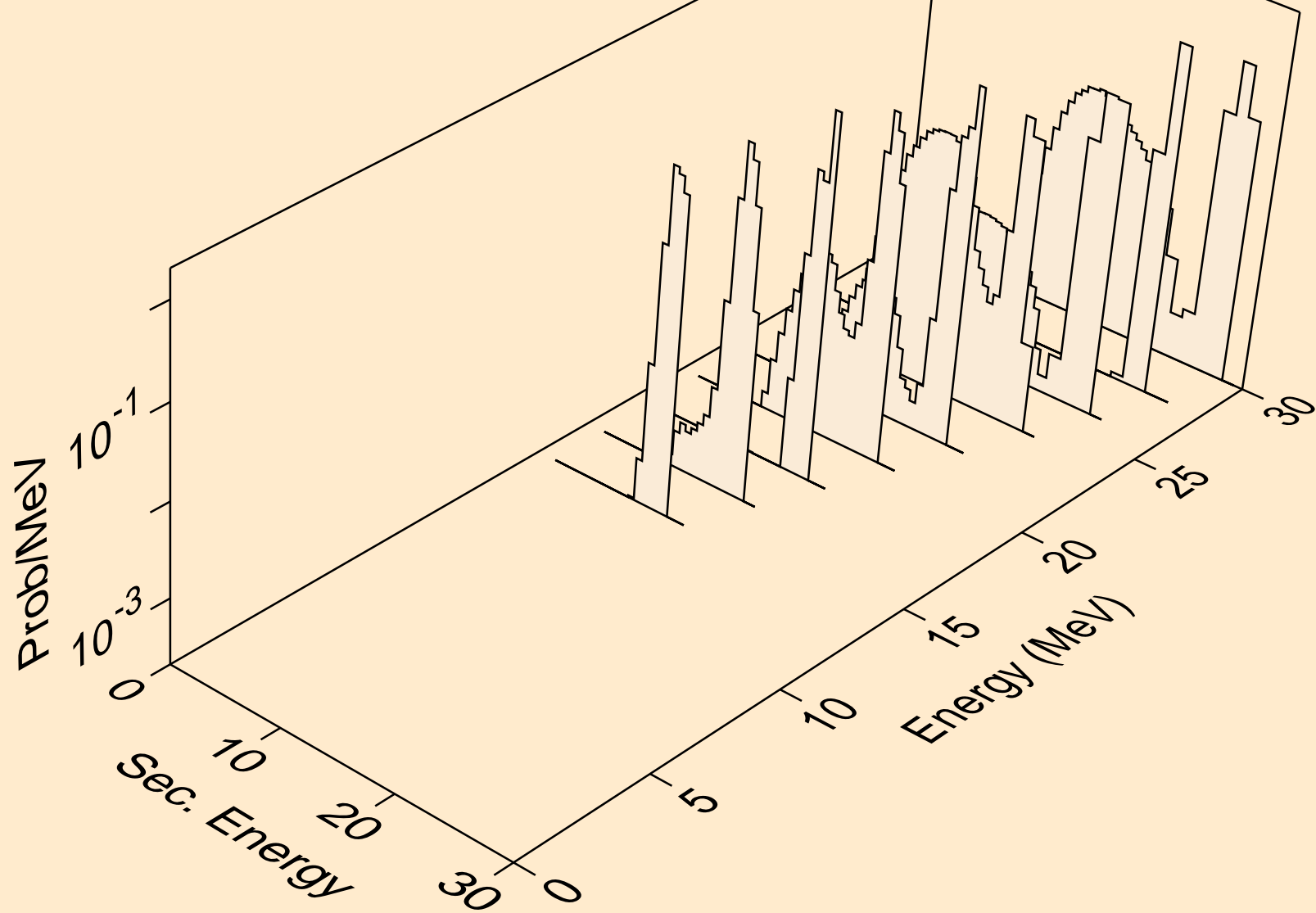
BH266 DEUTERON ACER TENDL-2021 LIBRARY; T=0.K  
Deuteron emission for (d,n\*)d



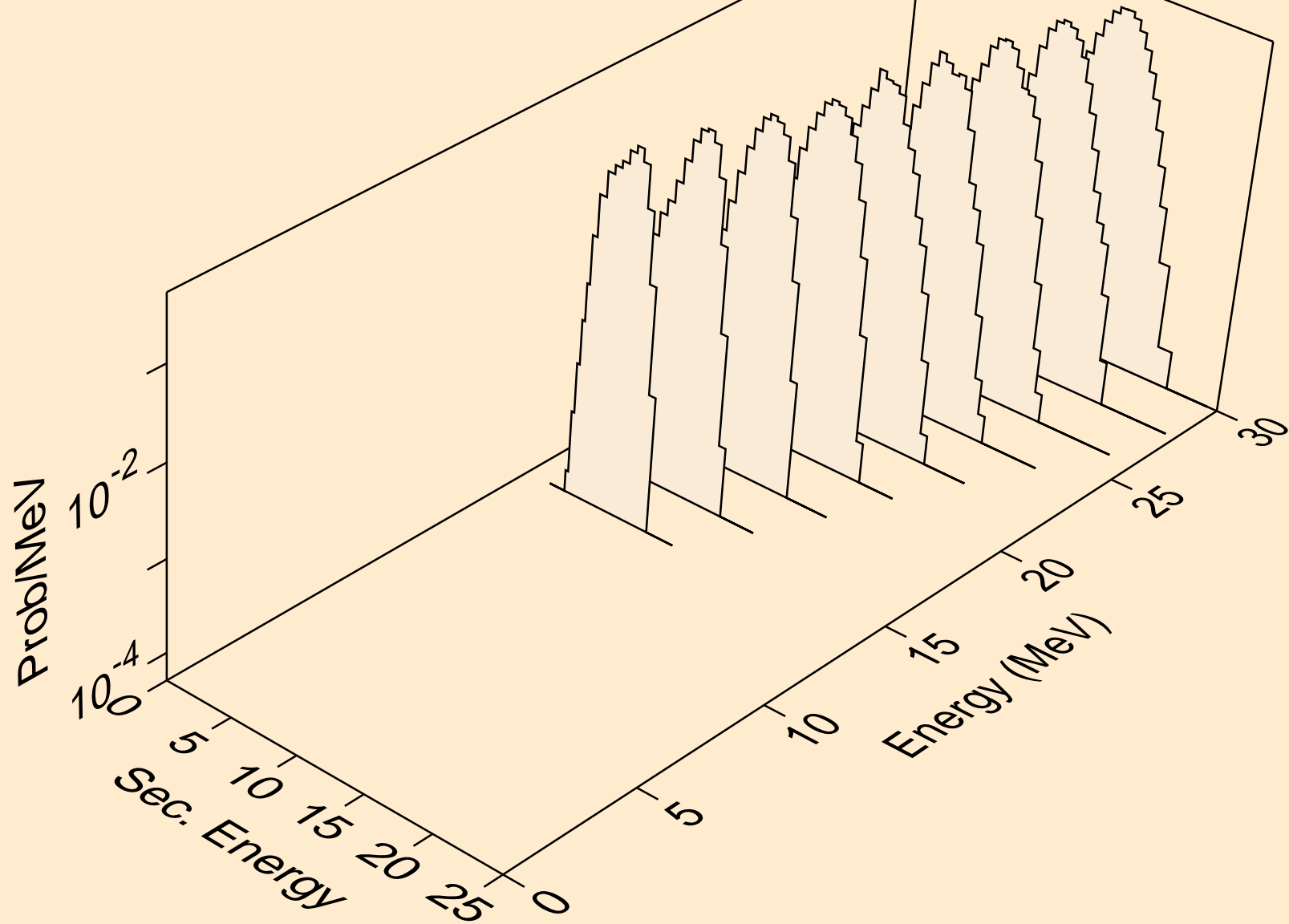
BH266 DEUTERON ACER TENDL-2021 LIBRARY; T=0.K  
Deuteron emission for inelastic



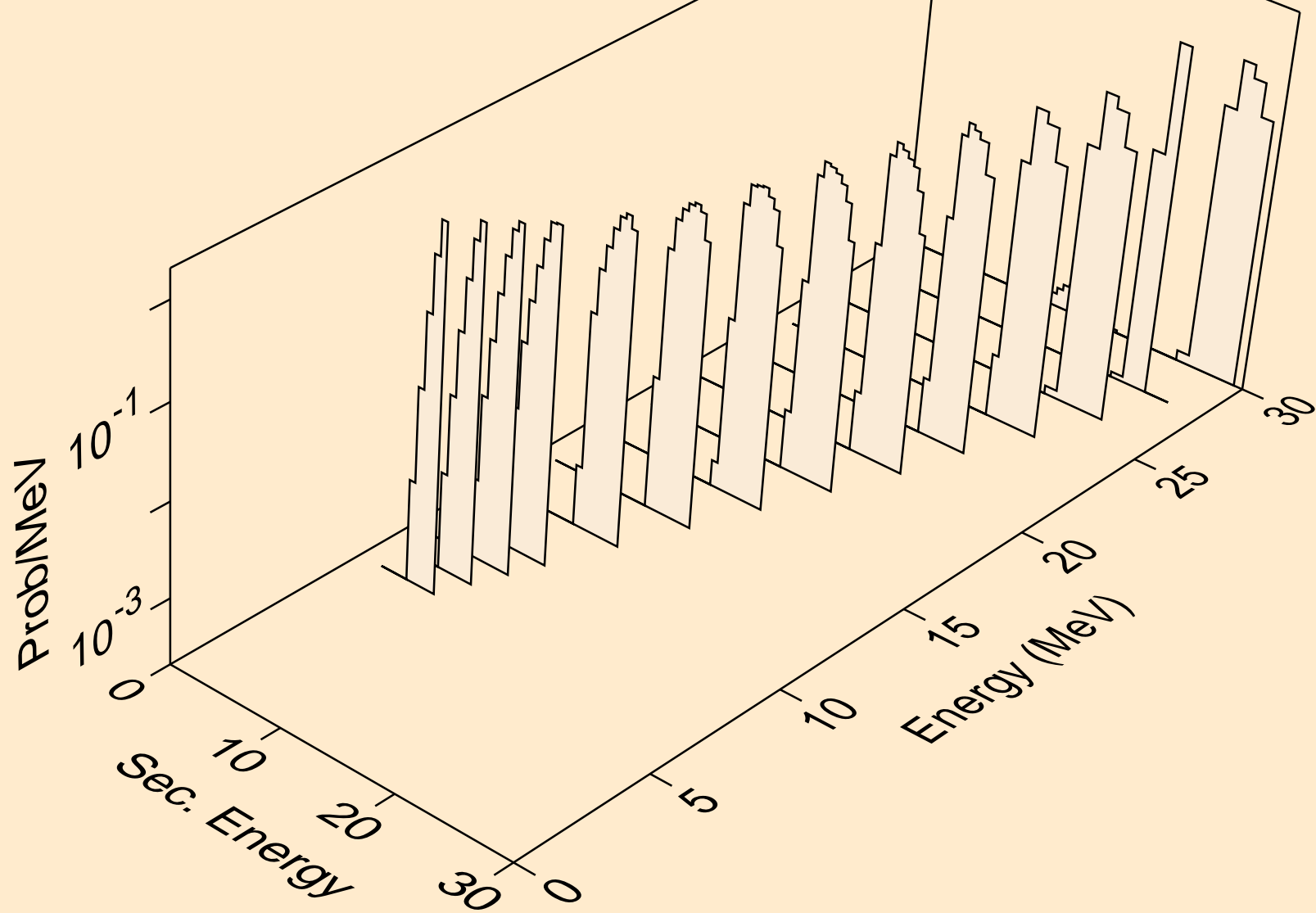
BH266 DEUTERON ACER TENDL-2021 LIBRARY; T=0.K  
Deuteron emission for (d,d2a)



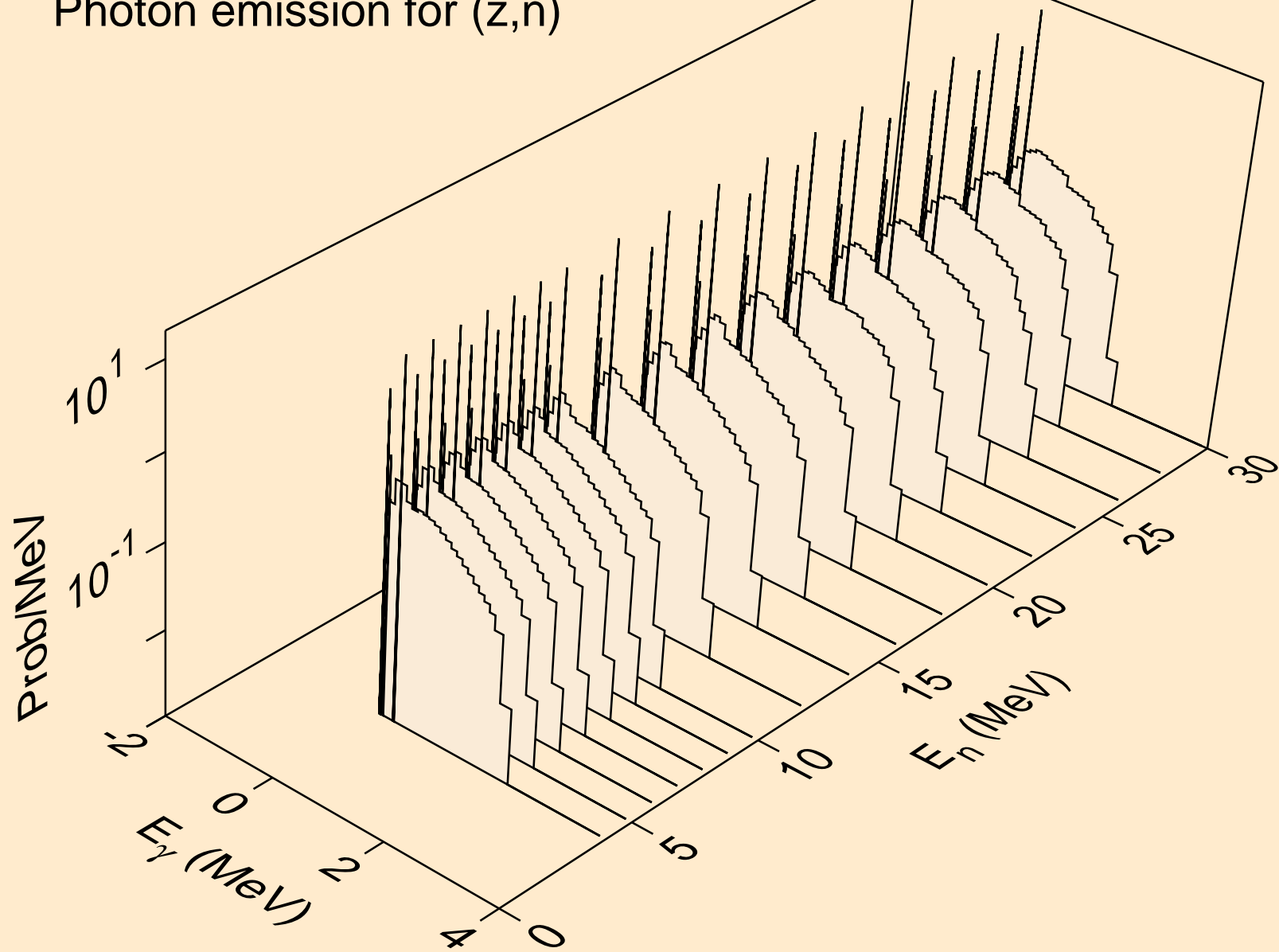
BH266 DEUTERON ACER TENDL-2021 LIBRARY; T=0.K  
Deuteron emission for (d,pd)



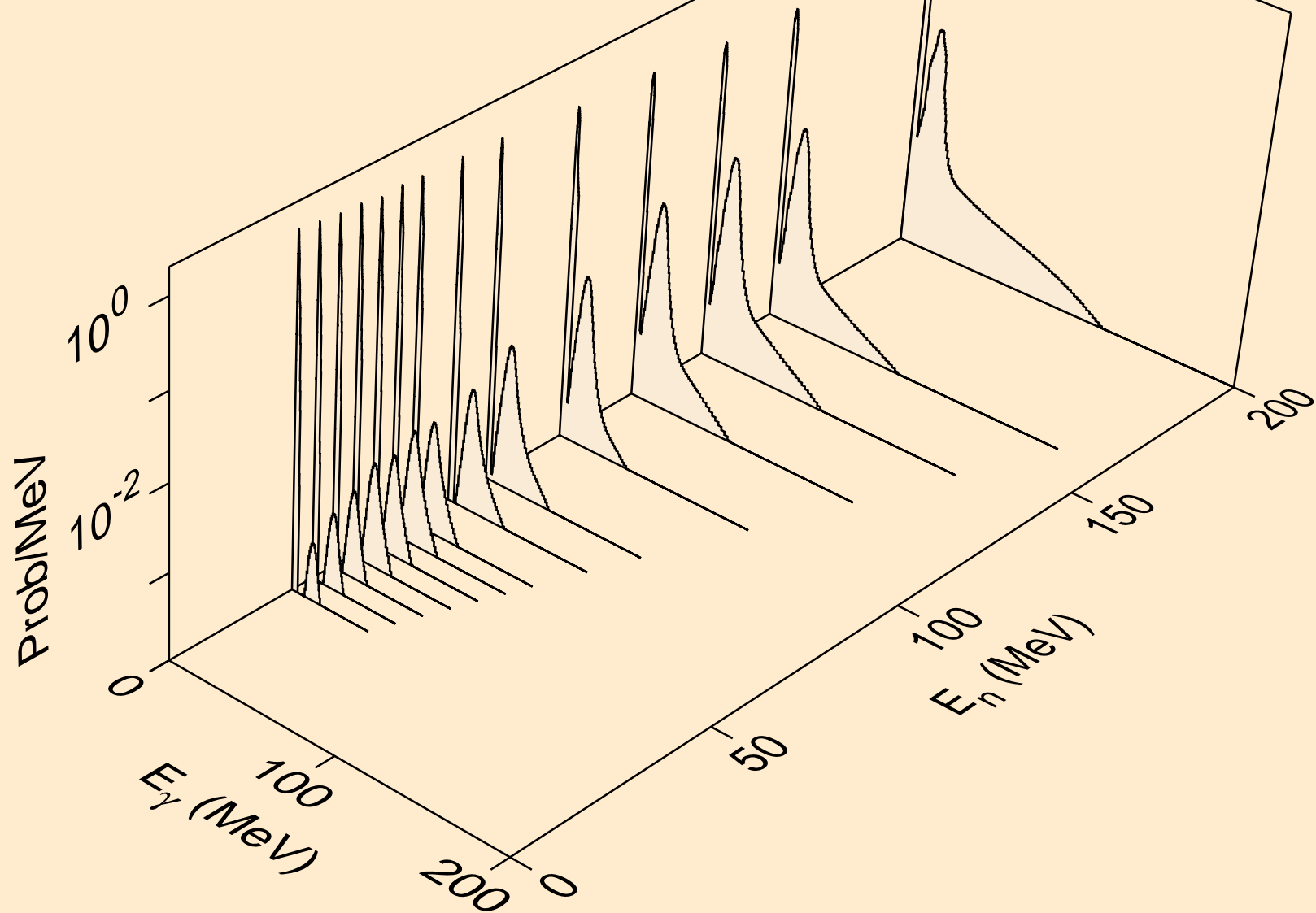
BH266 DEUTERON ACER TENDL-2021 LIBRARY; T=0.K  
Deuteron emission for (d,da)



BH266 DEUTERON ACER TENDL-2021 LIBRARY; T=0.K  
Photon emission for (z,n)

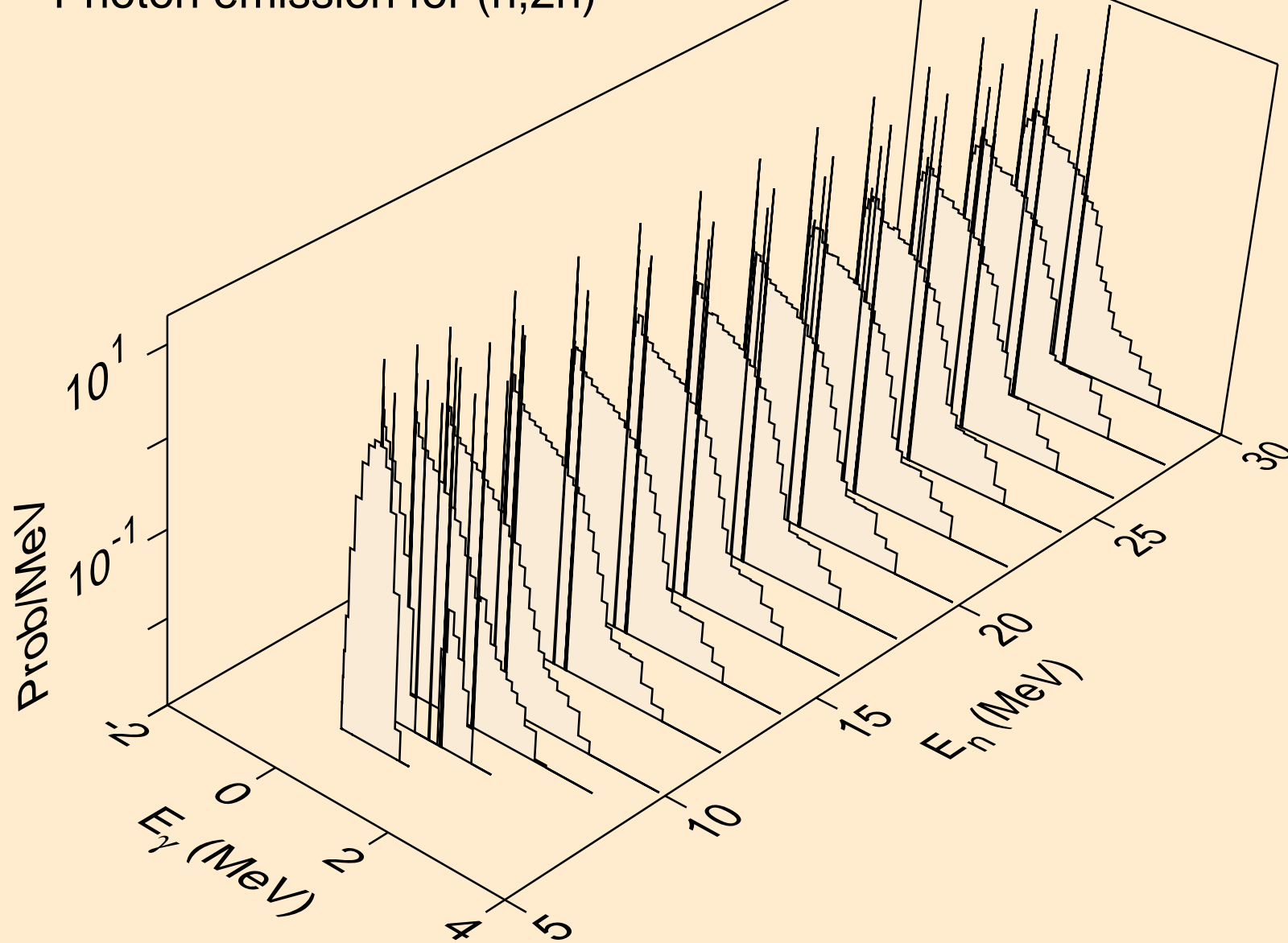


BH266 DEUTERON ACER TENDL-2021 LIBRARY; T=0.K  
Photon emission for (n,x)

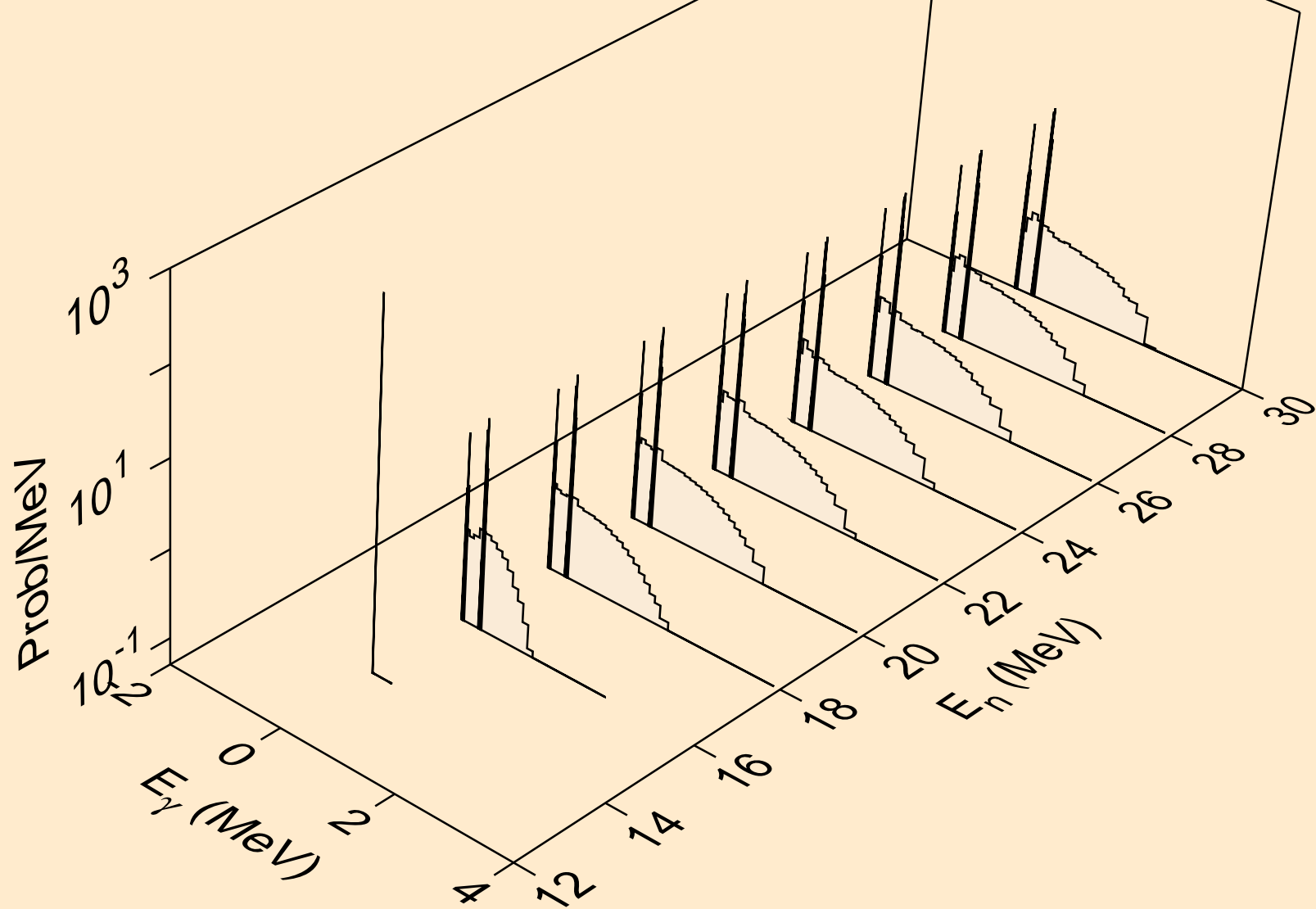




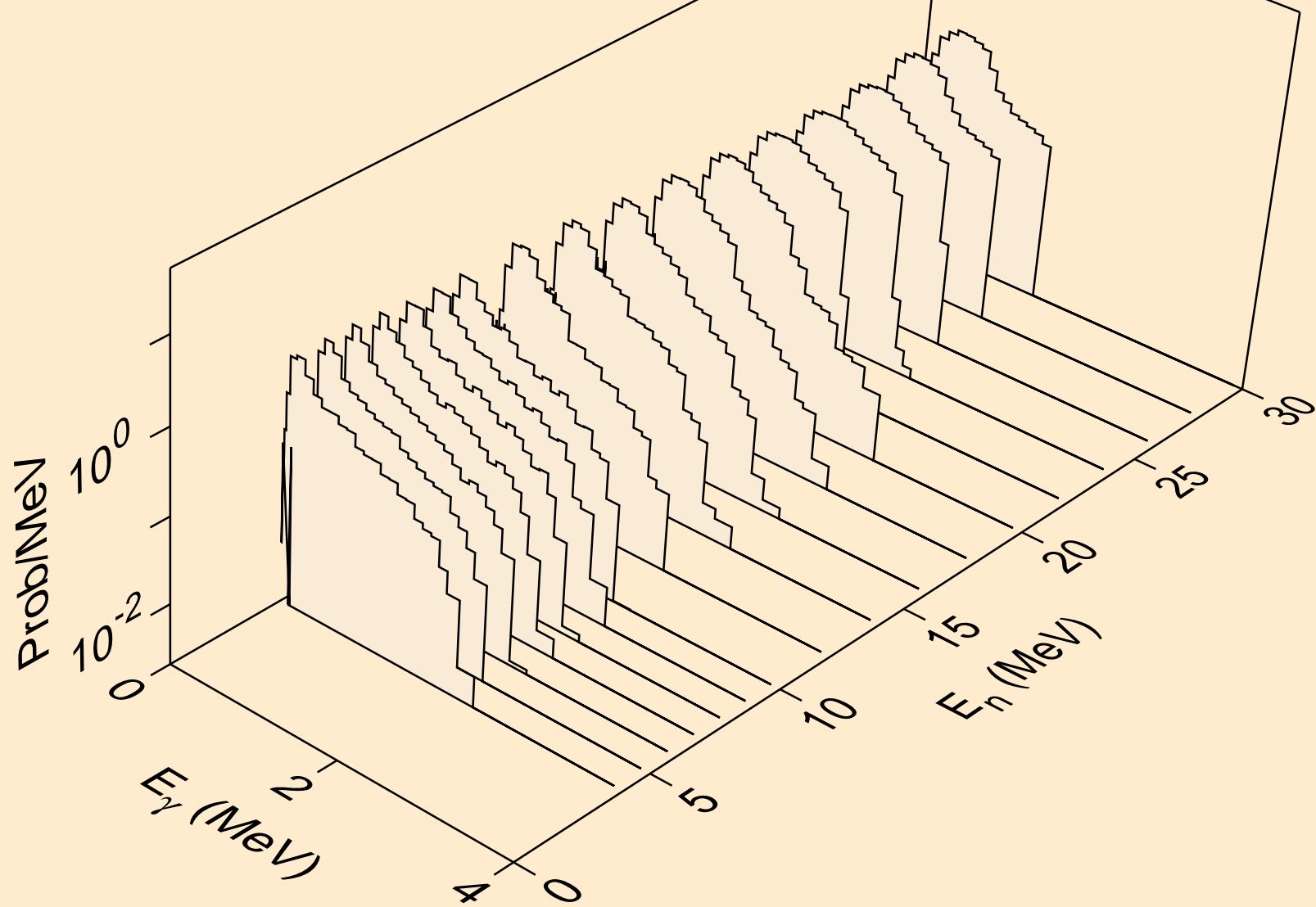
BH266 DEUTERON ACER TENDL-2021 LIBRARY; T=0.K  
Photon emission for (n,2n)



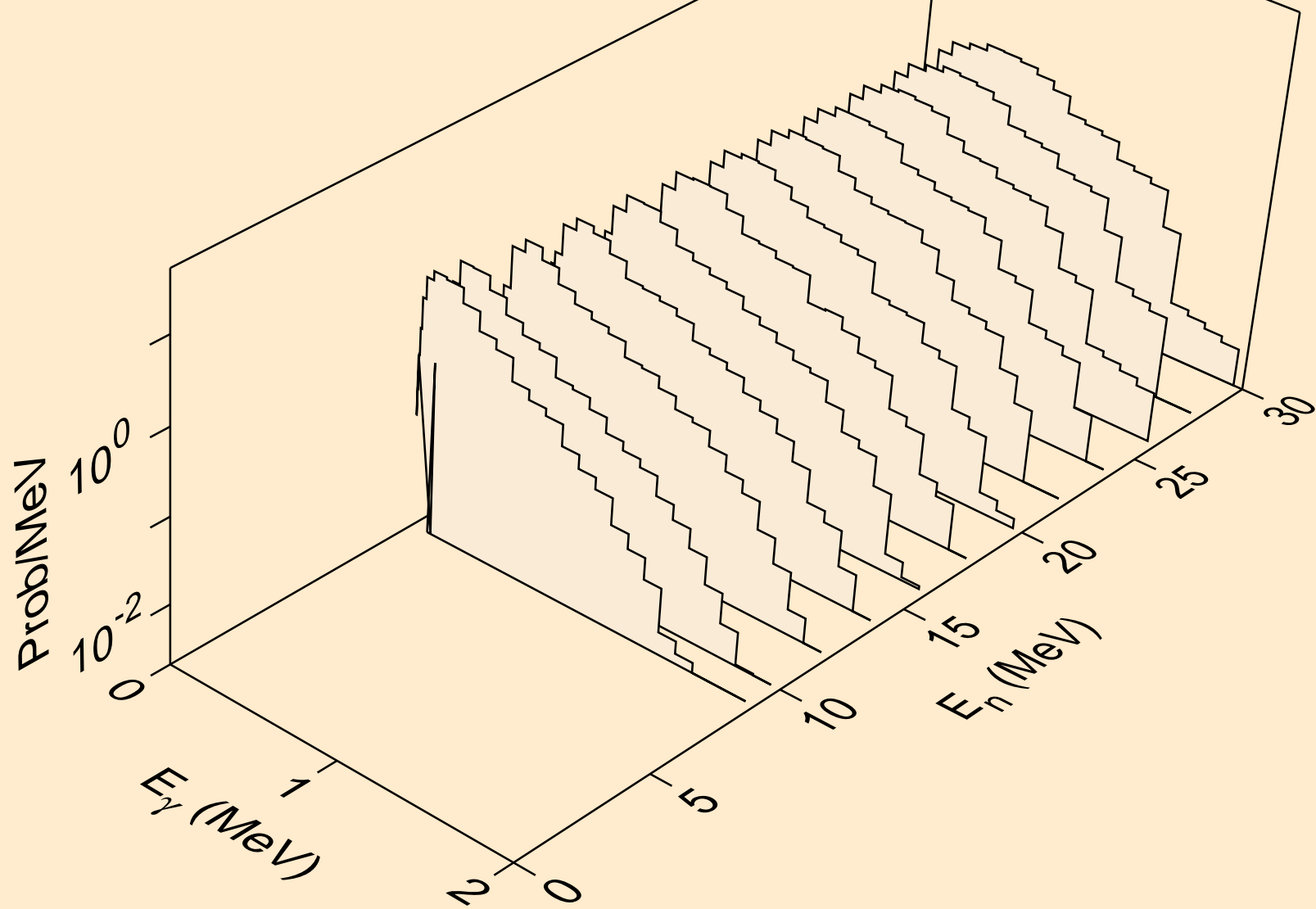
BH266 DEUTERON ACER TENDL-2021 LIBRARY; T=0.K  
Photon emission for (n,3n)



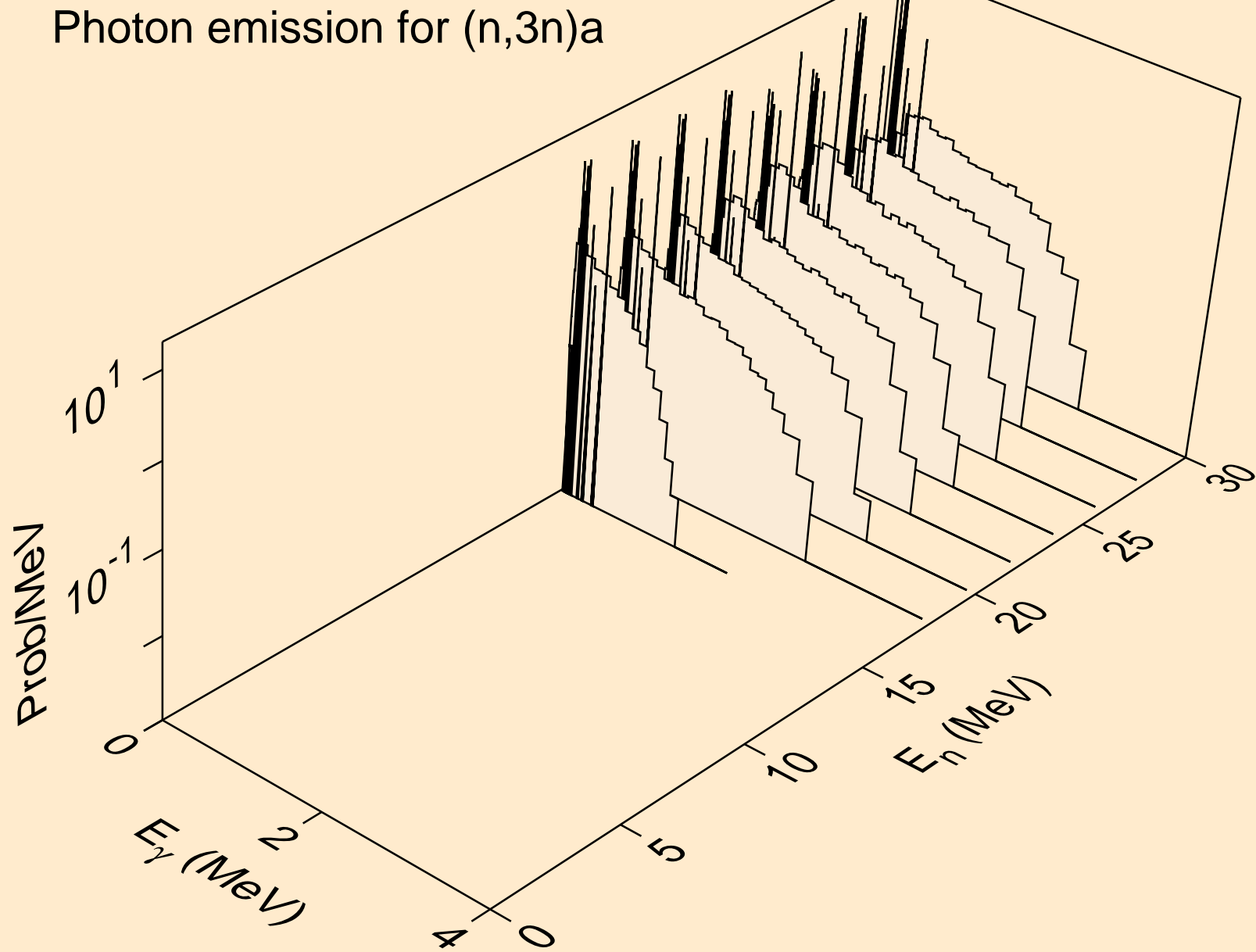
BH266 DEUTERON ACER TENDL-2021 LIBRARY; T=0.K  
Photon emission for (n,n\*)a



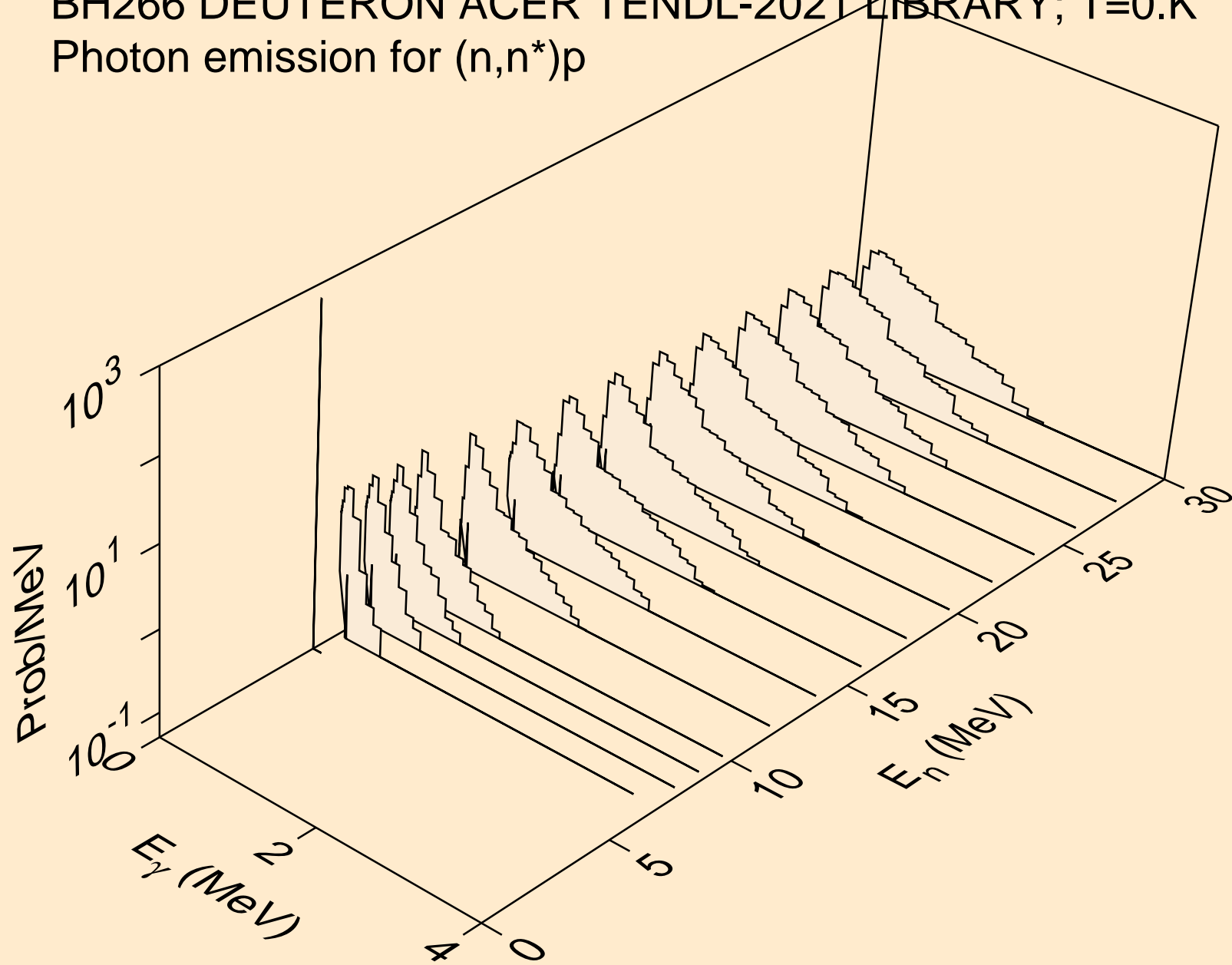
BH266 DEUTERON ACER TENDL-2021 LIBRARY; T=0.K  
Photon emission for (n,2n) $\alpha$



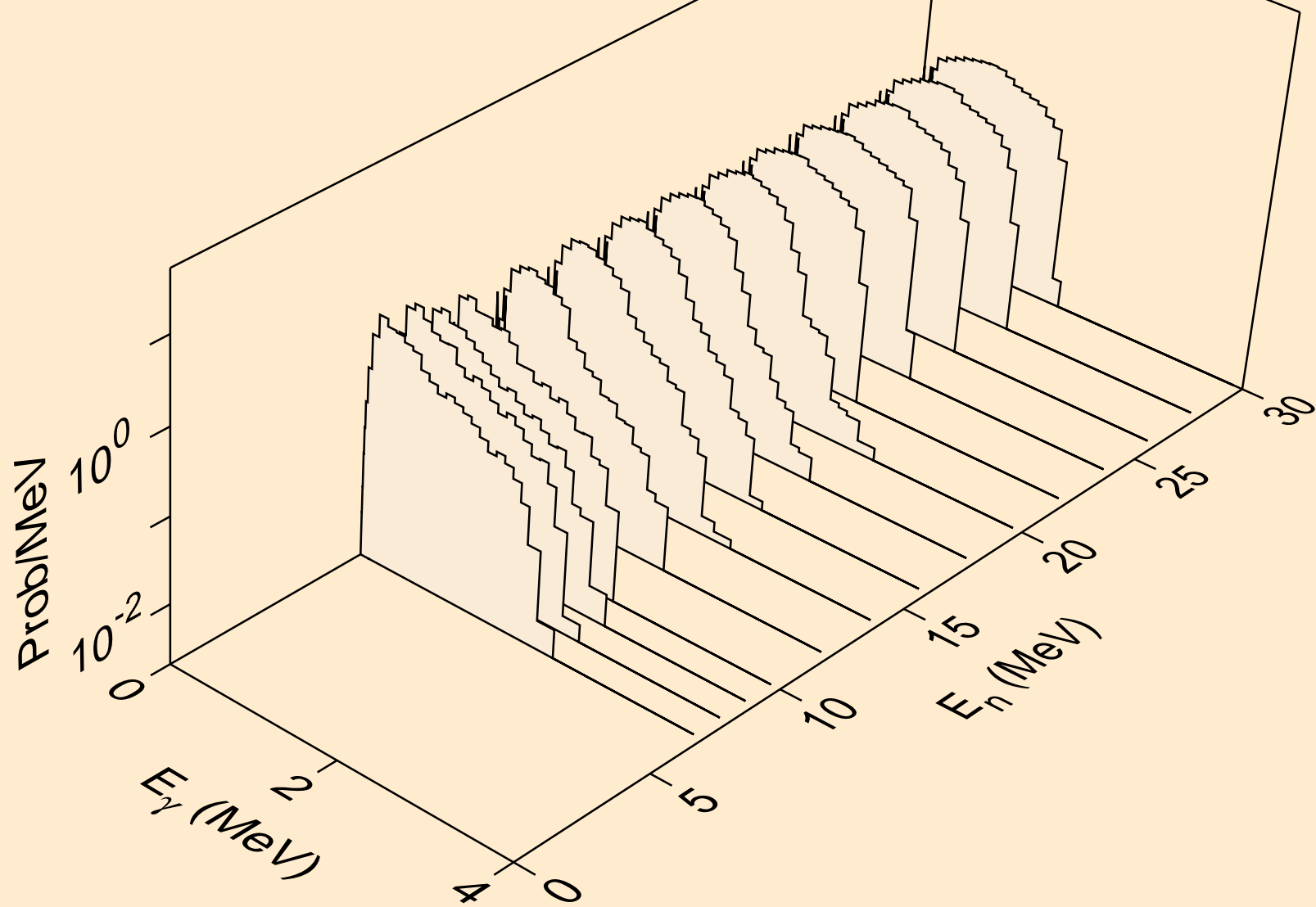
BH266 DEUTERON ACER TENDL-2021 LIBRARY; T=0.K  
Photon emission for (n,3n)a



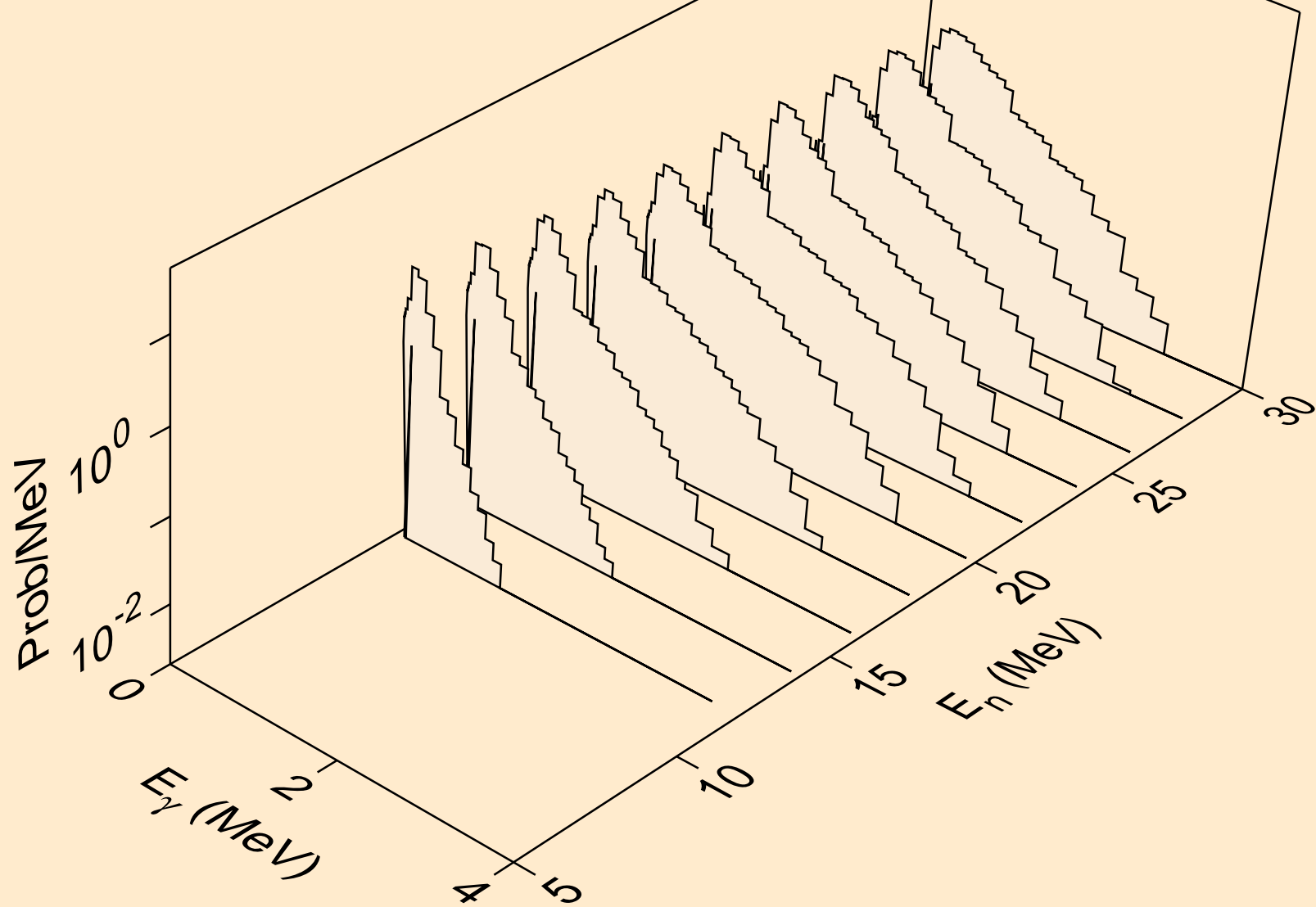
BH266 DEUTERON ACER TENDL-2021 LIBRARY; T=0.K  
Photon emission for (n,n\*)p



BH266 DEUTERON ACER TENDL-2021 LIBRARY; T=0.K  
Photon emission for (n,n\*)2a

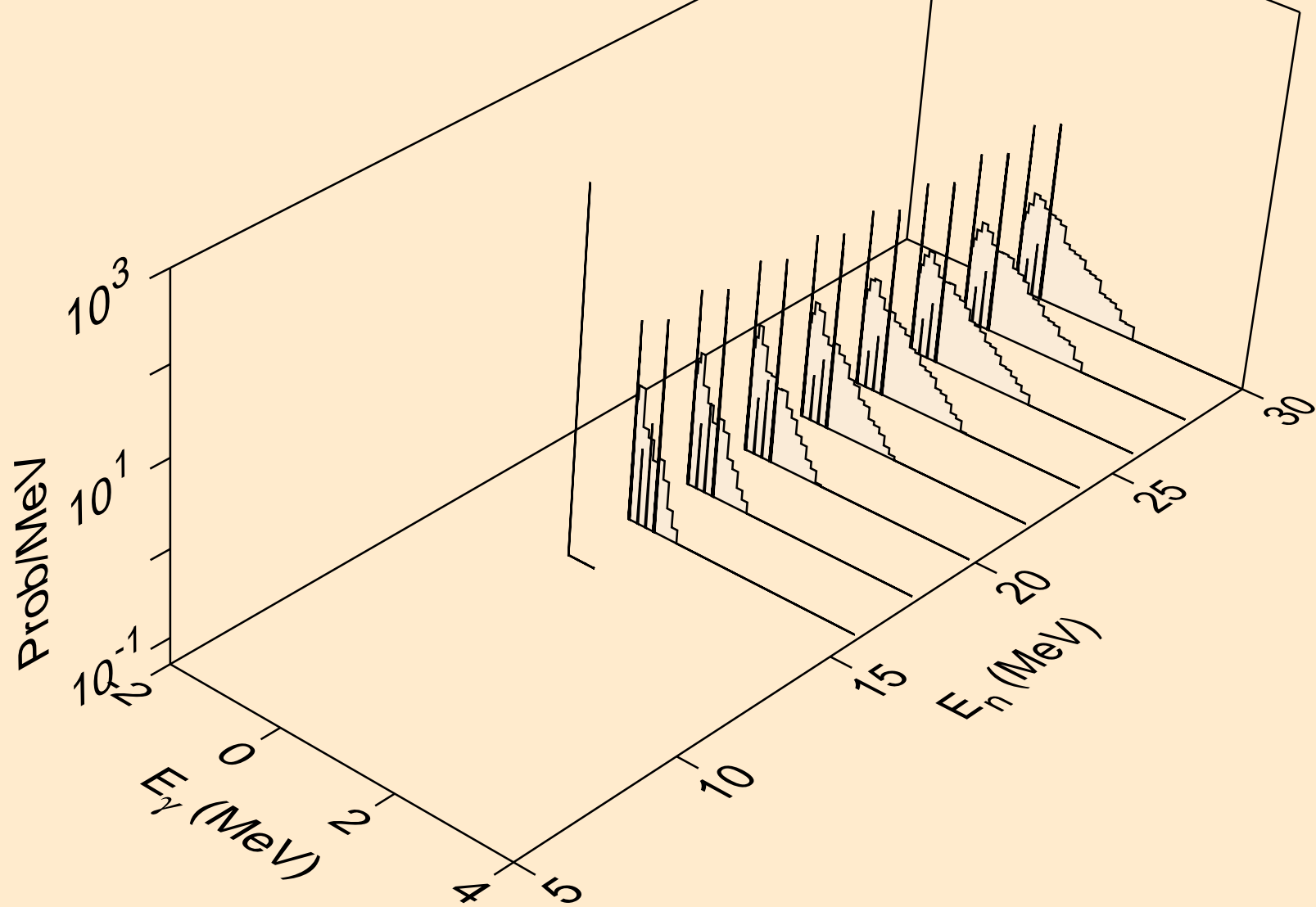


BH266 DEUTERON ACER TENDL-2021 LIBRARY; T=0.K  
Photon emission for (n,n\*)d

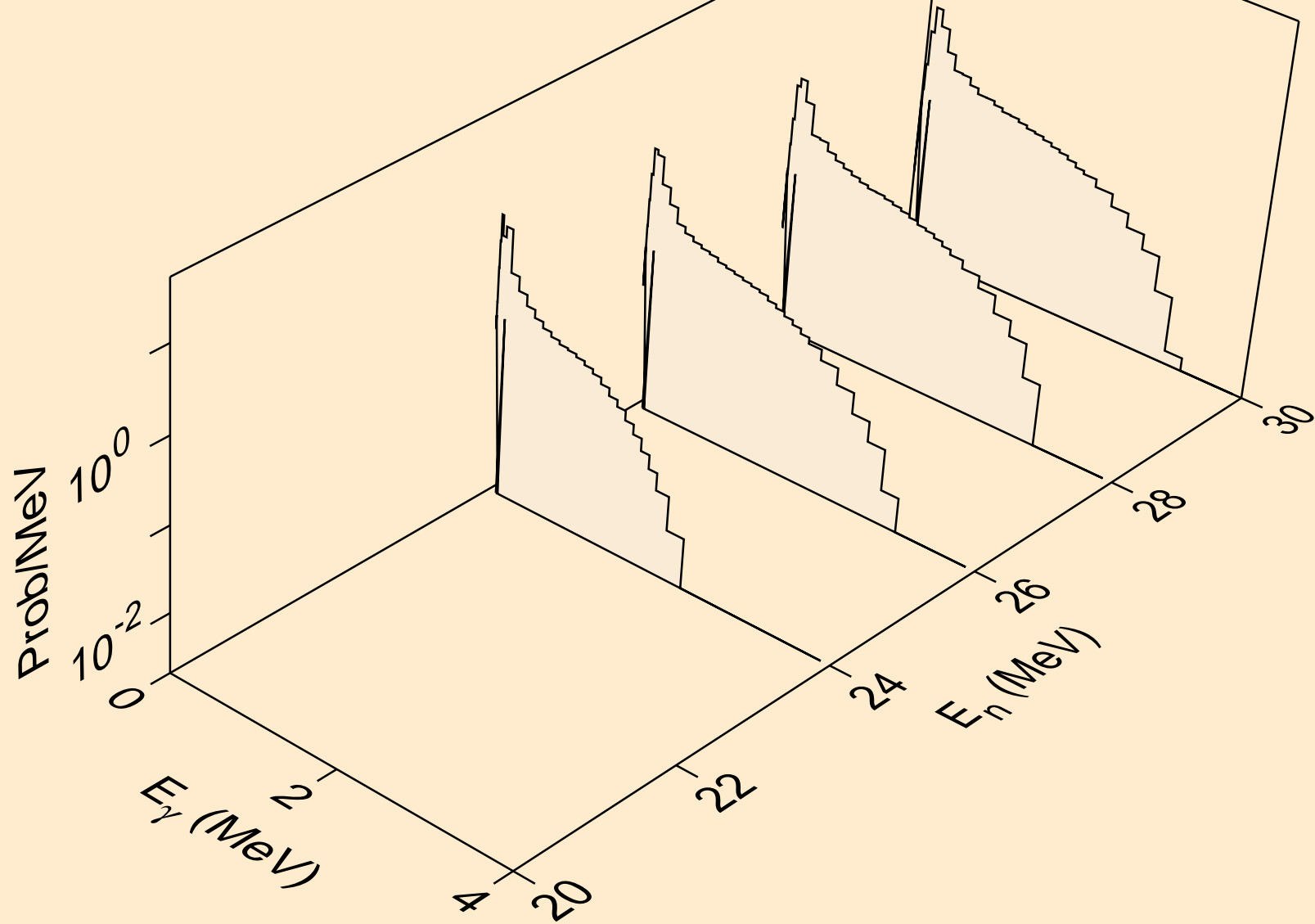




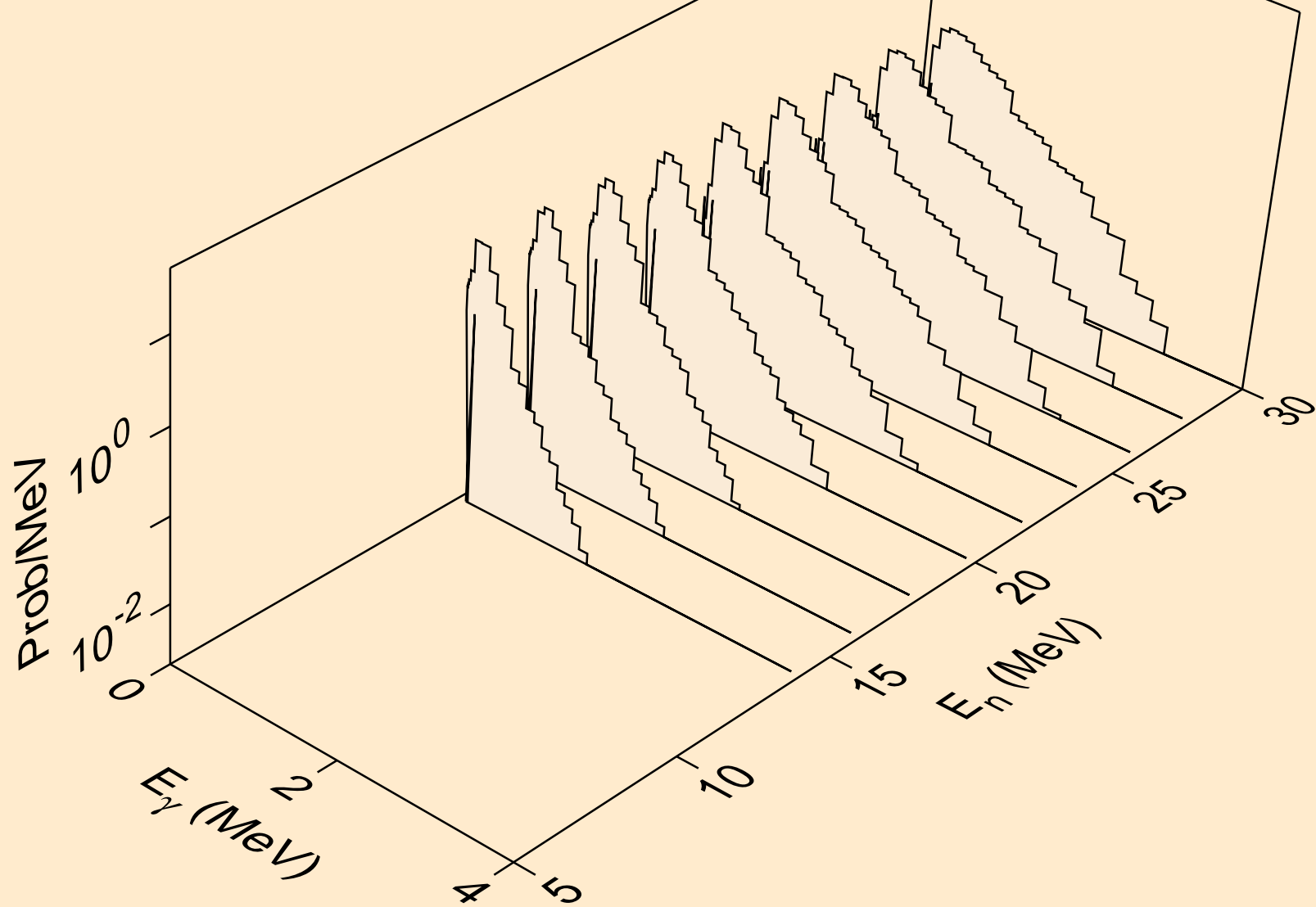
BH266 DEUTERON ACER TENDL-2021 LIBRARY; T=0.K  
Photon emission for (n,n\*)t



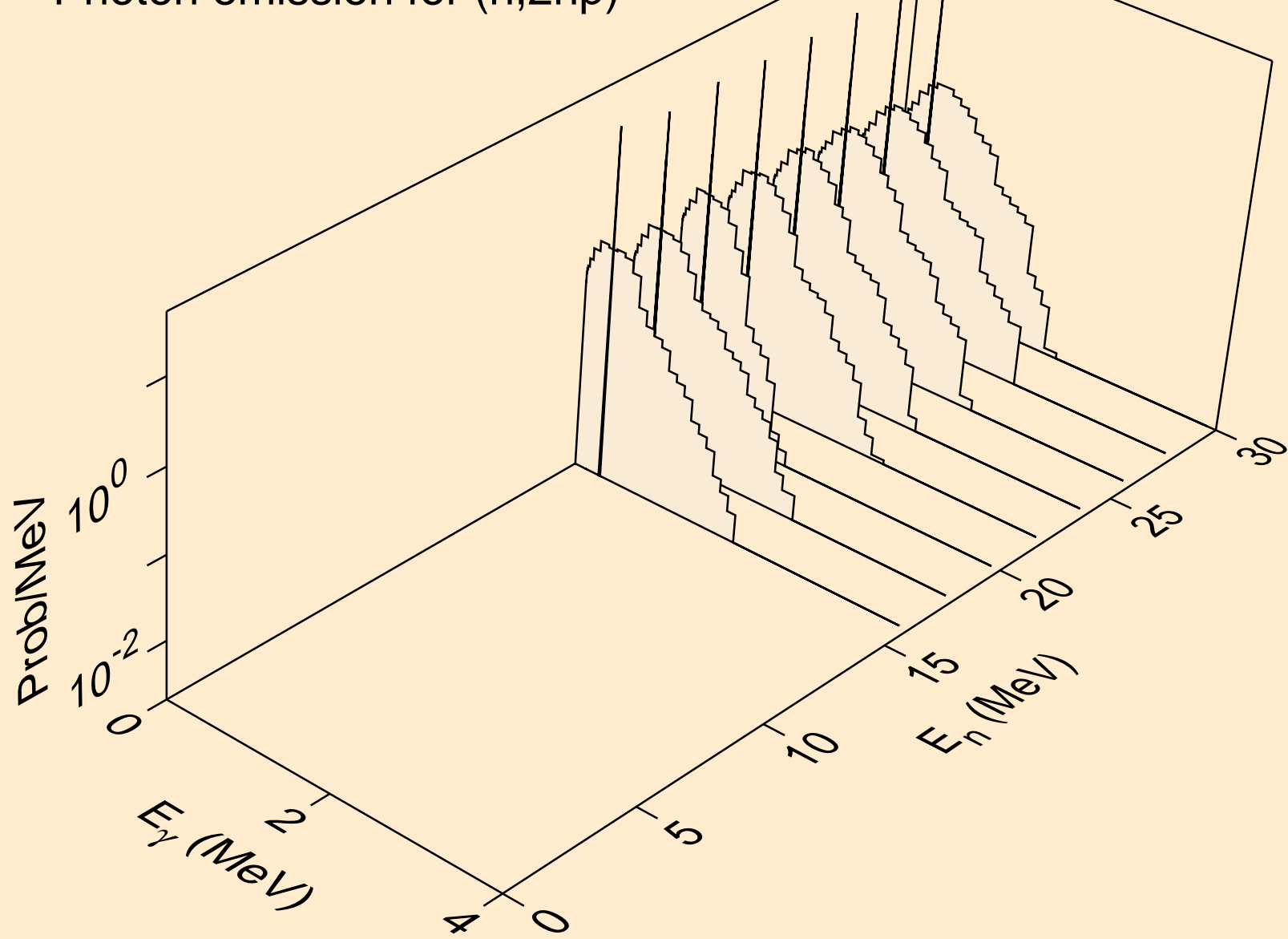
BH266 DEUTERON ACER TENDL-2021 LIBRARY; T=0.K  
Photon emission for (n,4n)



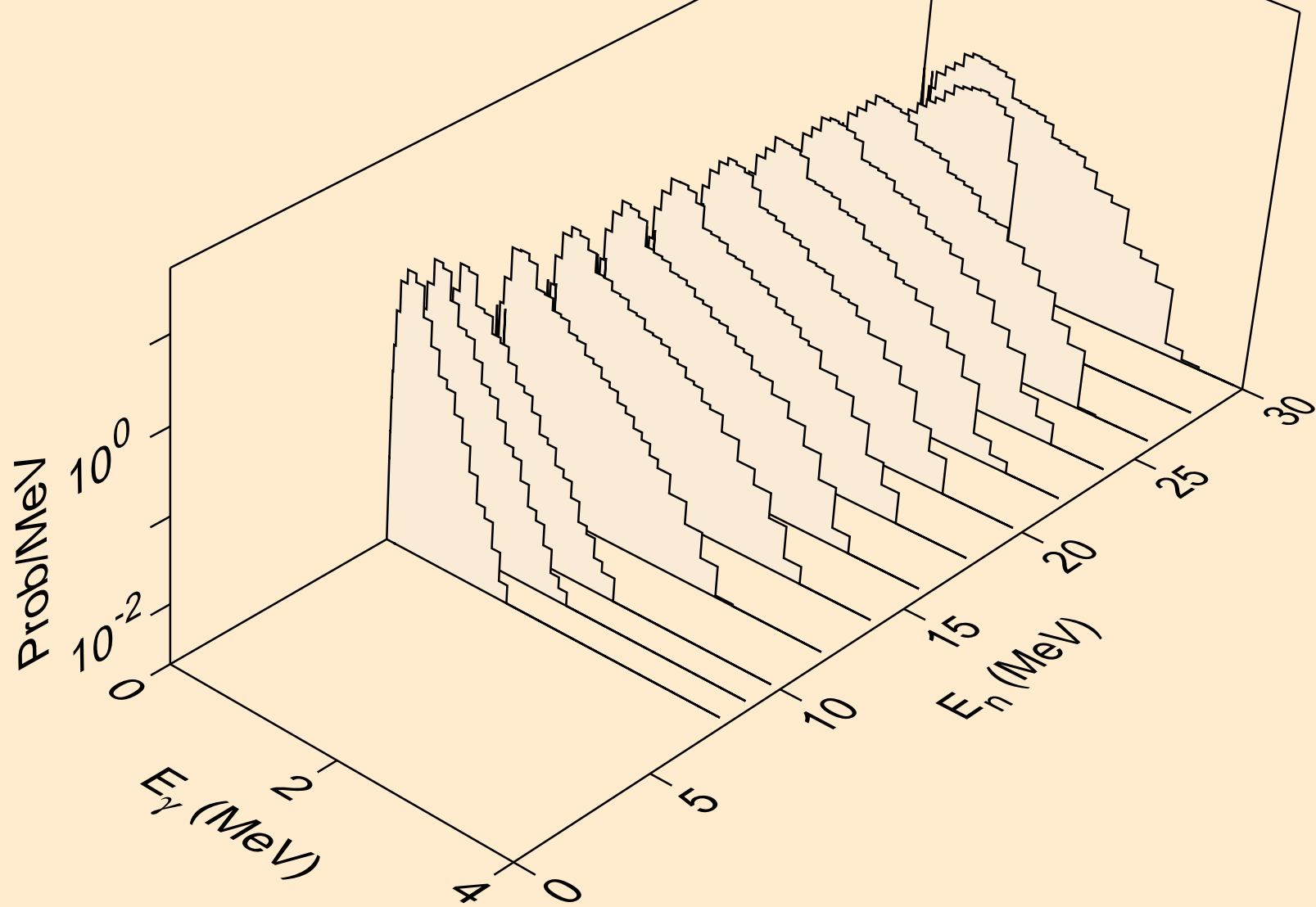
BH266 DEUTERON ACER TENDL-2021 LIBRARY; T=0.K  
Photon emission for (n,2np)



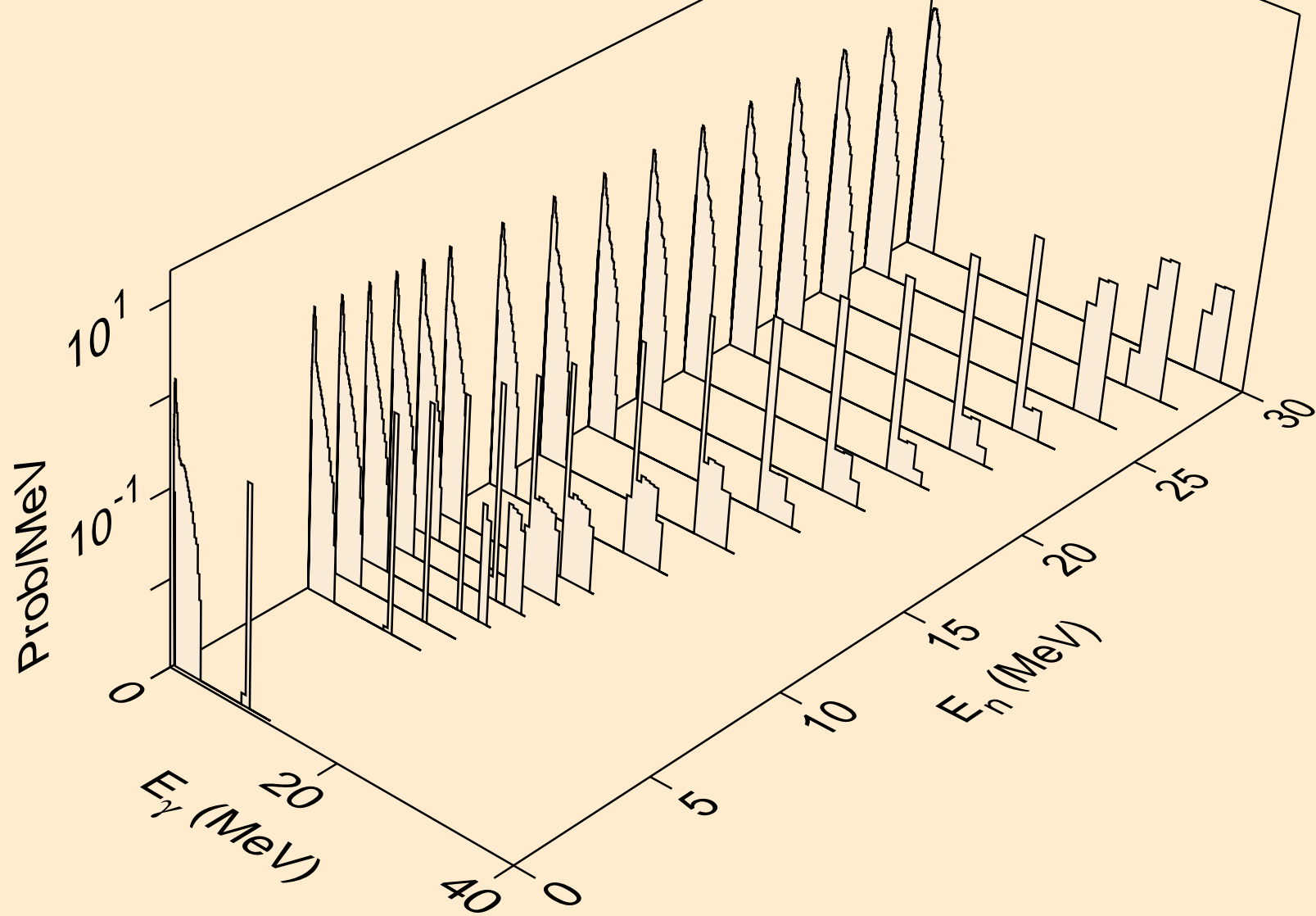
BH266 DEUTERON ACER TENDL-2021 LIBRARY; T=0.K  
Photon emission for (n,2np)



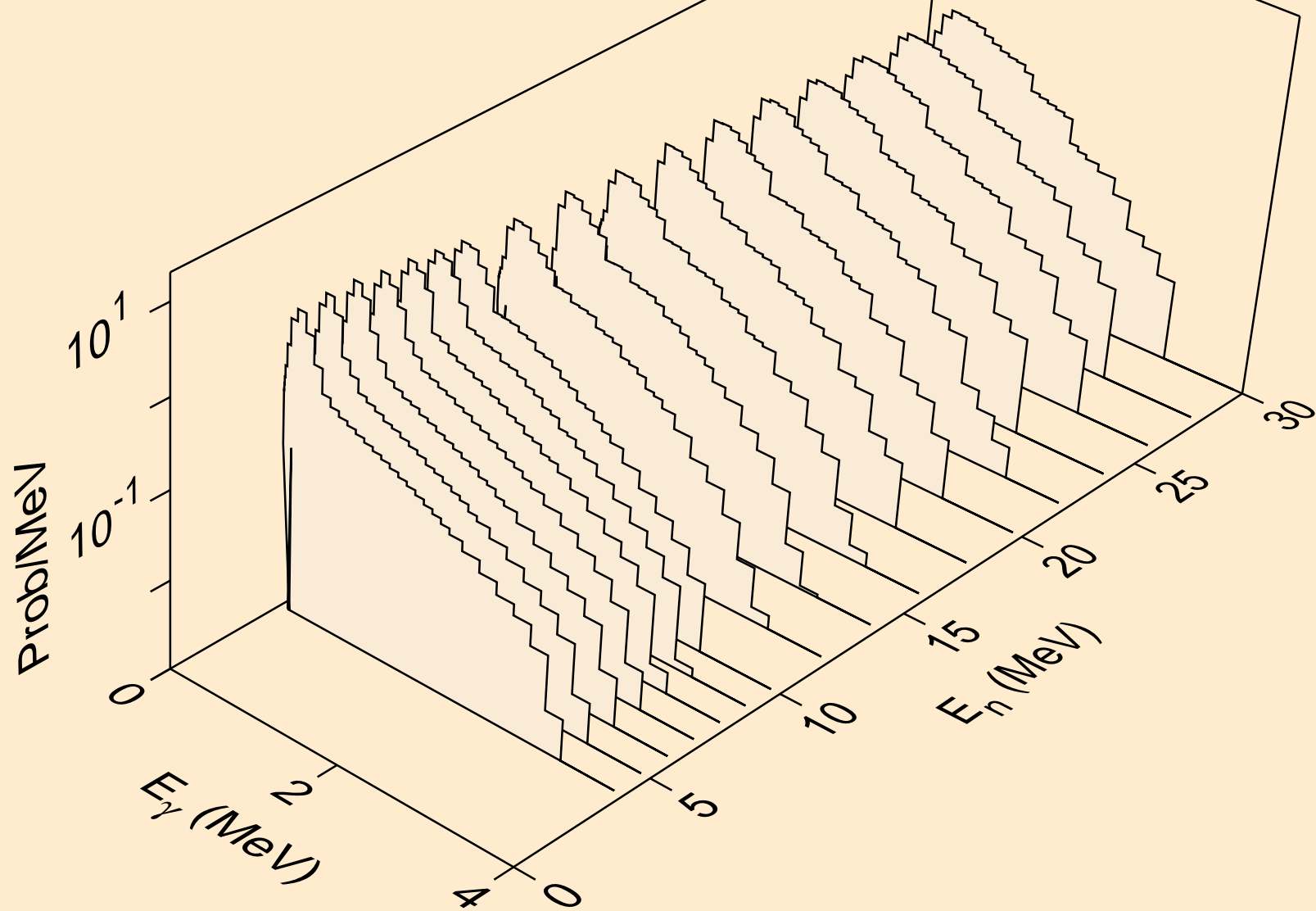
BH266 DEUTERON ACER TENDL-2021 LIBRARY; T=0.K  
Photon emission for (n,npa)



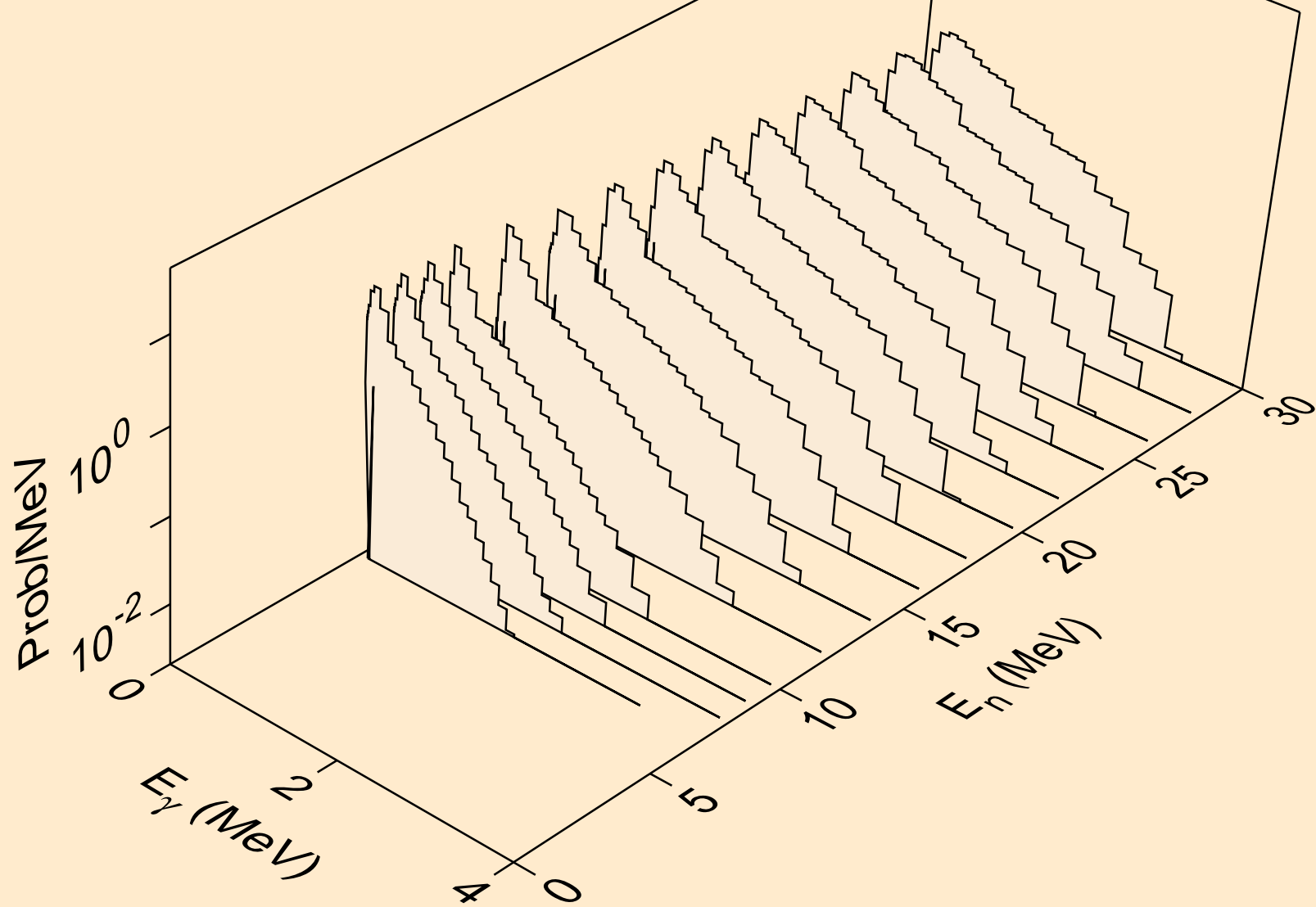
BH266 DEUTERON ACER TENDL-2021 LIBRARY; T=0.K  
Photon emission for (n,gma)



BH266 DEUTERON ACER TENDL-2021 LIBRARY; T=0.K  
Photon emission for (n,p)

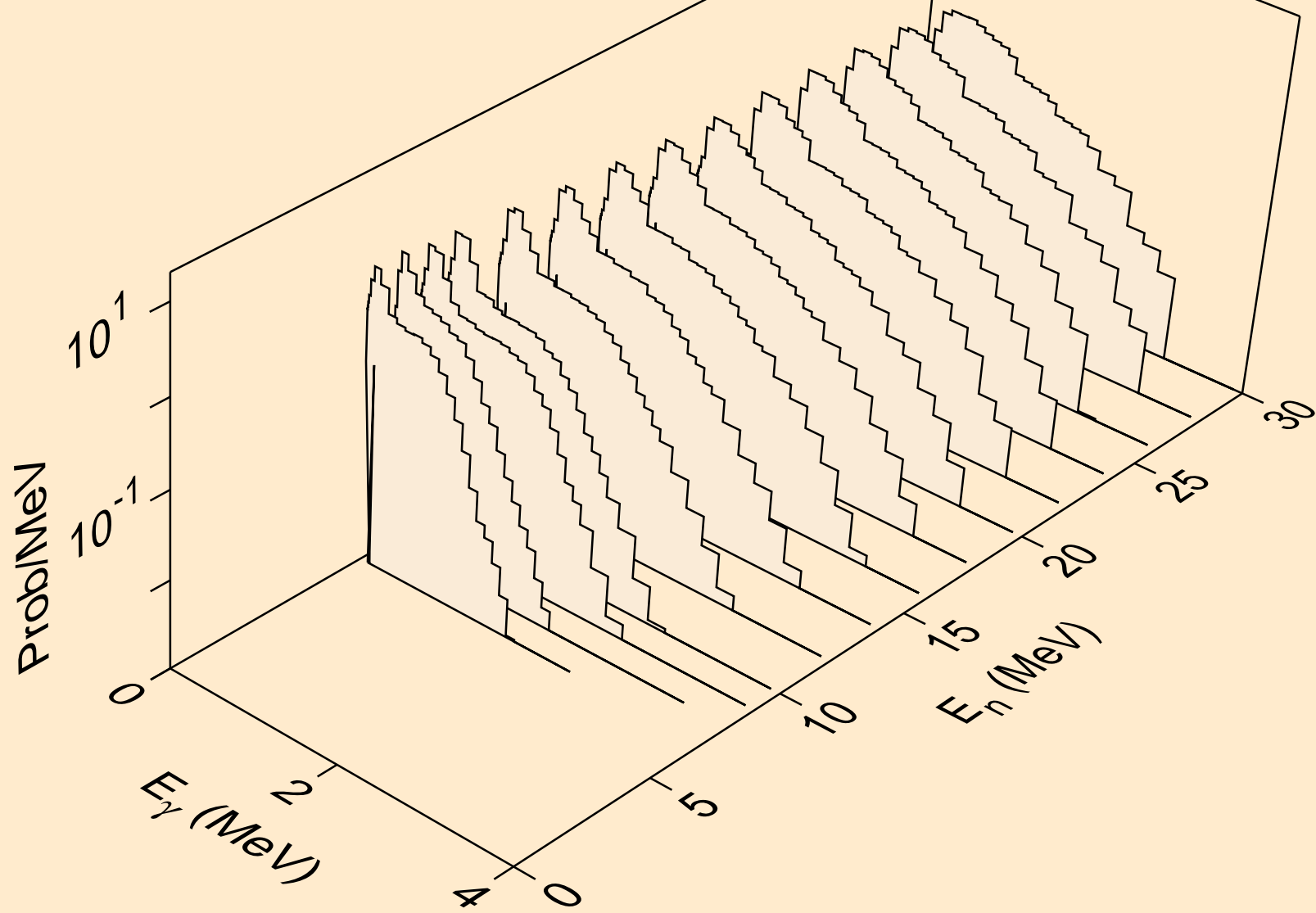


BH266 DEUTERON ACER TENDL-2021 LIBRARY; T=0.K  
Photon emission for inelastic

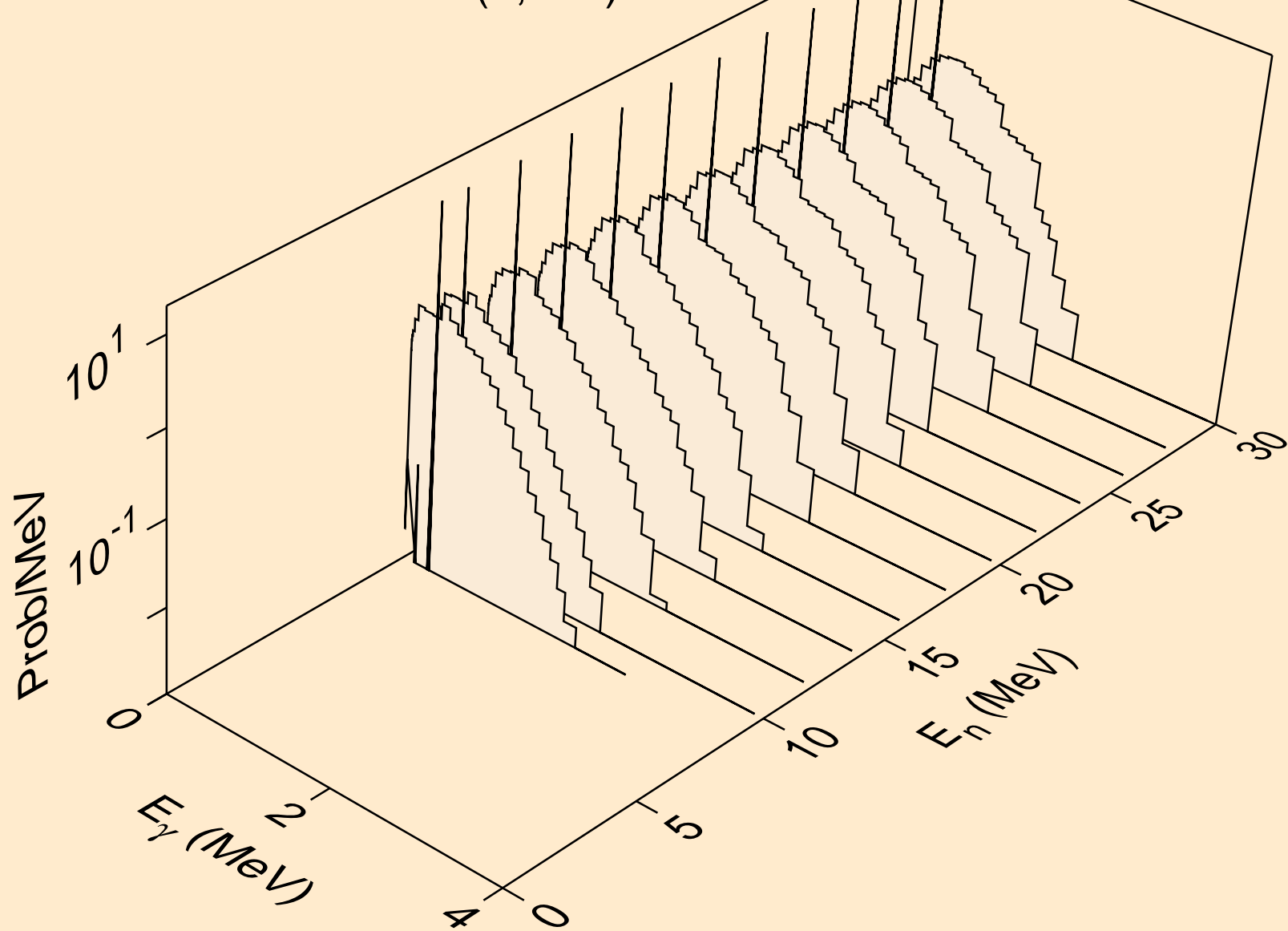




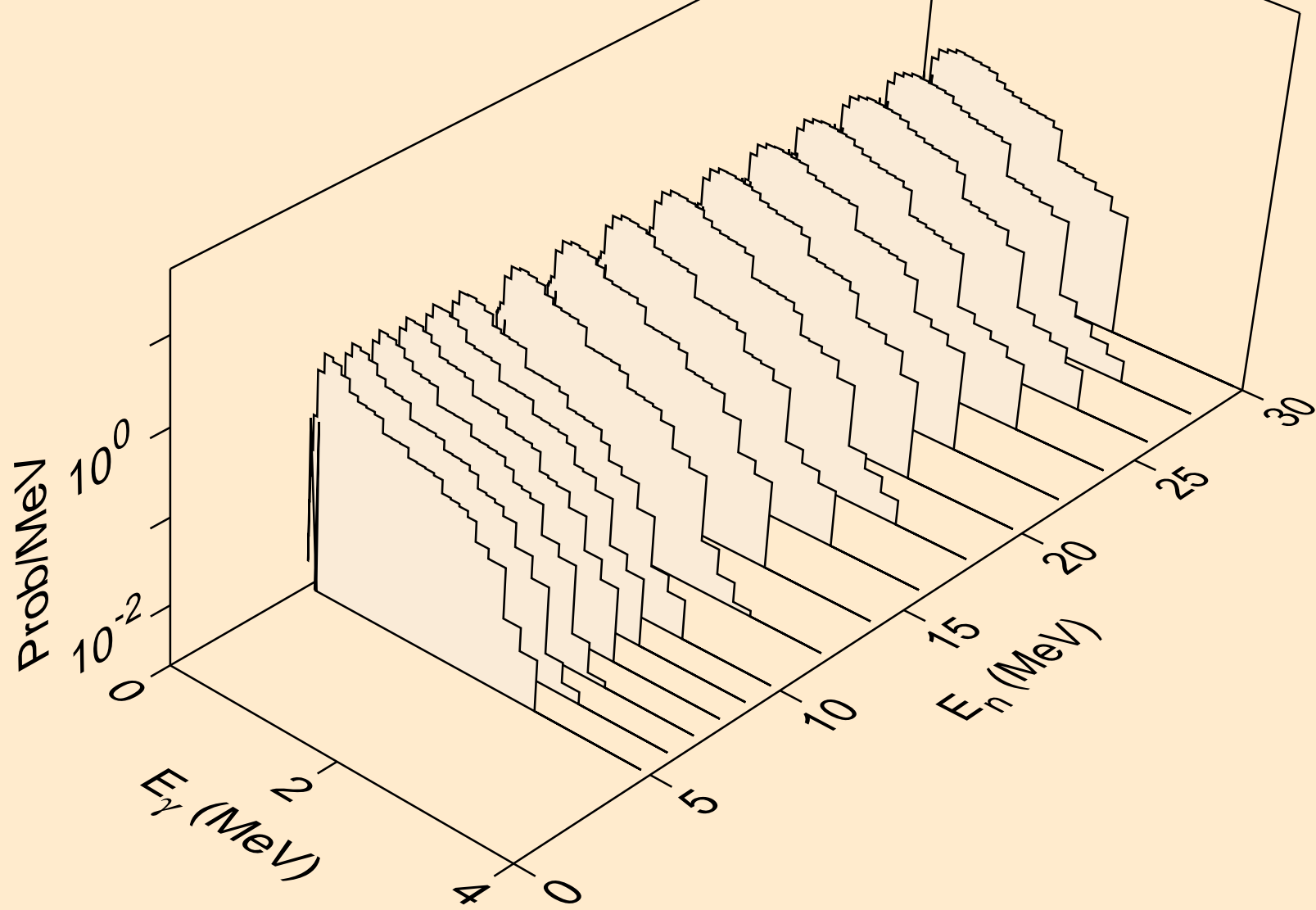
BH266 DEUTERON ACER TENDL-2021 LIBRARY; T=0.K  
Photon emission for (n,t)



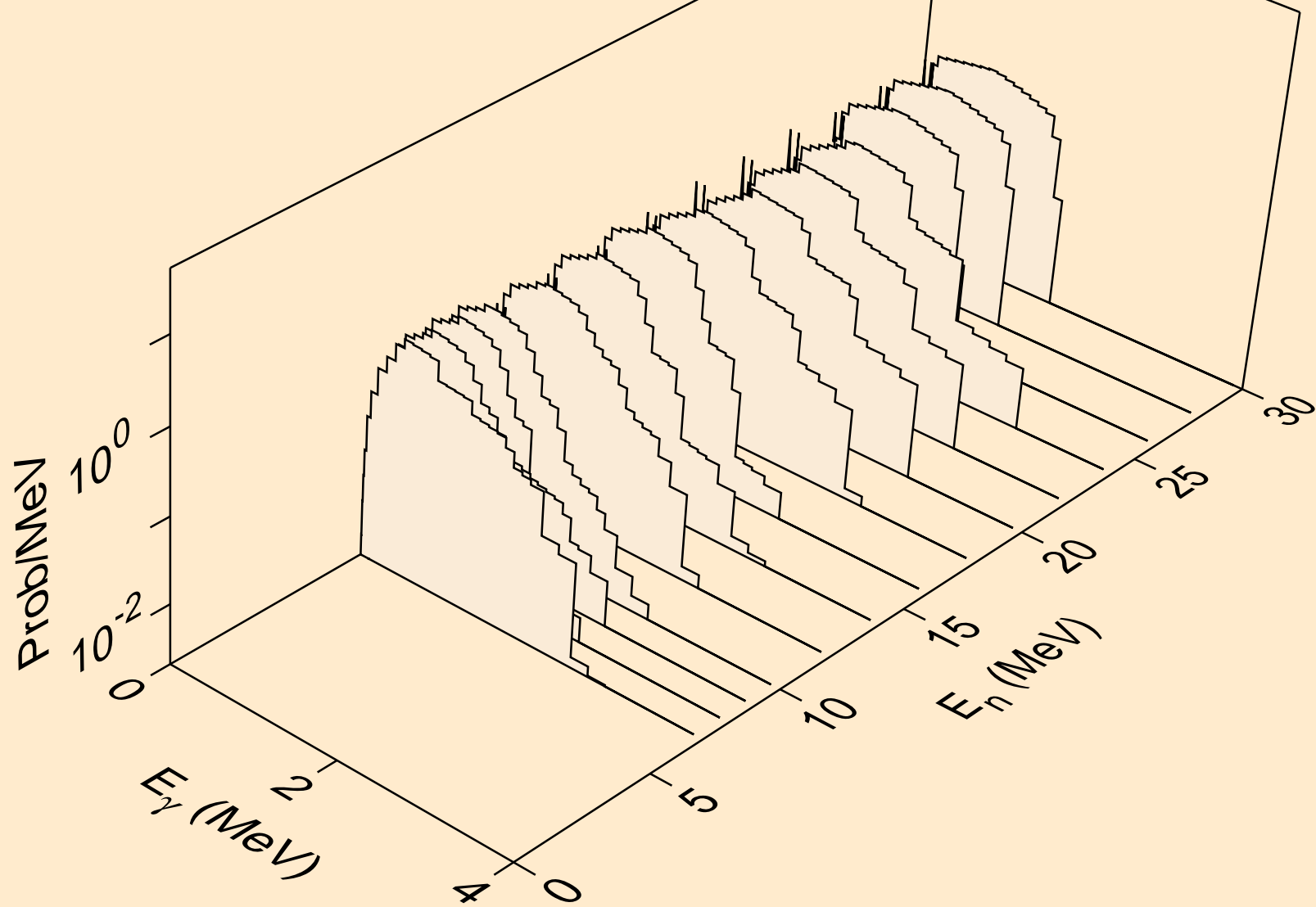
BH266 DEUTERON ACER TENDL-2021 LIBRARY; T=0.K  
Photon emission for (n,he3)



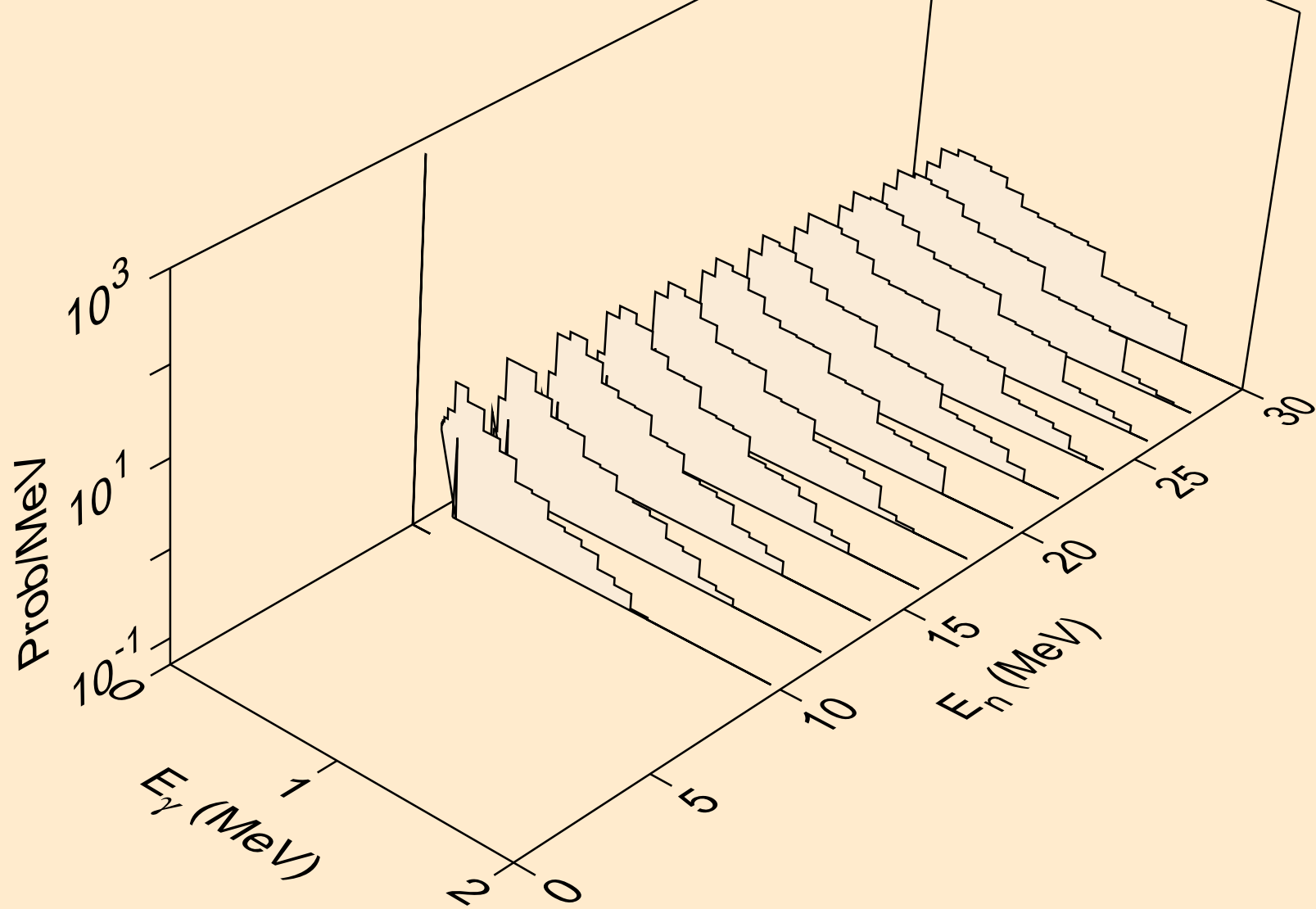
BH266 DEUTERON ACER TENDL-2021 LIBRARY; T=0.K  
Photon emission for (n,a)



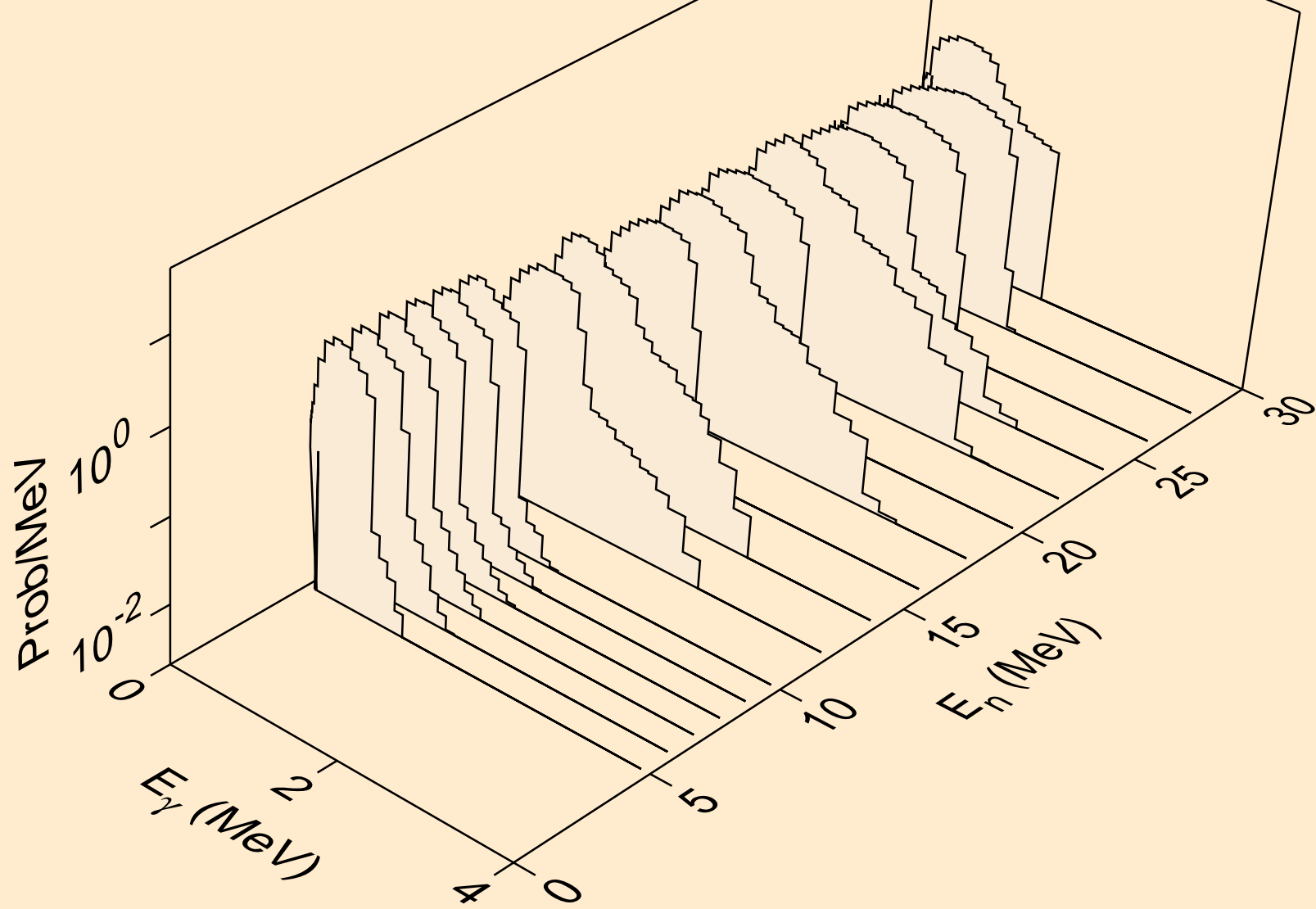
BH266 DEUTERON ACER TENDL-2021 LIBRARY; T=0.K  
Photon emission for (n,2a)



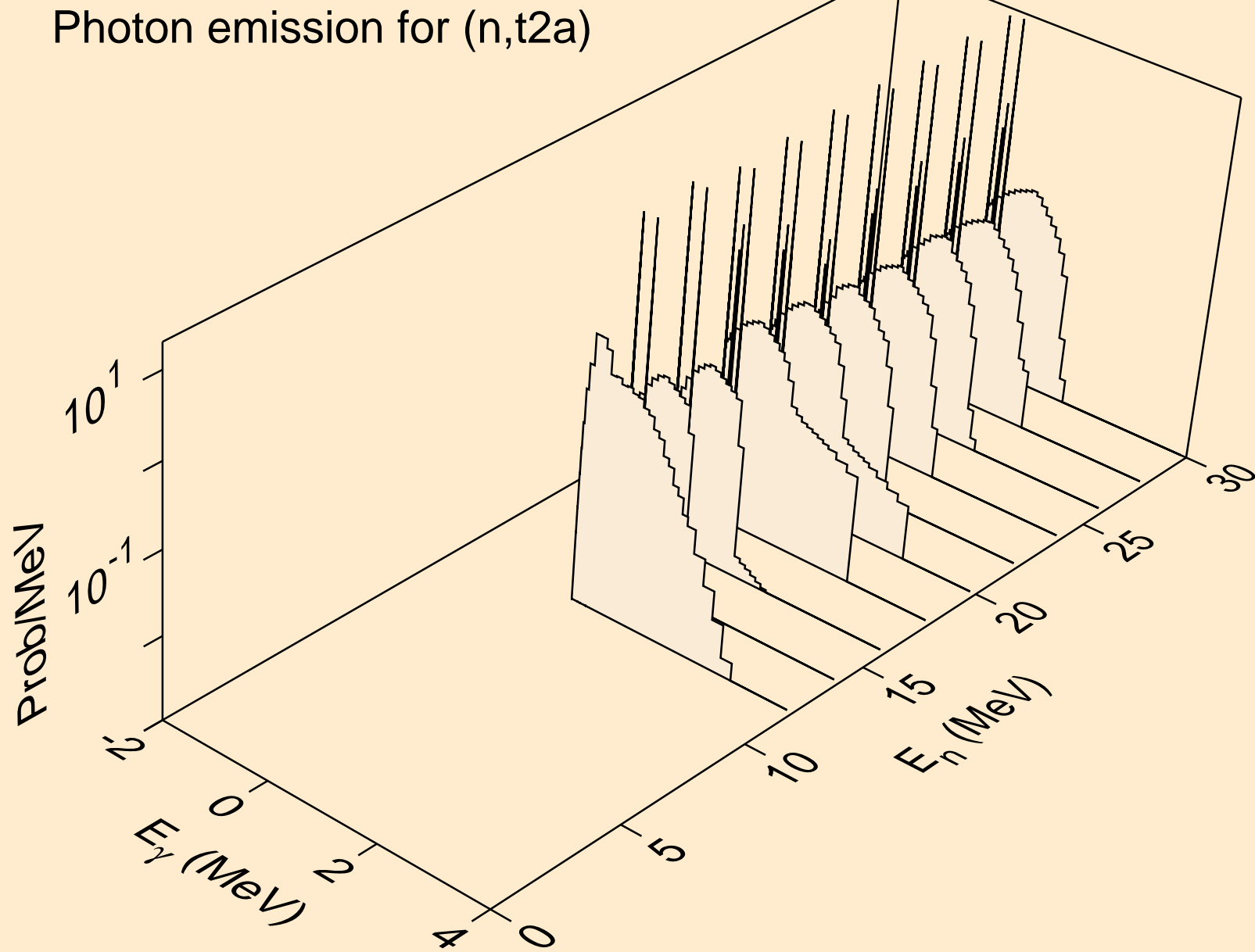
BH266 DEUTERON ACER TENDL-2021 LIBRARY; T=0.K  
Photon emission for (n,2p)



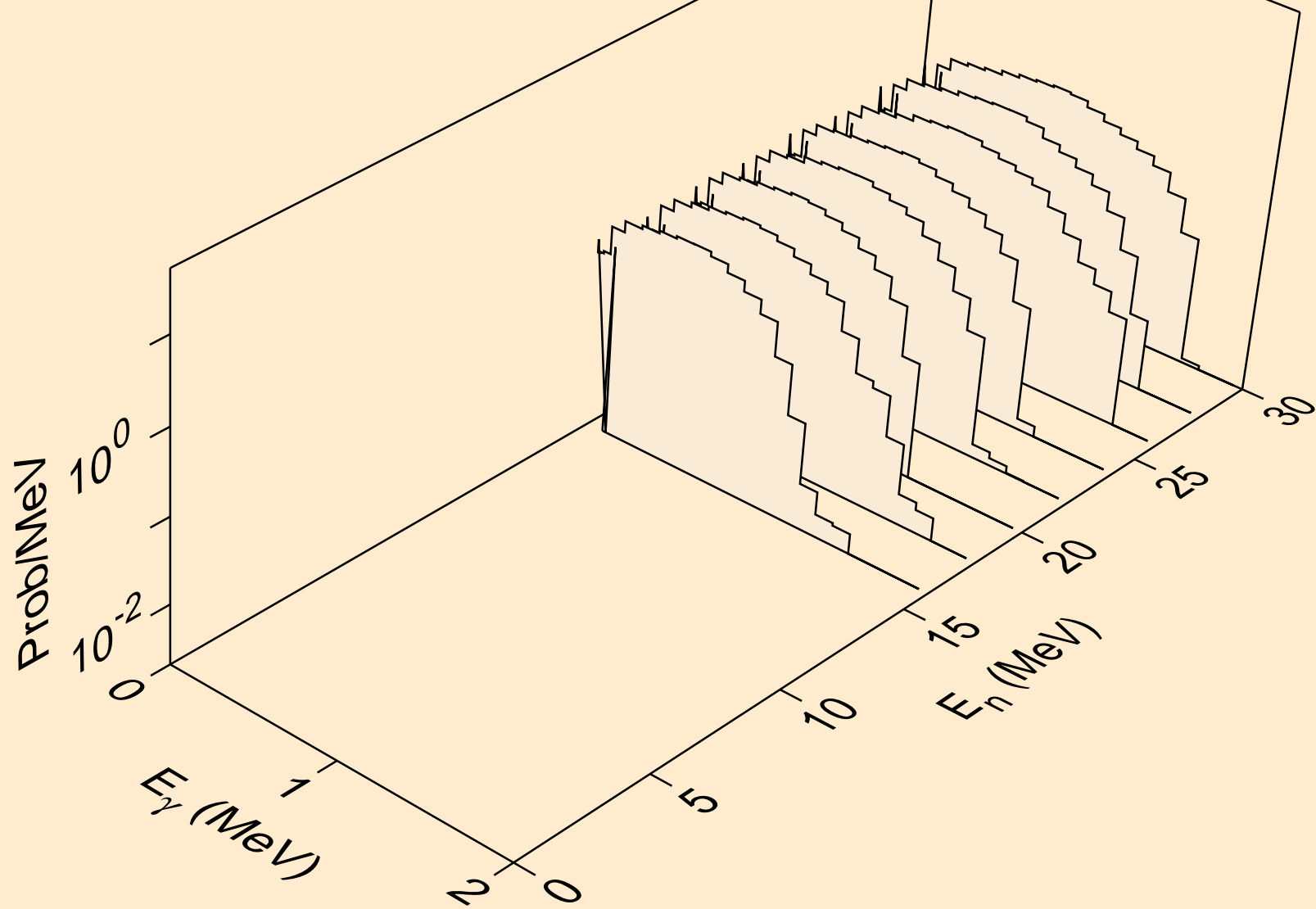
BH266 DEUTERON ACER TENDL-2021 LIBRARY; T=0.K  
Photon emission for (n,p)



BH266 DEUTERON ACER TENDL-2021 LIBRARY; T=0.K  
Photon emission for (n,t2a)

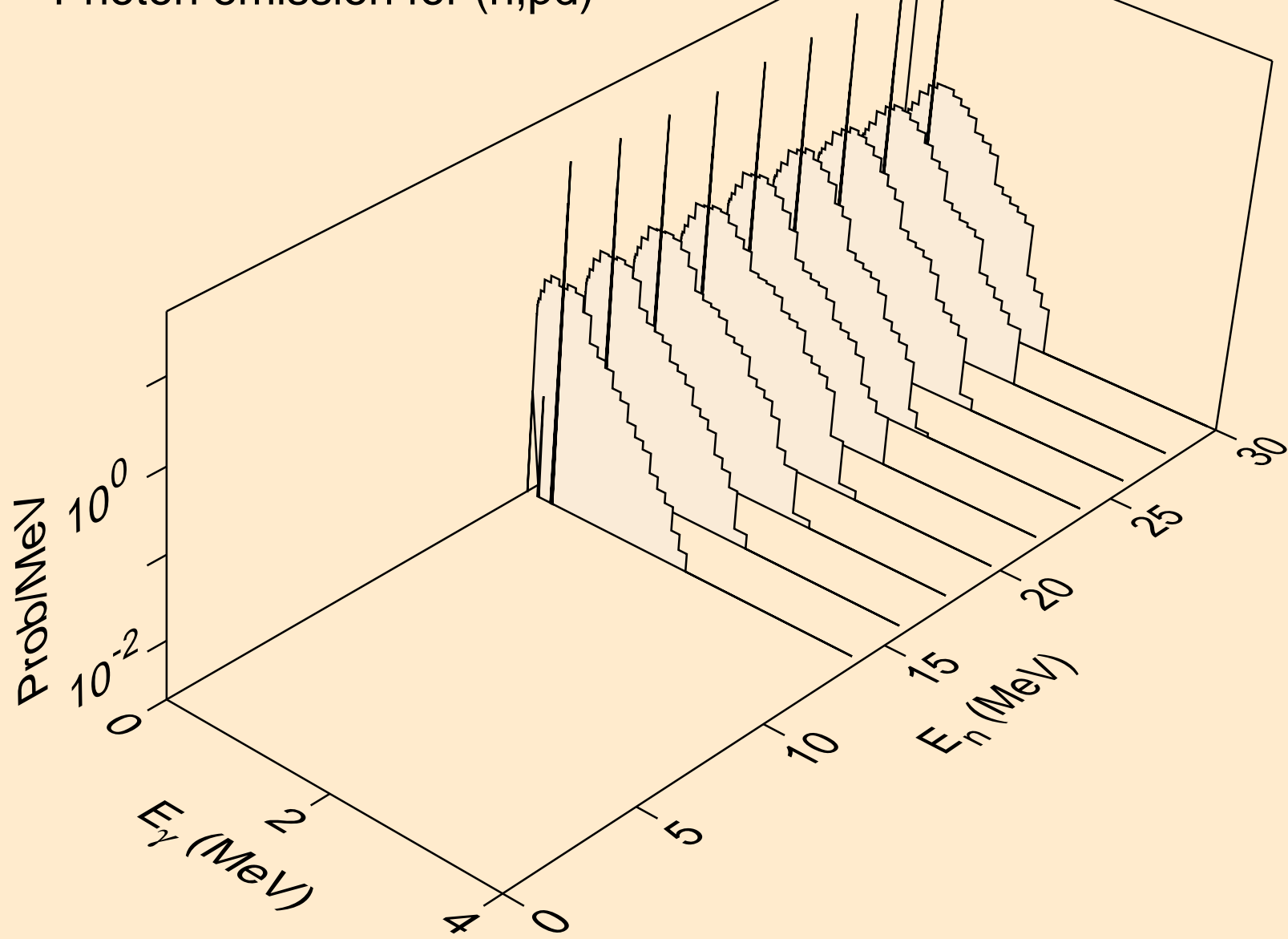


BH266 DEUTERON ACER TENDL-2021 LIBRARY; T=0.K  
Photon emission for (n,d2a)

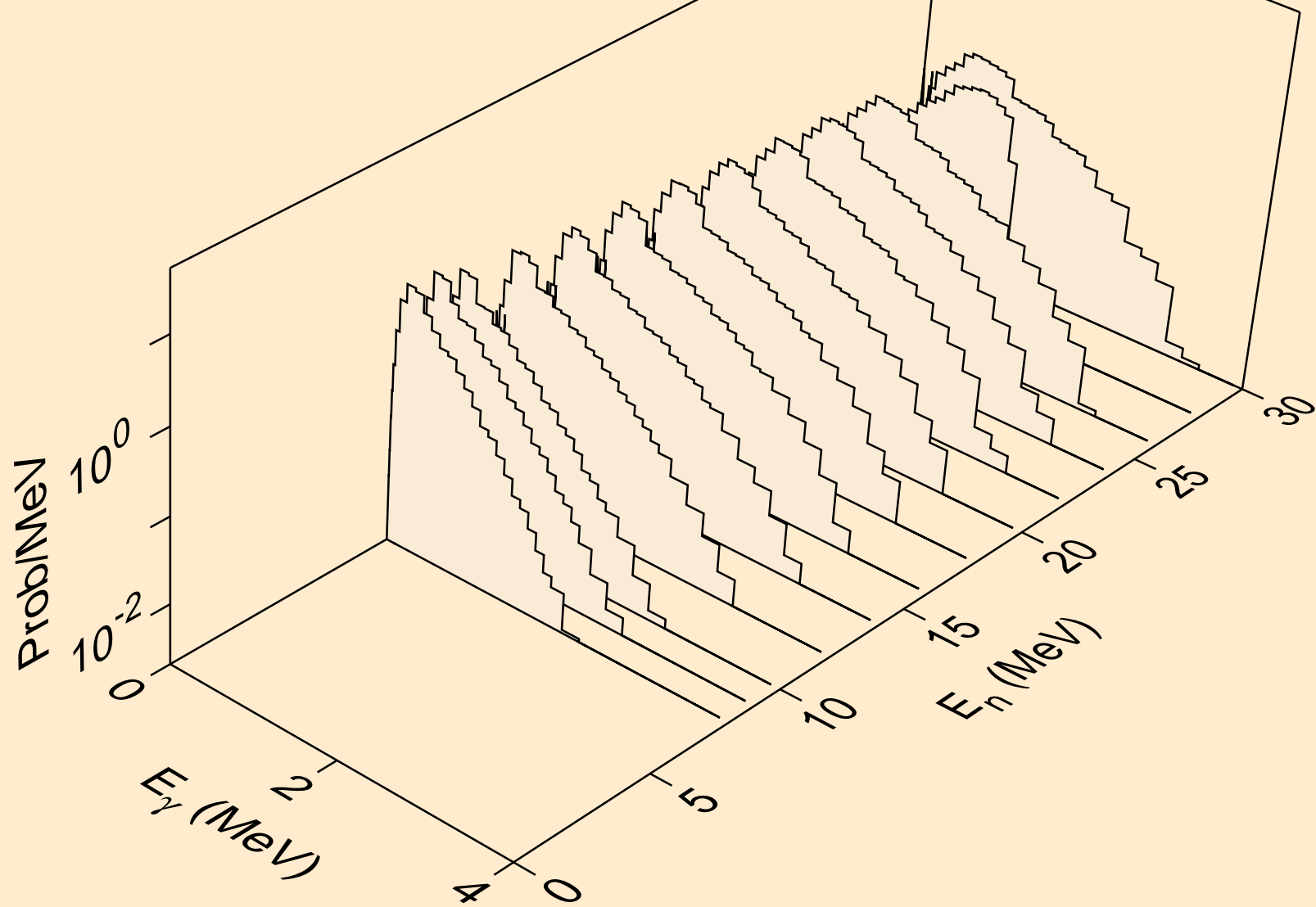




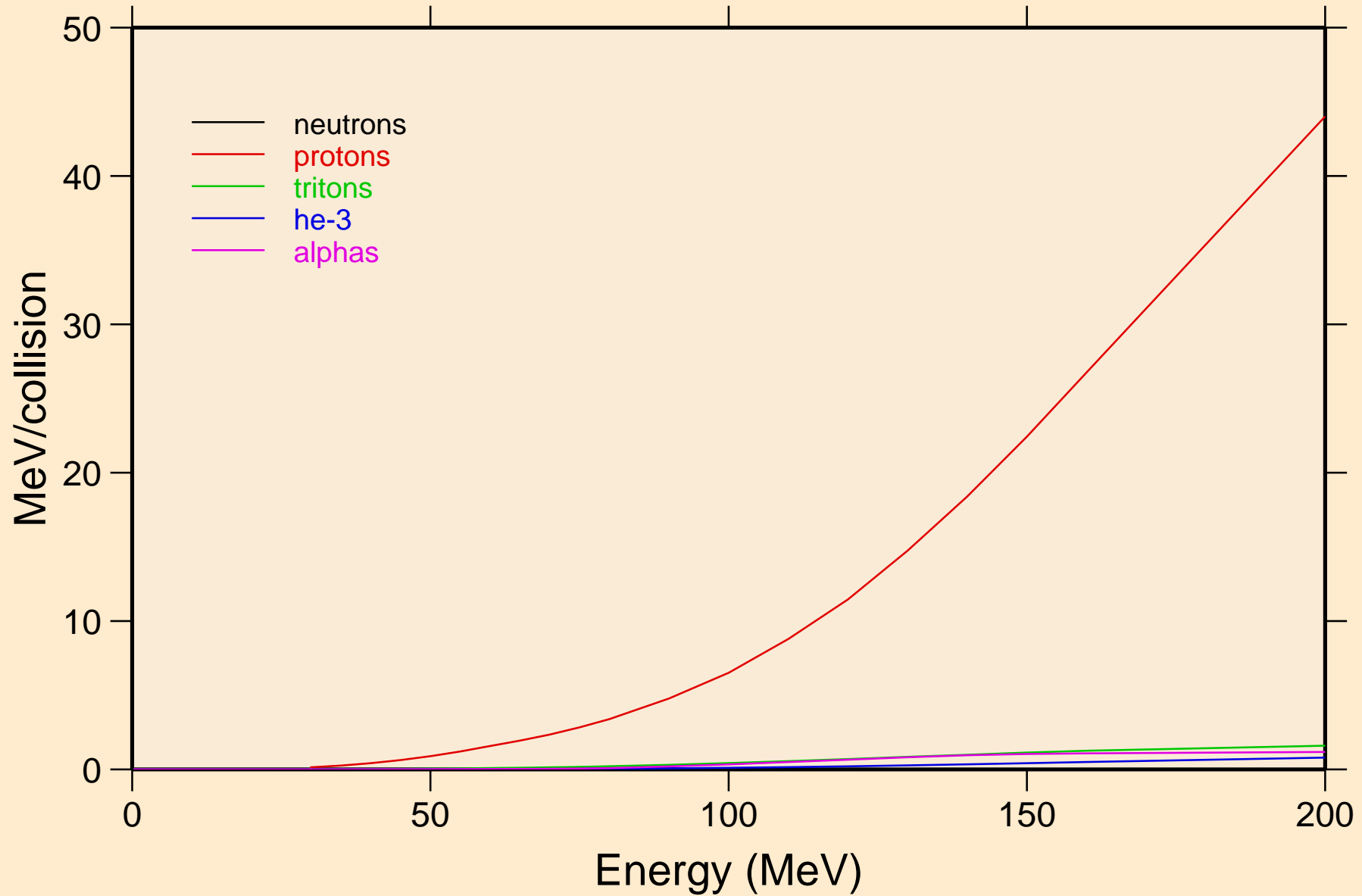
BH266 DEUTERON ACER TENDL-2021 LIBRARY; T=0.K  
Photon emission for (n,pd)



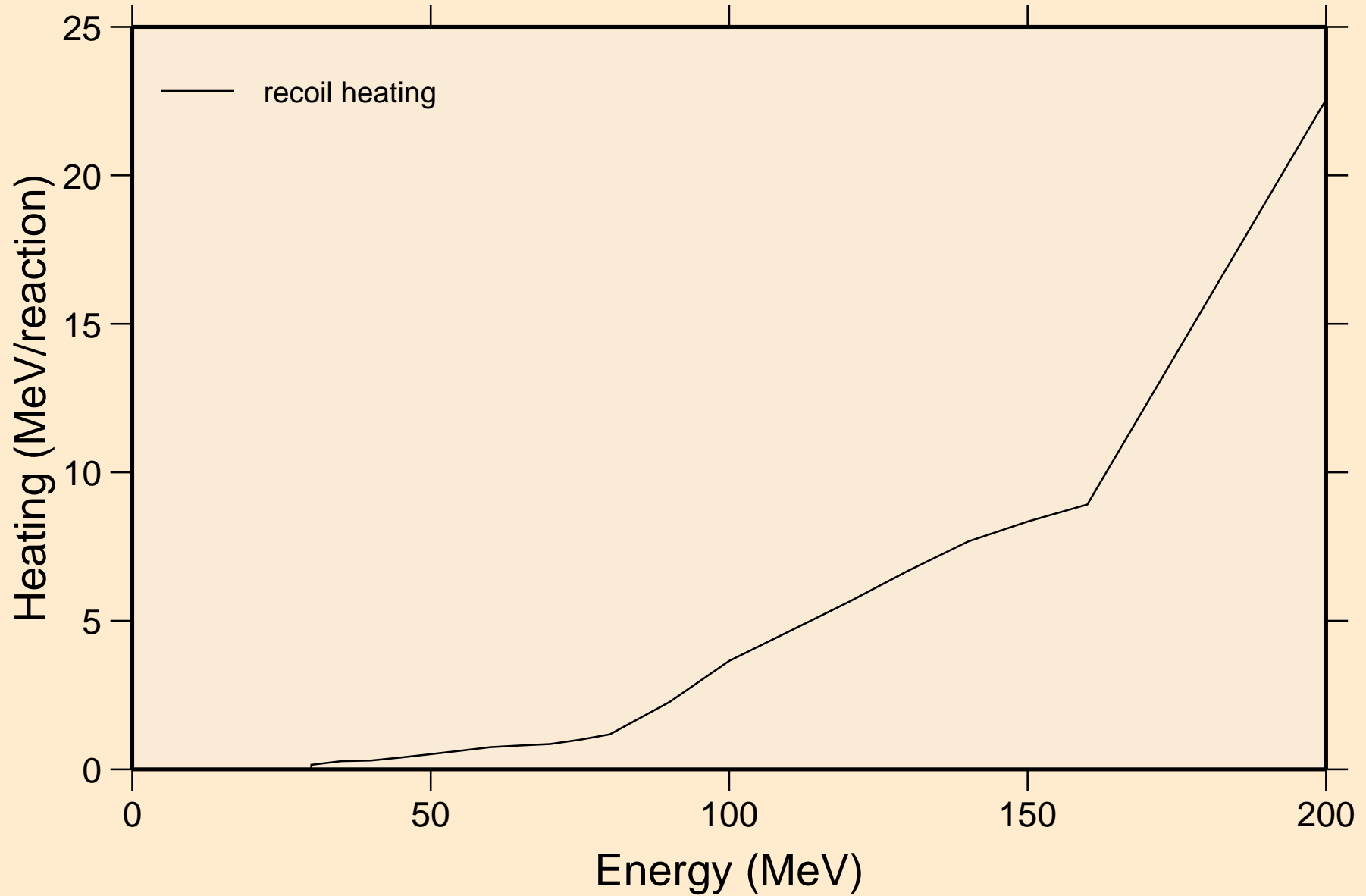
BH266 DEUTERON ACER TENDL-2021 LIBRARY; T=0.K  
Photon emission for (n,da)



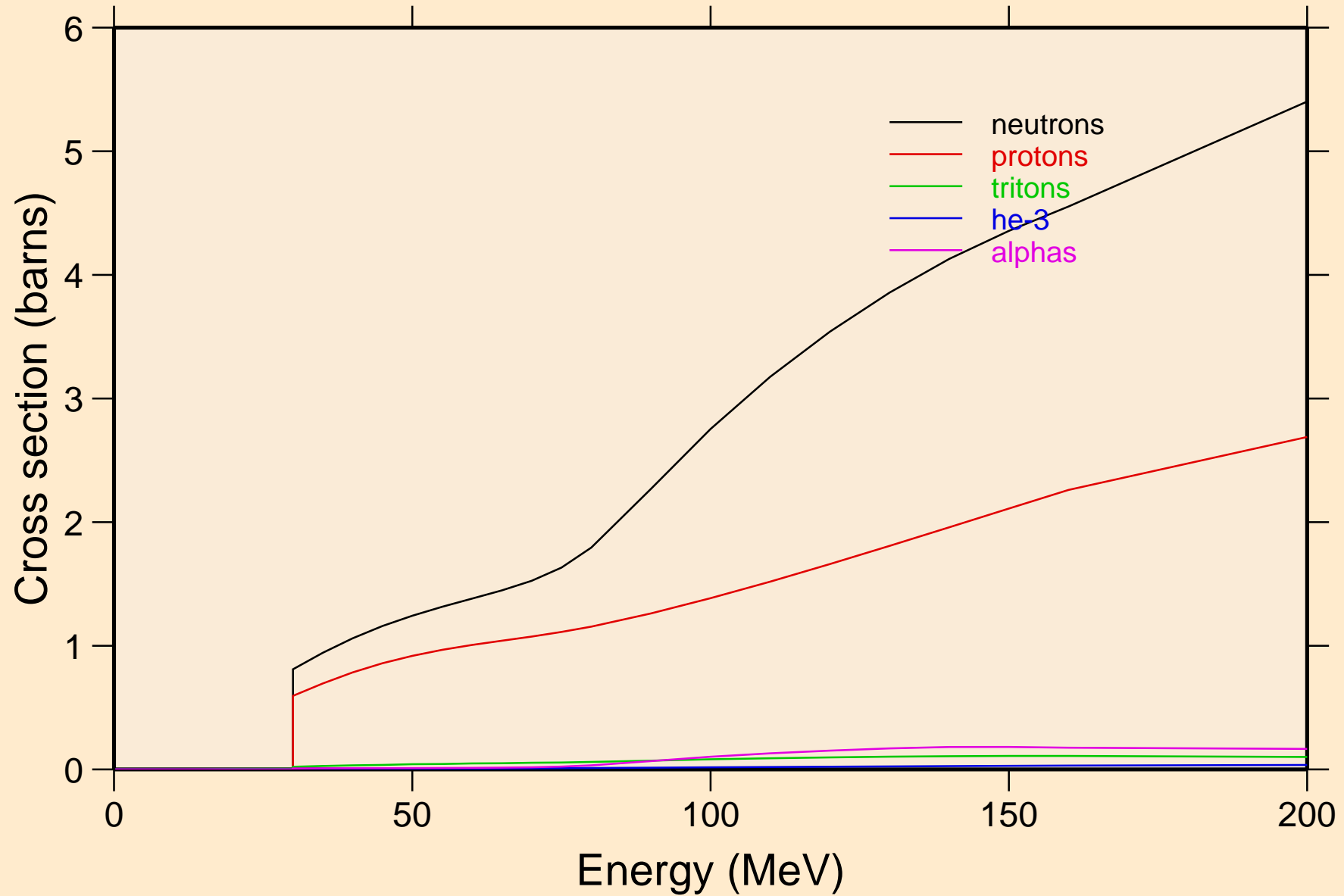
BH266 DEUTERON ACER TENDL-2021 LIBRARY; T=0.K  
Particle heating contributions



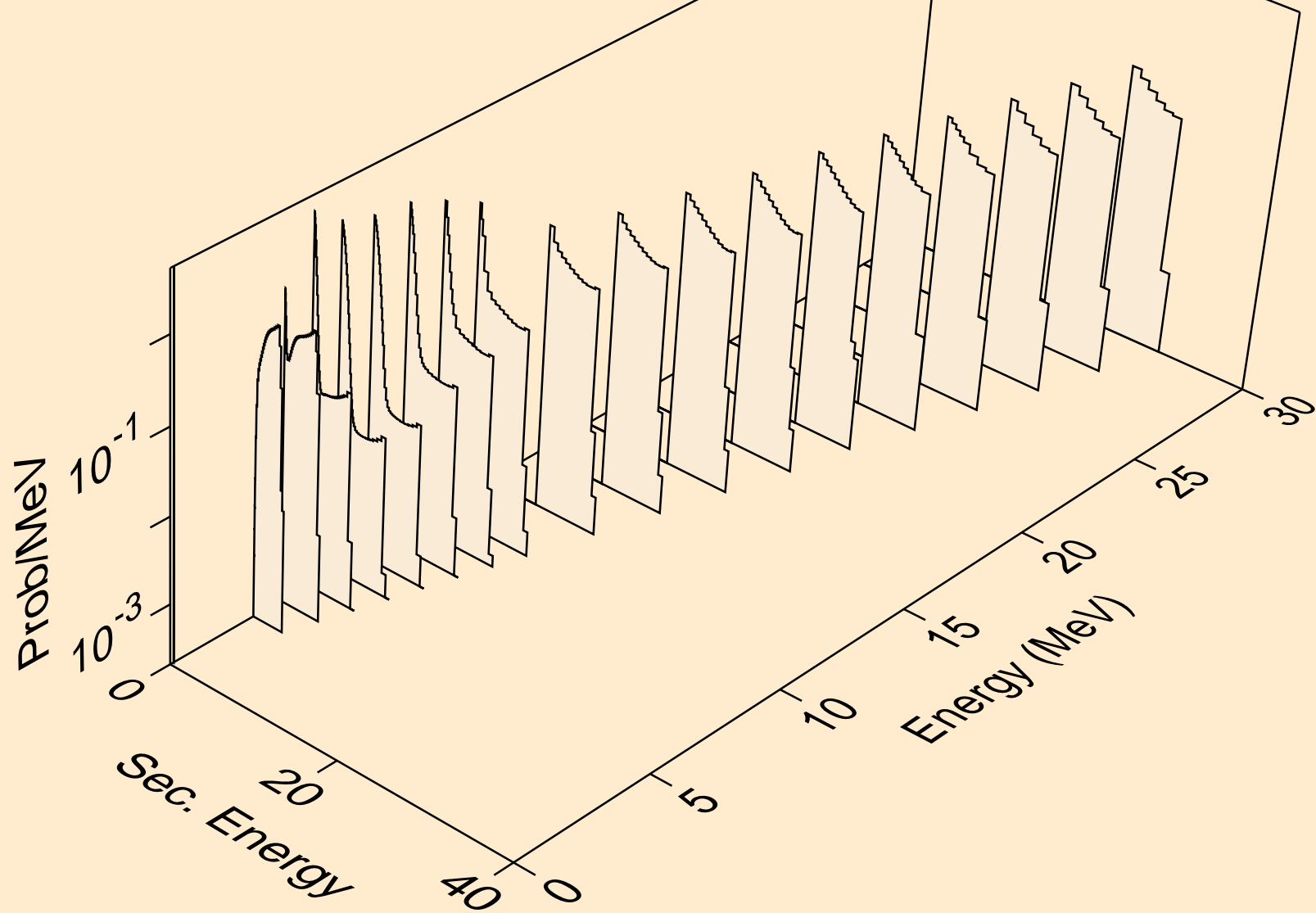
BH266 DEUTERON ACER TENDL-2021 LIBRARY; T=0.K  
Recoil Heating



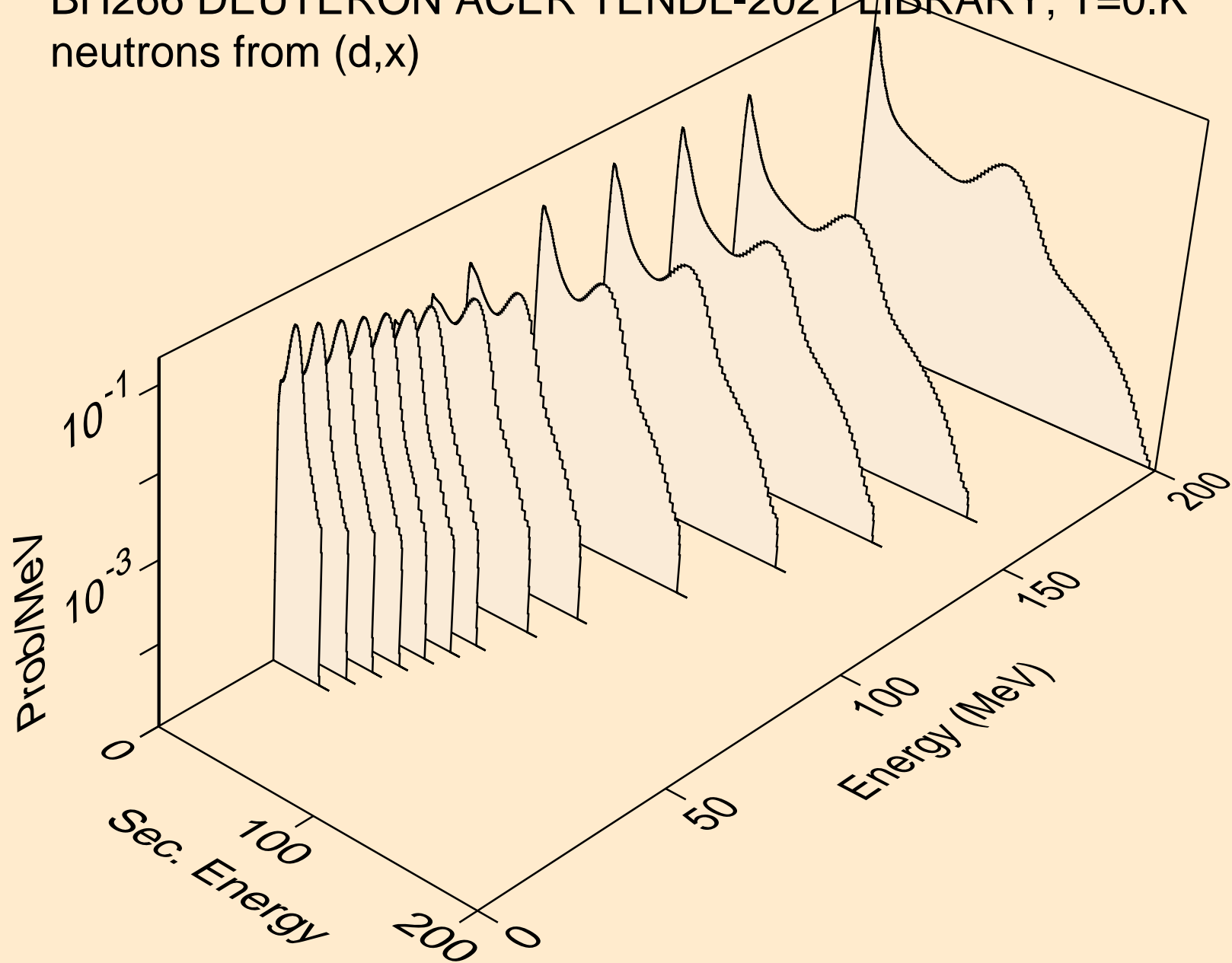
BH266 DEUTERON ACER TENDL-2021 LIBRARY; T=0.K  
Particle production cross sections



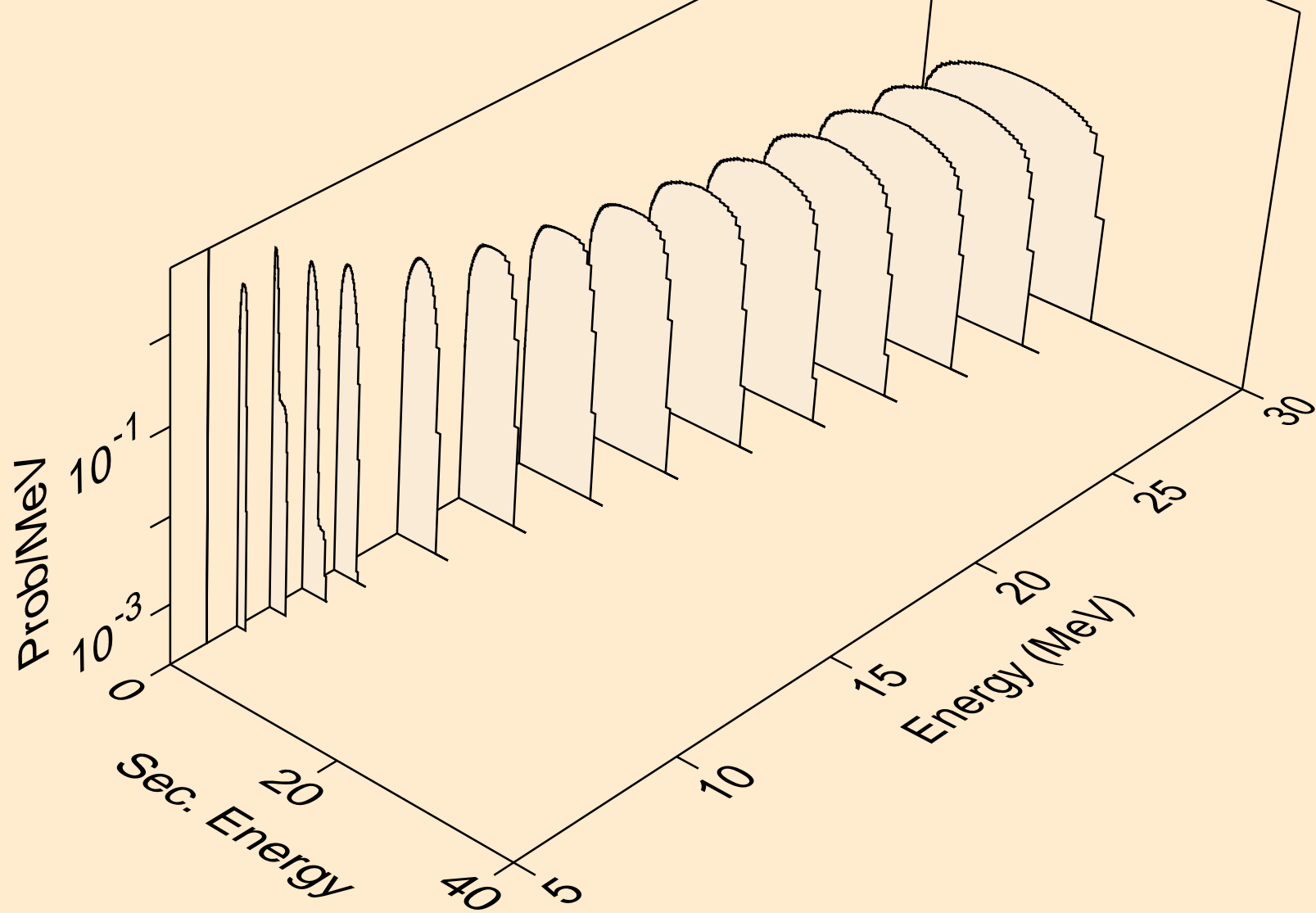
BH266 DEUTERON ACER TENDL-2021 LIBRARY; T=0.K  
neutrons from (d,n)



BH266 DEUTERON ACER TENDL-2021 LIBRARY; T=0.K  
neutrons from (d,x)

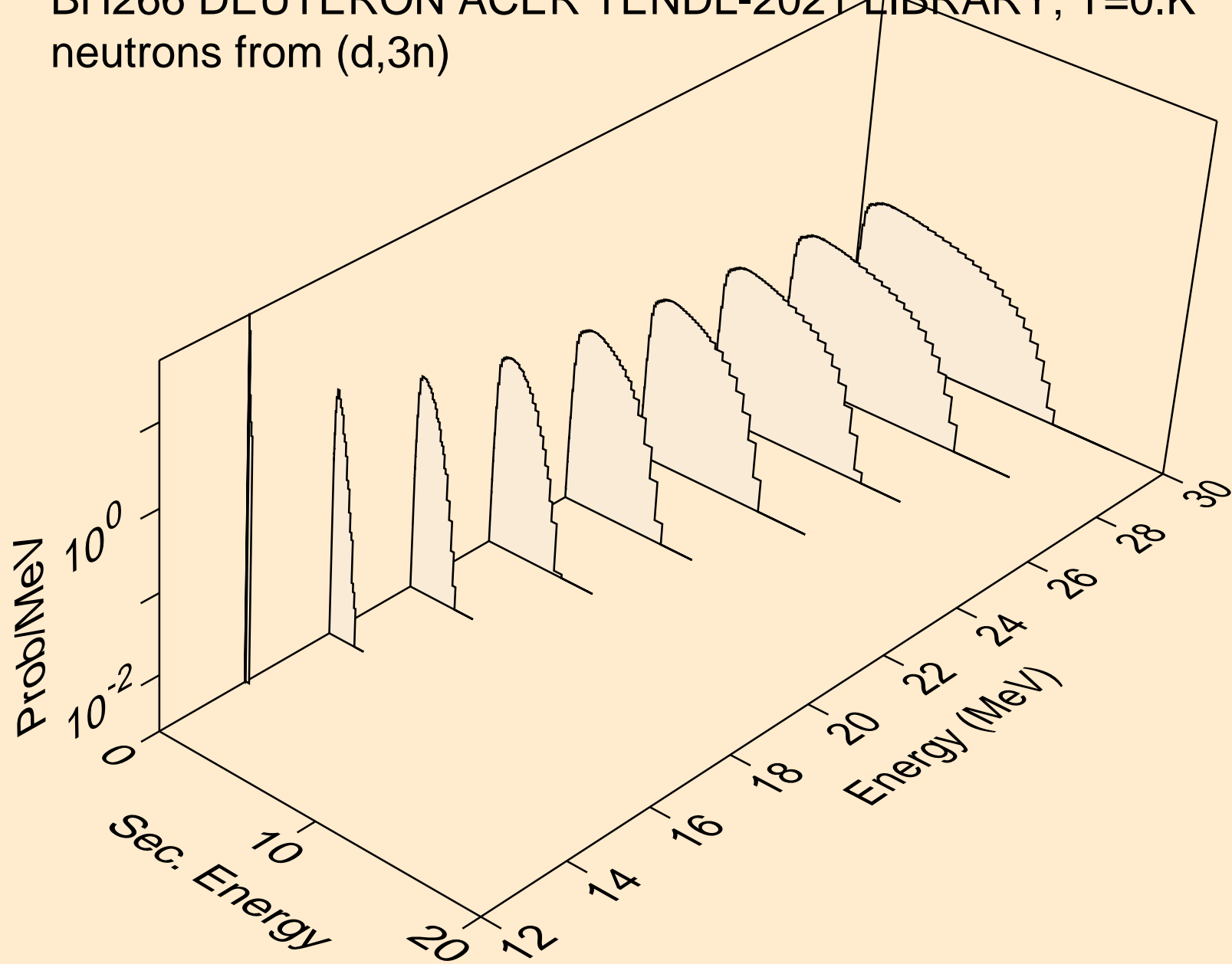


BH266 DEUTERON ACER TENDL-2021 LIBRARY; T=0.K  
neutrons from (d,2n)

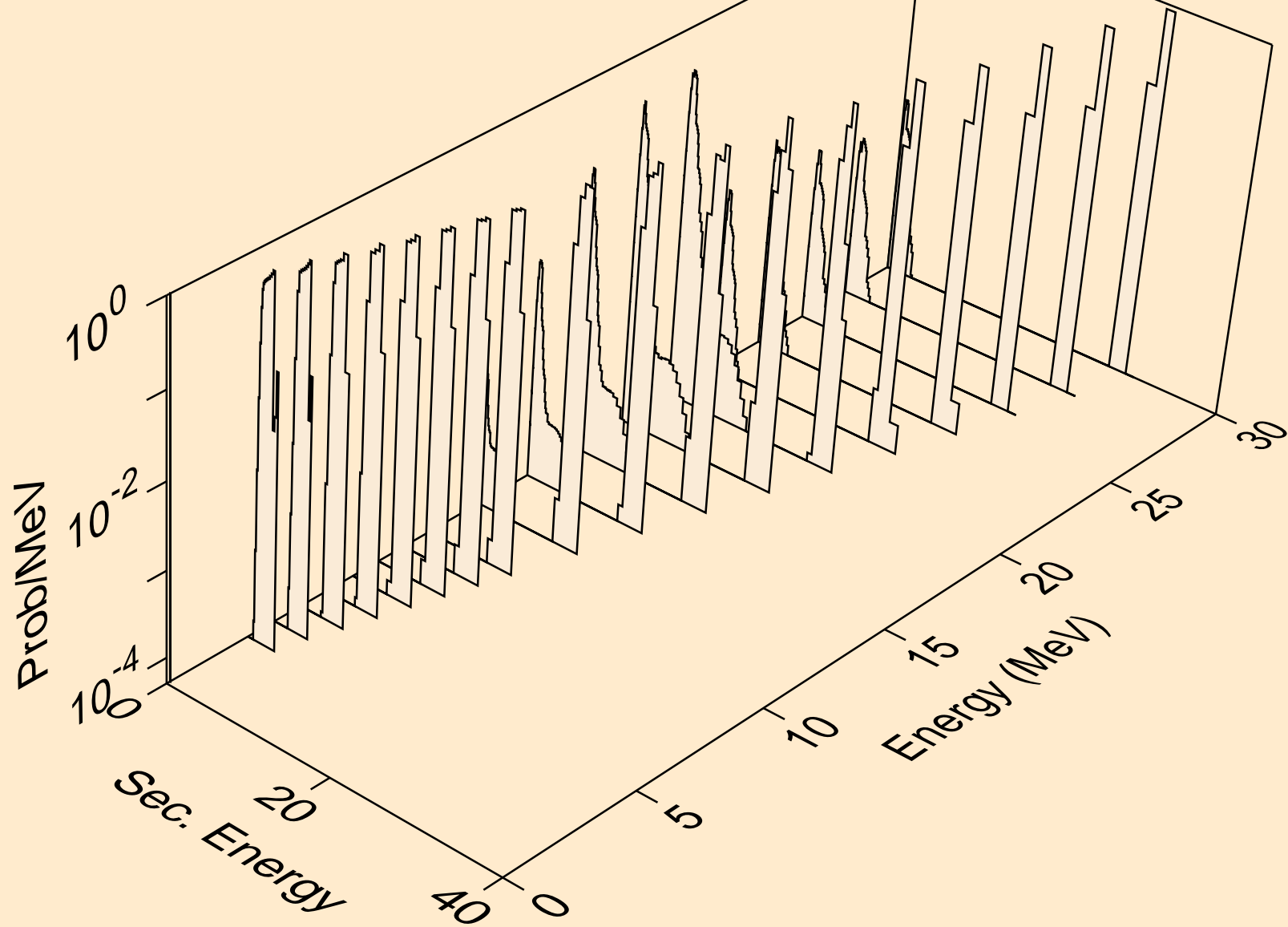




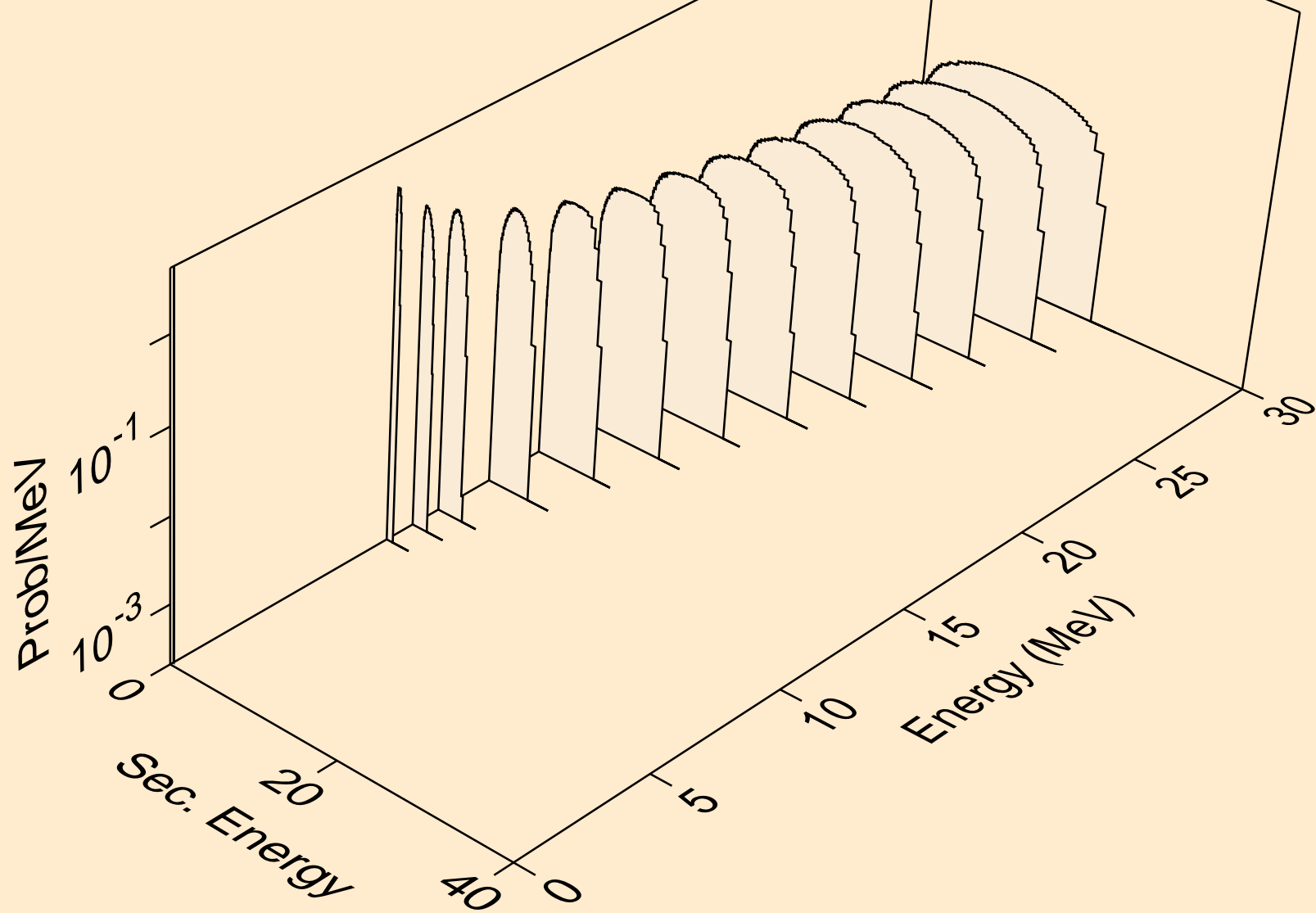
BH266 DEUTERON ACER TENDL-2021 LIBRARY; T=0.K  
neutrons from (d,3n)



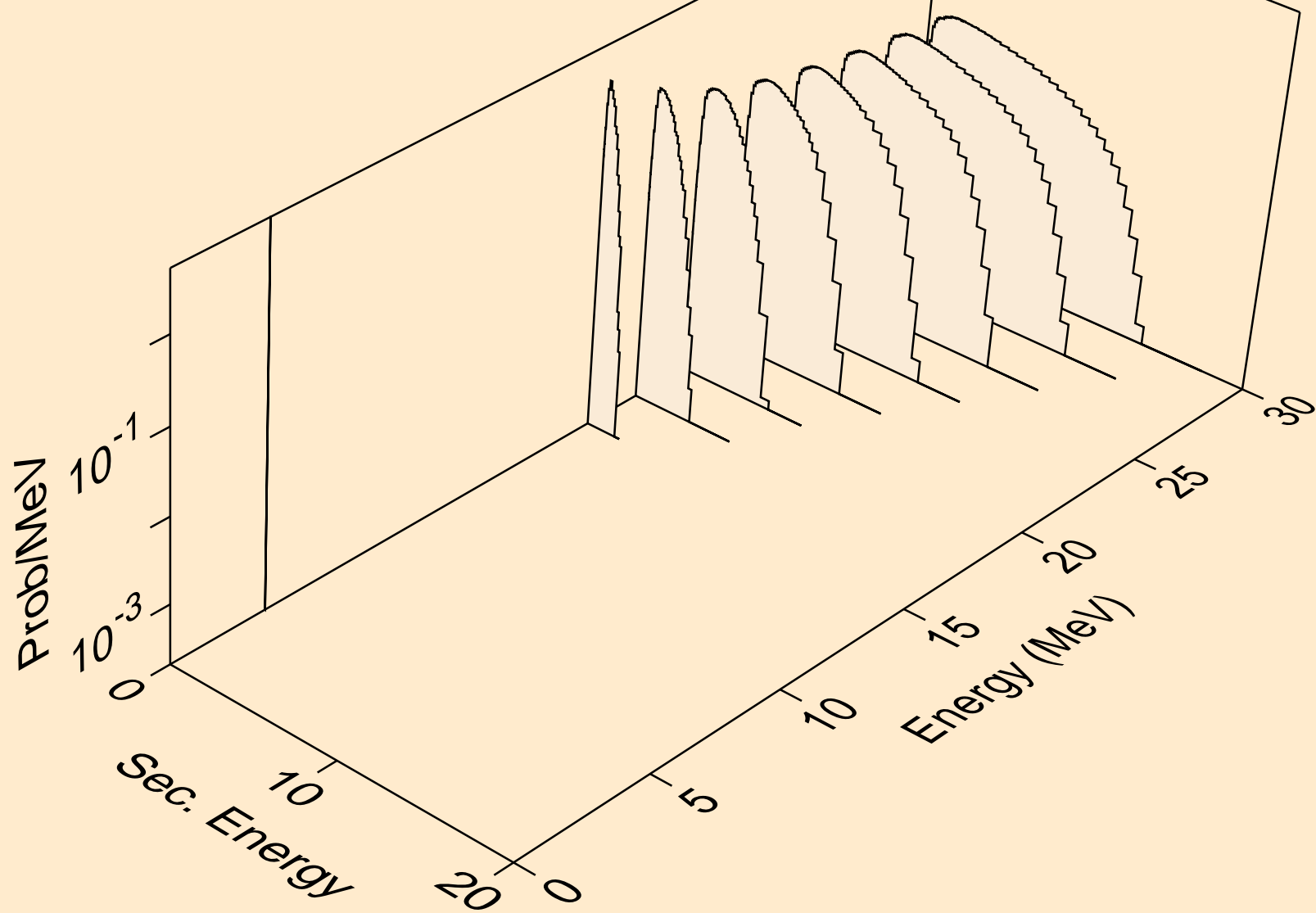
BH266 DEUTERON ACER TENDL-2021 LIBRARY; T=0.K  
neutrons from (d,n\*)a



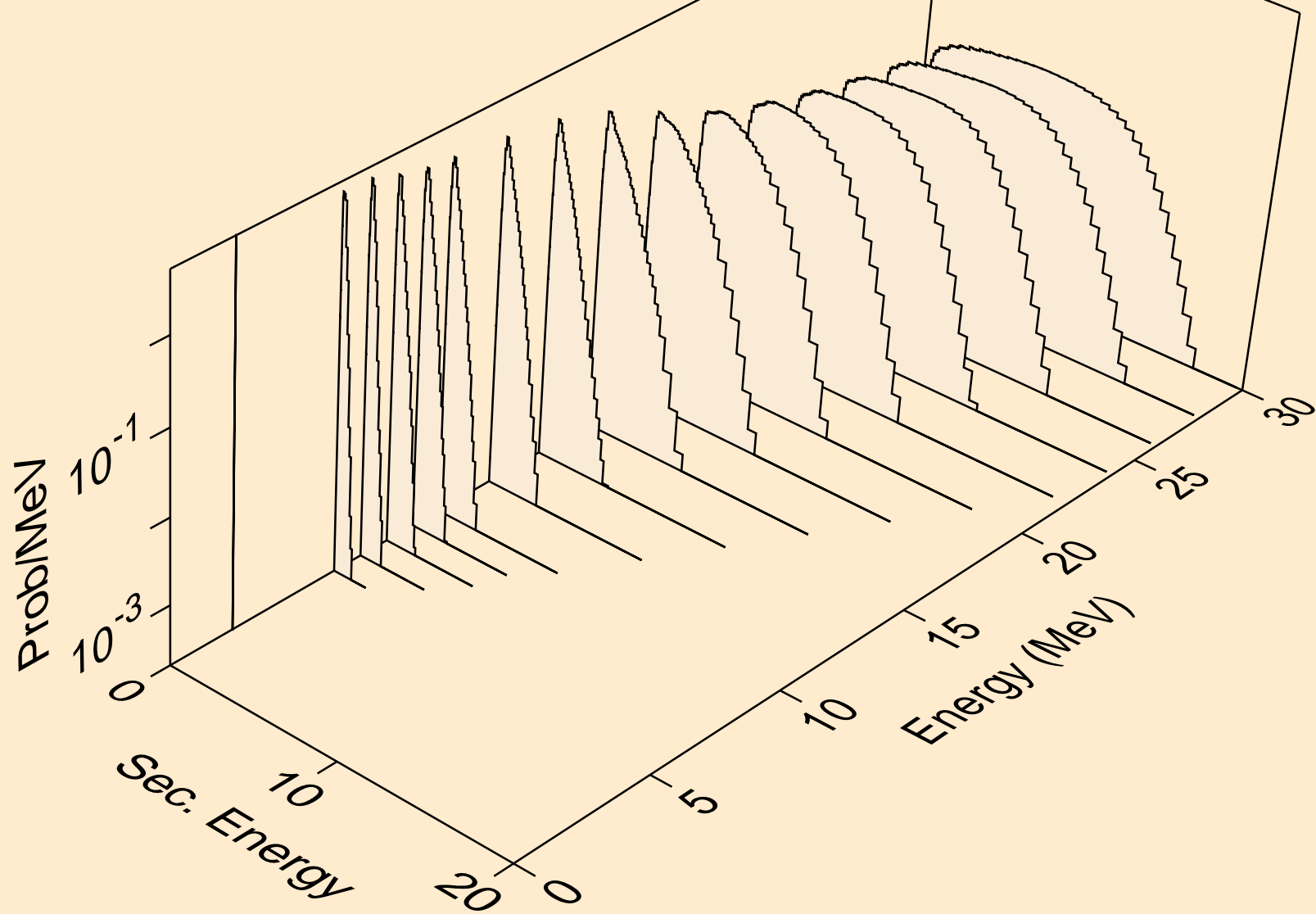
BH266 DEUTERON ACER TENDL-2021 LIBRARY; T=0.K  
neutrons from (d,2n)a



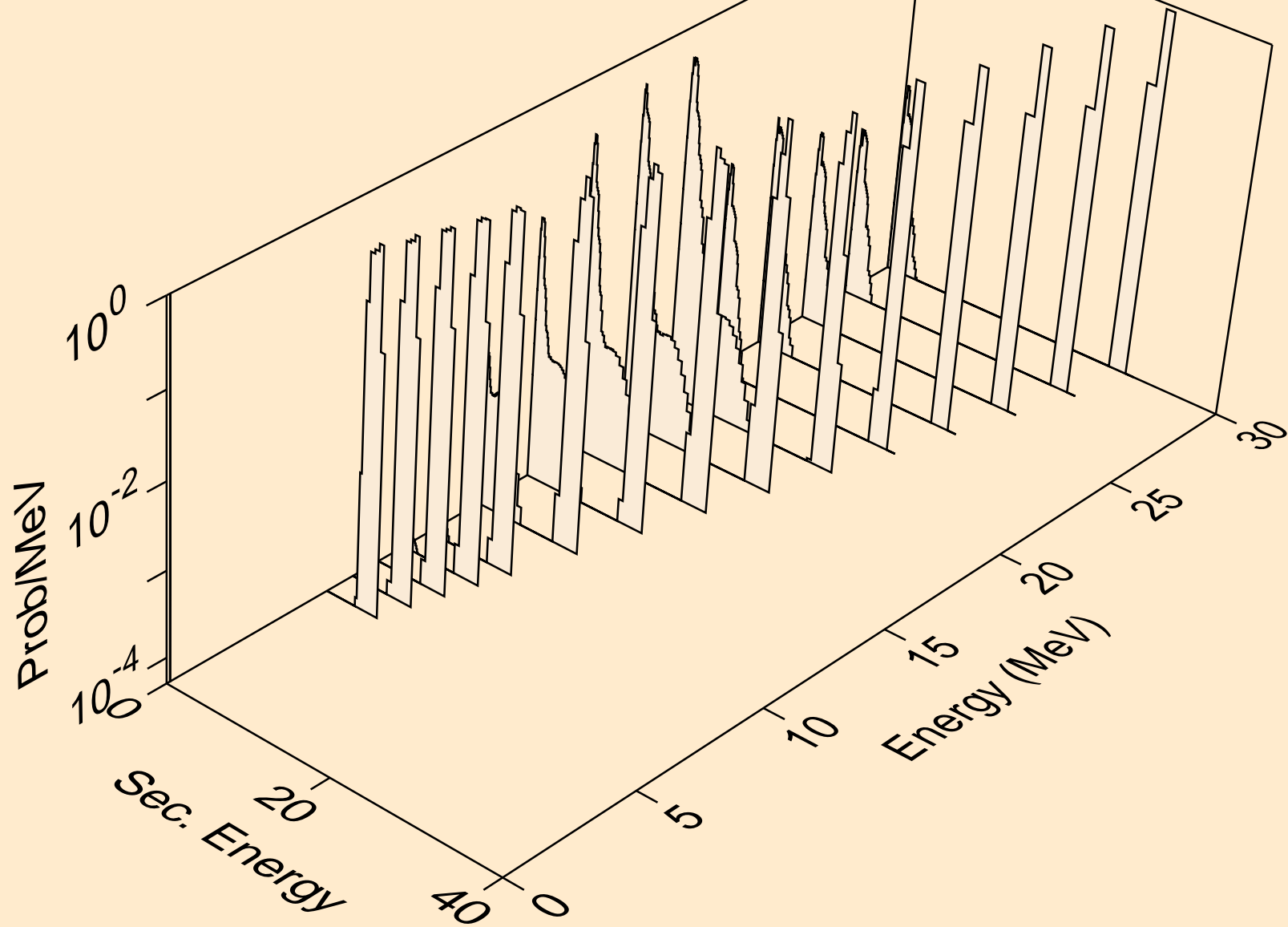
BH266 DEUTERON ACER TENDL-2021 LIBRARY; T=0.K  
neutrons from (d,3n)a



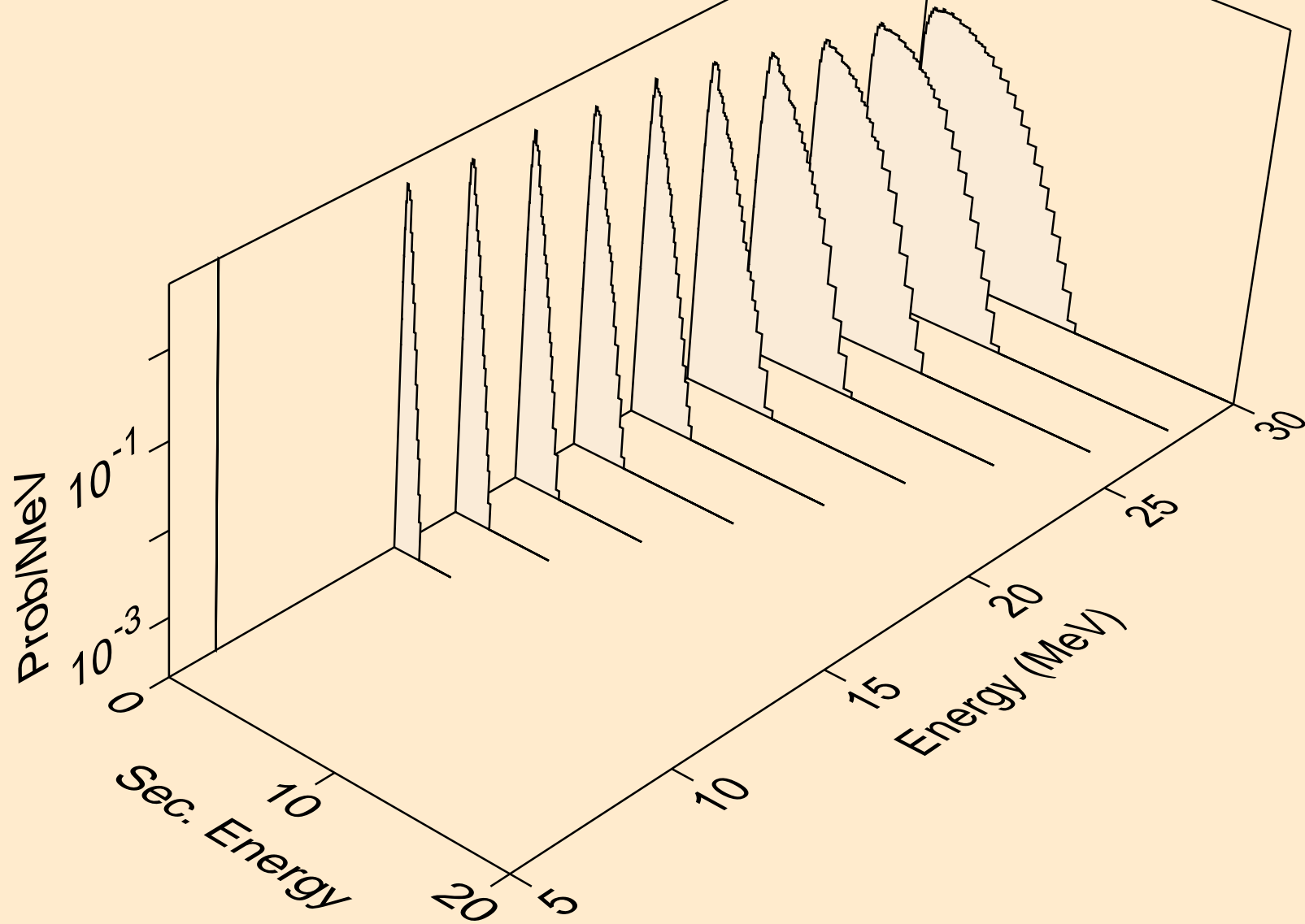
BH266 DEUTERON ACER TENDL-2021 LIBRARY; T=0.K  
neutrons from (d,n\*)p



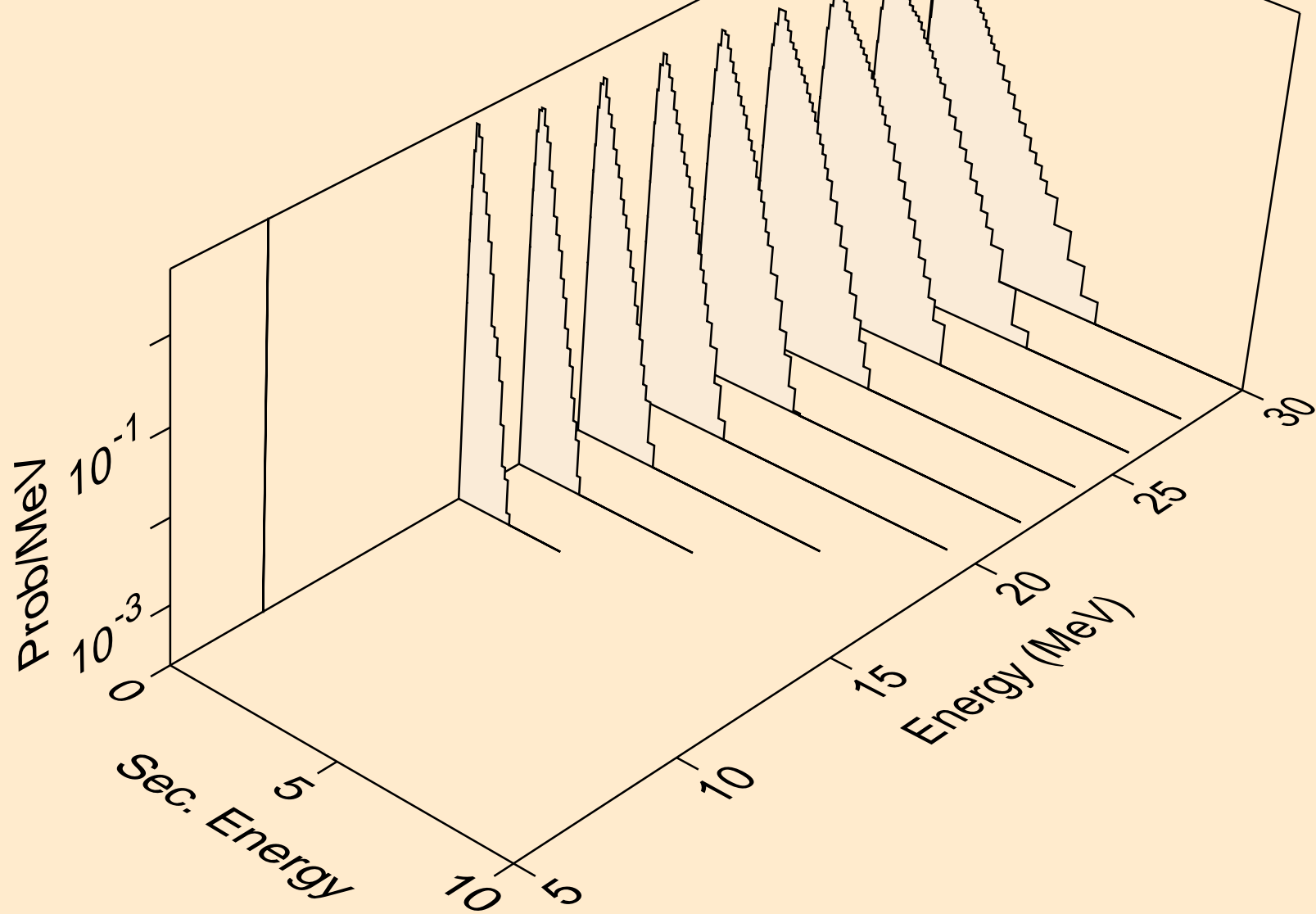
BH266 DEUTERON ACER TENDL-2021 LIBRARY; T=0.K  
neutrons from (d,n\*)2a



BH266 DEUTERON ACER TENDL-2021 LIBRARY; T=0.K  
neutrons from (d,n\*)d

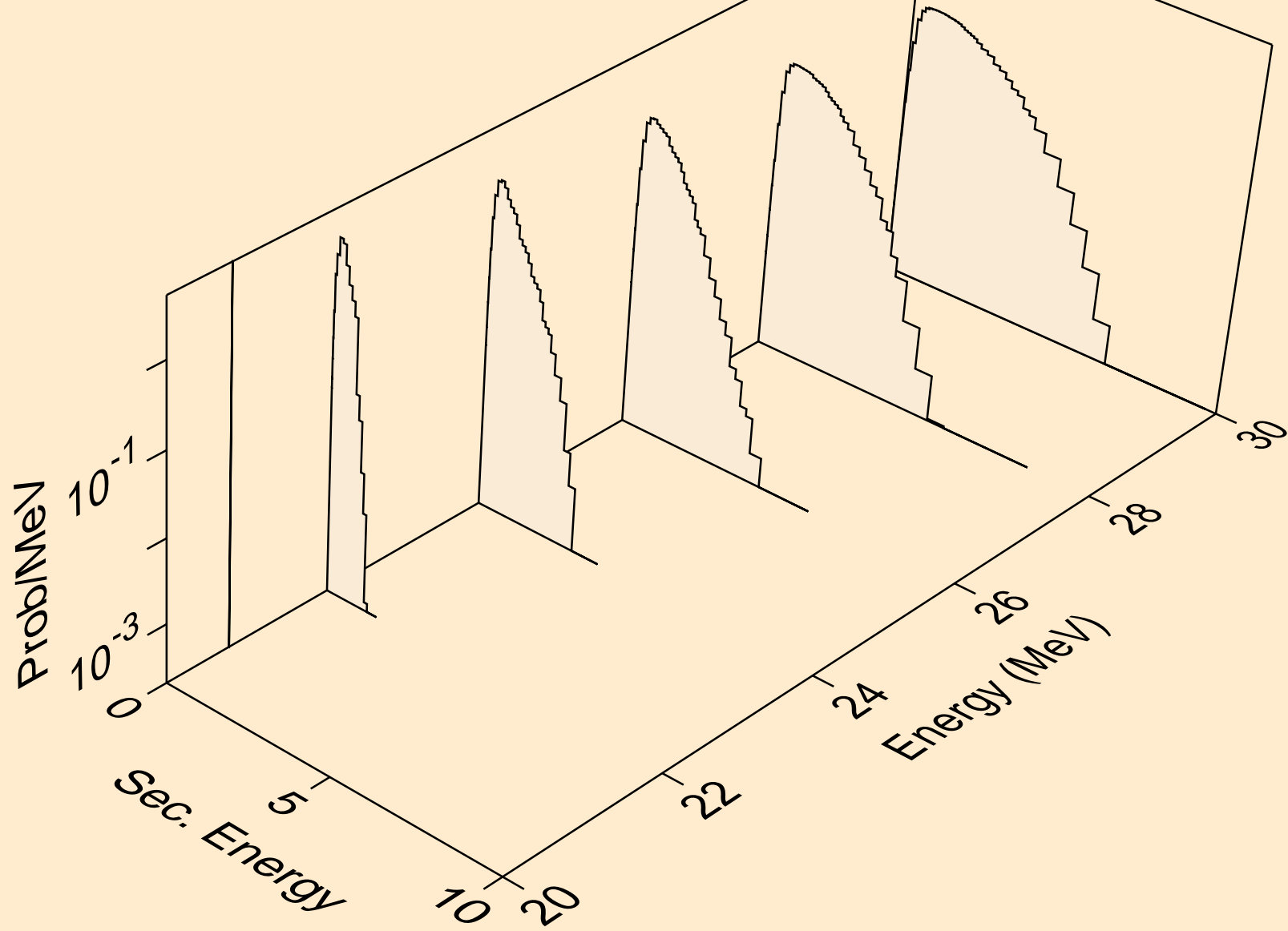


BH266 DEUTERON ACER TENDL-2021 LIBRARY; T=0.K  
neutrons from (d,n\*)t

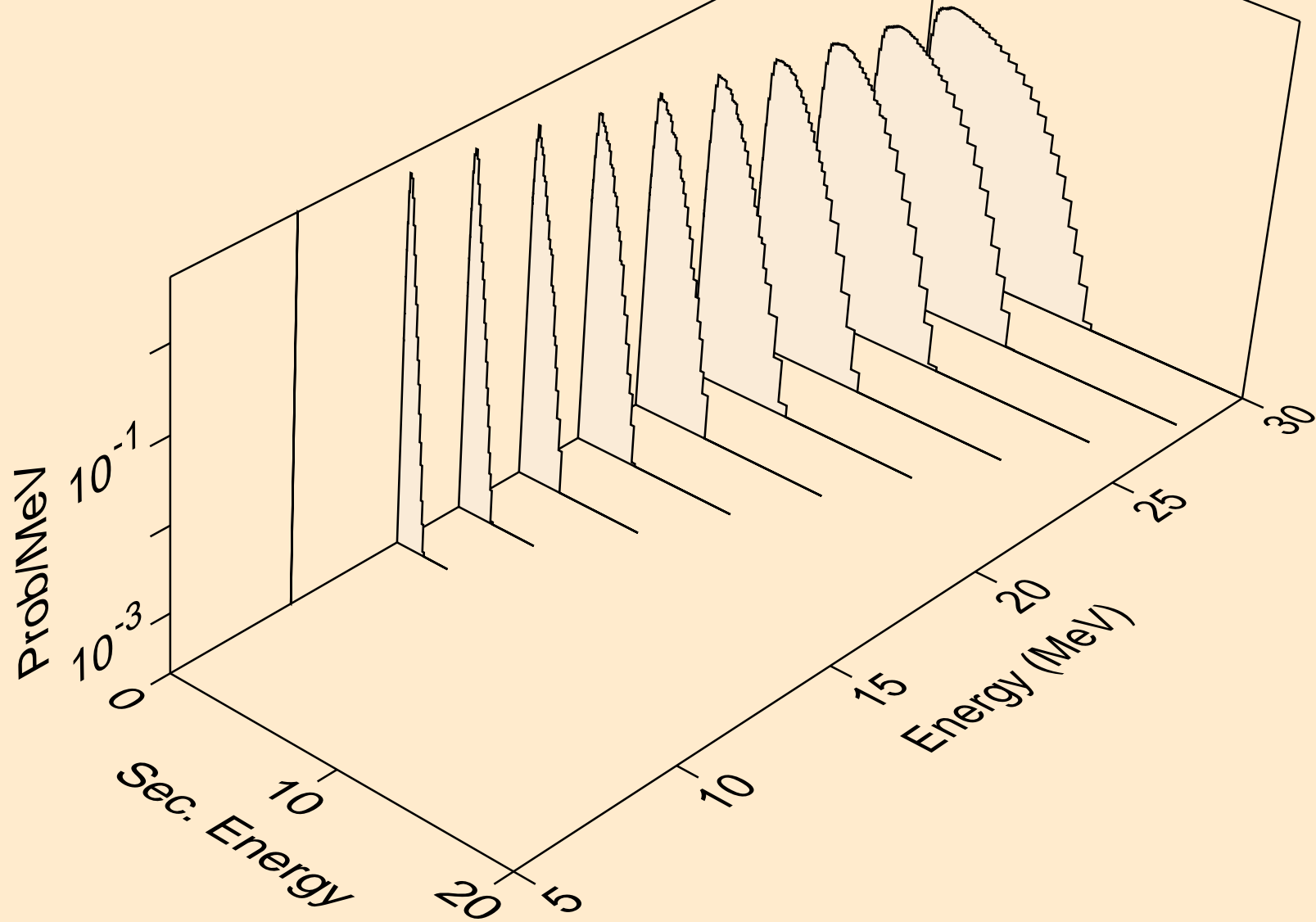




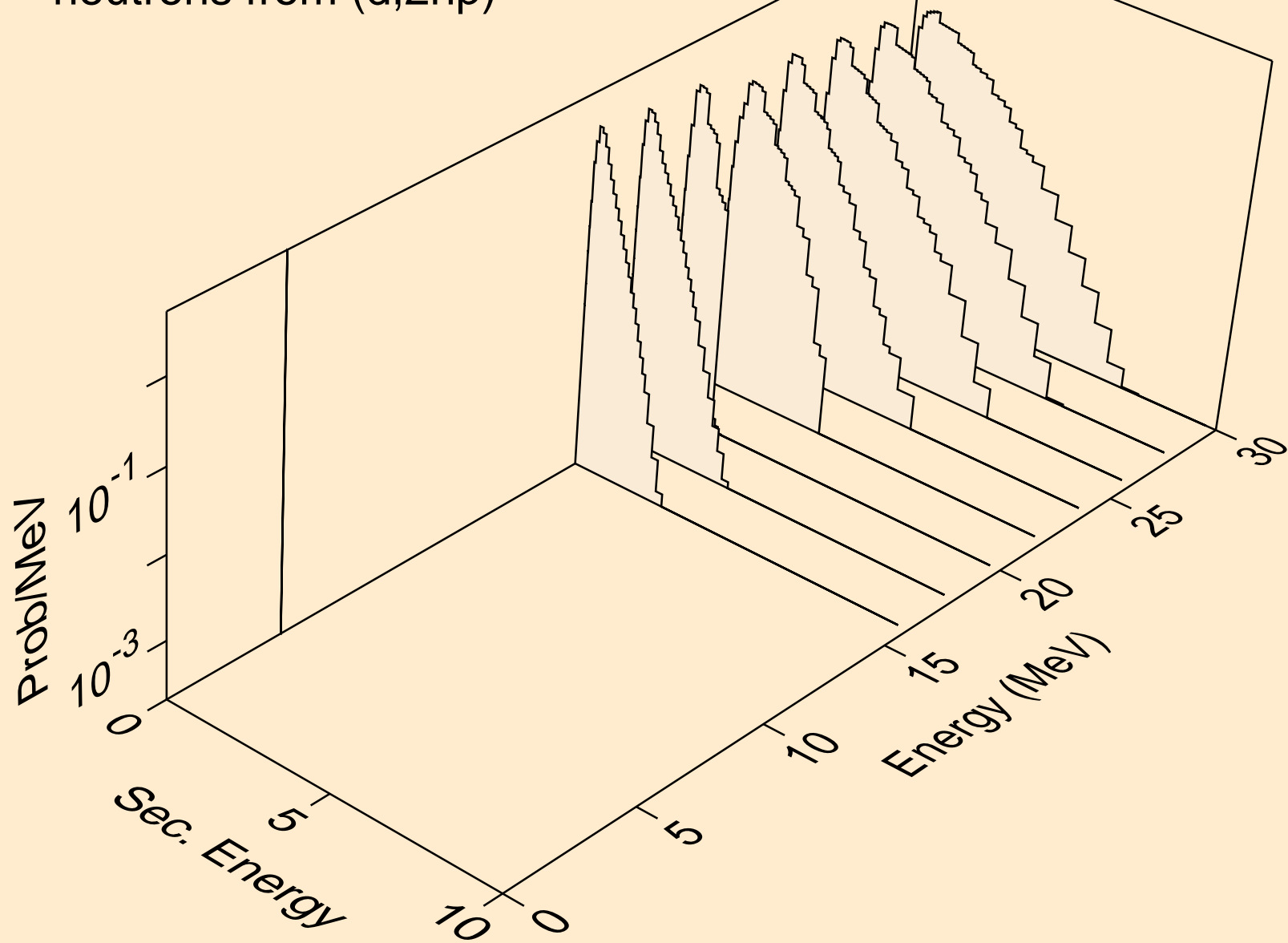
BH266 DEUTERON ACER TENDL-2021 LIBRARY; T=0.K  
neutrons from (d,4n)



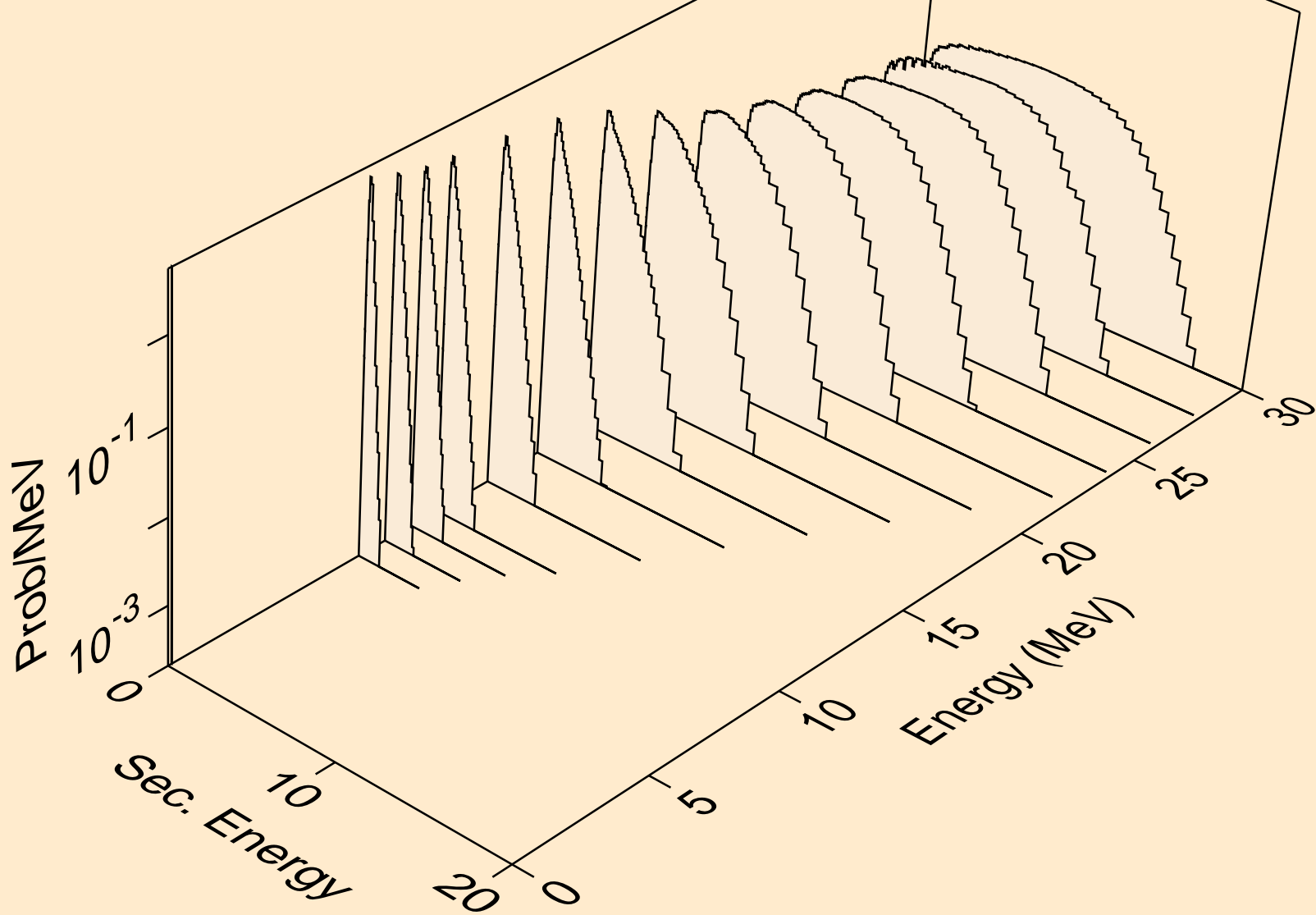
BH266 DEUTERON ACER TENDL-2021 LIBRARY; T=0.K  
neutrons from (d,2np)



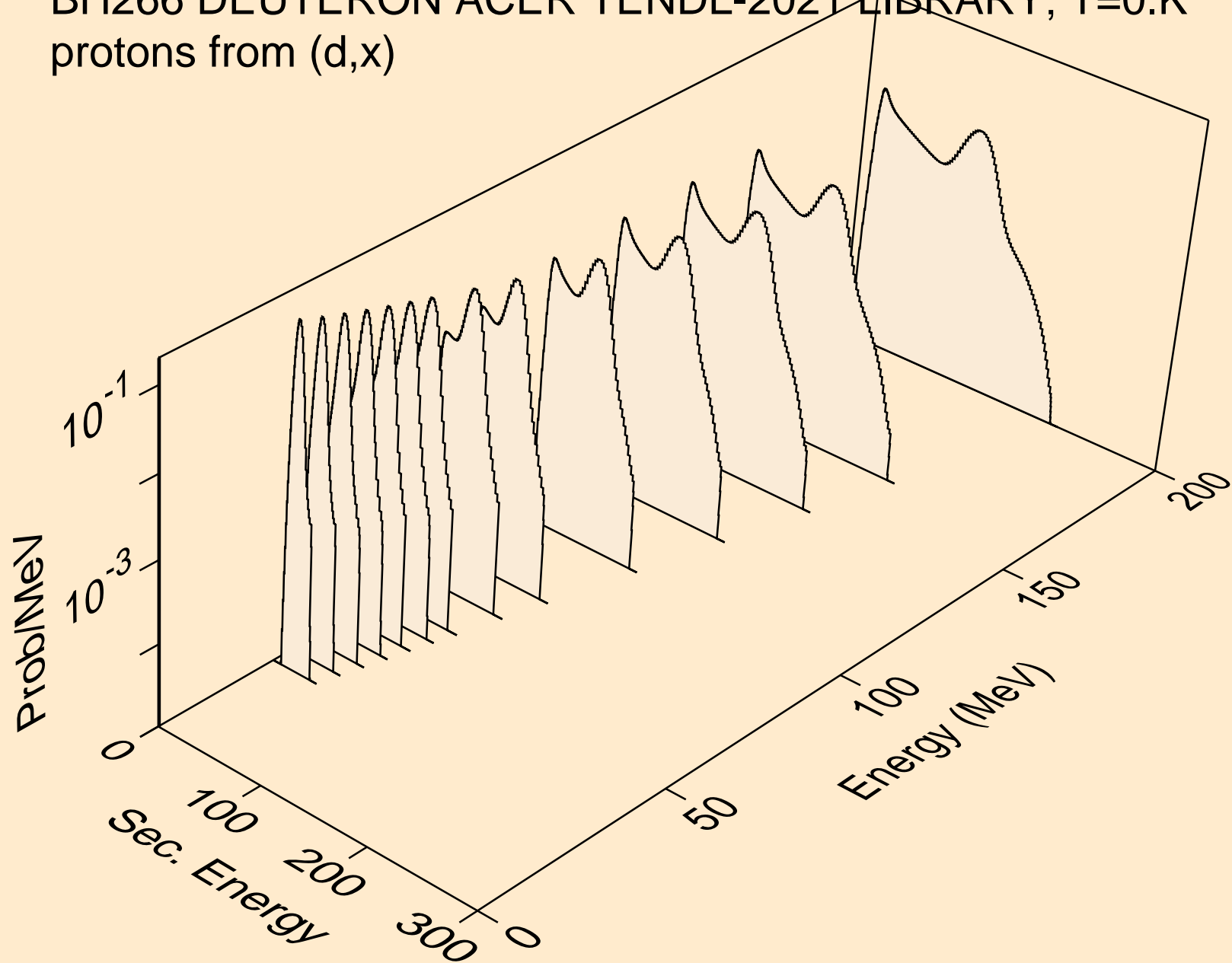
BH266 DEUTERON ACER TENDL-2021 LIBRARY; T=0.K  
neutrons from (d,2np)



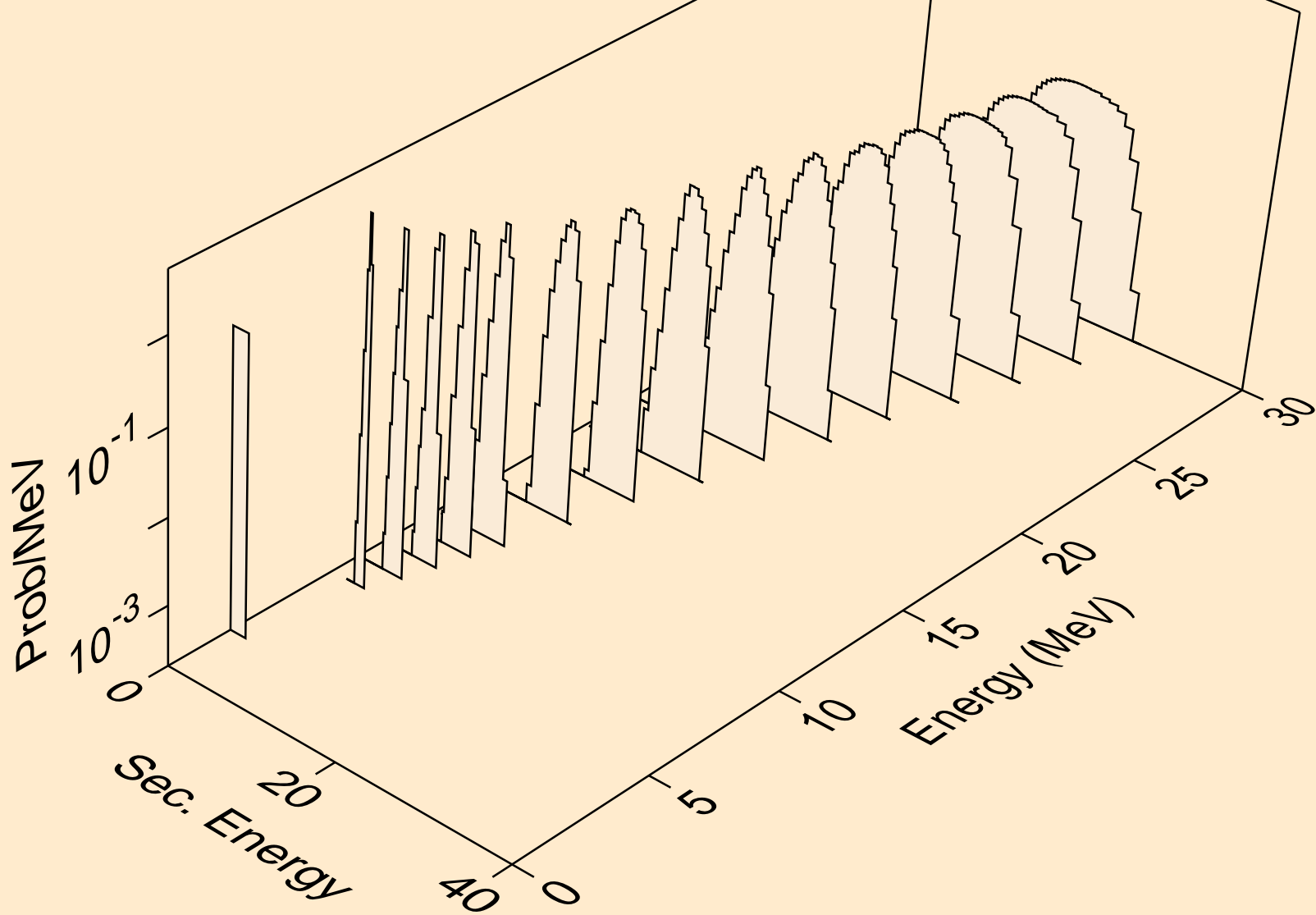
BH266 DEUTERON ACER TENDL-2021 LIBRARY; T=0.K  
neutrons from (d,npa)



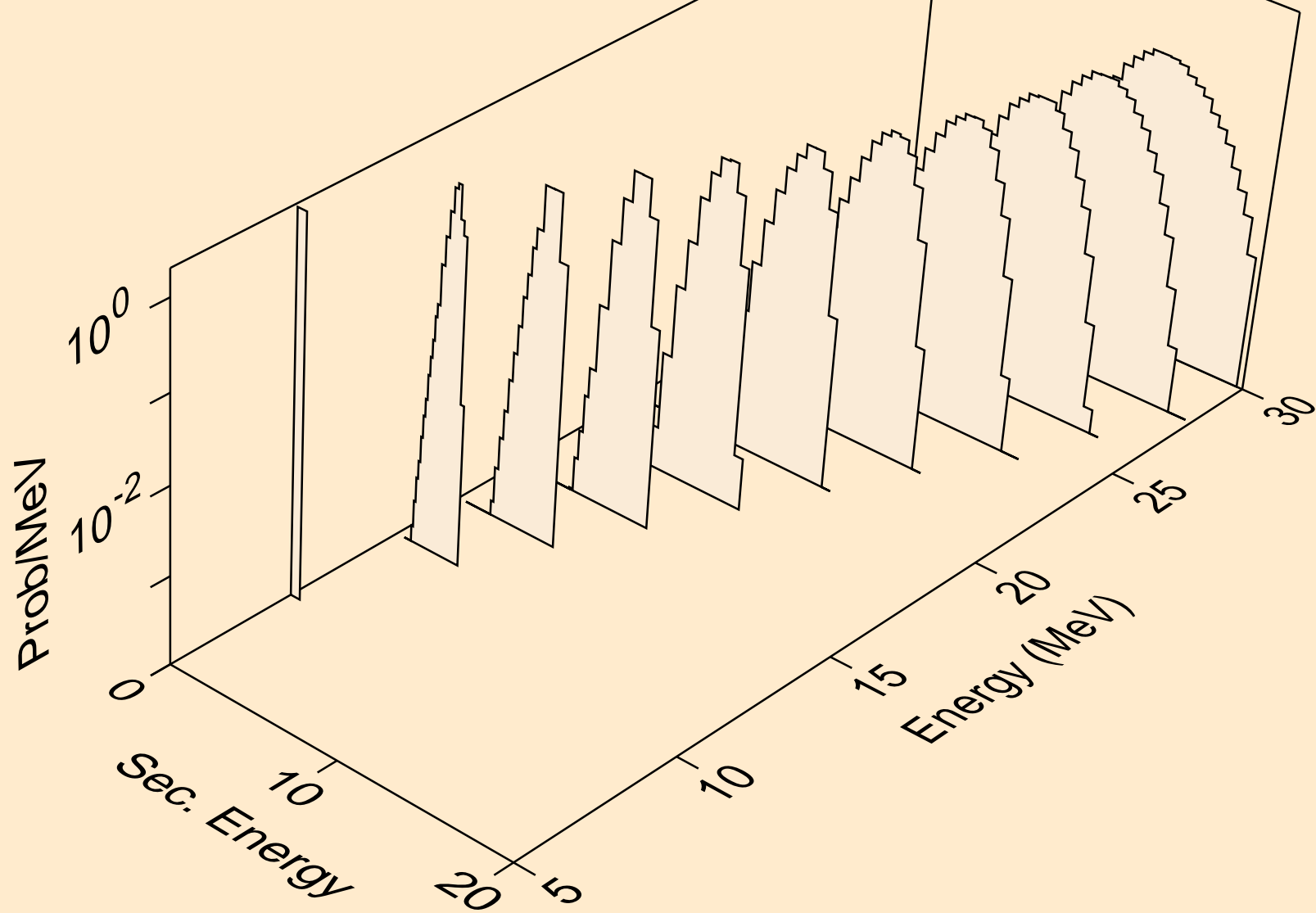
BH266 DEUTERON ACER TENDL-2021 LIBRARY; T=0.K  
protons from (d,x)



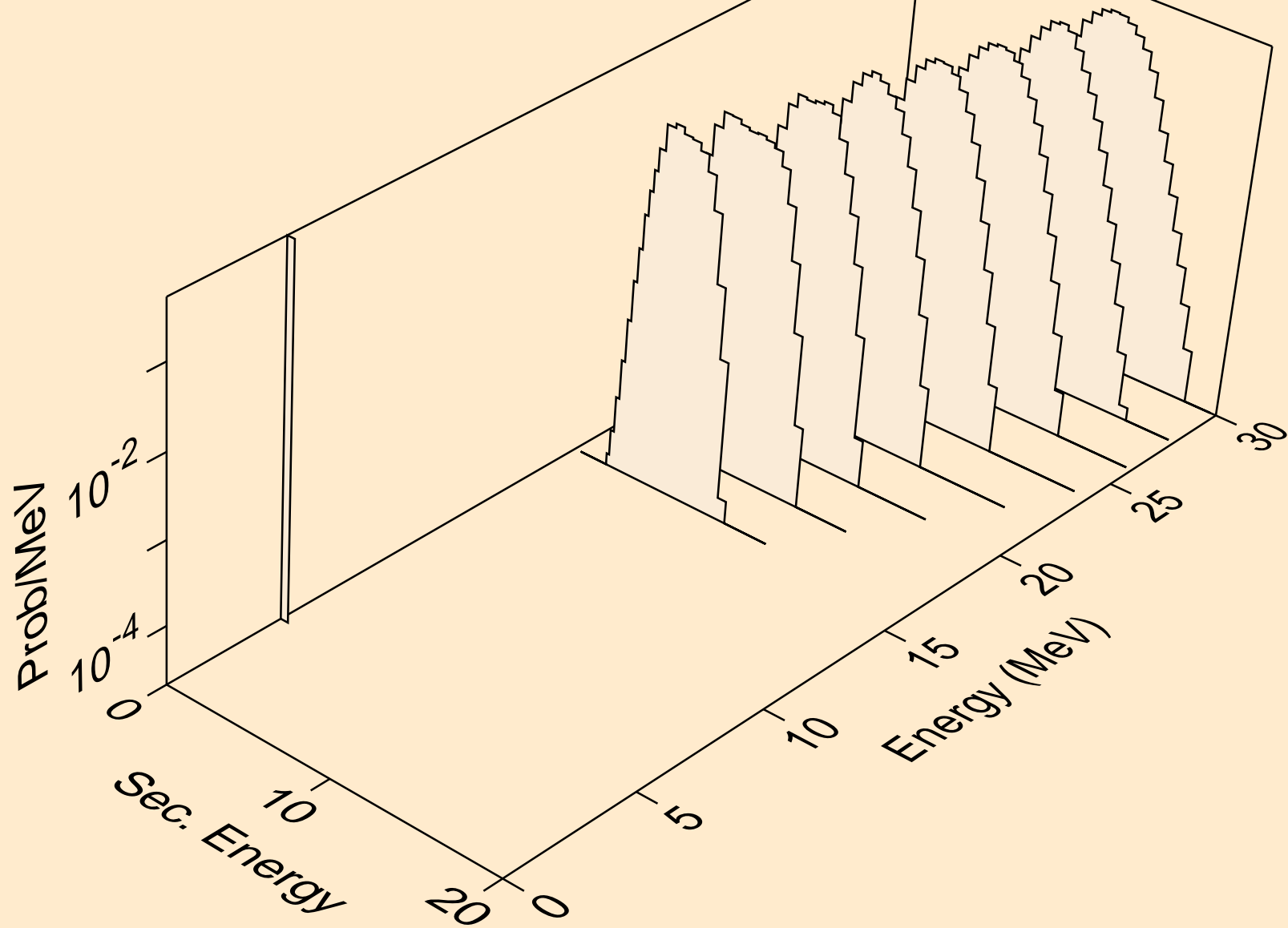
BH266 DEUTERON ACER TENDL-2021 LIBRARY; T=0.K  
protons from (d,n\*)p



BH266 DEUTERON ACER TENDL-2021 LIBRARY; T=0.K  
protons from (d,2np)

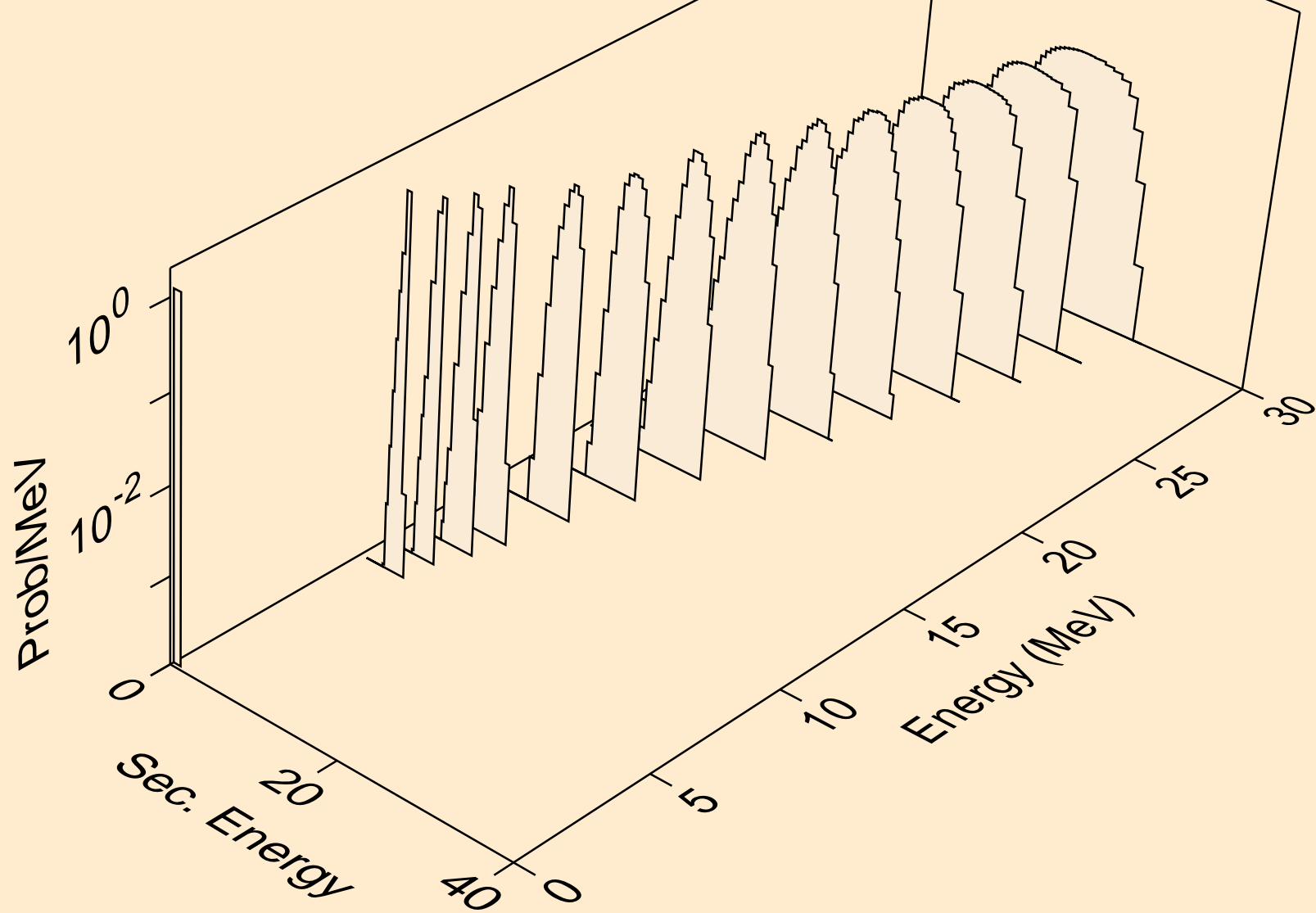


BH266 DEUTERON ACER TENDL-2021 LIBRARY; T=0.K  
protons from (d,2np)

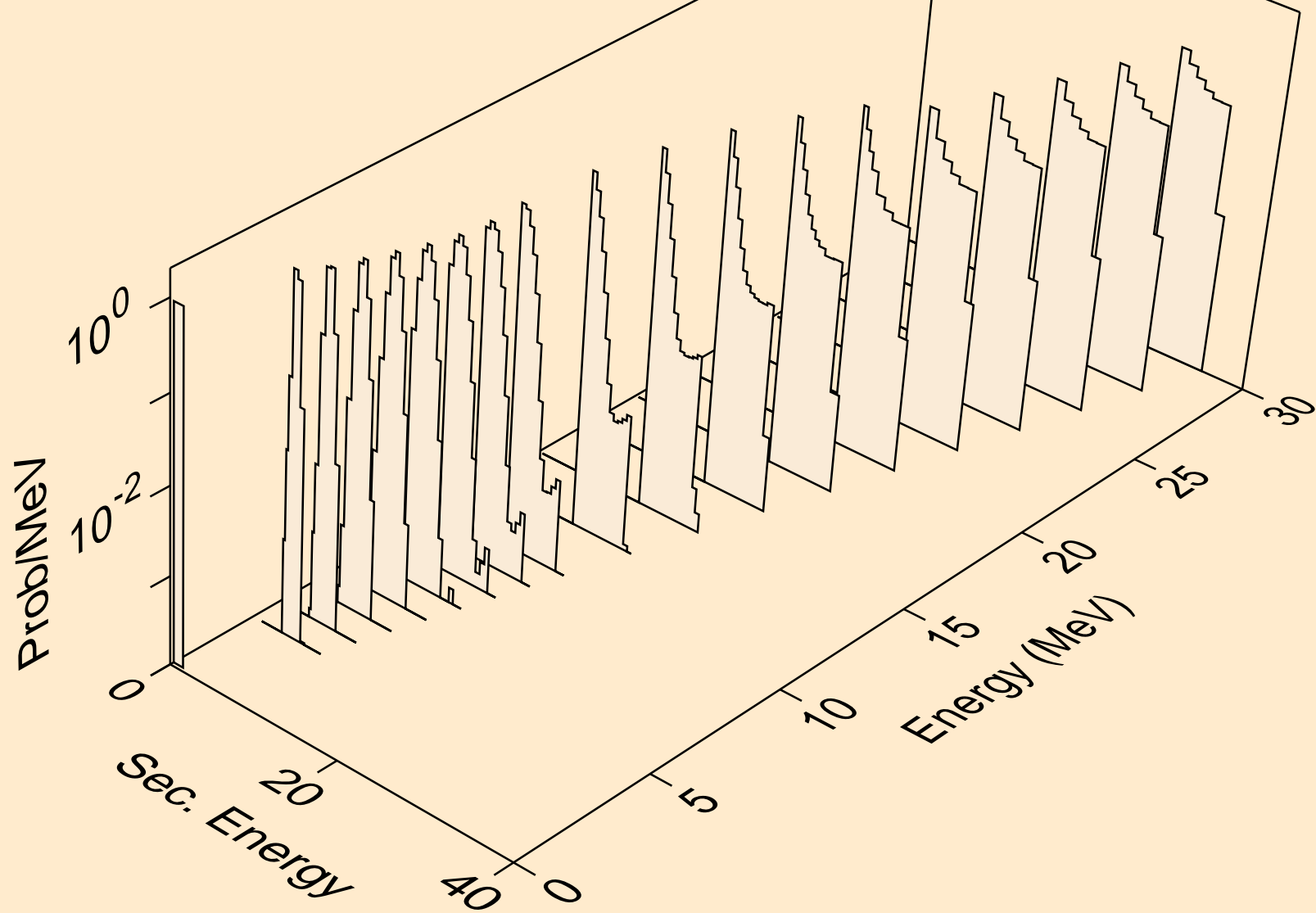




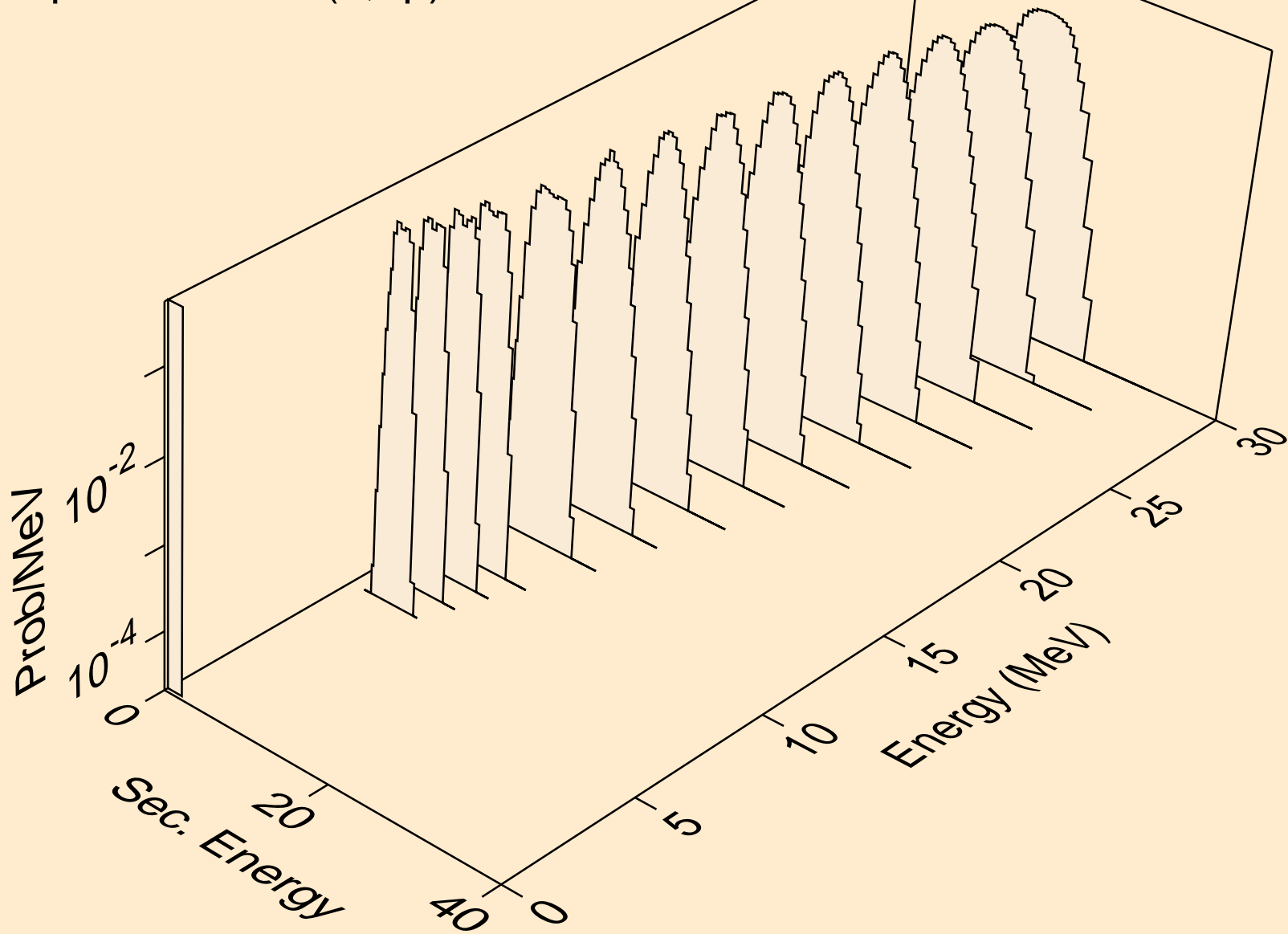
BH266 DEUTERON ACER TENDL-2021 LIBRARY; T=0.K  
protons from (d,npa)



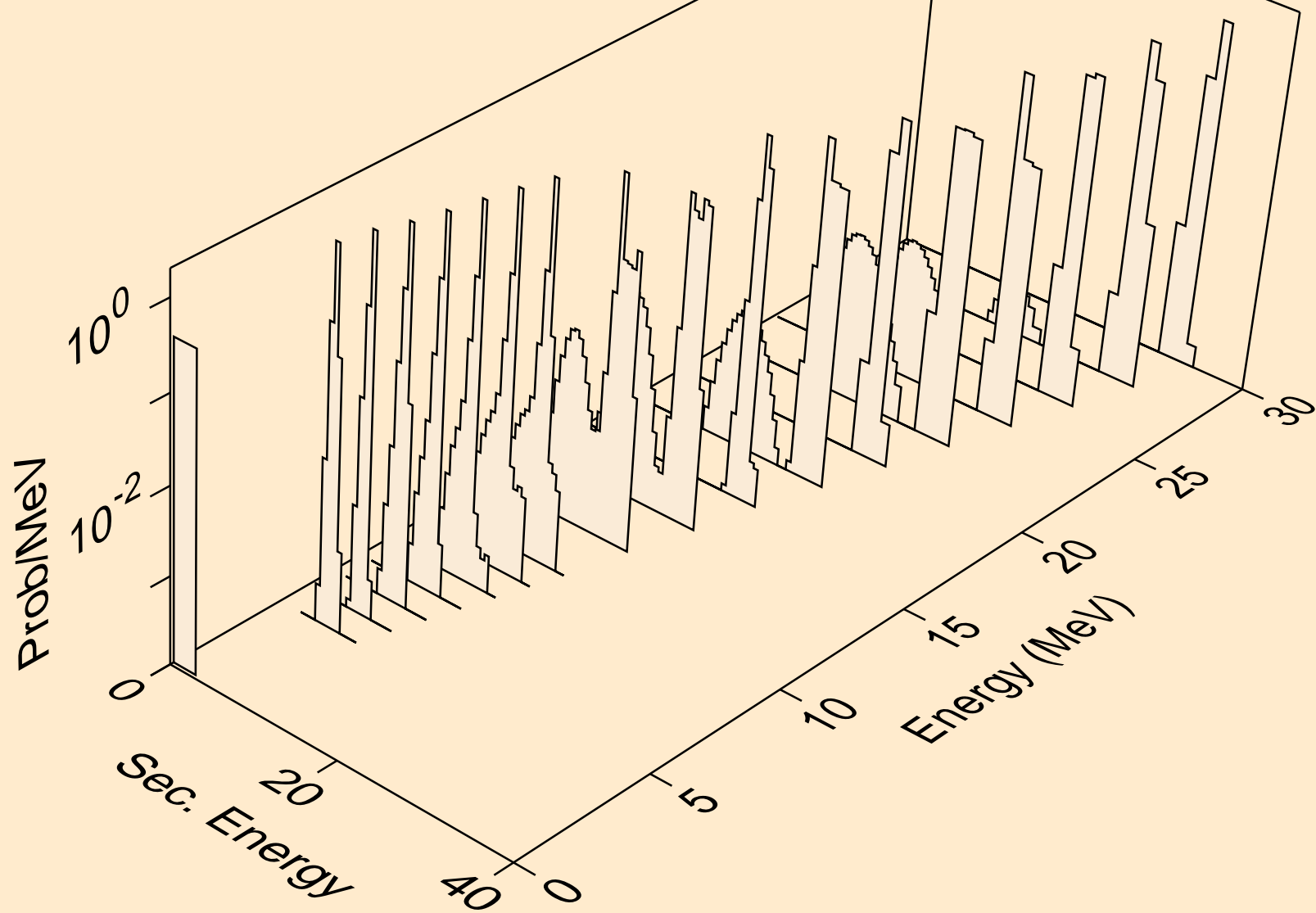
BH266 DEUTERON ACER TENDL-2021 LIBRARY; T=0.K  
protons from (d,p)



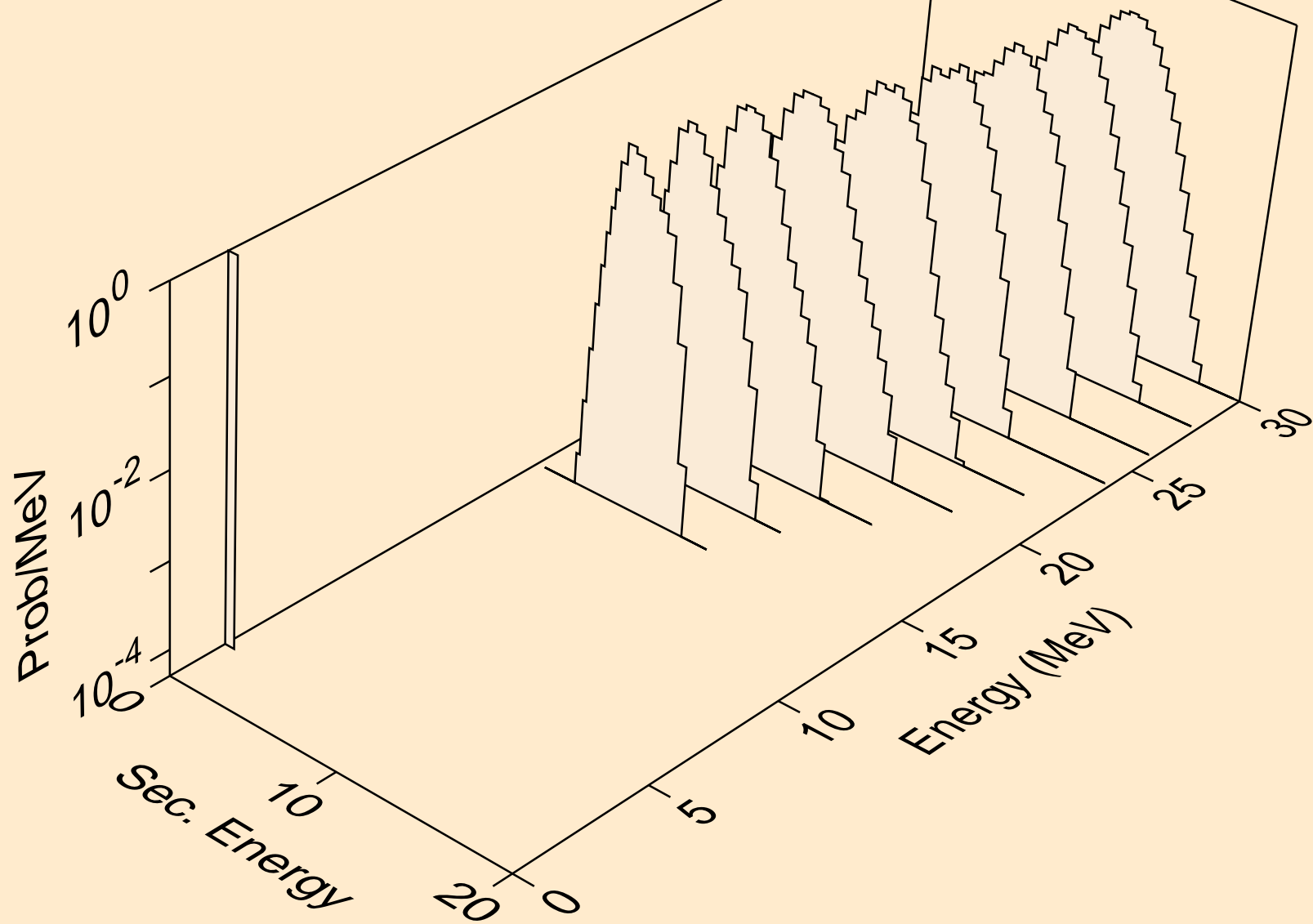
BH266 DEUTERON ACER TENDL-2021 LIBRARY; T=0.K  
protons from (d,2p)



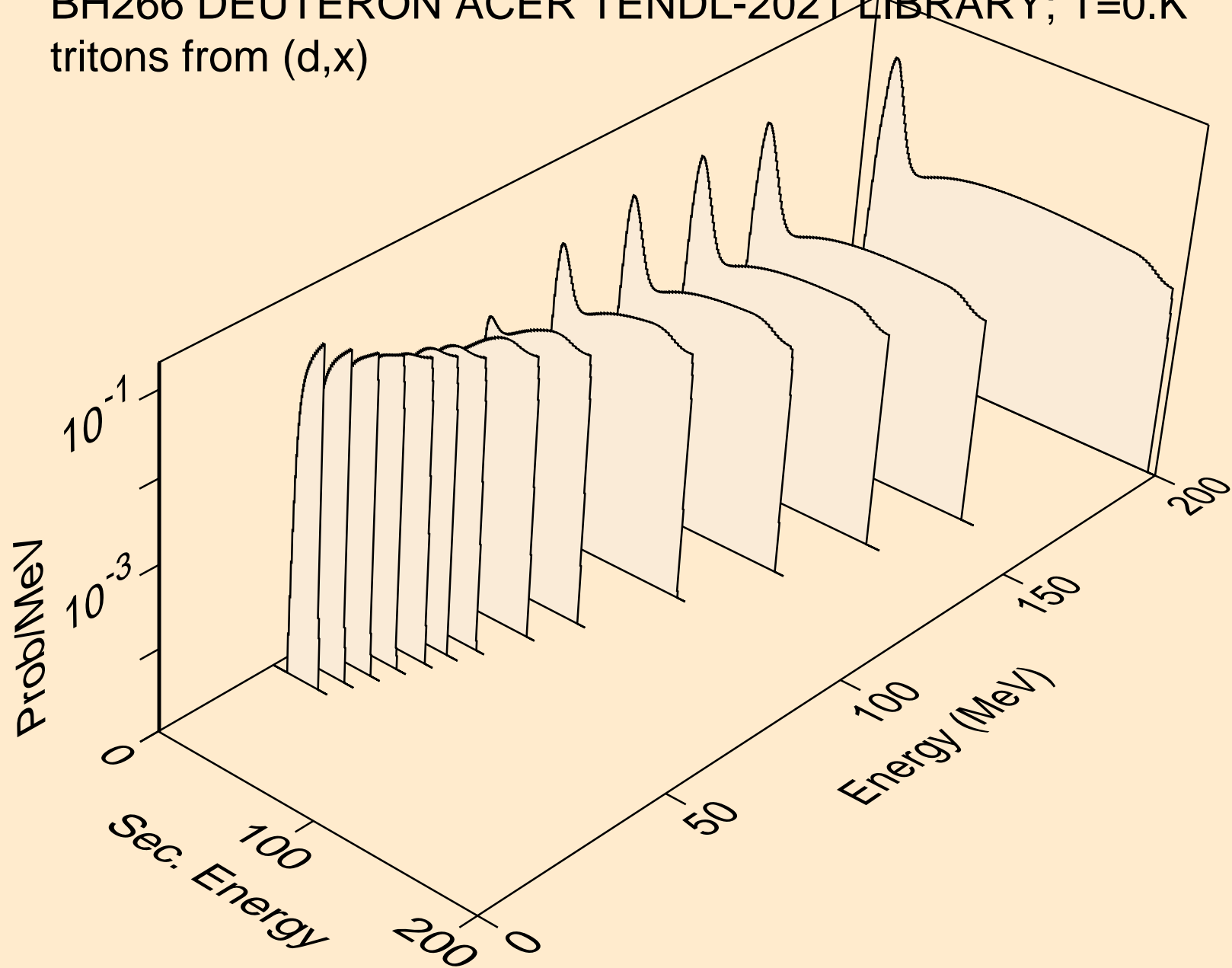
BH266 DEUTERON ACER TENDL-2021 LIBRARY; T=0.K  
protons from (d,pa)



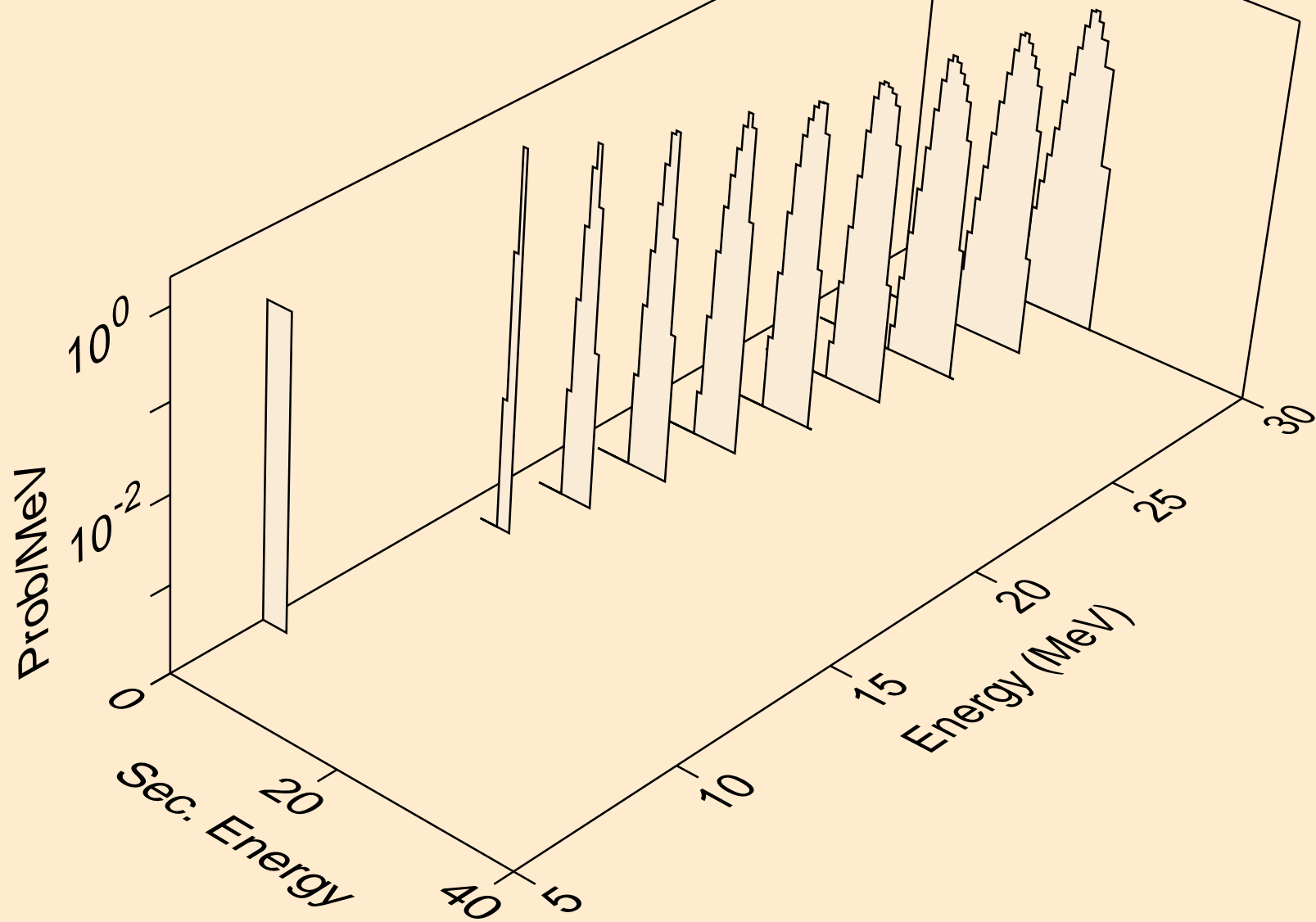
BH266 DEUTERON ACER TENDL-2021 LIBRARY; T=0.K  
protons from (d,pd)



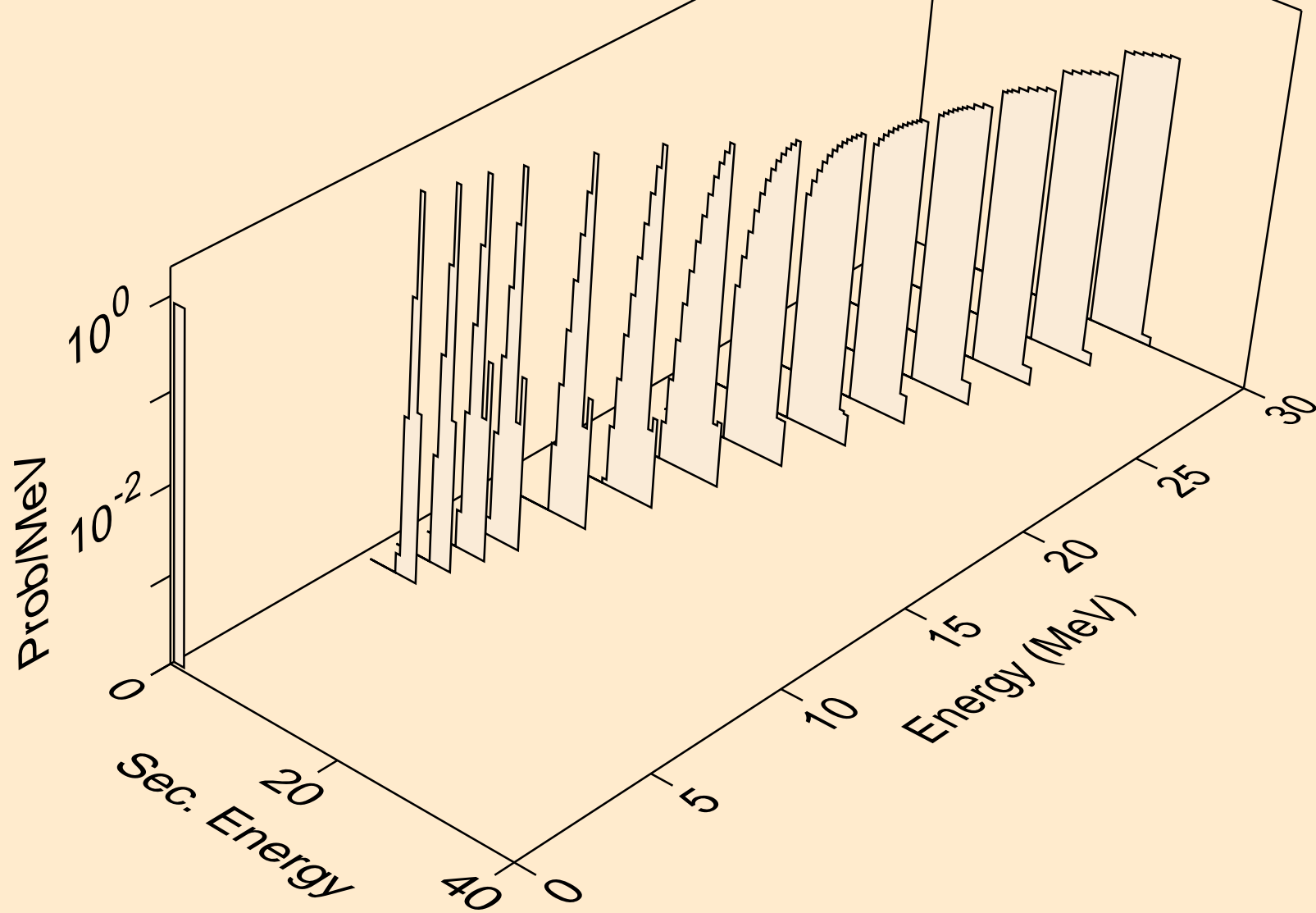
BH266 DEUTERON ACER TENDL-2021 LIBRARY; T=0.K  
tritons from (d,x)



BH266 DEUTERON ACER TENDL-2021 LIBRARY; T=0.K  
tritons from (d,n\*)t

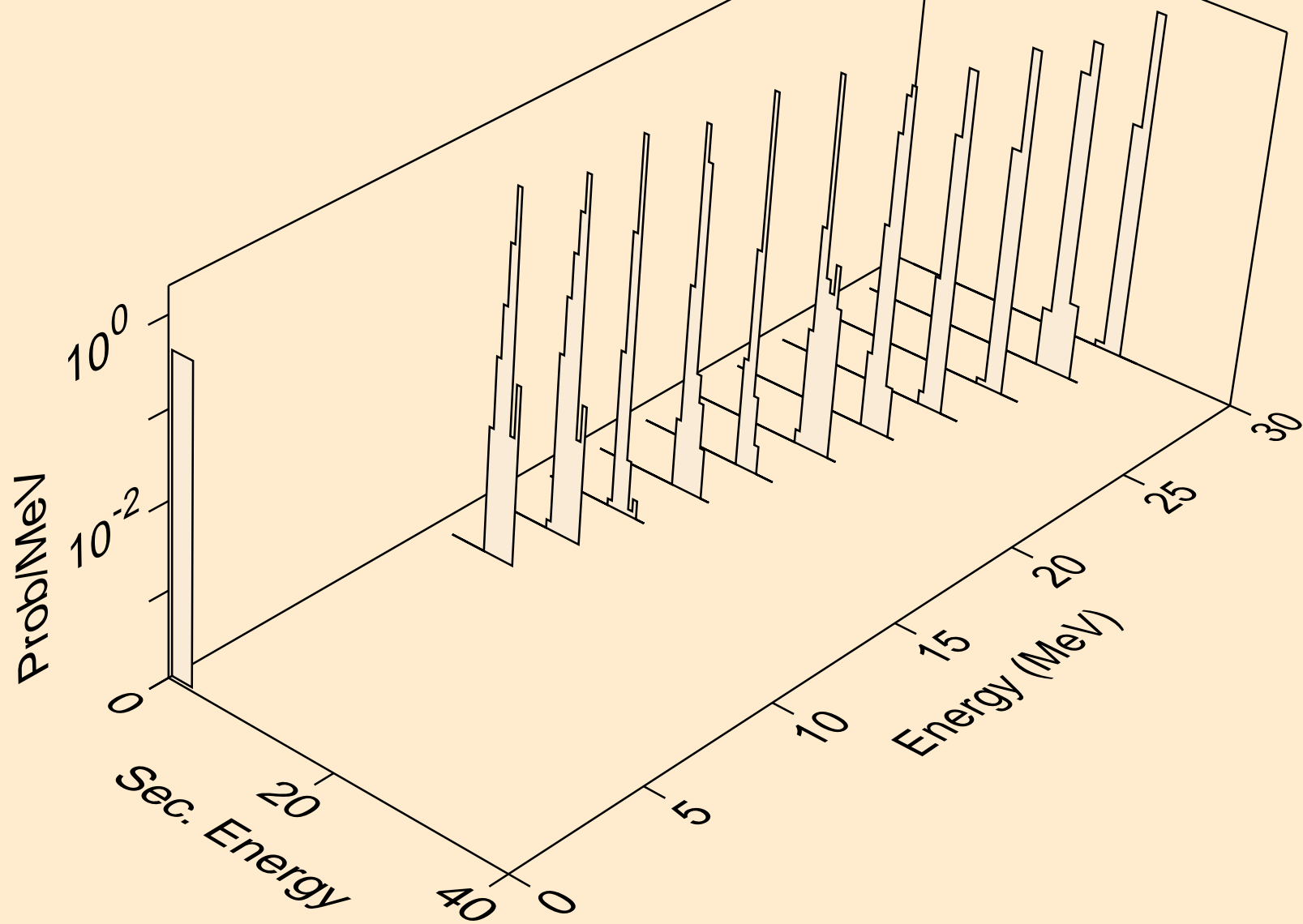


BH266 DEUTERON ACER TENDL-2021 LIBRARY; T=0.K  
tritons from (d,t)

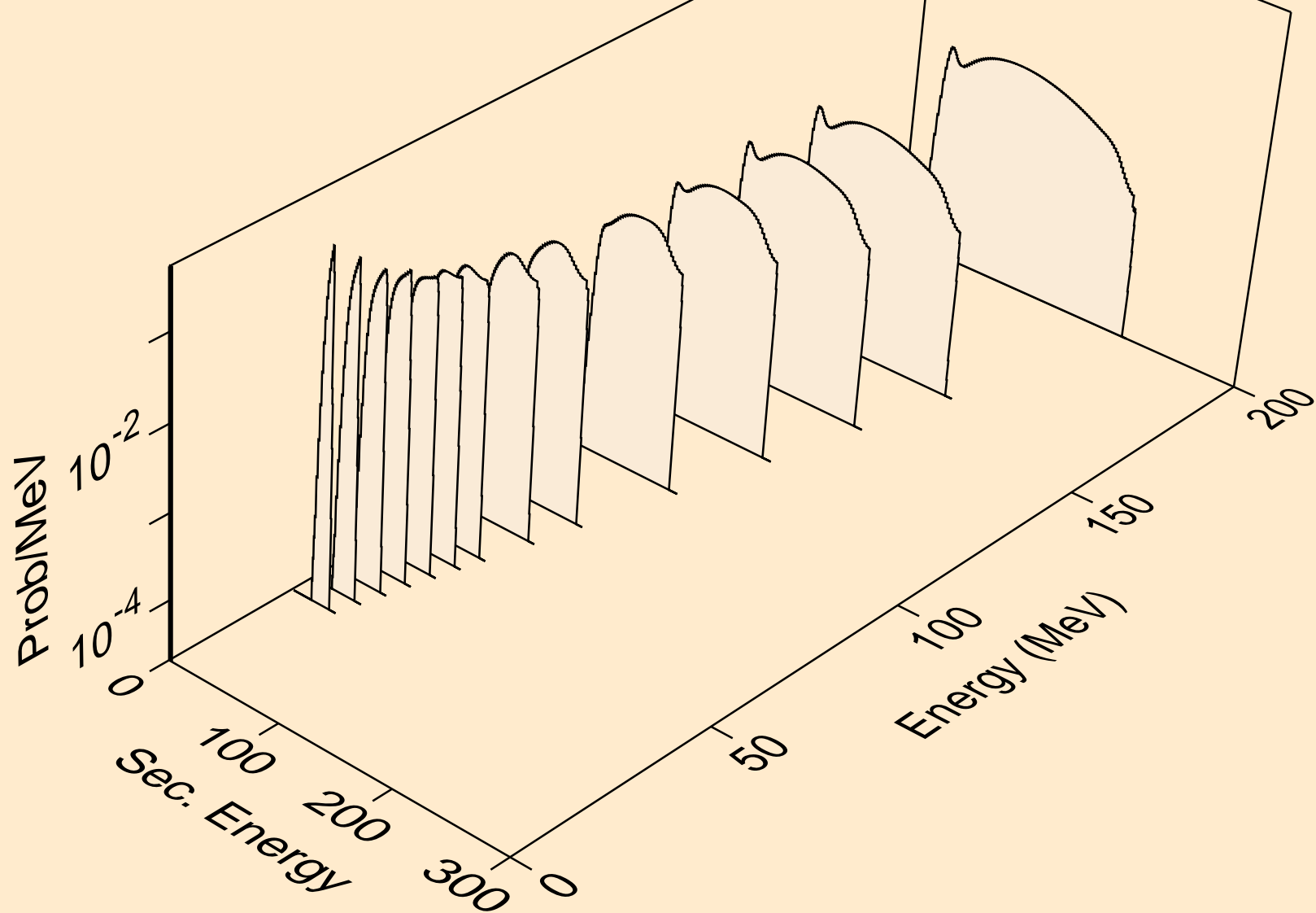




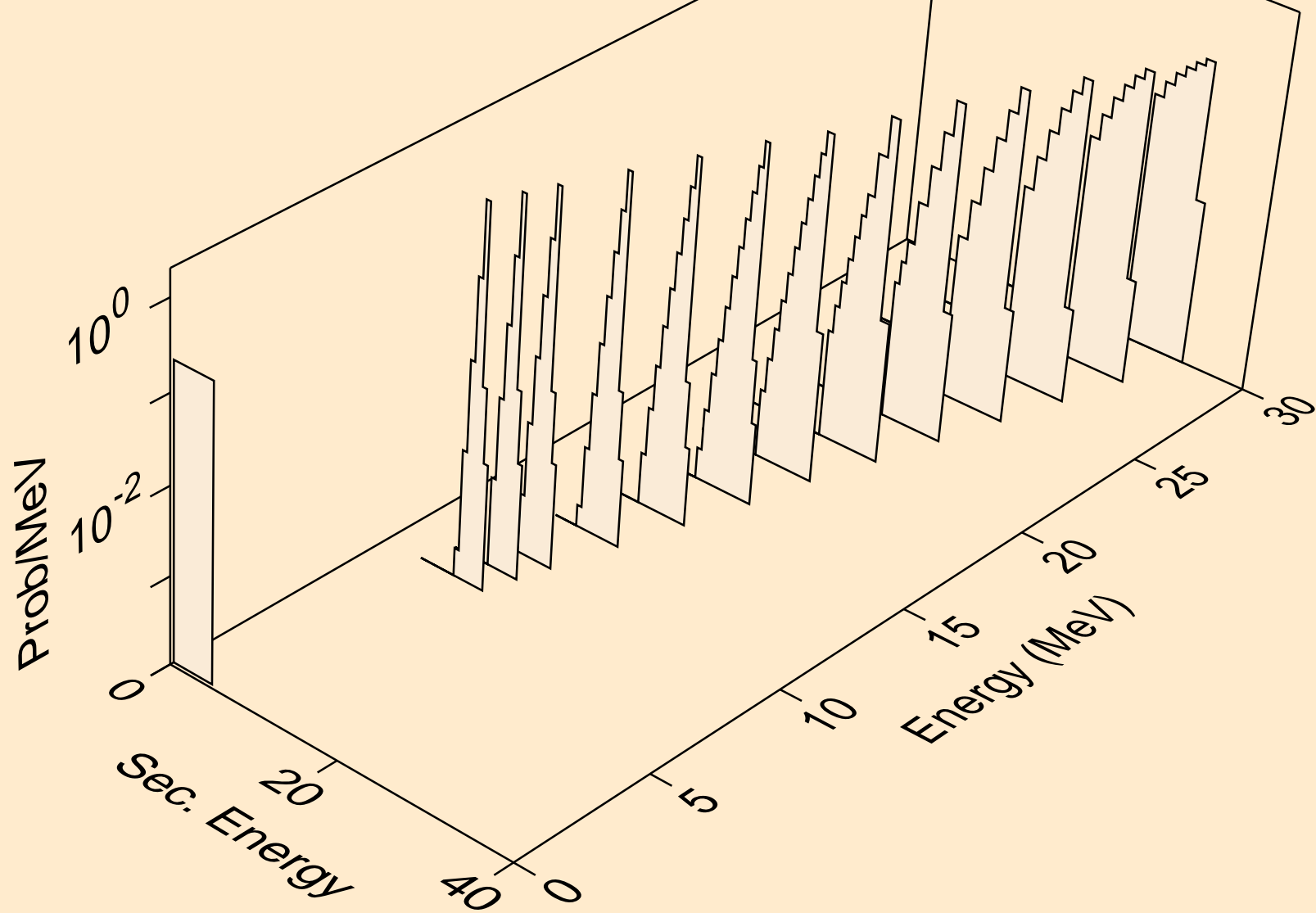
BH266 DEUTERON ACER TENDL-2021 LIBRARY; T=0.K  
tritons from (d,t2a)



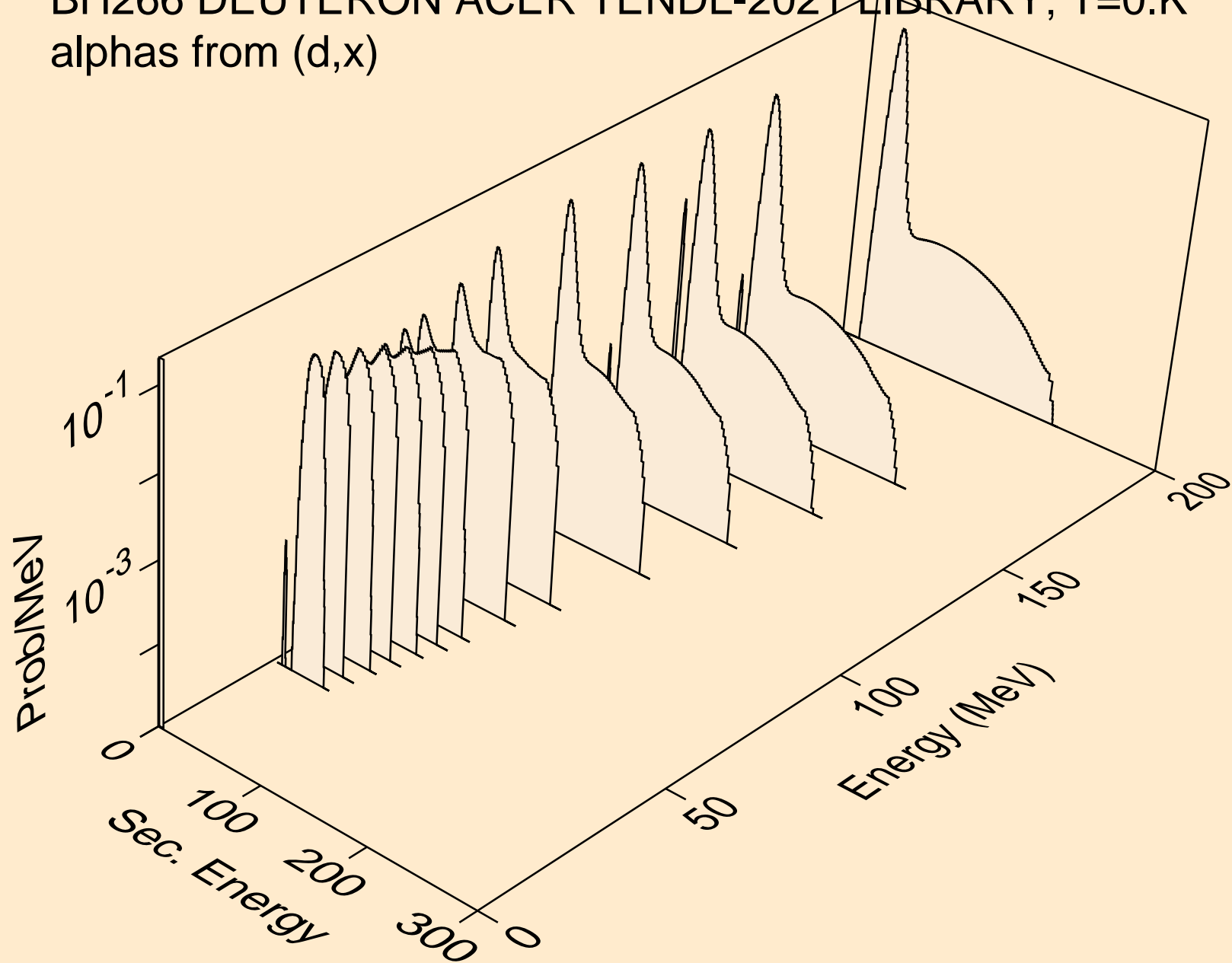
BH266 DEUTERON ACER TENDL-2021 LIBRARY; T=0.K  
he3s from (d,x)



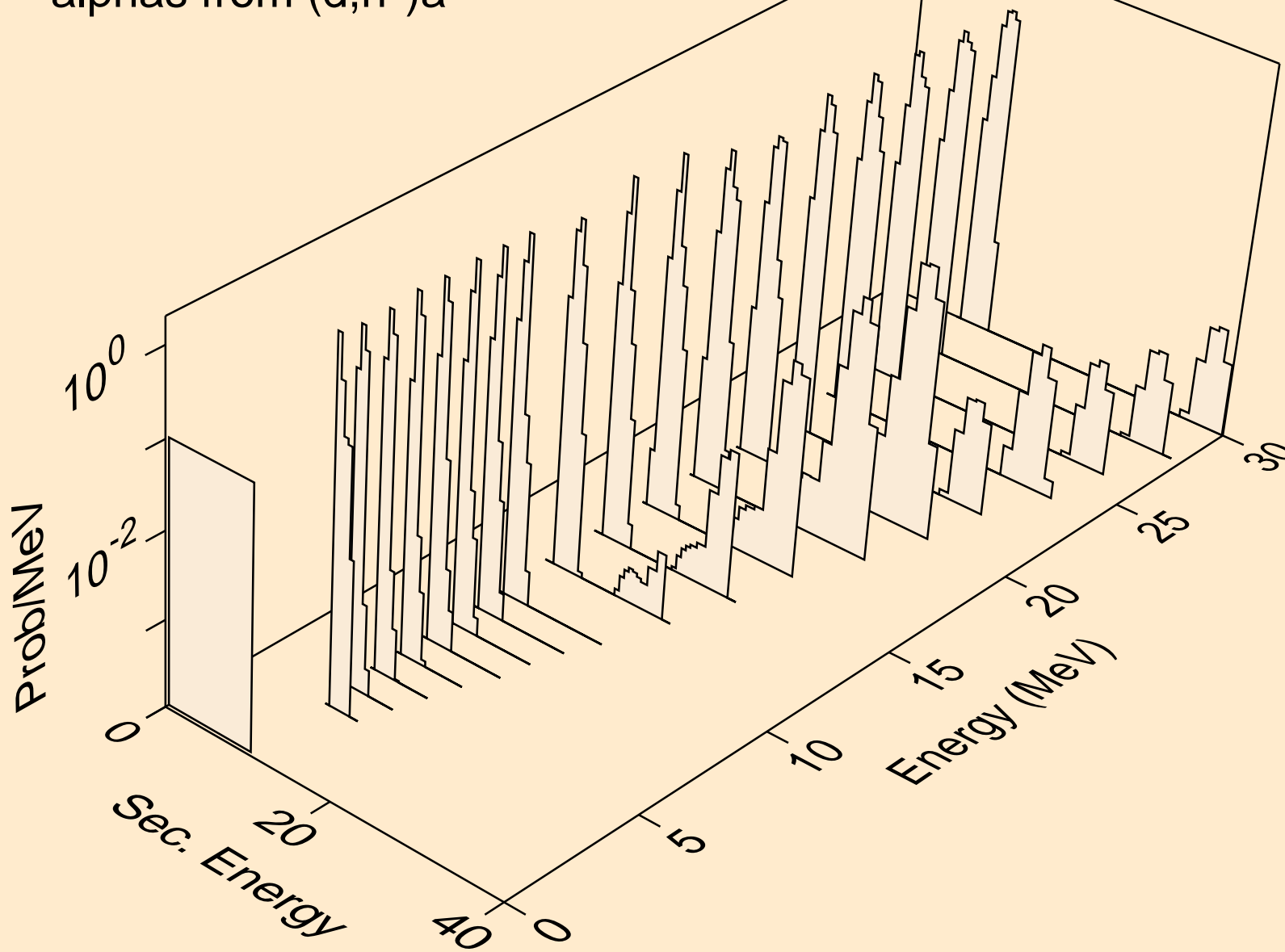
BH266 DEUTERON ACER TENDL-2021 LIBRARY; T=0.K  
he3s from (d,he3)



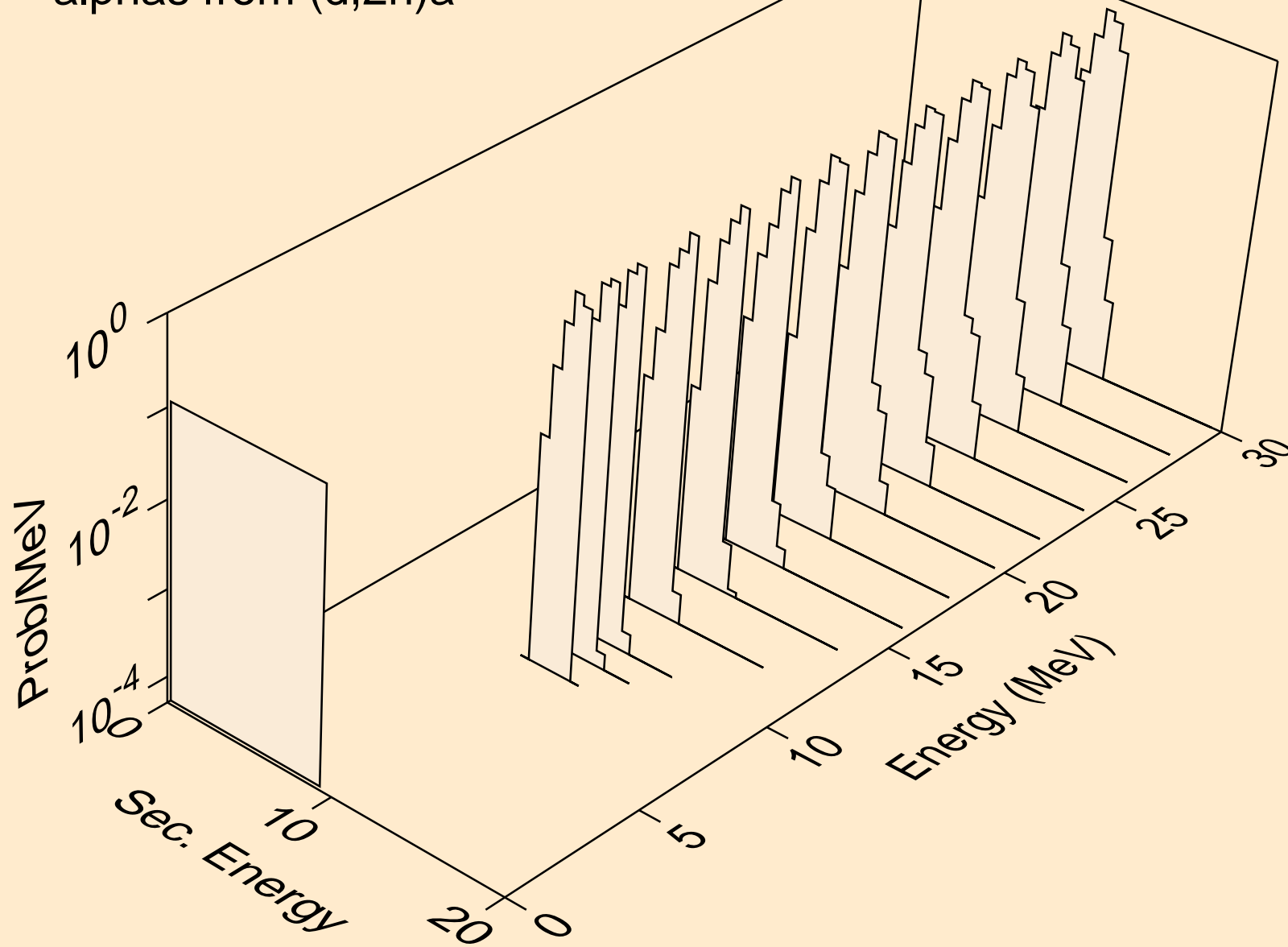
BH266 DEUTERON ACER TENDL-2021 LIBRARY; T=0.K  
alphas from (d,x)



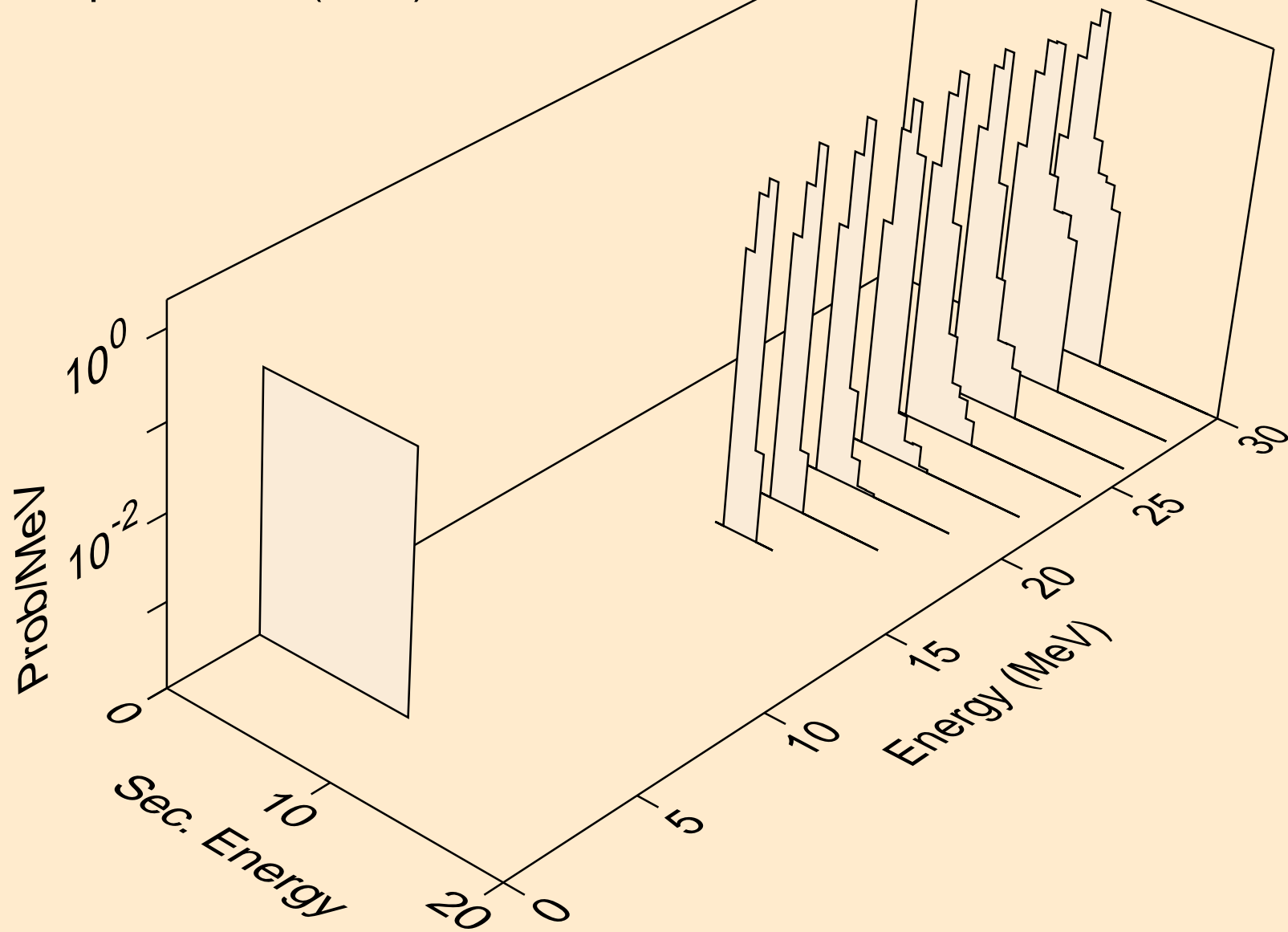
BH266 DEUTERON ACER TENDL-2021 LIBRARY; T=0.K  
alphas from (d,n\*)a



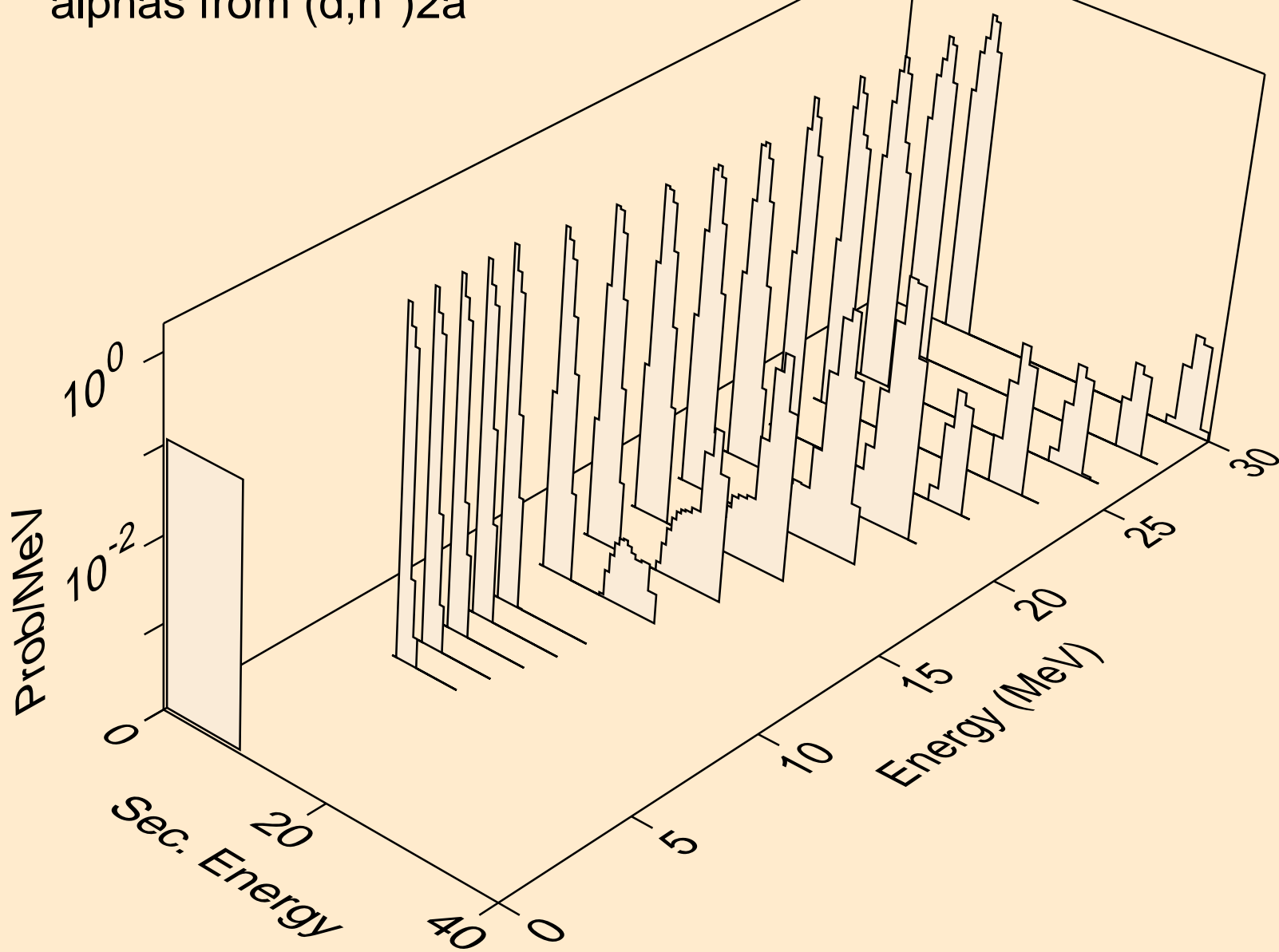
BH266 DEUTERON ACER TENDL-2021 LIBRARY; T=0.K  
alphas from (d,2n)a



BH266 DEUTERON ACER TENDL-2021 LIBRARY; T=0.K  
alphas from (d,3n)a

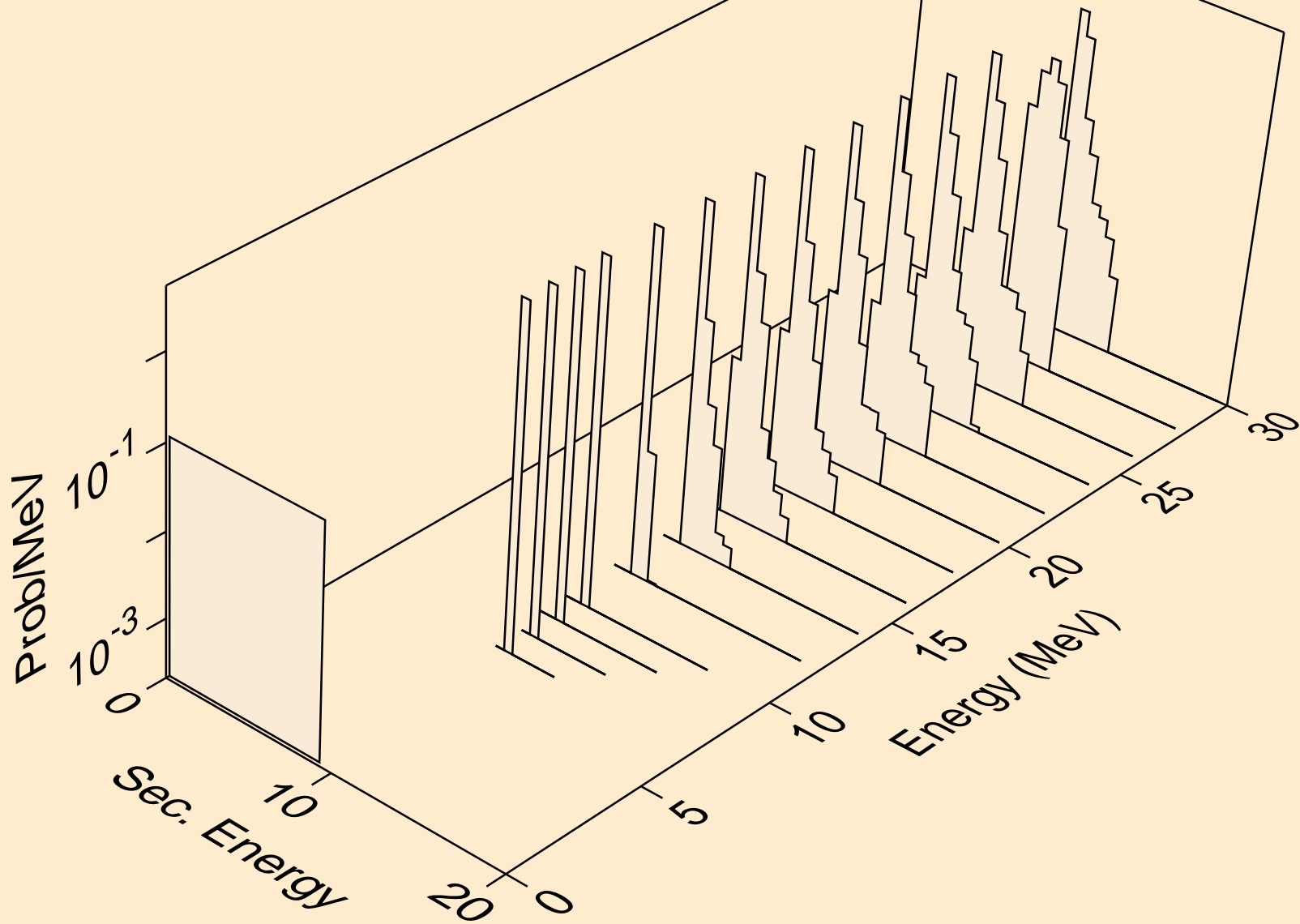


BH266 DEUTERON ACER TENDL-2021 LIBRARY; T=0.K  
alphas from (d,n\*)2a

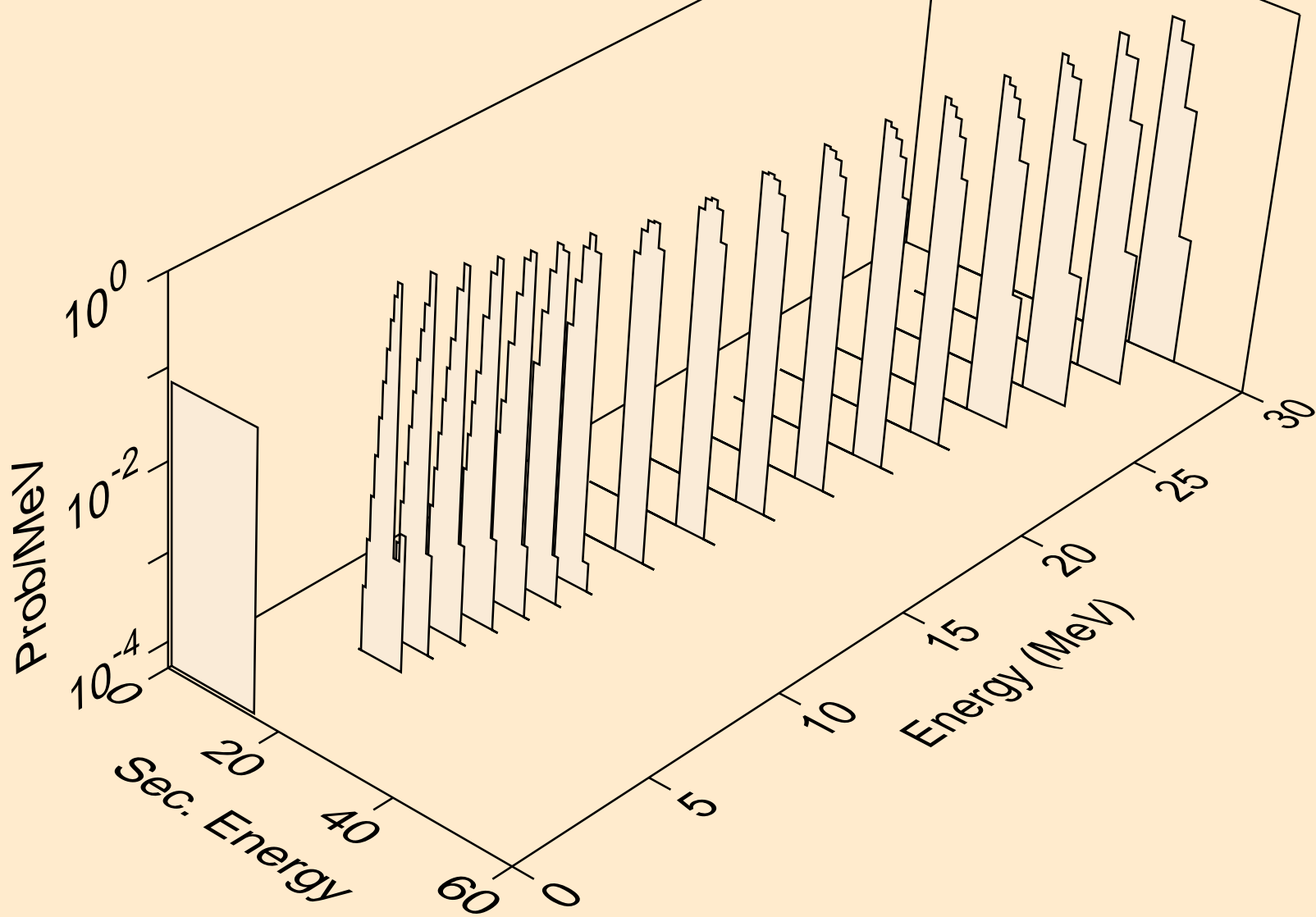




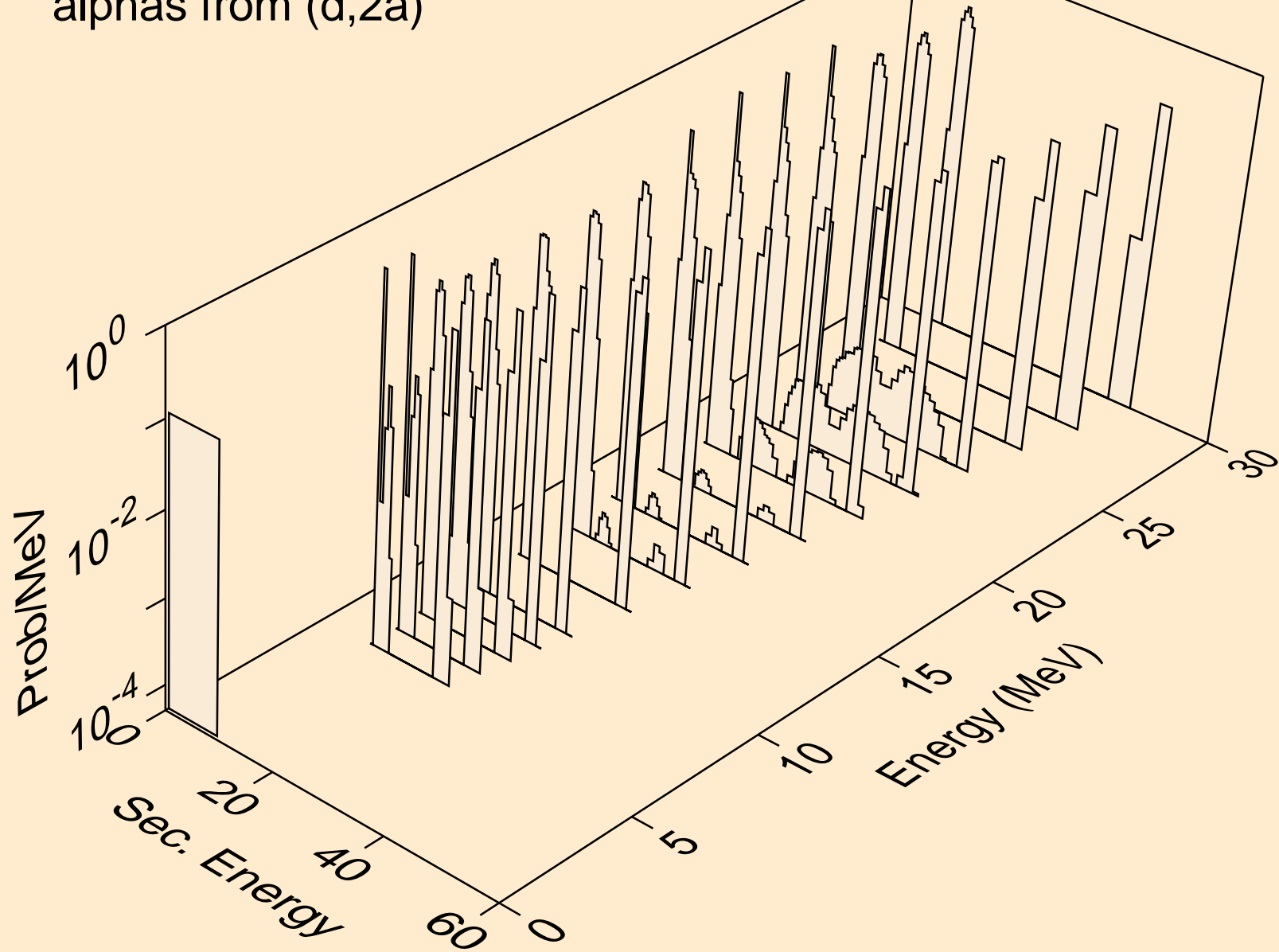
BH266 DEUTERON ACER TENDL-2021 LIBRARY; T=0.K  
alphas from (d,npa)



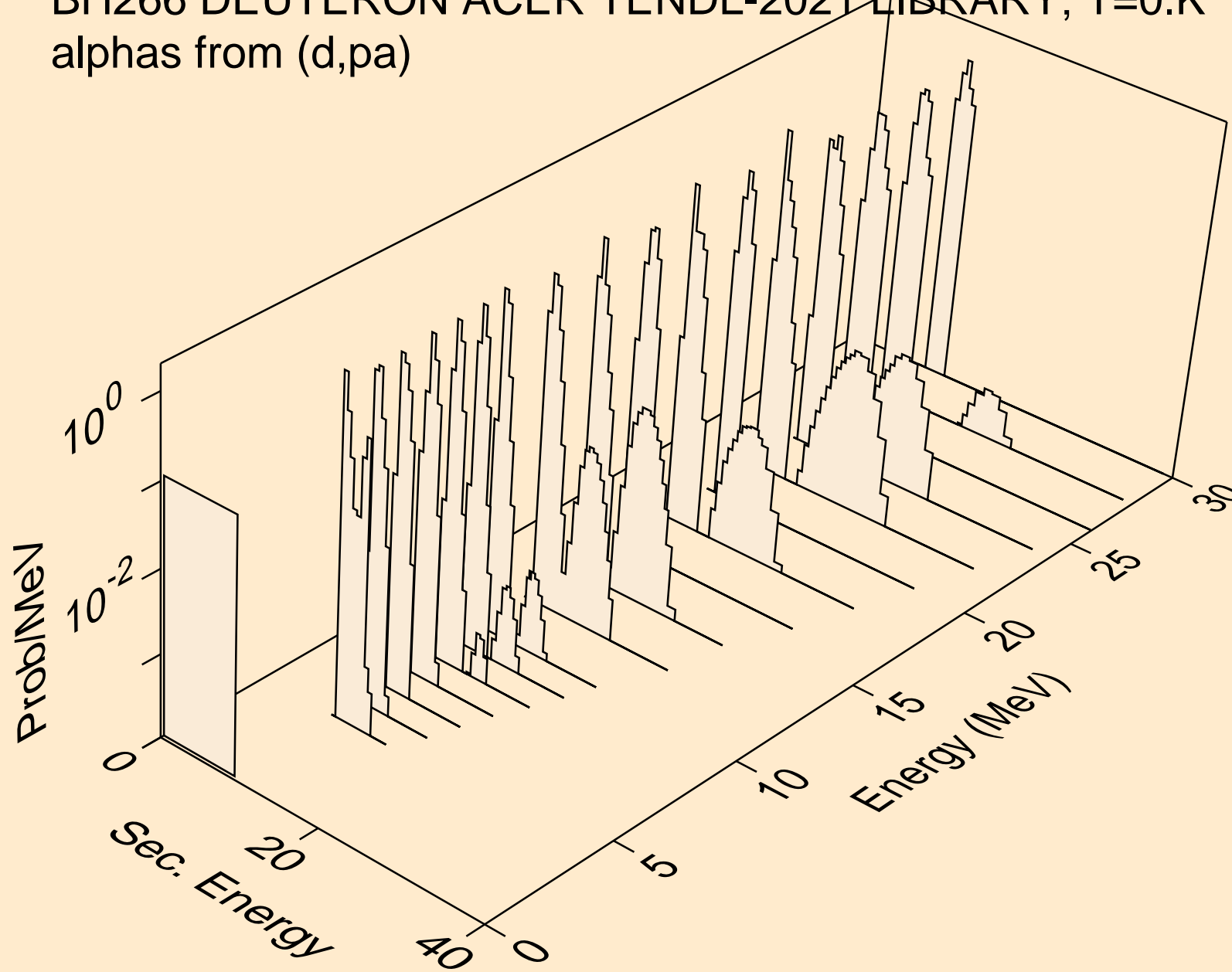
BH266 DEUTERON ACER TENDL-2021 LIBRARY; T=0.K  
alphas from (d,a)



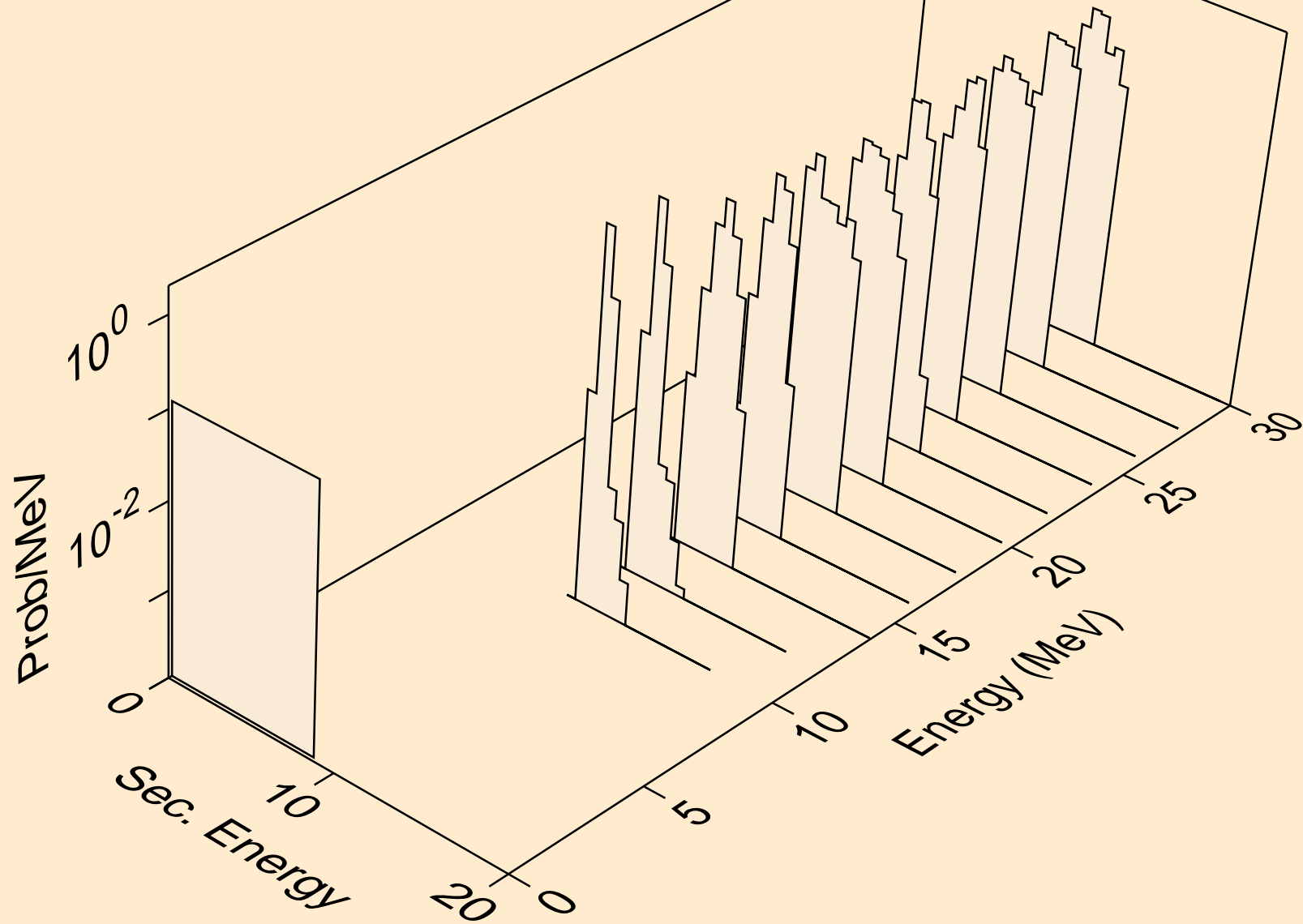
BH266 DEUTERON ACER TENDL-2021 LIBRARY; T=0.K  
alphas from (d,2a)



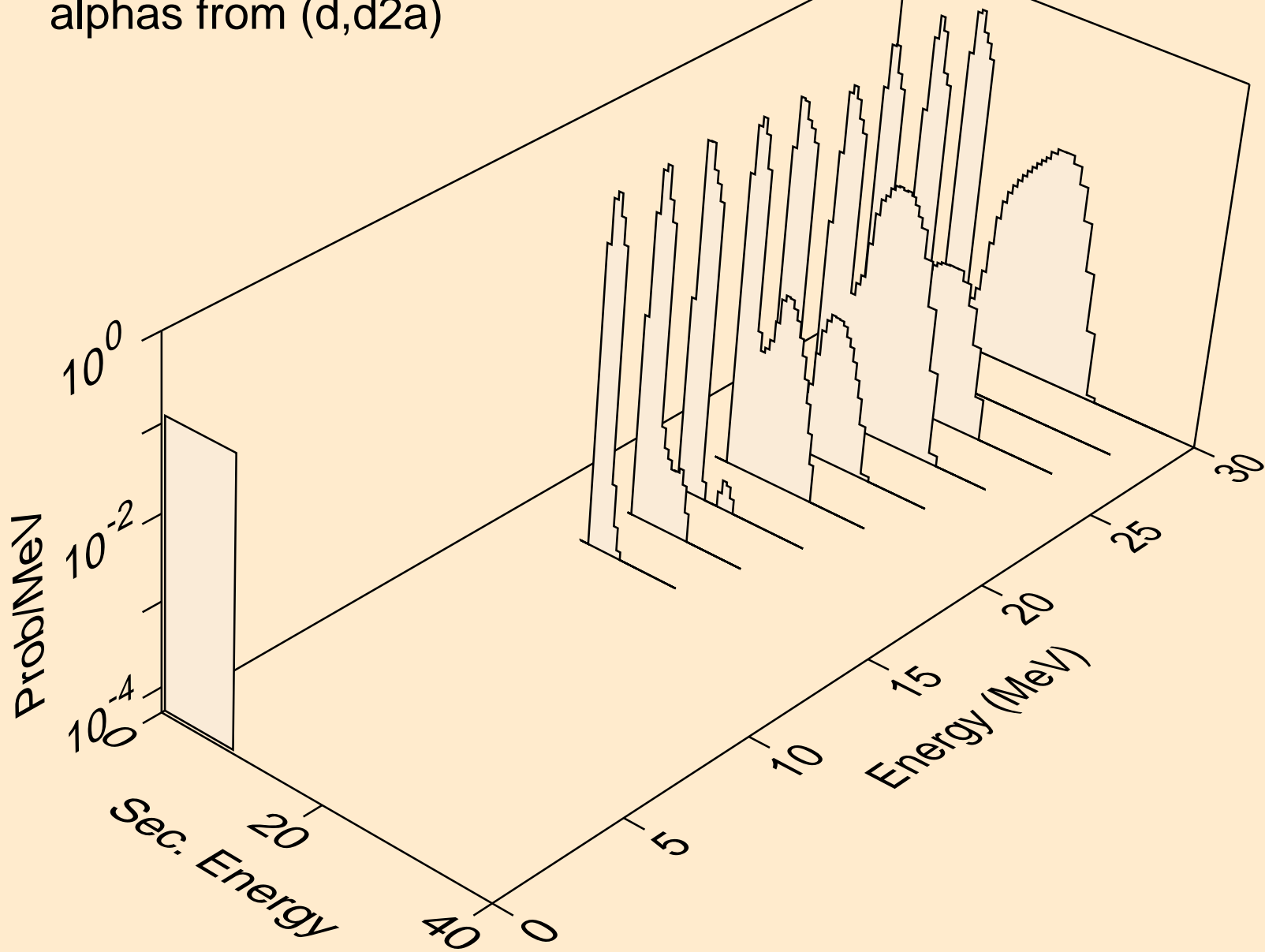
BH266 DEUTERON ACER TENDL-2021 LIBRARY; T=0.K  
alphas from (d,pa)



BH266 DEUTERON ACER TENDL-2021 LIBRARY; T=0.K  
alphas from (d,t2a)



BH266 DEUTERON ACER TENDL-2021 LIBRARY; T=0.K  
alphas from (d,d2a)



BH266 DEUTERON ACER TENDL-2021 LIBRARY; T=0.K  
alphas from (d,da)

