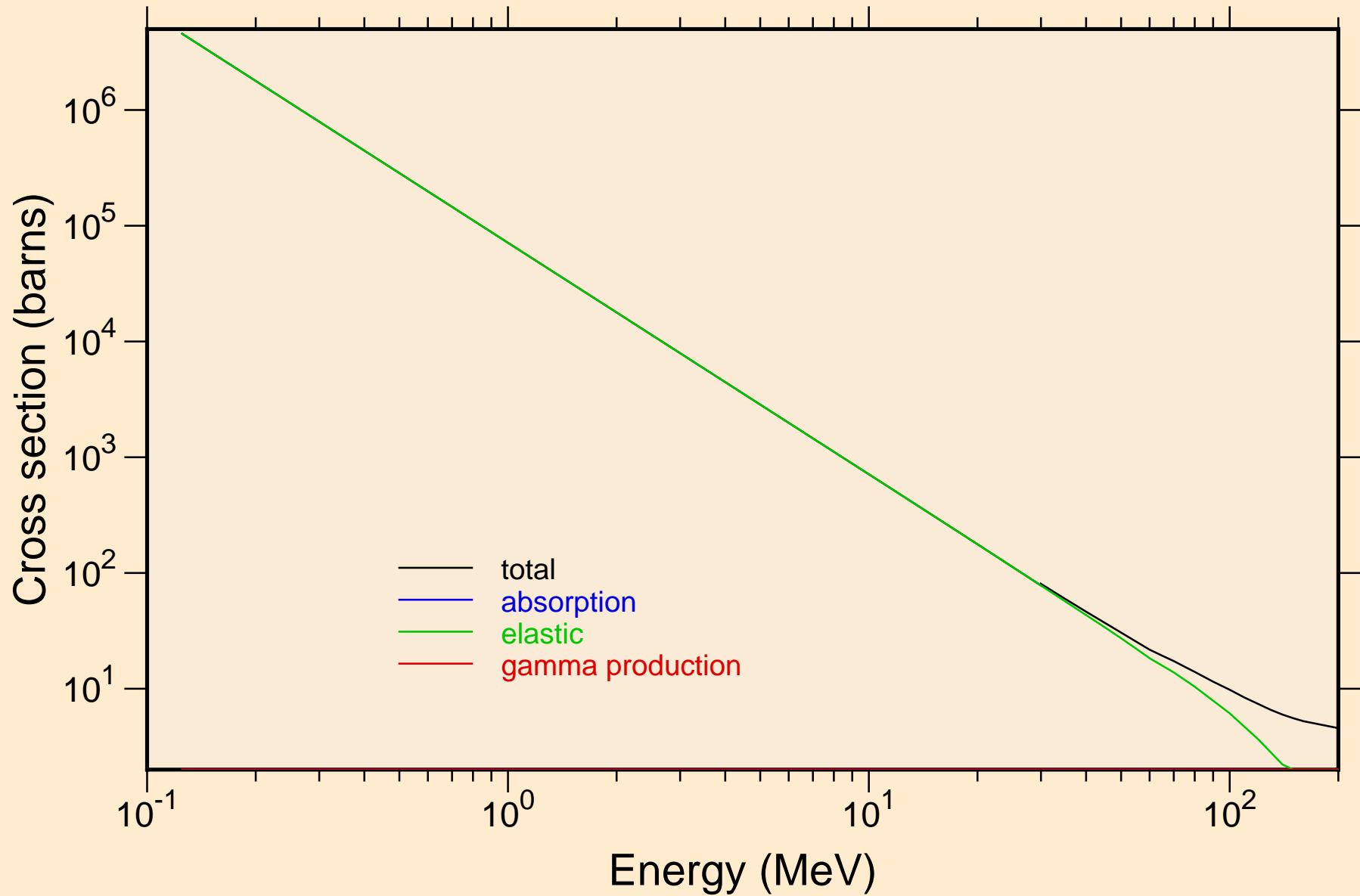
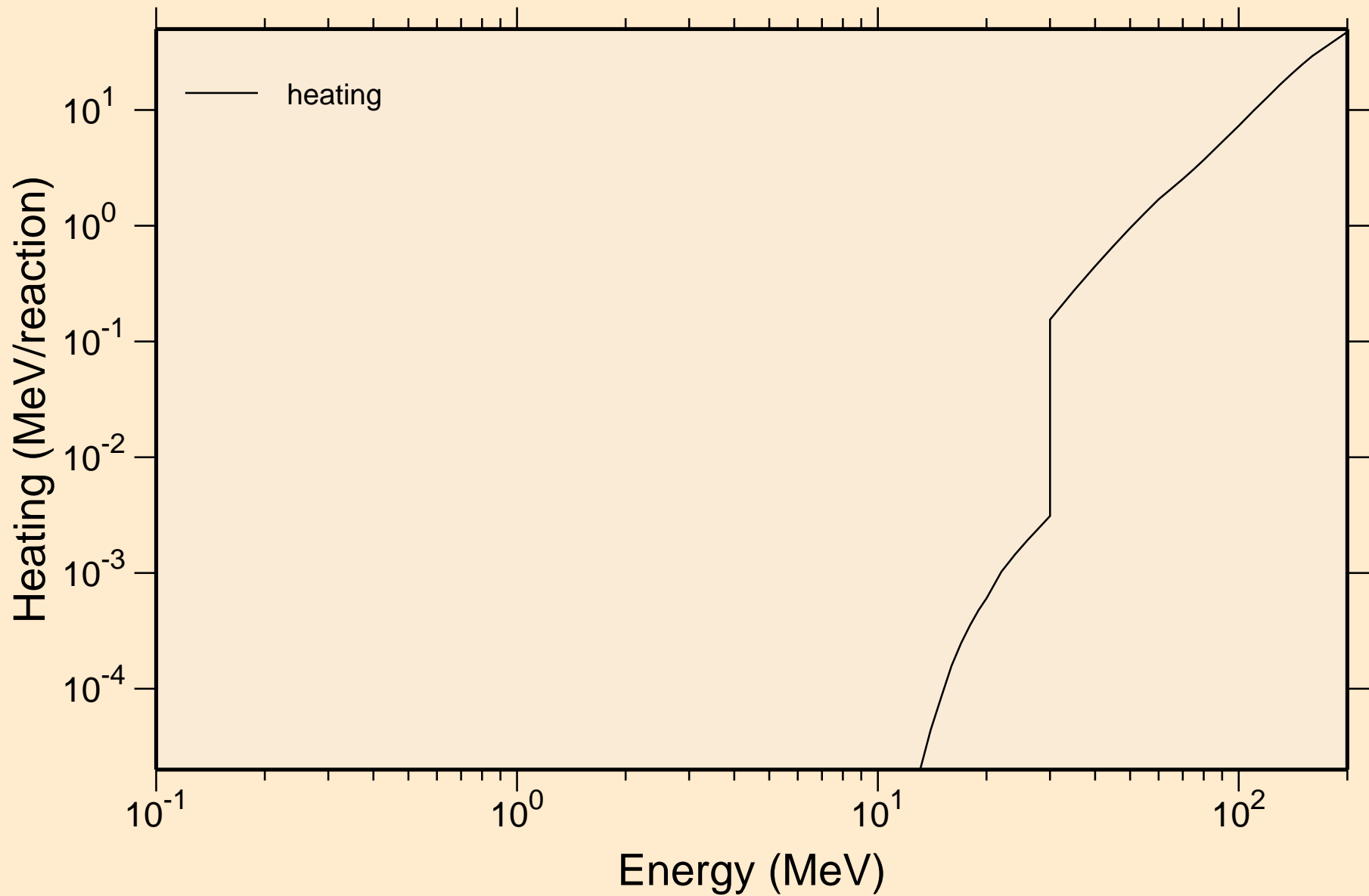


BH268 DEUTERON ACER TENDL-2021 LIBRARY; T=0.K

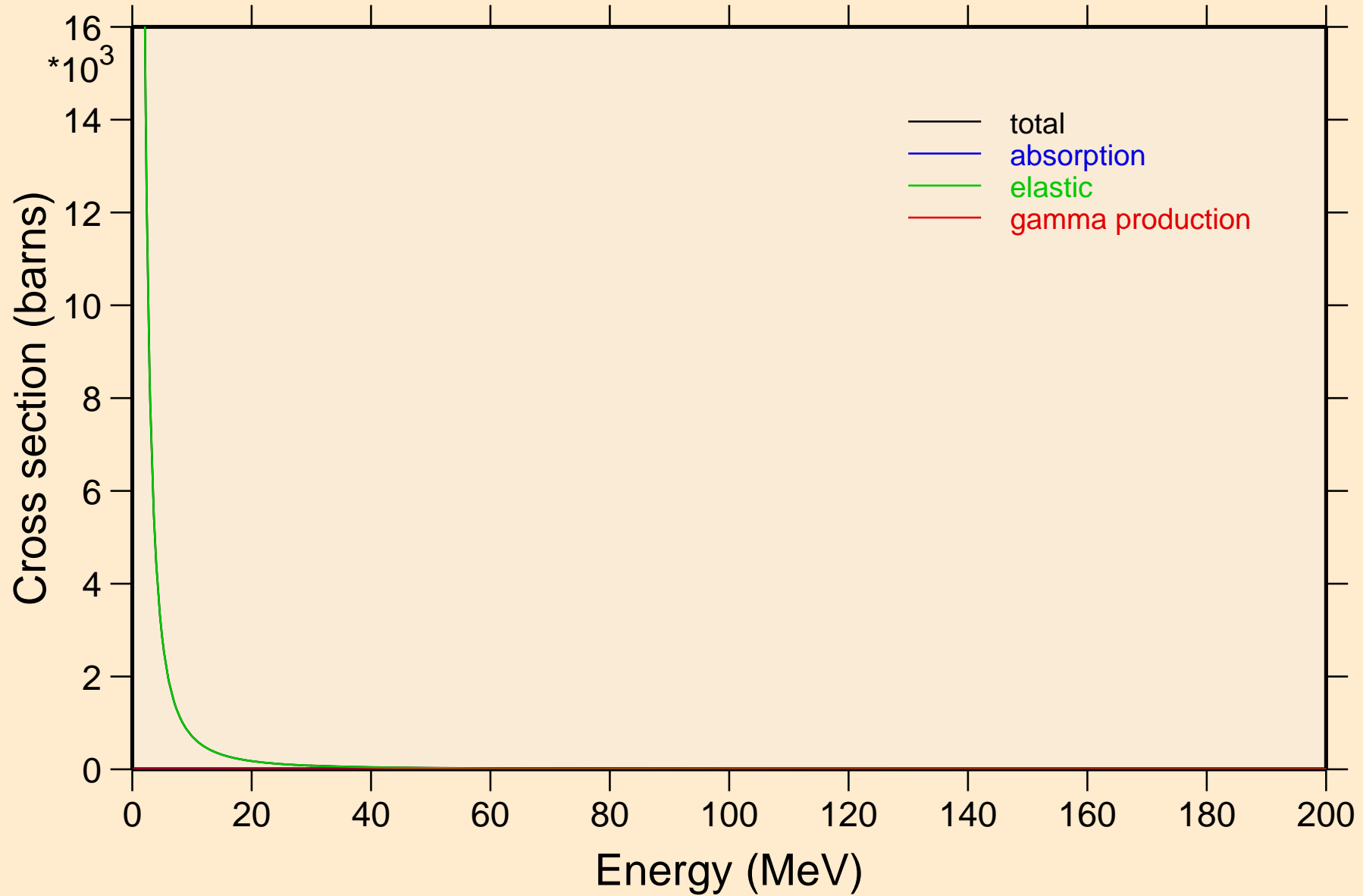
Principal cross sections



BH268 DEUTERON ACER TENDL-2021 LIBRARY; T=0.K
Heating

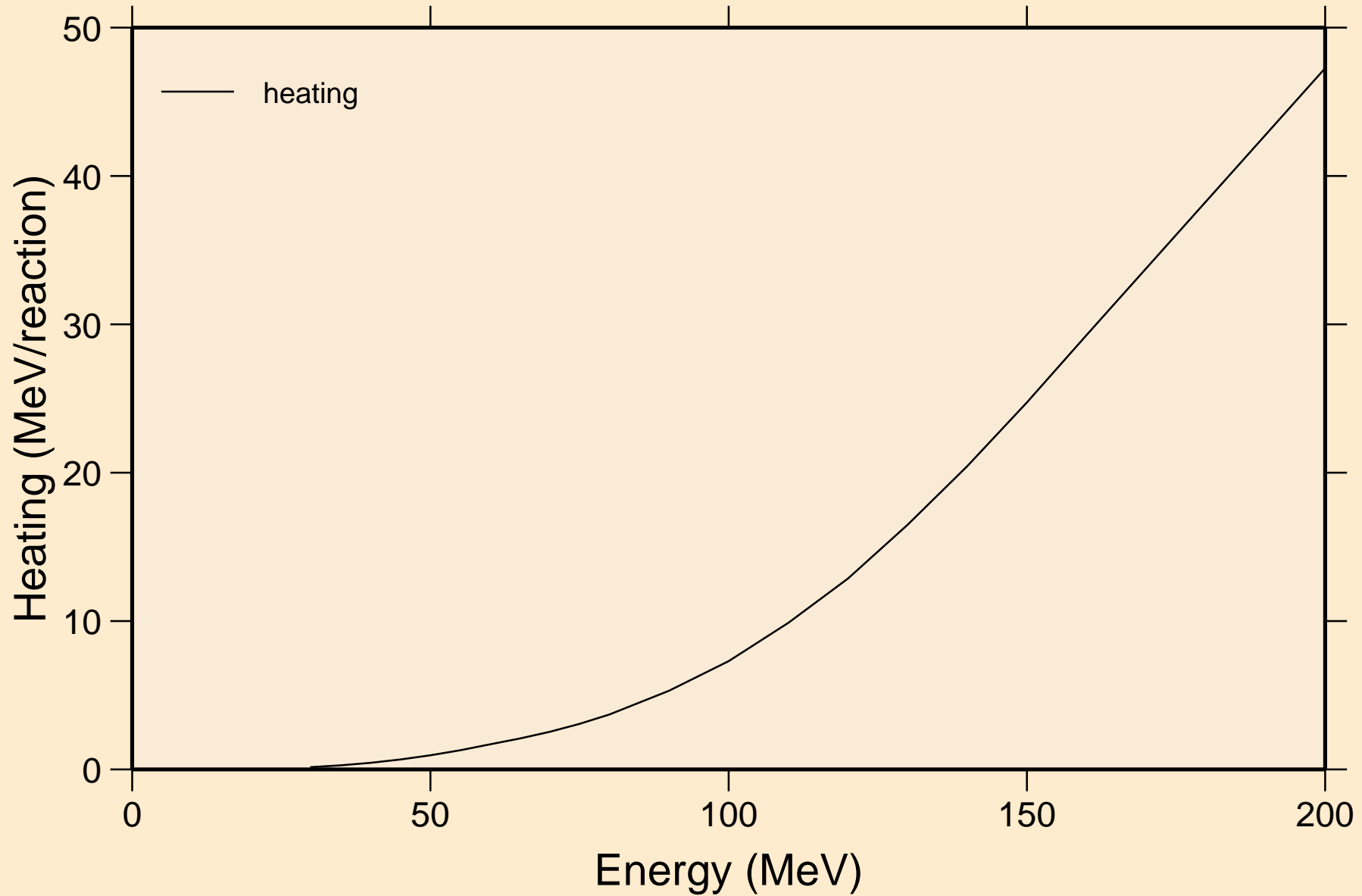


BH268 DEUTERON ACER TENDL-2021 LIBRARY; T=0.K
Principal cross sections



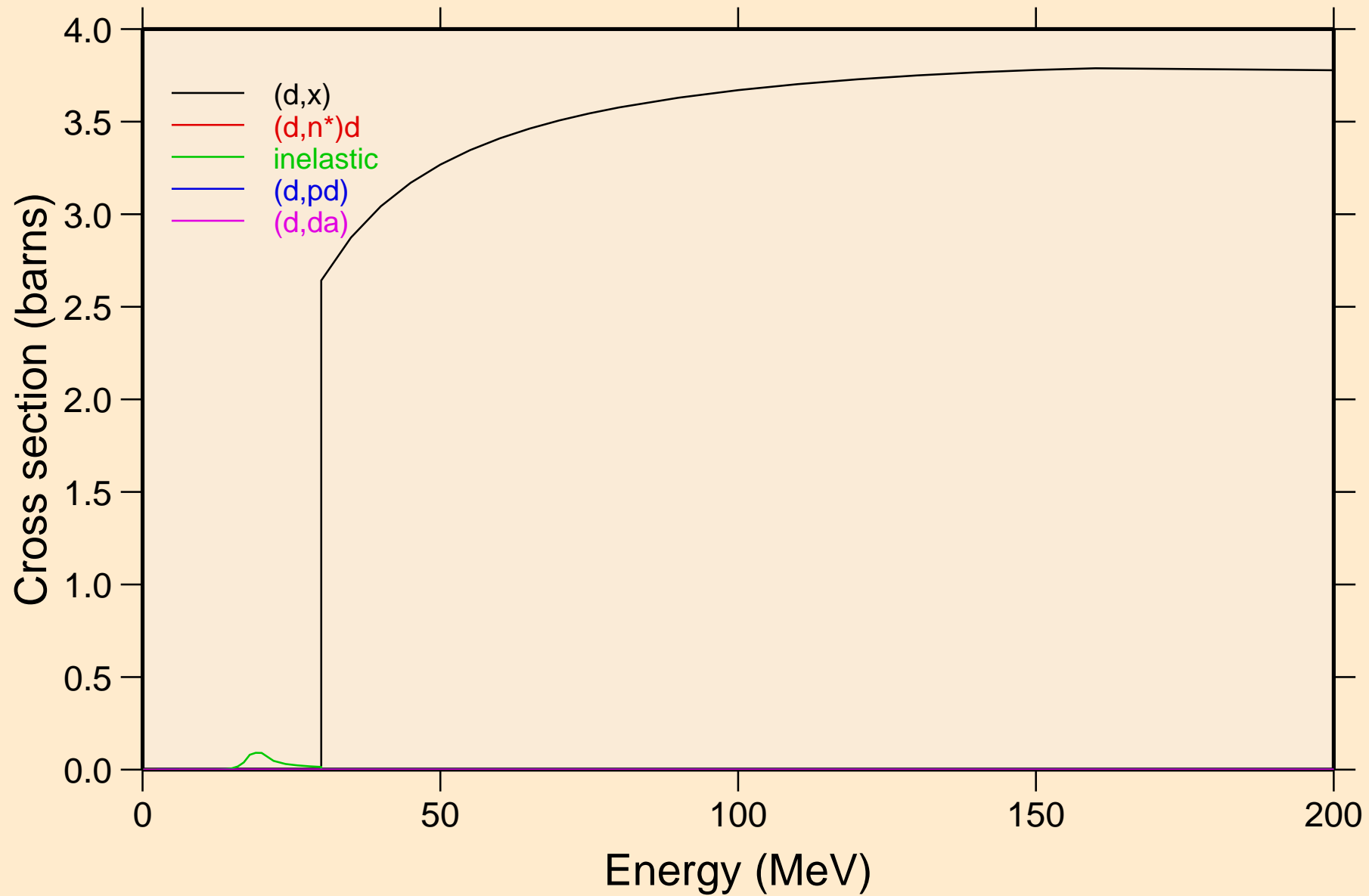
BH268 DEUTERON ACER TENDL-2021 LIBRARY; T=0.K

Heating

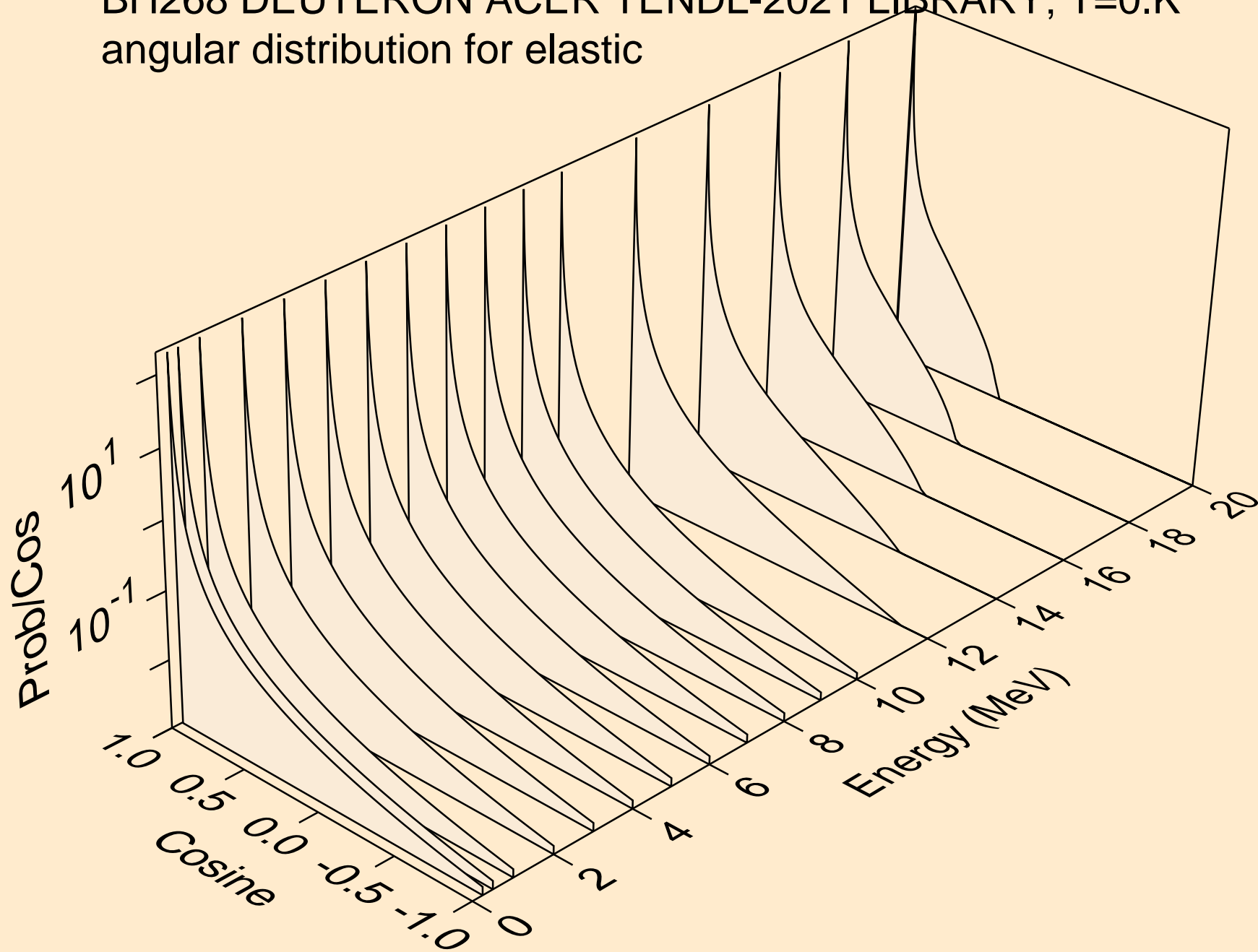


BH268 DEUTERON ACER TENDL-2021 LIBRARY; T=0.K

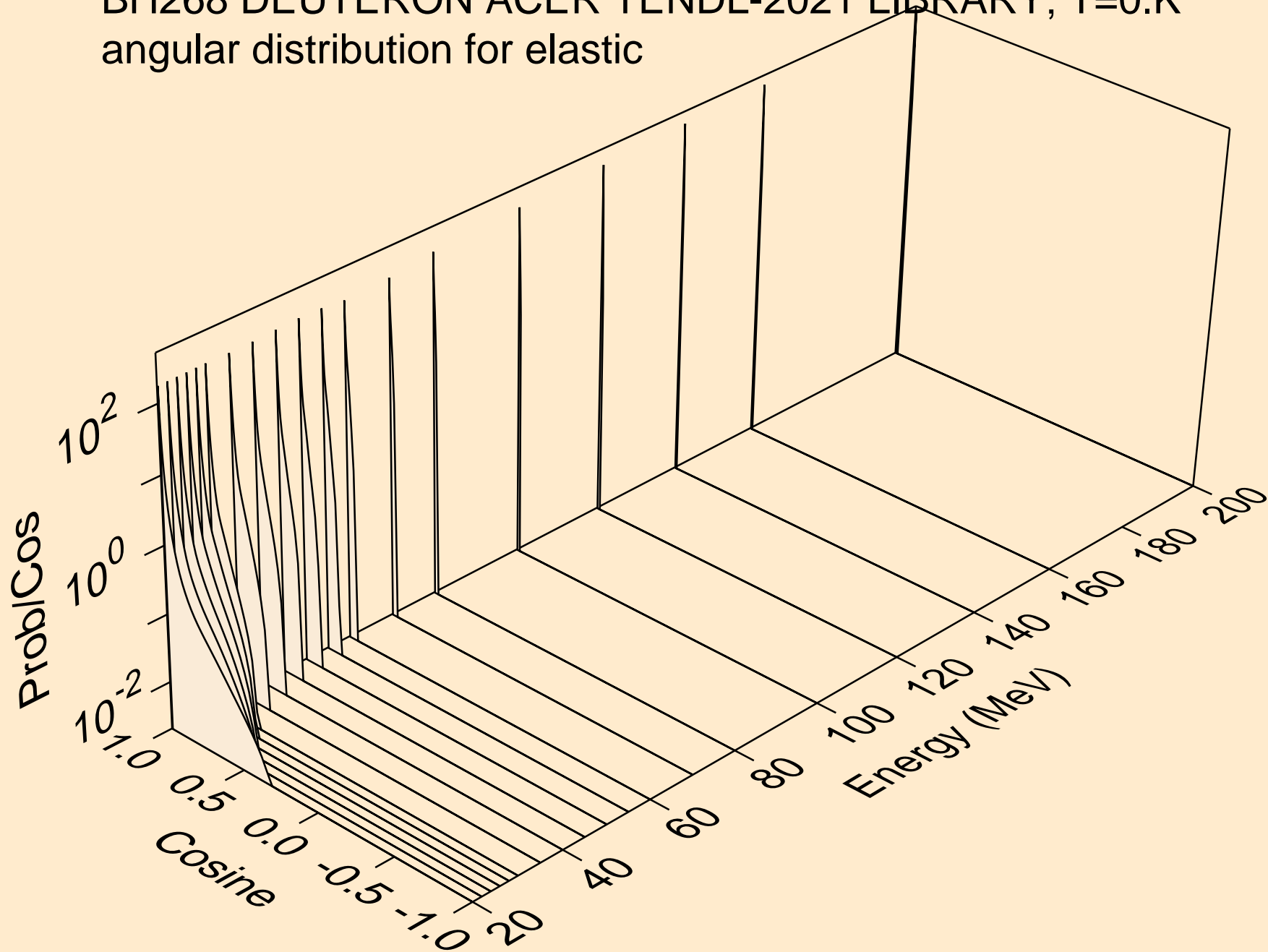
Threshold reactions



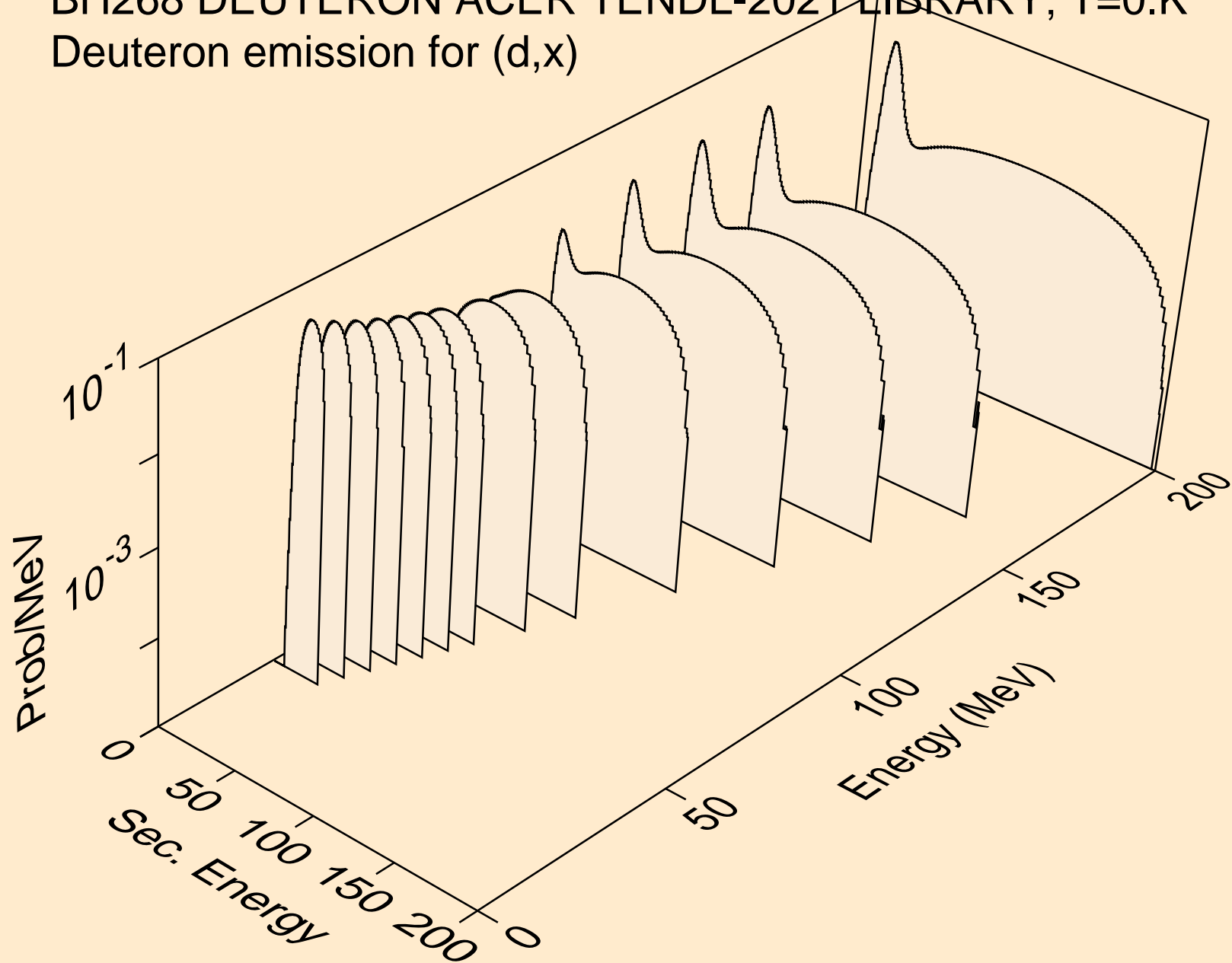
BH268 DEUTERON ACER TENDL-2021 LIBRARY; T=0.K
angular distribution for elastic



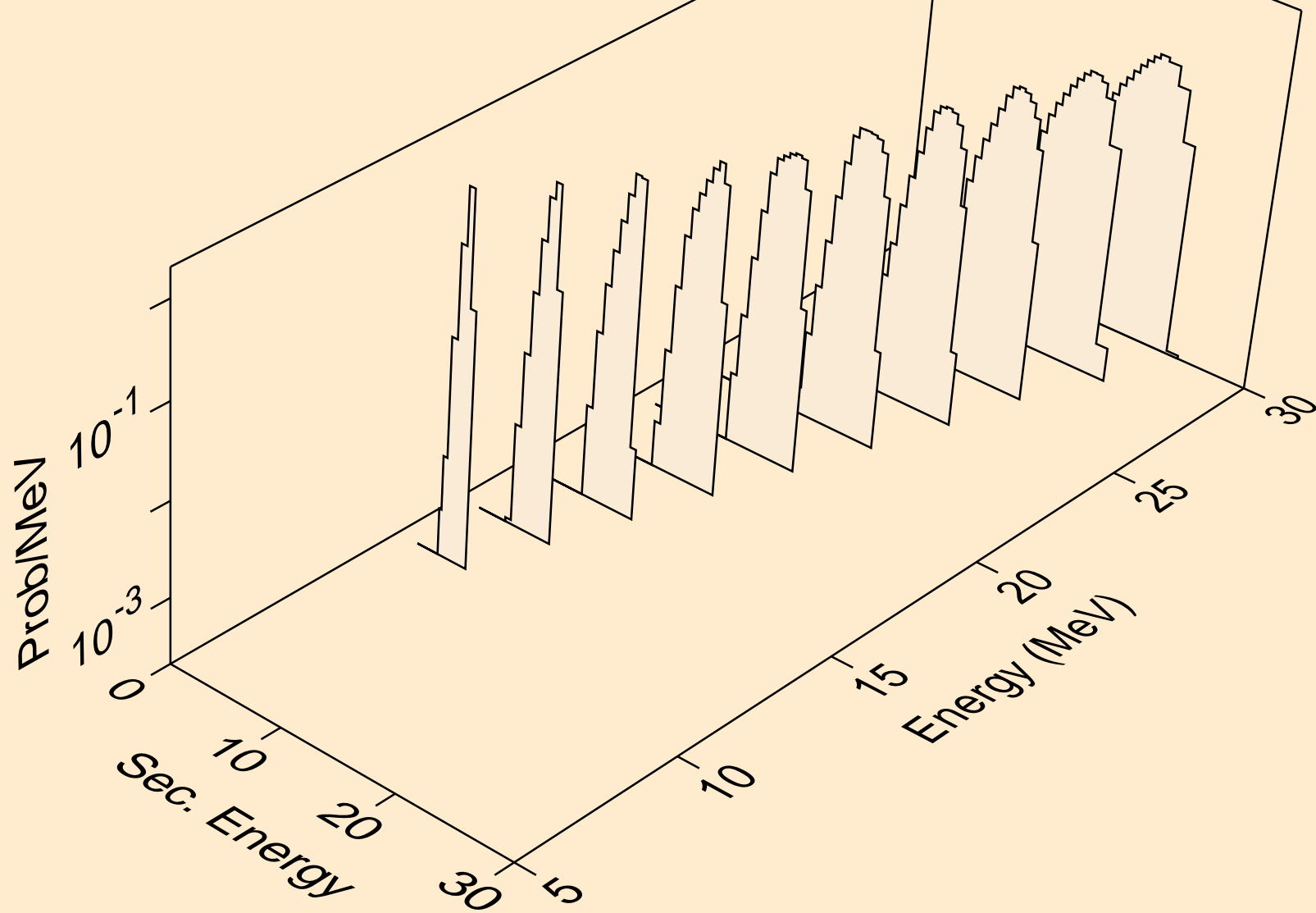
BH268 DEUTERON ACER TENDL-2021 LIBRARY; T=0.K
angular distribution for elastic



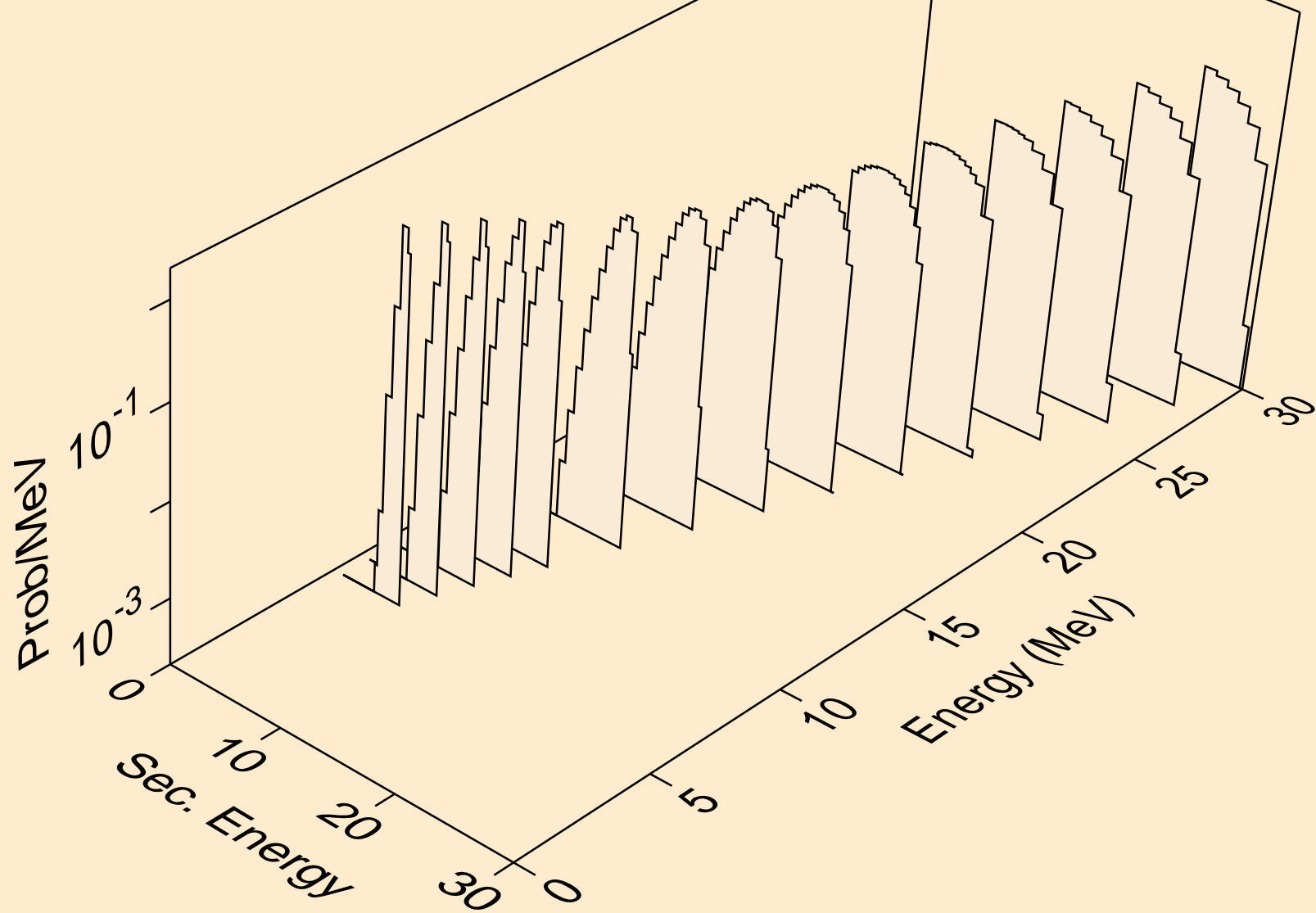
BH268 DEUTERON ACER TENDL-2021 LIBRARY; T=0.K
Deuteron emission for (d,x)



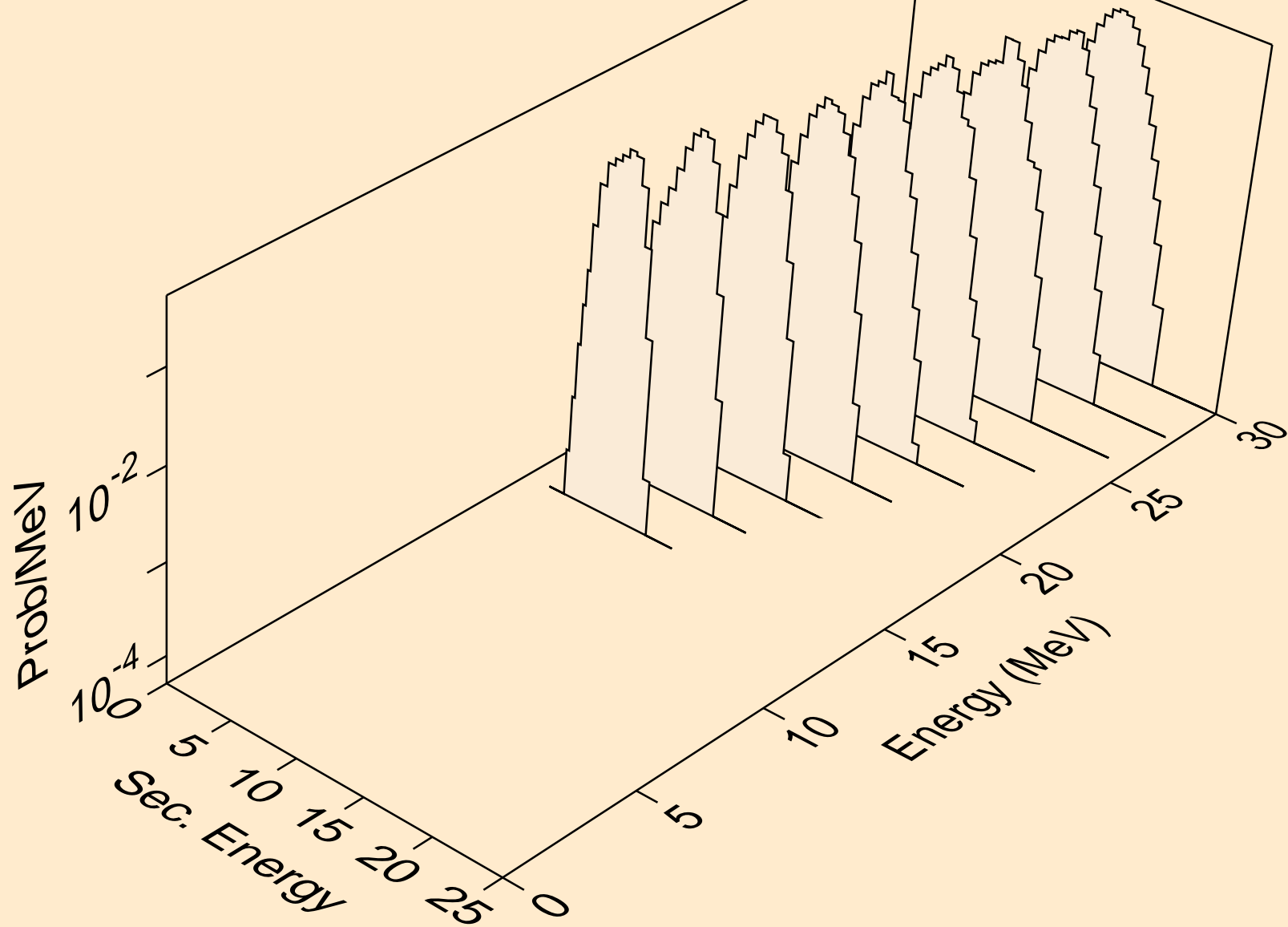
BH268 DEUTERON ACER TENDL-2021 LIBRARY; T=0.K
Deuteron emission for (d,n*)d



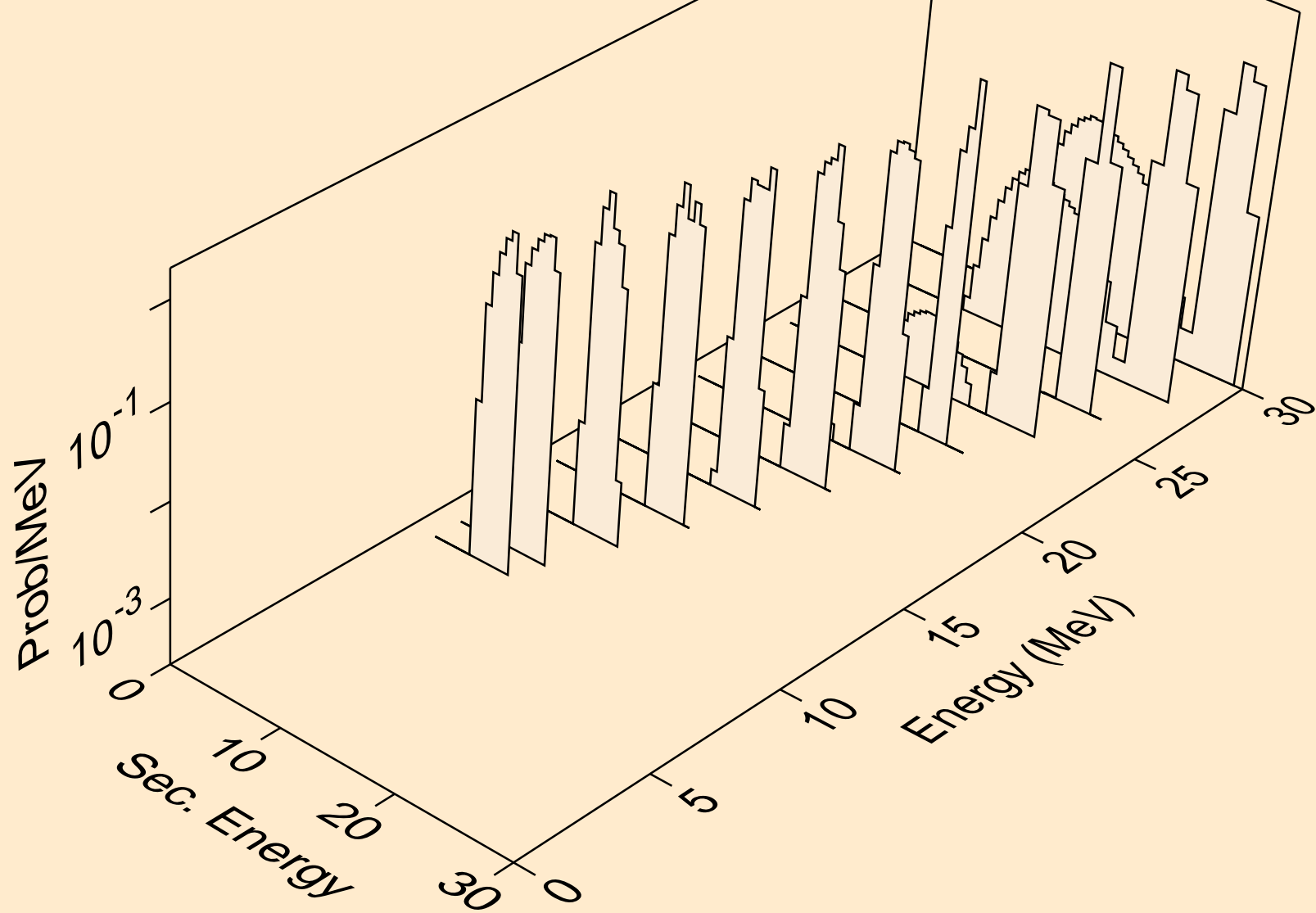
BH268 DEUTERON ACER TENDL-2021 LIBRARY; T=0.K
Deuteron emission for inelastic



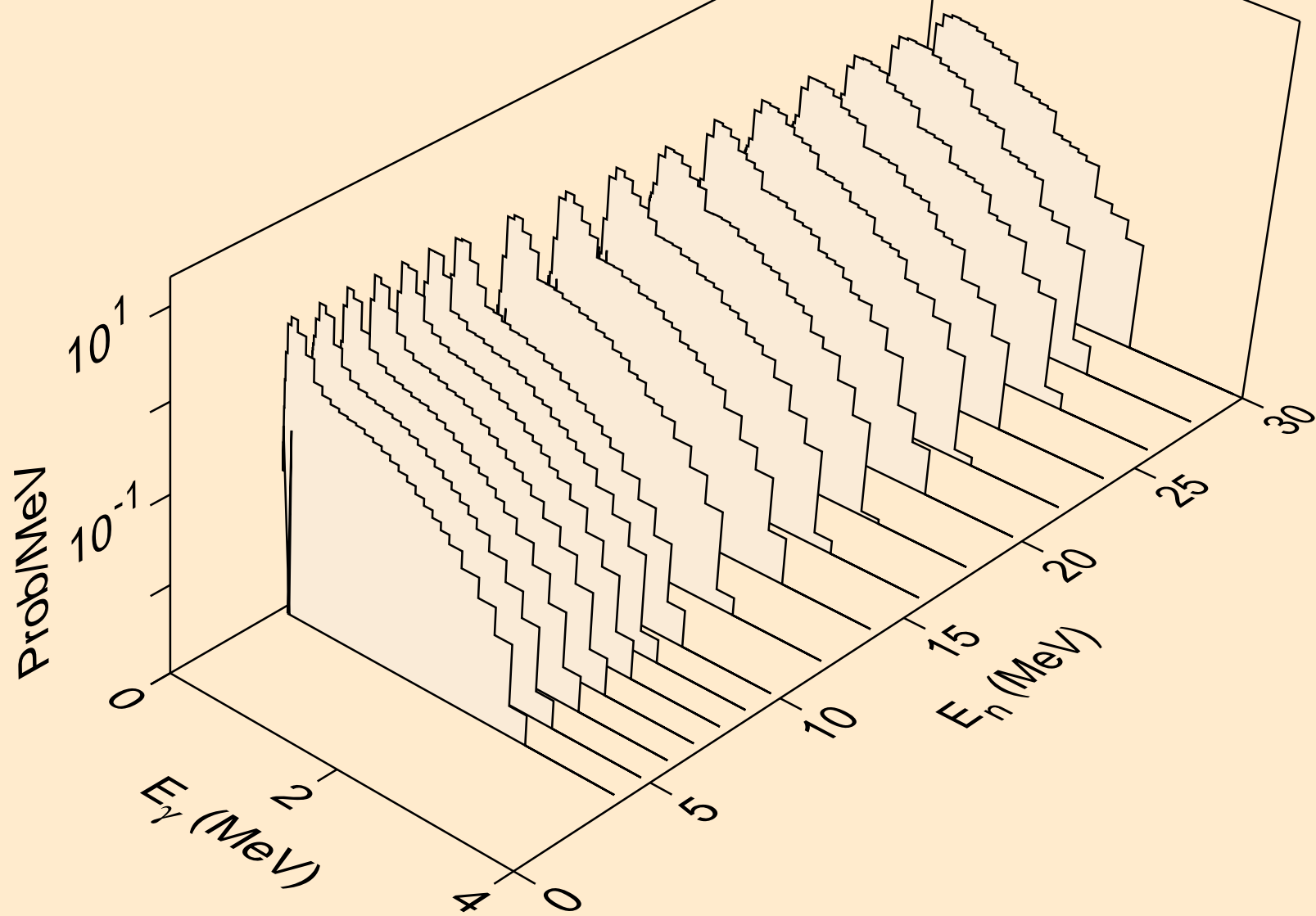
BH268 DEUTERON ACER TENDL-2021 LIBRARY; T=0.K
Deuteron emission for (d,pd)



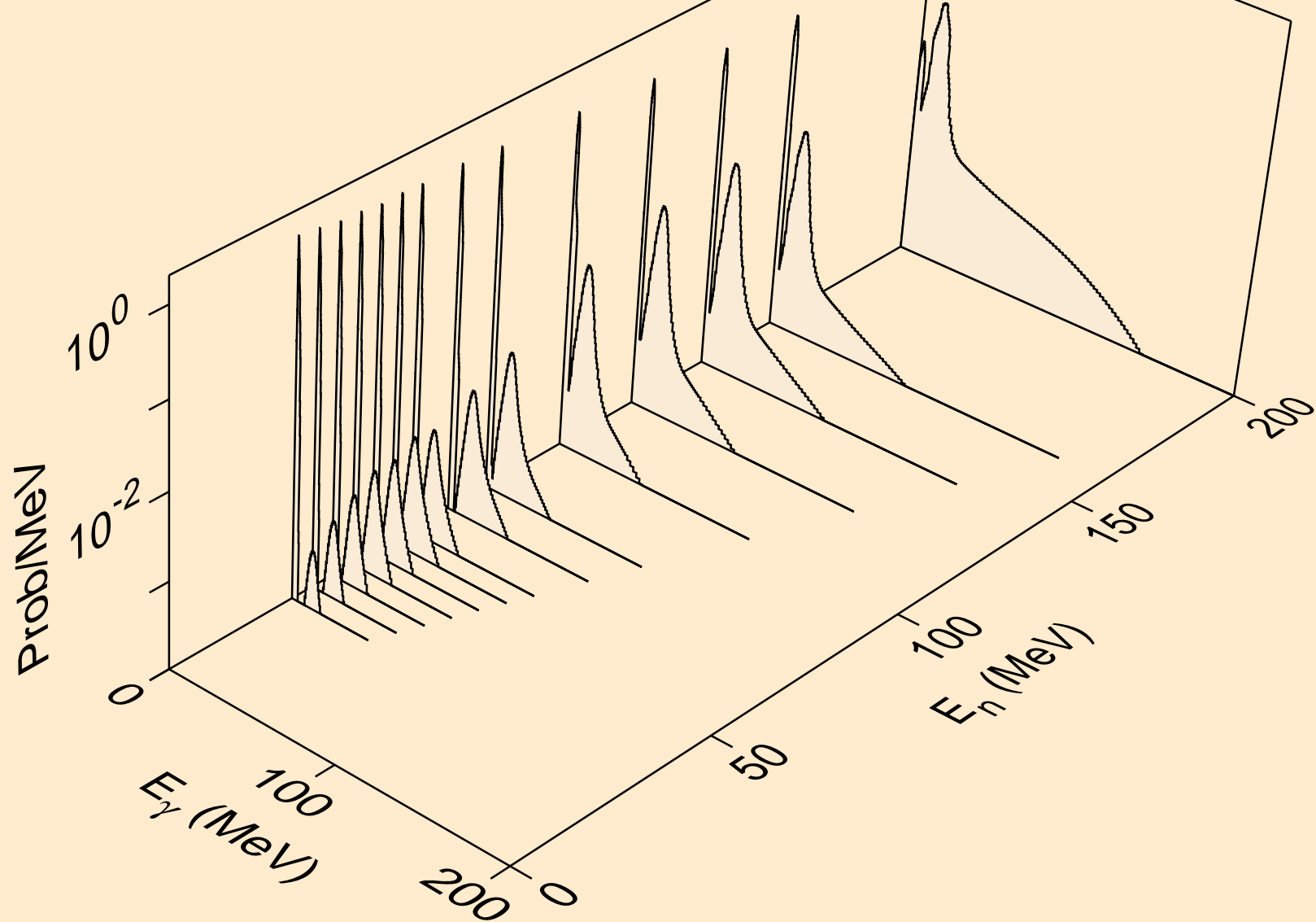
BH268 DEUTERON ACER TENDL-2021 LIBRARY; T=0.K
Deuteron emission for (d,da)



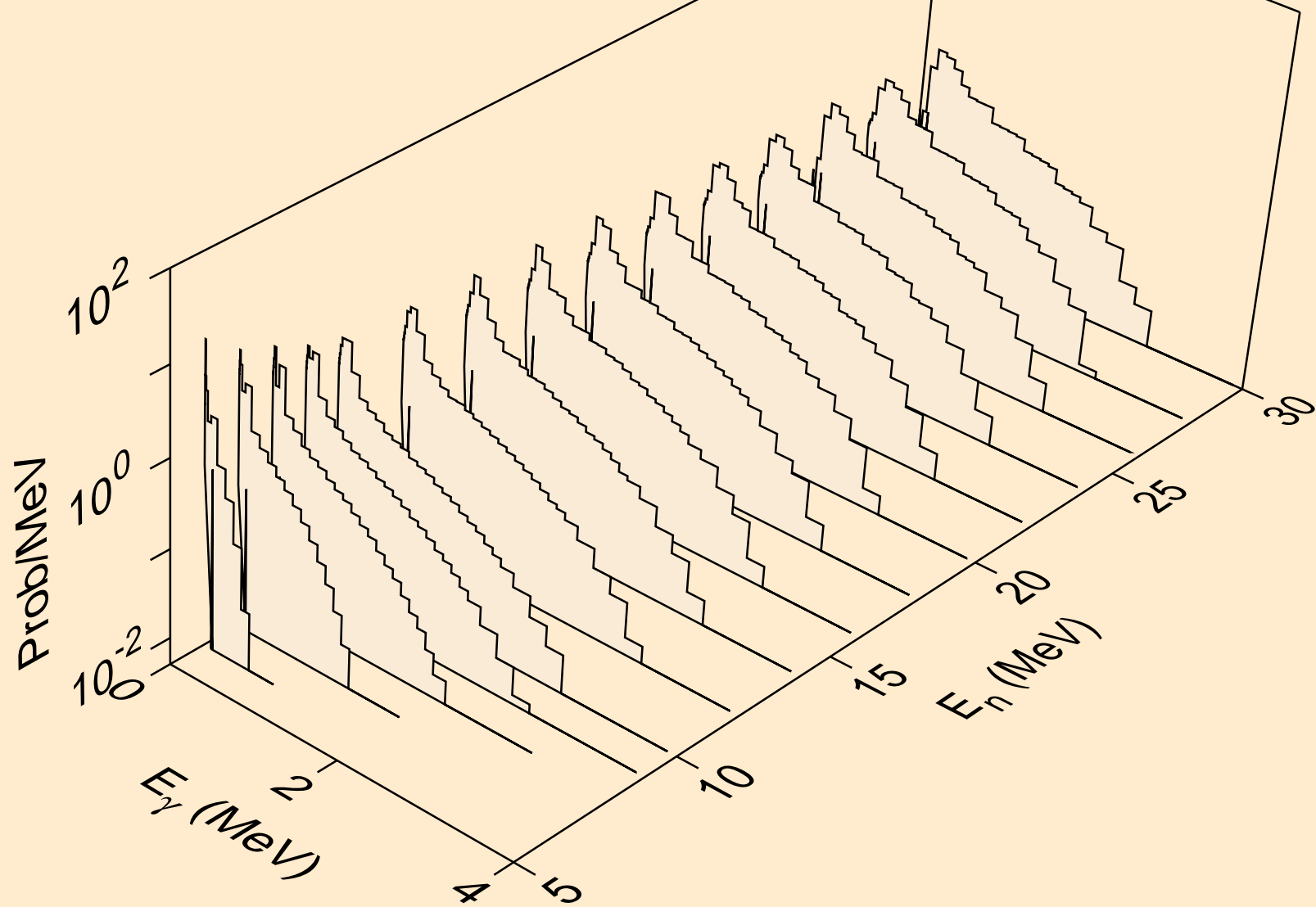
BH268 DEUTERON ACER TENDL-2021 LIBRARY; T=0.K
Photon emission for (z,n)



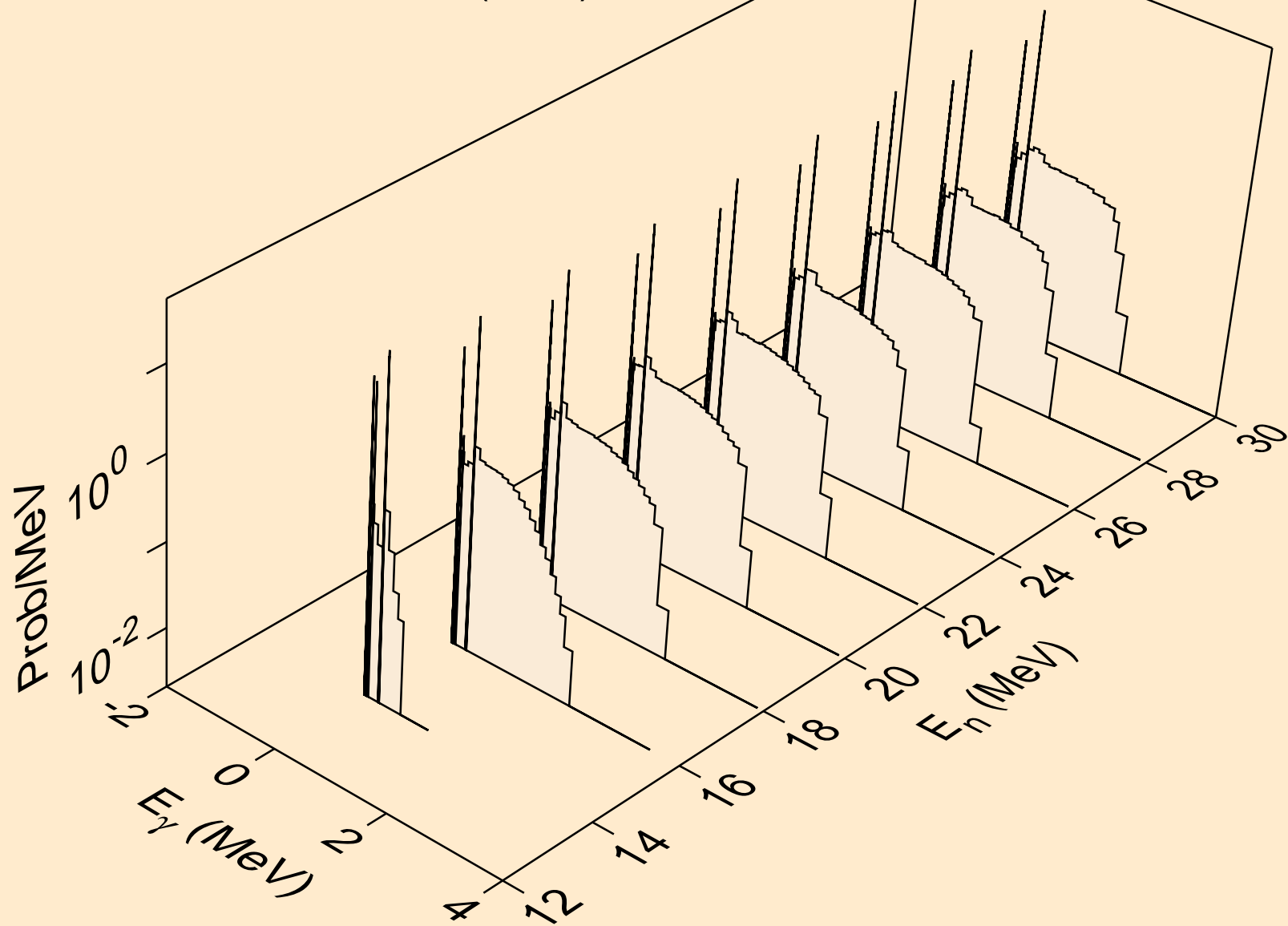
BH268 DEUTERON ACER TENDL-2021 LIBRARY; T=0.K
Photon emission for (n,x)



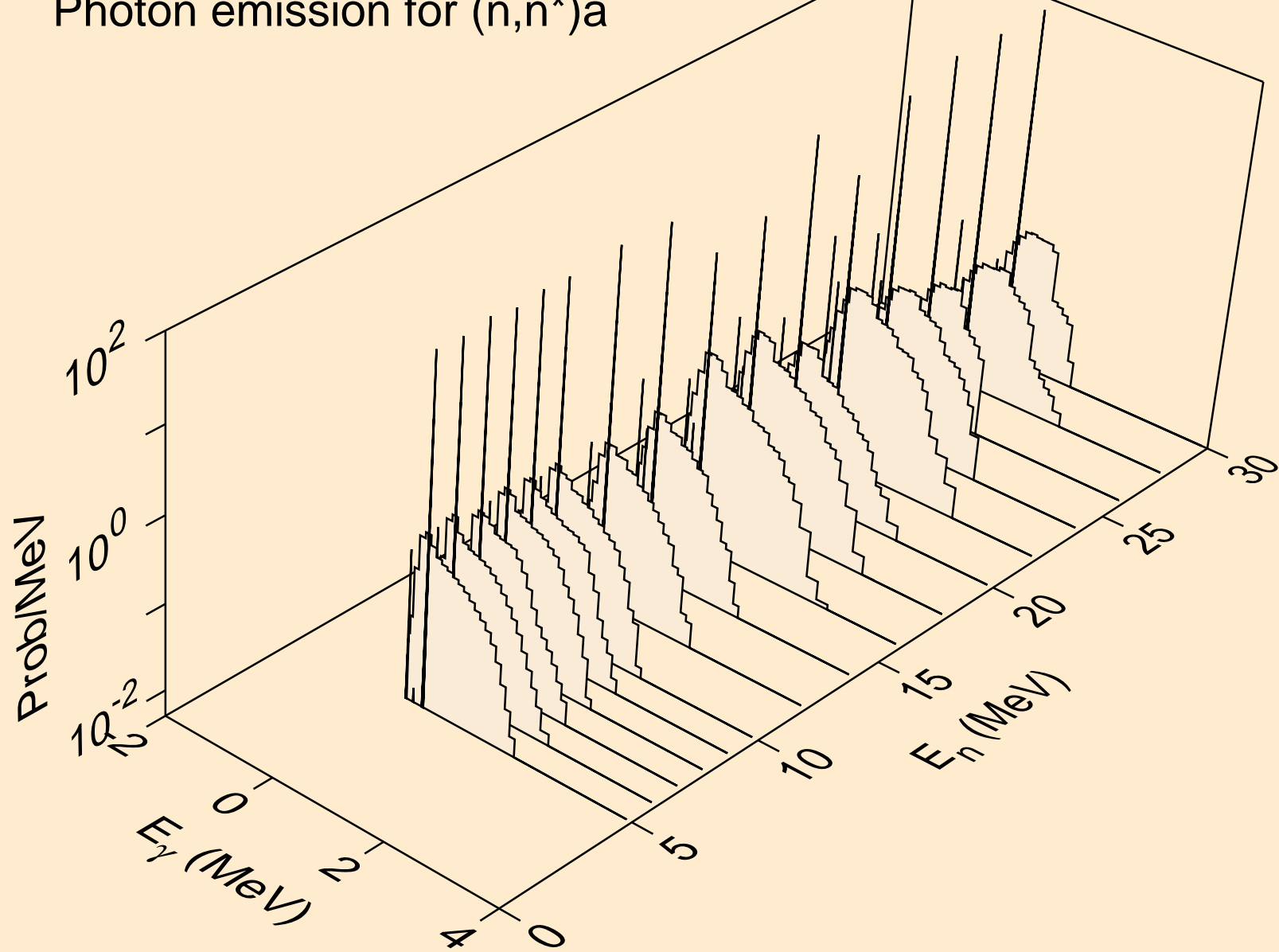
BH268 DEUTERON ACER TENDL-2021 LIBRARY; T=0.K
Photon emission for (n,2n)



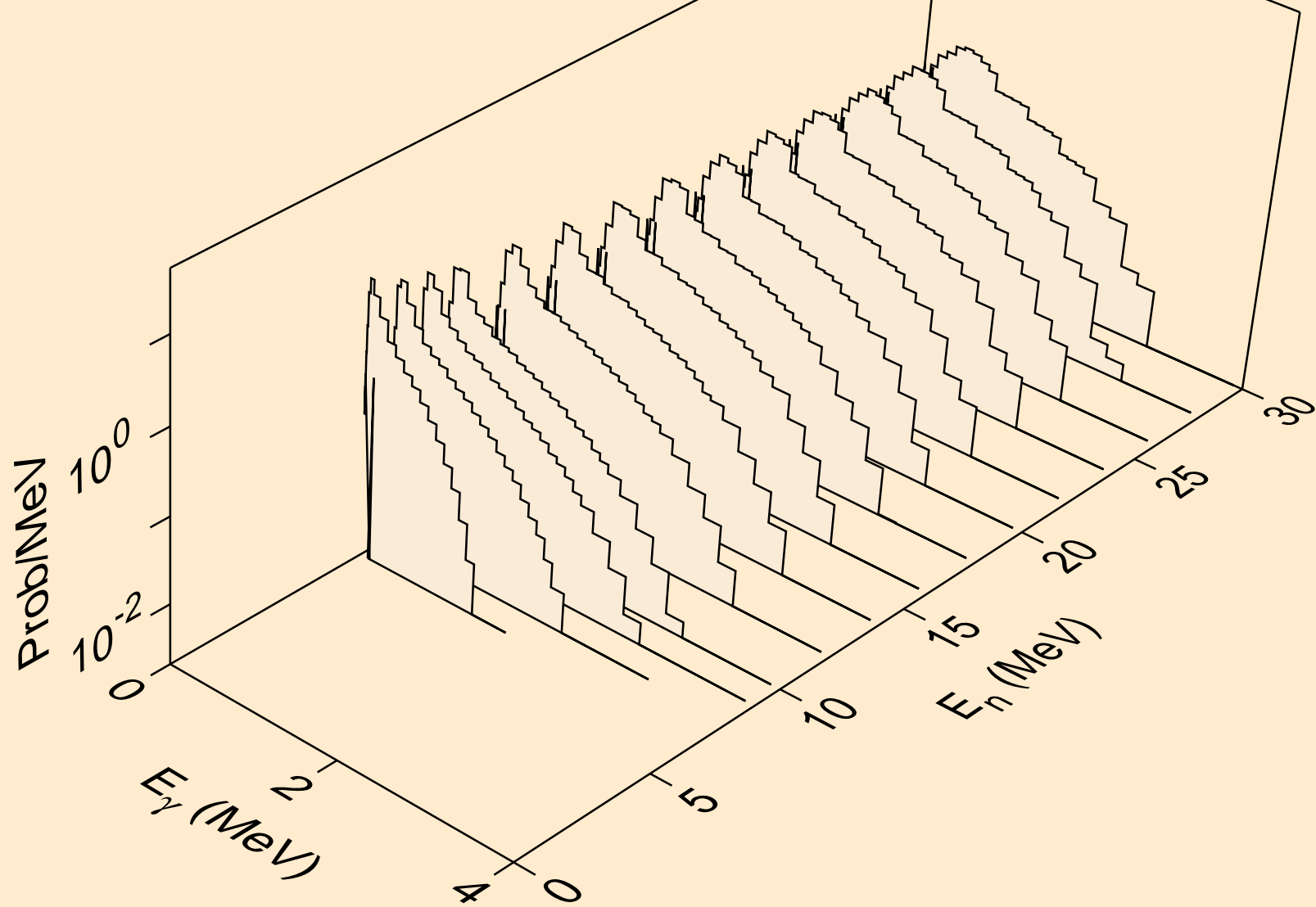
BH268 DEUTERON ACER TENDL-2021 LIBRARY; T=0.K
Photon emission for (n,3n)



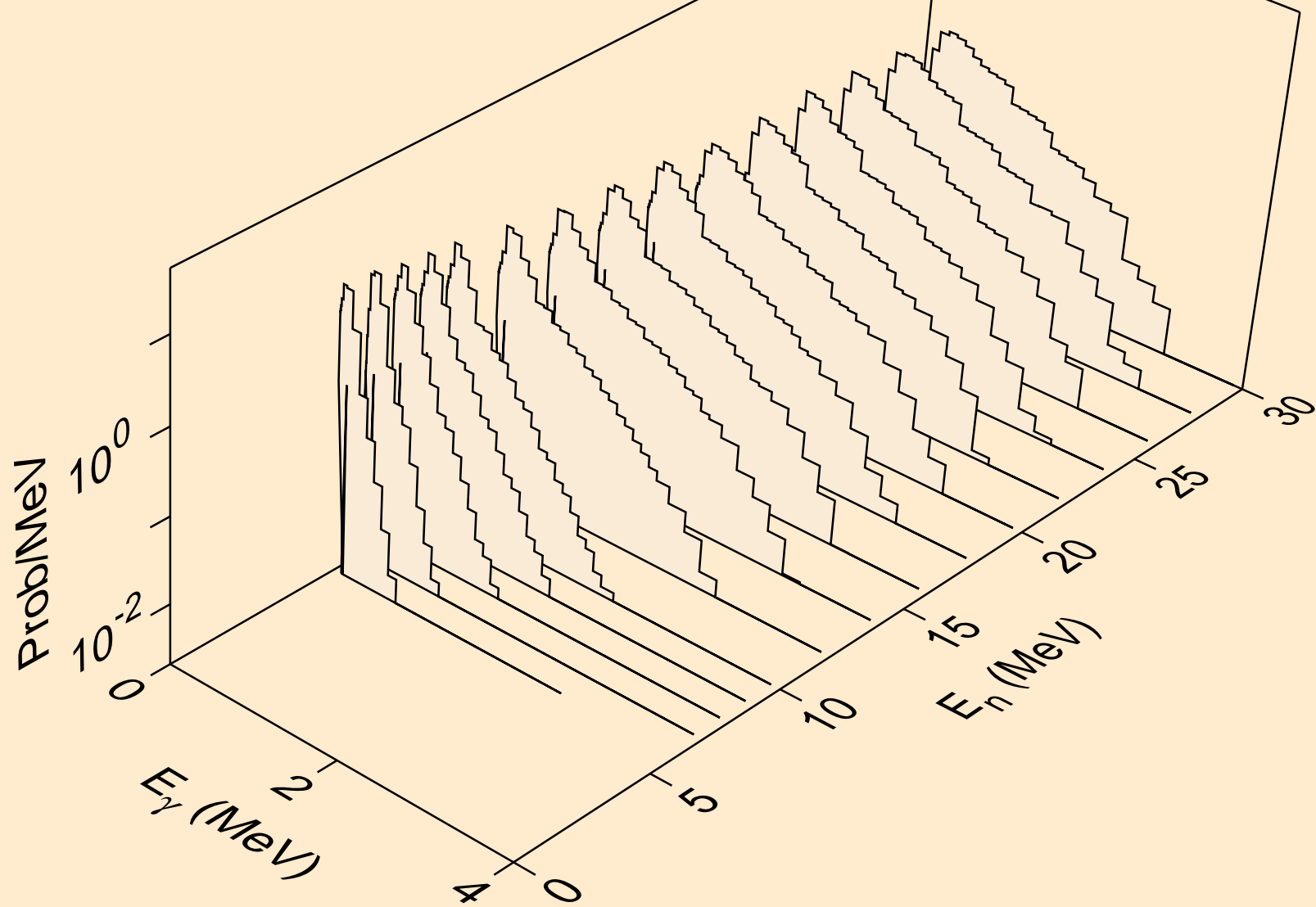
BH268 DEUTERON ACER TENDL-2021 LIBRARY; T=0.K
Photon emission for (n,n*)a



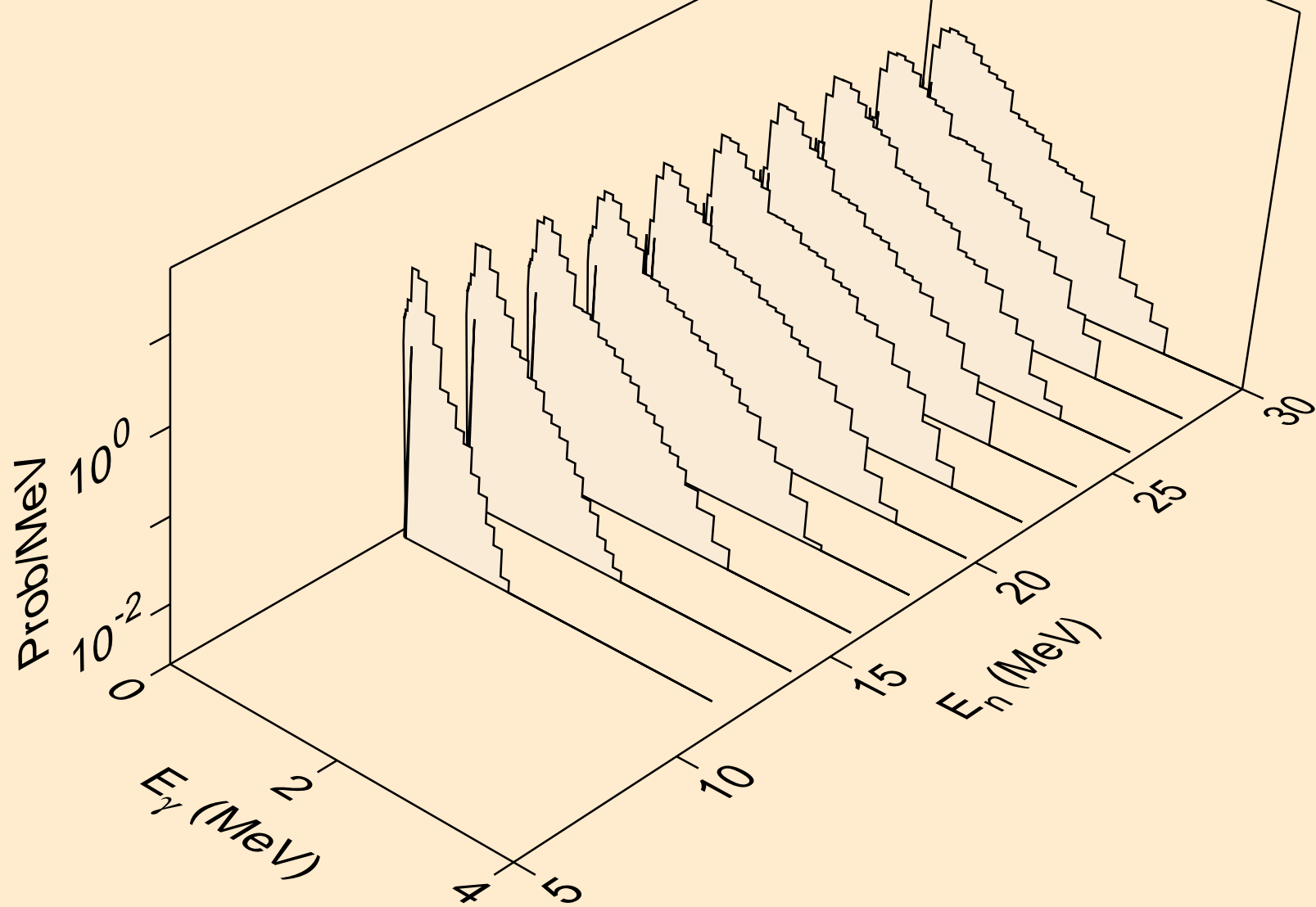
BH268 DEUTERON ACER TENDL-2021 LIBRARY; T=0.K
Photon emission for (n,2n) α



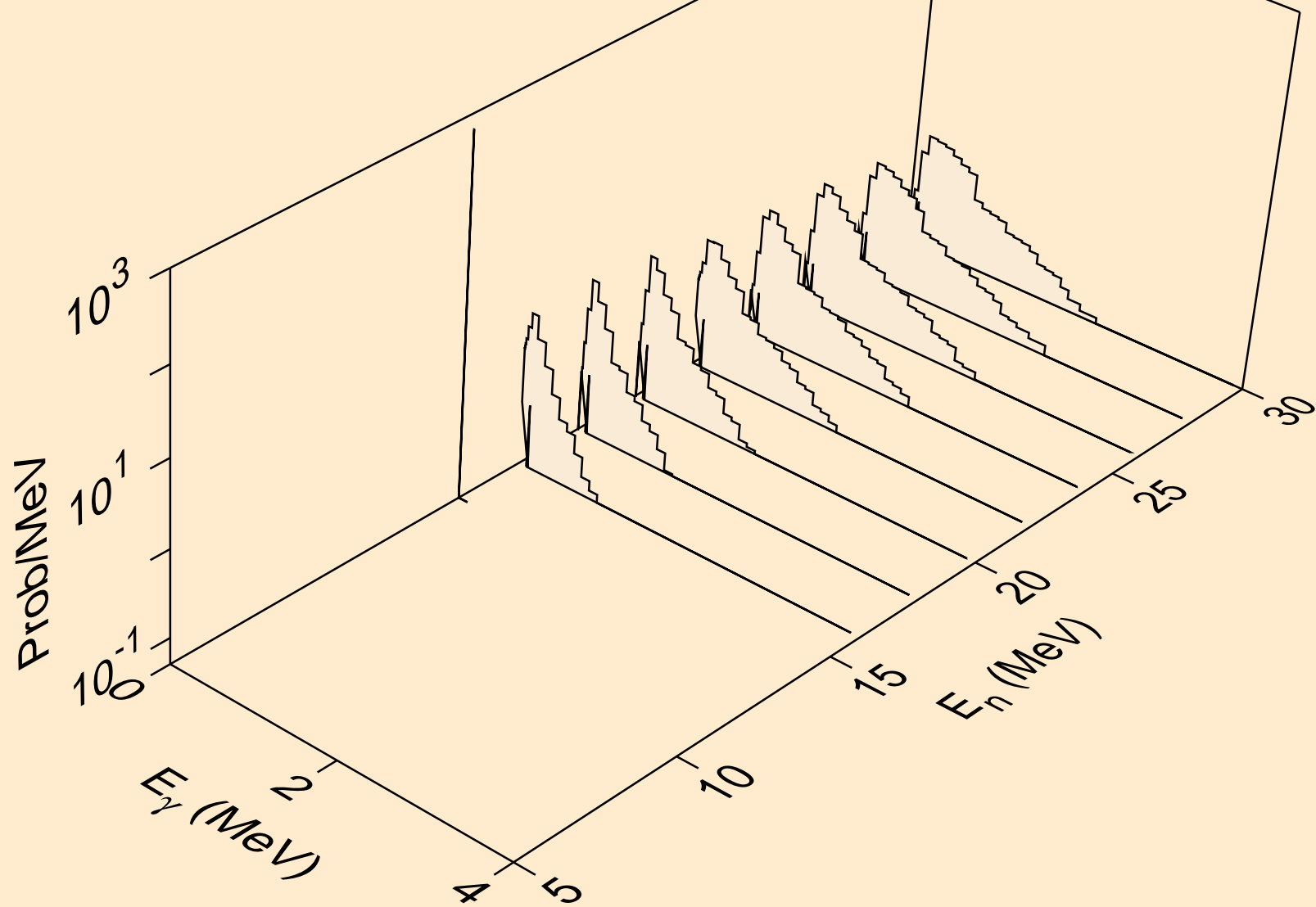
BH268 DEUTERON ACER TENDL-2021 LIBRARY; T=0.K
Photon emission for (n,n*)p



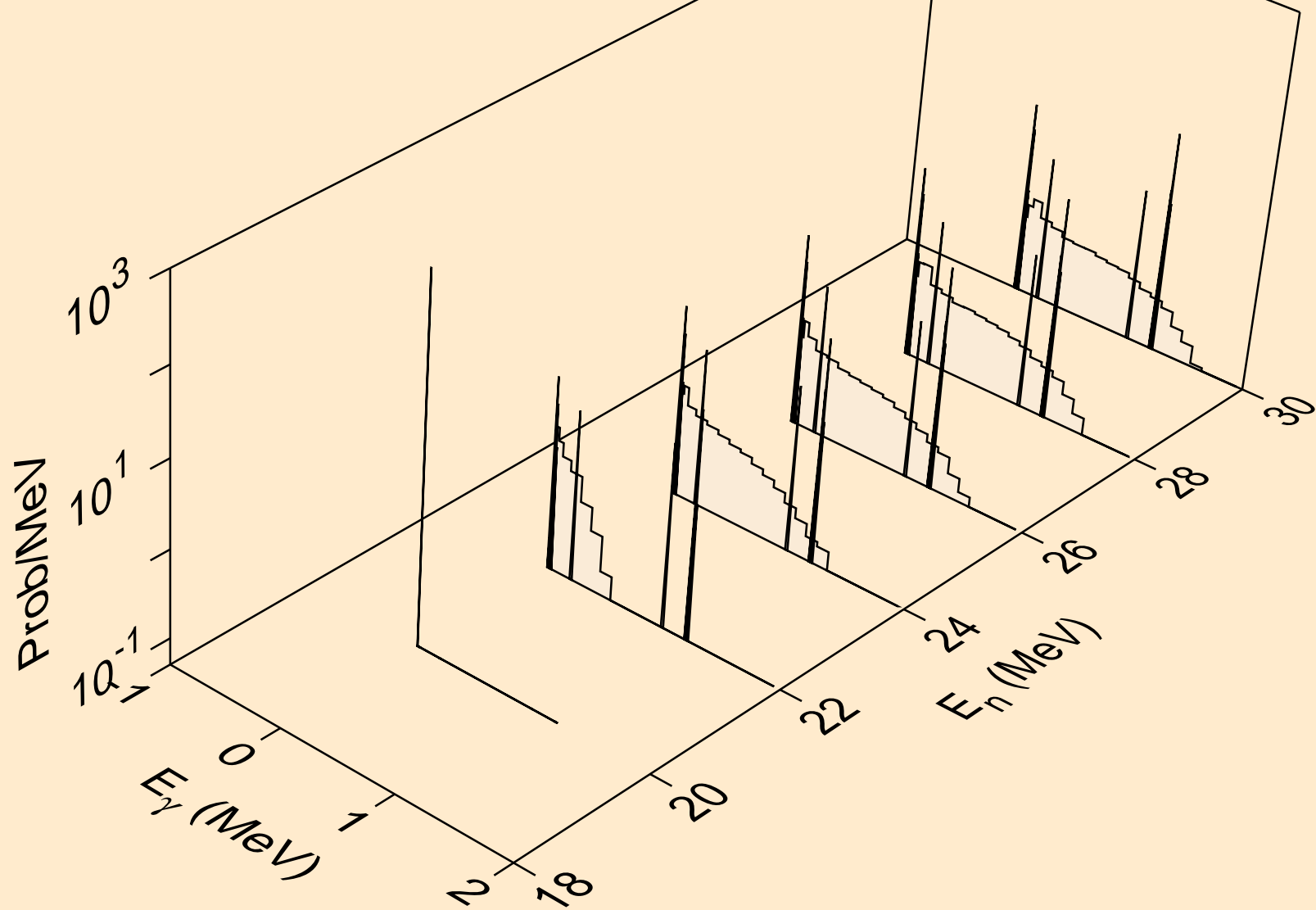
BH268 DEUTERON ACER TENDL-2021 LIBRARY; T=0.K
Photon emission for (n,n*)d



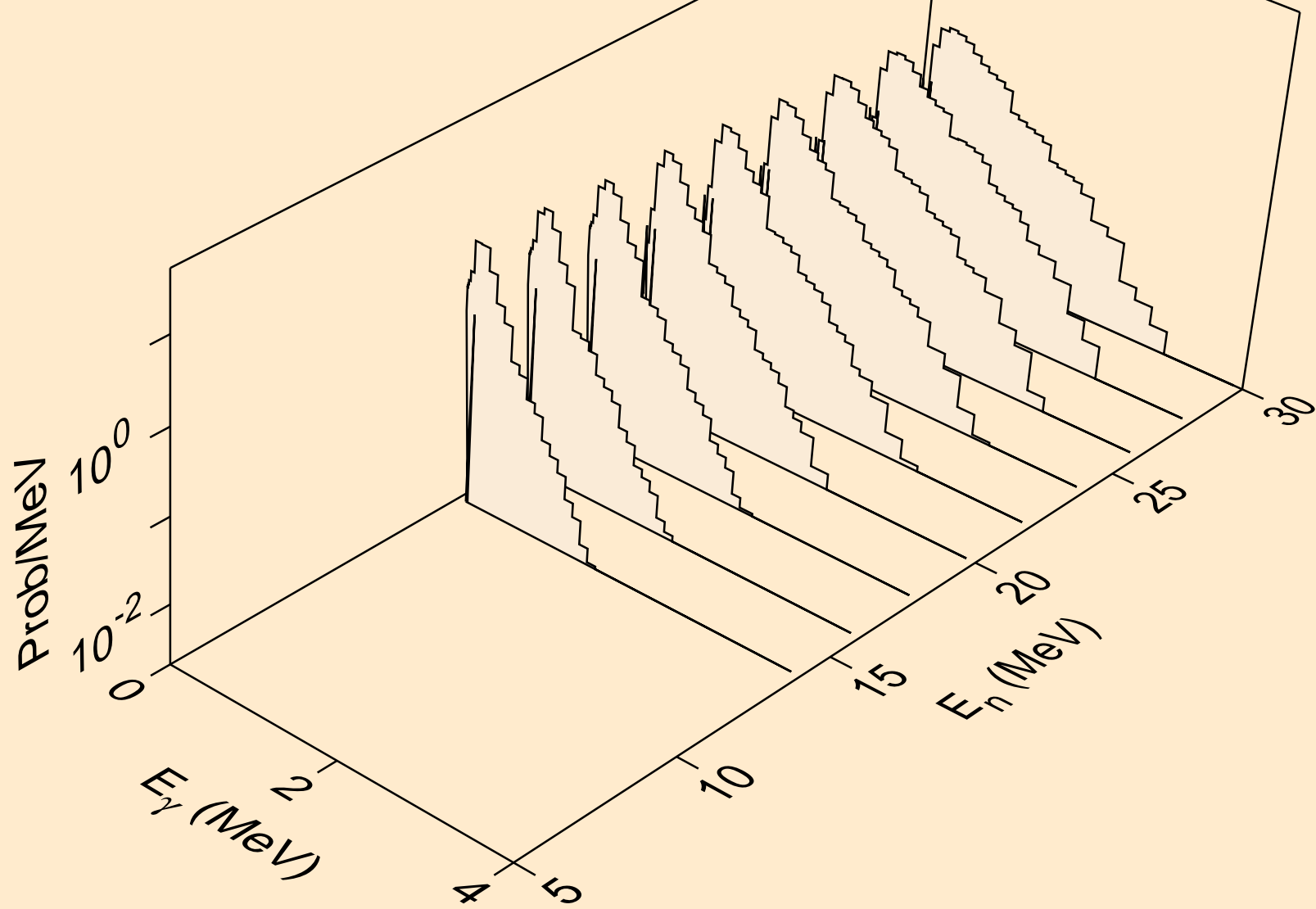
BH268 DEUTERON ACER TENDL-2021 LIBRARY; T=0.K
Photon emission for (n,n*)t



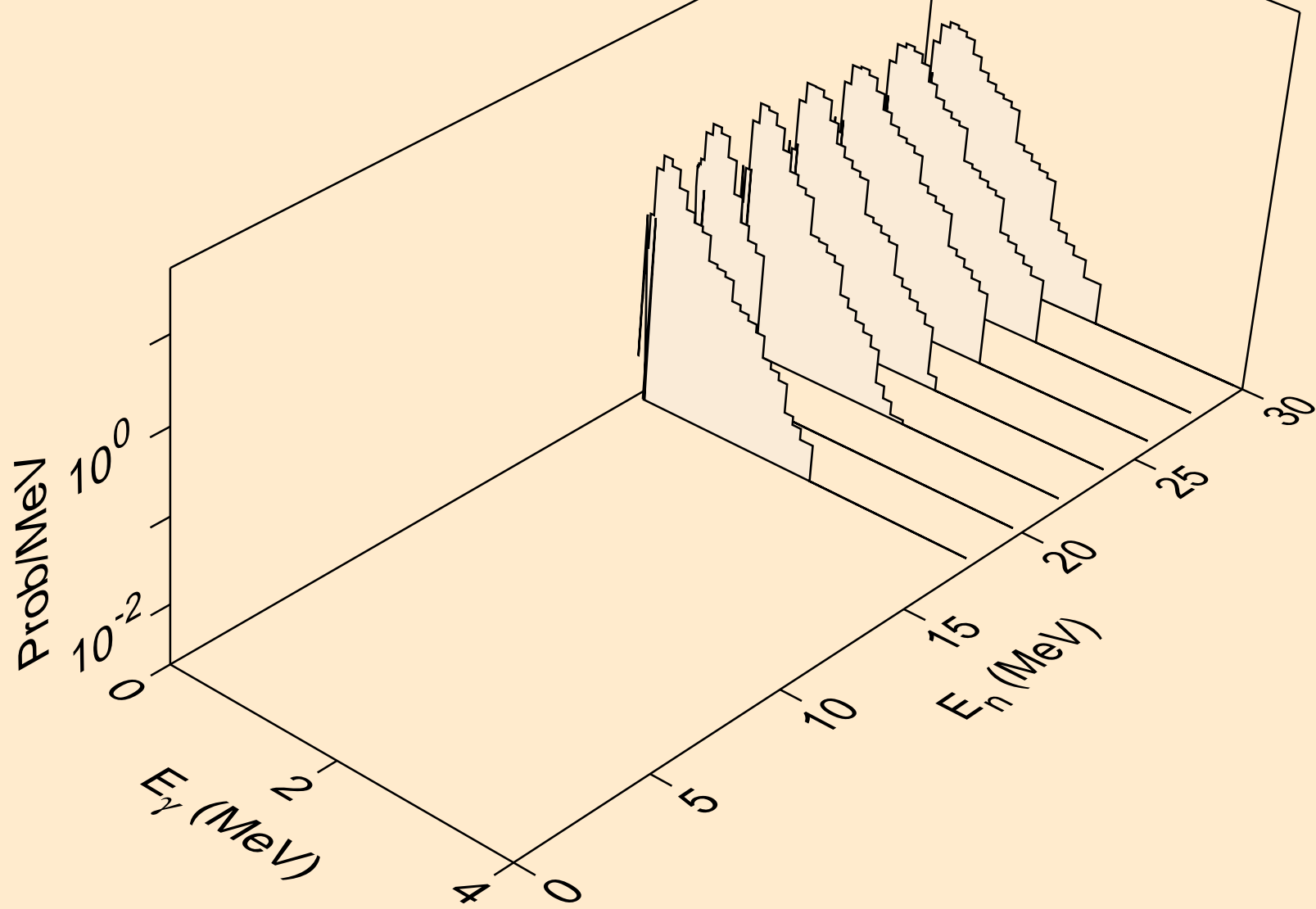
BH268 DEUTERON ACER TENDL-2021 LIBRARY; T=0.K
Photon emission for (n,4n)



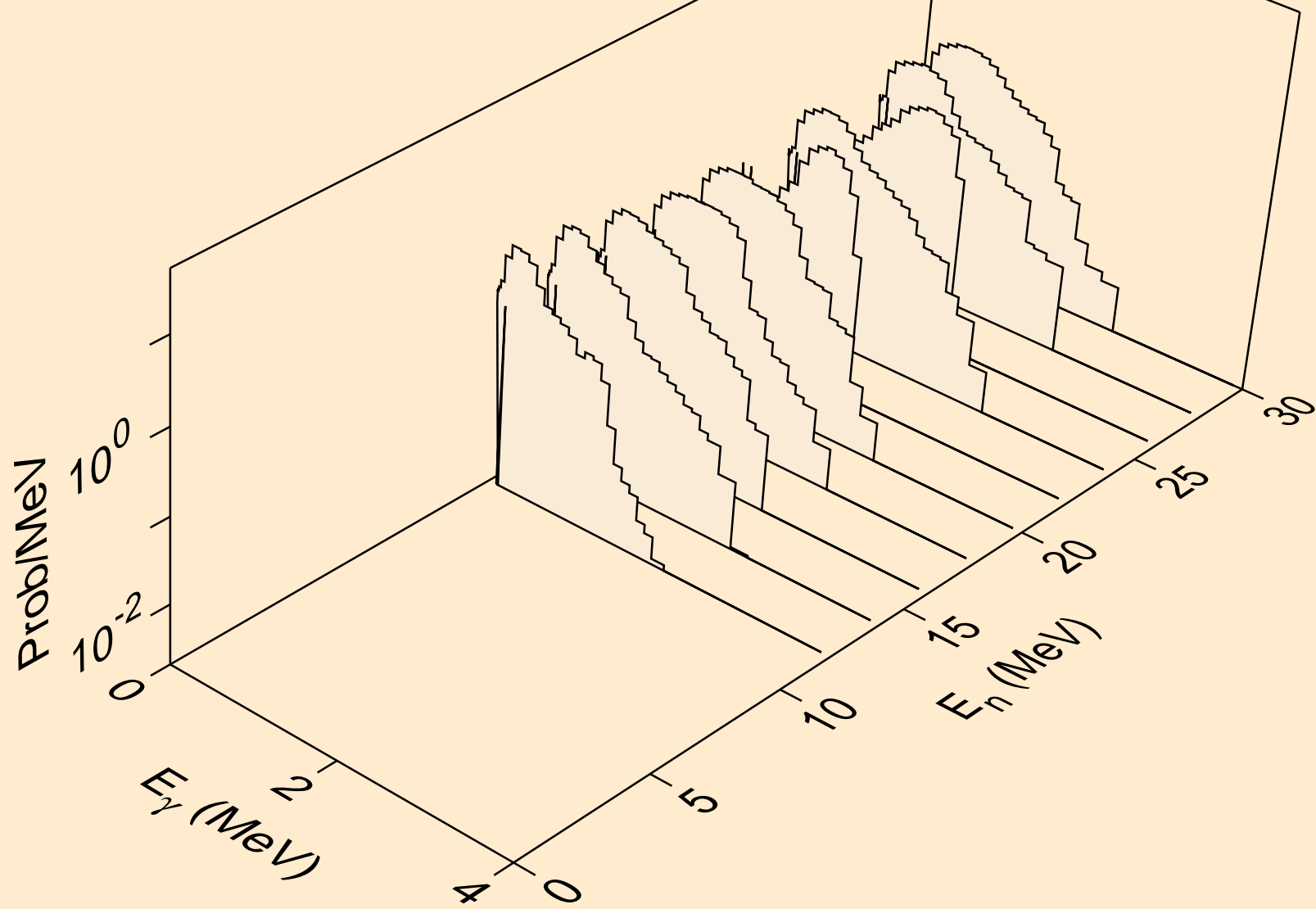
BH268 DEUTERON ACER TENDL-2021 LIBRARY; T=0.K
Photon emission for (n,2np)



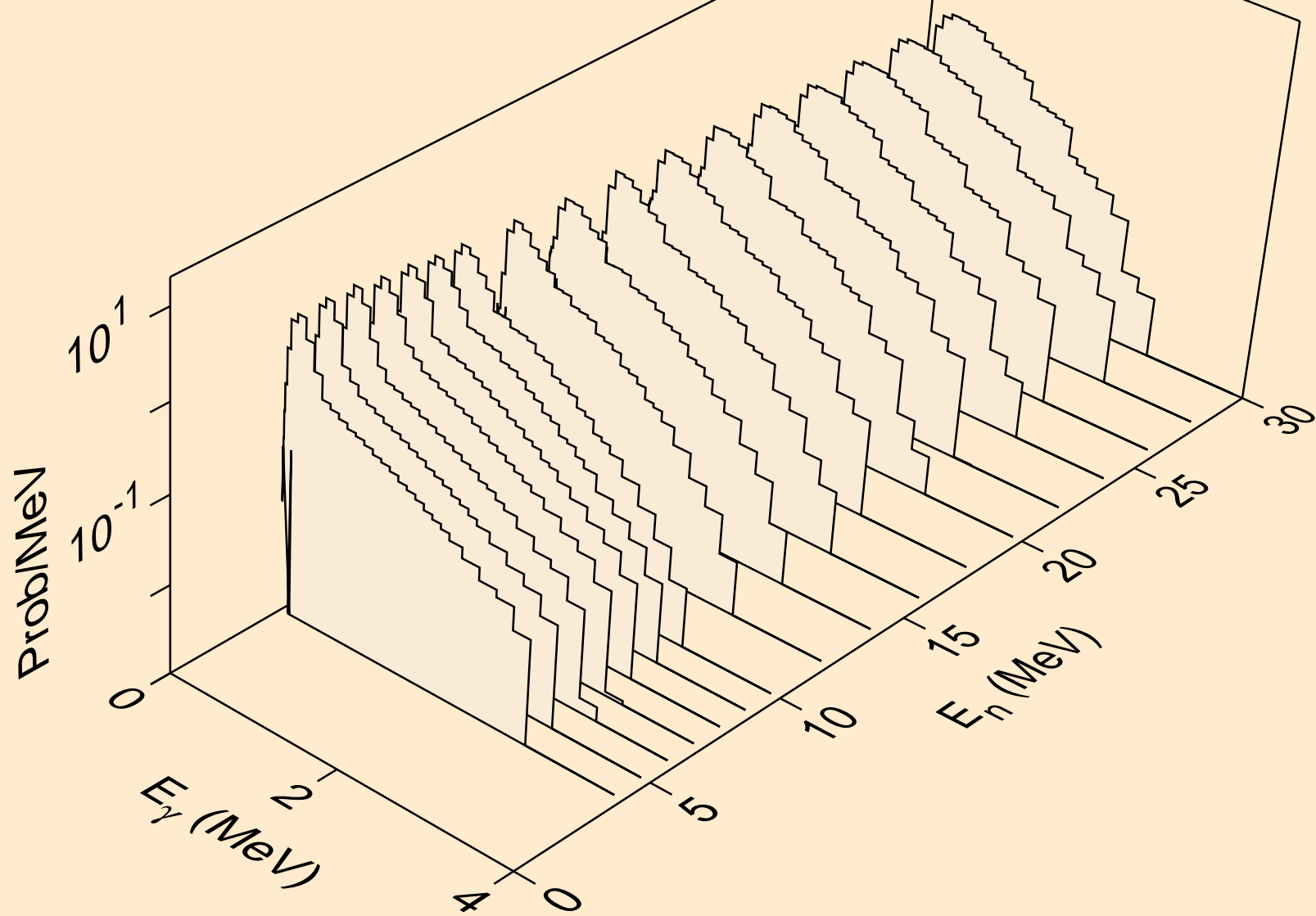
BH268 DEUTERON ACER TENDL-2021 LIBRARY; T=0.K
Photon emission for (n,2np)



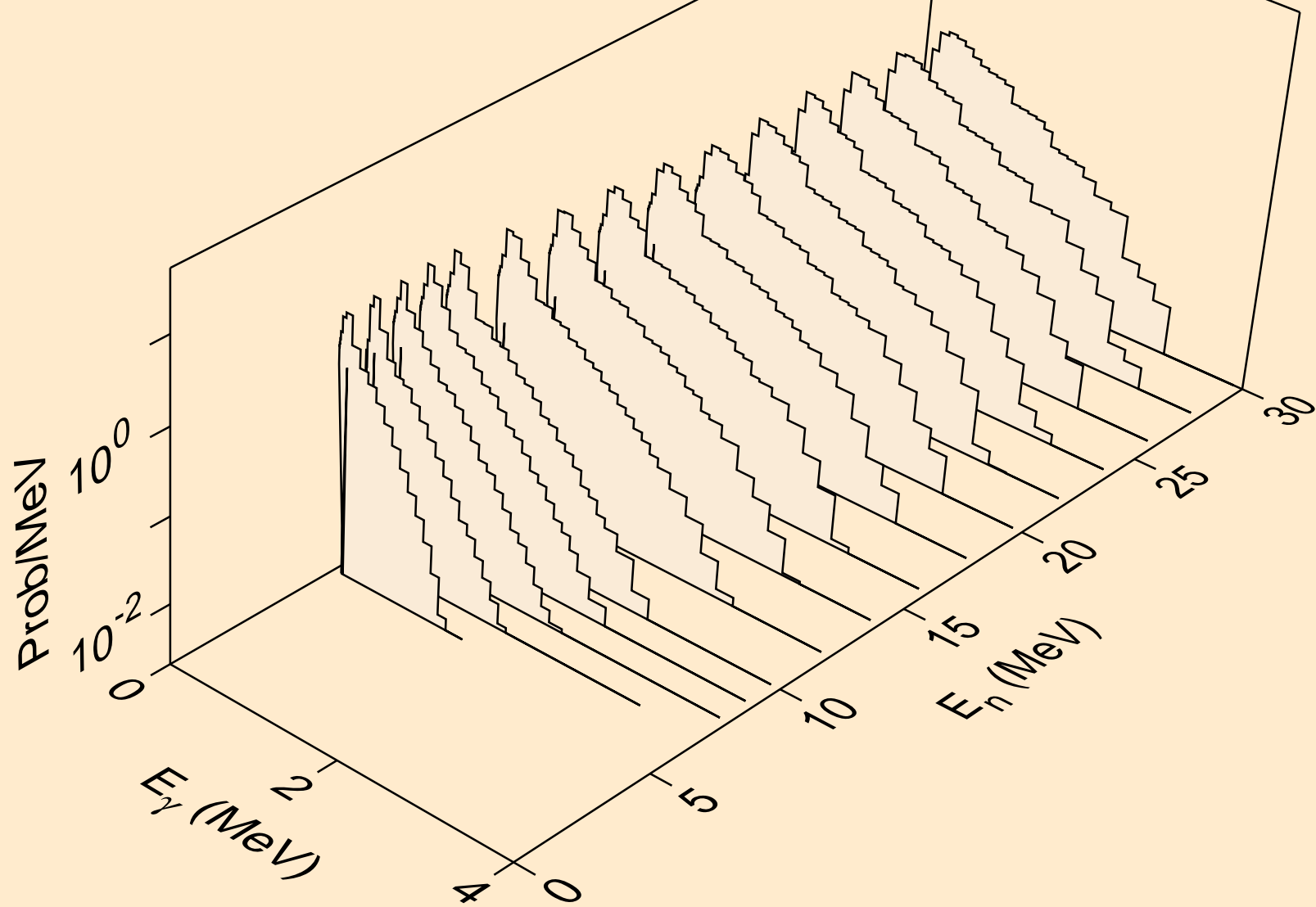
BH268 DEUTERON ACER TENDL-2021 LIBRARY; T=0.K
Photon emission for (n,npa)



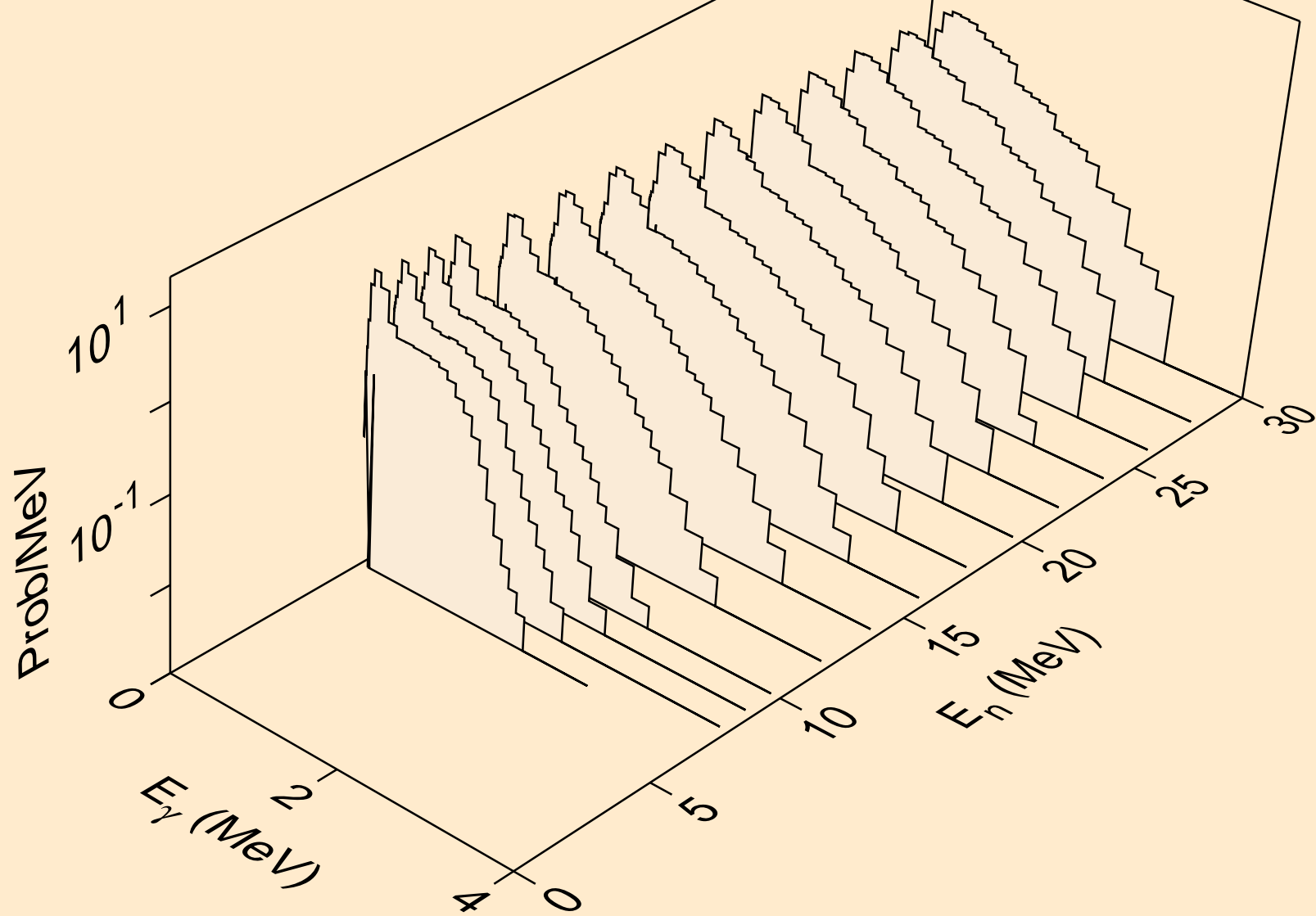
BH268 DEUTERON ACER TENDL-2021 LIBRARY; T=0.K
Photon emission for (n,p)



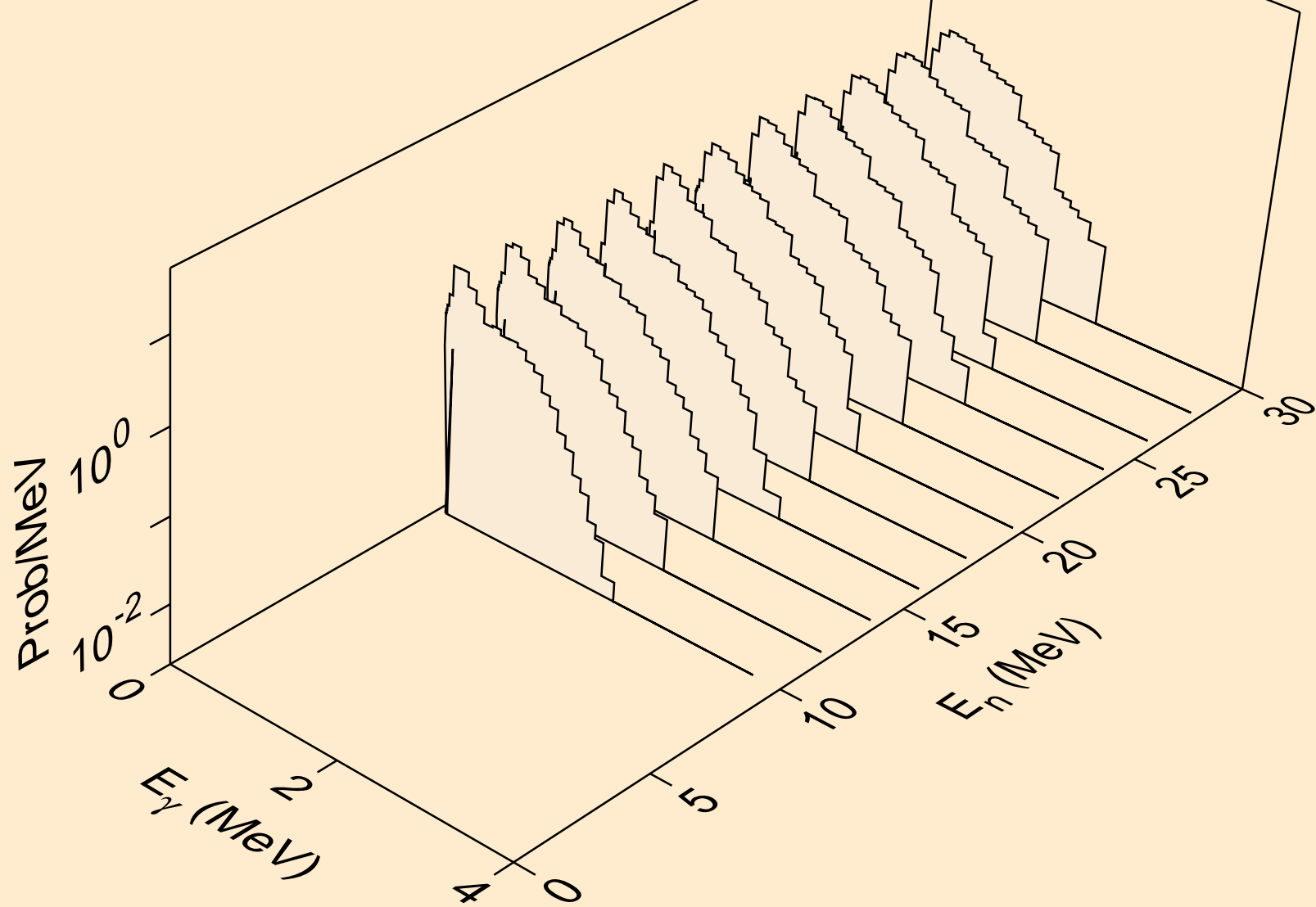
BH268 DEUTERON ACER TENDL-2021 LIBRARY; T=0.K
Photon emission for inelastic



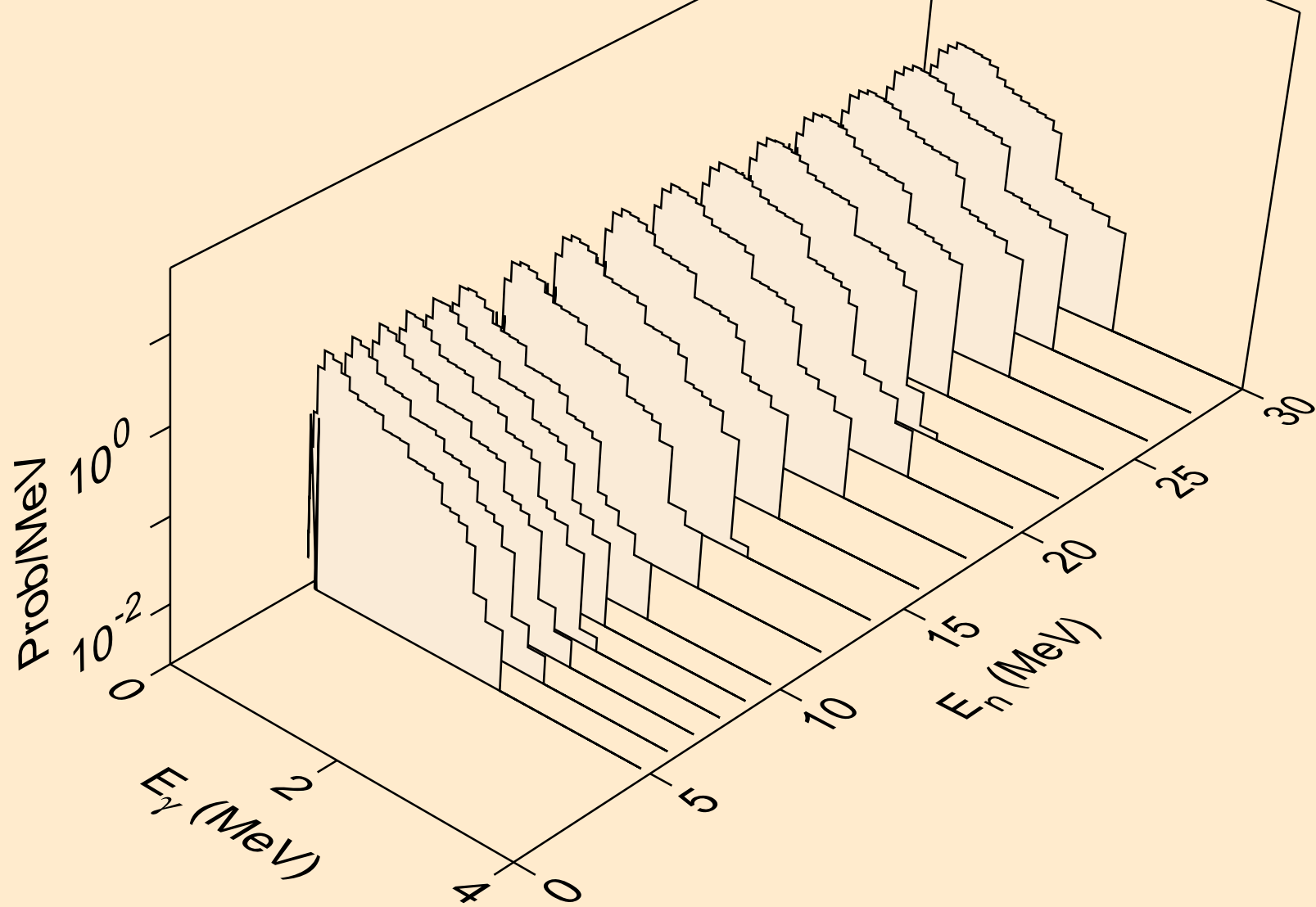
BH268 DEUTERON ACER TENDL-2021 LIBRARY; T=0.K
Photon emission for (n,t)



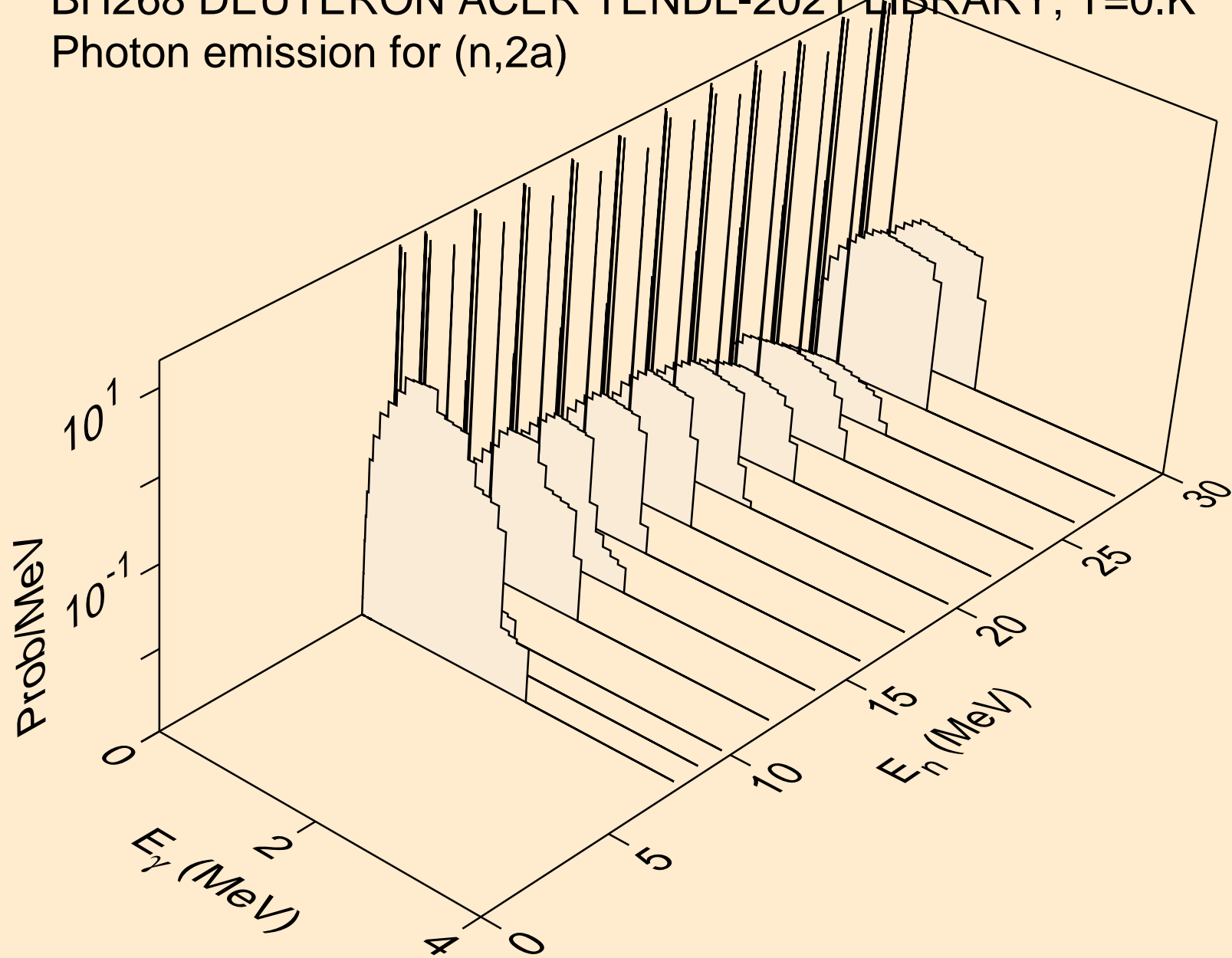
BH268 DEUTERON ACER TENDL-2021 LIBRARY; T=0.K
Photon emission for (n,he3)



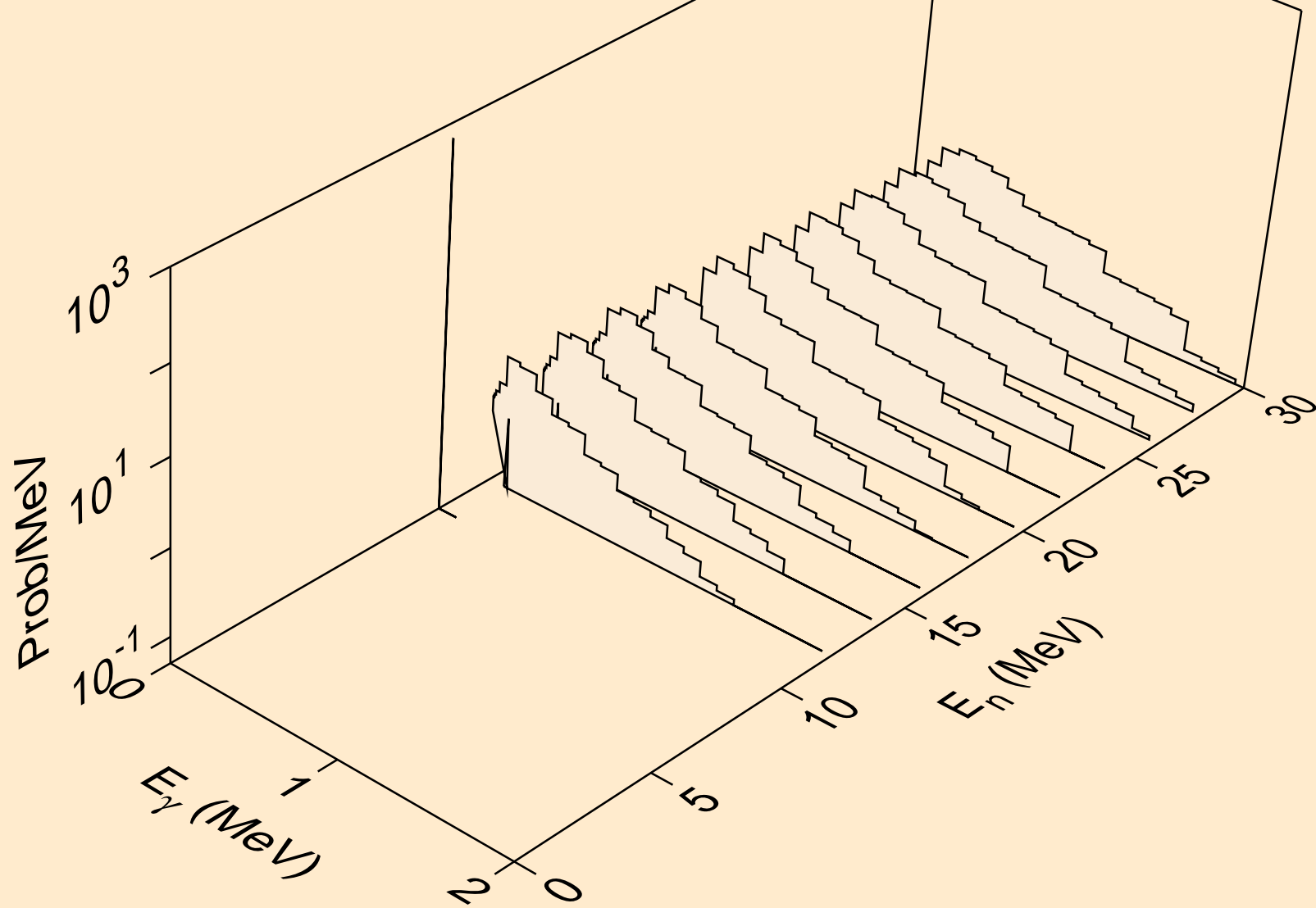
BH268 DEUTERON ACER TENDL-2021 LIBRARY; T=0.K
Photon emission for (n,a)



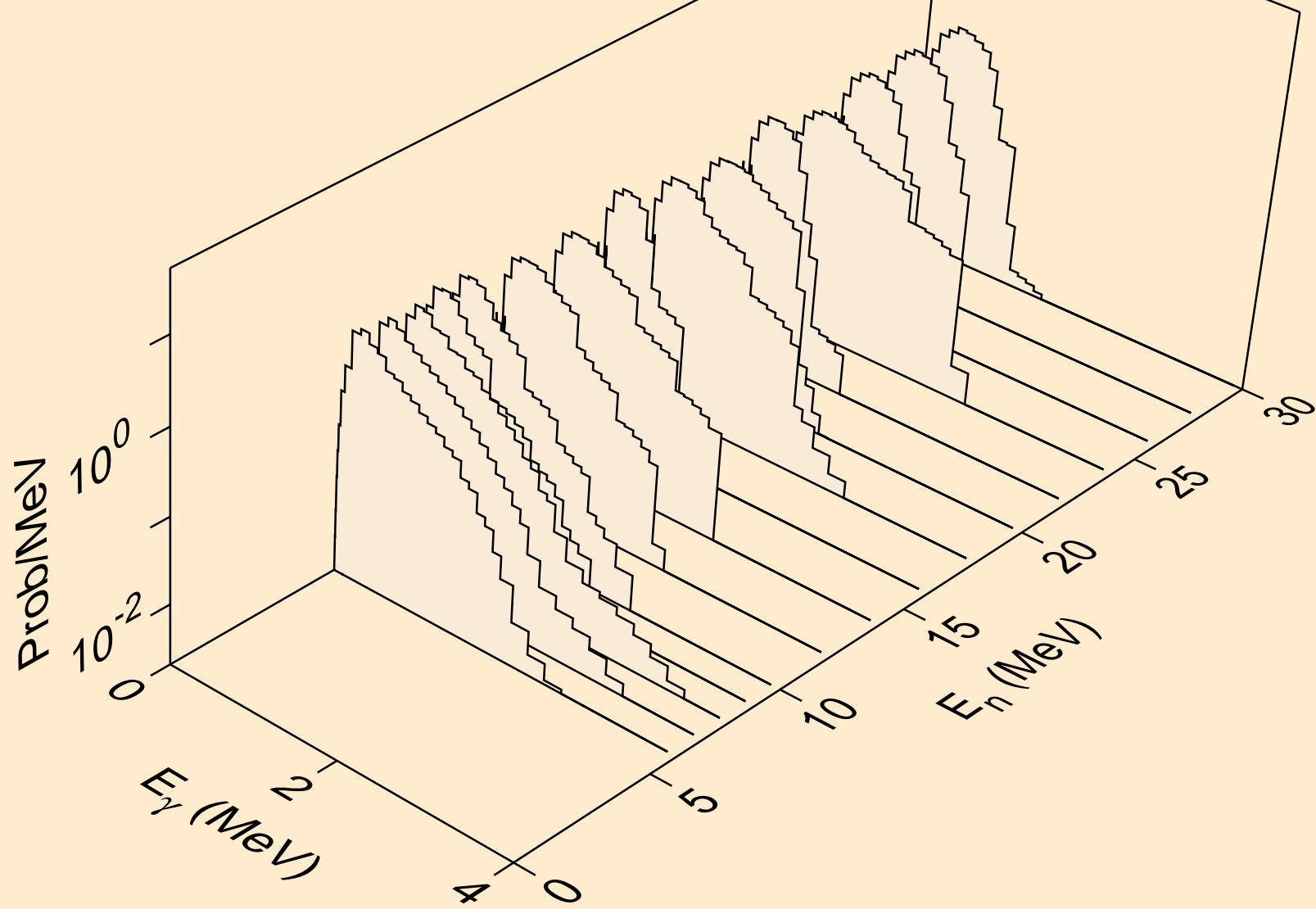
BH268 DEUTERON ACER TENDL-2021 LIBRARY; T=0.K
Photon emission for (n,2a)



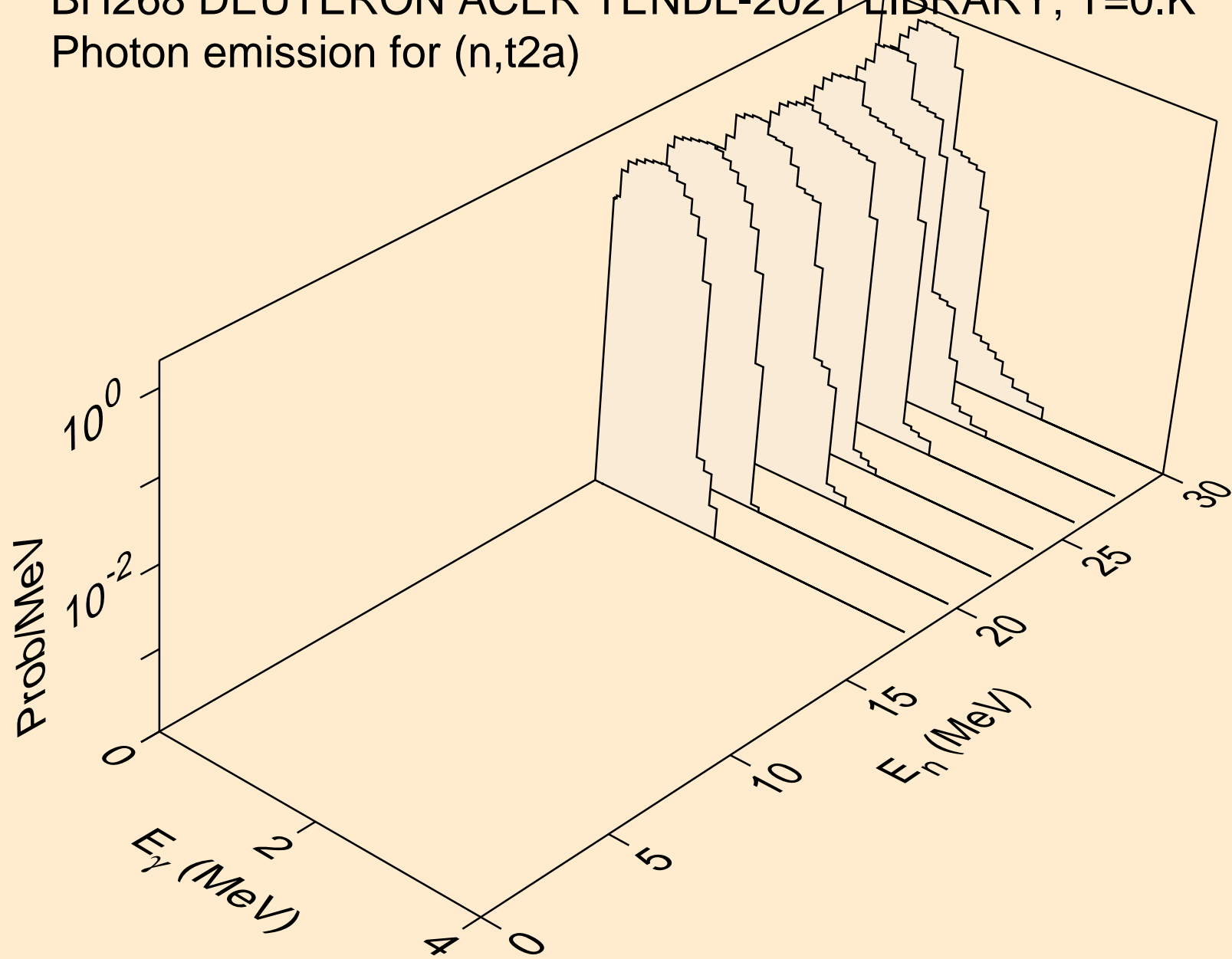
BH268 DEUTERON ACER TENDL-2021 LIBRARY; T=0.K
Photon emission for (n,2p)



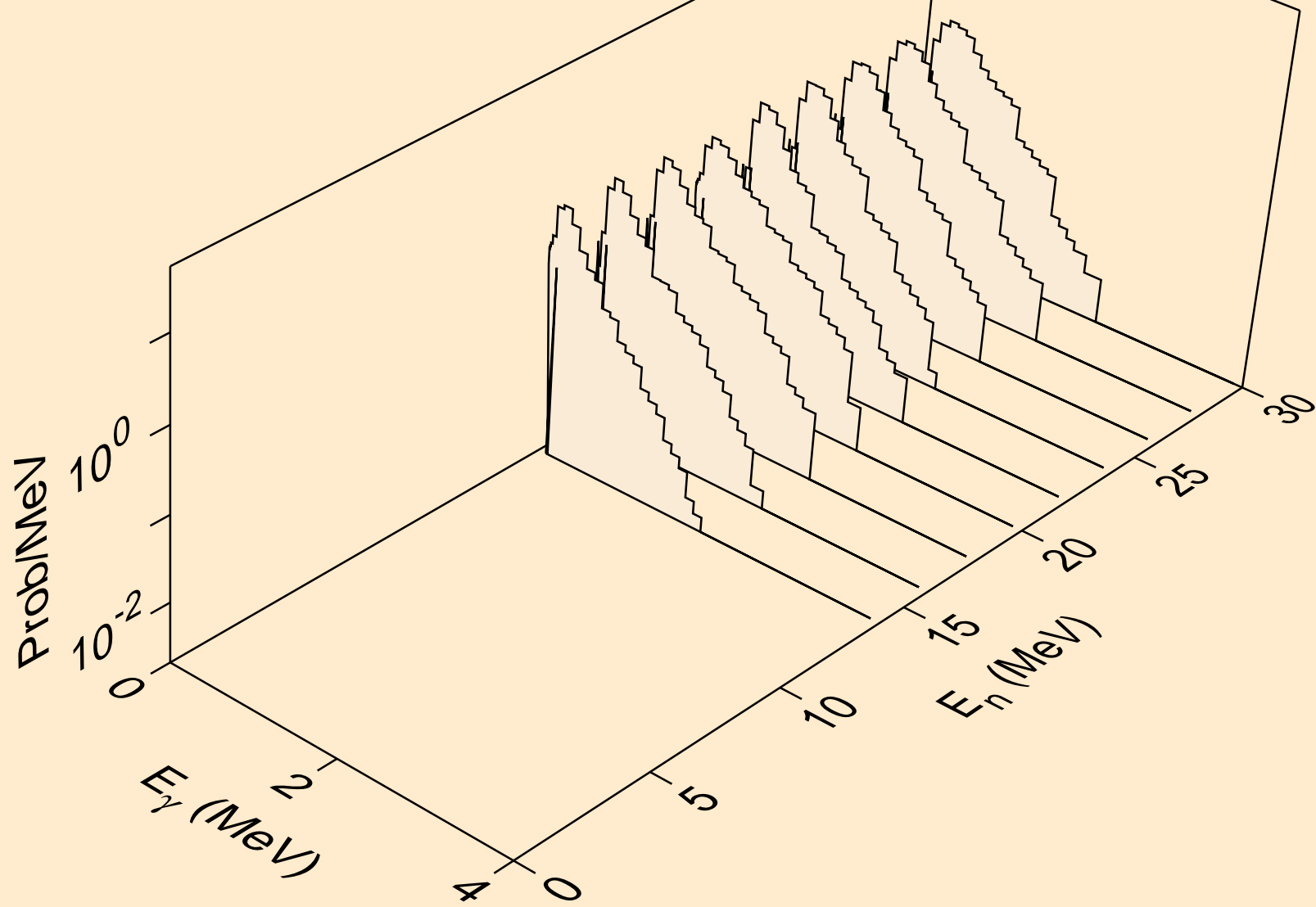
BH268 DEUTERON ACER TENDL-2021 LIBRARY; T=0.K
Photon emission for (n,p)



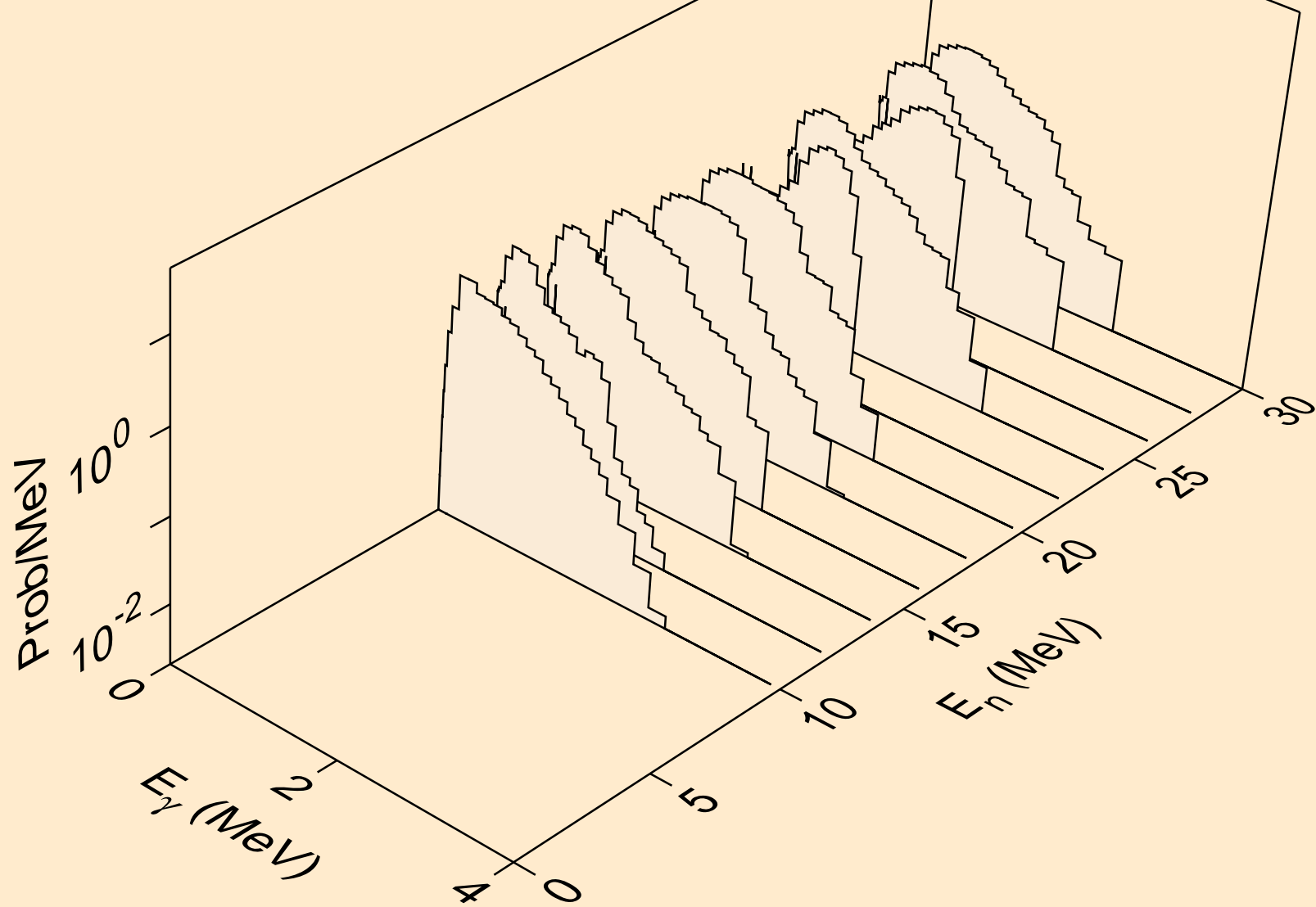
BH268 DEUTERON ACER TENDL-2021 LIBRARY; T=0.K
Photon emission for (n,t2a)



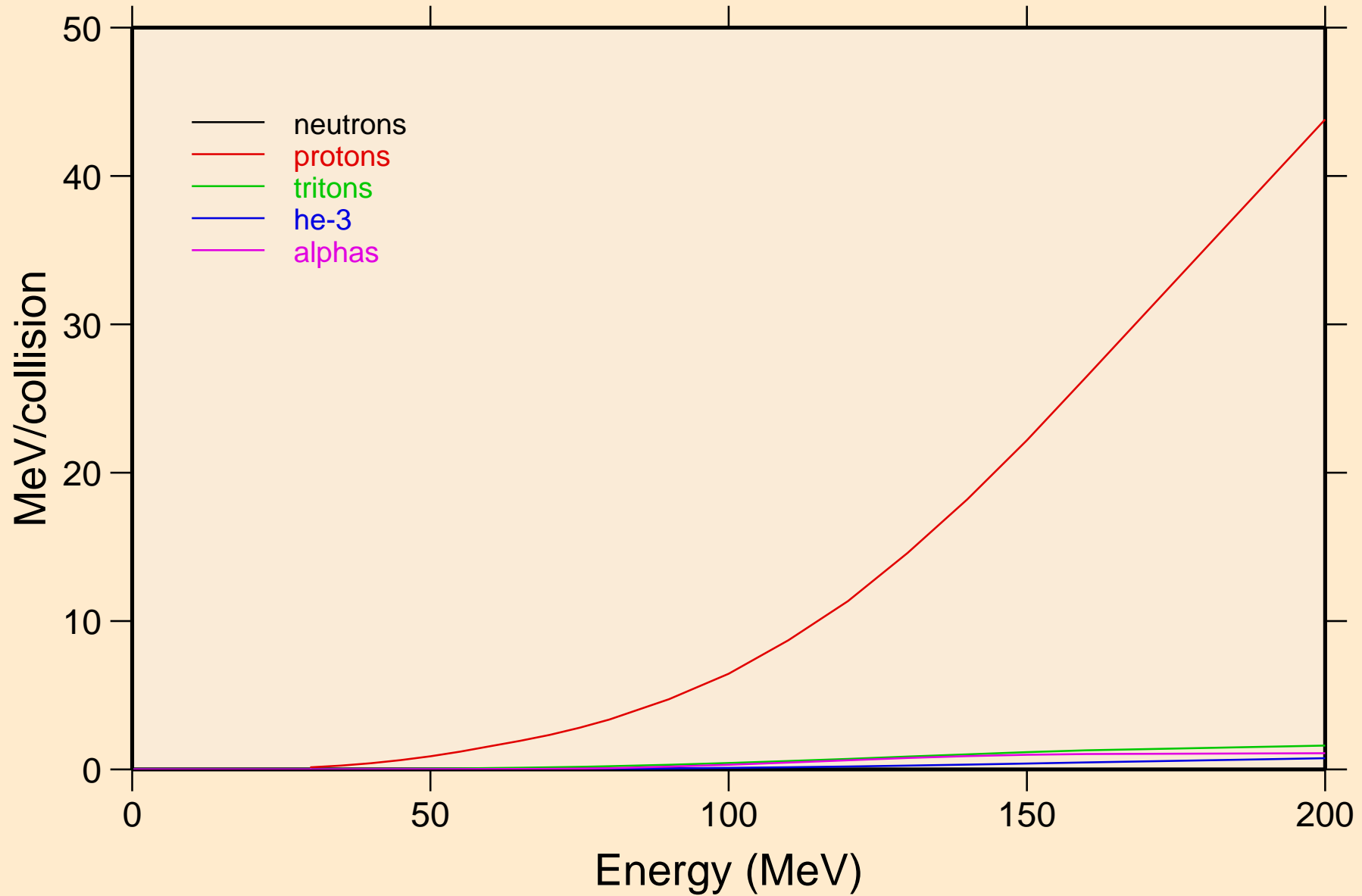
BH268 DEUTERON ACER TENDL-2021 LIBRARY; T=0.K
Photon emission for (n,pd)



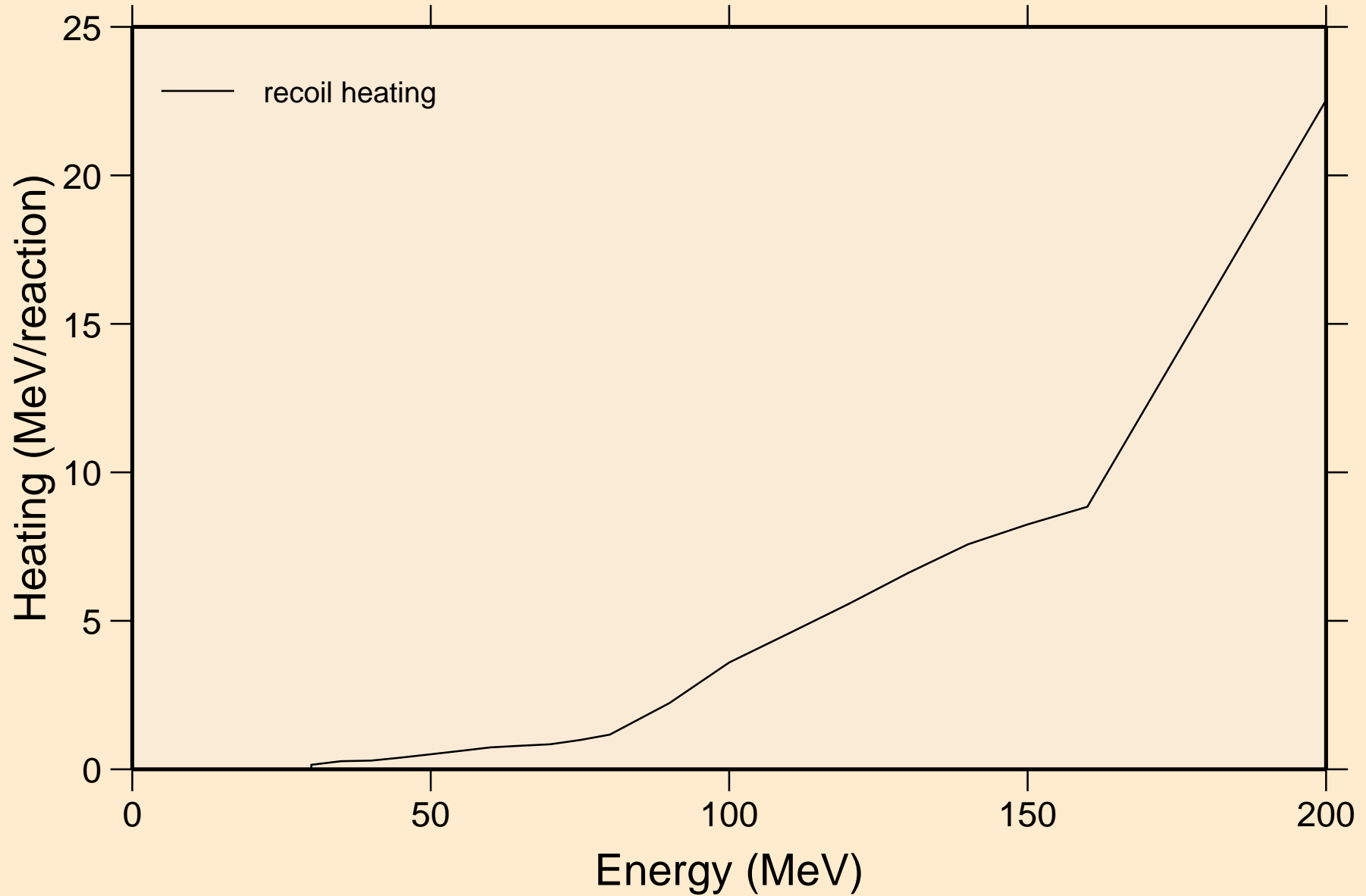
BH268 DEUTERON ACER TENDL-2021 LIBRARY; T=0.K
Photon emission for (n,da)



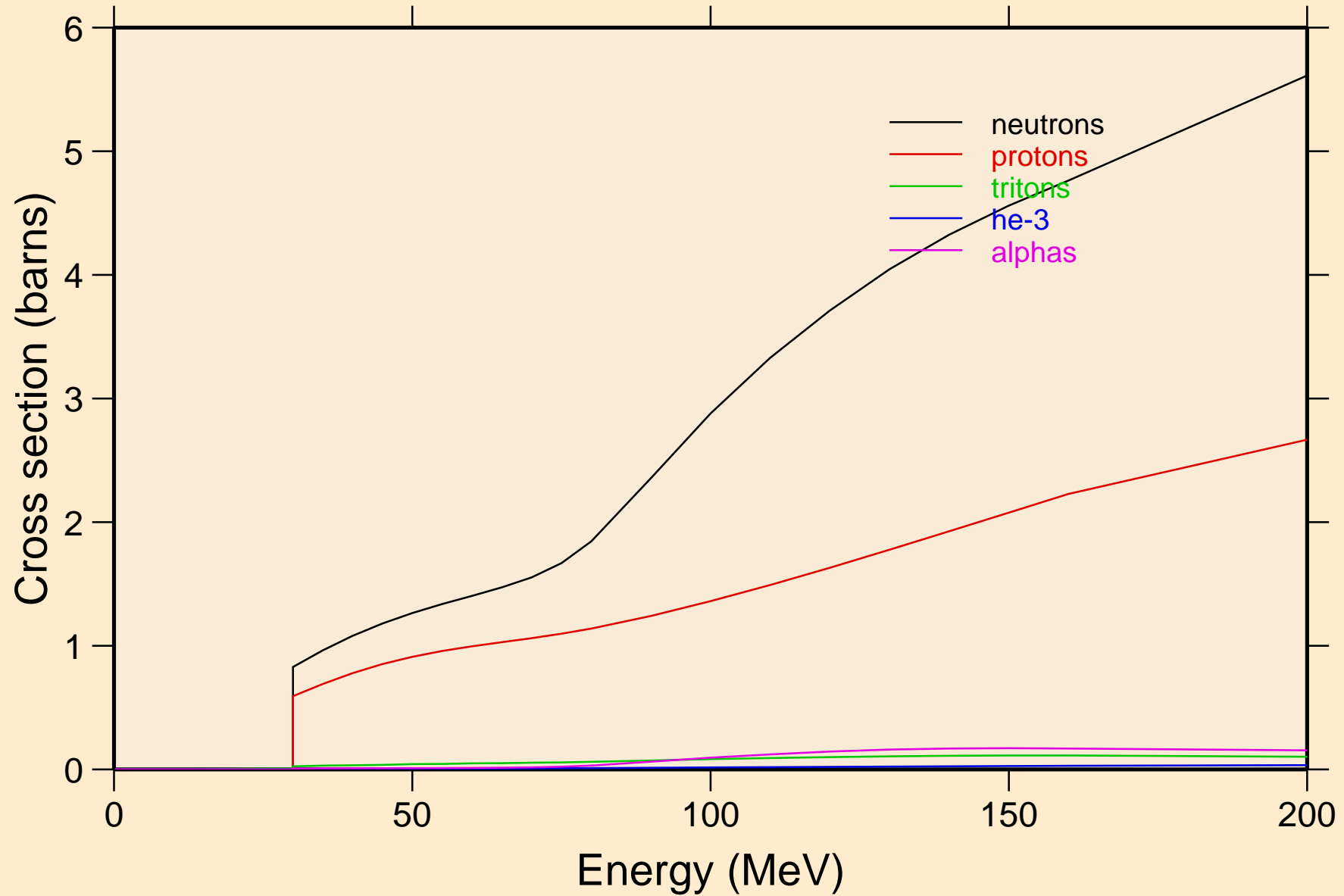
BH268 DEUTERON ACER TENDL-2021 LIBRARY; T=0.K
Particle heating contributions



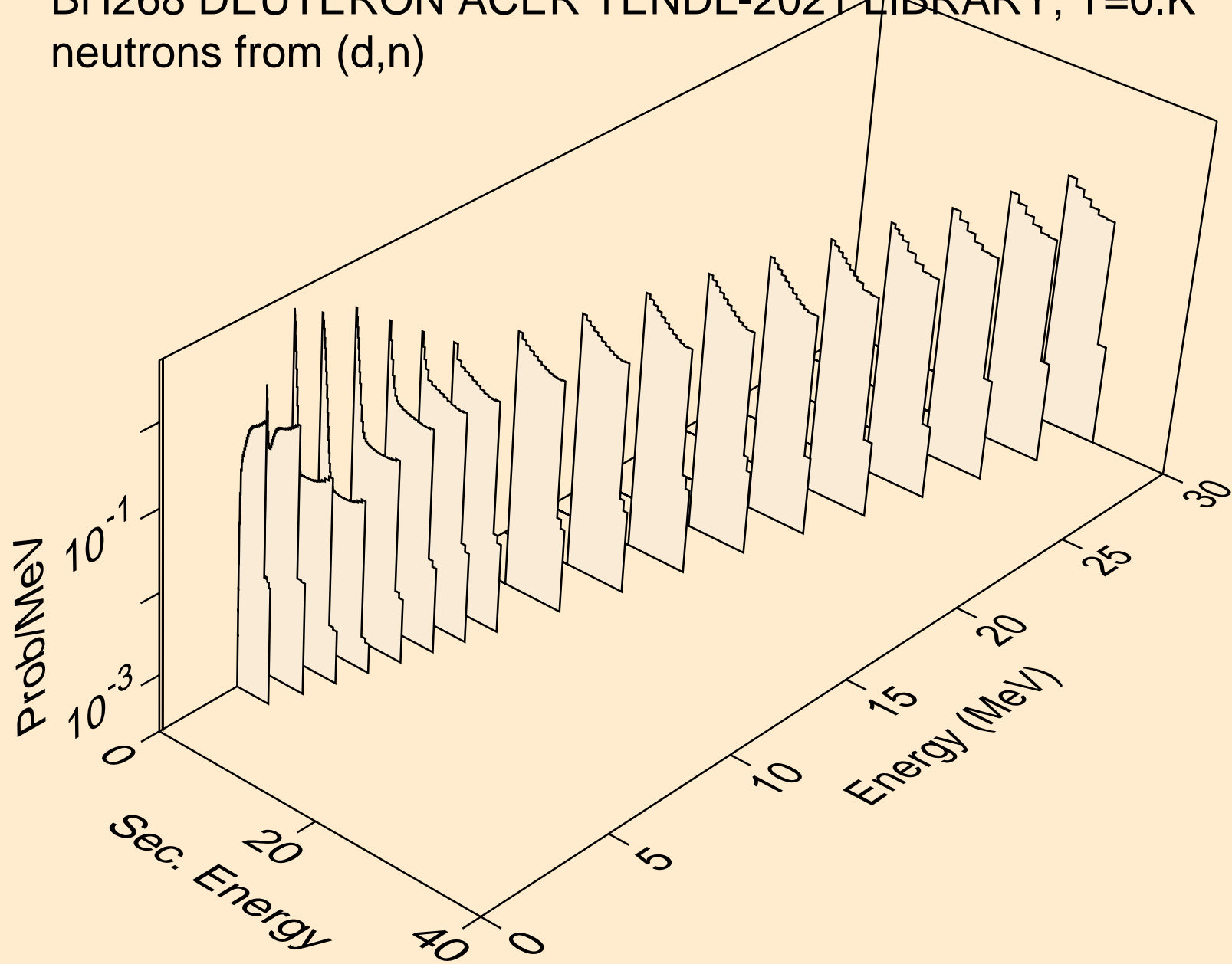
BH268 DEUTERON ACER TENDL-2021 LIBRARY; T=0.K
Recoil Heating



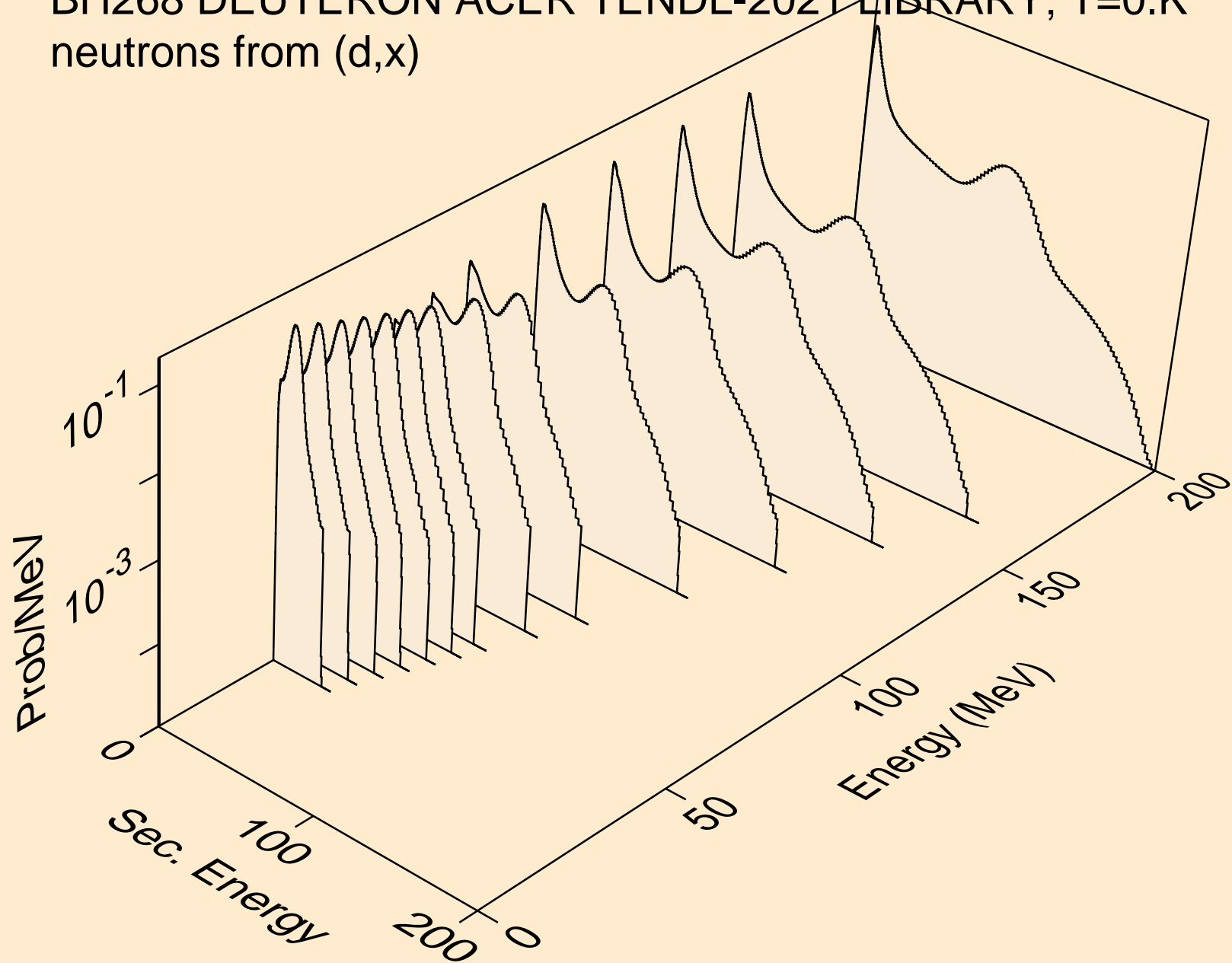
BH268 DEUTERON ACER TENDL-2021 LIBRARY; T=0.K
Particle production cross sections



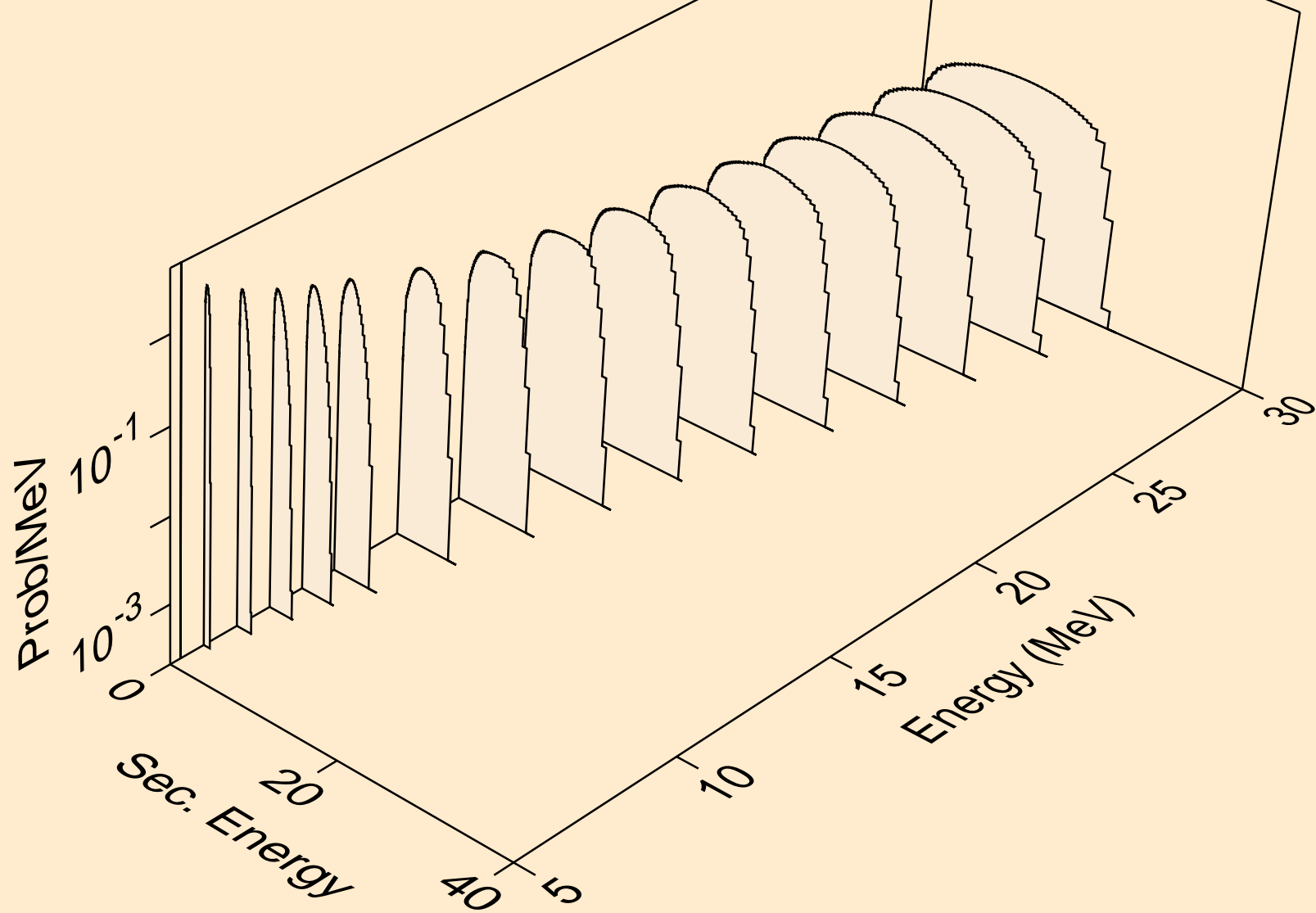
BH268 DEUTERON ACER TENDL-2021 LIBRARY; T=0.K
neutrons from (d,n)



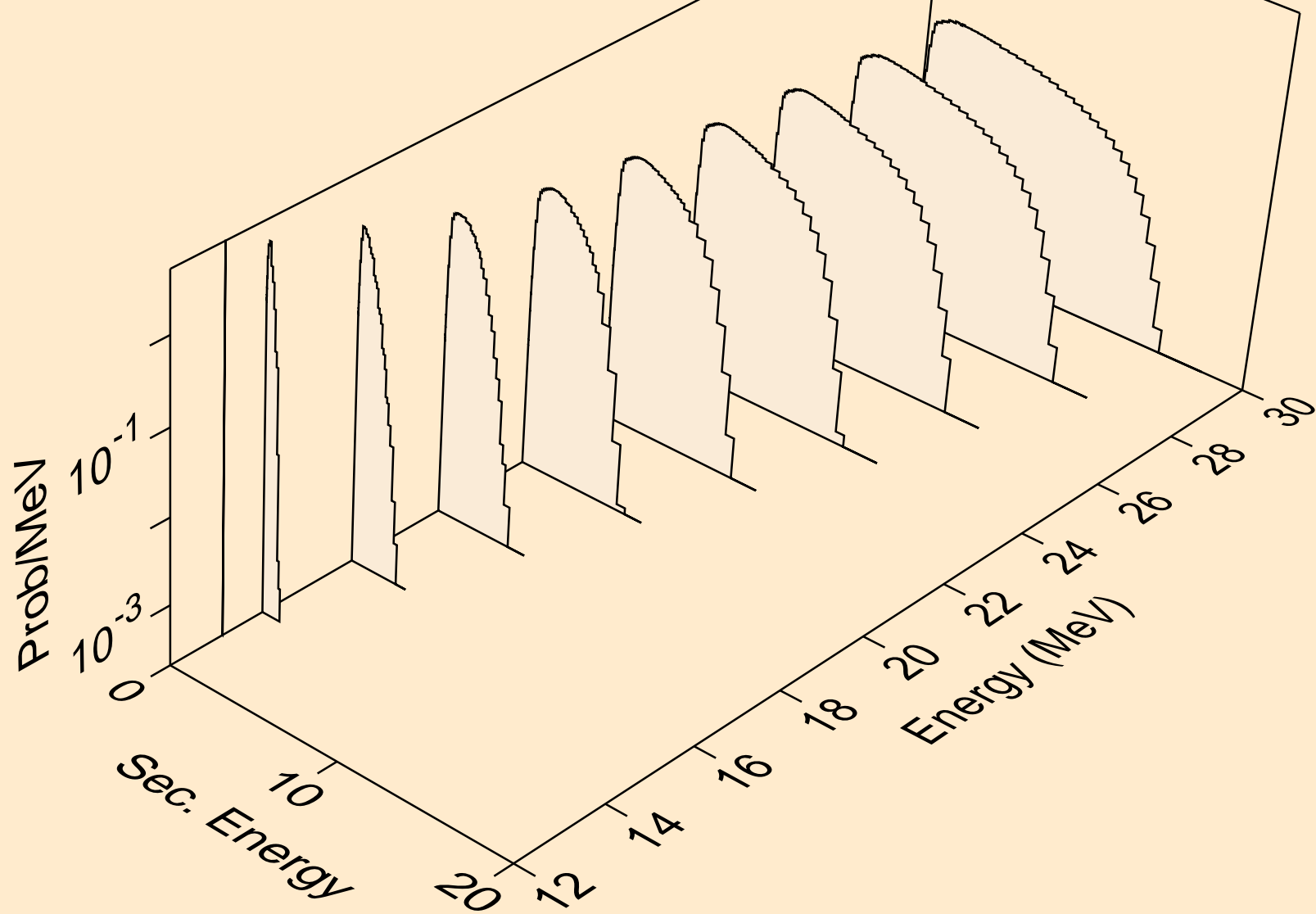
BH268 DEUTERON ACER TENDL-2021 LIBRARY; T=0.K
neutrons from (d,x)



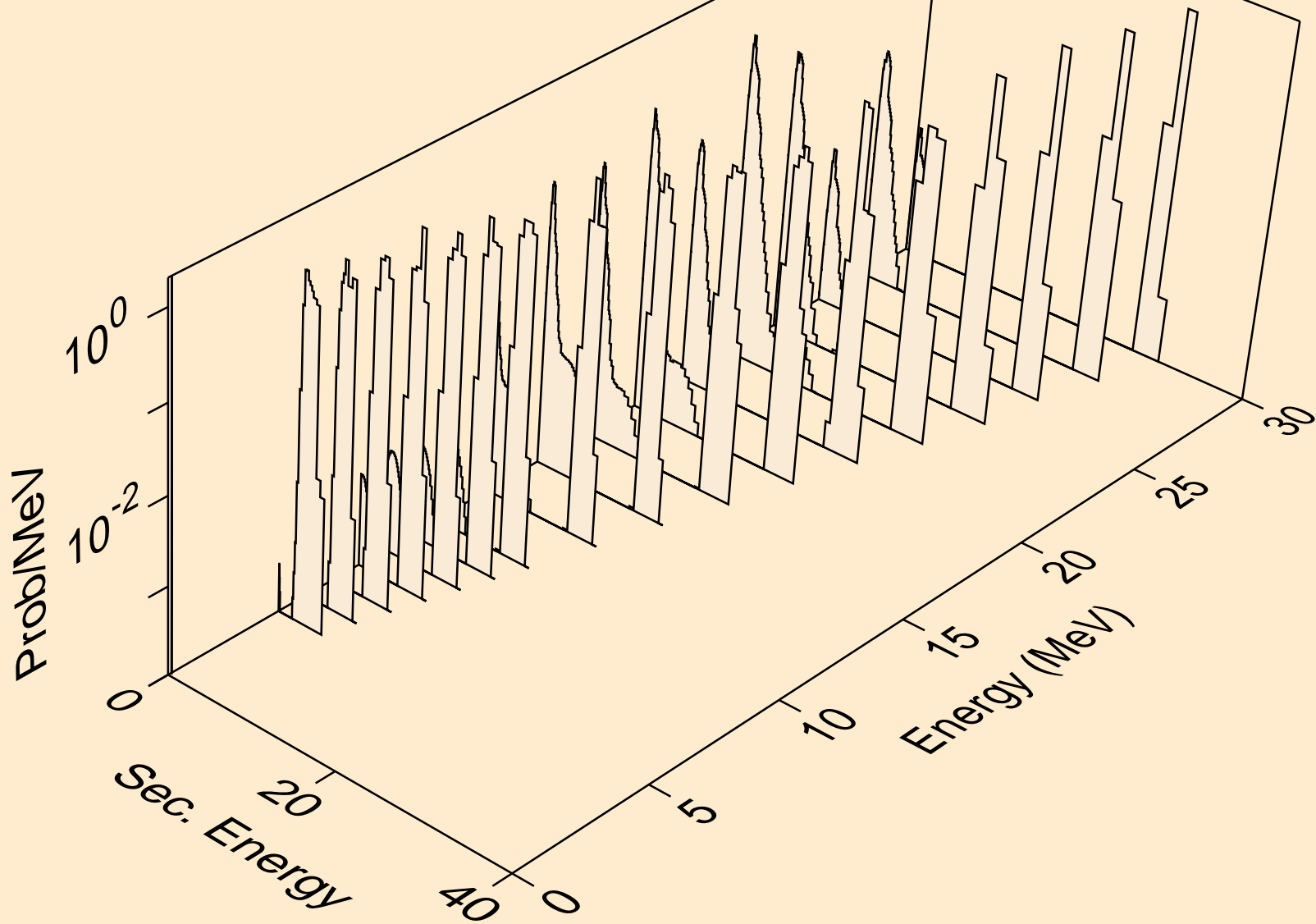
BH268 DEUTERON ACER TENDL-2021 LIBRARY; T=0.K
neutrons from (d,2n)



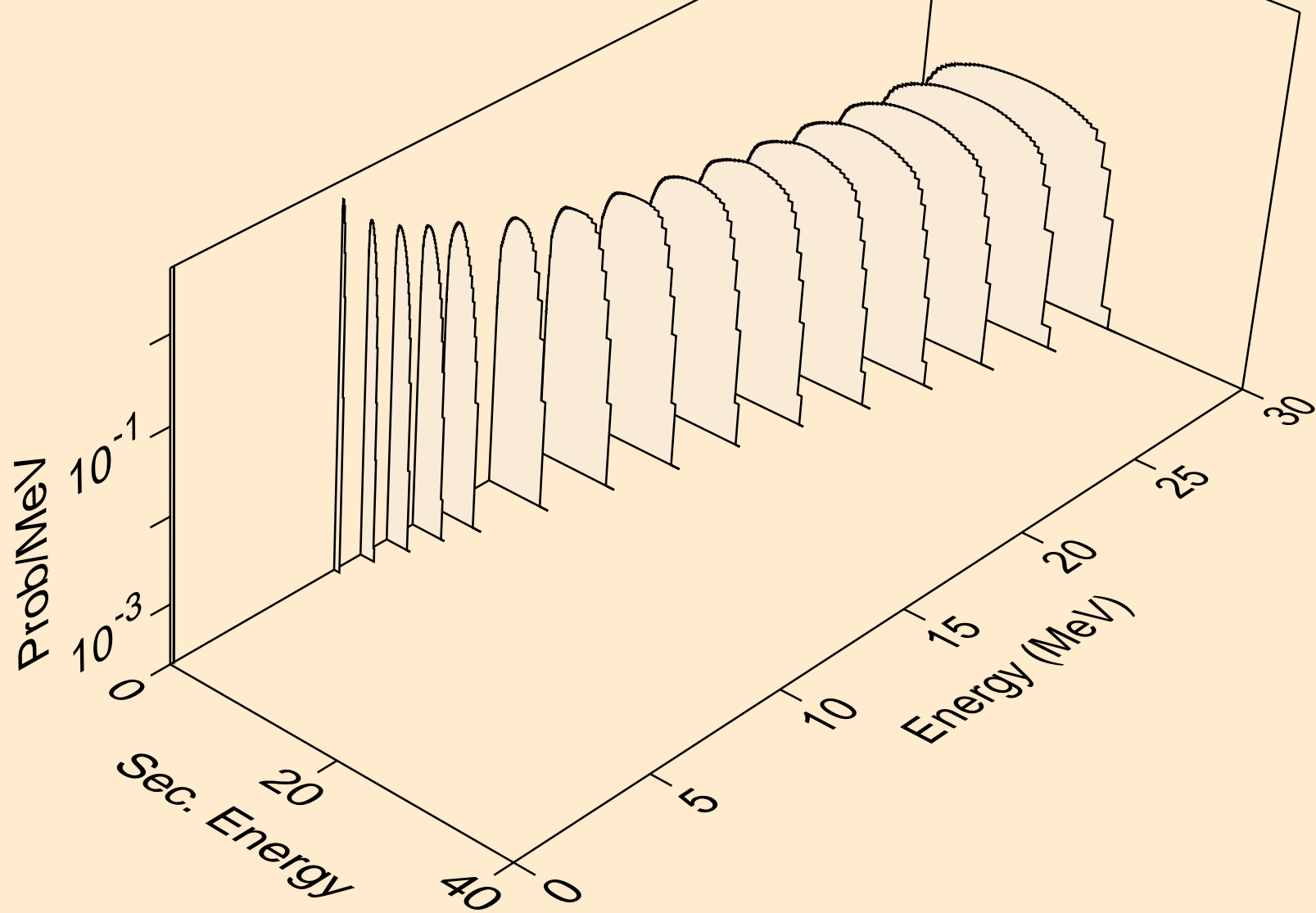
BH268 DEUTERON ACER TENDL-2021 LIBRARY; T=0.K
neutrons from (d,3n)



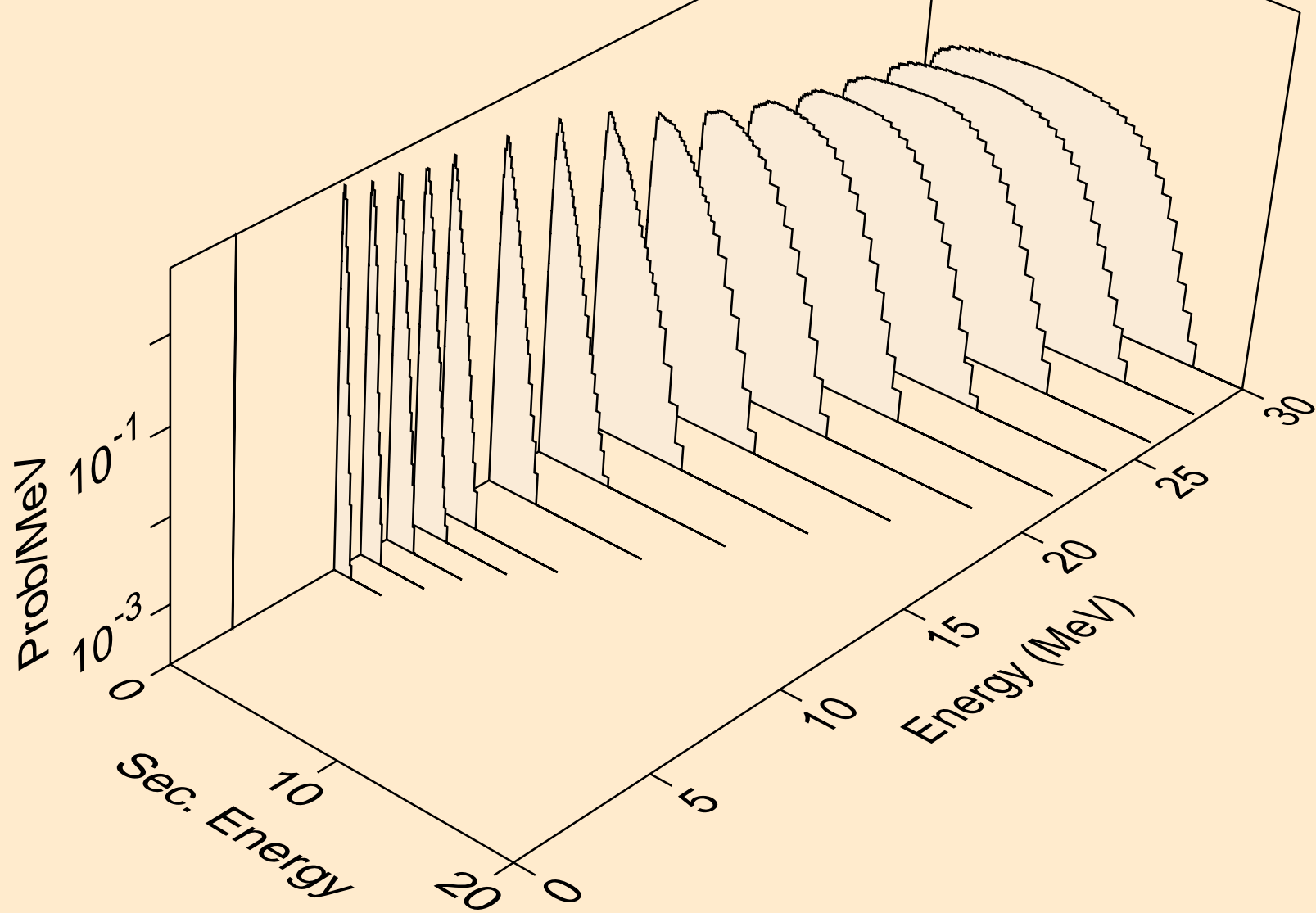
BH268 DEUTERON ACER TENDL-2021 LIBRARY; T=0.K
neutrons from (d,n*)a



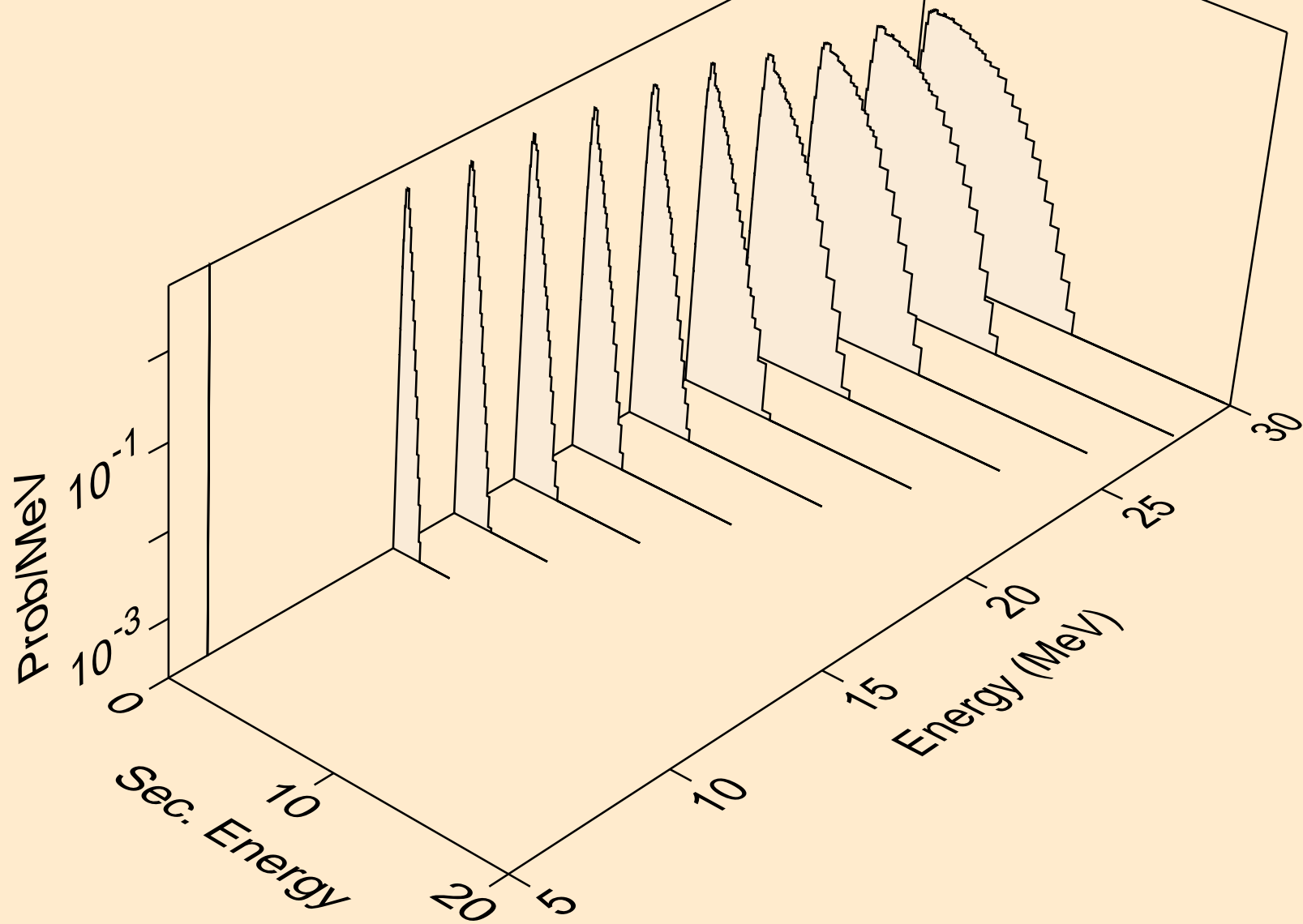
BH268 DEUTERON ACER TENDL-2021 LIBRARY; T=0.K
neutrons from (d,2n)a



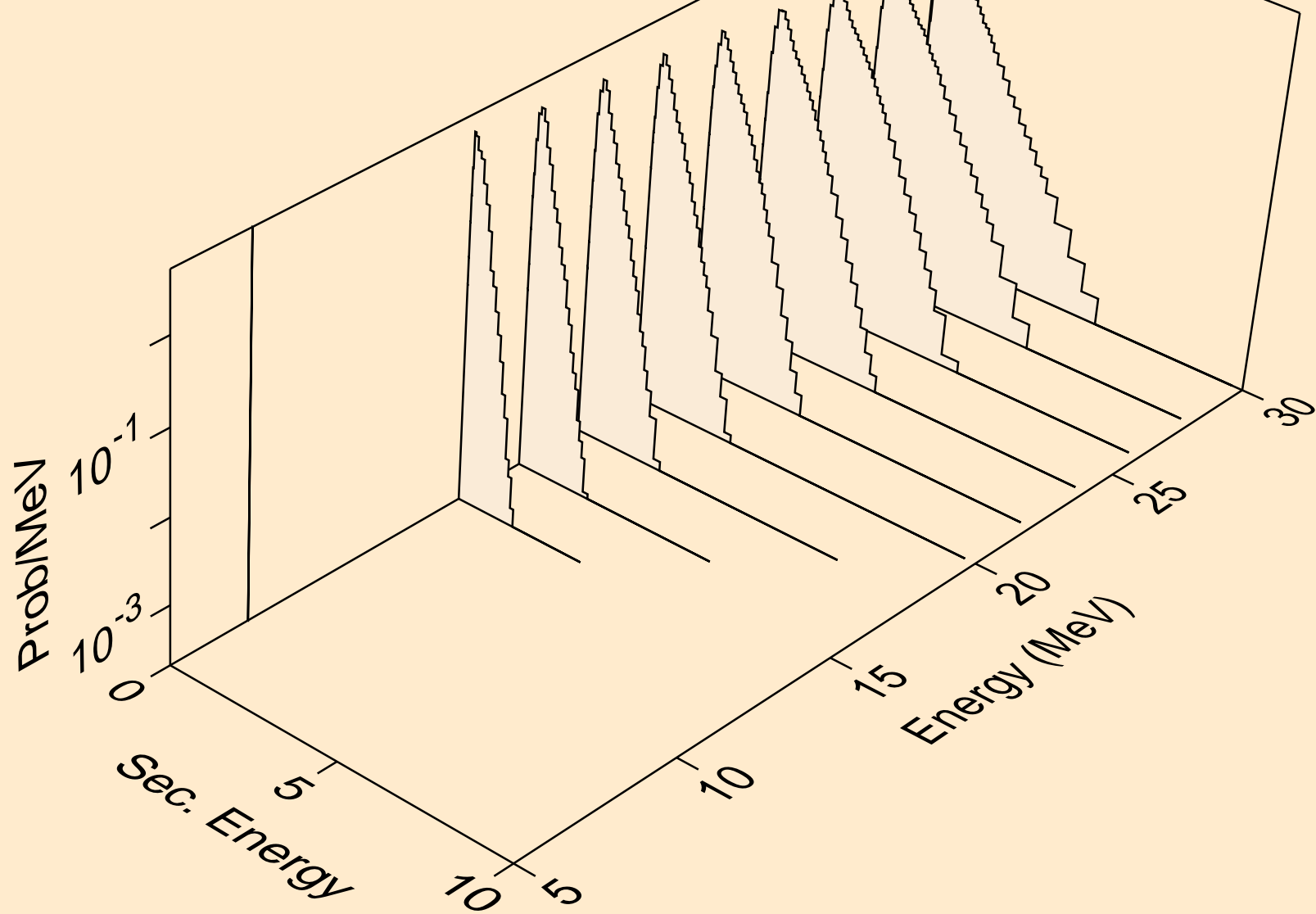
BH268 DEUTERON ACER TENDL-2021 LIBRARY; T=0.K
neutrons from (d,n*)p



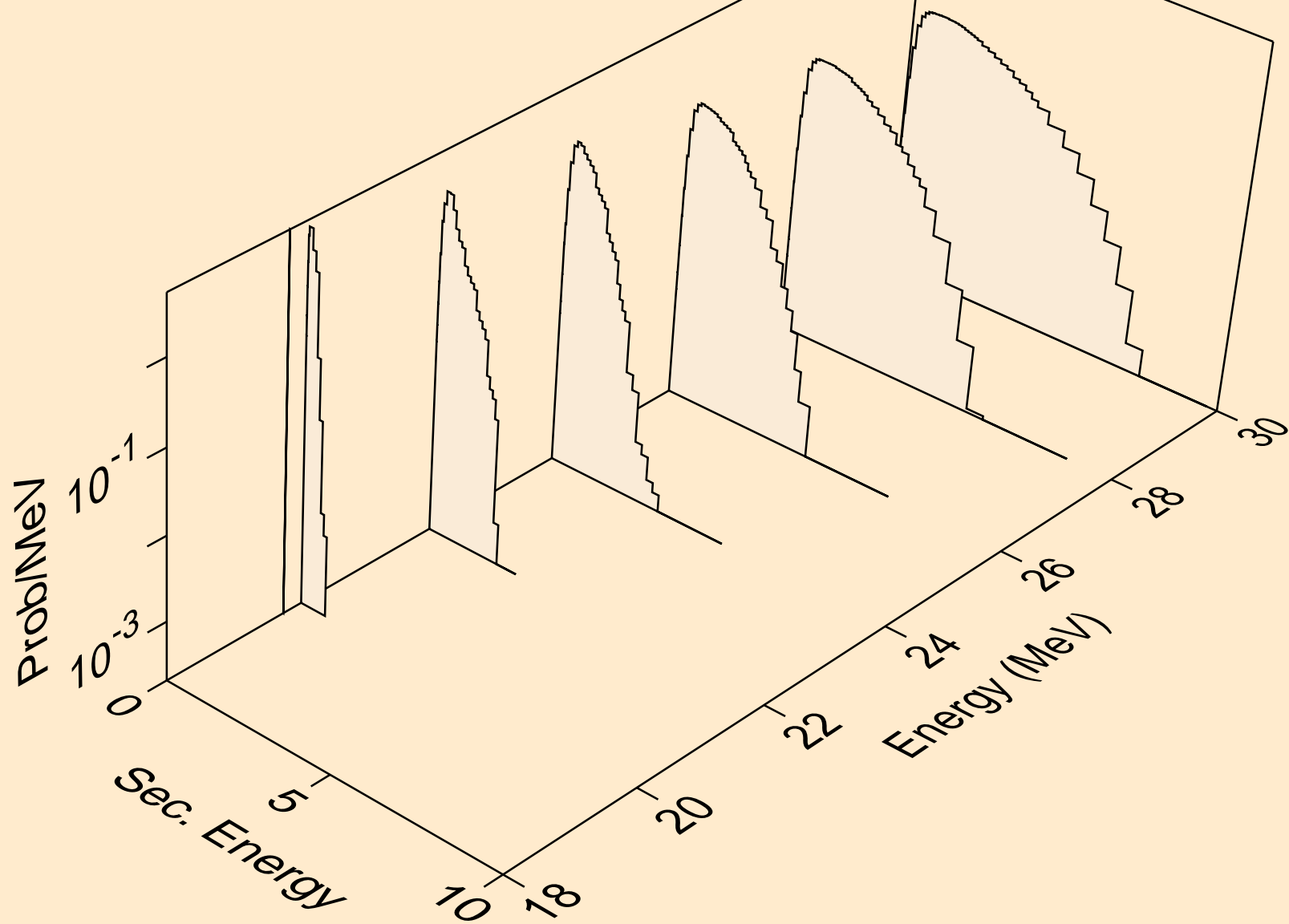
BH268 DEUTERON ACER TENDL-2021 LIBRARY; T=0.K
neutrons from (d,n*)d



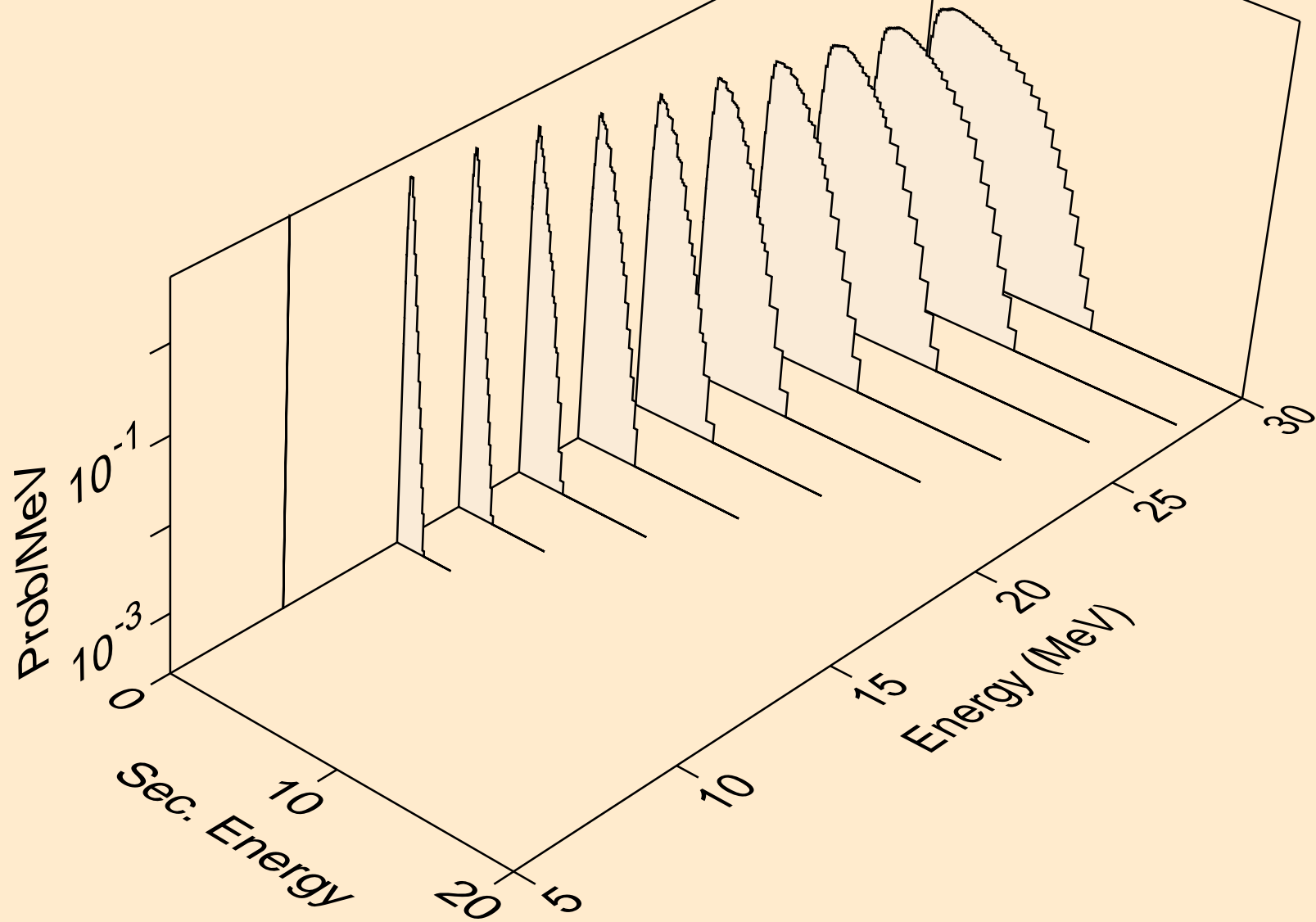
BH268 DEUTERON ACER TENDL-2021 LIBRARY; T=0.K
neutrons from (d,n*)t



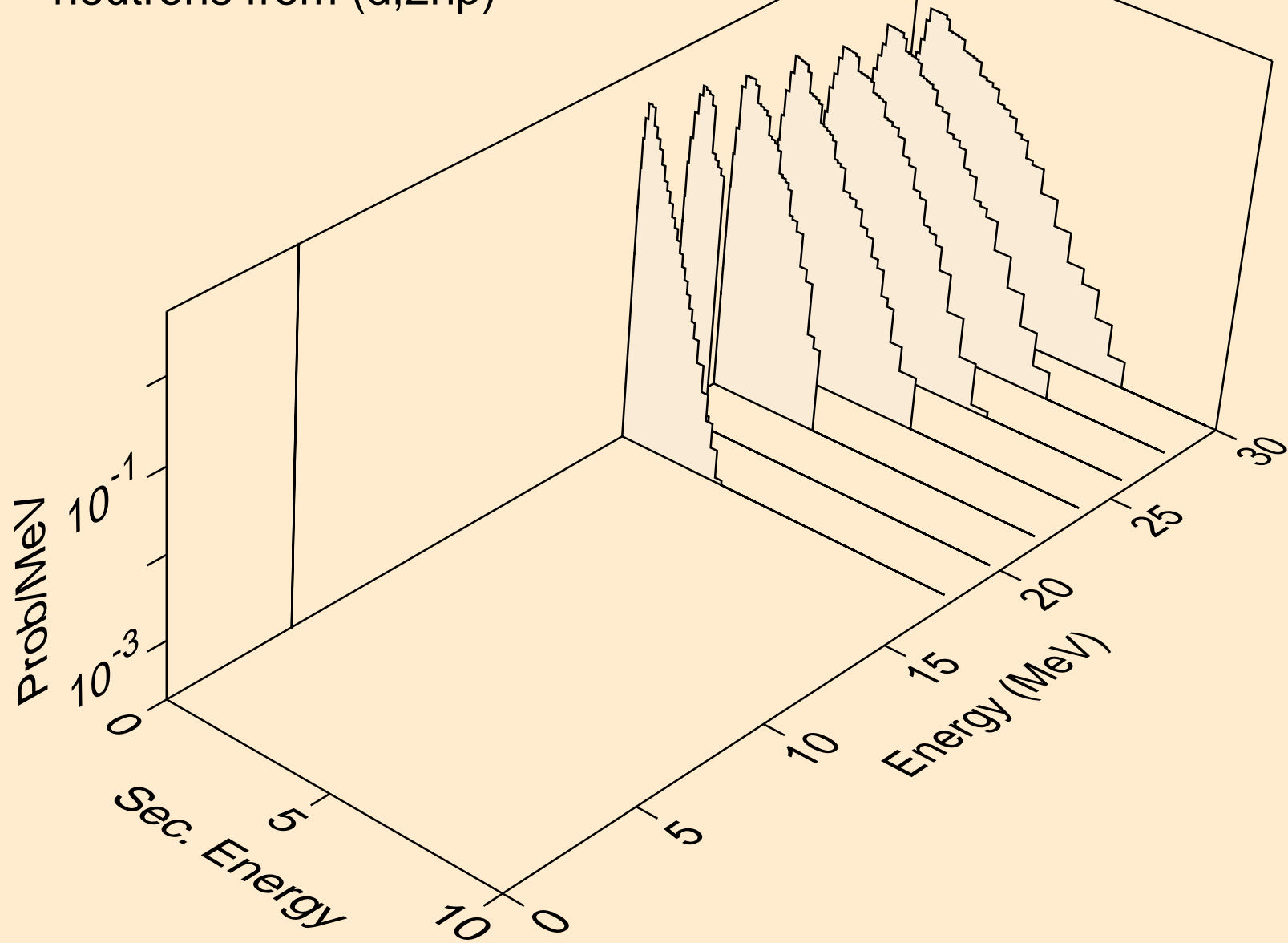
BH268 DEUTERON ACER TENDL-2021 LIBRARY; T=0.K
neutrons from (d,4n)



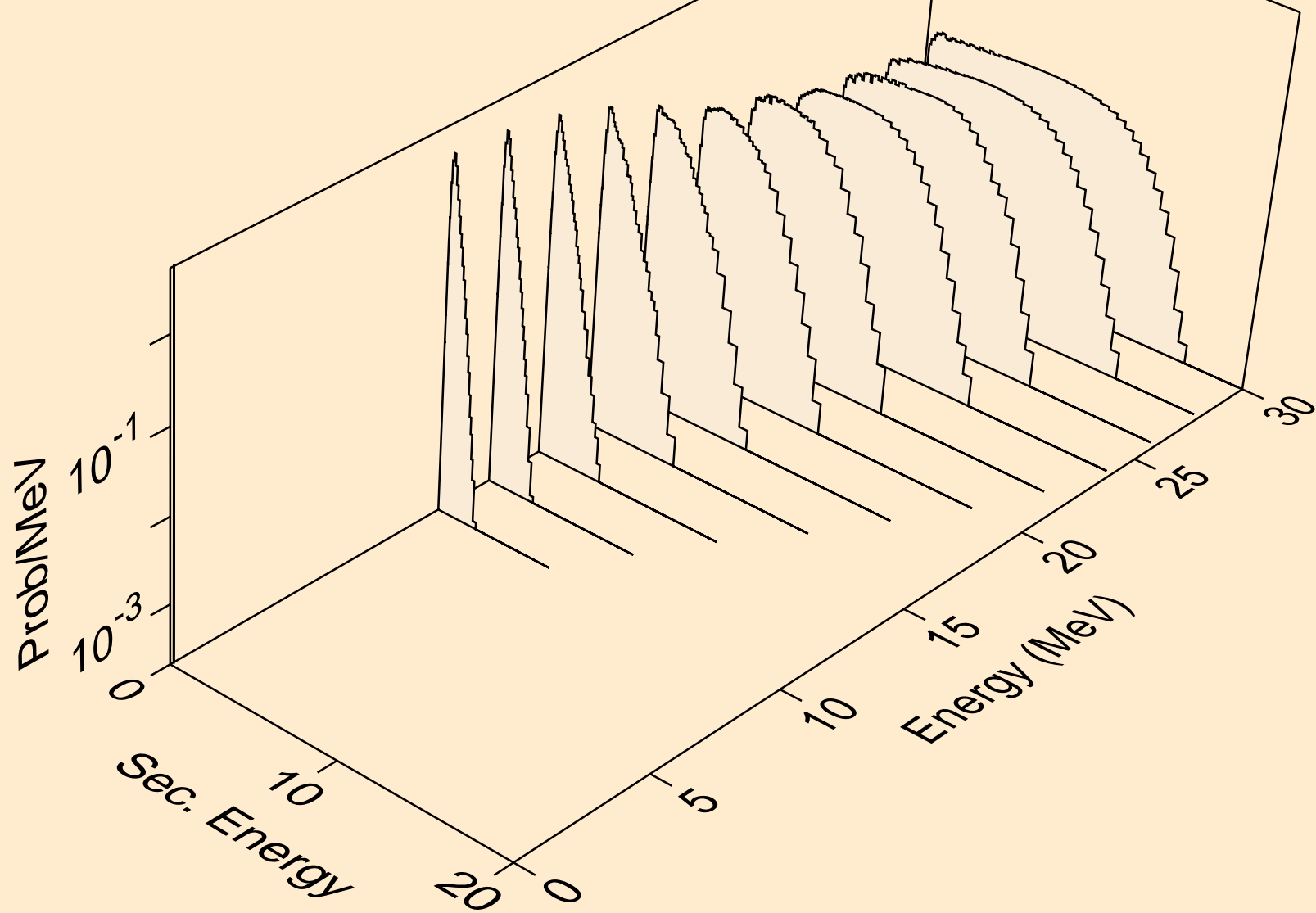
BH268 DEUTERON ACER TENDL-2021 LIBRARY; T=0.K
neutrons from (d,2np)



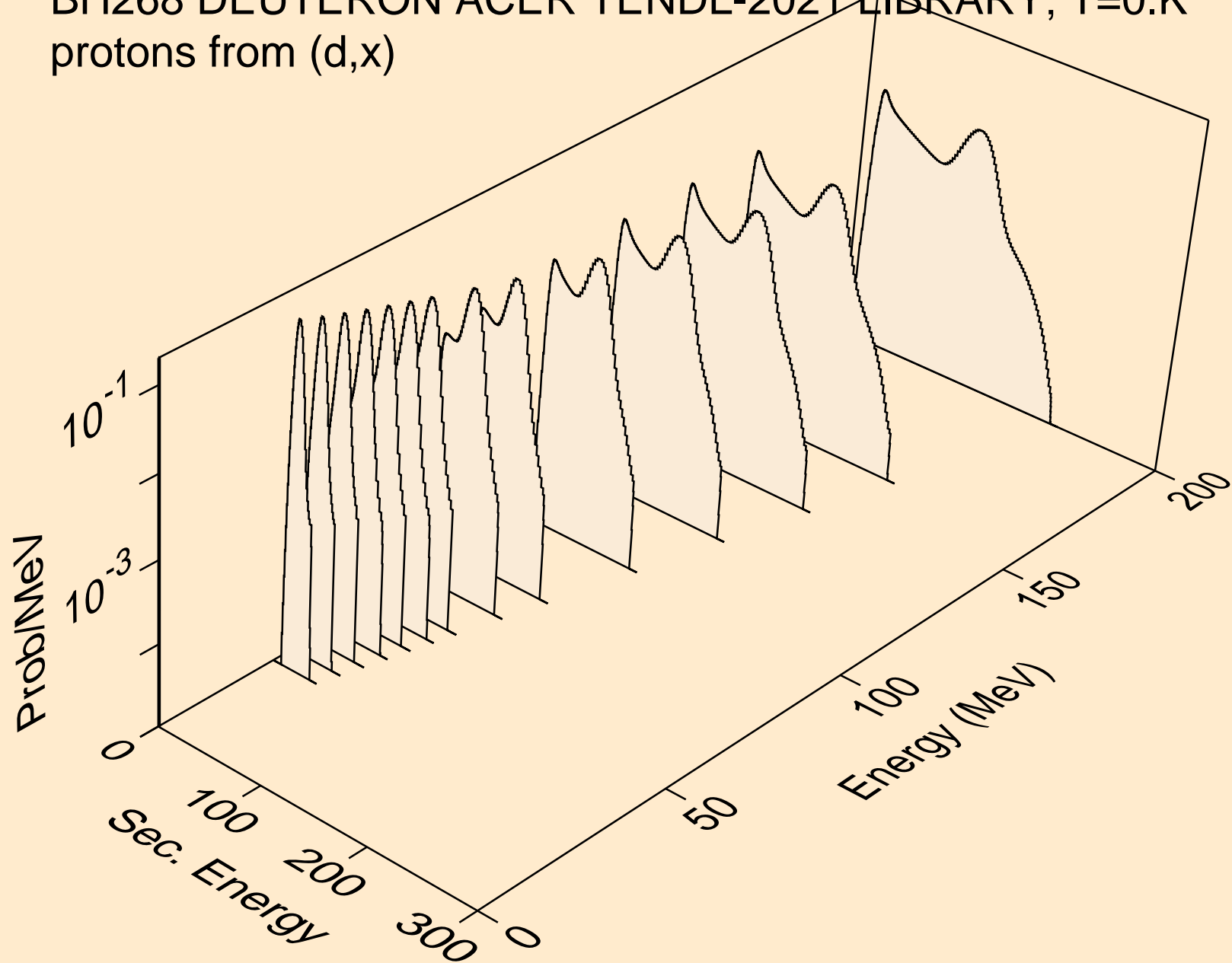
BH268 DEUTERON ACER TENDL-2021 LIBRARY; T=0.K
neutrons from (d,2np)



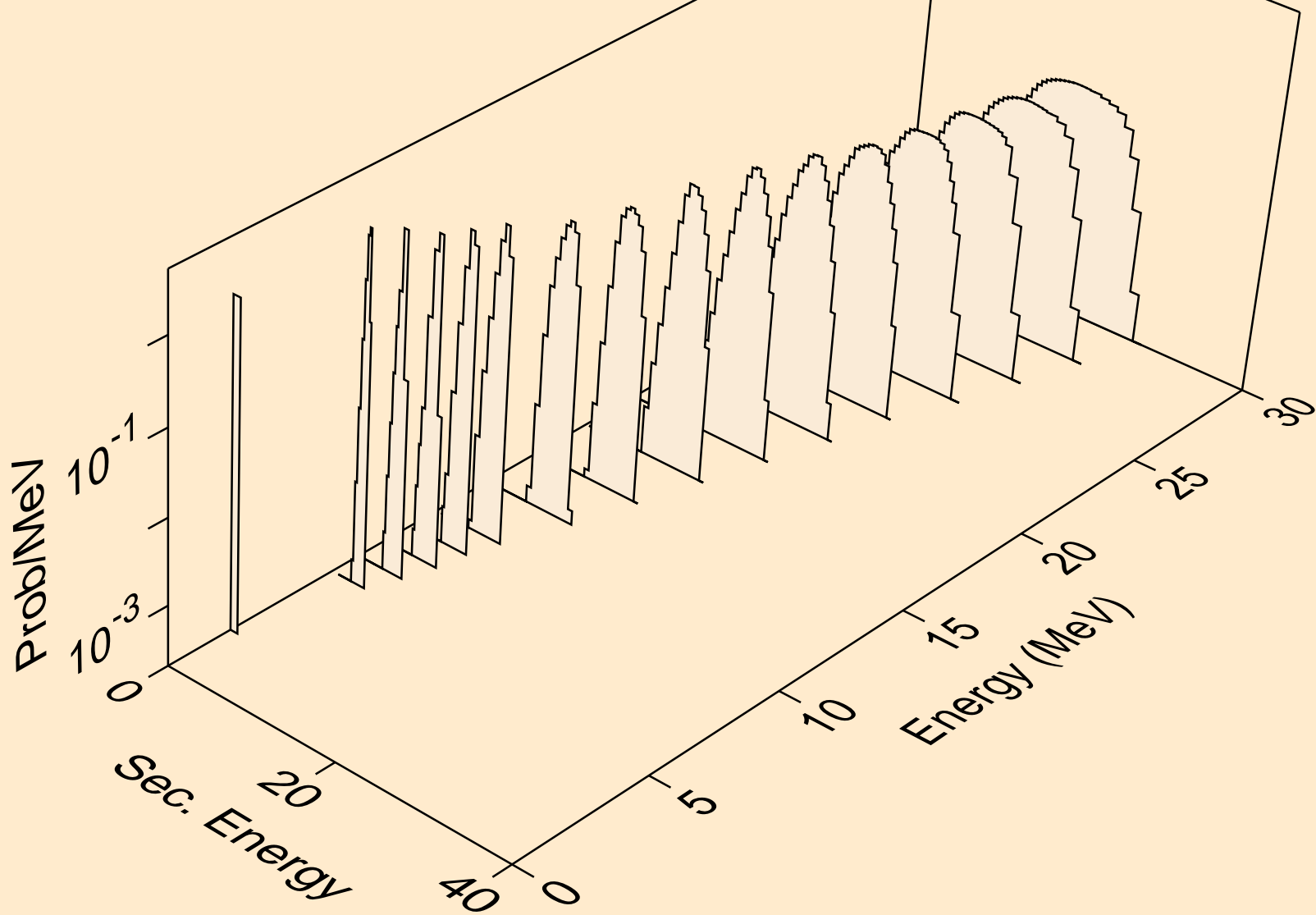
BH268 DEUTERON ACER TENDL-2021 LIBRARY; T=0.K
neutrons from (d,npa)



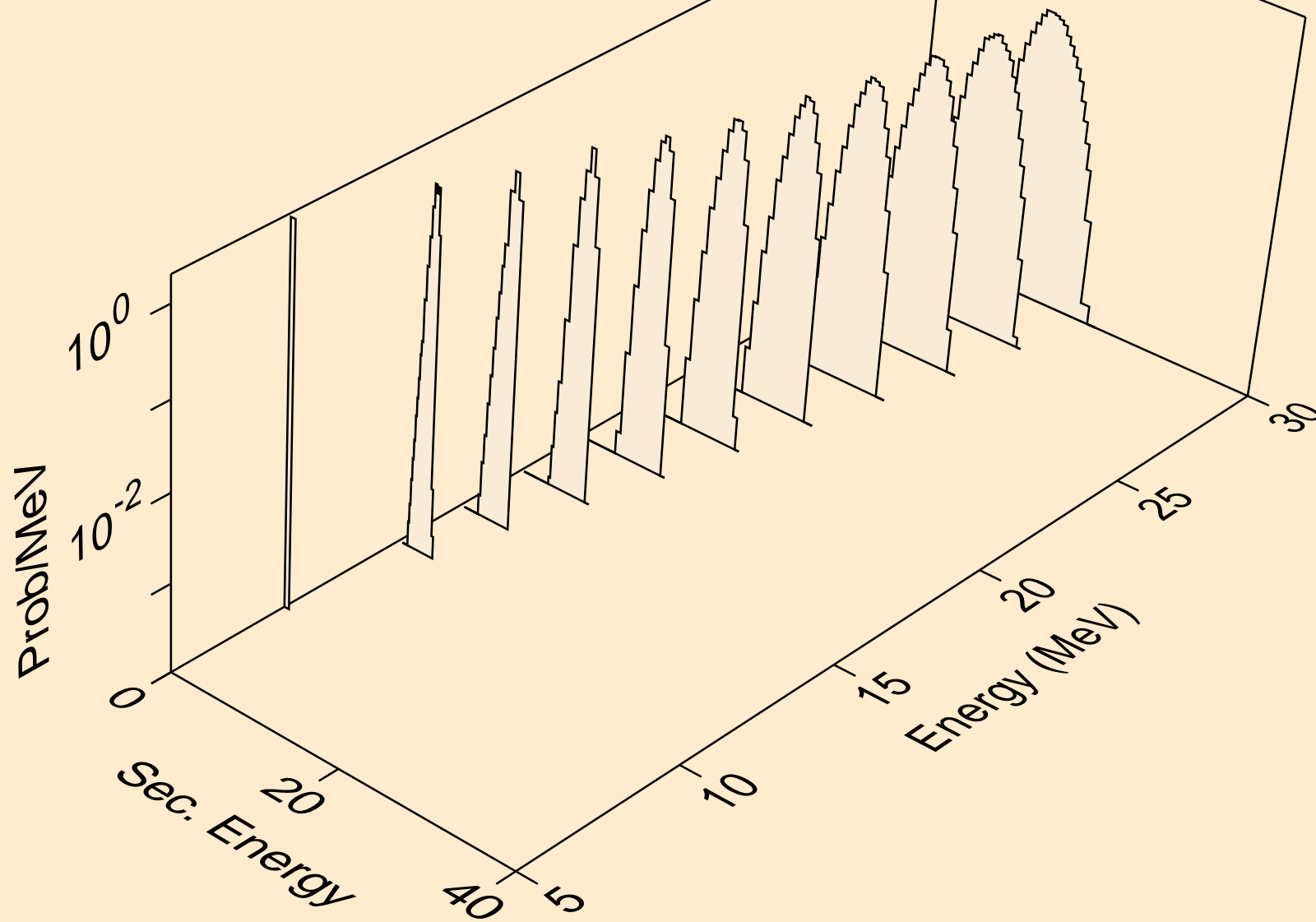
BH268 DEUTERON ACER TENDL-2021 LIBRARY; T=0.K
protons from (d,x)



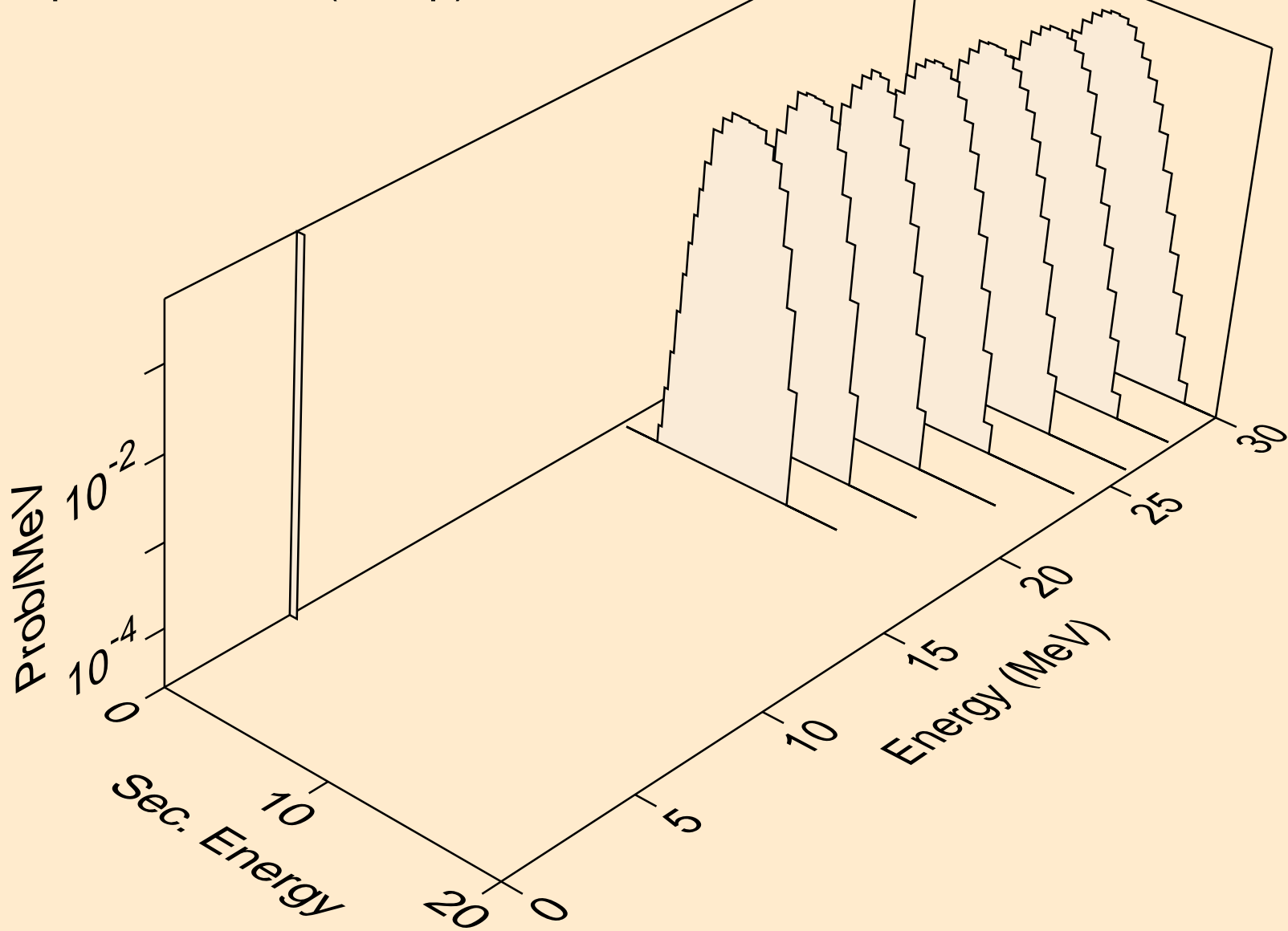
BH268 DEUTERON ACER TENDL-2021 LIBRARY; T=0.K
protons from (d,n*)p



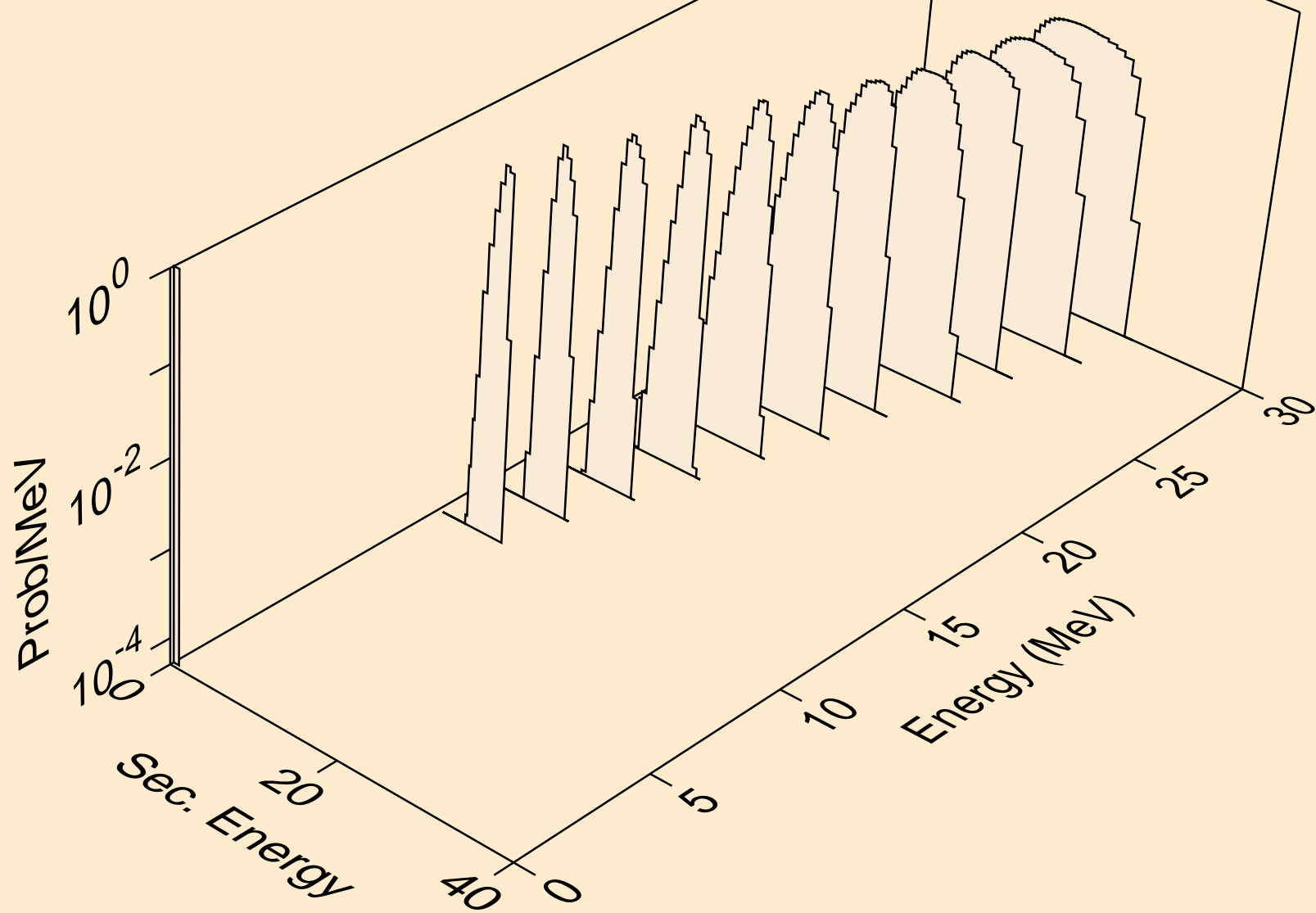
BH268 DEUTERON ACER TENDL-2021 LIBRARY; T=0.K
protons from (d,2np)



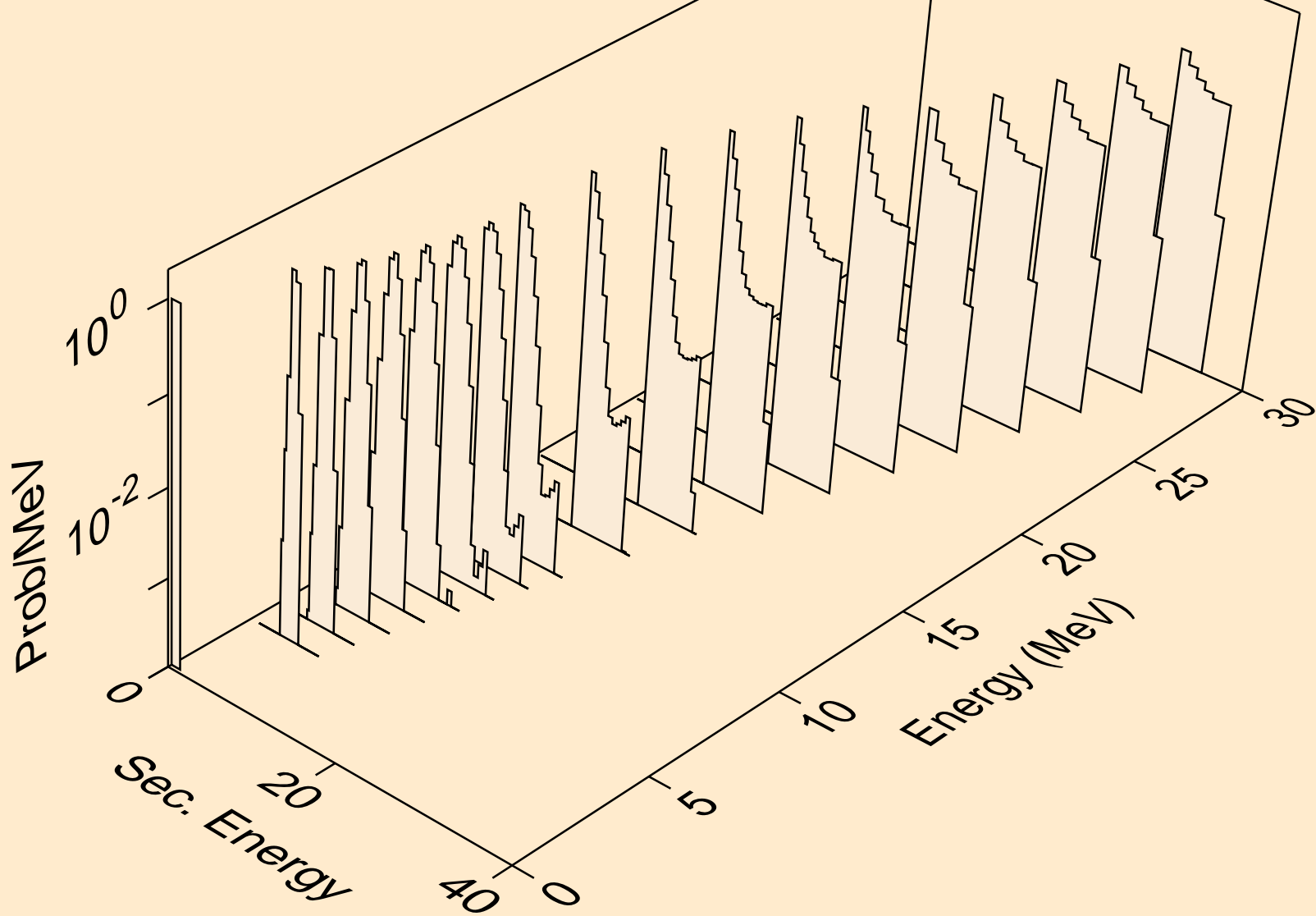
BH268 DEUTERON ACER TENDL-2021 LIBRARY; T=0.K
protons from (d,2np)



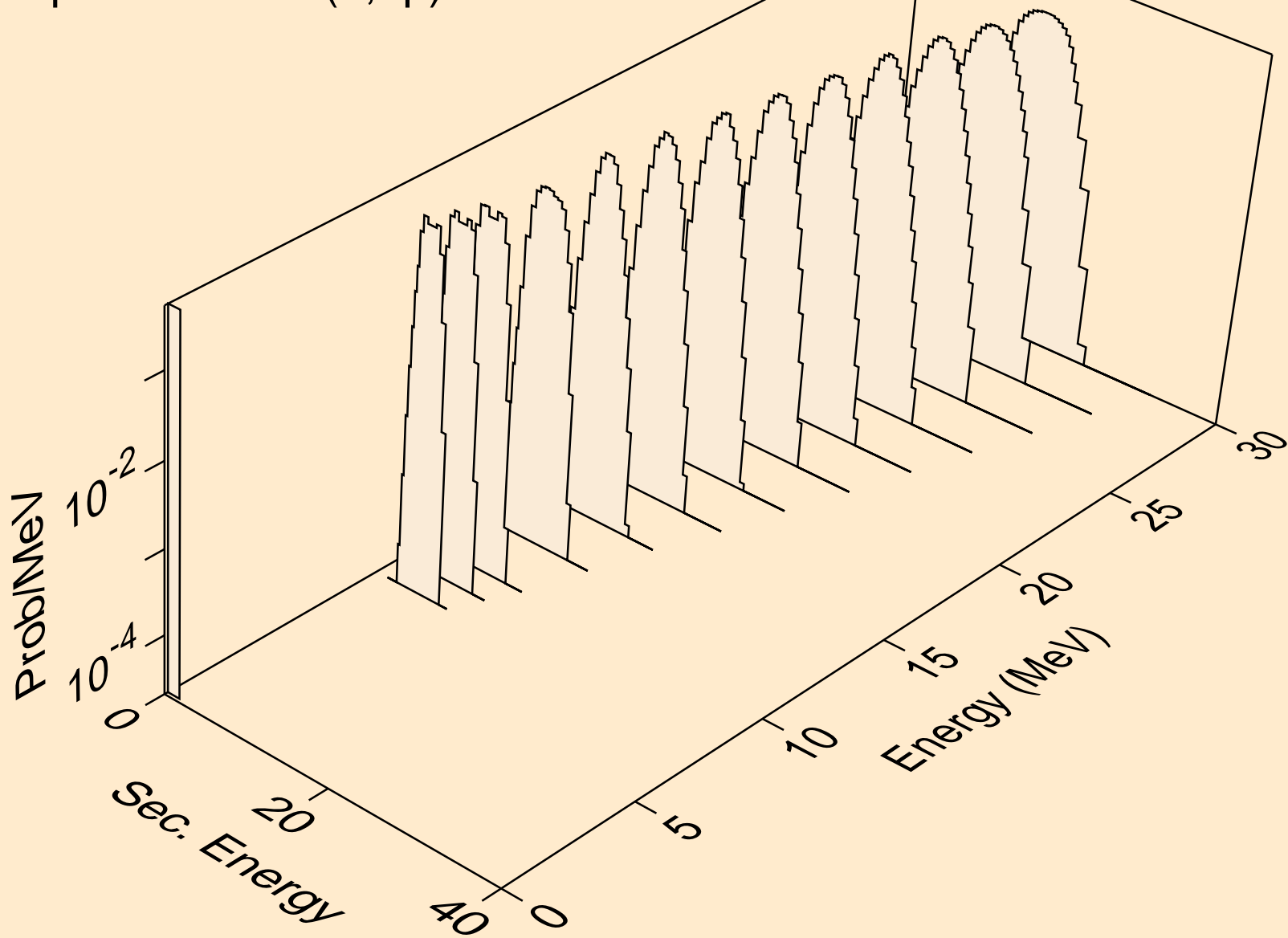
BH268 DEUTERON ACER TENDL-2021 LIBRARY; T=0.K
protons from (d,npa)



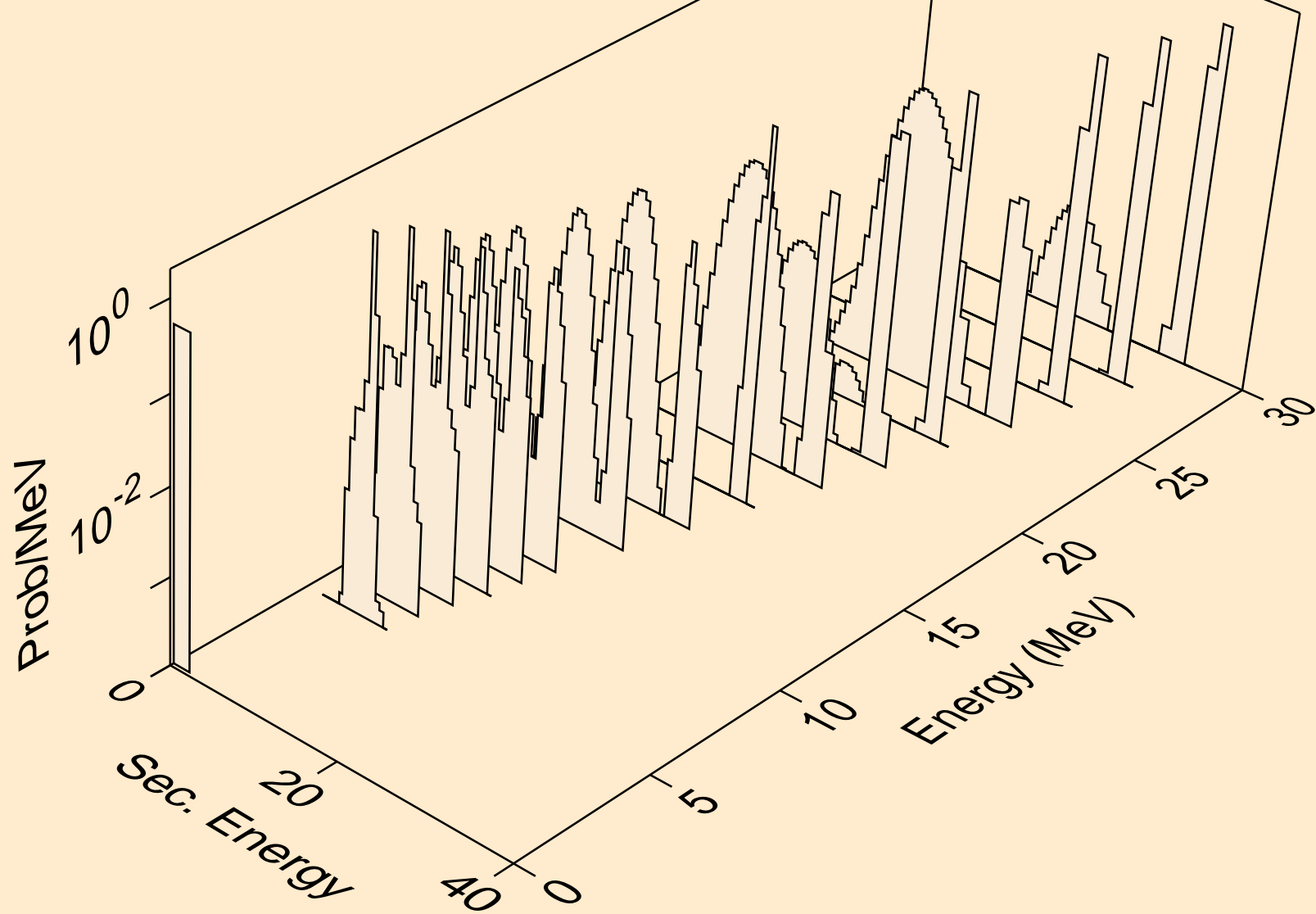
BH268 DEUTERON ACER TENDL-2021 LIBRARY; T=0.K
protons from (d,p)



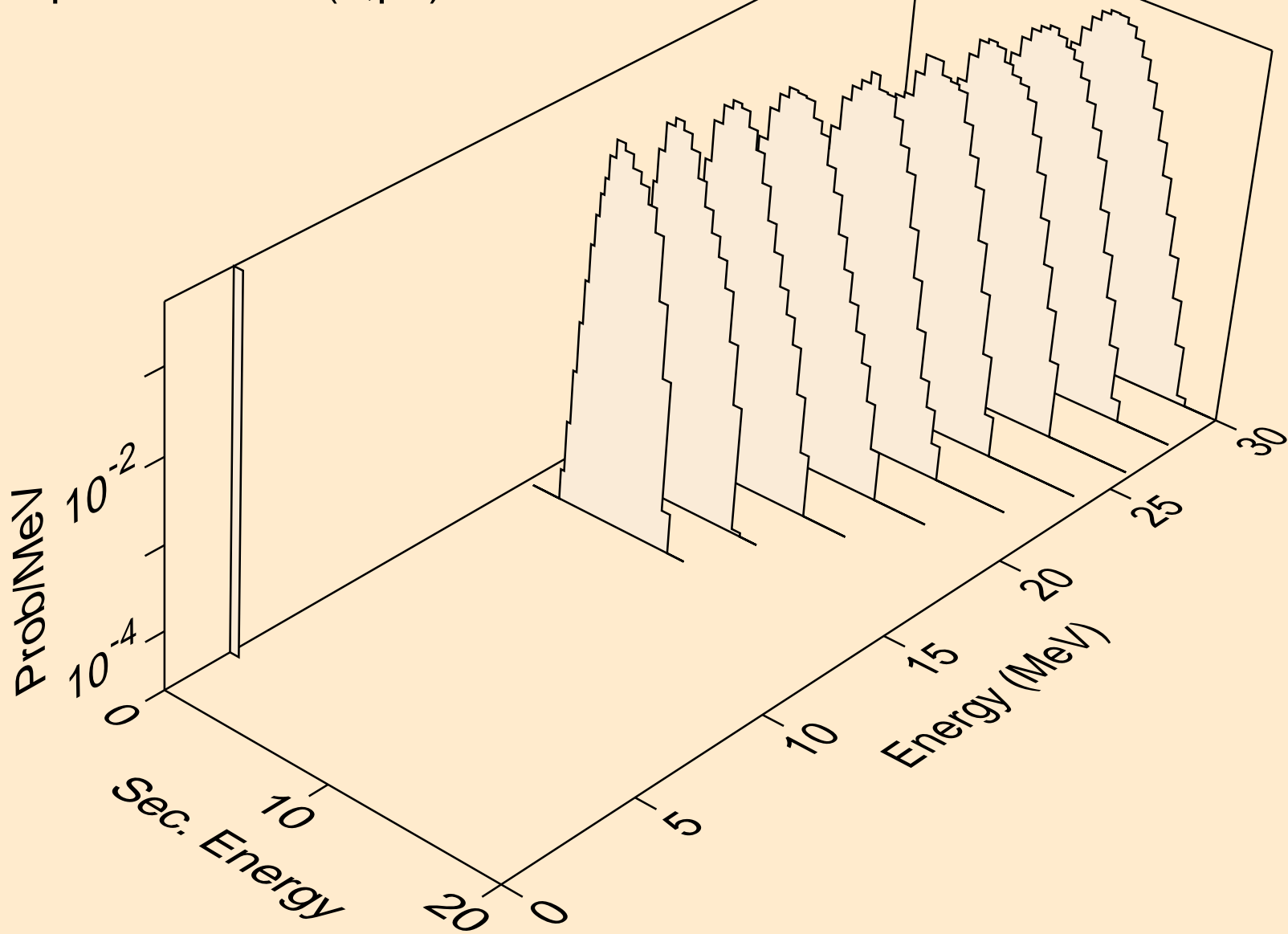
BH268 DEUTERON ACER TENDL-2021 LIBRARY; T=0.K
protons from (d,2p)



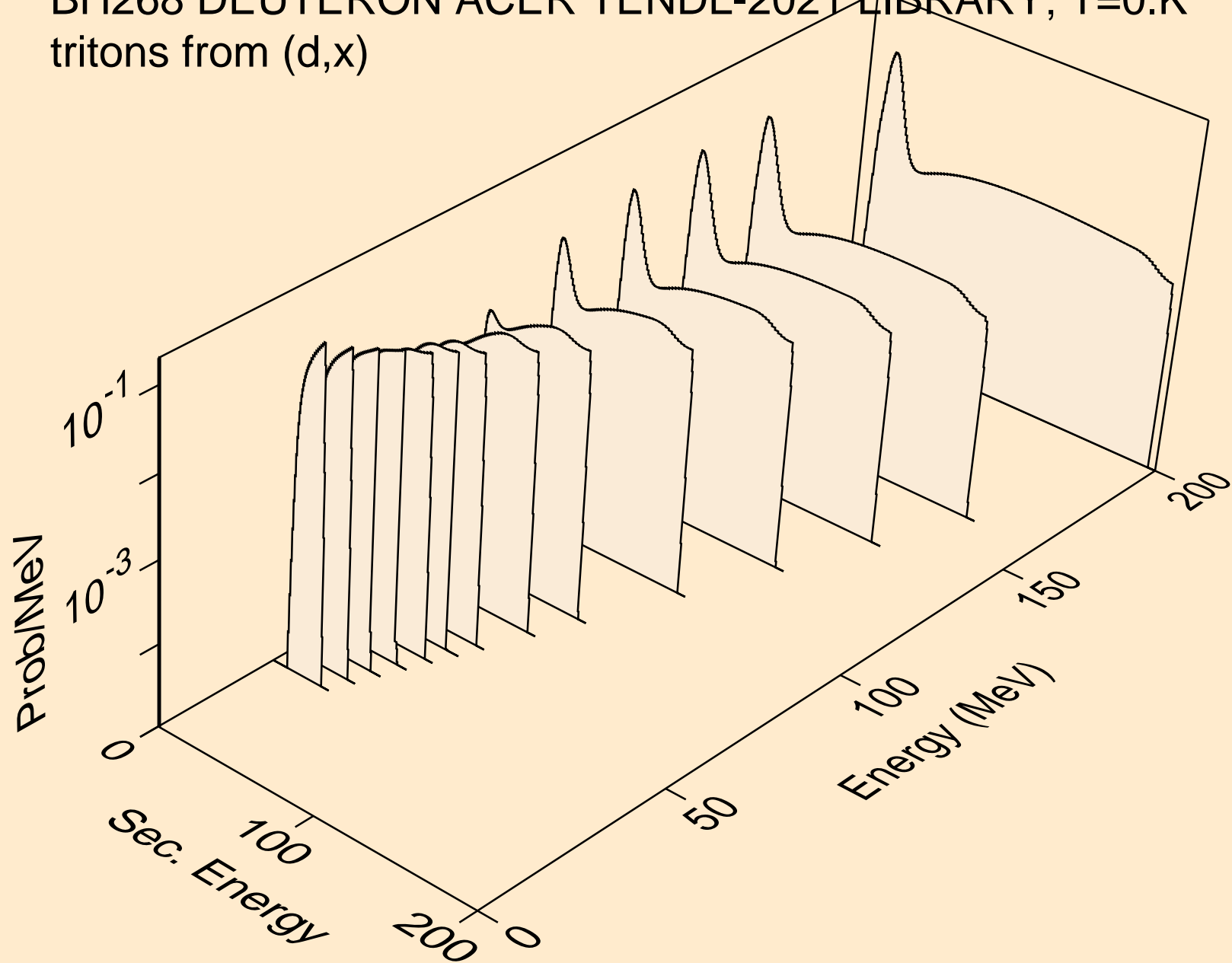
BH268 DEUTERON ACER TENDL-2021 LIBRARY; T=0.K
protons from (d,pa)



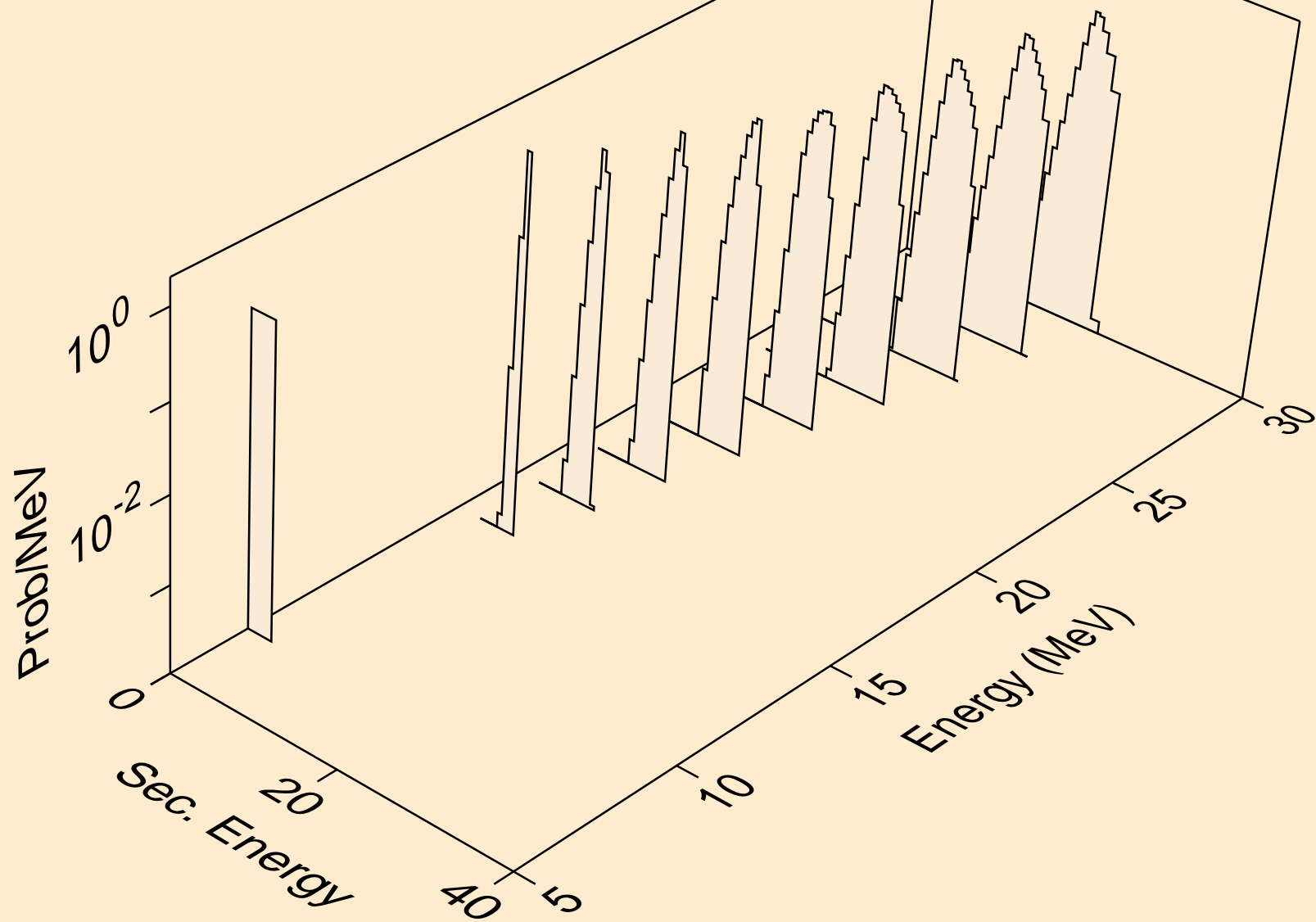
BH268 DEUTERON ACER TENDL-2021 LIBRARY; T=0.K
protons from (d,pd)



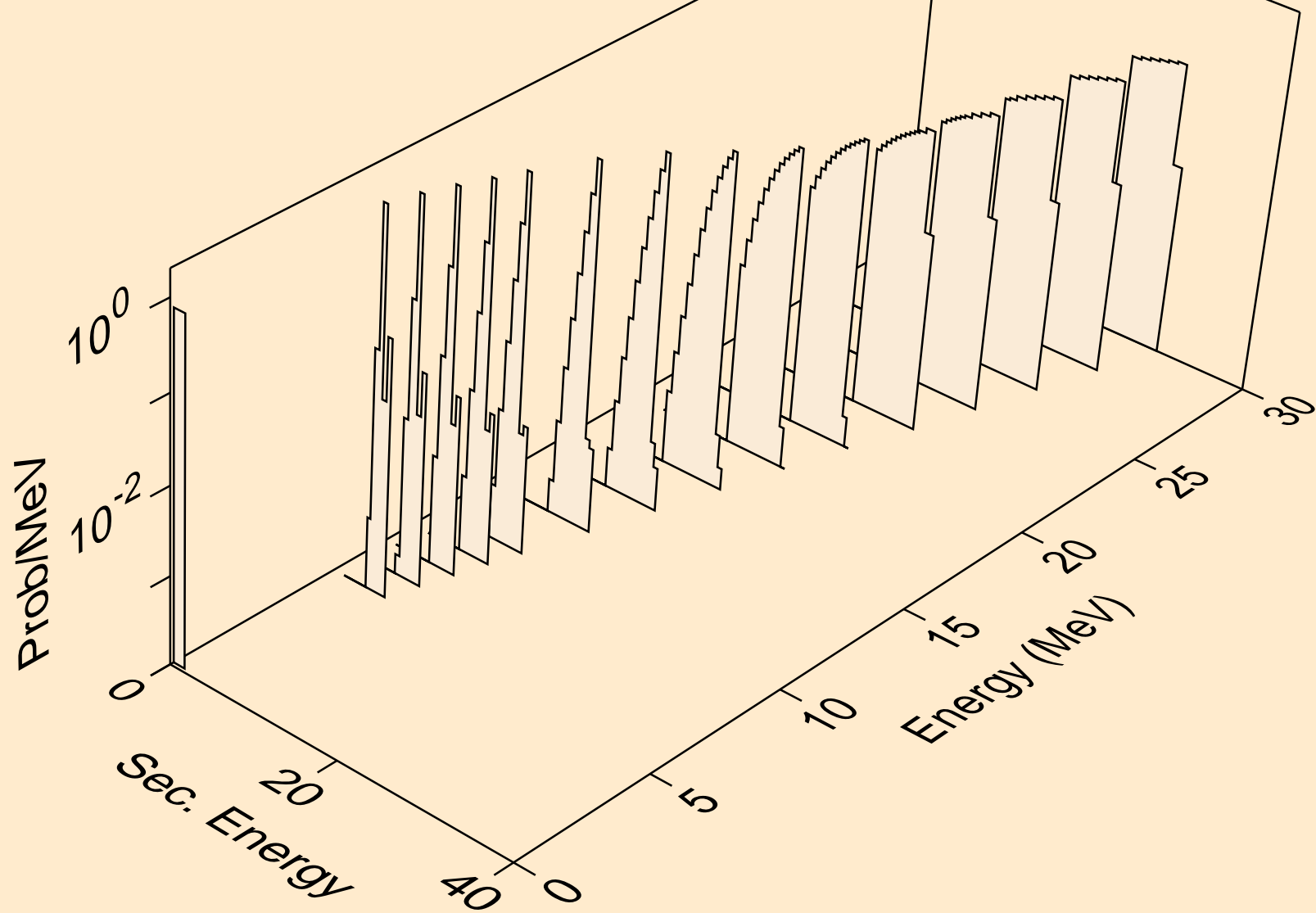
BH268 DEUTERON ACER TENDL-2021 LIBRARY; T=0.K
tritons from (d,x)



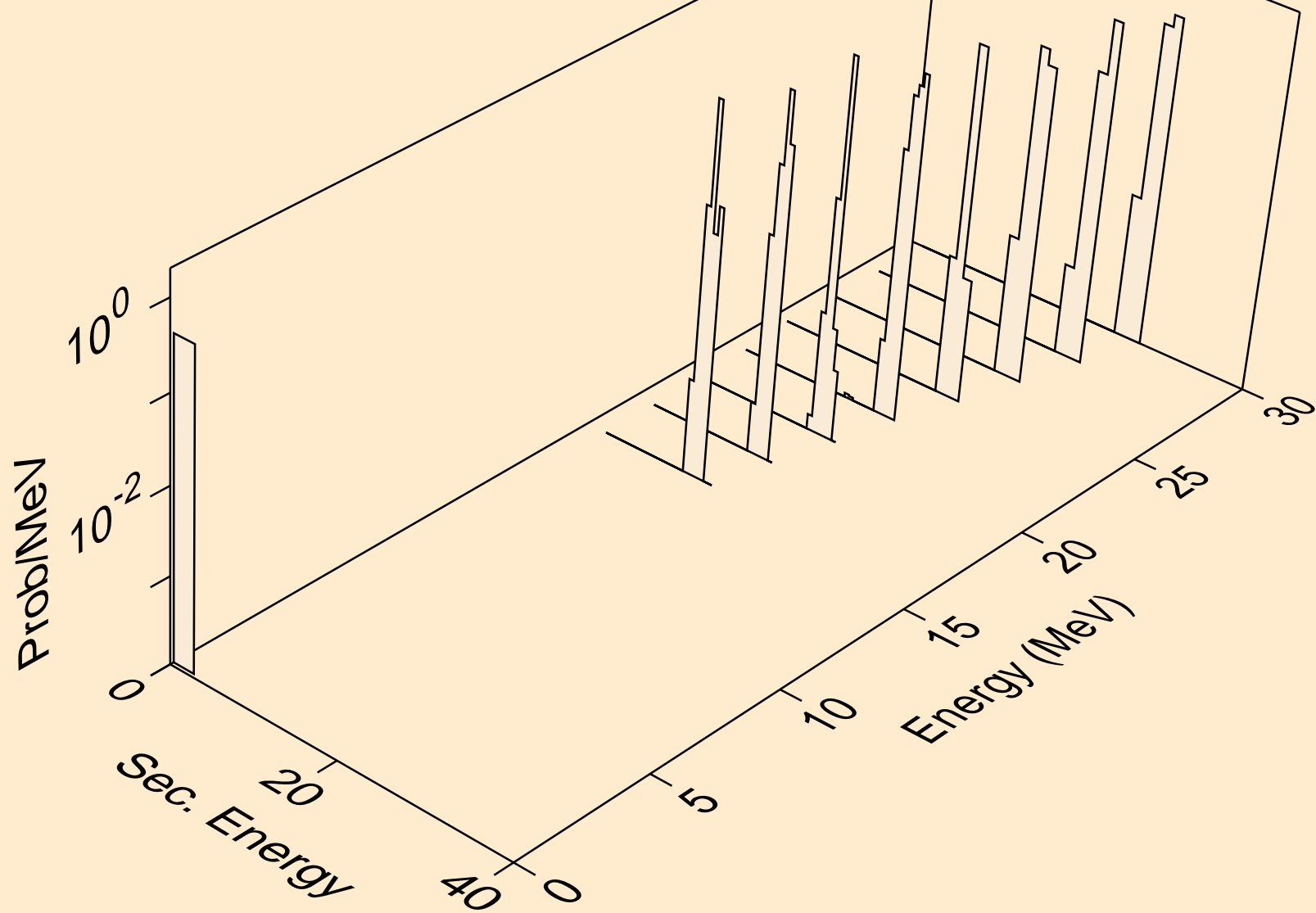
BH268 DEUTERON ACER TENDL-2021 LIBRARY; T=0.K
tritons from (d,n*)t



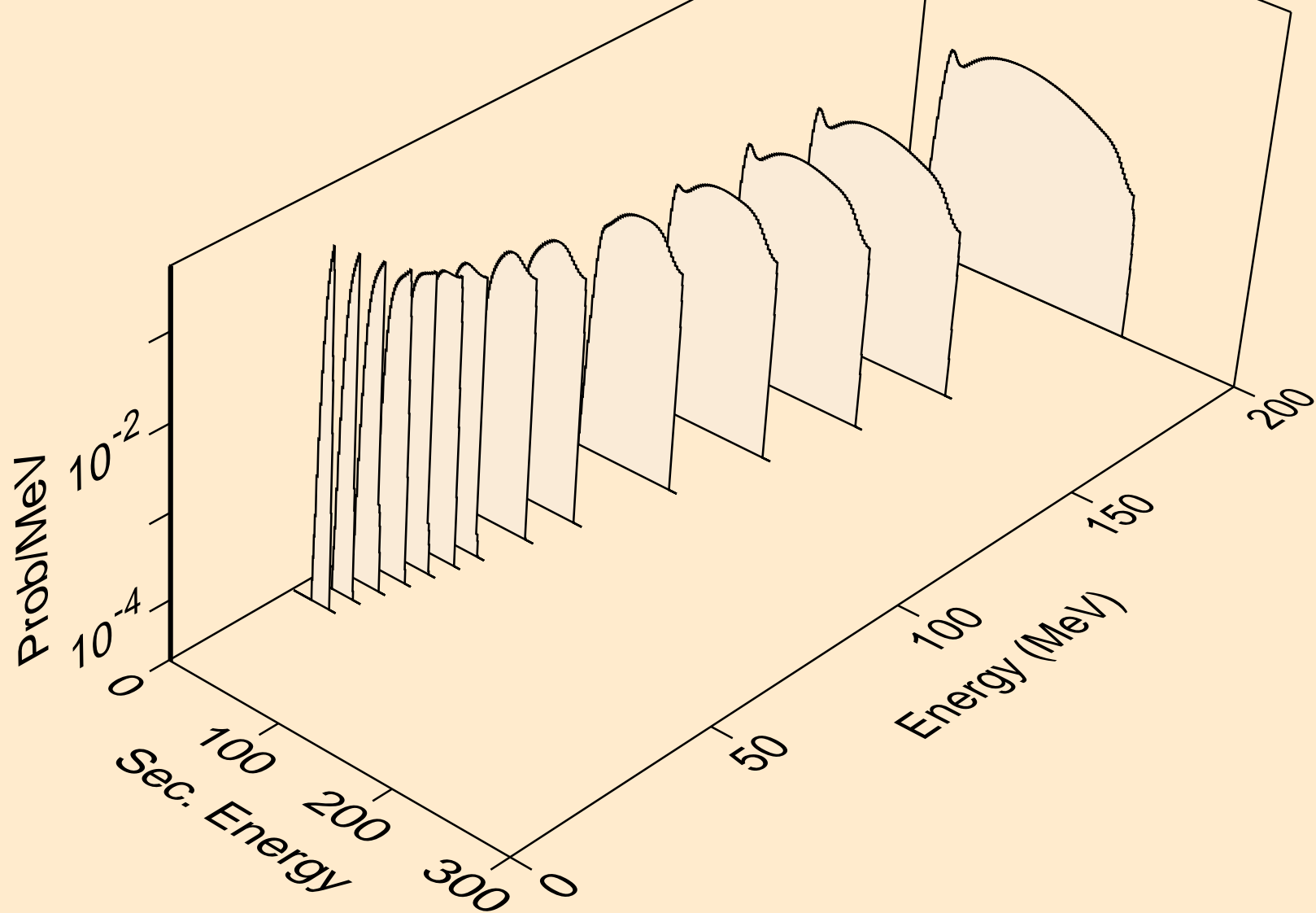
BH268 DEUTERON ACER TENDL-2021 LIBRARY; T=0.K
tritons from (d,t)



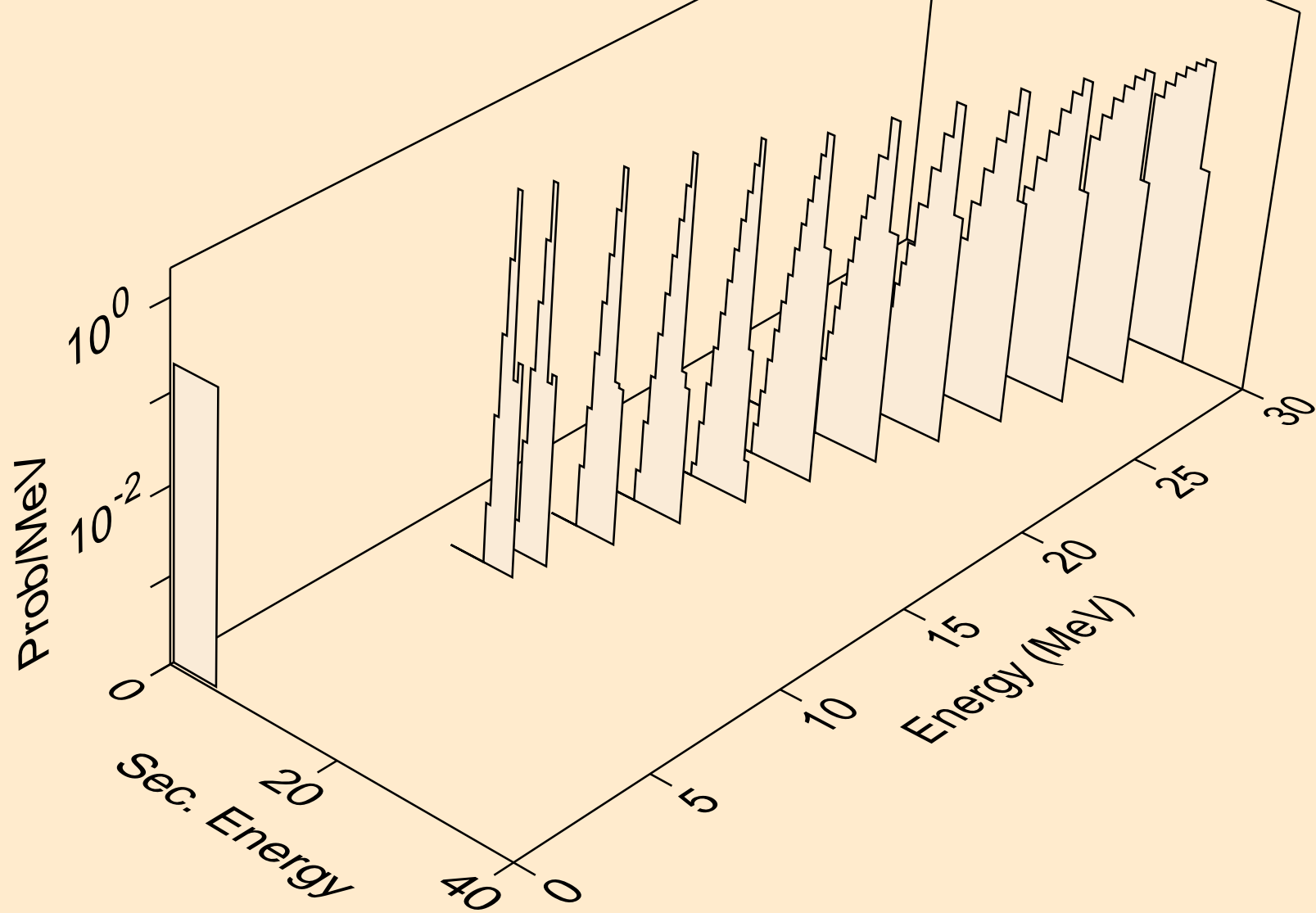
BH268 DEUTERON ACER TENDL-2021 LIBRARY; T=0.K
tritons from (d,t2a)



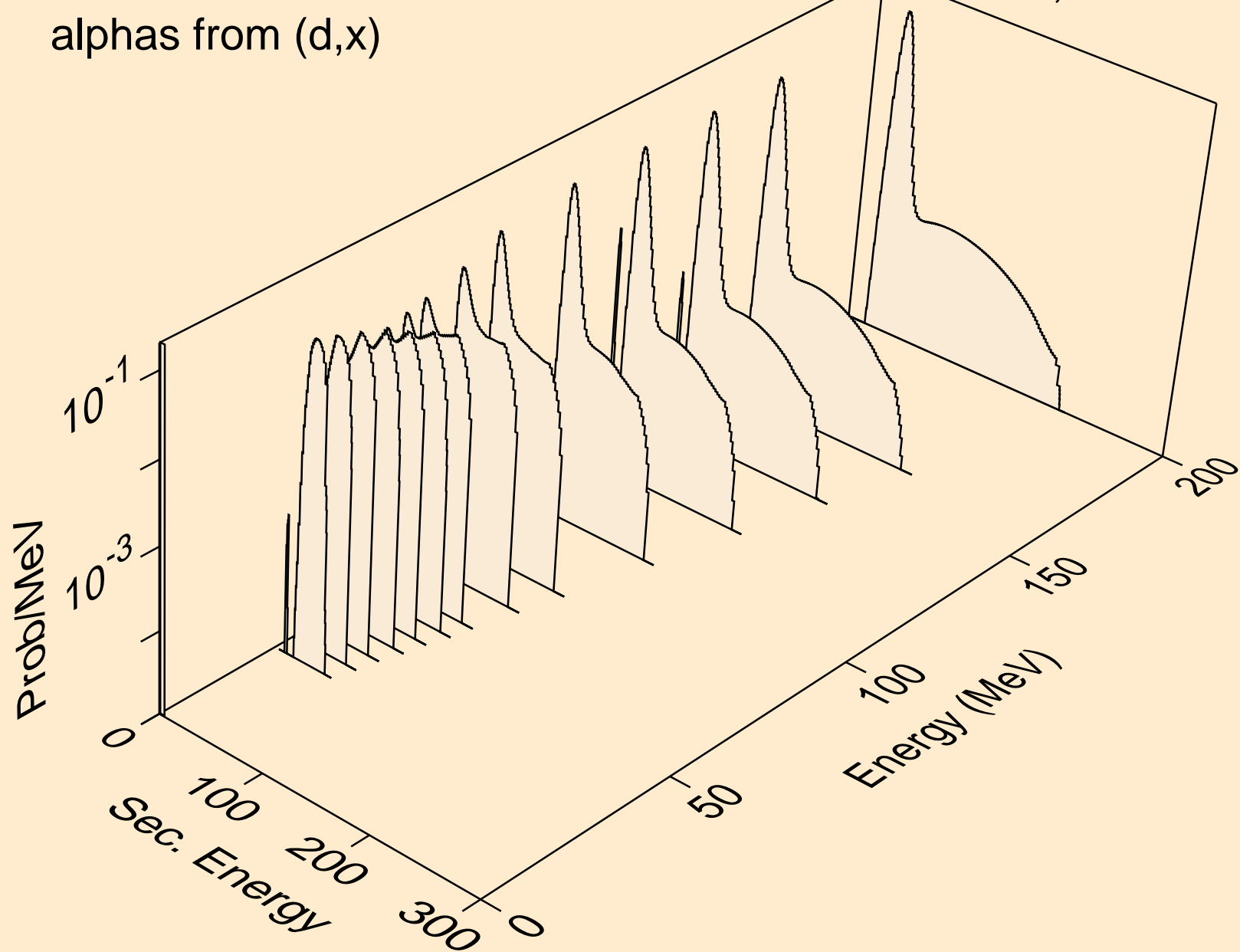
BH268 DEUTERON ACER TENDL-2021 LIBRARY; T=0.K
he3s from (d,x)



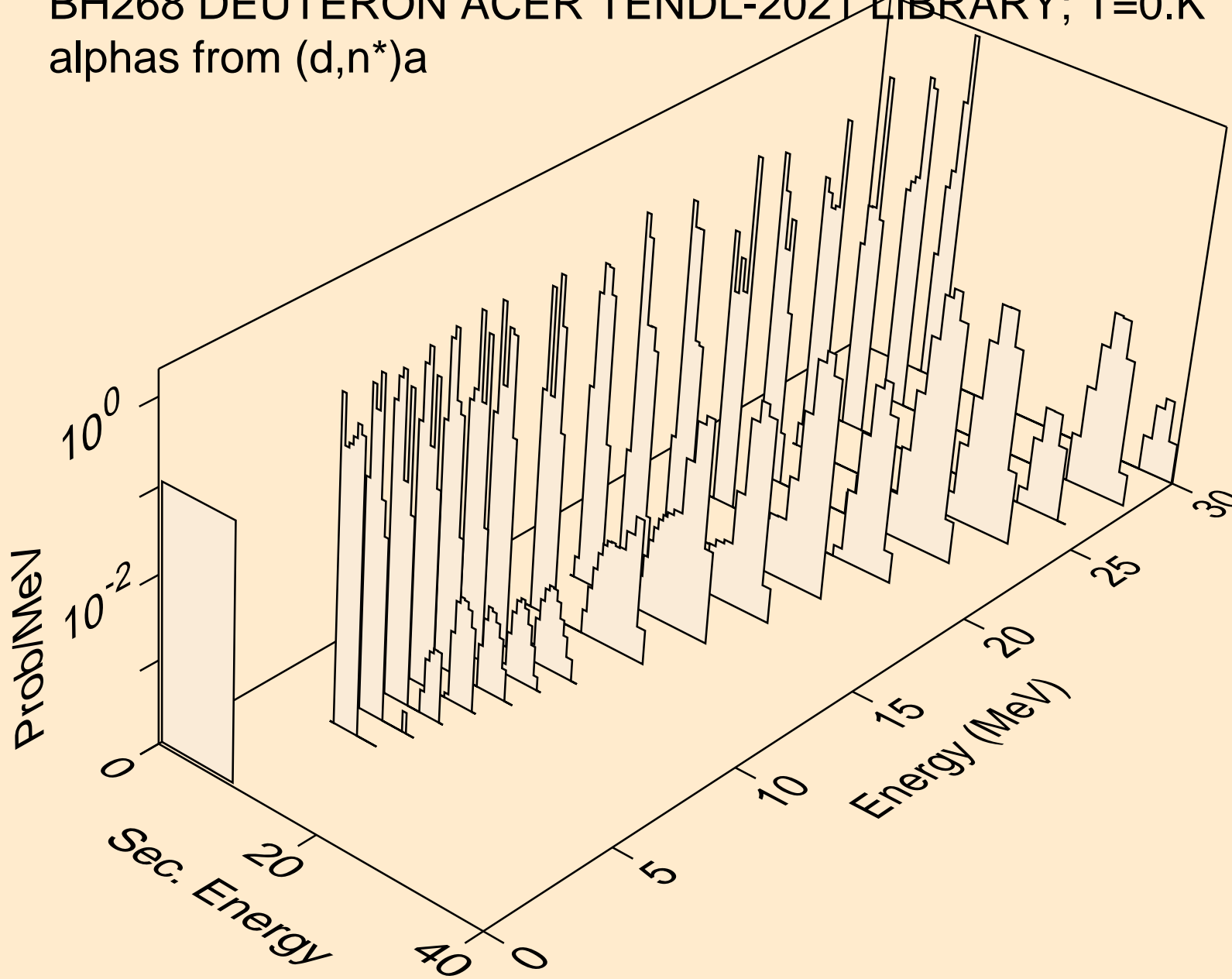
BH268 DEUTERON ACER TENDL-2021 LIBRARY; T=0.K
he3s from (d,he3)



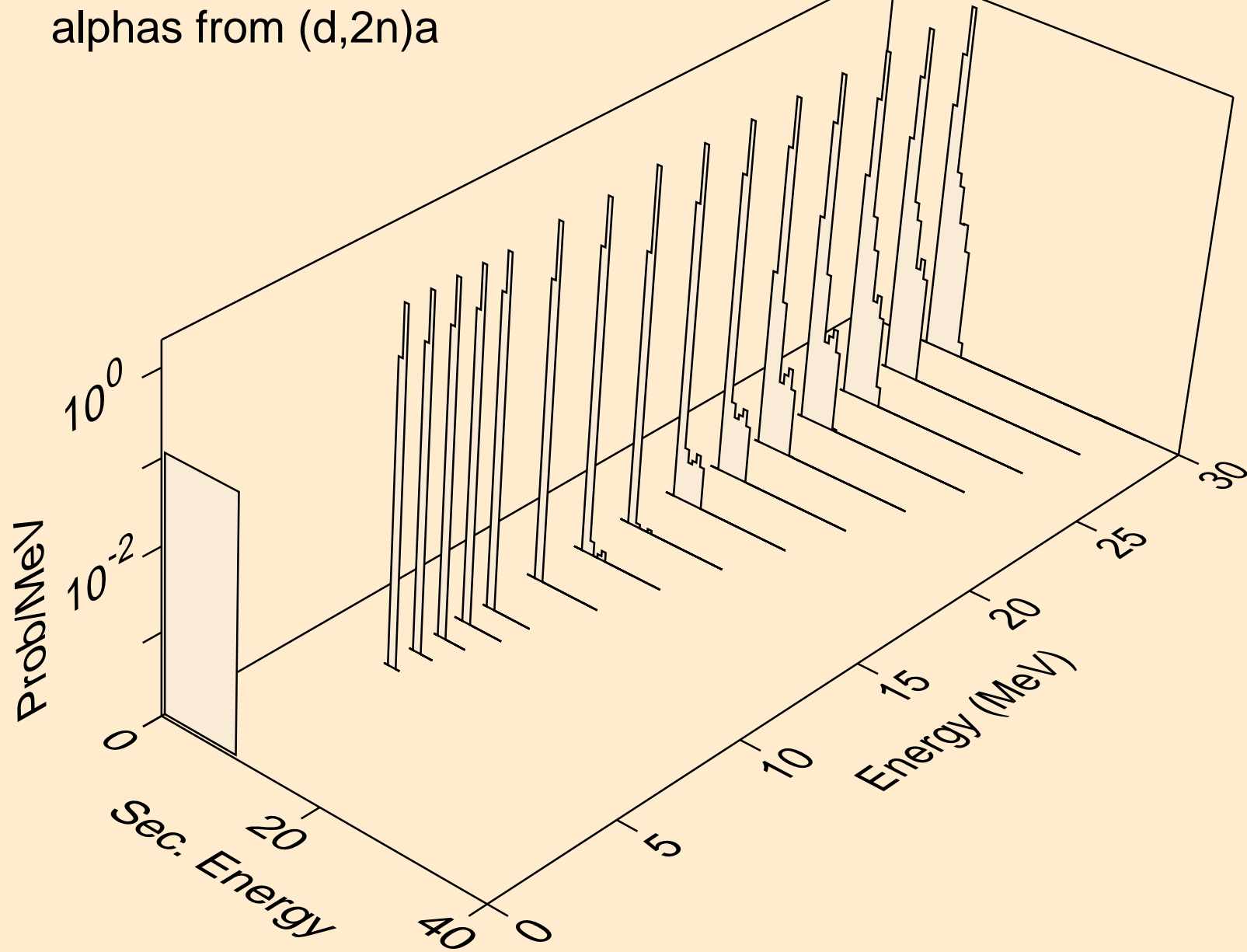
BH268 DEUTERON ACER TENDL-2021 LIBRARY; T=0.K
alphas from (d,x)



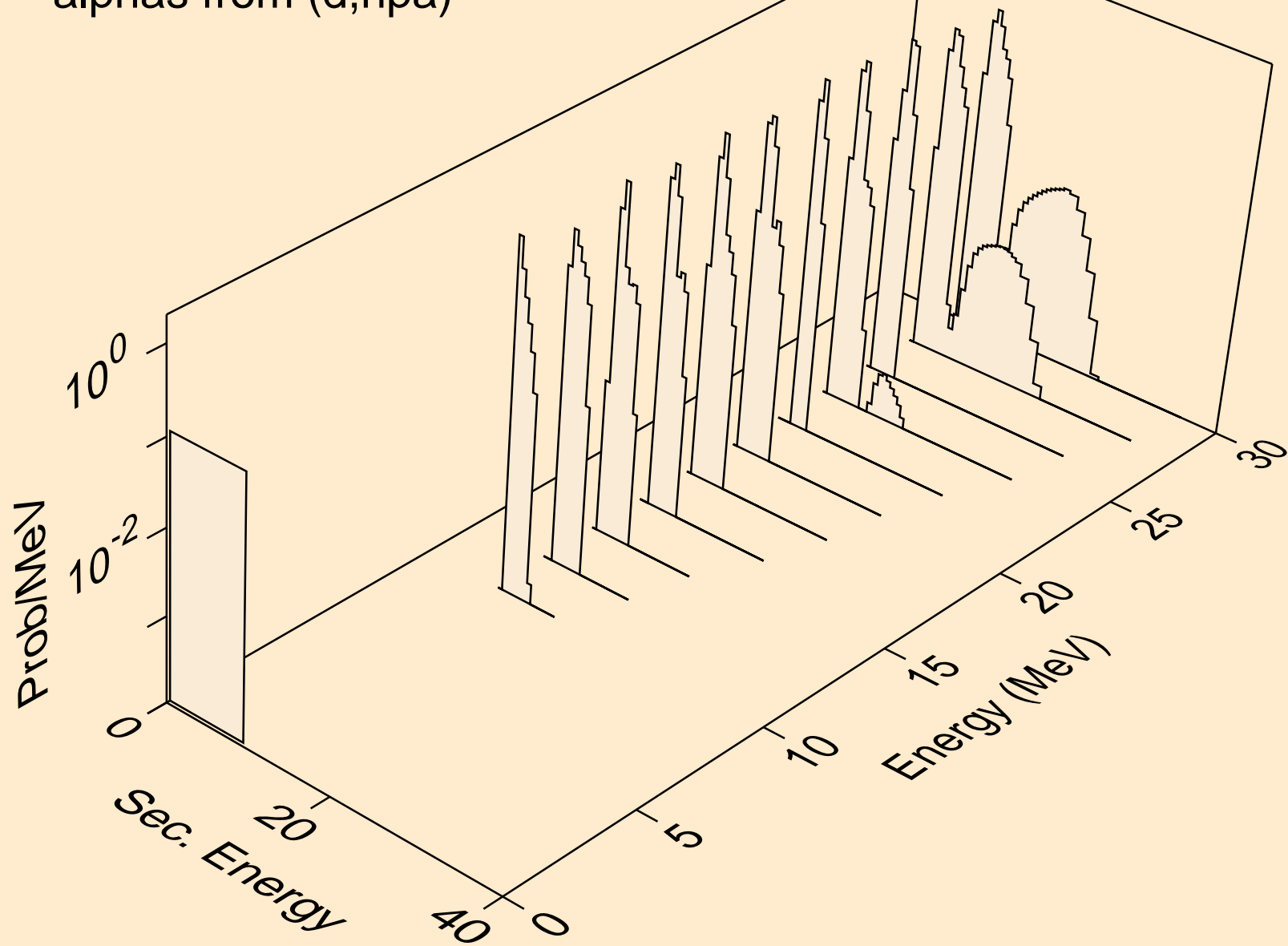
BH268 DEUTERON ACER TENDL-2021 LIBRARY; T=0.K
alphas from (d,n*)a



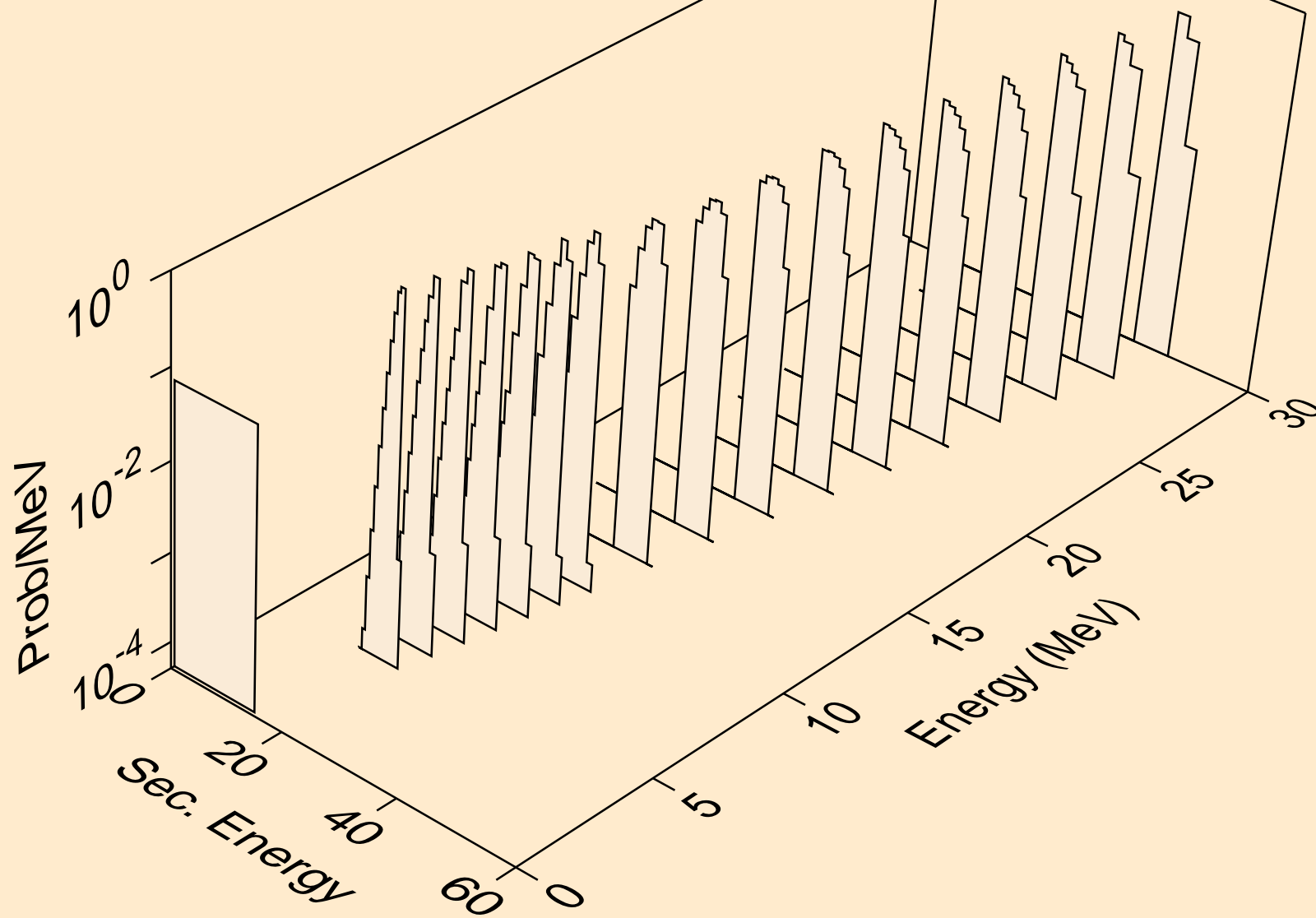
BH268 DEUTERON ACER TENDL-2021 LIBRARY; T=0.K
alphas from (d,2n)a



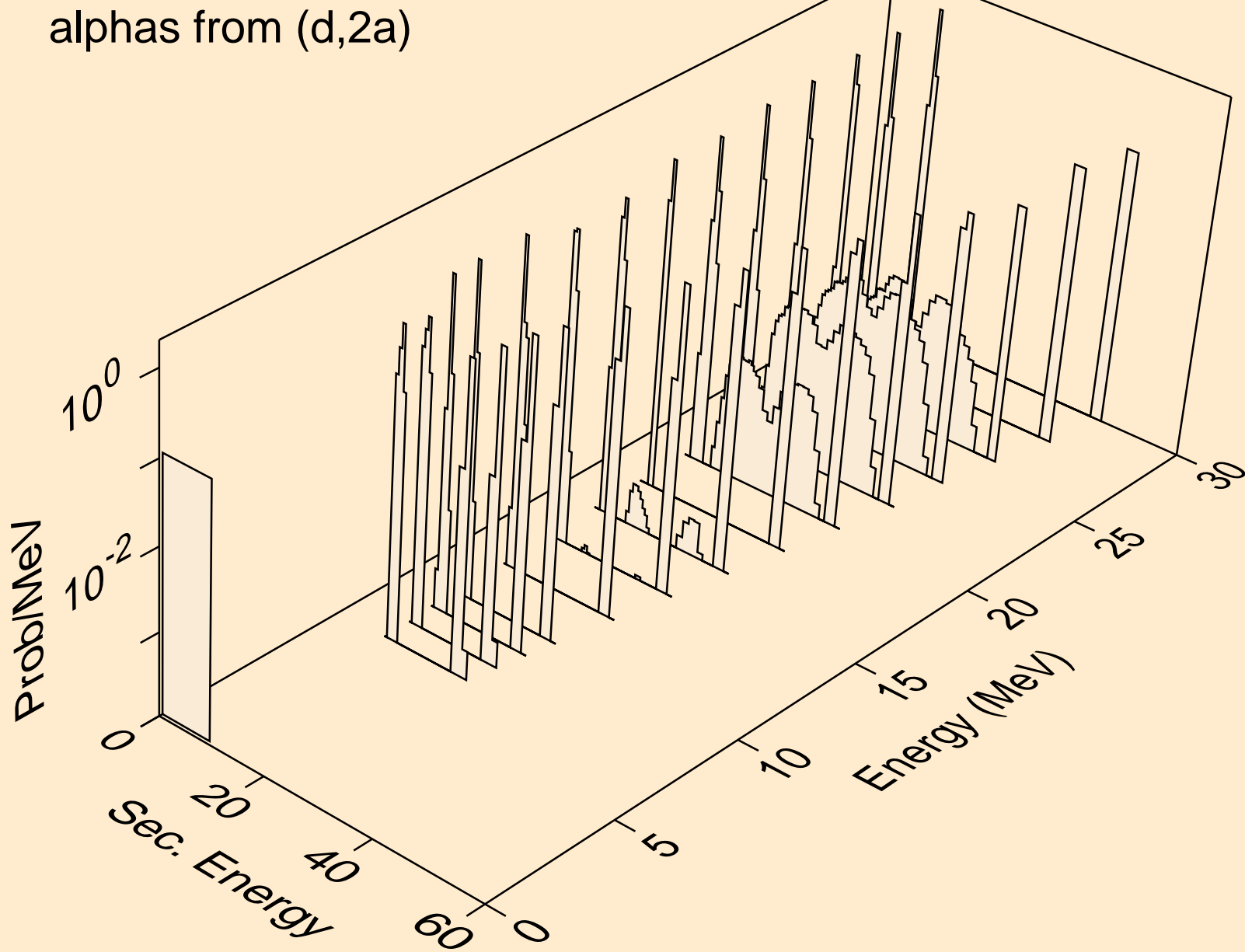
BH268 DEUTERON ACER TENDL-2021 LIBRARY; T=0.K
alphas from (d,npa)



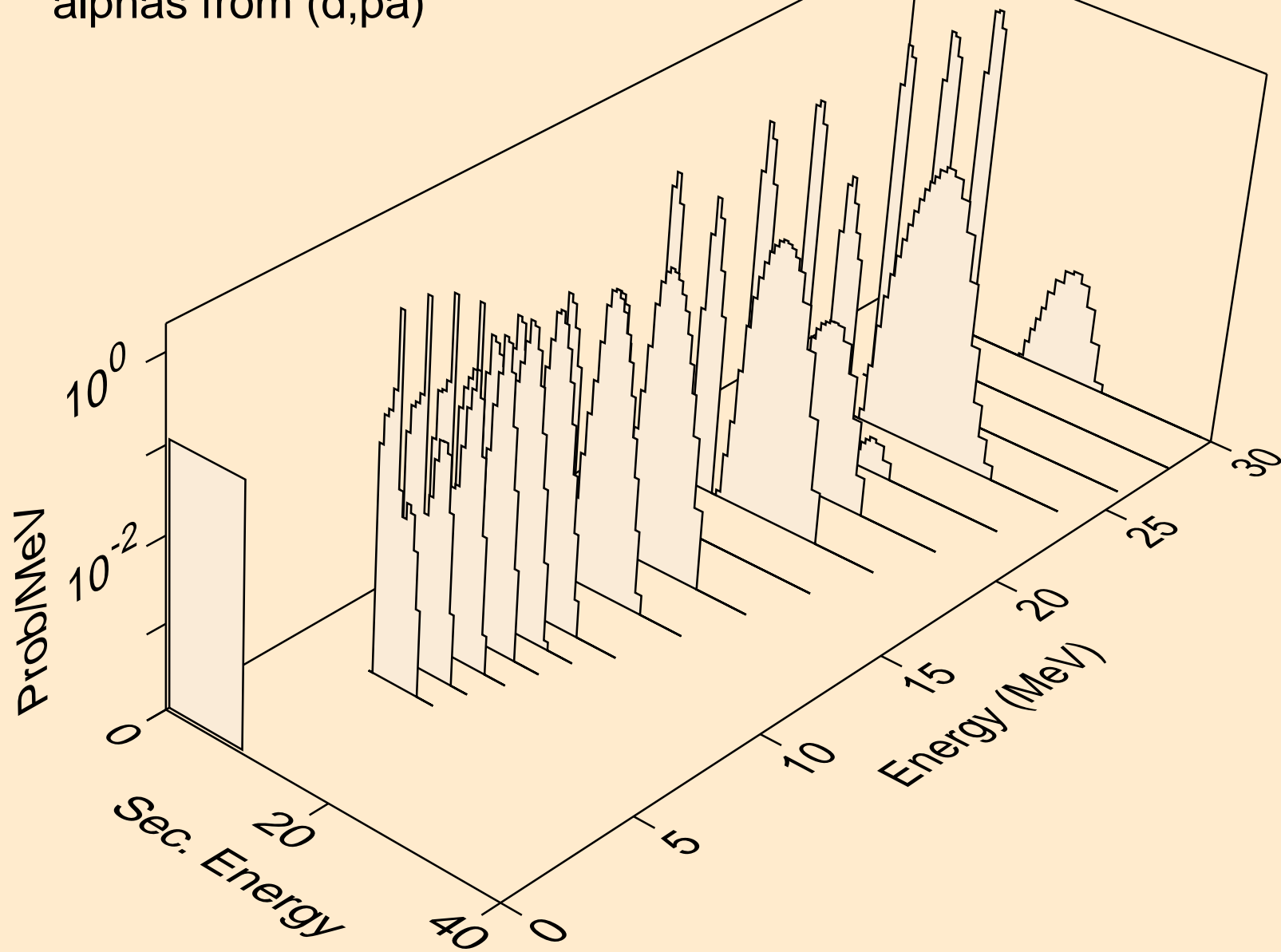
BH268 DEUTERON ACER TENDL-2021 LIBRARY; T=0.K
alphas from (d,a)



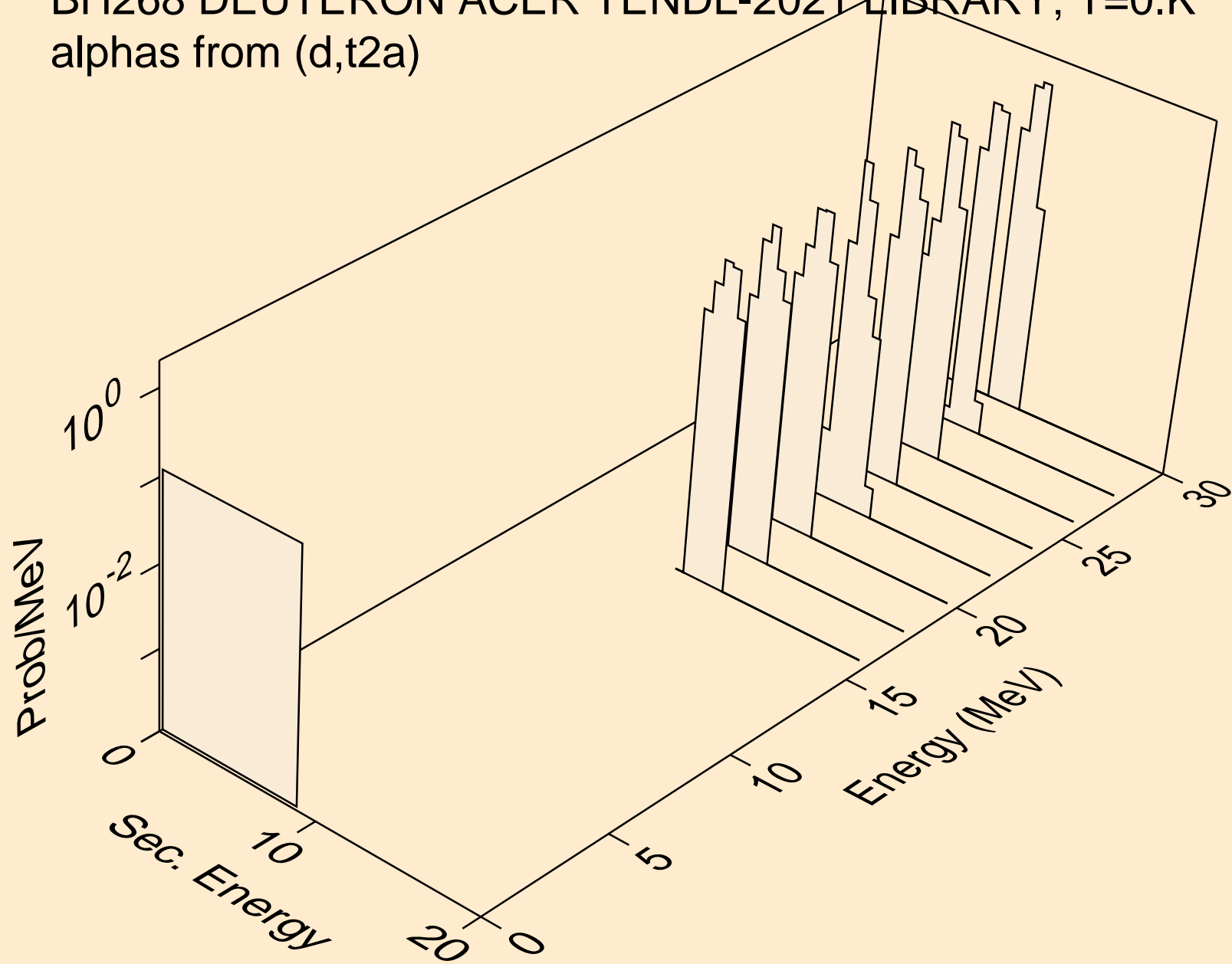
BH268 DEUTERON ACER TENDL-2021 LIBRARY; T=0.K
alphas from (d,2a)



BH268 DEUTERON ACER TENDL-2021 LIBRARY; T=0.K
alphas from (d,pa)



BH268 DEUTERON ACER TENDL-2021 LIBRARY; T=0.K
alphas from (d,t2a)



BH268 DEUTERON ACER TENDL-2021 LIBRARY; T=0.K
alphas from (d,da)

