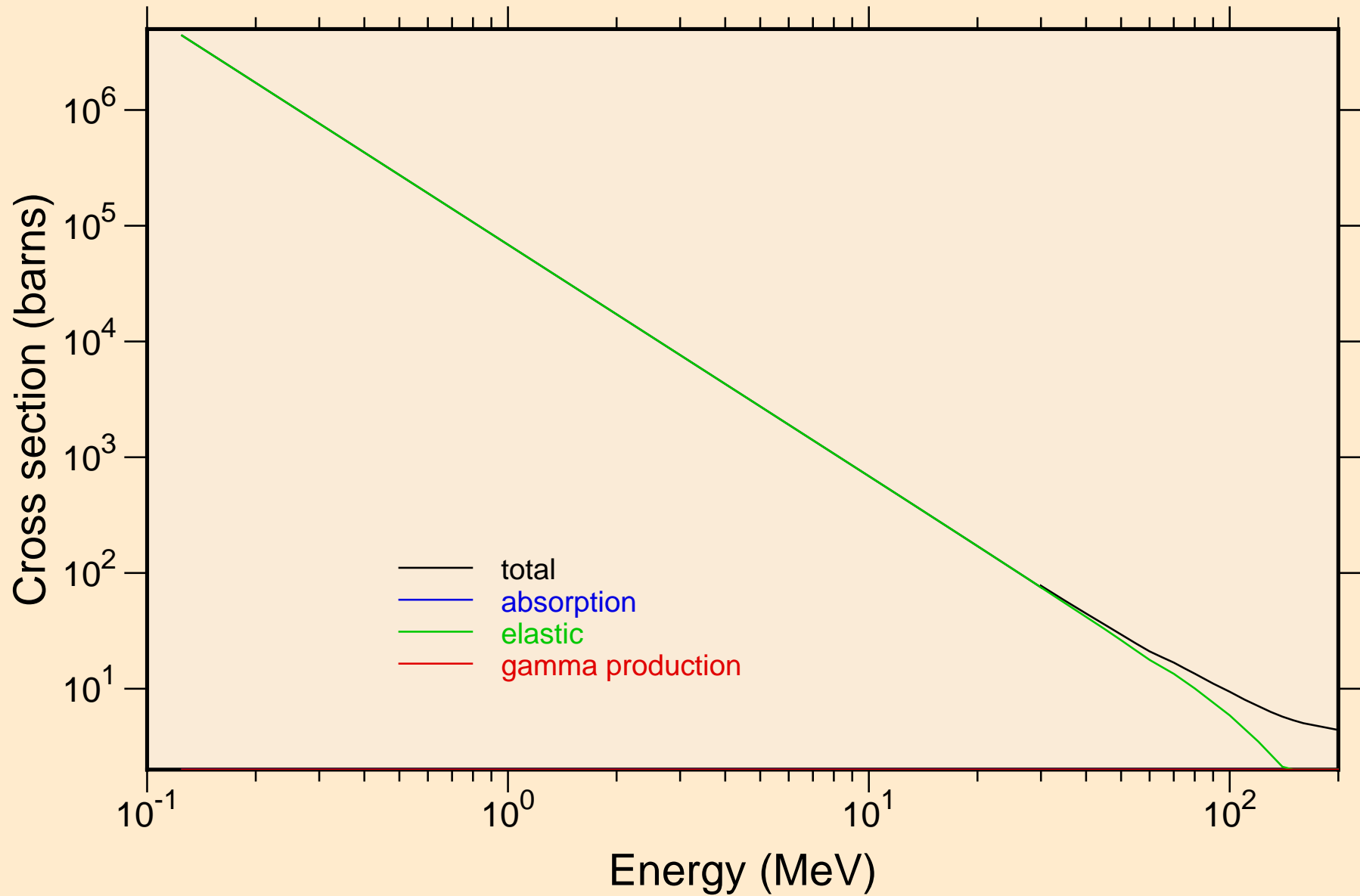
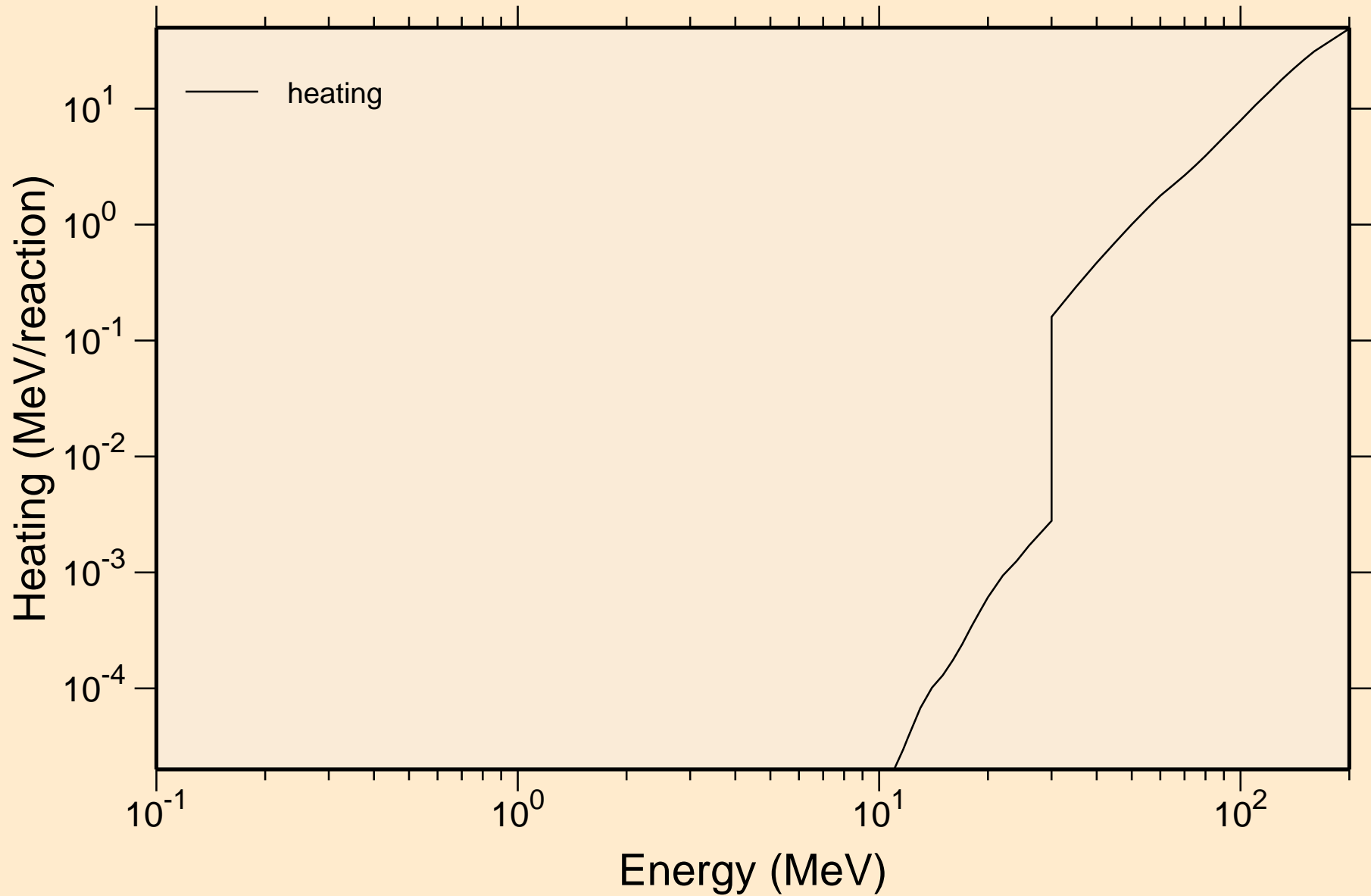


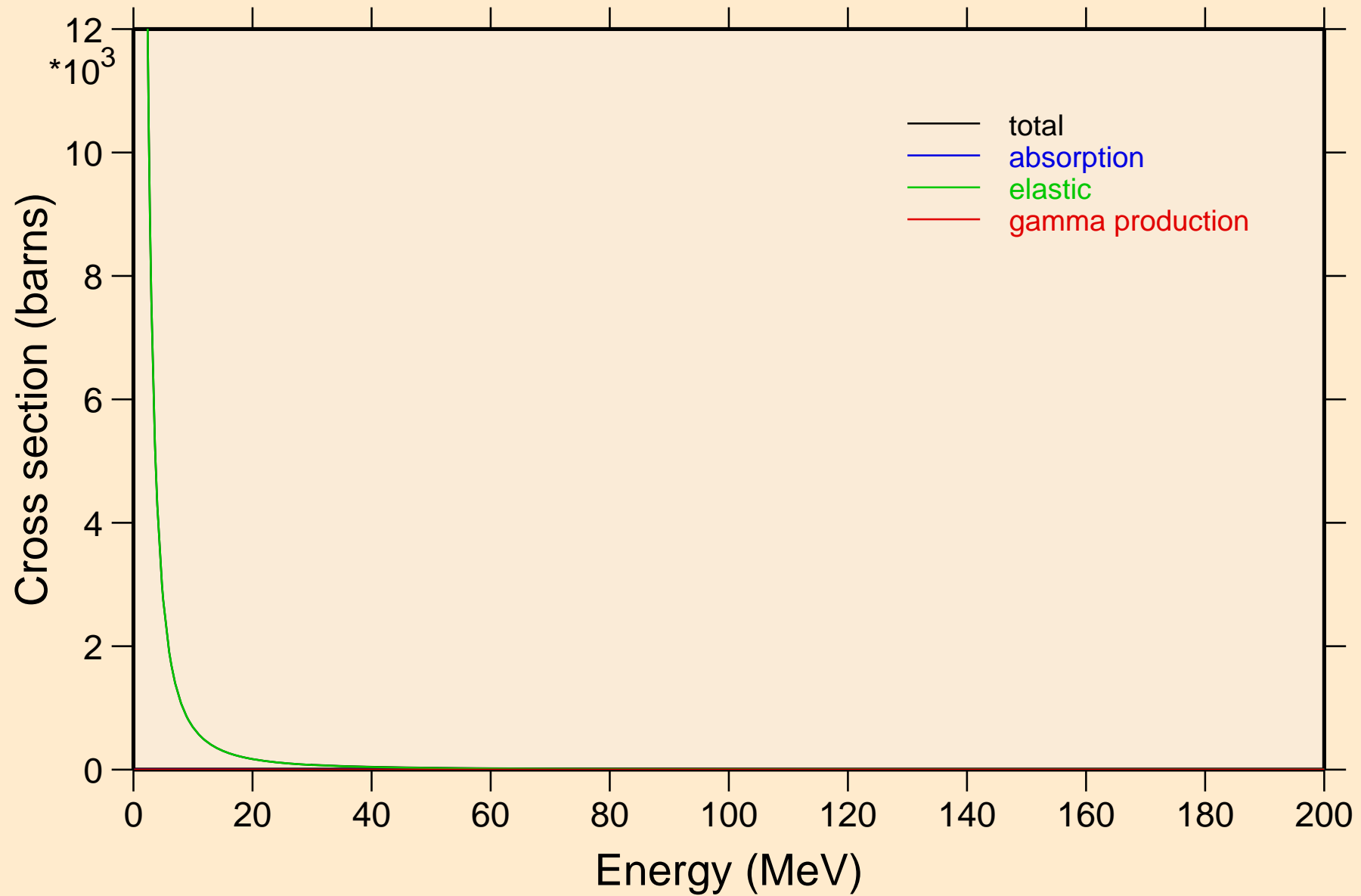
DB255 DEUTERON ACER TENDL-2021 LIBRARY; T=0.K
Principal cross sections



DB255 DEUTERON ACER TENDL-2021 LIBRARY; T=0.K
Heating

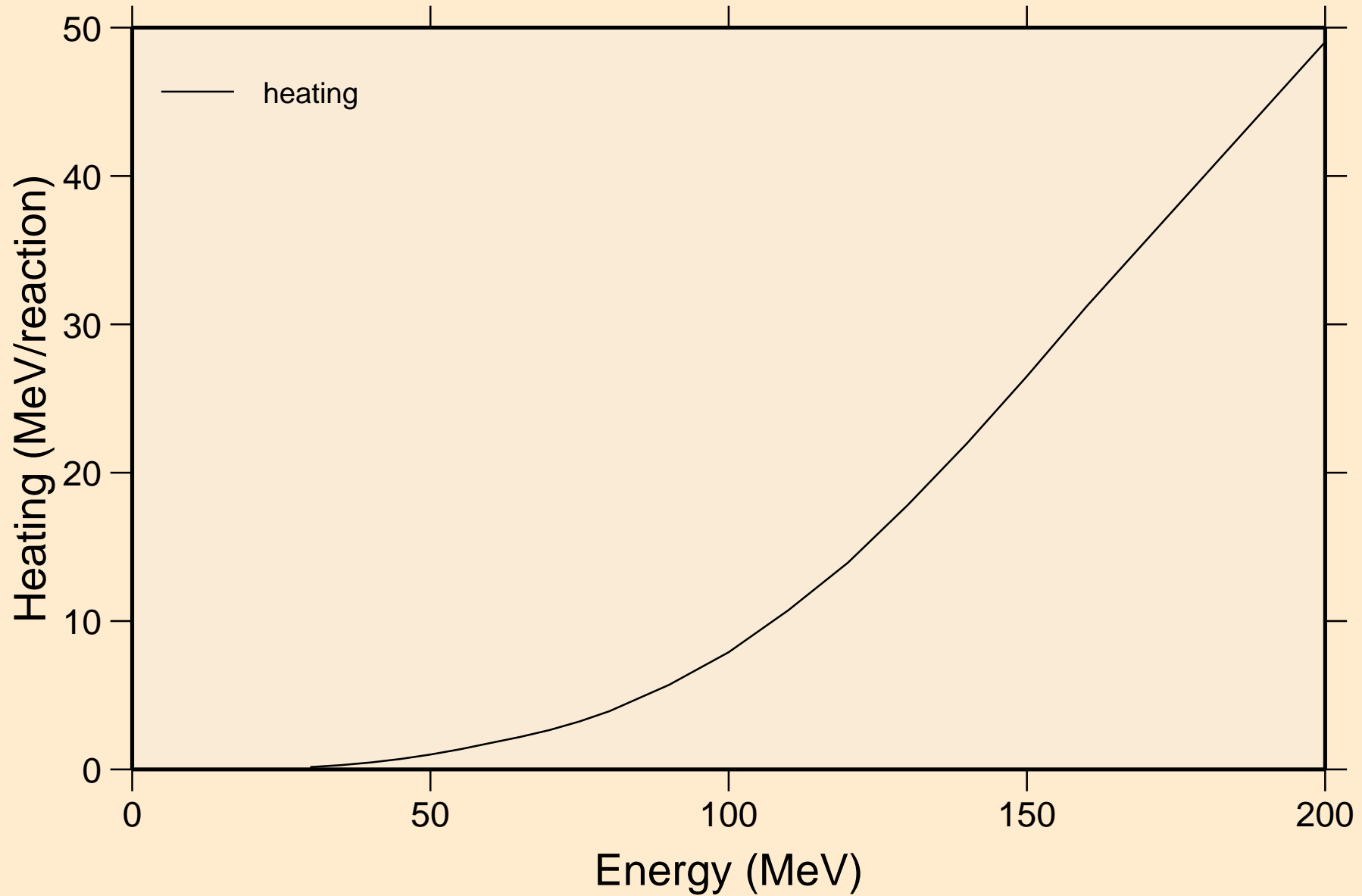


DB255 DEUTERON ACER TENDL-2021 LIBRARY; T=0.K
Principal cross sections

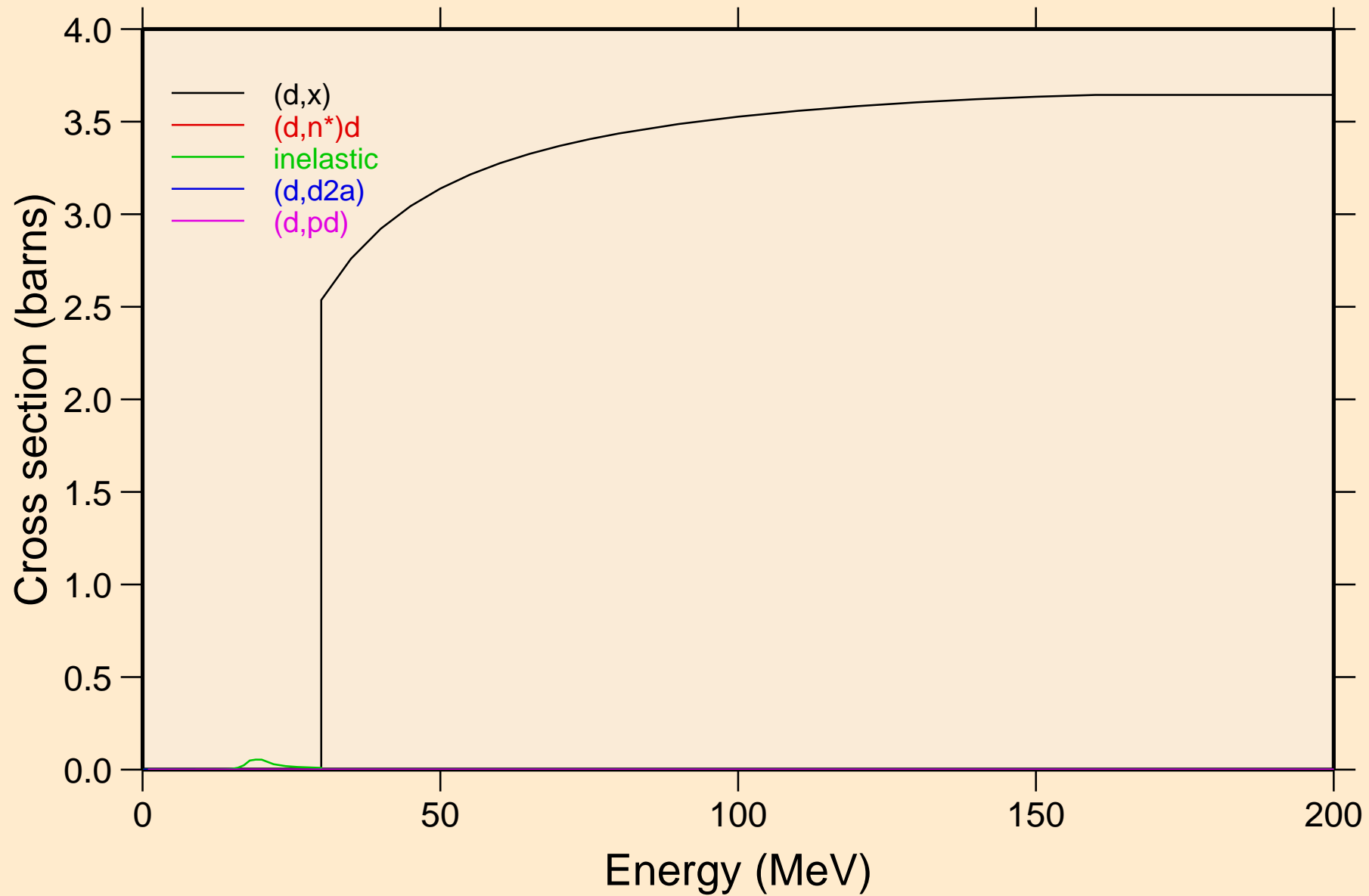


DB255 DEUTERON ACER TENDL-2021 LIBRARY; T=0.K

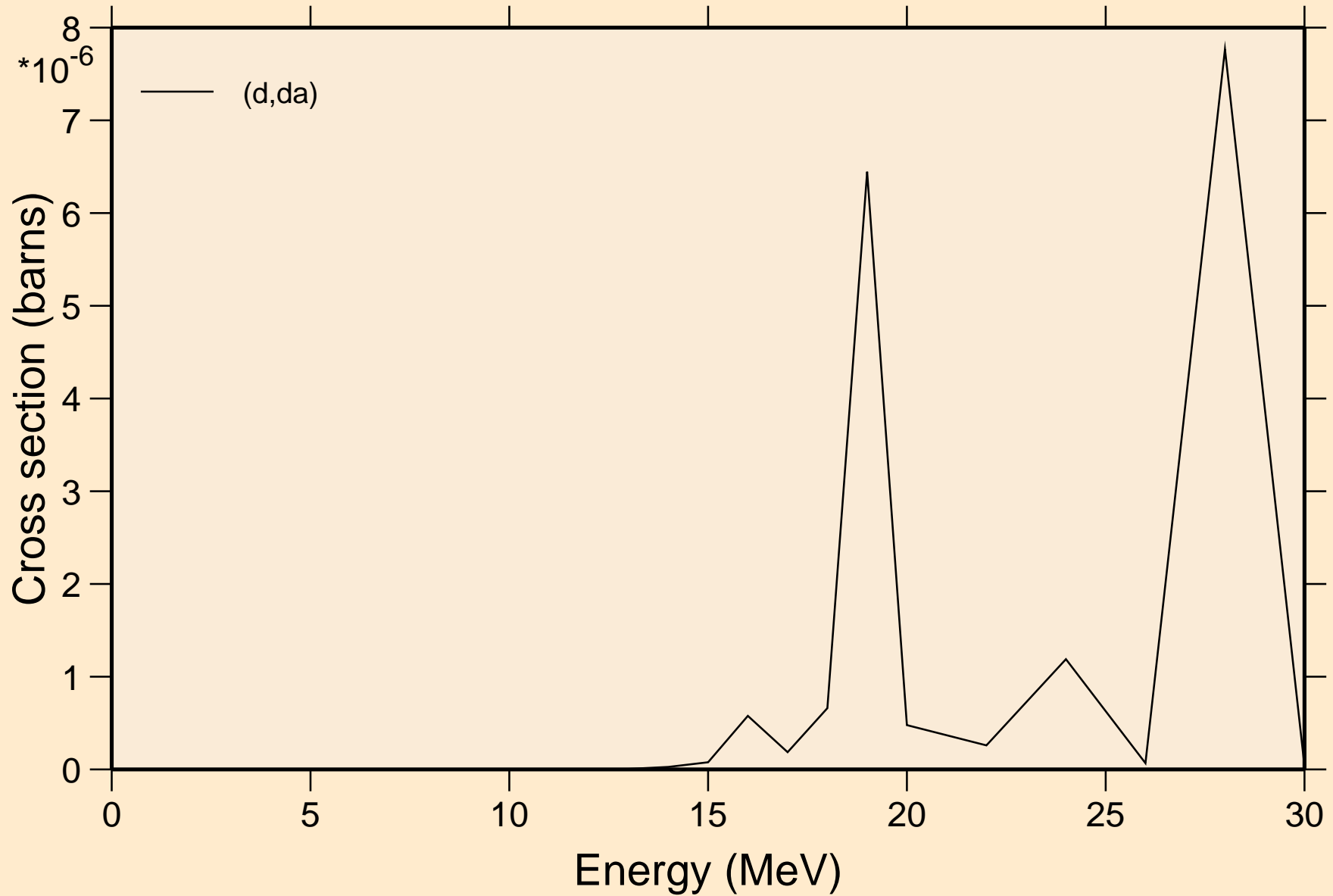
Heating



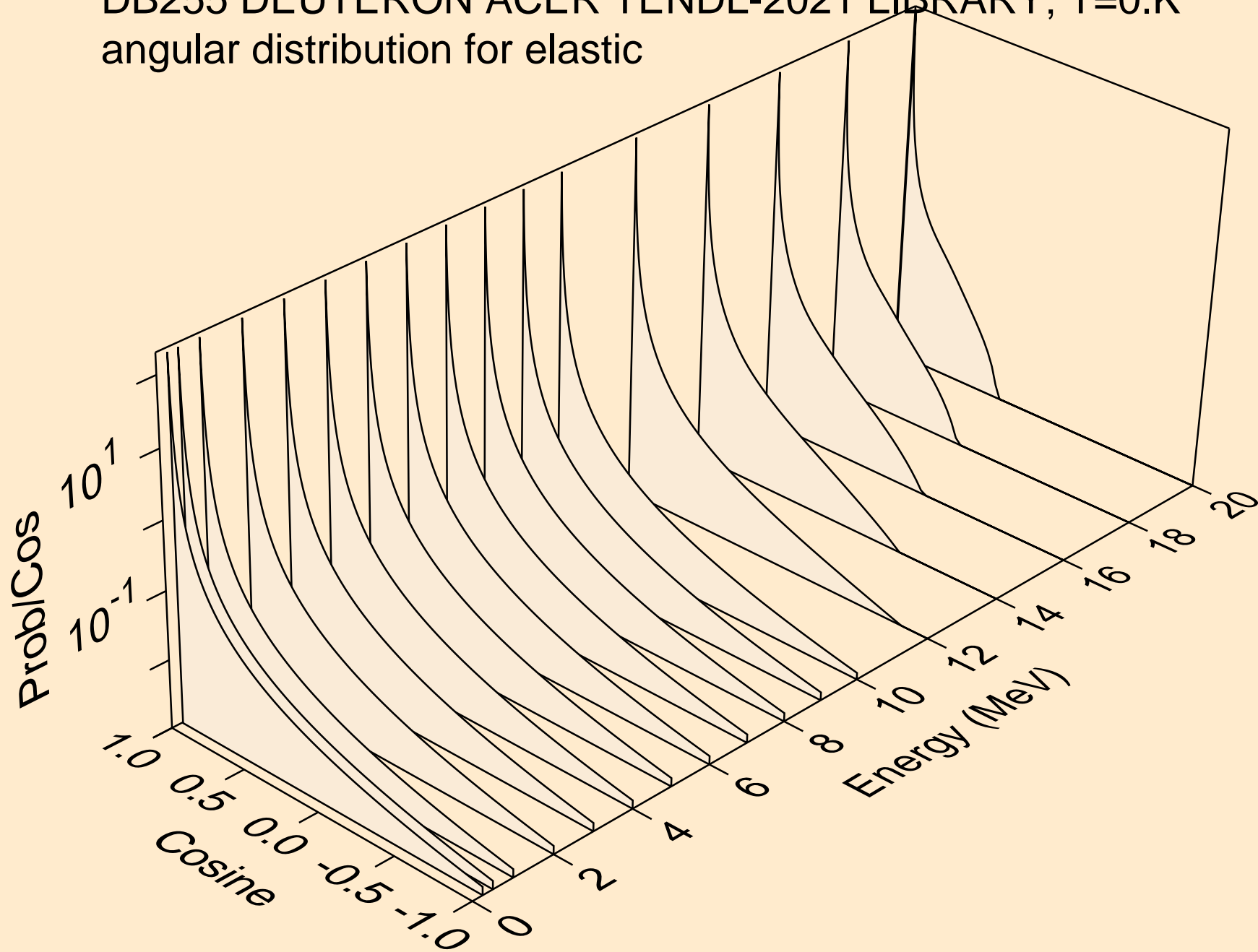
DB255 DEUTERON ACER TENDL-2021 LIBRARY; T=0.K
Threshold reactions



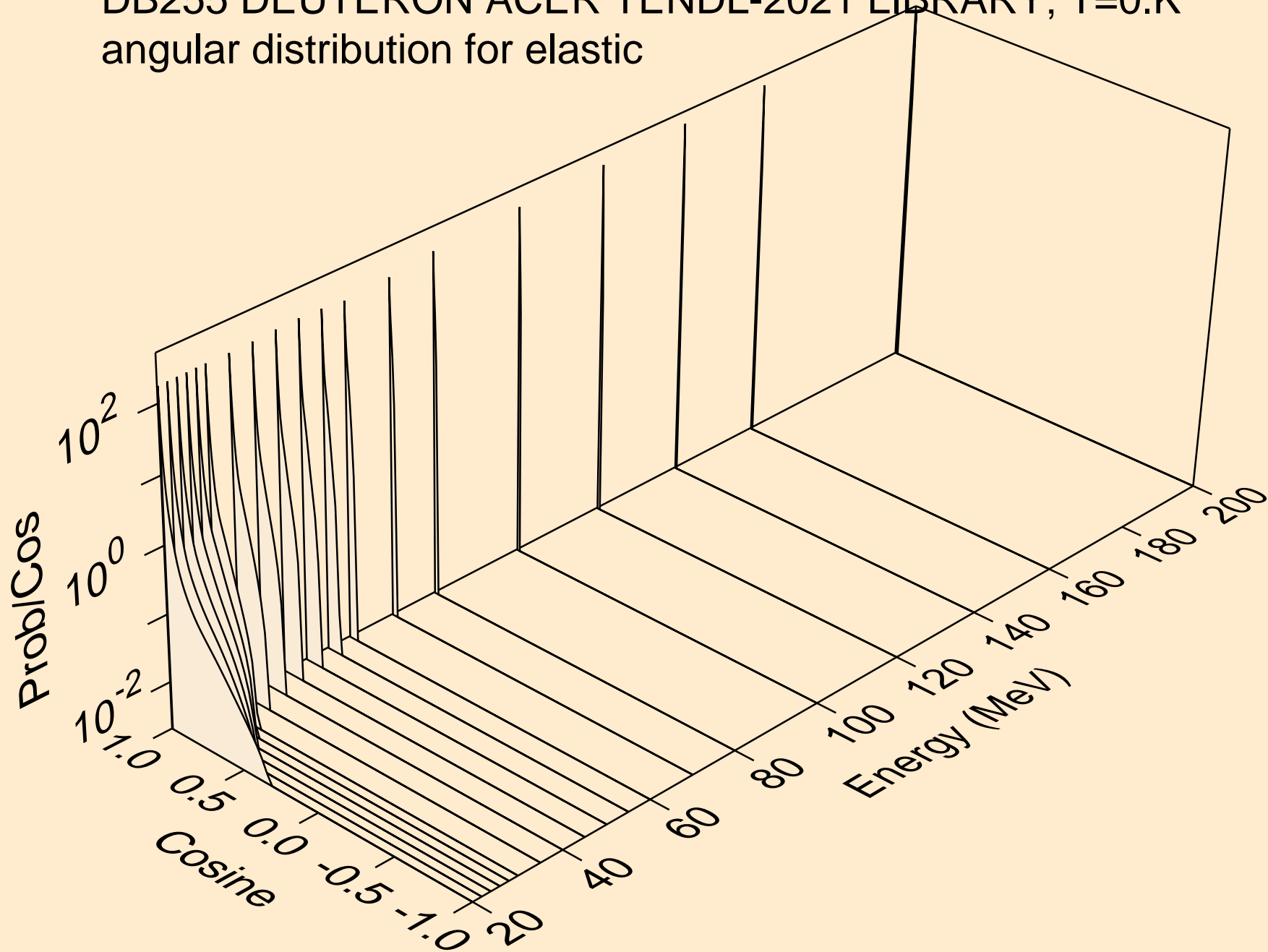
DB255 DEUTERON ACER TENDL-2021 LIBRARY; T=0.K
Threshold reactions



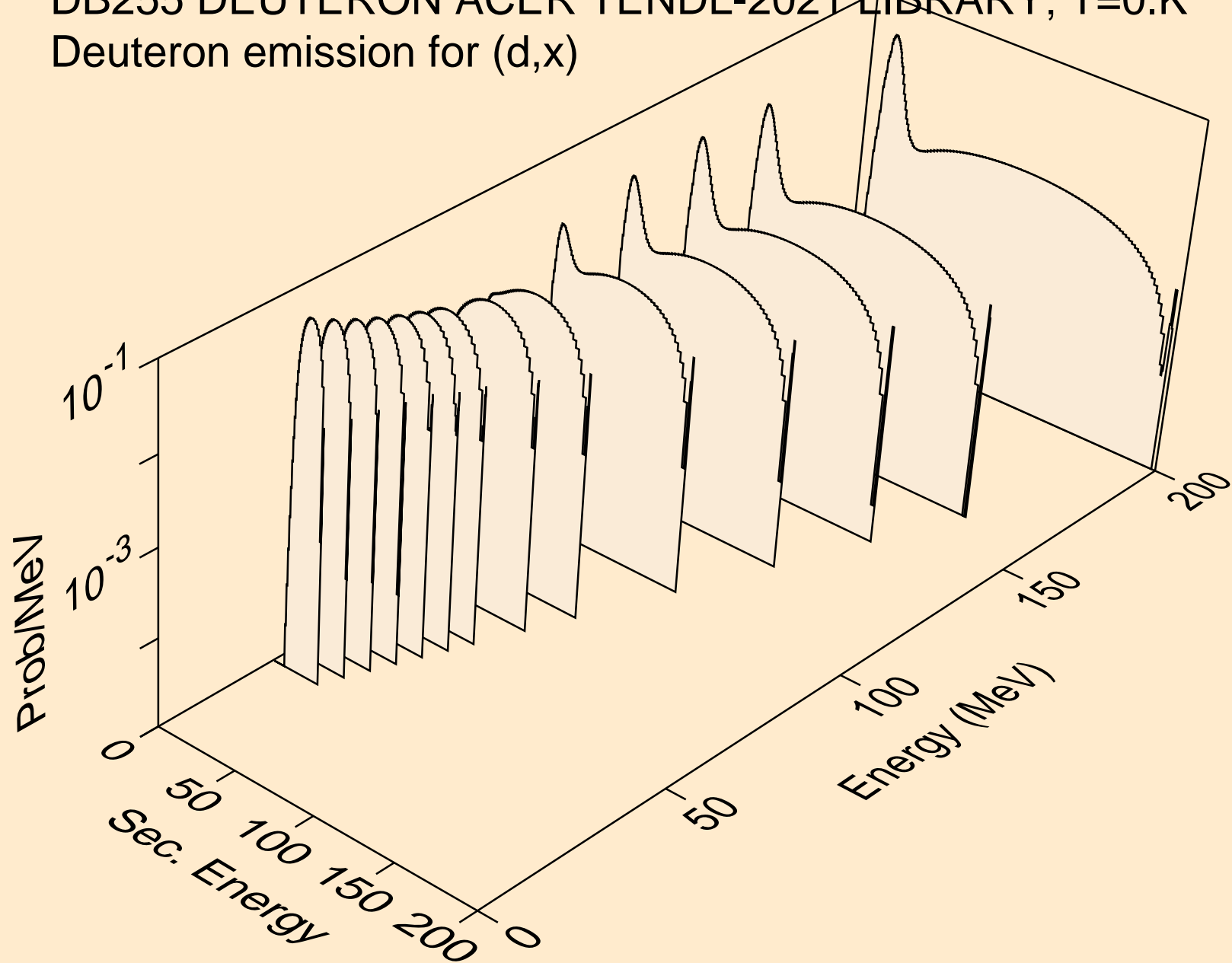
DB255 DEUTERON ACER TENDL-2021 LIBRARY; T=0.K
angular distribution for elastic



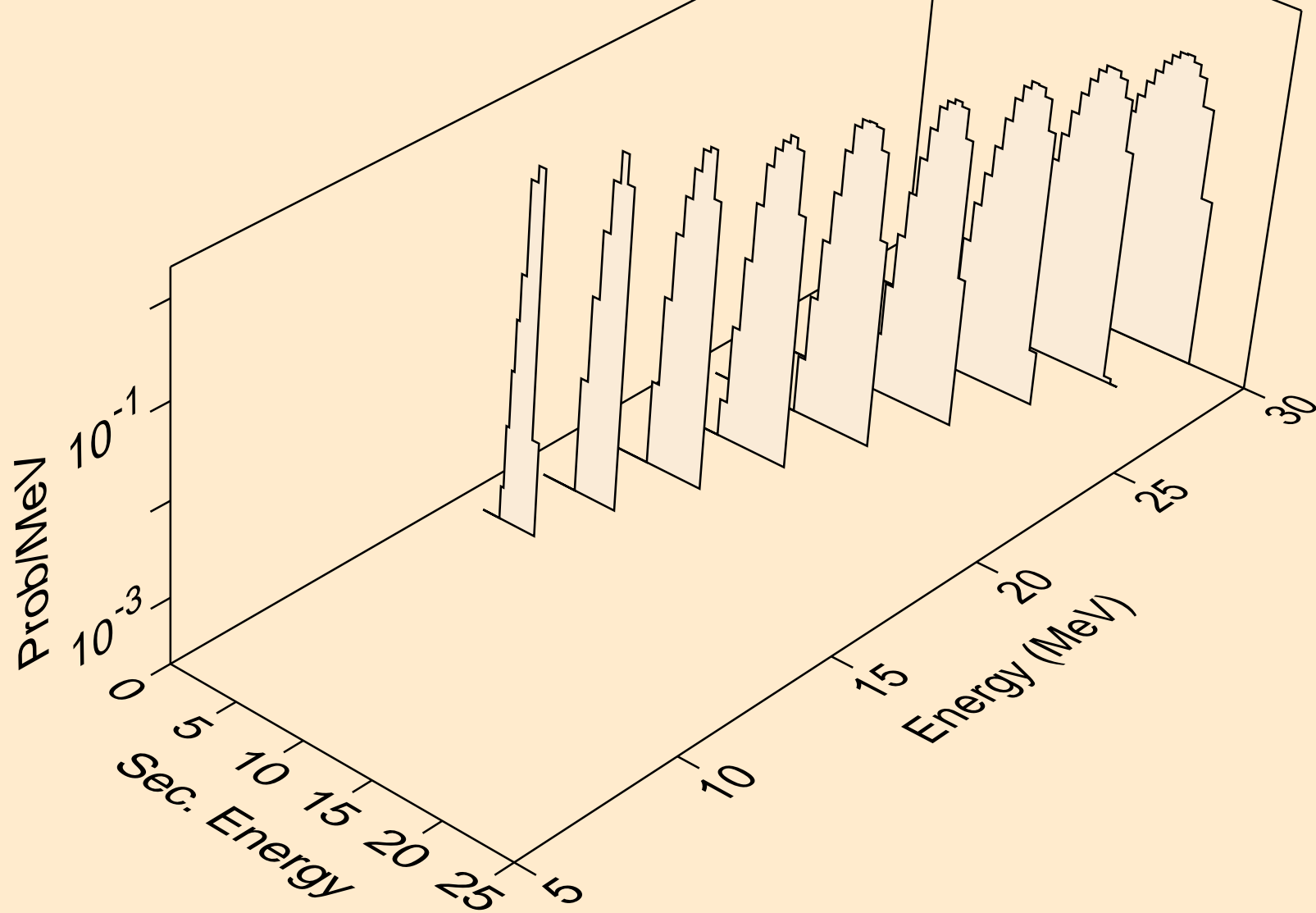
DB255 DEUTERON ACER TENDL-2021 LIBRARY; T=0.K
angular distribution for elastic



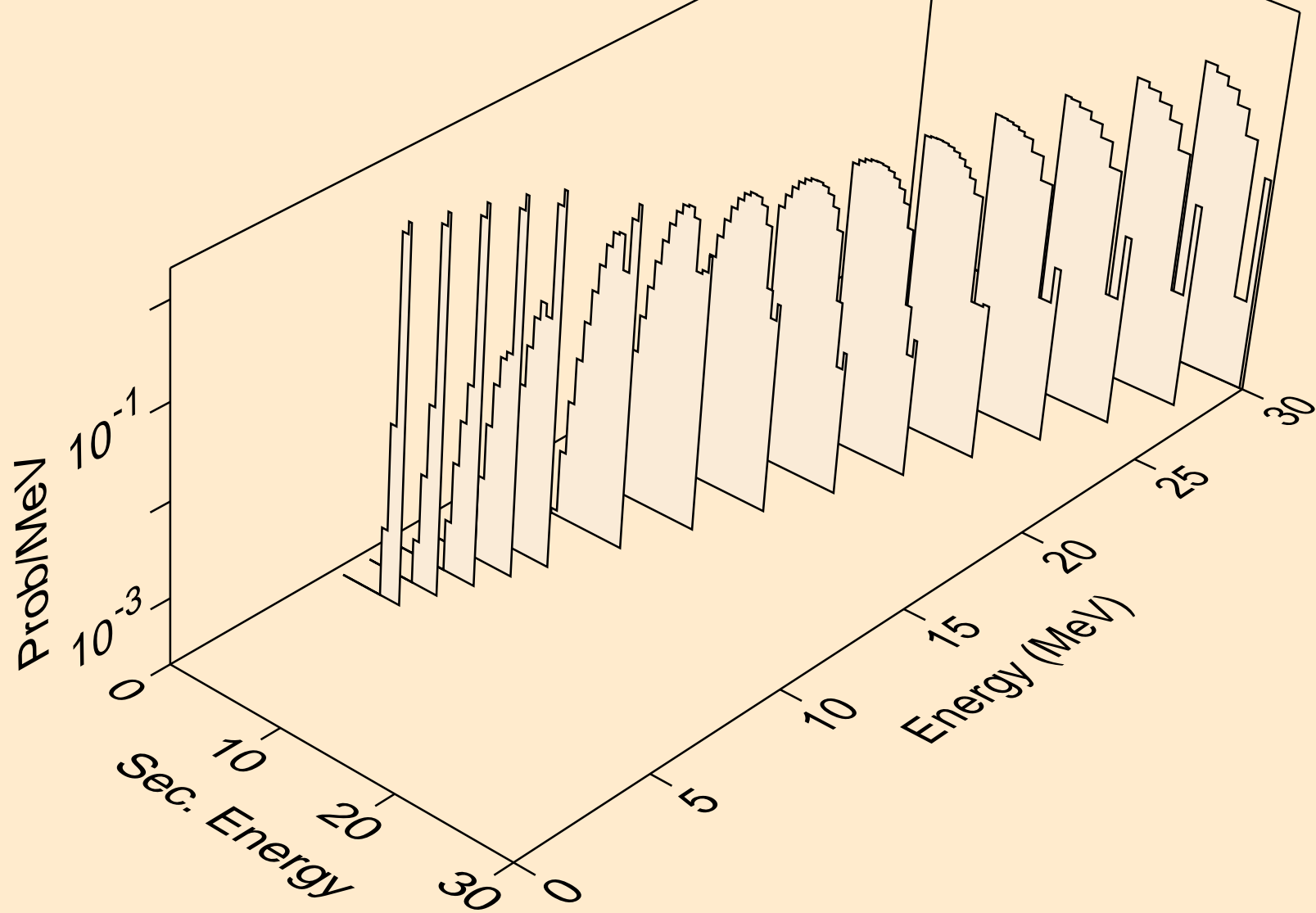
DB255 DEUTERON ACER TENDL-2021 LIBRARY; T=0.K
Deuteron emission for (d,x)



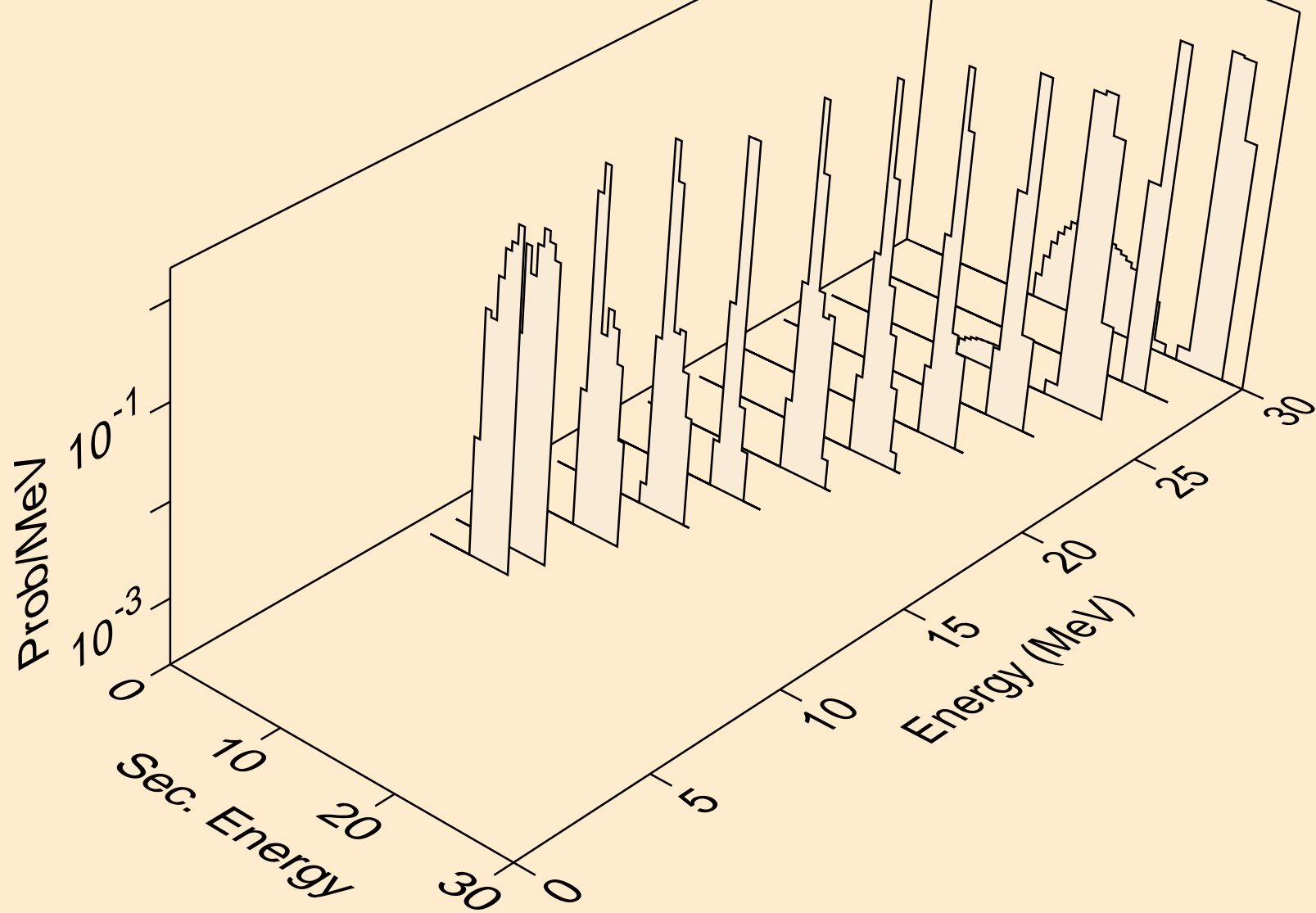
DB255 DEUTERON ACER TENDL-2021 LIBRARY; T=0.K
Deuteron emission for (d,n*)d



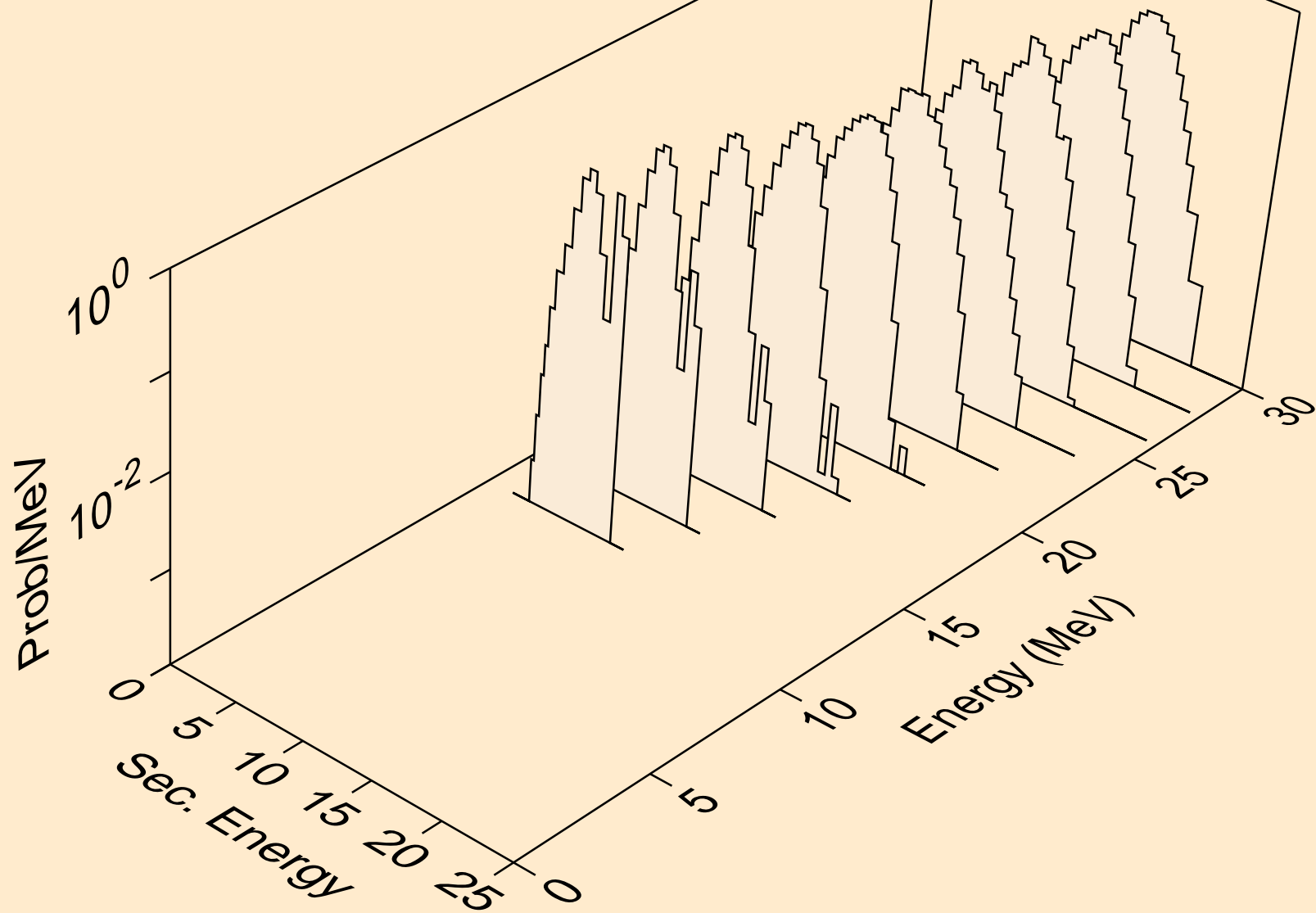
DB255 DEUTERON ACER TENDL-2021 LIBRARY; T=0.K
Deuteron emission for inelastic



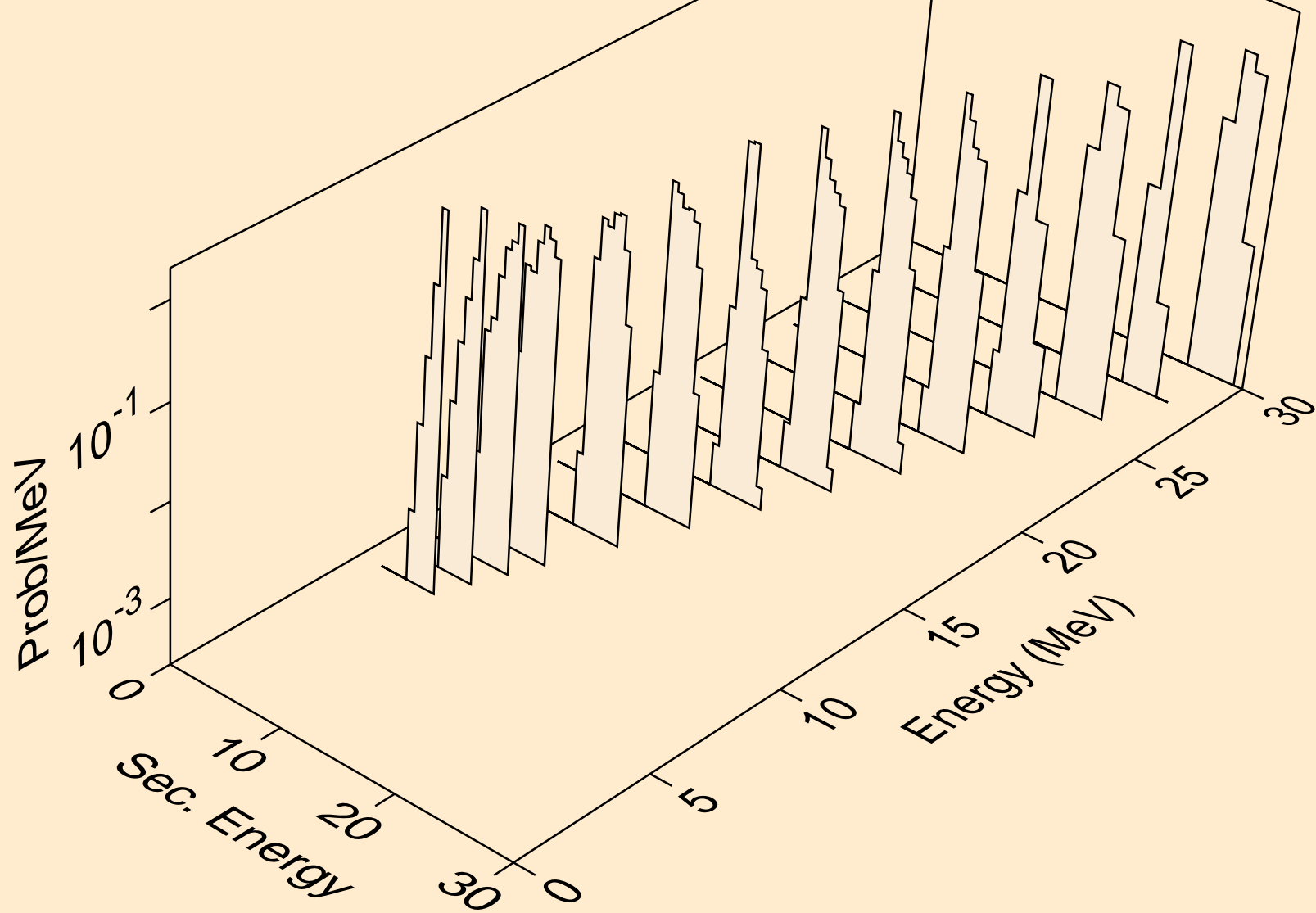
DB255 DEUTERON ACER TENDL-2021 LIBRARY; T=0.K
Deuteron emission for (d,d2a)



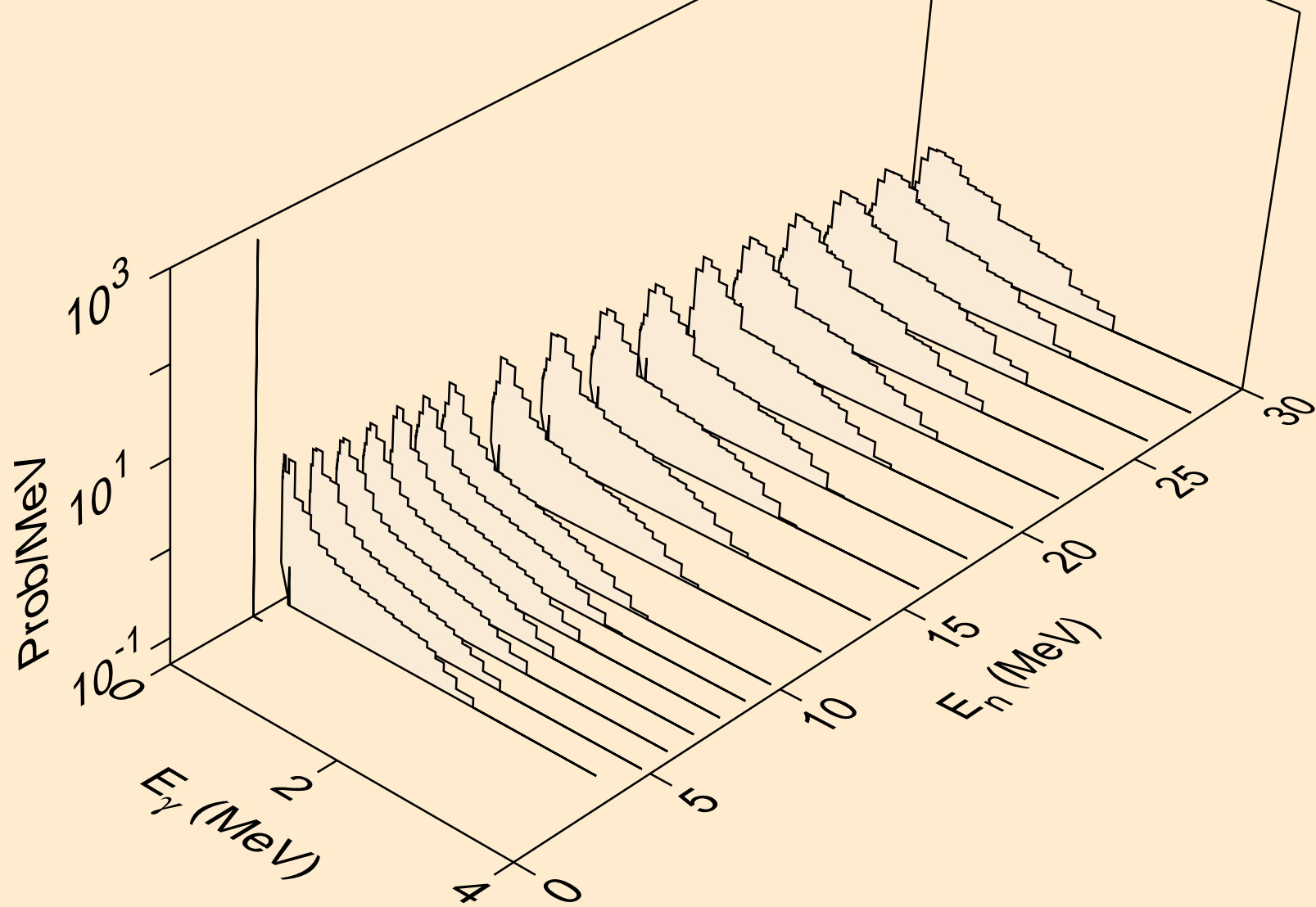
DB255 DEUTERON ACER TENDL-2021 LIBRARY; T=0.K
Deuteron emission for (d,pd)



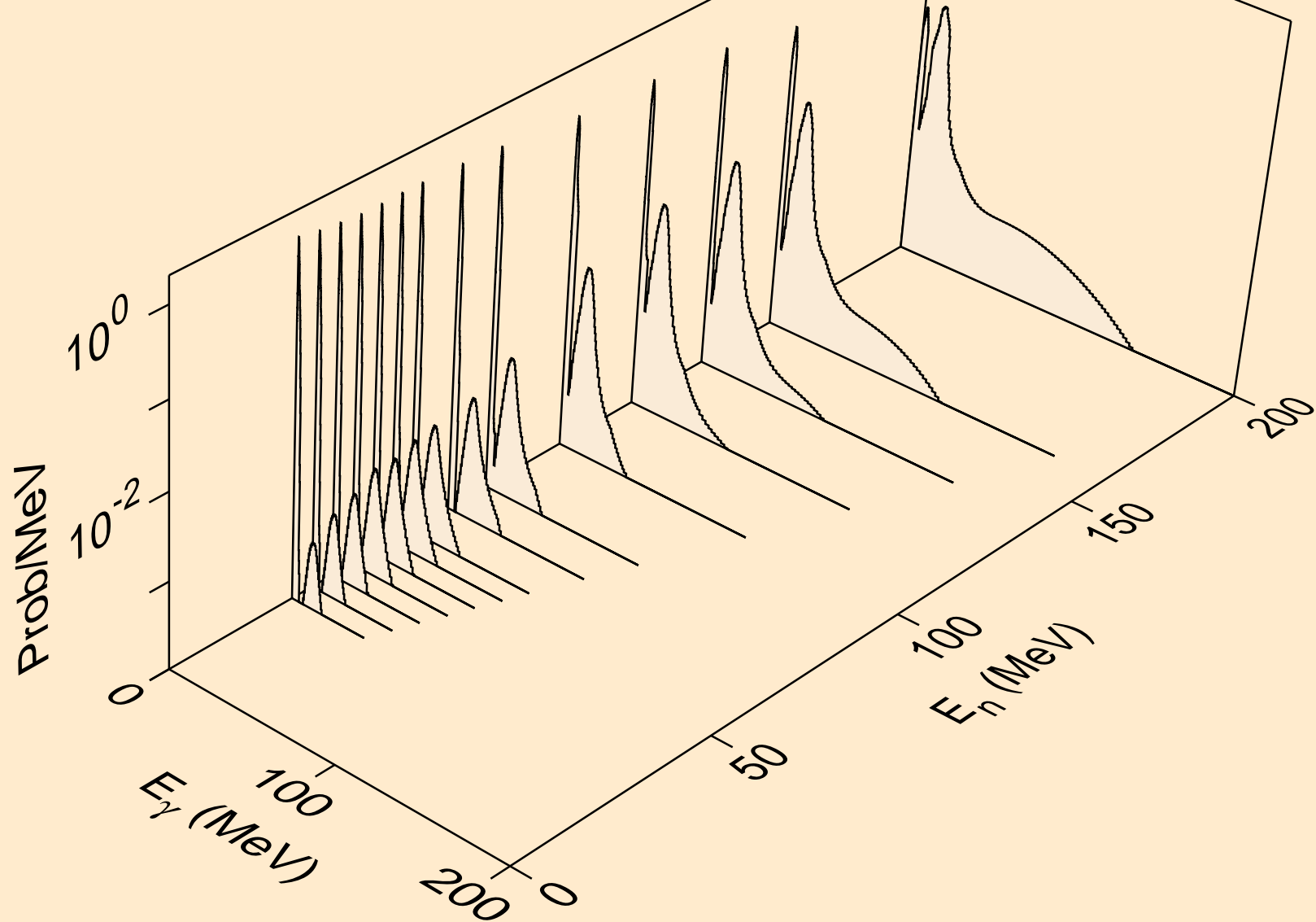
DB255 DEUTERON ACER TENDL-2021 LIBRARY; T=0.K
Deuteron emission for (d,da)



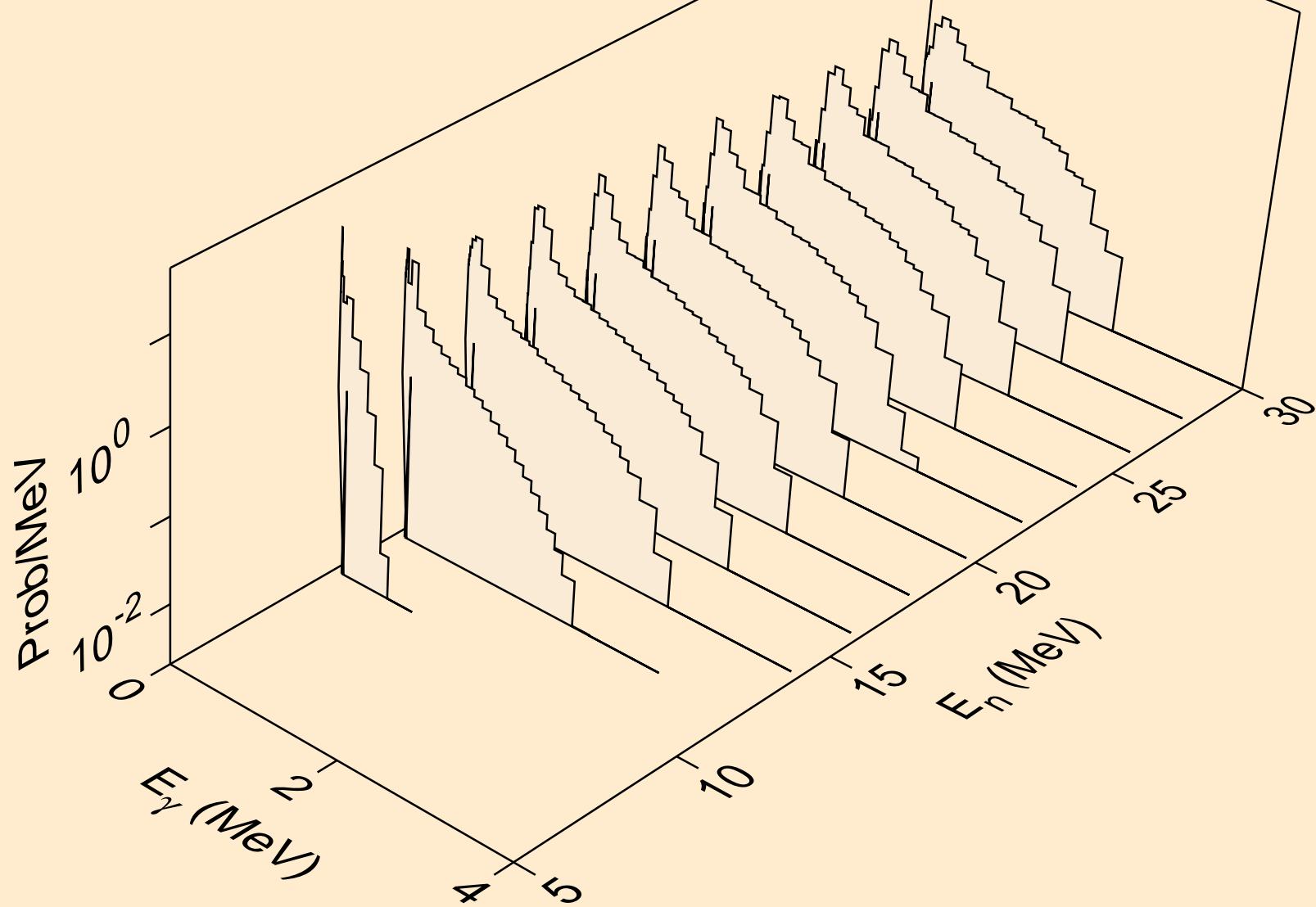
DB255 DEUTERON ACER TENDL-2021 LIBRARY; T=0.K
Photon emission for (z,n)



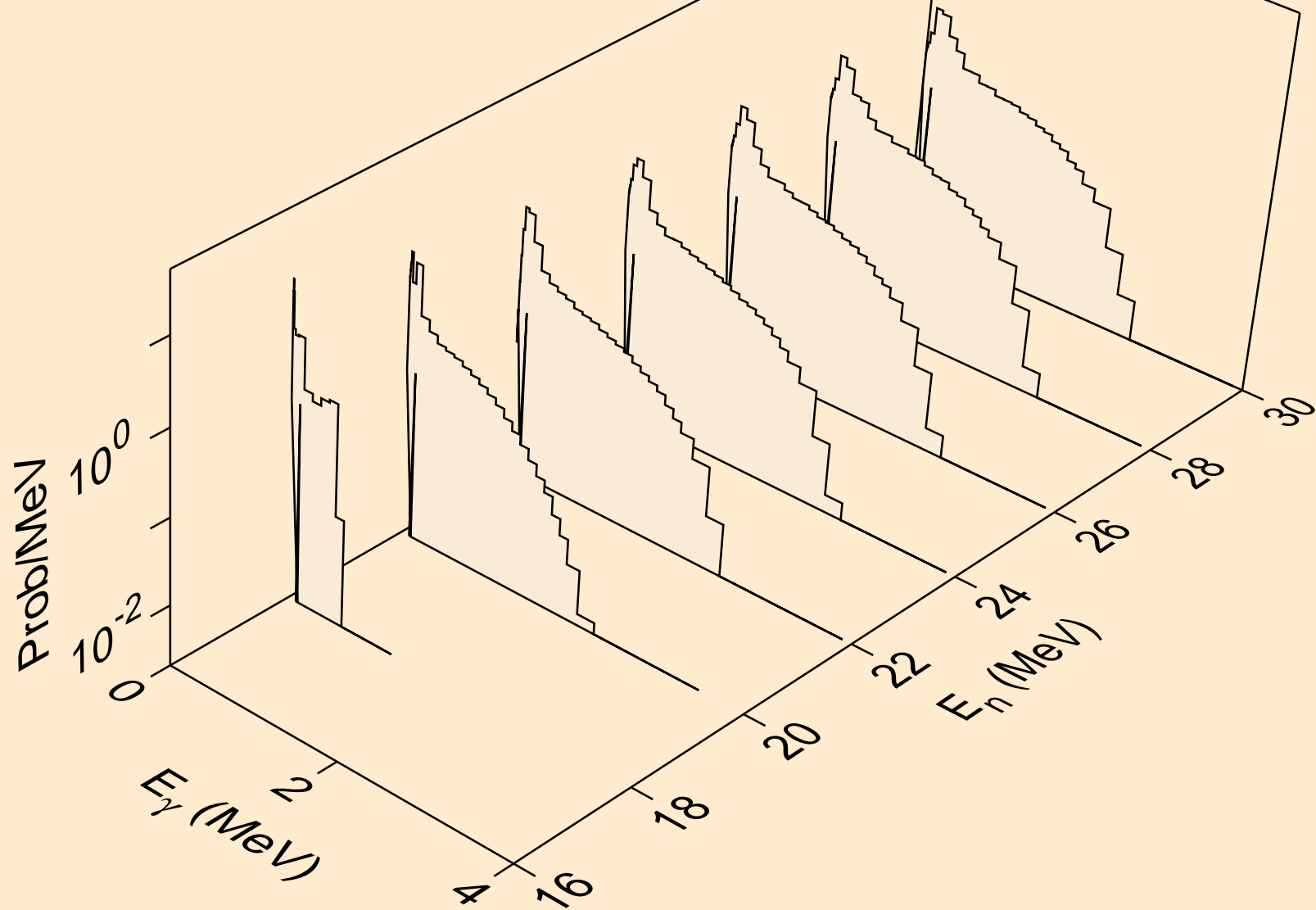
DB255 DEUTERON ACER TENDL-2021 LIBRARY; T=0.K
Photon emission for (n,x)



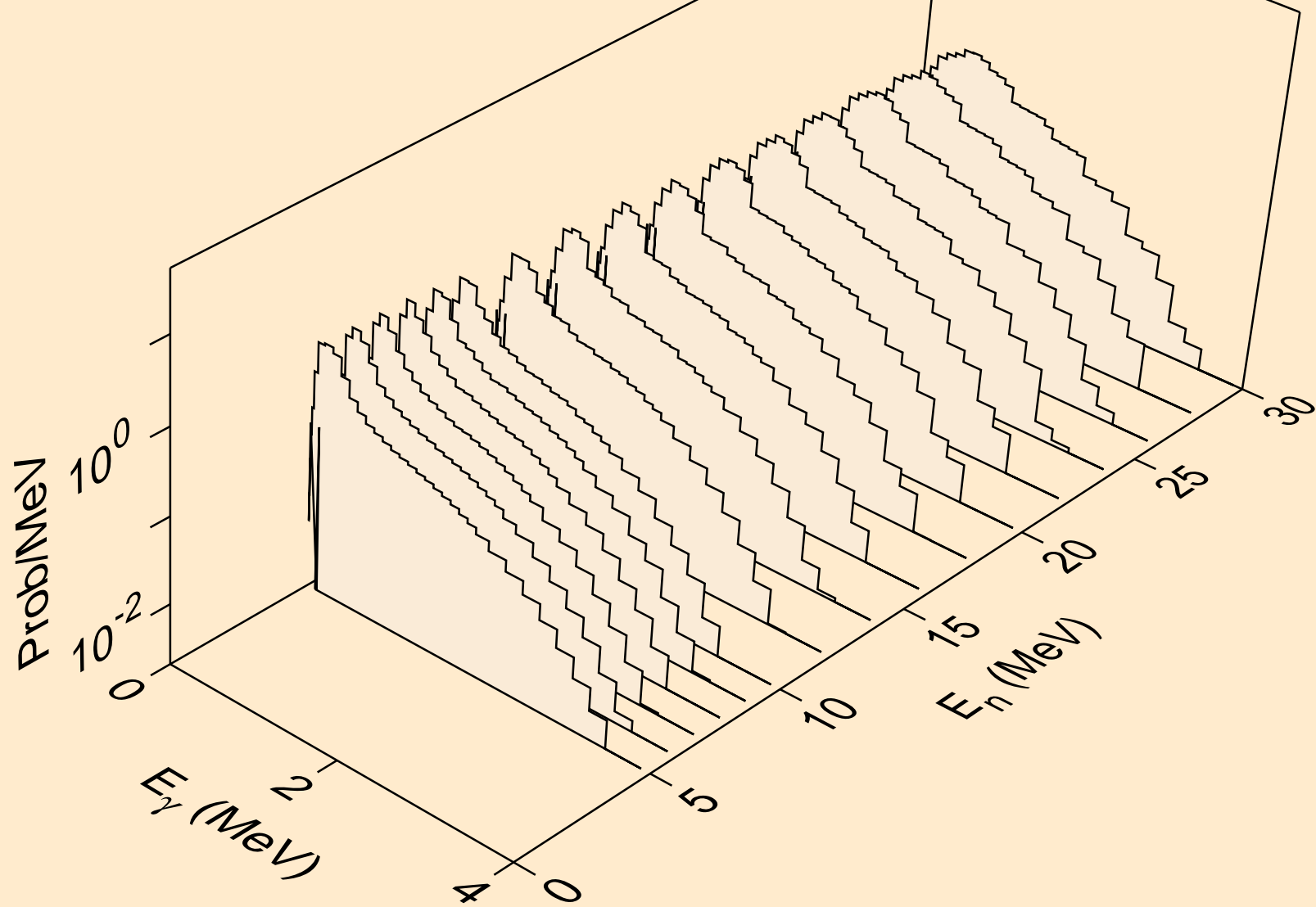
DB255 DEUTERON ACER TENDL-2021 LIBRARY; T=0.K
Photon emission for (n,2n)



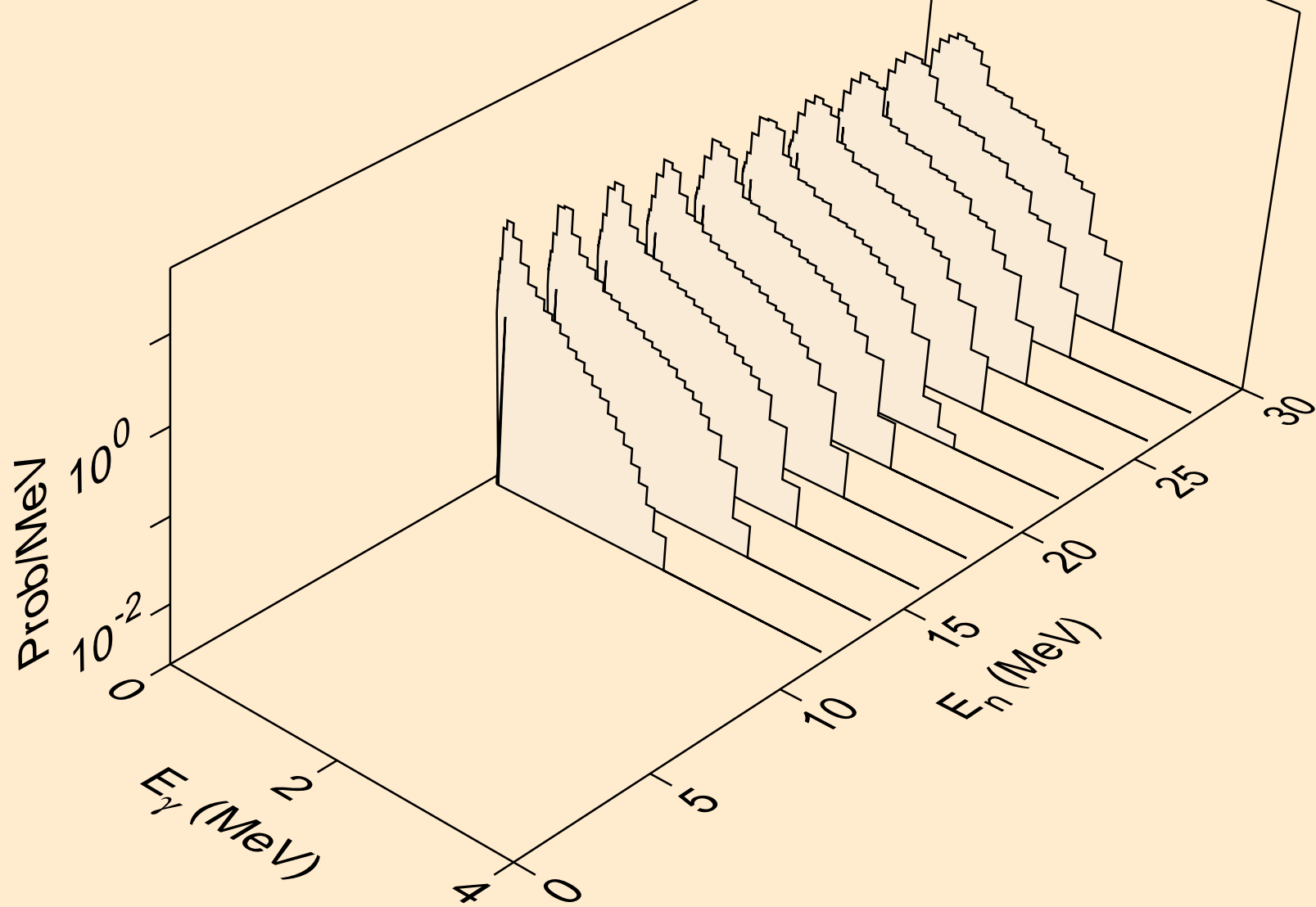
DB255 DEUTERON ACER TENDL-2021 LIBRARY; T=0.K
Photon emission for (n,3n)



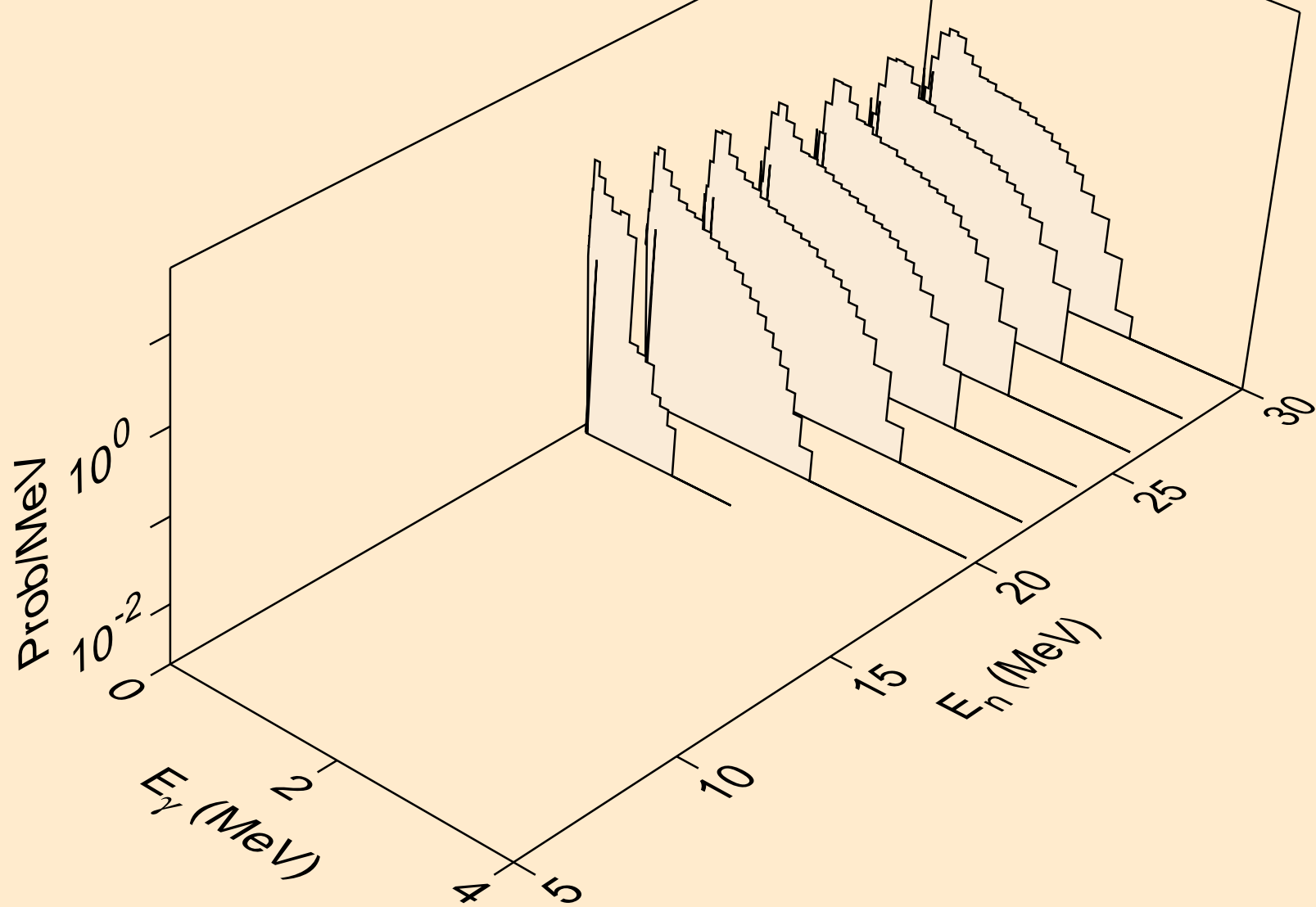
DB255 DEUTERON ACER TENDL-2021 LIBRARY; T=0.K
Photon emission for (n,n*)a



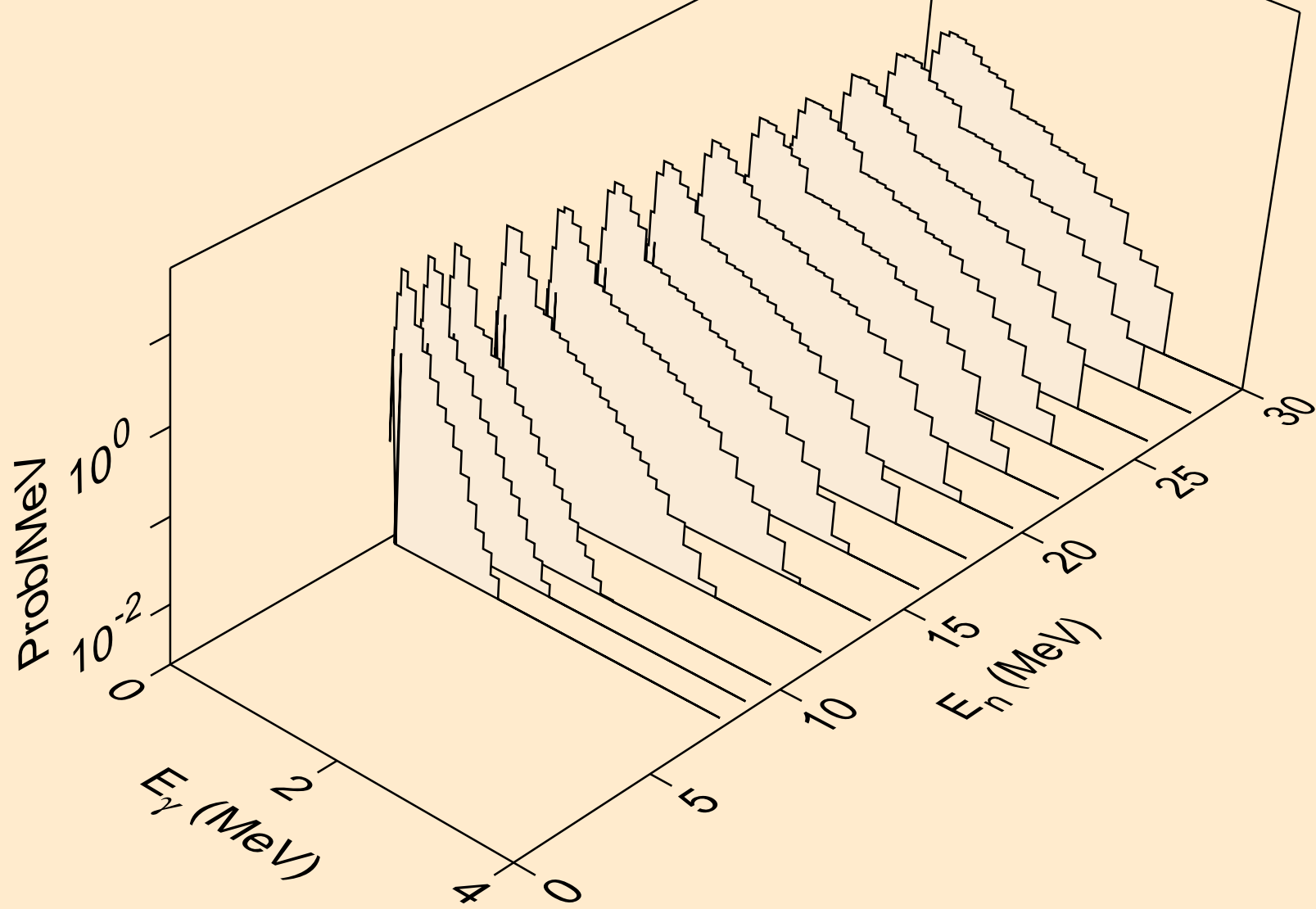
DB255 DEUTERON ACER TENDL-2021 LIBRARY; T=0.K
Photon emission for (n,2n) α



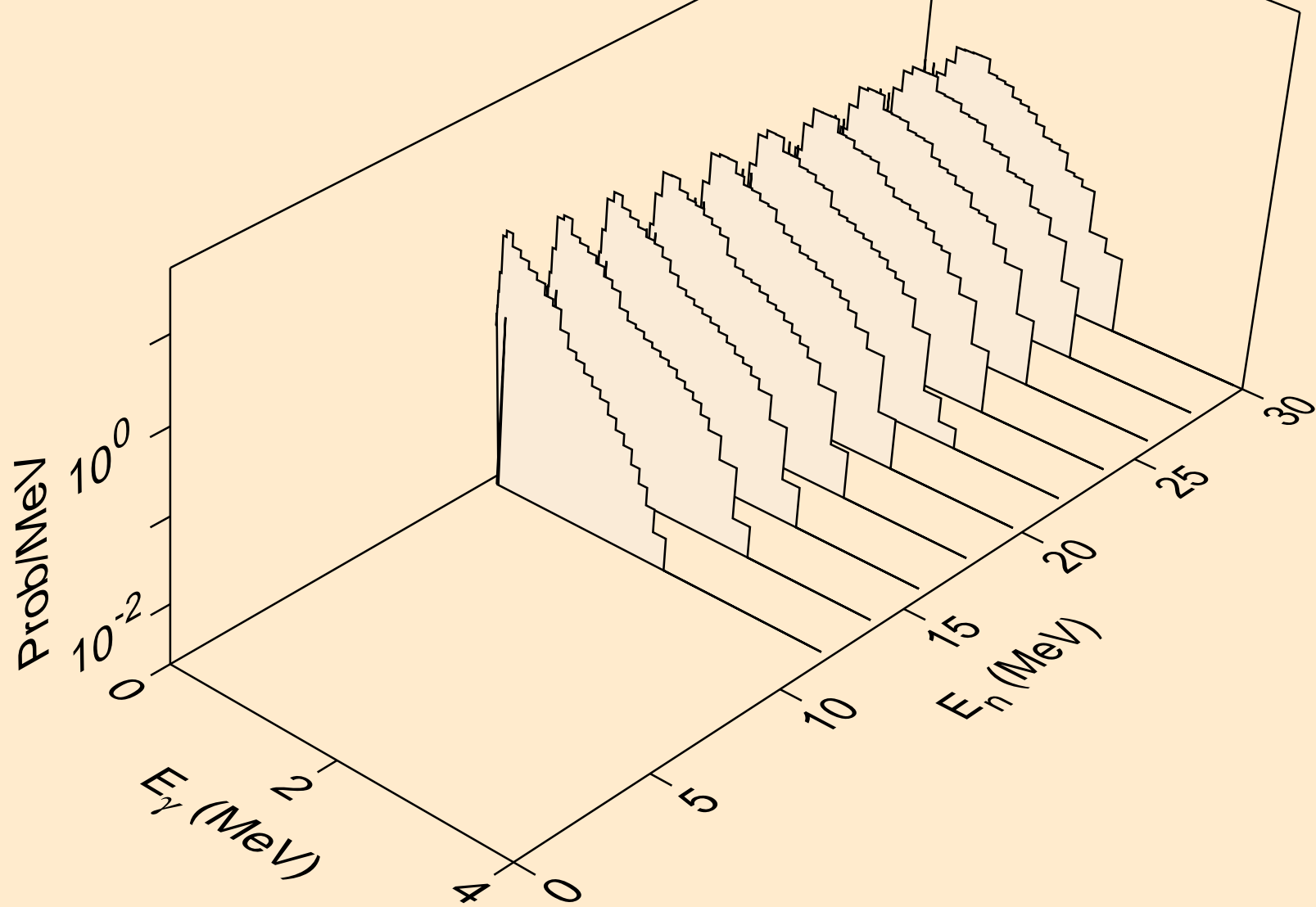
DB255 DEUTERON ACER TENDL-2021 LIBRARY; T=0.K
Photon emission for (n,3n)a



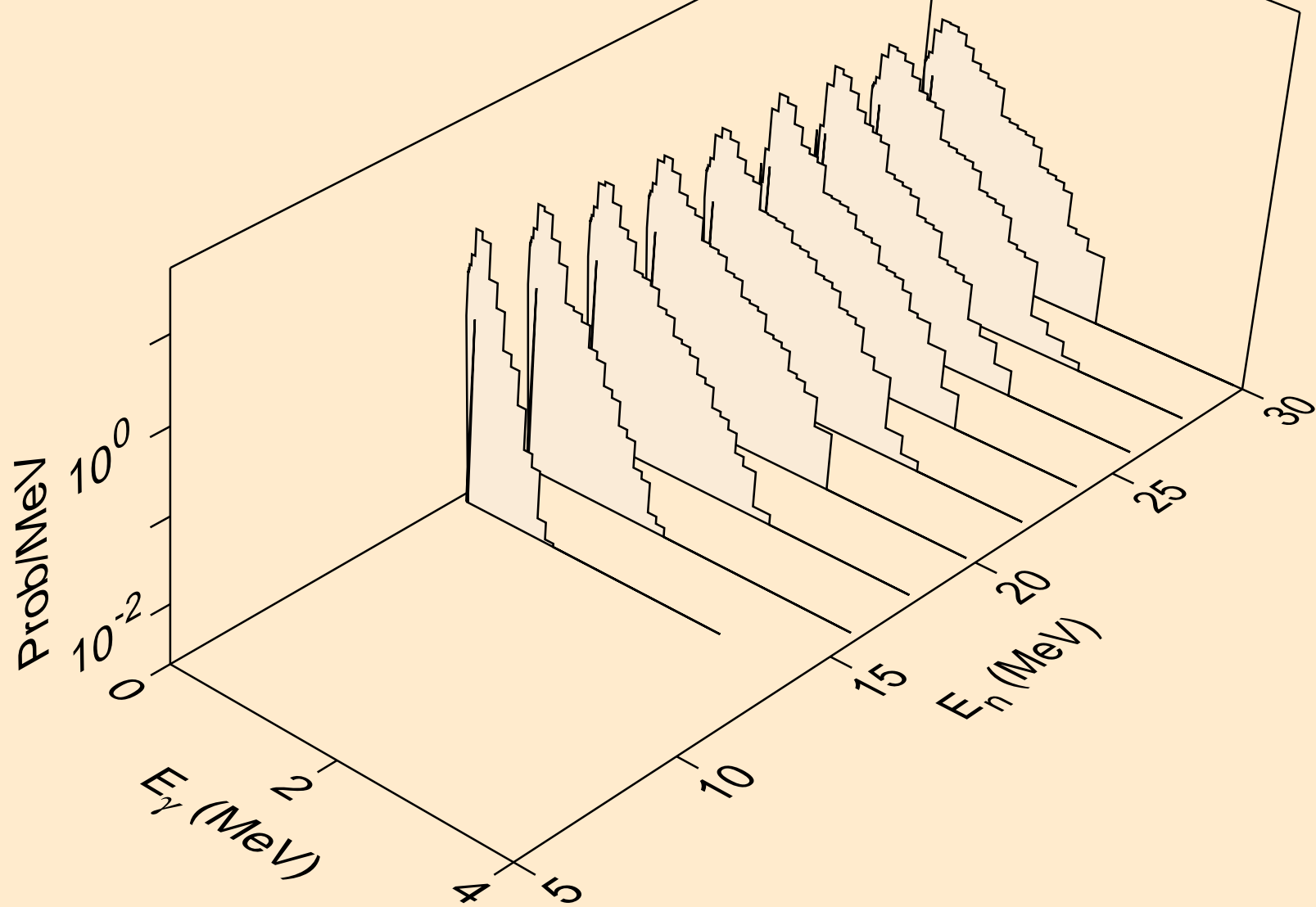
DB255 DEUTERON ACER TENDL-2021 LIBRARY; T=0.K
Photon emission for (n,n*)p



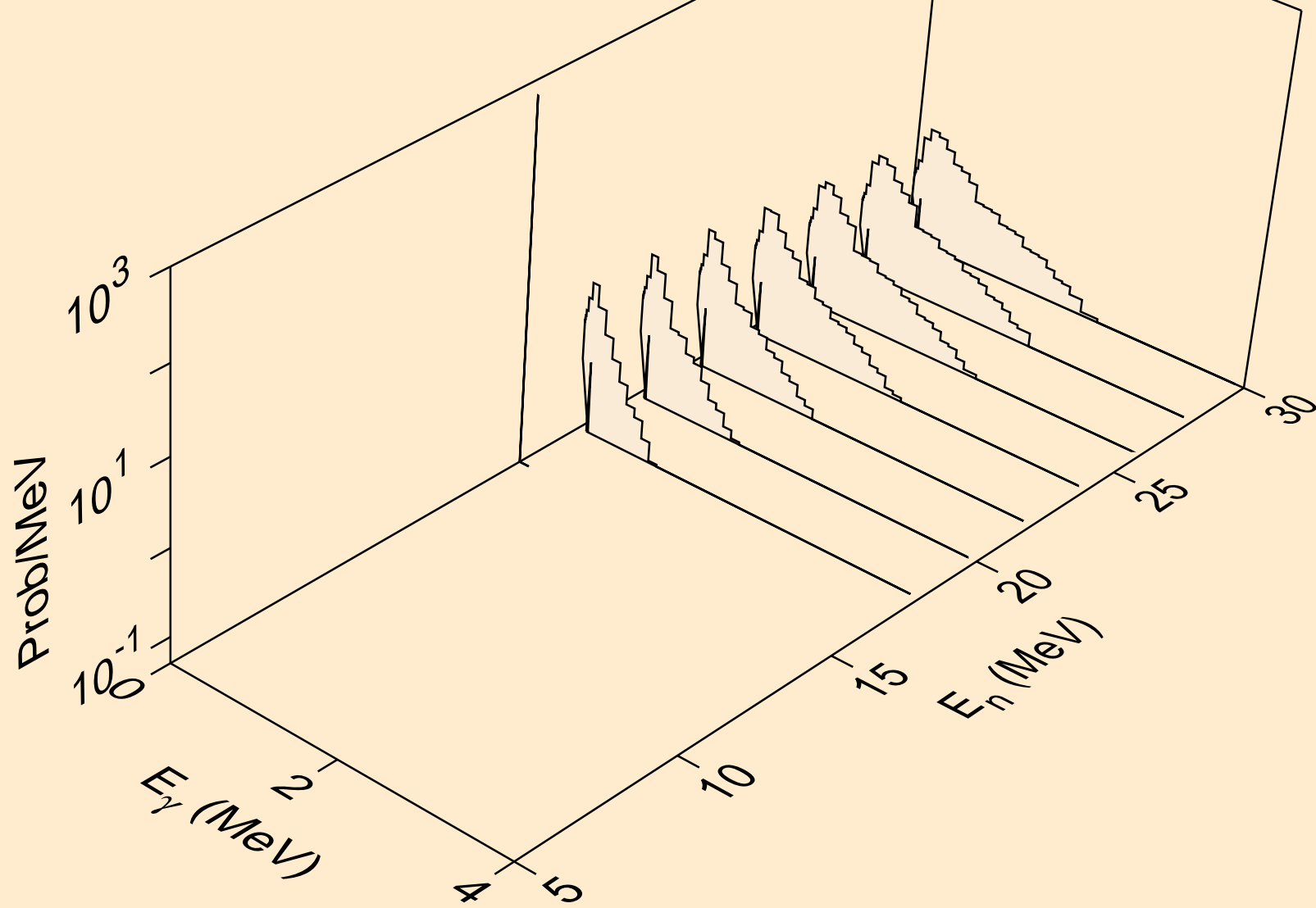
DB255 DEUTERON ACER TENDL-2021 LIBRARY; T=0.K
Photon emission for (n,2n)2a



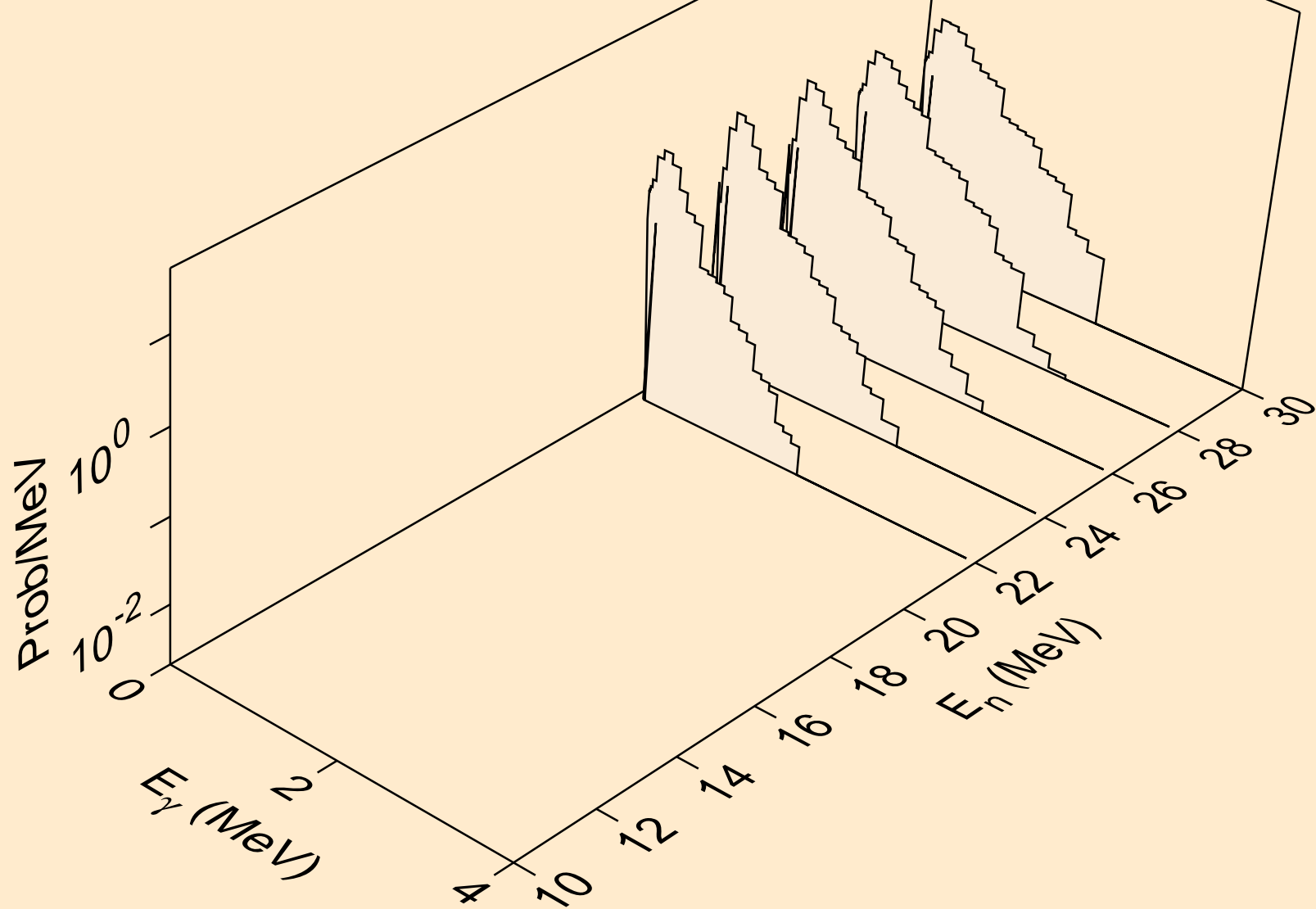
DB255 DEUTERON ACER TENDL-2021 LIBRARY; T=0.K
Photon emission for (n,n*)d



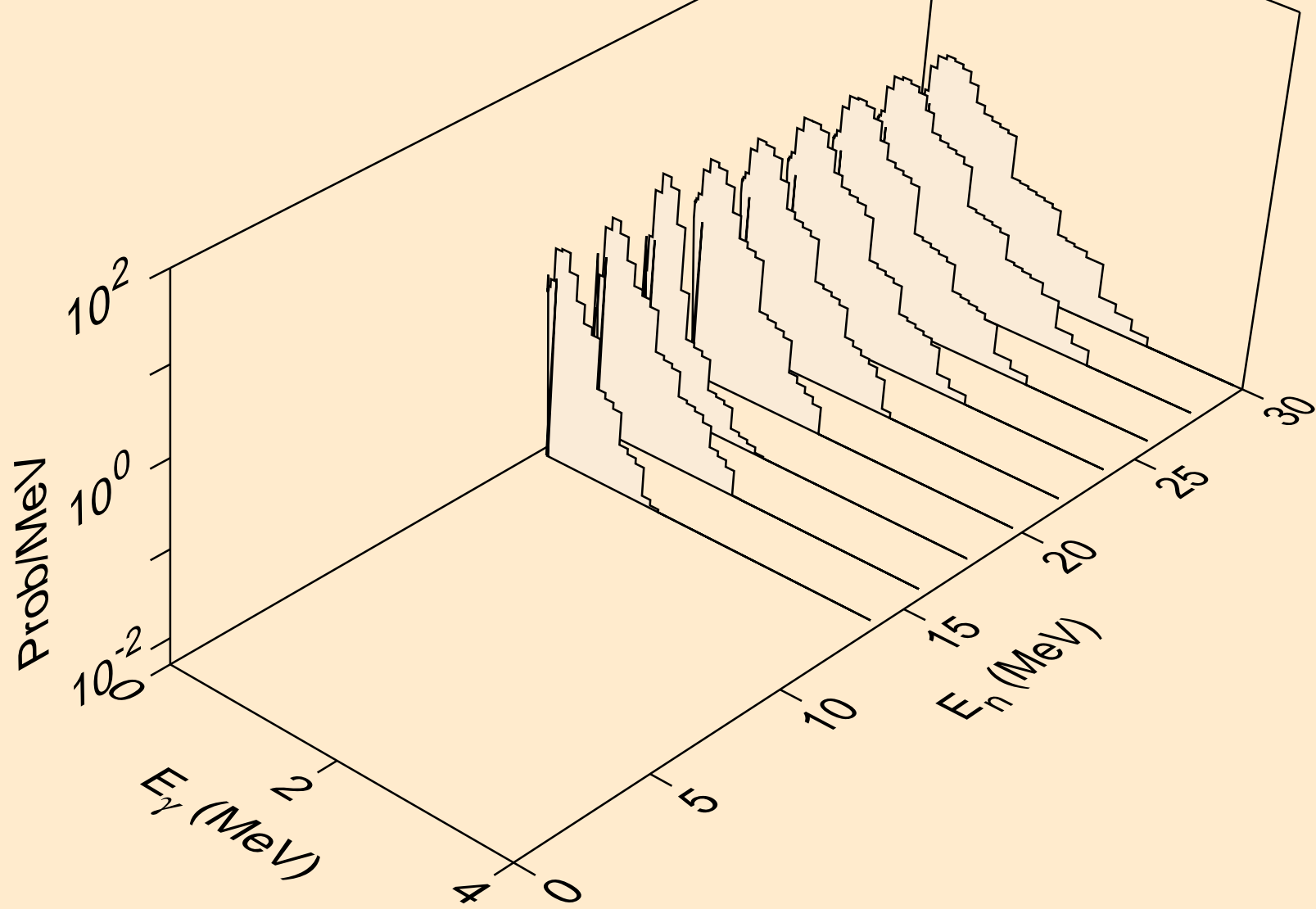
DB255 DEUTERON ACER TENDL-2021 LIBRARY; T=0.K
Photon emission for (n,n*)t



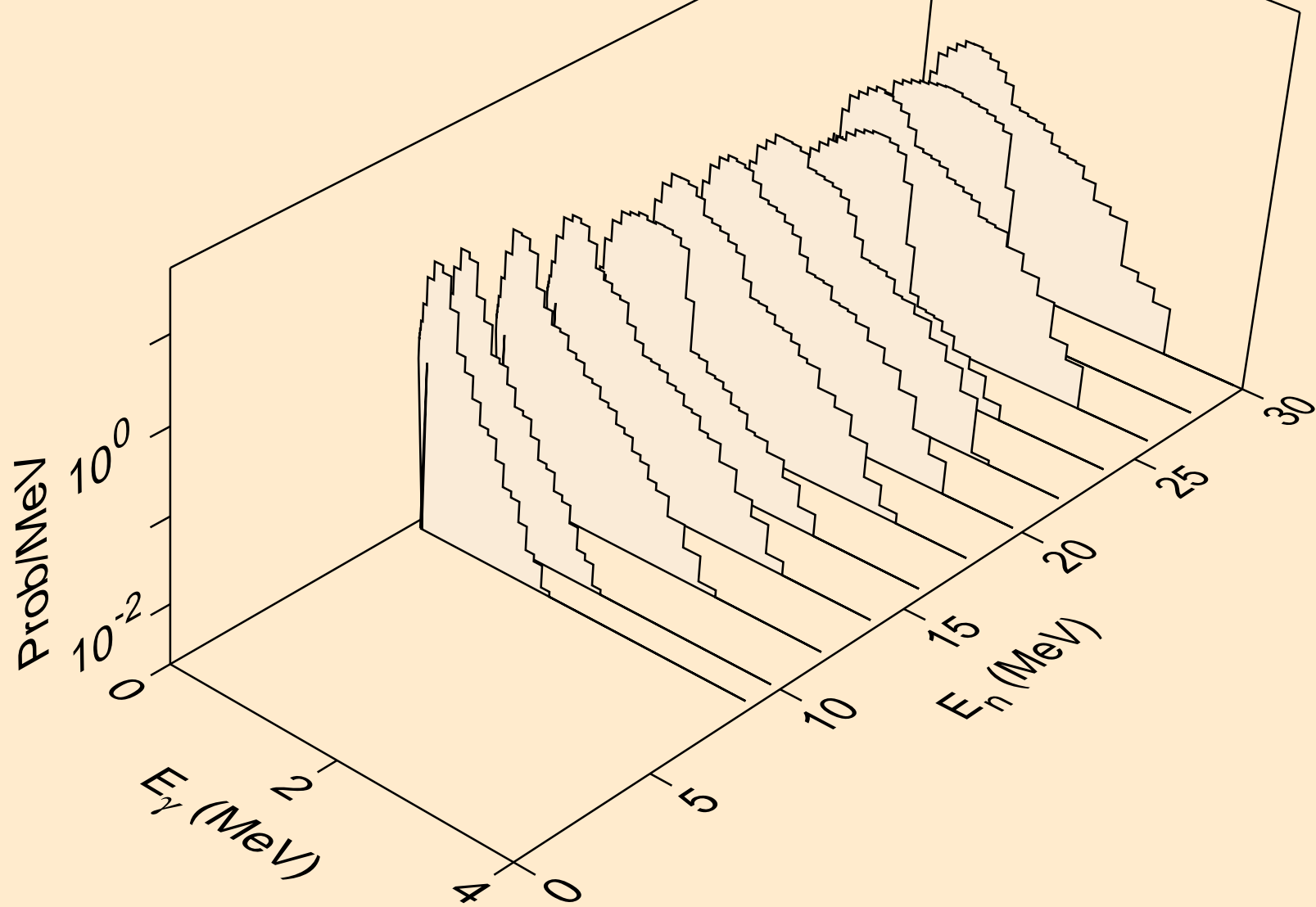
DB255 DEUTERON ACER TENDL-2021 LIBRARY; T=0.K
Photon emission for (n,2np)



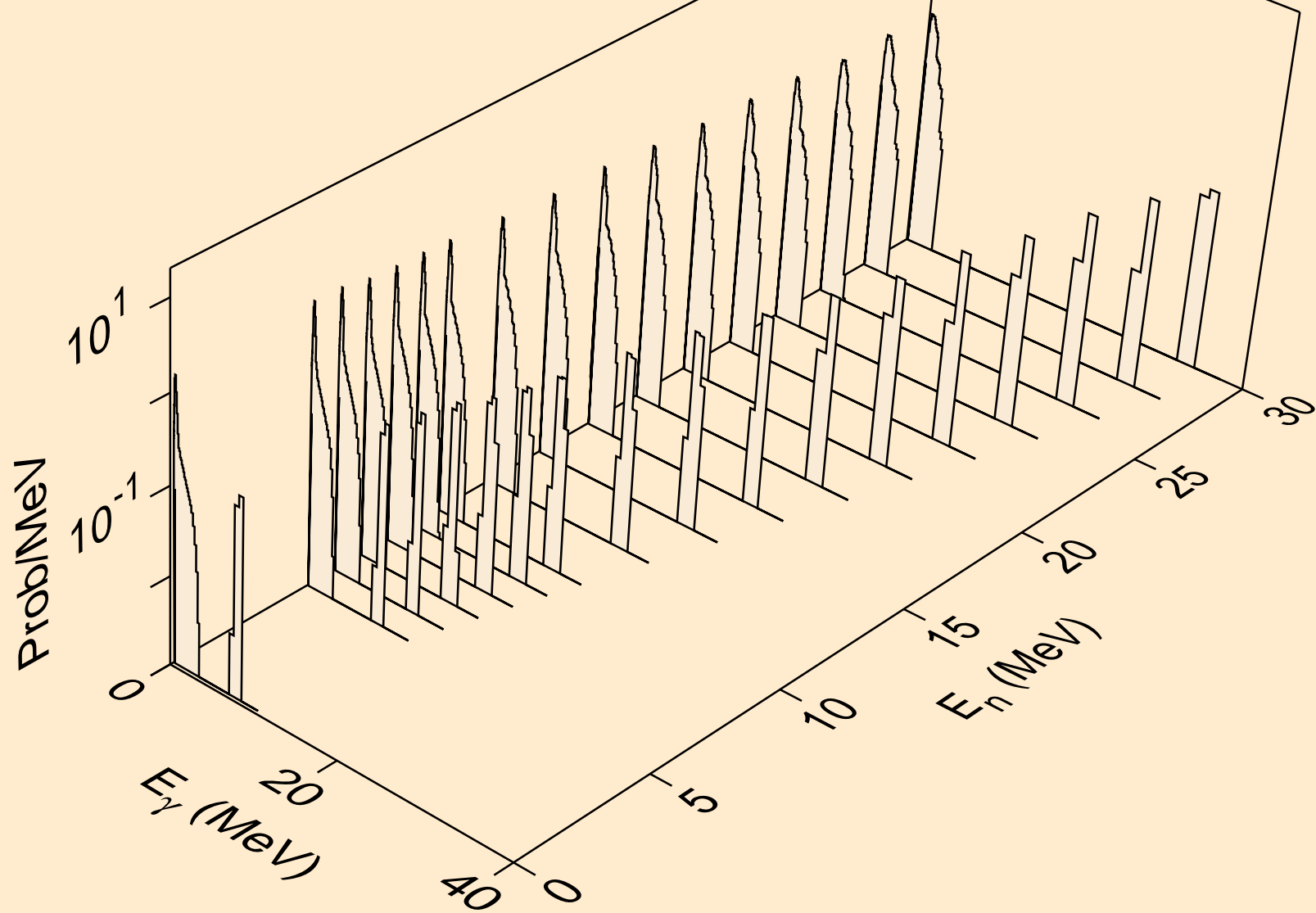
DB255 DEUTERON ACER TENDL-2021 LIBRARY; T=0.K
Photon emission for (n,2np)



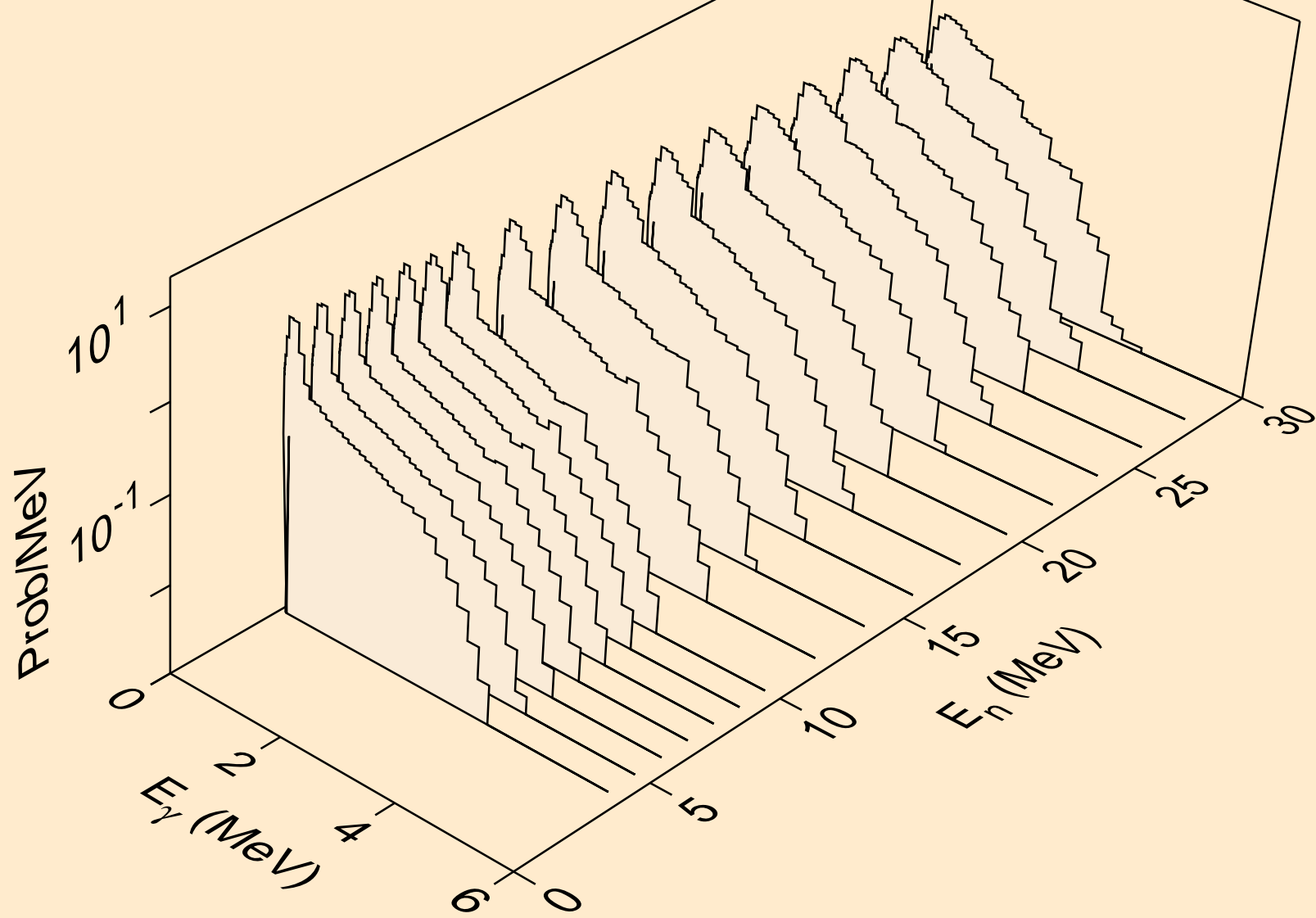
DB255 DEUTERON ACER TENDL-2021 LIBRARY; T=0.K
Photon emission for (n,npa)



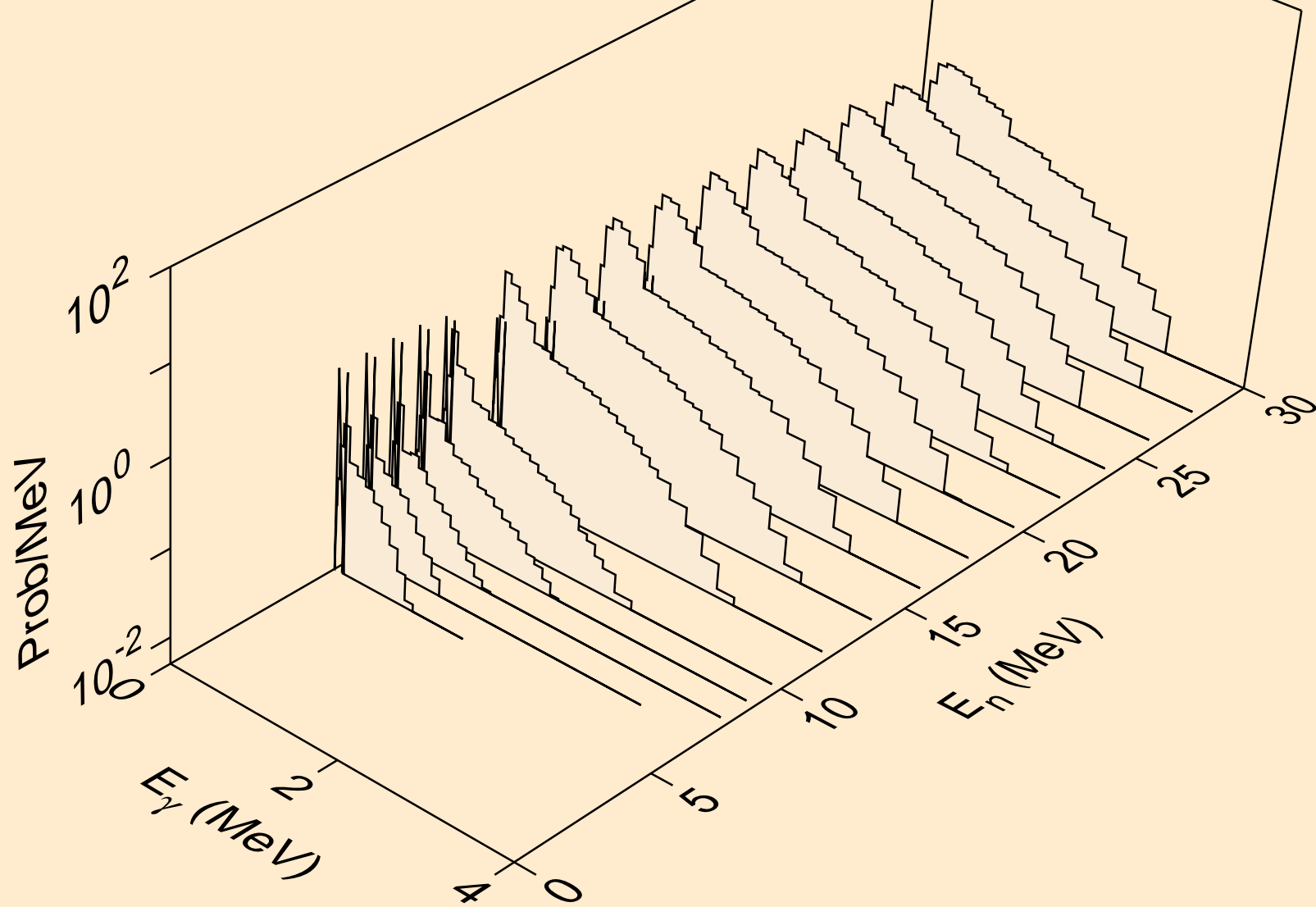
DB255 DEUTERON ACER TENDL-2021 LIBRARY; T=0.K
Photon emission for (n,gma)



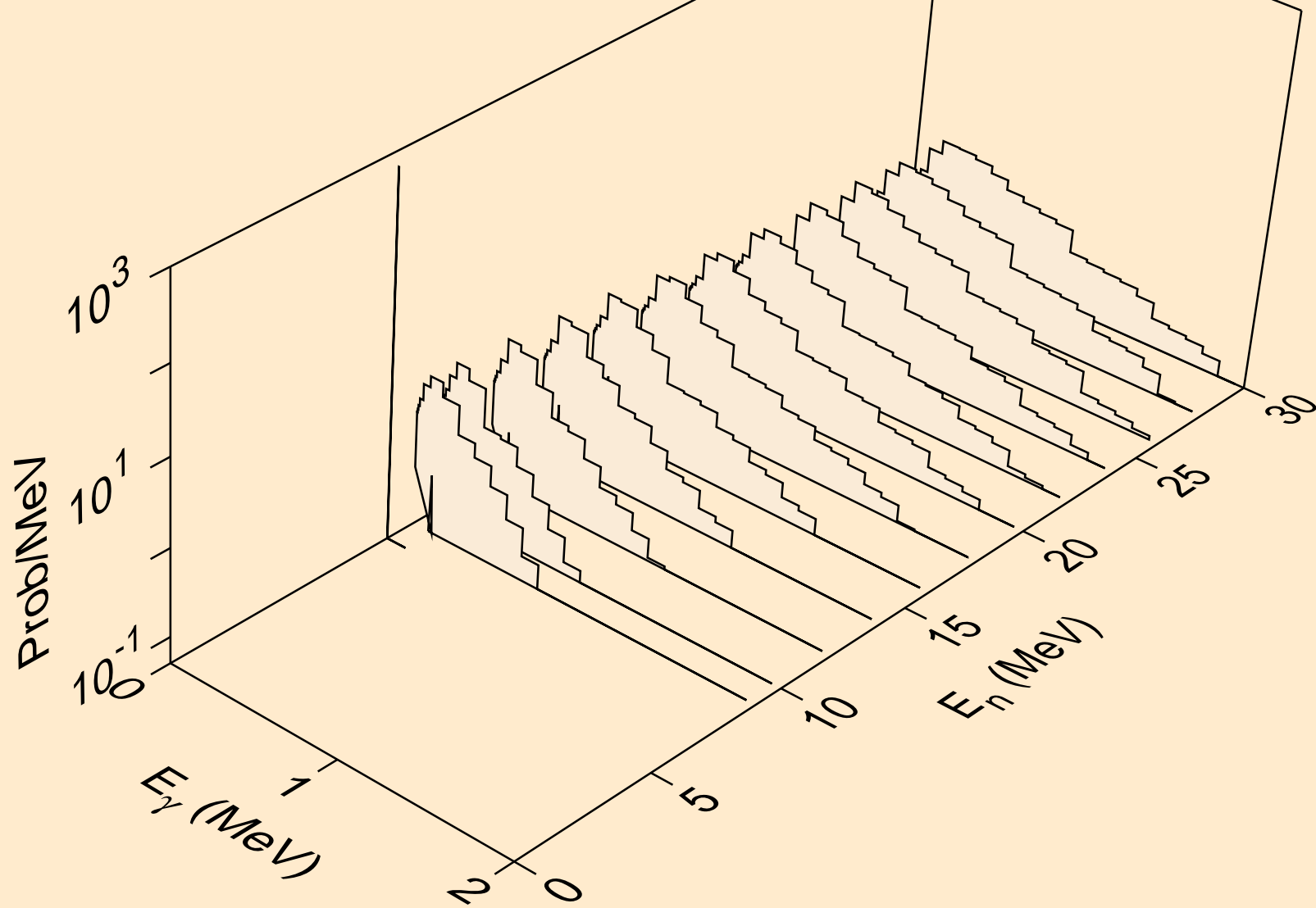
DB255 DEUTERON ACER TENDL-2021 LIBRARY; T=0.K
Photon emission for (n,p)



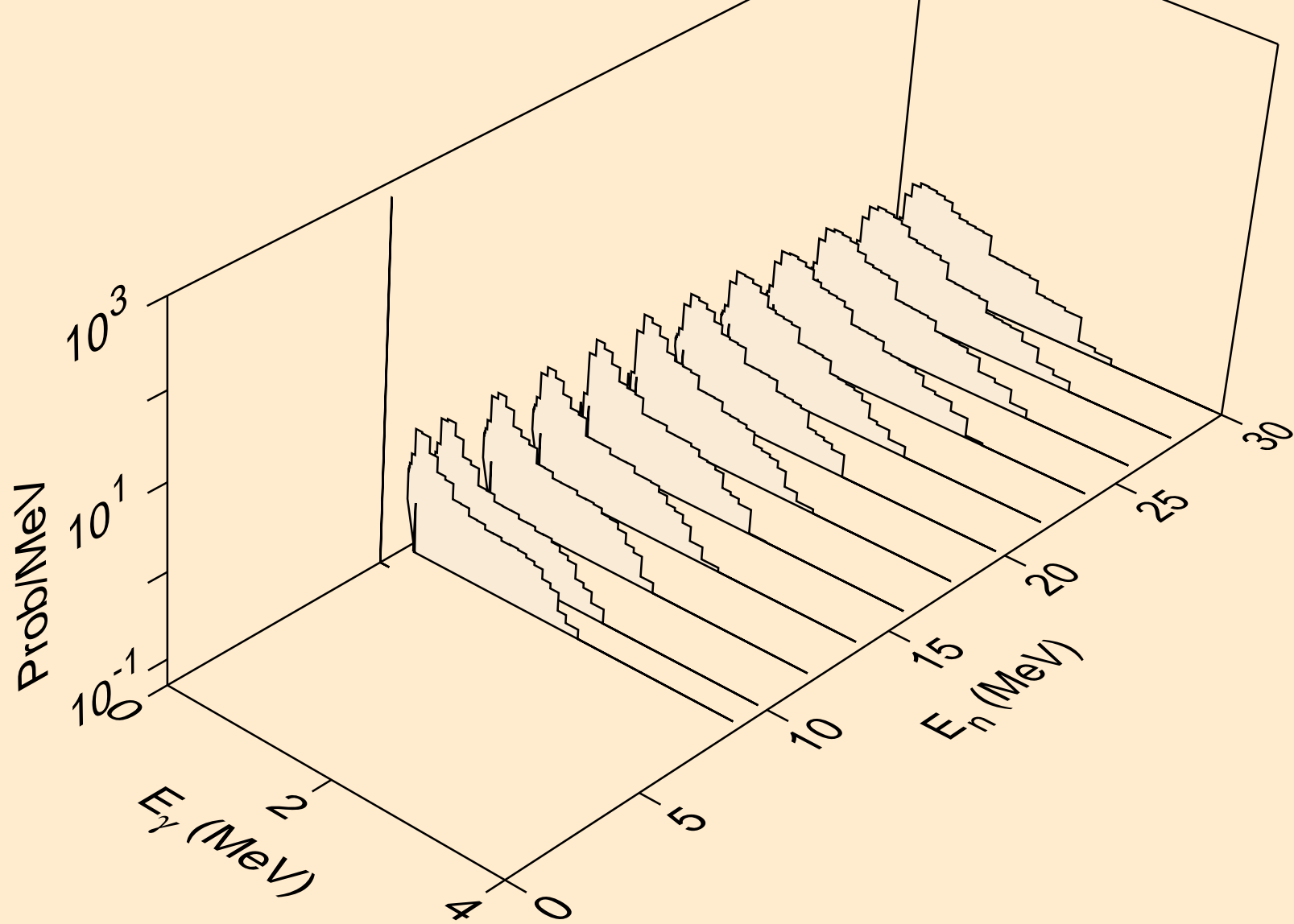
DB255 DEUTERON ACER TENDL-2021 LIBRARY; T=0.K
Photon emission for inelastic



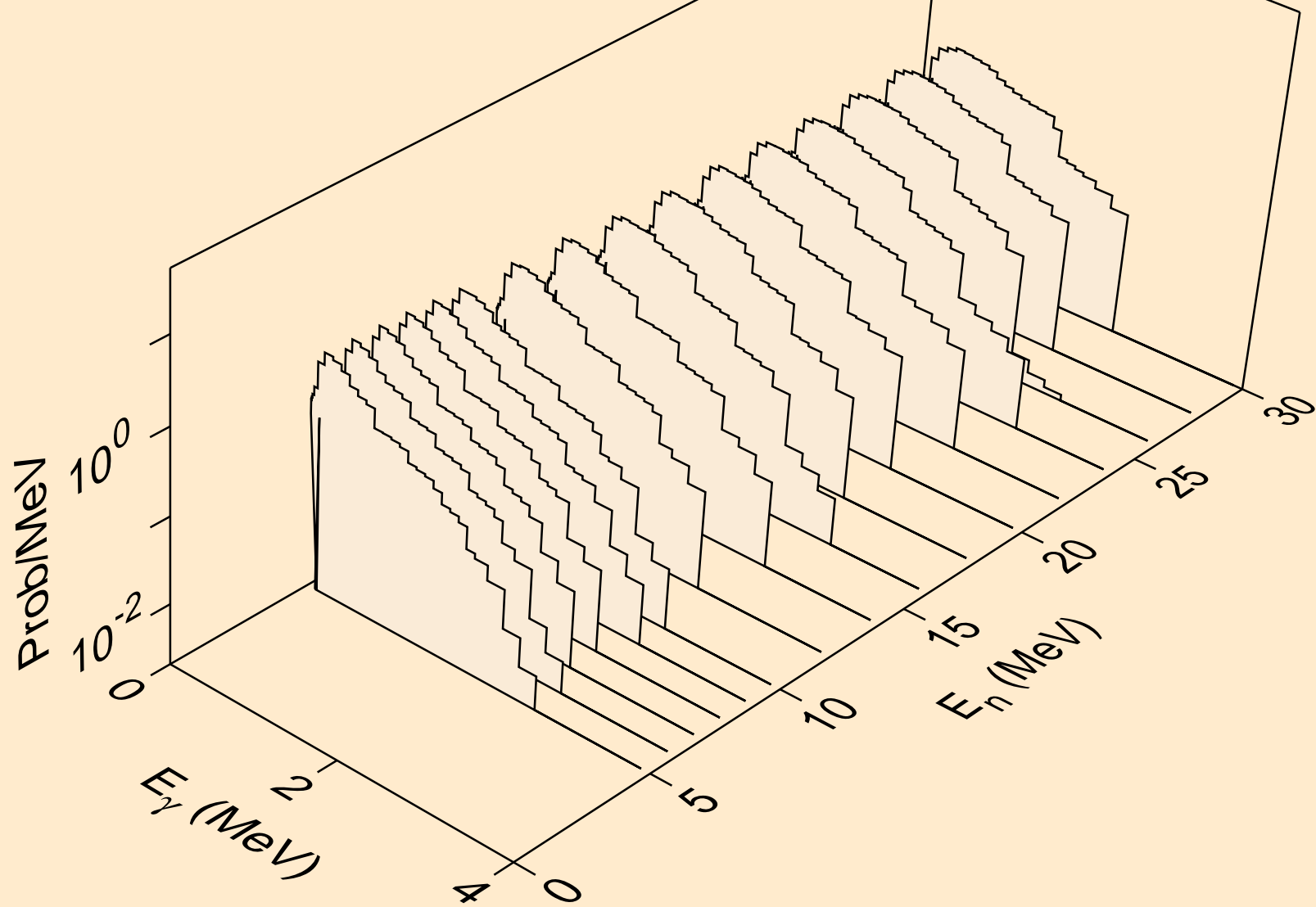
DB255 DEUTERON ACER TENDL-2021 LIBRARY; T=0.K
Photon emission for (n,t)



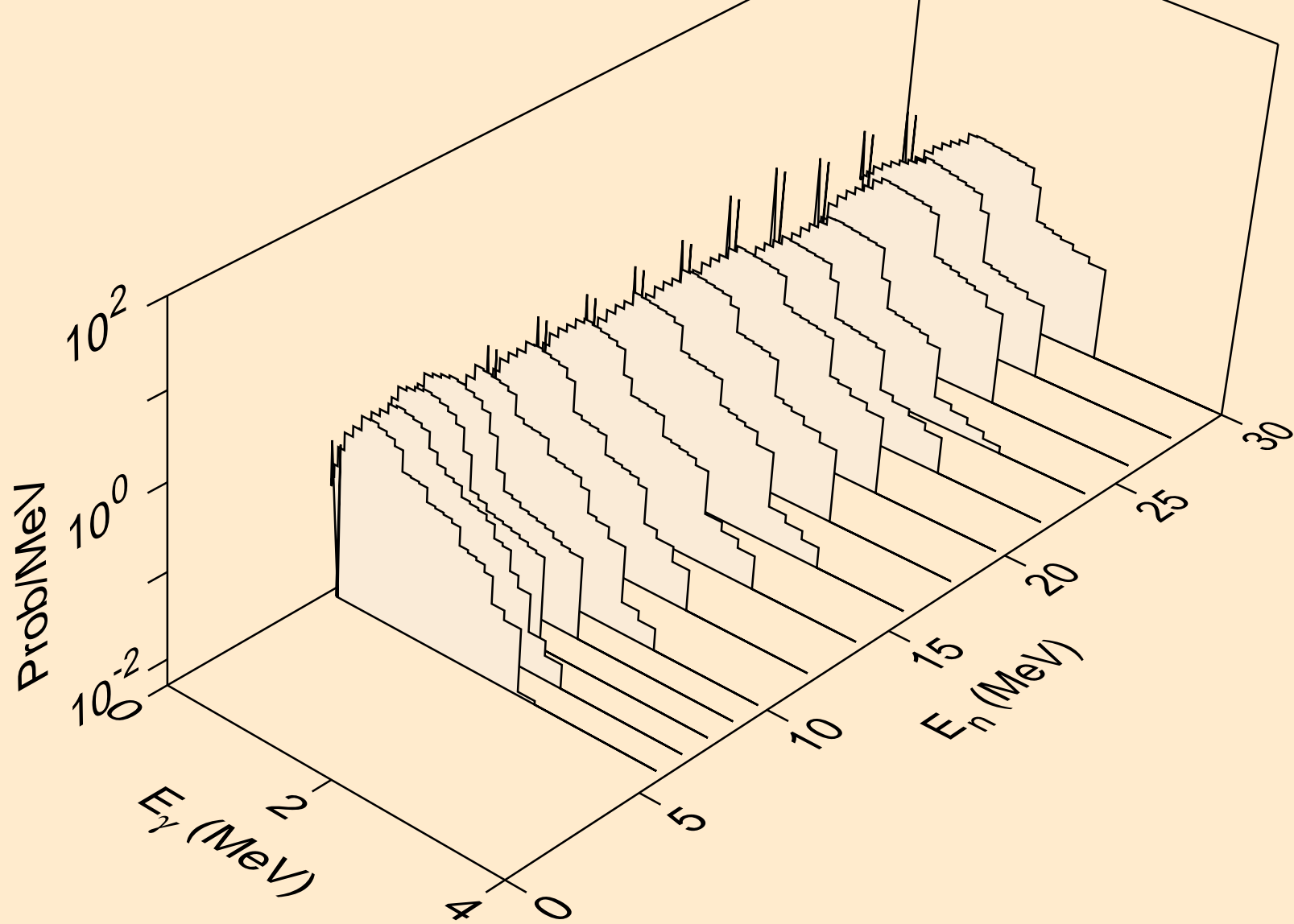
DB255 DEUTERON ACER TENDL-2021 LIBRARY; T=0.K
Photon emission for (n,he3)



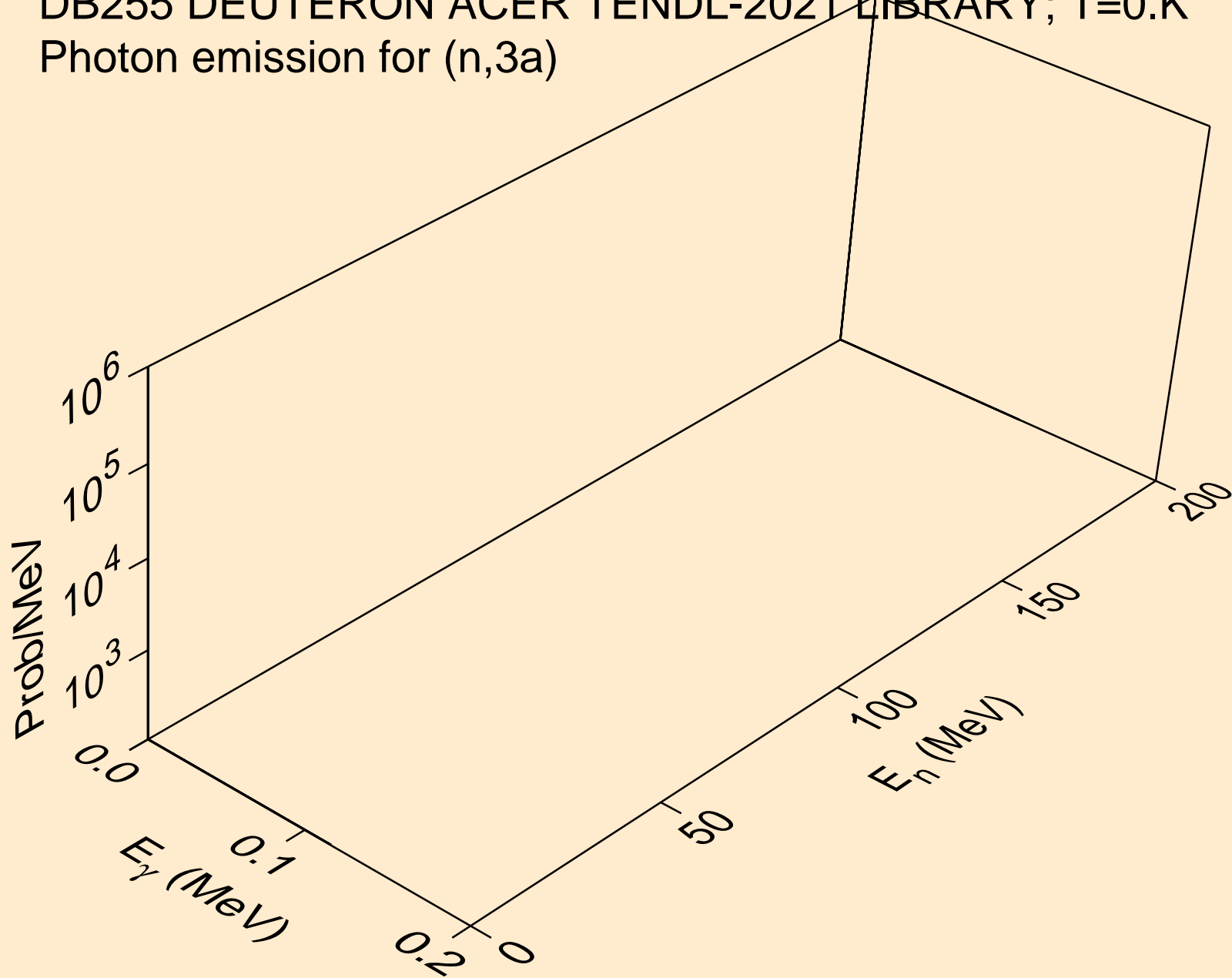
DB255 DEUTERON ACER TENDL-2021 LIBRARY; T=0.K
Photon emission for (n,a)



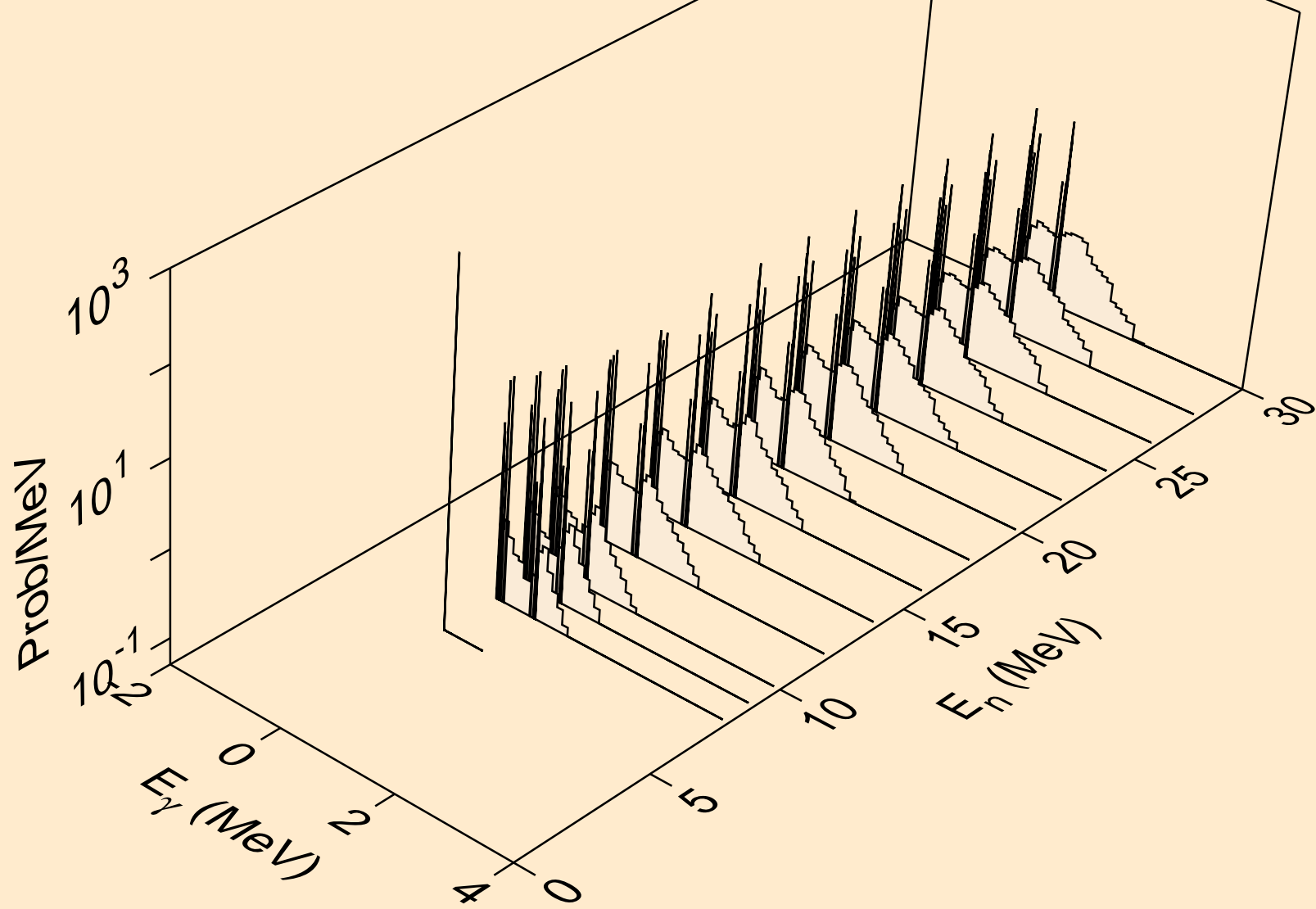
DB255 DEUTERON ACER TENDL-2021 LIBRARY; T=0.K
Photon emission for (n,2a)



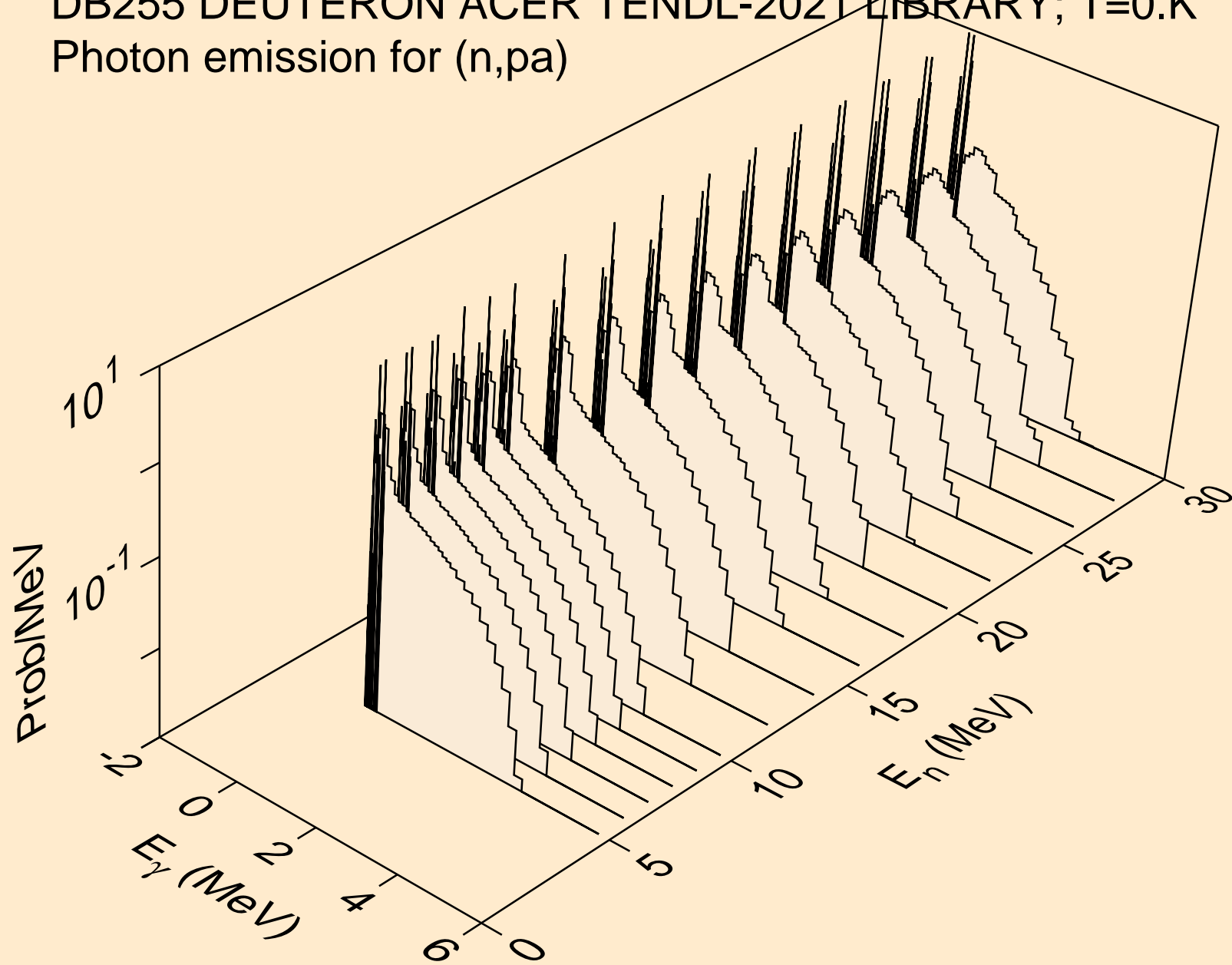
DB255 DEUTERON ACER TENDL-2021 LIBRARY; T=0.K
Photon emission for (n,3a)



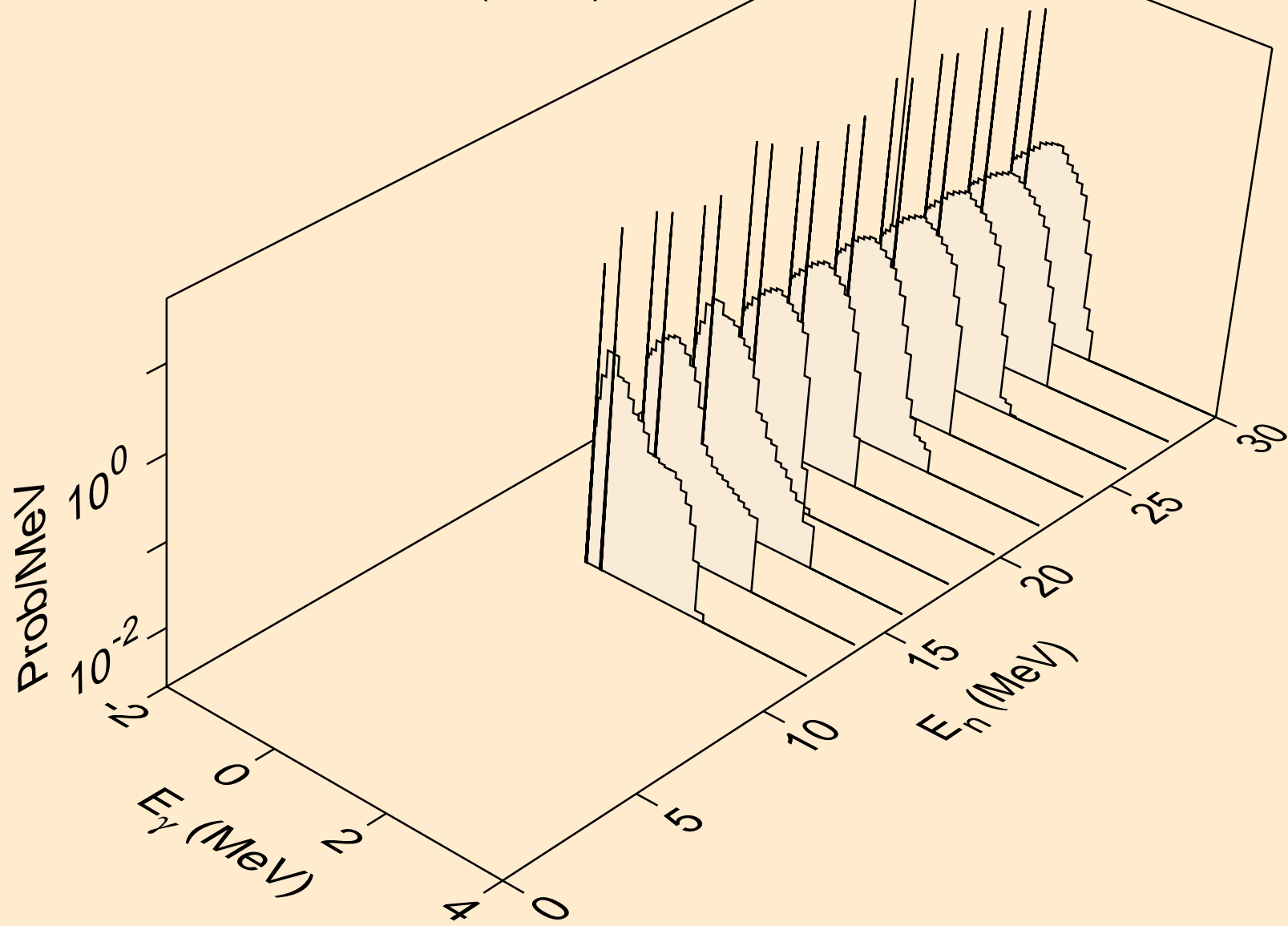
DB255 DEUTERON ACER TENDL-2021 LIBRARY; T=0.K
Photon emission for (n,2p)



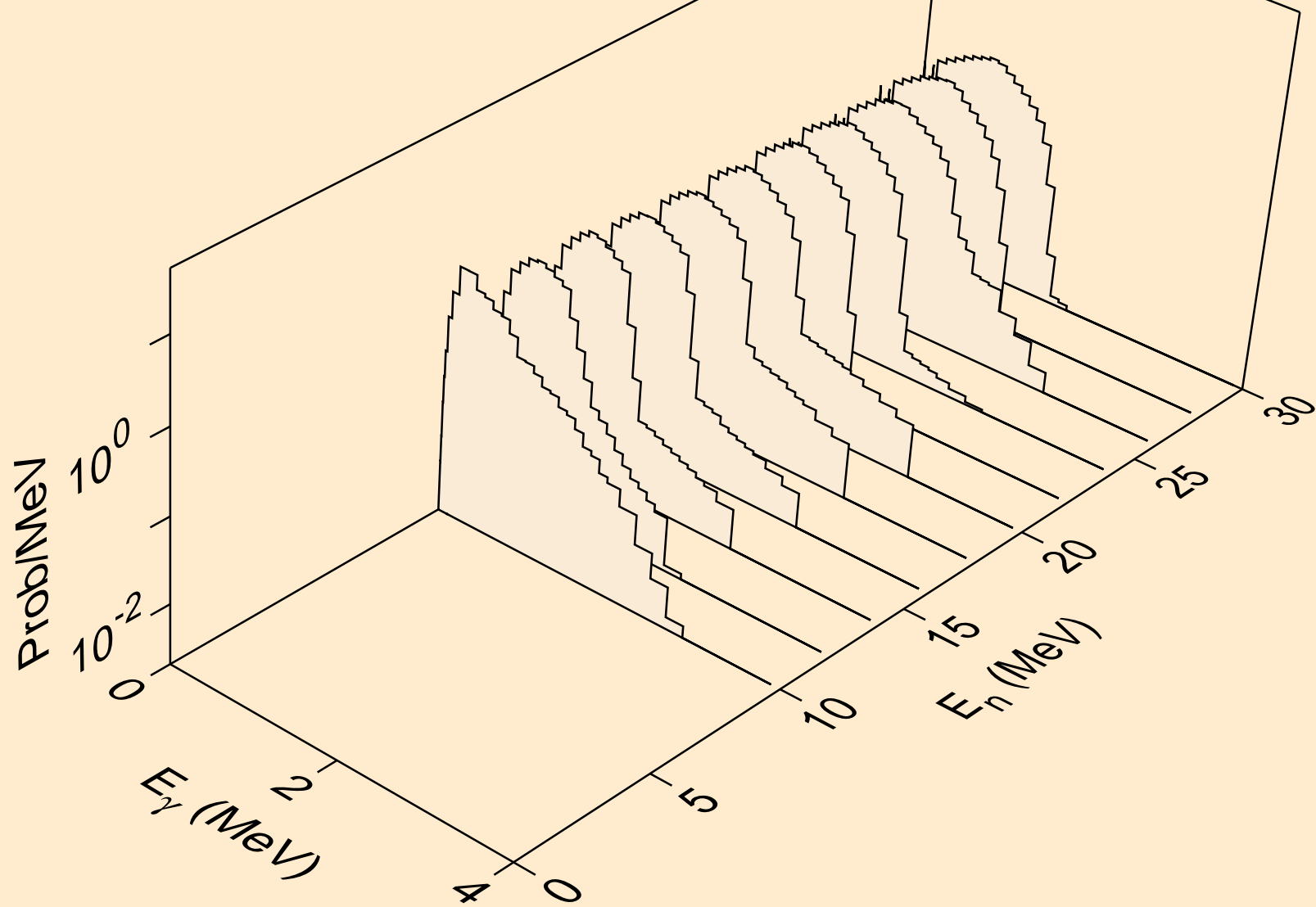
DB255 DEUTERON ACER TENDL-2021 LIBRARY; T=0.K
Photon emission for (n,p)



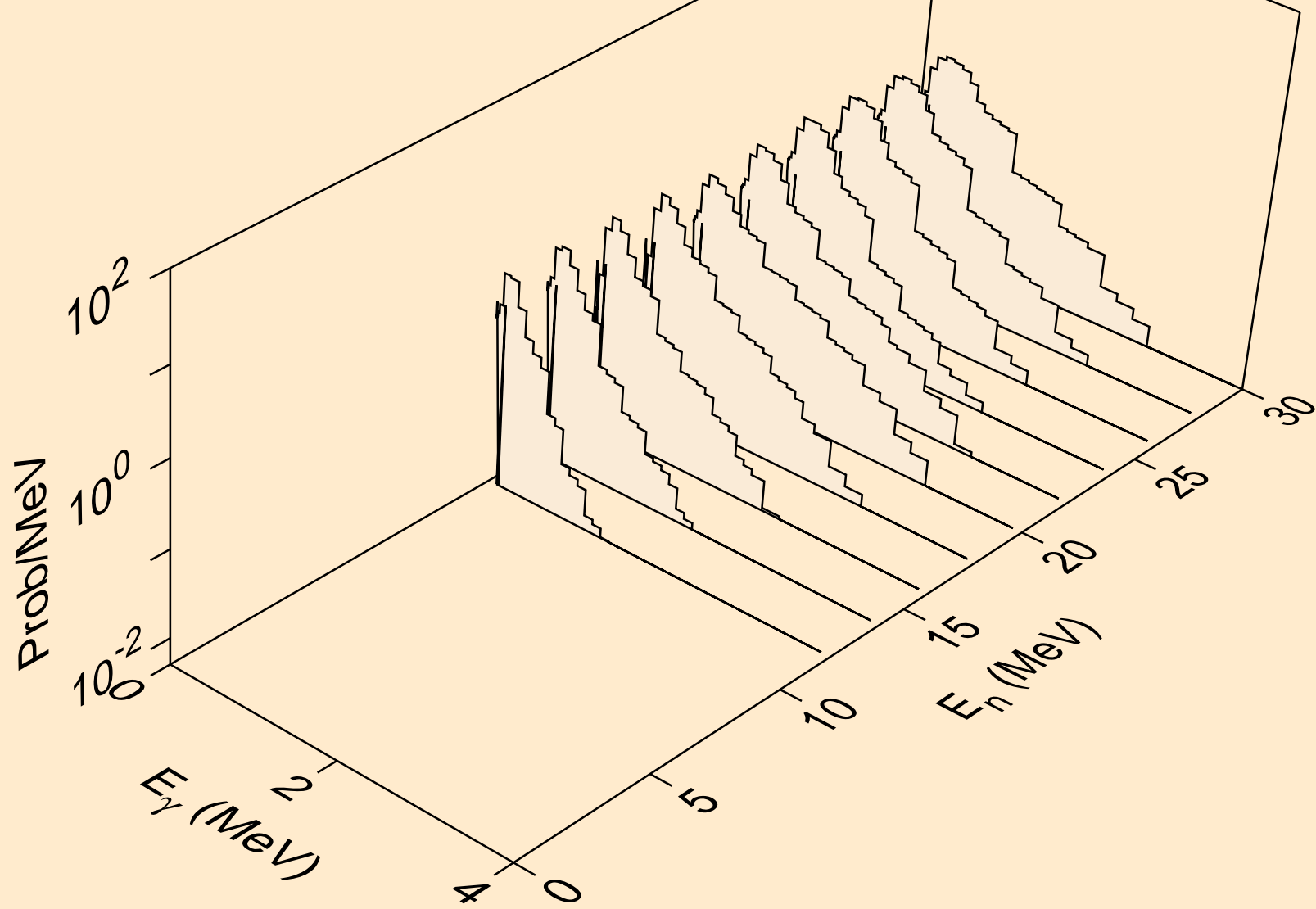
DB255 DEUTERON ACER TENDL-2021 LIBRARY; T=0.K
Photon emission for (n,t2a)



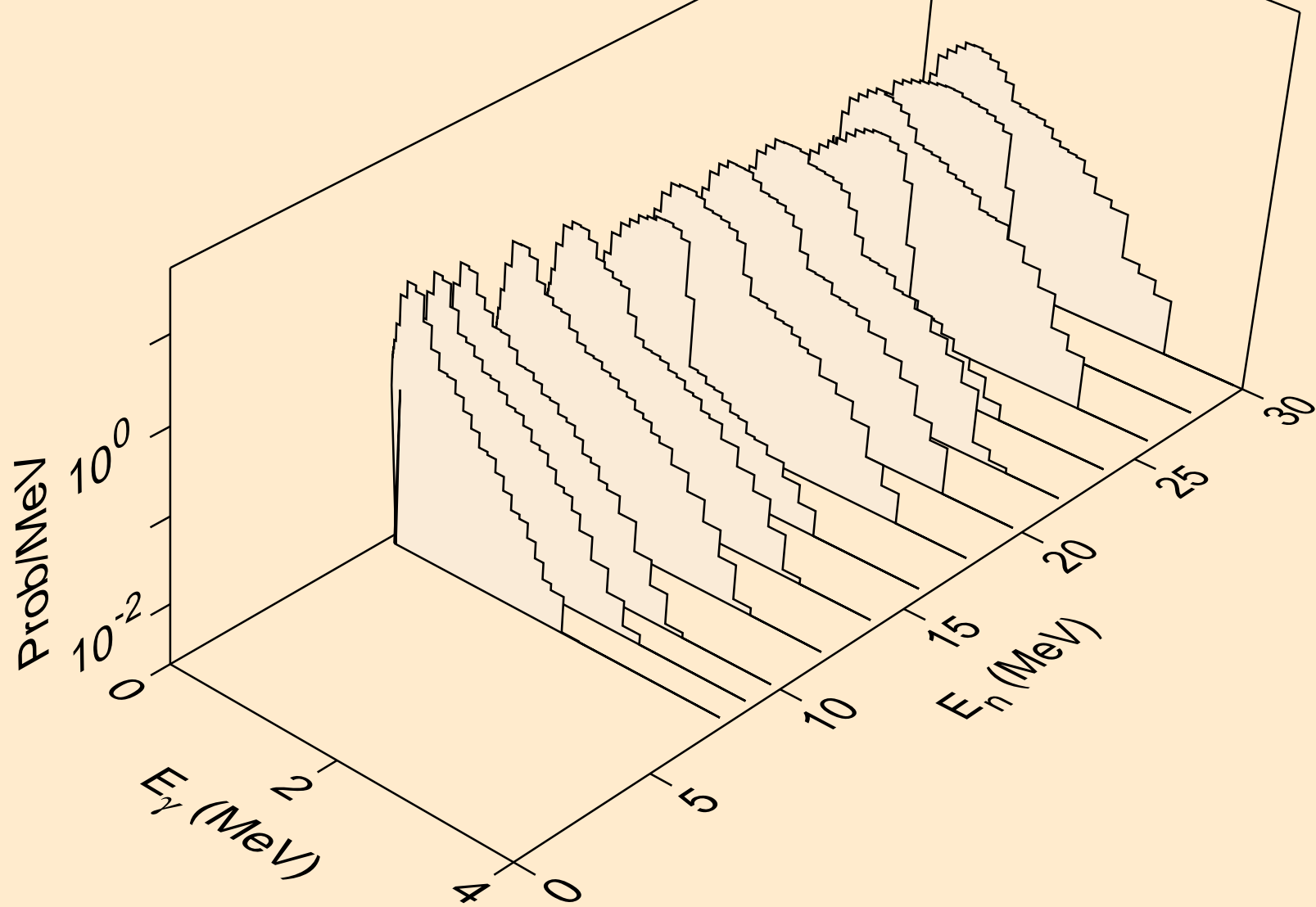
DB255 DEUTERON ACER TENDL-2021 LIBRARY; T=0.K
Photon emission for (n,d2a)



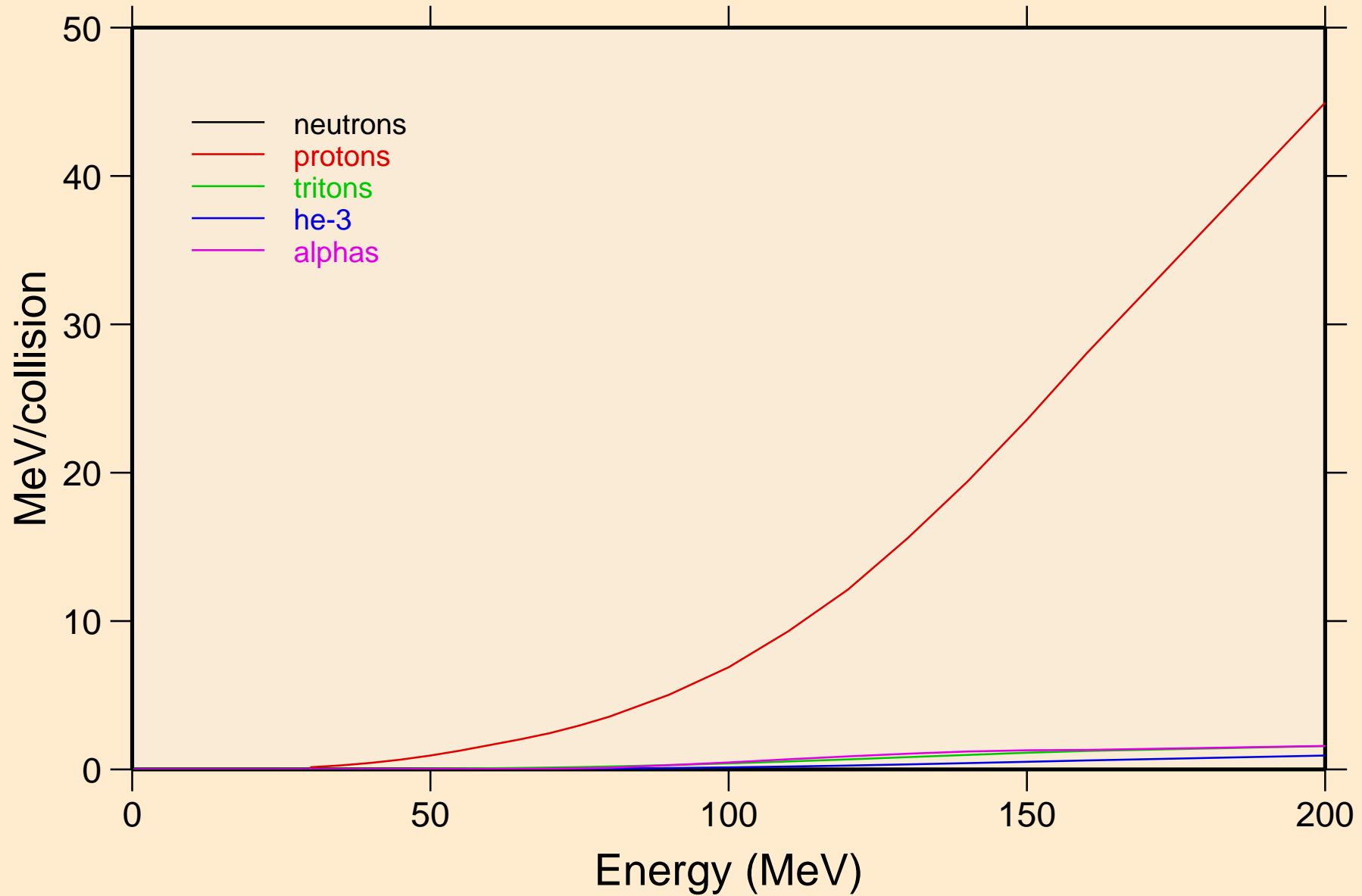
DB255 DEUTERON ACER TENDL-2021 LIBRARY; T=0.K
Photon emission for (n,pd)



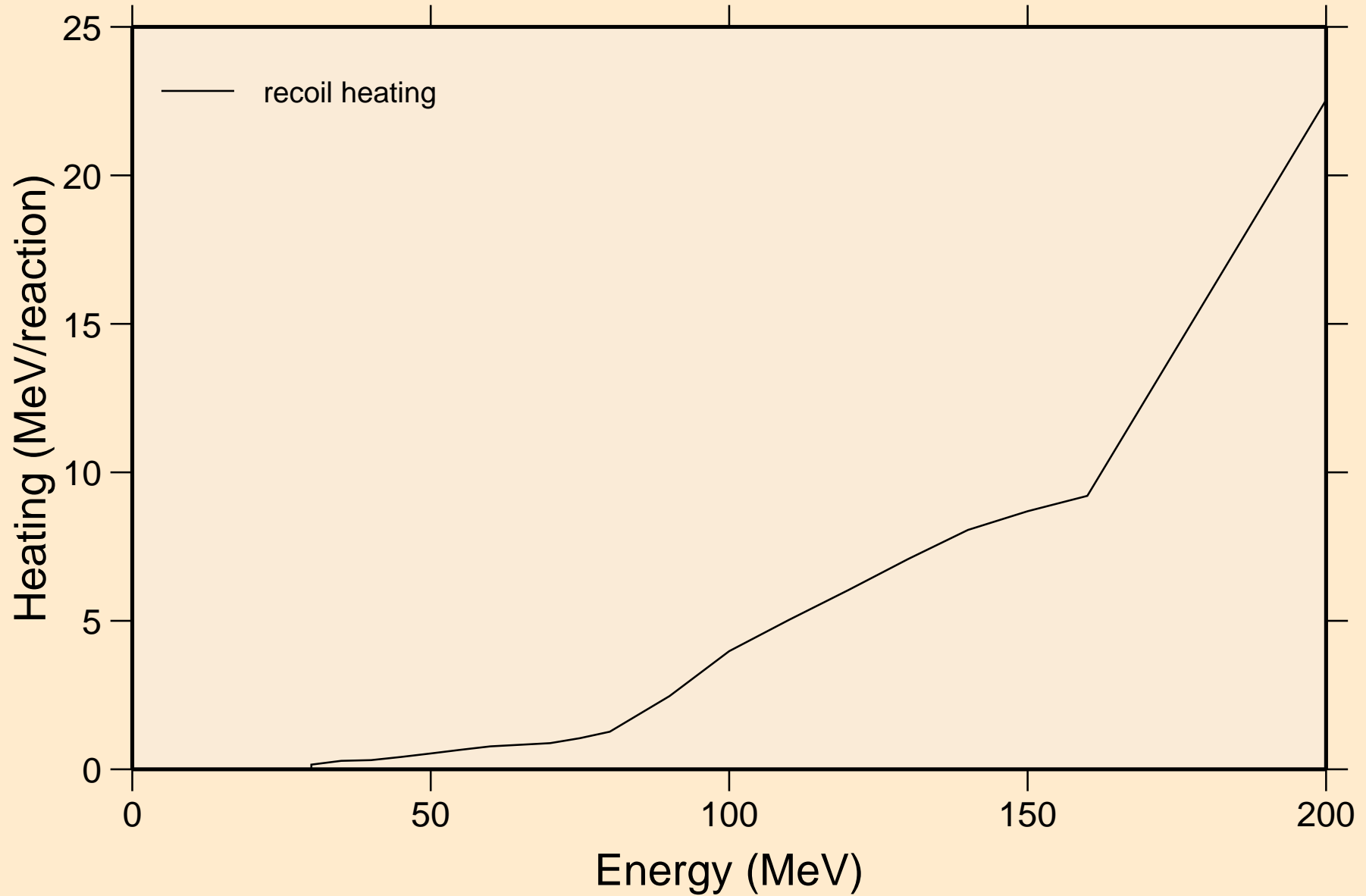
DB255 DEUTERON ACER TENDL-2021 LIBRARY; T=0.K
Photon emission for (n,da)



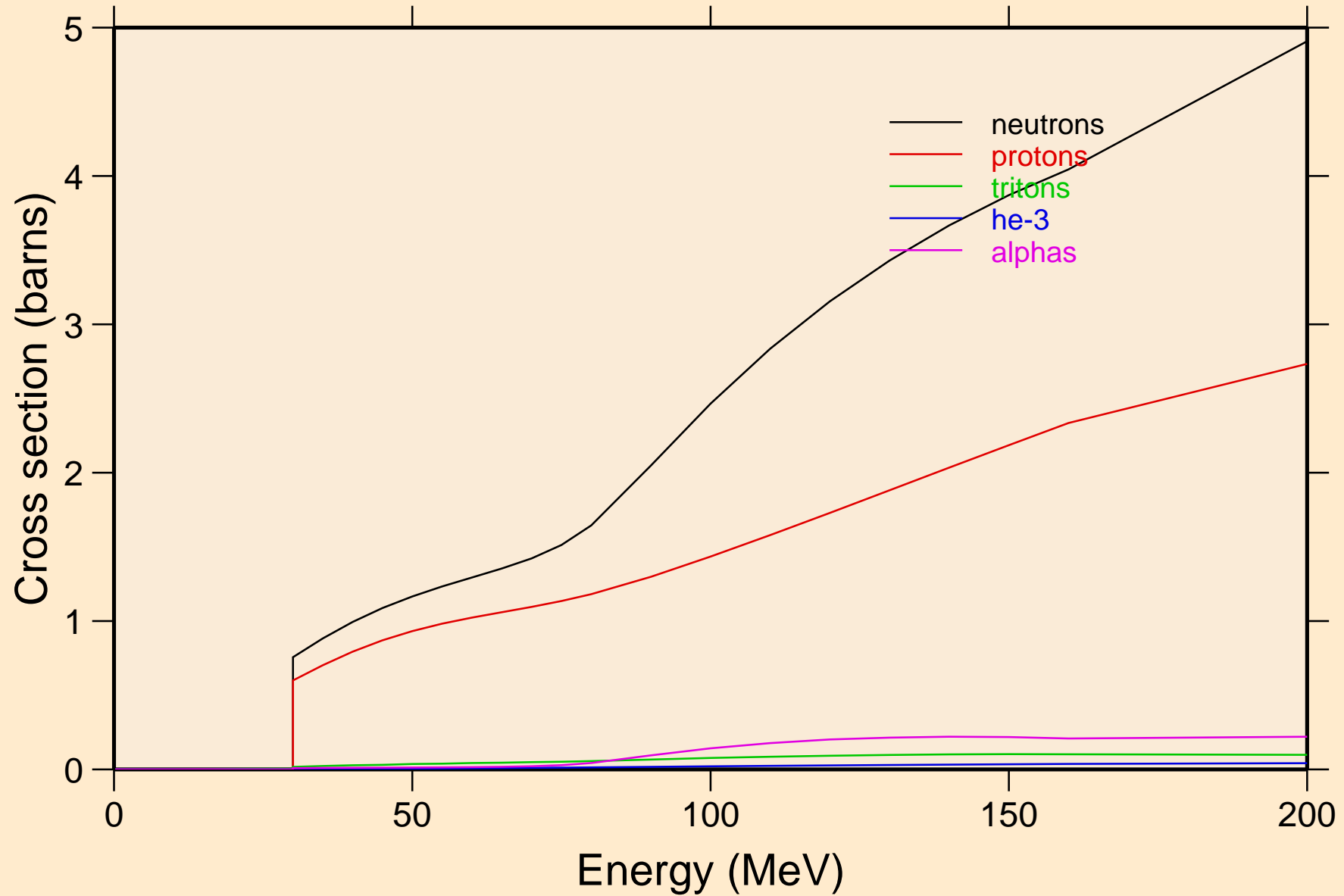
DB255 DEUTERON ACER TENDL-2021 LIBRARY; T=0.K
Particle heating contributions



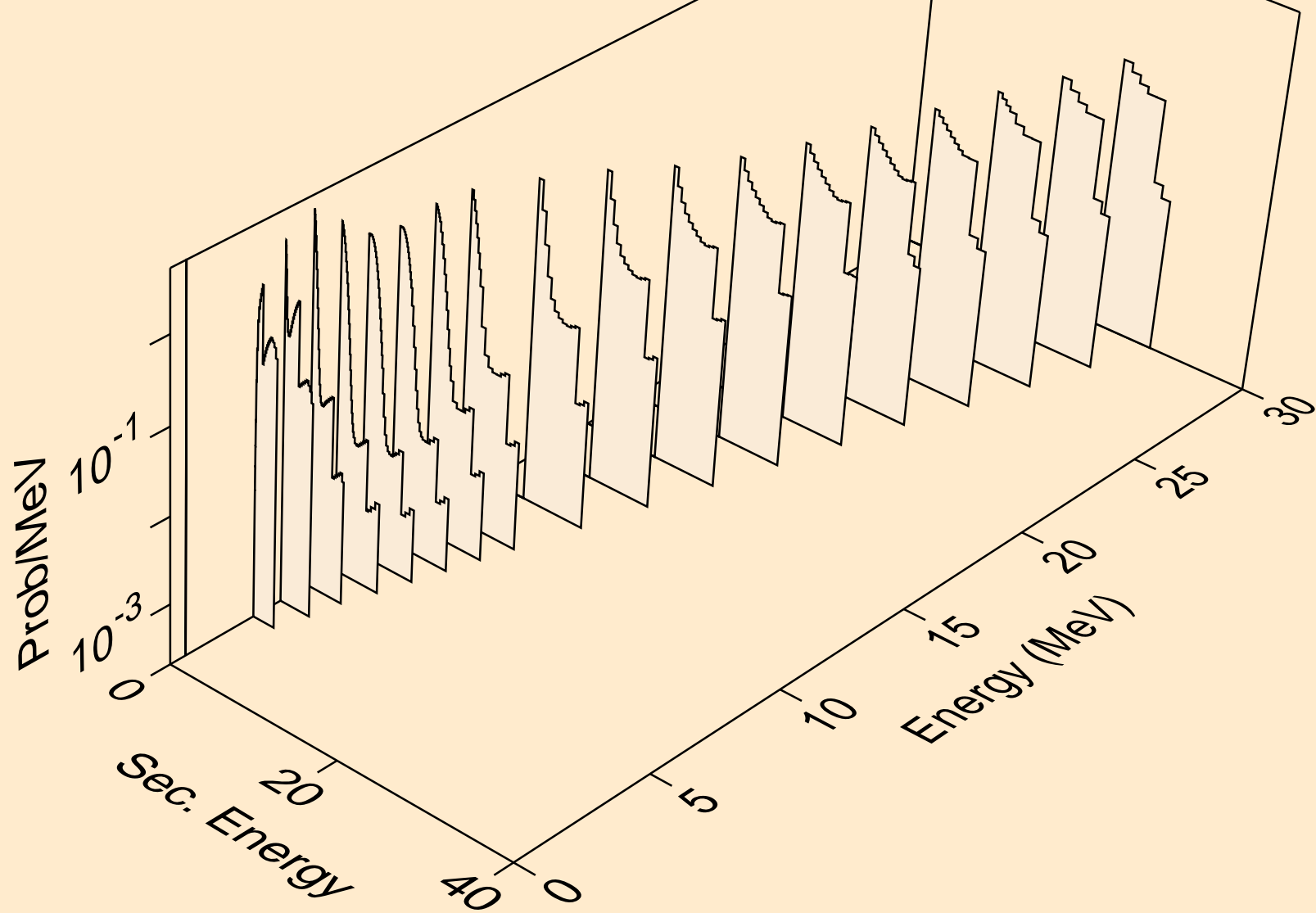
DB255 DEUTERON ACER TENDL-2021 LIBRARY; T=0.K
Recoil Heating



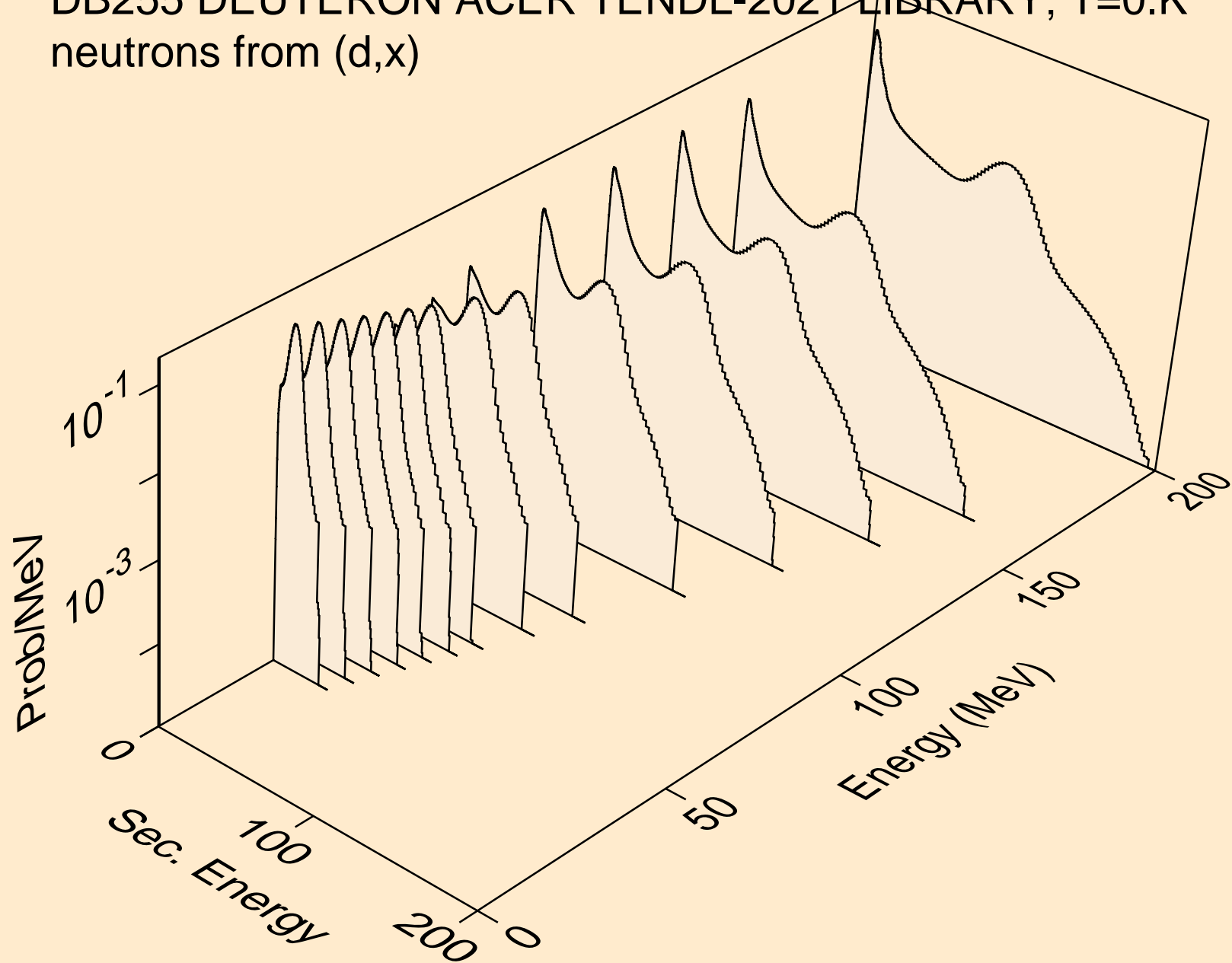
DB255 DEUTERON ACER TENDL-2021 LIBRARY; T=0.K
Particle production cross sections



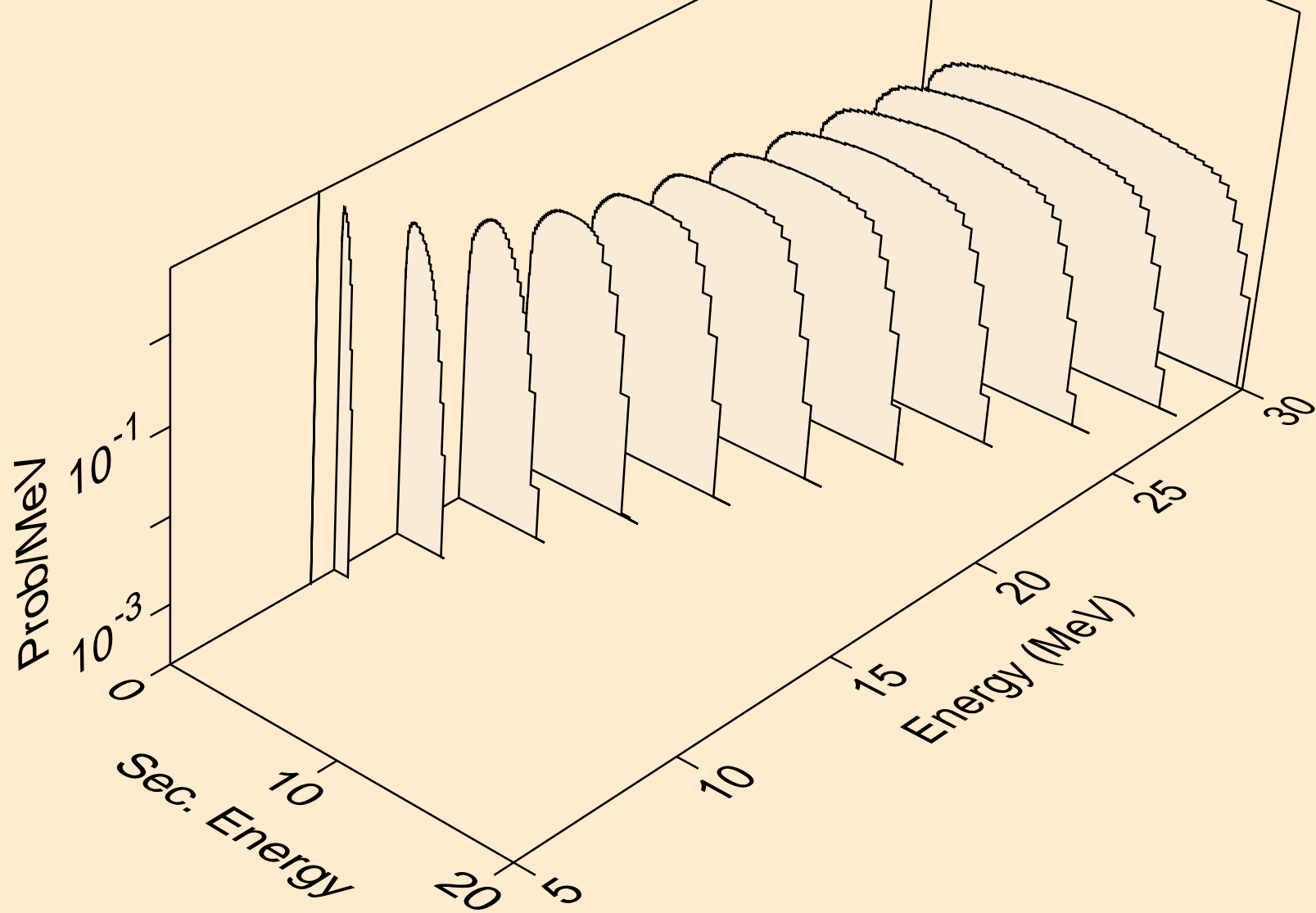
DB255 DEUTERON ACER TENDL-2021 LIBRARY; T=0.K
neutrons from (d,n)



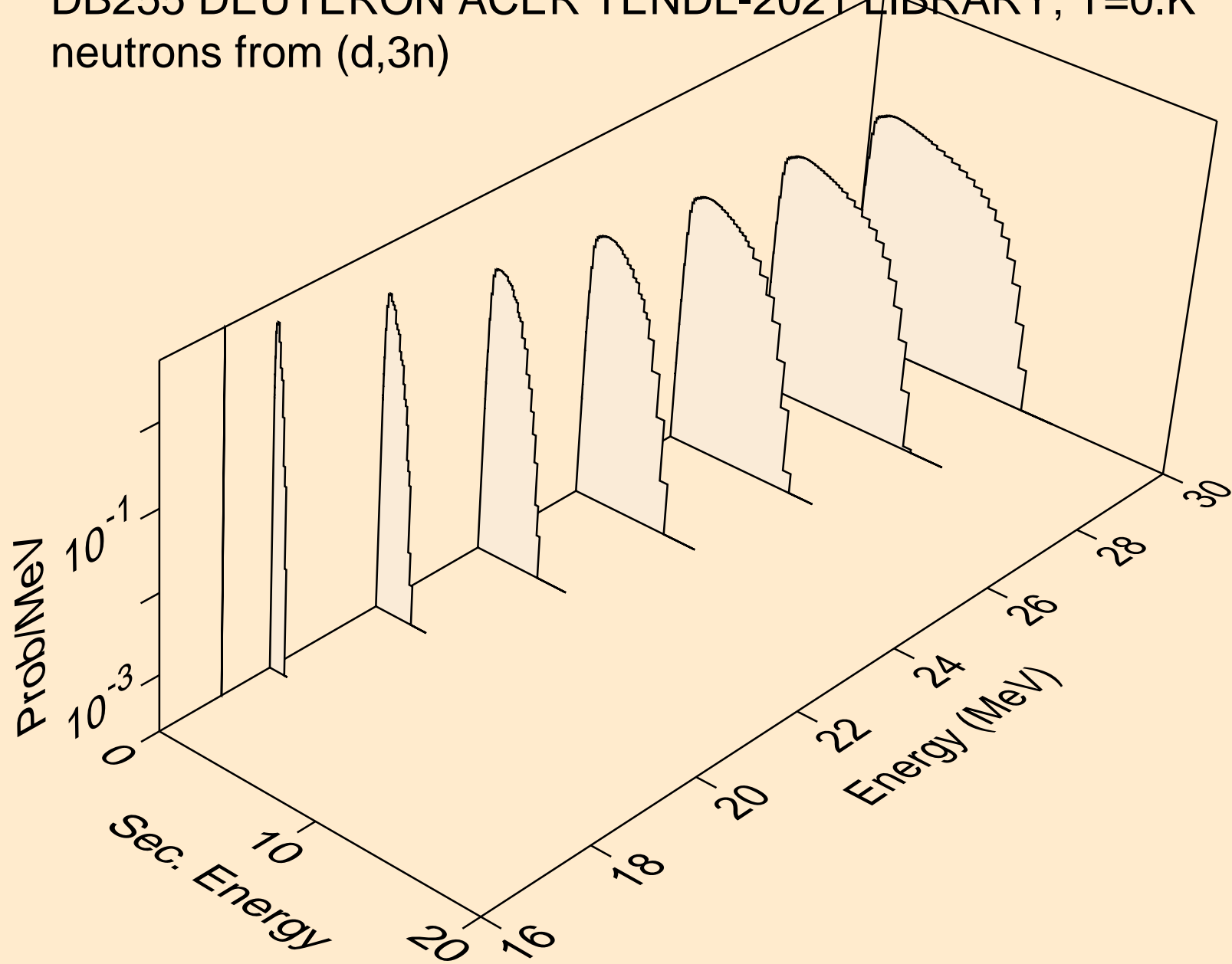
DB255 DEUTERON ACER TENDL-2021 LIBRARY; T=0.K
neutrons from (d,x)



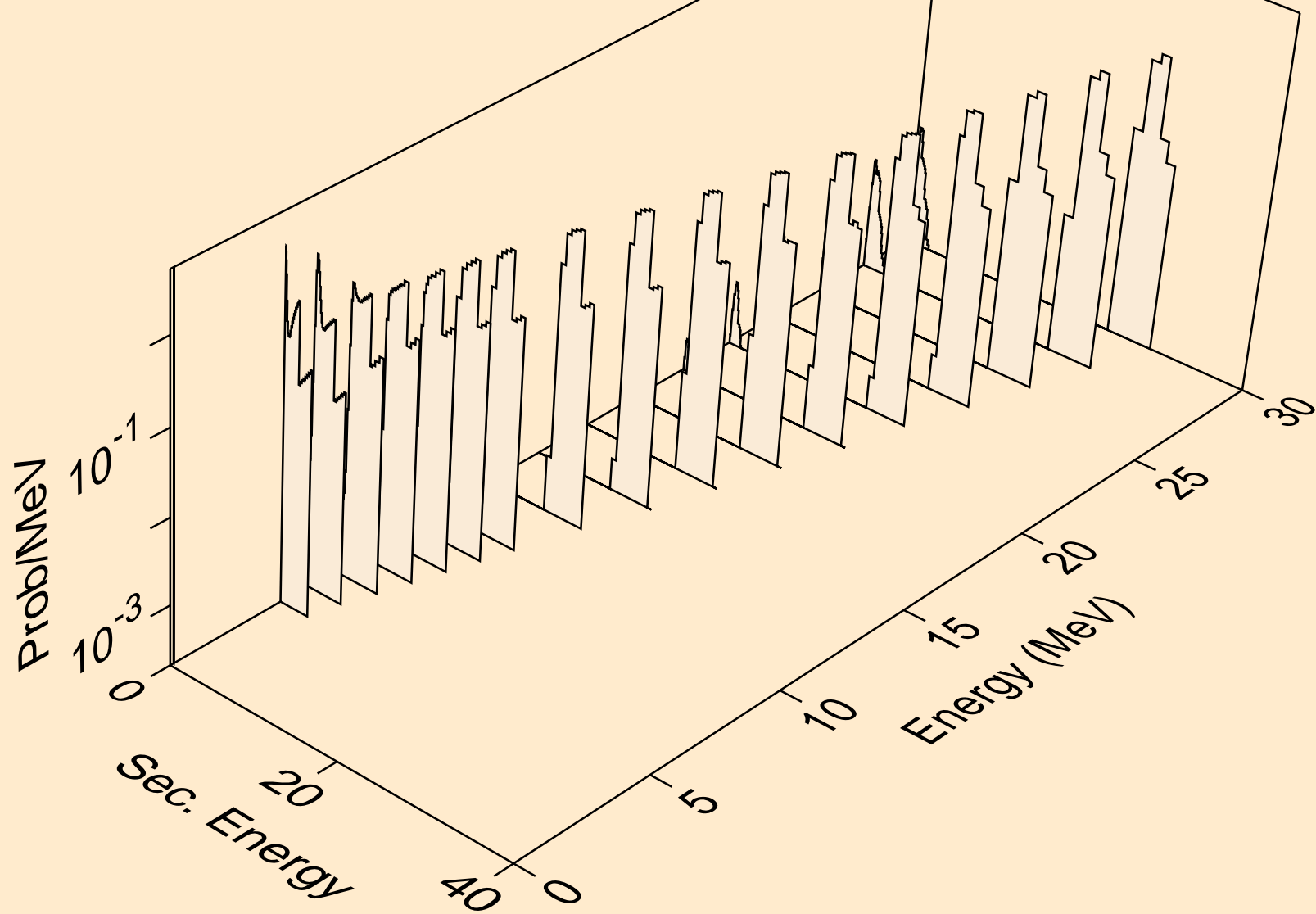
DB255 DEUTERON ACER TENDL-2021 LIBRARY; T=0.K
neutrons from (d,2n)



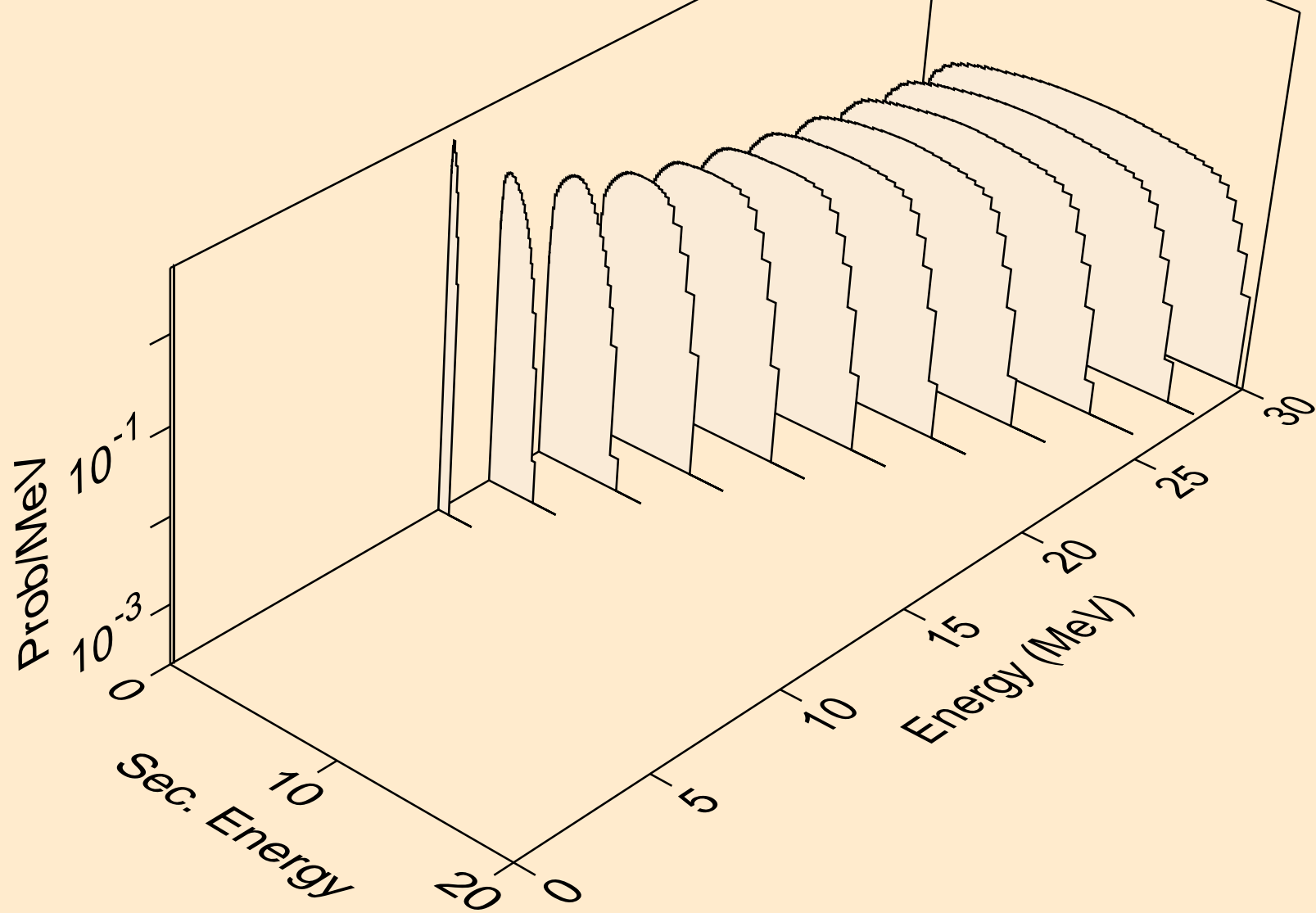
DB255 DEUTERON ACER TENDL-2021 LIBRARY; T=0.K
neutrons from (d,3n)



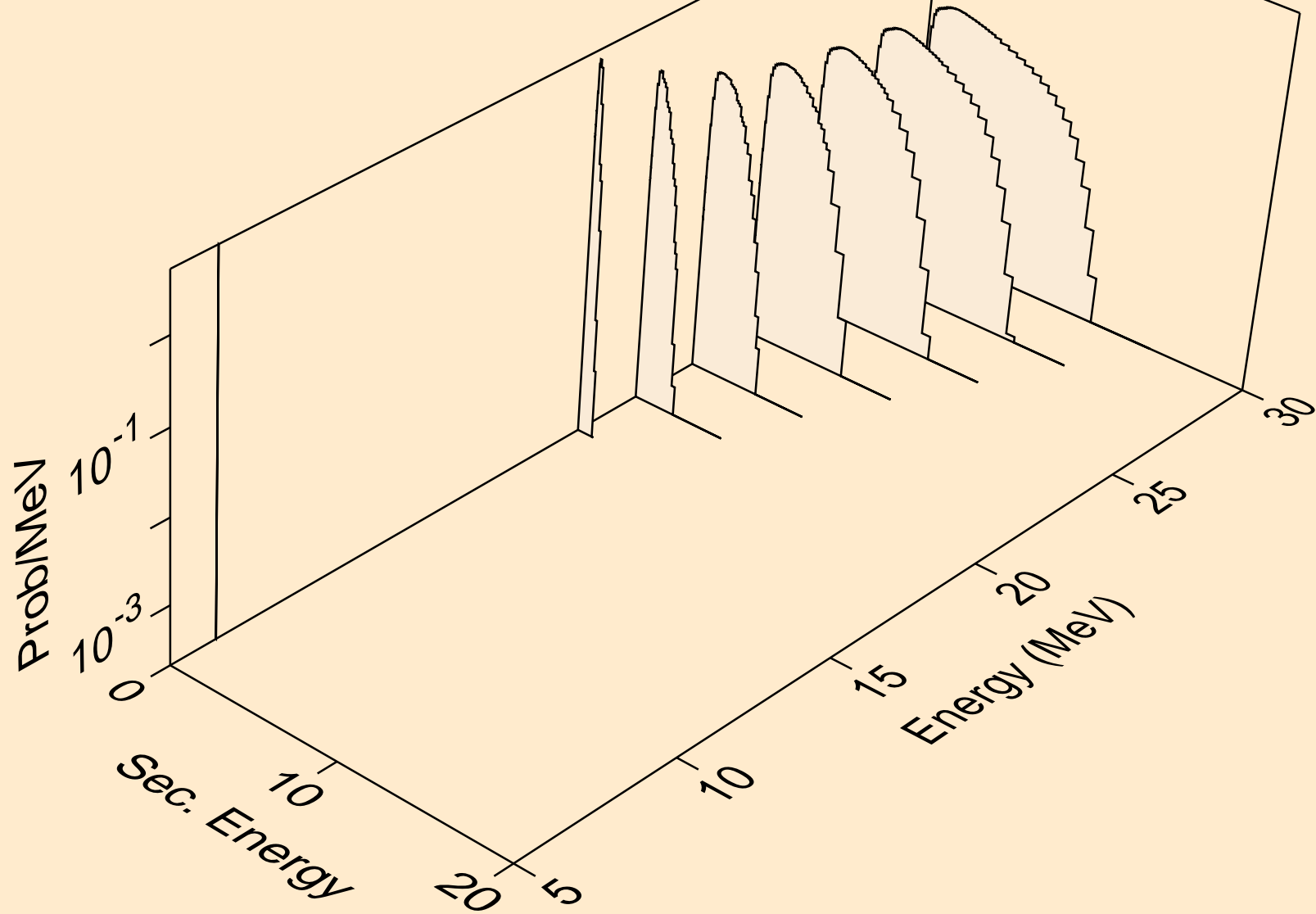
DB255 DEUTERON ACER TENDL-2021 LIBRARY; T=0.K
neutrons from (d,n*)a



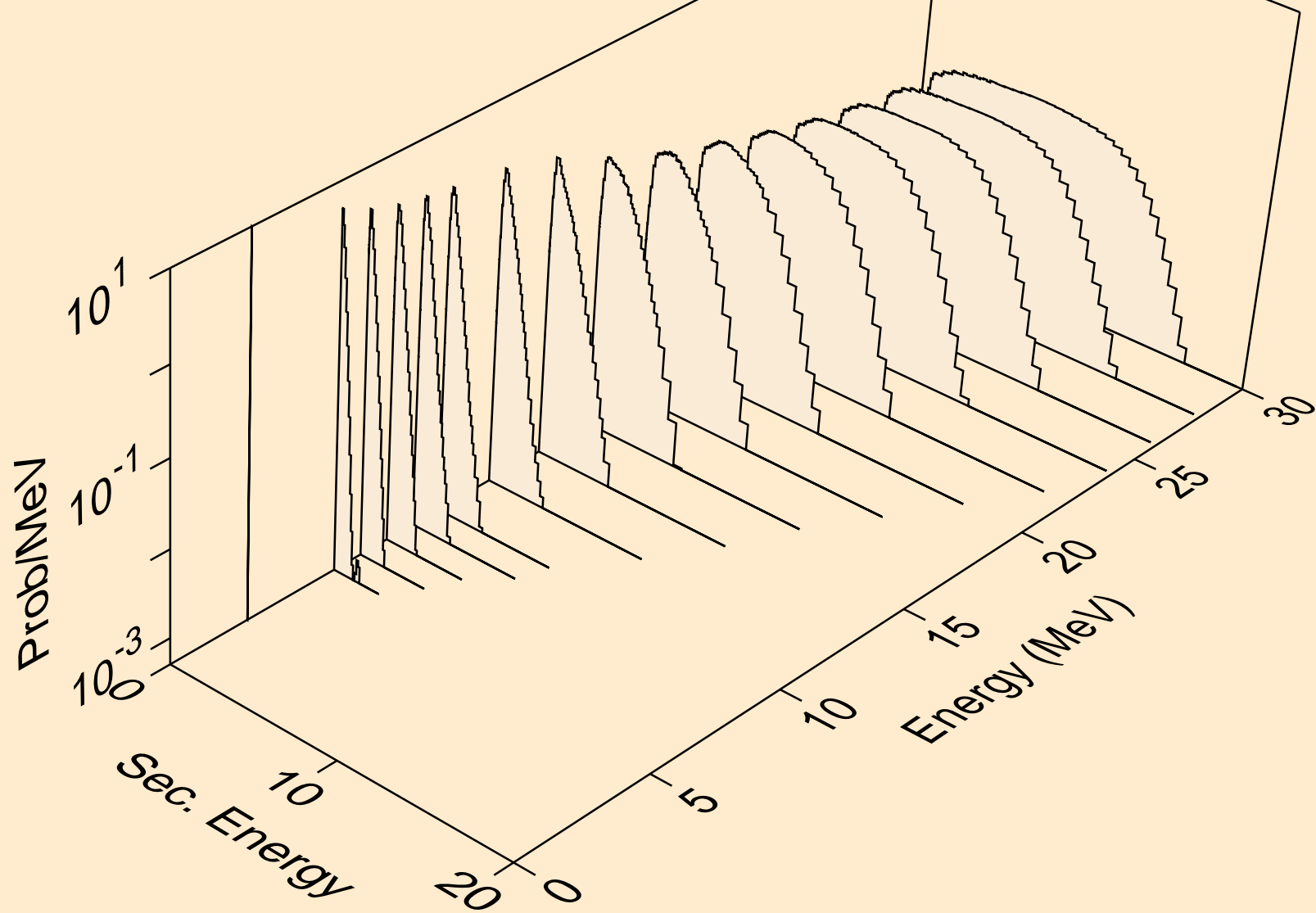
DB255 DEUTERON ACER TENDL-2021 LIBRARY; T=0.K
neutrons from (d,2n)a



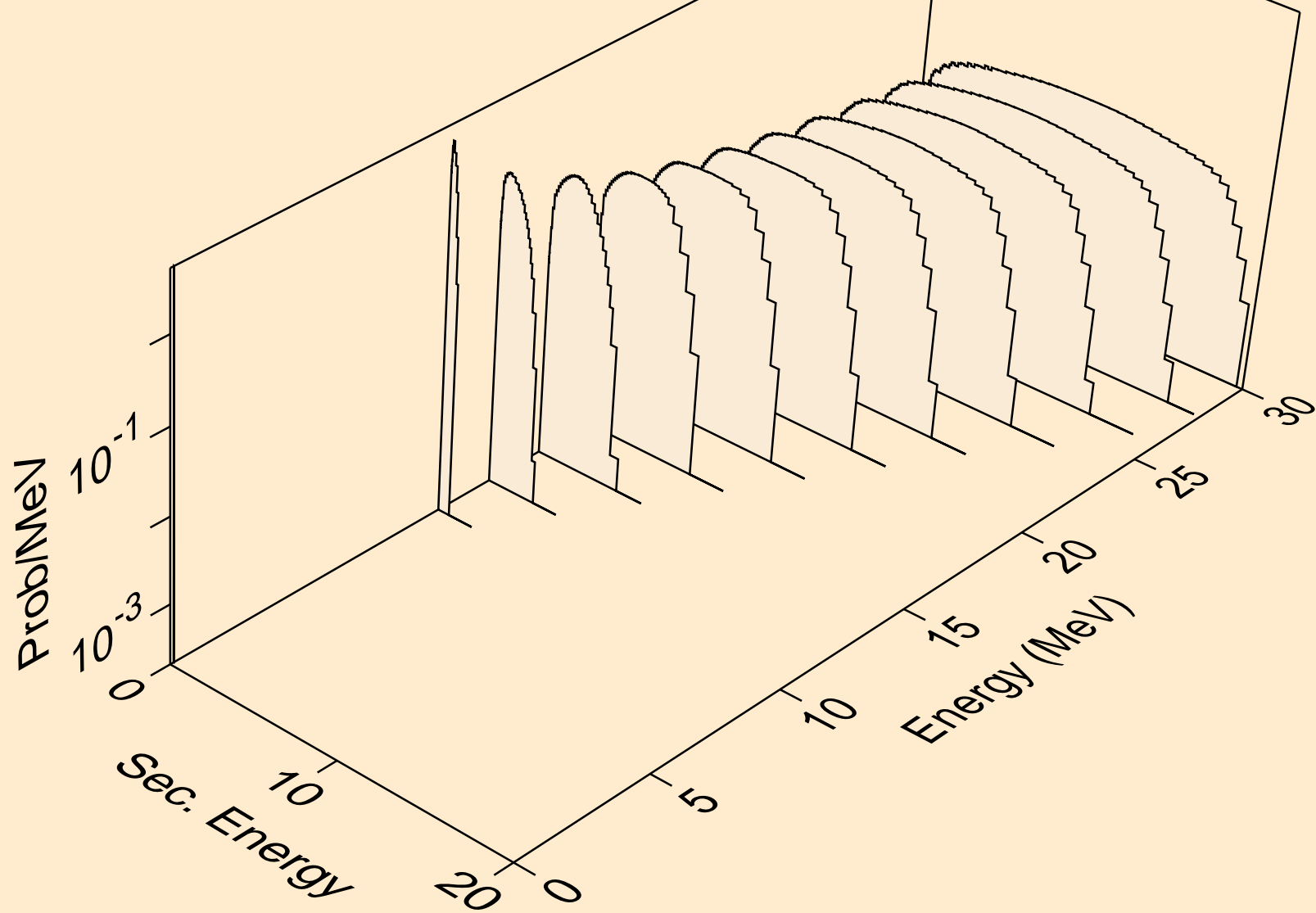
DB255 DEUTERON ACER TENDL-2021 LIBRARY; T=0.K
neutrons from (d,3n)a



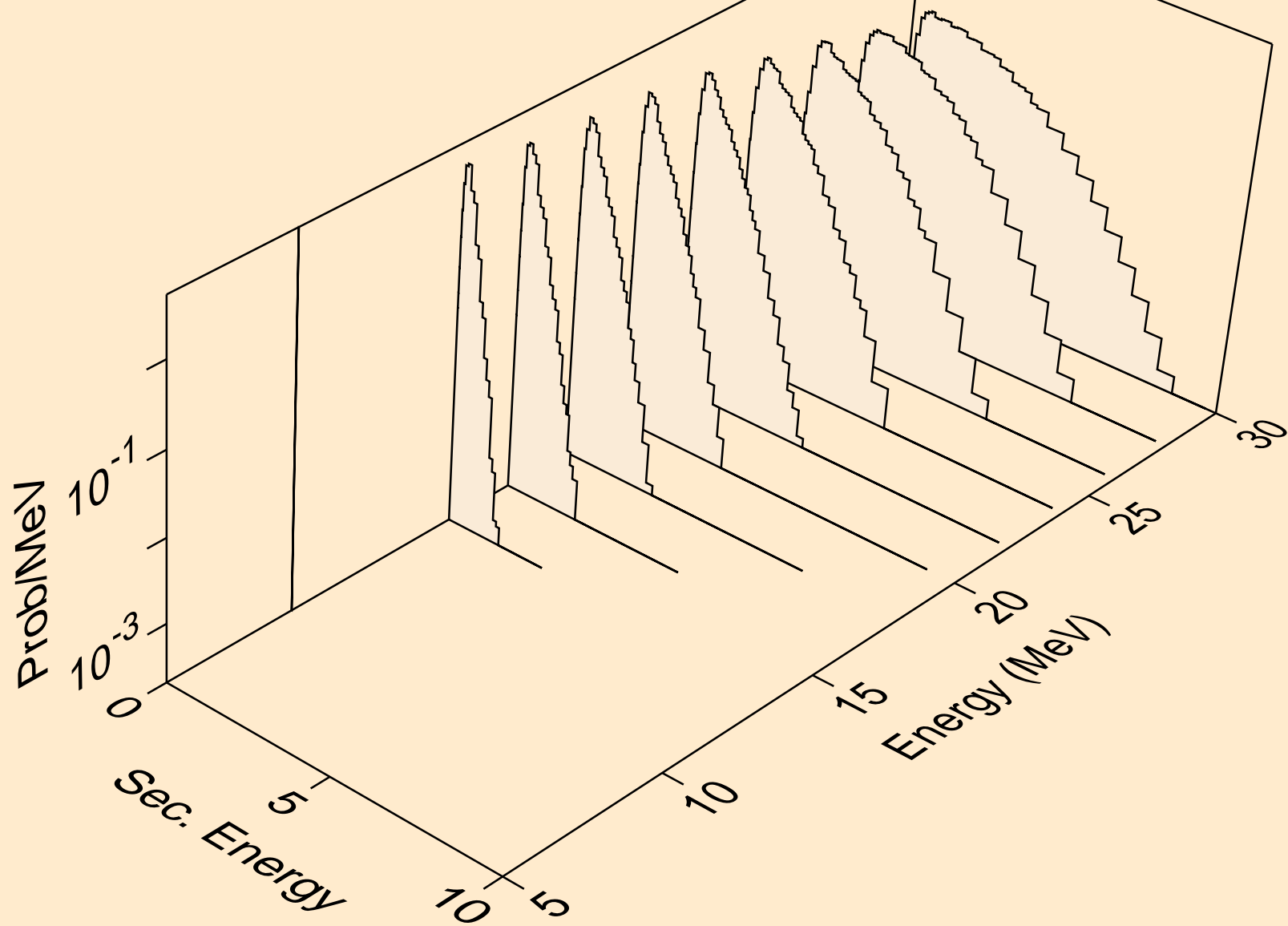
DB255 DEUTERON ACER TENDL-2021 LIBRARY; T=0.K
neutrons from (d,n*)p



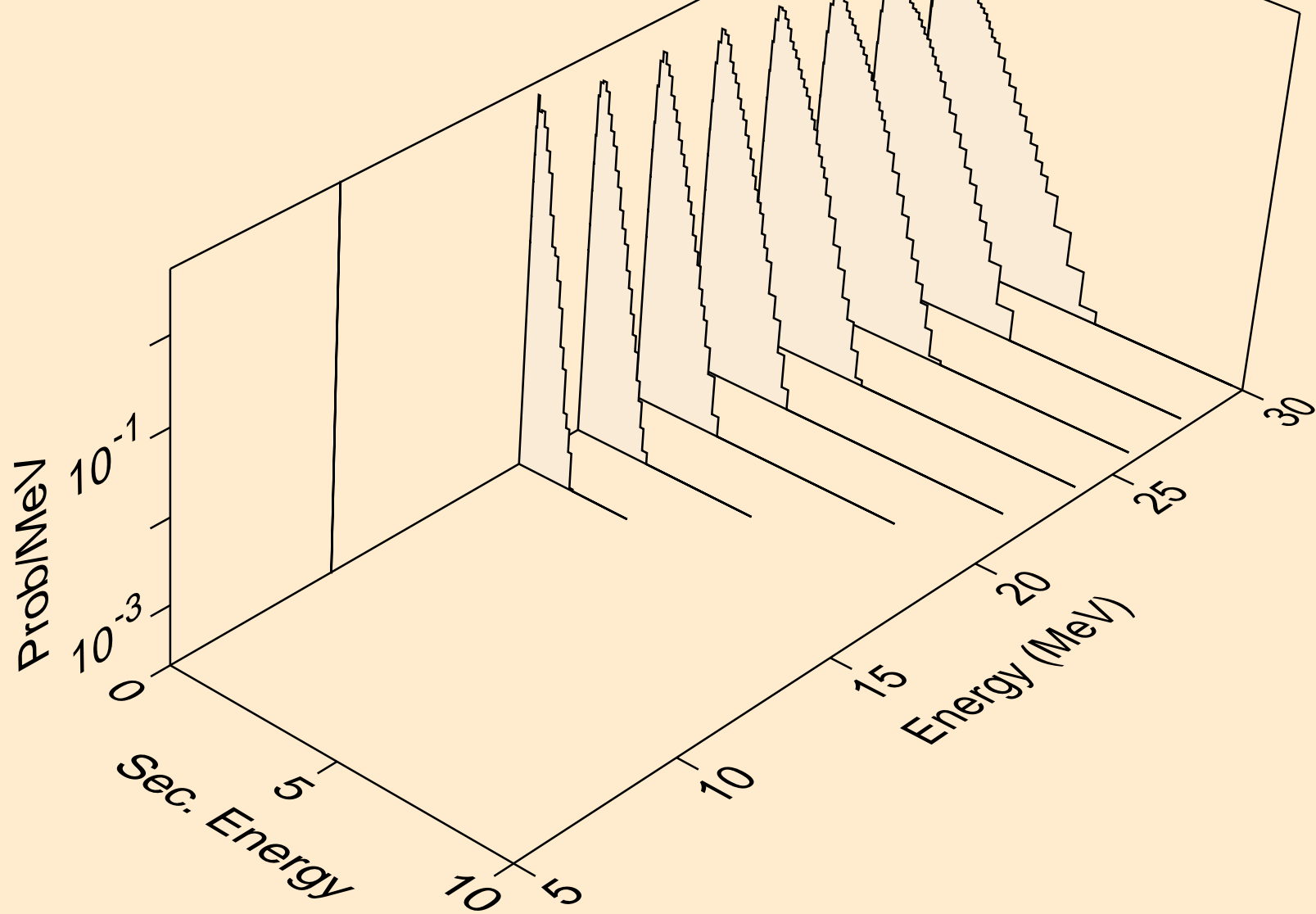
DB255 DEUTERON ACER TENDL-2021 LIBRARY; T=0.K
neutrons from (d,2n)2a



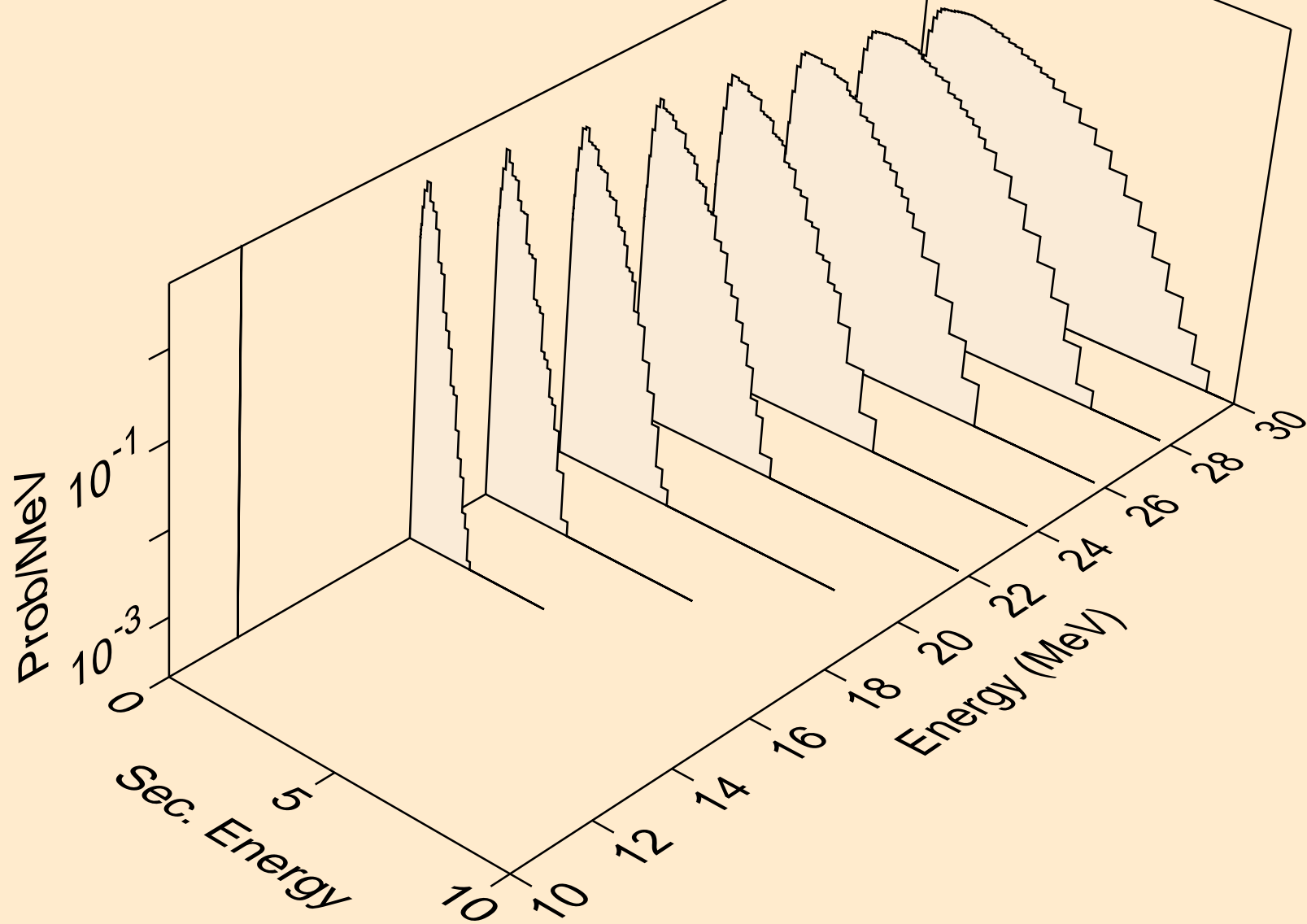
DB255 DEUTERON ACER TENDL-2021 LIBRARY; T=0.K
neutrons from (d,n*)d



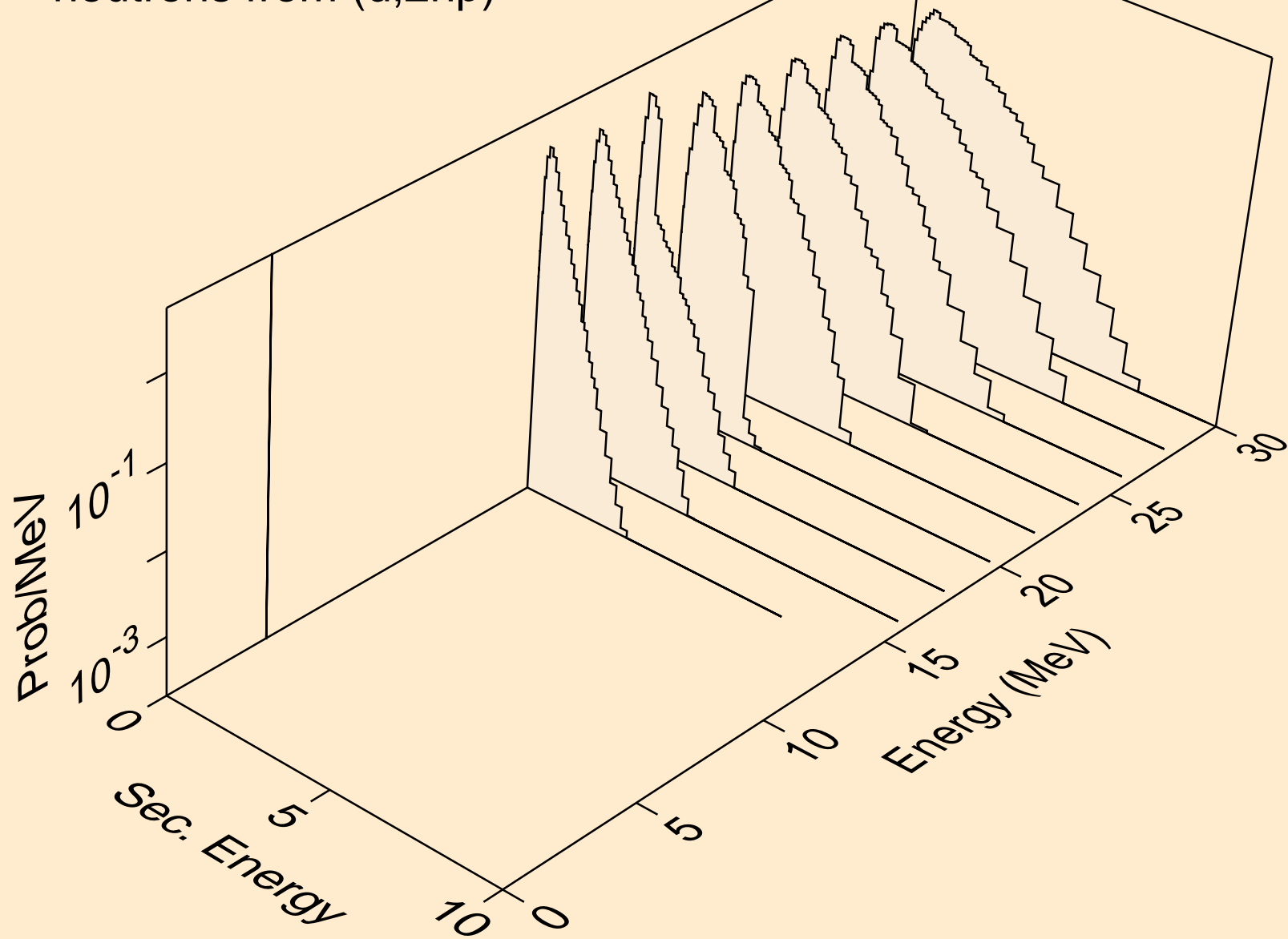
DB255 DEUTERON ACER TENDL-2021 LIBRARY; T=0.K
neutrons from (d,n*)t



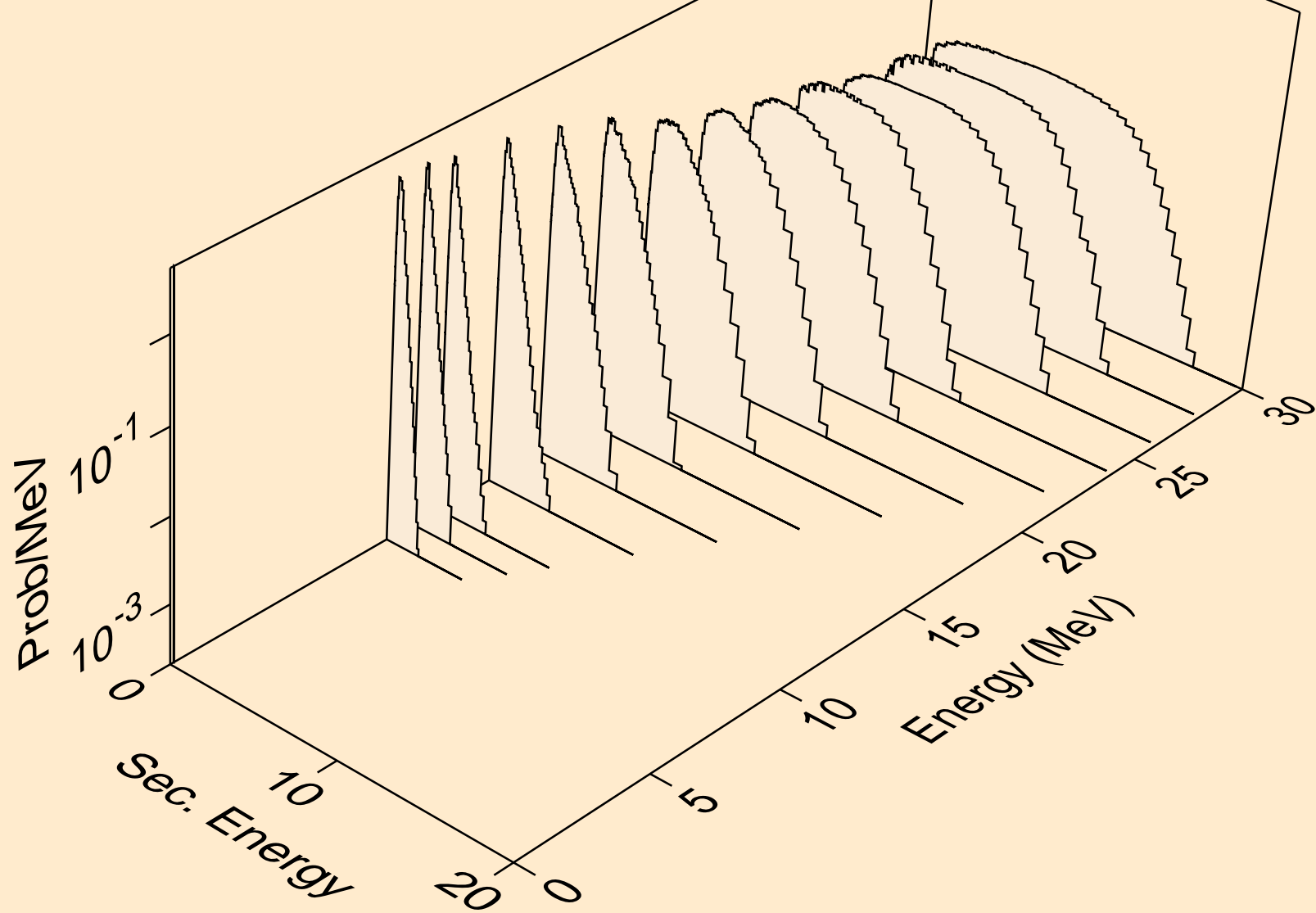
DB255 DEUTERON ACER TENDL-2021 LIBRARY; T=0.K
neutrons from (d,2np)



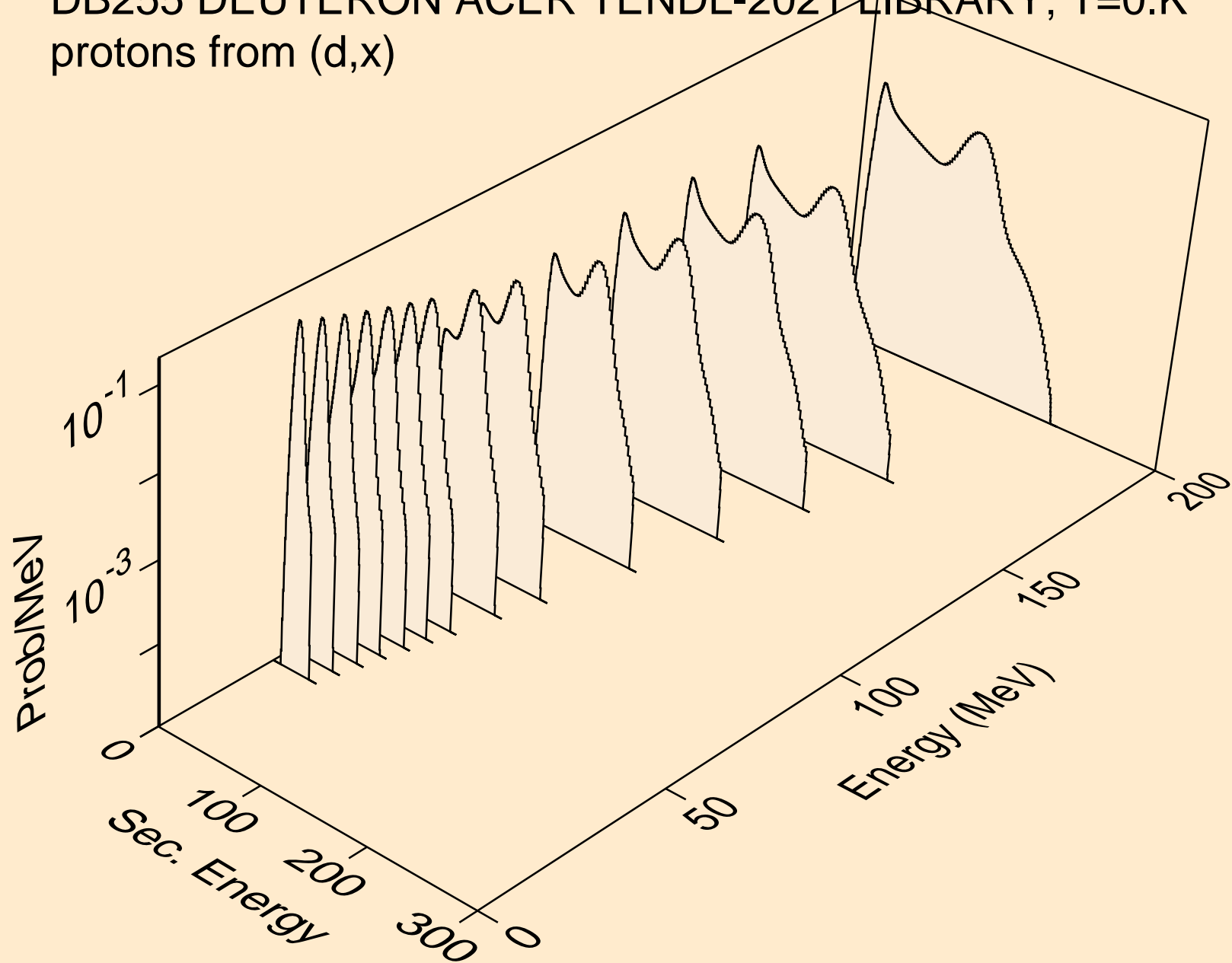
DB255 DEUTERON ACER TENDL-2021 LIBRARY; T=0.K
neutrons from (d,2np)



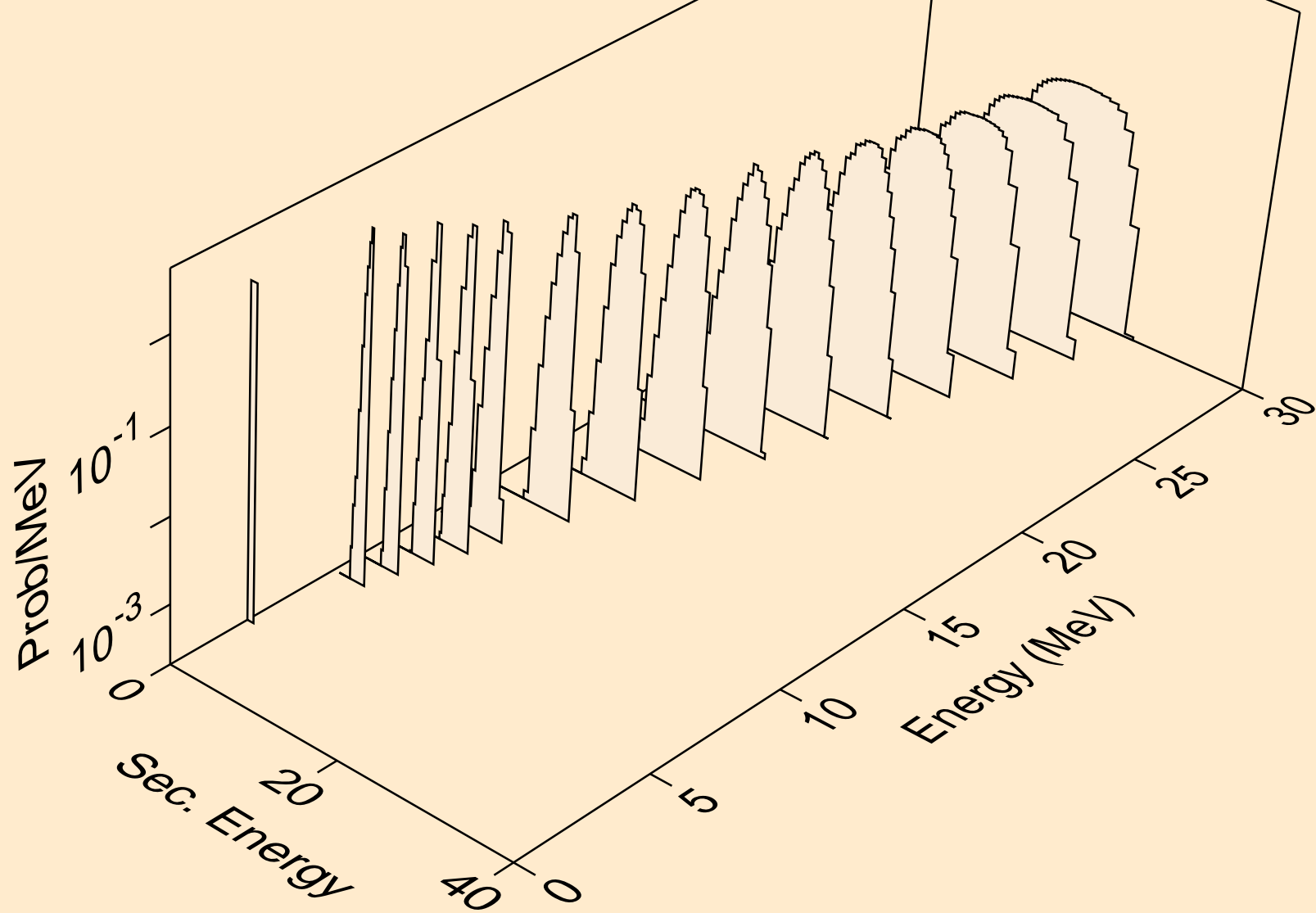
DB255 DEUTERON ACER TENDL-2021 LIBRARY; T=0.K
neutrons from (d,npa)



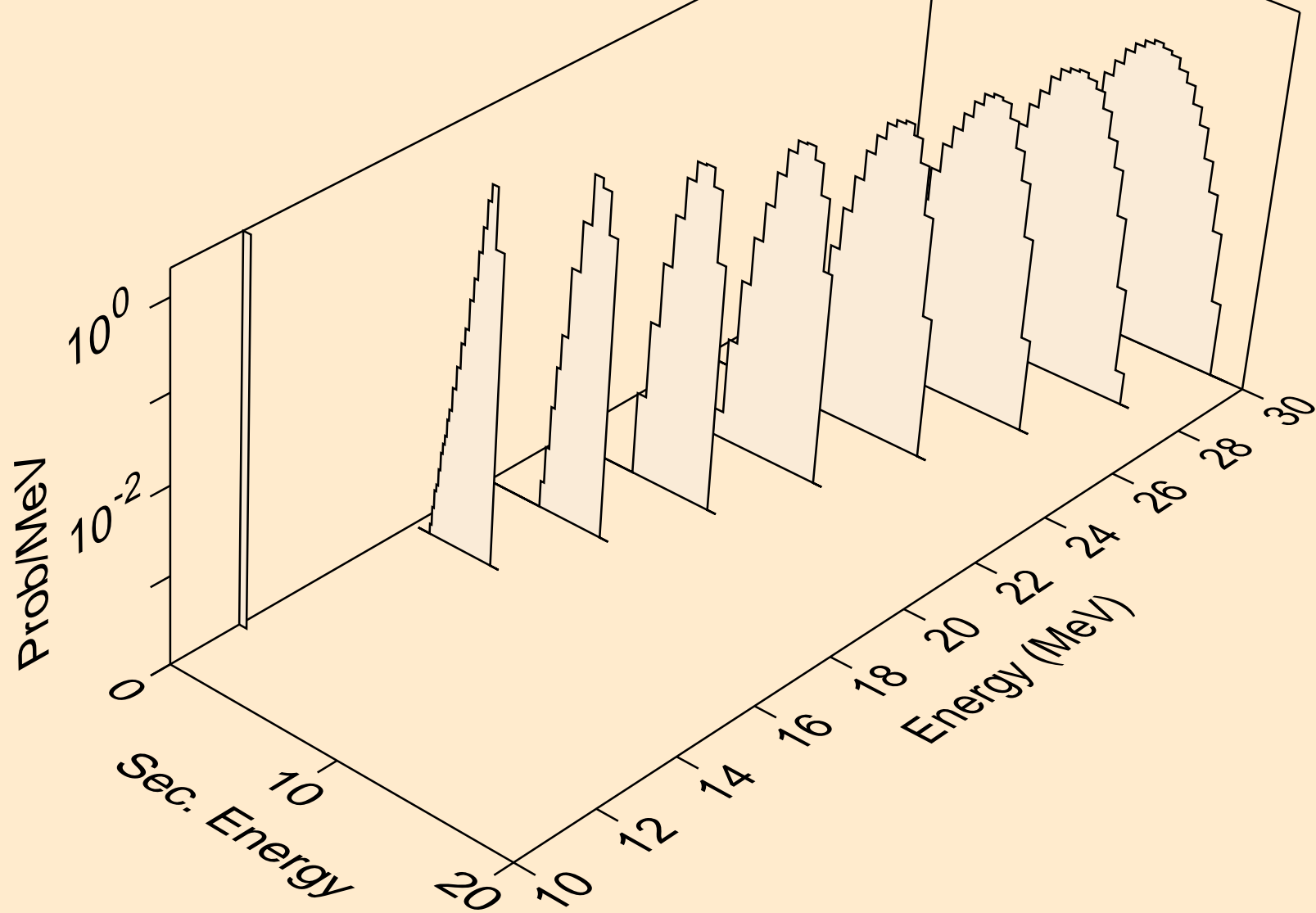
DB255 DEUTERON ACER TENDL-2021 LIBRARY; T=0.K
protons from (d,x)



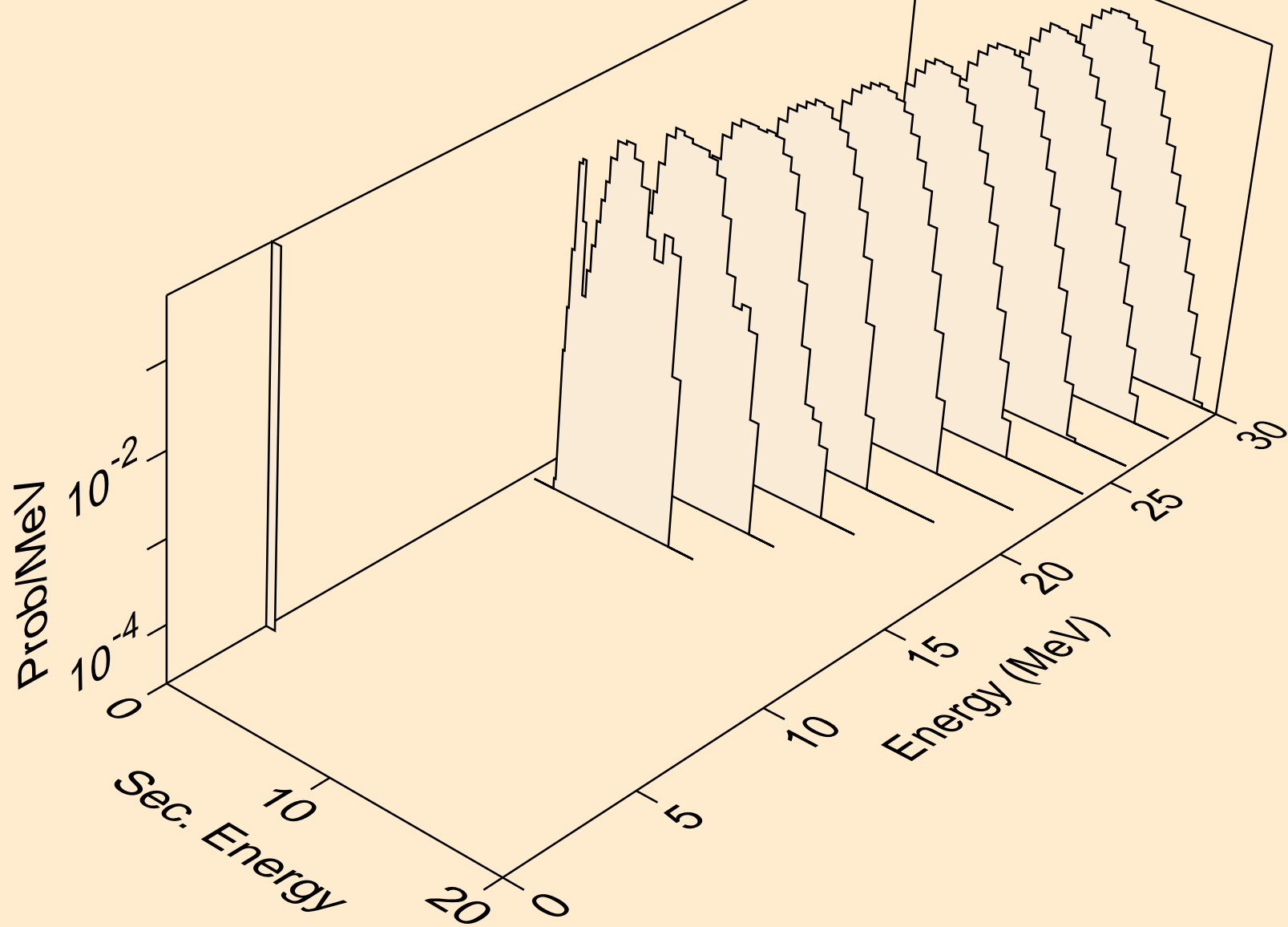
DB255 DEUTERON ACER TENDL-2021 LIBRARY; T=0.K
protons from (d,n*)p



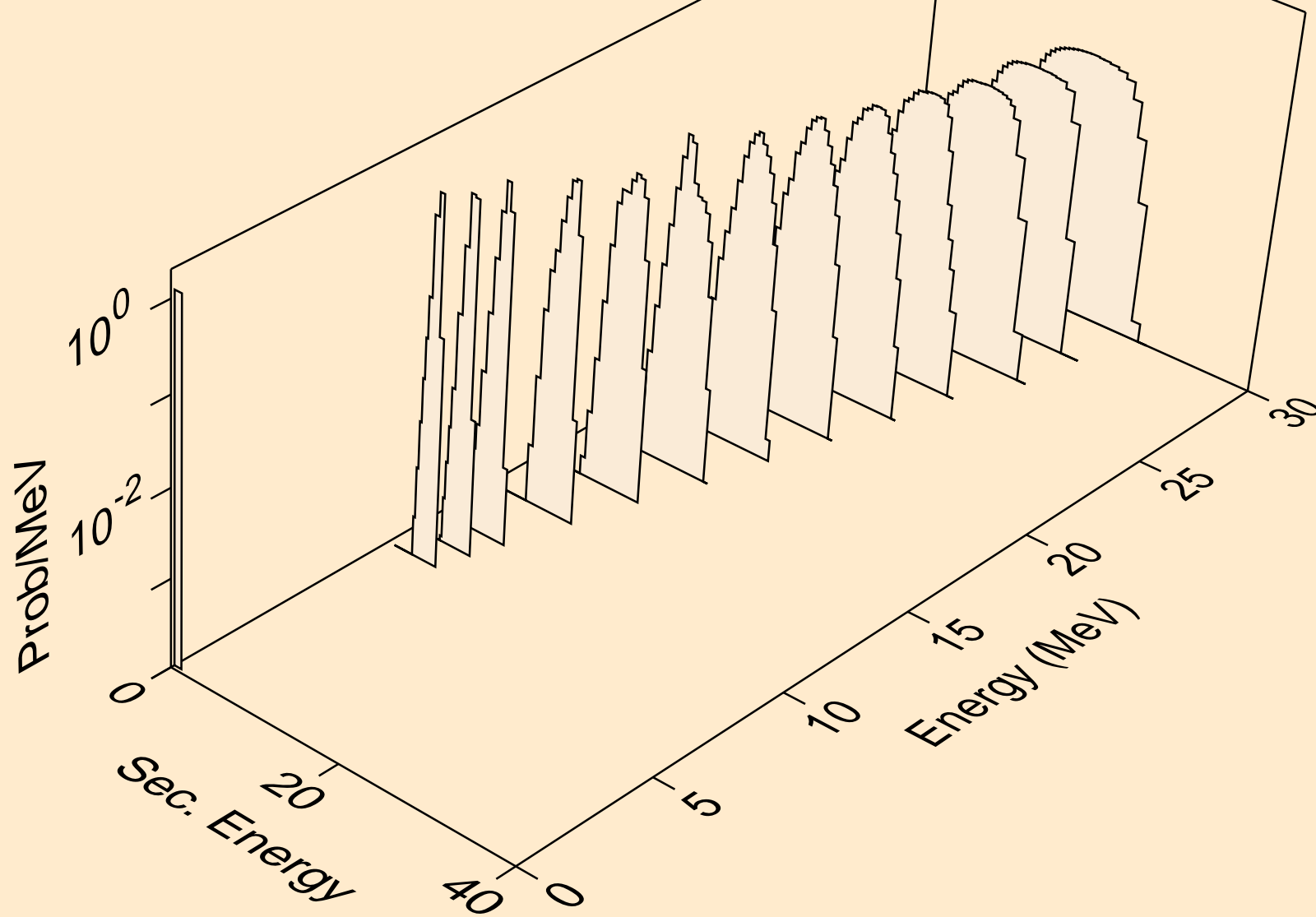
DB255 DEUTERON ACER TENDL-2021 LIBRARY; T=0.K
protons from (d,2np)



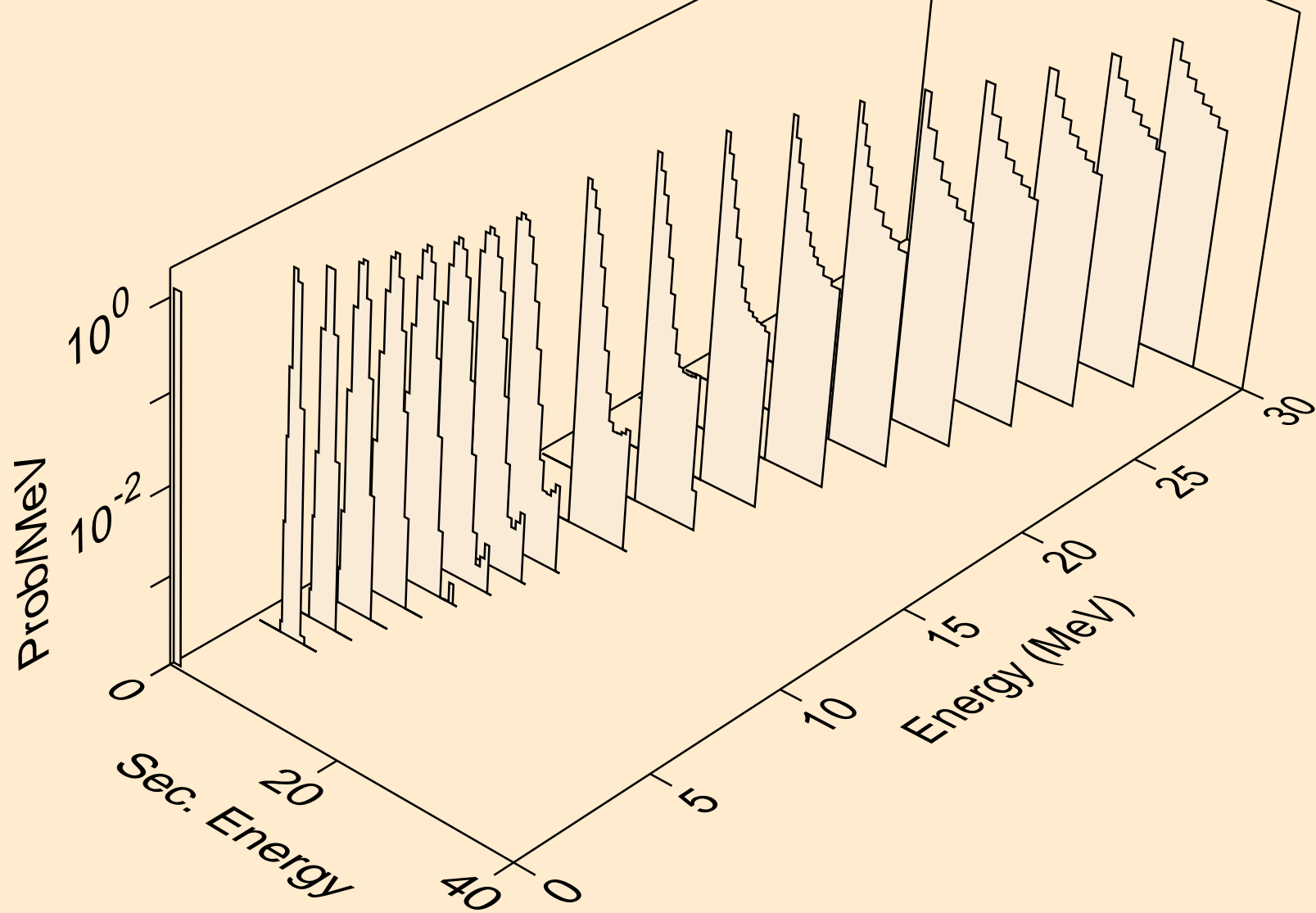
DB255 DEUTERON ACER TENDL-2021 LIBRARY; T=0.K
protons from (d,2np)



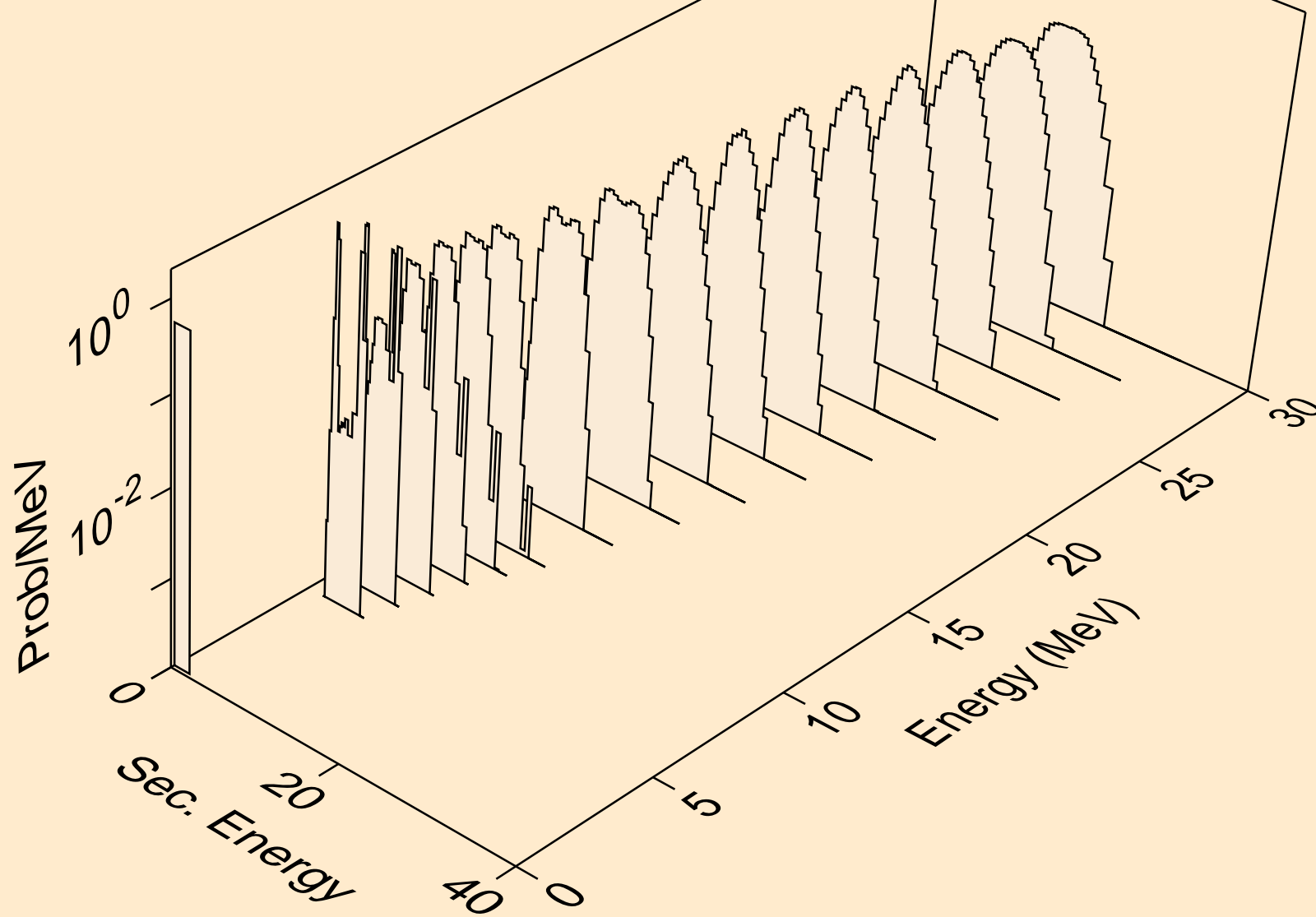
DB255 DEUTERON ACER TENDL-2021 LIBRARY; T=0.K
protons from (d,npa)



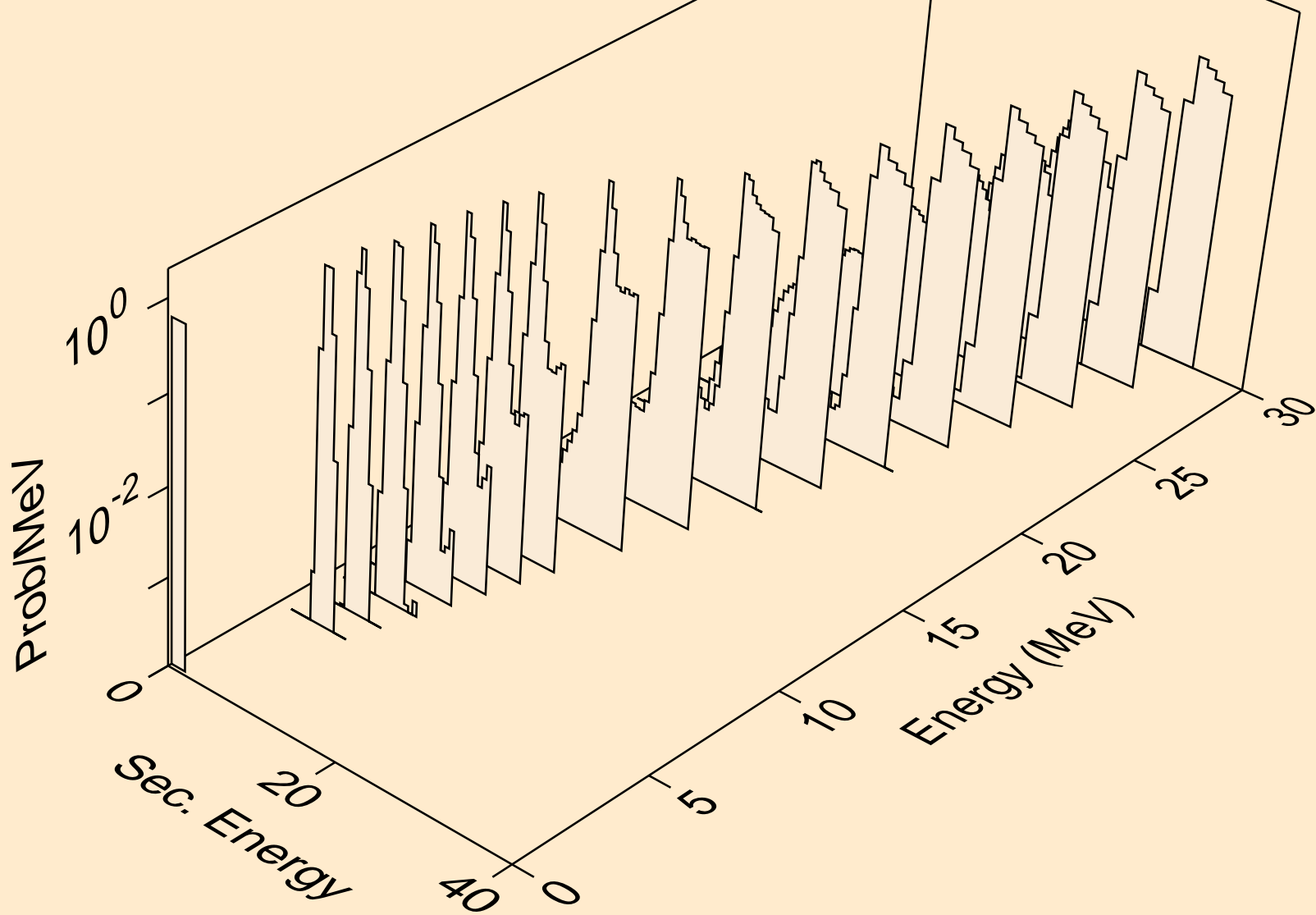
DB255 DEUTERON ACER TENDL-2021 LIBRARY; T=0.K
protons from (d,p)



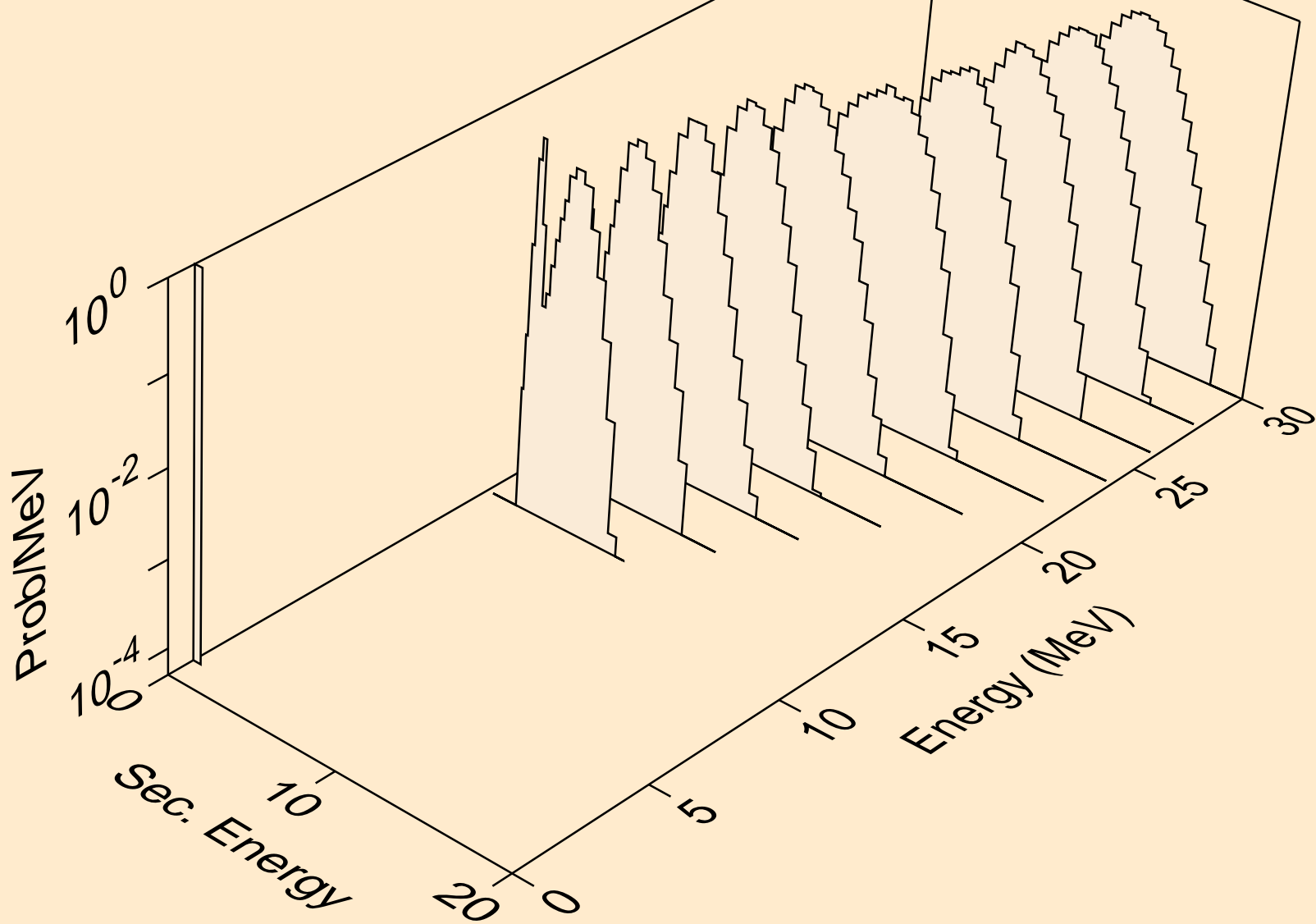
DB255 DEUTERON ACER TENDL-2021 LIBRARY; T=0.K
protons from (d,2p)



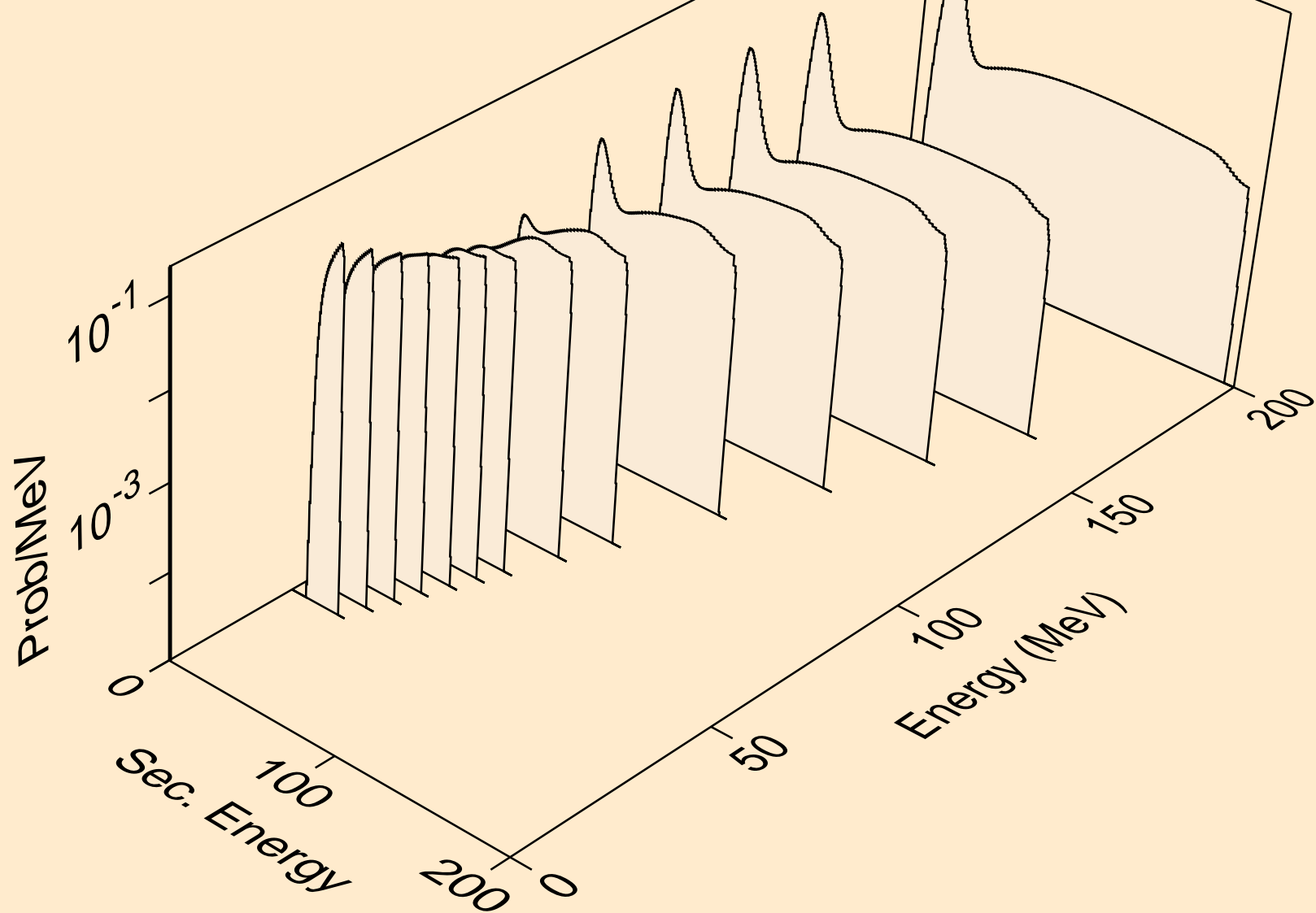
DB255 DEUTERON ACER TENDL-2021 LIBRARY; T=0.K
protons from (d,pa)



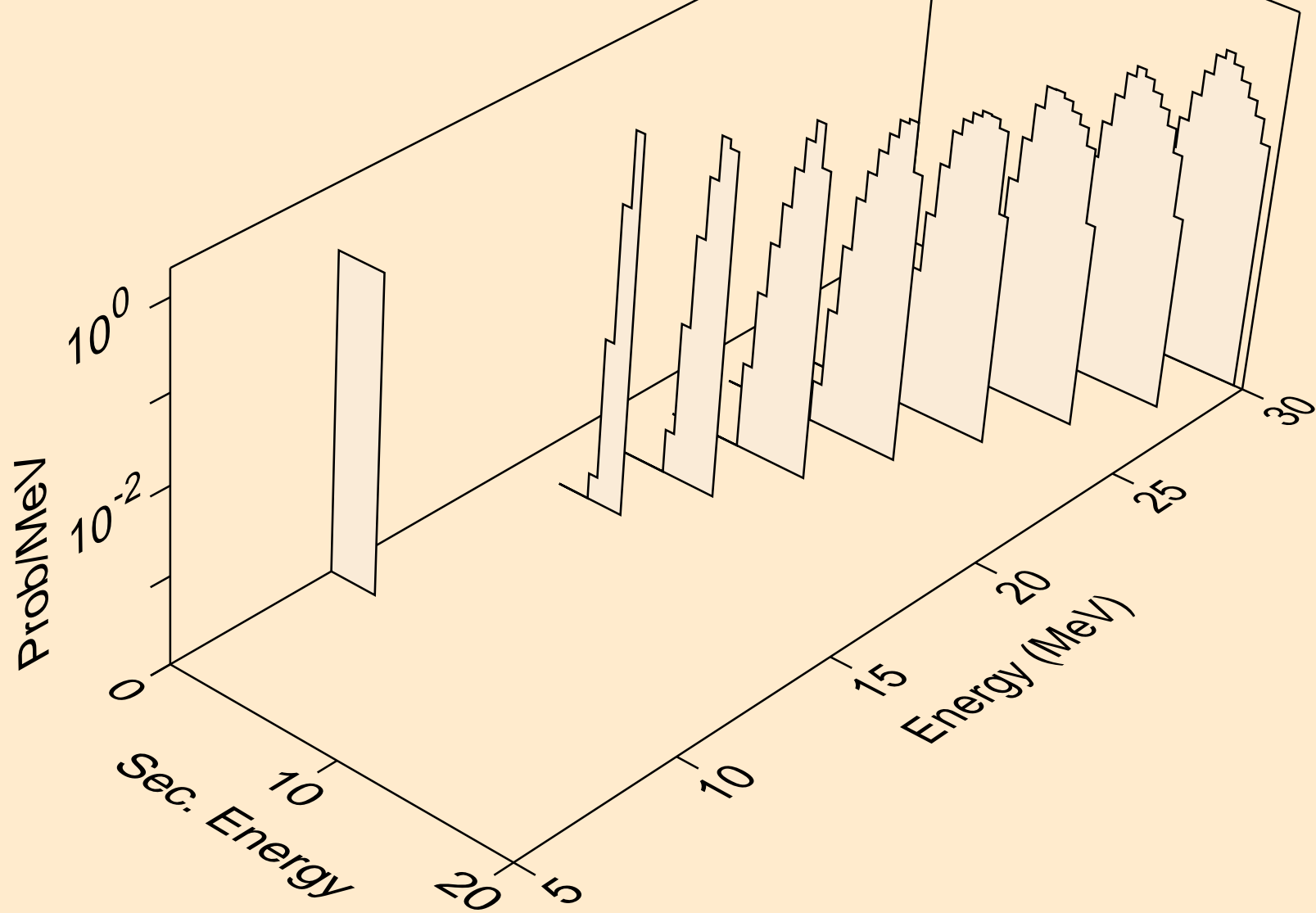
DB255 DEUTERON ACER TENDL-2021 LIBRARY; T=0.K
protons from (d,pd)



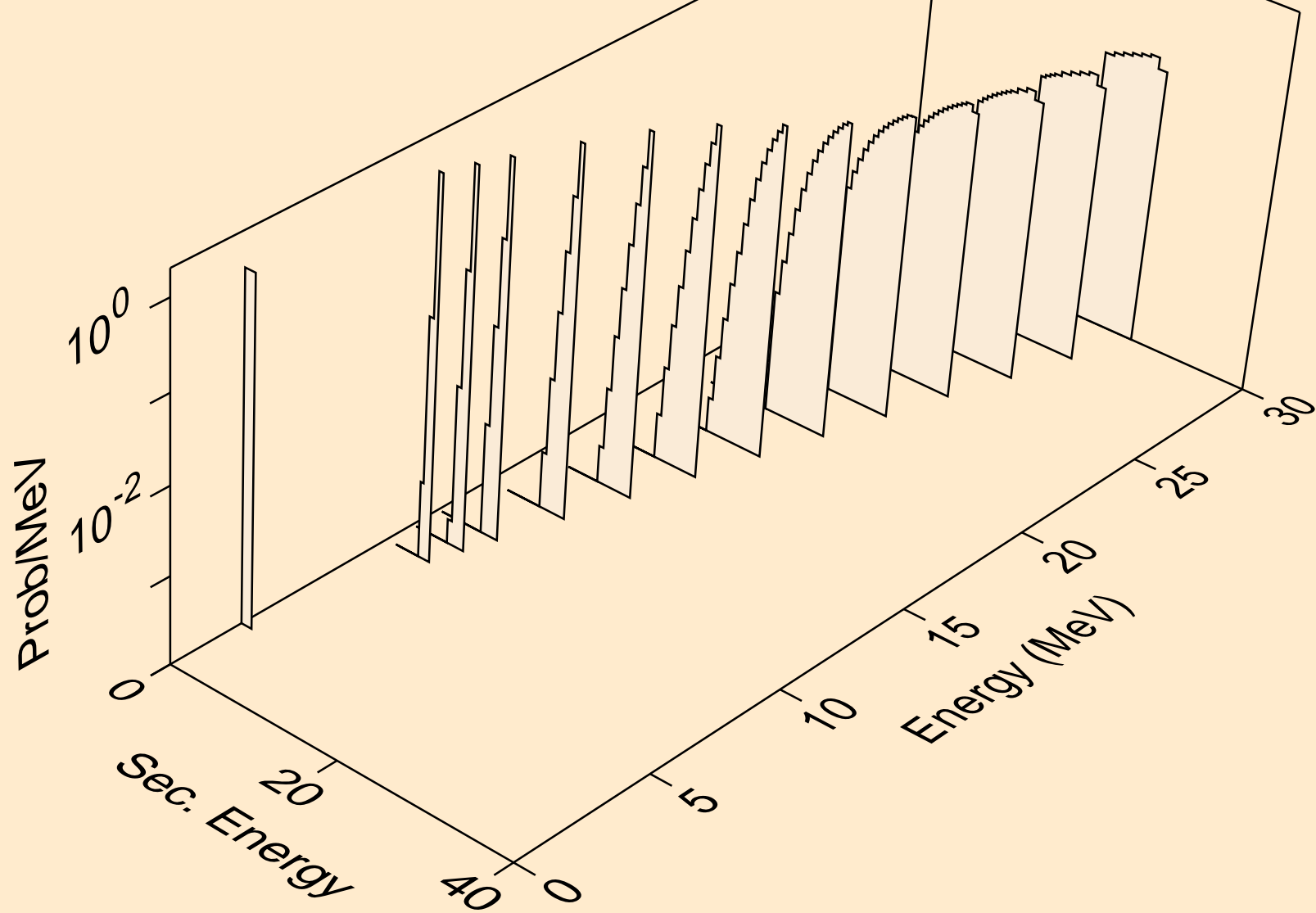
DB255 DEUTERON ACER TENDL-2021 LIBRARY; T=0.K
tritons from (d,x)



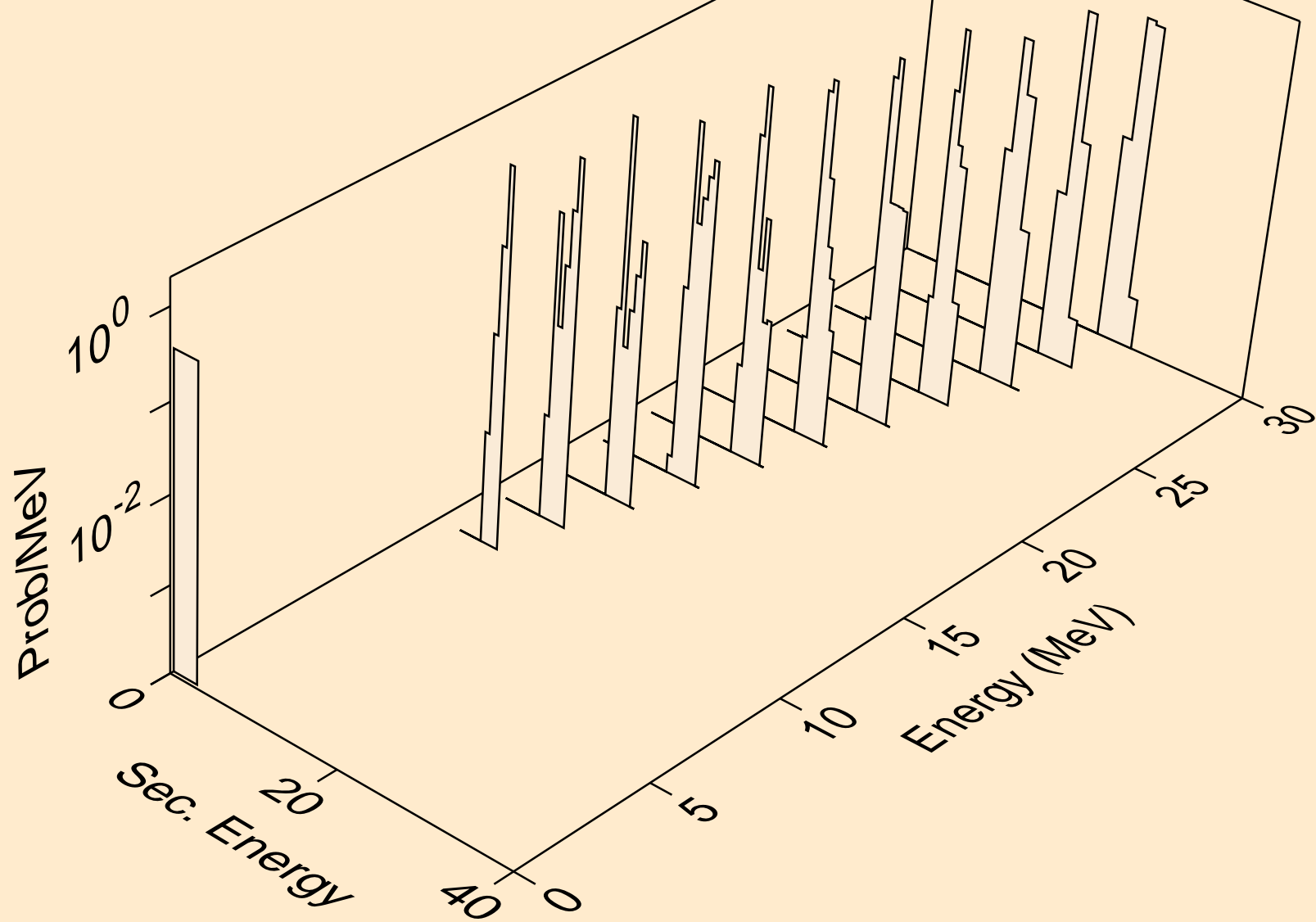
DB255 DEUTERON ACER TENDL-2021 LIBRARY; T=0.K
tritons from (d,n*)t



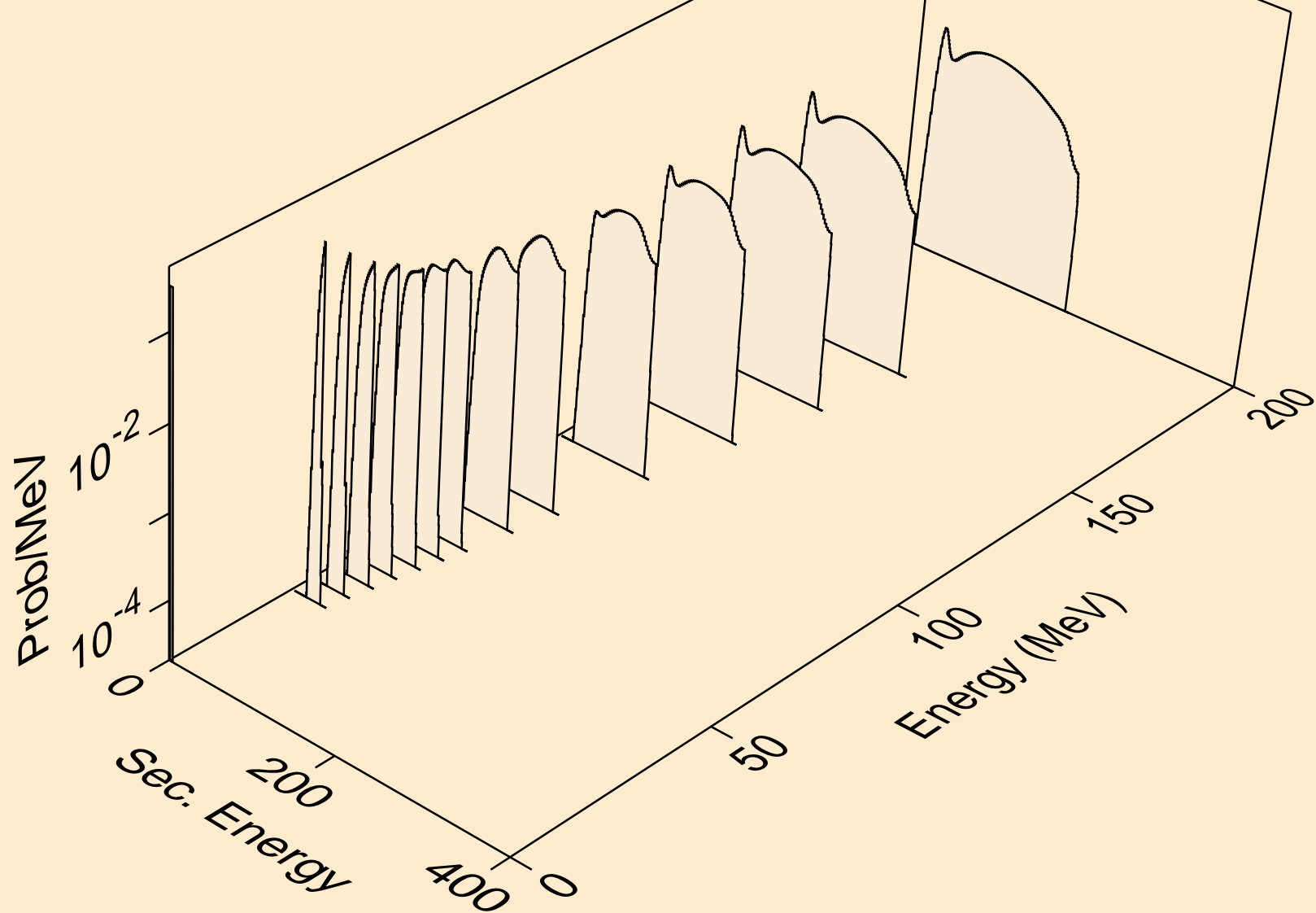
DB255 DEUTERON ACER TENDL-2021 LIBRARY; T=0.K
tritons from (d,t)



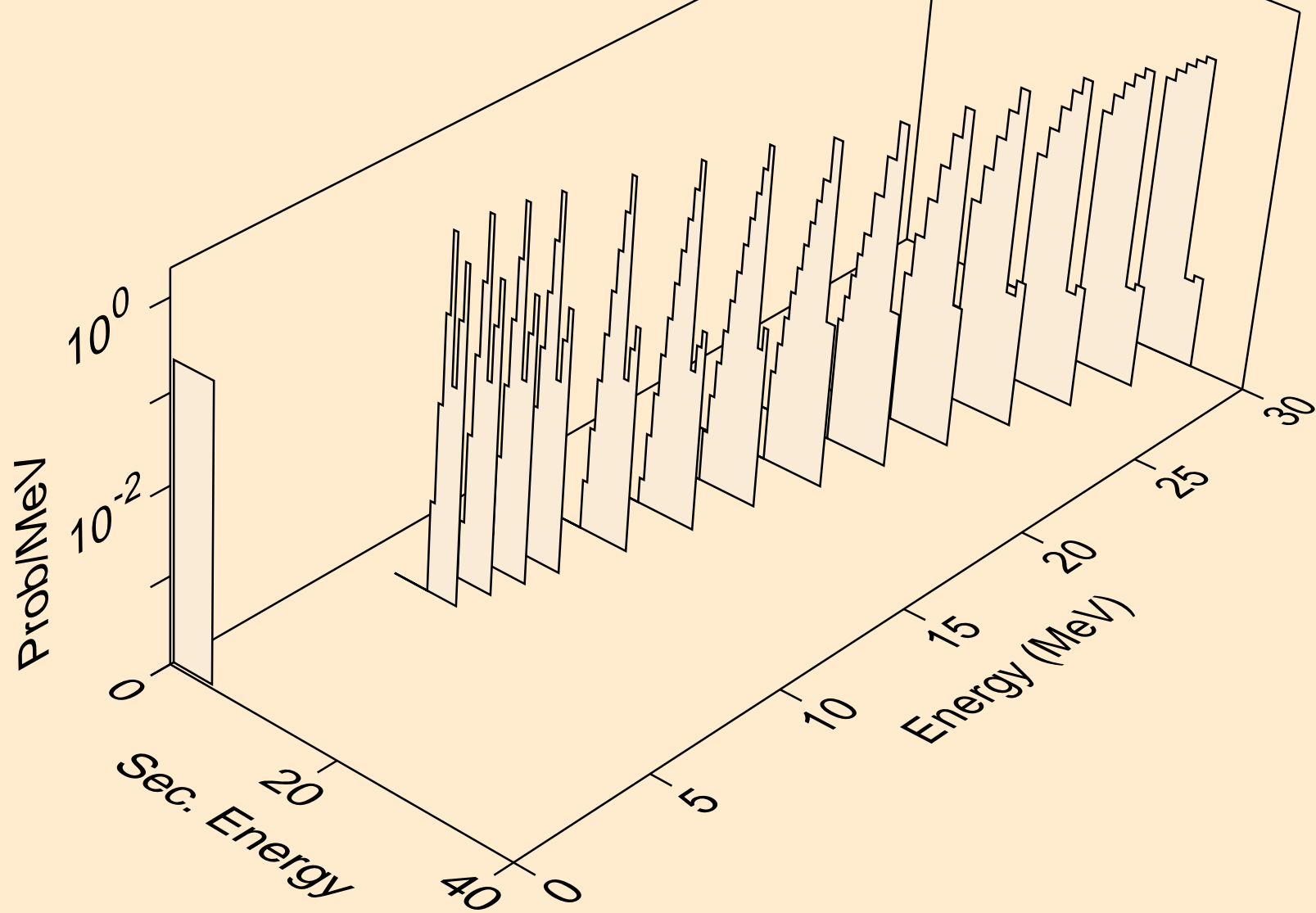
DB255 DEUTERON ACER TENDL-2021 LIBRARY; T=0.K
tritons from (d,t2a)



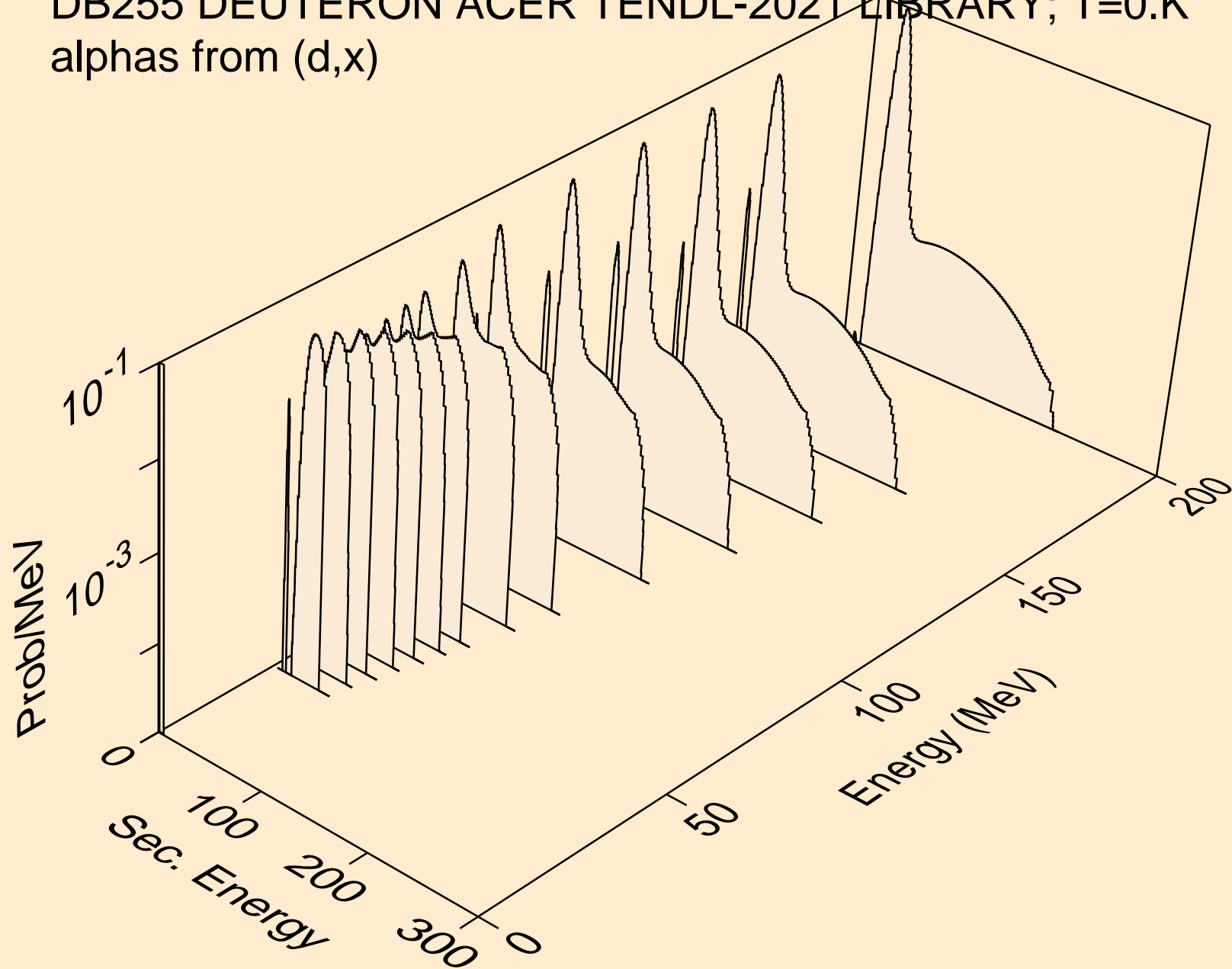
DB255 DEUTERON ACER TENDL-2021 LIBRARY; T=0.K
he3s from (d,x)



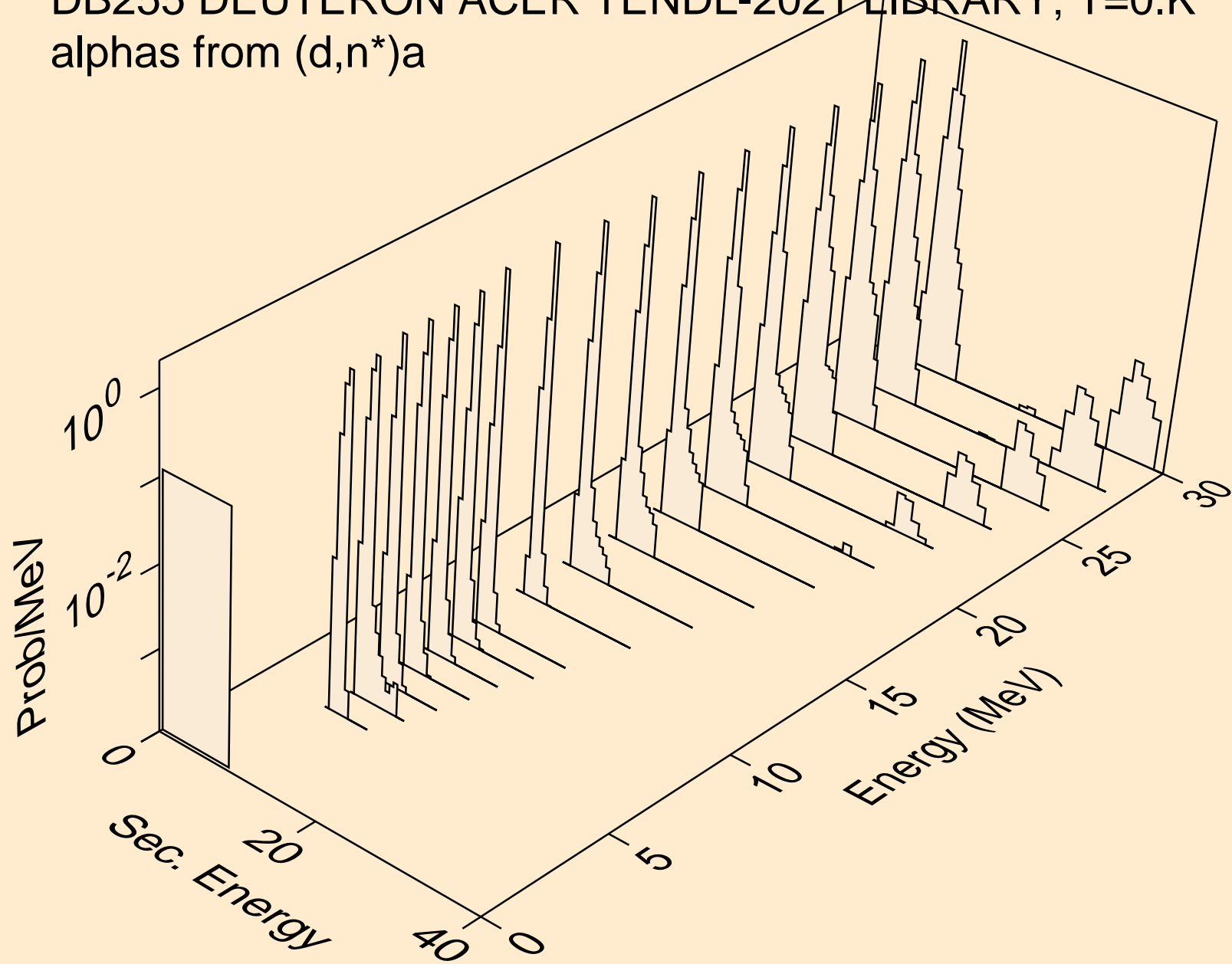
DB255 DEUTERON ACER TENDL-2021 LIBRARY; T=0.K
he3s from (d,he3)



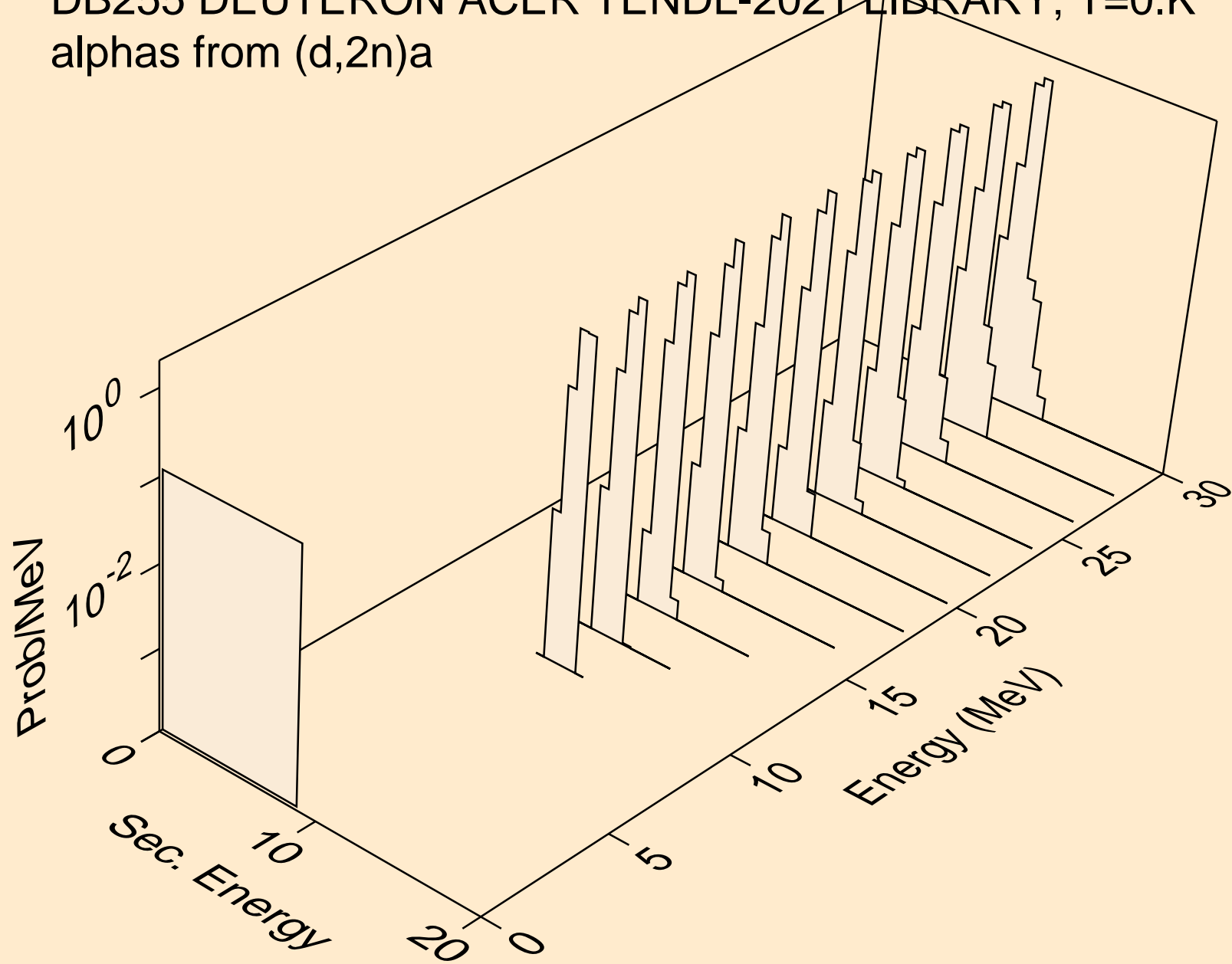
DB255 DEUTERON ACER TENDL-2021 LIBRARY; T=0.K
alphas from (d,x)



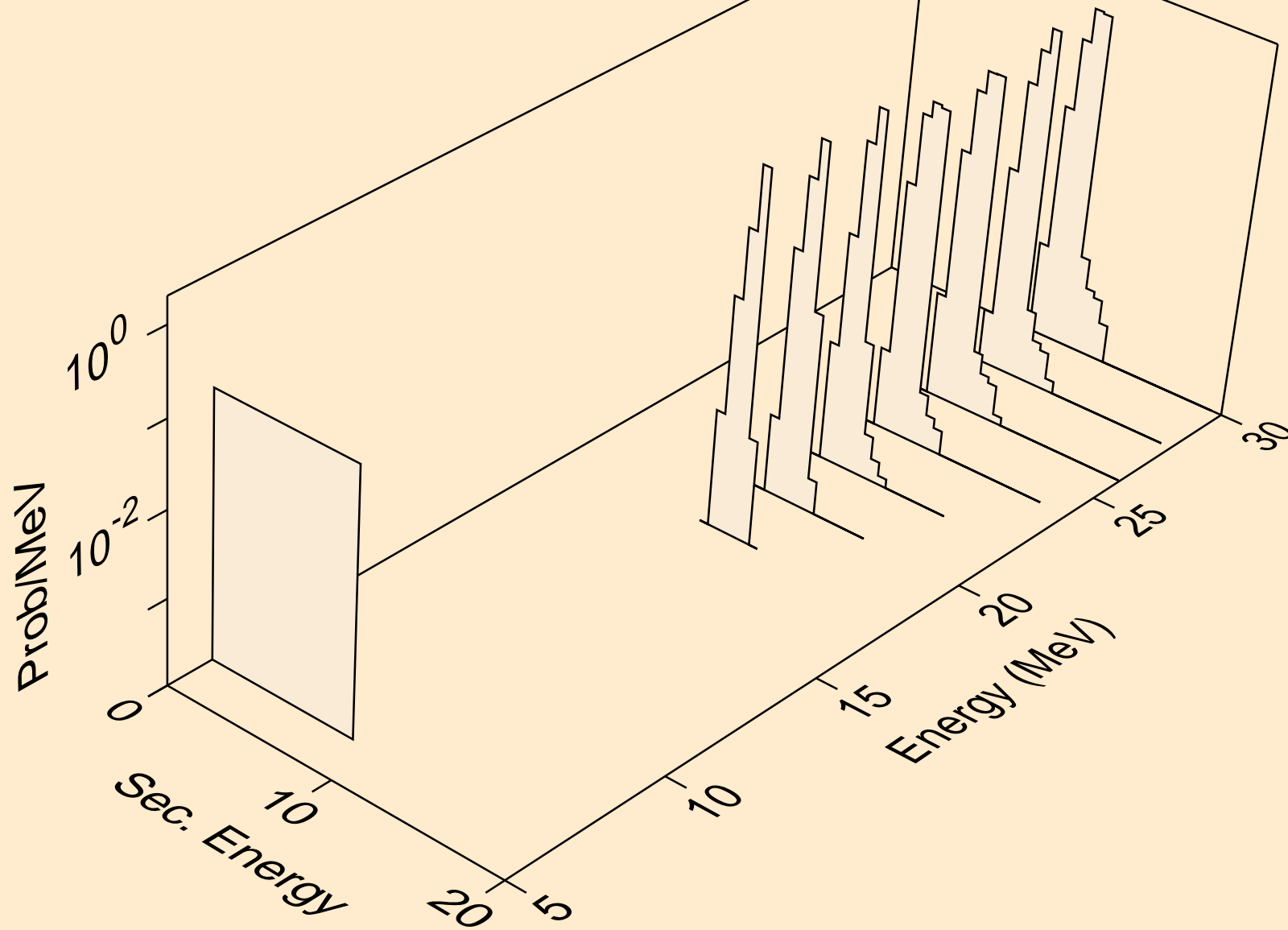
DB255 DEUTERON ACER TENDL-2021 LIBRARY; T=0.K
alphas from (d,n*)a



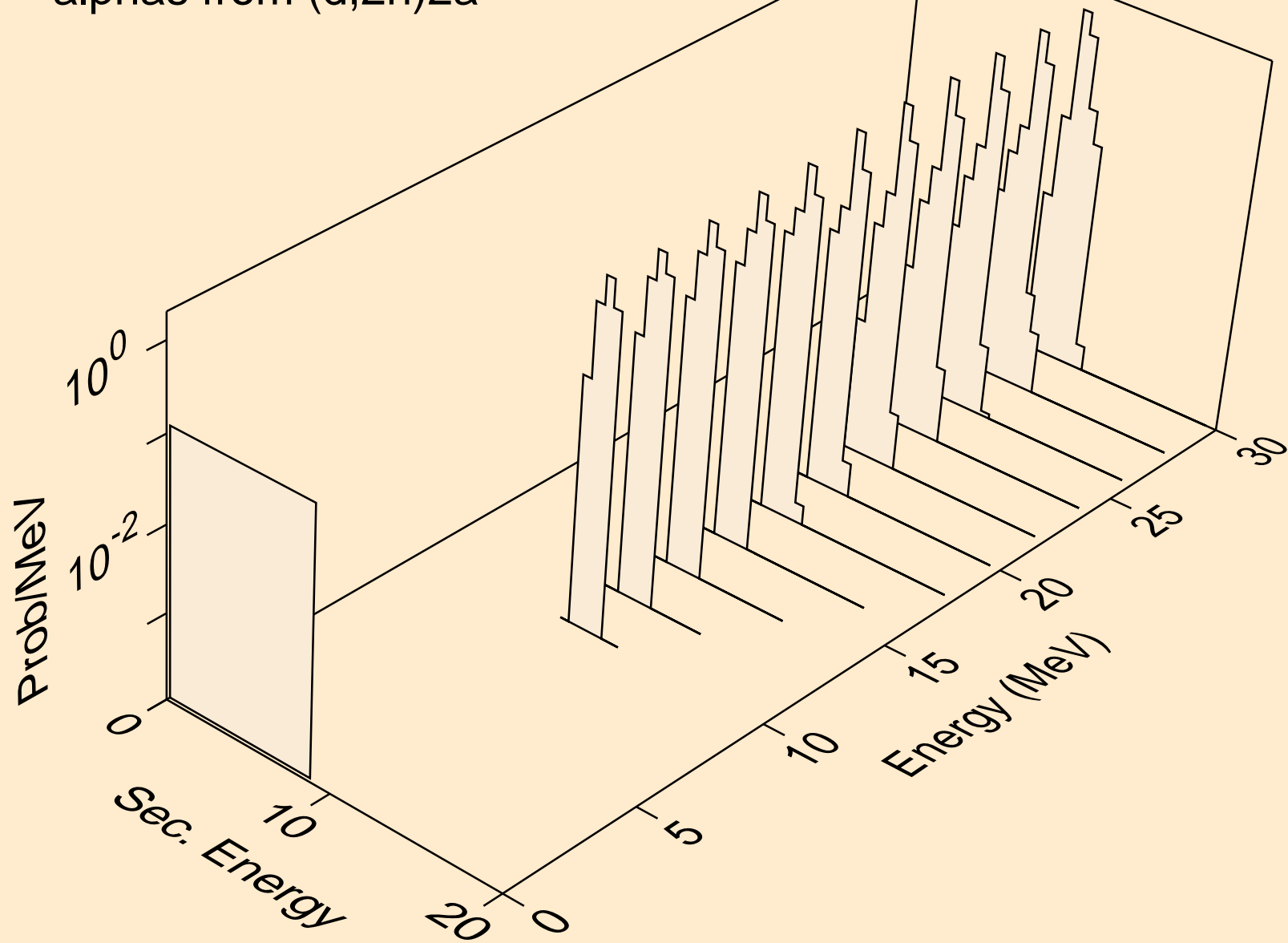
DB255 DEUTERON ACER TENDL-2021 LIBRARY; T=0.K
alphas from (d,2n)a



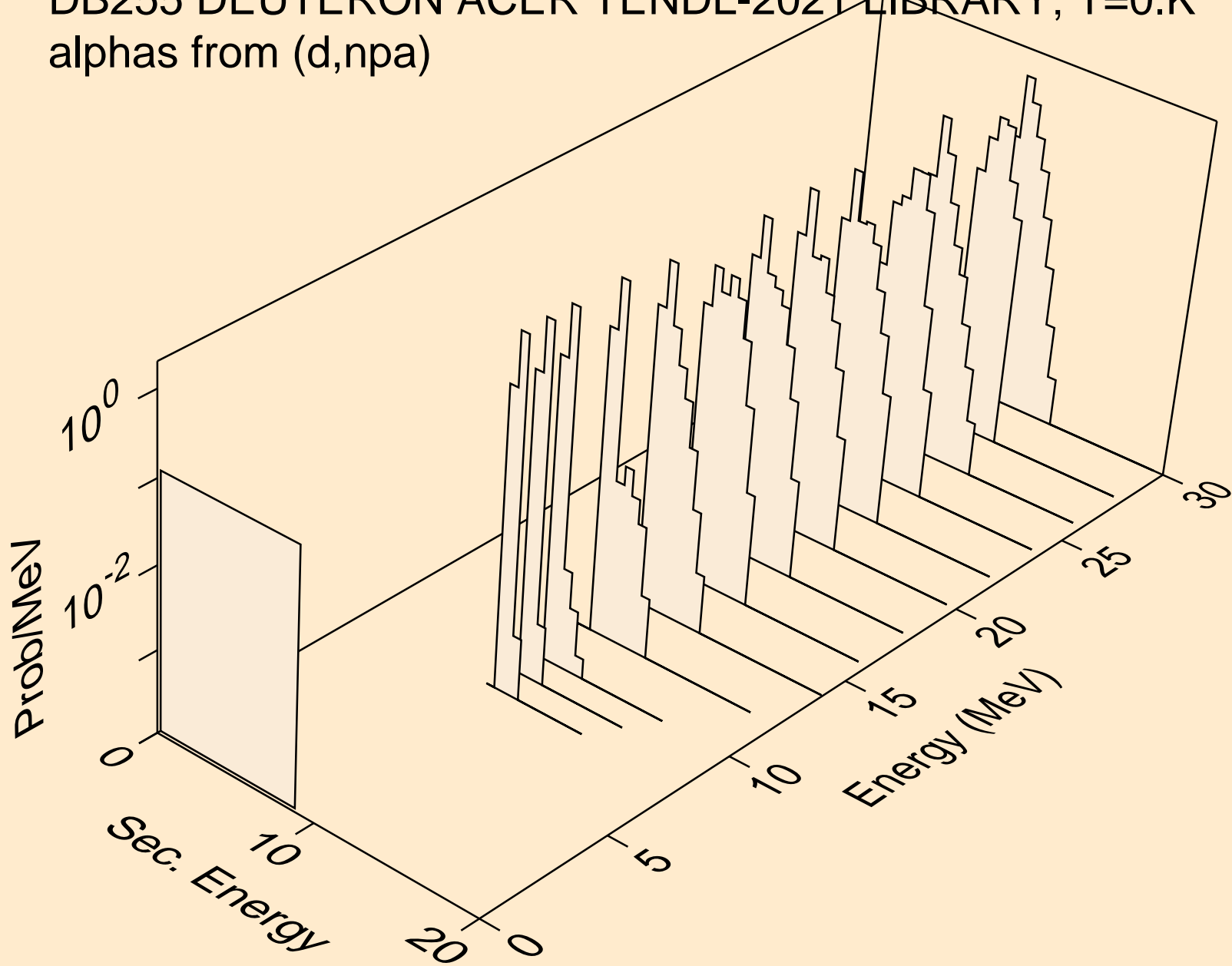
DB255 DEUTERON ACER TENDL-2021 LIBRARY; T=0.K
alphas from (d,3n)a



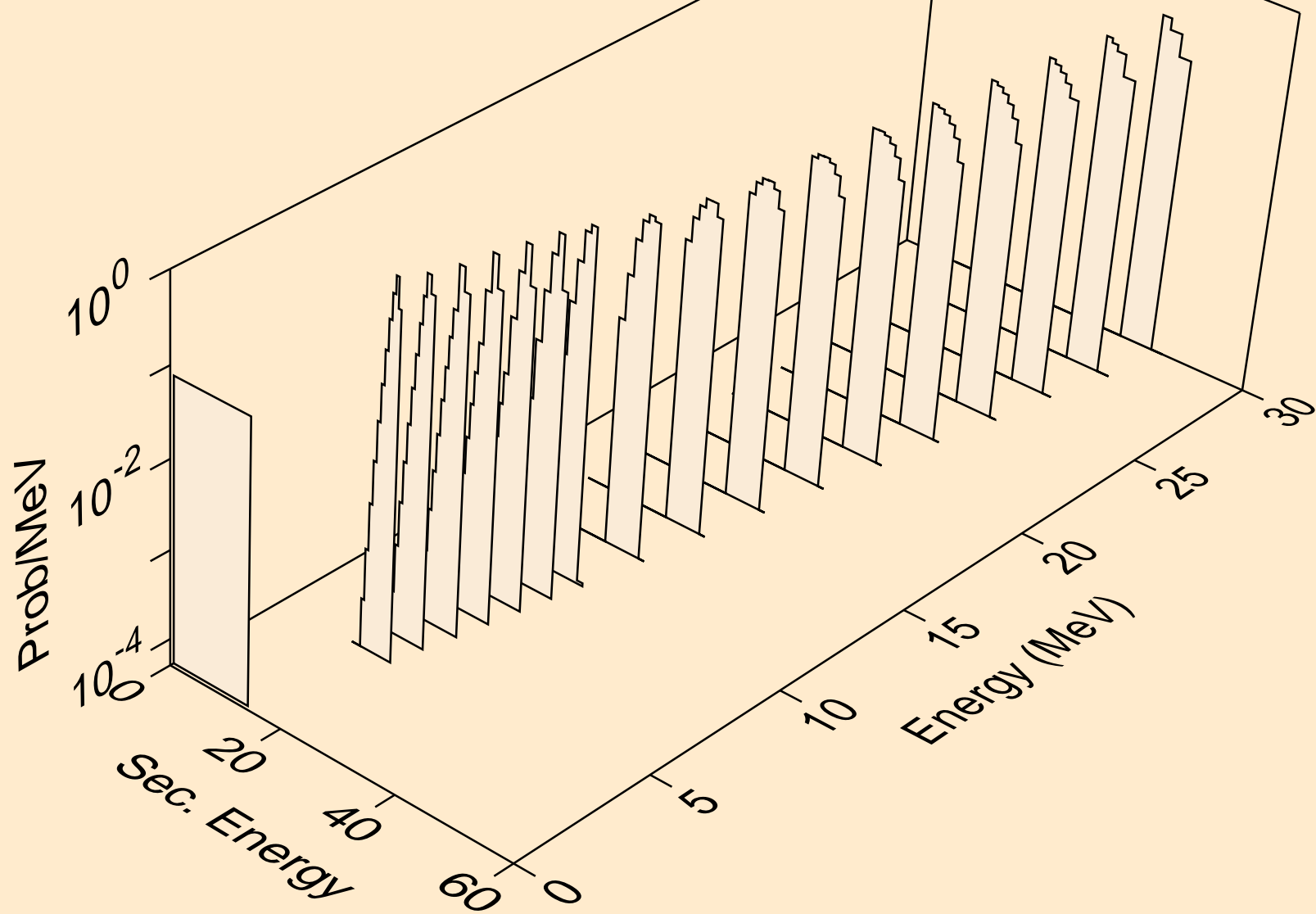
DB255 DEUTERON ACER TENDL-2021 LIBRARY; T=0.K
alphas from (d,2n)2a



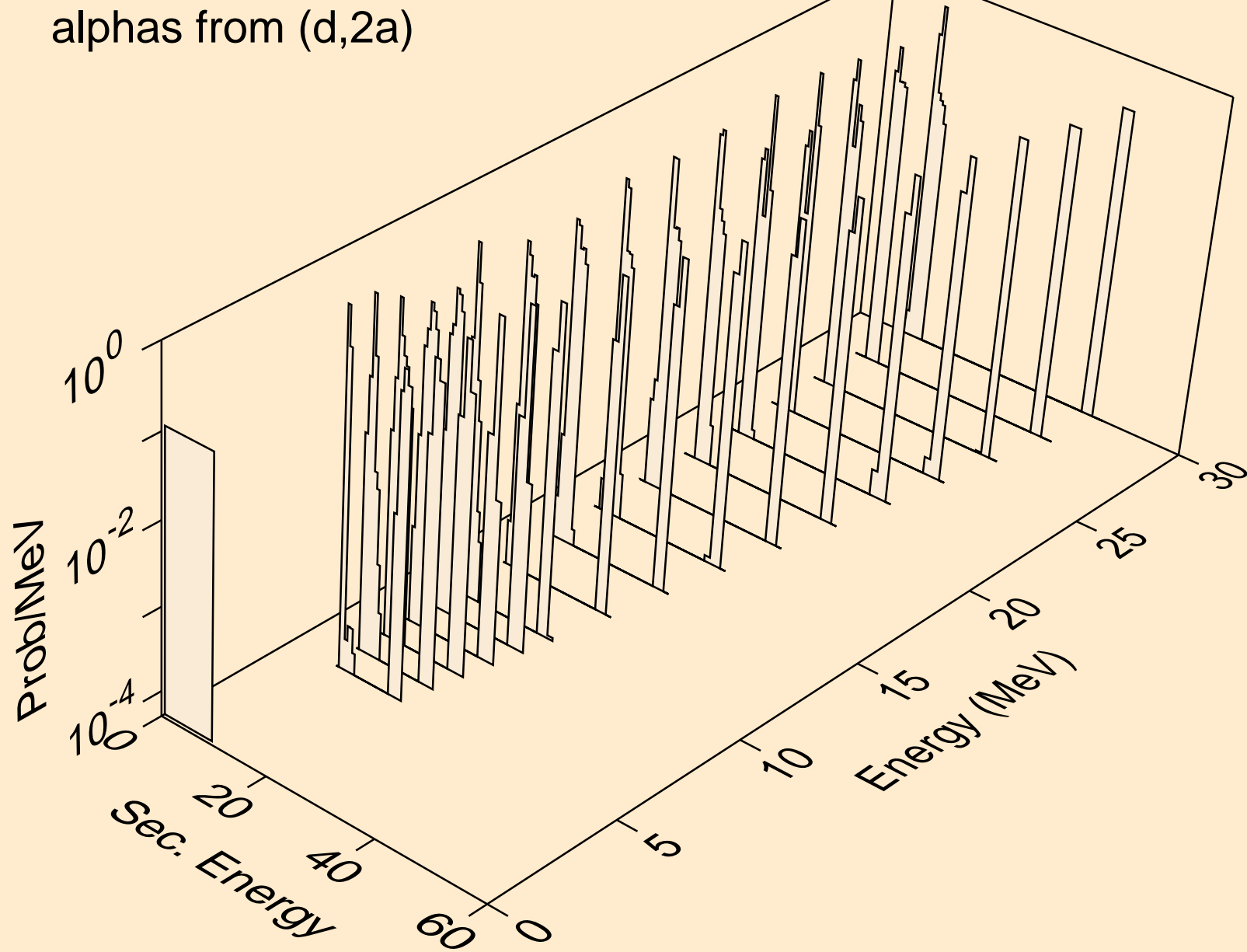
DB255 DEUTERON ACER TENDL-2021 LIBRARY; T=0.K
alphas from (d,npa)



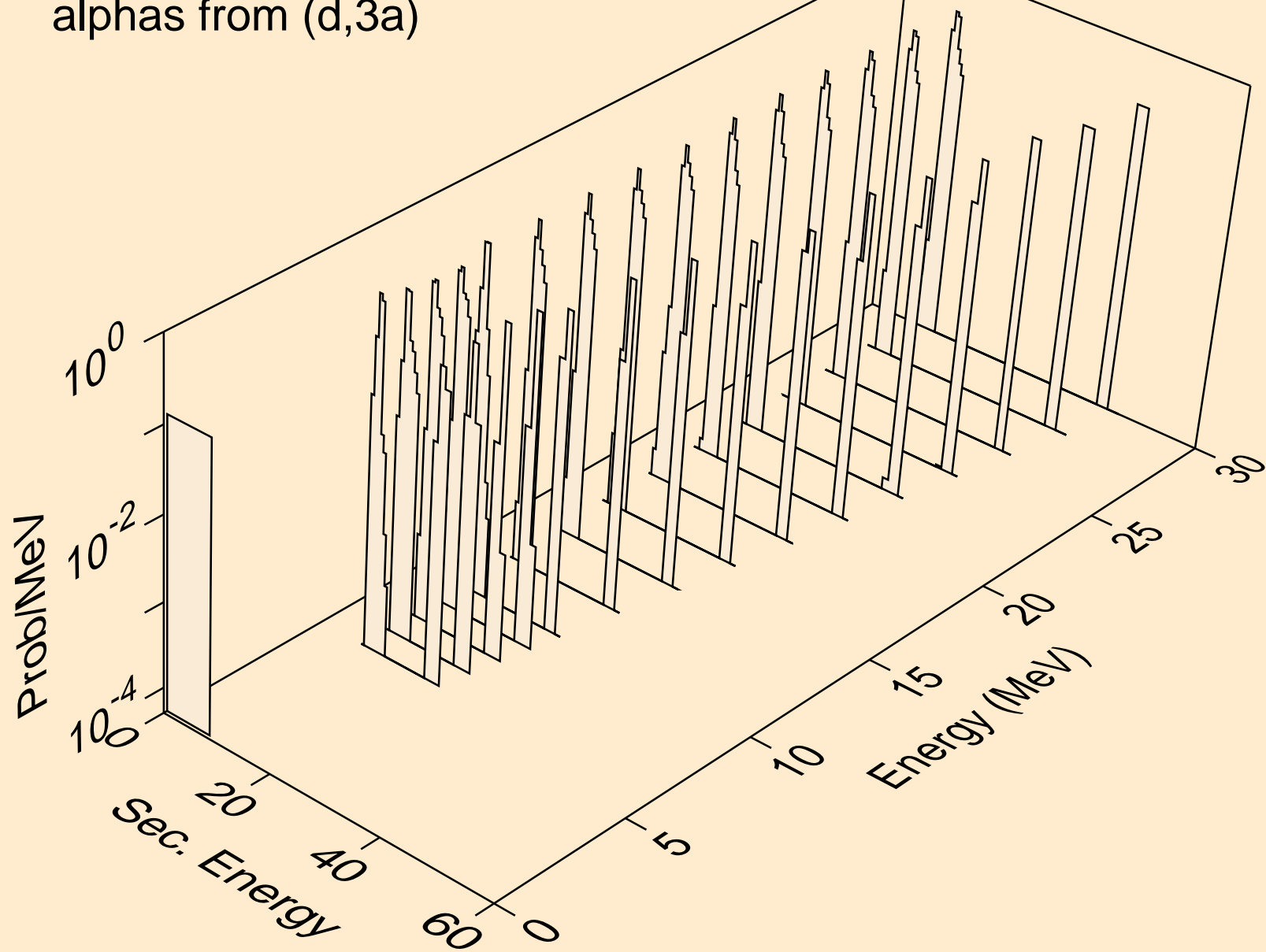
DB255 DEUTERON ACER TENDL-2021 LIBRARY; T=0.K
alphas from (d,a)



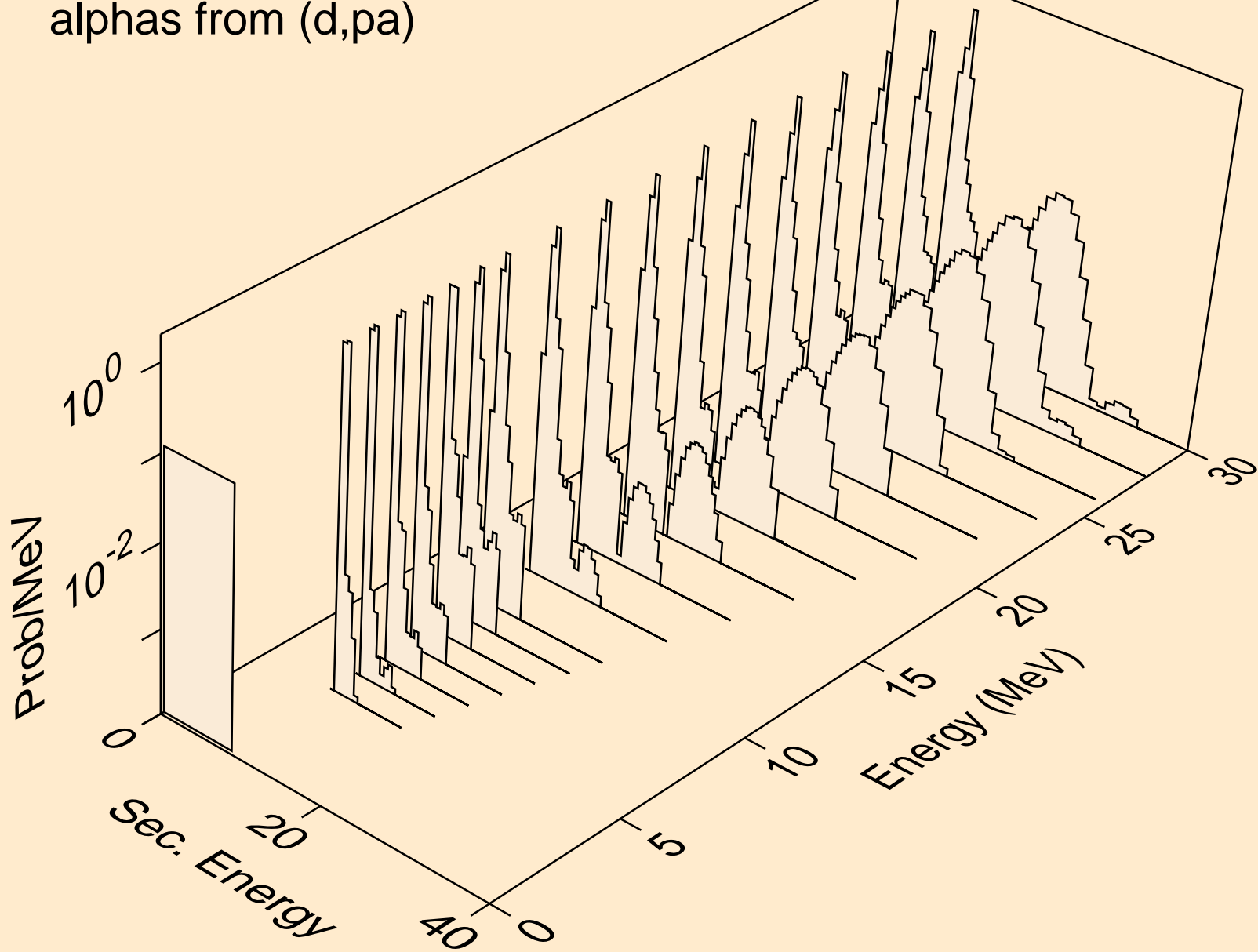
DB255 DEUTERON ACER TENDL-2021 LIBRARY; T=0.K
alphas from (d,2a)



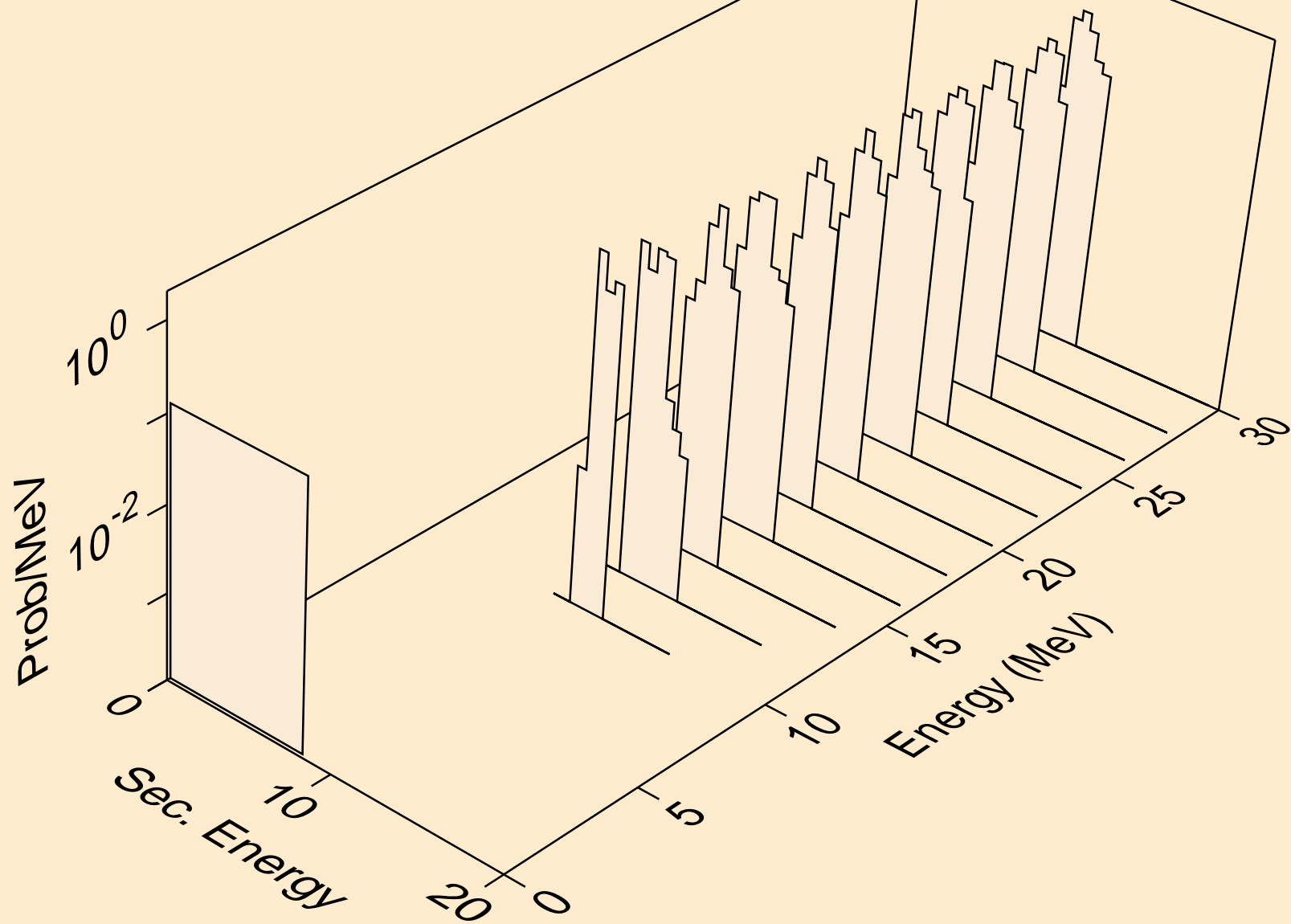
DB255 DEUTERON ACER TENDL-2021 LIBRARY; T=0.K
alphas from (d,3a)



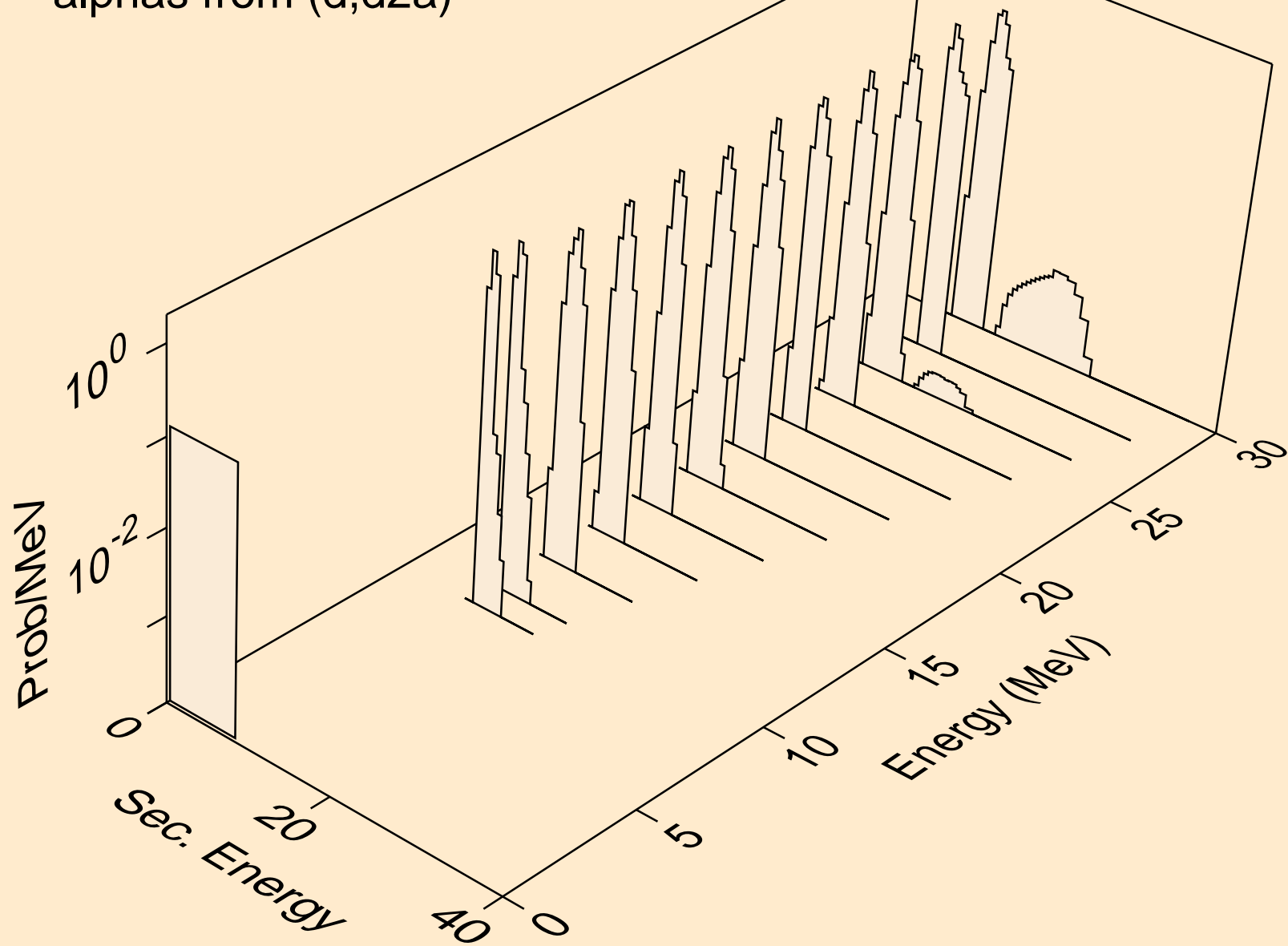
DB255 DEUTERON ACER TENDL-2021 LIBRARY; T=0.K
alphas from (d,pa)



DB255 DEUTERON ACER TENDL-2021 LIBRARY; T=0.K
alphas from (d,t2a)



DB255 DEUTERON ACER TENDL-2021 LIBRARY; T=0.K
alphas from (d,d2a)



DB255 DEUTERON ACER TENDL-2021 LIBRARY; T=0.K
alphas from (d,da)

