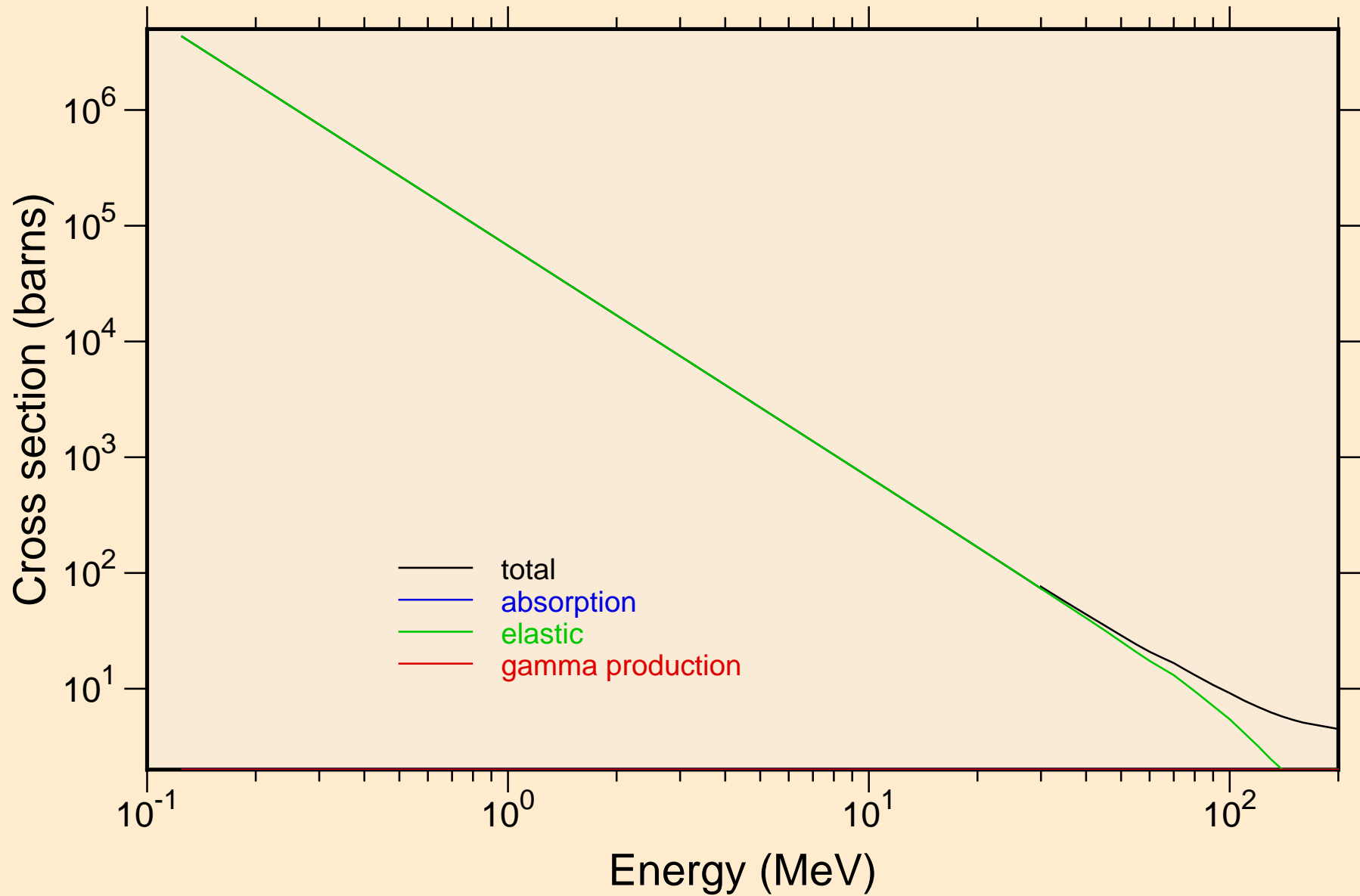
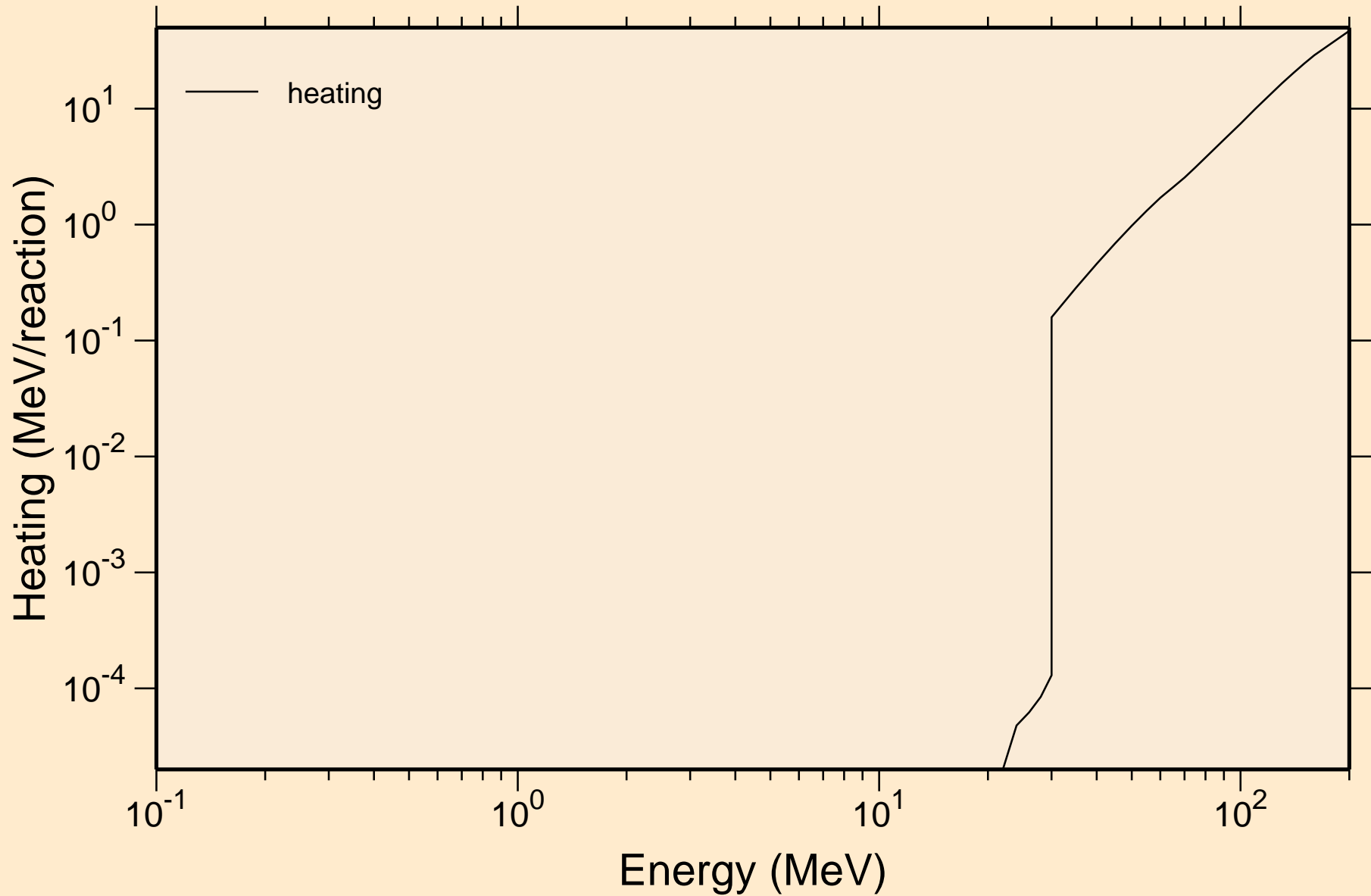


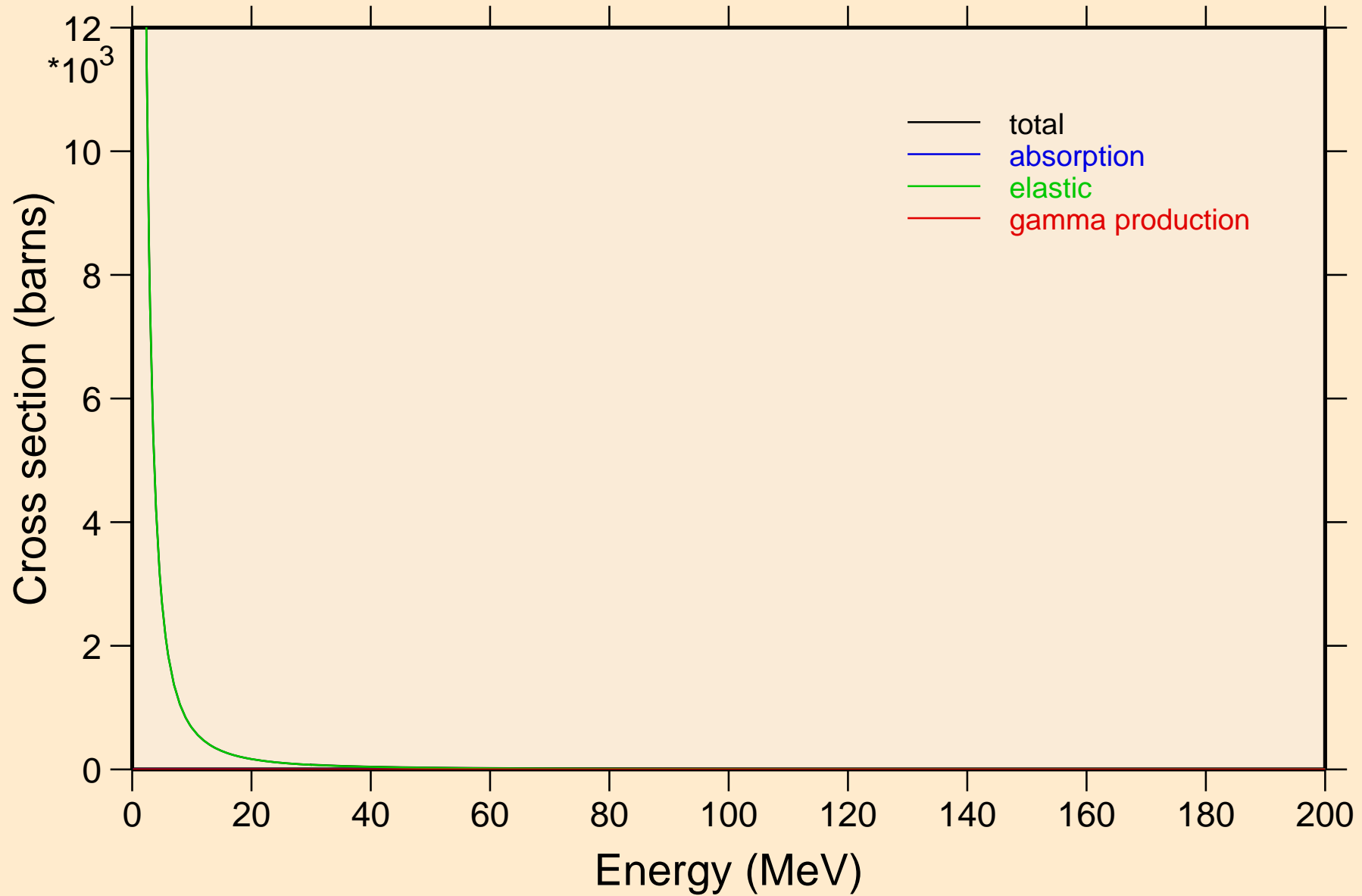
RF268 DEUTERON ACER TENDL-2021 LIBRARY; T=0.K
Principal cross sections



RF268 DEUTERON ACER TENDL-2021 LIBRARY; T=0.K
Heating

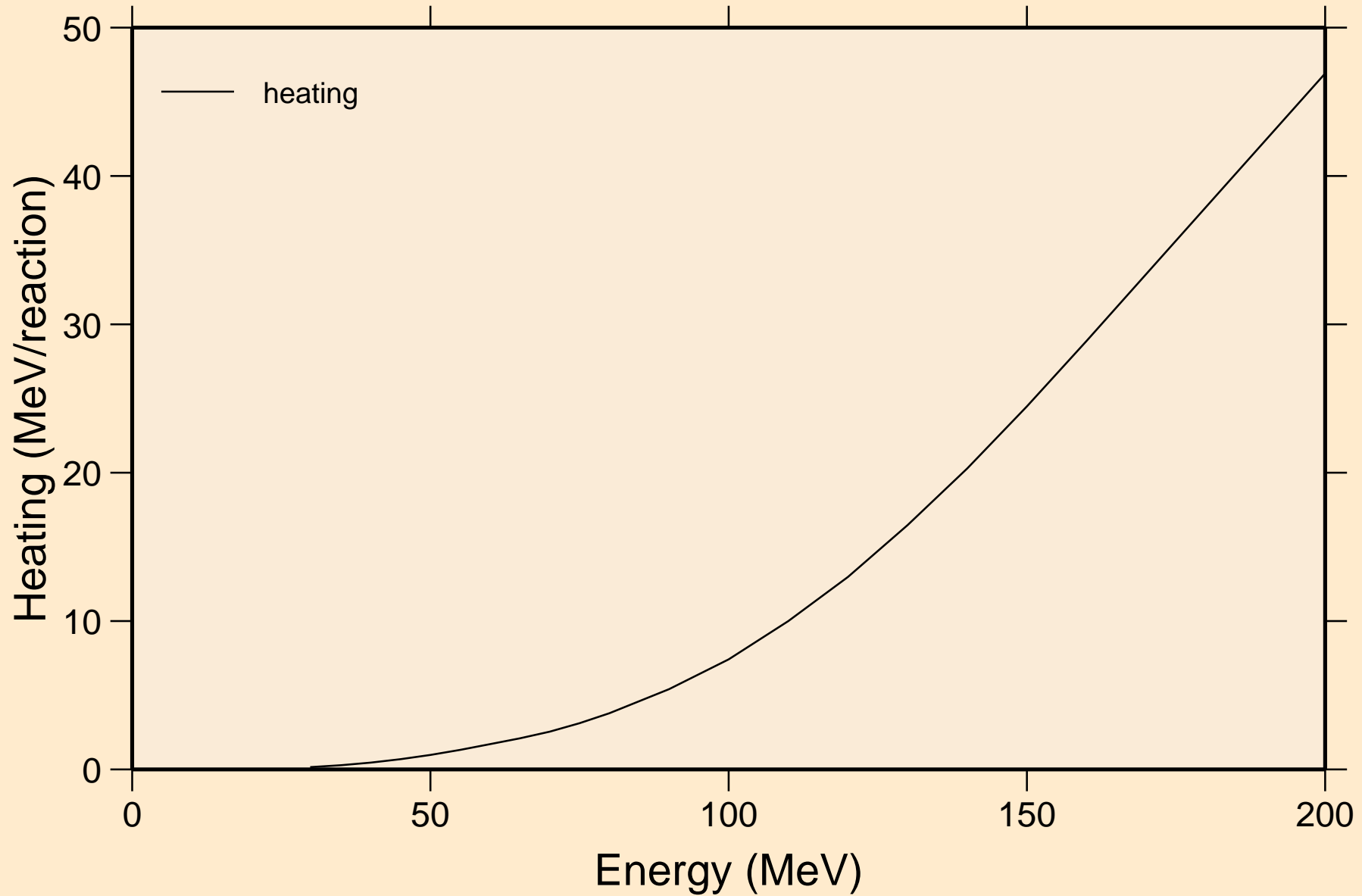


RF268 DEUTERON ACER TENDL-2021 LIBRARY; T=0.K
Principal cross sections



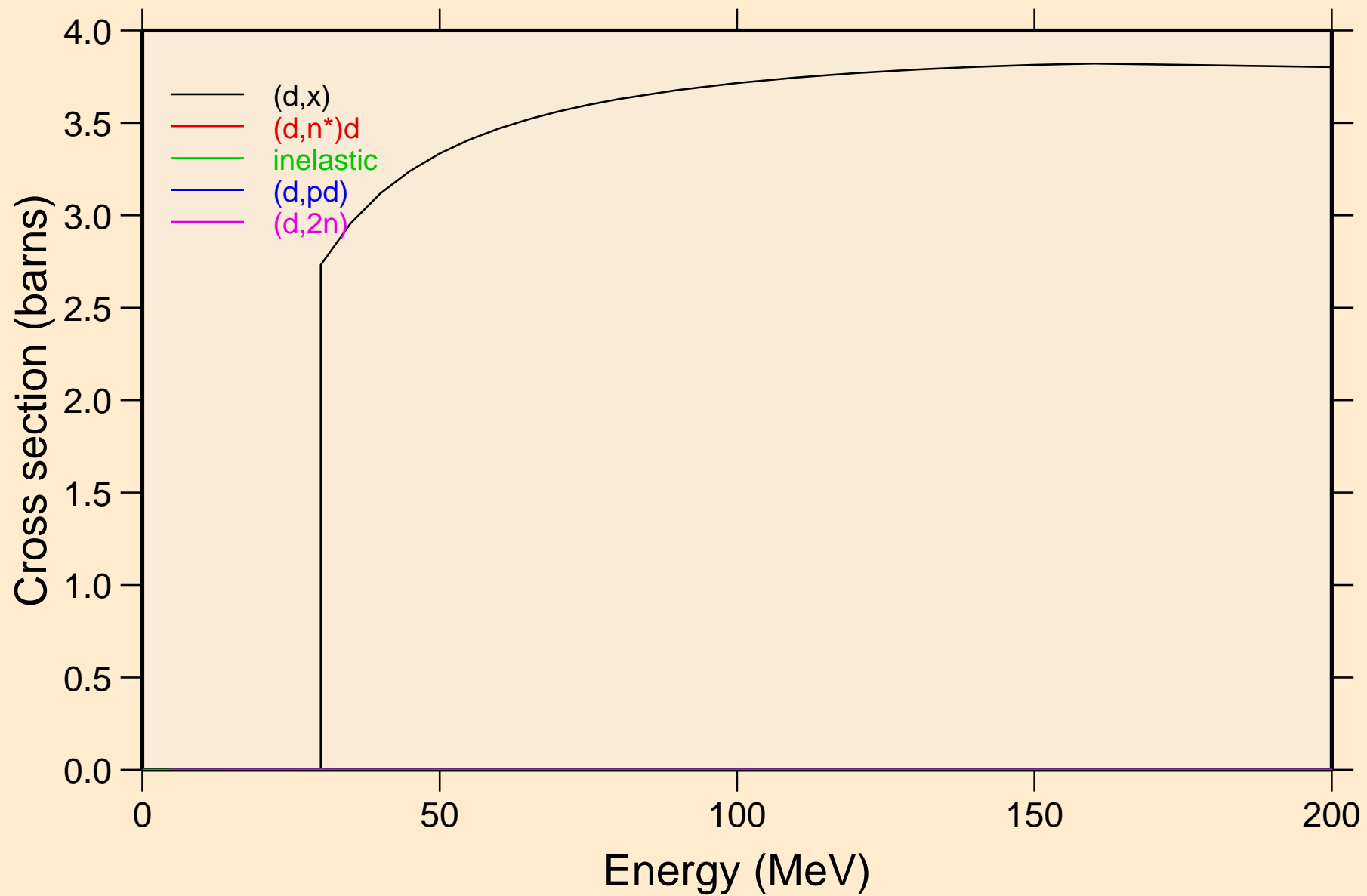
RF268 DEUTERON ACER TENDL-2021 LIBRARY; T=0.K

Heating



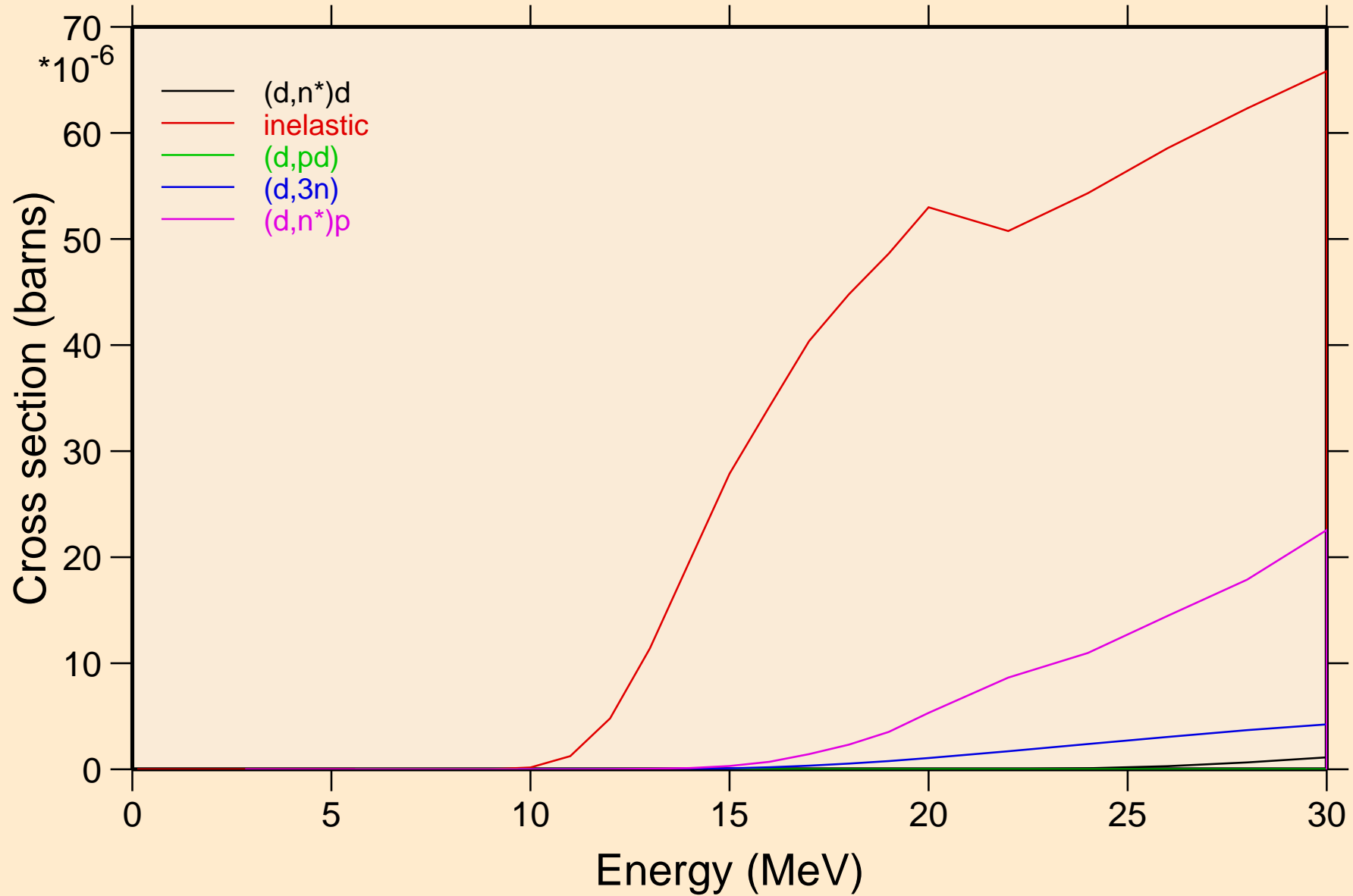
RF268 DEUTERON ACER TENDL-2021 LIBRARY; T=0.K

Threshold reactions

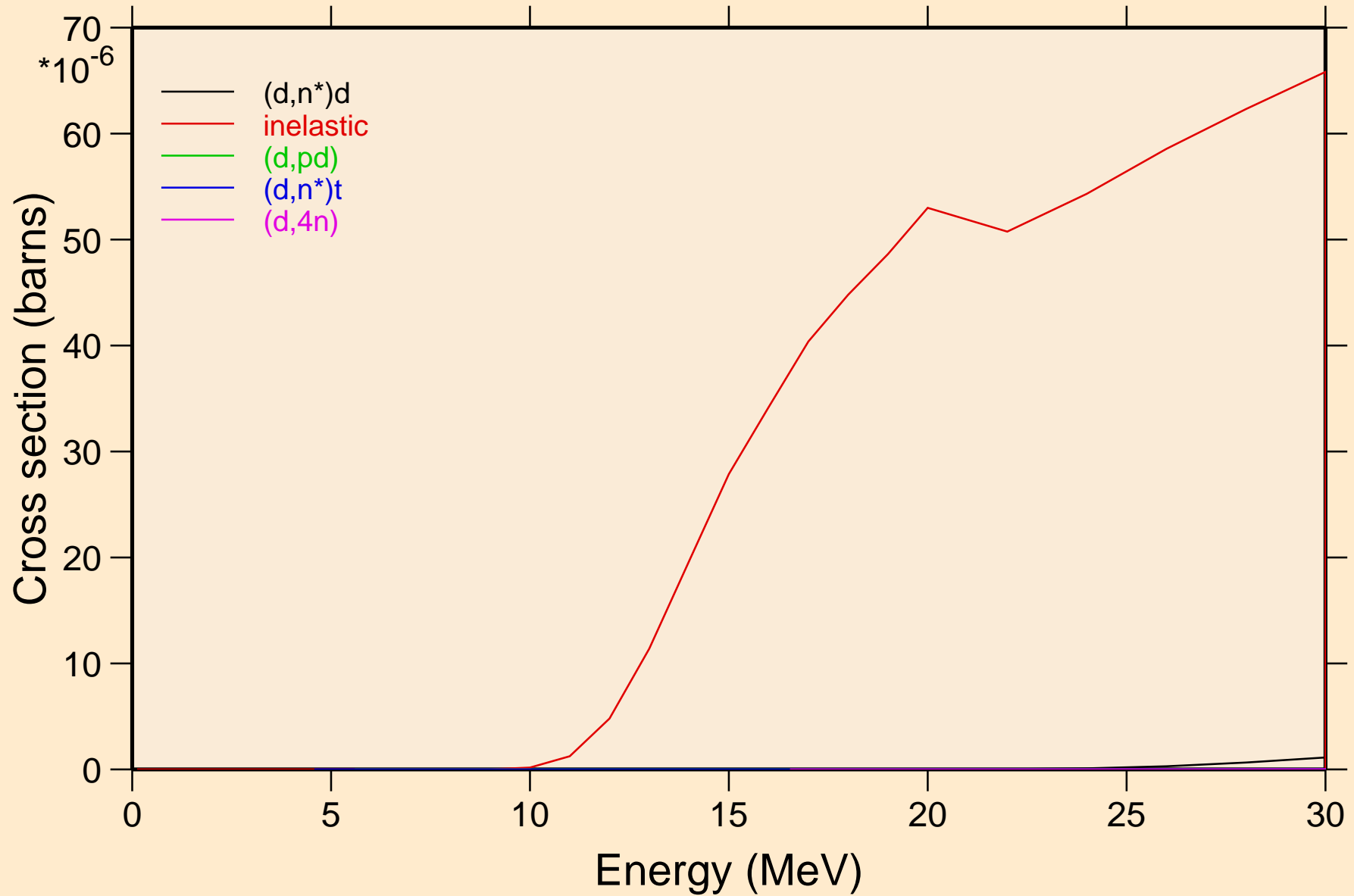


RF268 DEUTERON ACER TENDL-2021 LIBRARY; T=0.K

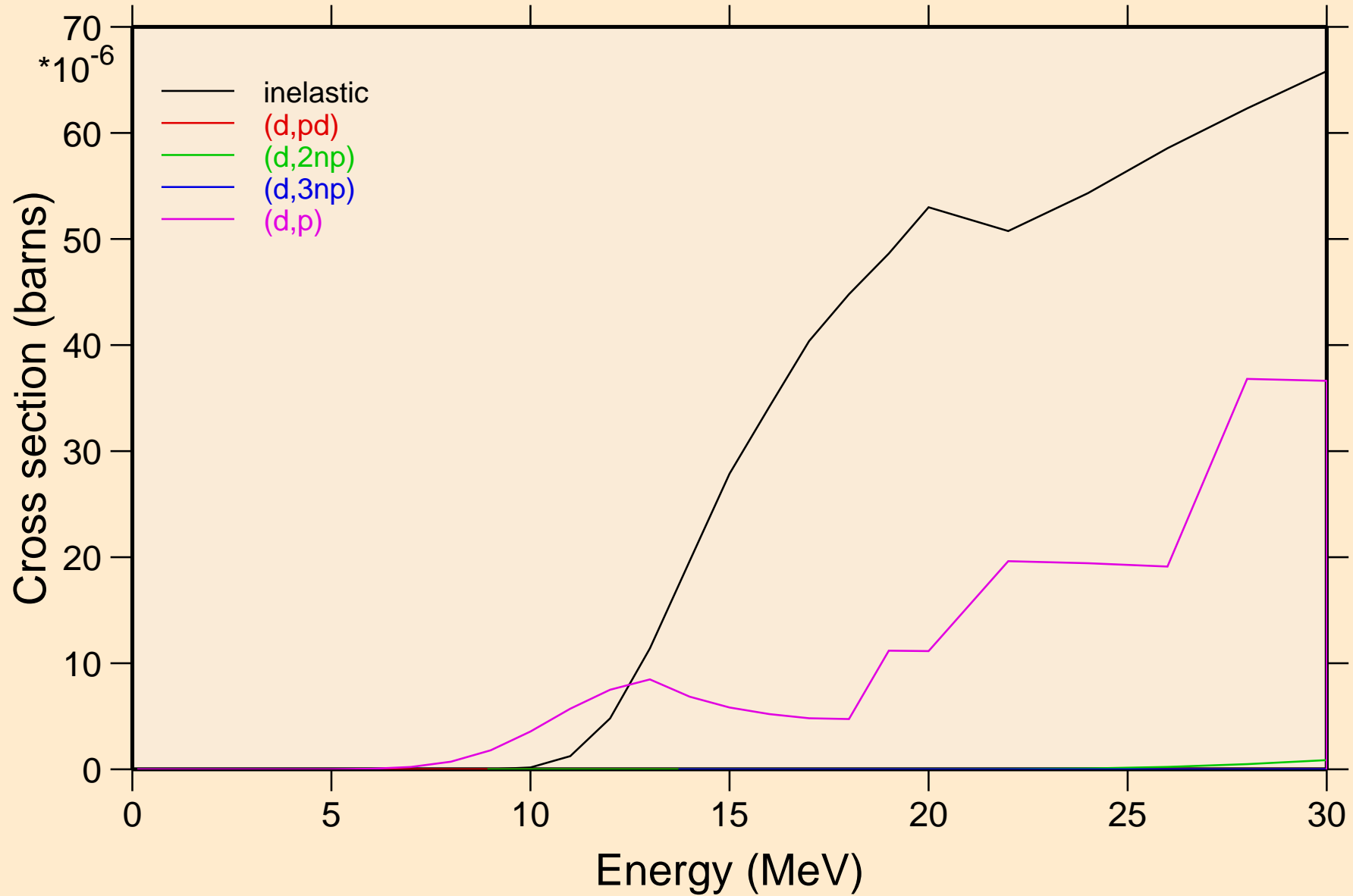
Threshold reactions



RF268 DEUTERON ACER TENDL-2021 LIBRARY; T=0.K
Threshold reactions

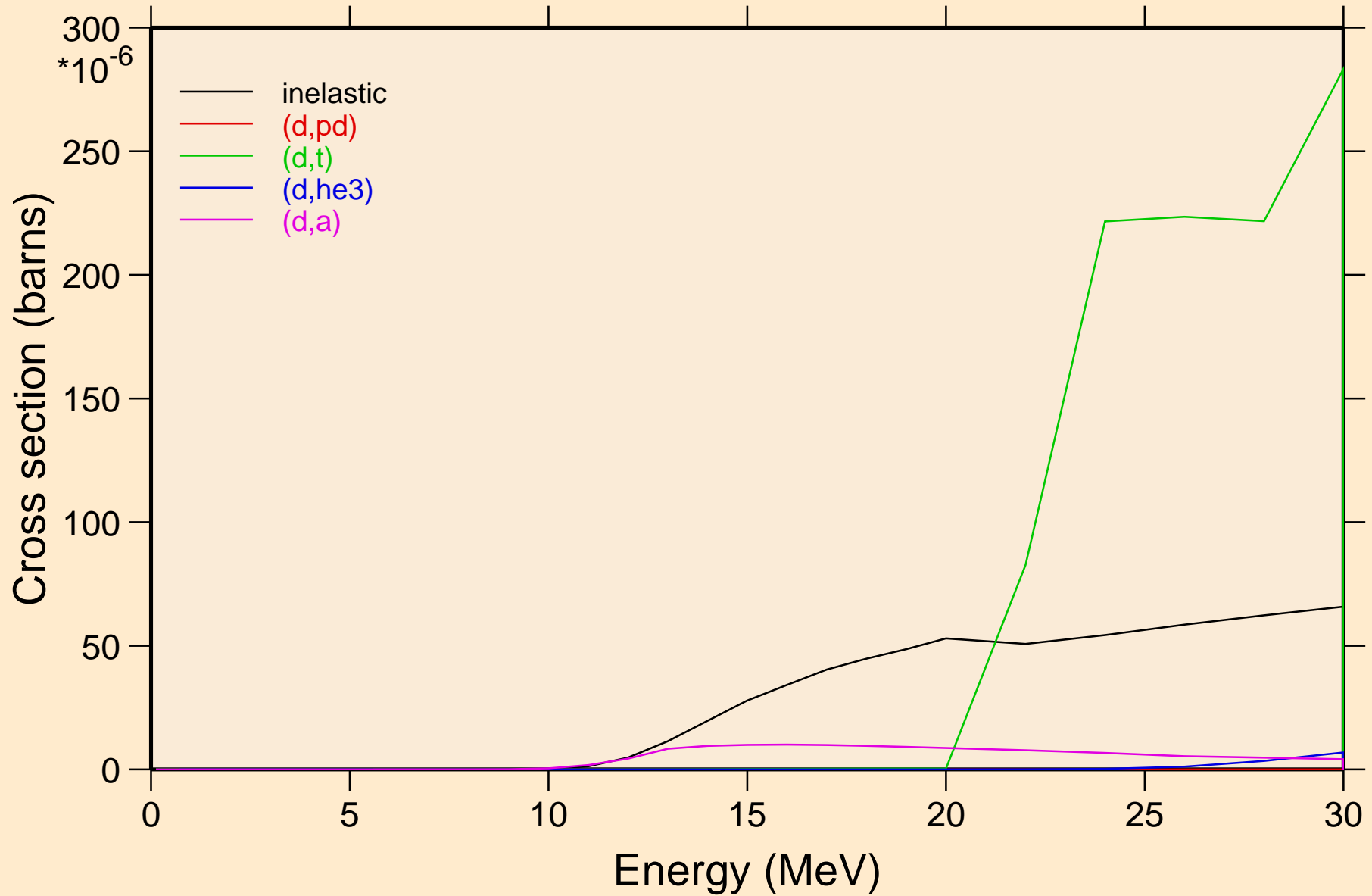


RF268 DEUTERON ACER TENDL-2021 LIBRARY; T=0.K
Threshold reactions

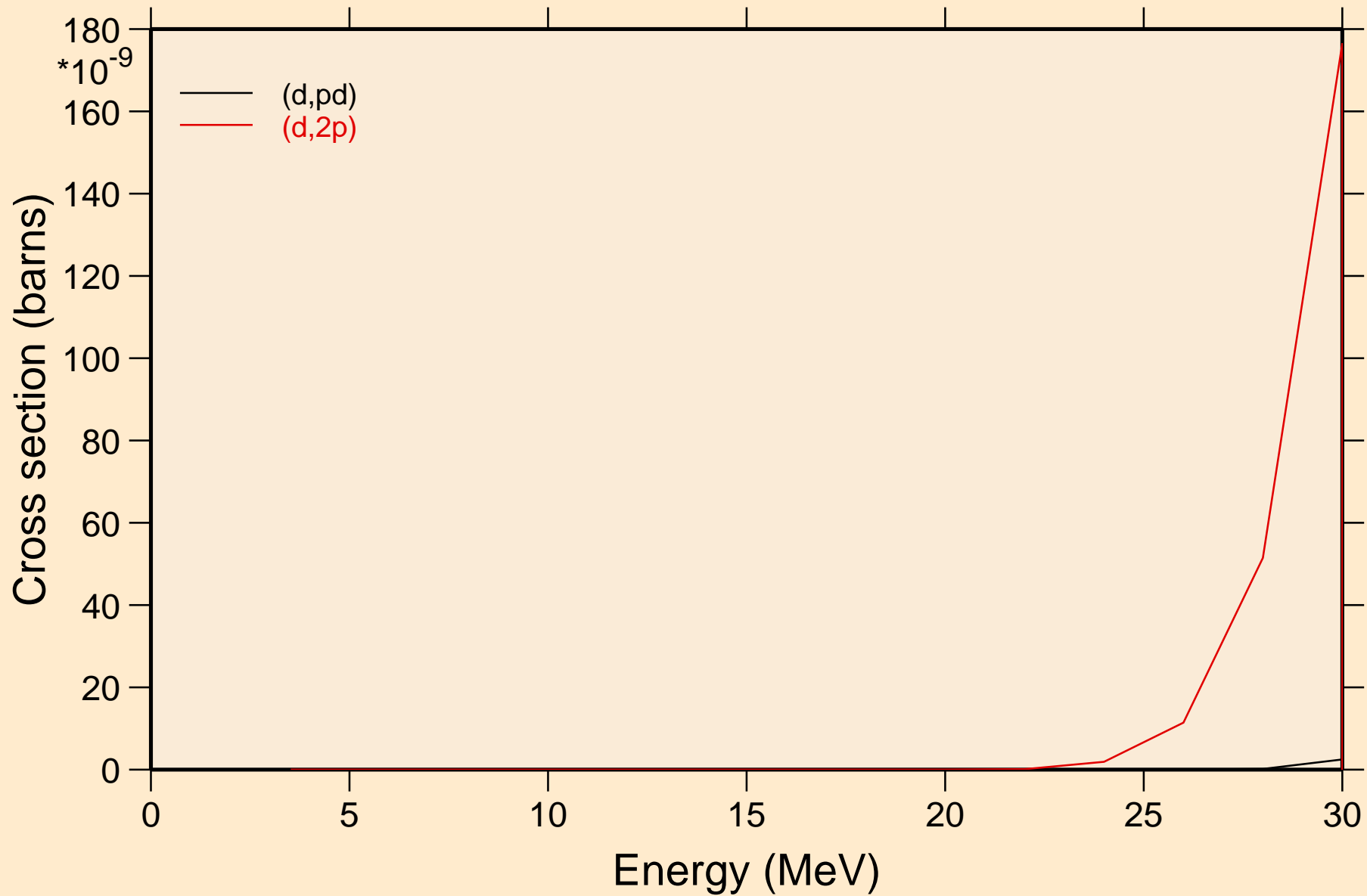


RF268 DEUTERON ACER TENDL-2021 LIBRARY; T=0.K

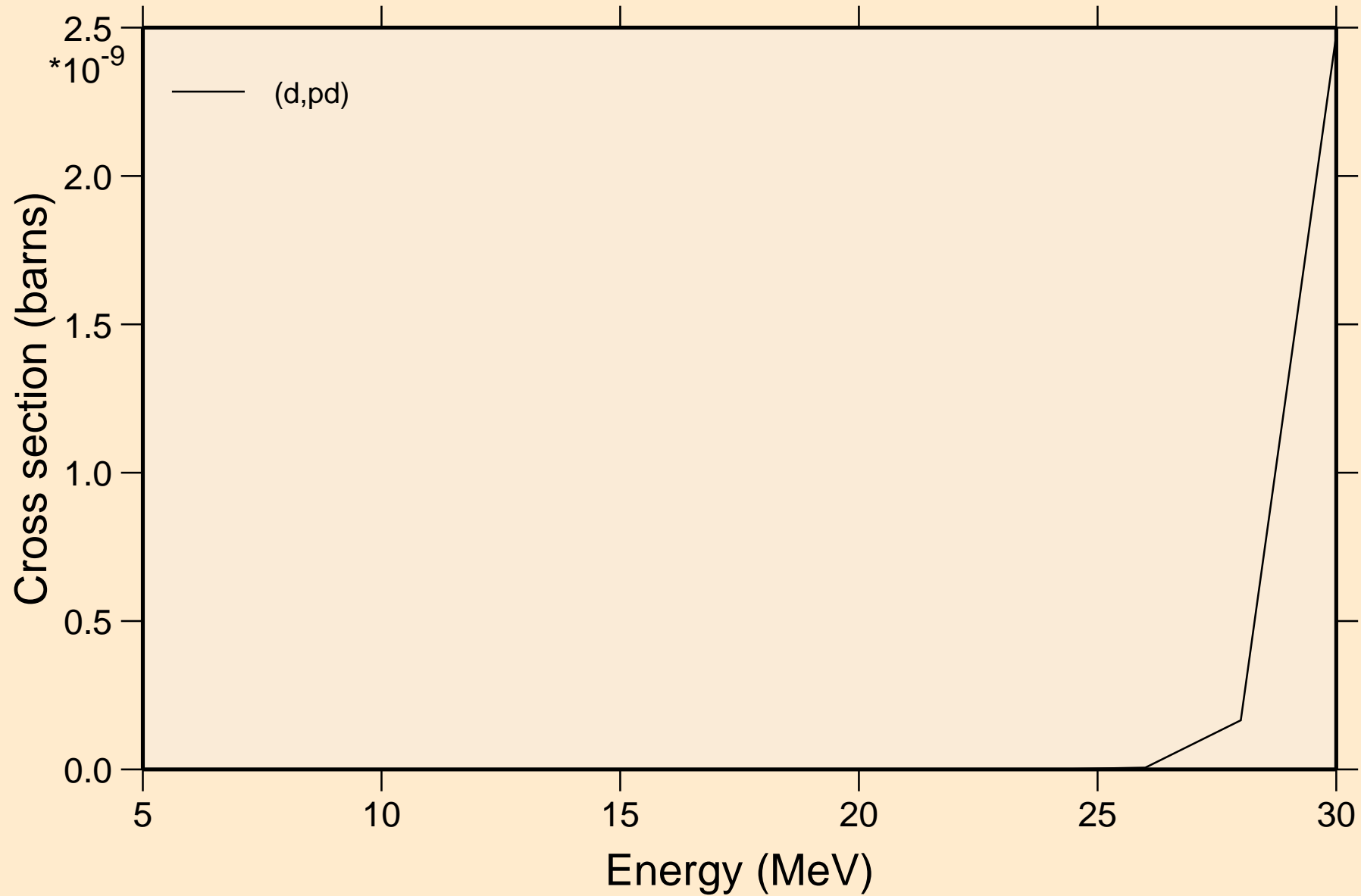
Threshold reactions



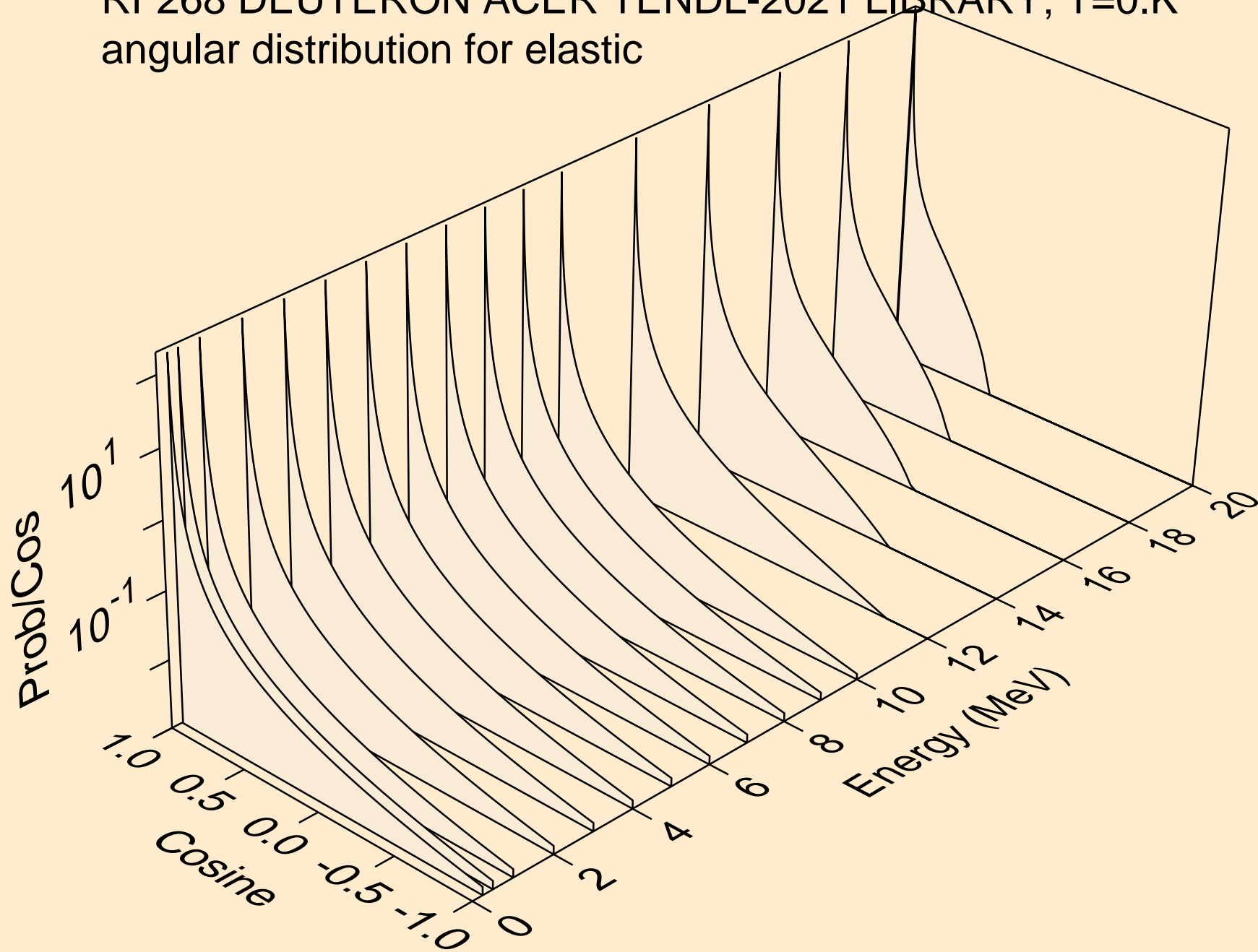
RF268 DEUTERON ACER TENDL-2021 LIBRARY; T=0.K
Threshold reactions



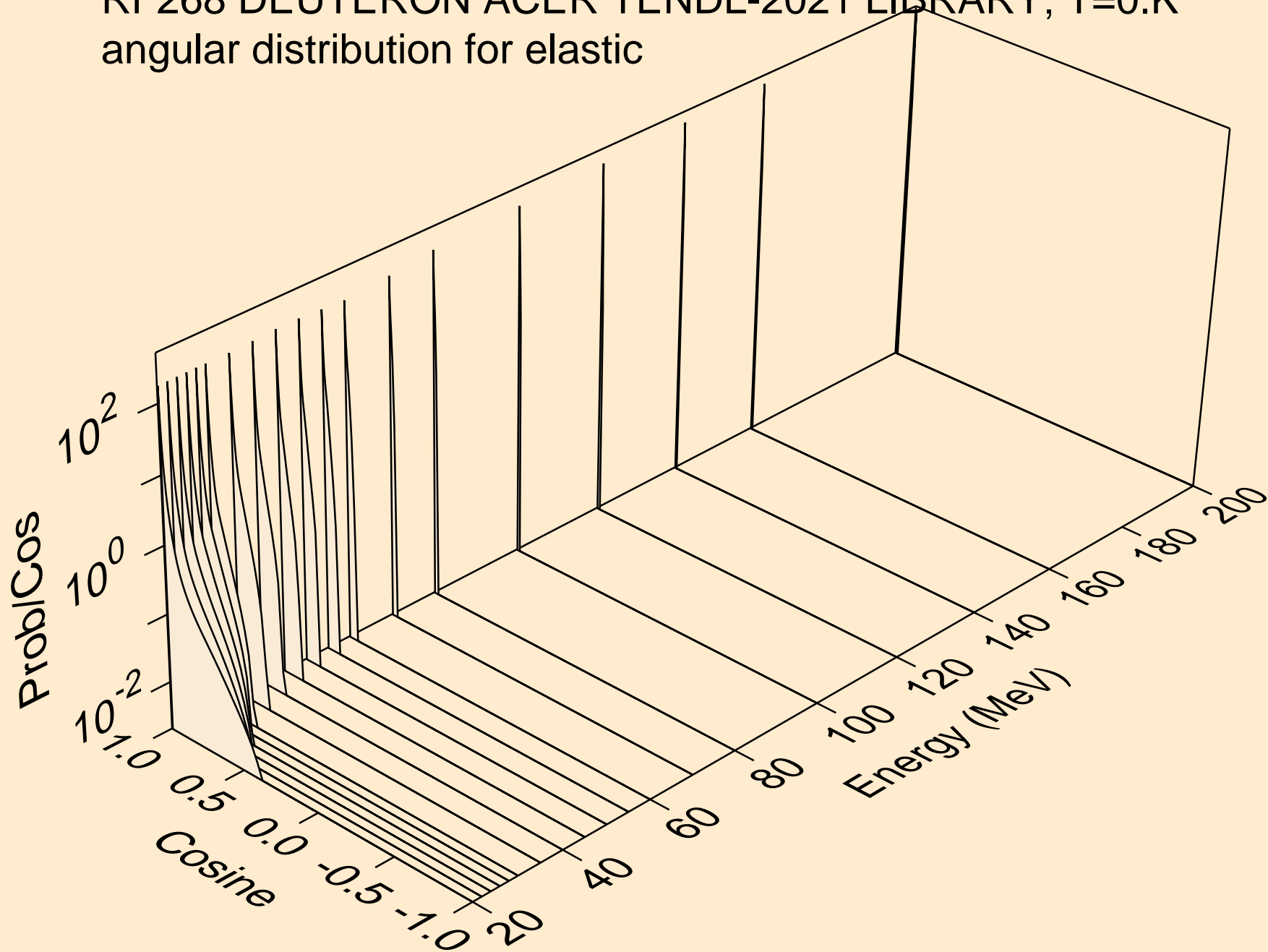
RF268 DEUTERON ACER TENDL-2021 LIBRARY; T=0.K
Threshold reactions



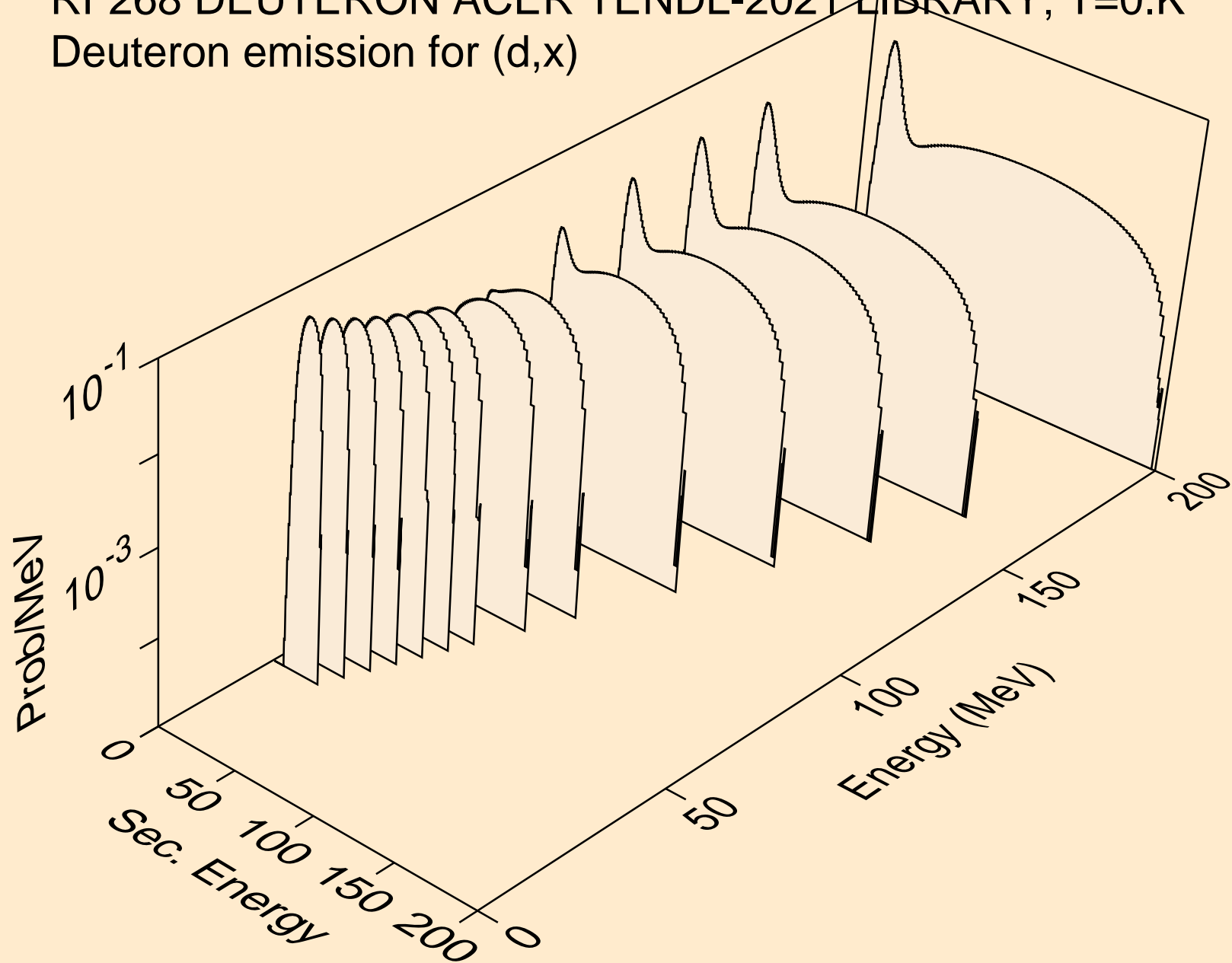
RF268 DEUTERON ACER TENDL-2021 LIBRARY; T=0.K
angular distribution for elastic



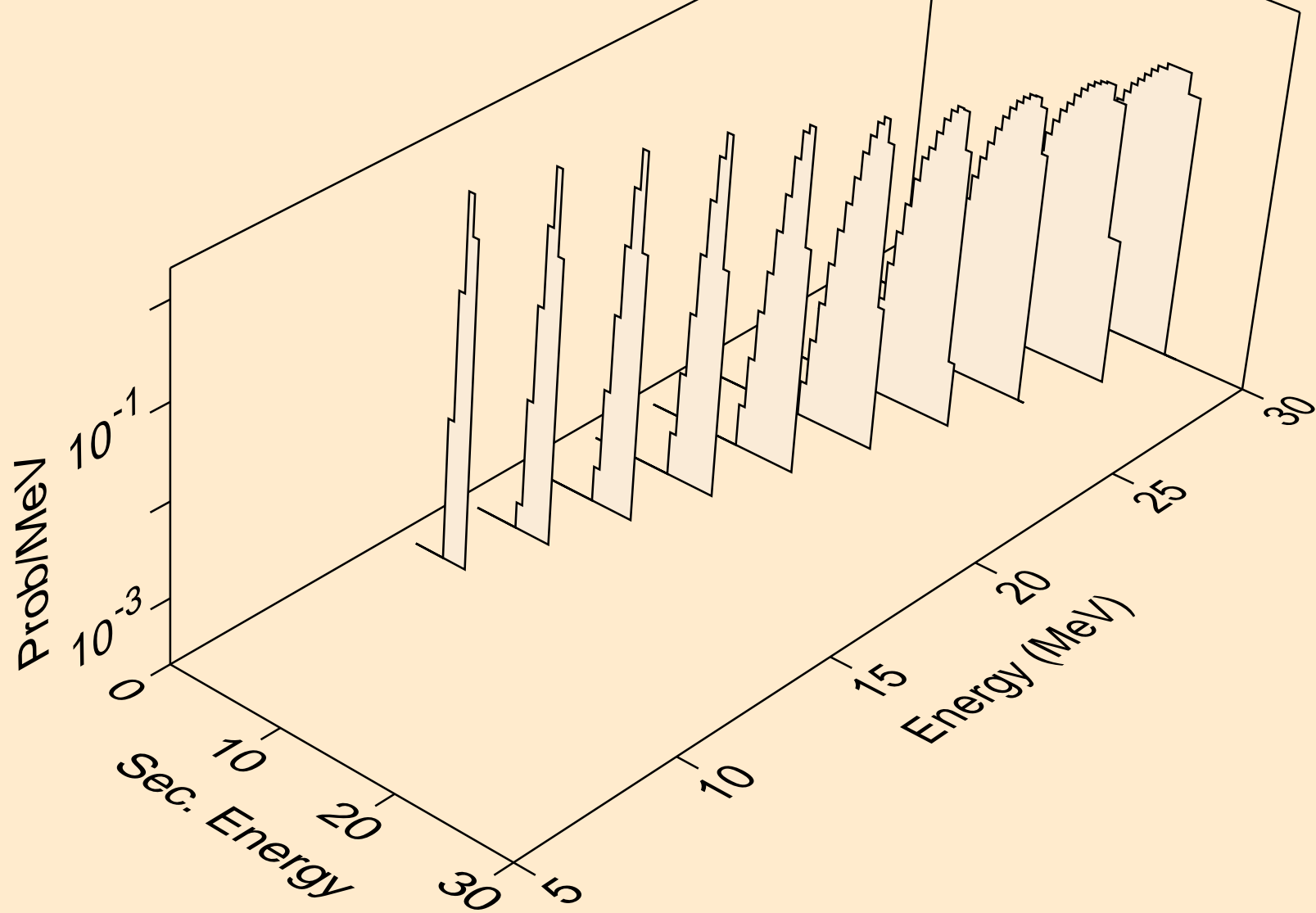
RF268 DEUTERON ACER TENDL-2021 LIBRARY; T=0.K
angular distribution for elastic



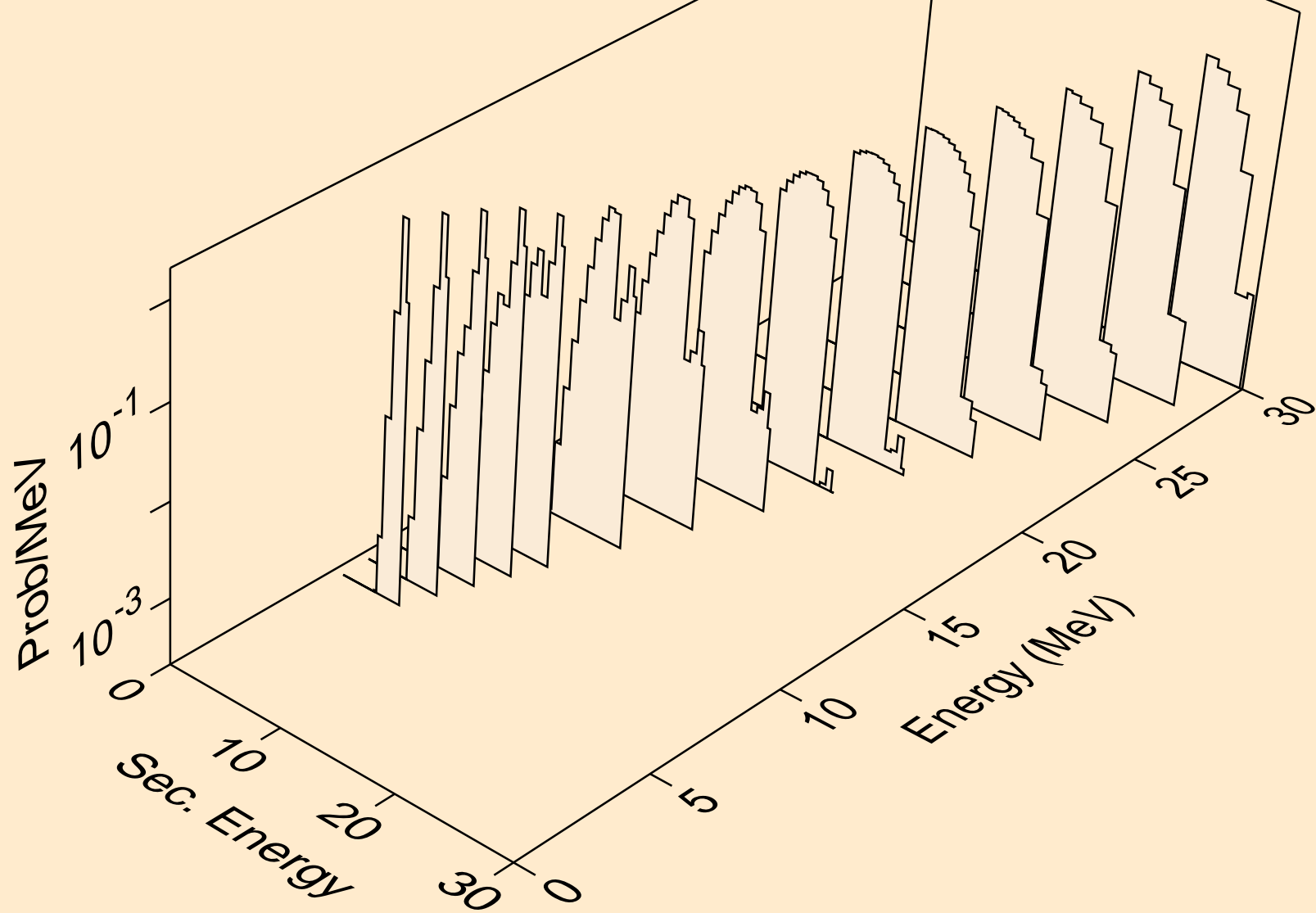
RF268 DEUTERON ACER TENDL-2021 LIBRARY; T=0.K
Deuteron emission for (d,x)



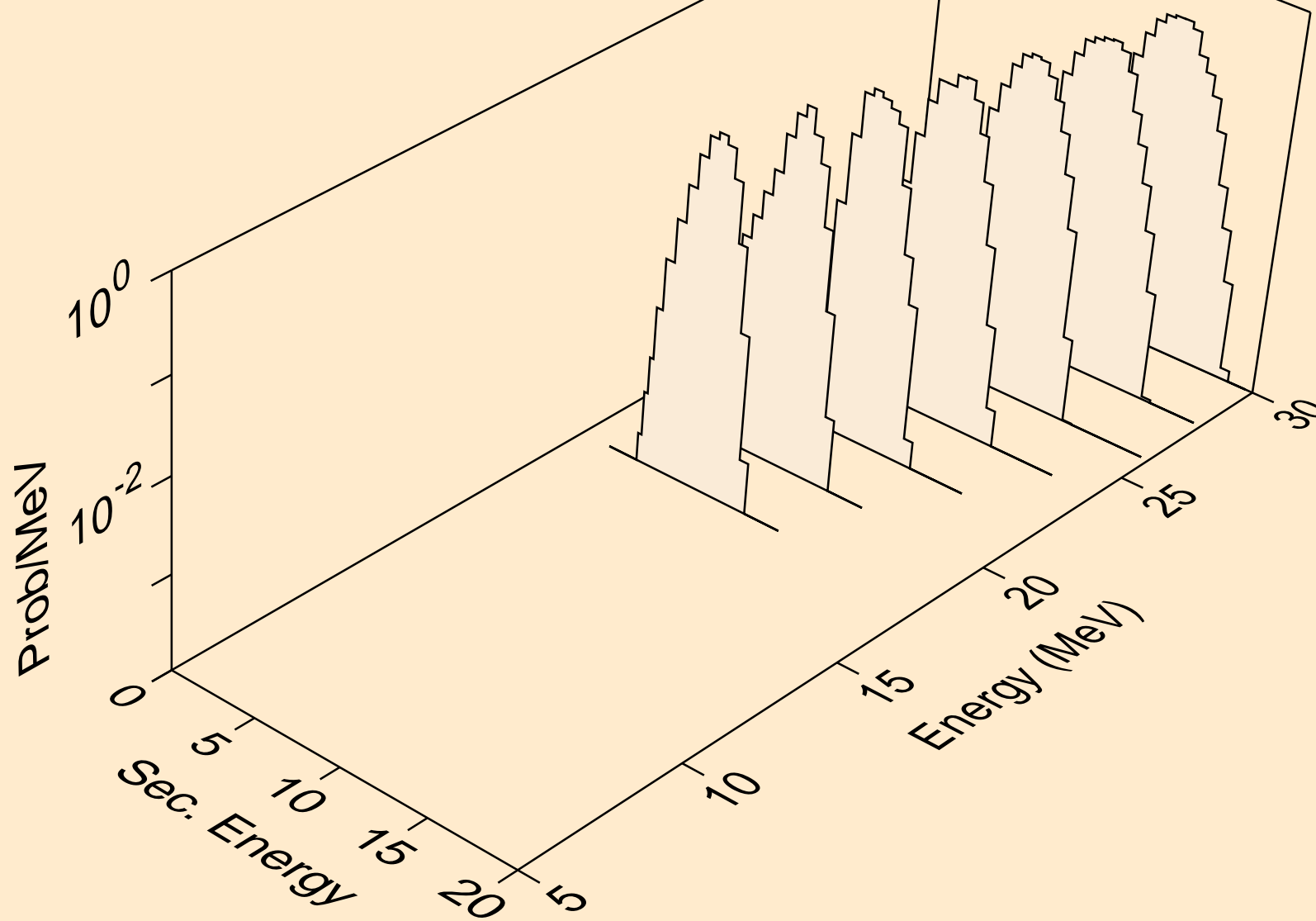
RF268 DEUTERON ACER TENDL-2021 LIBRARY; T=0.K
Deuteron emission for (d,n*)d



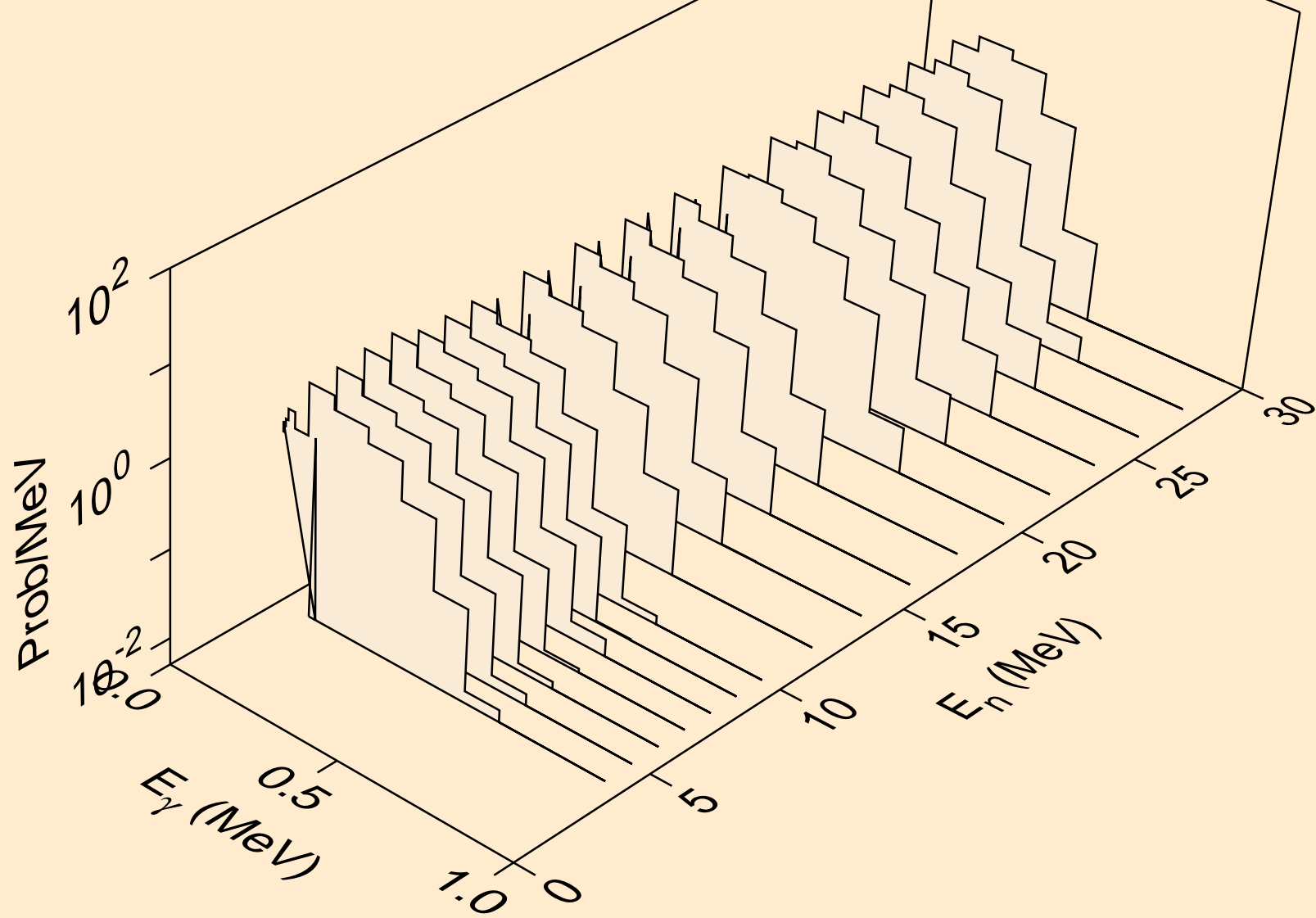
RF268 DEUTERON ACER TENDL-2021 LIBRARY; T=0.K
Deuteron emission for inelastic



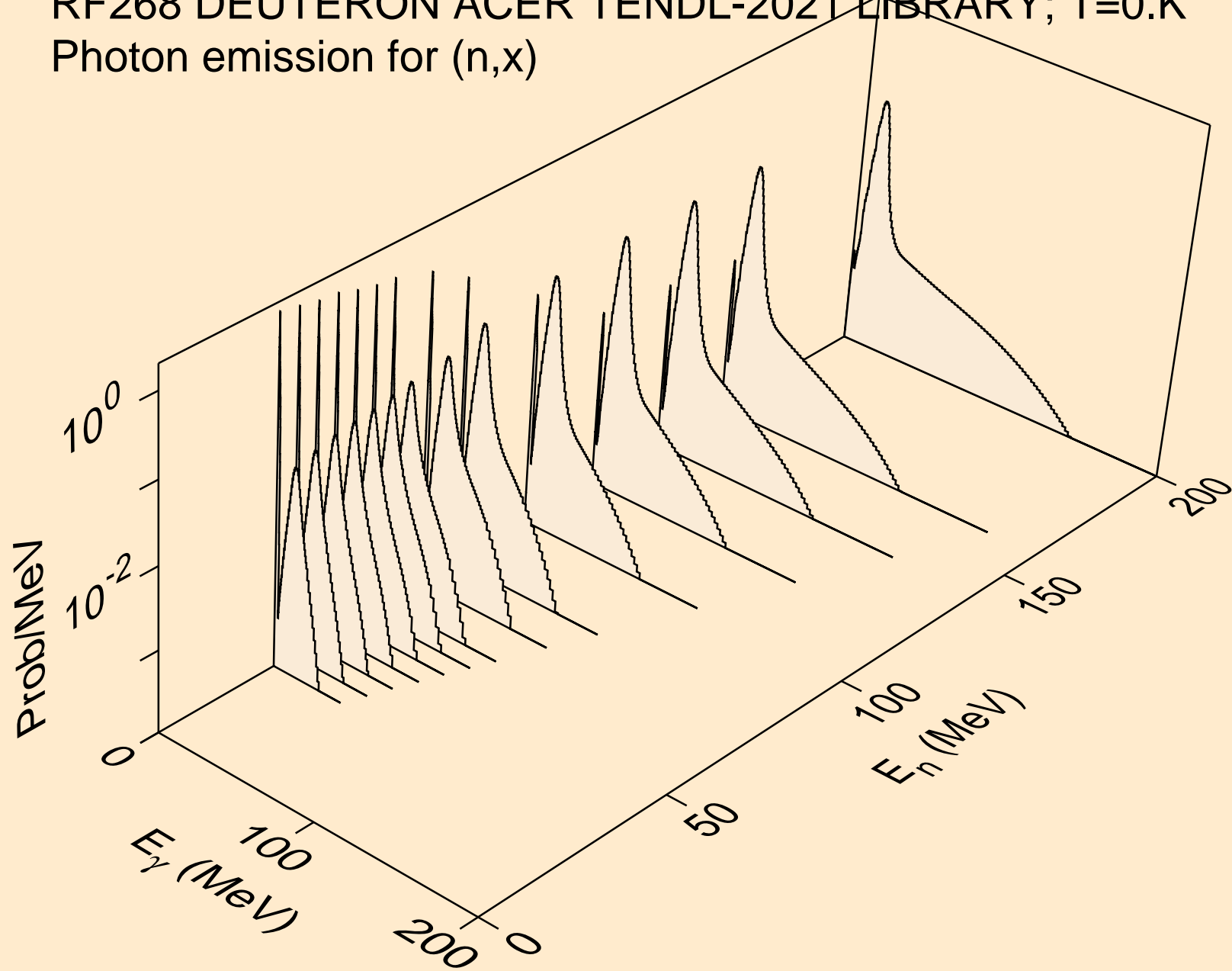
RF268 DEUTERON ACER TENDL-2021 LIBRARY; T=0.K
Deuteron emission for (d,pd)



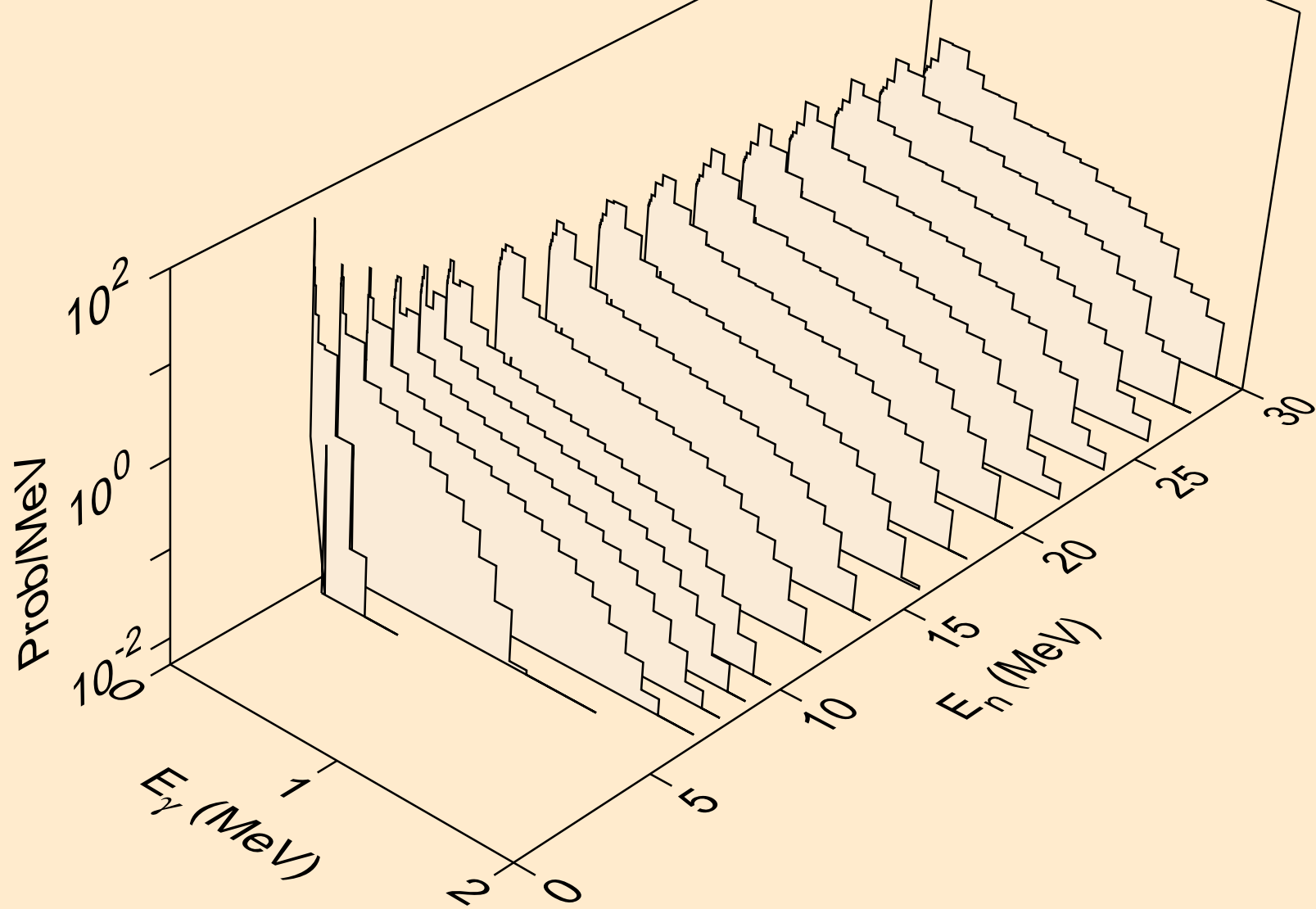
RF268 DEUTERON ACER TENDL-2021 LIBRARY; T=0.K
Photon emission for (z,n)



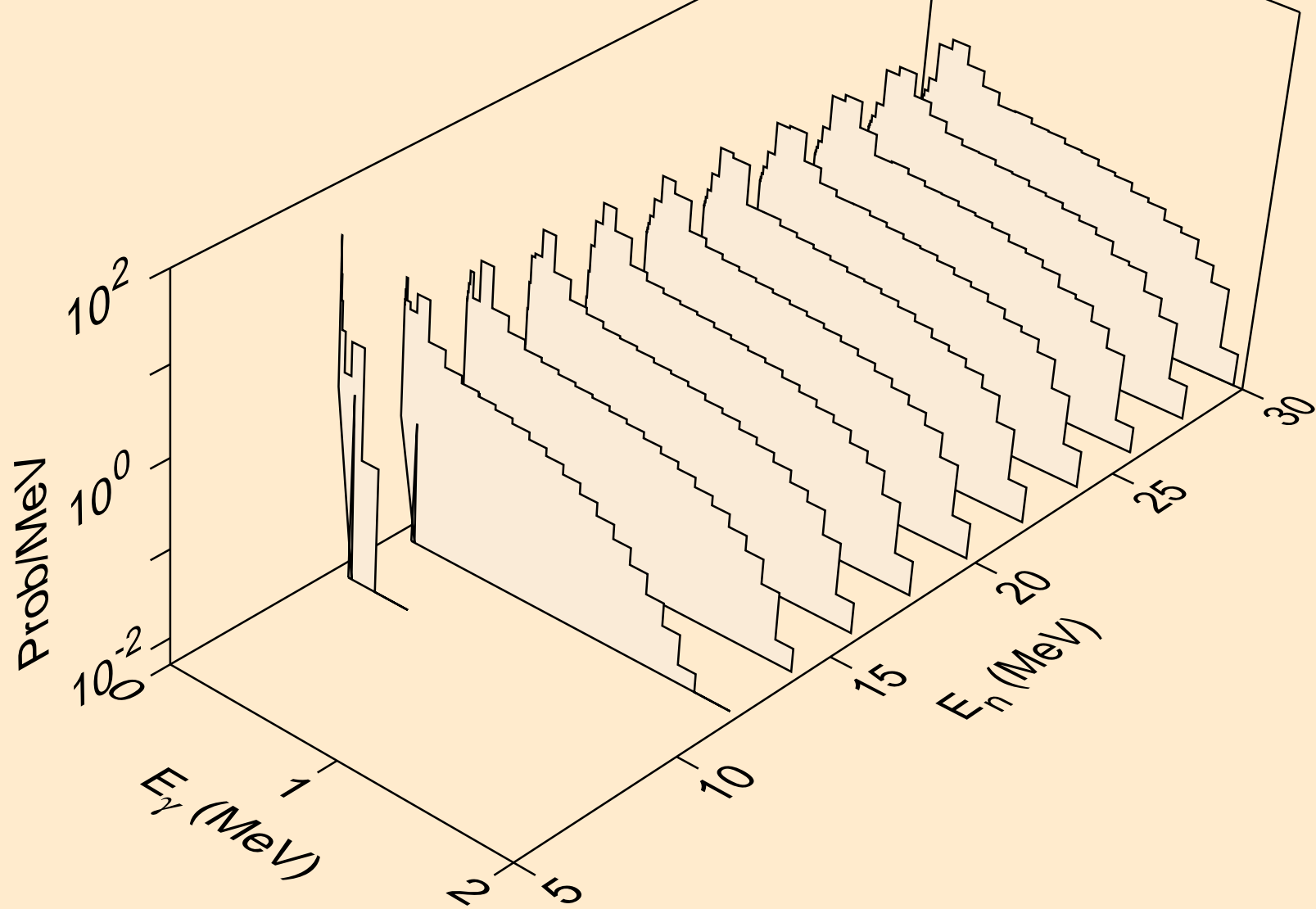
RF268 DEUTERON ACER TENDL-2021 LIBRARY; T=0.K
Photon emission for (n,x)



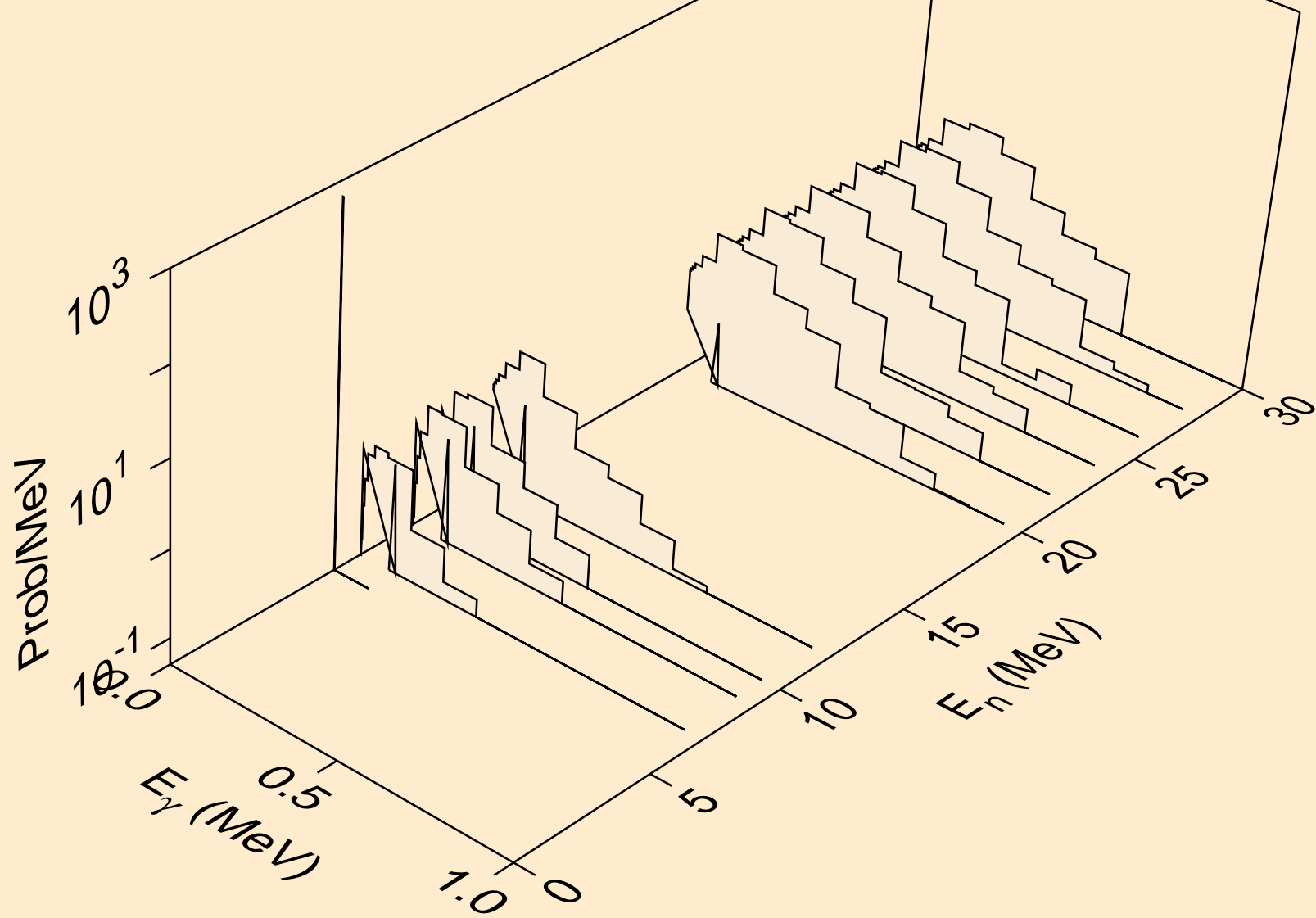
RF268 DEUTERON ACER TENDL-2021 LIBRARY; T=0.K
Photon emission for (n,2n)



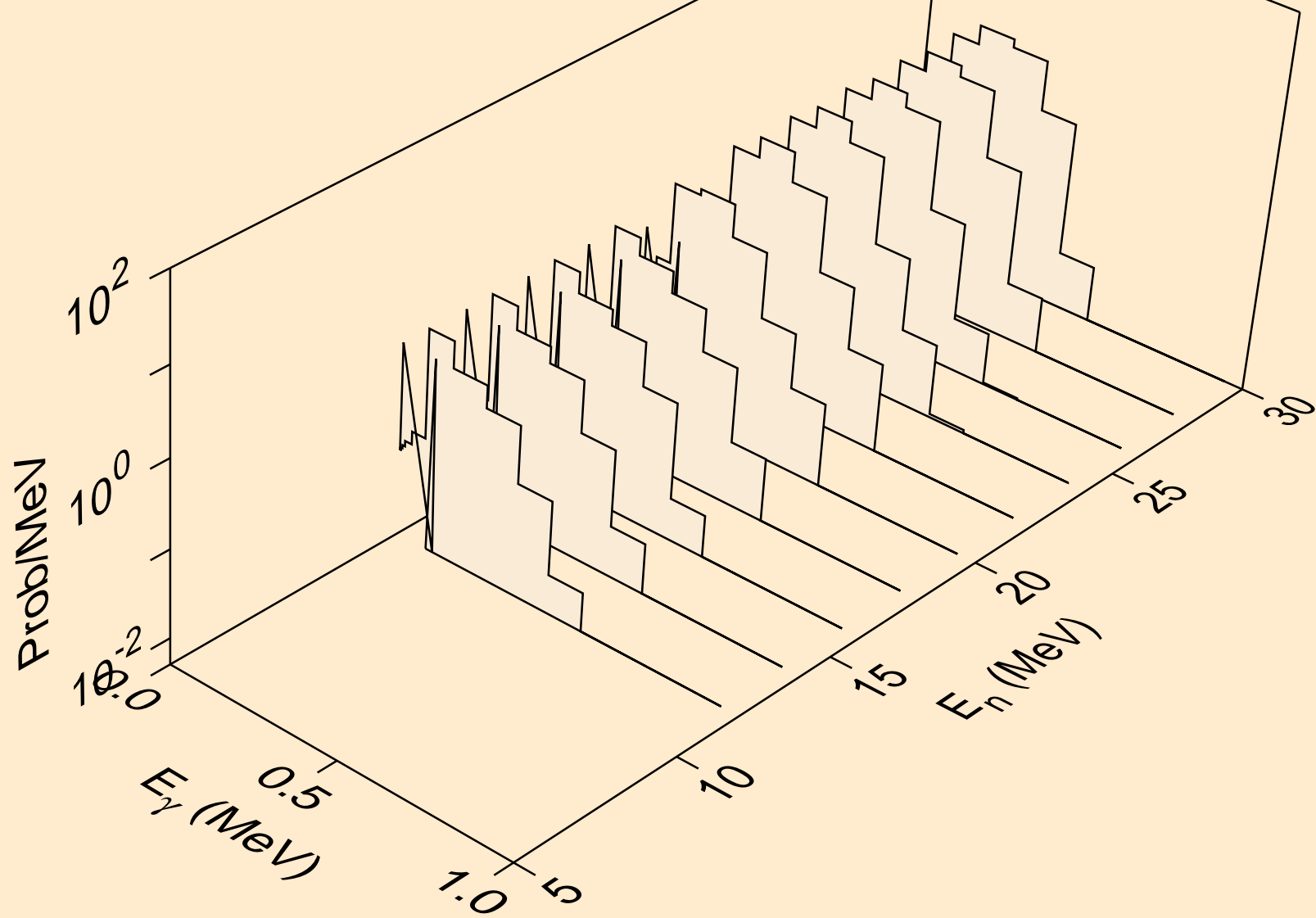
RF268 DEUTERON ACER TENDL-2021 LIBRARY; T=0.K
Photon emission for (n,3n)



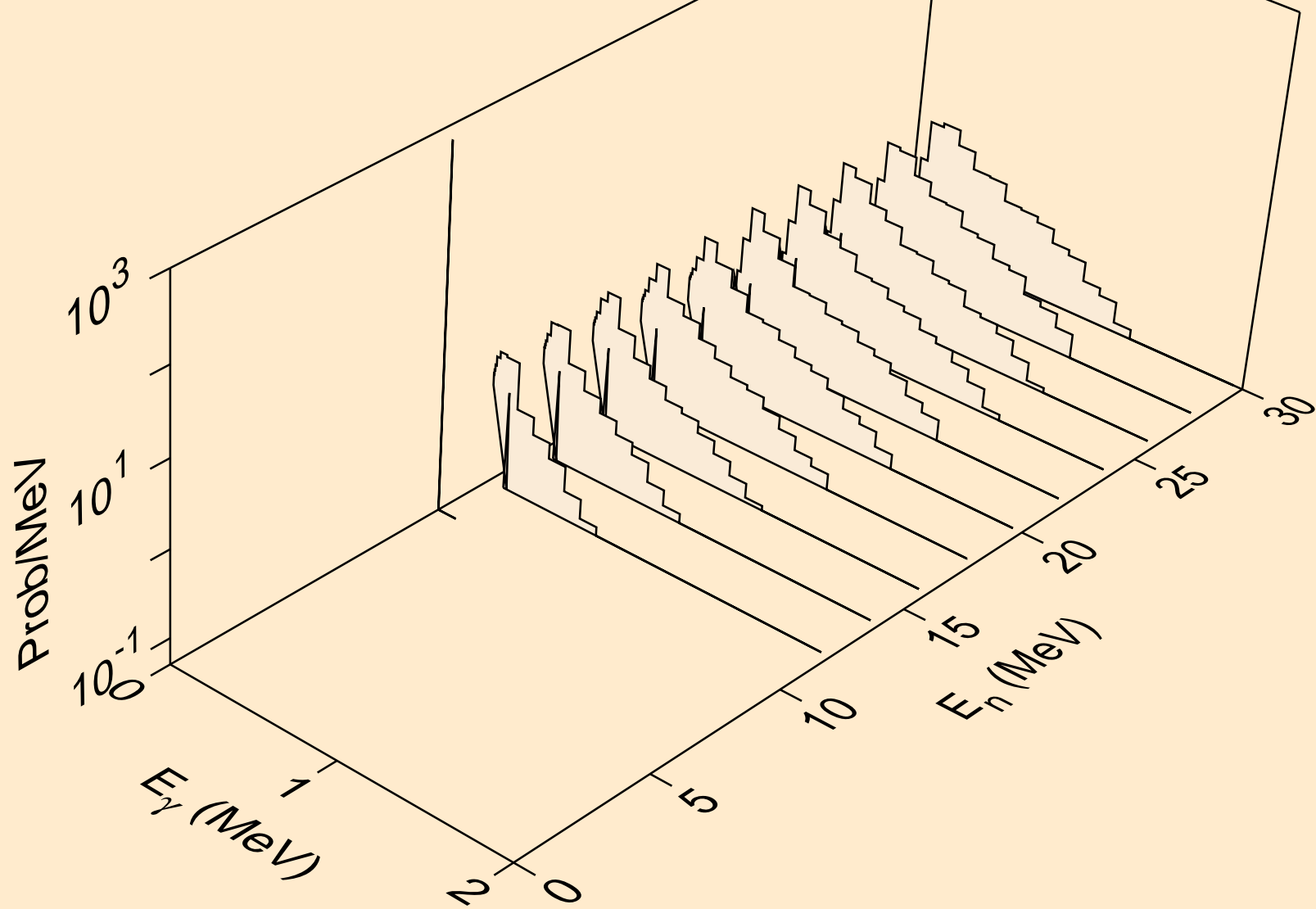
RF268 DEUTERON ACER TENDL-2021 LIBRARY; T=0.K
Photon emission for (n,n*)p



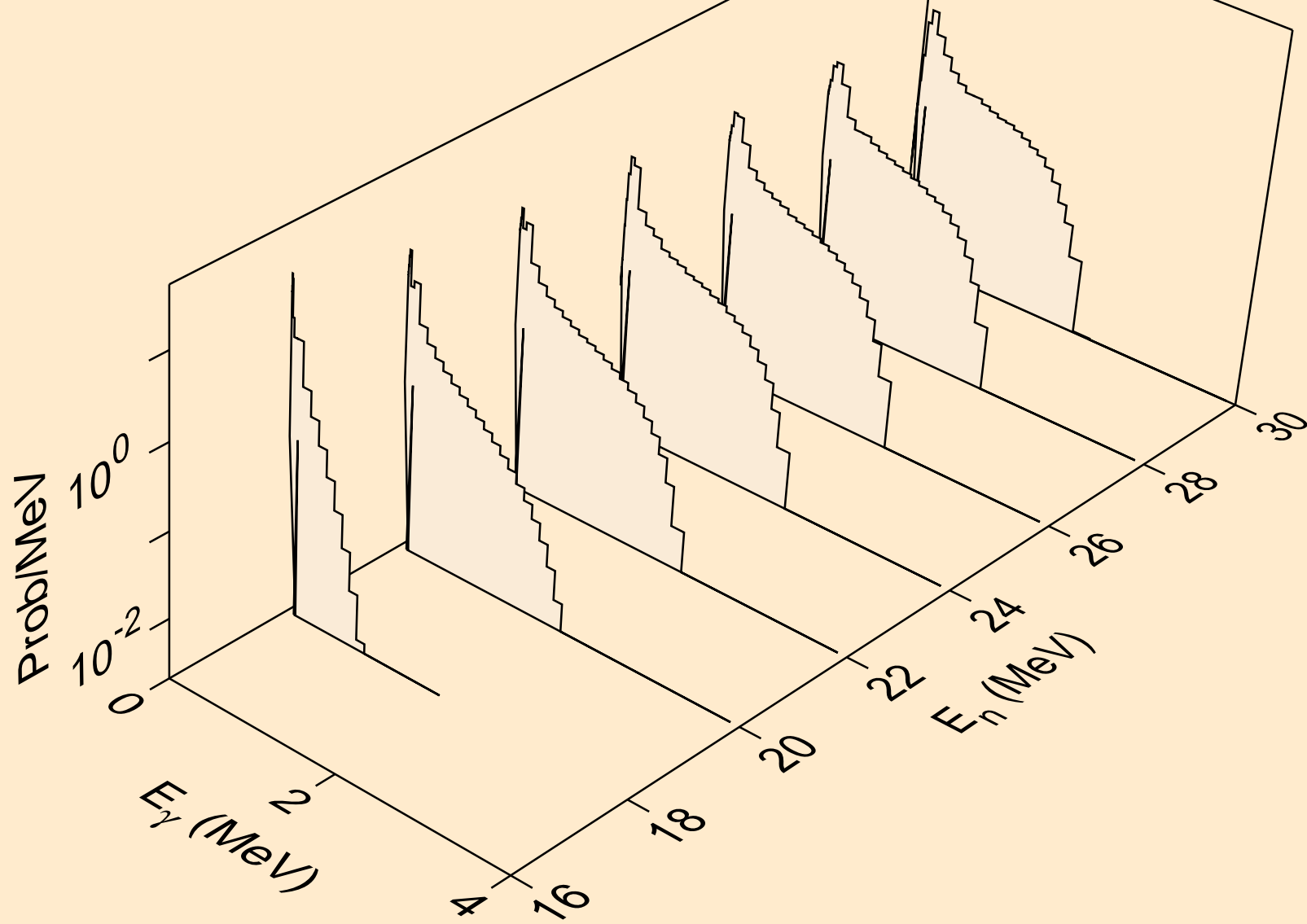
RF268 DEUTERON ACER TENDL-2021 LIBRARY; T=0.K
Photon emission for (n,n*)d



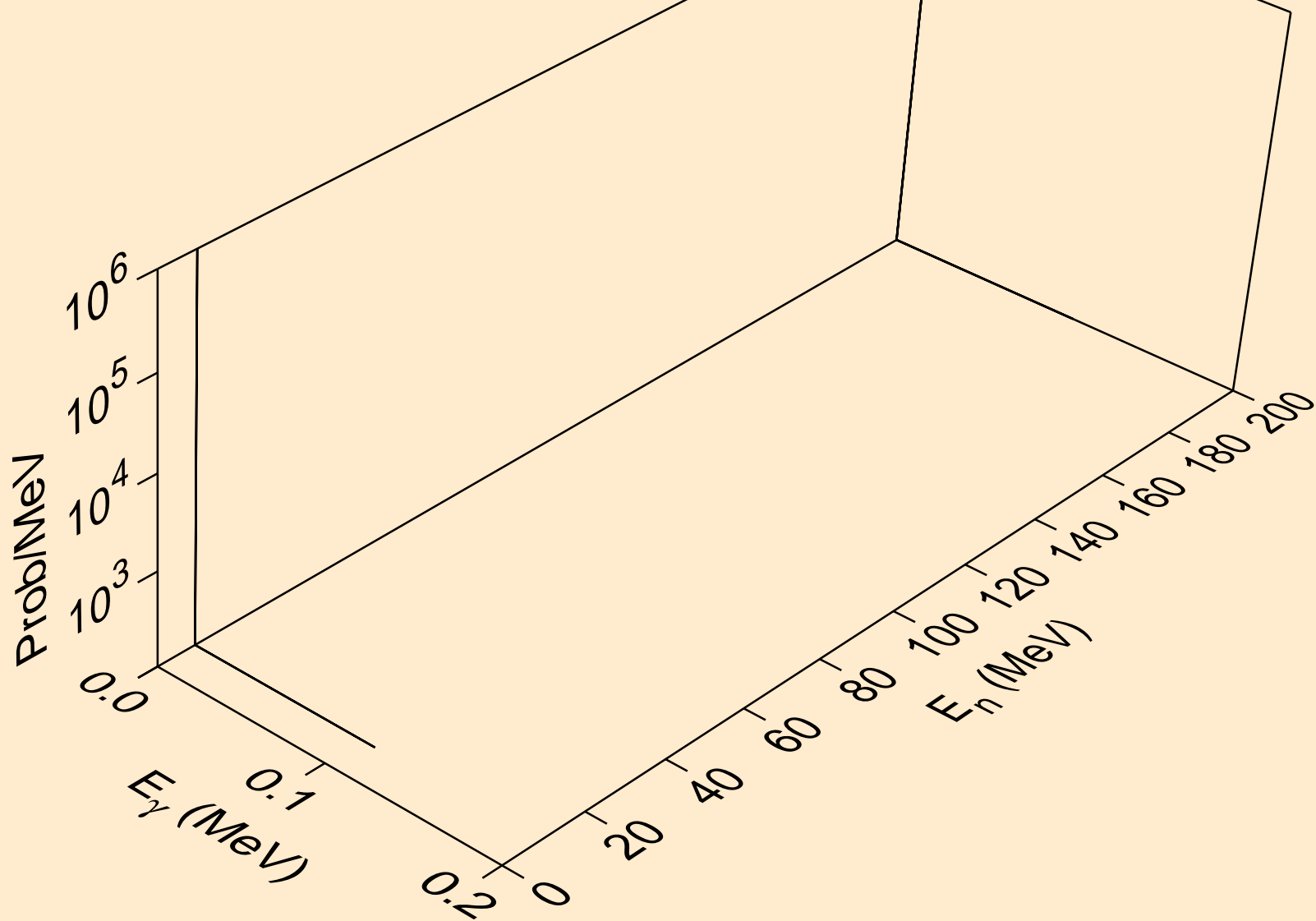
RF268 DEUTERON ACER TENDL-2021 LIBRARY; T=0.K
Photon emission for (n,n*)t



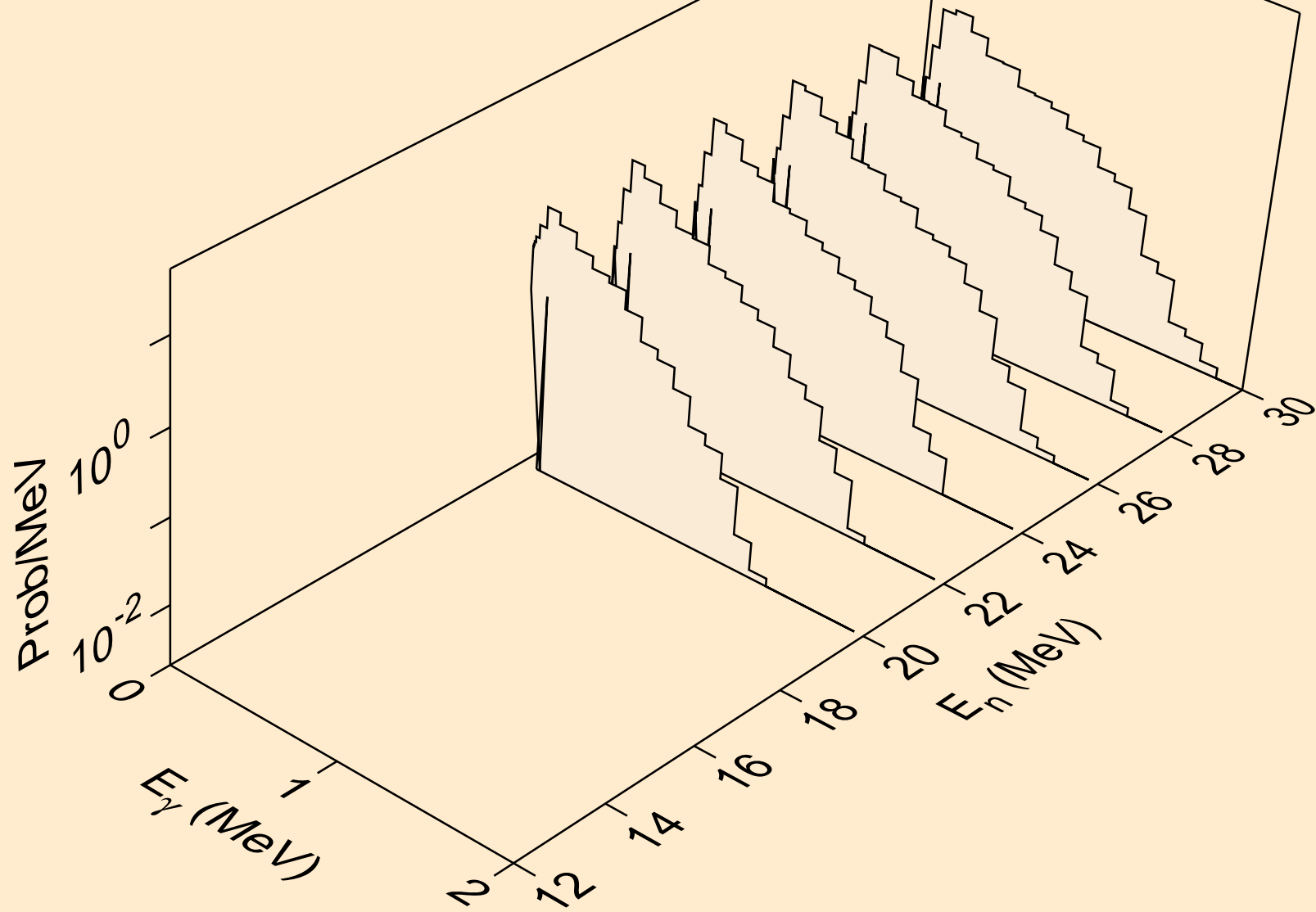
RF268 DEUTERON ACER TENDL-2021 LIBRARY; T=0.K
Photon emission for (n,4n)



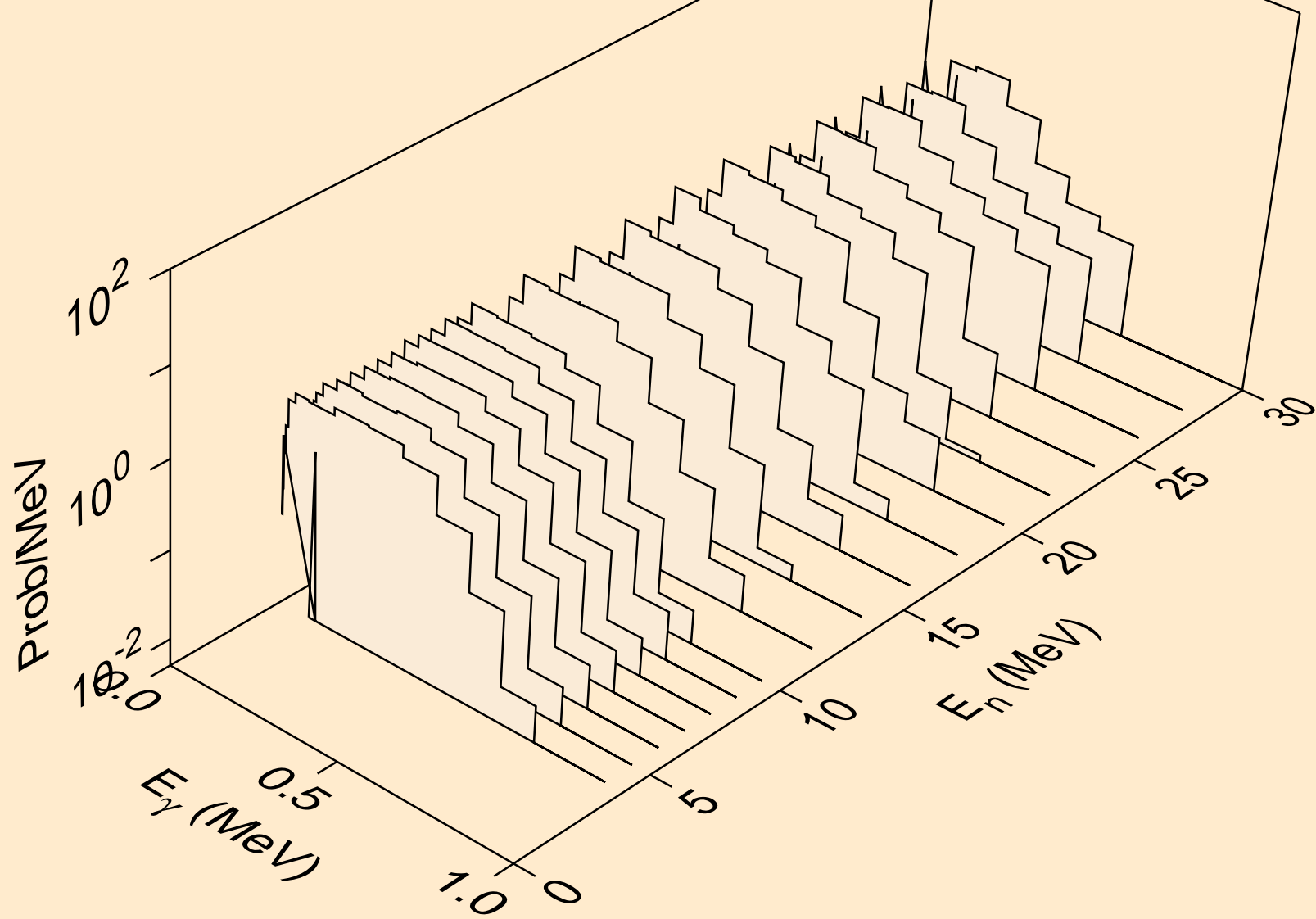
RF268 DEUTERON ACER TENDL-2021 LIBRARY; T=0.K
Photon emission for (n,2np)



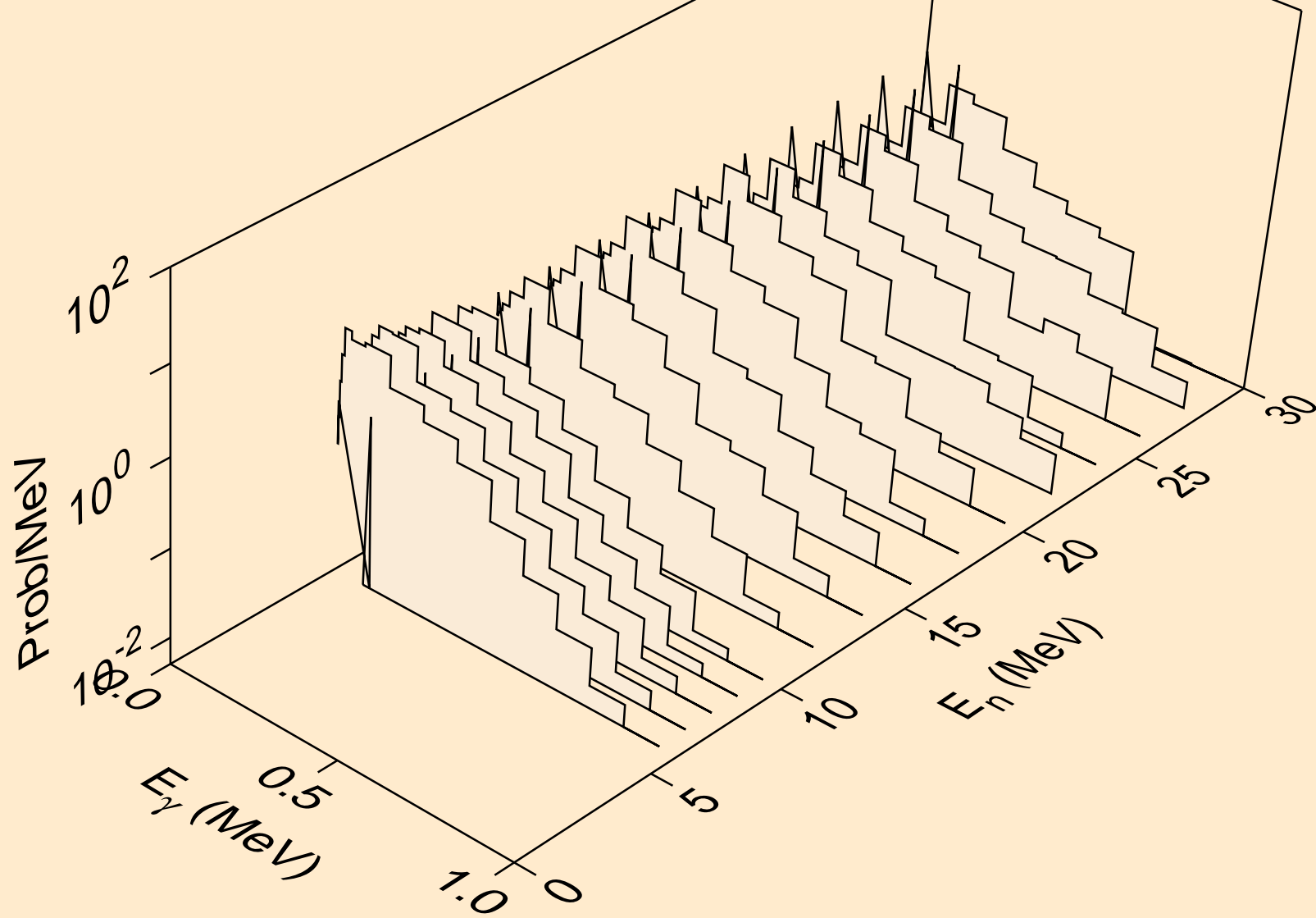
RF268 DEUTERON ACER TENDL-2021 LIBRARY; T=0.K
Photon emission for (n,3np)



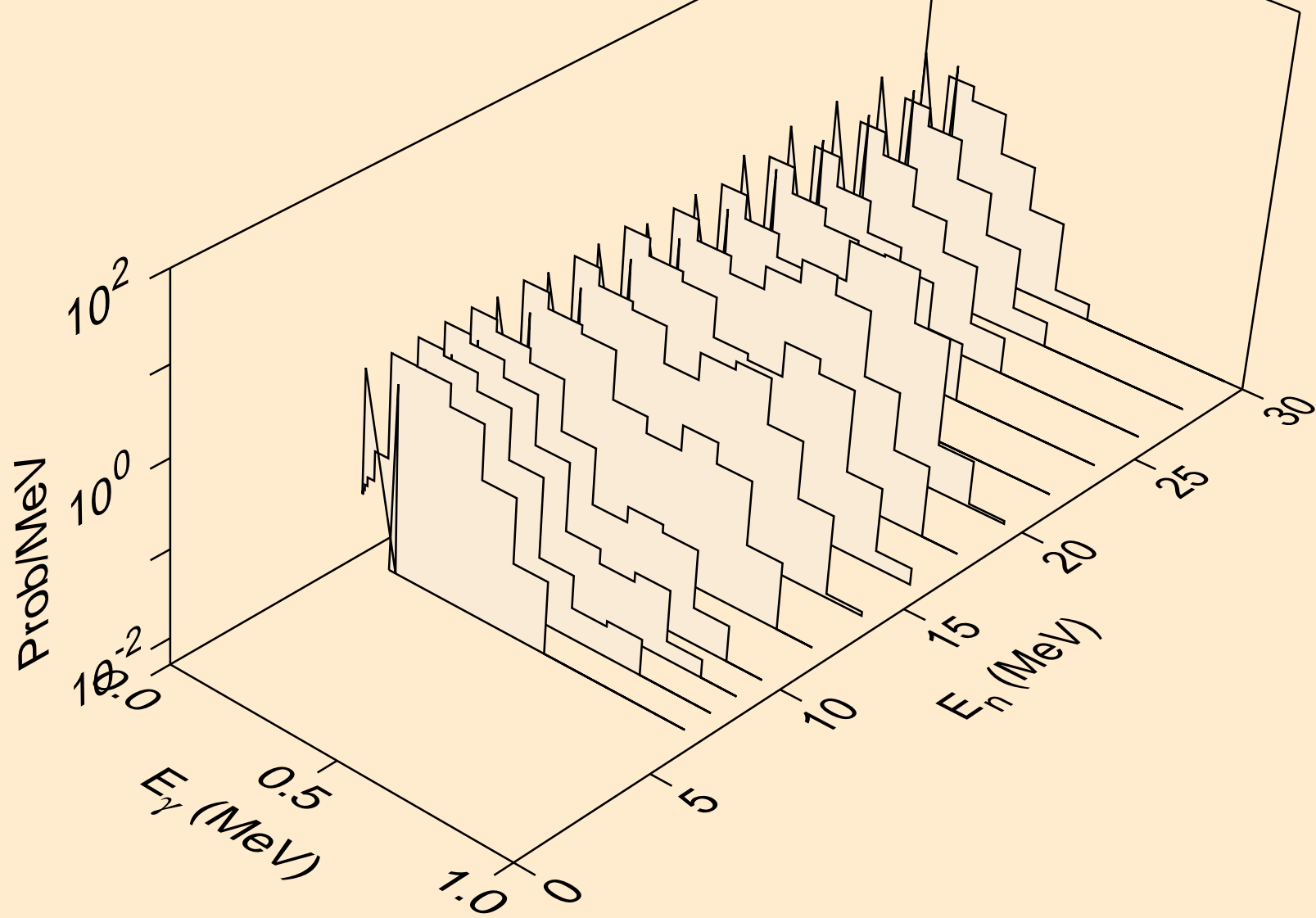
RF268 DEUTERON ACER TENDL-2021 LIBRARY; T=0.K
Photon emission for (n,p)



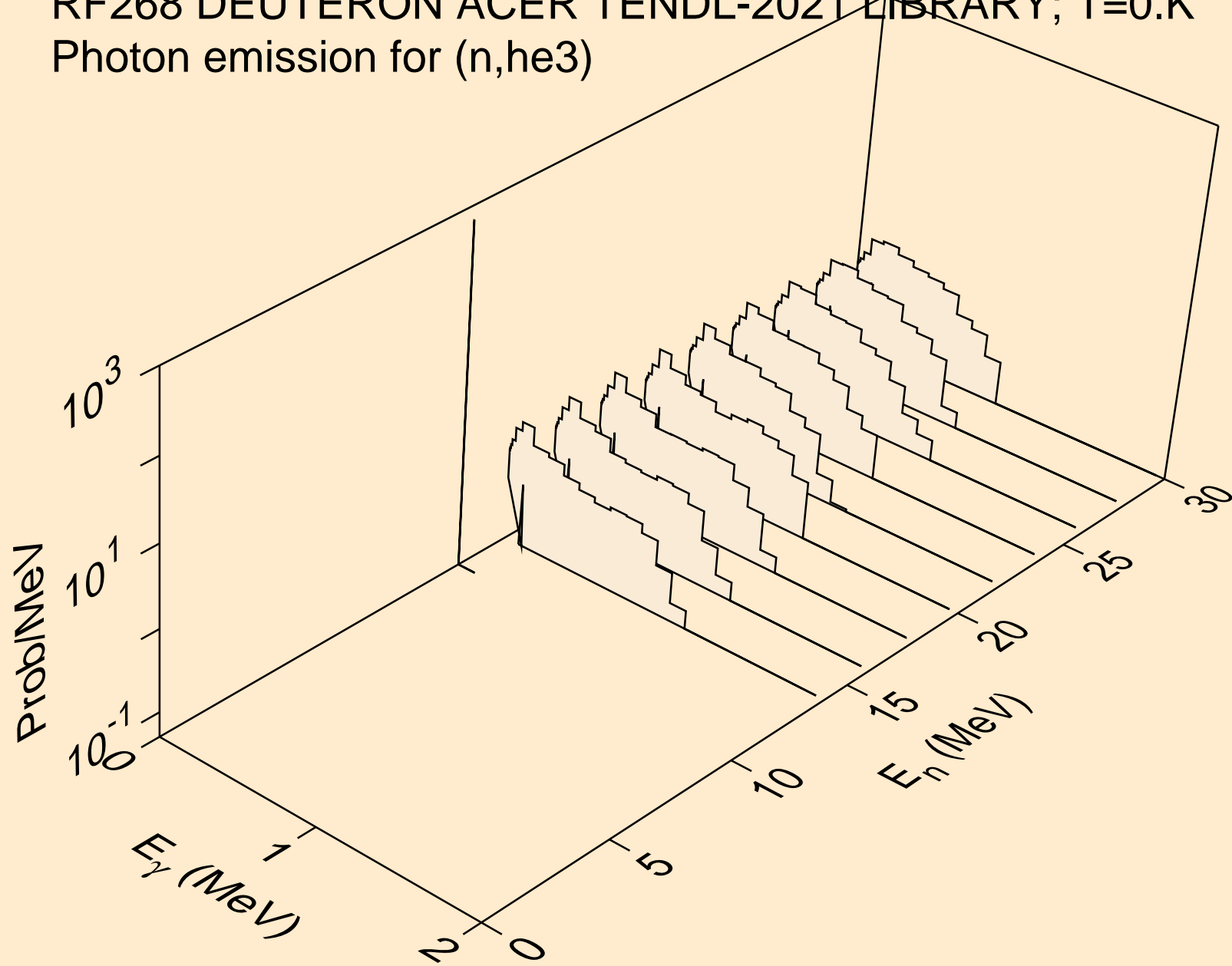
RF268 DEUTERON ACER TENDL-2021 LIBRARY; T=0.K
Photon emission for inelastic



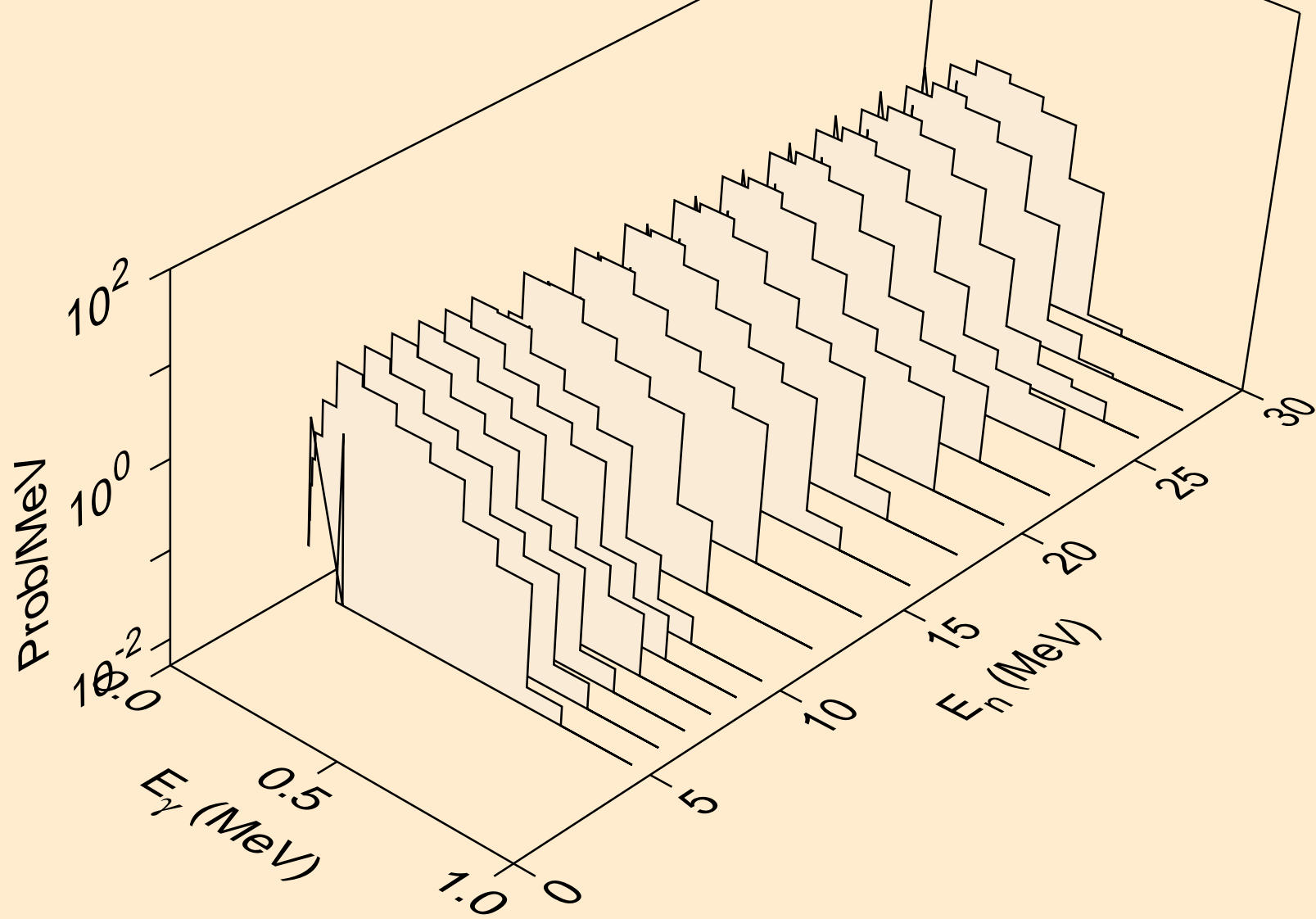
RF268 DEUTERON ACER TENDL-2021 LIBRARY; T=0.K
Photon emission for (n,t)



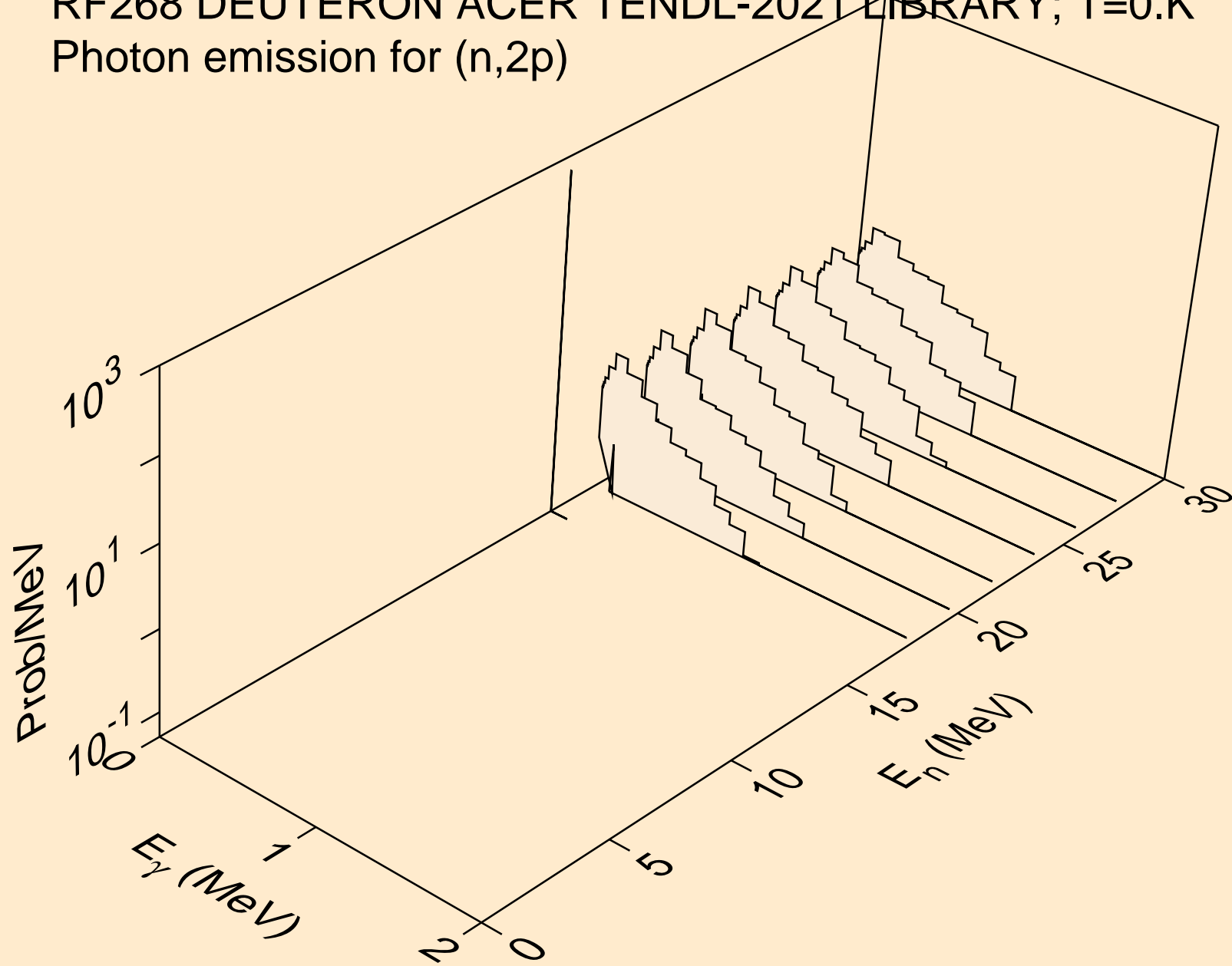
RF268 DEUTERON ACER TENDL-2021 LIBRARY; T=0.K
Photon emission for (n,he3)



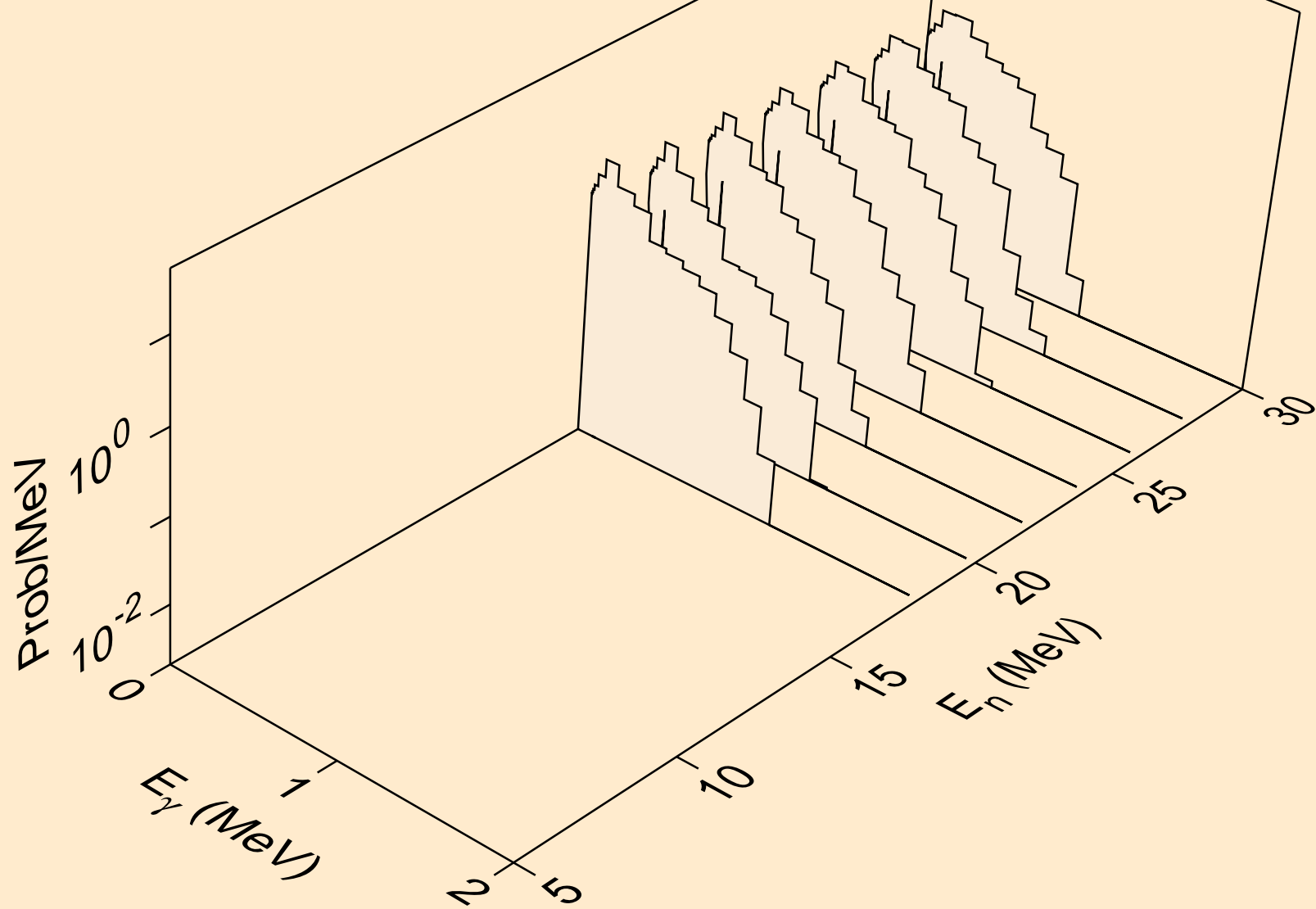
RF268 DEUTERON ACER TENDL-2021 LIBRARY; T=0.K
Photon emission for (n,a)



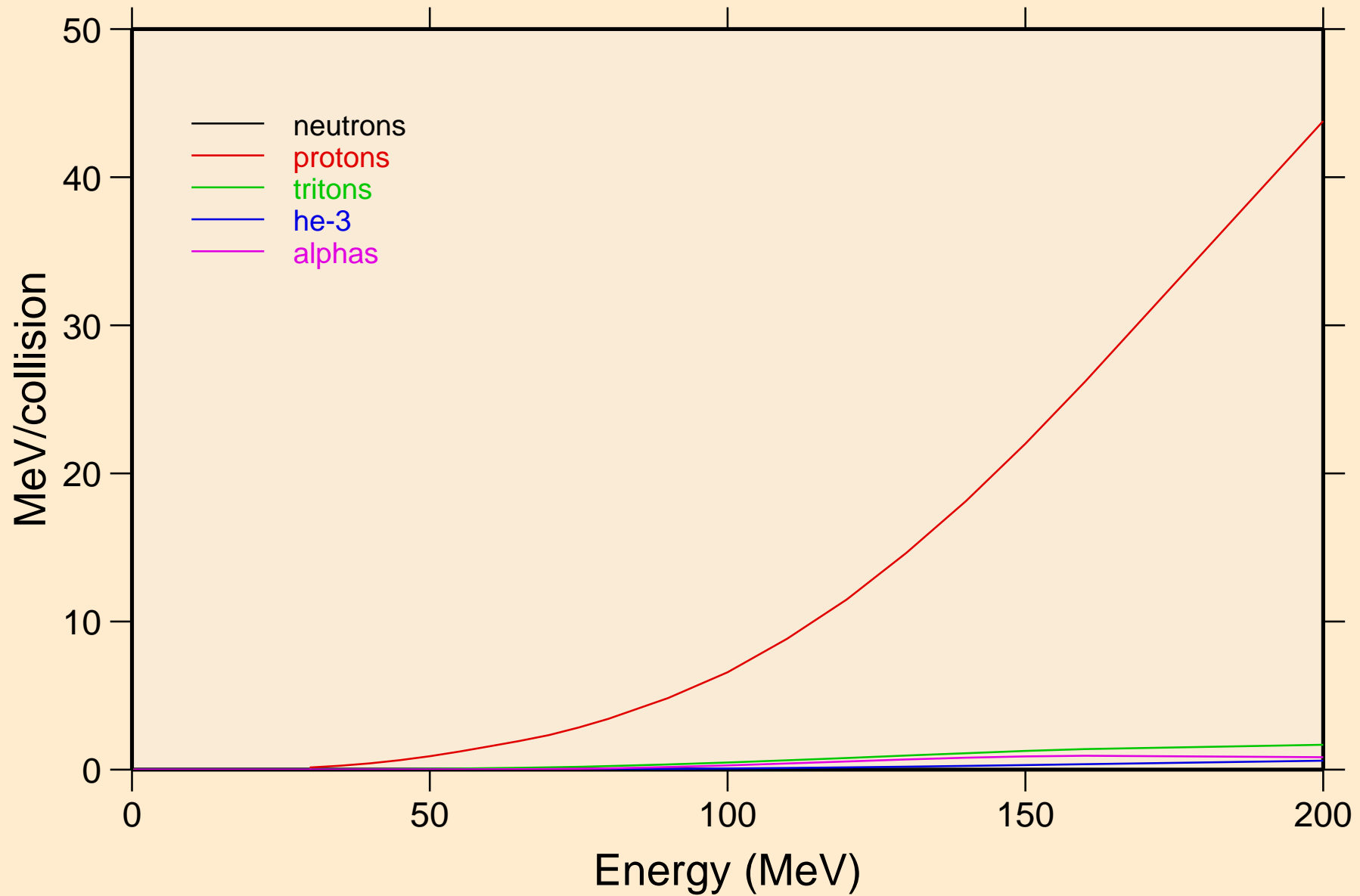
RF268 DEUTERON ACER TENDL-2021 LIBRARY; T=0.K
Photon emission for (n,2p)



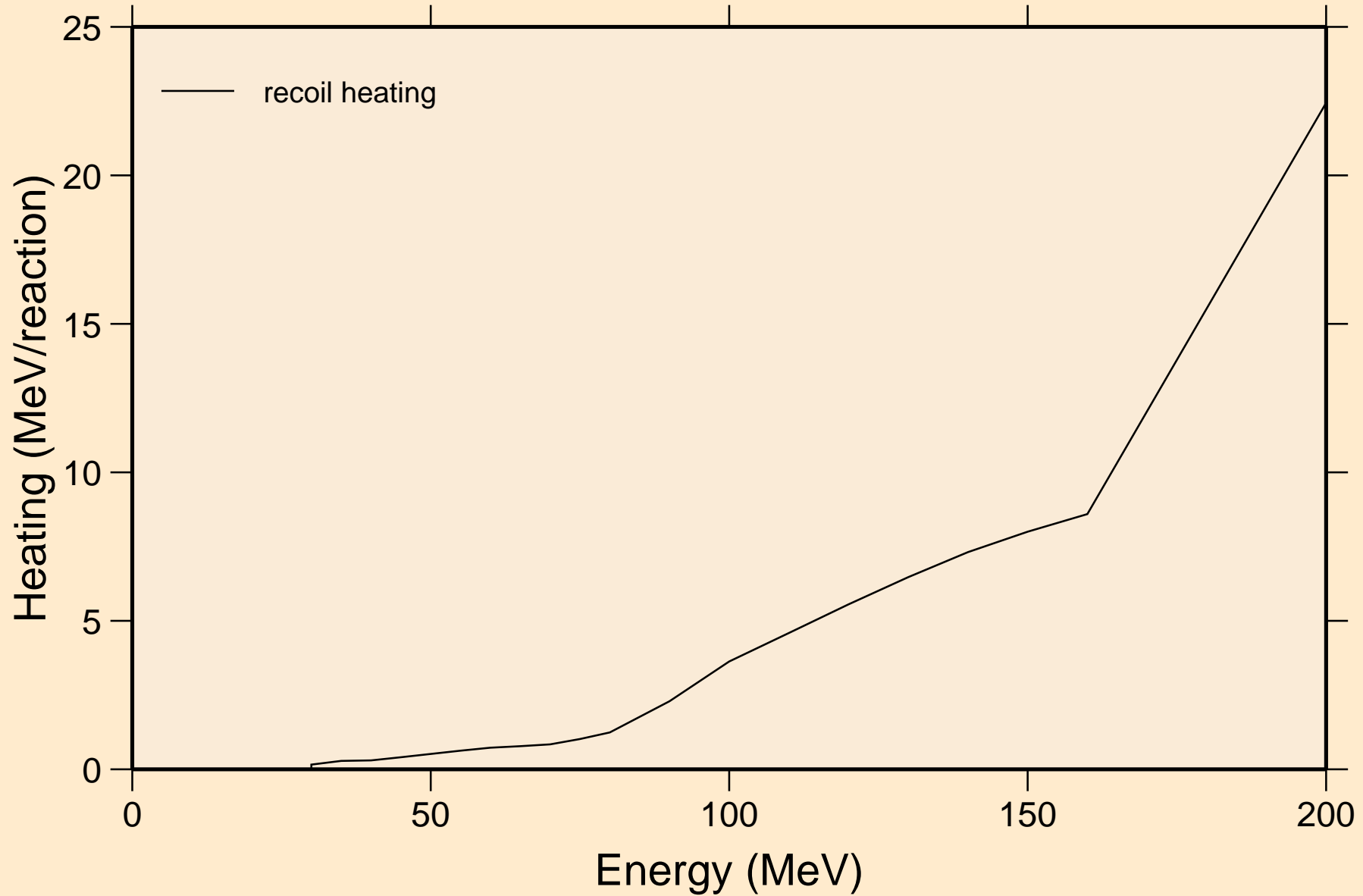
RF268 DEUTERON ACER TENDL-2021 LIBRARY; T=0.K
Photon emission for (n,pd)



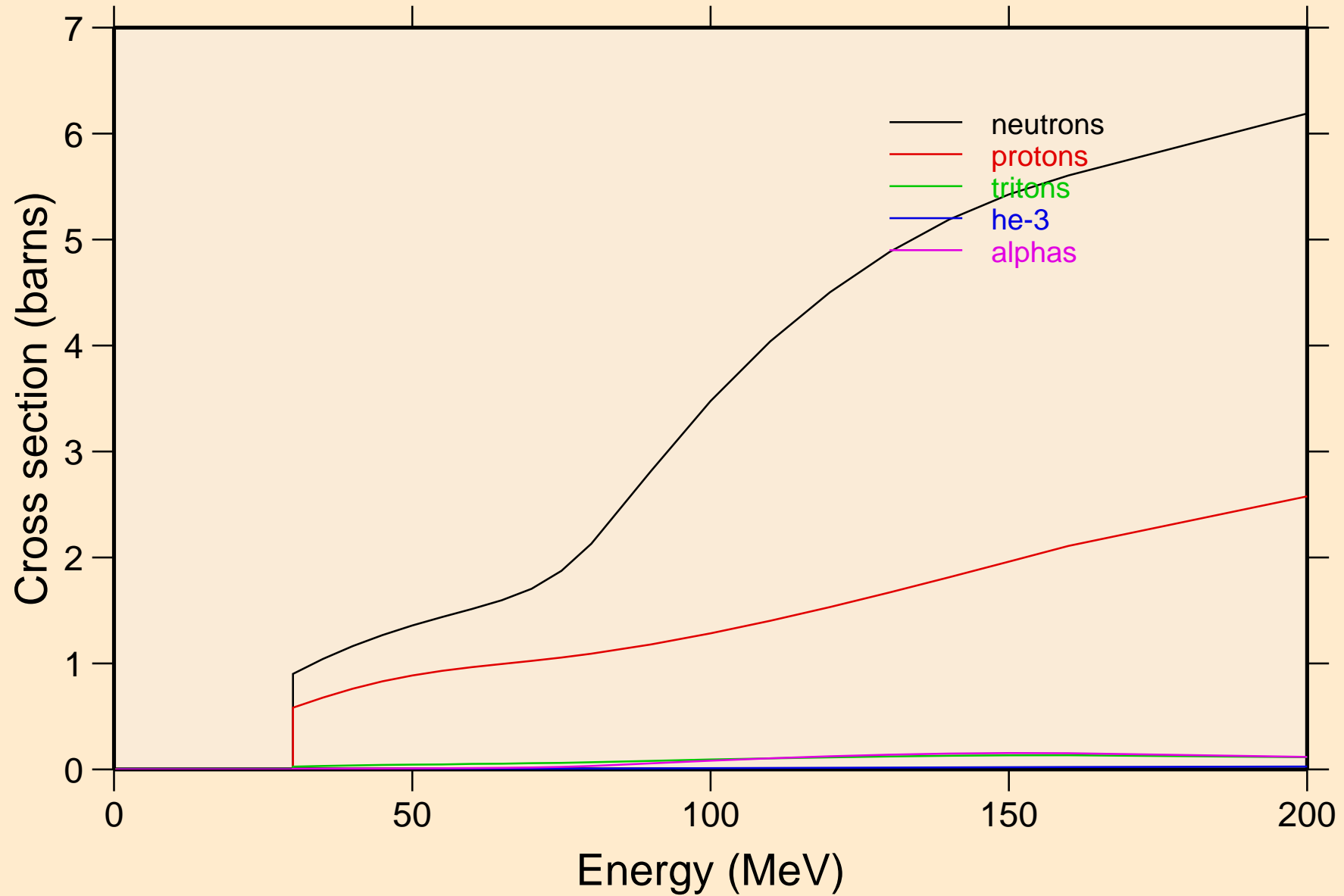
RF268 DEUTERON ACER TENDL-2021 LIBRARY; T=0.K
Particle heating contributions



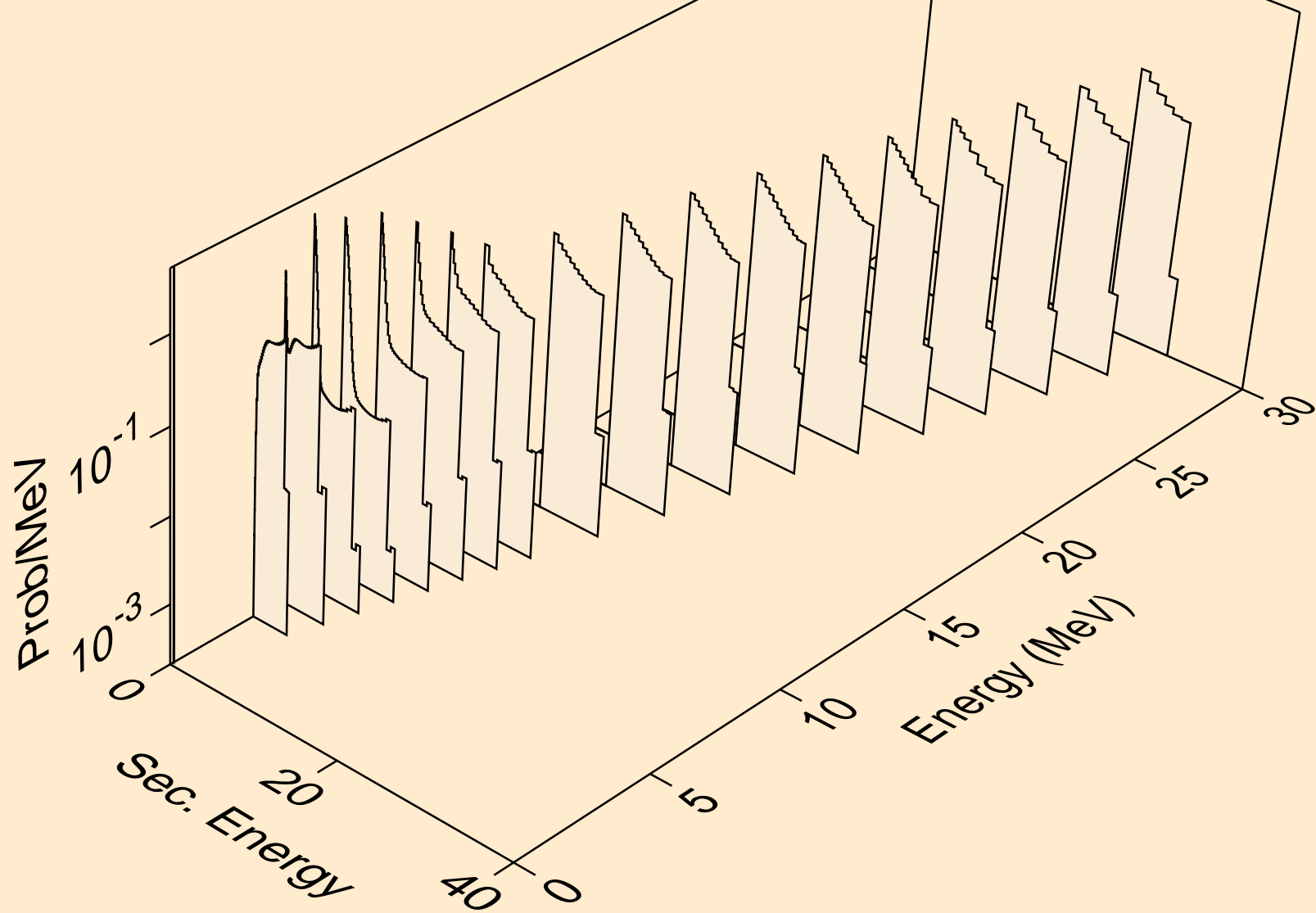
RF268 DEUTERON ACER TENDL-2021 LIBRARY; T=0.K
Recoil Heating



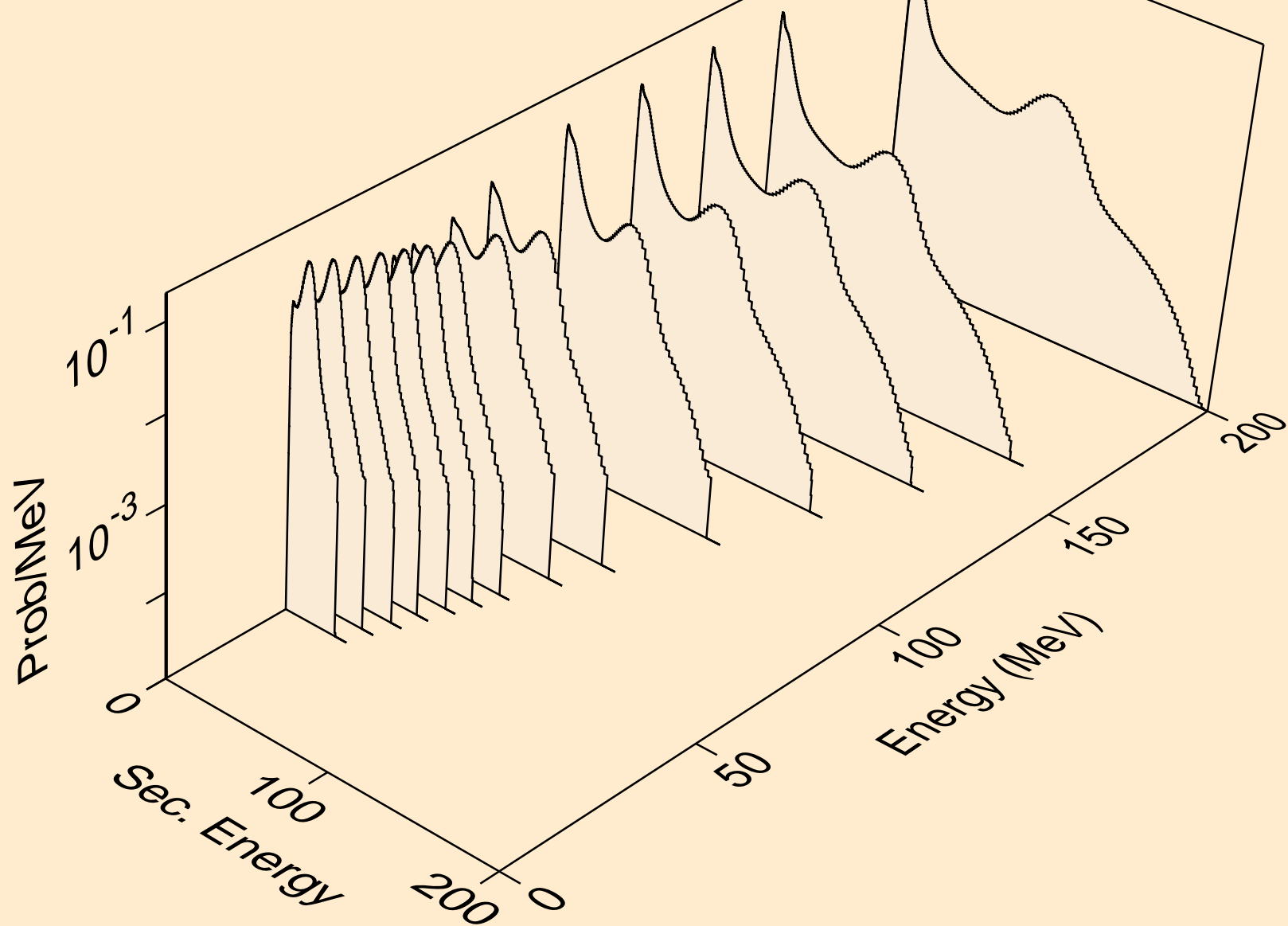
RF268 DEUTERON ACER TENDL-2021 LIBRARY; T=0.K
Particle production cross sections



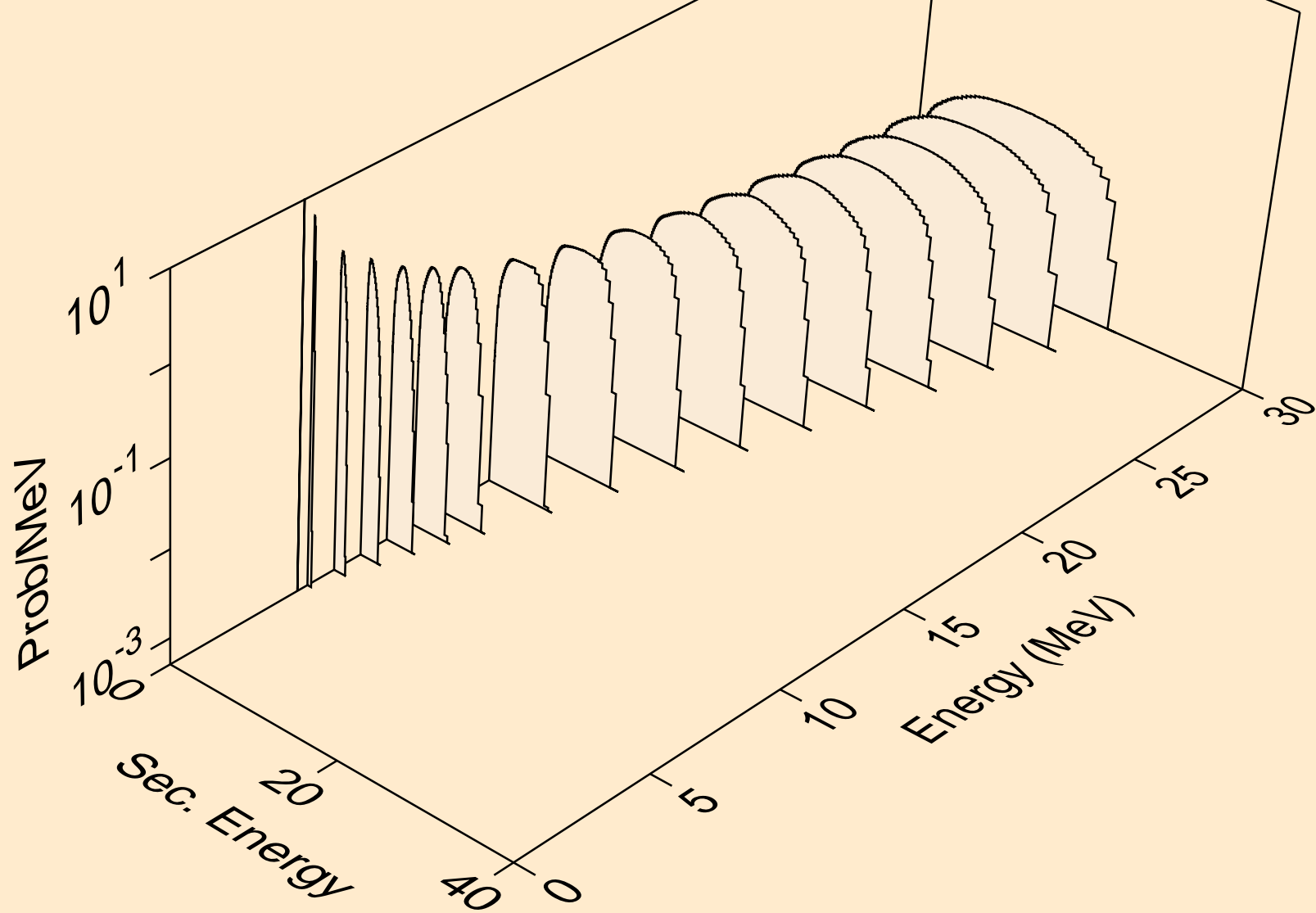
RF268 DEUTERON ACER TENDL-2021 LIBRARY; T=0.K
neutrons from (d,n)



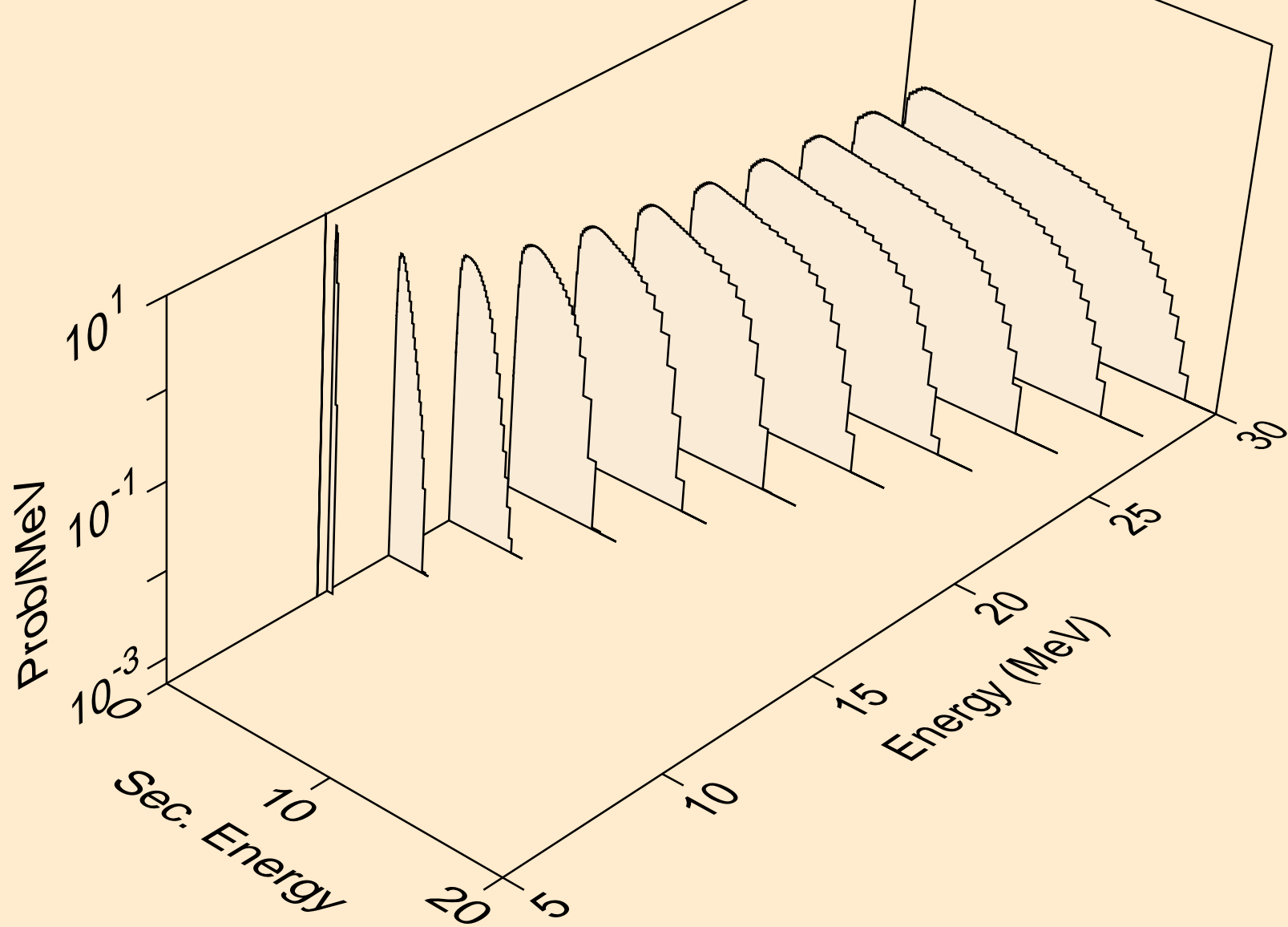
RF268 DEUTERON ACER TENDL-2021 LIBRARY; T=0.K
neutrons from (d,x)



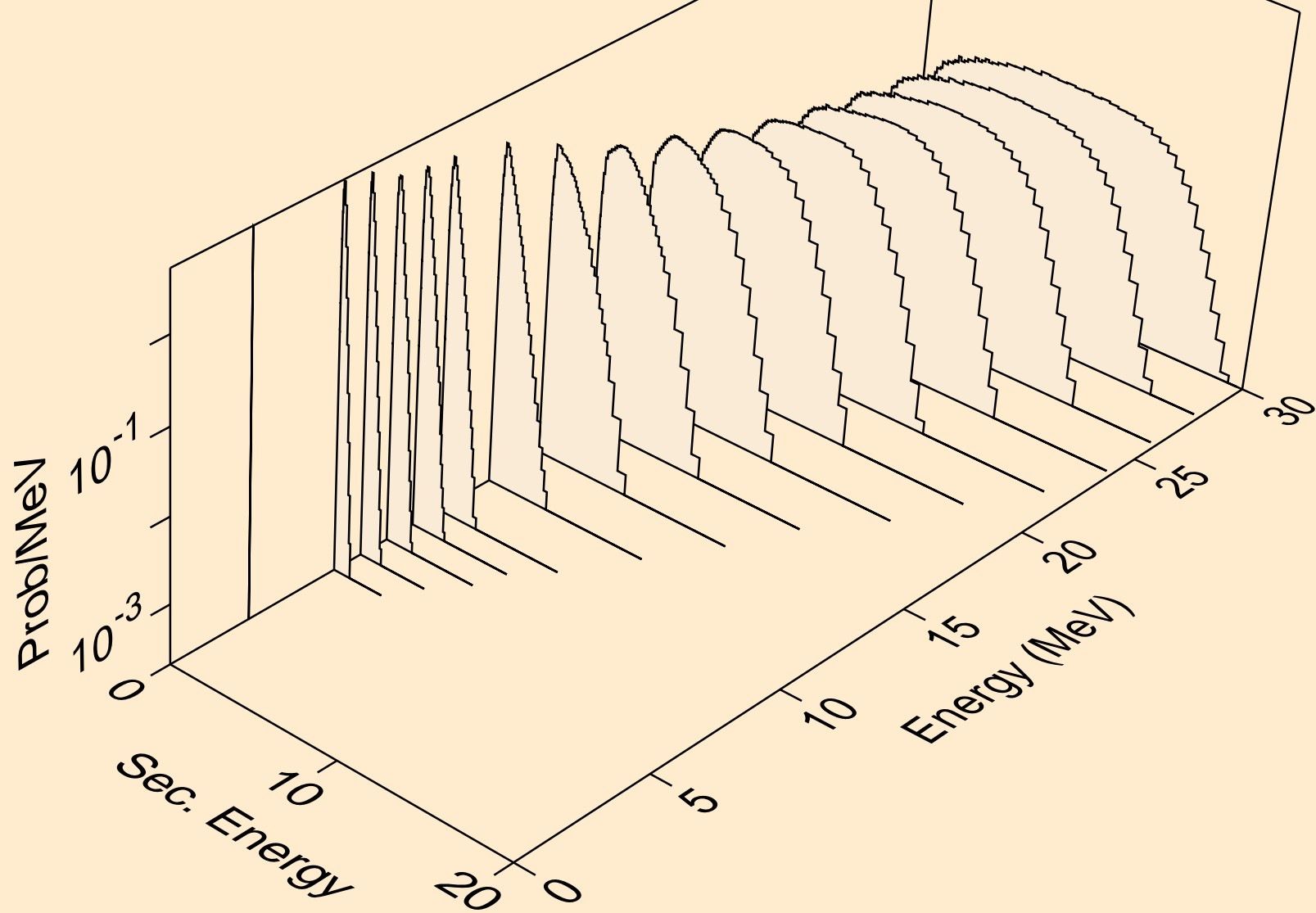
RF268 DEUTERON ACER TENDL-2021 LIBRARY; T=0.K
neutrons from (d,2n)



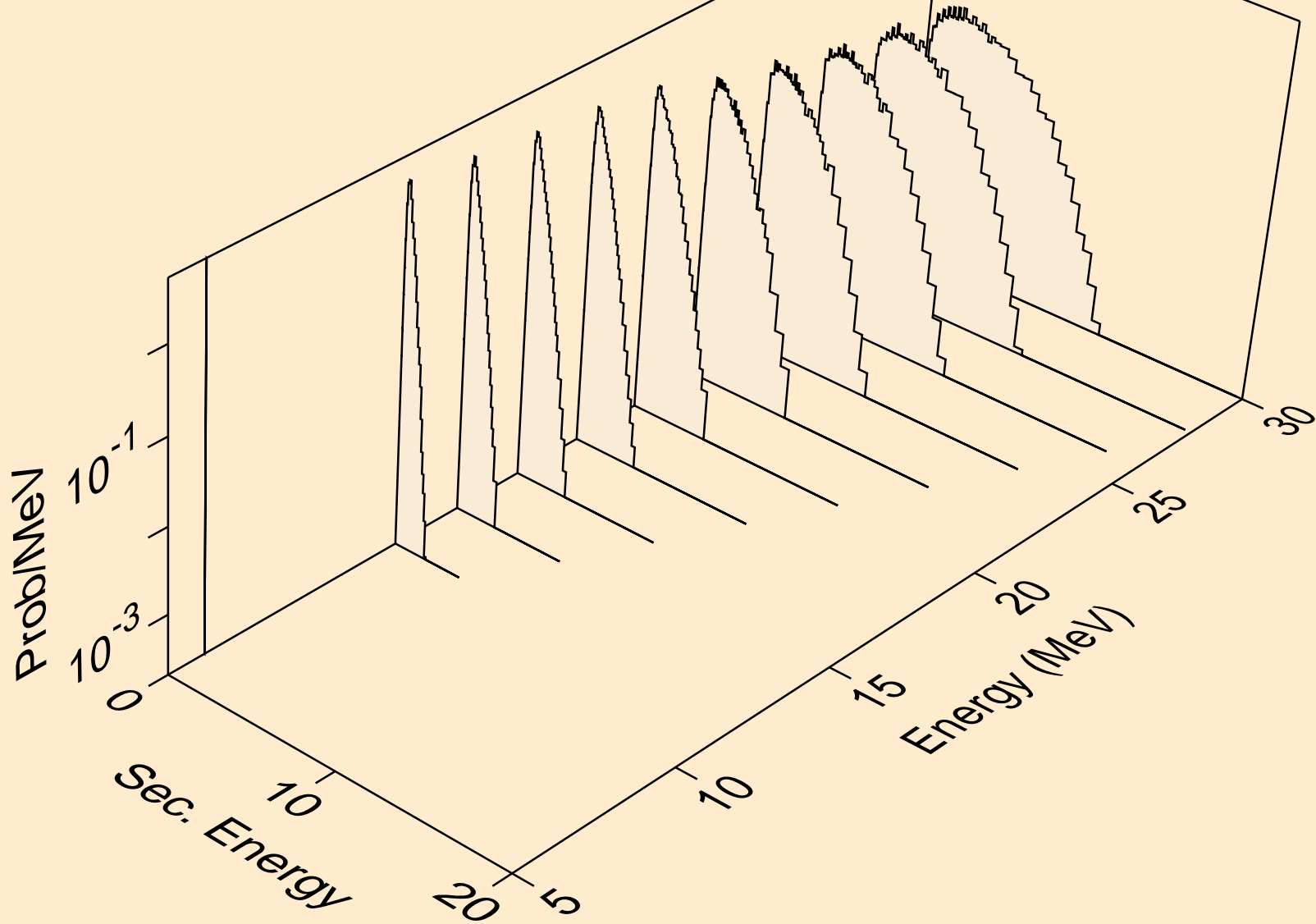
RF268 DEUTERON ACER TENDL-2021 LIBRARY; T=0.K
neutrons from (d,3n)



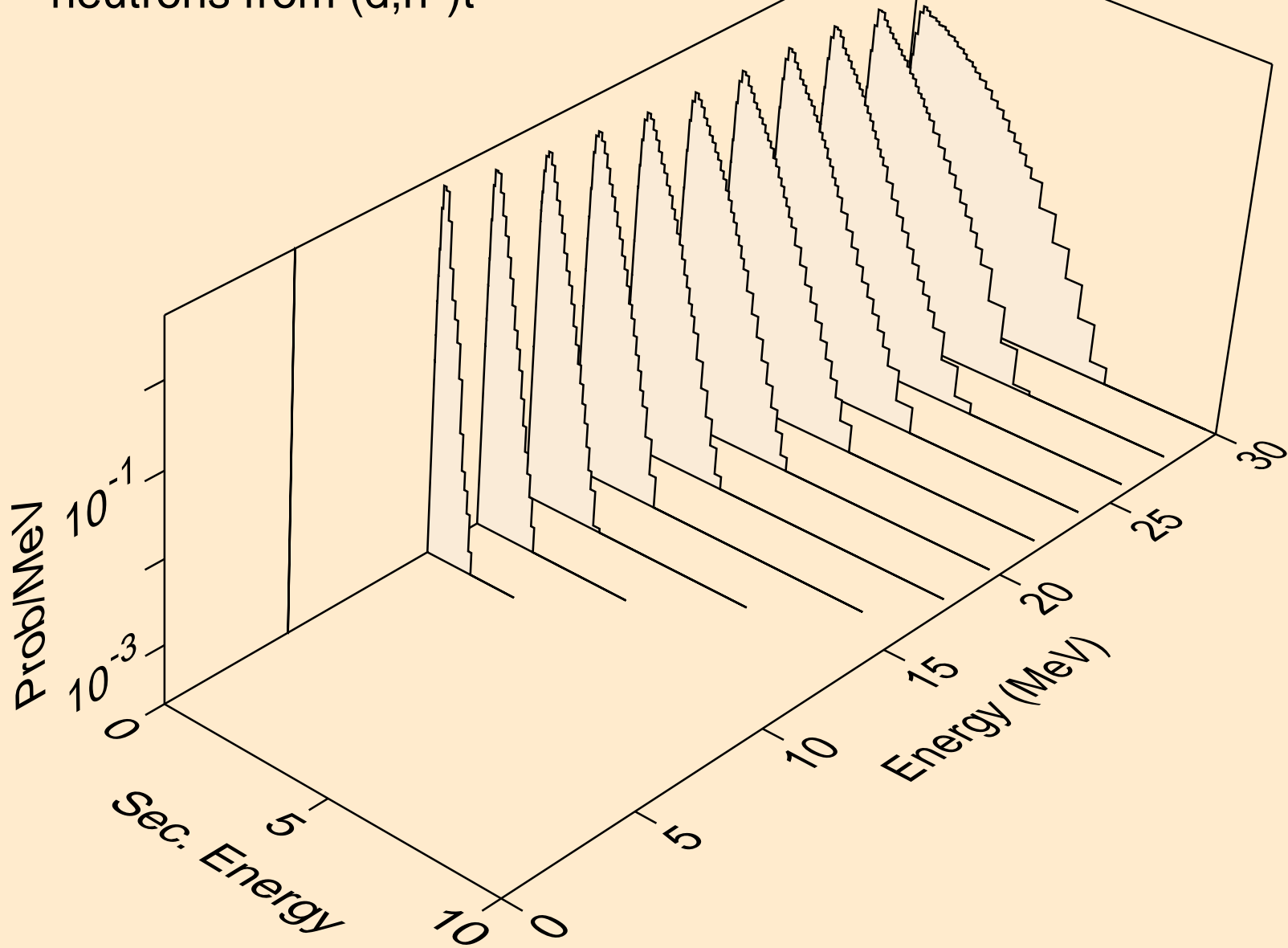
RF268 DEUTERON ACER TENDL-2021 LIBRARY; T=0.K
neutrons from (d,n*)p



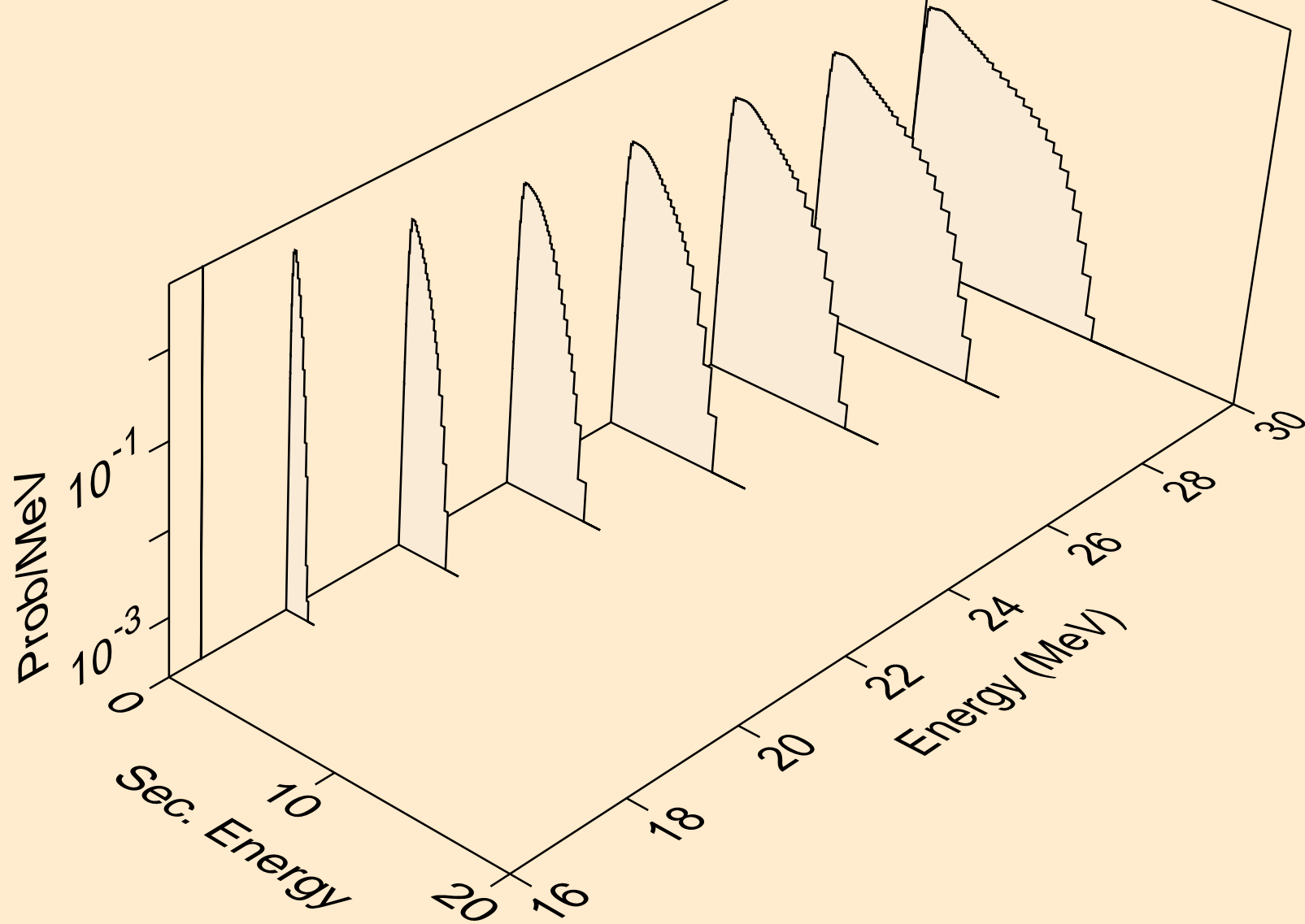
RF268 DEUTERON ACER TENDL-2021 LIBRARY; T=0.K
neutrons from (d,n*)d



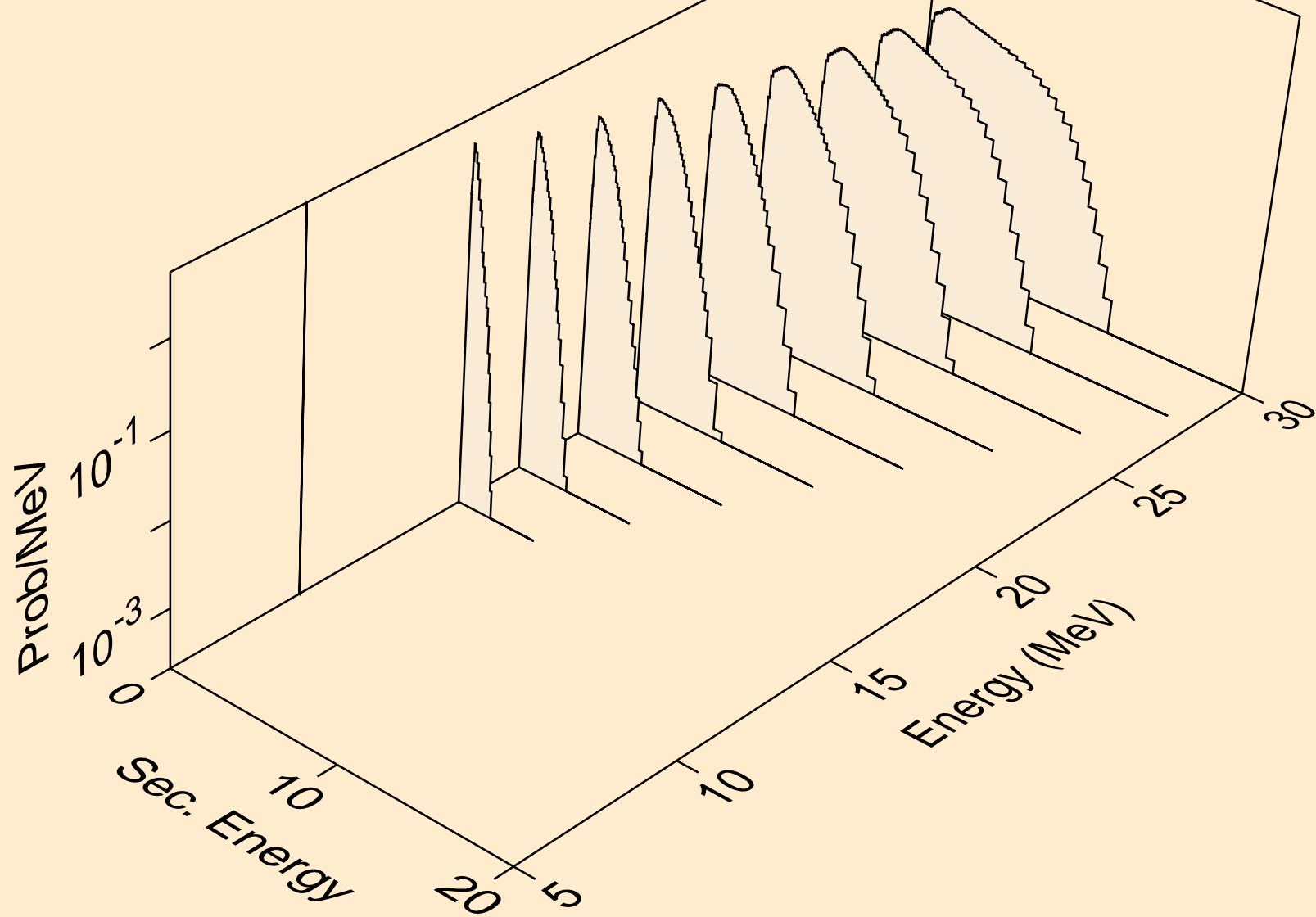
RF268 DEUTERON ACER TENDL-2021 LIBRARY; T=0.K
neutrons from (d,n*)t



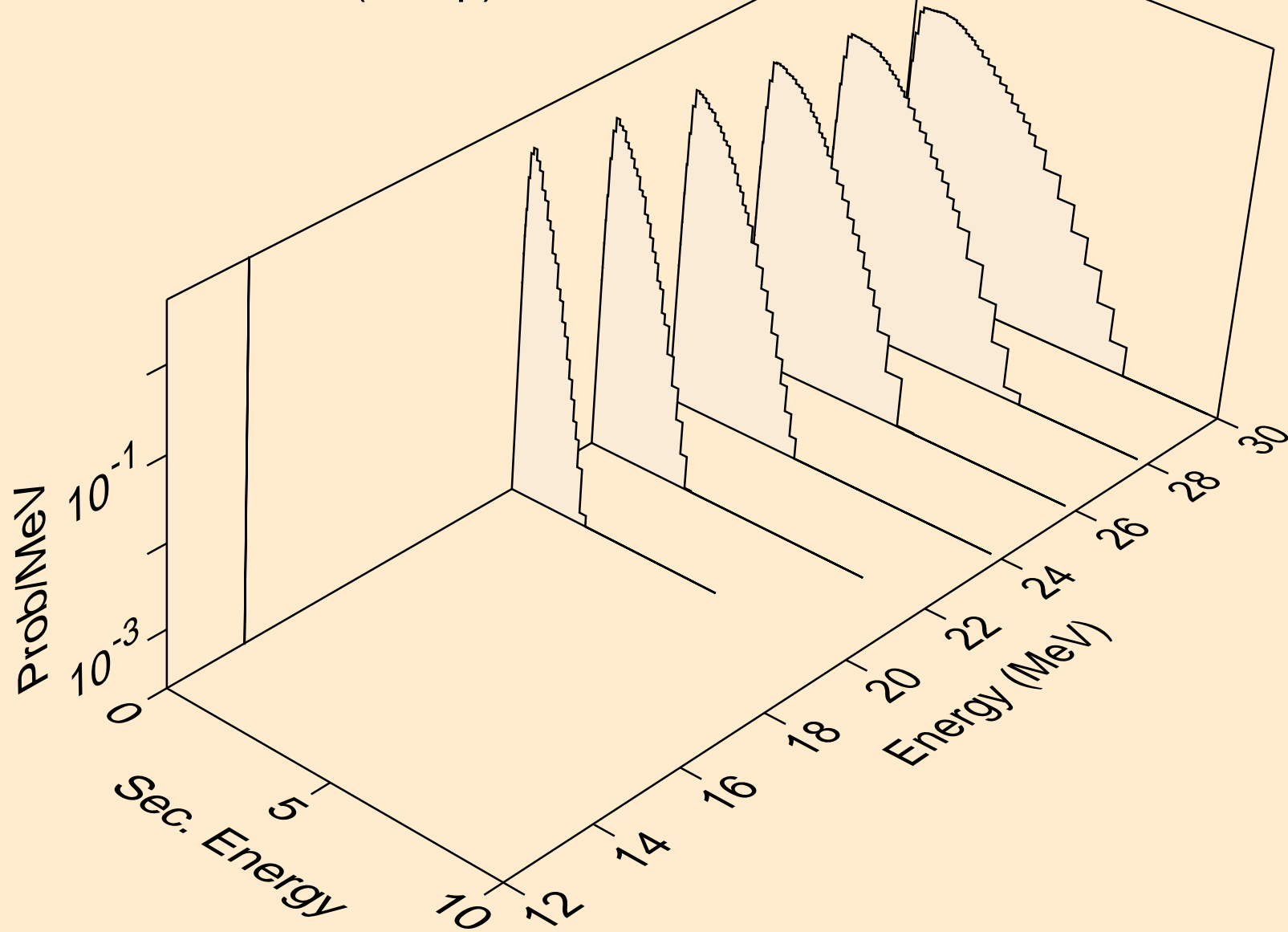
RF268 DEUTERON ACER TENDL-2021 LIBRARY; T=0.K
neutrons from (d,4n)



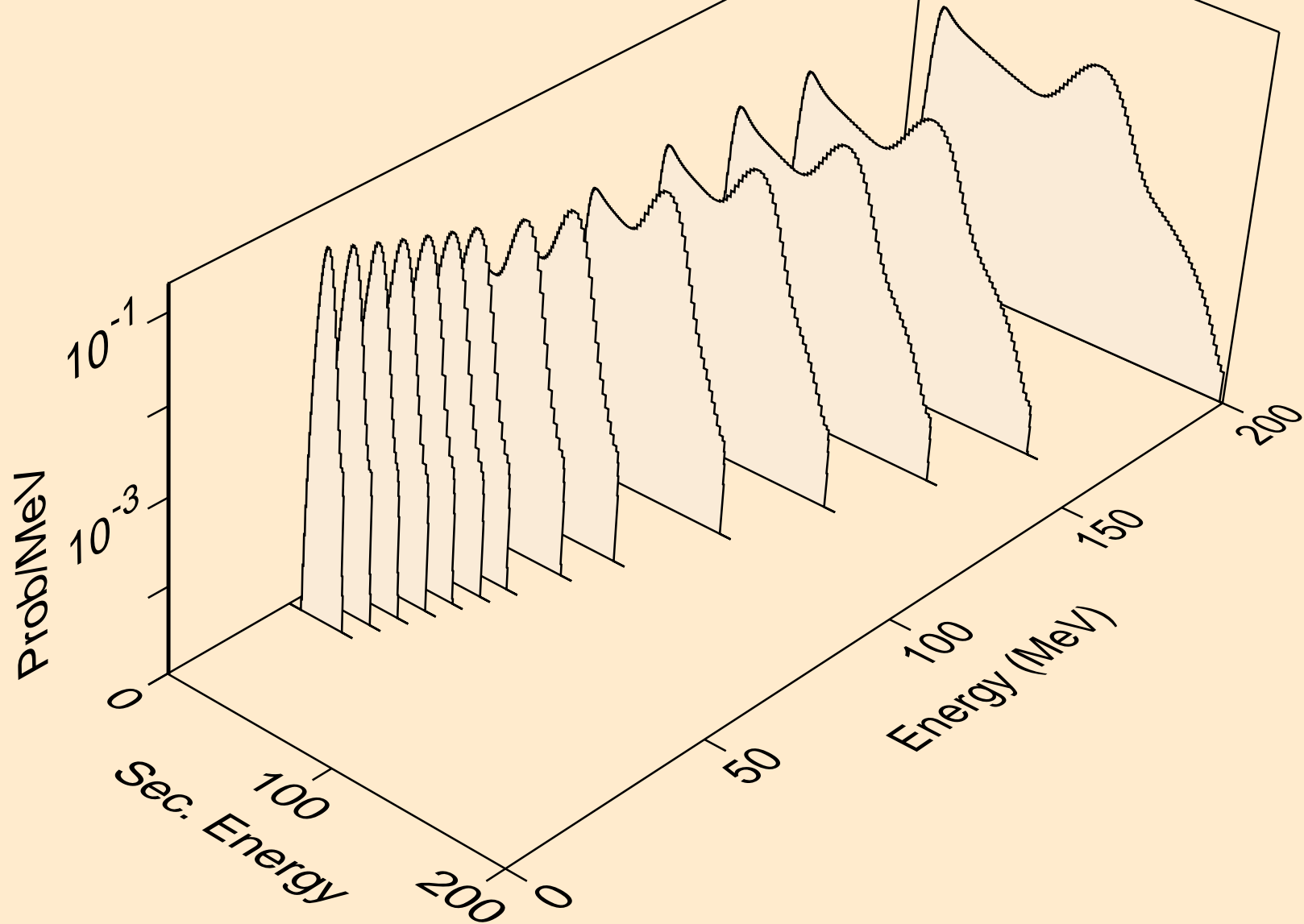
RF268 DEUTERON ACER TENDL-2021 LIBRARY; T=0.K
neutrons from (d,2np)



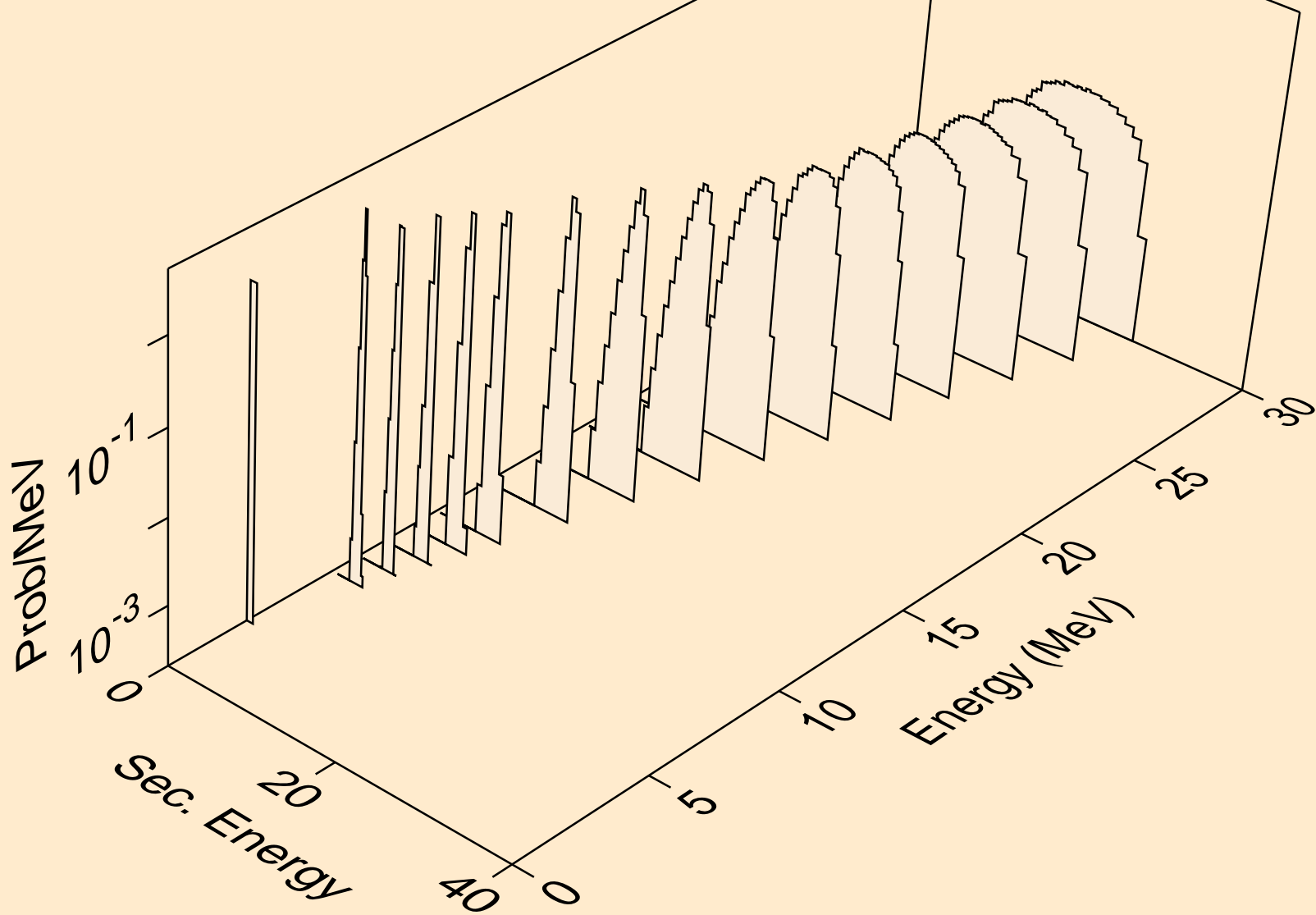
RF268 DEUTERON ACER TENDL-2021 LIBRARY; T=0.K
neutrons from (d,3np)



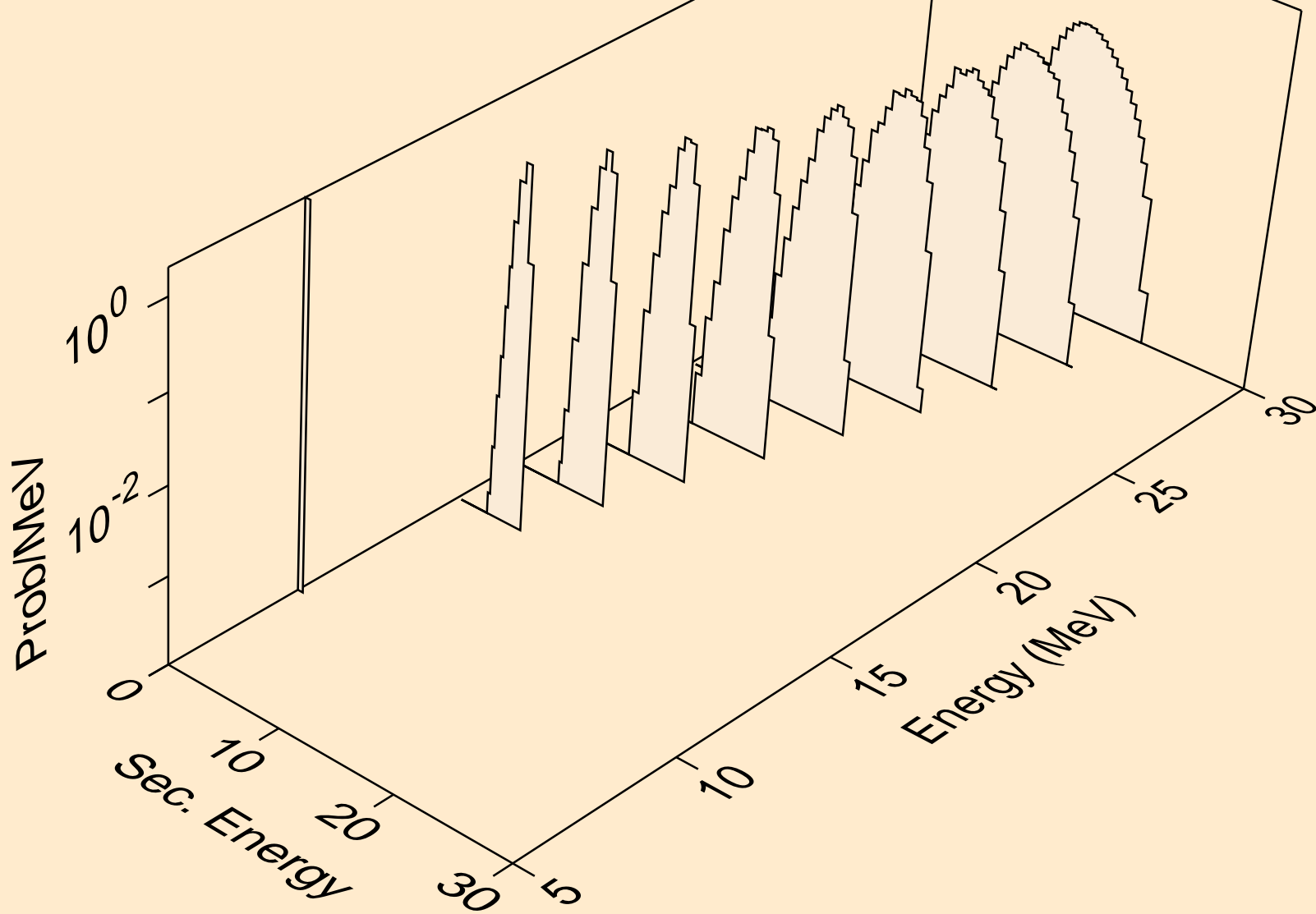
RF268 DEUTERON ACER TENDL-2021 LIBRARY; T=0.K
protons from (d,x)



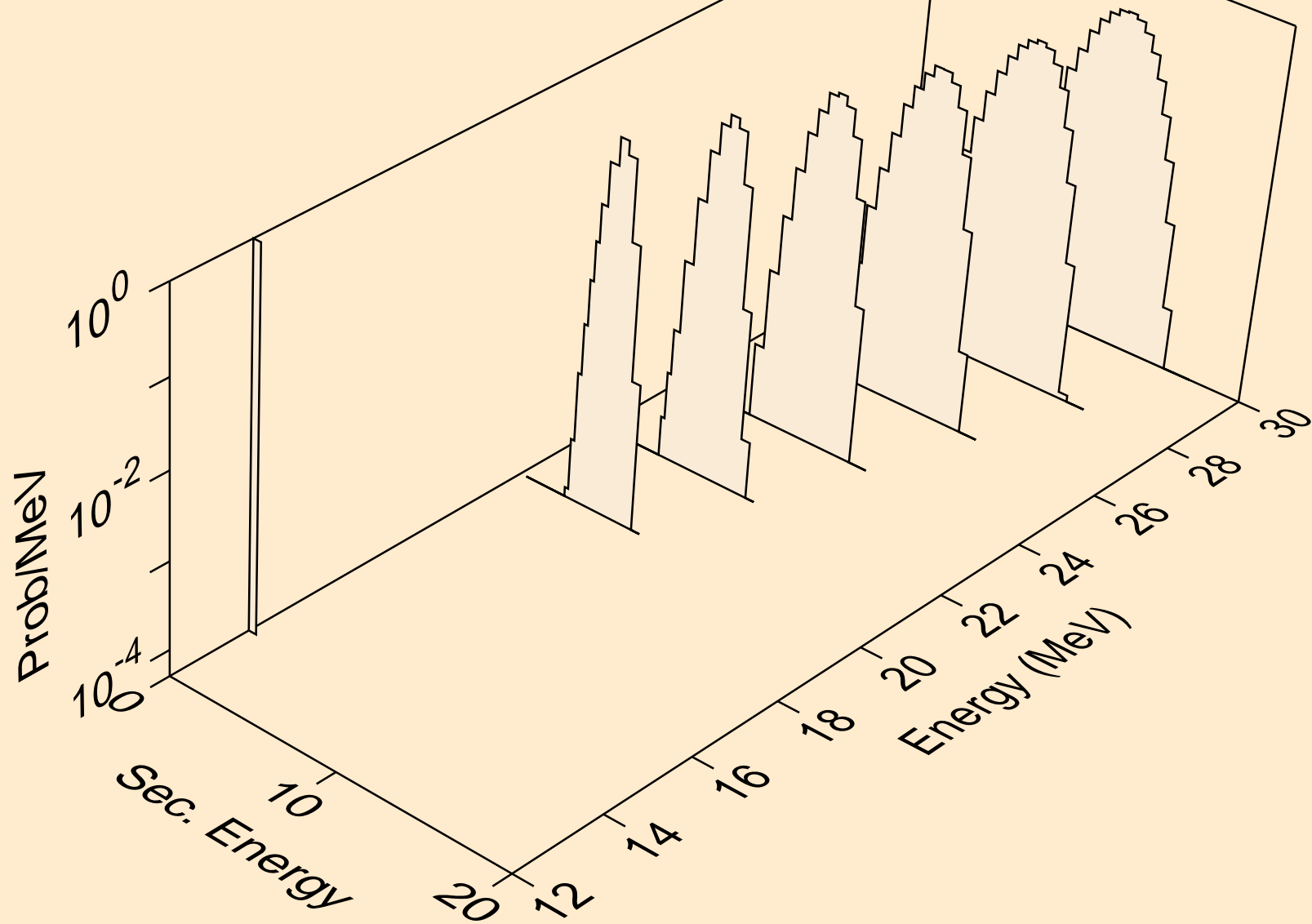
RF268 DEUTERON ACER TENDL-2021 LIBRARY; T=0.K
protons from (d,n*)p



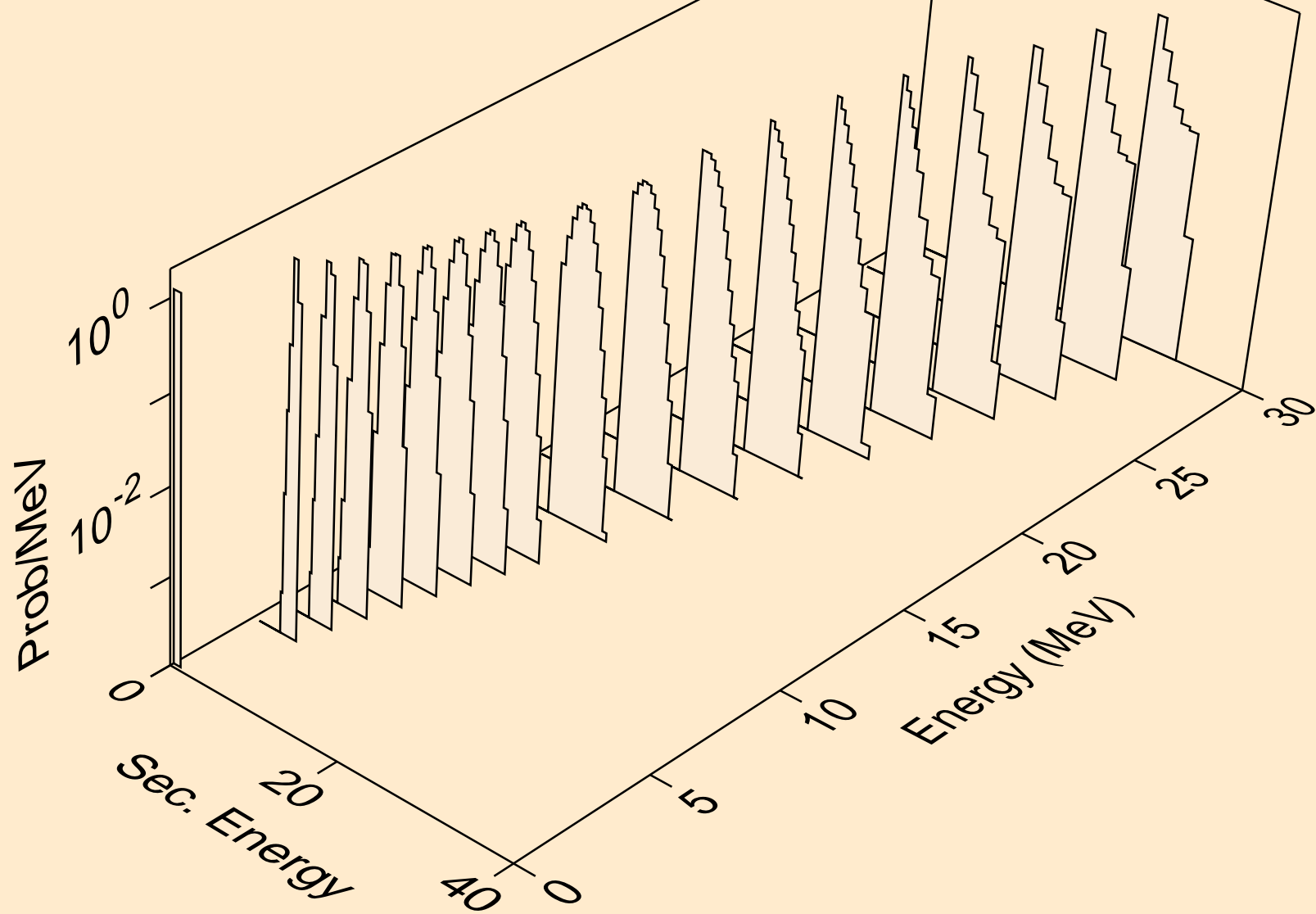
RF268 DEUTERON ACER TENDL-2021 LIBRARY; T=0.K
protons from (d,2np)



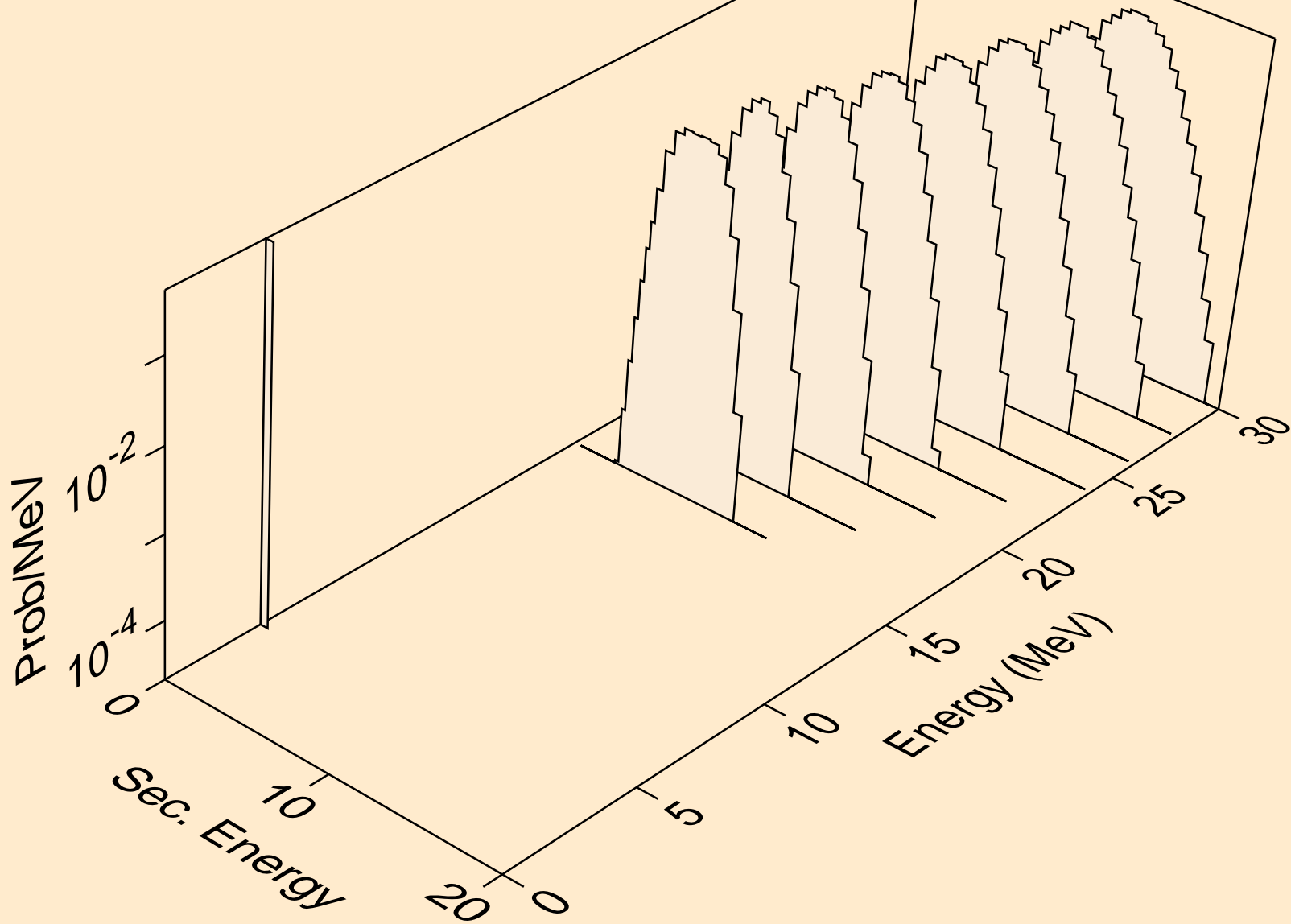
RF268 DEUTERON ACER TENDL-2021 LIBRARY; T=0.K
protons from (d,3np)



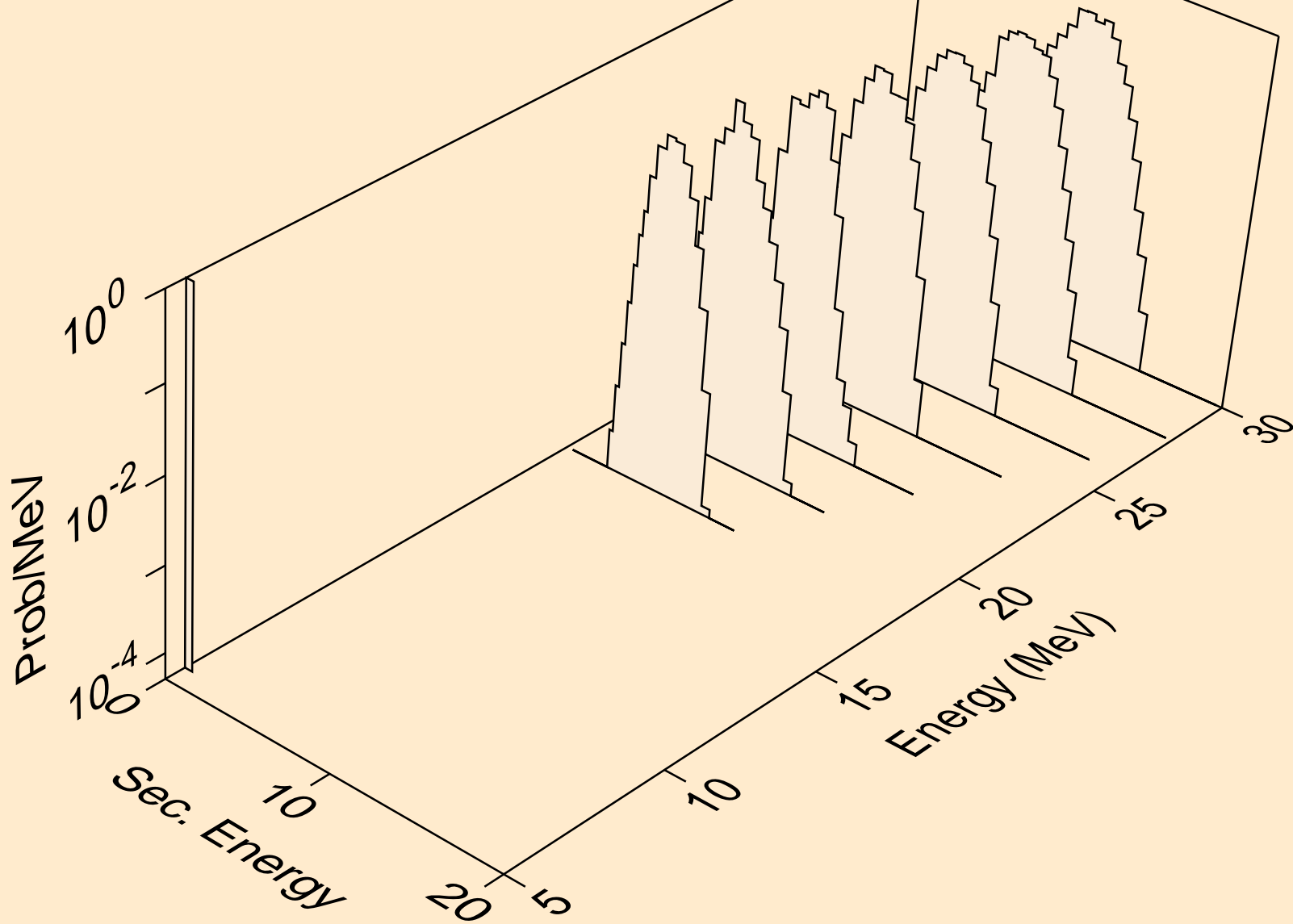
RF268 DEUTERON ACER TENDL-2021 LIBRARY; T=0.K
protons from (d,p)



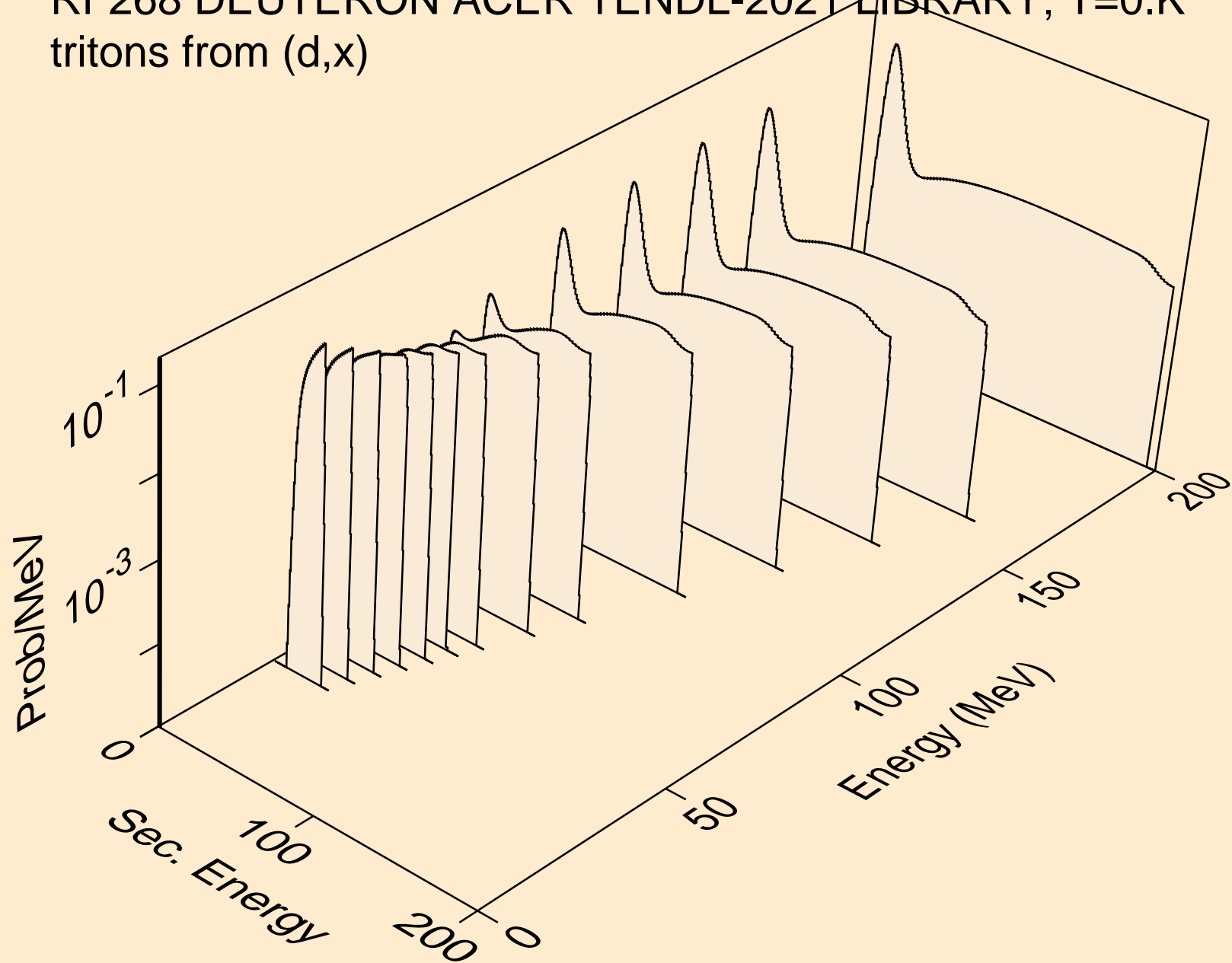
RF268 DEUTERON ACER TENDL-2021 LIBRARY; T=0.K
protons from (d,2p)



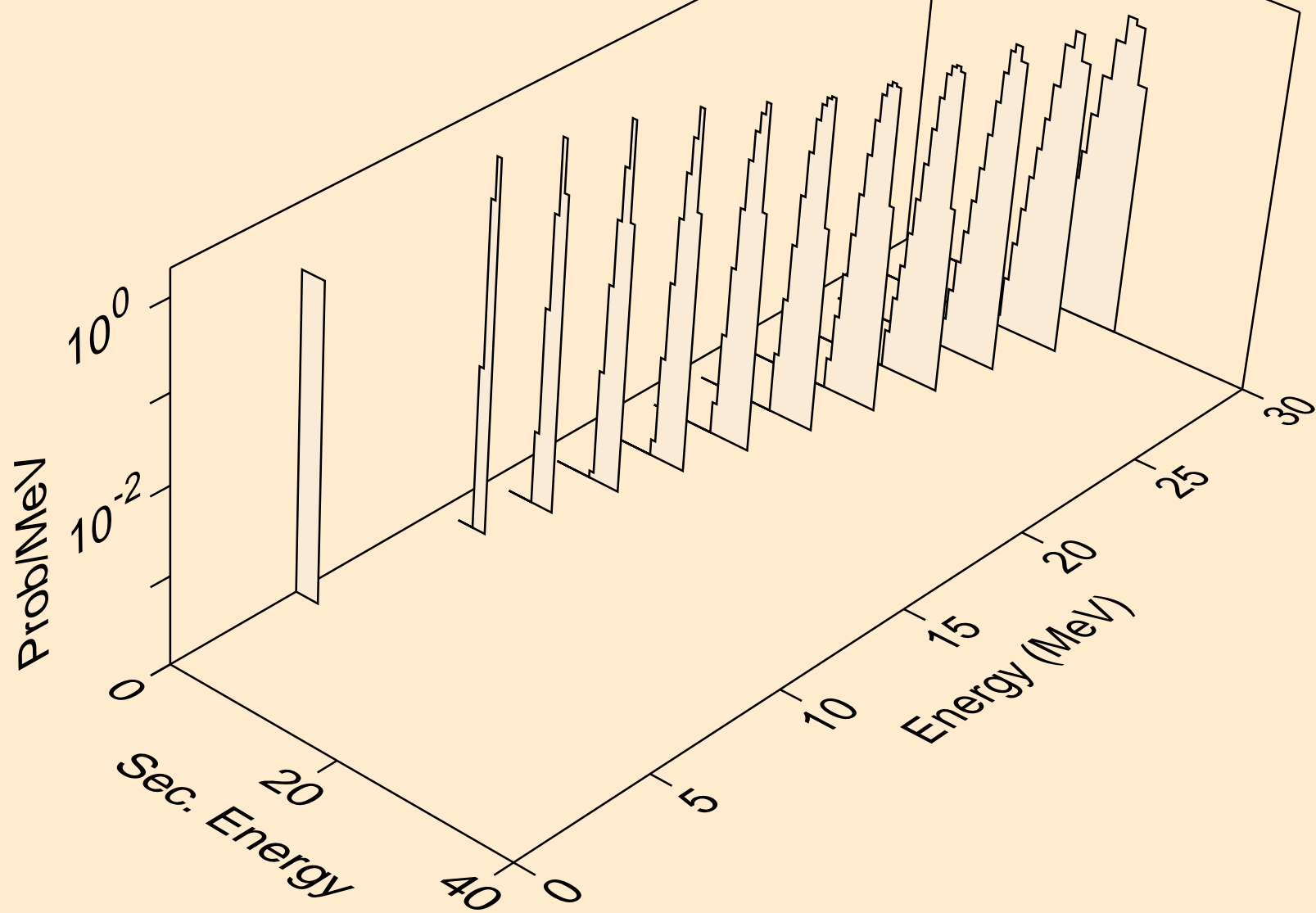
RF268 DEUTERON ACER TENDL-2021 LIBRARY; T=0.K
protons from (d,pd)



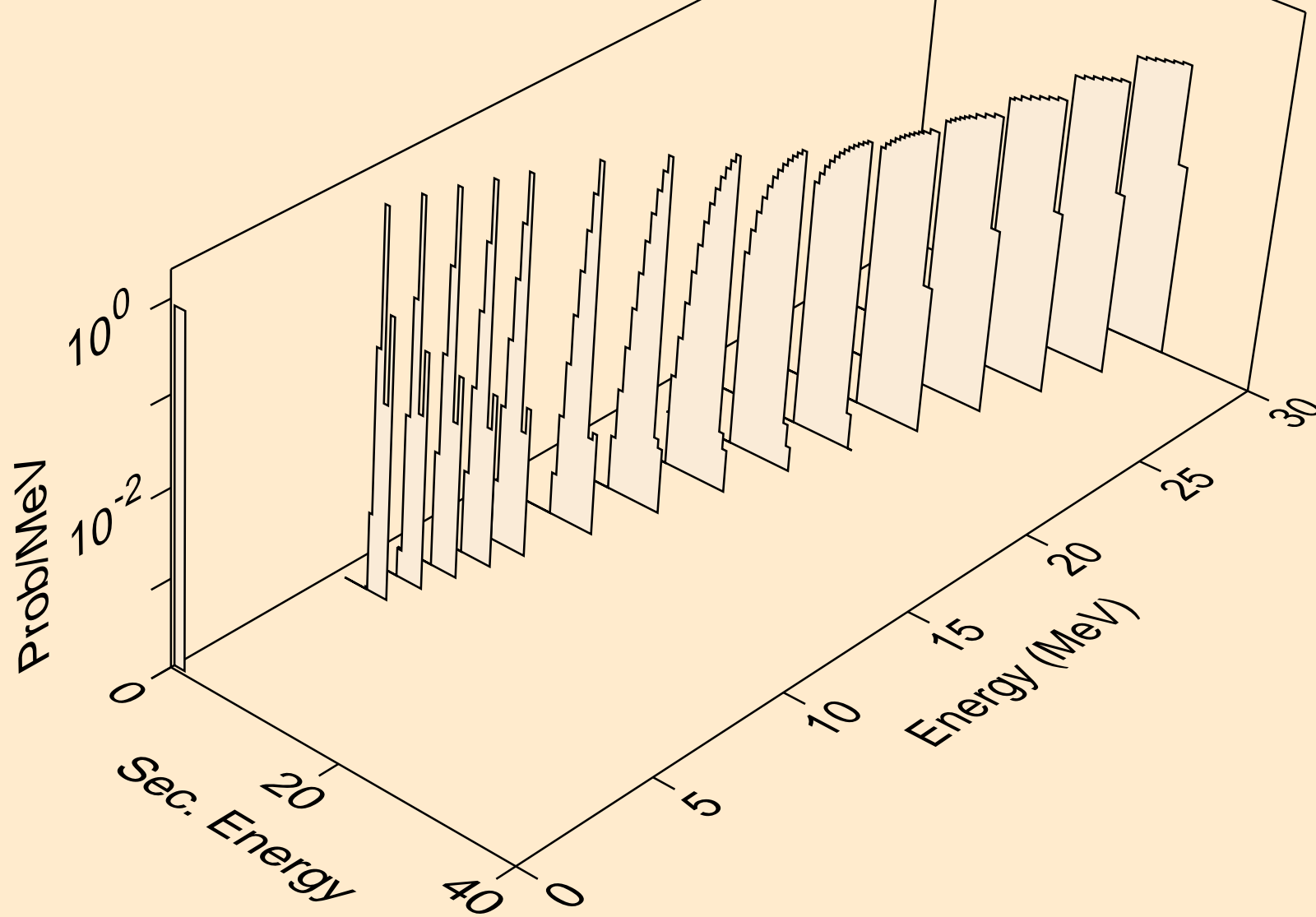
RF268 DEUTERON ACER TENDL-2021 LIBRARY; T=0.K
tritons from (d,x)



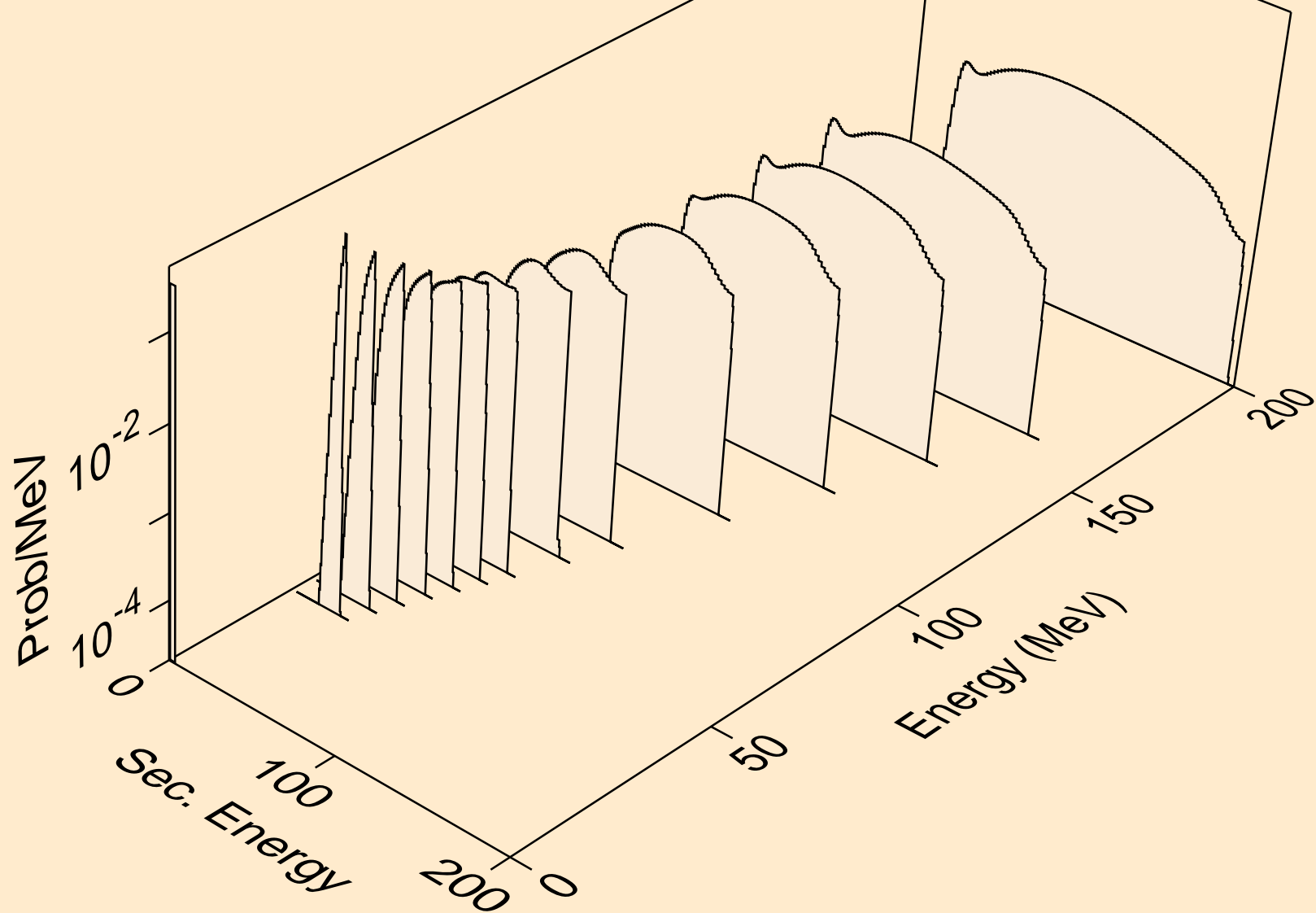
RF268 DEUTERON ACER TENDL-2021 LIBRARY; T=0.K
tritons from (d,n*)t



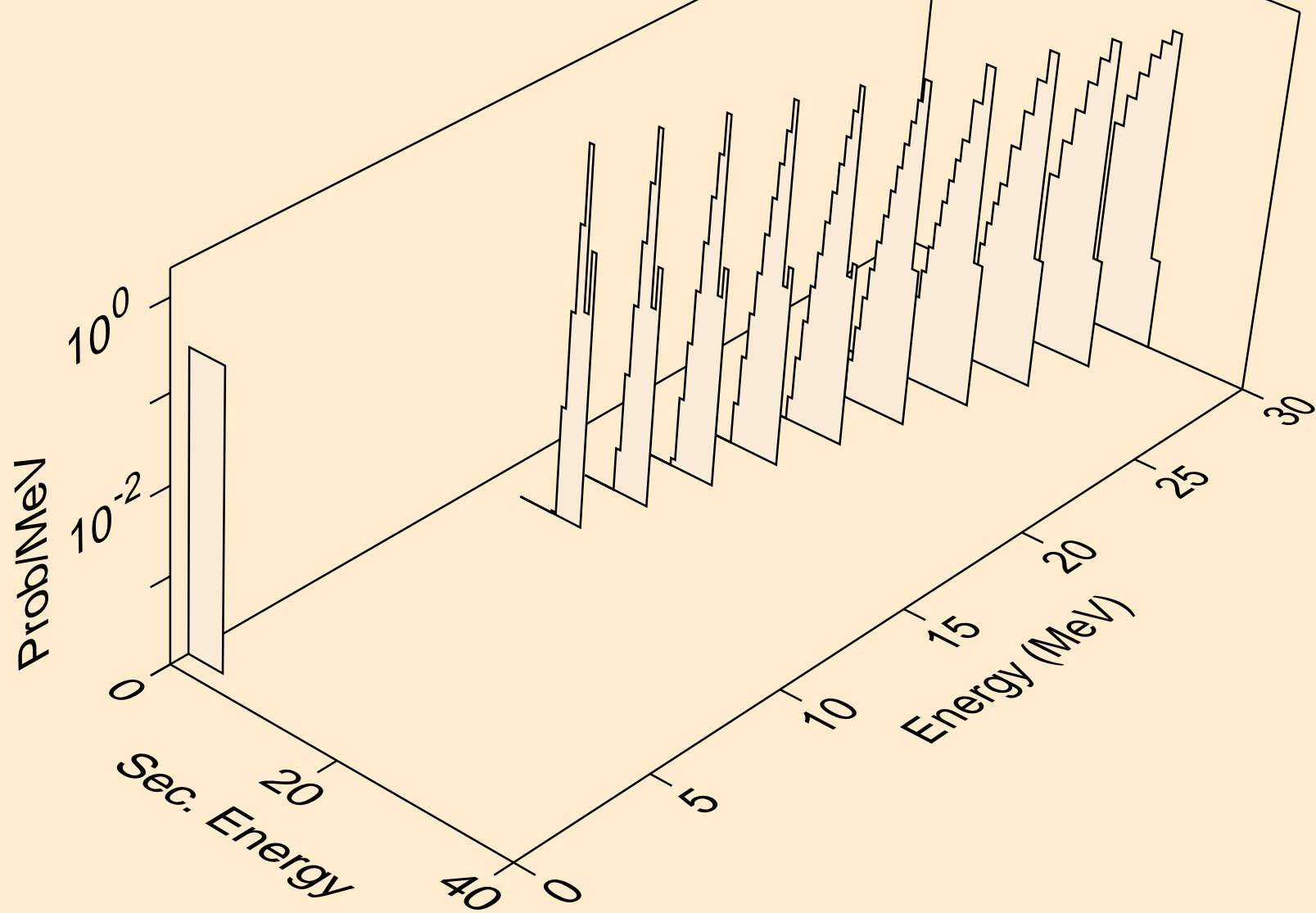
RF268 DEUTERON ACER TENDL-2021 LIBRARY; T=0.K
tritons from (d,t)



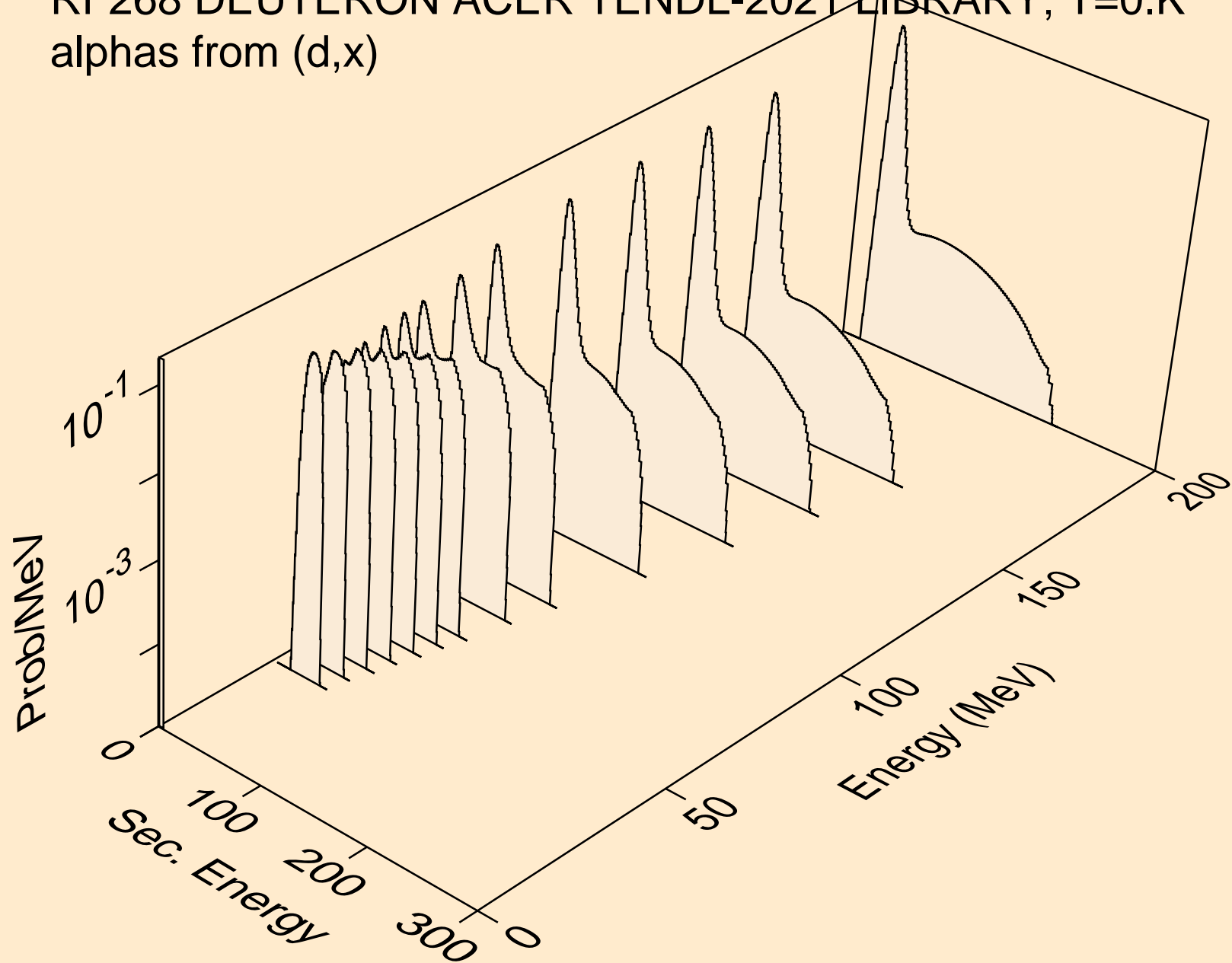
RF268 DEUTERON ACER TENDL-2021 LIBRARY; T=0.K
he3s from (d,x)



RF268 DEUTERON ACER TENDL-2021 LIBRARY; T=0.K
he3s from (d,he3)



RF268 DEUTERON ACER TENDL-2021 LIBRARY; T=0.K
alphas from (d,x)



RF268 DEUTERON ACER TENDL-2021 LIBRARY; T=0.K
alphas from (d,a)

