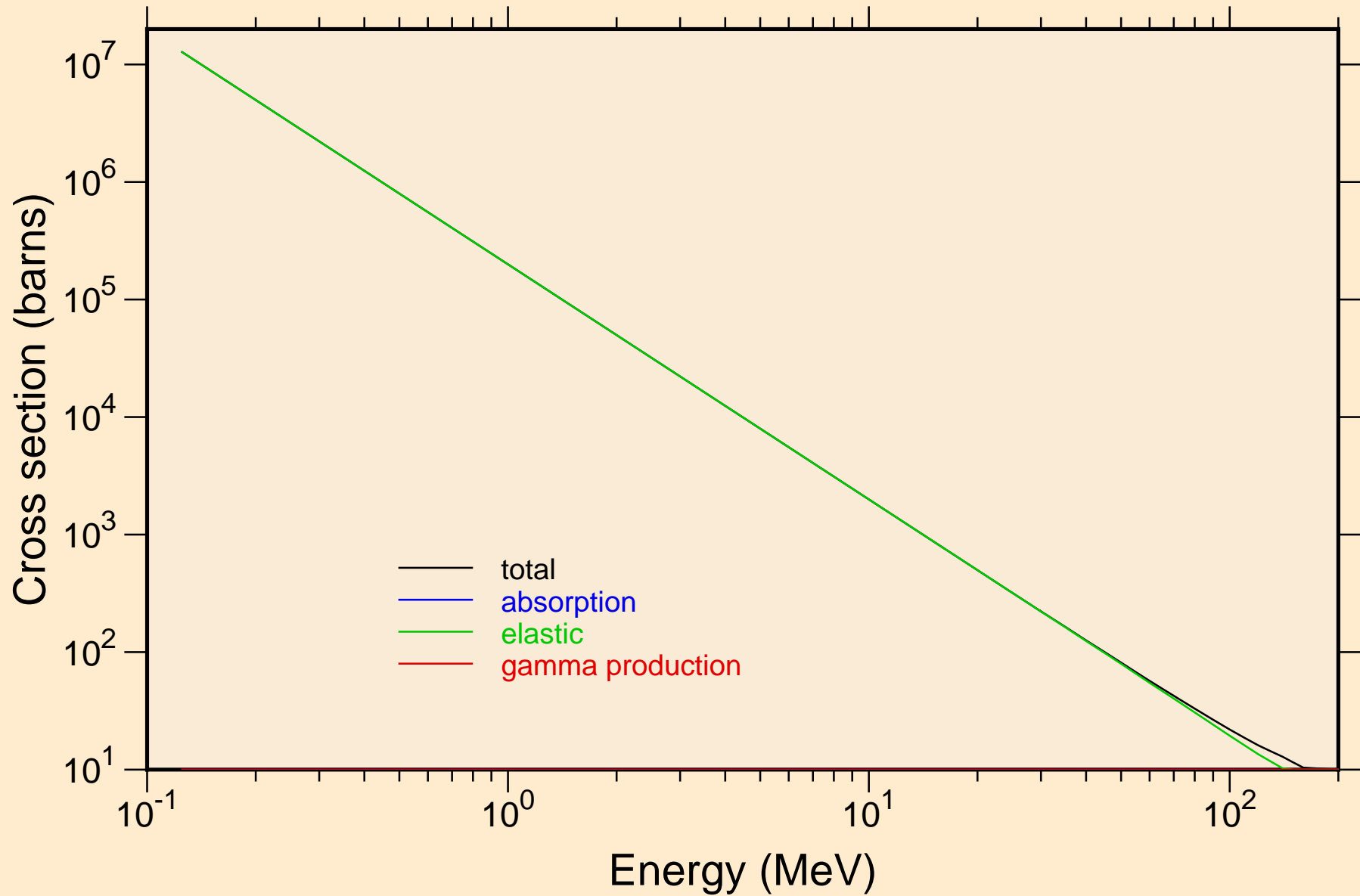
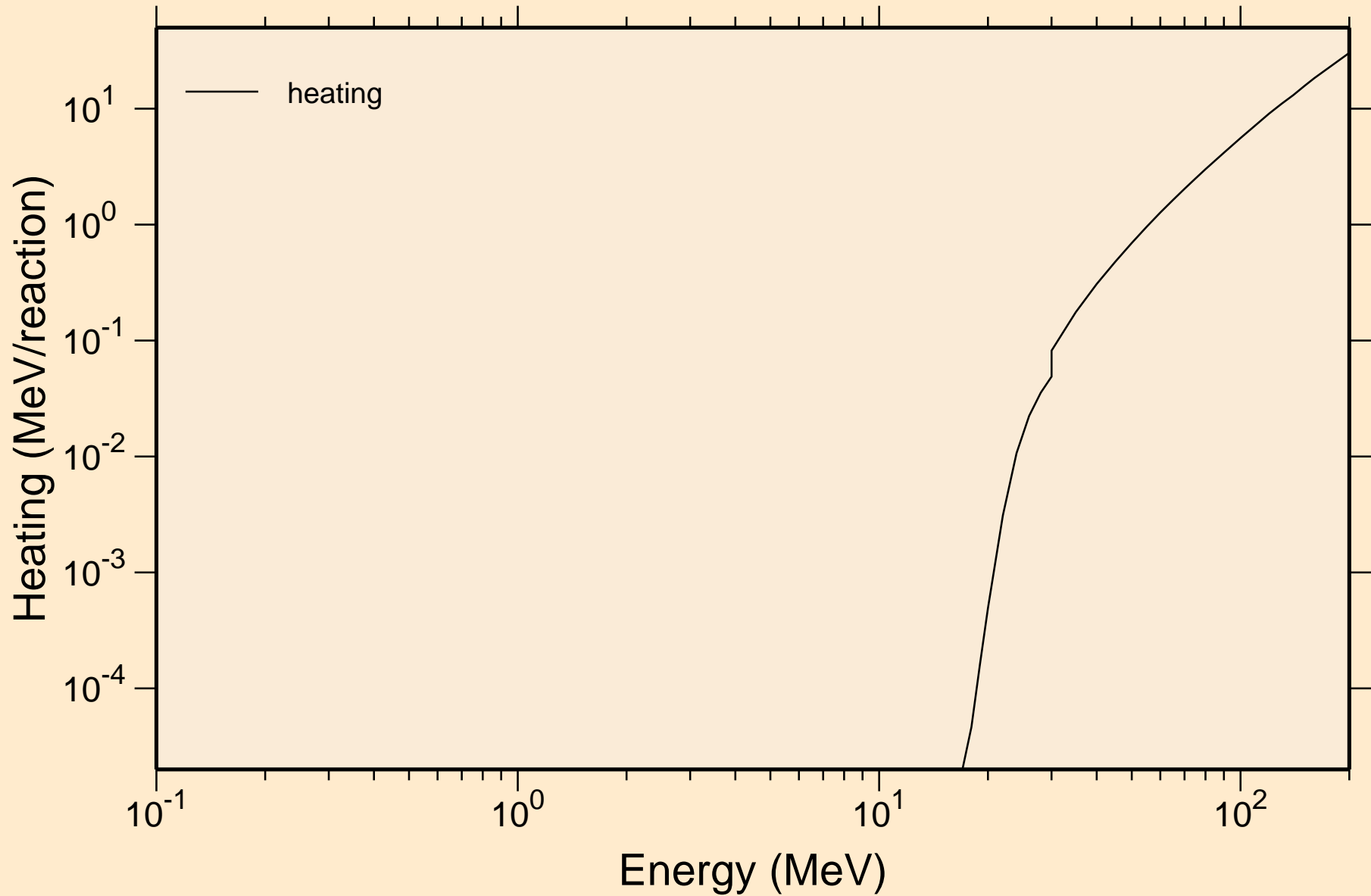


AC236 HELION ACER TENDL-2021 LIBRARY; T=0.K  
Principal cross sections



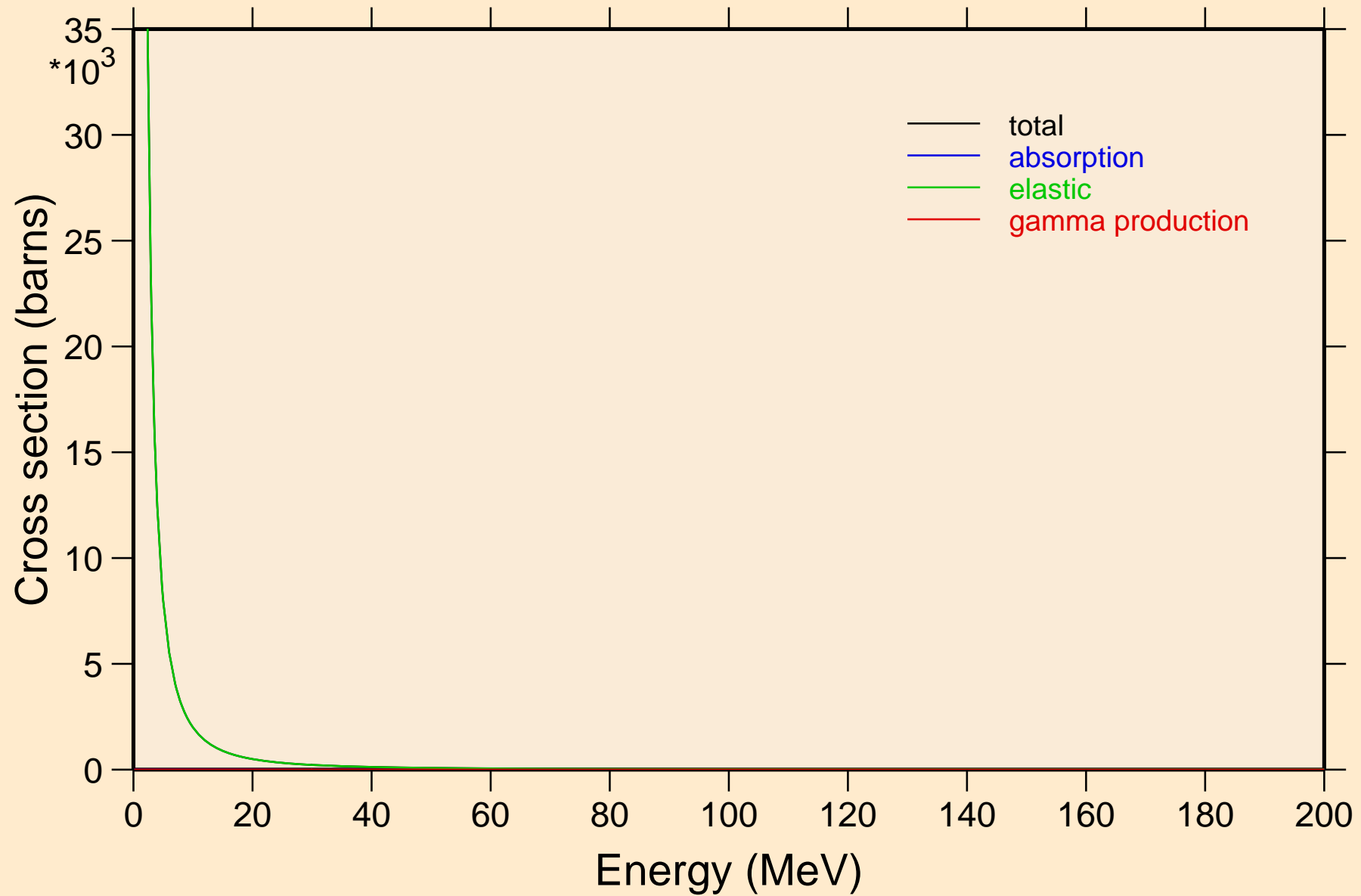
AC236 HELION ACER TENDL-2021 LIBRARY; T=0.K

Heating



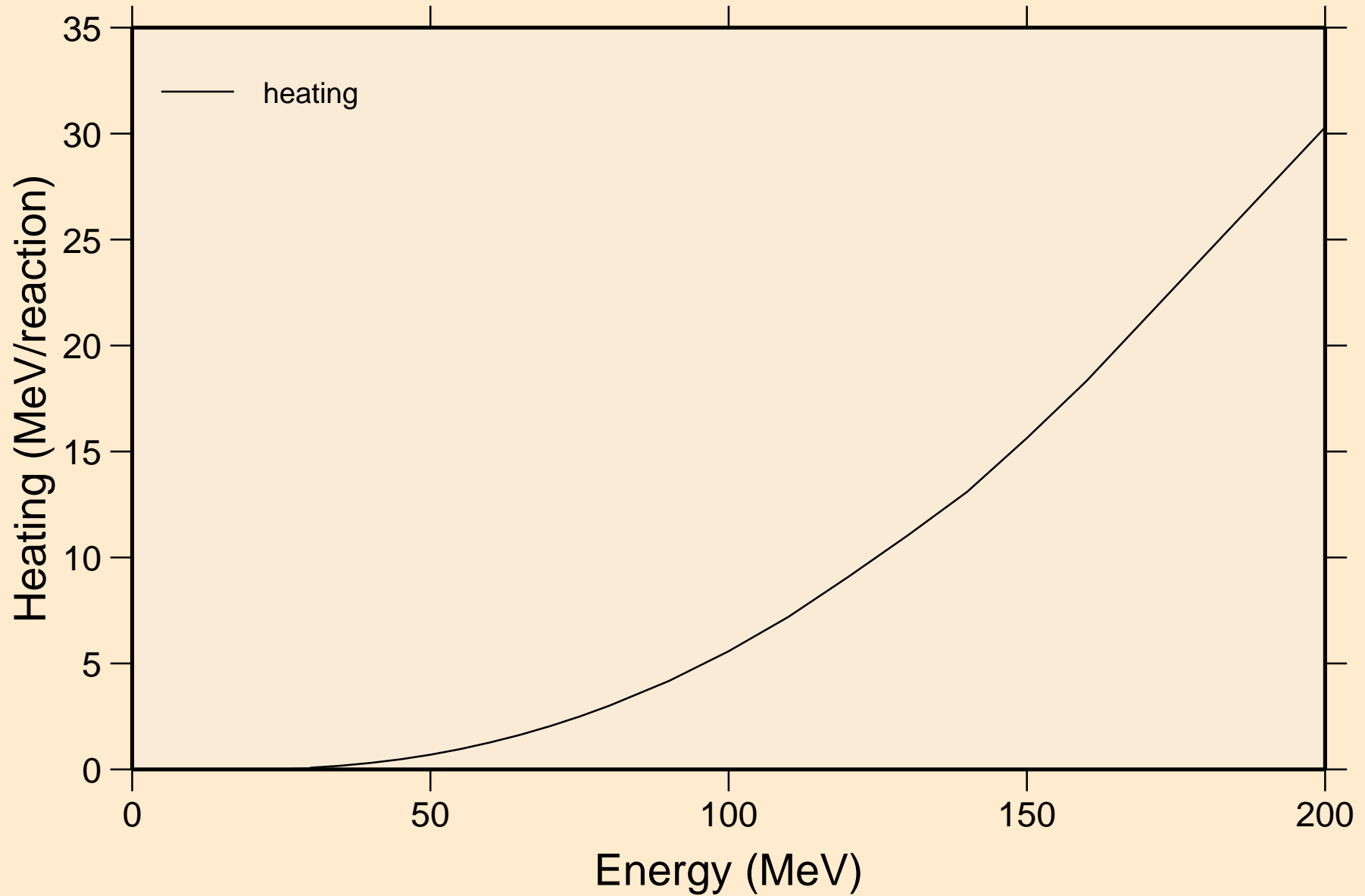
# AC236 HELION ACER TENDL-2021 LIBRARY; T=0.K

## Principal cross sections

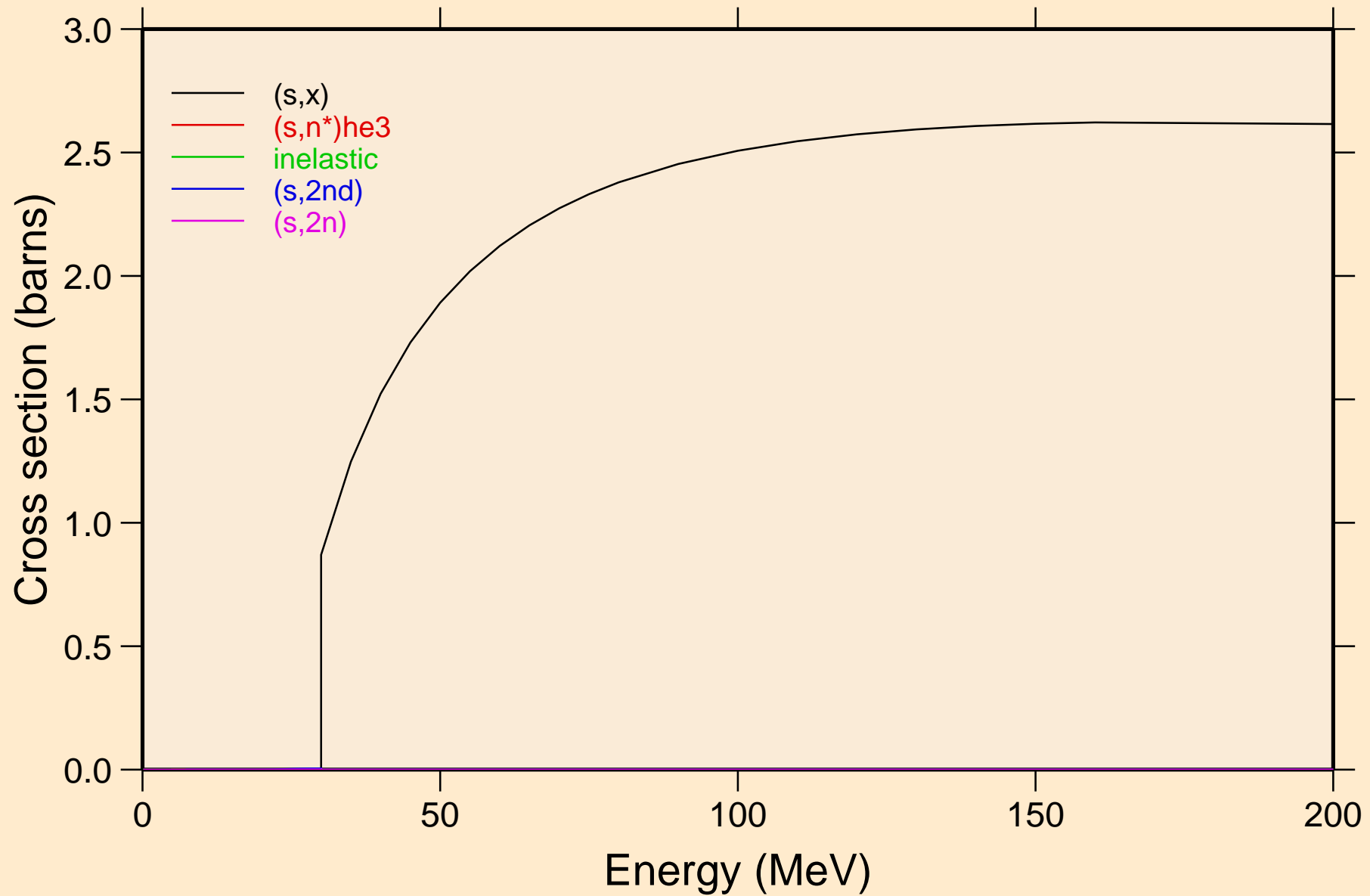


AC236 HELION ACER TENDL-2021 LIBRARY; T=0.K

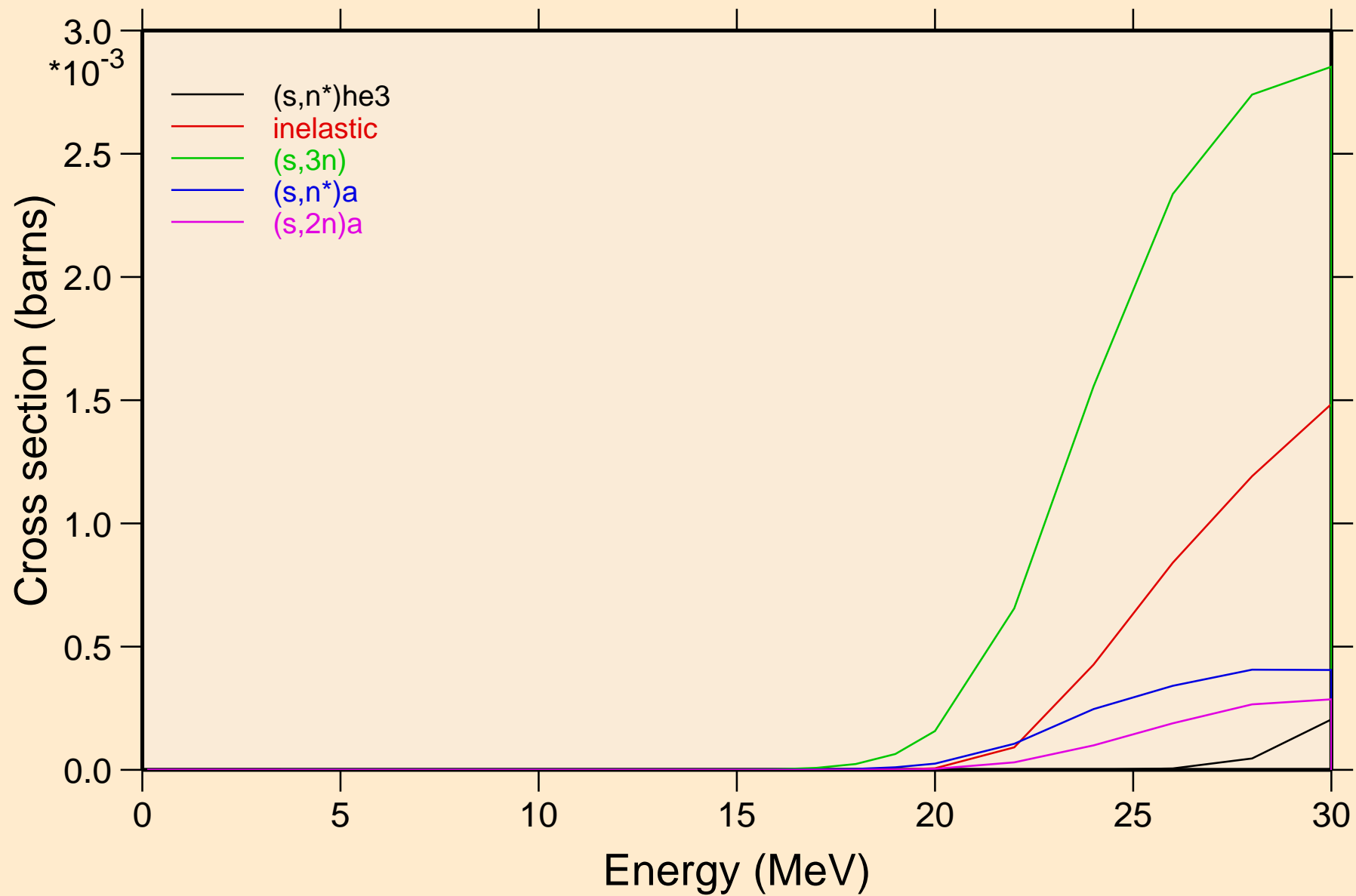
Heating



AC236 HELION ACER TENDL-2021 LIBRARY; T=0.K  
Threshold reactions

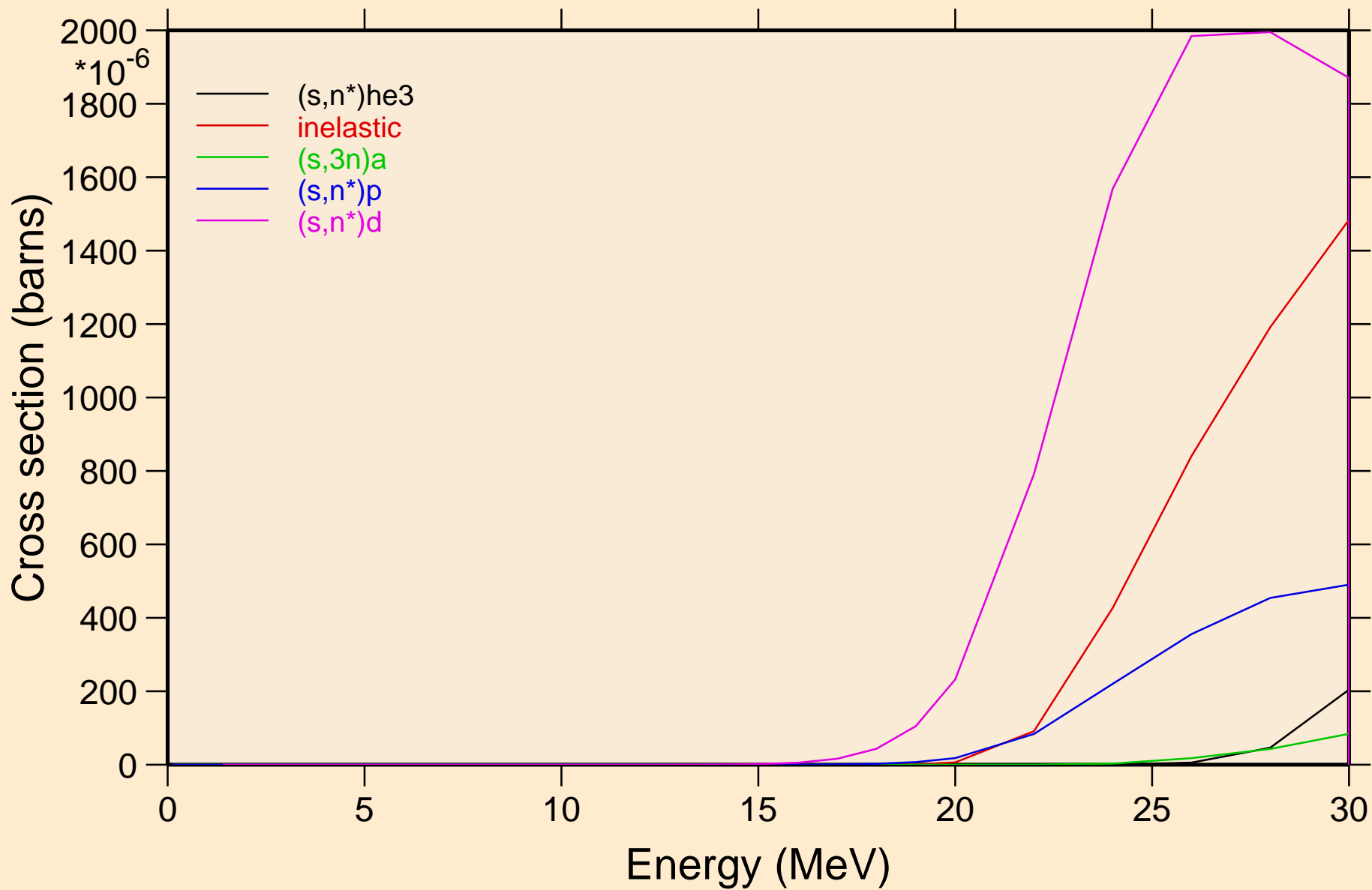


AC236 HELION ACER TENDL-2021 LIBRARY; T=0.K  
Threshold reactions

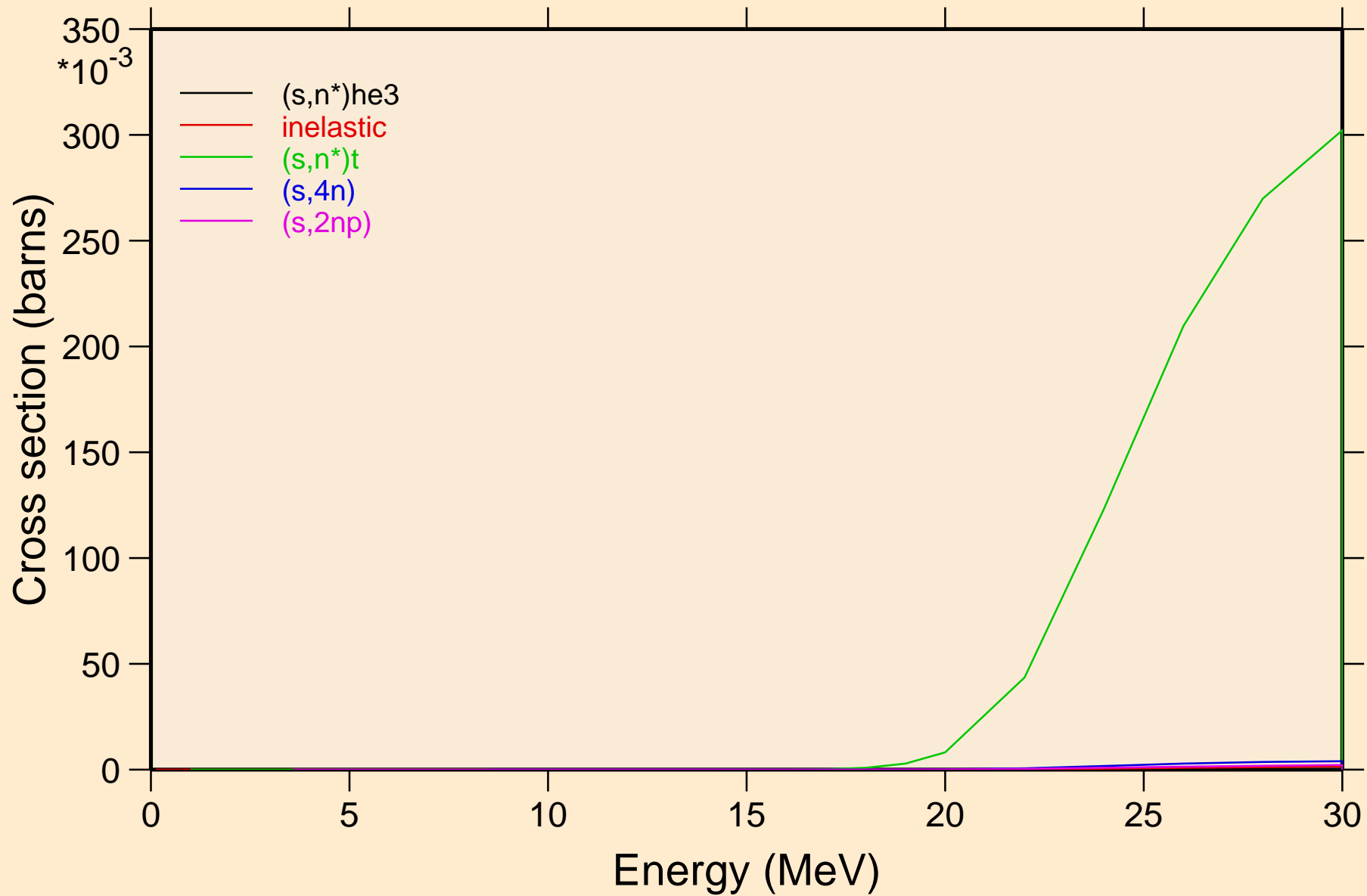


# AC236 HELION ACER TENDL-2021 LIBRARY; T=0.K

## Threshold reactions

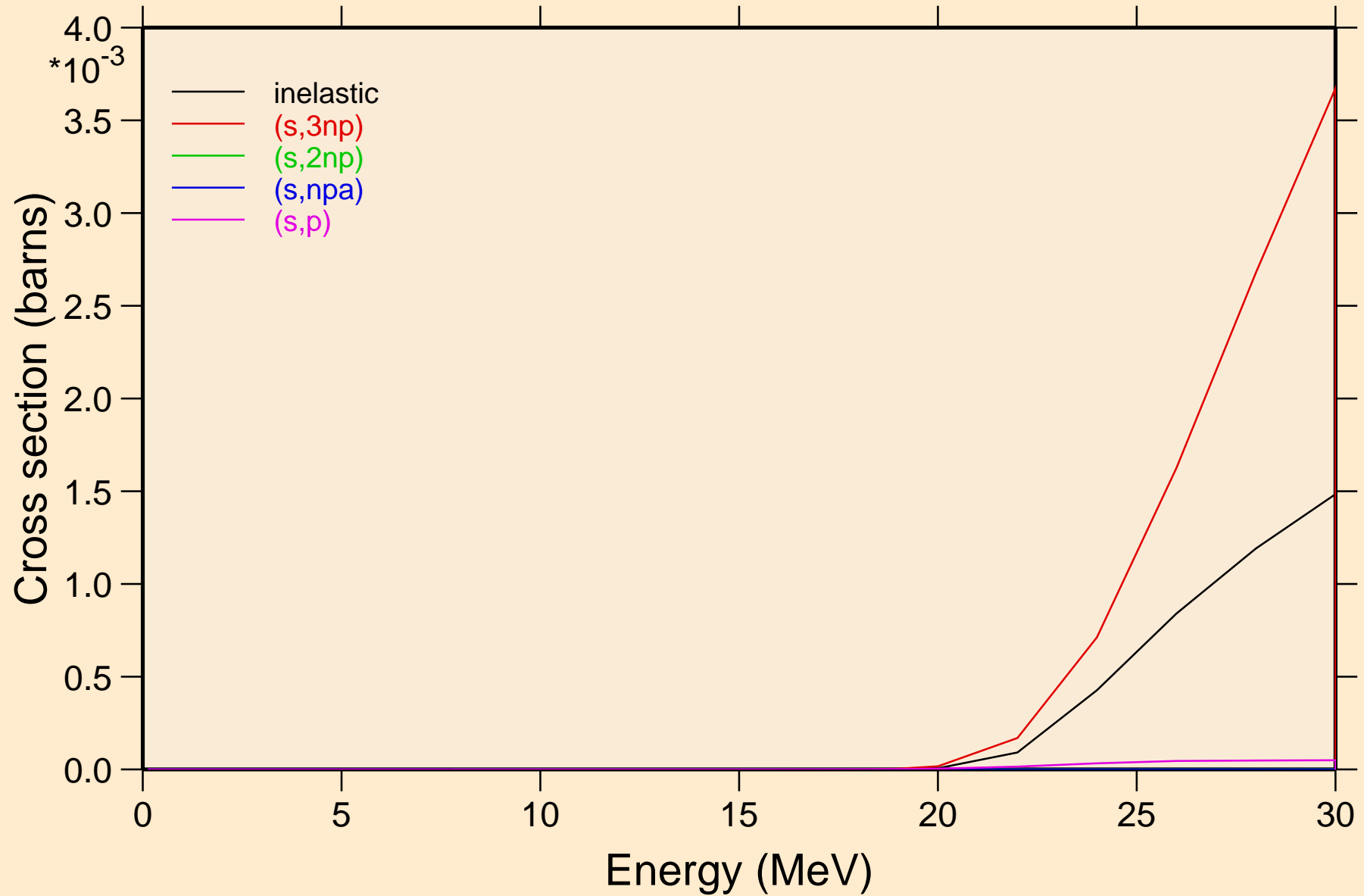


AC236 HELION ACER TENDL-2021 LIBRARY; T=0.K  
Threshold reactions

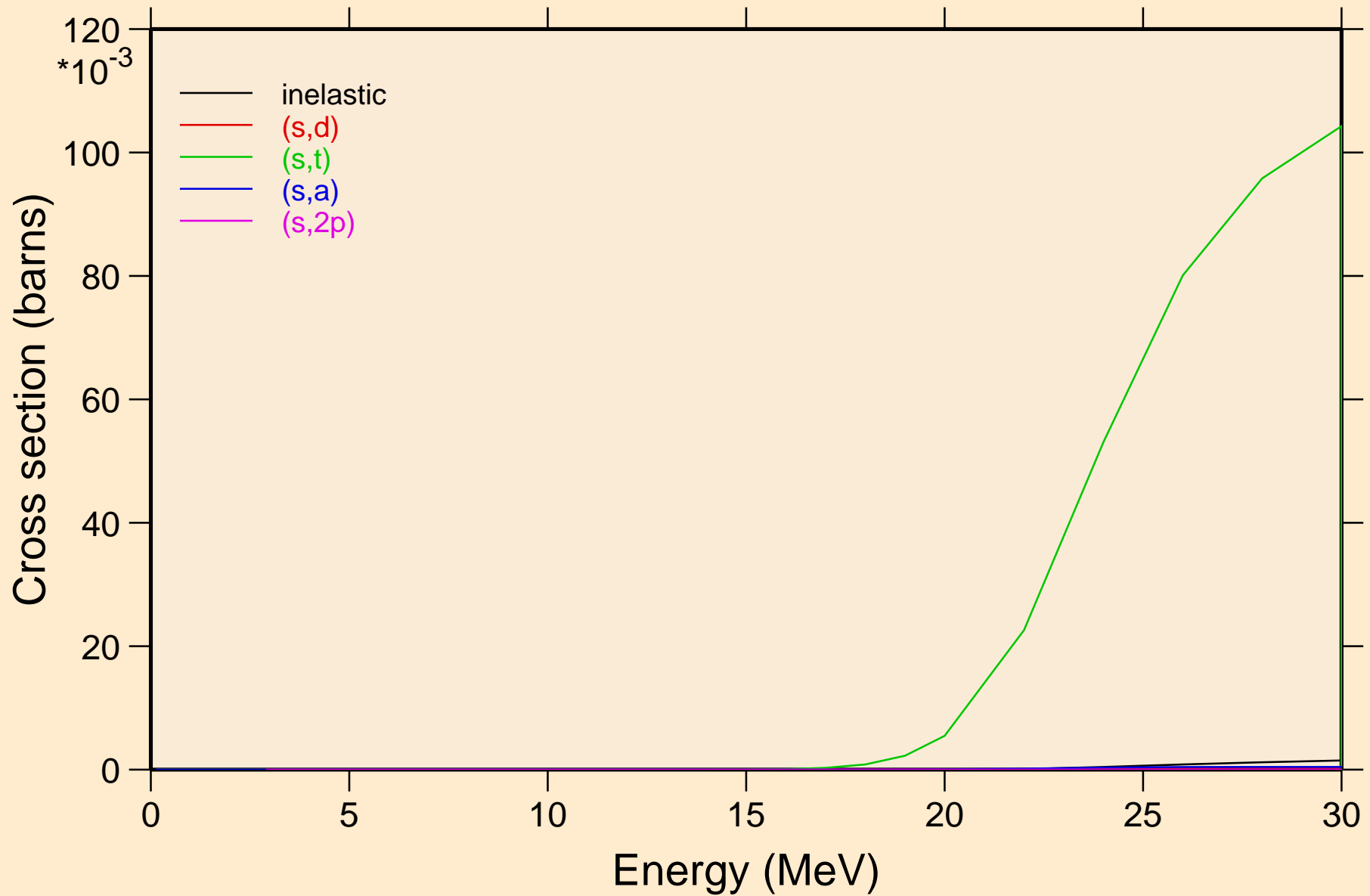




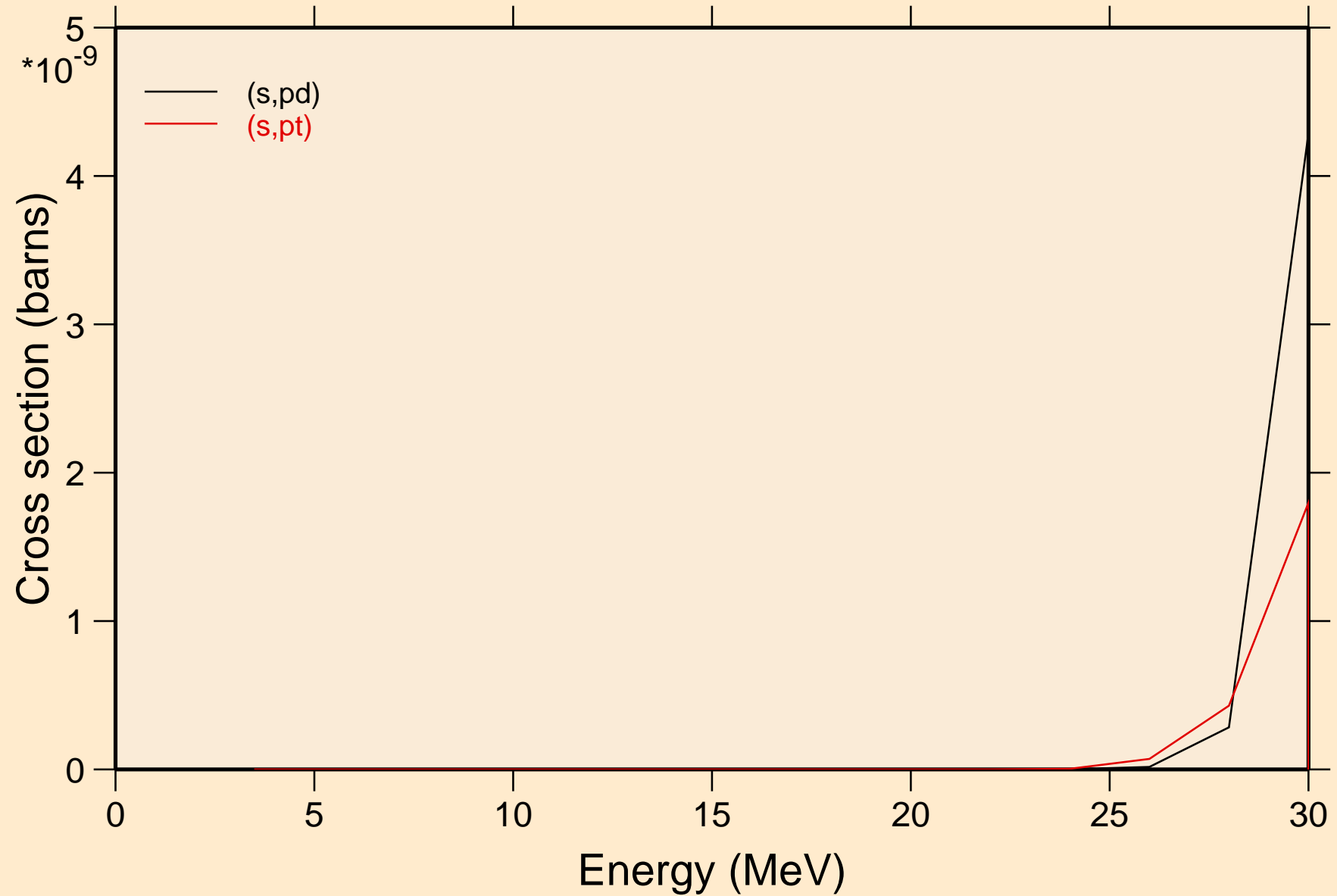
AC236 HELION ACER TENDL-2021 LIBRARY; T=0.K  
Threshold reactions



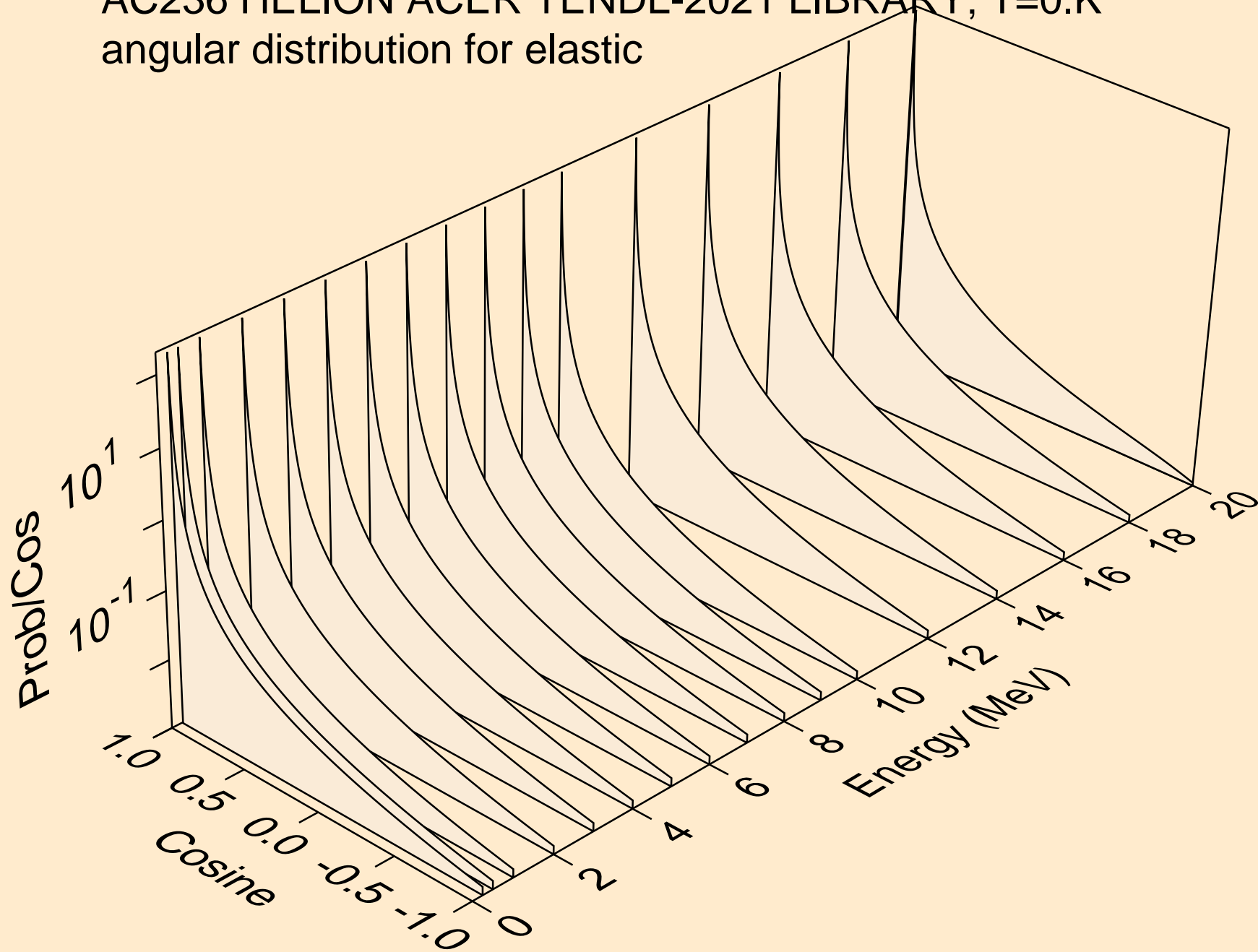
AC236 HELION ACER TENDL-2021 LIBRARY; T=0.K  
Threshold reactions



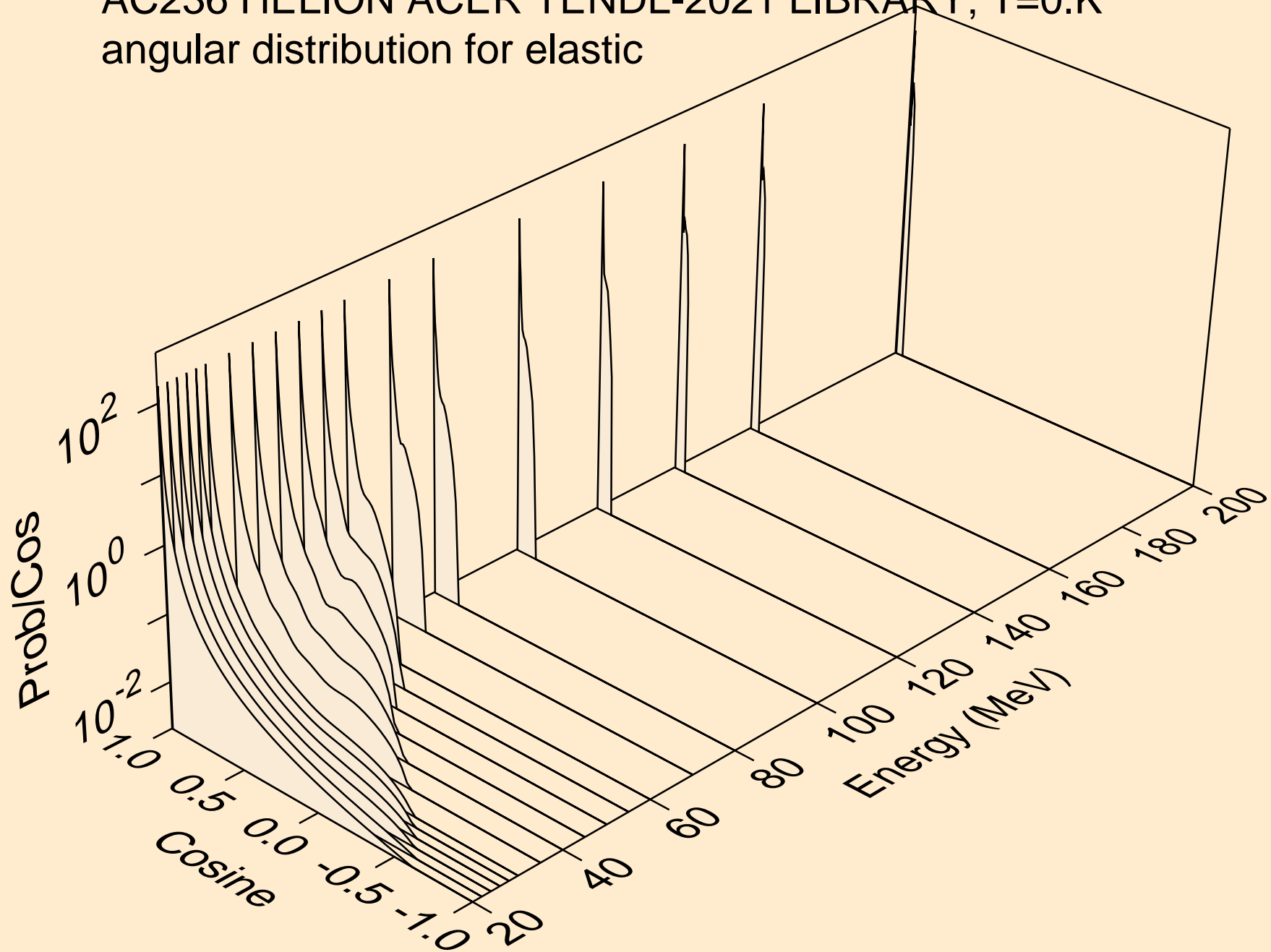
AC236 HELION ACER TENDL-2021 LIBRARY; T=0.K  
Threshold reactions



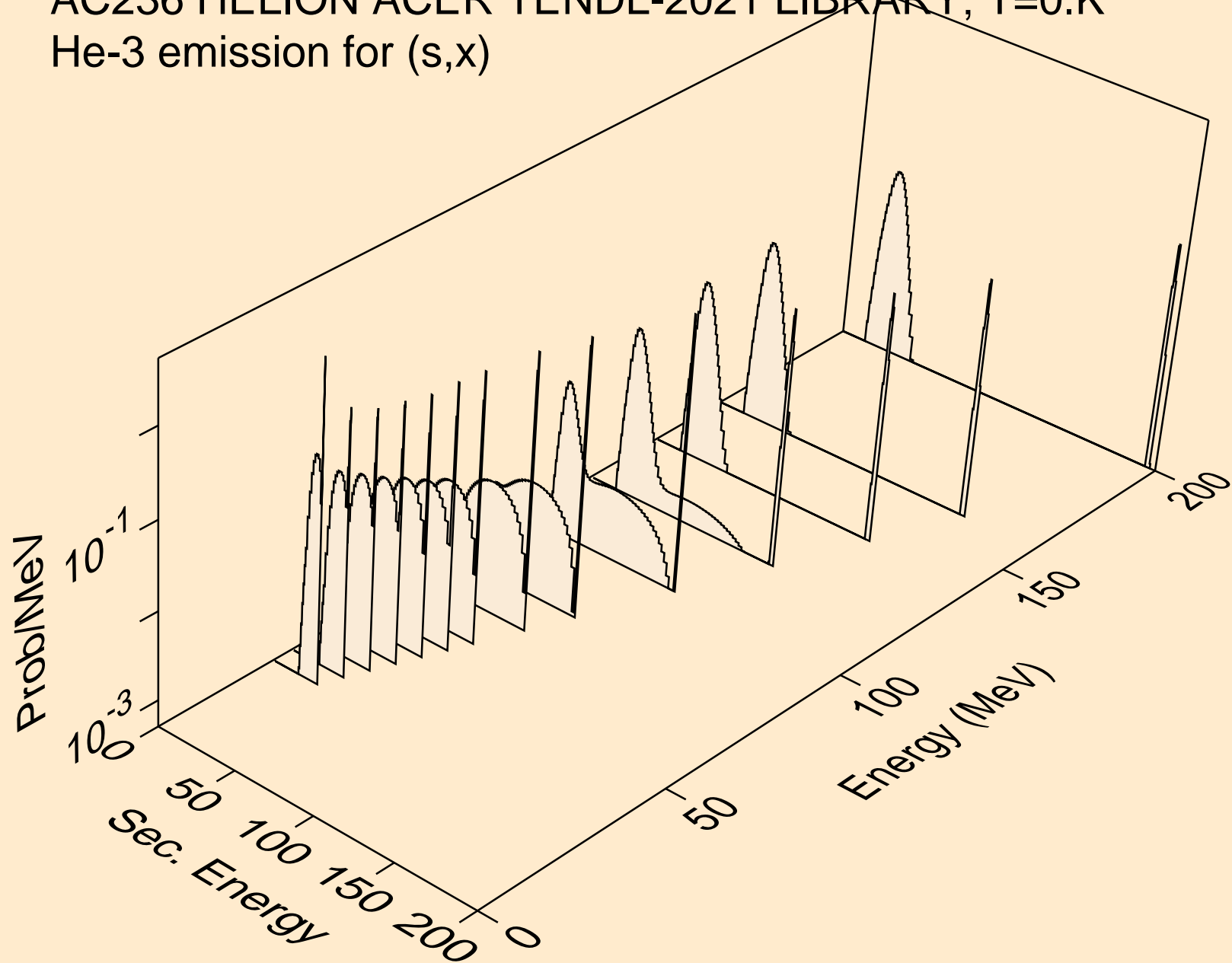
AC236 HELION ACER TENDL-2021 LIBRARY; T=0.K  
angular distribution for elastic



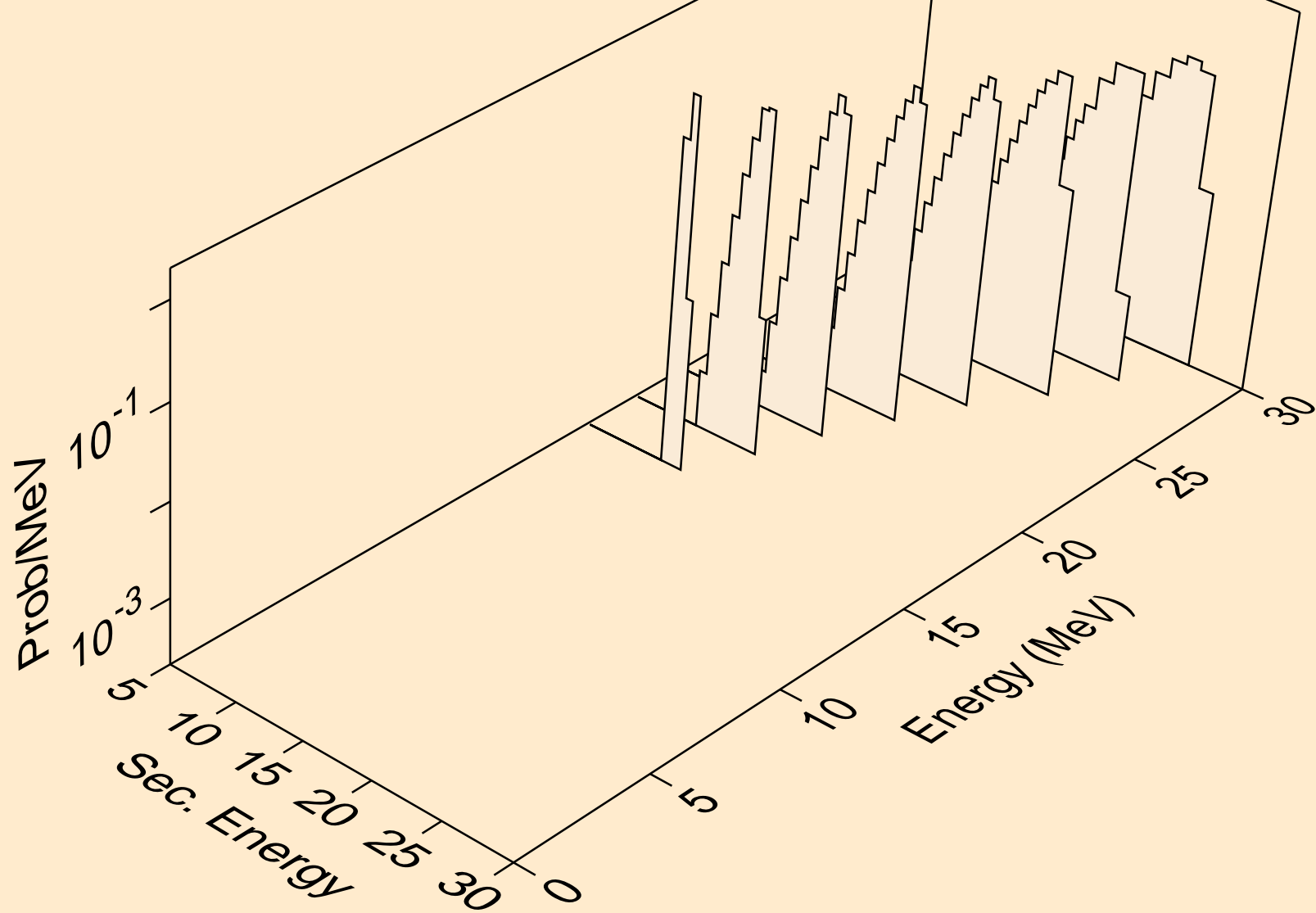
AC236 HELION ACER TENDL-2021 LIBRARY; T=0.K  
angular distribution for elastic



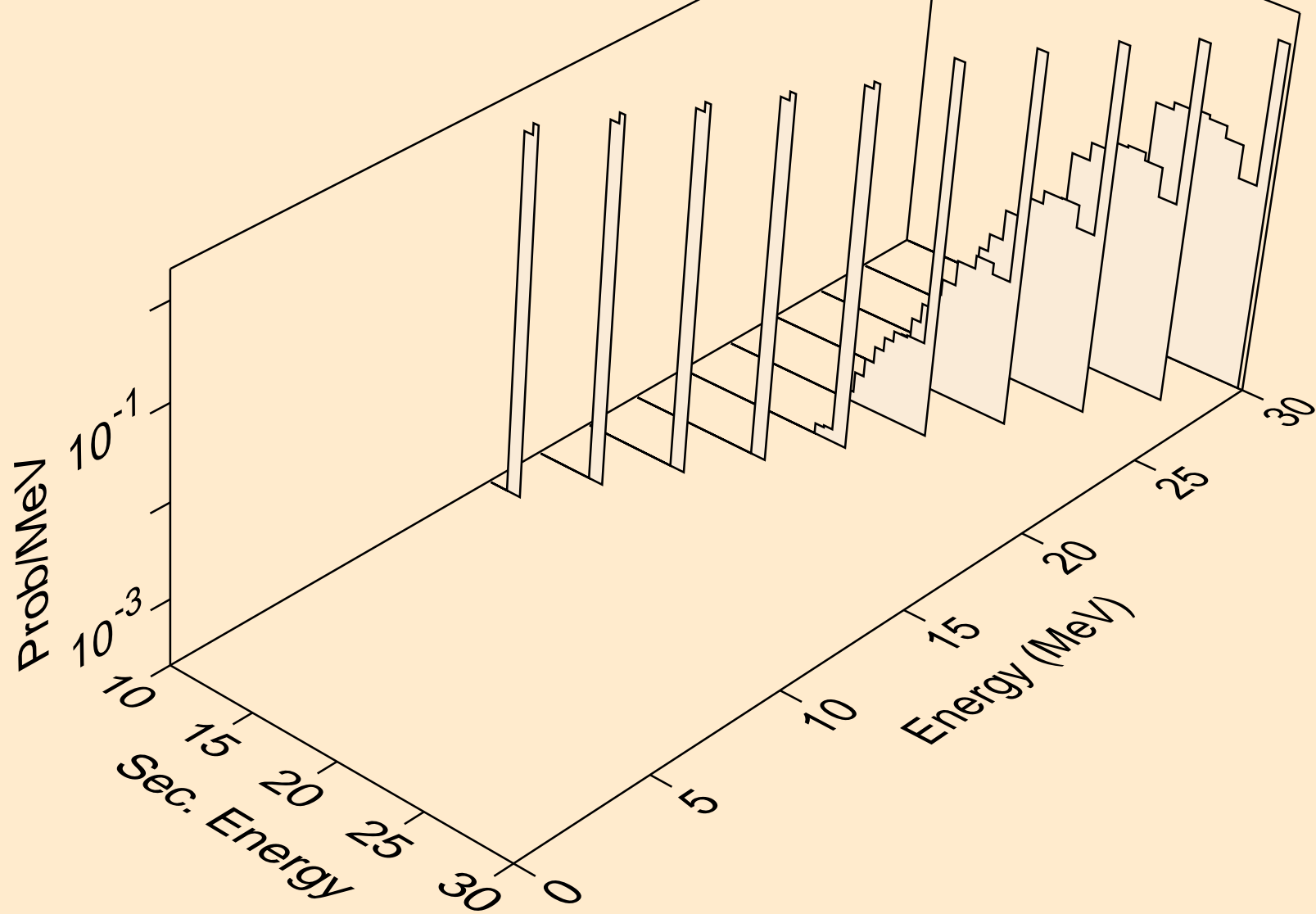
AC236 HELION ACER TENDL-2021 LIBRARY; T=0.K  
He-3 emission for (s,x)



AC236 HELION ACER TENDL-2021 LIBRARY; T=0.K  
He-3 emission for (s,n\*)he3

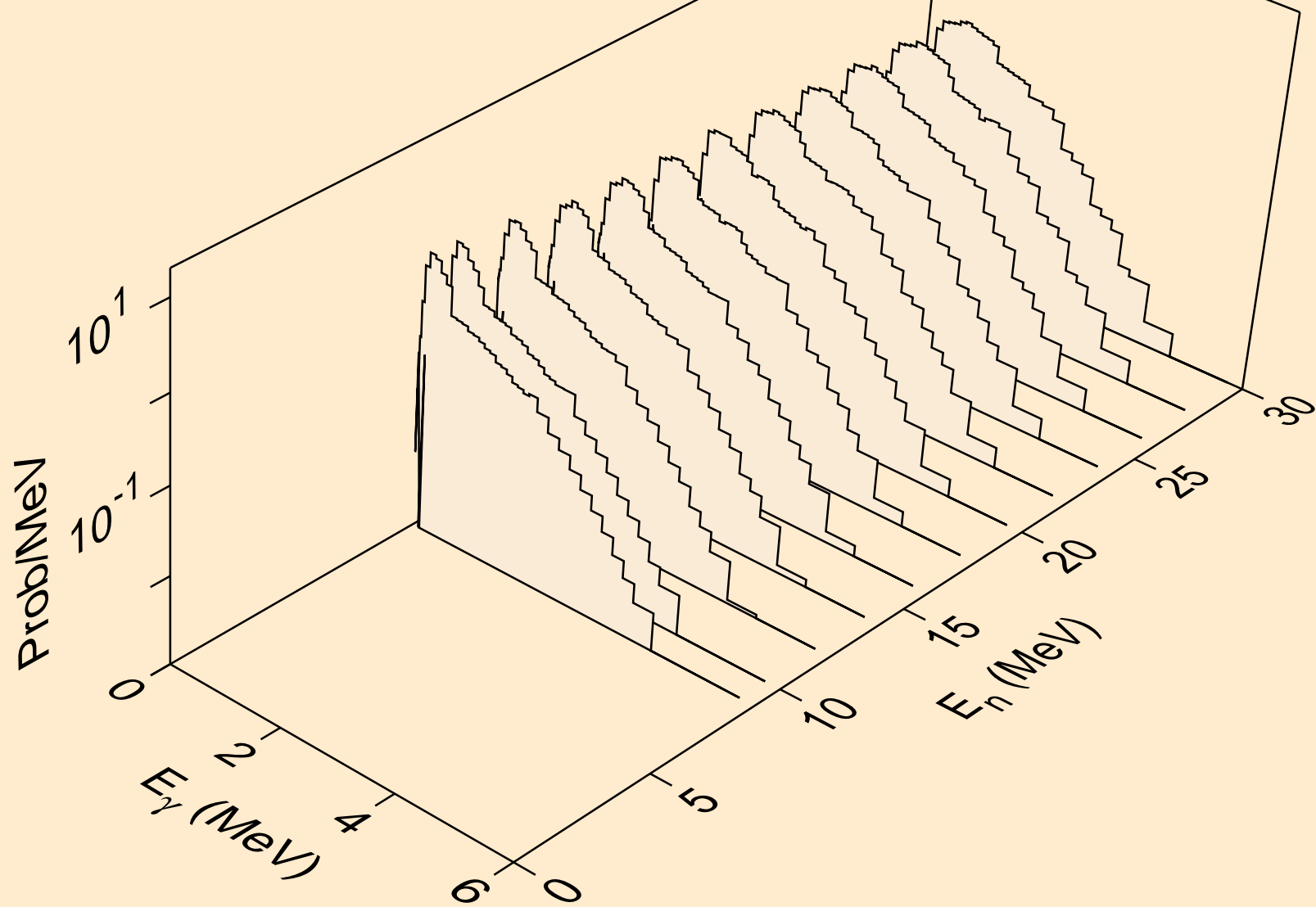


AC236 HELION ACER TENDL-2021 LIBRARY; T=0.K  
He-3 emission for inelastic

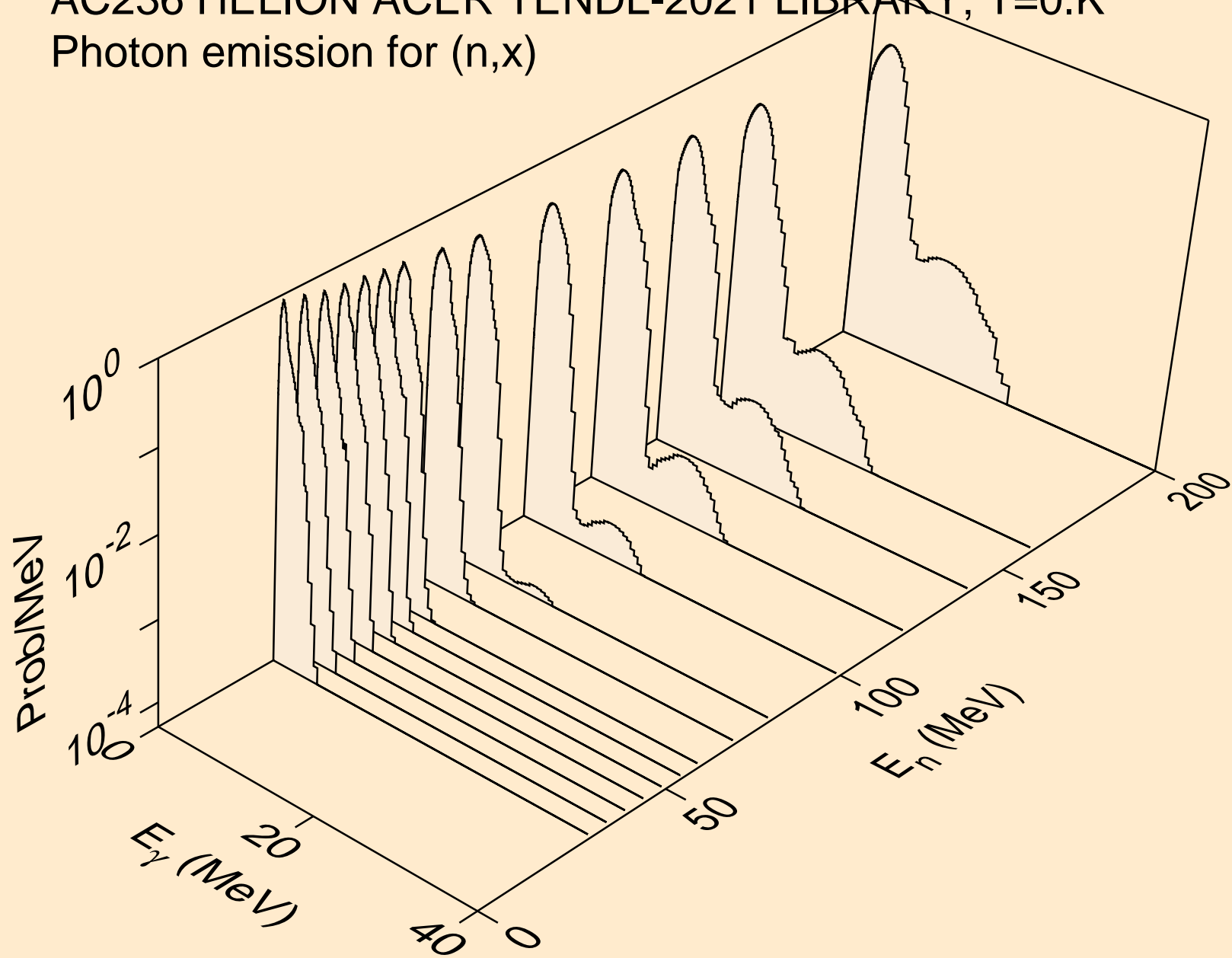




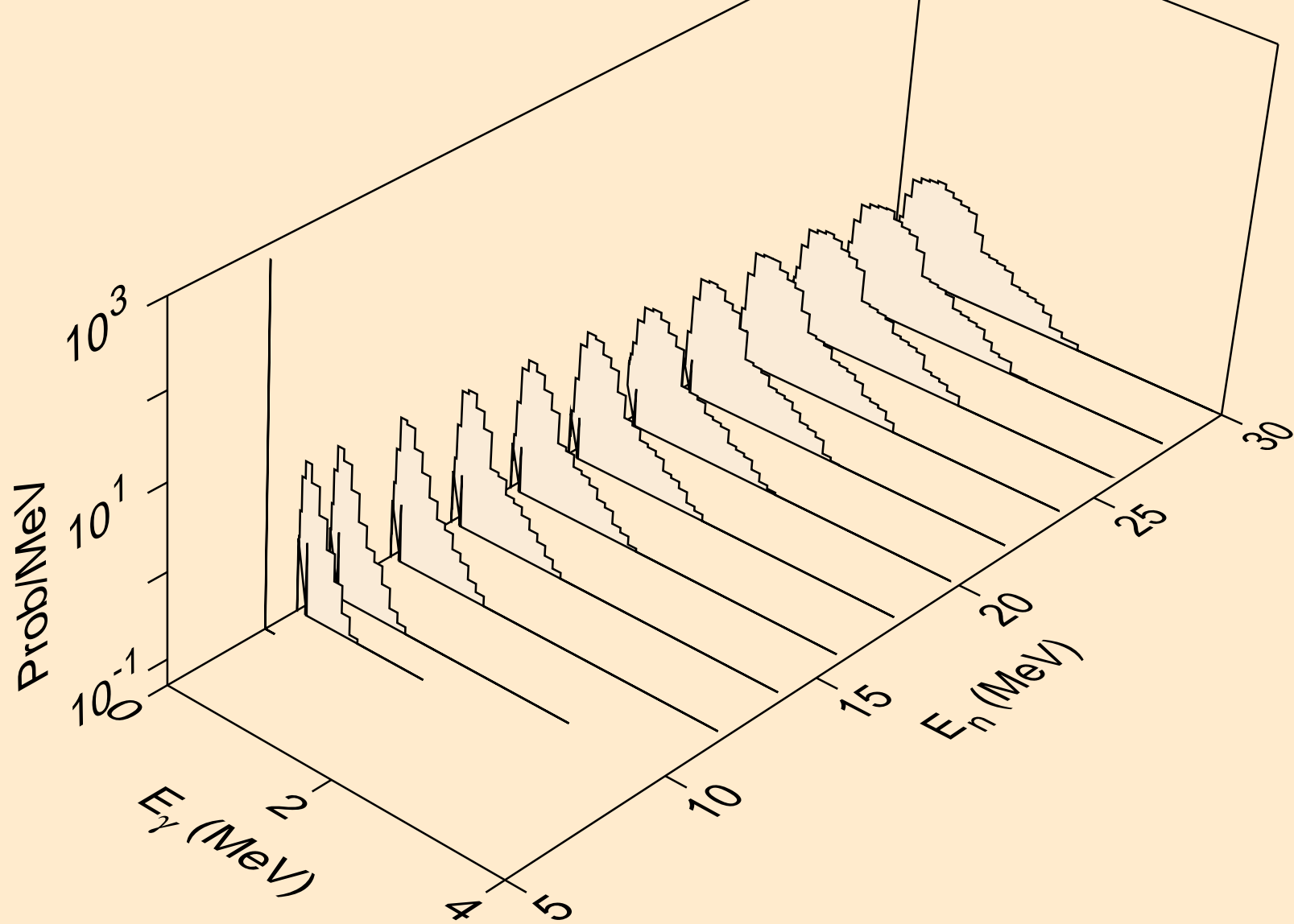
AC236 HELION ACER TENDL-2021 LIBRARY; T=0.K  
Photon emission for (z,n)



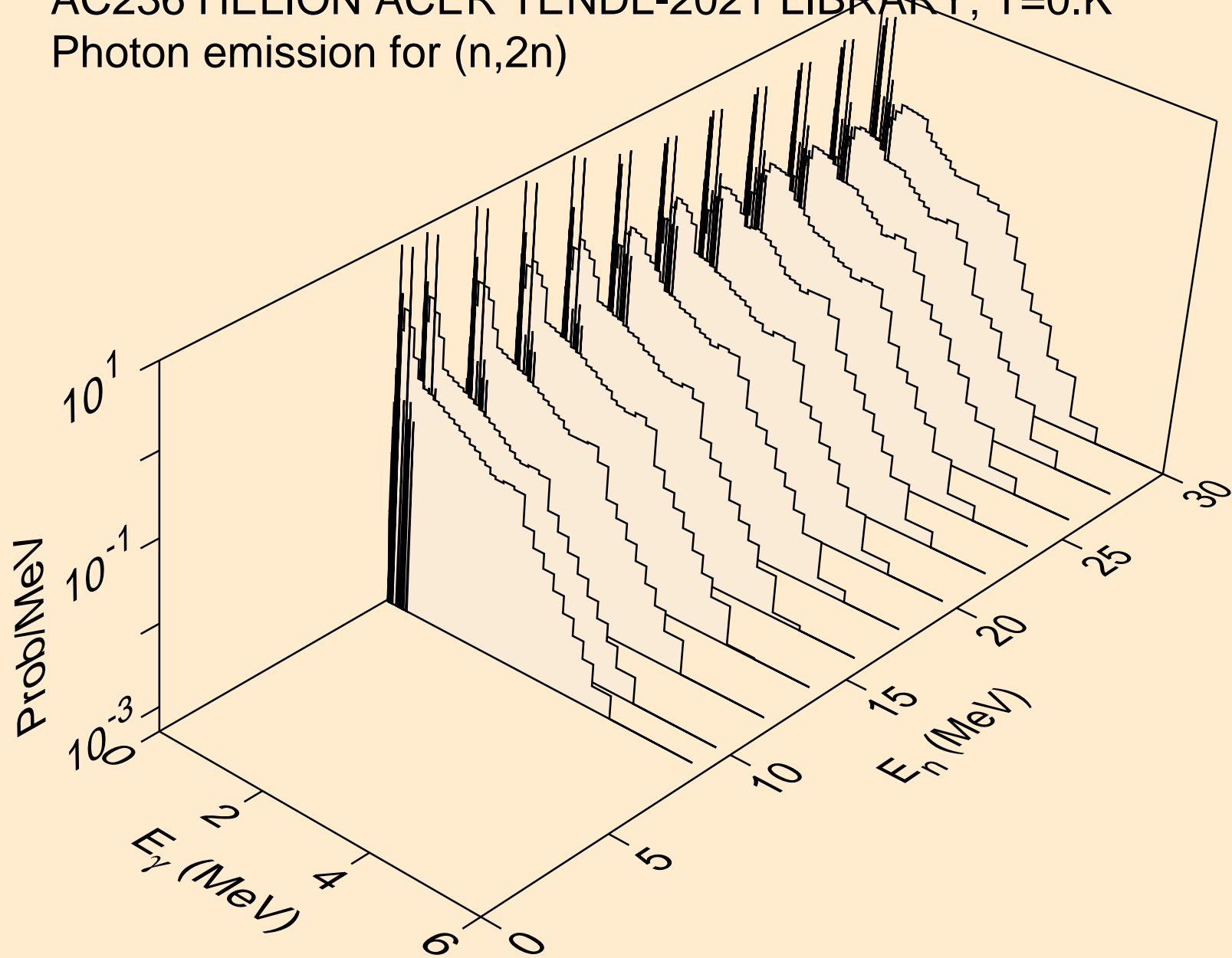
AC236 HELION ACER TENDL-2021 LIBRARY; T=0.K  
Photon emission for (n,x)



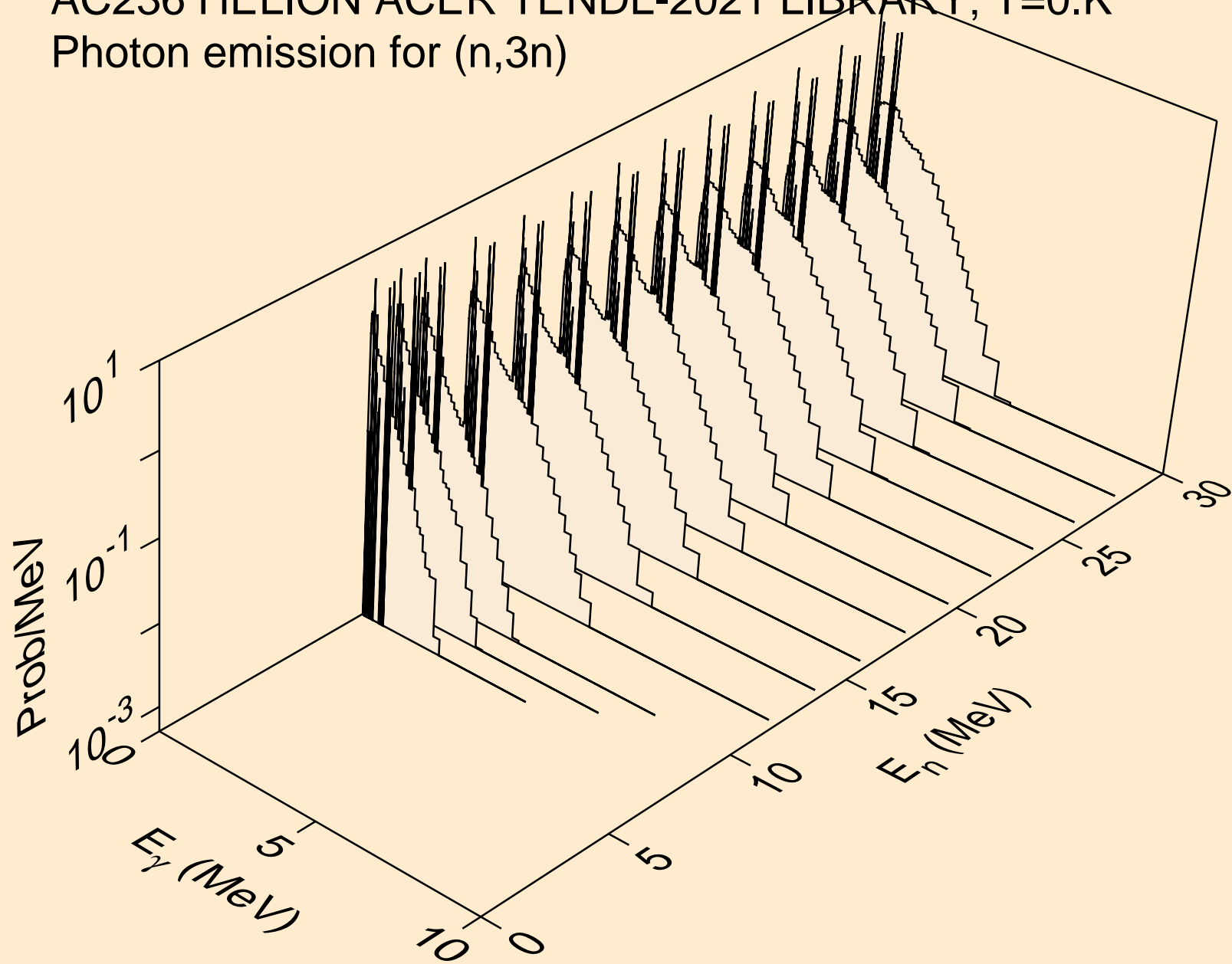
AC236 HELION ACER TENDL-2021 LIBRARY; T=0.K  
Photon emission for (n,2nd)



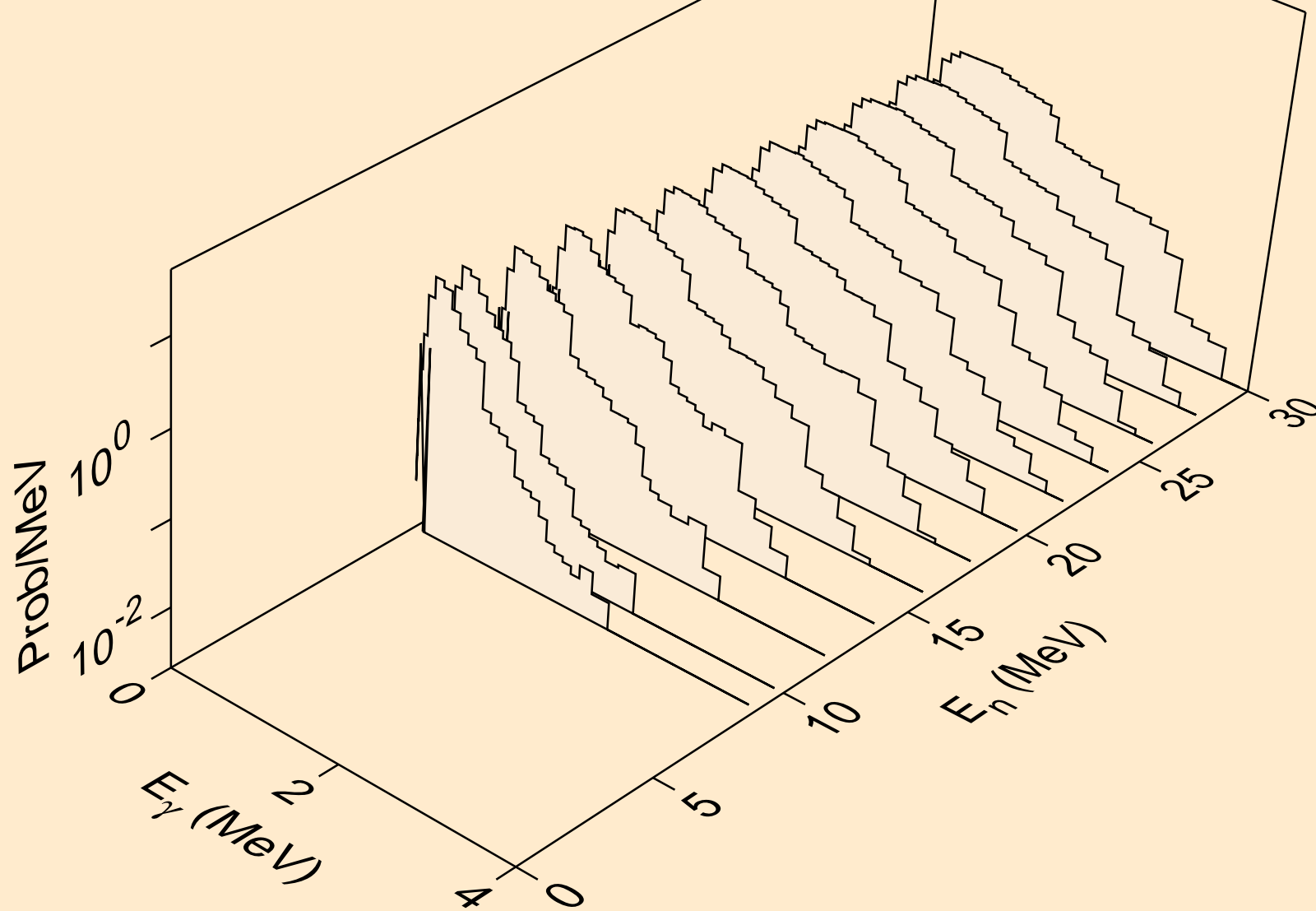
AC236 HELION ACER TENDL-2021 LIBRARY; T=0.K  
Photon emission for (n,2n)



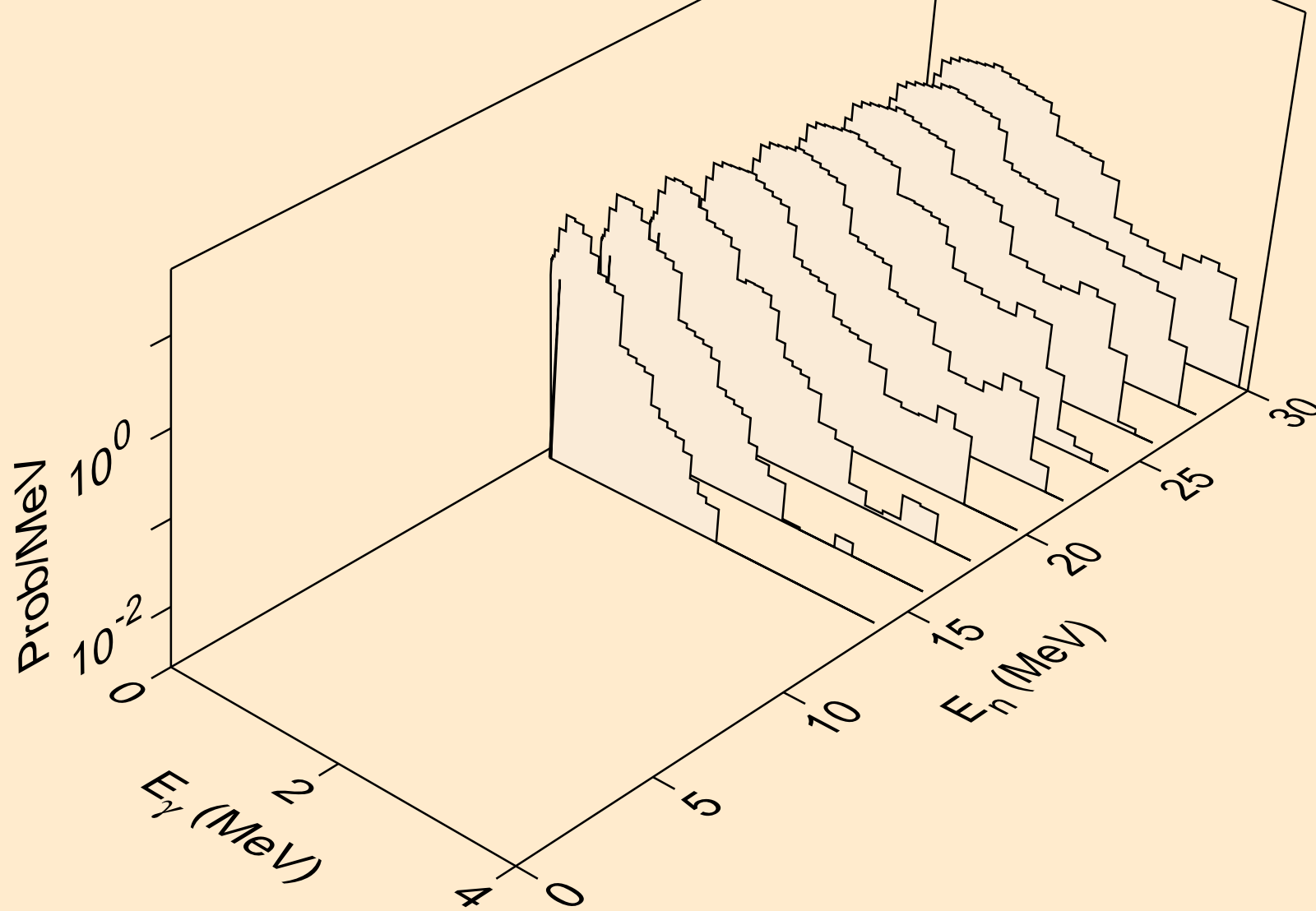
AC236 HELION ACER TENDL-2021 LIBRARY; T=0.K  
Photon emission for (n,3n)



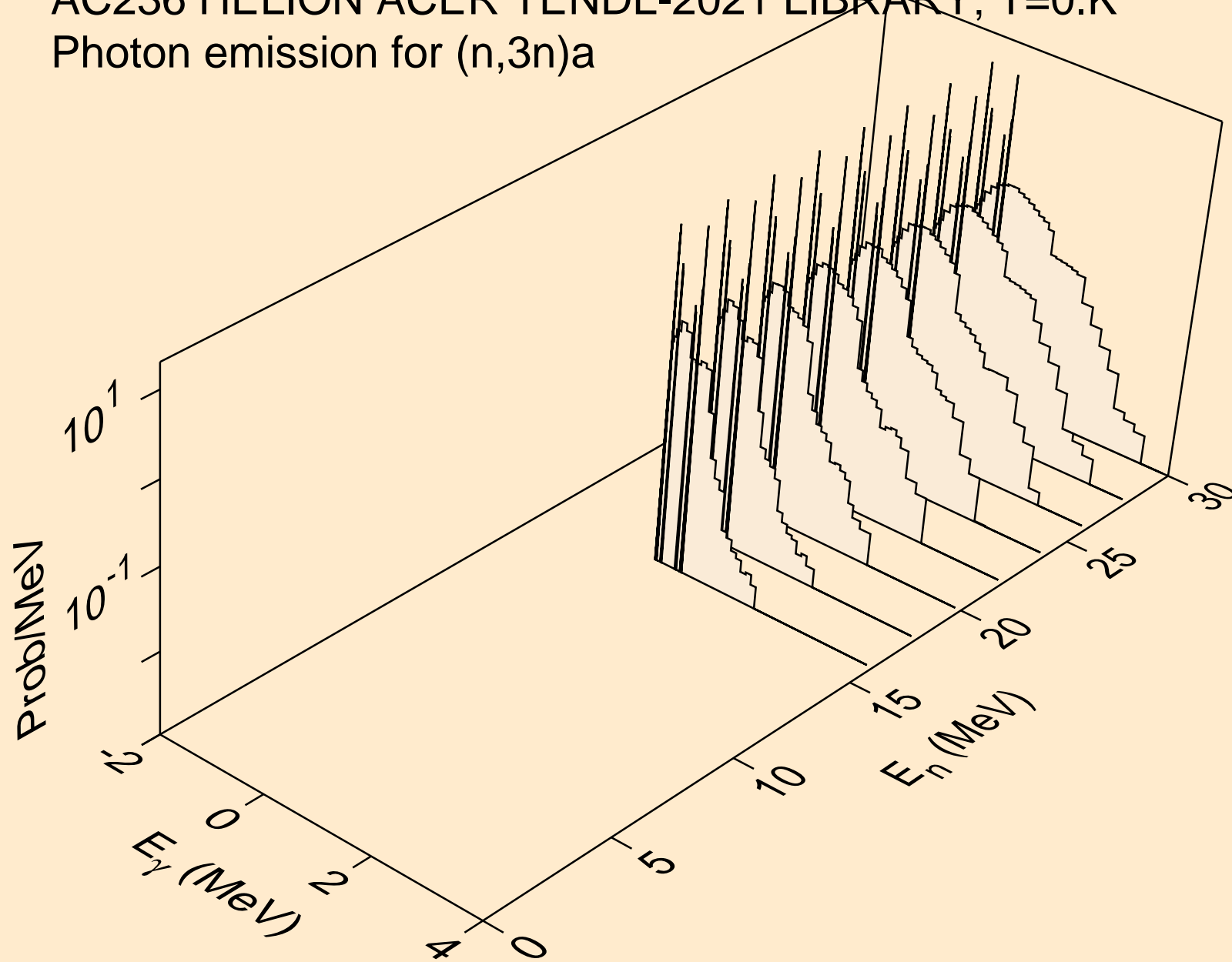
AC236 HELION ACER TENDL-2021 LIBRARY; T=0.K  
Photon emission for (n,n\*)a



AC236 HELION ACER TENDL-2021 LIBRARY; T=0.K  
Photon emission for (n,2n)a

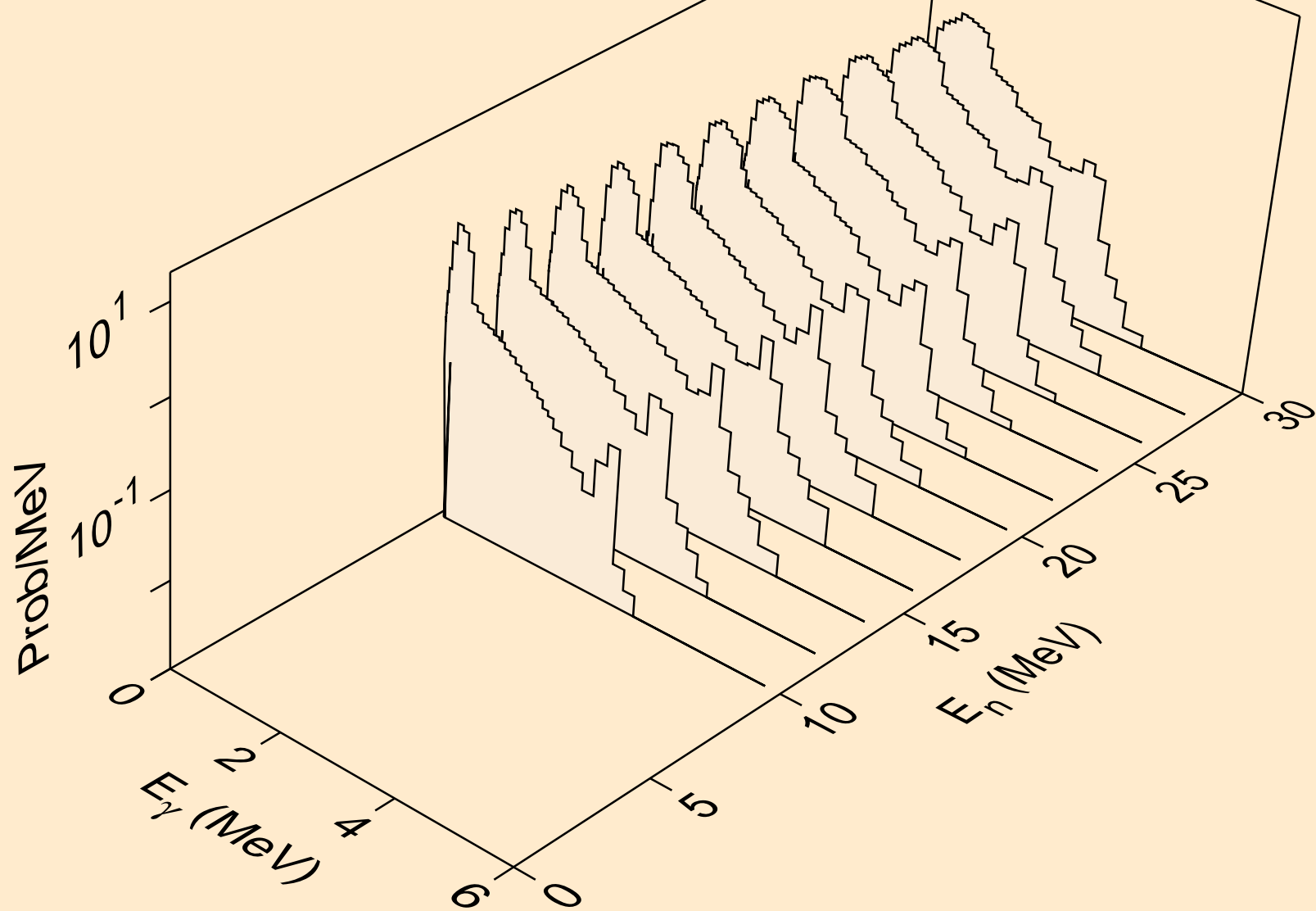


AC236 HELION ACER TENDL-2021 LIBRARY; T=0.K  
Photon emission for (n,3n)a

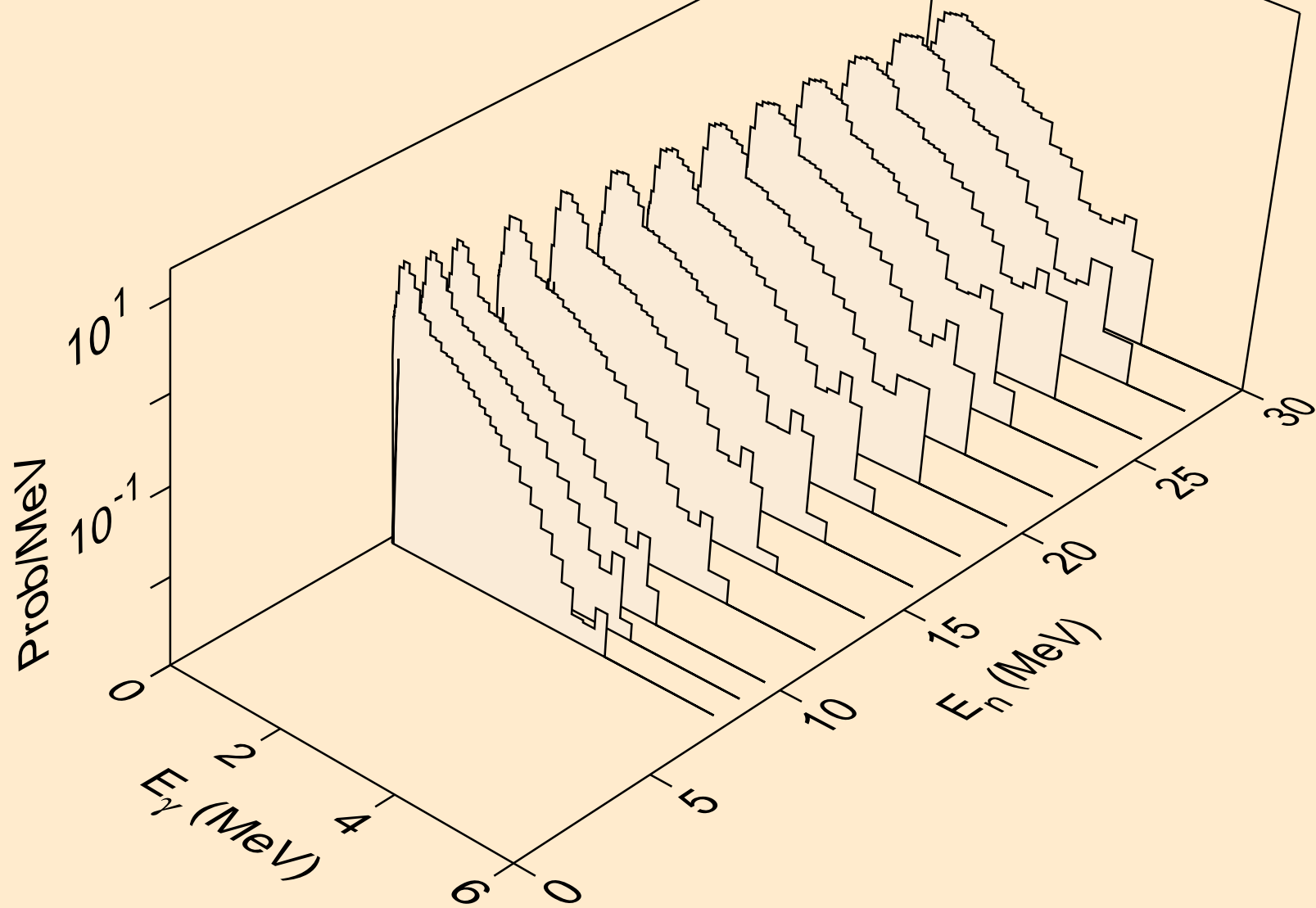




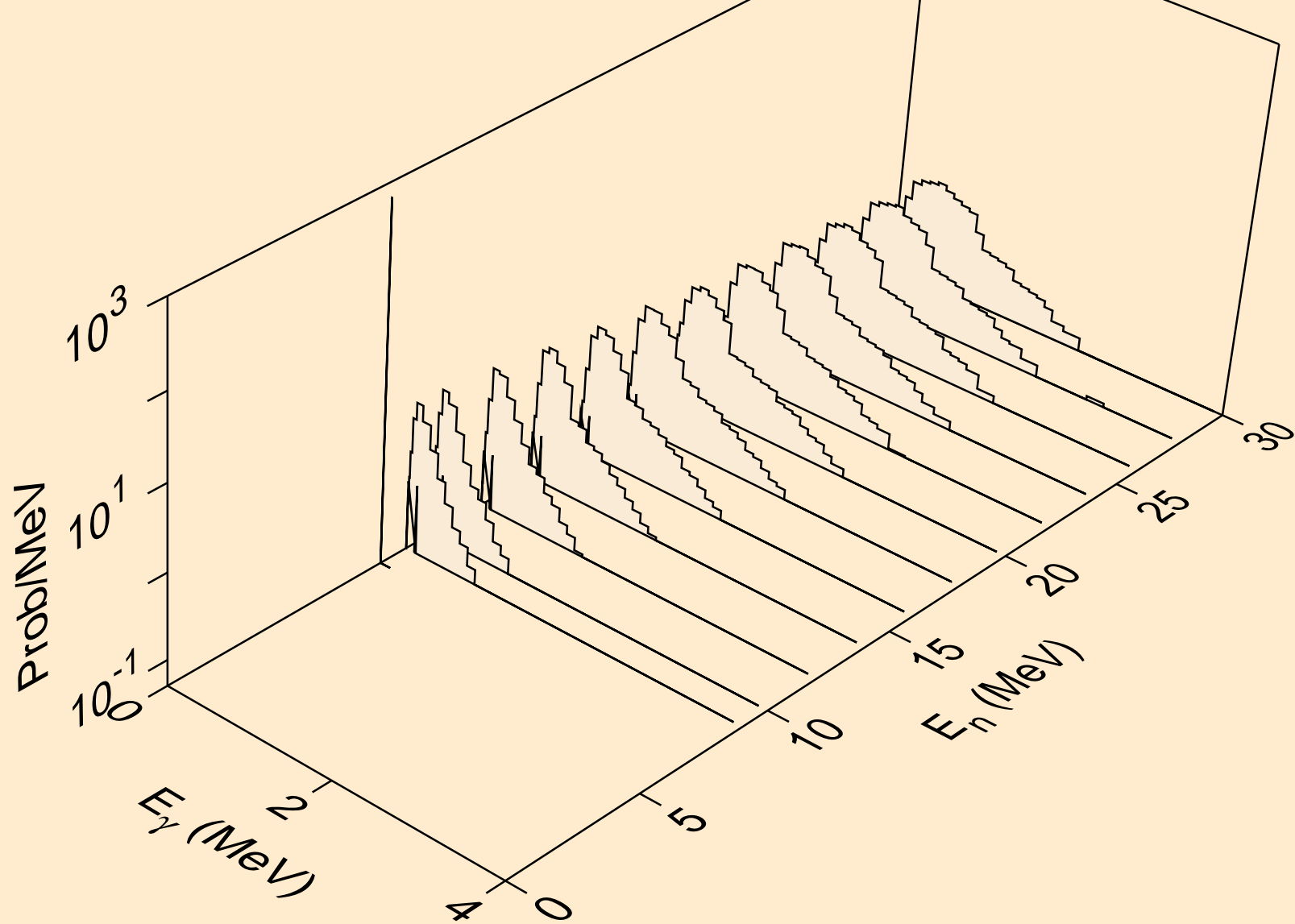
AC236 HELION ACER TENDL-2021 LIBRARY; T=0.K  
Photon emission for (n,n\*)p



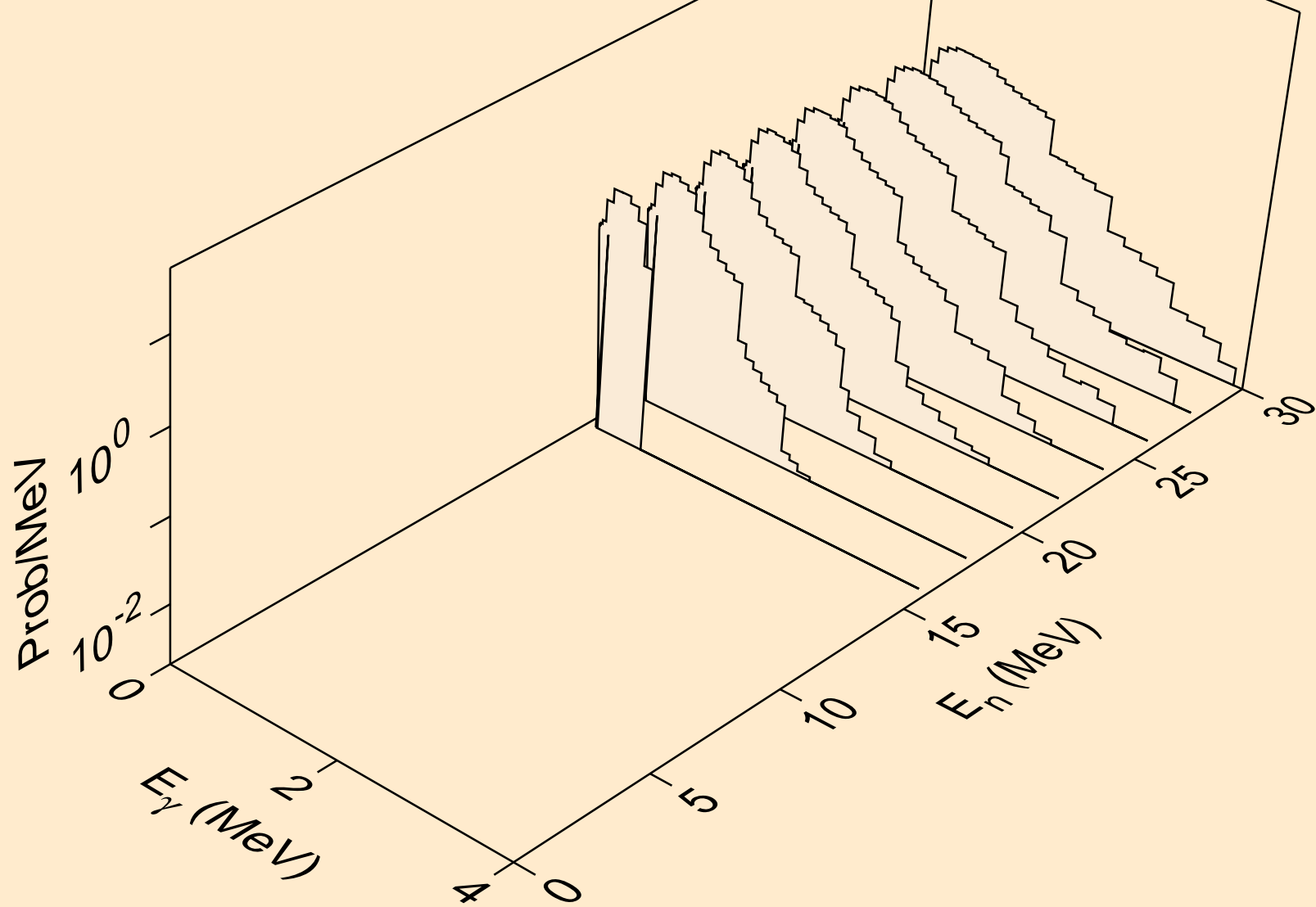
AC236 HELION ACER TENDL-2021 LIBRARY; T=0.K  
Photon emission for (n,n\*)d



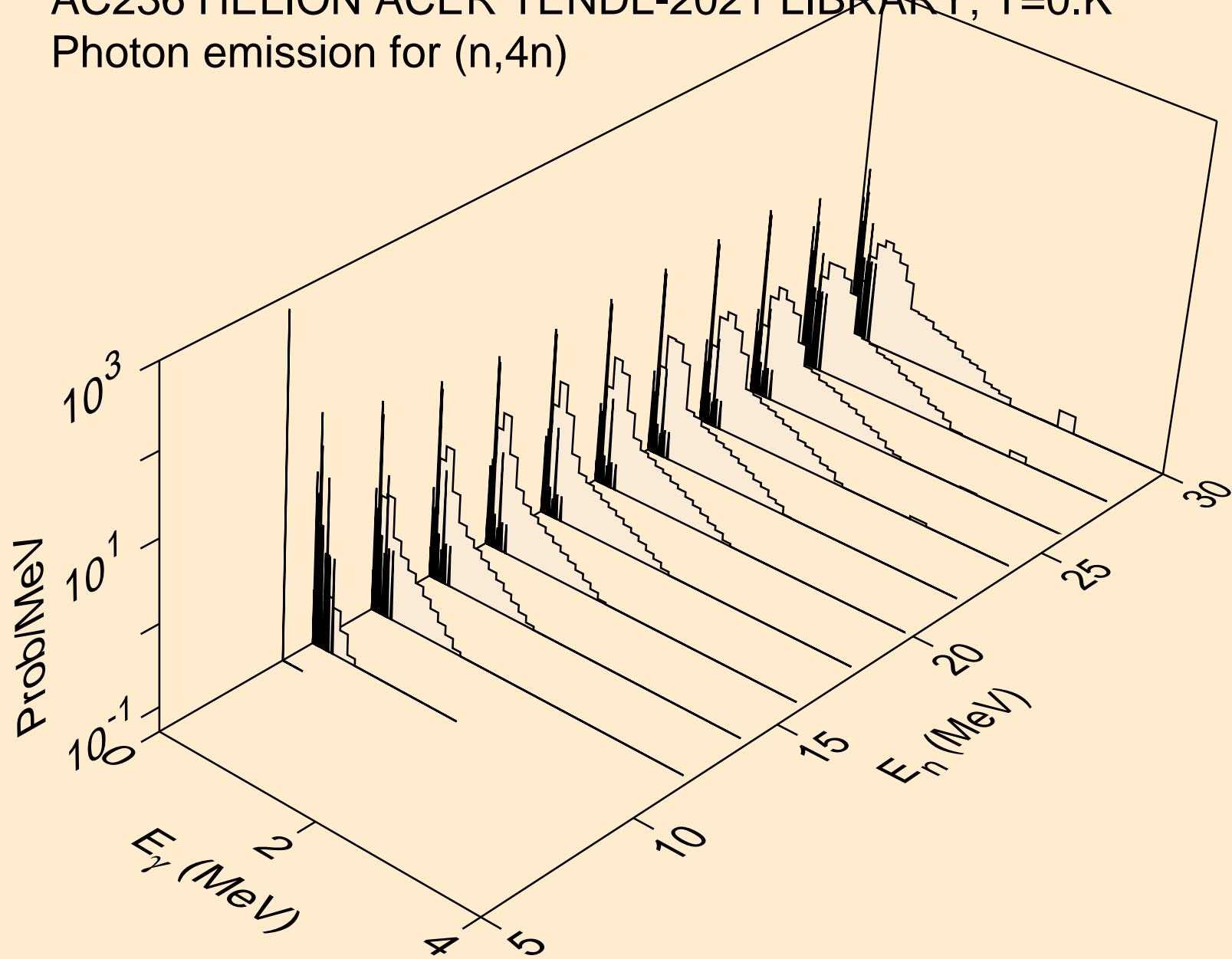
AC236 HELION ACER TENDL-2021 LIBRARY; T=0.K  
Photon emission for (n,n\*)t



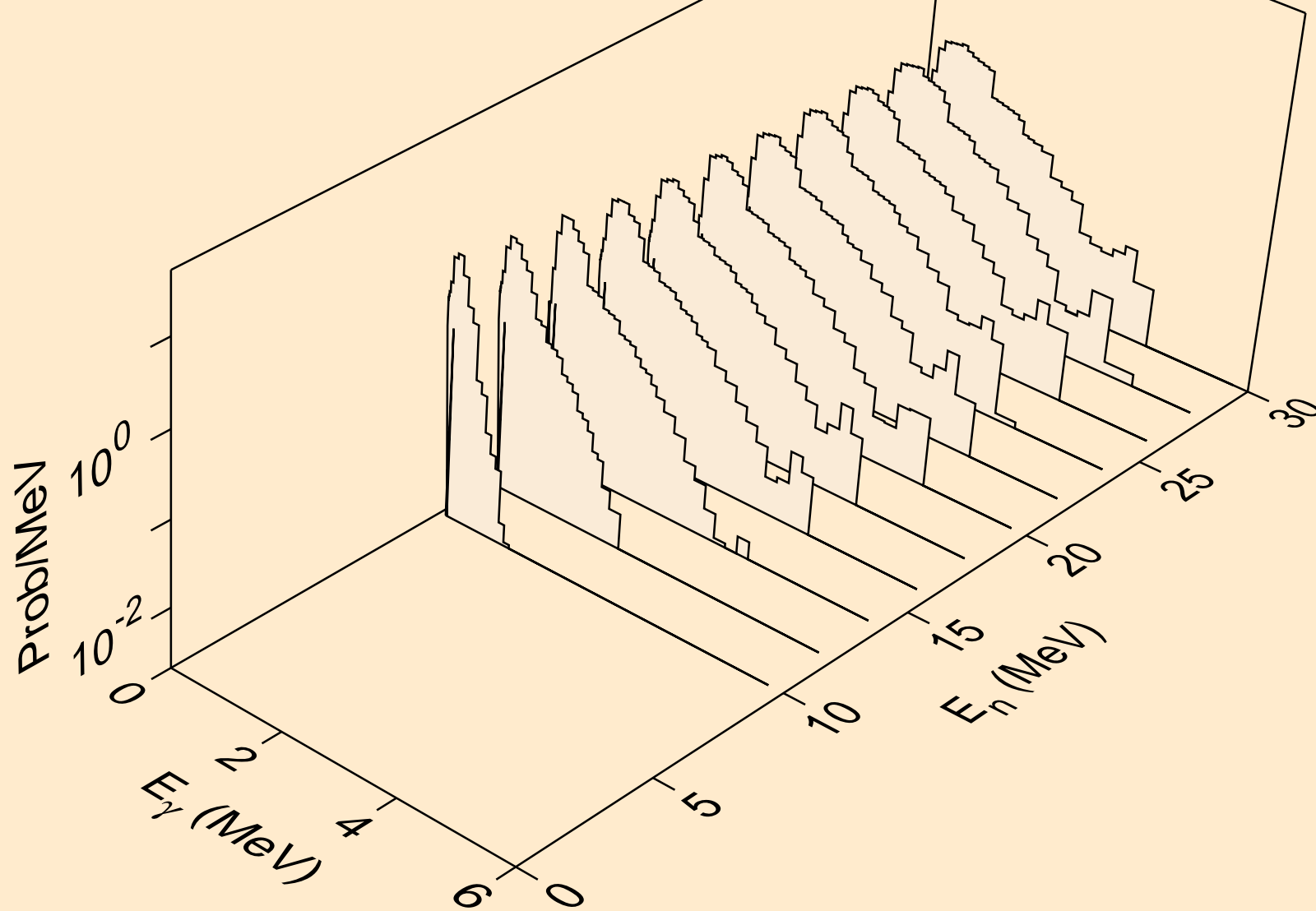
AC236 HELION ACER TENDL-2021 LIBRARY; T=0.K  
Photon emission for (n,n\*)he3



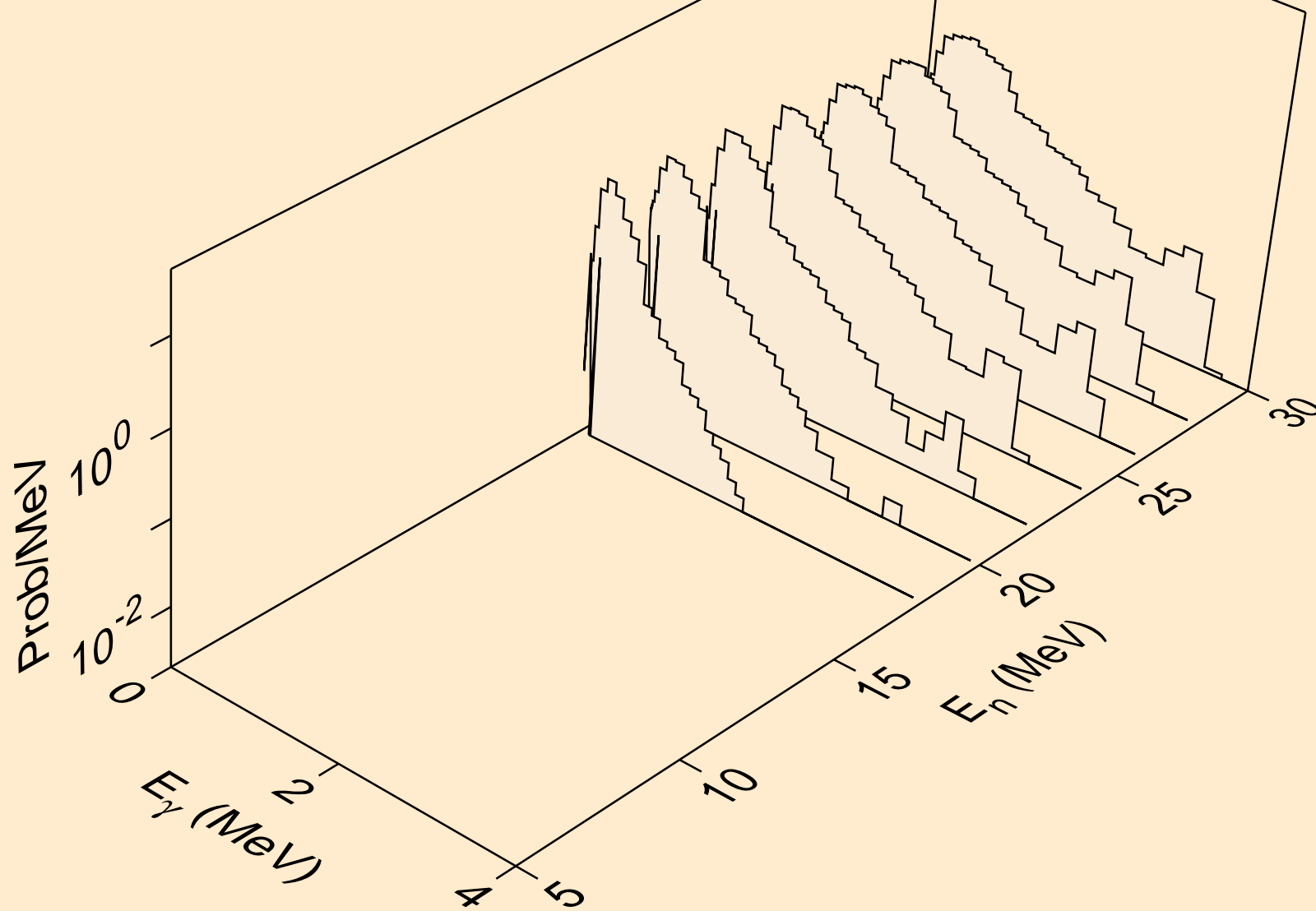
AC236 HELION ACER TENDL-2021 LIBRARY; T=0.K  
Photon emission for (n,4n)



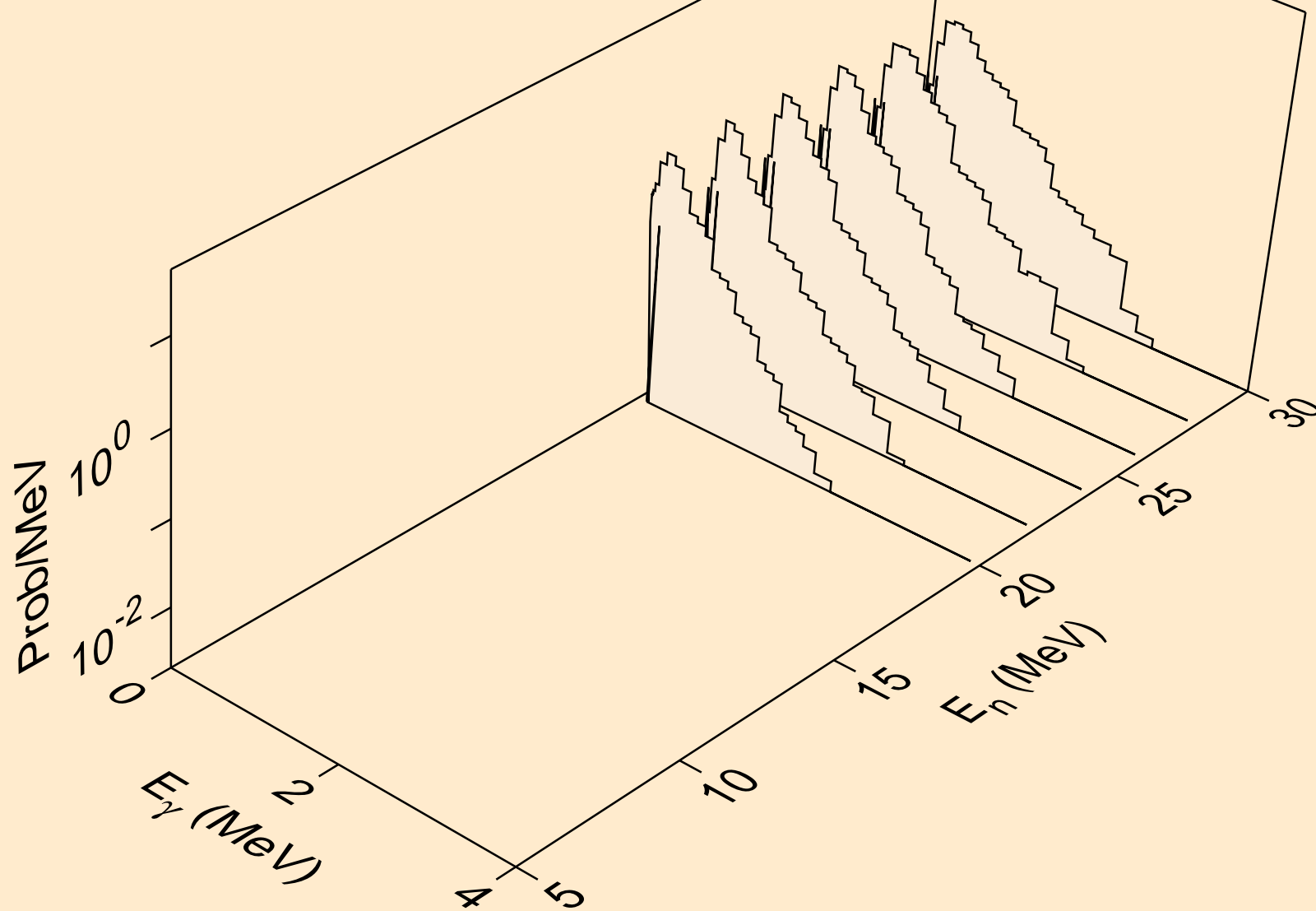
AC236 HELION ACER TENDL-2021 LIBRARY; T=0.K  
Photon emission for (n,2np)



AC236 HELION ACER TENDL-2021 LIBRARY; T=0.K  
Photon emission for (n,3np)

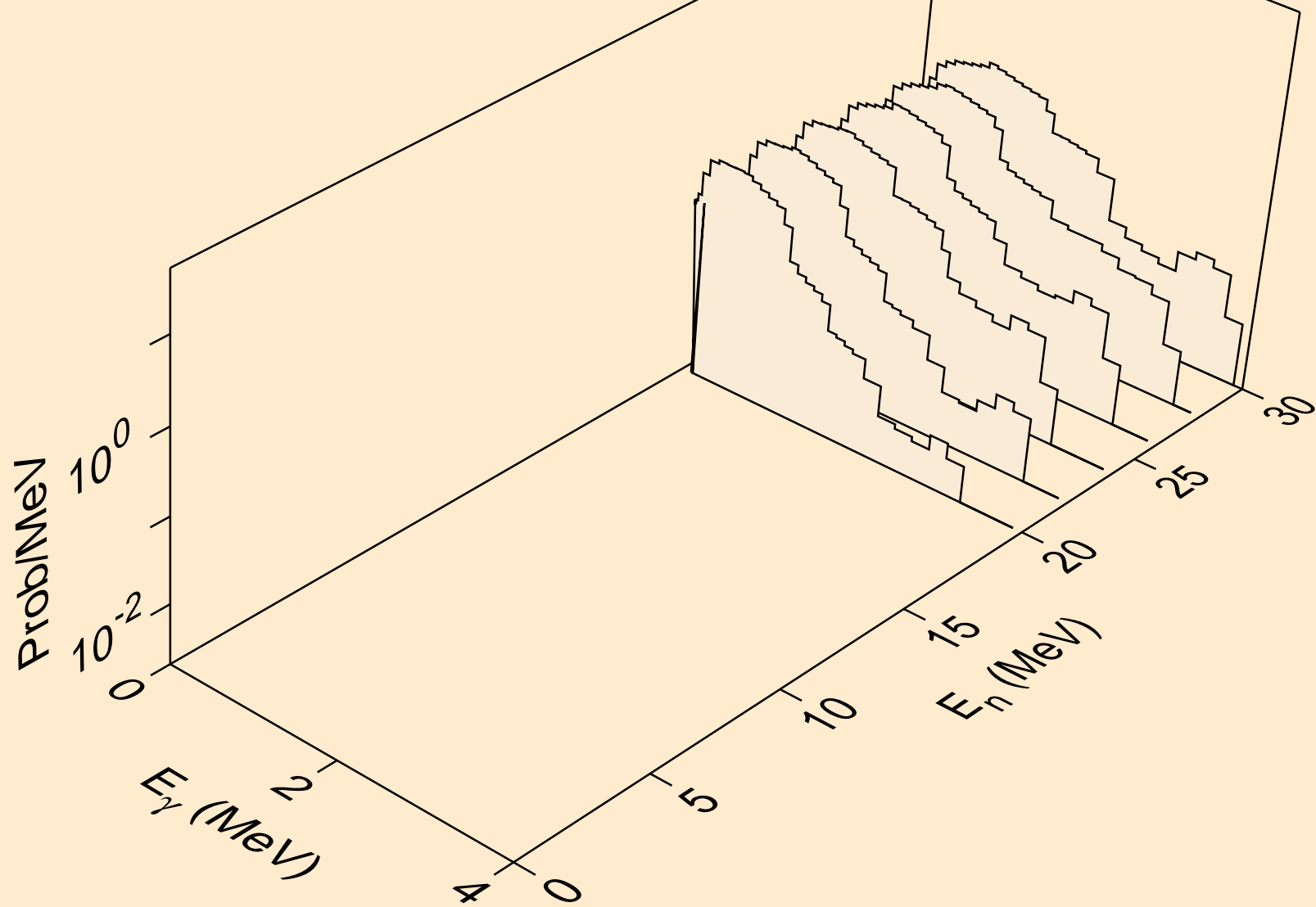


AC236 HELION ACER TENDL-2021 LIBRARY; T=0.K  
Photon emission for (n,2np)

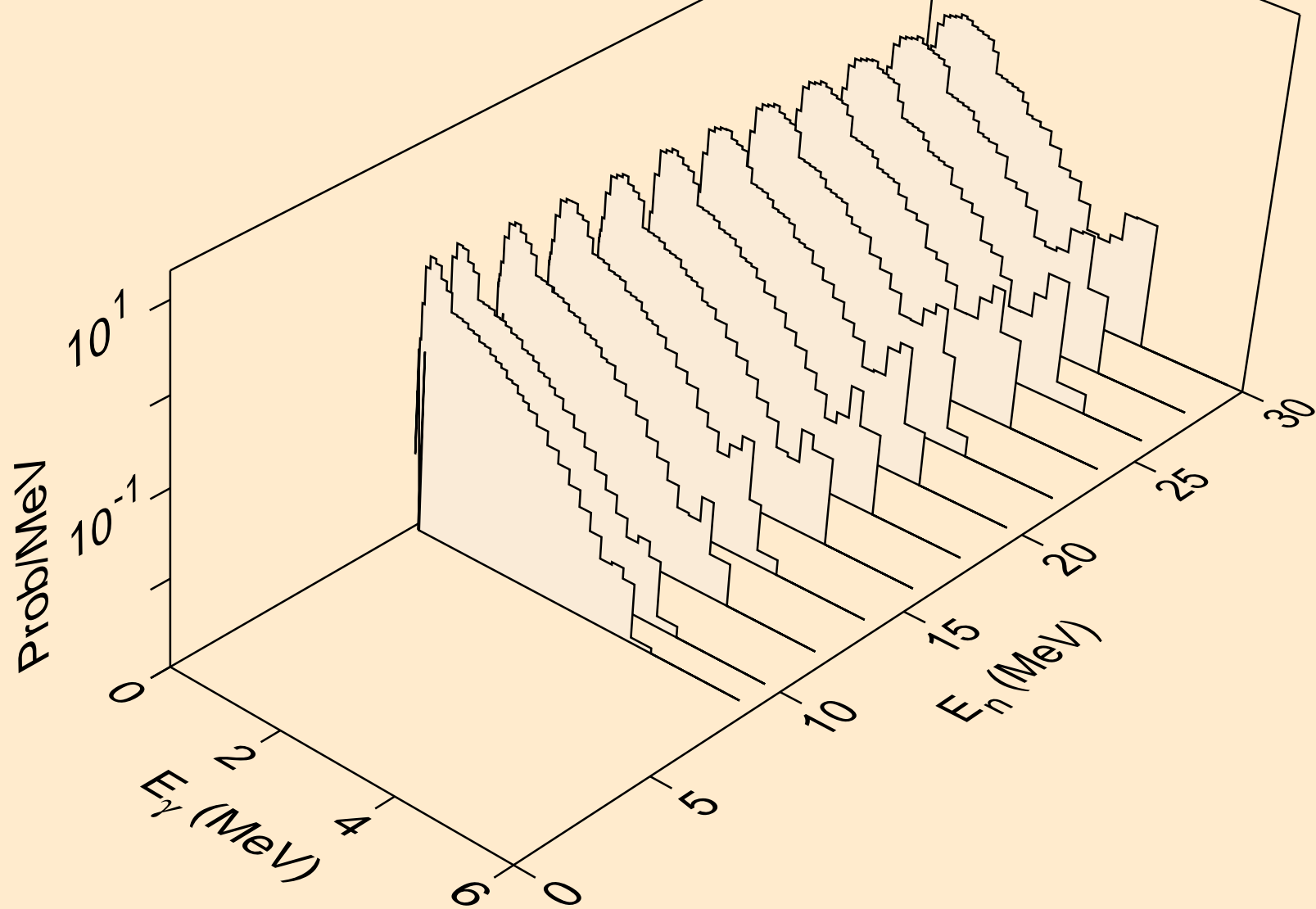




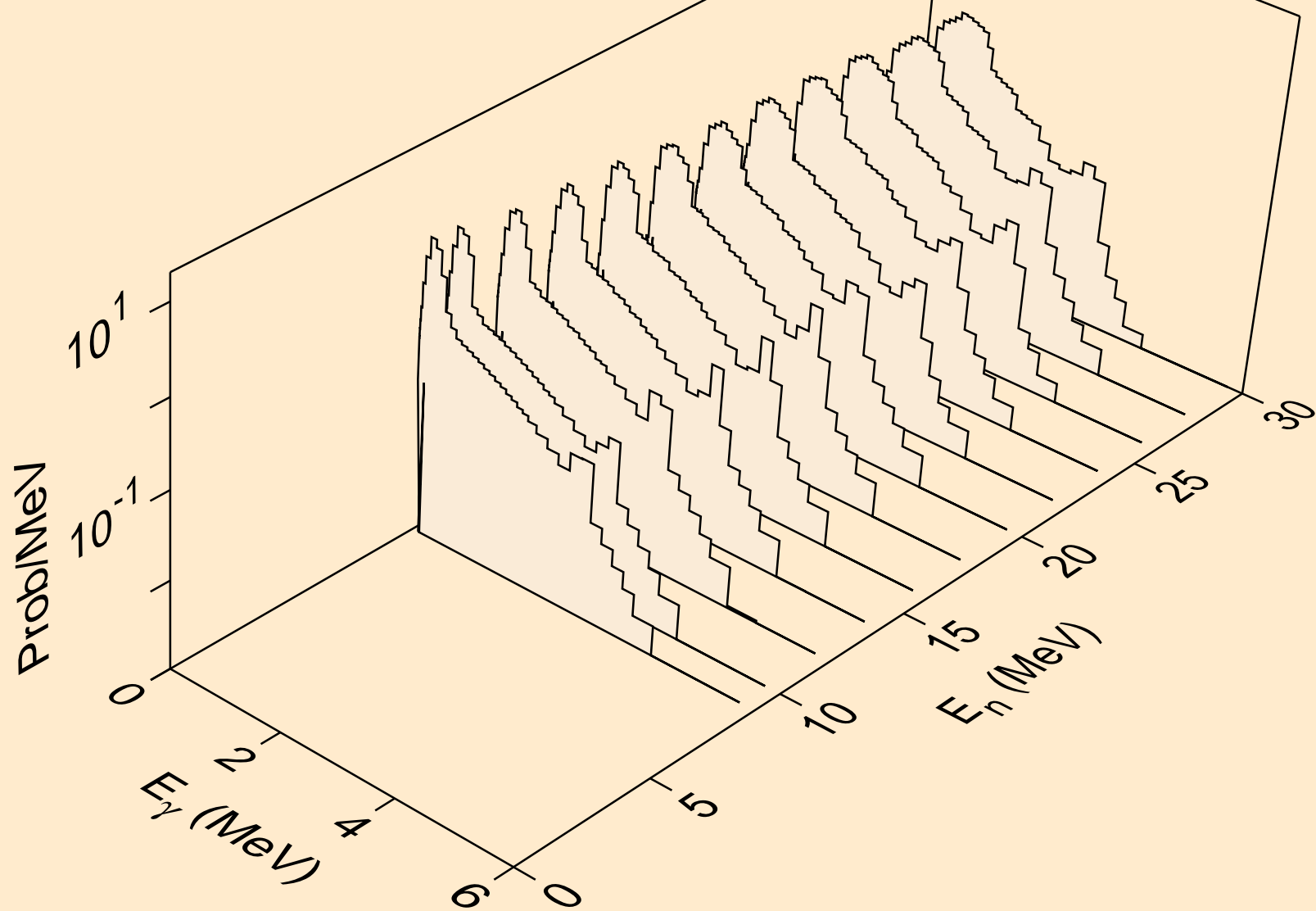
AC236 HELION ACER TENDL-2021 LIBRARY; T=0.K  
Photon emission for (n,npa)



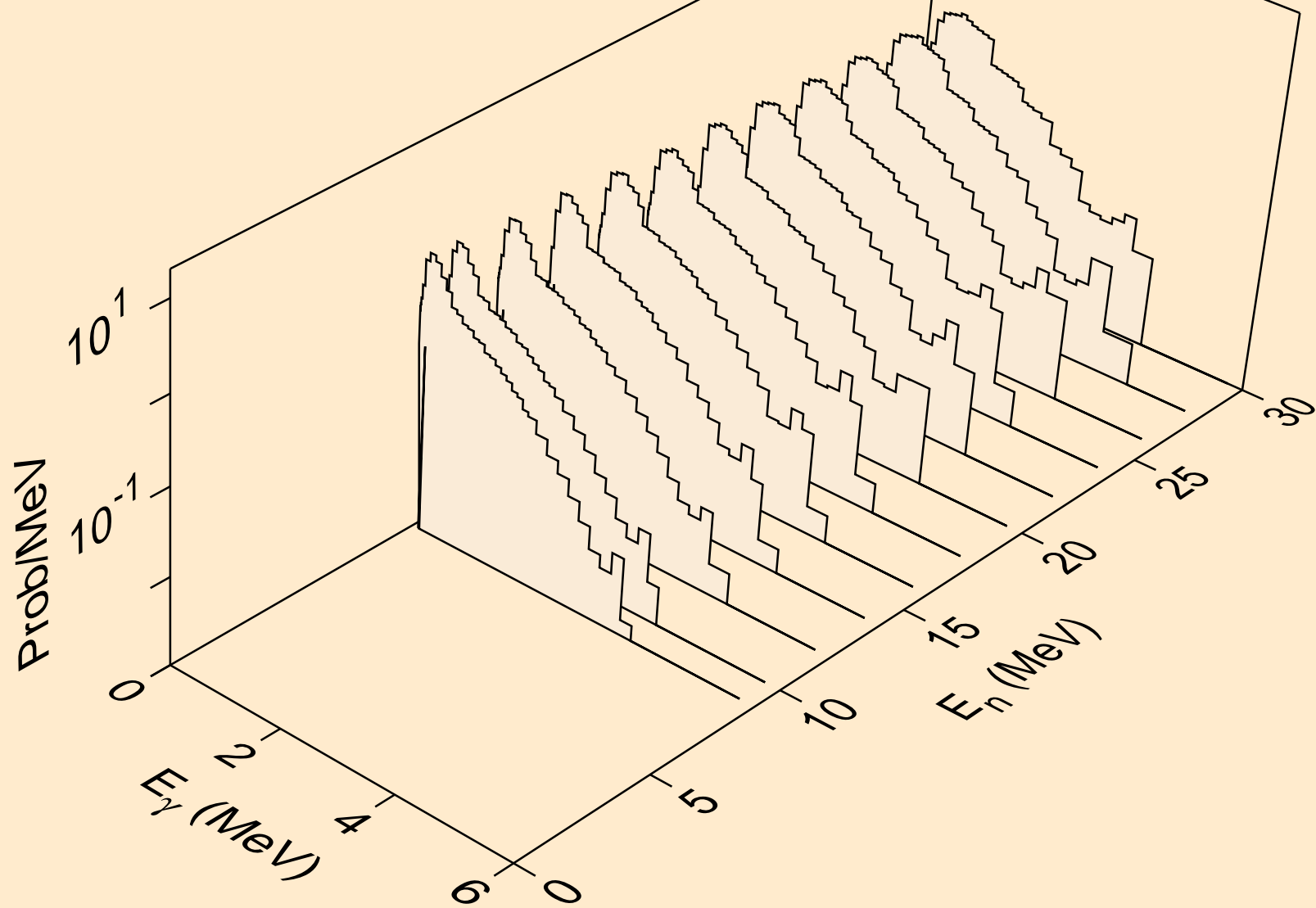
AC236 HELION ACER TENDL-2021 LIBRARY; T=0.K  
Photon emission for (n,p)



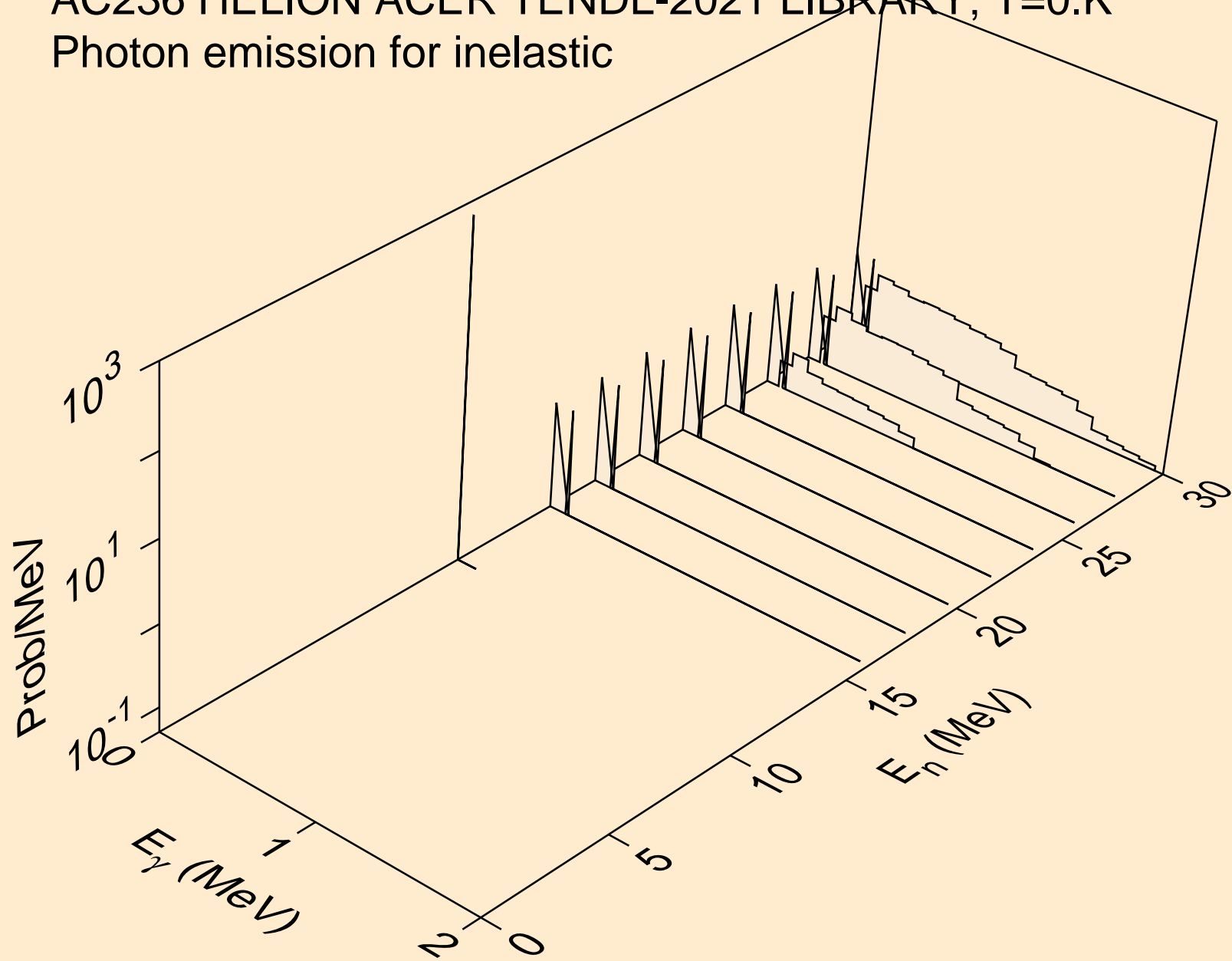
AC236 HELION ACER TENDL-2021 LIBRARY; T=0.K  
Photon emission for (n,d)



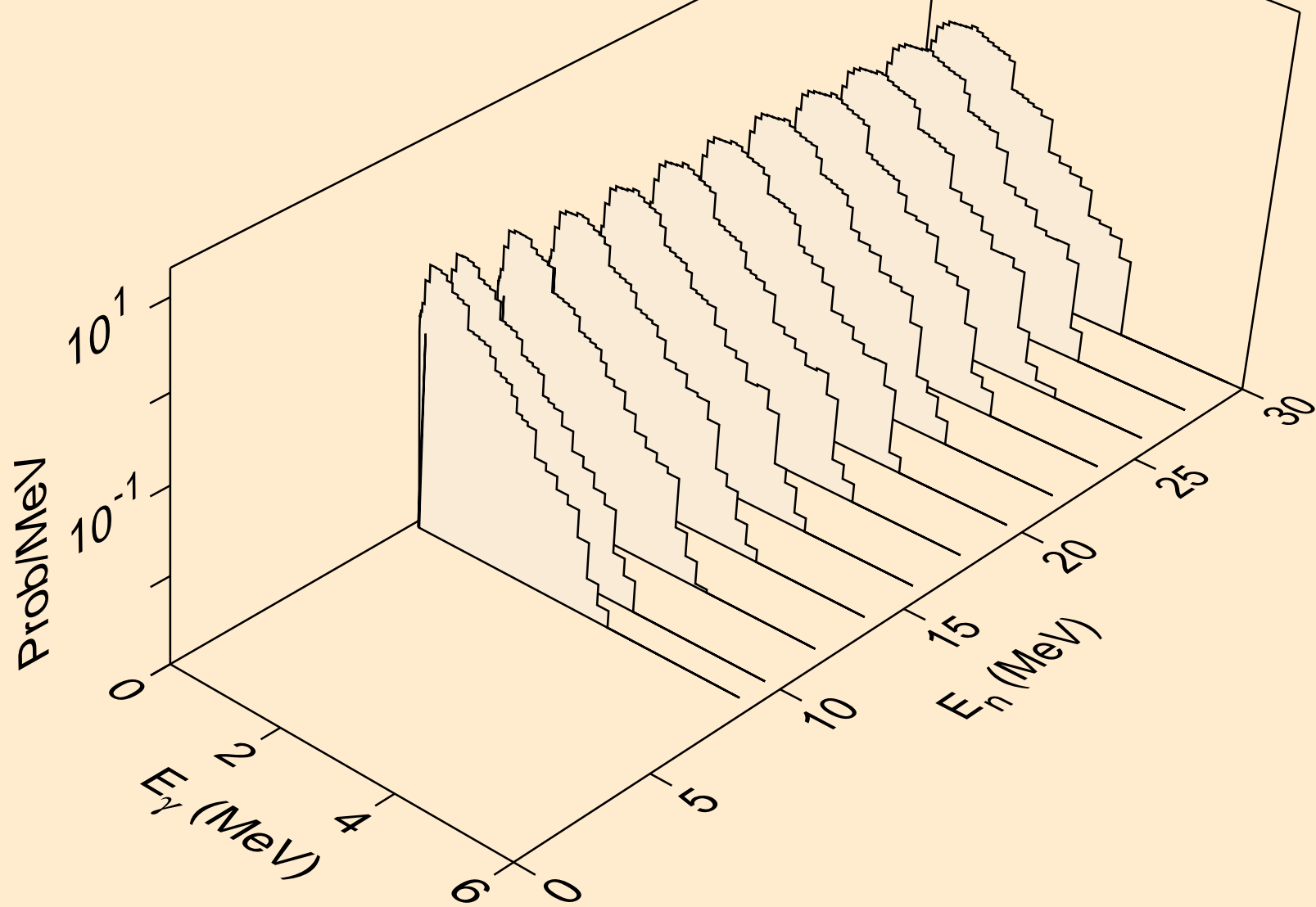
AC236 HELION ACER TENDL-2021 LIBRARY; T=0.K  
Photon emission for (n,t)



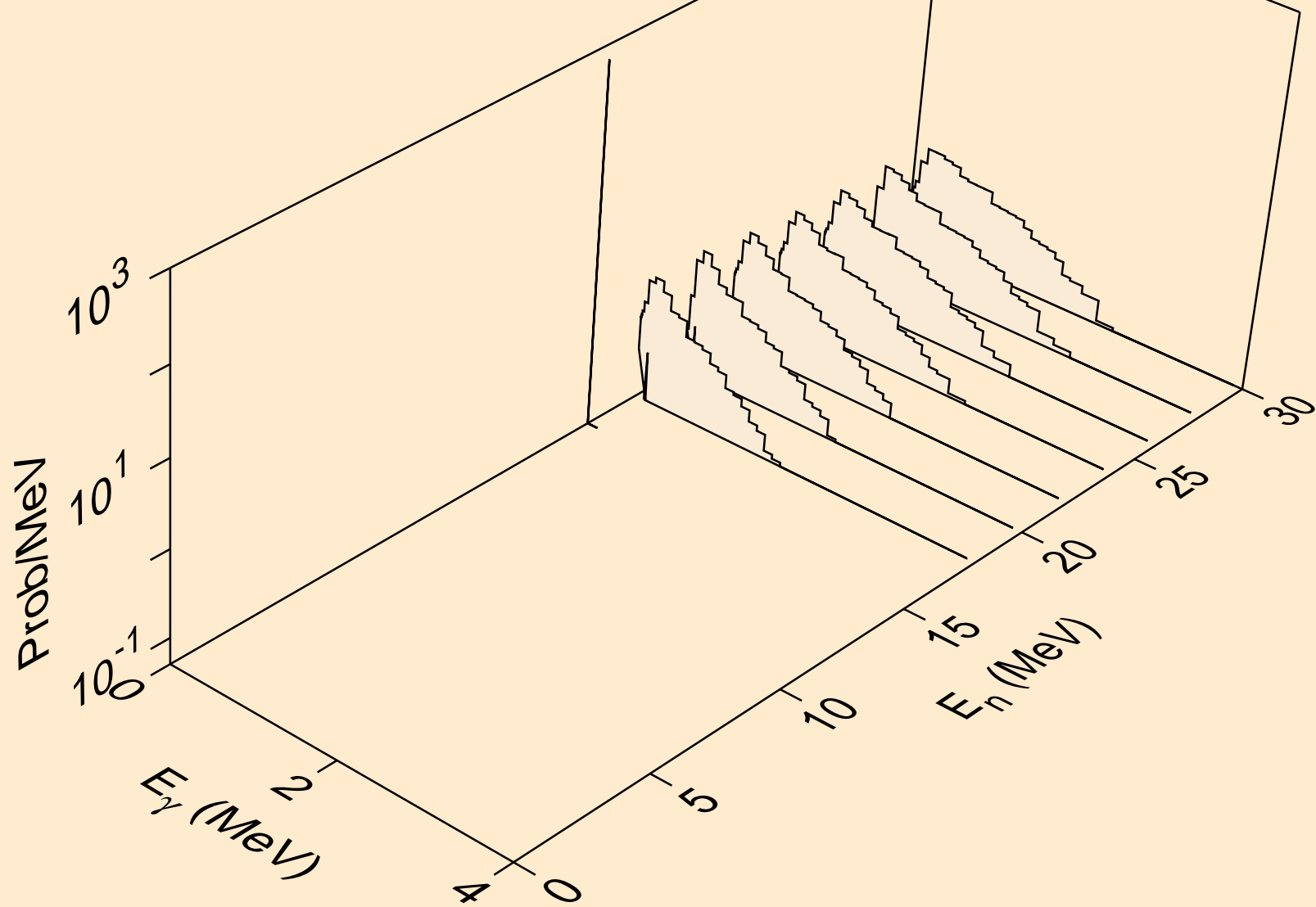
AC236 HELION ACER TENDL-2021 LIBRARY; T=0.K  
Photon emission for inelastic



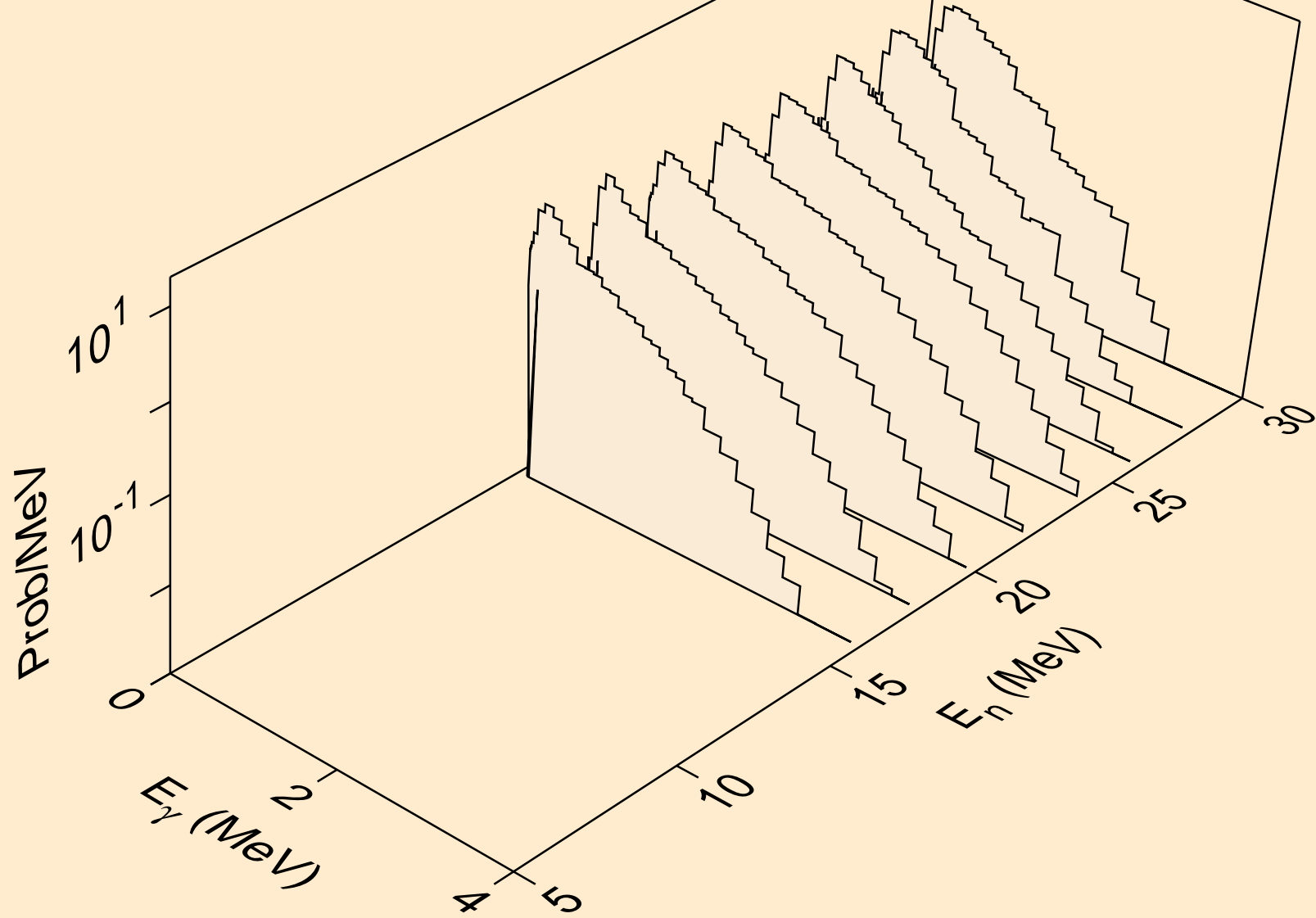
AC236 HELION ACER TENDL-2021 LIBRARY; T=0.K  
Photon emission for (n,a)



AC236 HELION ACER TENDL-2021 LIBRARY; T=0.K  
Photon emission for (n,2p)

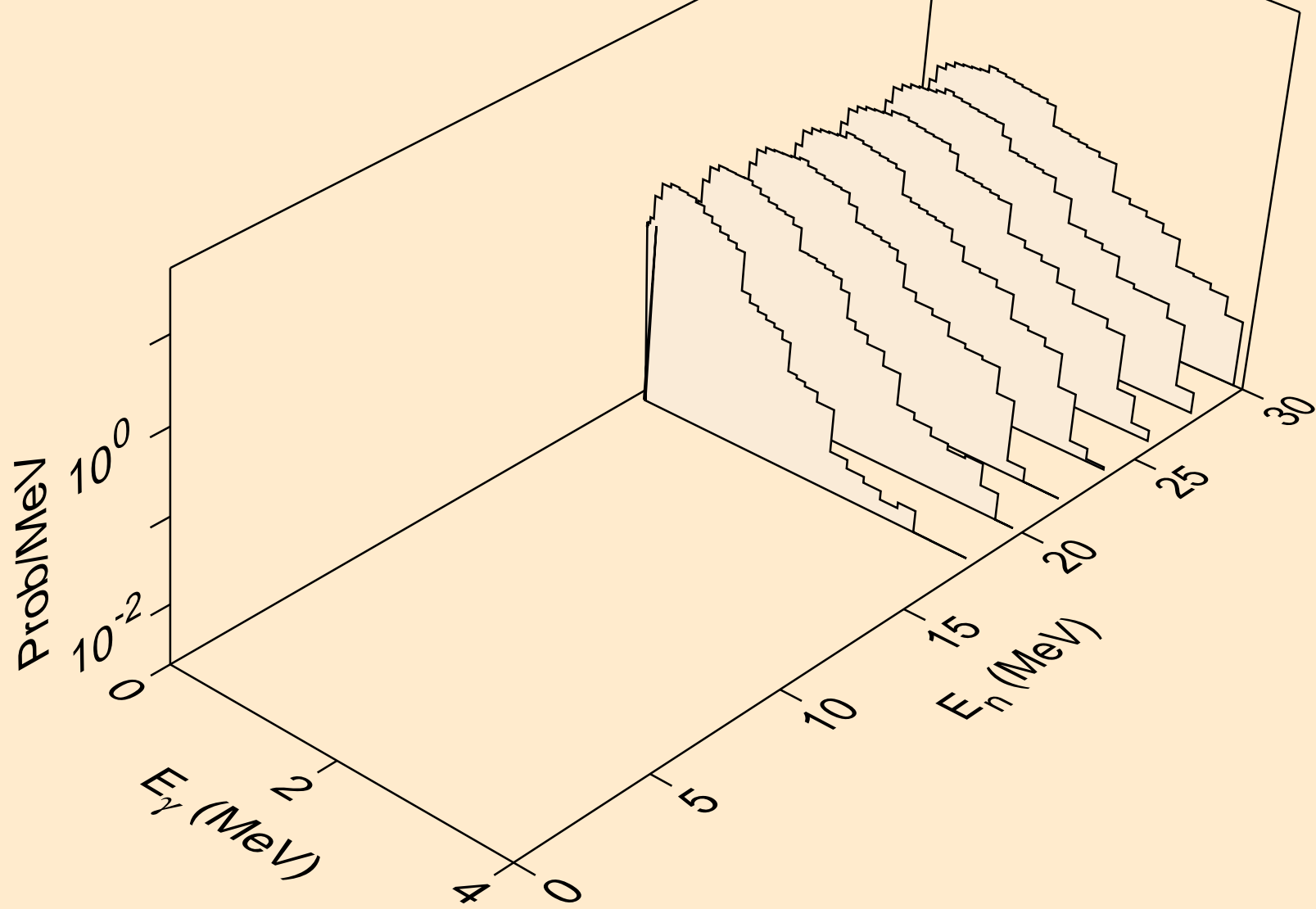


AC236 HELION ACER TENDL-2021 LIBRARY; T=0.K  
Photon emission for (n,pd)

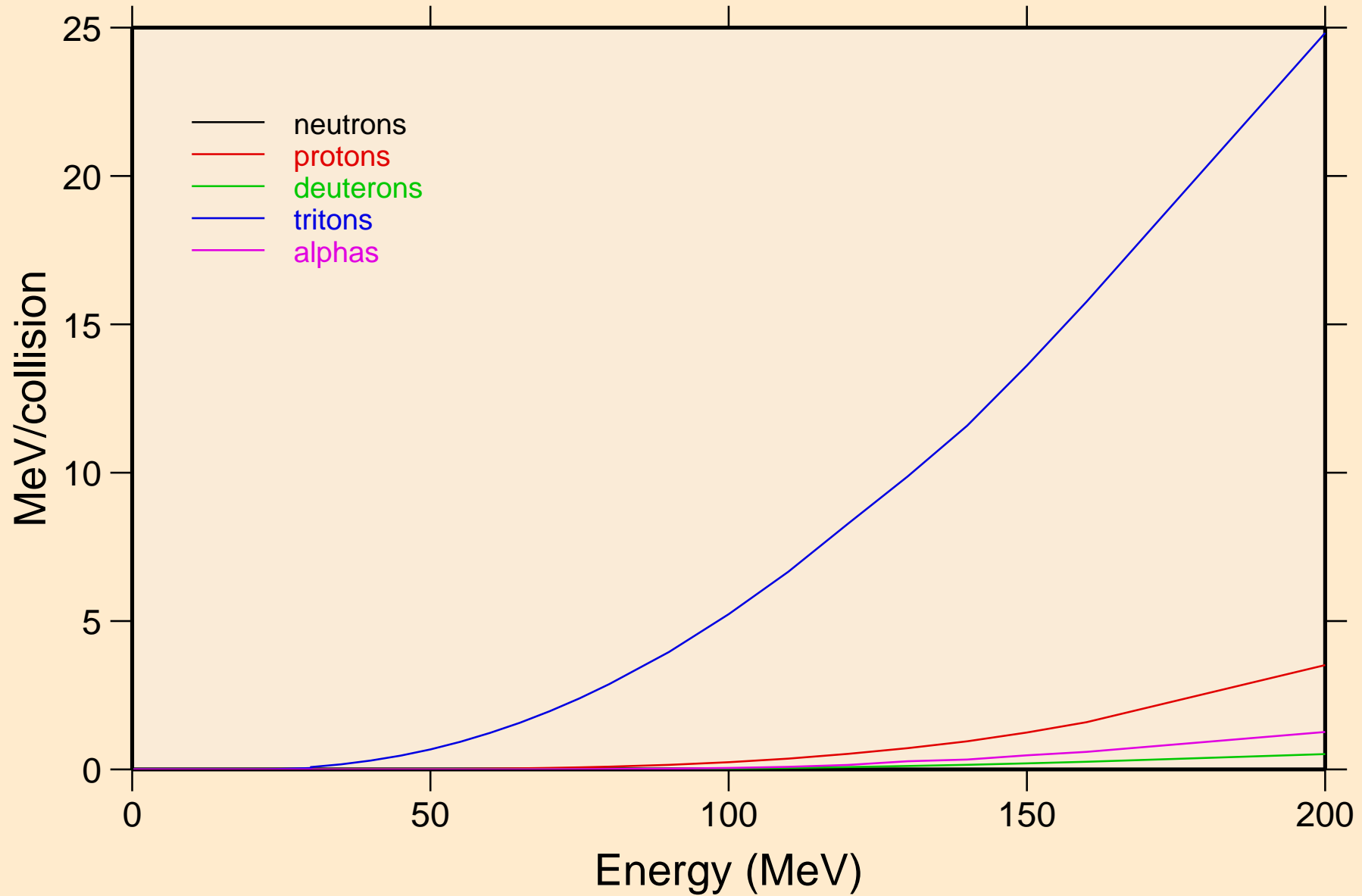




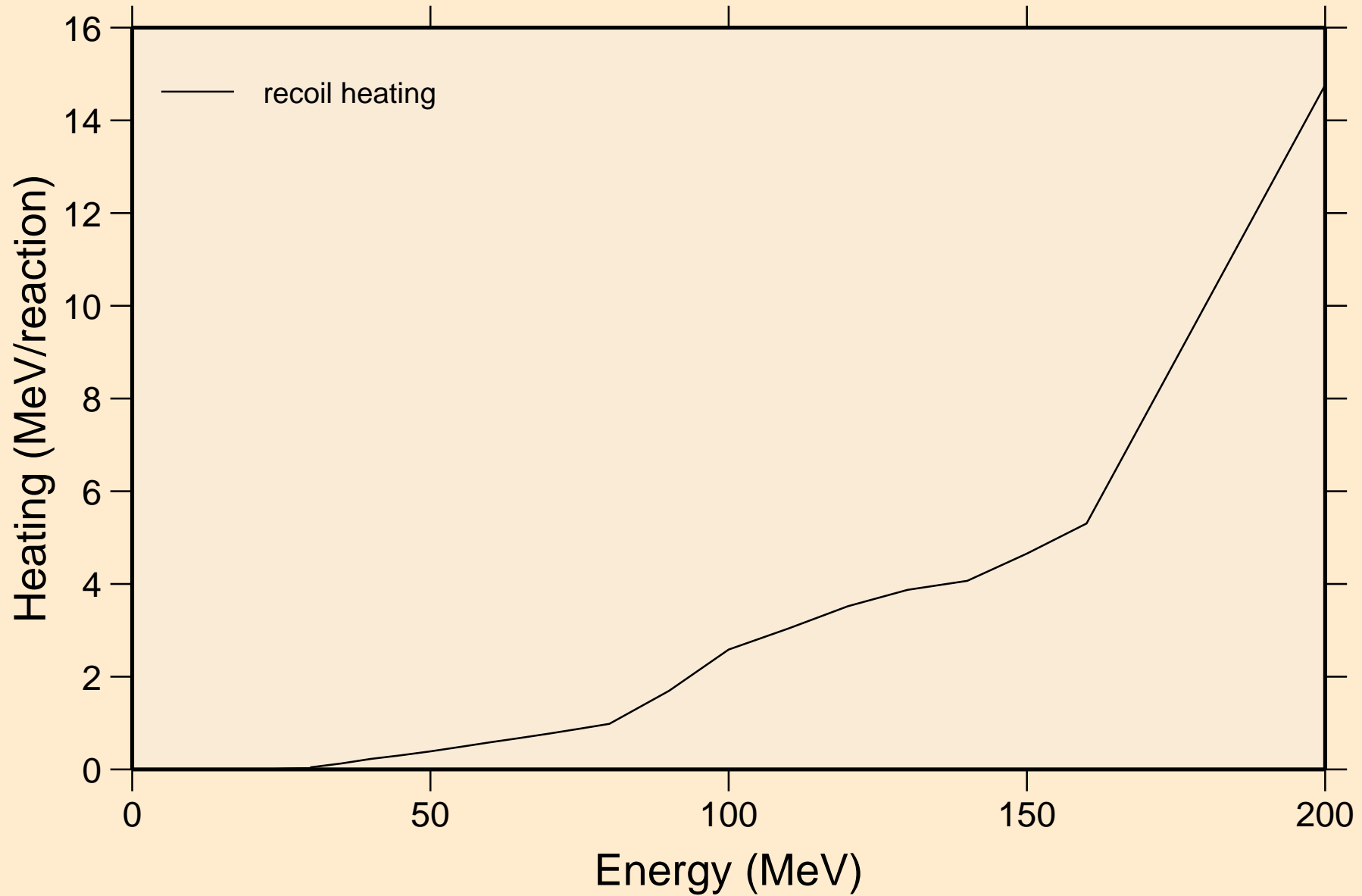
AC236 HELION ACER TENDL-2021 LIBRARY; T=0.K  
Photon emission for (n,pt)



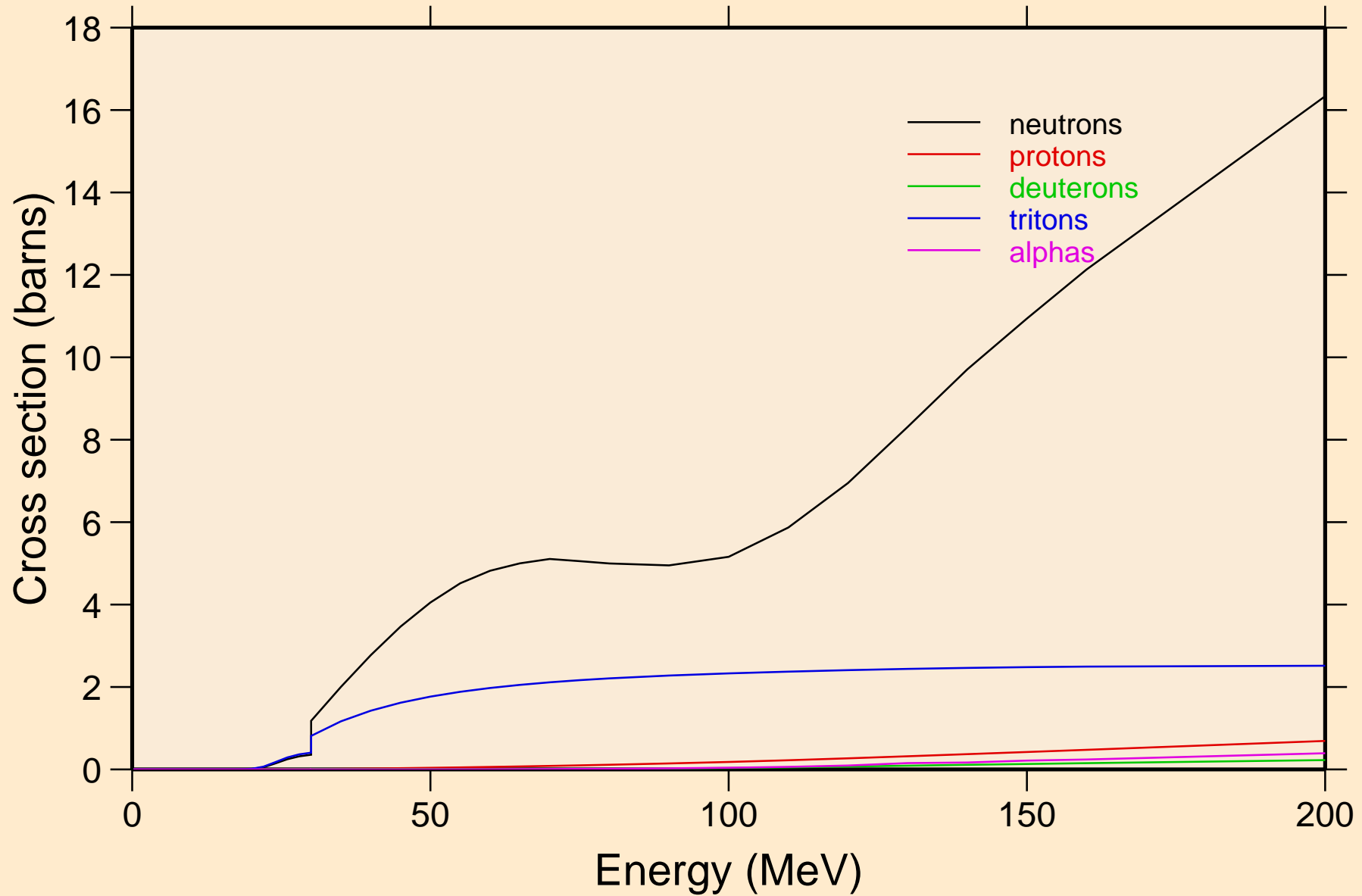
AC236 HELION ACER TENDL-2021 LIBRARY; T=0.K  
Particle heating contributions



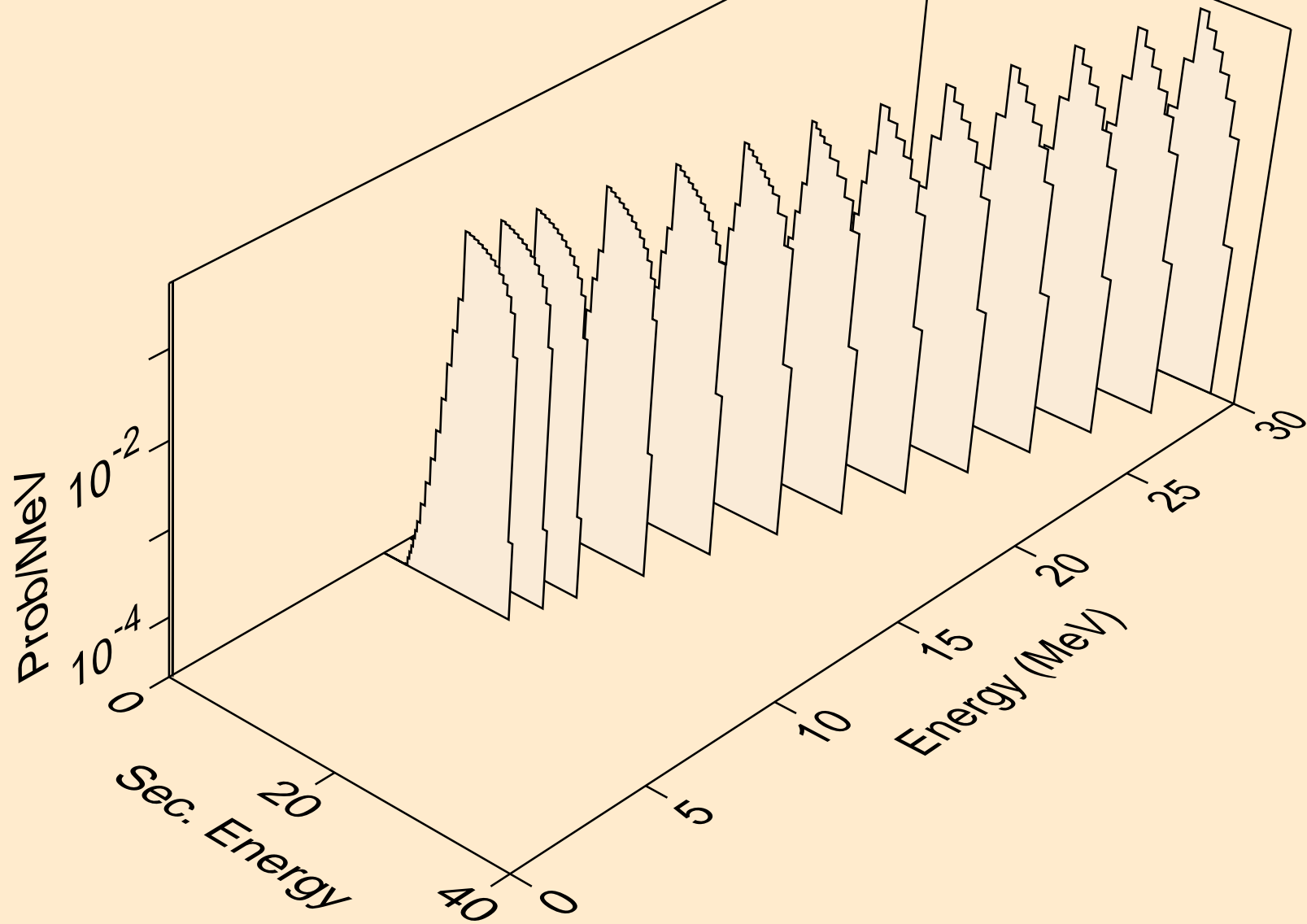
AC236 HELION ACER TENDL-2021 LIBRARY; T=0.K  
Recoil Heating



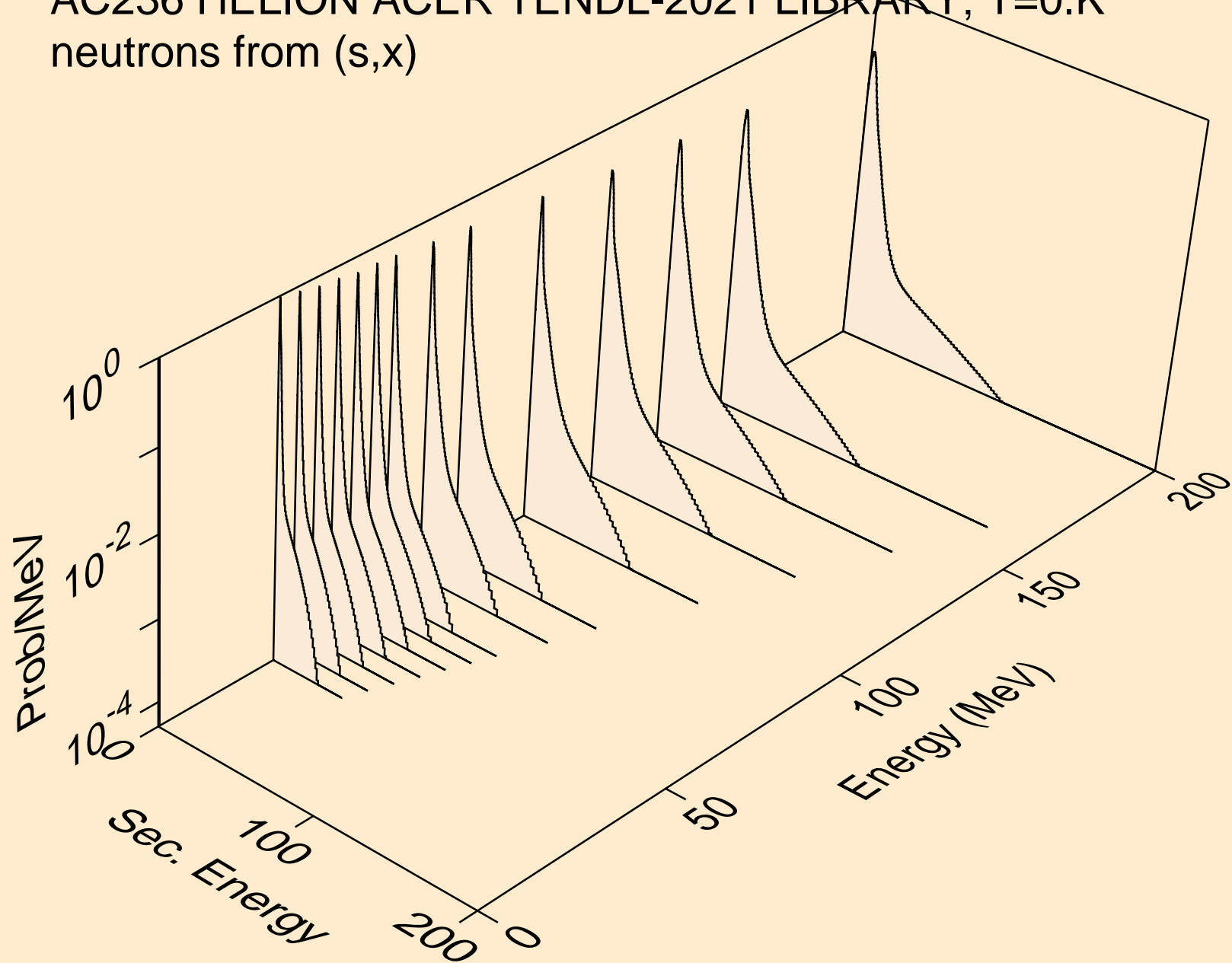
AC236 HELION ACER TENDL-2021 LIBRARY; T=0.K  
Particle production cross sections



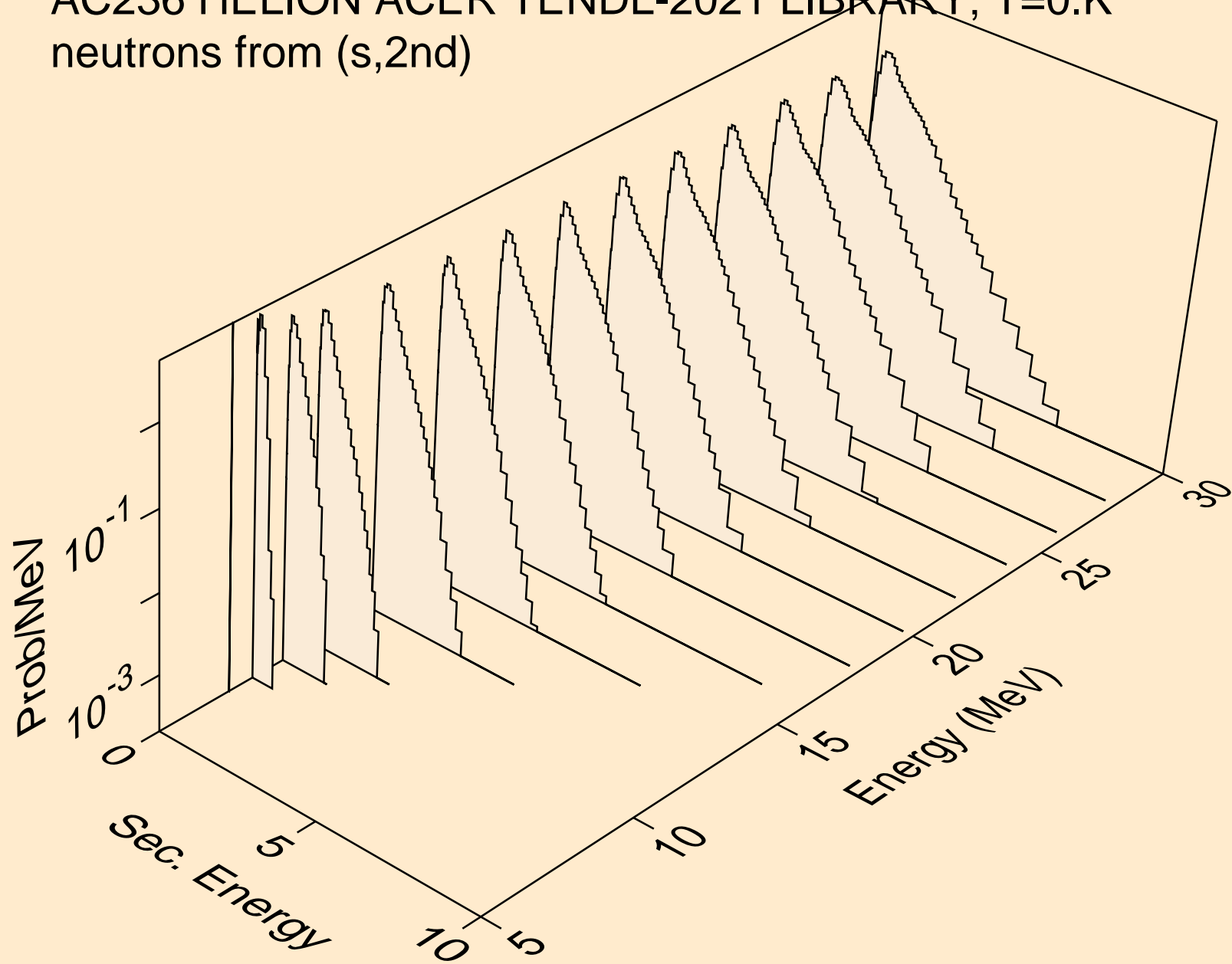
AC236 HELION ACER TENDL-2021 LIBRARY; T=0.K  
neutrons from (s,n)



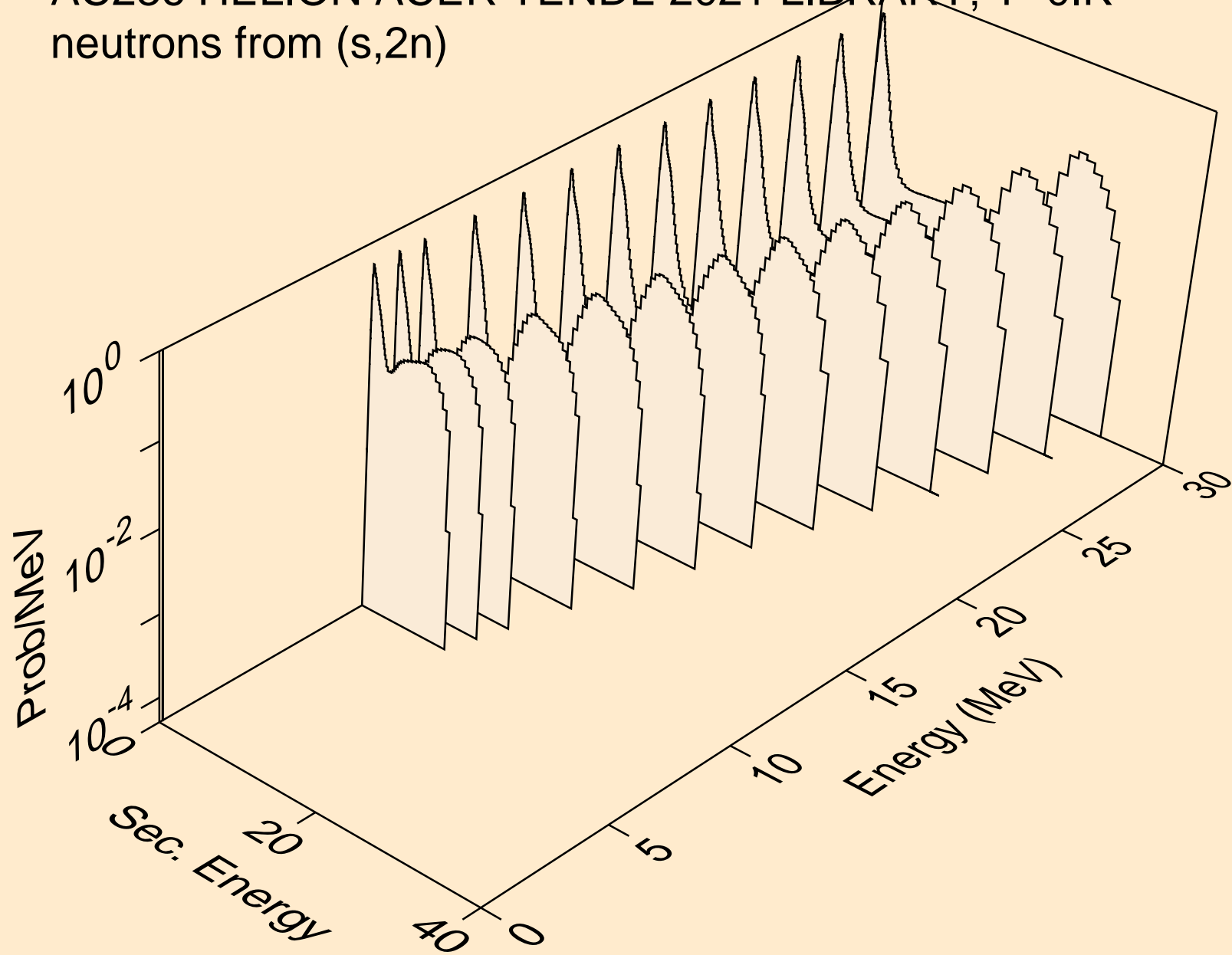
AC236 HELION ACER TENDL-2021 LIBRARY; T=0.K  
neutrons from (s,x)



AC236 HELION ACER TENDL-2021 LIBRARY; T=0.K  
neutrons from (s,2nd)

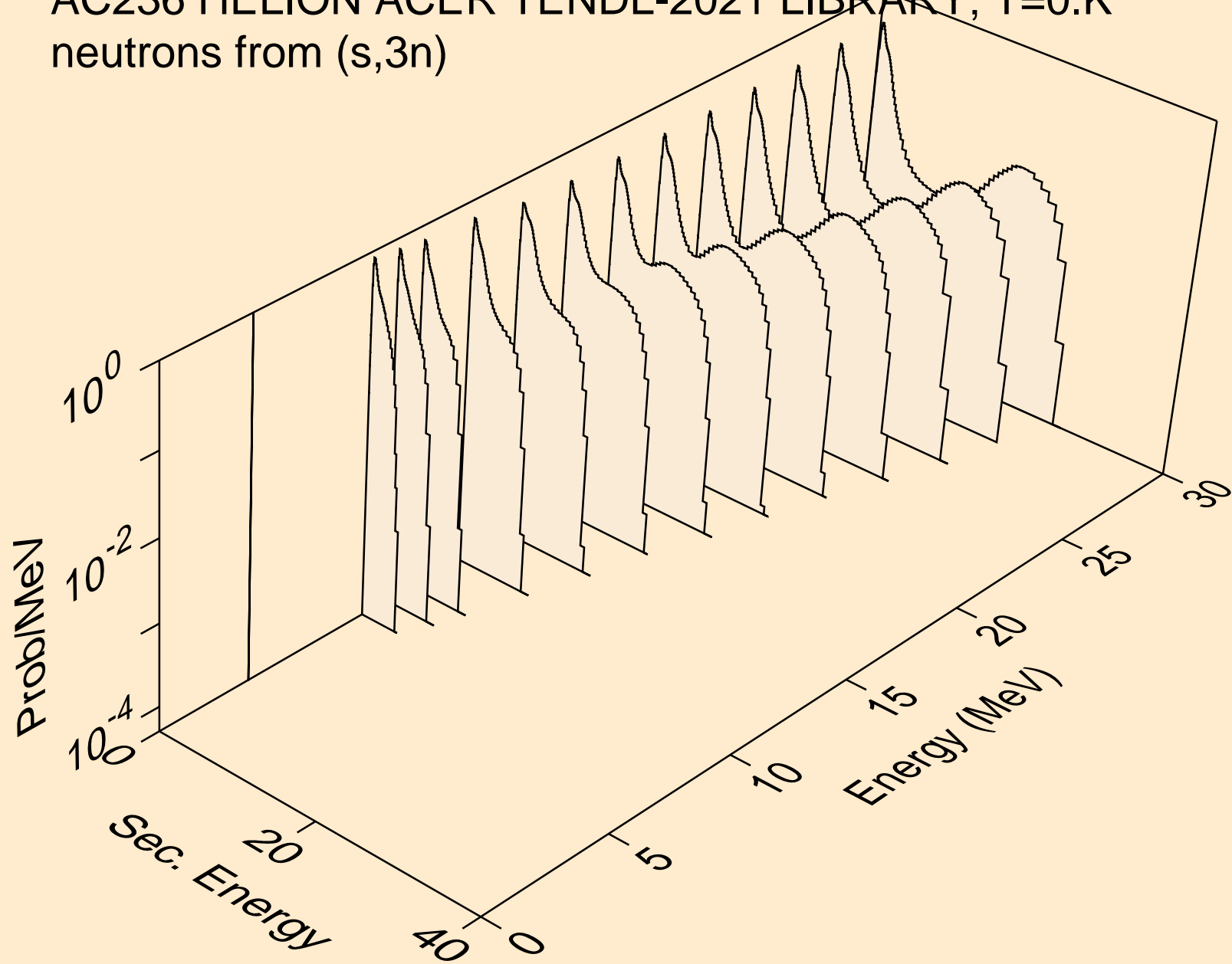


AC236 HELION ACER TENDL-2021 LIBRARY; T=0.K  
neutrons from (s,2n)

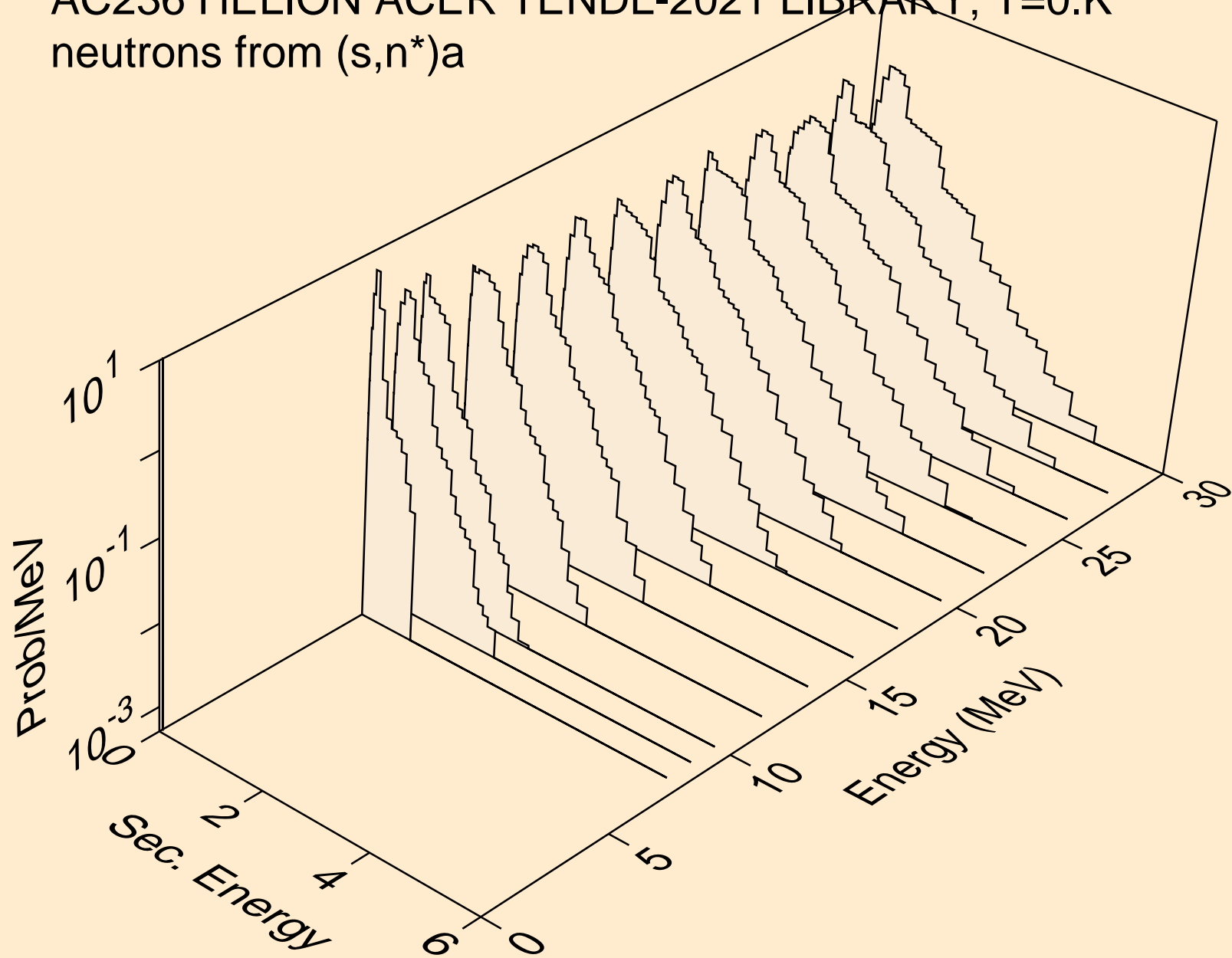




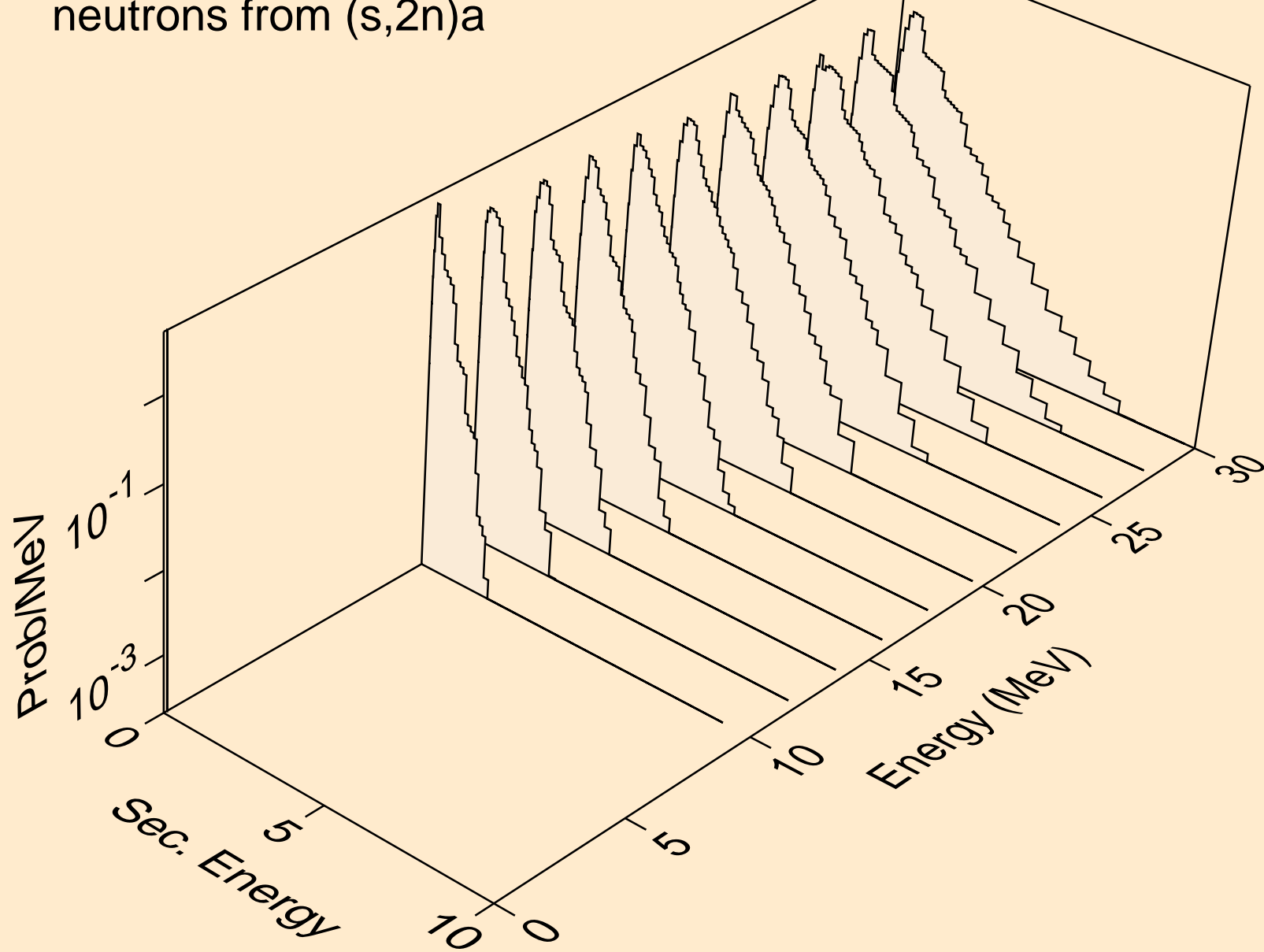
AC236 HELION ACER TENDL-2021 LIBRARY; T=0.K  
neutrons from (s,3n)



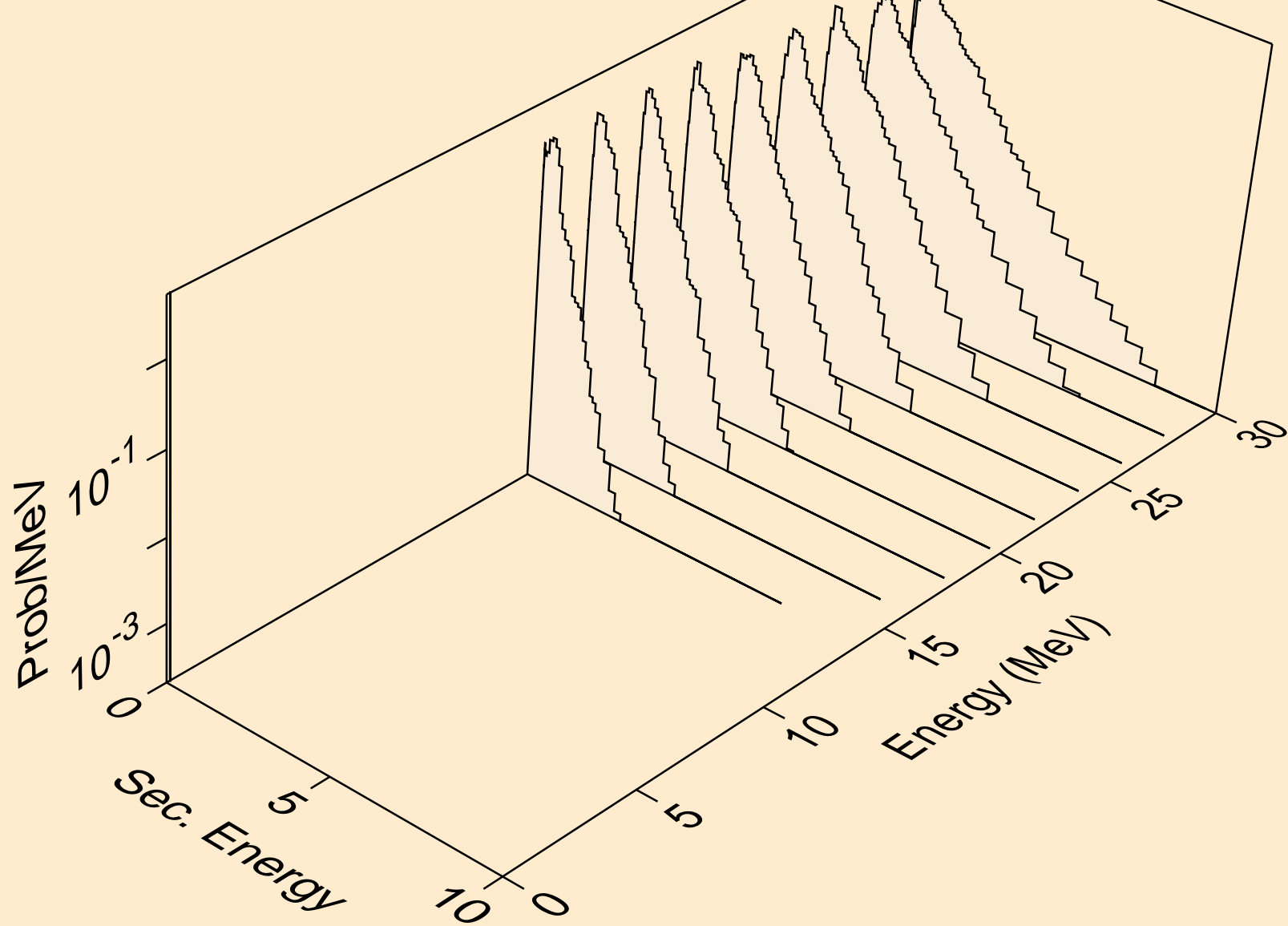
AC236 HELION ACER TENDL-2021 LIBRARY; T=0.K  
neutrons from (s,n\*)a



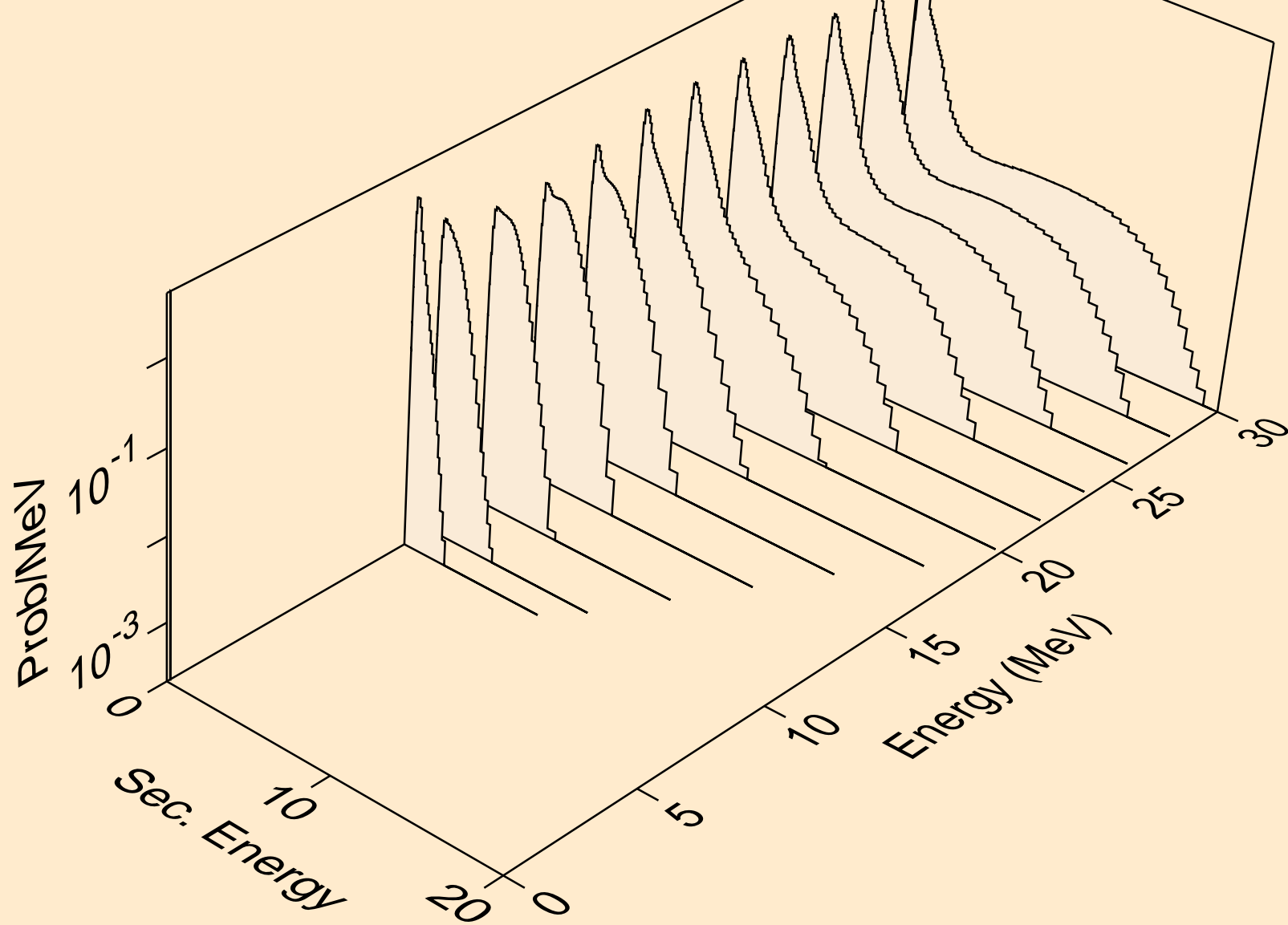
AC236 HELION ACER TENDL-2021 LIBRARY; T=0.K  
neutrons from (s,2n)a



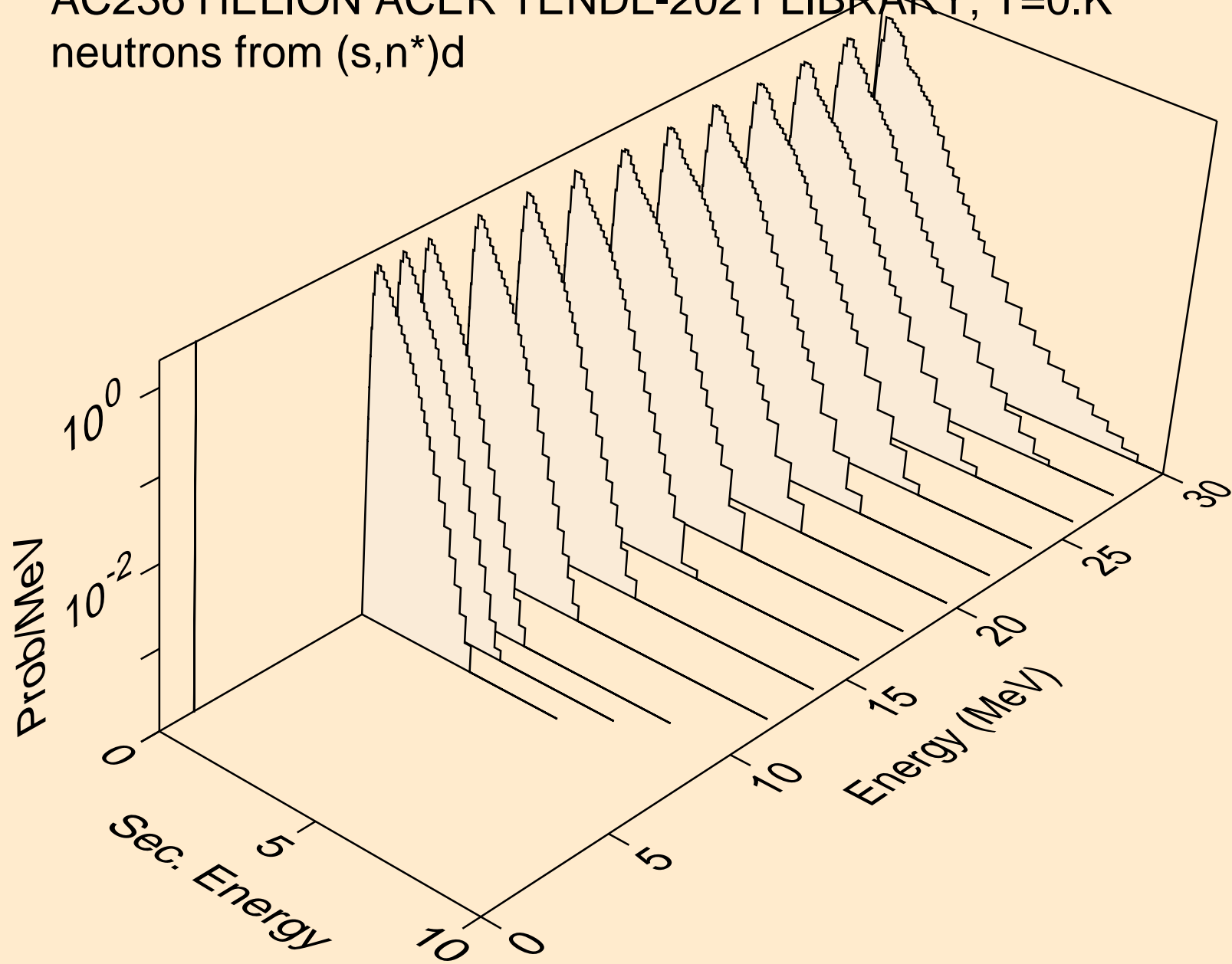
AC236 HELION ACER TENDL-2021 LIBRARY; T=0.K  
neutrons from (s,3n)a



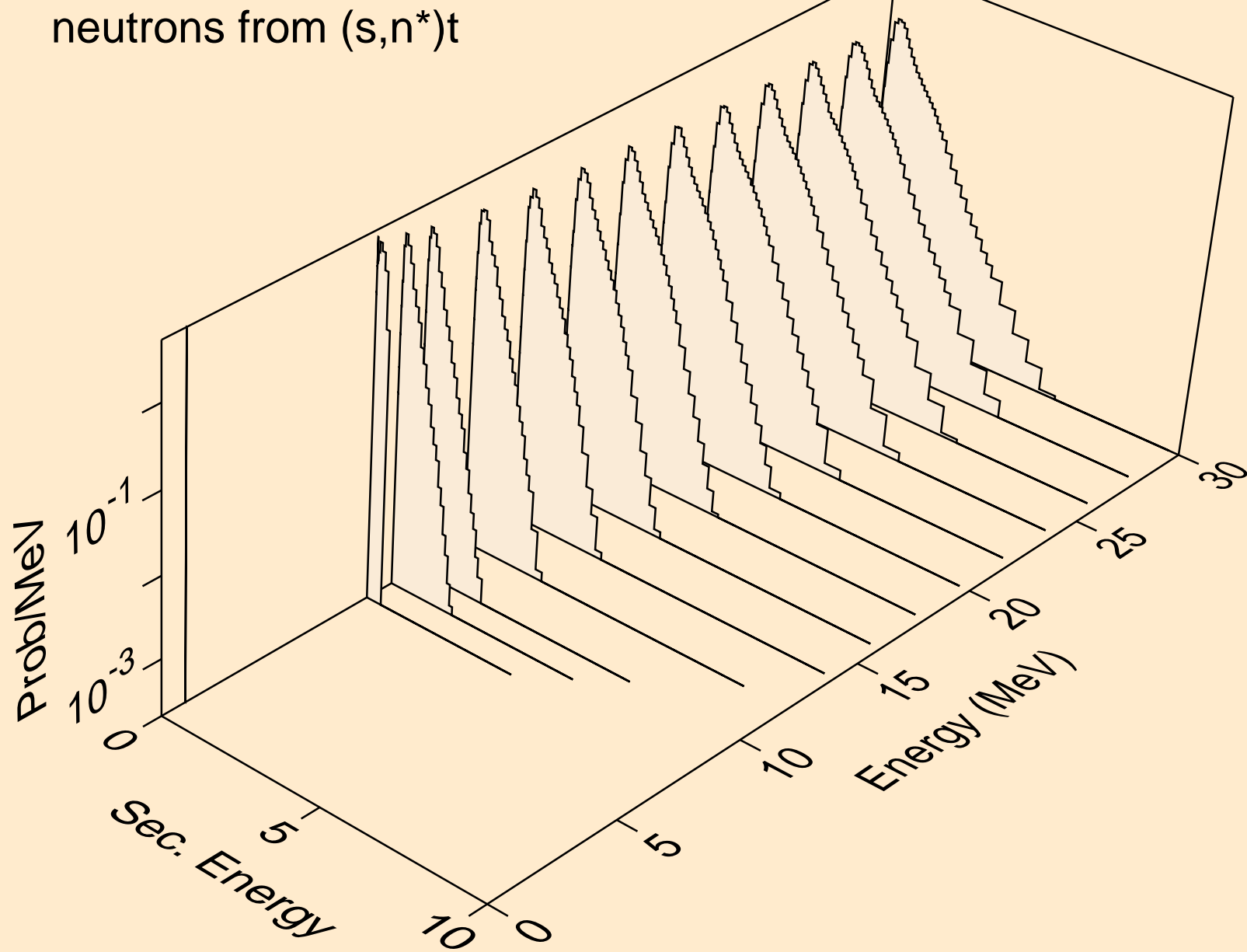
AC236 HELION ACER TENDL-2021 LIBRARY; T=0.K  
neutrons from (s,n\*)p



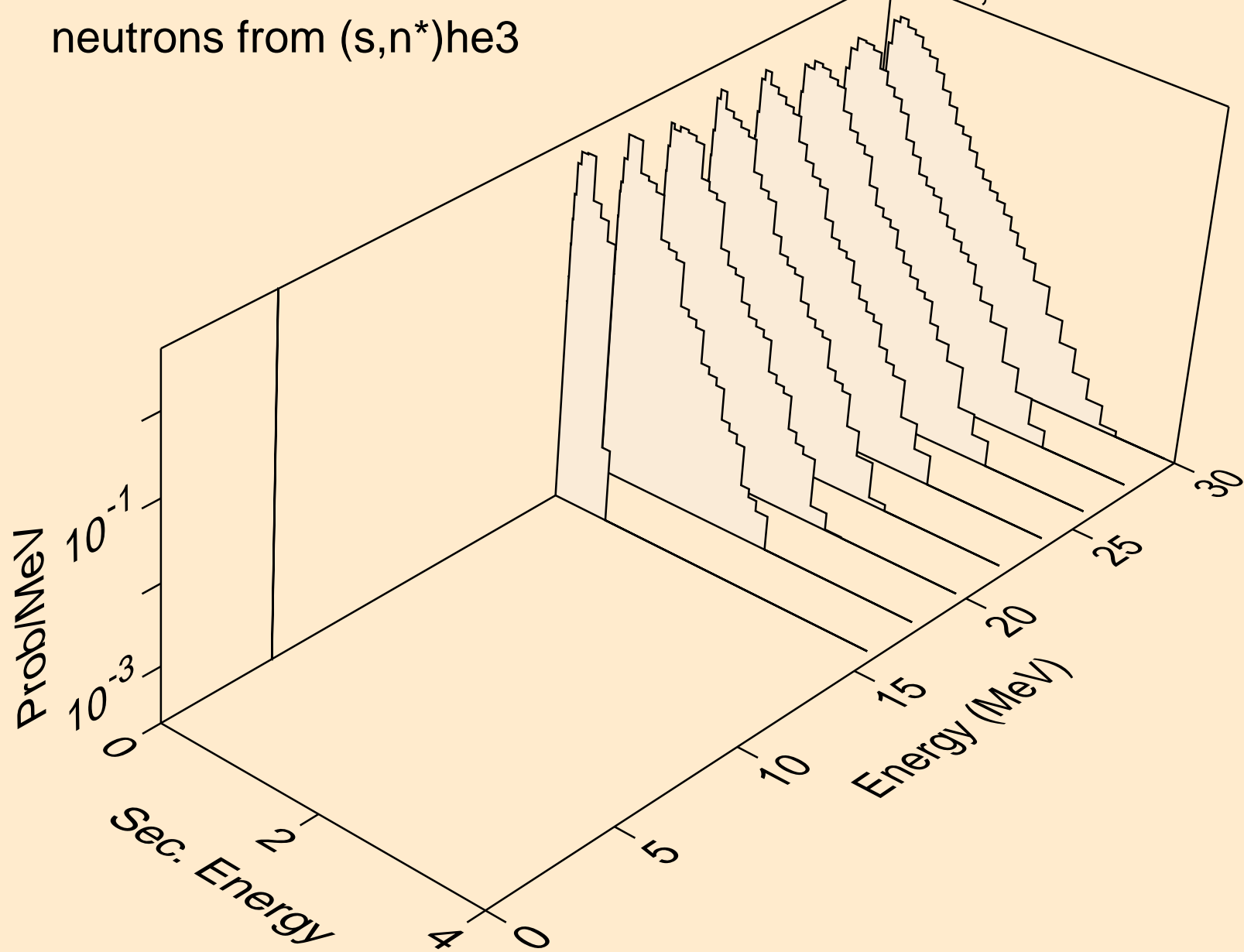
AC236 HELION ACER TENDL-2021 LIBRARY; T=0.K  
neutrons from (s,n\*)d



AC236 HELION ACER TENDL-2021 LIBRARY; T=0.K  
neutrons from (s,n\*)t

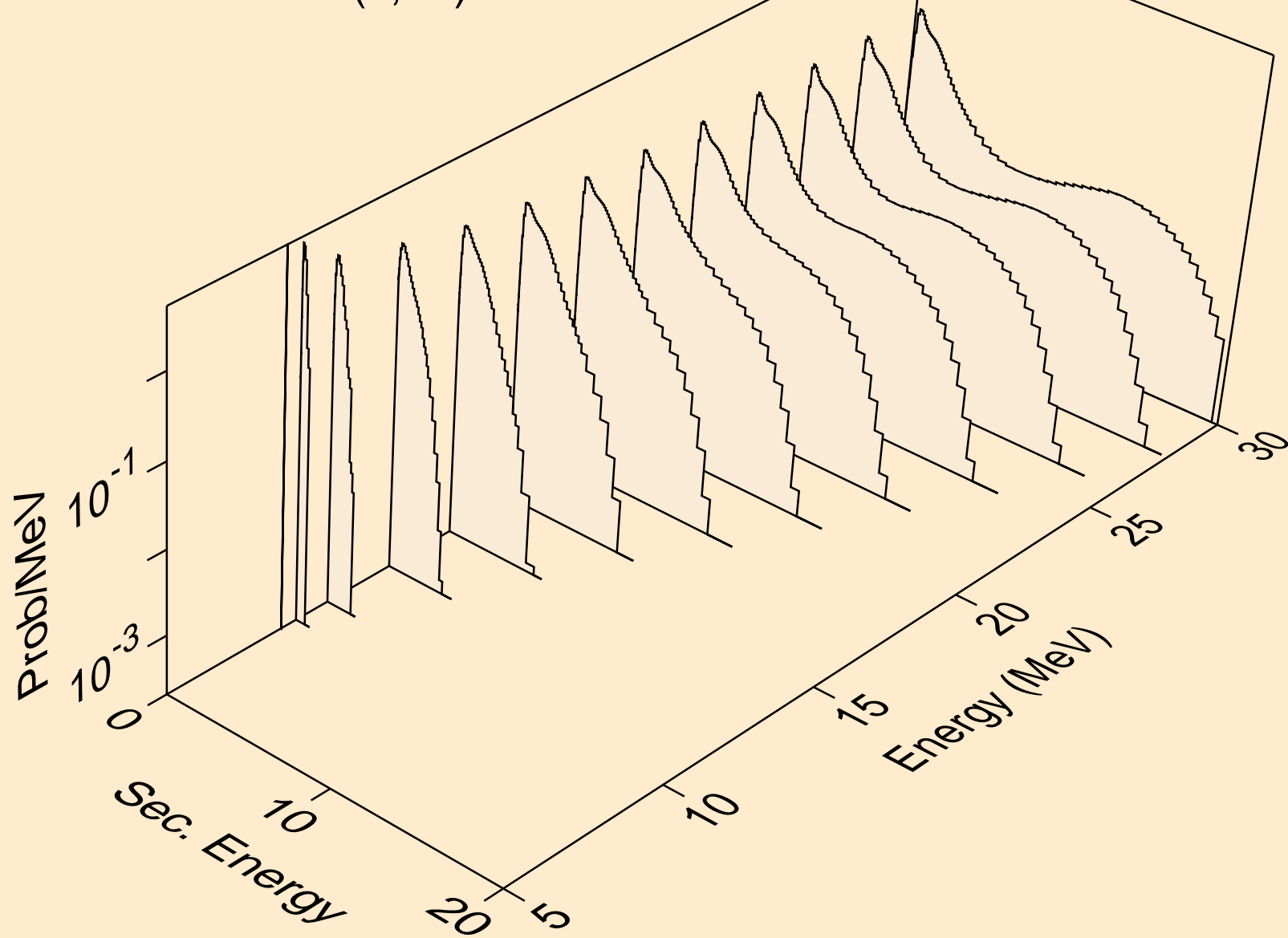


AC236 HELION ACER TENDL-2021 LIBRARY; T=0.K  
neutrons from (s,n\*)he3

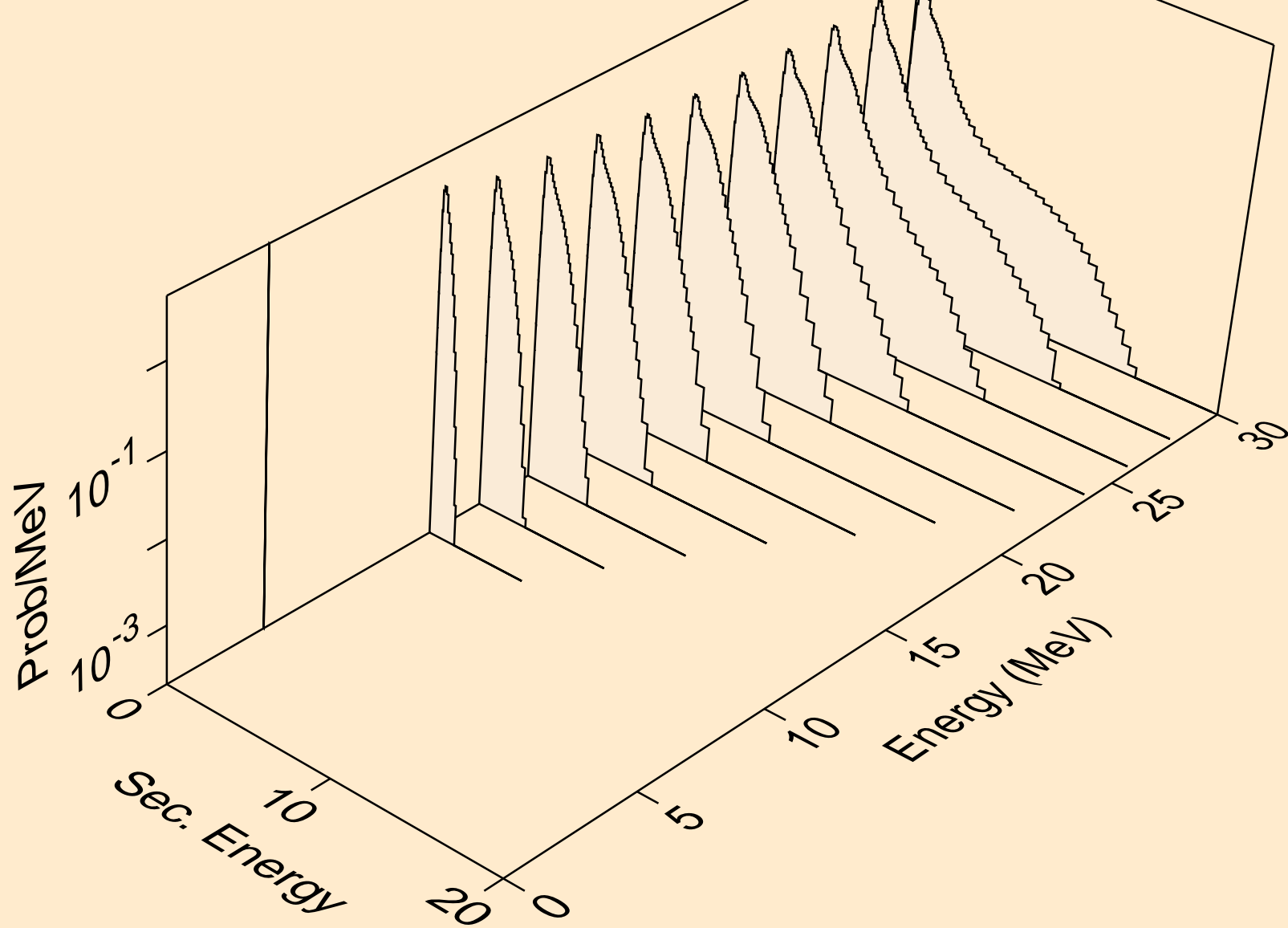




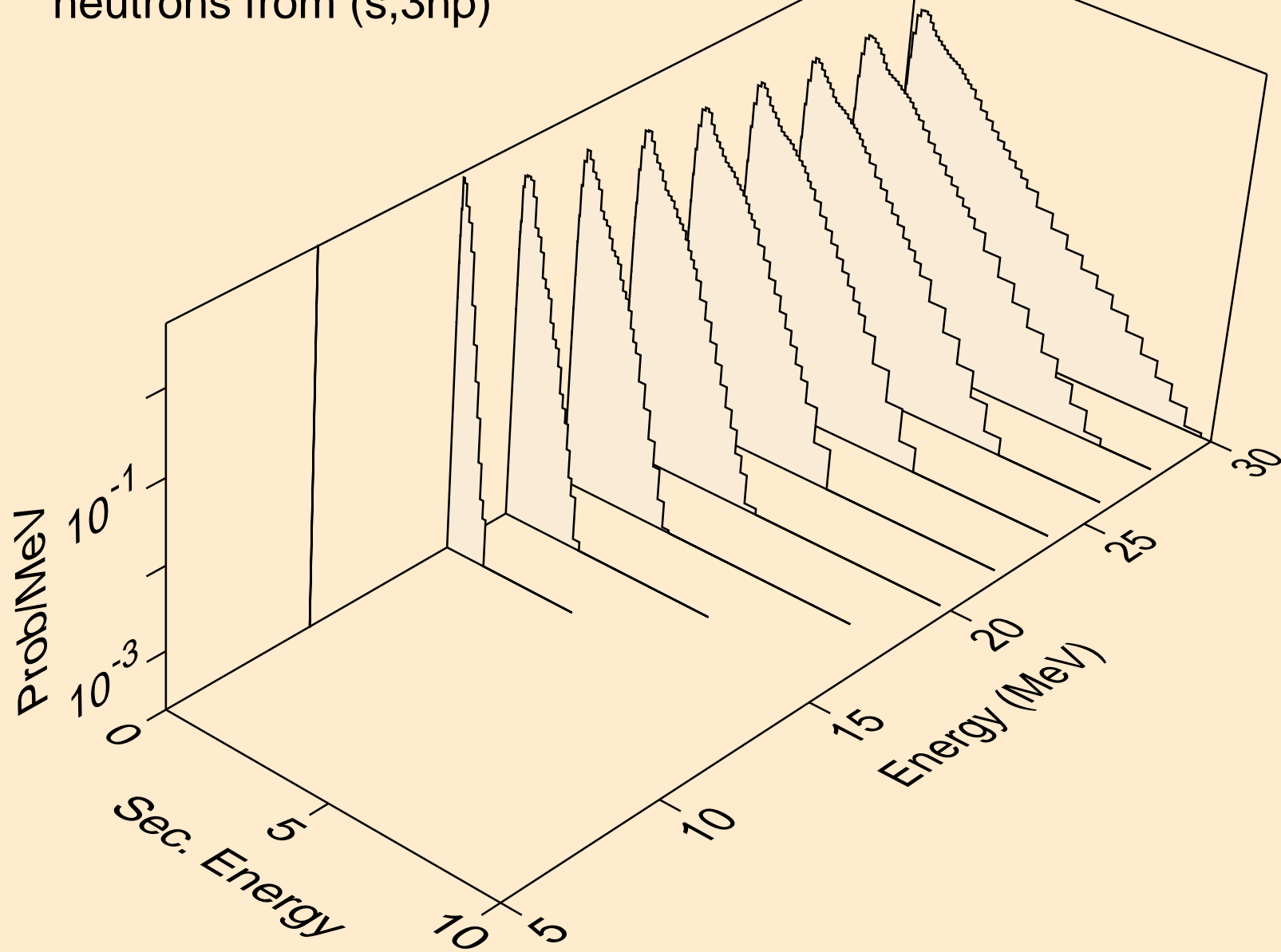
AC236 HELION ACER TENDL-2021 LIBRARY; T=0.K  
neutrons from (s,4n)



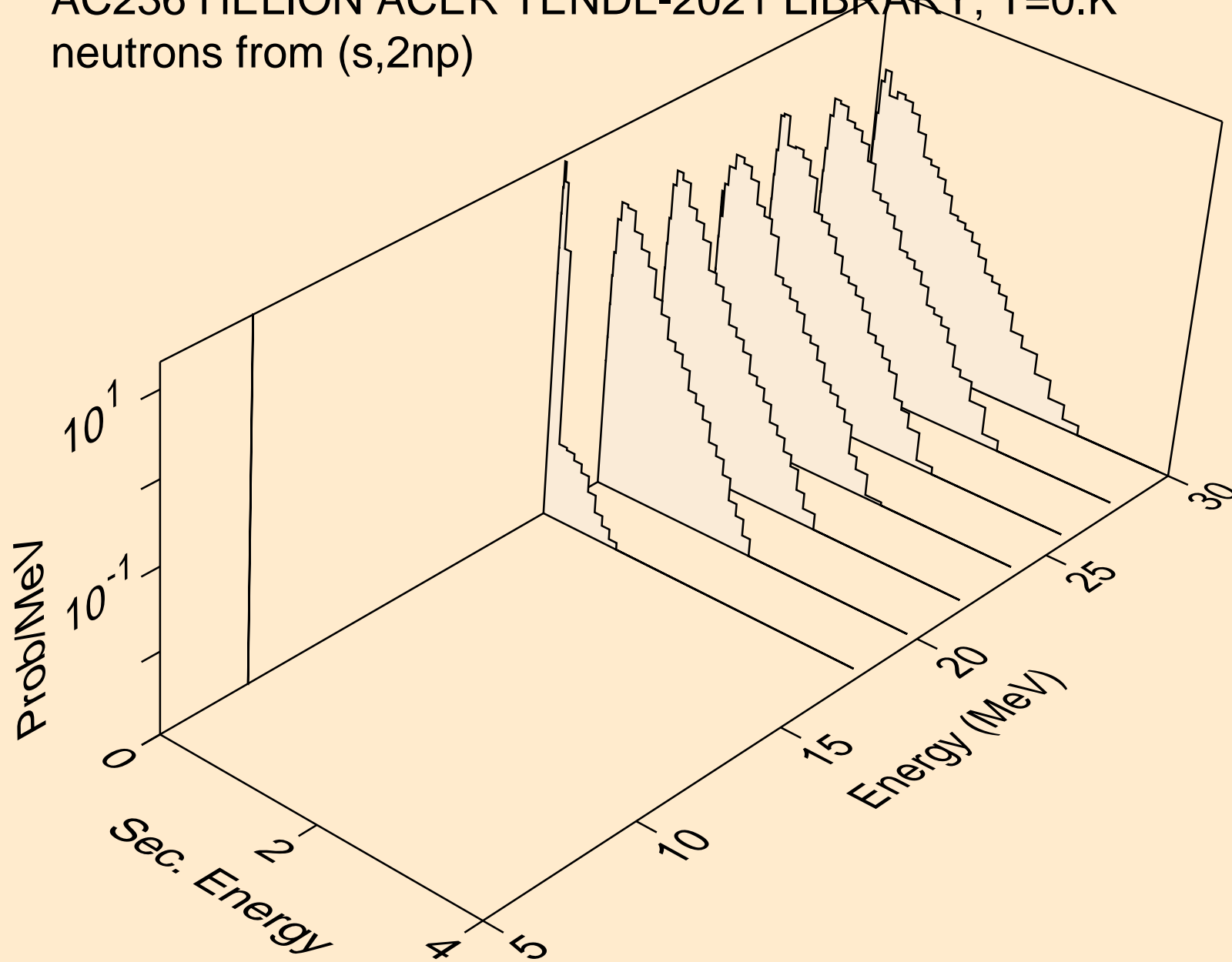
AC236 HELION ACER TENDL-2021 LIBRARY; T=0.K  
neutrons from (s,2np)



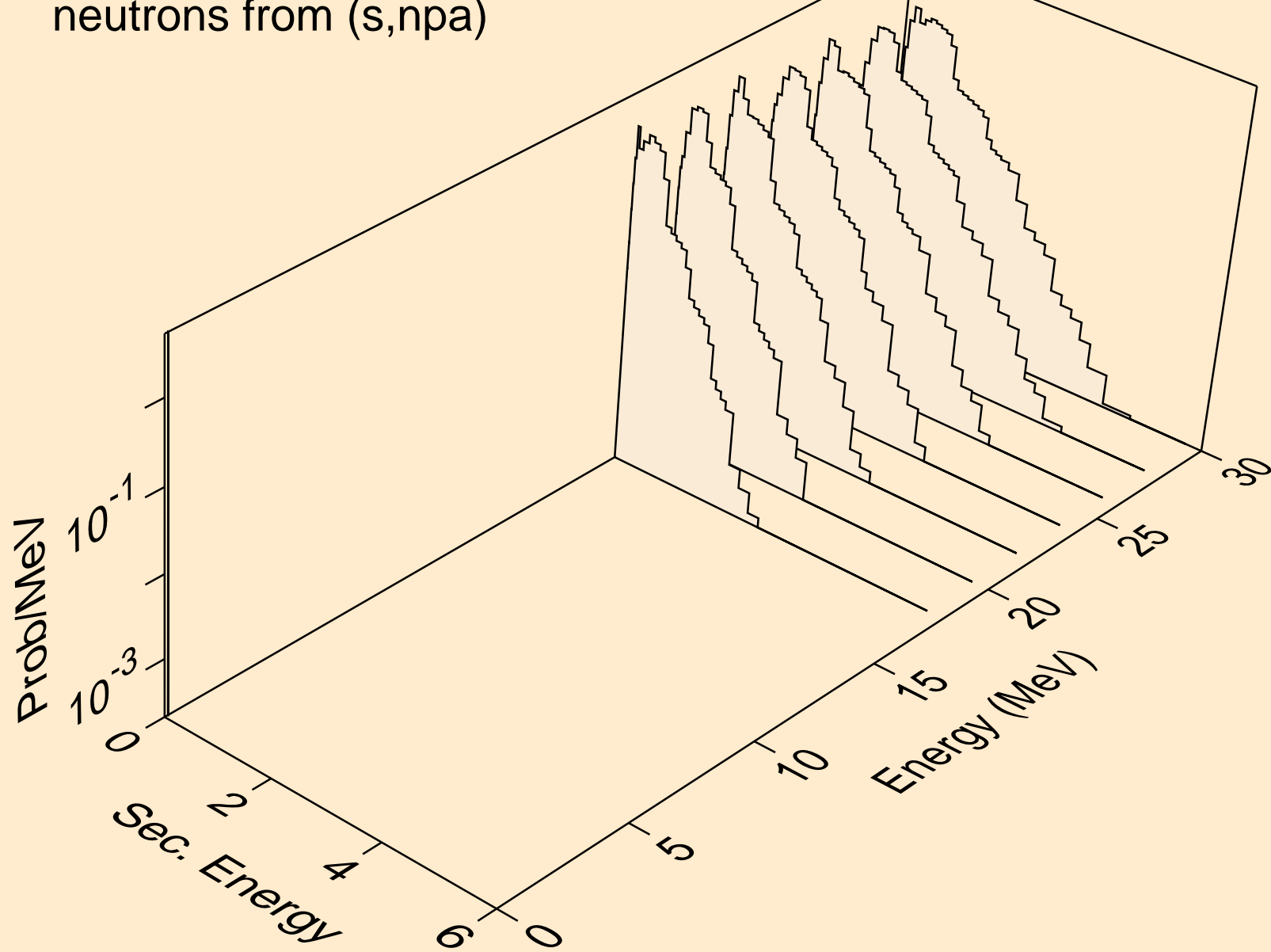
AC236 HELION ACER TENDL-2021 LIBRARY; T=0.K  
neutrons from (s,3np)



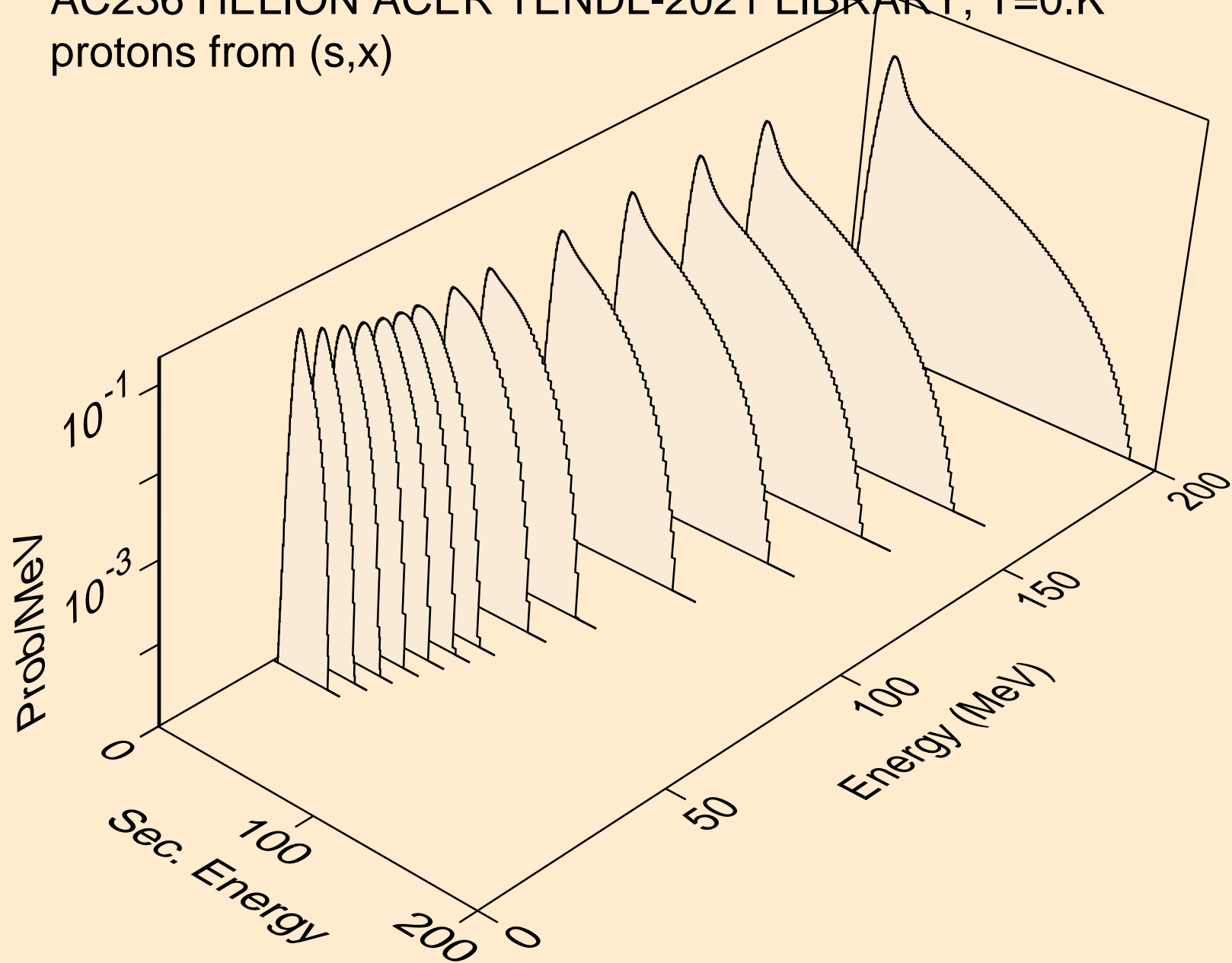
AC236 HELION ACER TENDL-2021 LIBRARY; T=0.K  
neutrons from (s,2np)



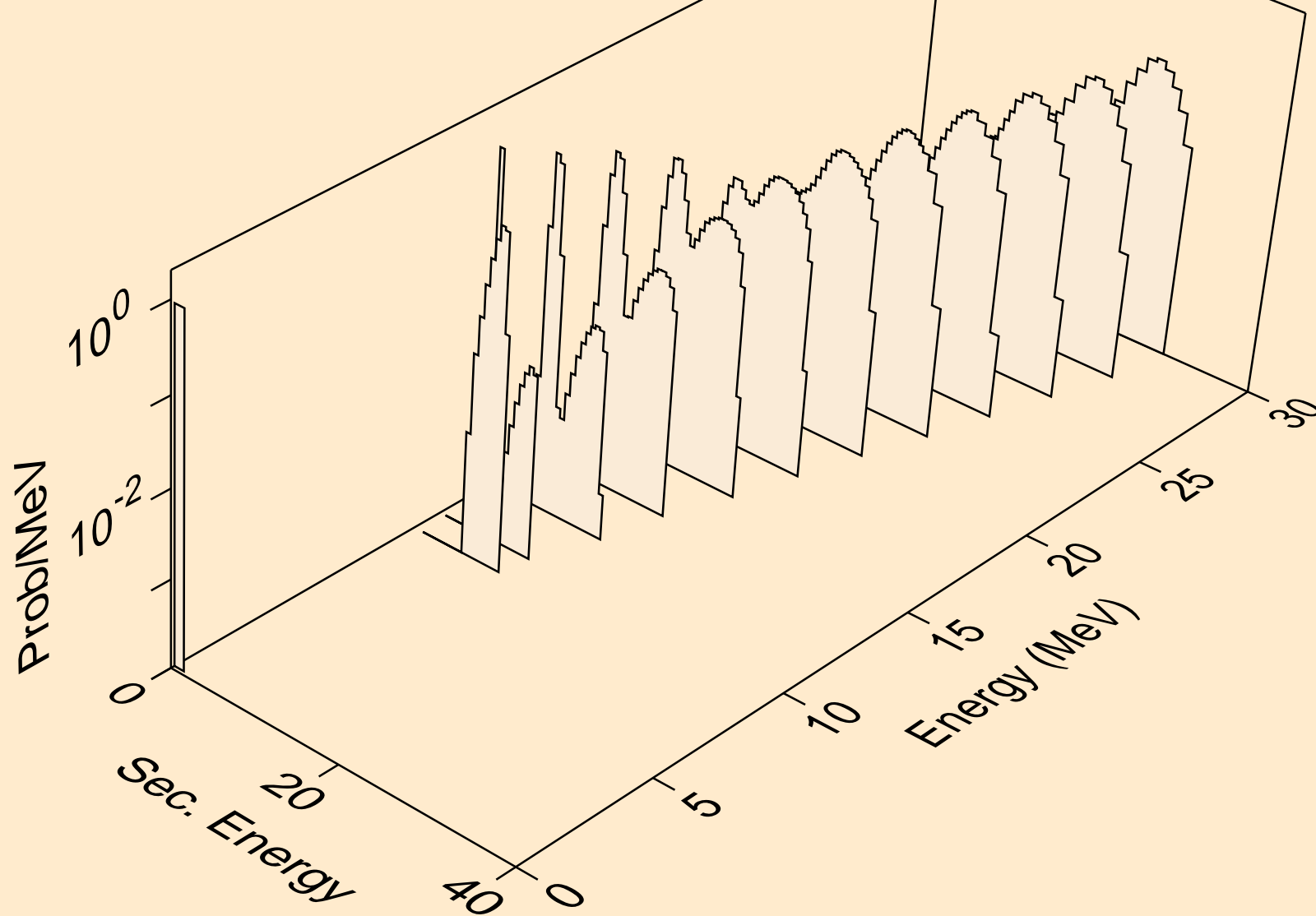
AC236 HELION ACER TENDL-2021 LIBRARY; T=0.K  
neutrons from (s,npa)



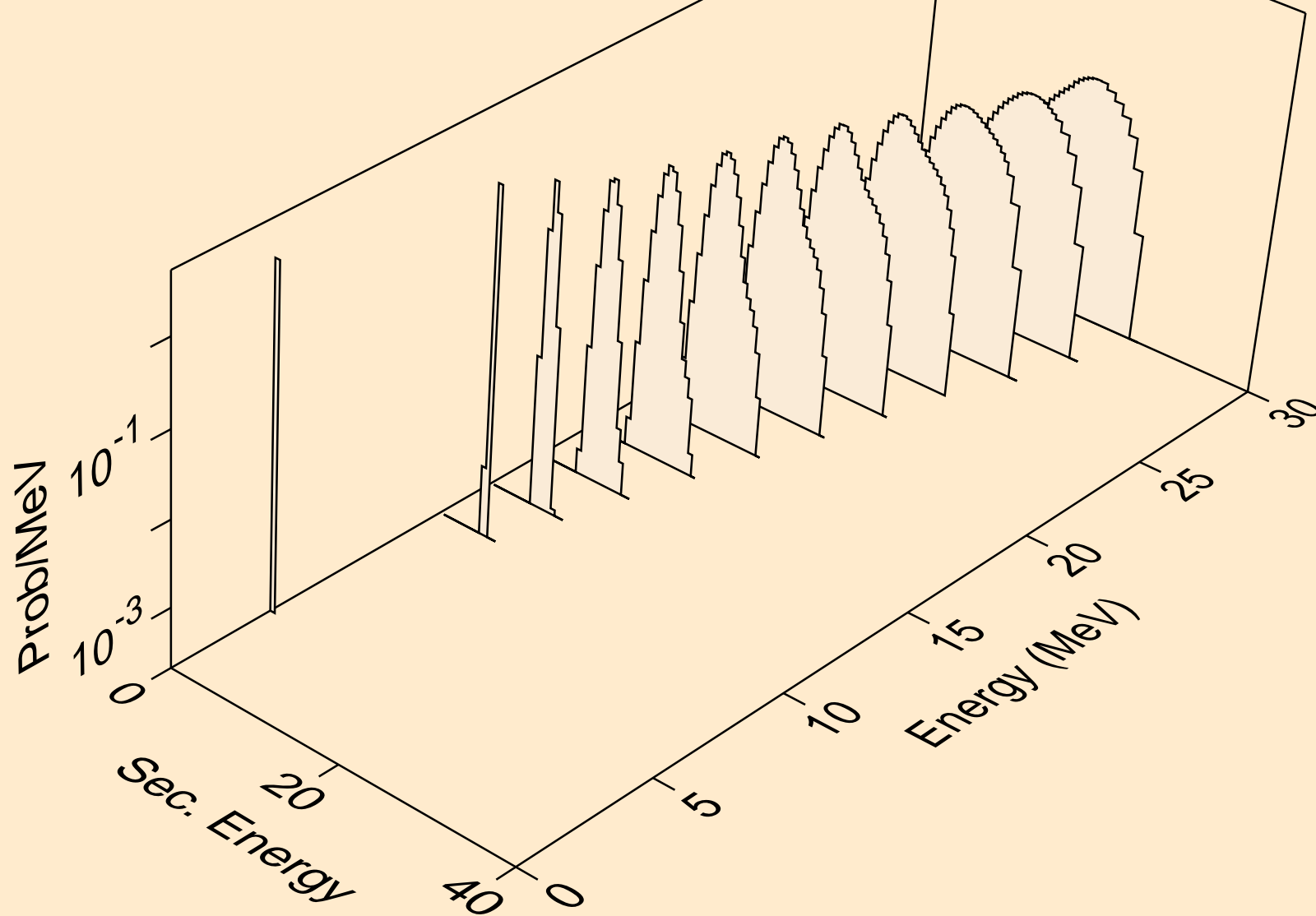
AC236 HELION ACER TENDL-2021 LIBRARY; T=0.K  
protons from (s,x)



AC236 HELION ACER TENDL-2021 LIBRARY; T=0.K  
protons from (s,n\*)p

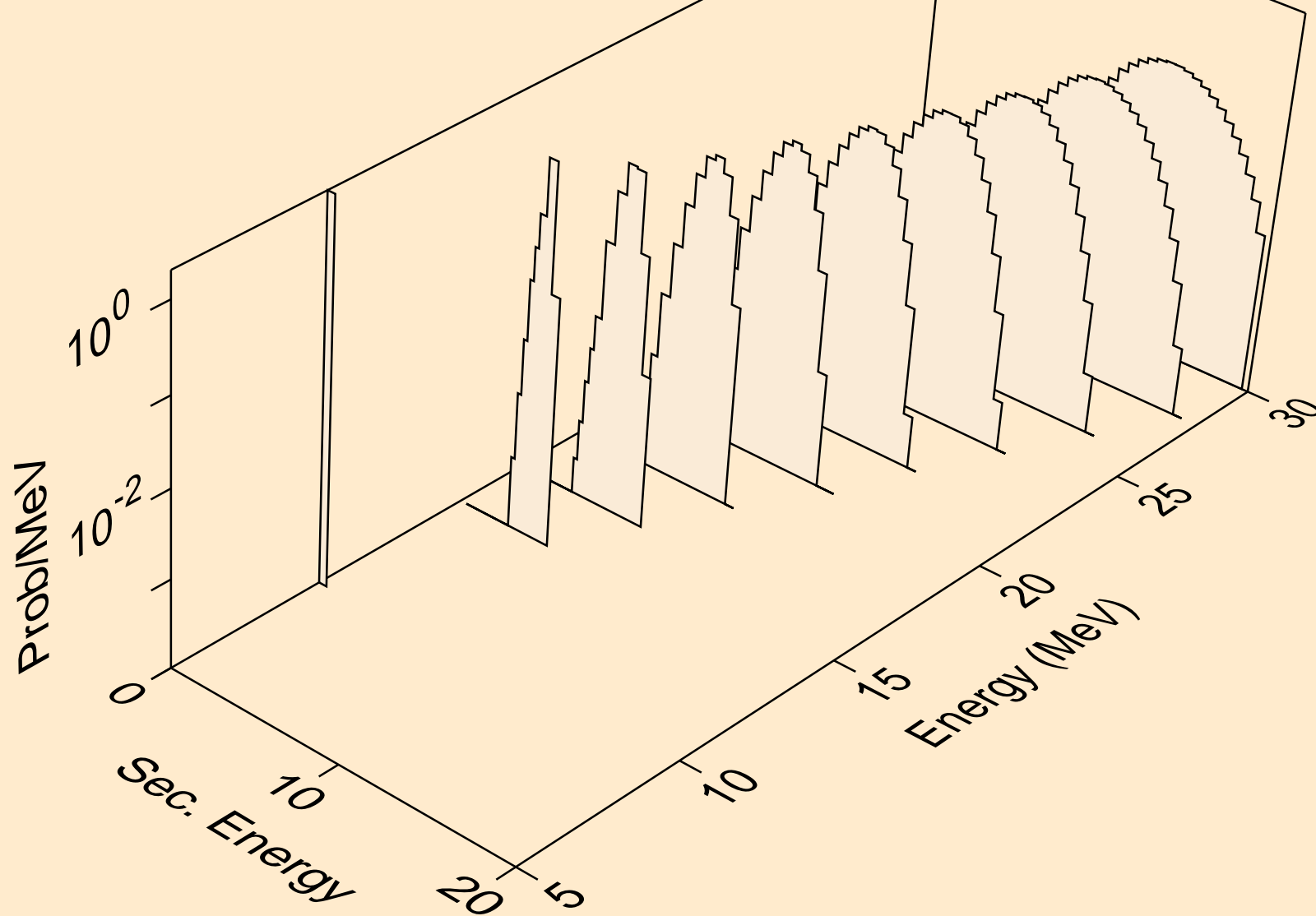


AC236 HELION ACER TENDL-2021 LIBRARY; T=0.K  
protons from (s,2np)

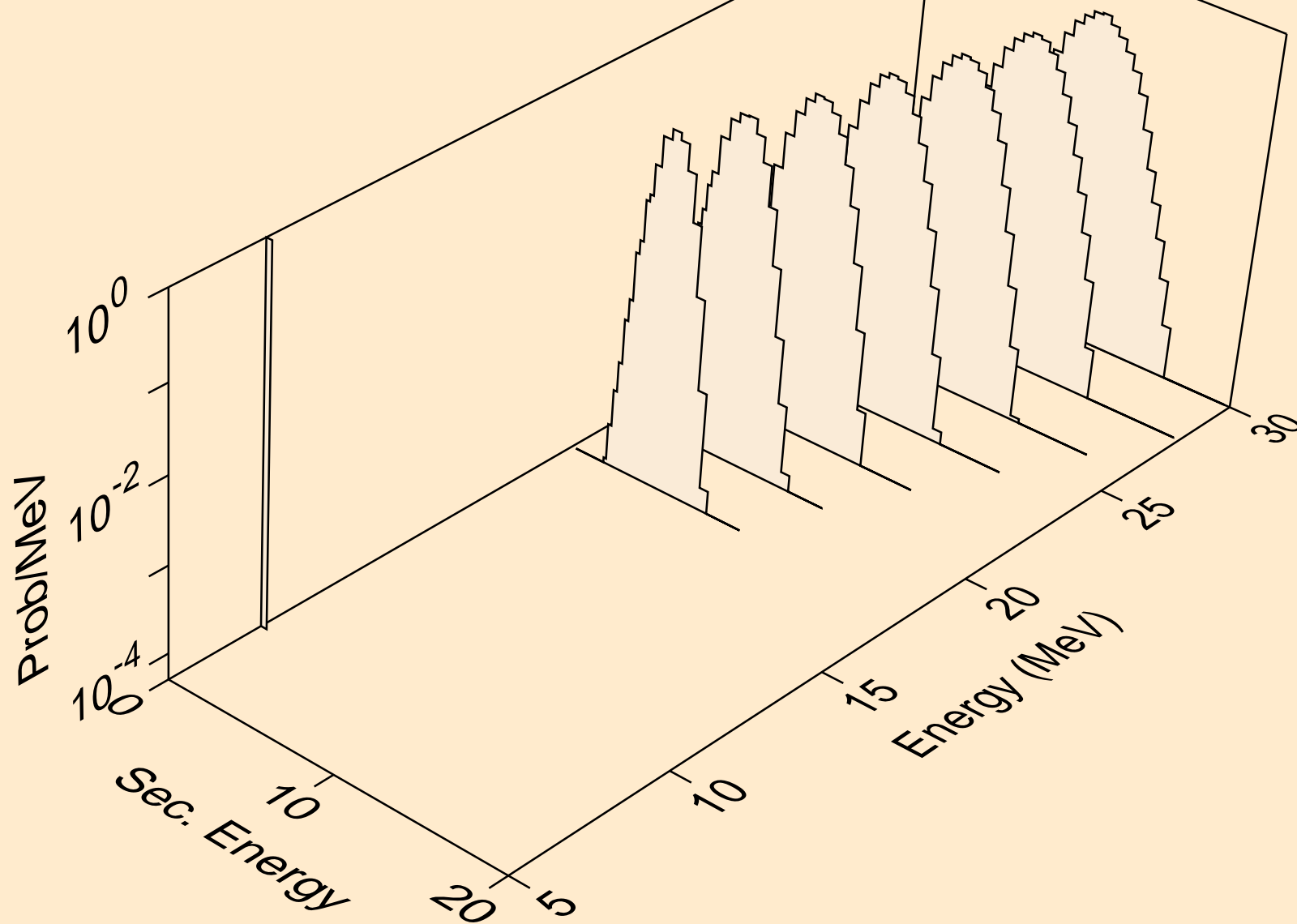




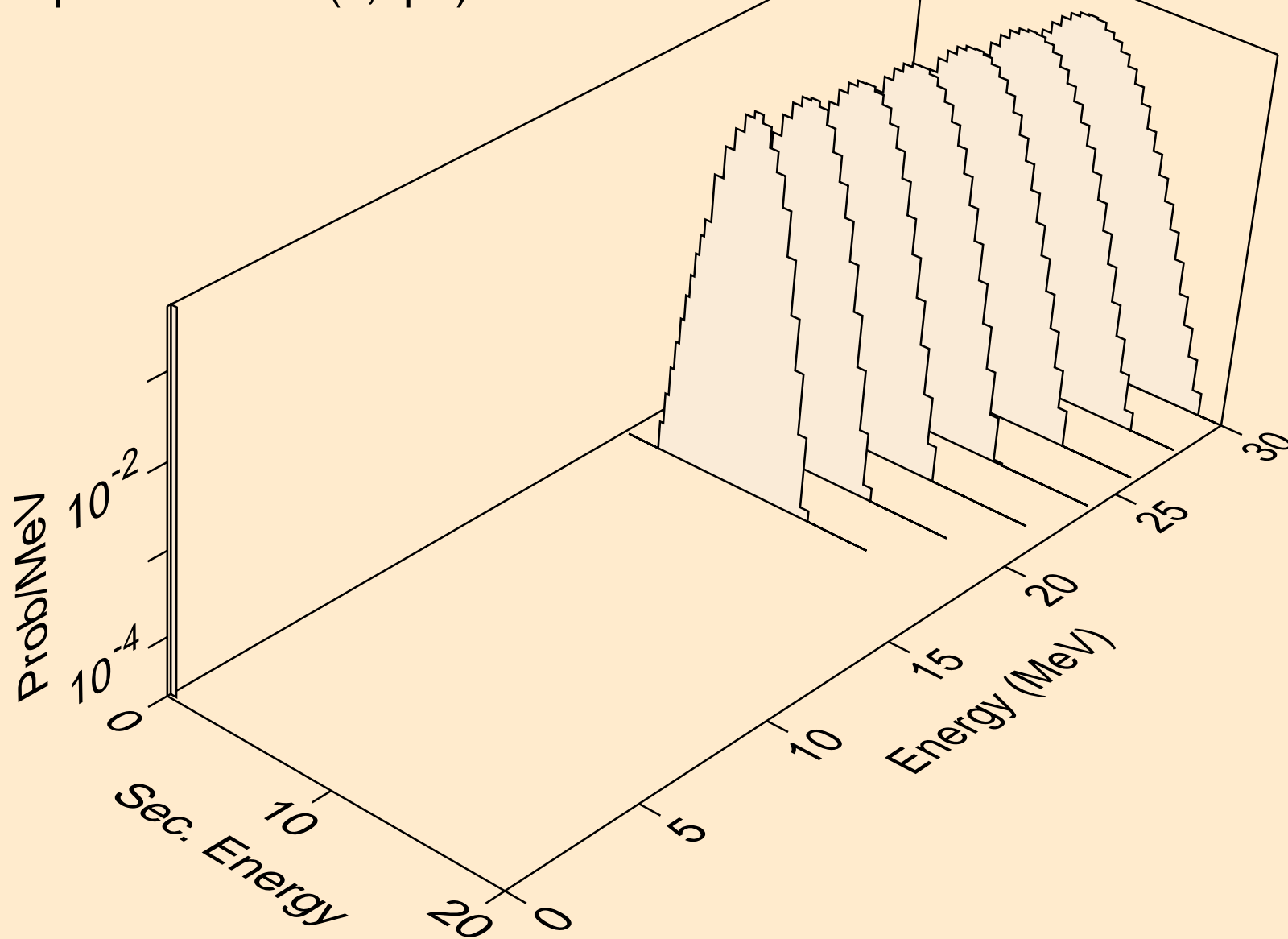
AC236 HELION ACER TENDL-2021 LIBRARY; T=0.K  
protons from (s,3np)



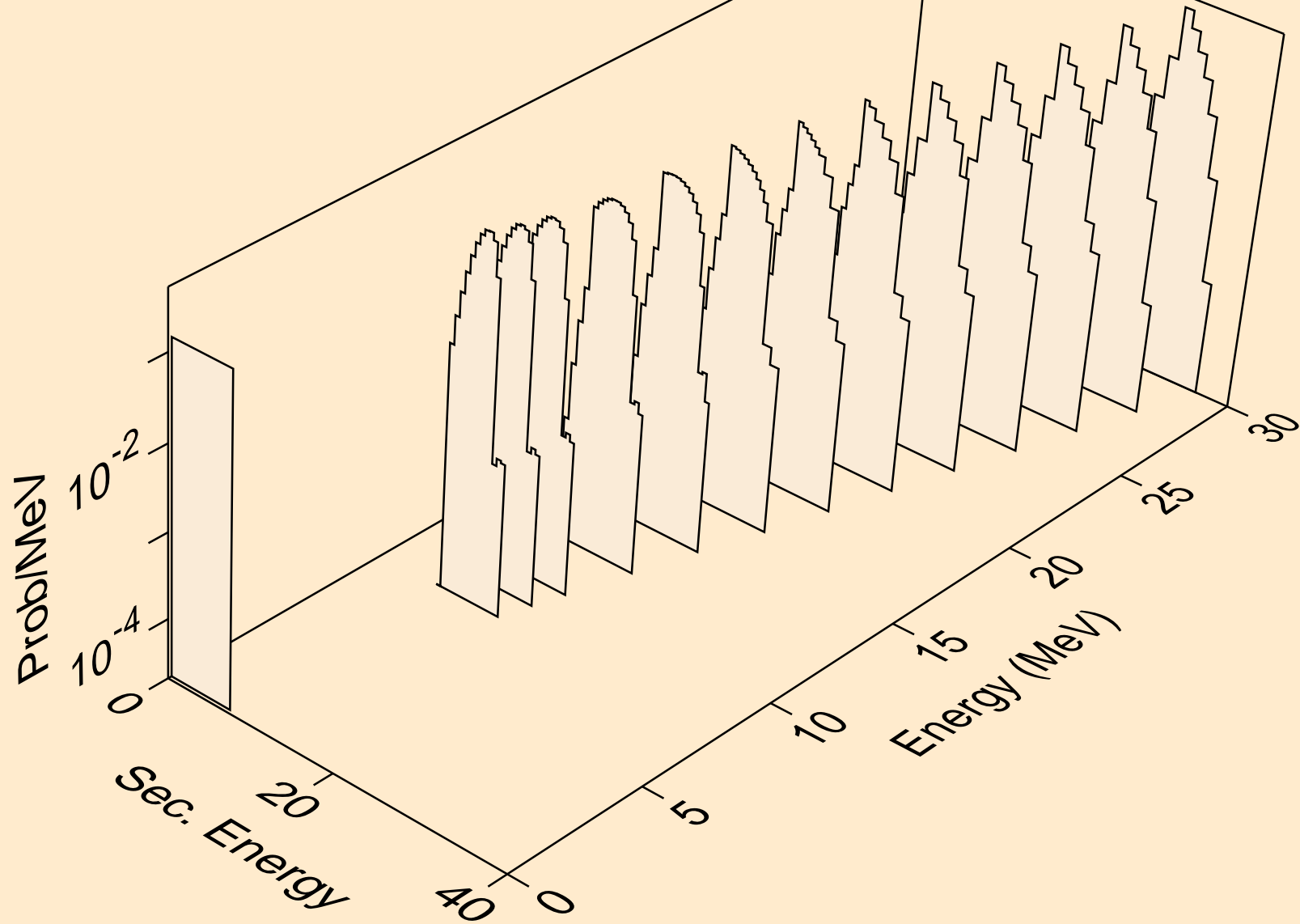
AC236 HELION ACER TENDL-2021 LIBRARY; T=0.K  
protons from (s,2np)



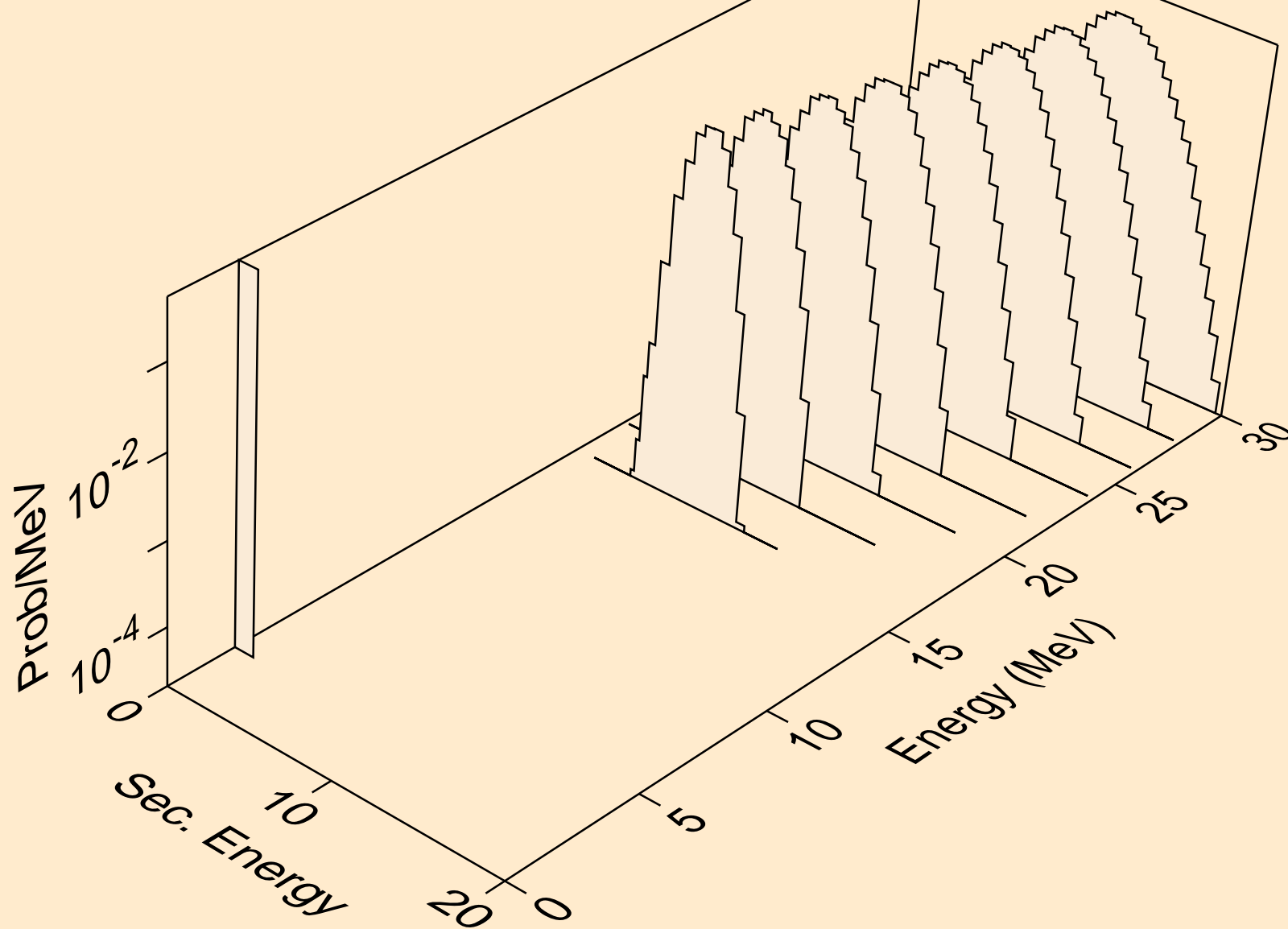
AC236 HELION ACER TENDL-2021 LIBRARY; T=0.K  
protons from (s,npa)



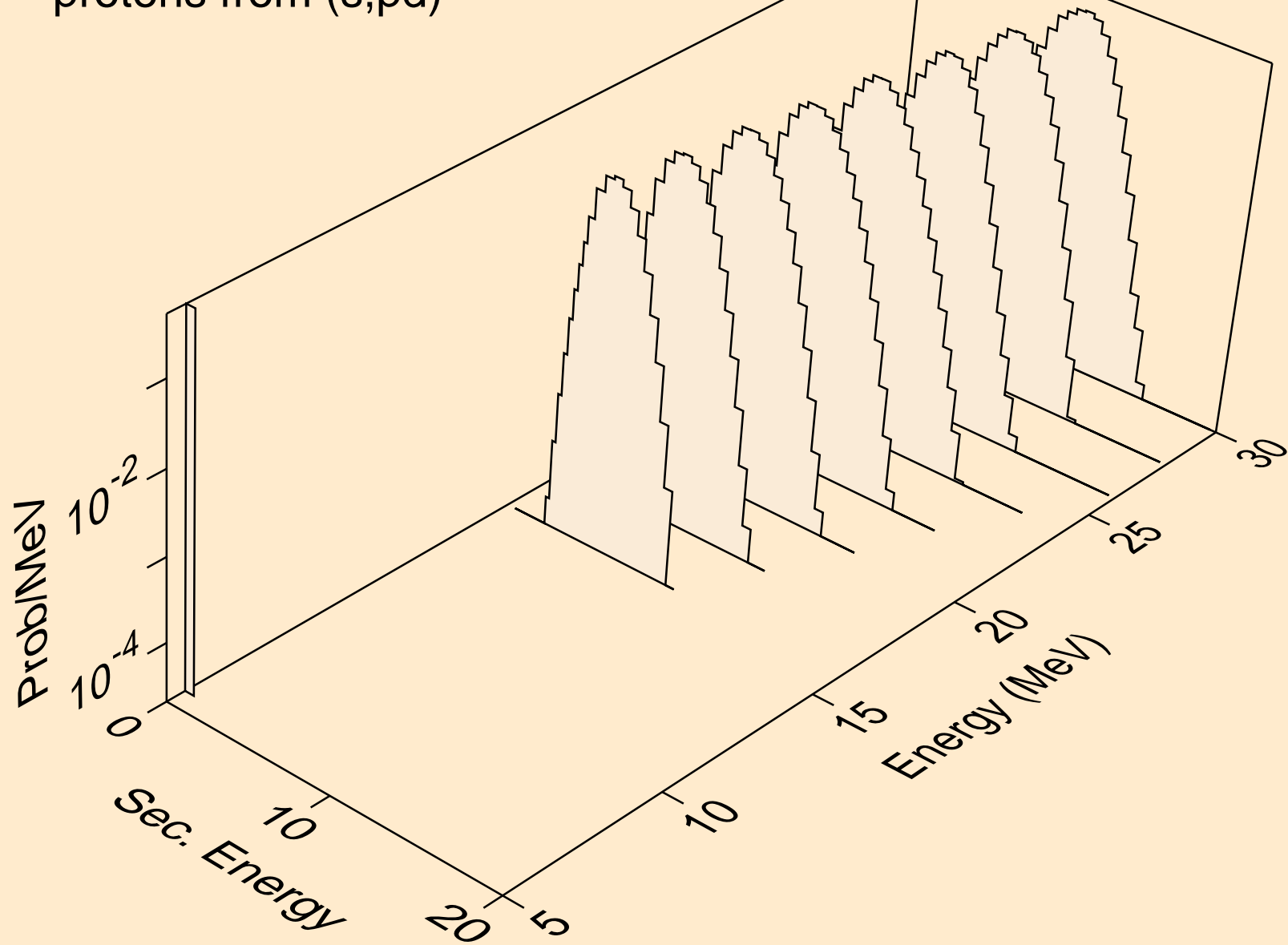
AC236 HELION ACER TENDL-2021 LIBRARY; T=0.K  
protons from (s,p)



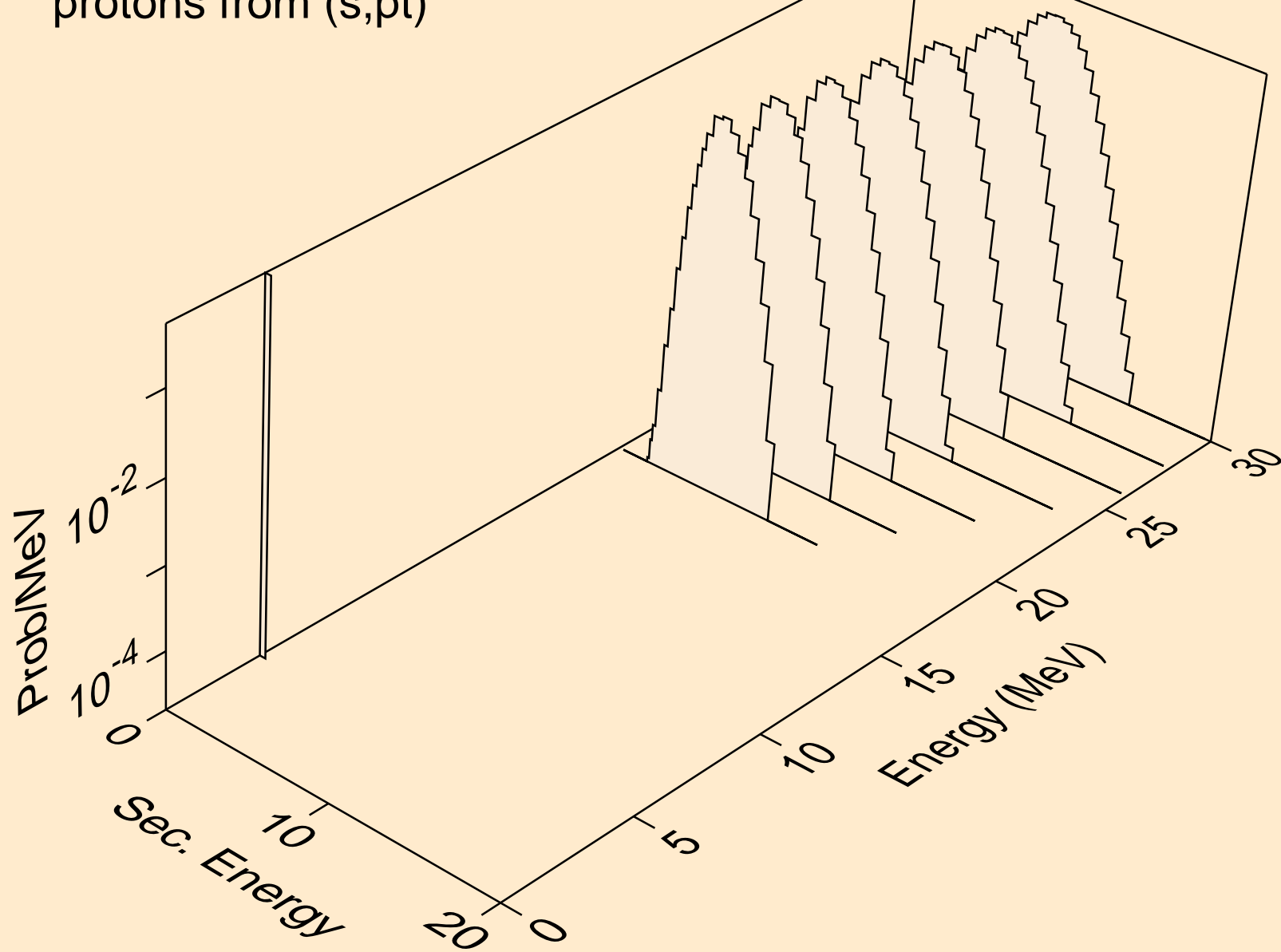
AC236 HELION ACER TENDL-2021 LIBRARY; T=0.K  
protons from (s,2p)



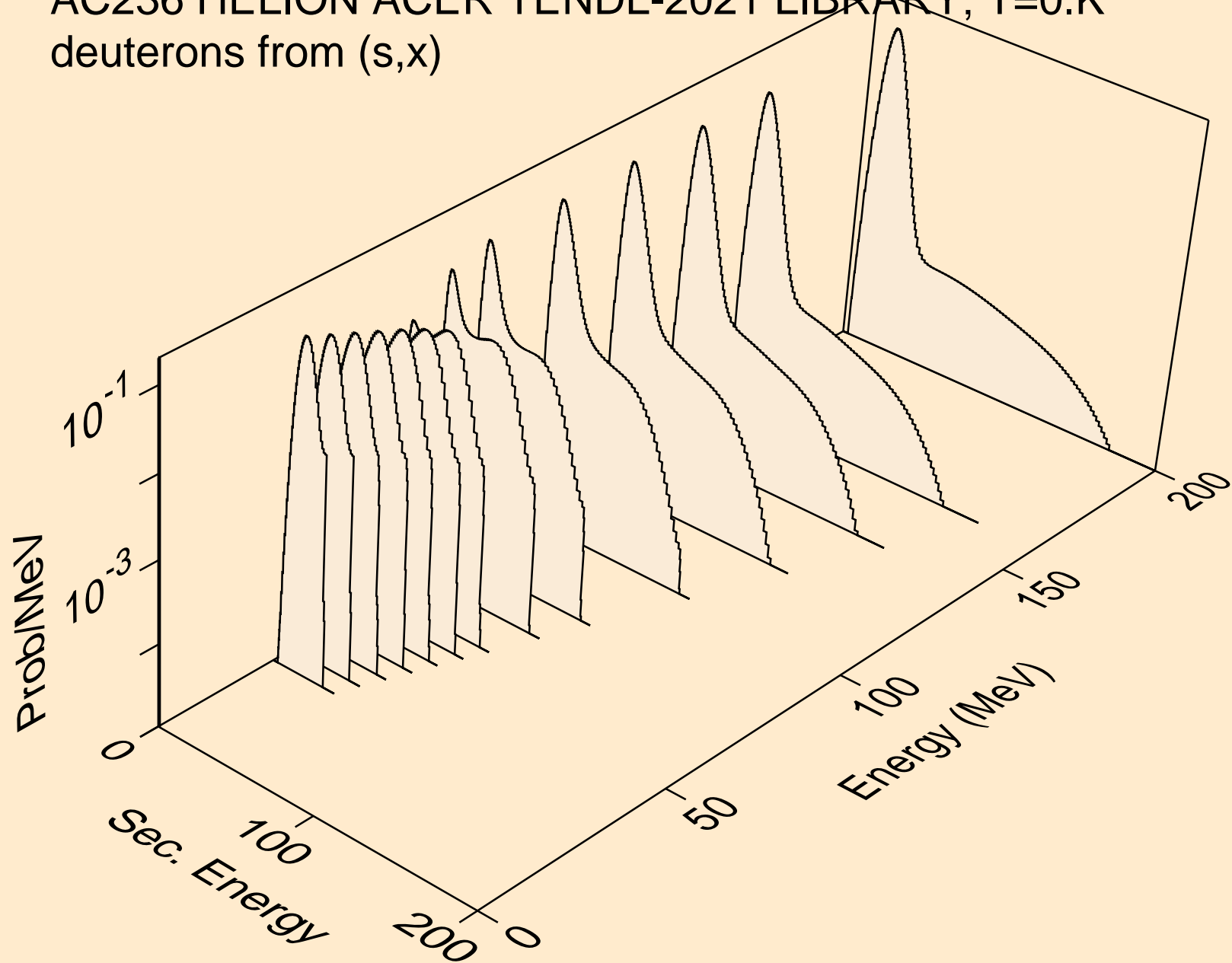
AC236 HELION ACER TENDL-2021 LIBRARY; T=0.K  
protons from (s,pd)



AC236 HELION ACER TENDL-2021 LIBRARY; T=0.K  
protons from (s,pt)

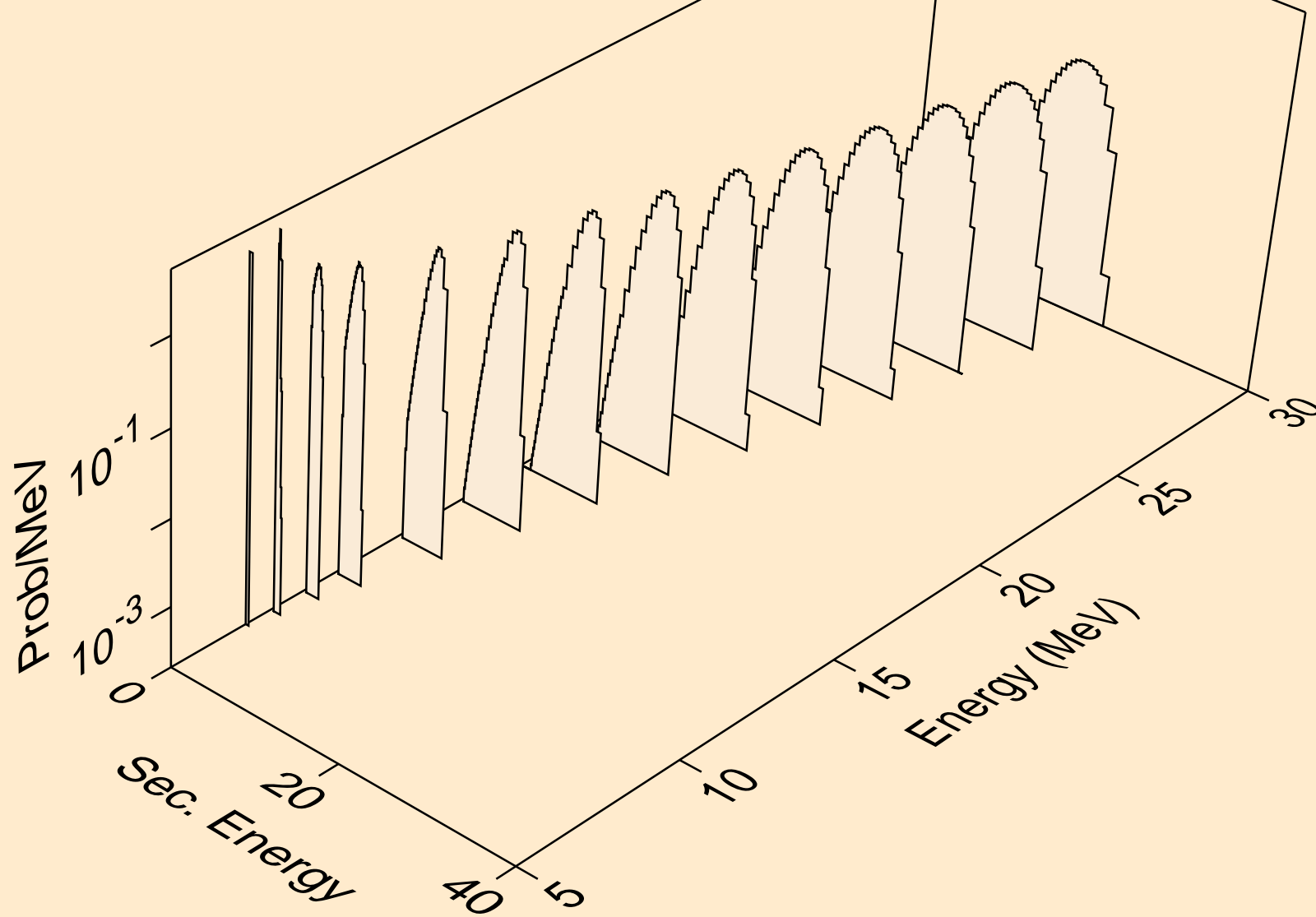


AC236 HELION ACER TENDL-2021 LIBRARY; T=0.K  
deuterons from (s,x)

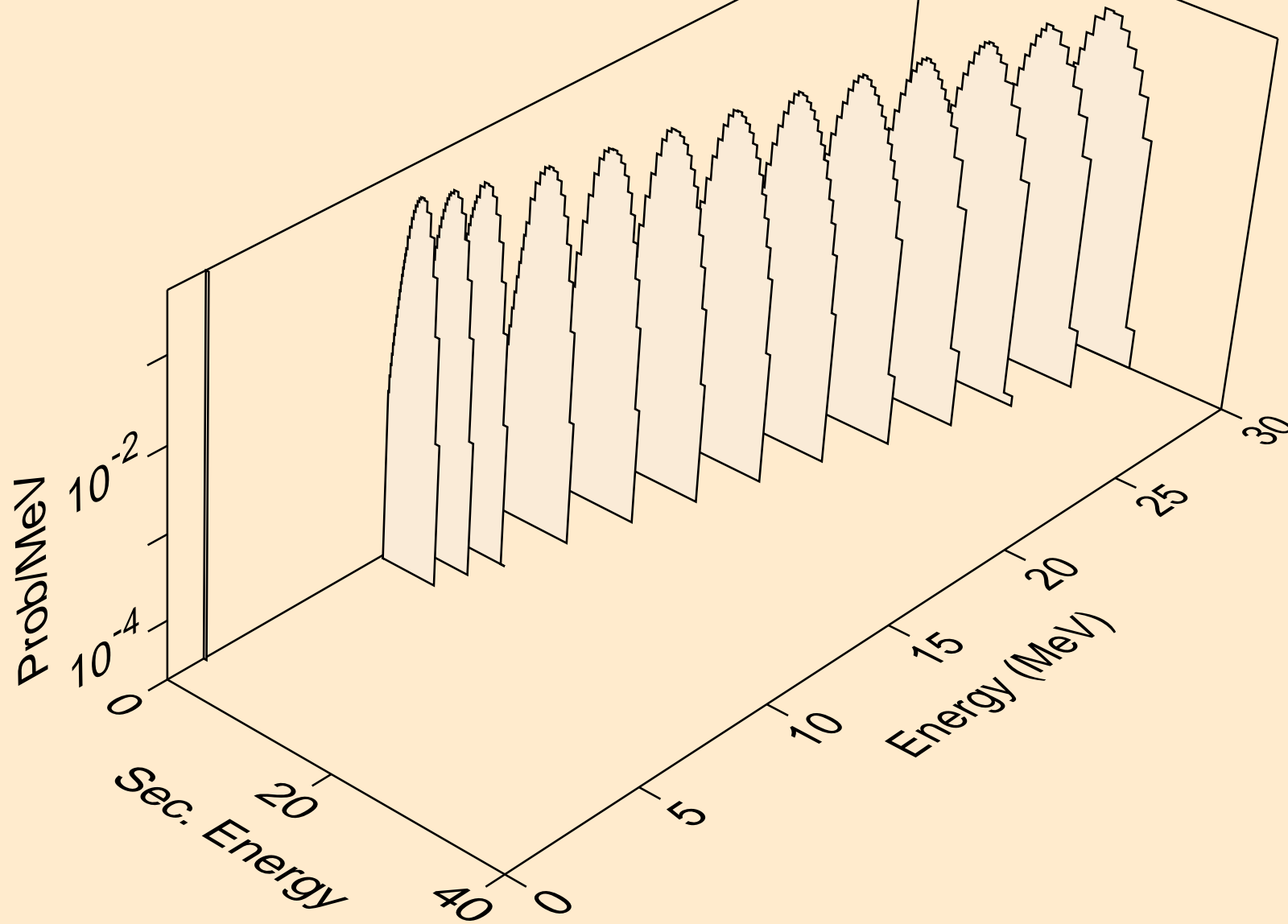




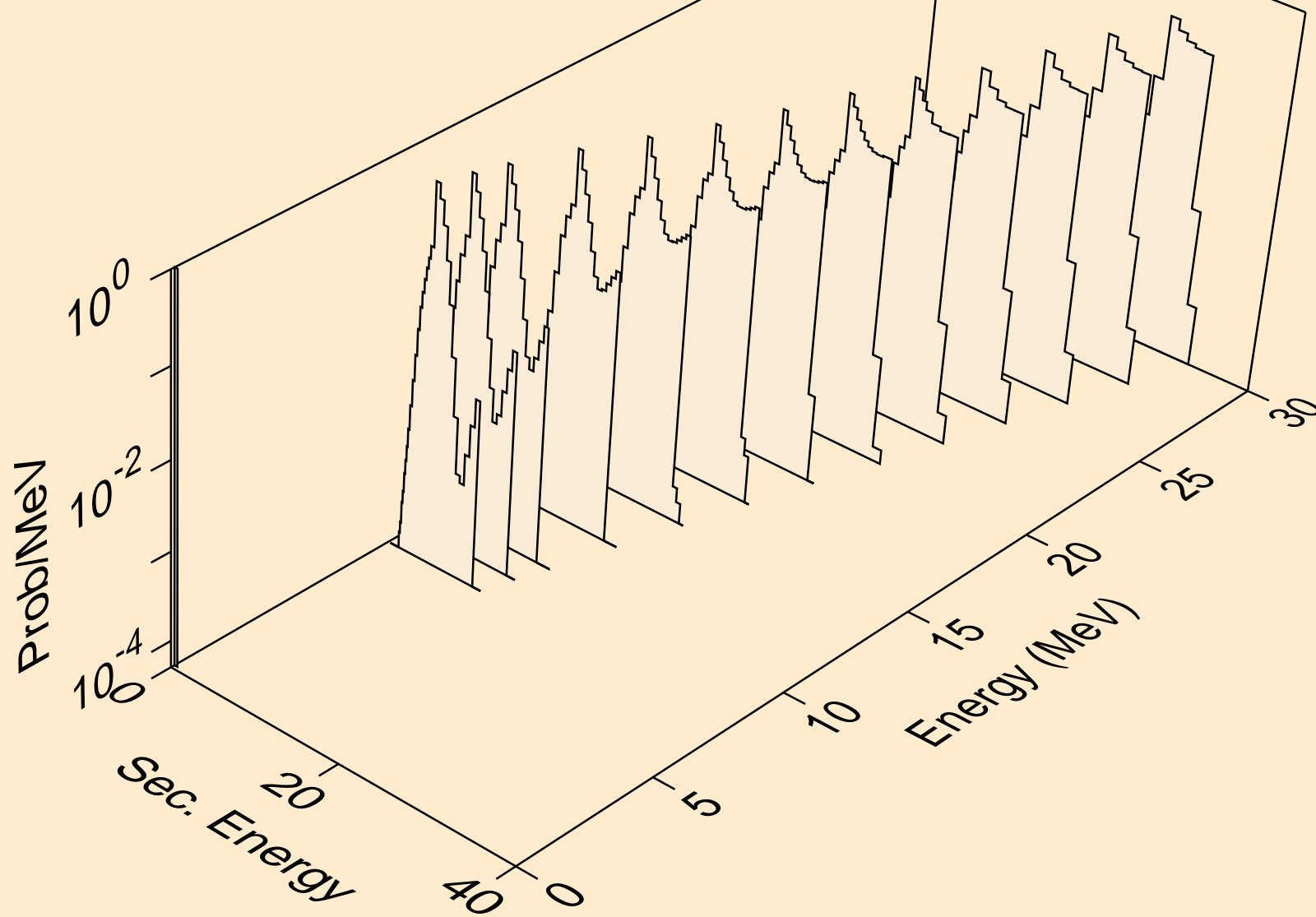
AC236 HELION ACER TENDL-2021 LIBRARY; T=0.K  
deuterons from (s,2nd)



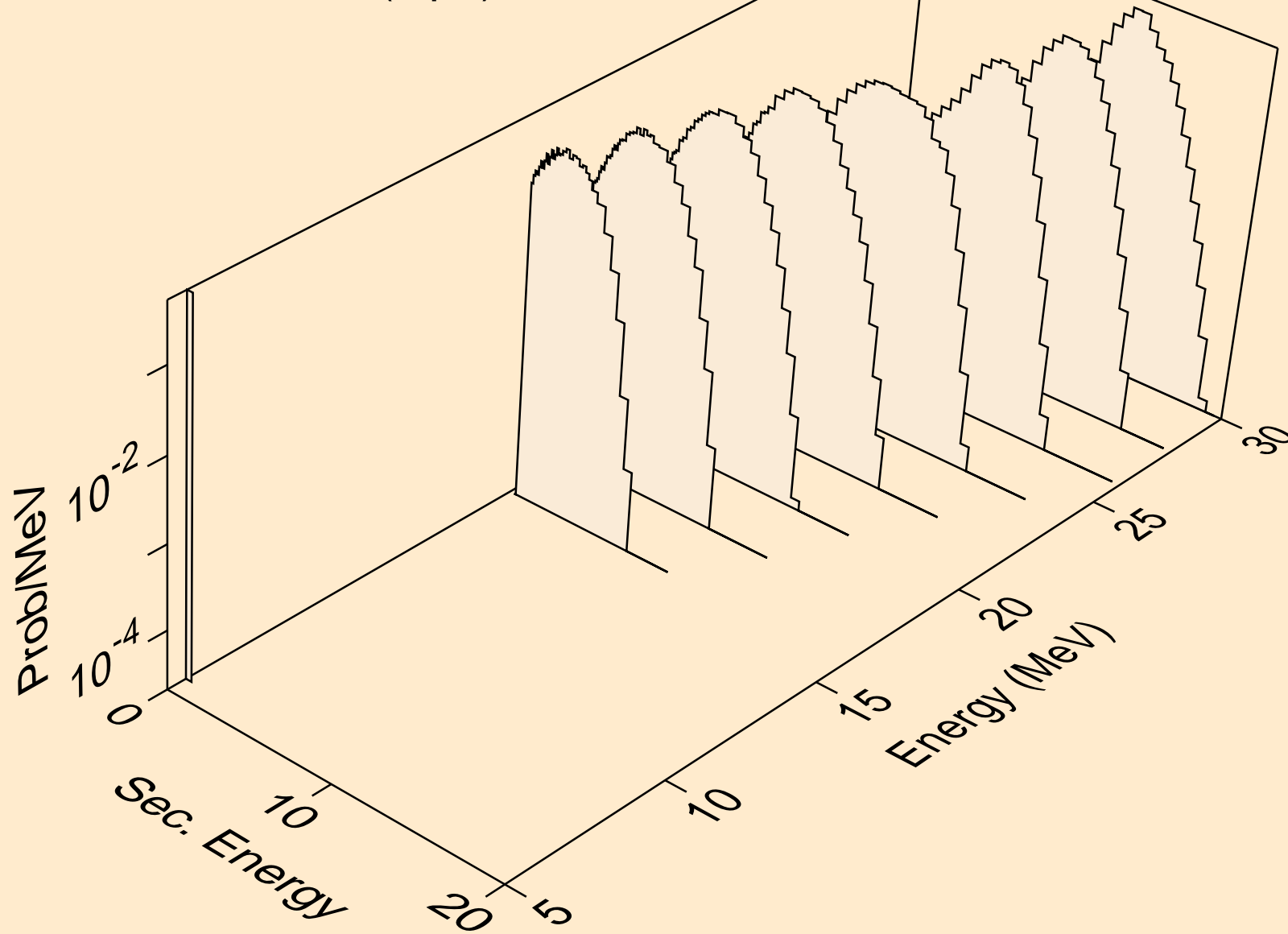
AC236 HELION ACER TENDL-2021 LIBRARY; T=0.K  
deuterons from (s,n\*)d



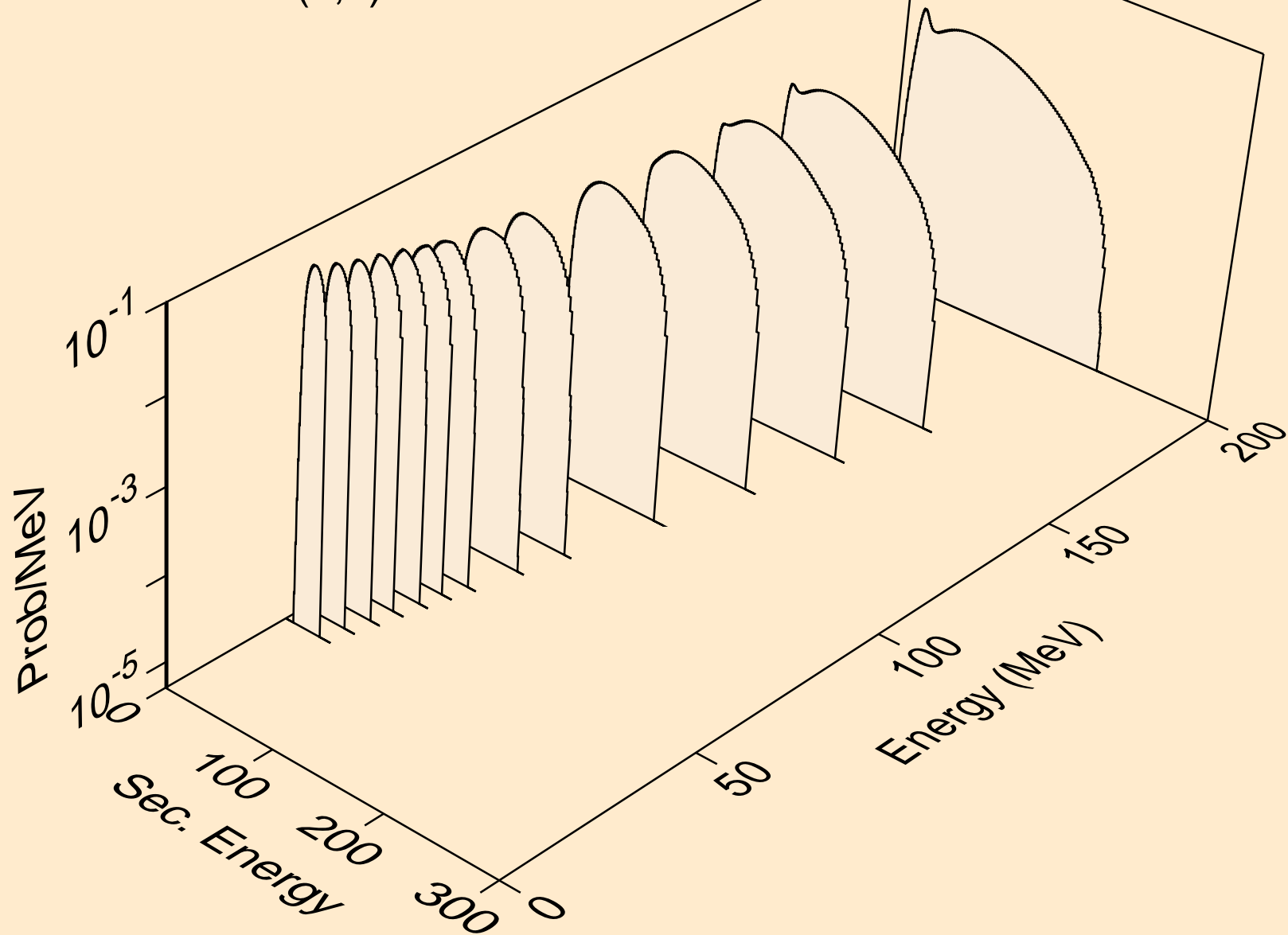
AC236 HELION ACER TENDL-2021 LIBRARY; T=0.K  
deuterons from (s,d)



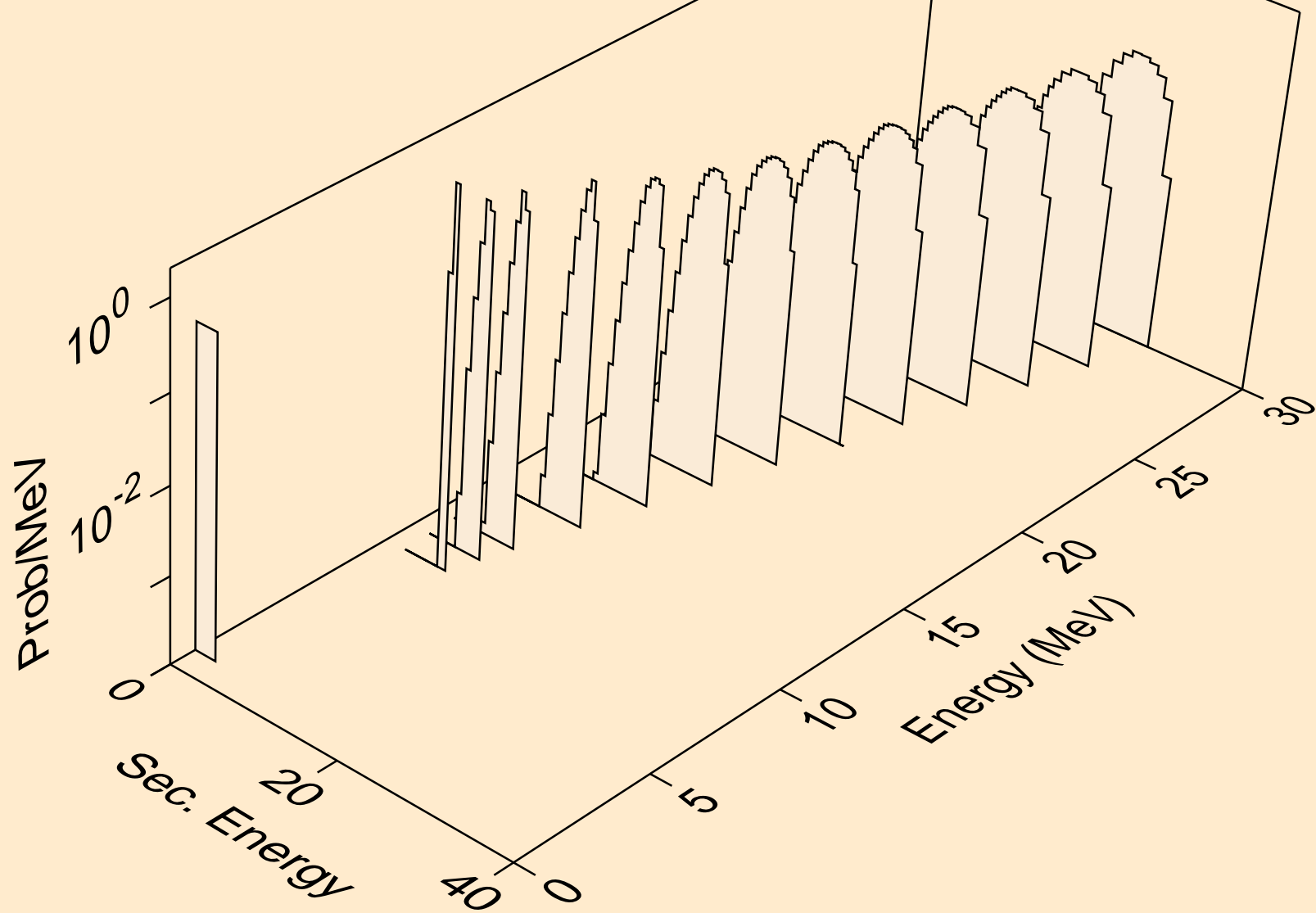
AC236 HELION ACER TENDL-2021 LIBRARY; T=0.K  
deuterons from (s,pd)



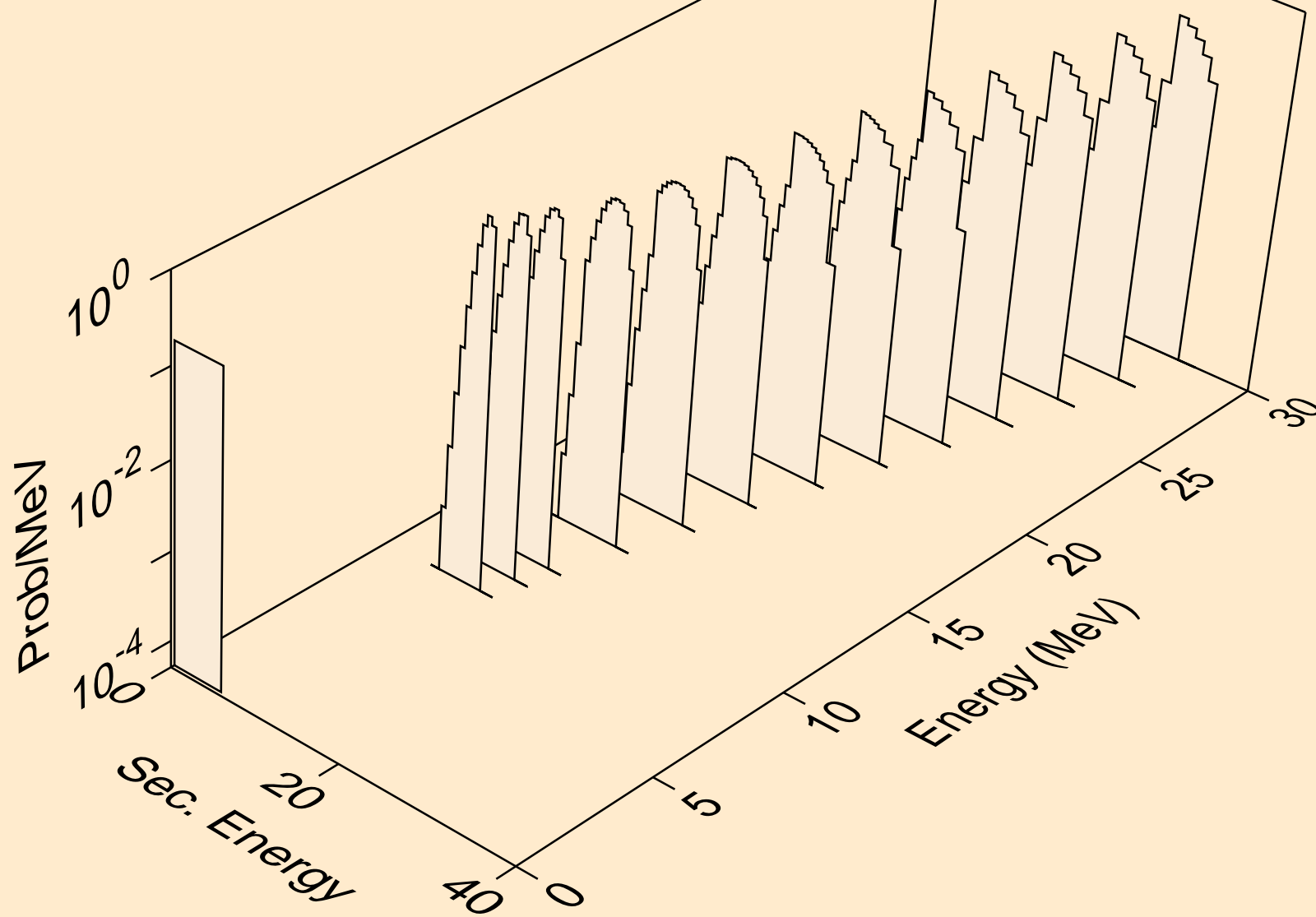
AC236 HELION ACER TENDL-2021 LIBRARY; T=0.K  
tritons from (s,x)



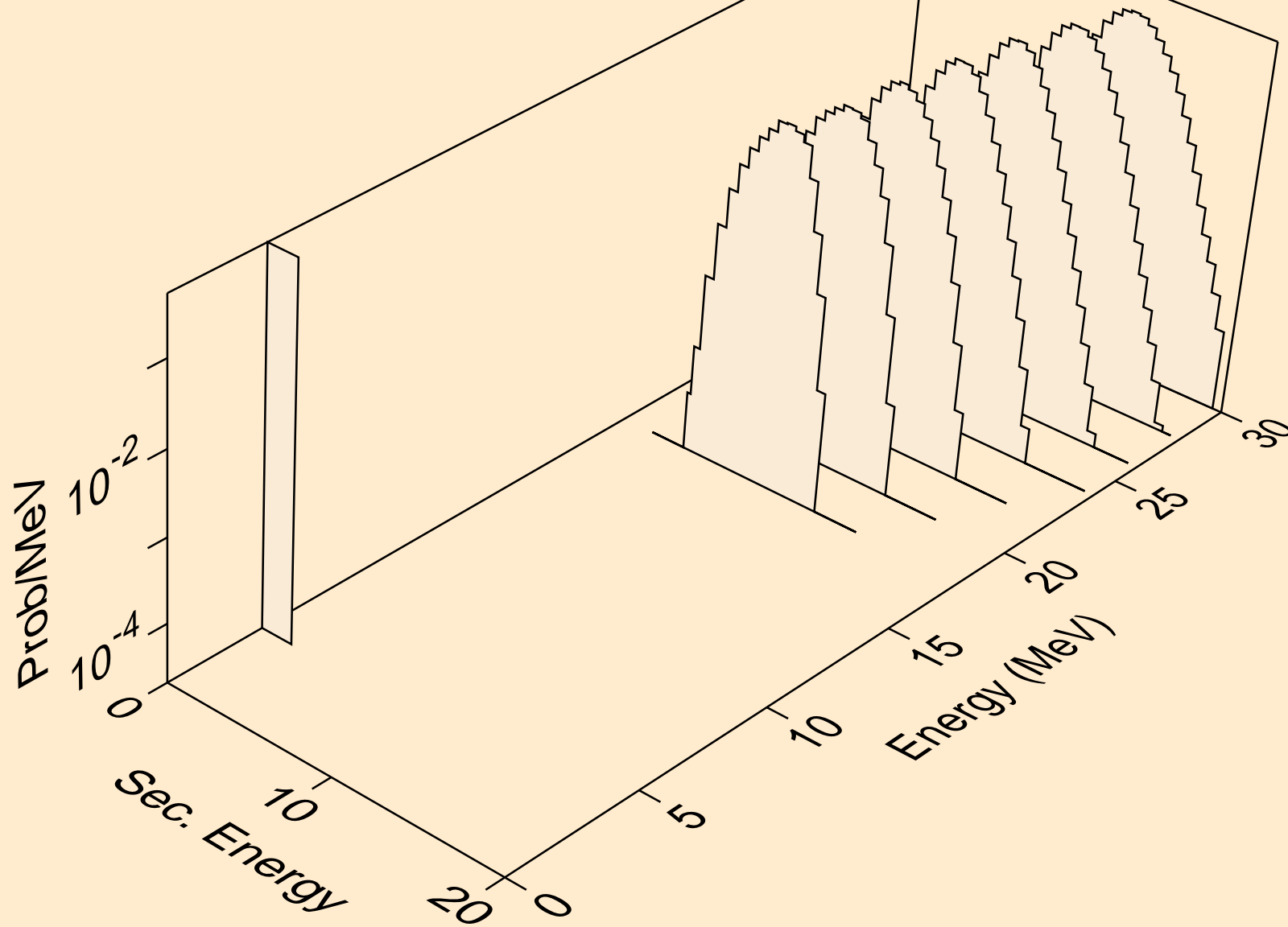
AC236 HELION ACER TENDL-2021 LIBRARY; T=0.K  
tritons from (s,n\*)t



AC236 HELION ACER TENDL-2021 LIBRARY; T=0.K  
tritons from (s,t)

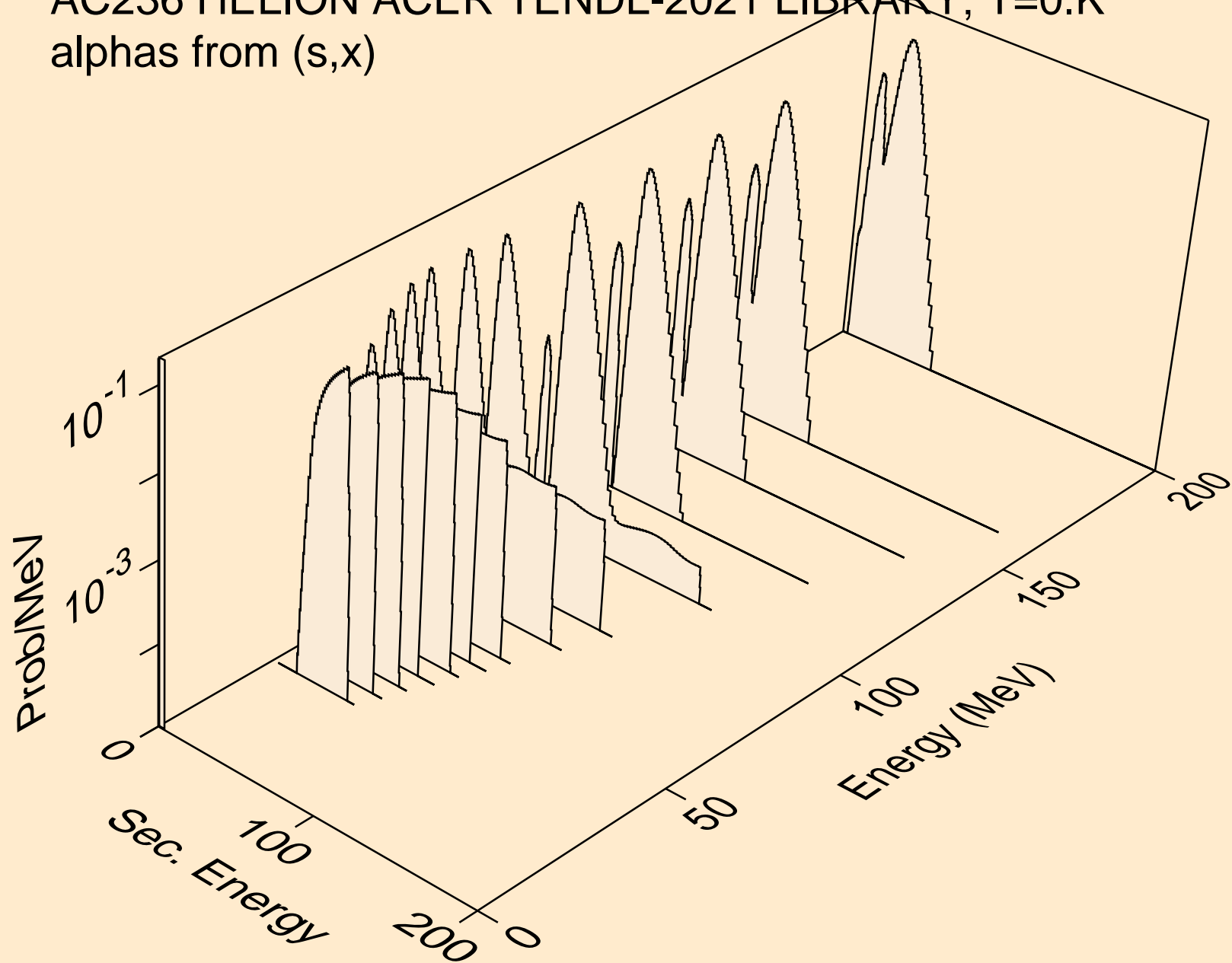


AC236 HELION ACER TENDL-2021 LIBRARY; T=0.K  
tritons from (s,pt)

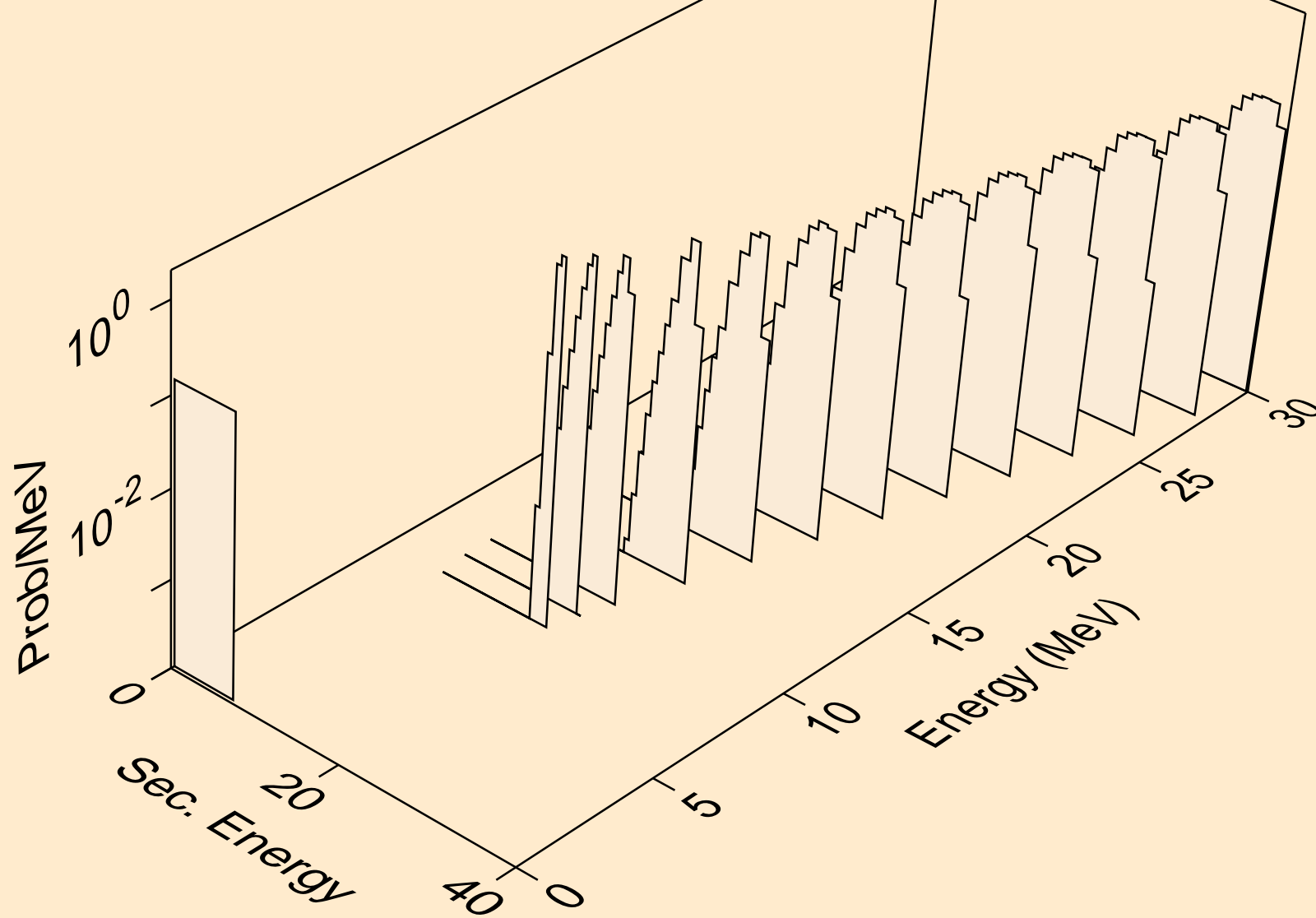




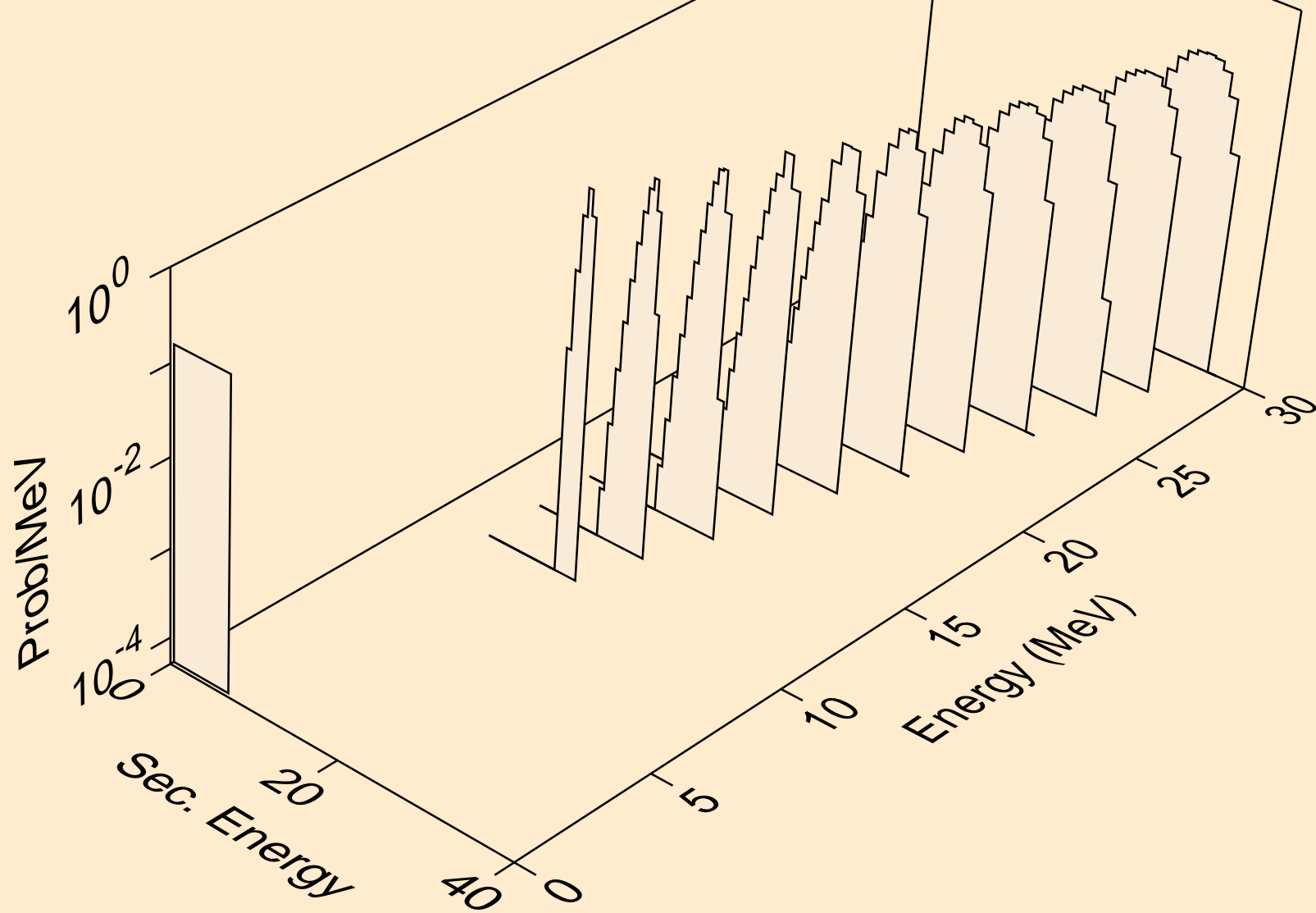
AC236 HELION ACER TENDL-2021 LIBRARY; T=0.K  
alphas from (s,x)



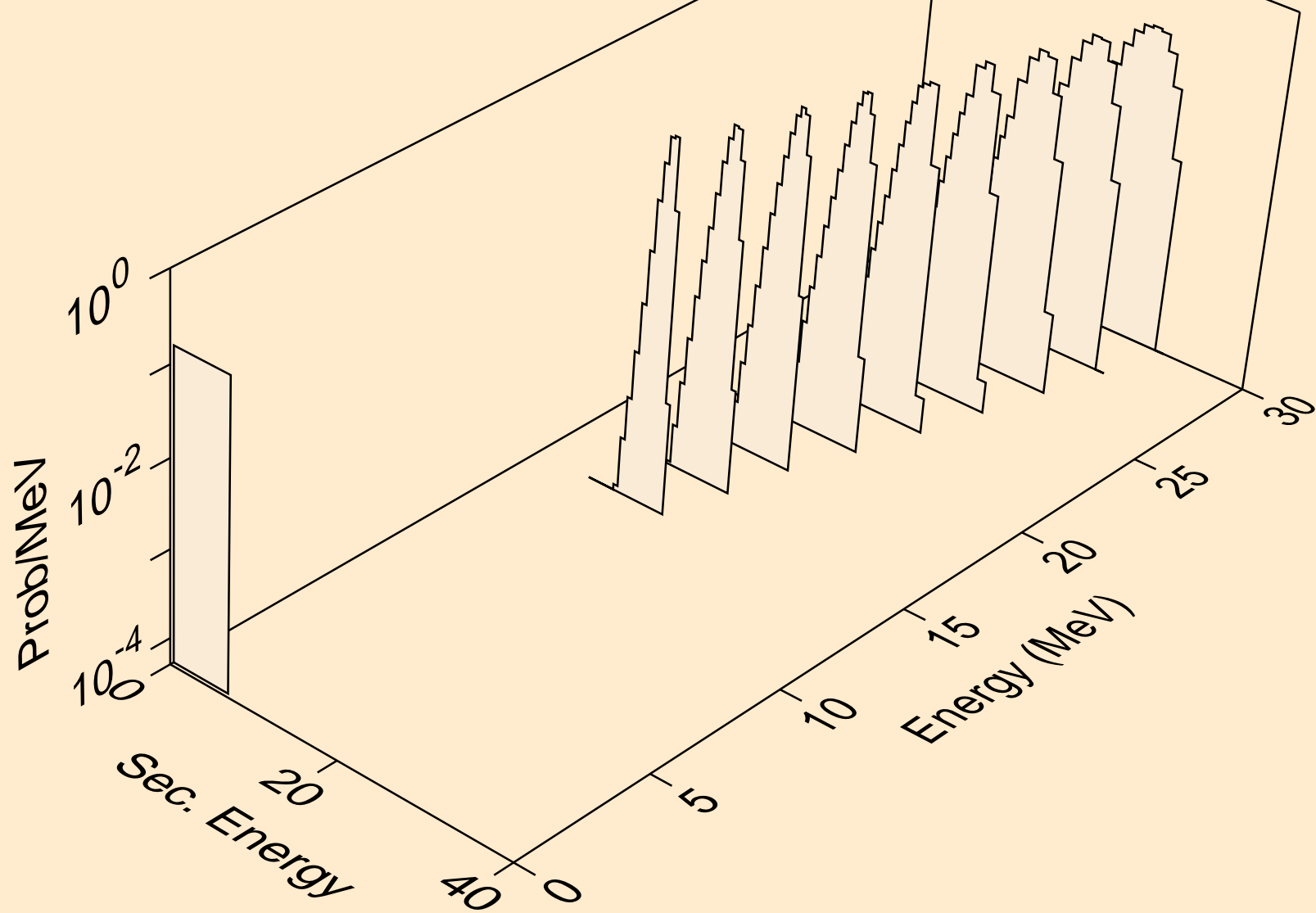
AC236 HELION ACER TENDL-2021 LIBRARY; T=0.K  
alphas from (s,n\*)a



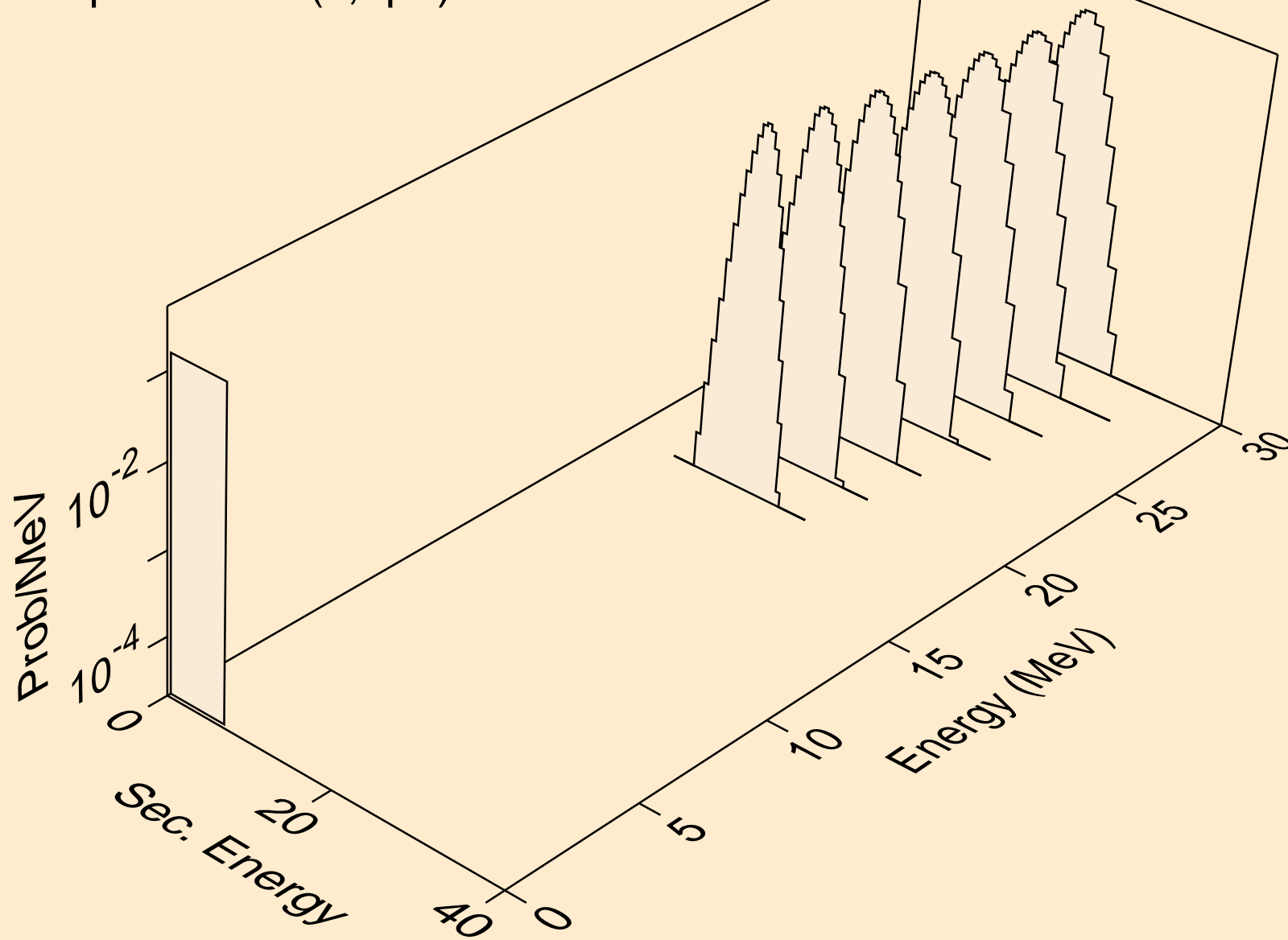
AC236 HELION ACER TENDL-2021 LIBRARY; T=0.K  
alphas from (s,2n)a



AC236 HELION ACER TENDL-2021 LIBRARY; T=0.K  
alphas from (s,3n)a



AC236 HELION ACER TENDL-2021 LIBRARY; T=0.K  
alphas from (s,npa)



AC236 HELION ACER TENDL-2021 LIBRARY; T=0.K  
alphas from (s,a)

