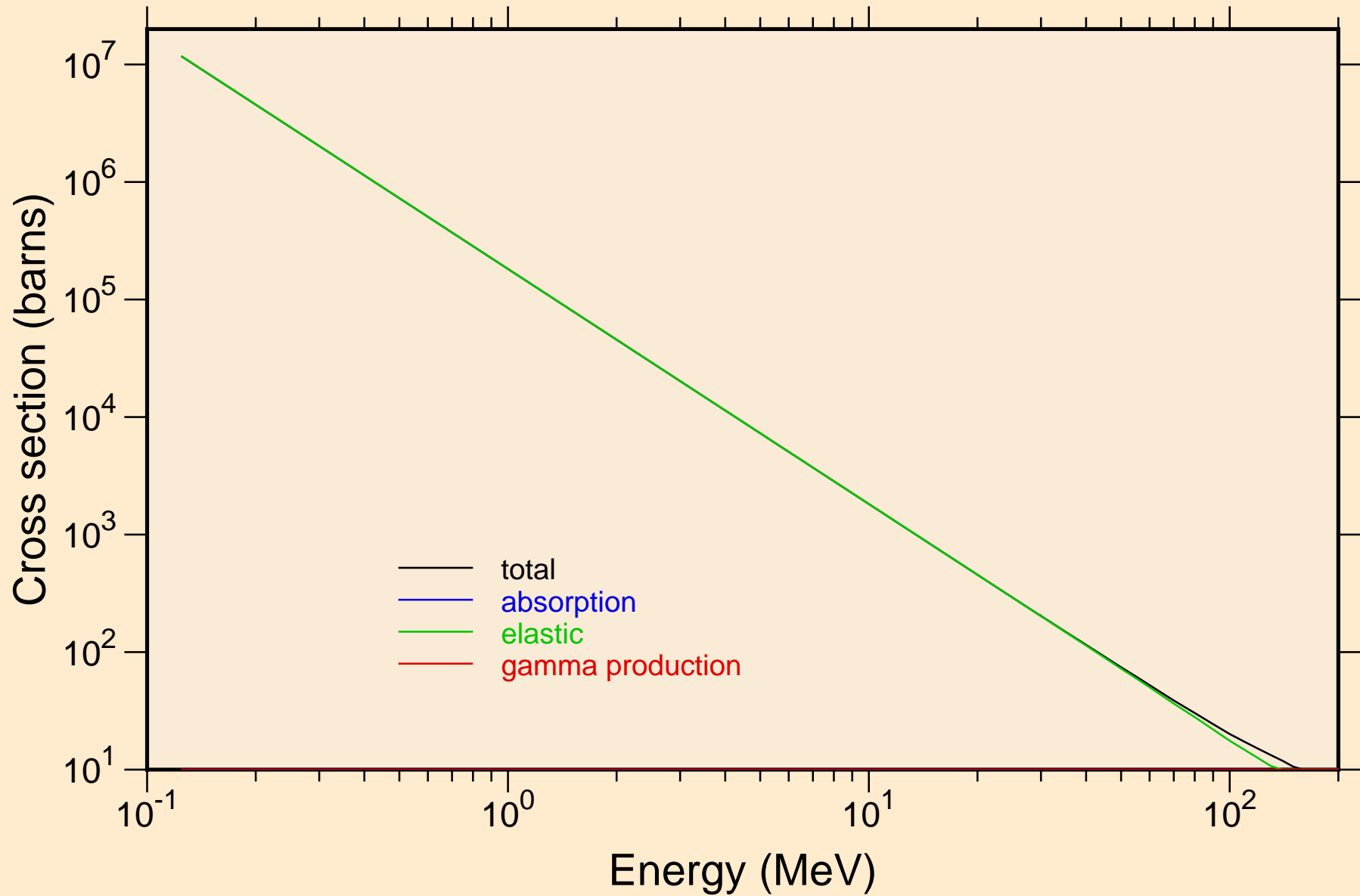
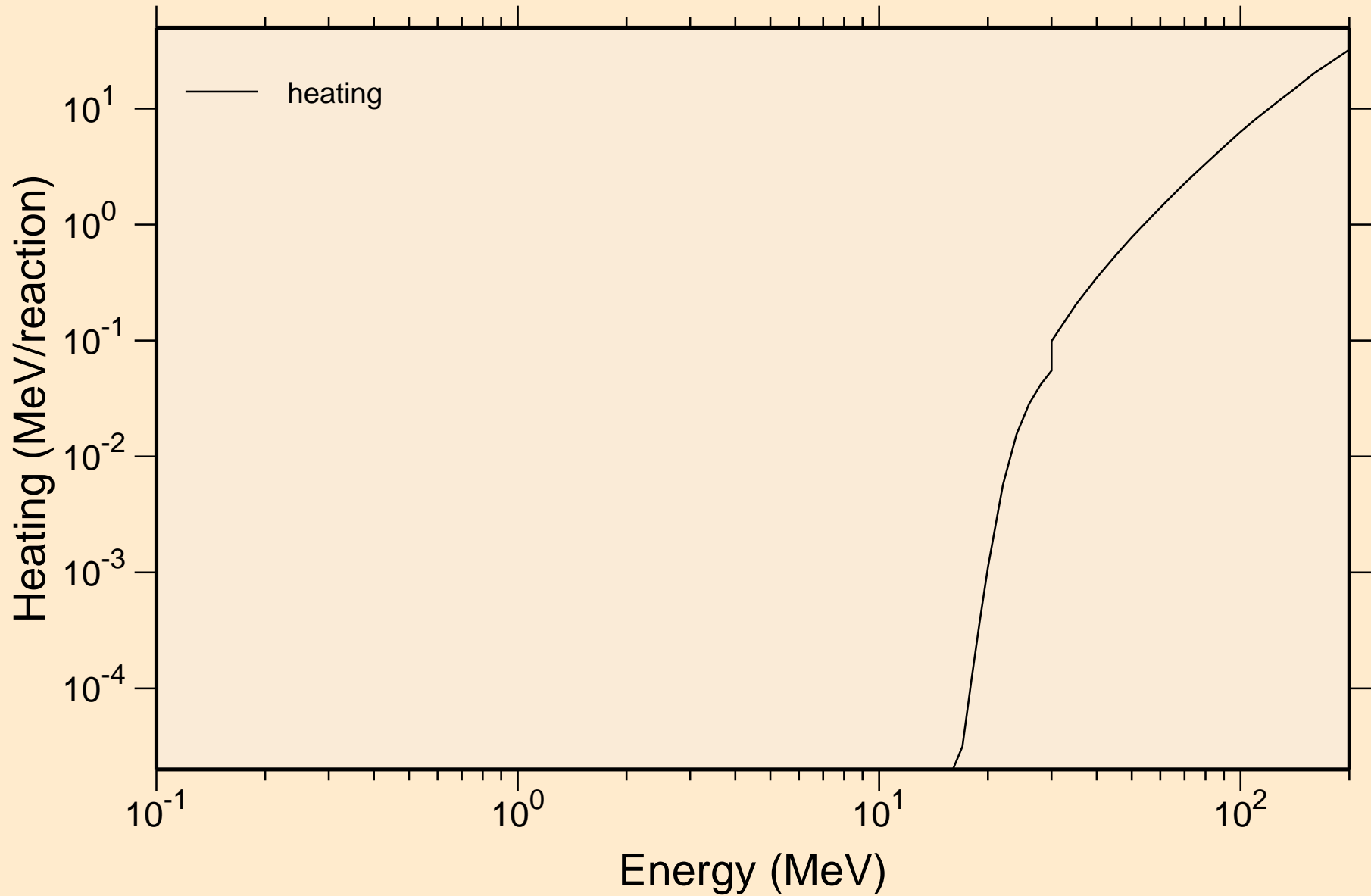


AT227 HELION ACER TENDL-2021 LIBRARY; T=0.K  
Principal cross sections



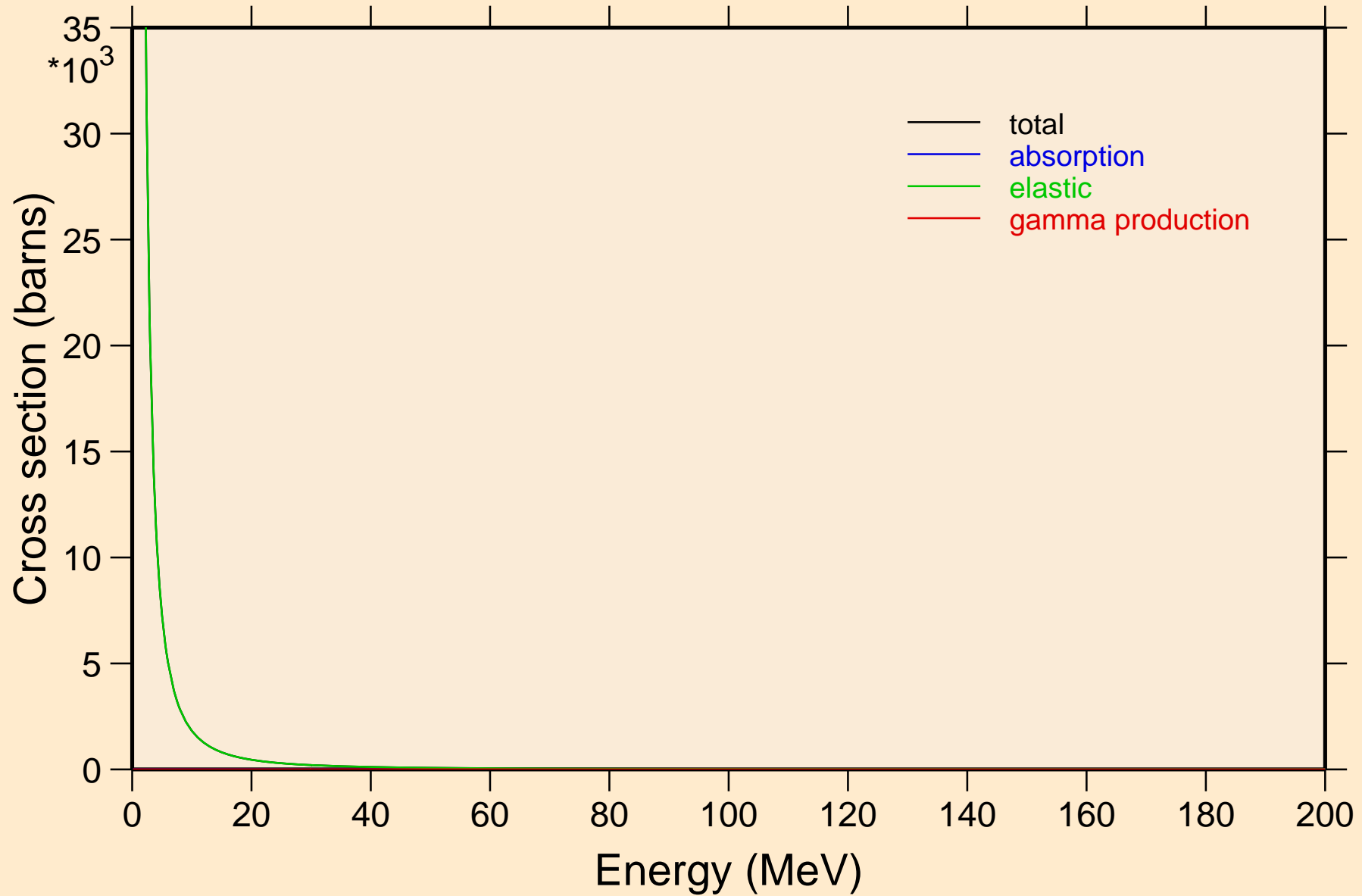
AT227 HELION ACER TENDL-2021 LIBRARY; T=0.K

Heating



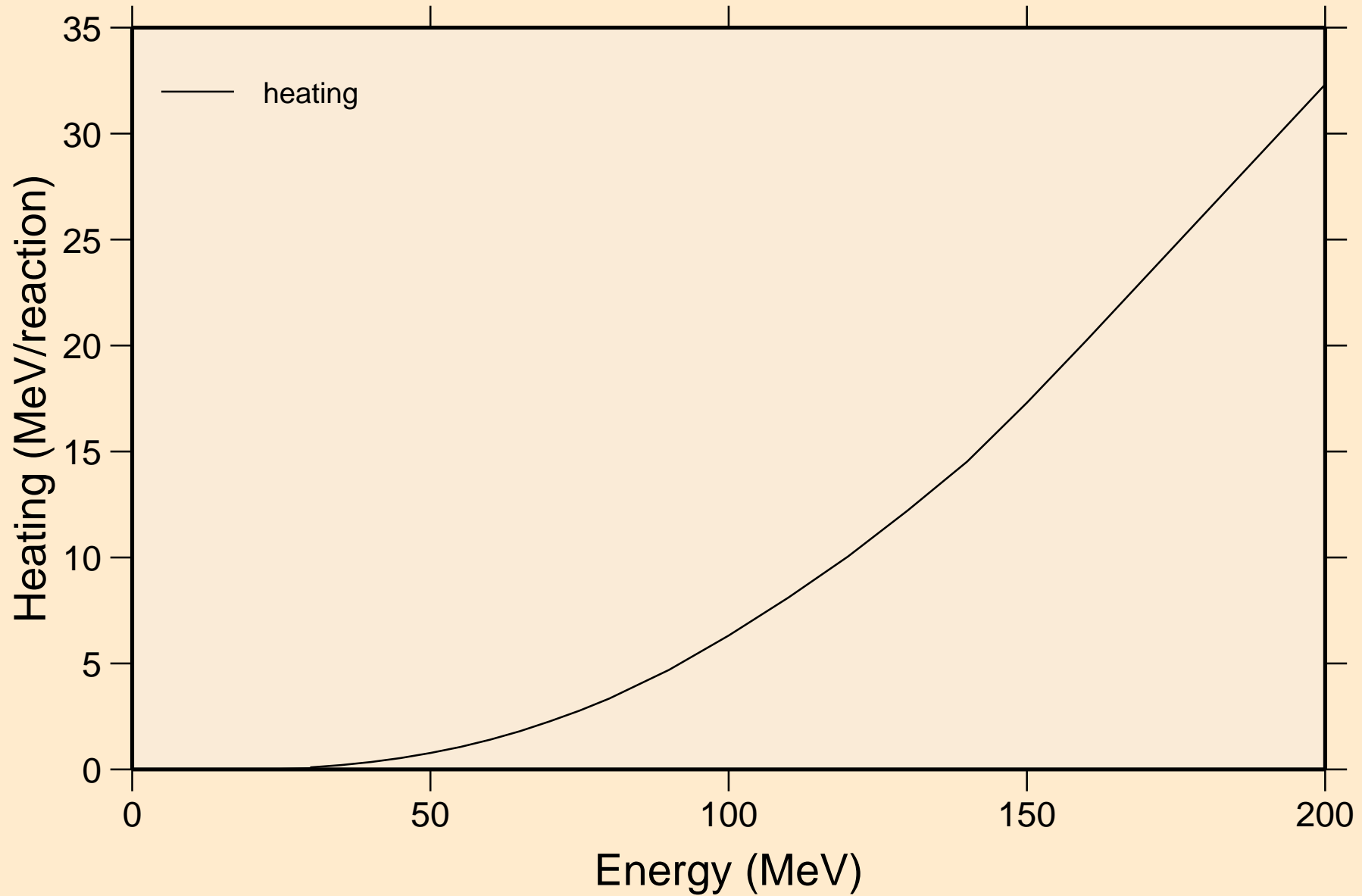
# AT227 HELION ACER TENDL-2021 LIBRARY; T=0.K

## Principal cross sections

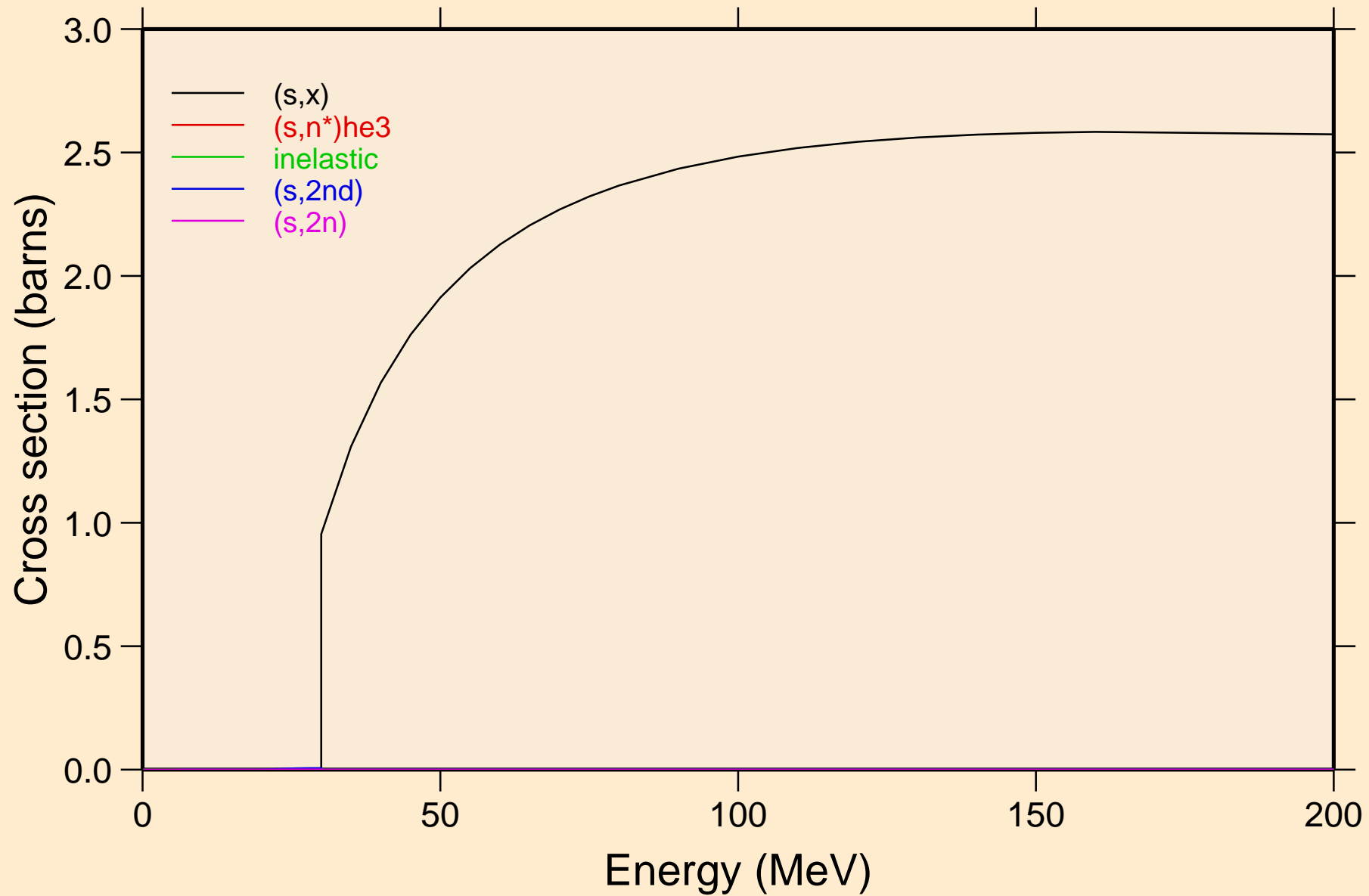


AT227 HELION ACER TENDL-2021 LIBRARY; T=0.K

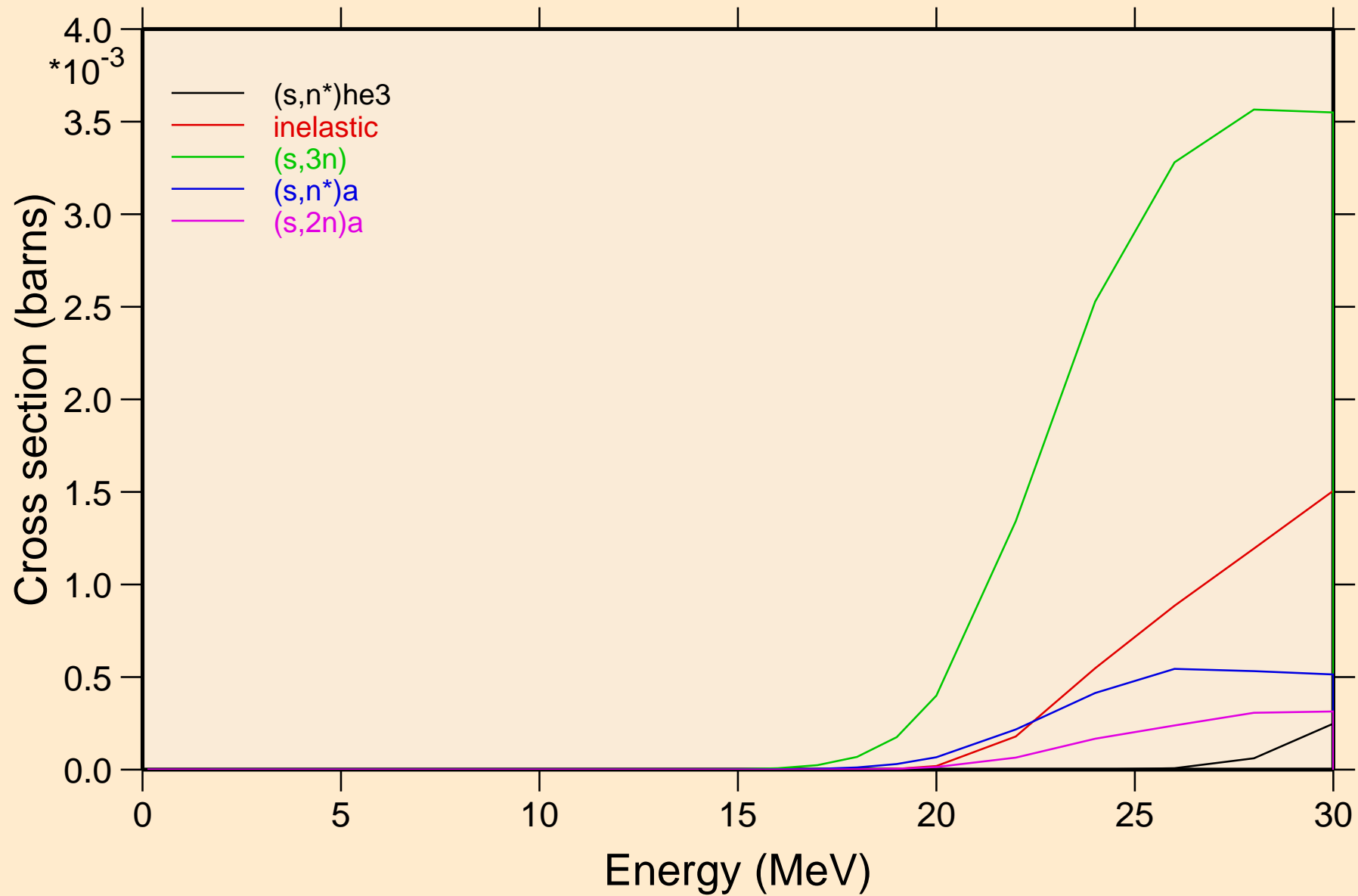
Heating



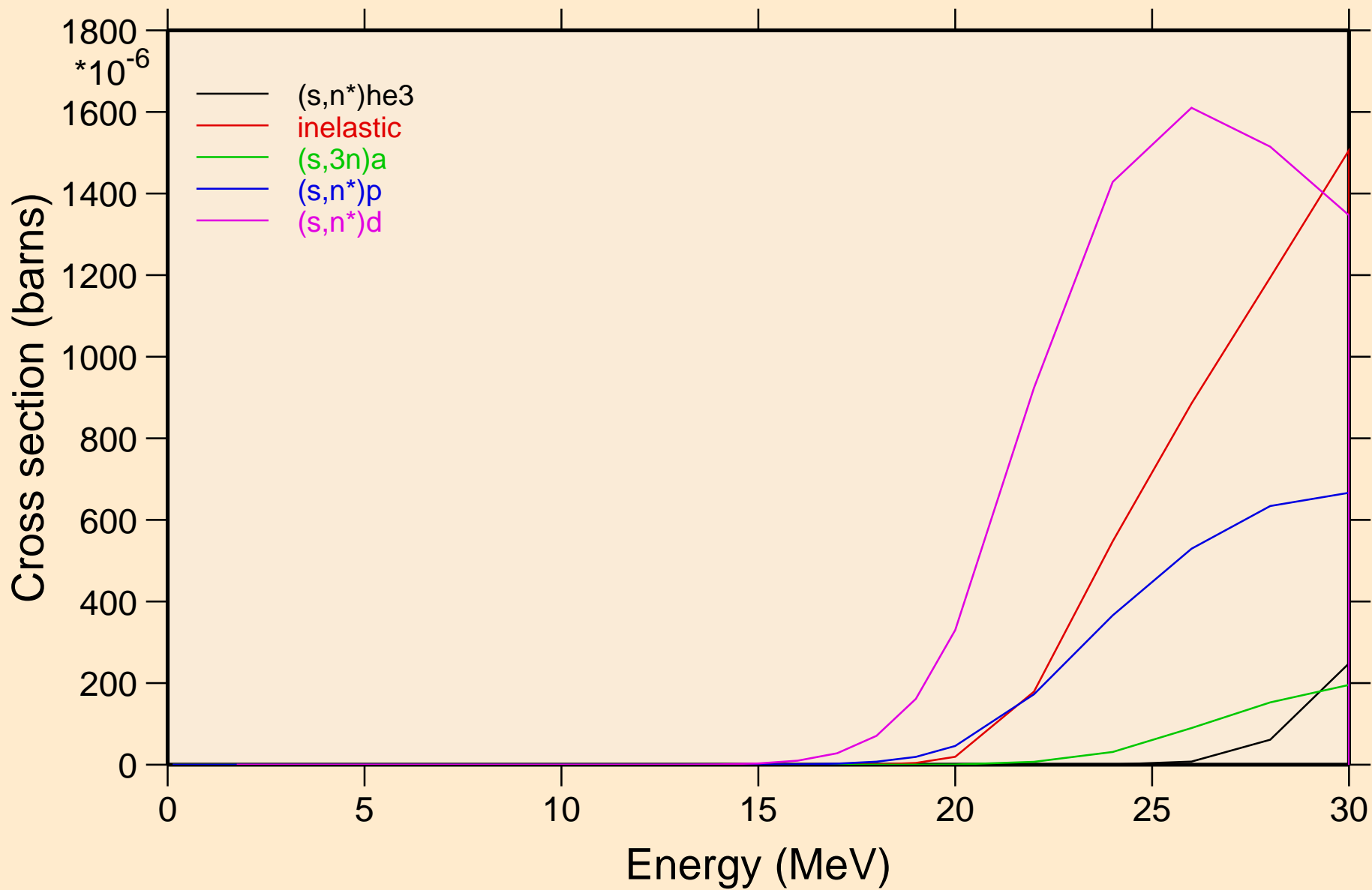
AT227 HELION ACER TENDL-2021 LIBRARY; T=0.K  
Threshold reactions



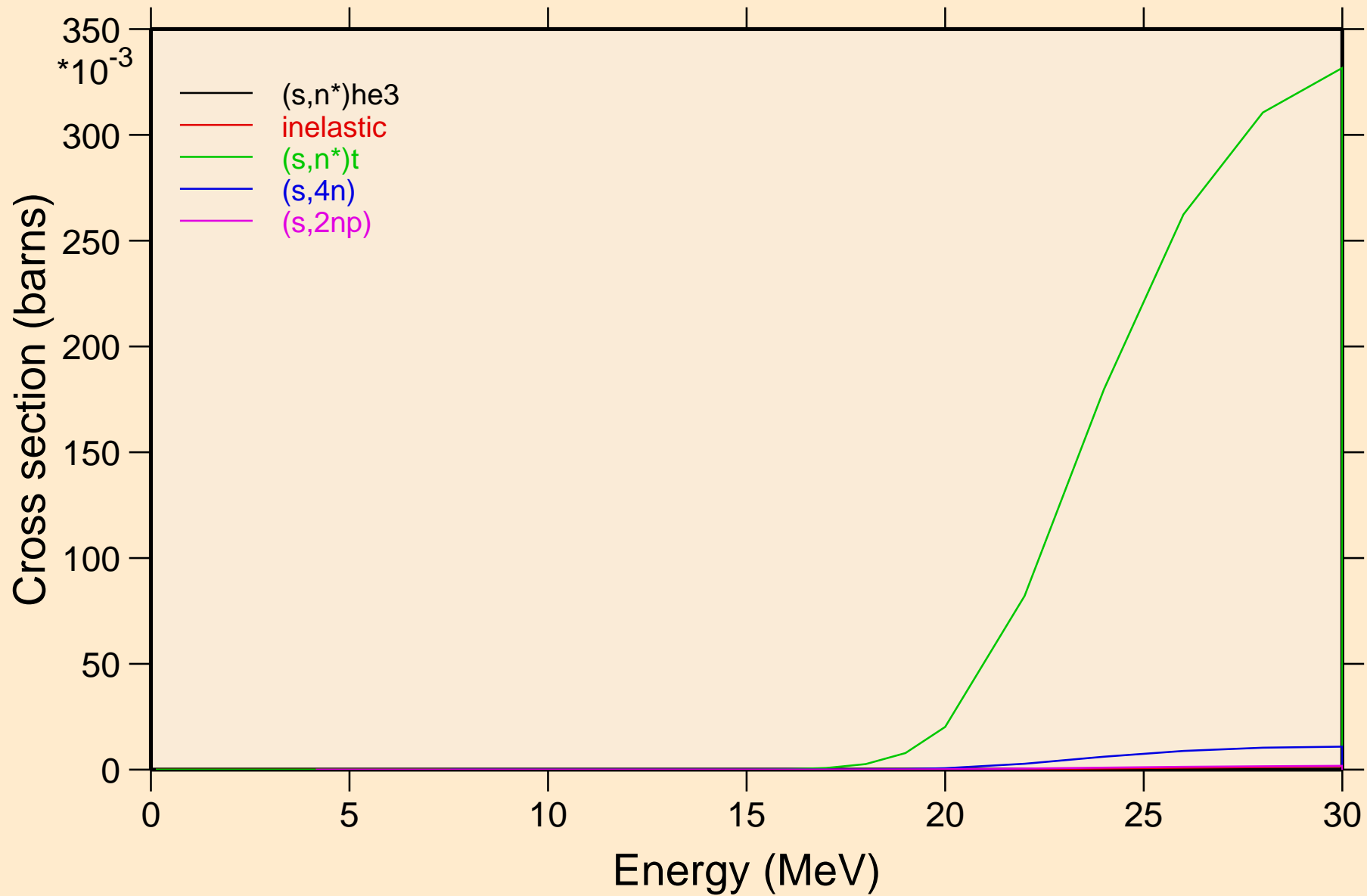
AT227 HELION ACER TENDL-2021 LIBRARY; T=0.K  
Threshold reactions



AT227 HELION ACER TENDL-2021 LIBRARY; T=0.K  
Threshold reactions

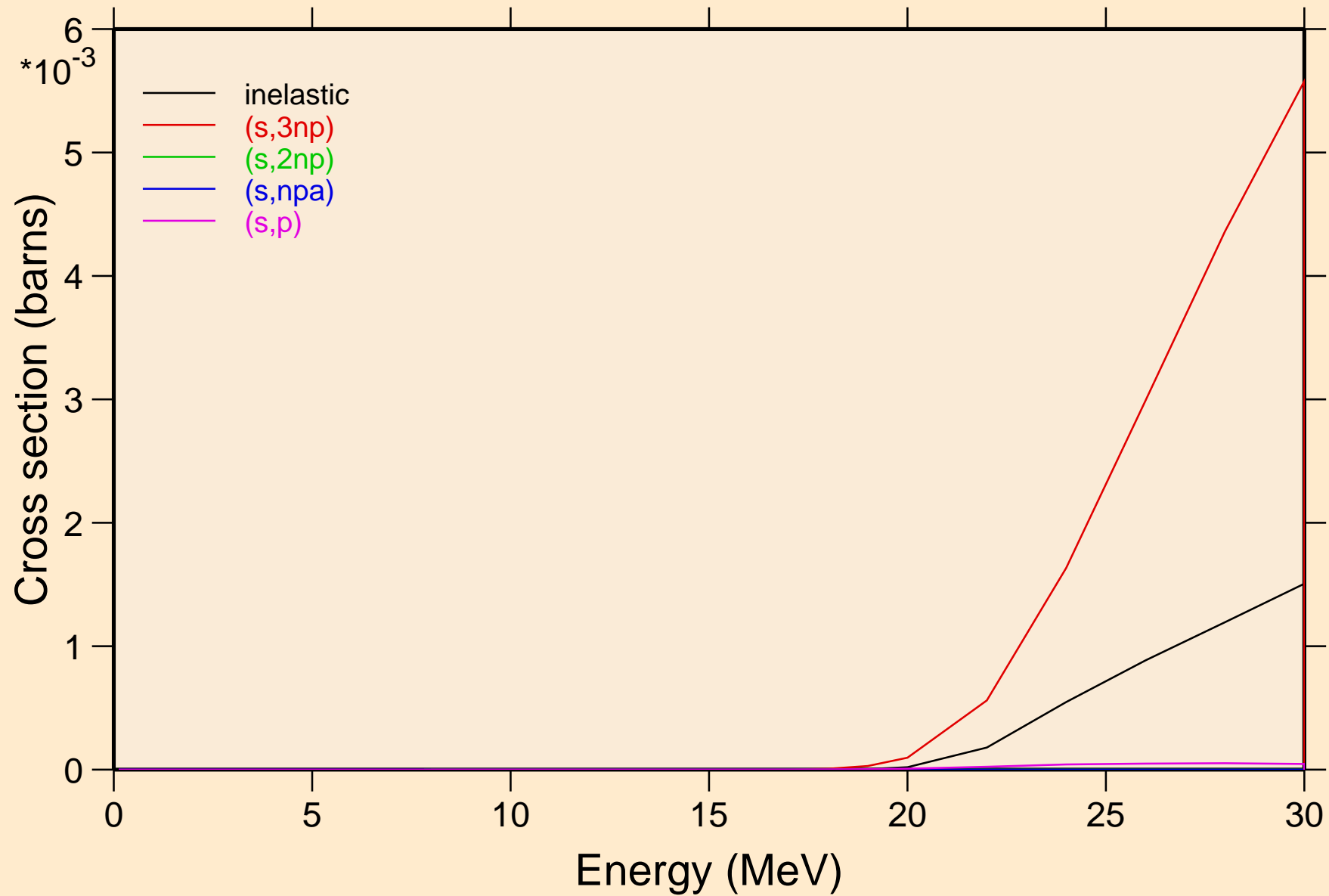


AT227 HELION ACER TENDL-2021 LIBRARY; T=0.K  
Threshold reactions

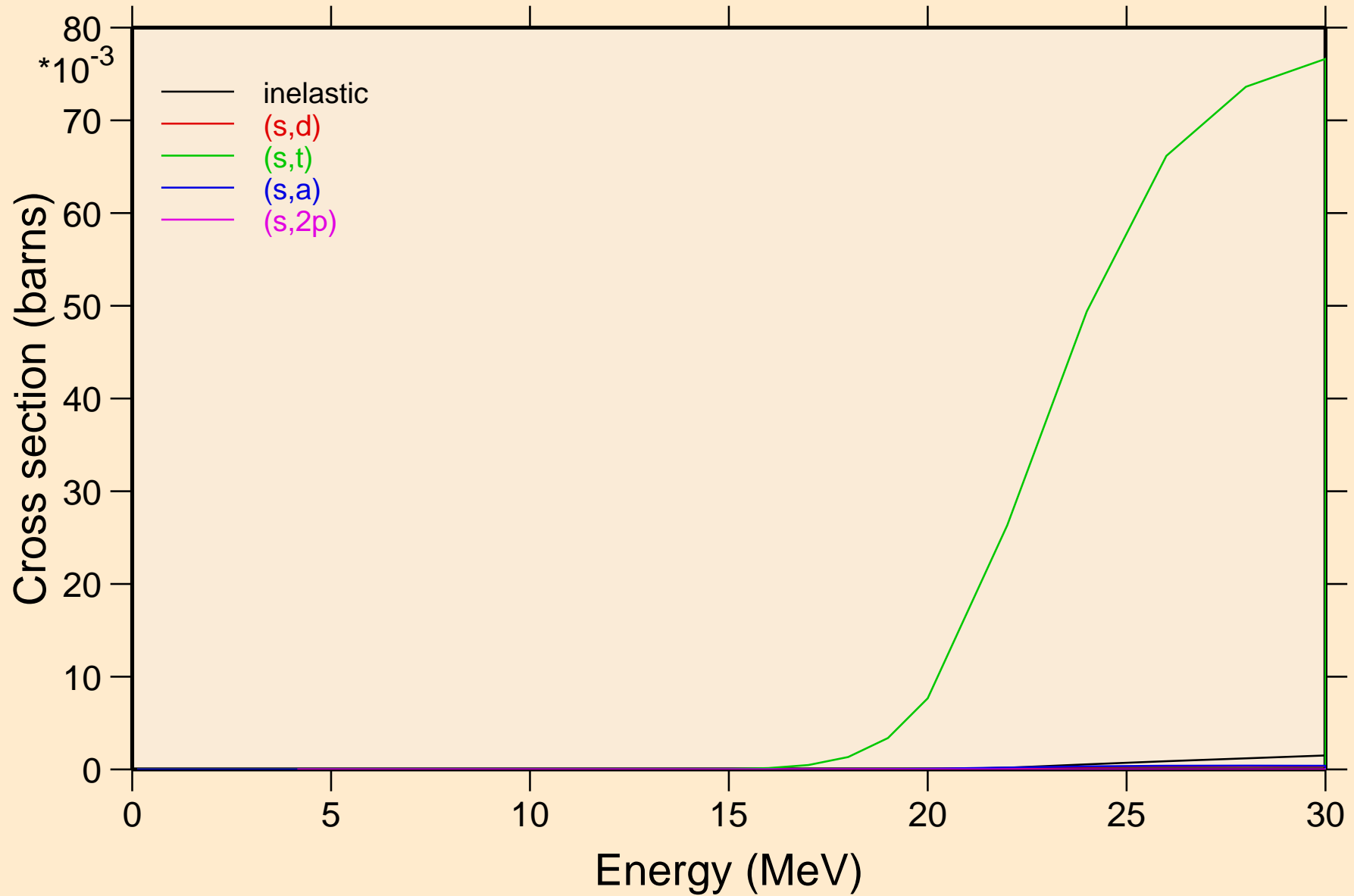




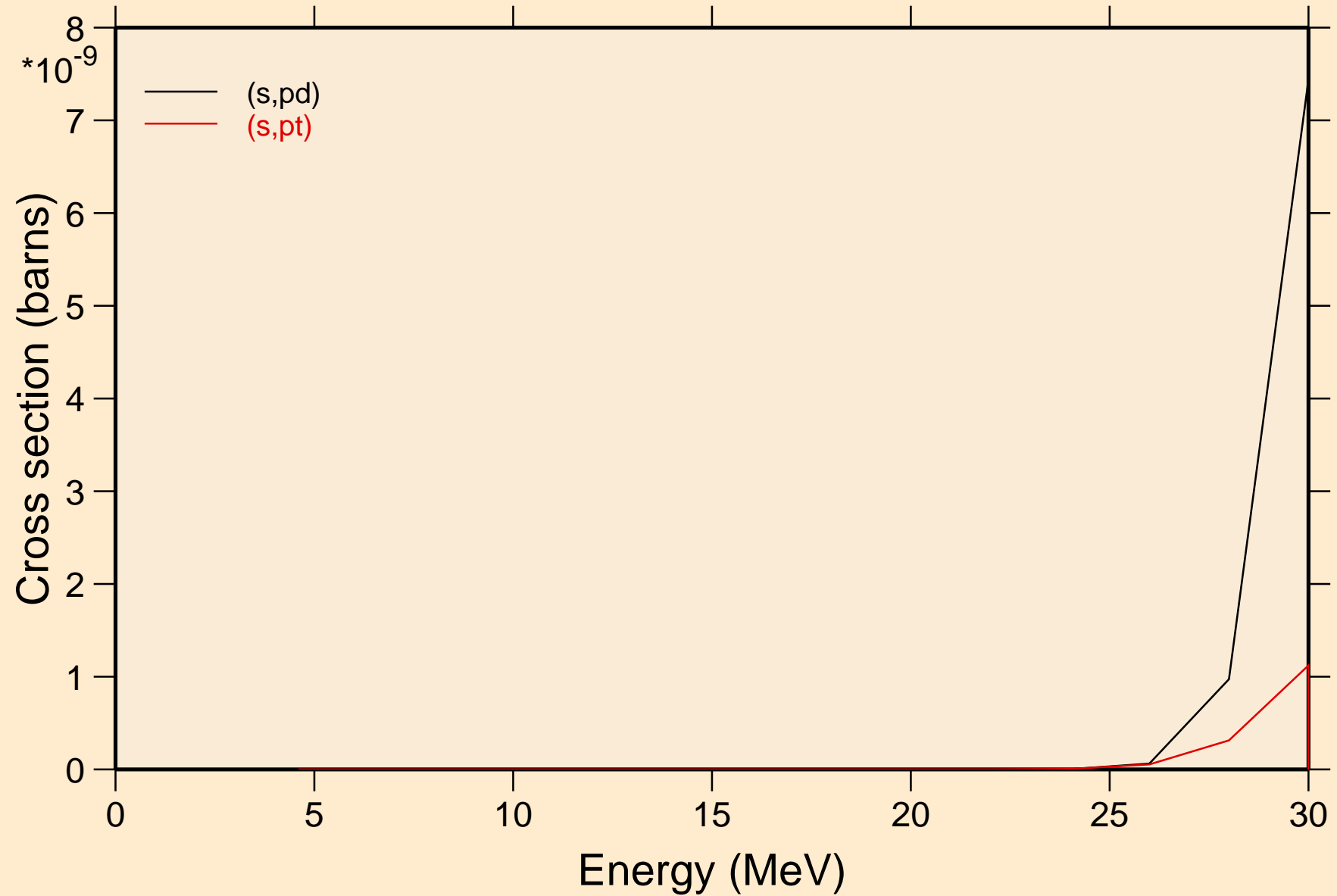
AT227 HELION ACER TENDL-2021 LIBRARY; T=0.K  
Threshold reactions



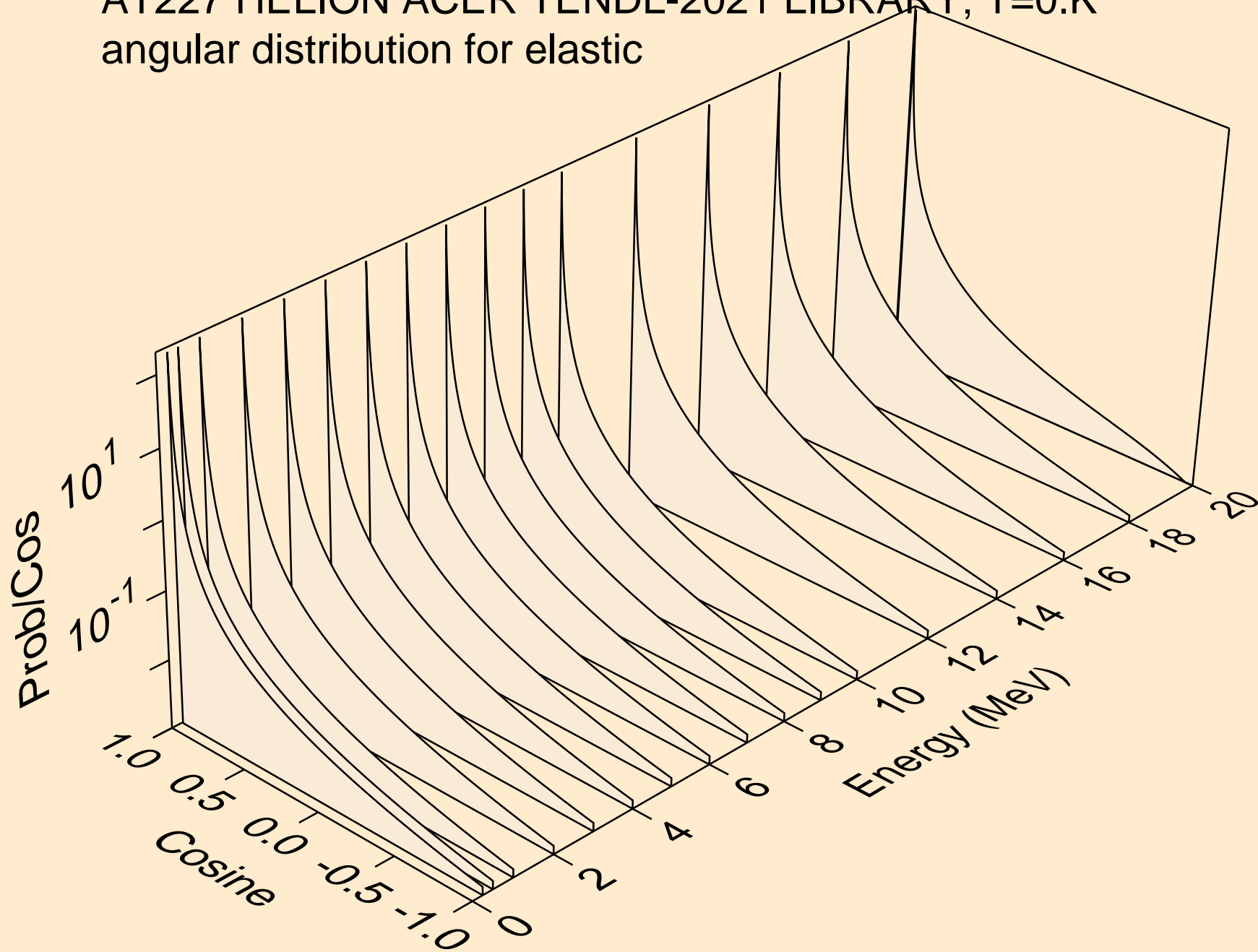
AT227 HELION ACER TENDL-2021 LIBRARY; T=0.K  
Threshold reactions



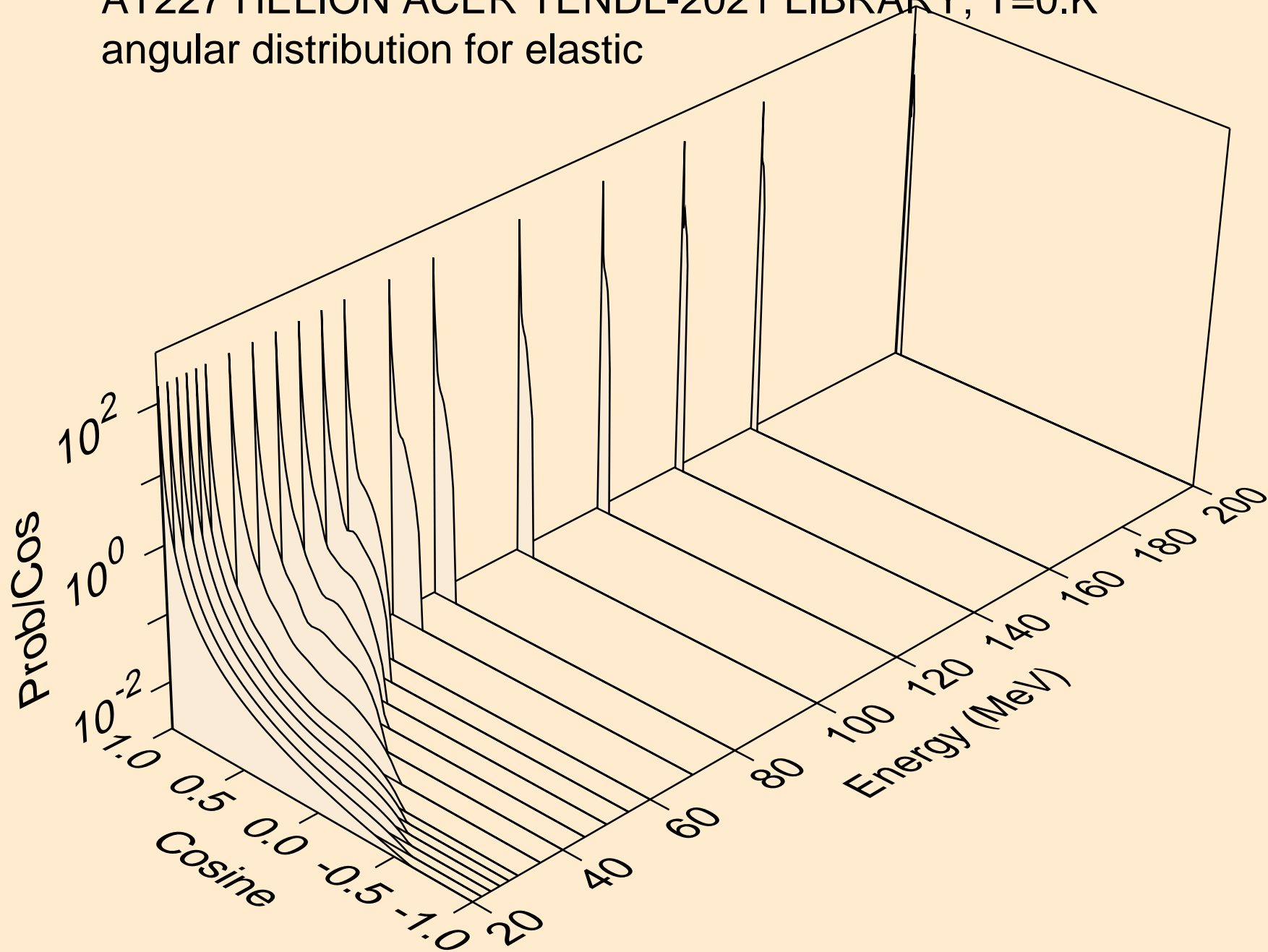
AT227 HELION ACER TENDL-2021 LIBRARY; T=0.K  
Threshold reactions



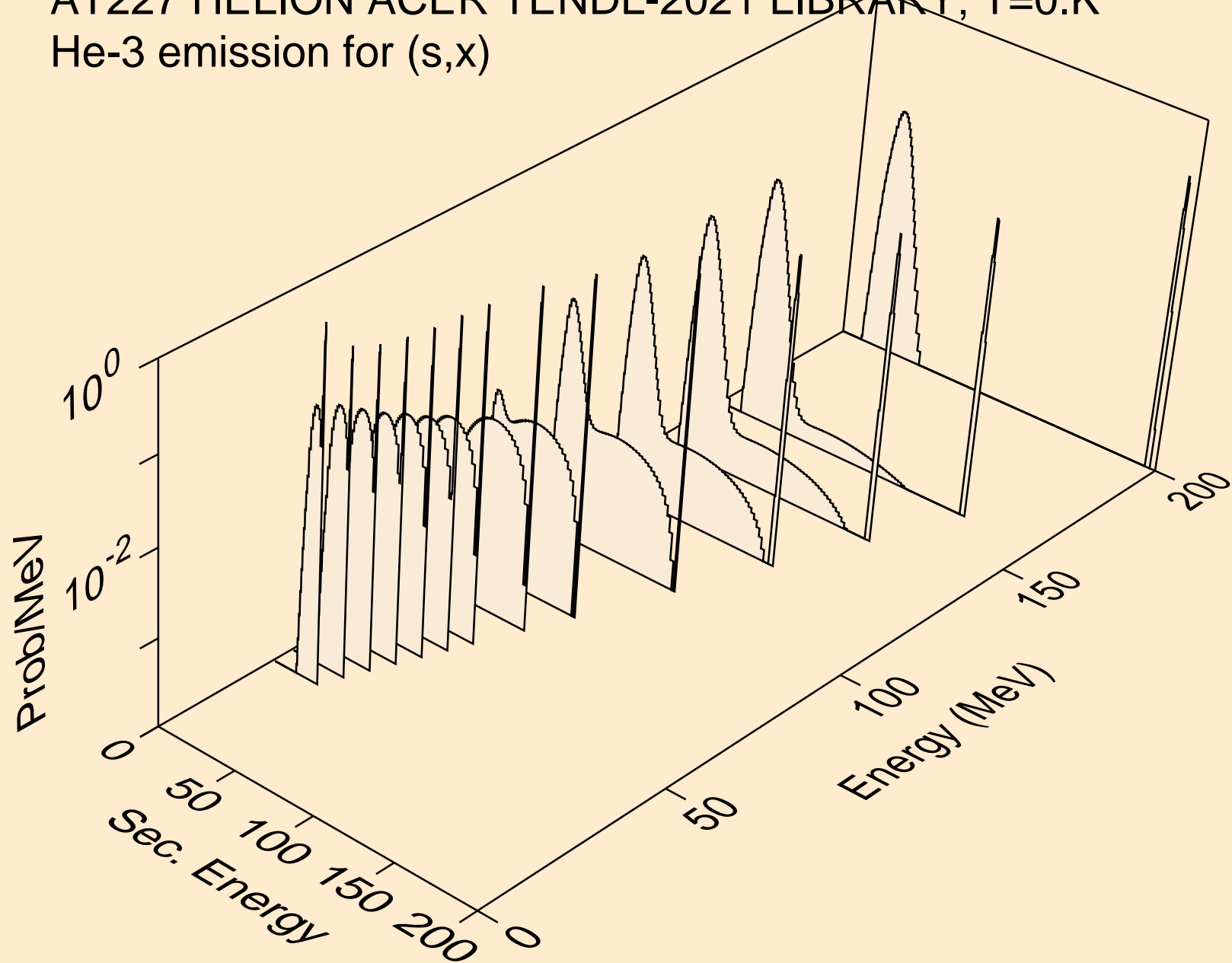
AT227 HELION ACER TENDL-2021 LIBRARY; T=0.K  
angular distribution for elastic



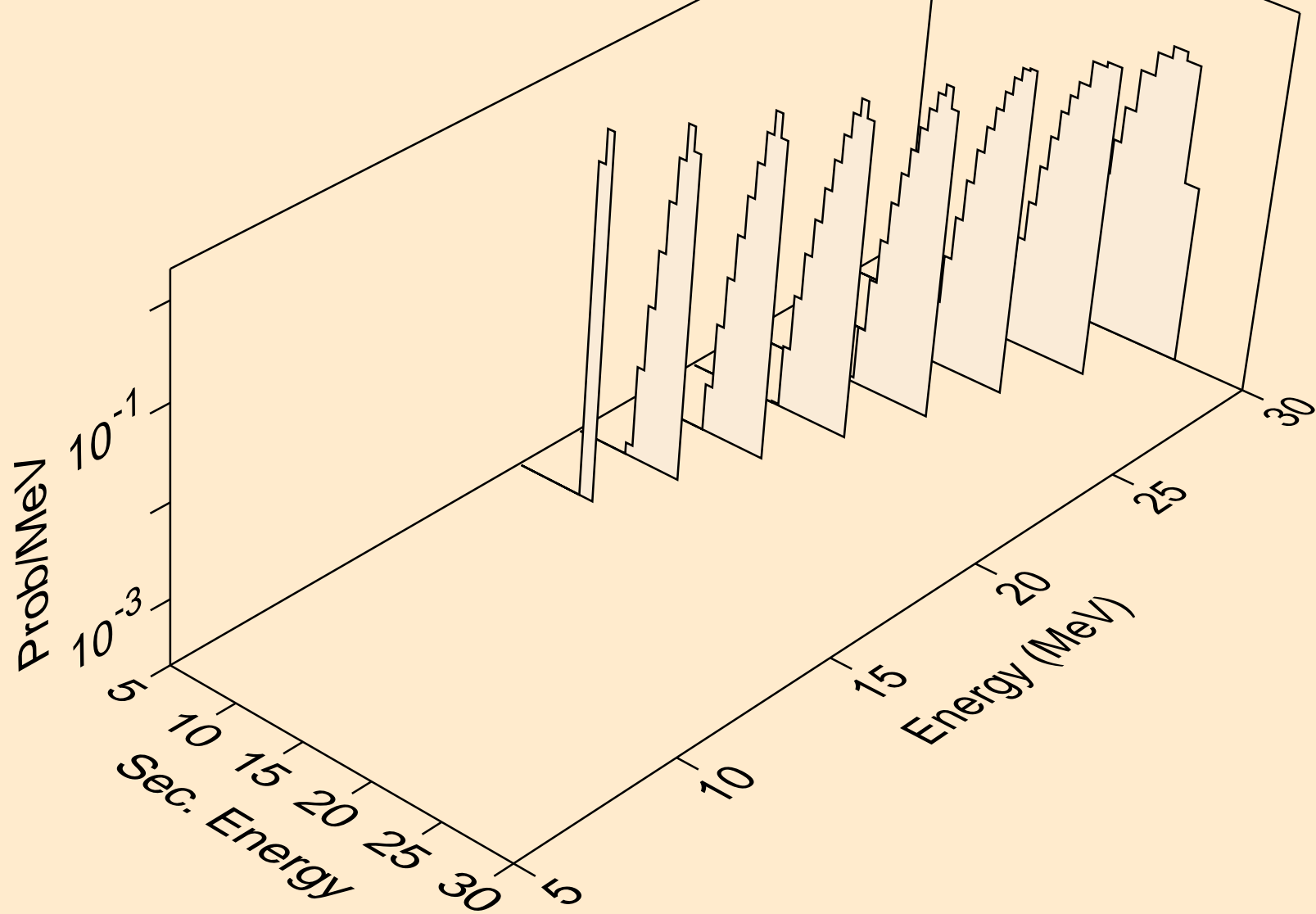
AT227 HELION ACER TENDL-2021 LIBRARY; T=0.K  
angular distribution for elastic



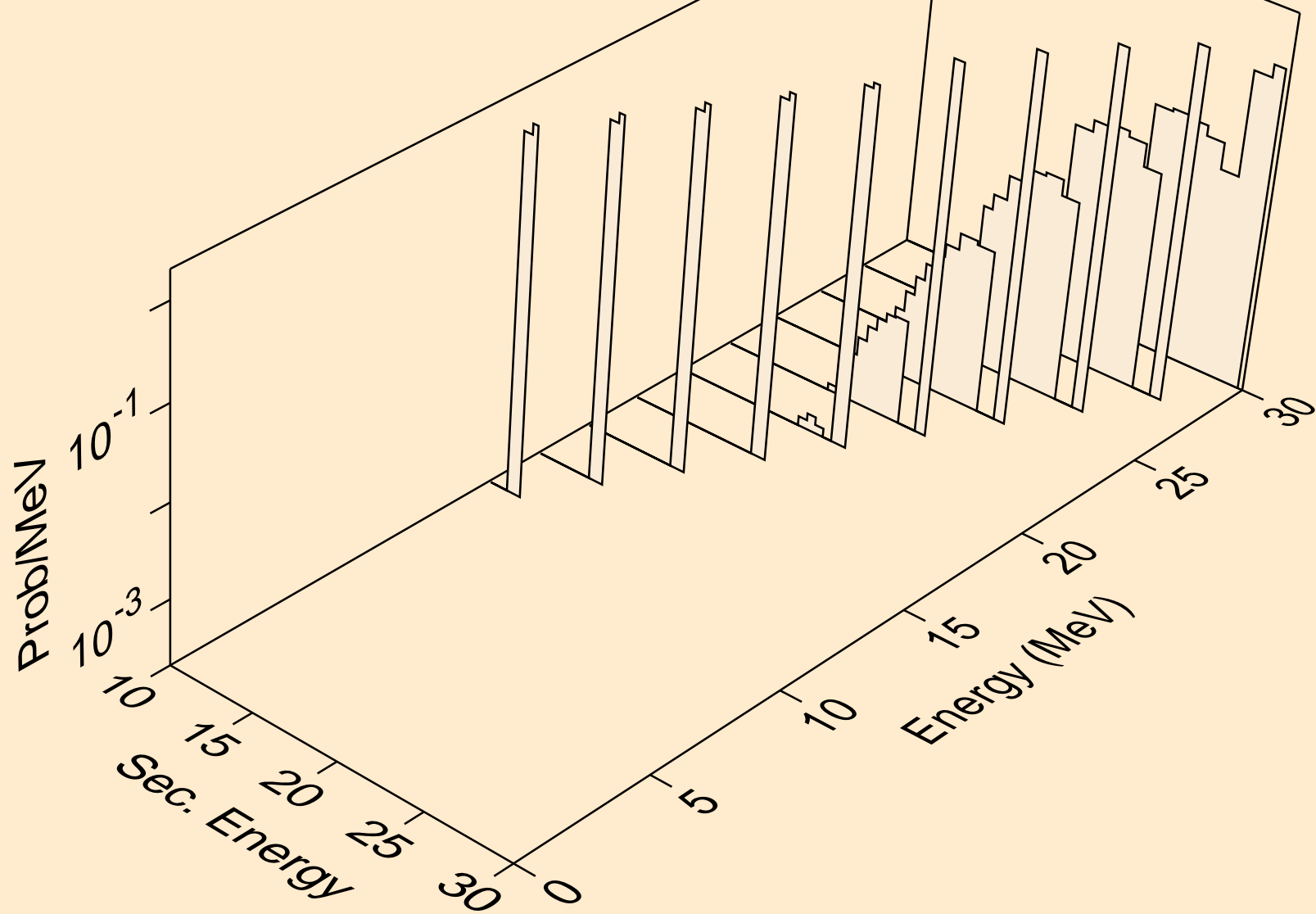
AT227 HELION ACER TENDL-2021 LIBRARY; T=0.K  
He-3 emission for (s,x)



AT227 HELION ACER TENDL-2021 LIBRARY; T=0.K  
He-3 emission for (s,n\*)he3

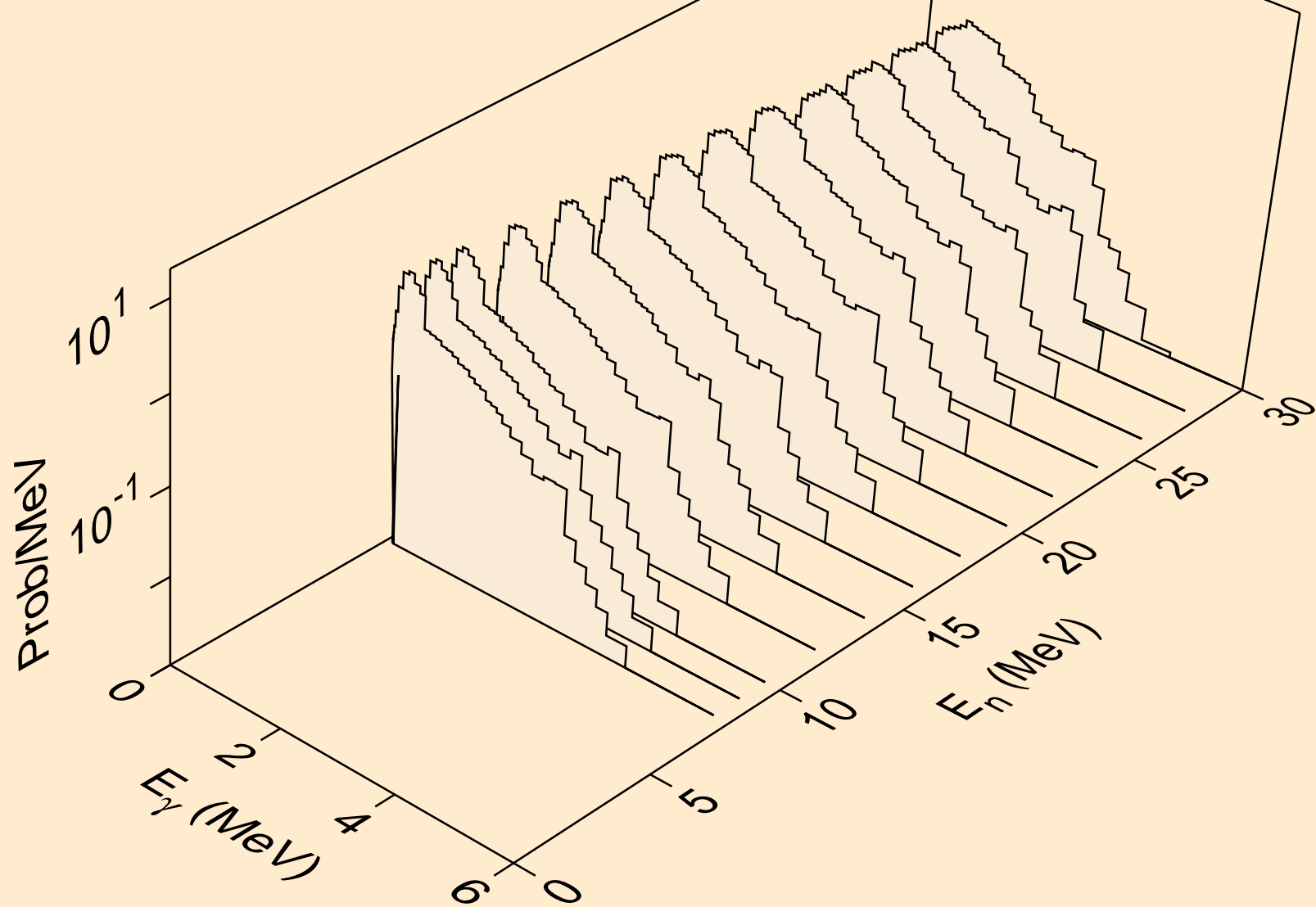


AT227 HELION ACER TENDL-2021 LIBRARY; T=0.K  
He-3 emission for inelastic

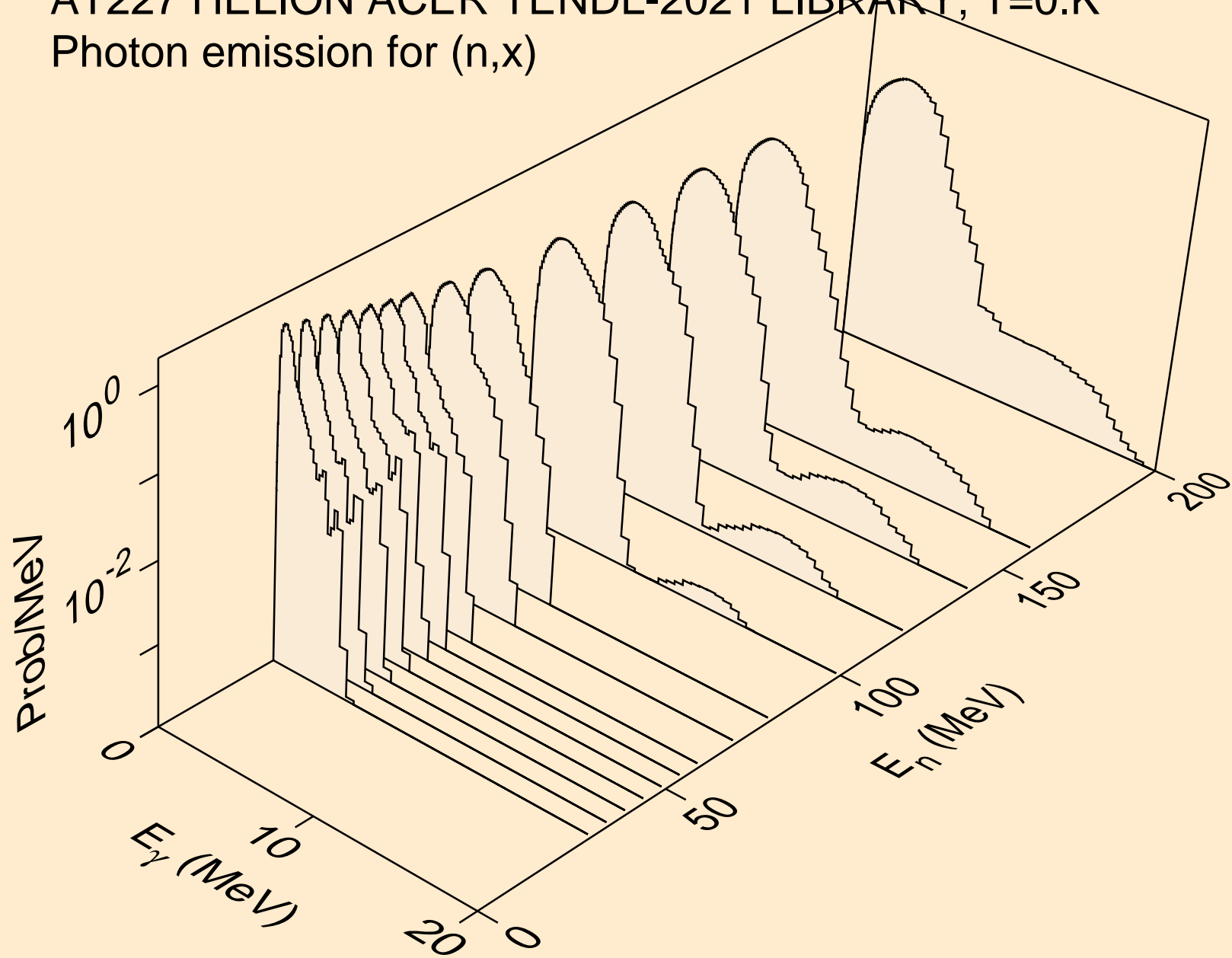




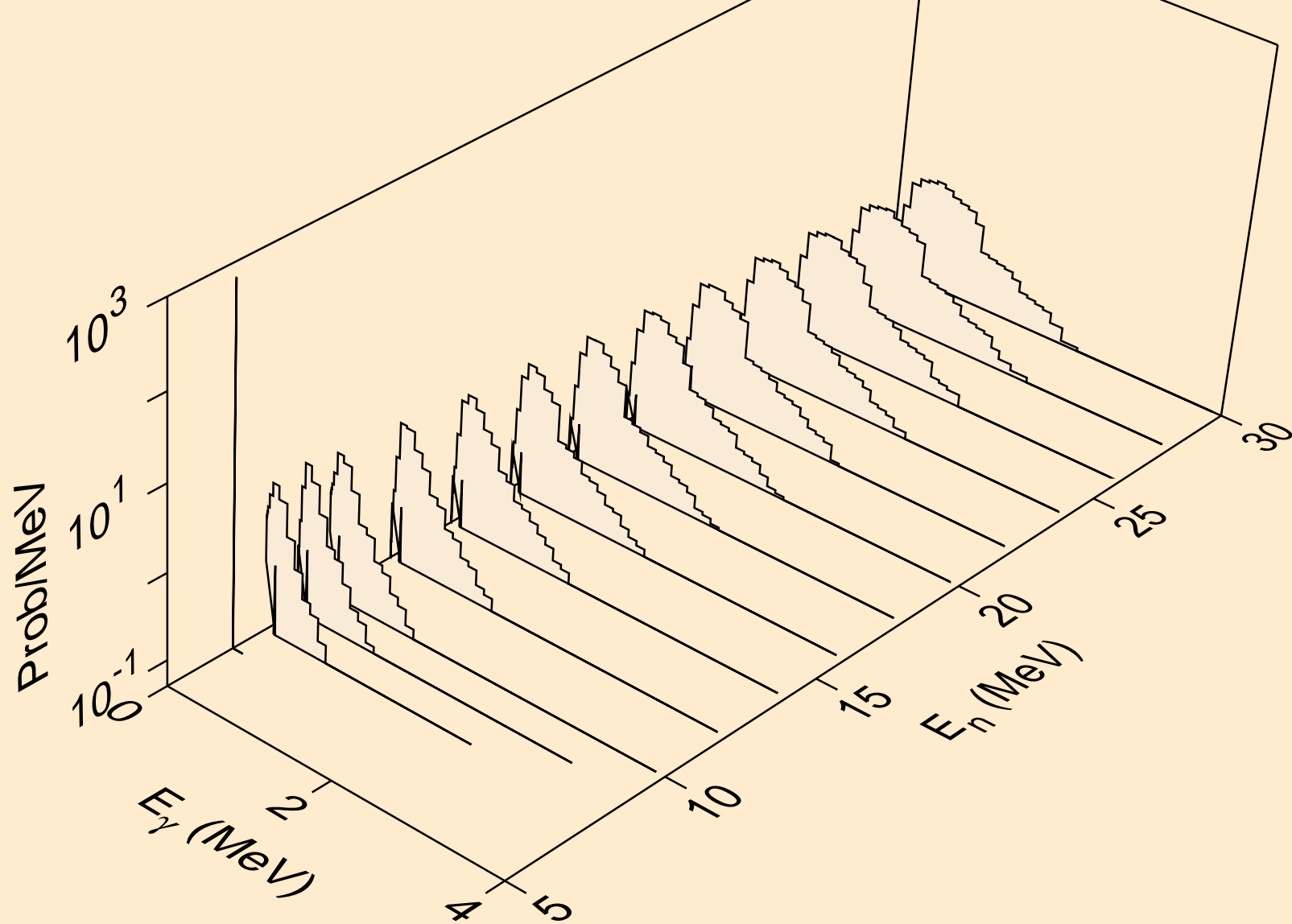
AT227 HELION ACER TENDL-2021 LIBRARY; T=0.K  
Photon emission for (z,n)



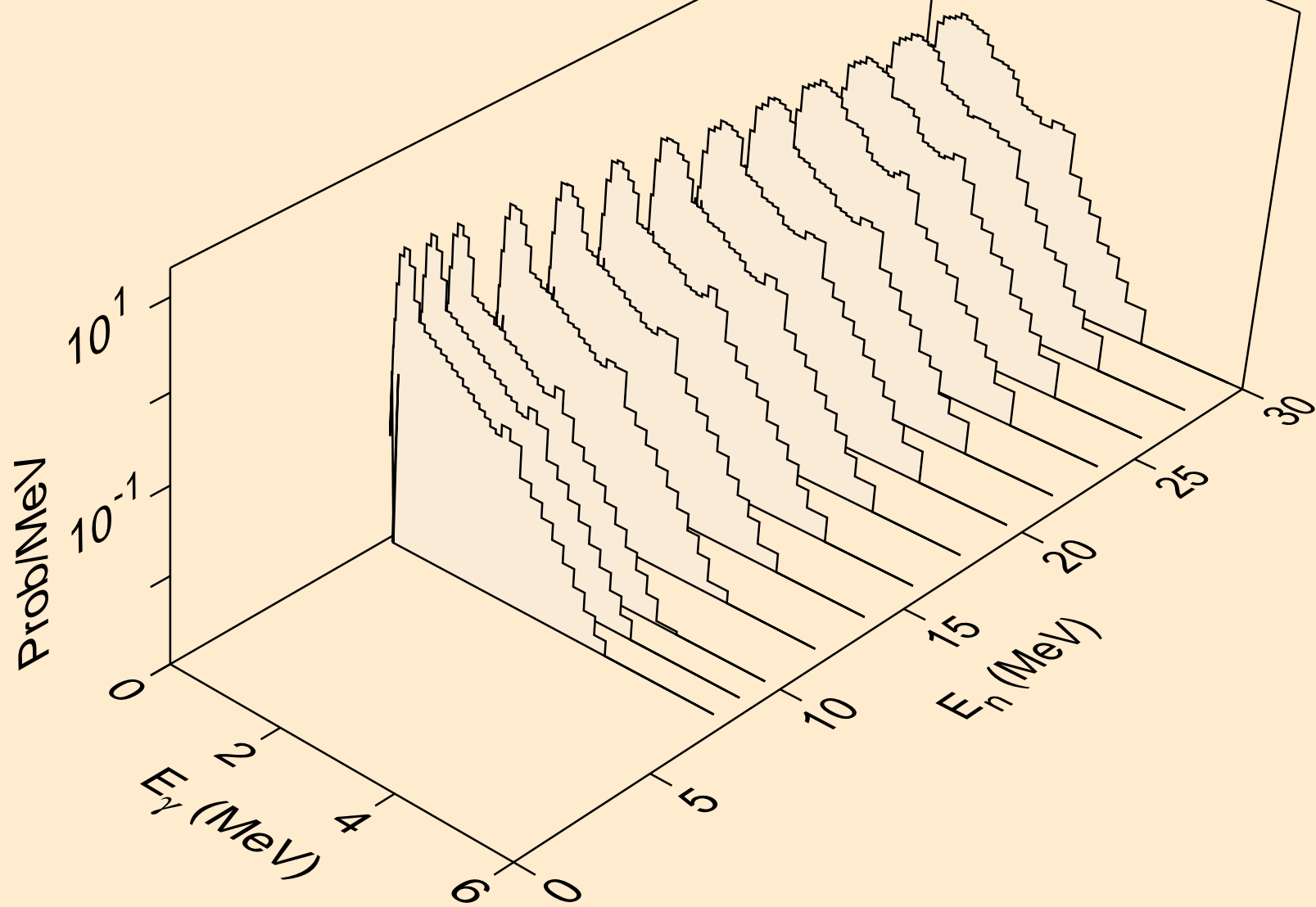
AT227 HELION ACER TENDL-2021 LIBRARY; T=0.K  
Photon emission for (n,x)



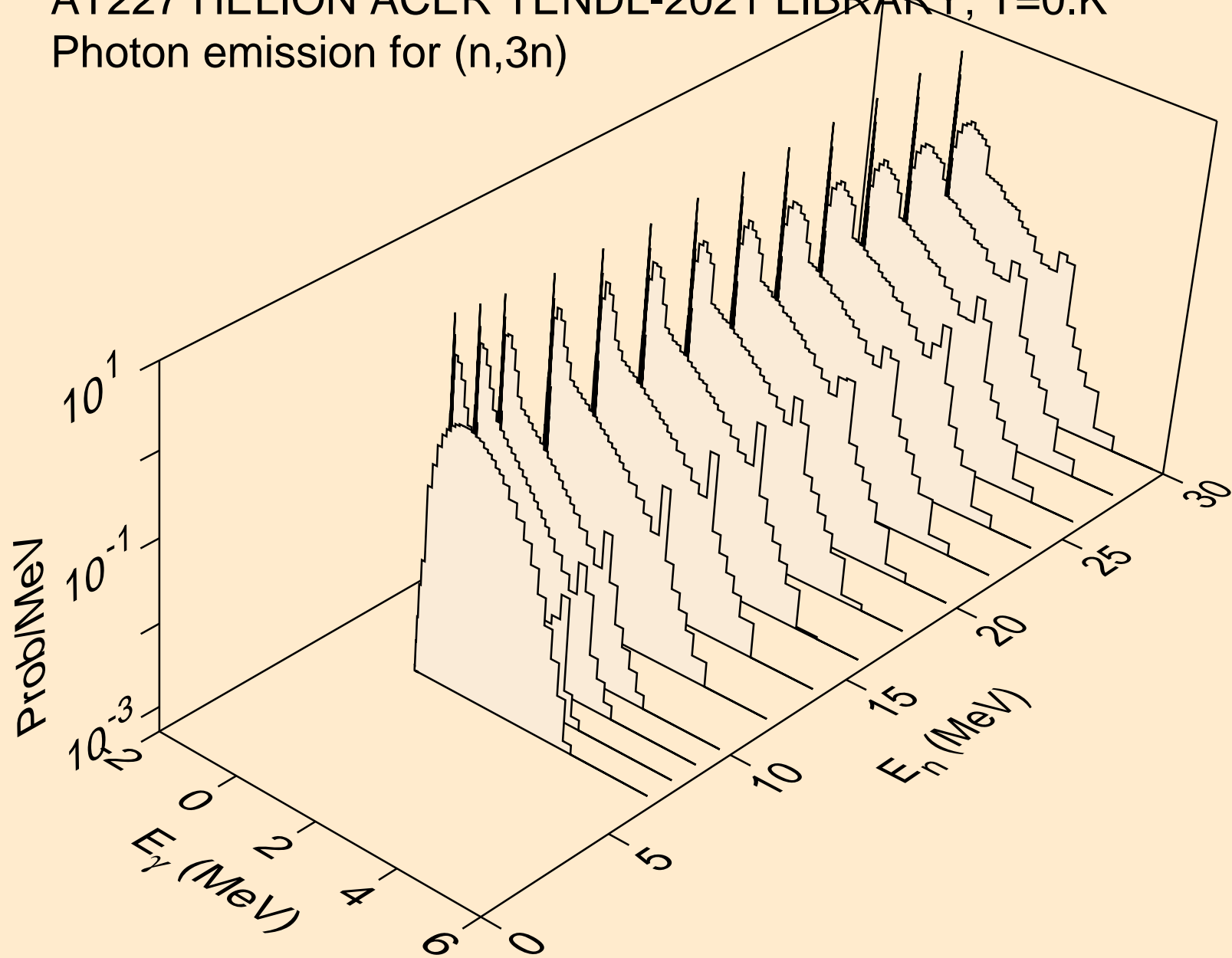
AT227 HELION ACER TENDL-2021 LIBRARY; T=0.K  
Photon emission for (n,2nd)



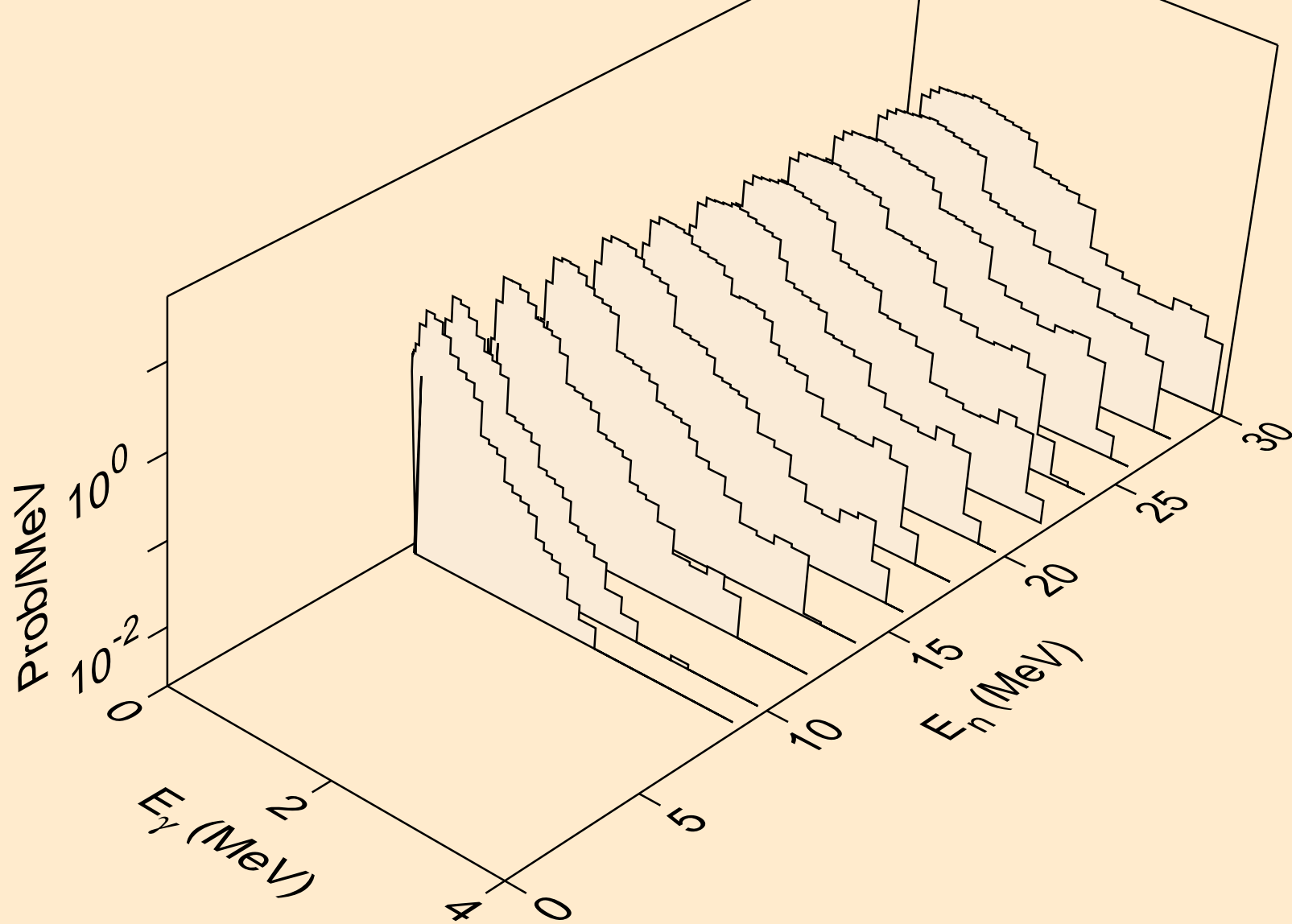
AT227 HELION ACER TENDL-2021 LIBRARY; T=0.K  
Photon emission for (n,2n)



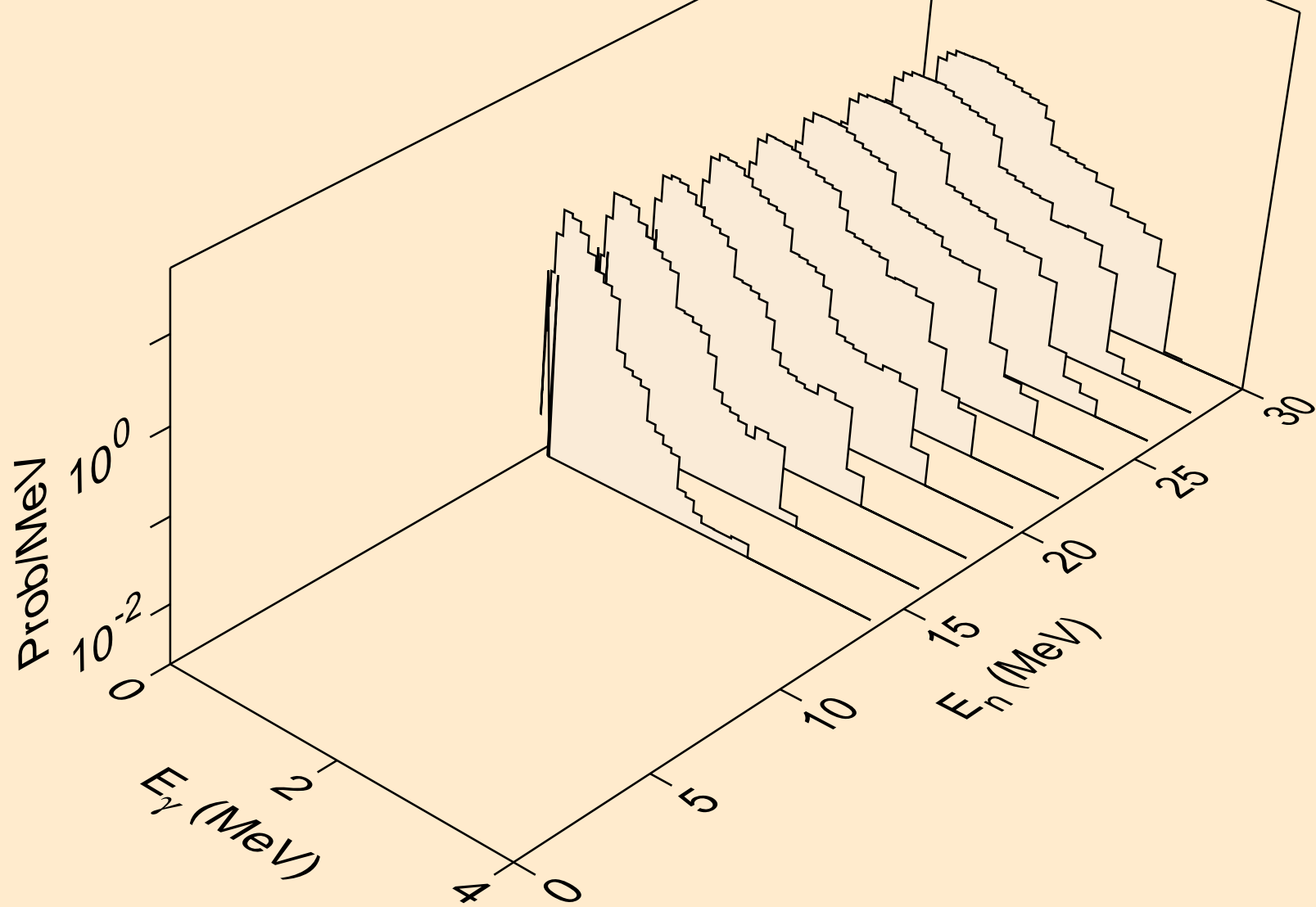
AT227 HELION ACER TENDL-2021 LIBRARY; T=0.K  
Photon emission for (n,3n)



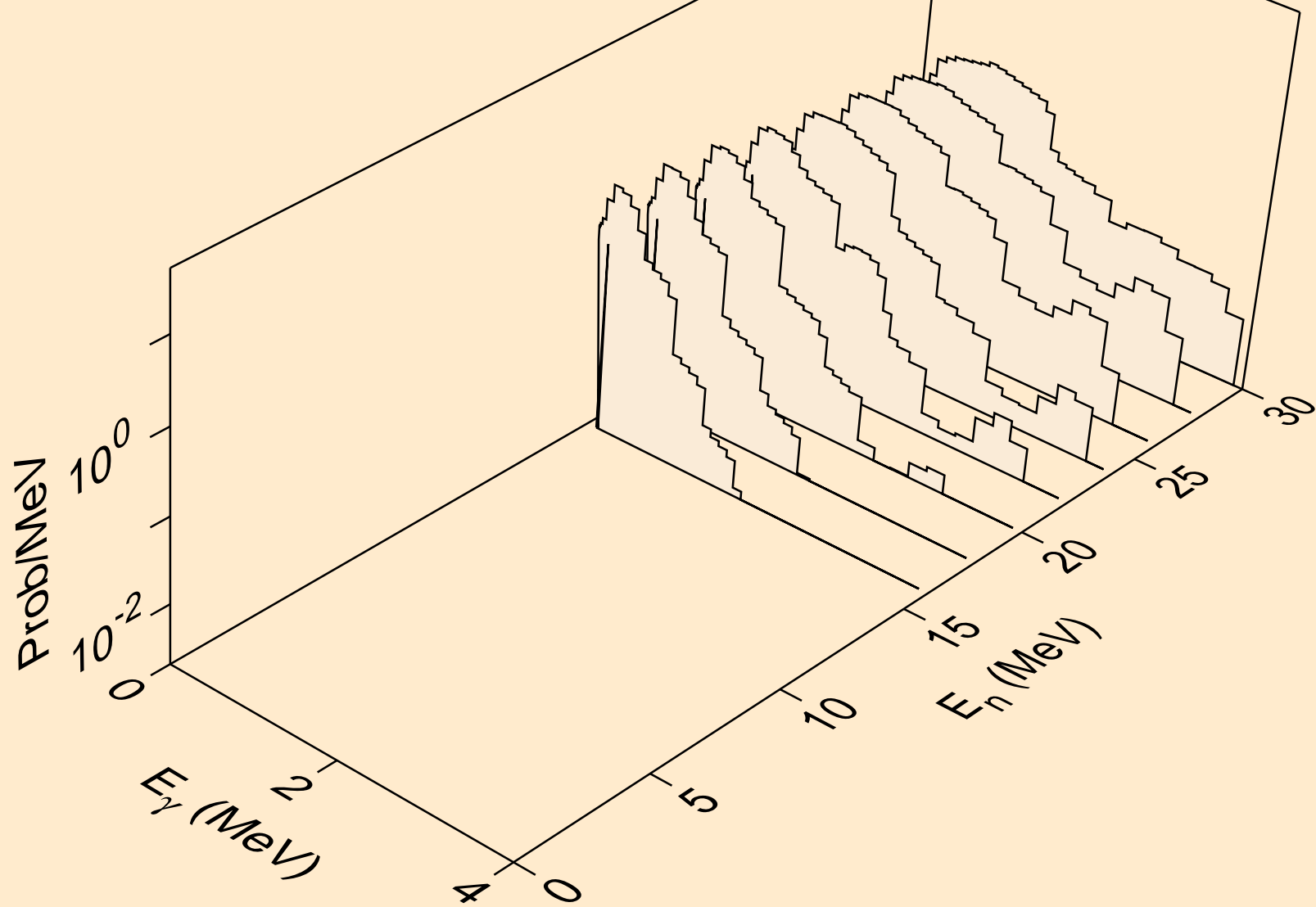
AT227 HELION ACER TENDL-2021 LIBRARY; T=0.K  
Photon emission for (n,n\*)a



AT227 HELION ACER TENDL-2021 LIBRARY; T=0.K  
Photon emission for (n,2n)a

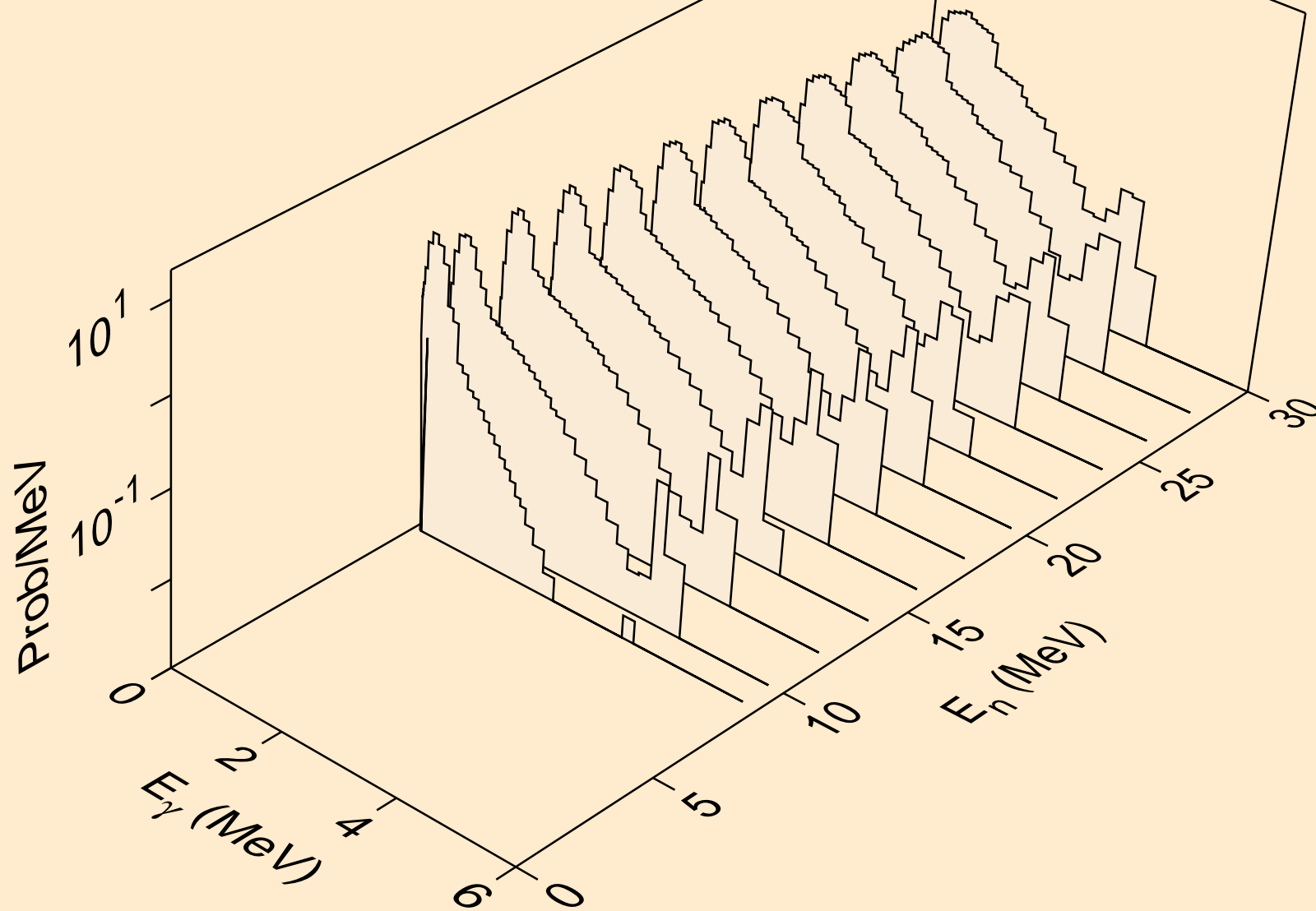


AT227 HELION ACER TENDL-2021 LIBRARY; T=0.K  
Photon emission for (n,3n)a

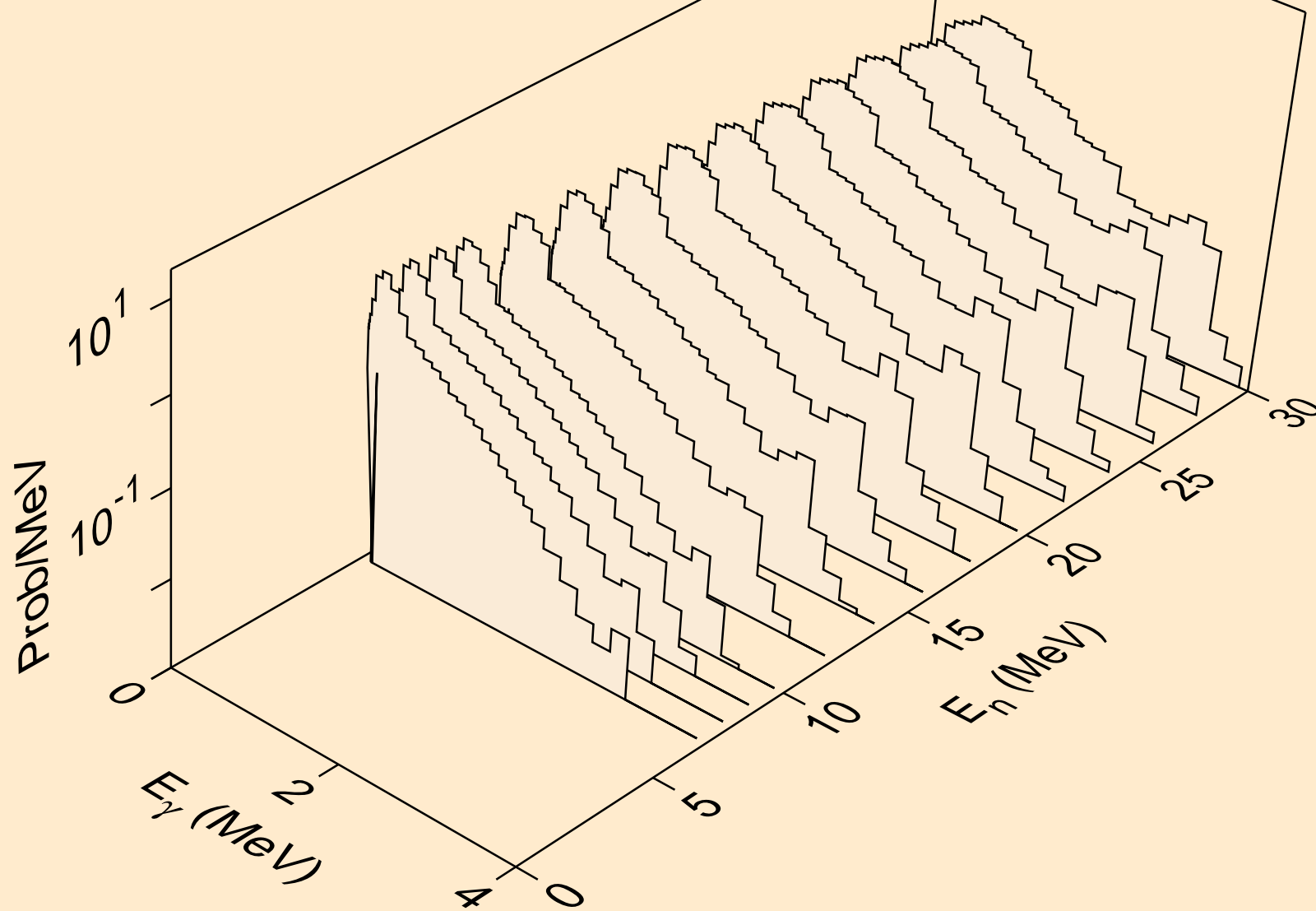




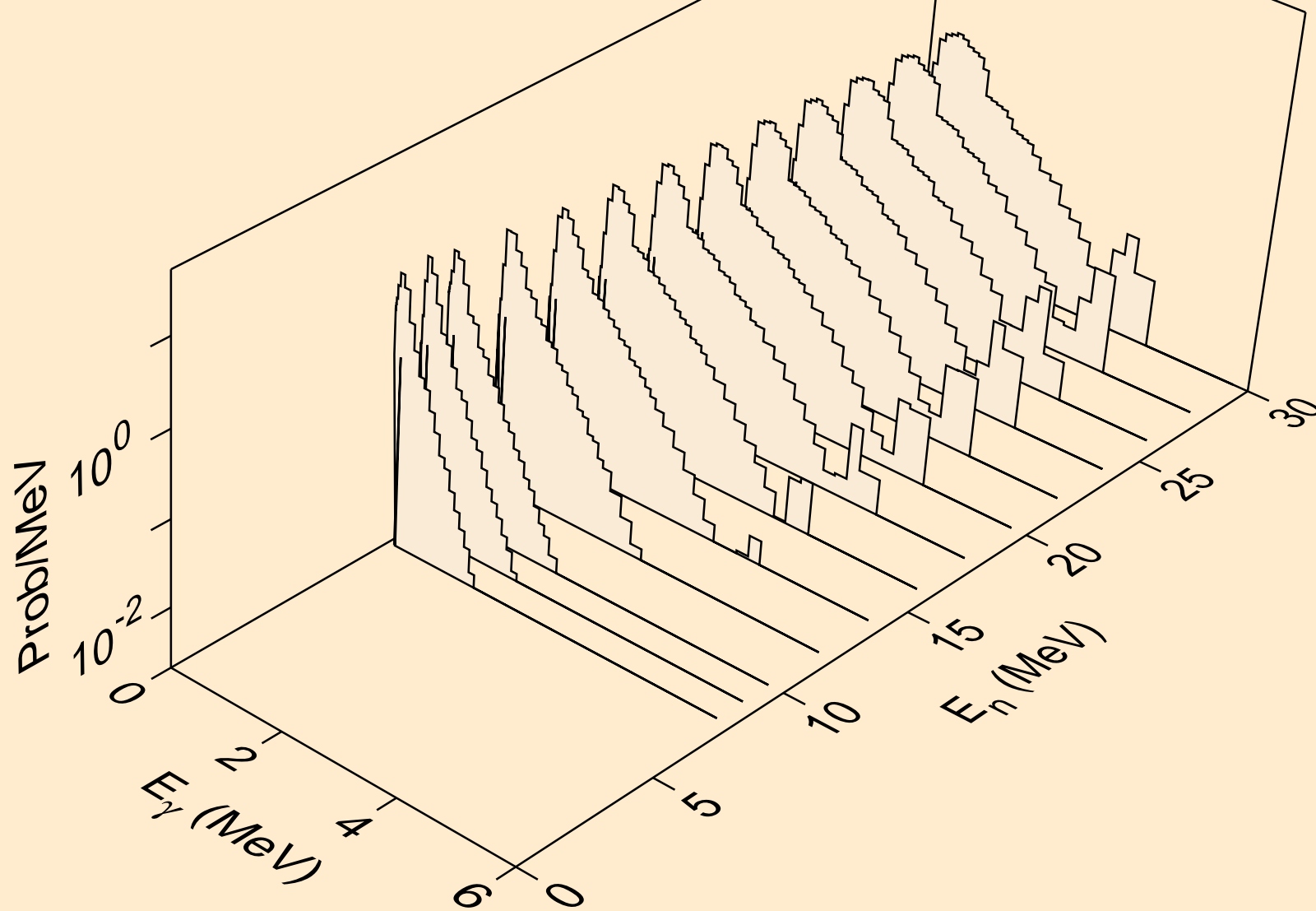
AT227 HELION ACER TENDL-2021 LIBRARY; T=0.K  
Photon emission for (n,n\*)p



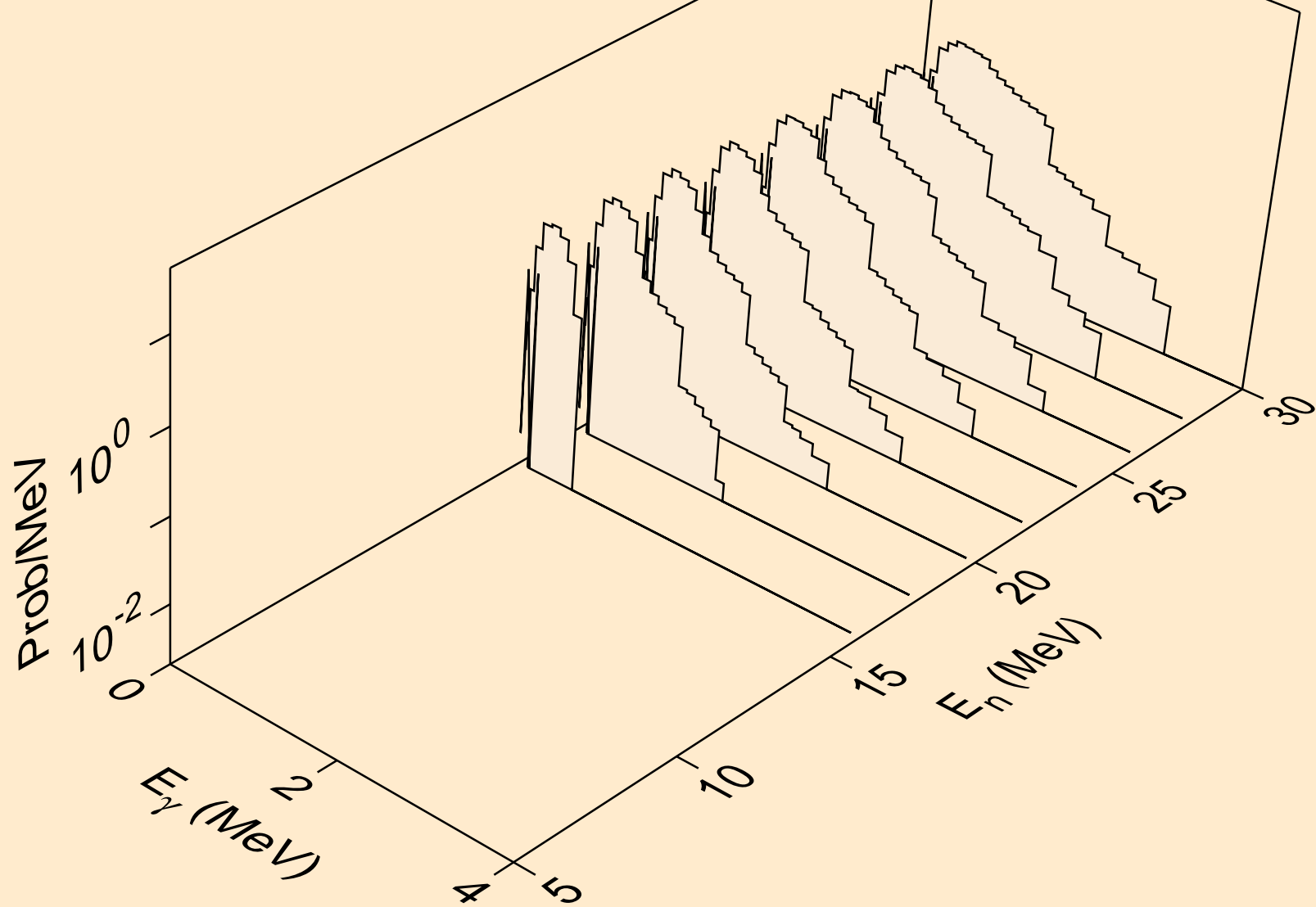
AT227 HELION ACER TENDL-2021 LIBRARY; T=0.K  
Photon emission for (n,n\*)d



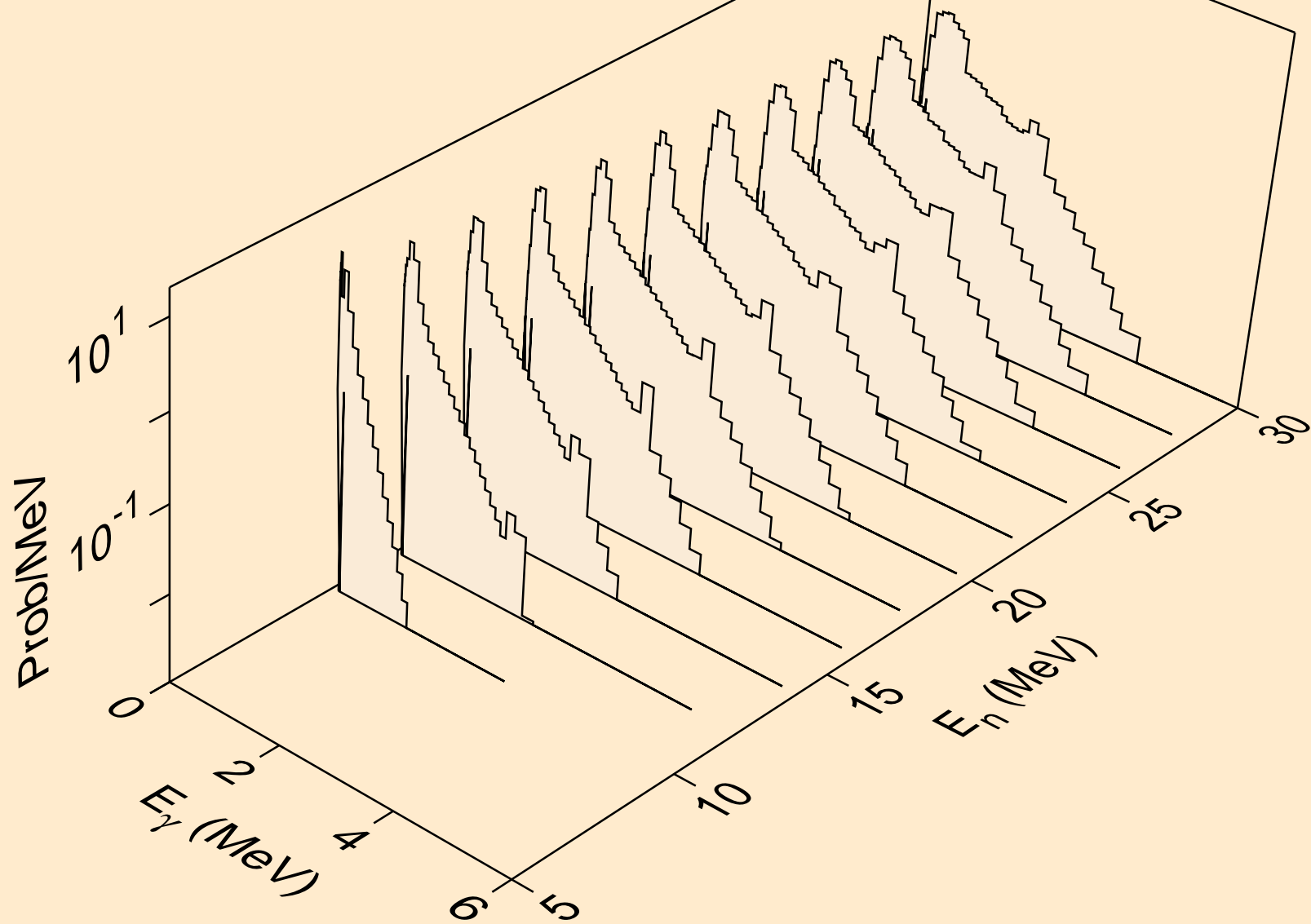
AT227 HELION ACER TENDL-2021 LIBRARY; T=0.K  
Photon emission for (n,n\*)t



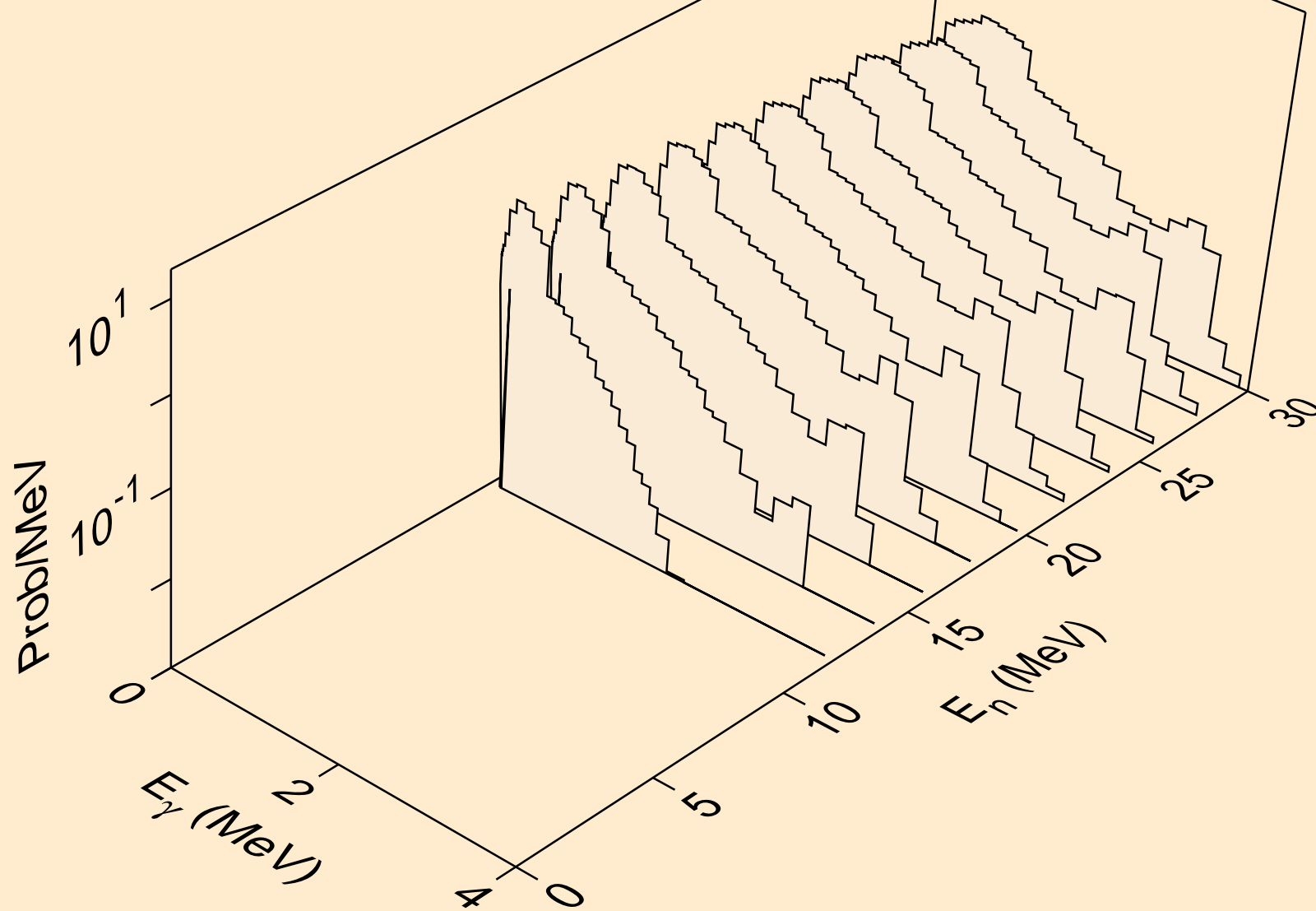
AT227 HELION ACER TENDL-2021 LIBRARY; T=0.K  
Photon emission for (n,n\*)he3



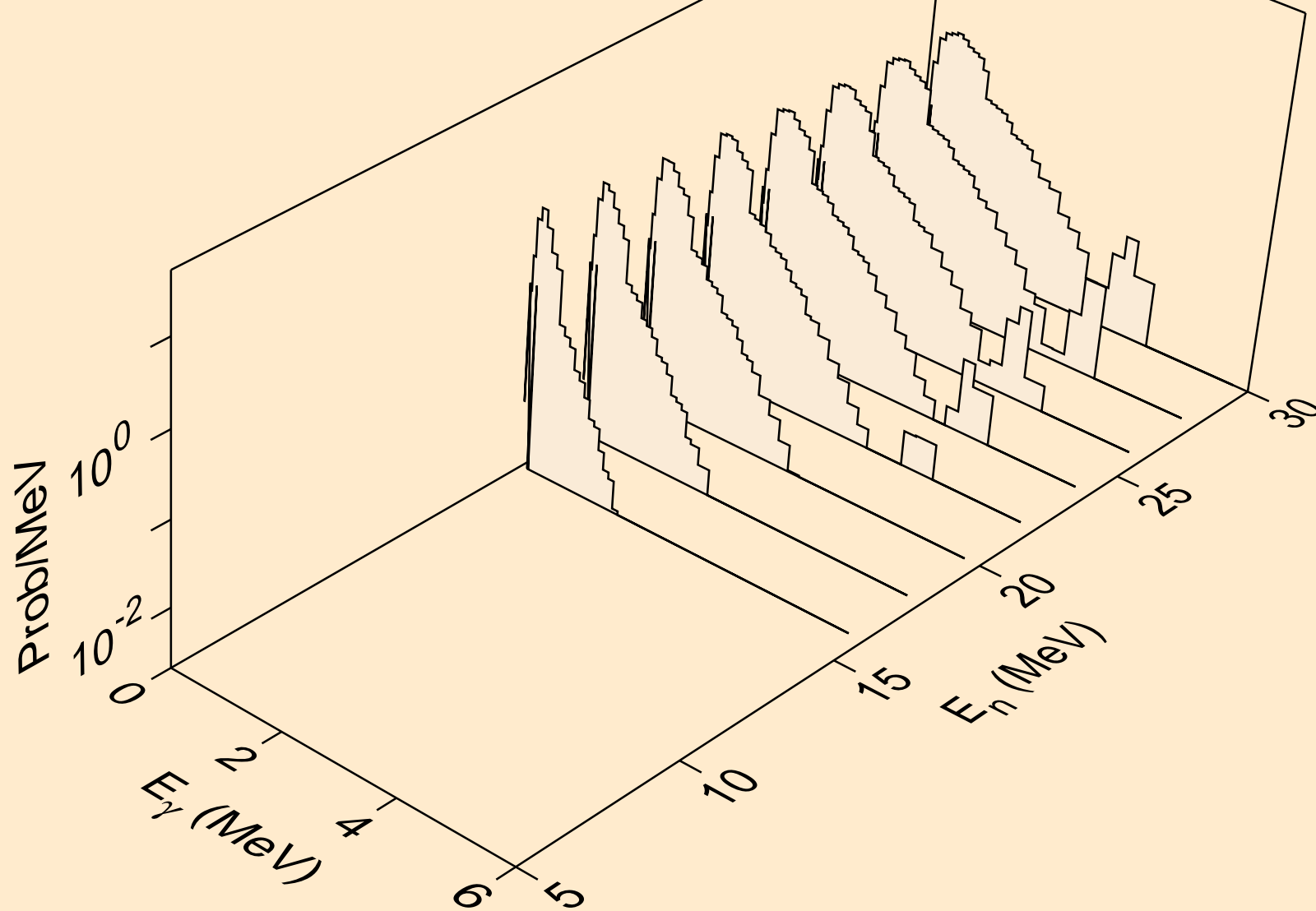
AT227 HELION ACER TENDL-2021 LIBRARY; T=0.K  
Photon emission for (n,4n)



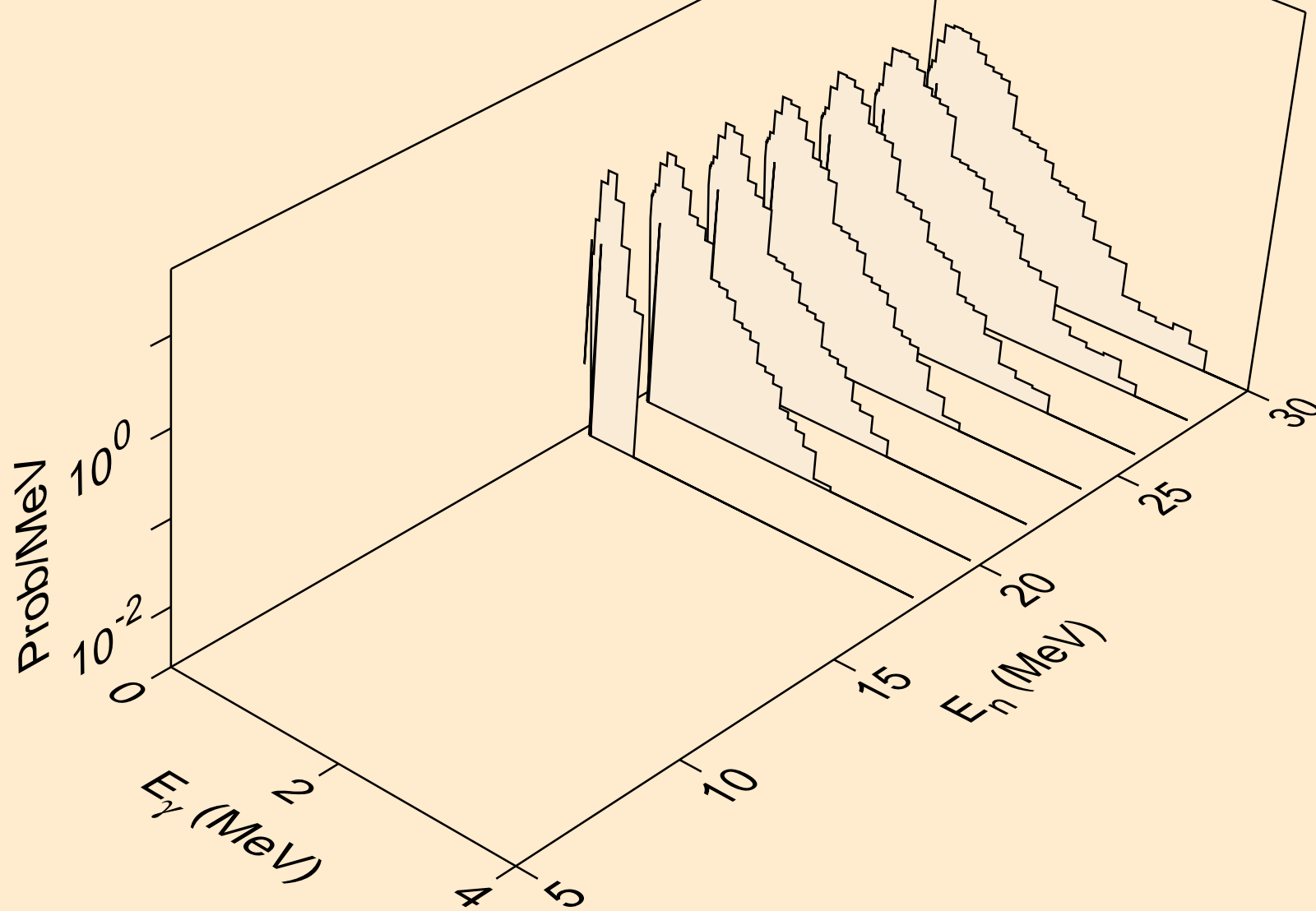
AT227 HELION ACER TENDL-2021 LIBRARY; T=0.K  
Photon emission for (n,2np)



AT227 HELION ACER TENDL-2021 LIBRARY; T=0.K  
Photon emission for (n,3np)

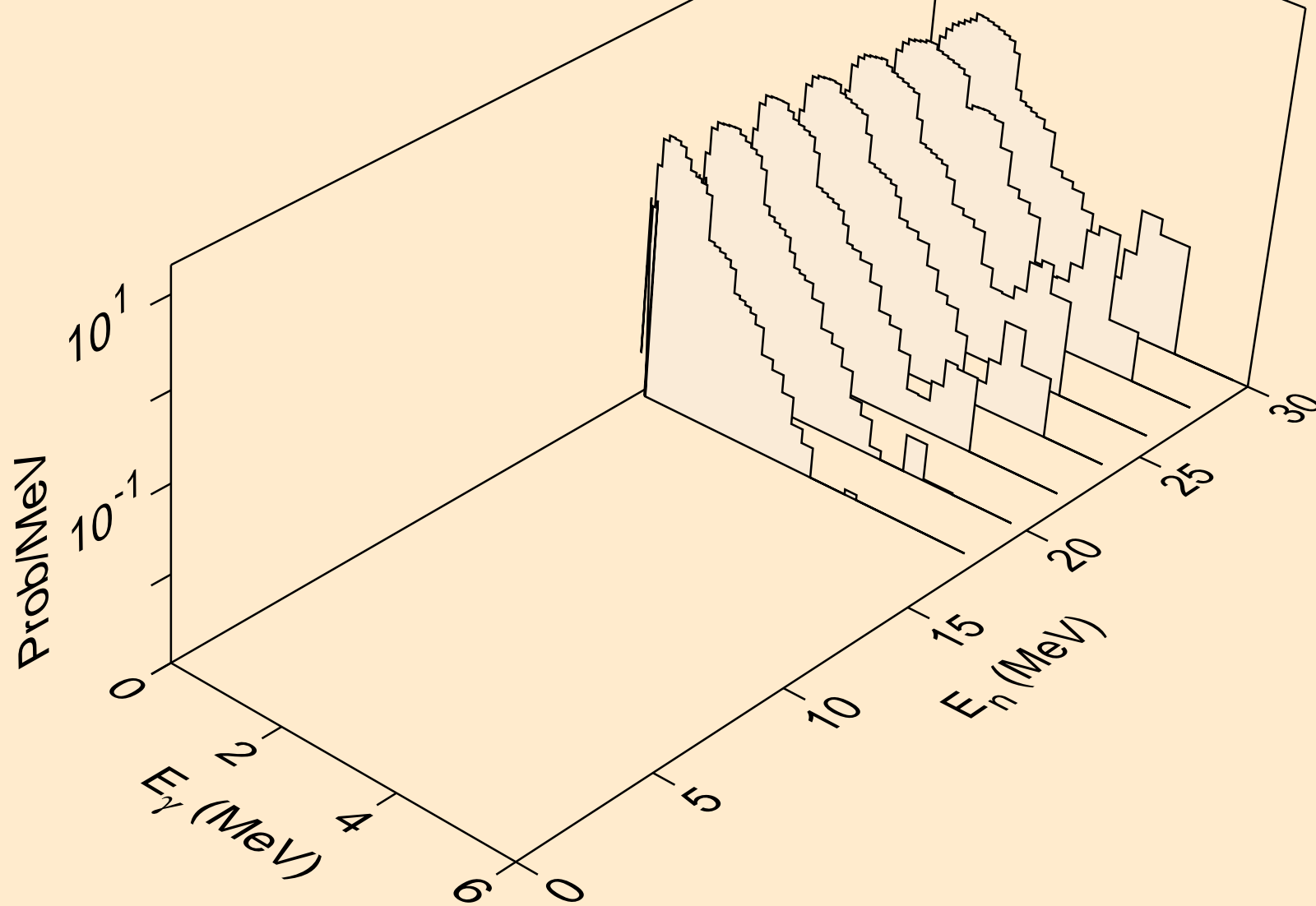


AT227 HELION ACER TENDL-2021 LIBRARY; T=0.K  
Photon emission for (n,2np)

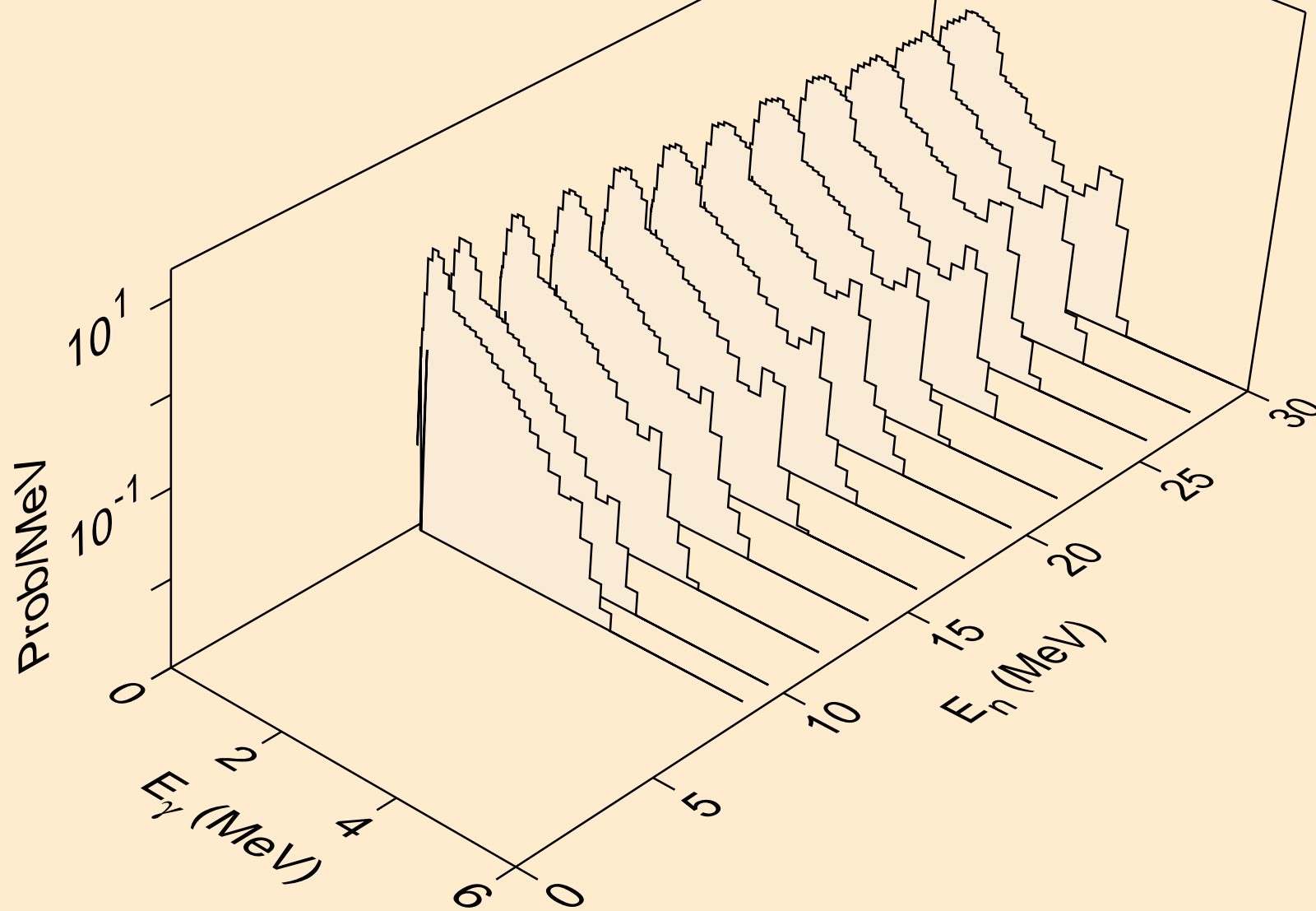




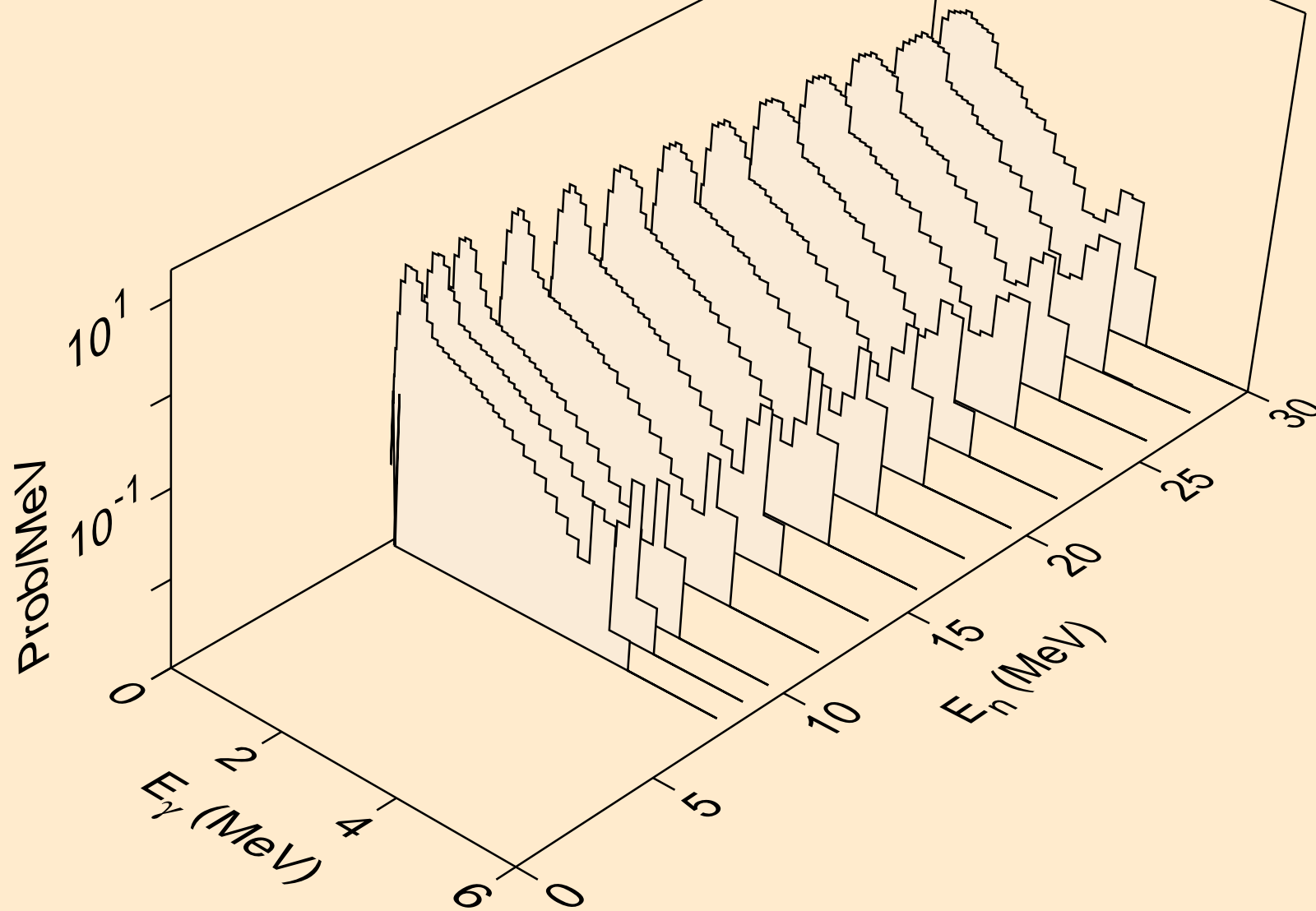
AT227 HELION ACER TENDL-2021 LIBRARY; T=0.K  
Photon emission for (n,npa)



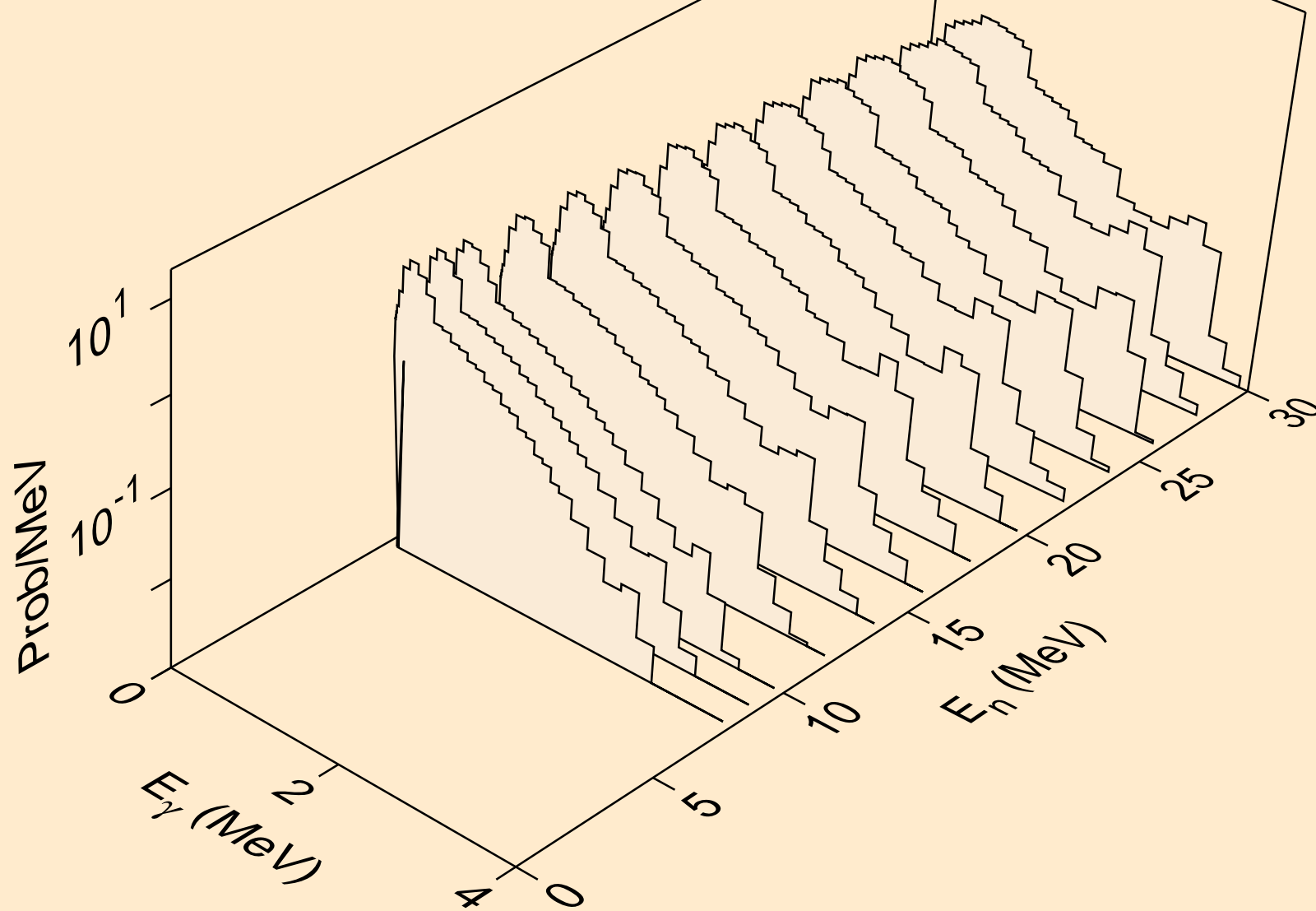
AT227 HELION ACER TENDL-2021 LIBRARY; T=0.K  
Photon emission for (n,p)



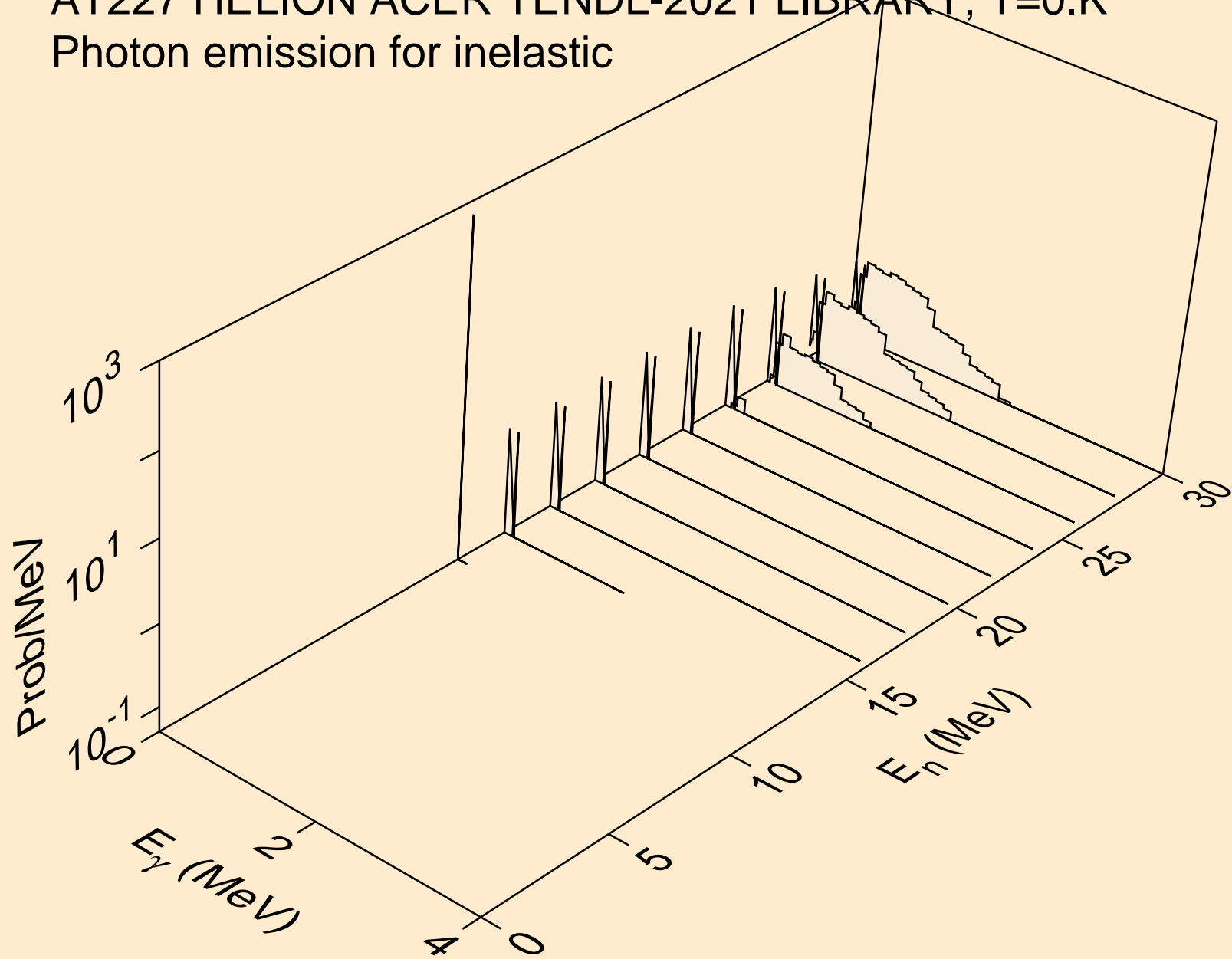
AT227 HELION ACER TENDL-2021 LIBRARY; T=0.K  
Photon emission for (n,d)



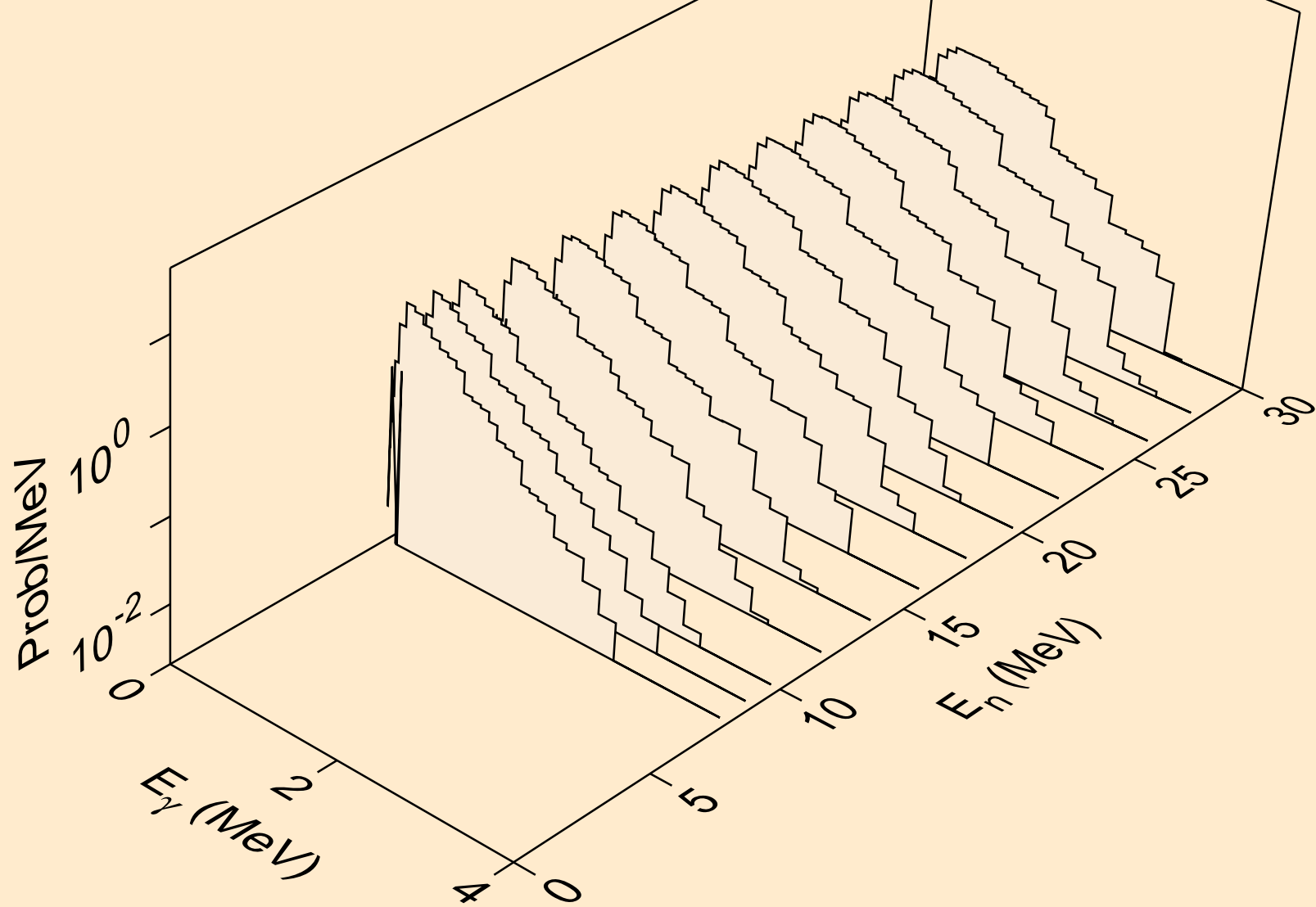
AT227 HELION ACER TENDL-2021 LIBRARY; T=0.K  
Photon emission for (n,t)



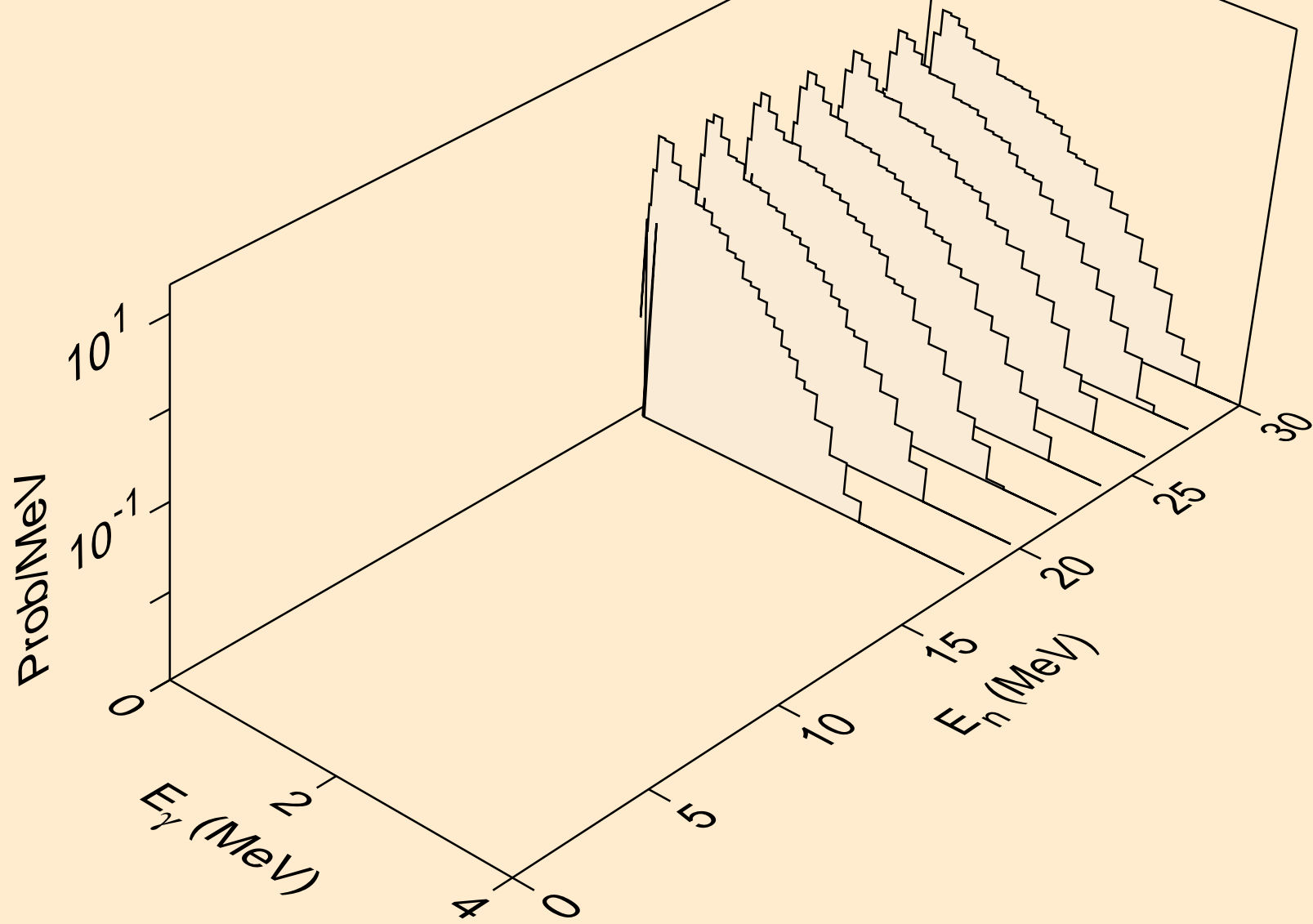
AT227 HELION ACER TENDL-2021 LIBRARY; T=0.K  
Photon emission for inelastic



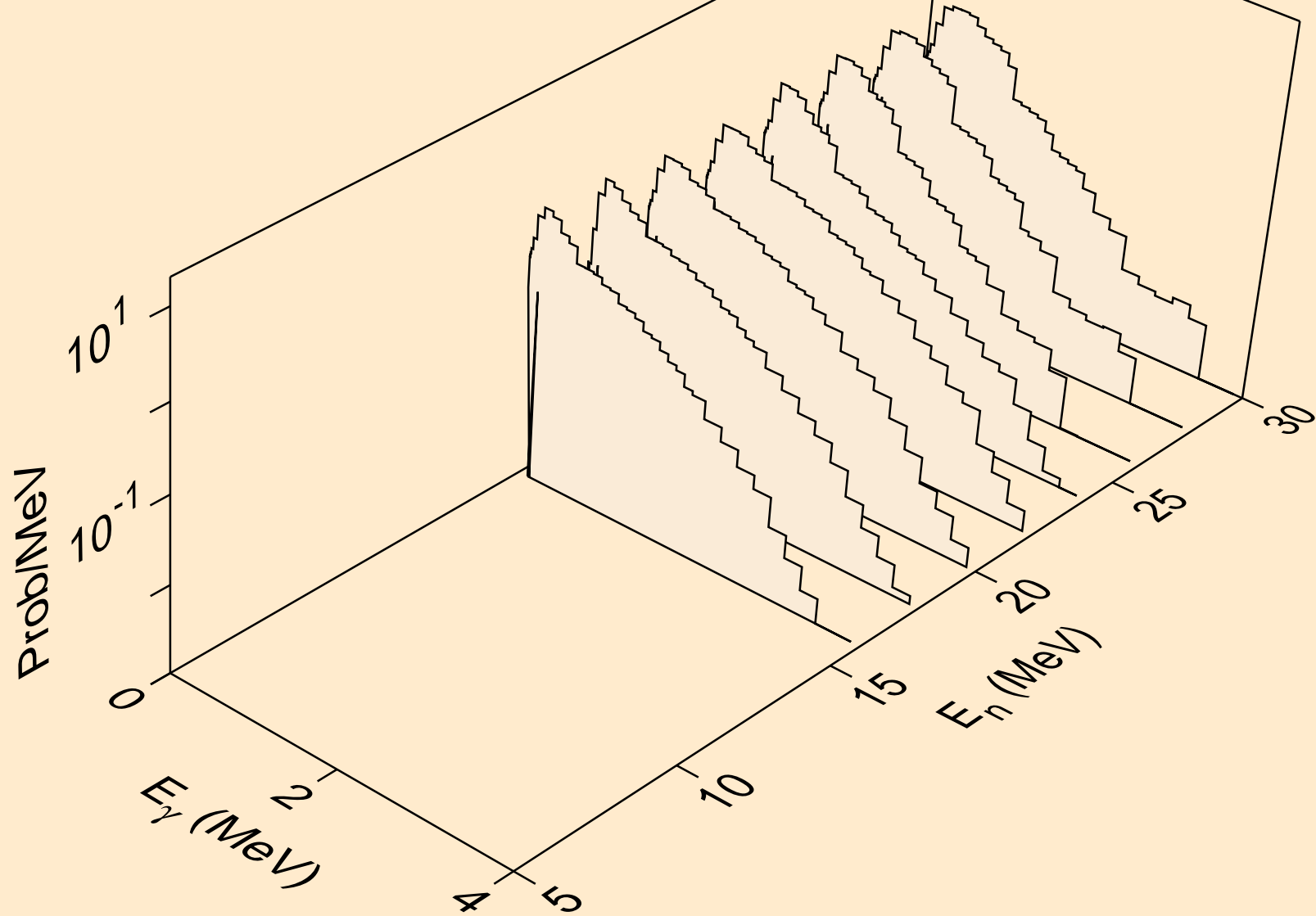
AT227 HELION ACER TENDL-2021 LIBRARY; T=0.K  
Photon emission for (n,a)



AT227 HELION ACER TENDL-2021 LIBRARY; T=0.K  
Photon emission for (n,2p)

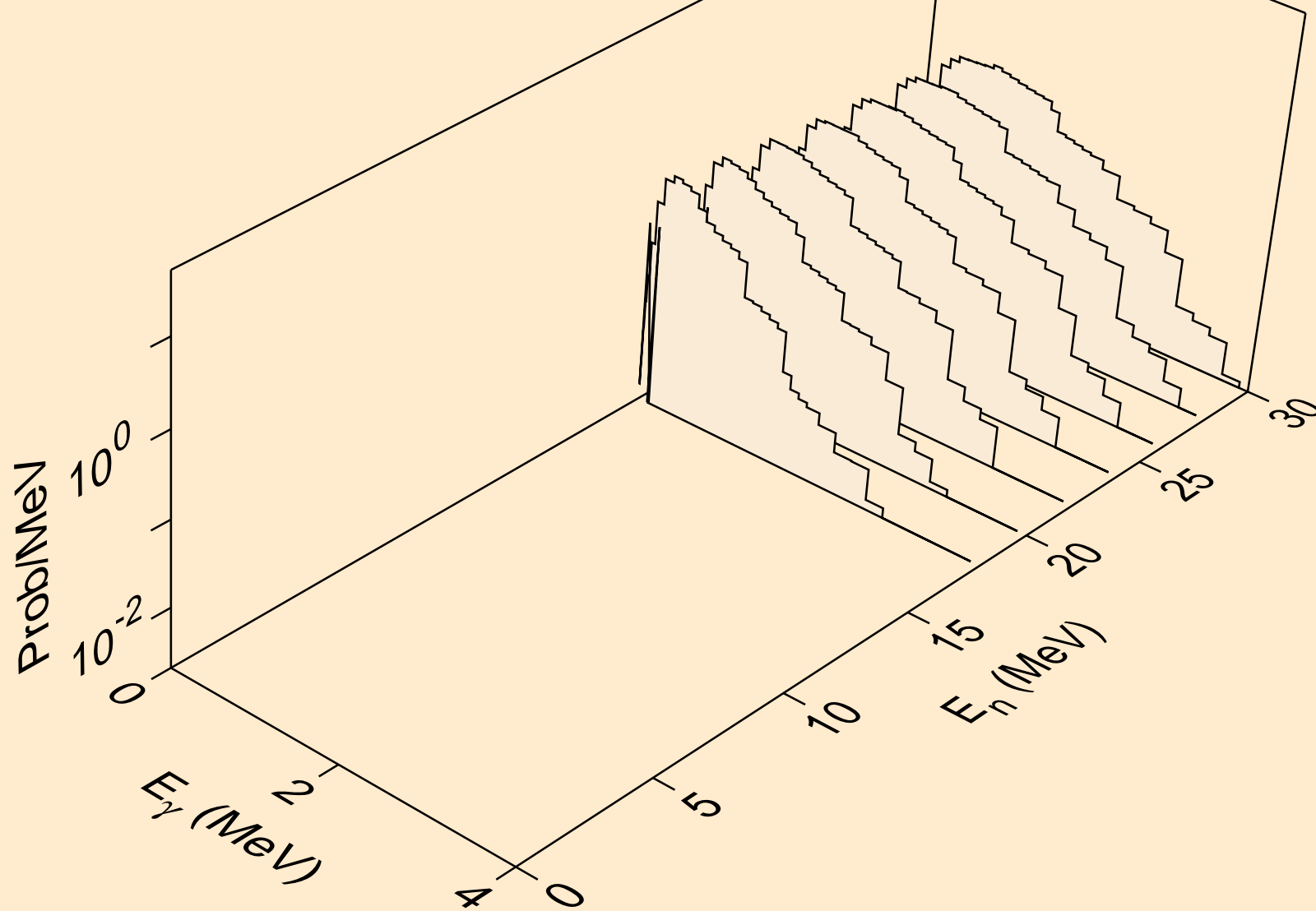


AT227 HELION ACER TENDL-2021 LIBRARY; T=0.K  
Photon emission for (n,pd)

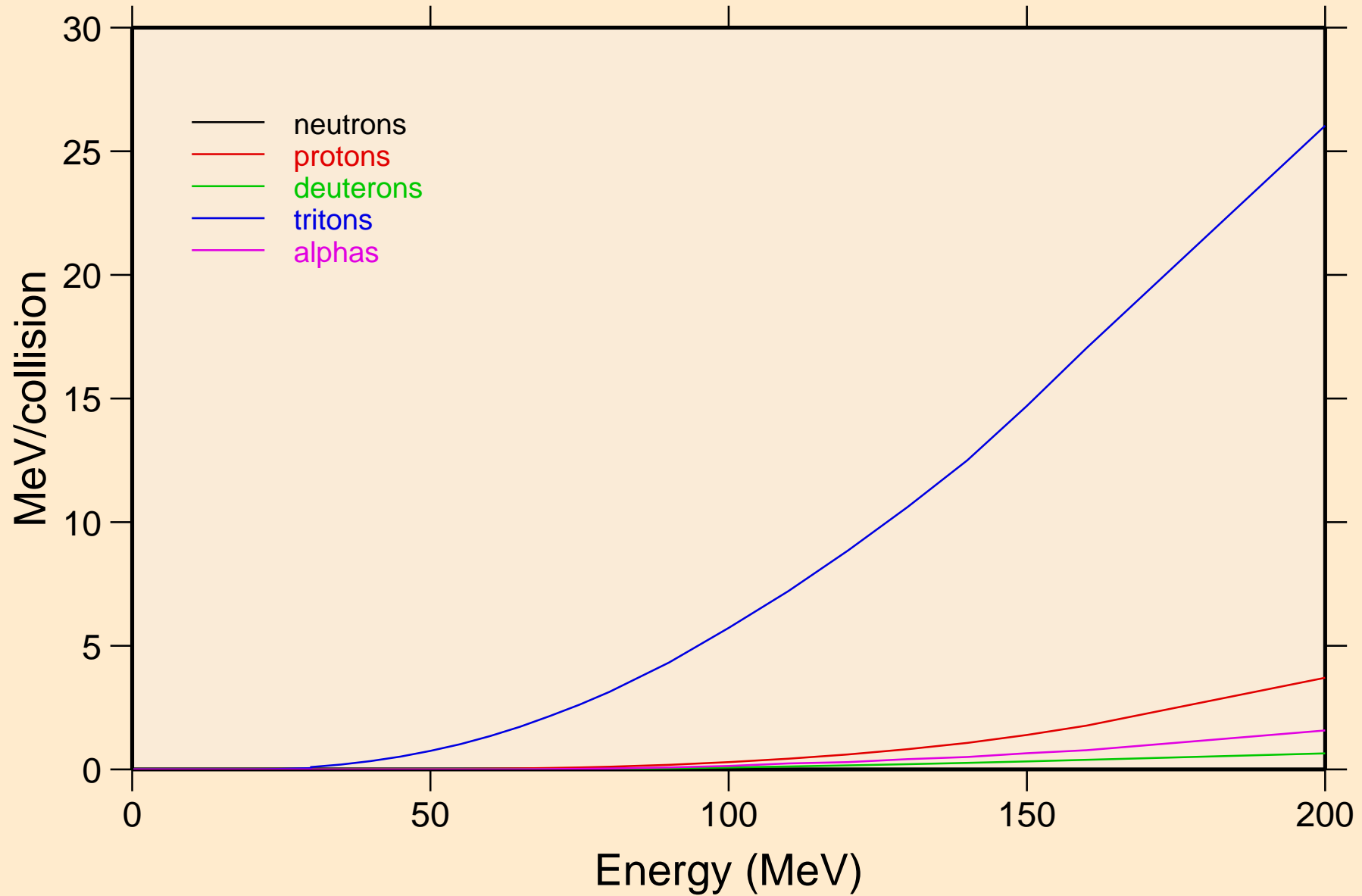




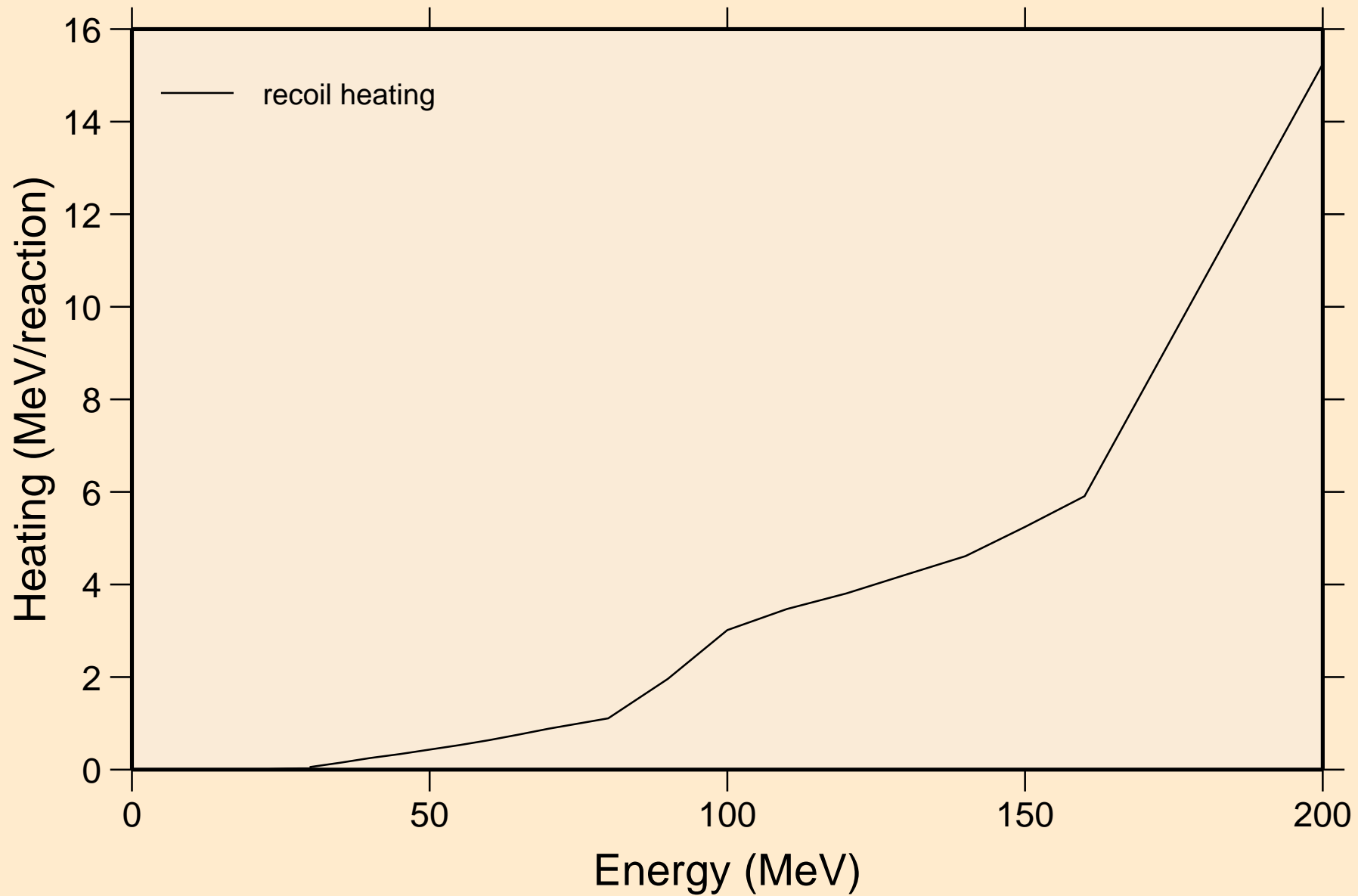
AT227 HELION ACER TENDL-2021 LIBRARY; T=0.K  
Photon emission for (n,pt)



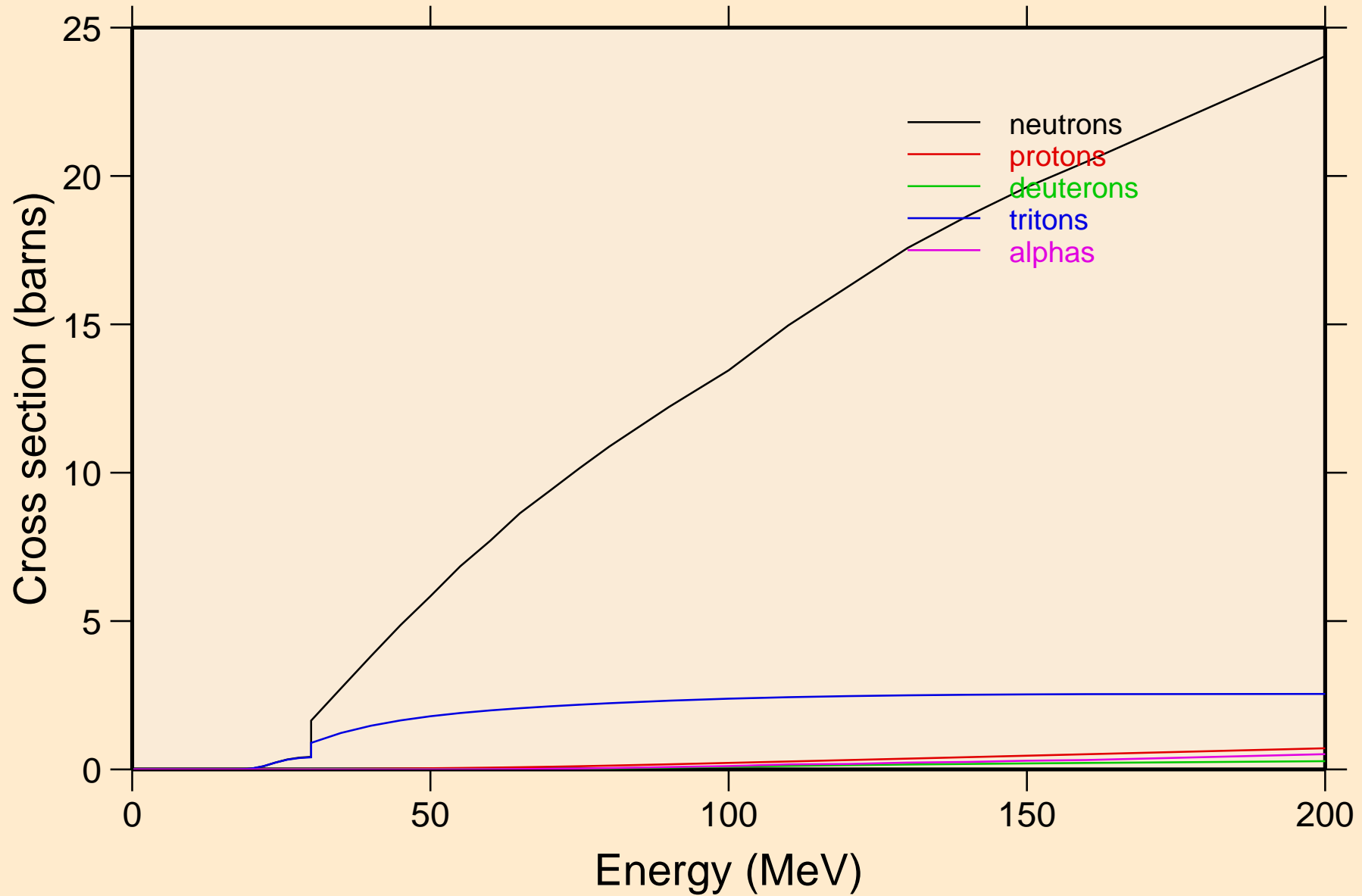
AT227 HELION ACER TENDL-2021 LIBRARY; T=0.K  
Particle heating contributions



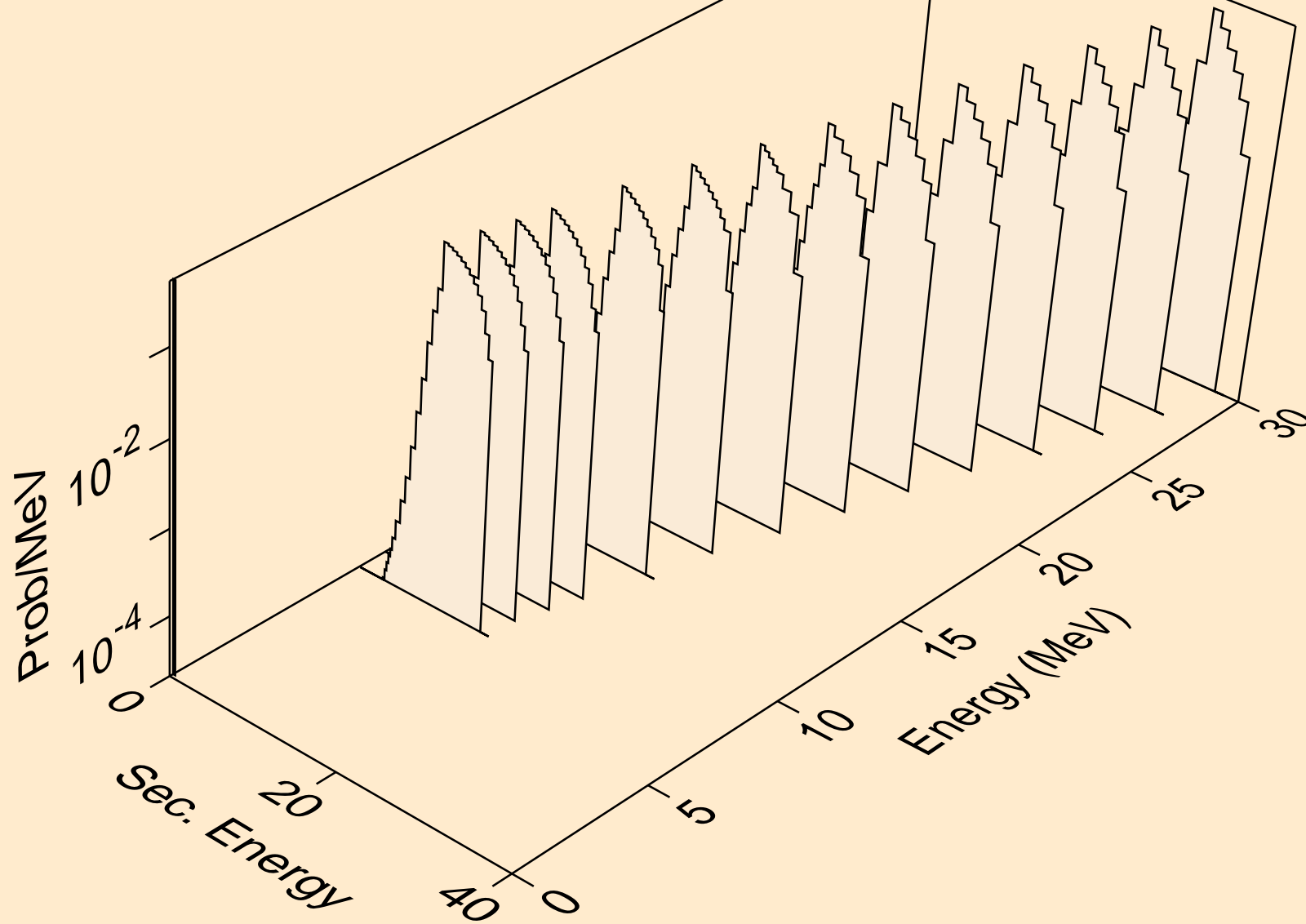
AT227 HELION ACER TENDL-2021 LIBRARY; T=0.K  
Recoil Heating



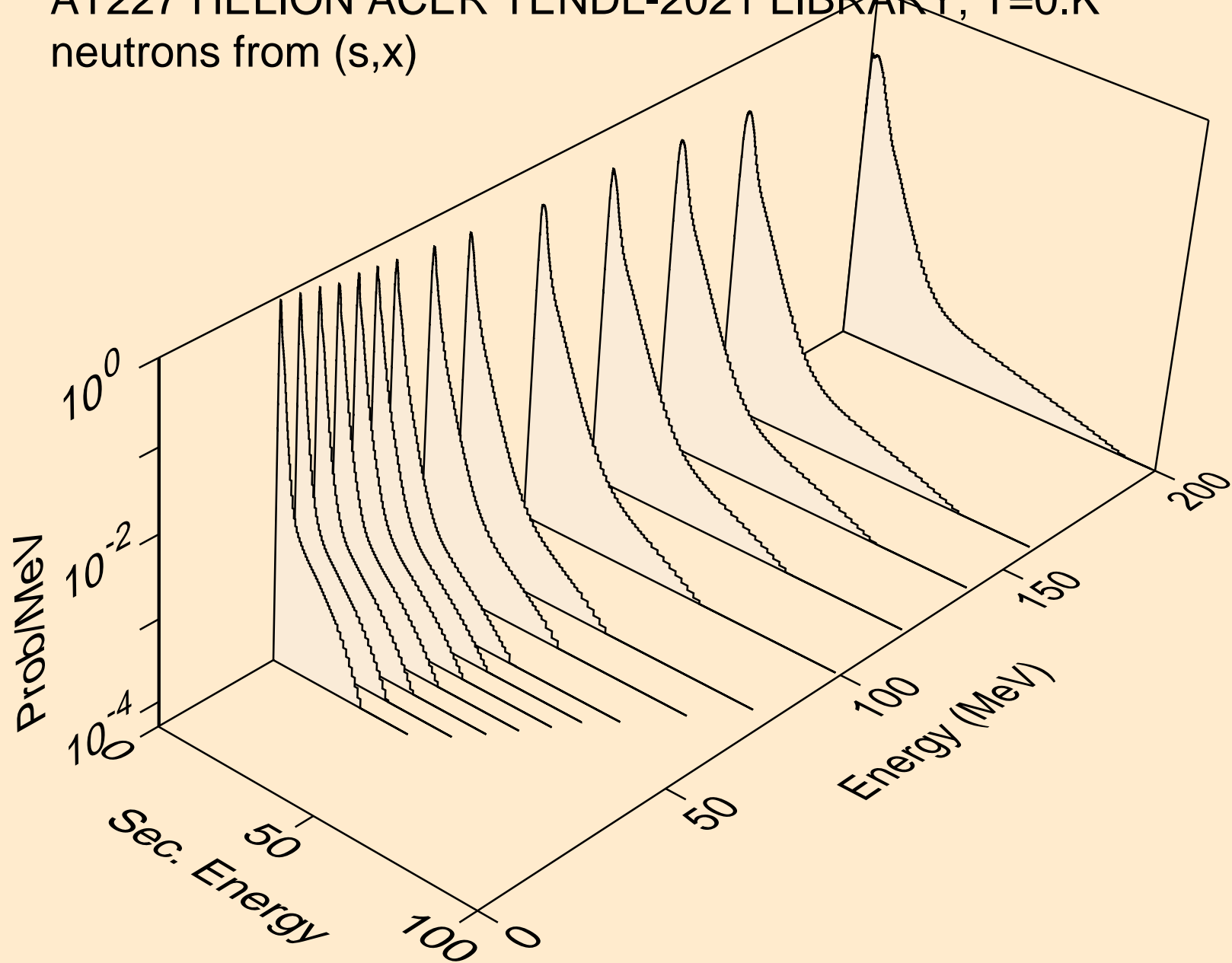
AT227 HELION ACER TENDL-2021 LIBRARY; T=0.K  
Particle production cross sections



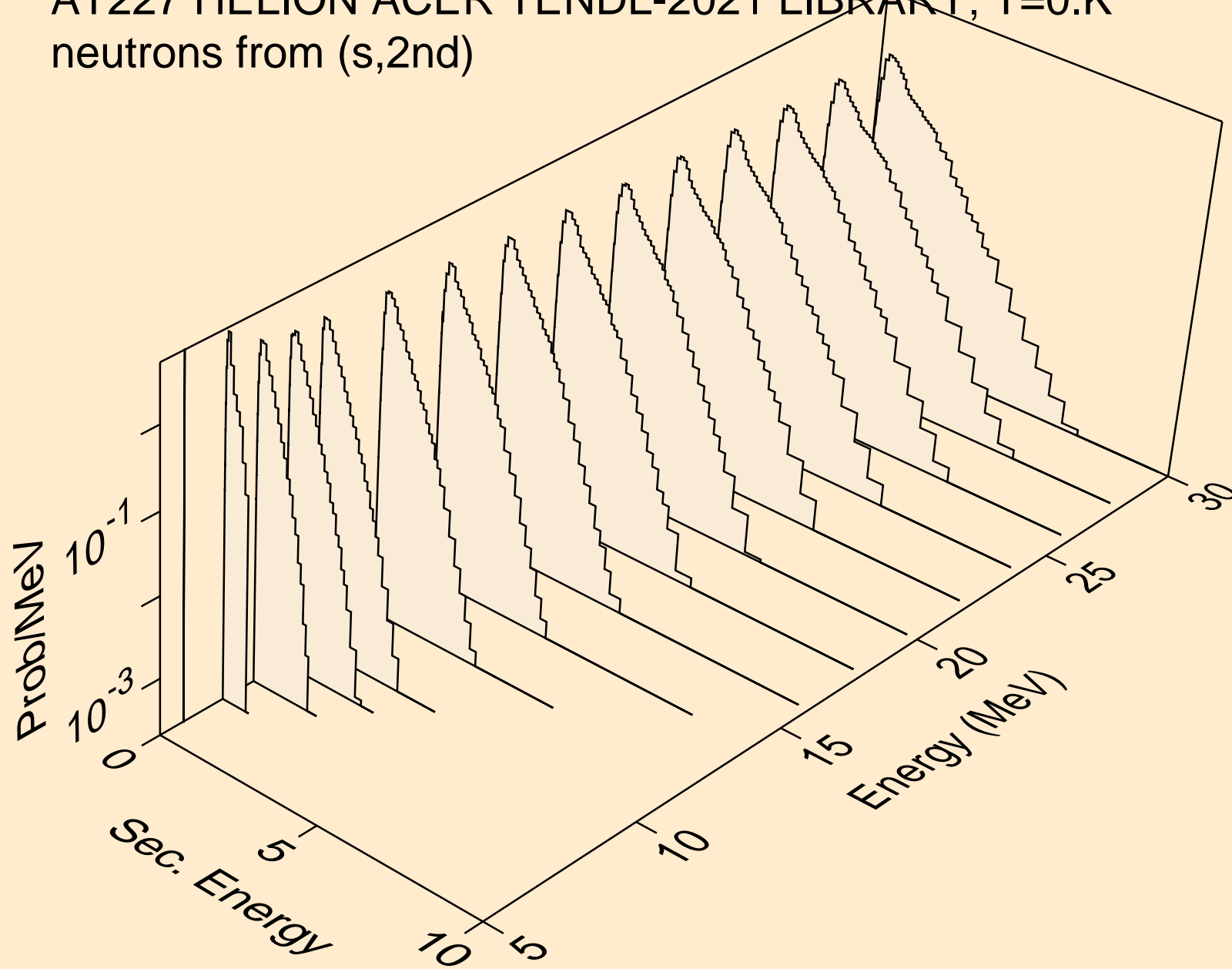
AT227 HELION ACER TENDL-2021 LIBRARY; T=0.K  
neutrons from (s,n)



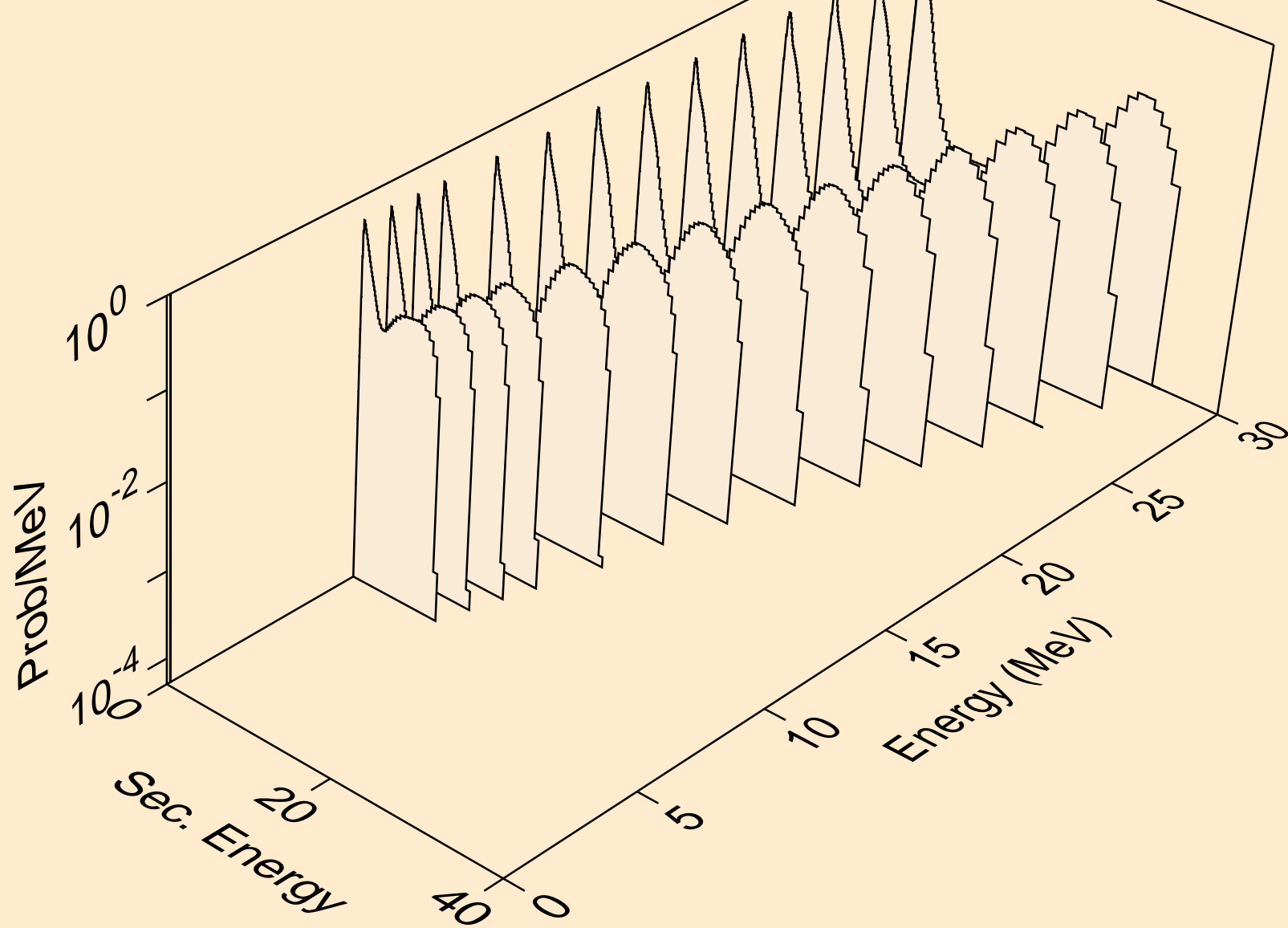
AT227 HELION ACER TENDL-2021 LIBRARY; T=0.K  
neutrons from (s,x)



AT227 HELION ACER TENDL-2021 LIBRARY; T=0.K  
neutrons from (s,2nd)

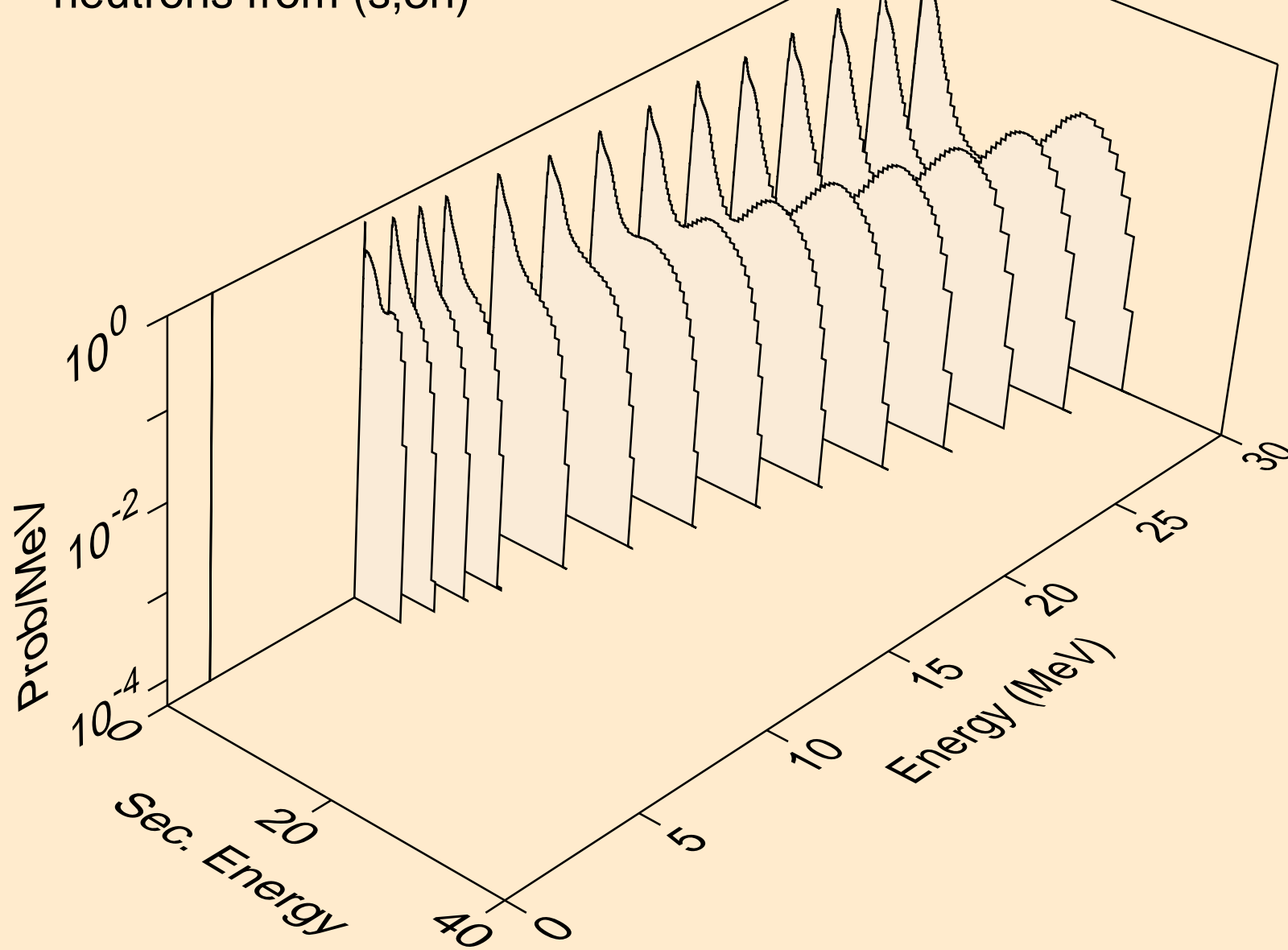


AT227 HELION ACER TENDL-2021 LIBRARY; T=0.K  
neutrons from (s,2n)

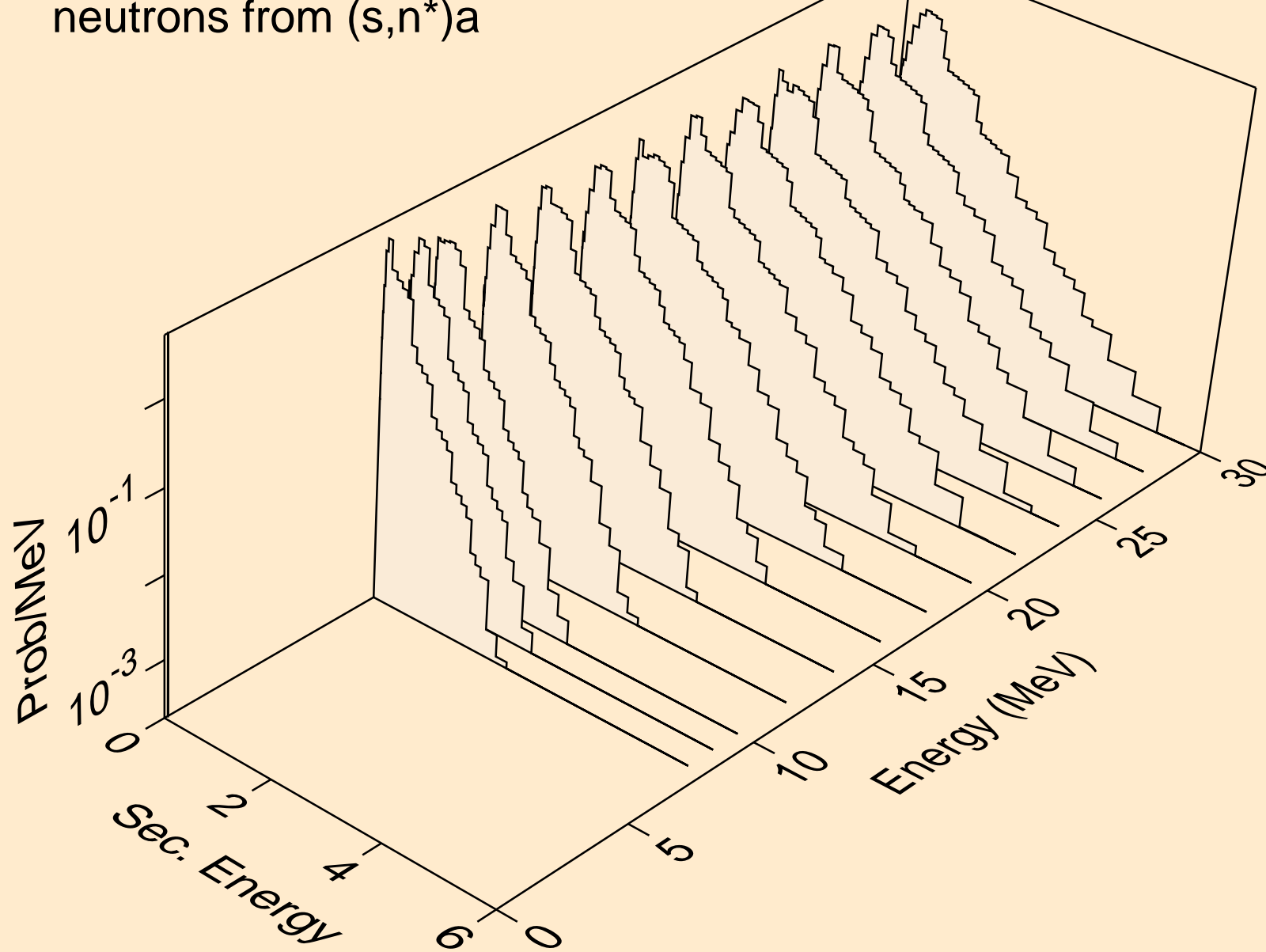




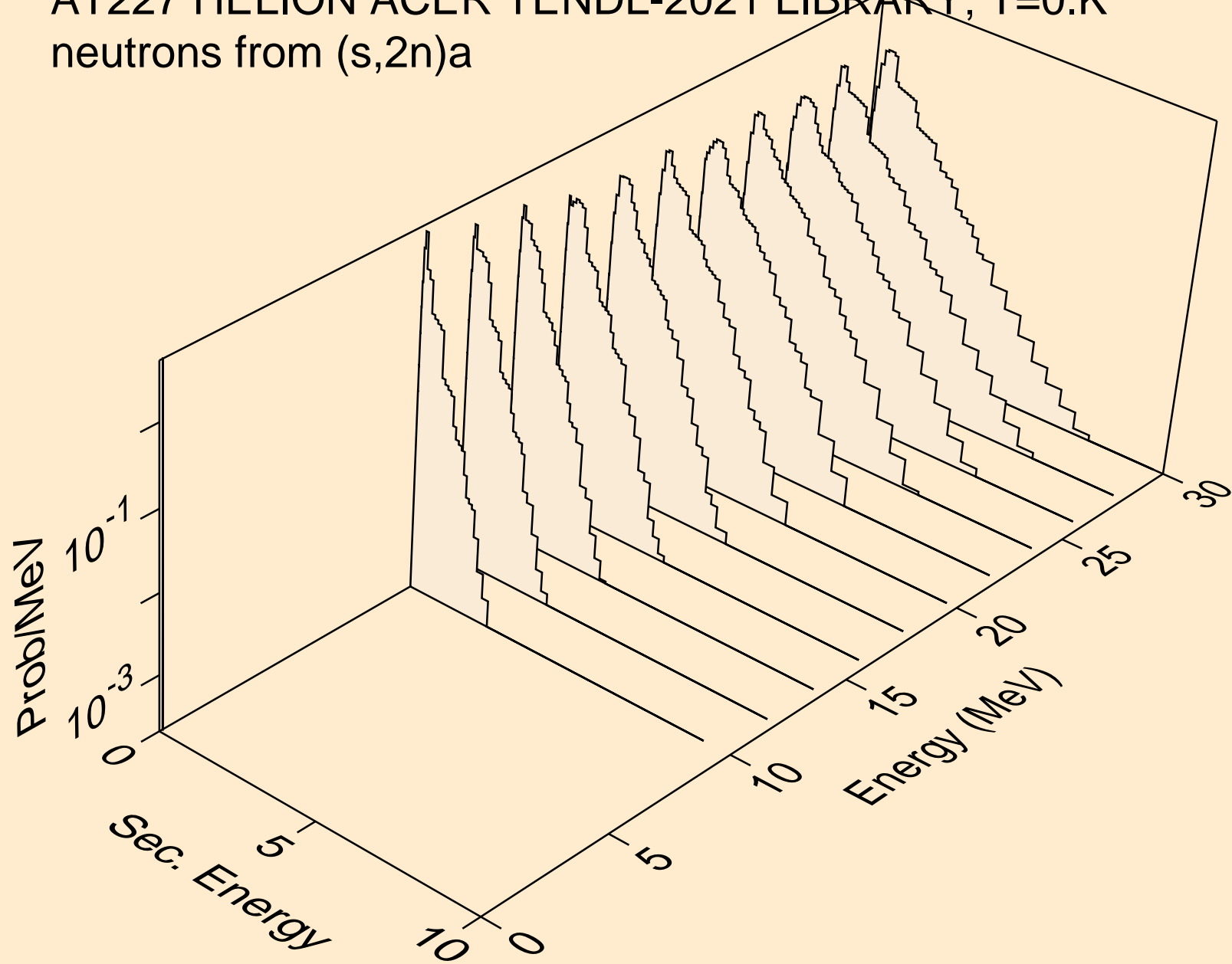
AT227 HELION ACER TENDL-2021 LIBRARY; T=0.K  
neutrons from (s,3n)



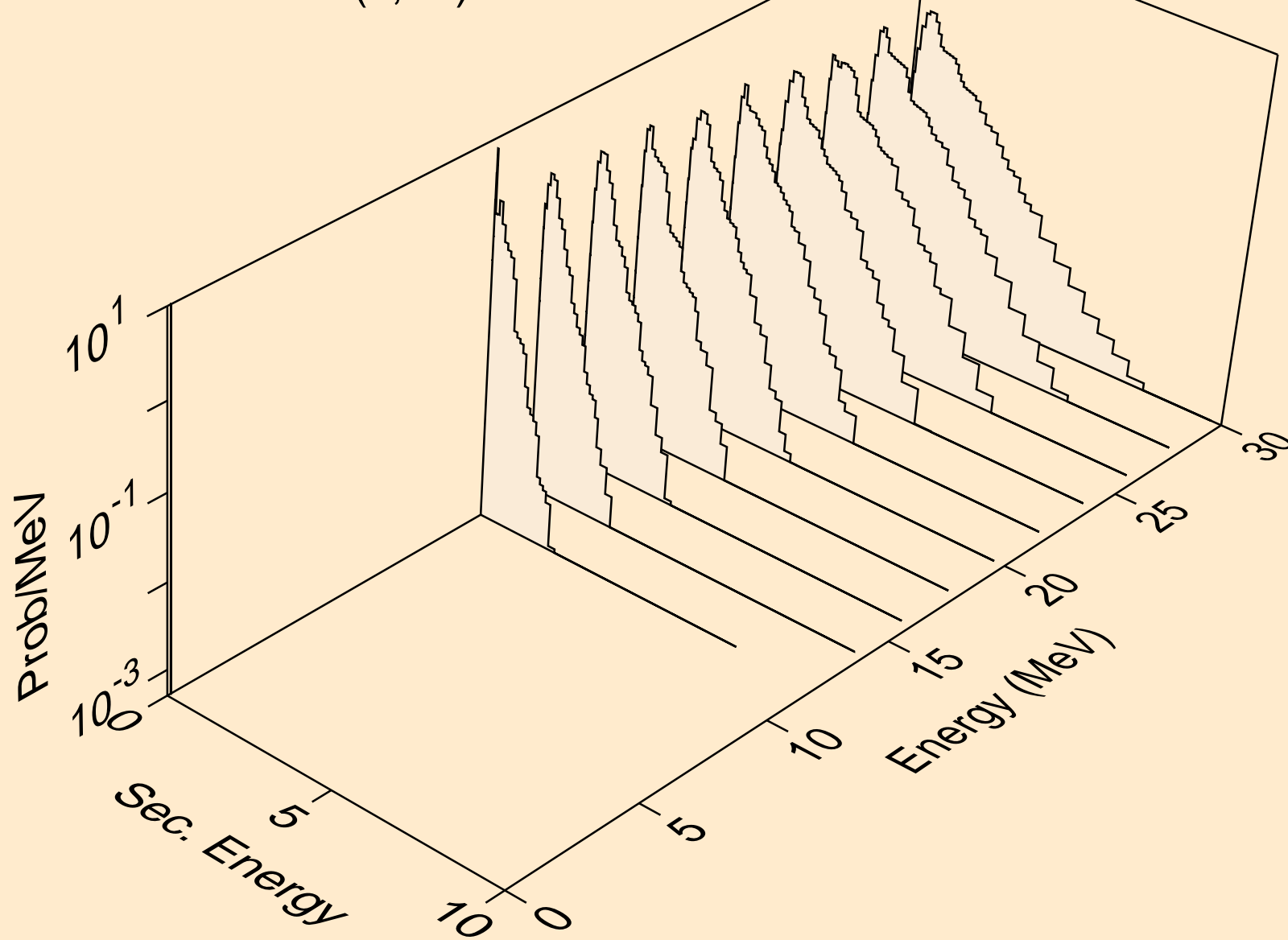
AT227 HELION ACER TENDL-2021 LIBRARY; T=0.K  
neutrons from (s,n\*)a



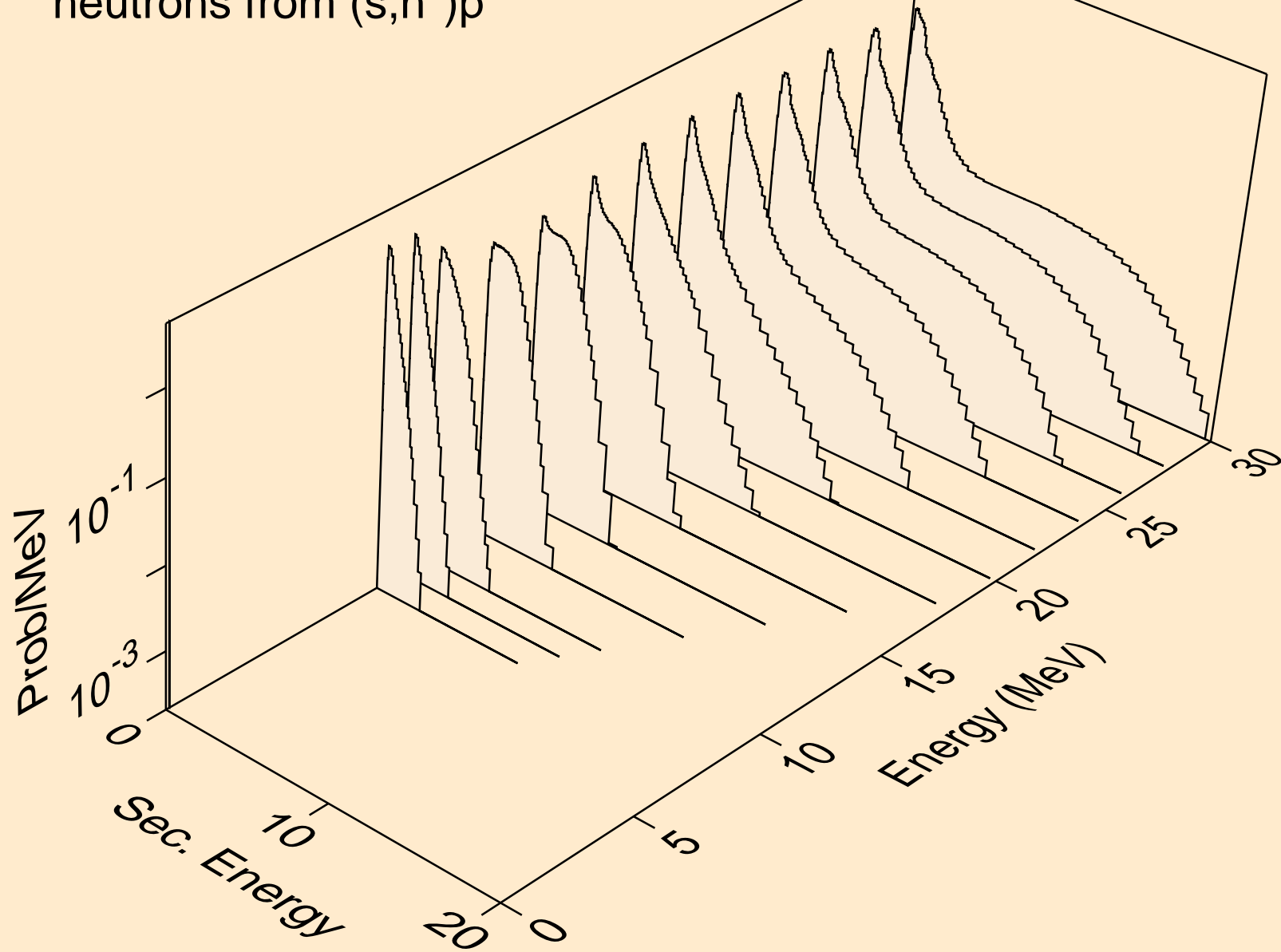
AT227 HELION ACER TENDL-2021 LIBRARY; T=0.K  
neutrons from (s,2n)a



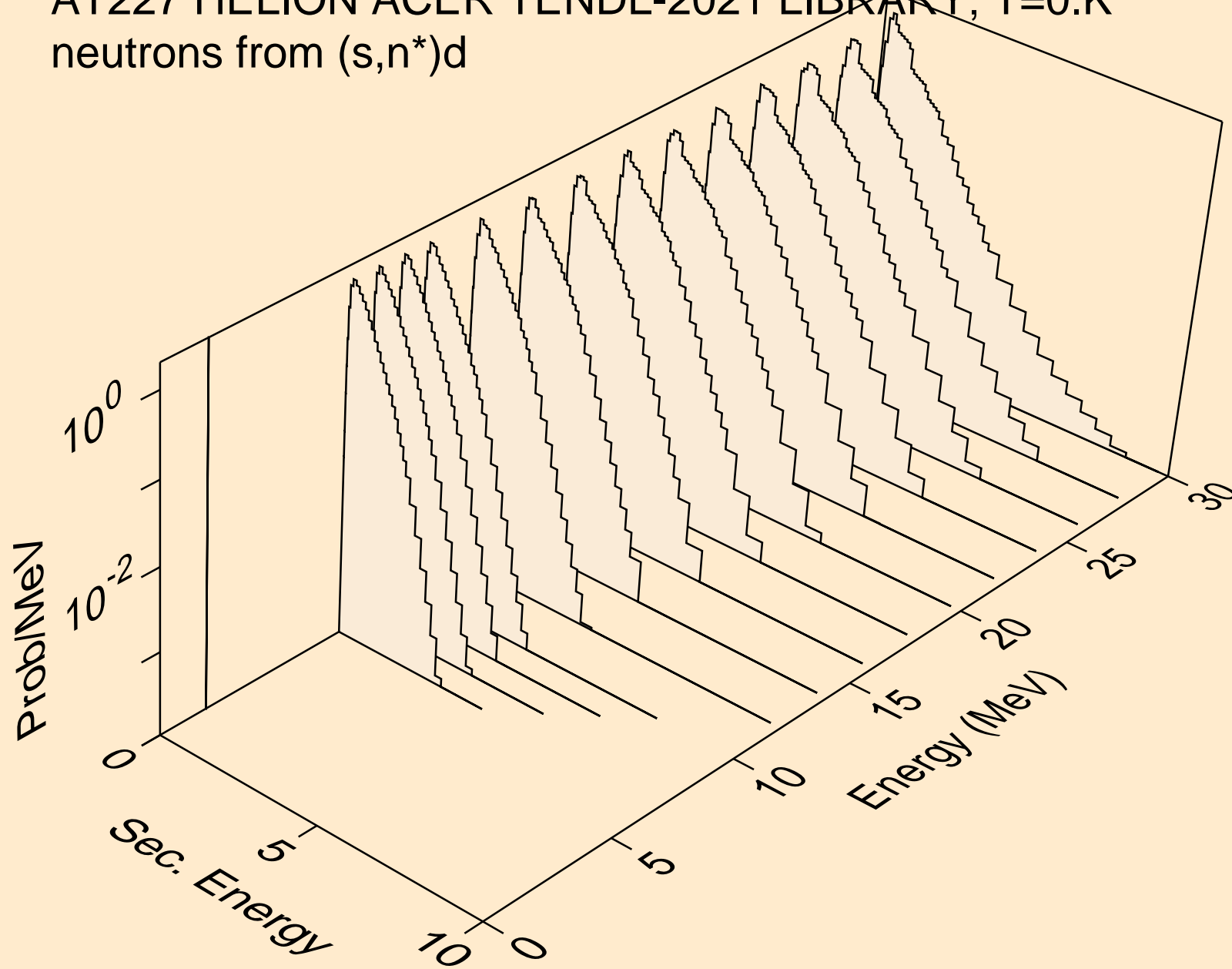
AT227 HELION ACER TENDL-2021 LIBRARY; T=0.K  
neutrons from (s,3n)a



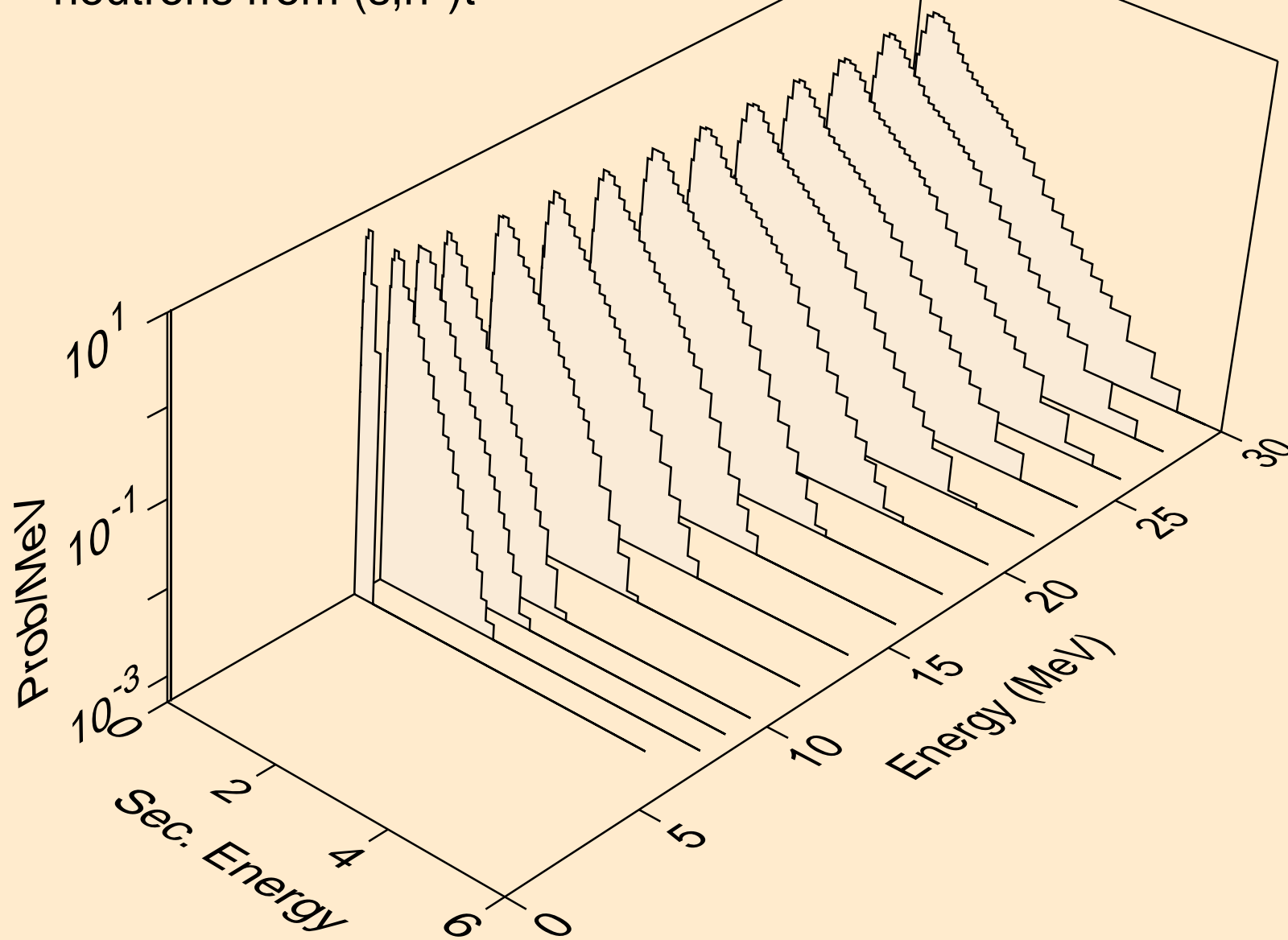
AT227 HELION ACER TENDL-2021 LIBRARY; T=0.K  
neutrons from (s,n\*)p



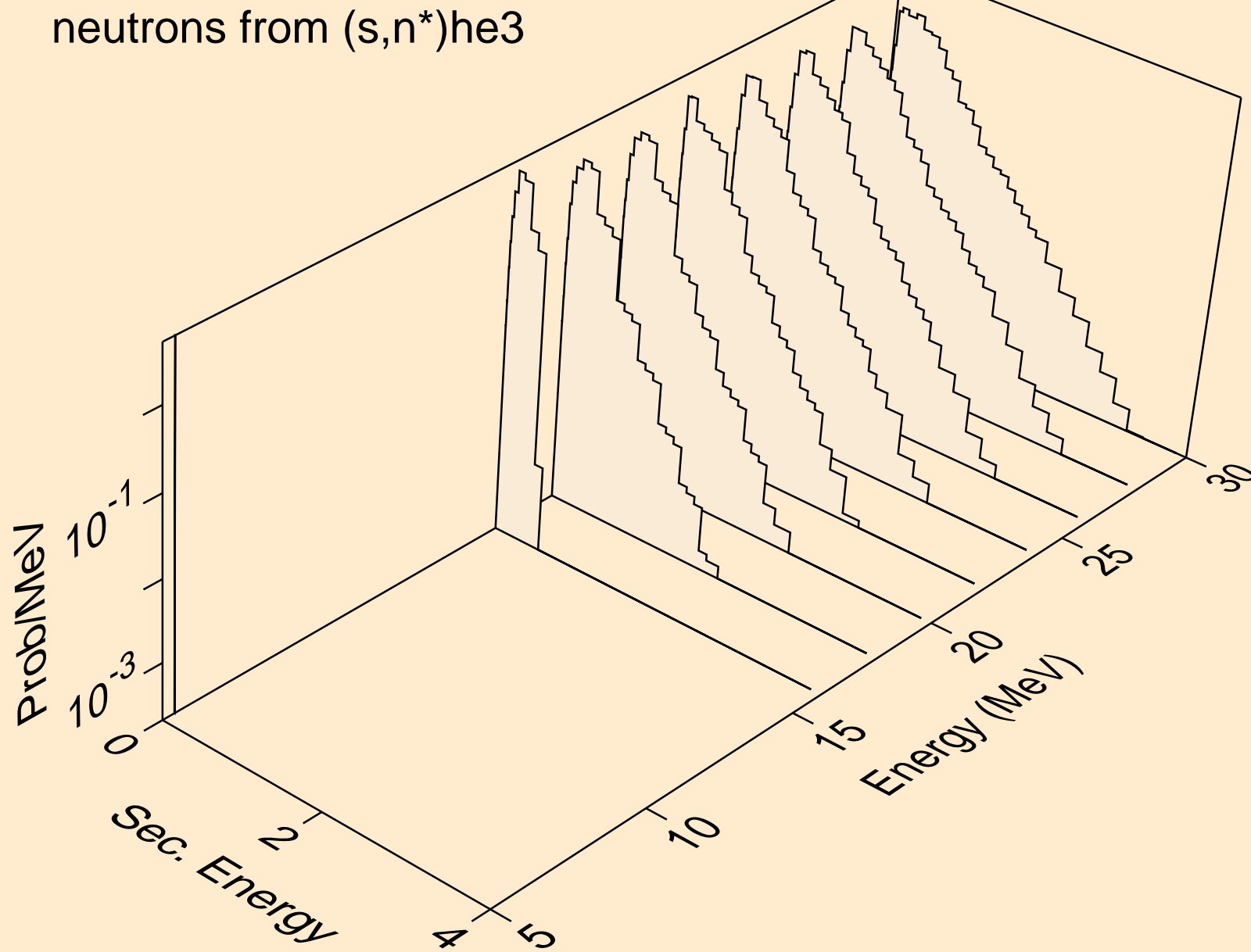
AT227 HELION ACER TENDL-2021 LIBRARY; T=0.K  
neutrons from (s,n\*)d



AT227 HELION ACER TENDL-2021 LIBRARY; T=0.K  
neutrons from (s,n\*)t

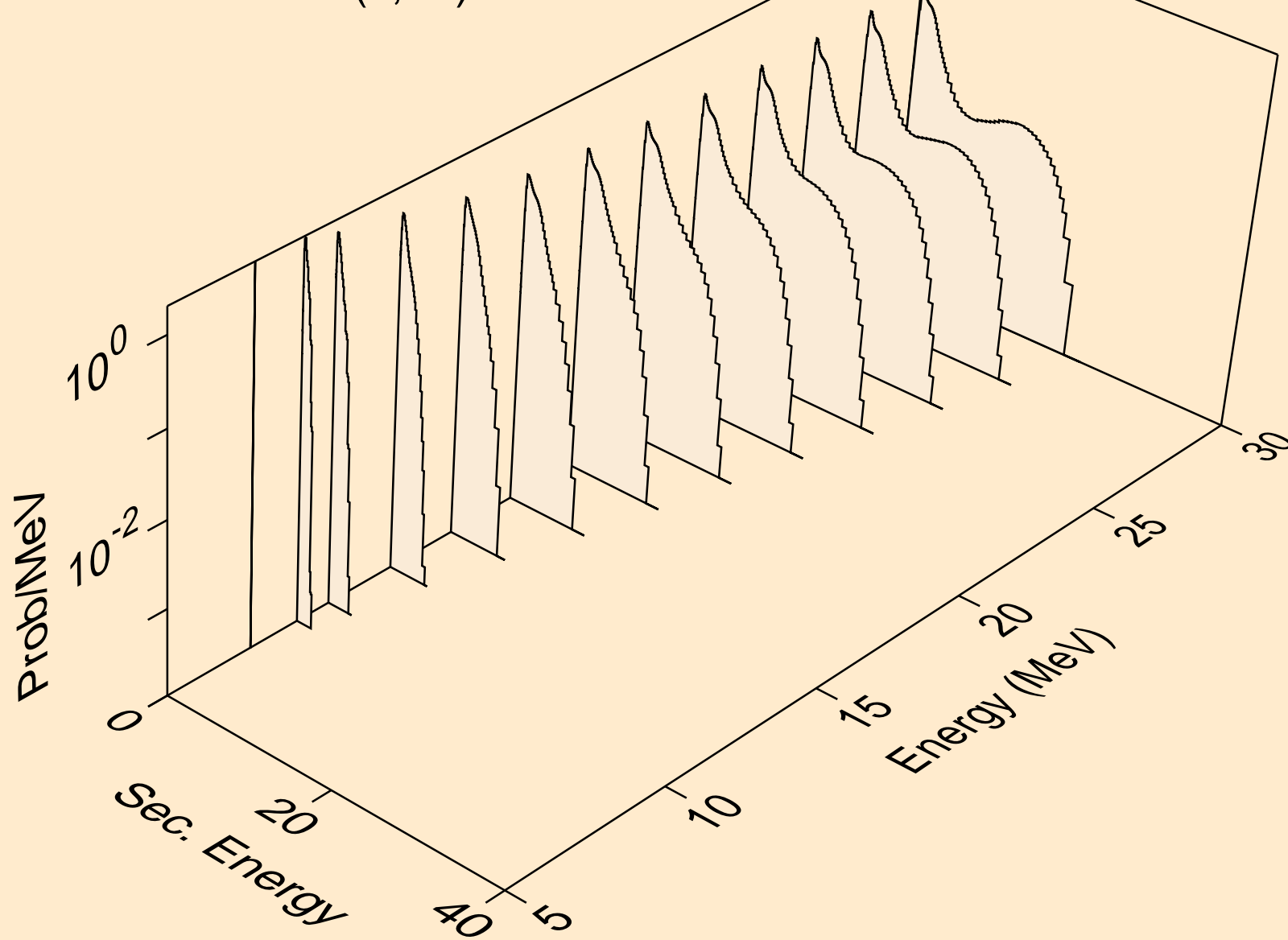


AT227 HELION ACER TENDL-2021 LIBRARY; T=0.K  
neutrons from (s,n\*)he3

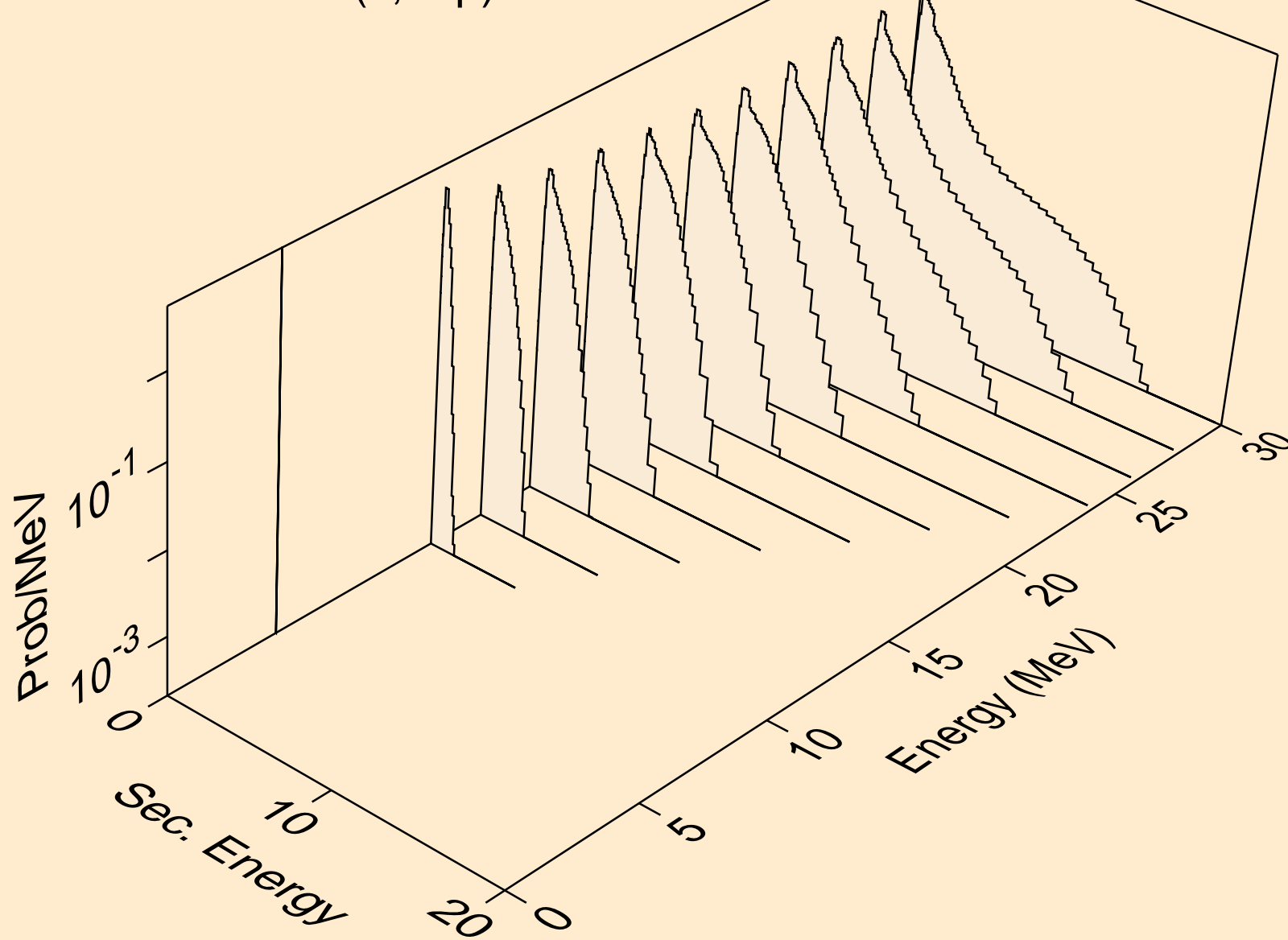




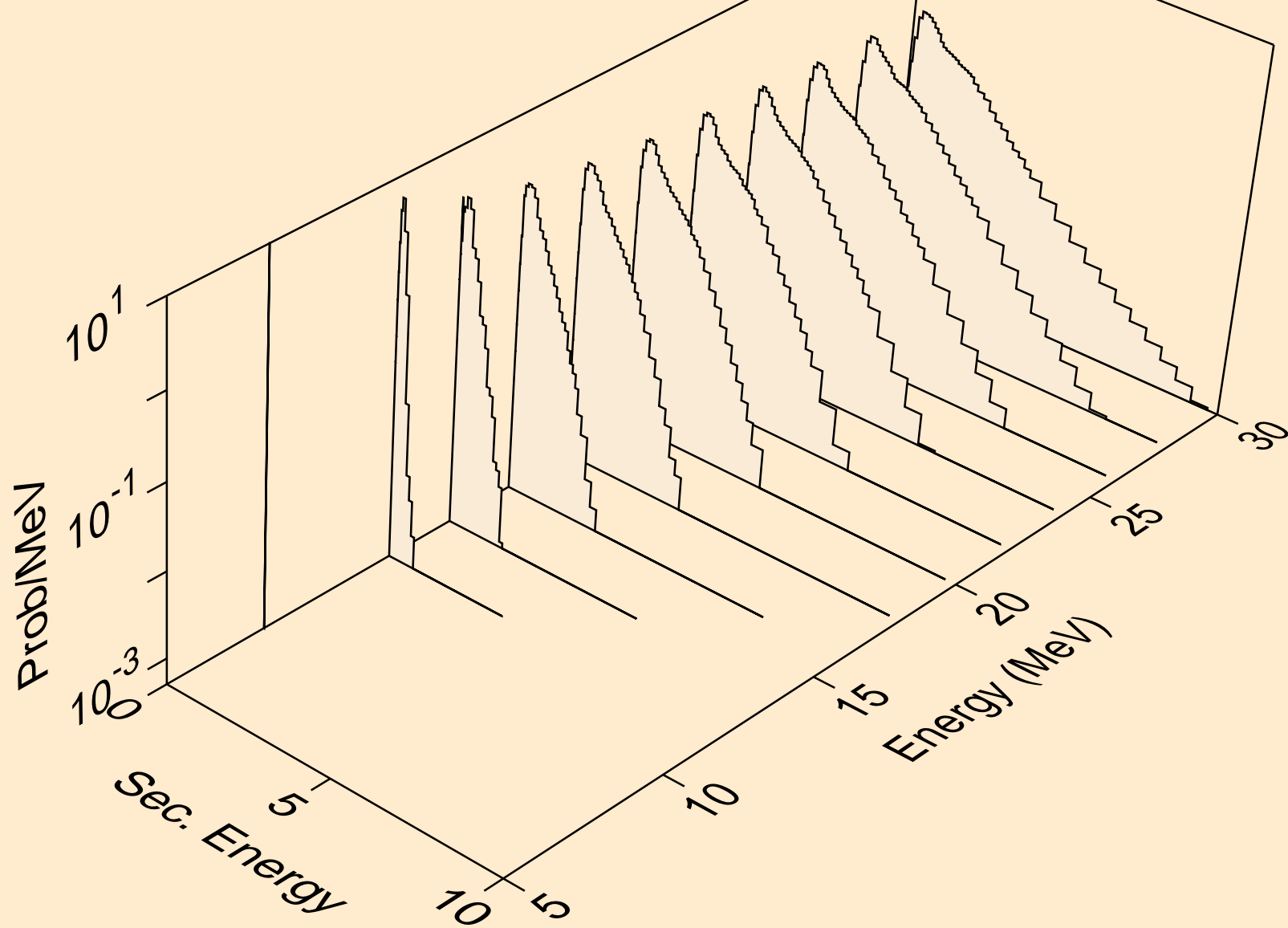
AT227 HELION ACER TENDL-2021 LIBRARY; T=0.K  
neutrons from (s,4n)



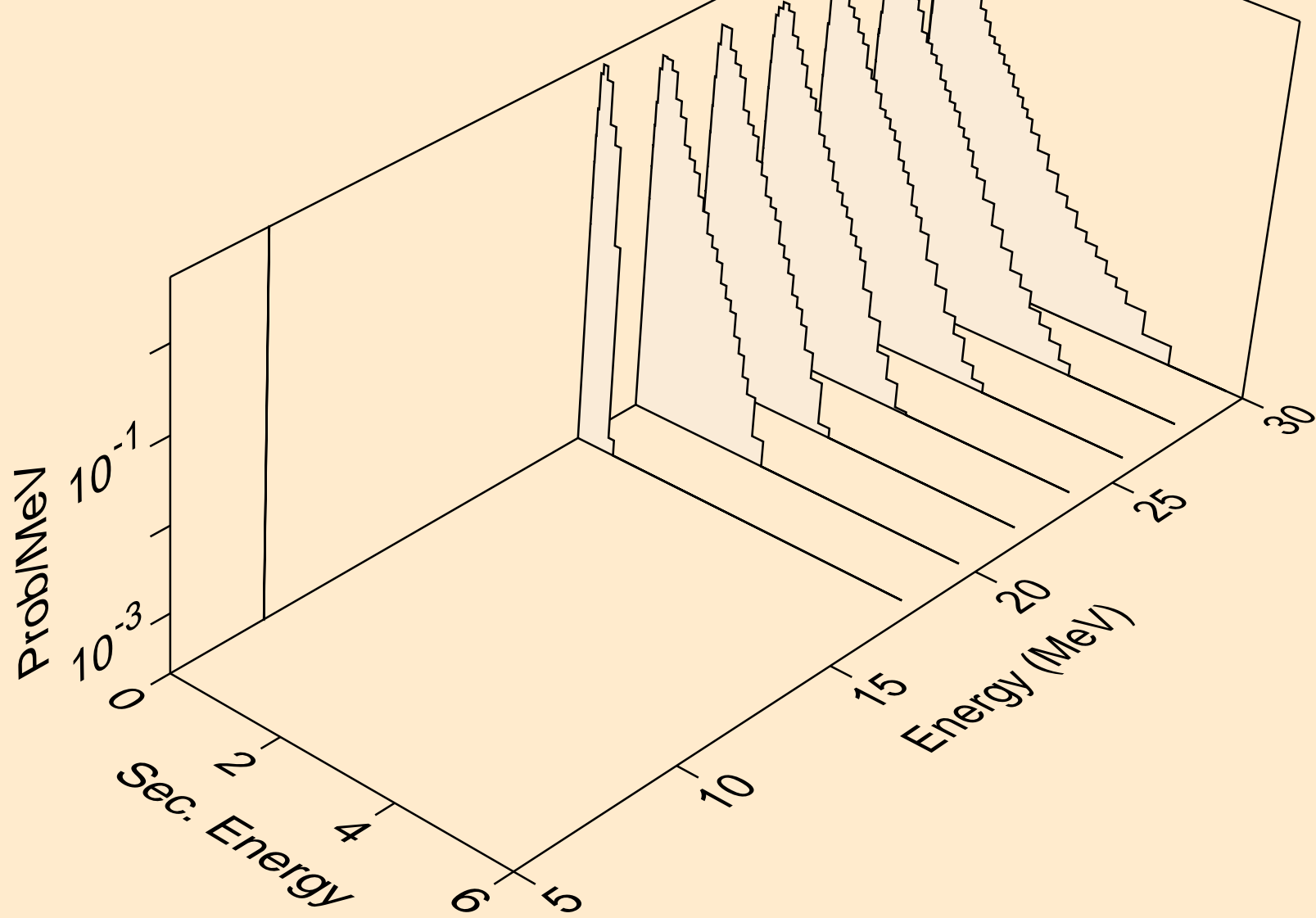
AT227 HELION ACER TENDL-2021 LIBRARY; T=0.K  
neutrons from (s,2np)



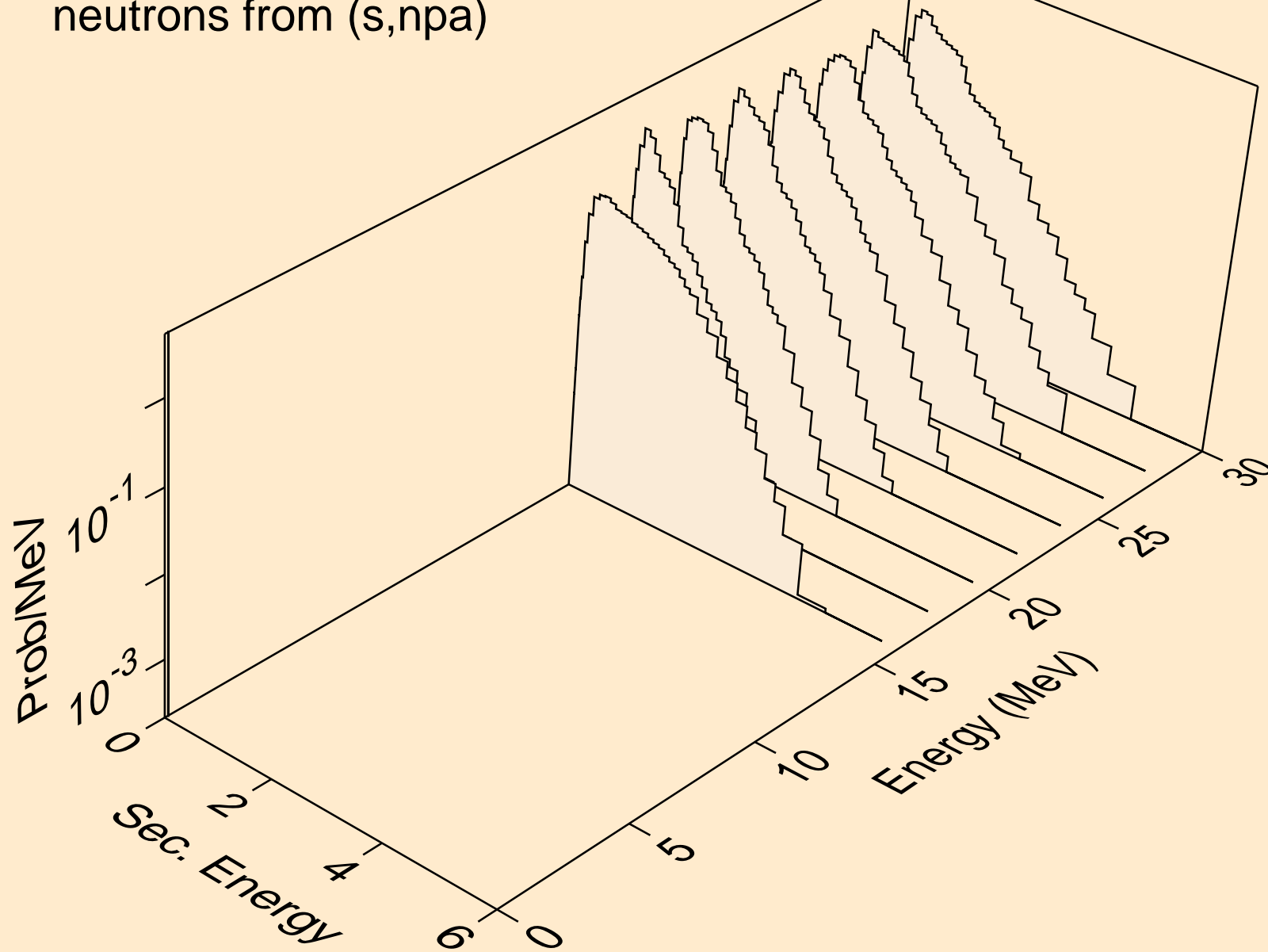
AT227 HELION ACER TENDL-2021 LIBRARY; T=0.K  
neutrons from (s,3np)



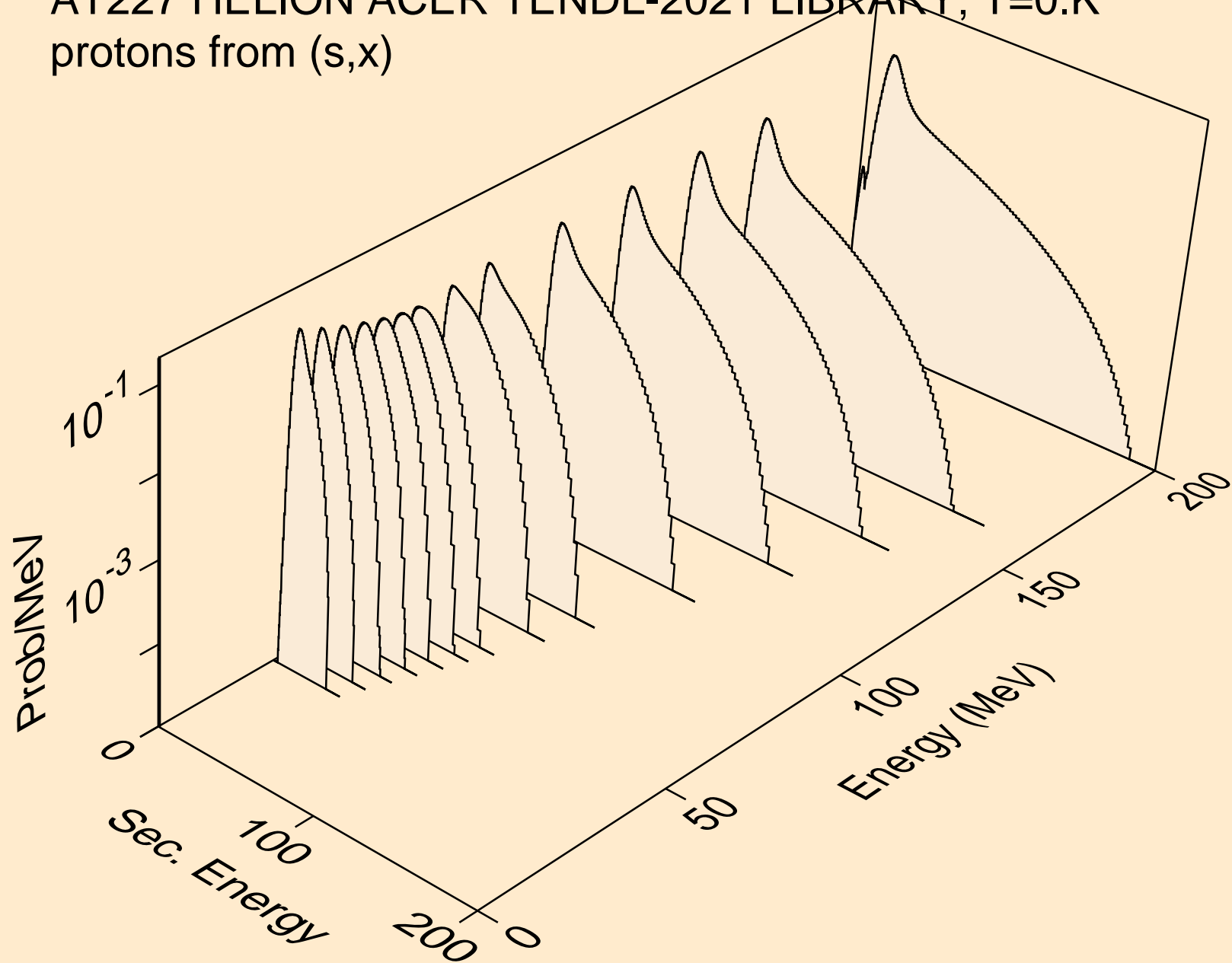
AT227 HELION ACER TENDL-2021 LIBRARY; T=0.K  
neutrons from (s,2np)



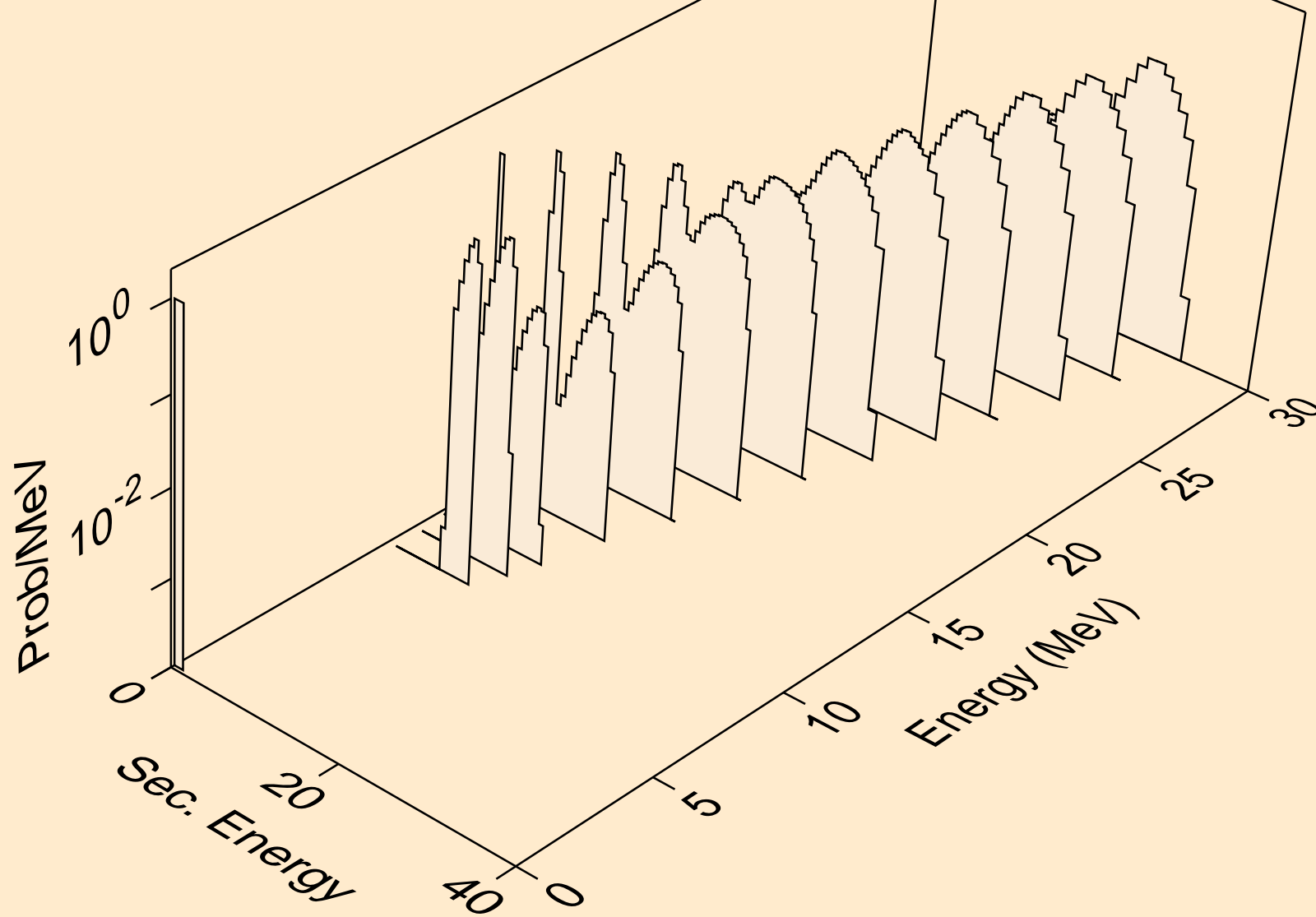
AT227 HELION ACER TENDL-2021 LIBRARY; T=0.K  
neutrons from (s,npa)



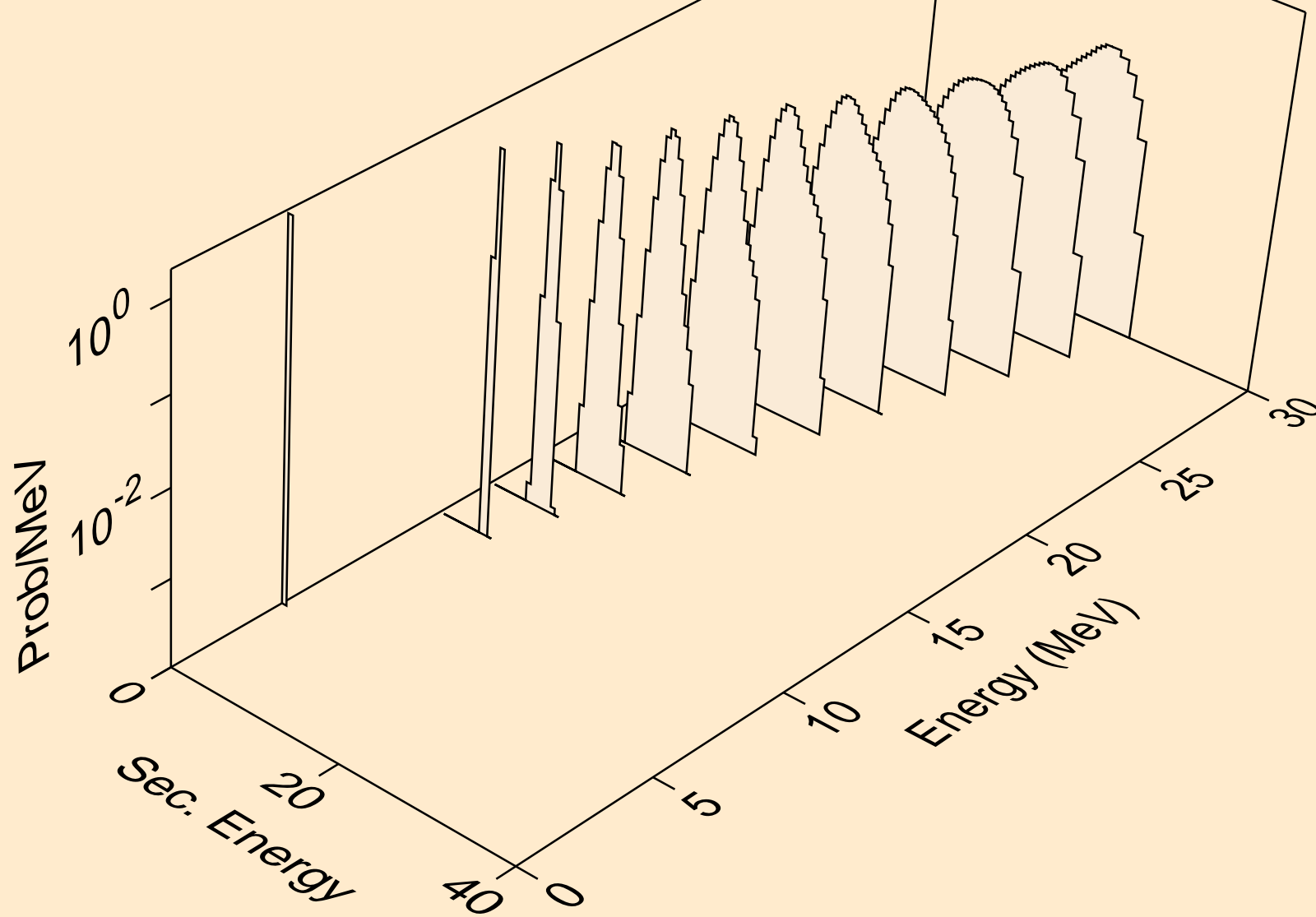
AT227 HELION ACER TENDL-2021 LIBRARY; T=0.K  
protons from (s,x)



AT227 HELION ACER TENDL-2021 LIBRARY; T=0.K  
protons from (s,n\*)p

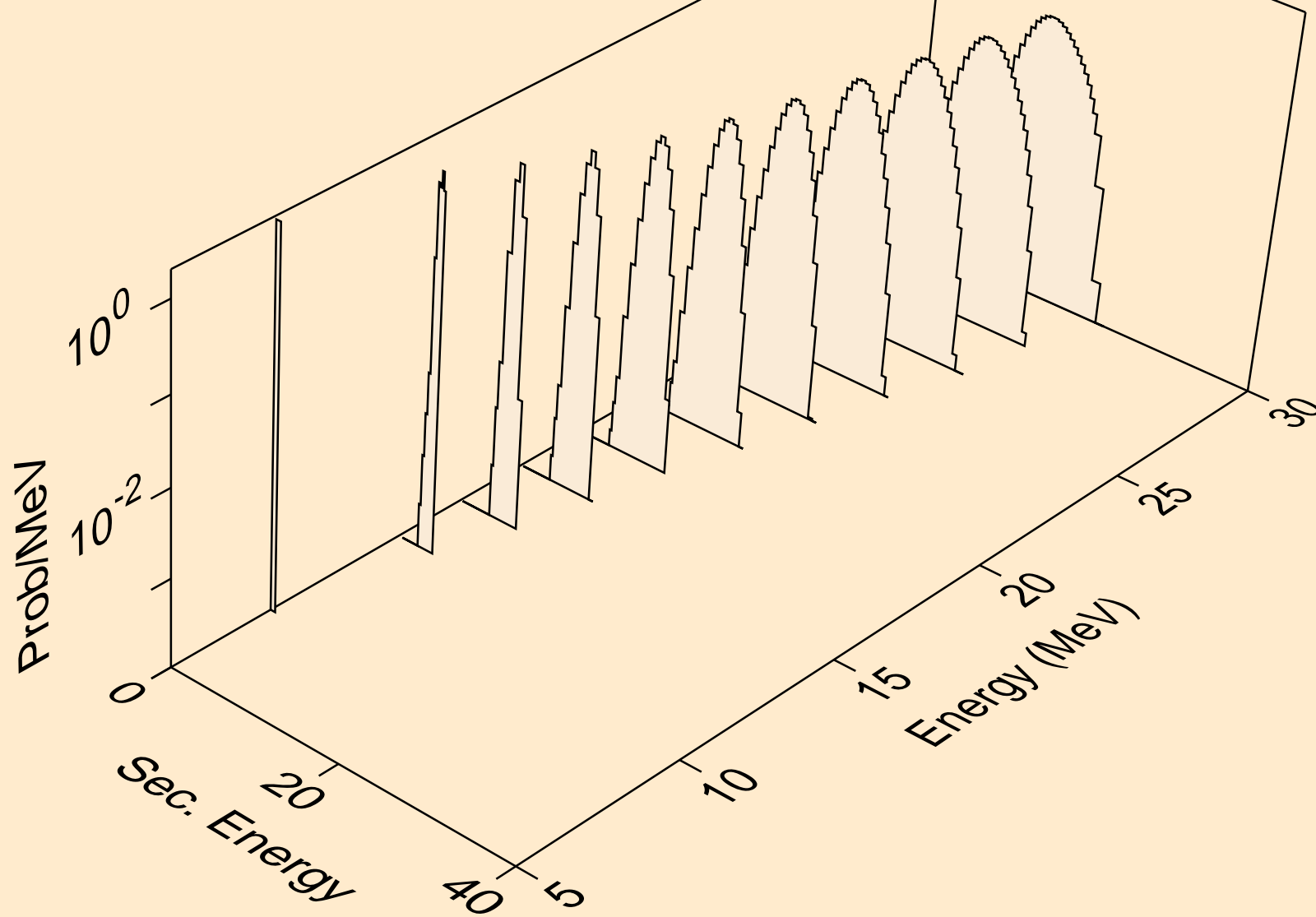


AT227 HELION ACER TENDL-2021 LIBRARY; T=0.K  
protons from (s,2np)

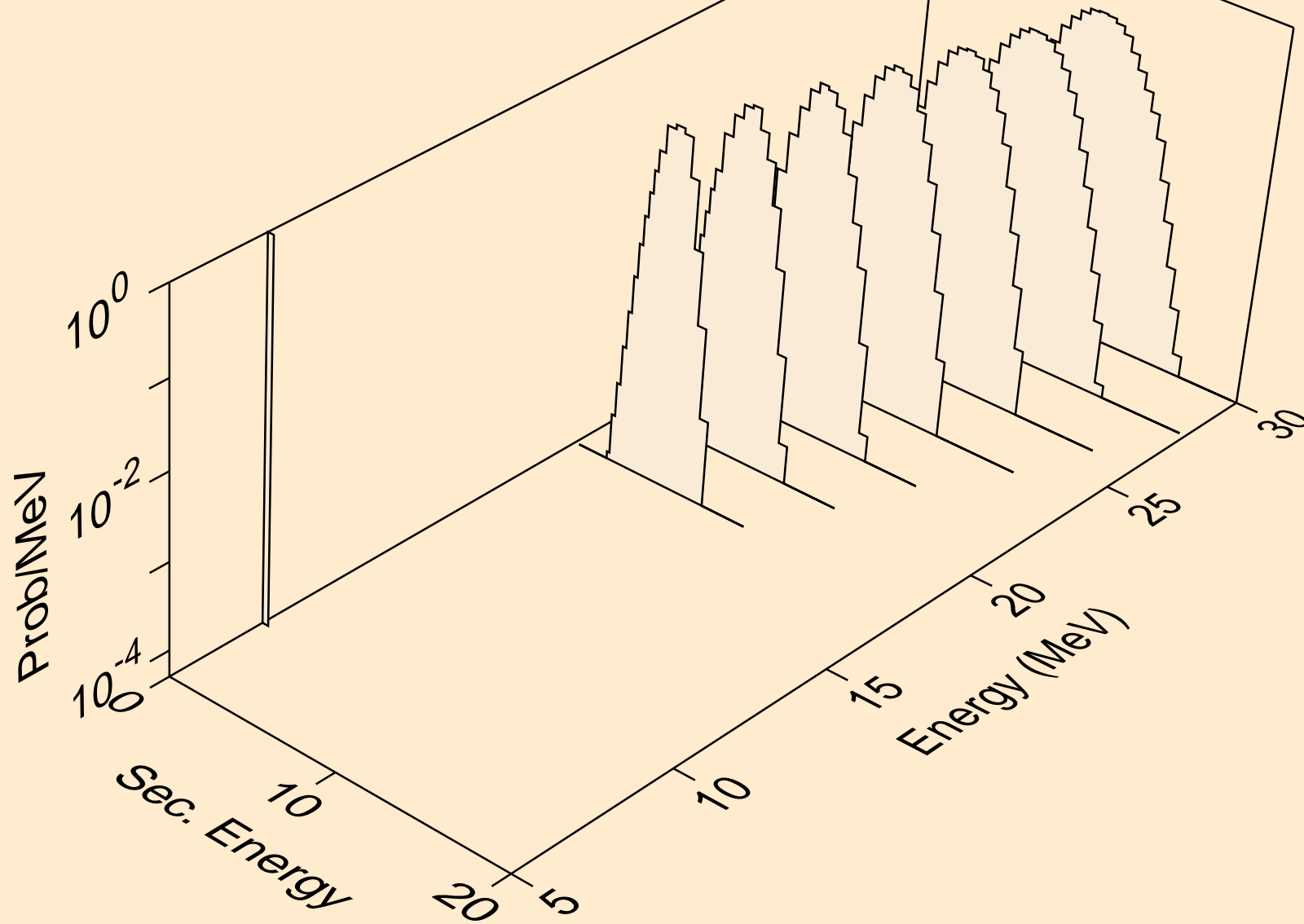




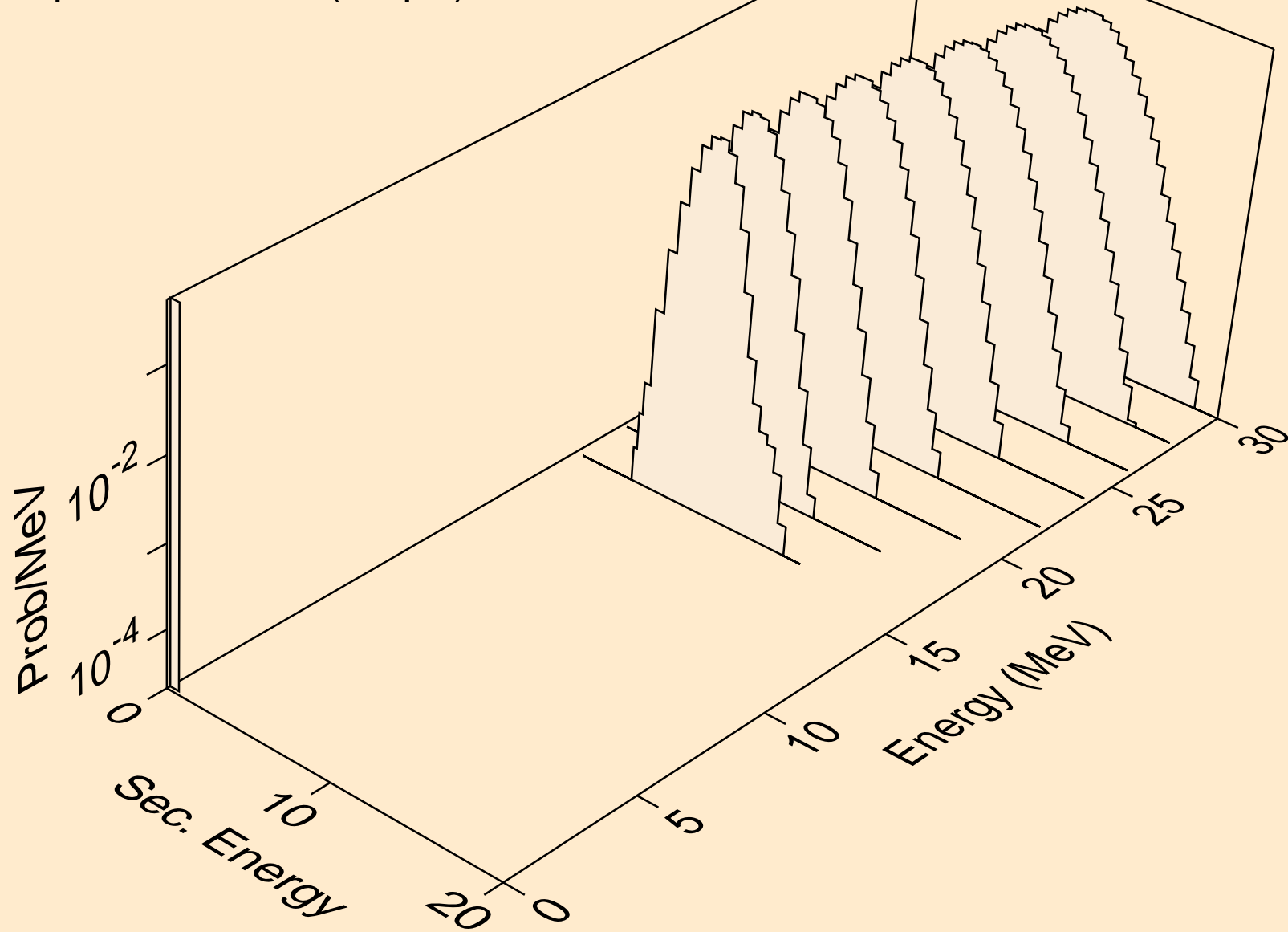
AT227 HELION ACER TENDL-2021 LIBRARY; T=0.K  
protons from (s,3np)



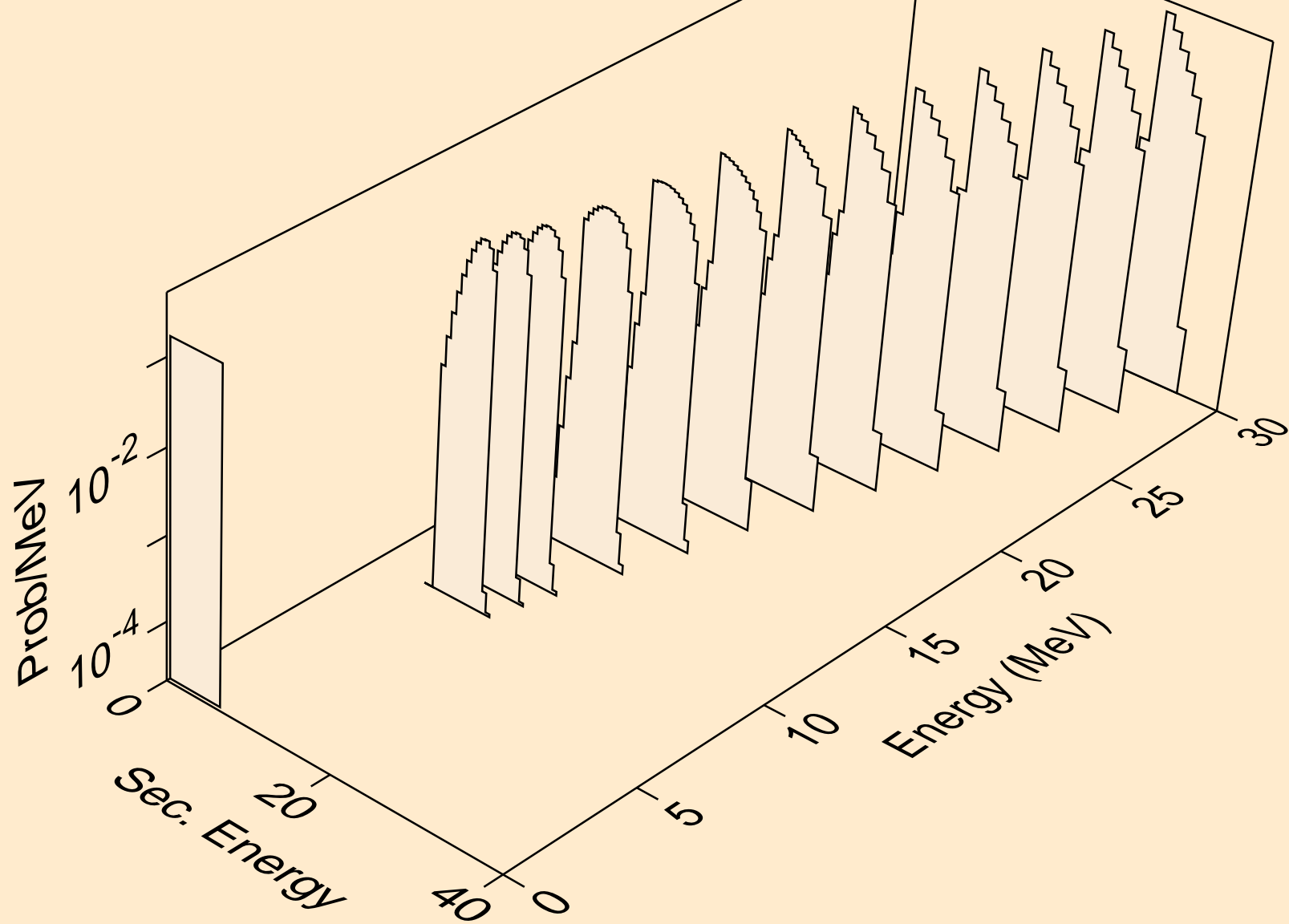
AT227 HELION ACER TENDL-2021 LIBRARY; T=0.K  
protons from (s,2np)



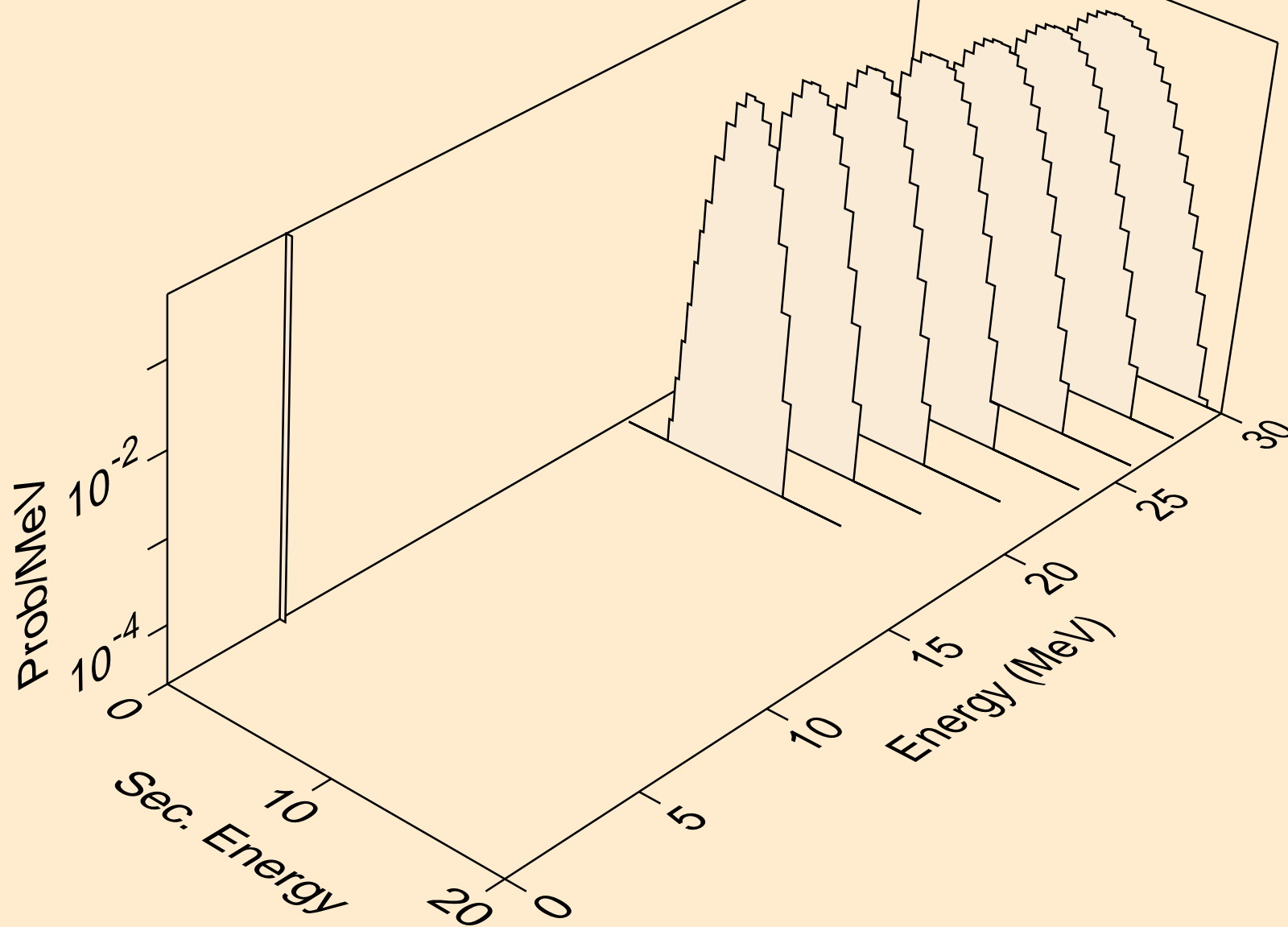
AT227 HELION ACER TENDL-2021 LIBRARY; T=0.K  
protons from (s,npa)



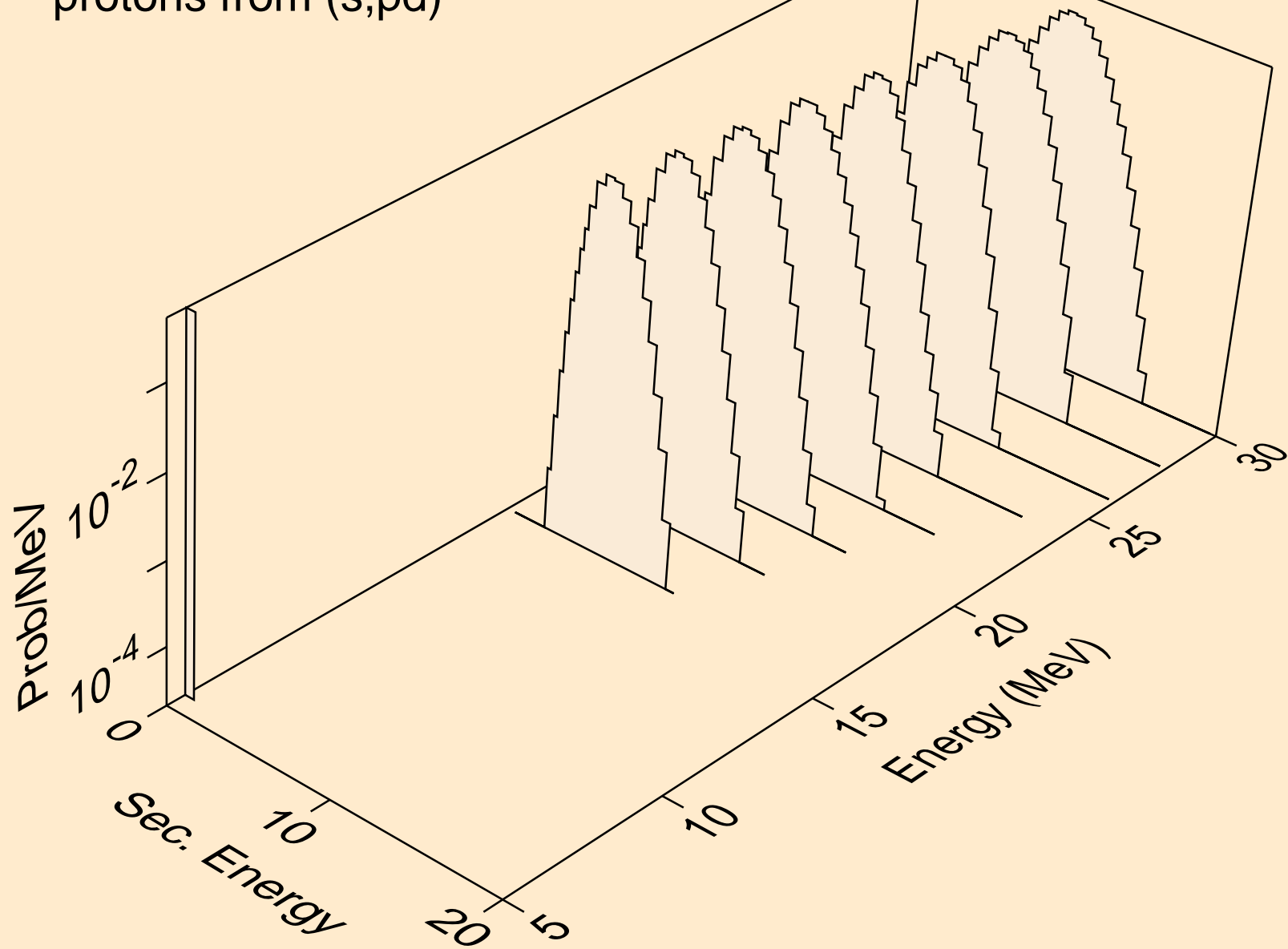
AT227 HELION ACER TENDL-2021 LIBRARY; T=0.K  
protons from (s,p)



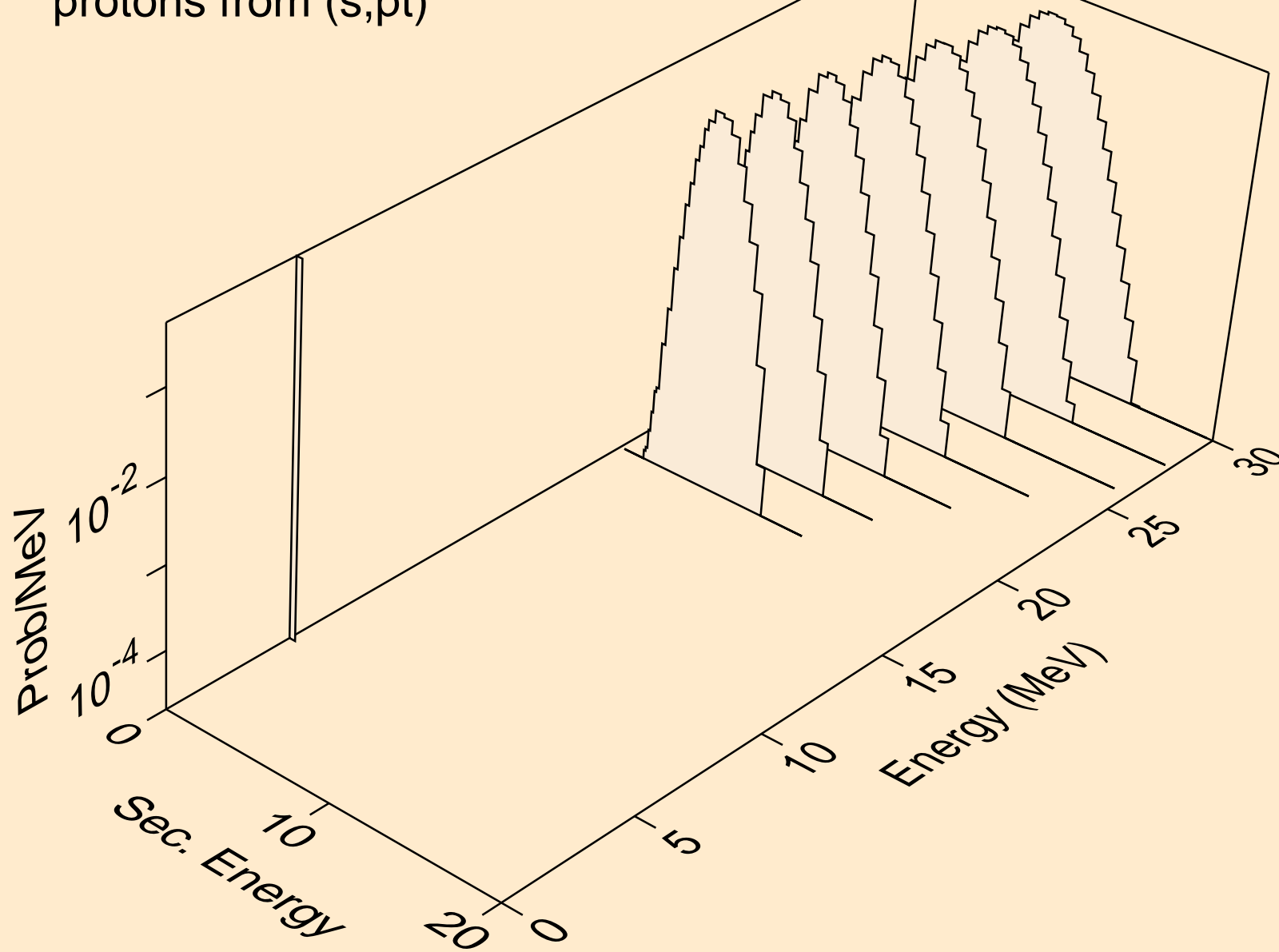
AT227 HELION ACER TENDL-2021 LIBRARY; T=0.K  
protons from (s,2p)



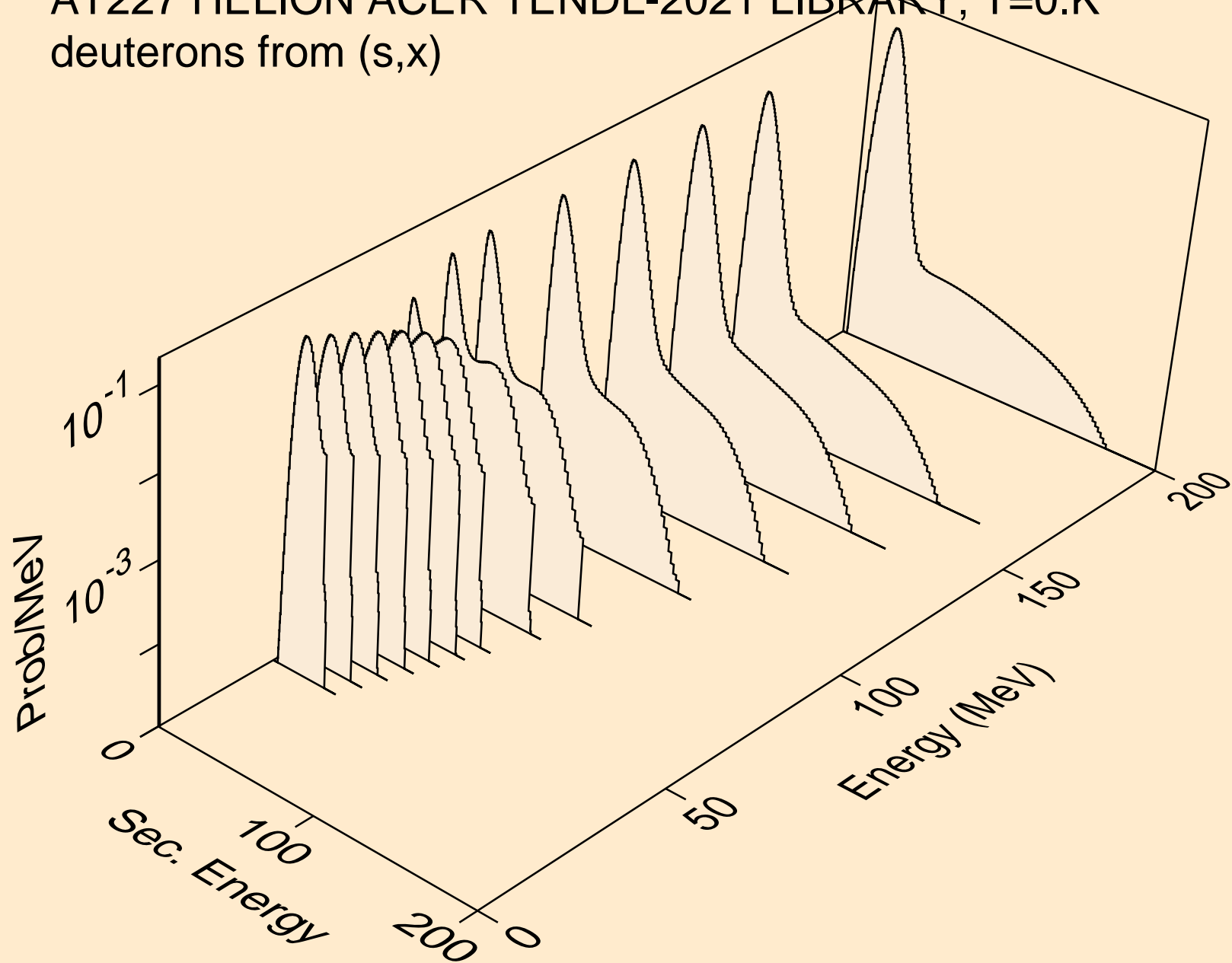
AT227 HELION ACER TENDL-2021 LIBRARY; T=0.K  
protons from (s,pd)



AT227 HELION ACER TENDL-2021 LIBRARY; T=0.K  
protons from (s,pt)

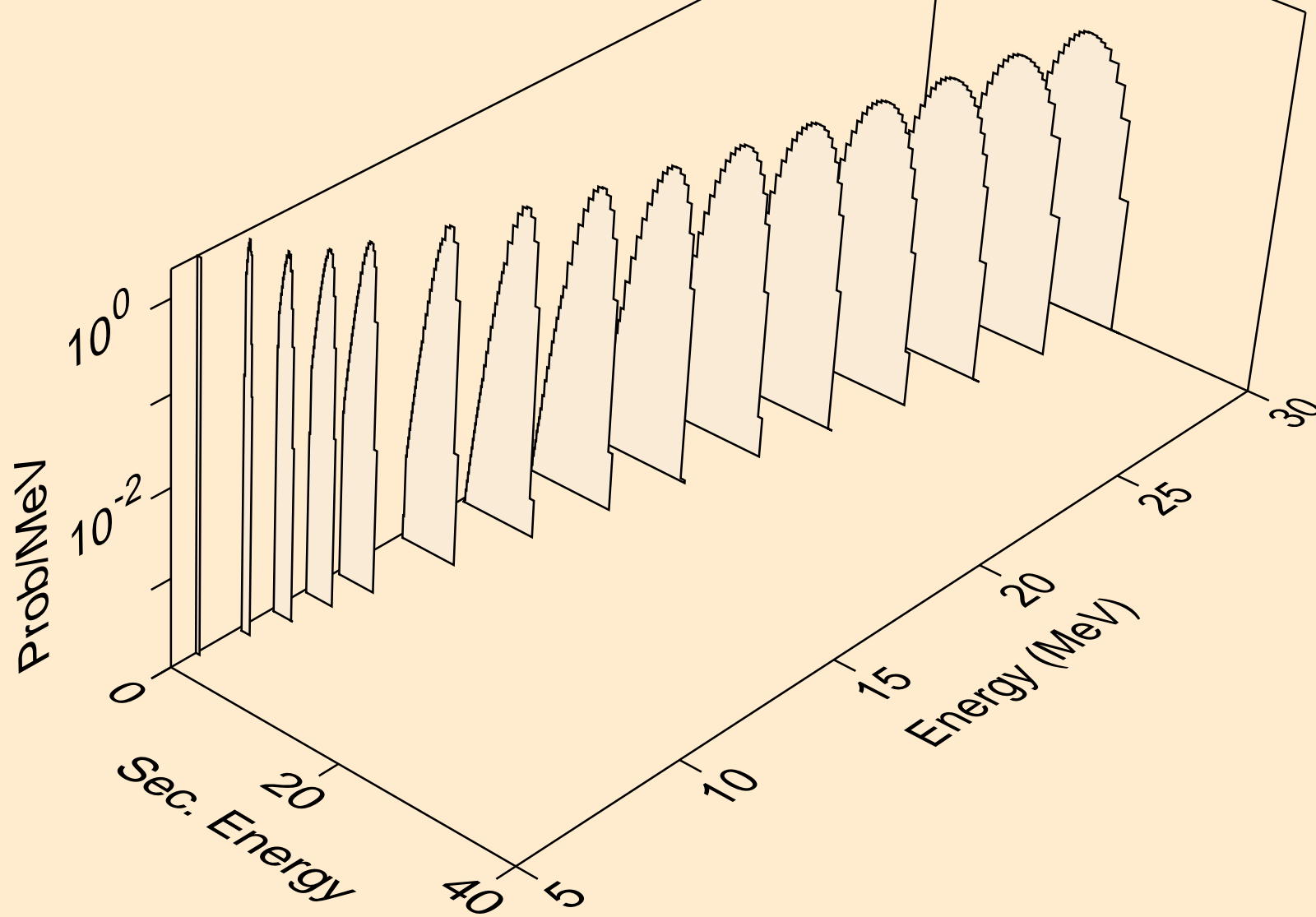


AT227 HELION ACER TENDL-2021 LIBRARY; T=0.K  
deuterons from (s,x)

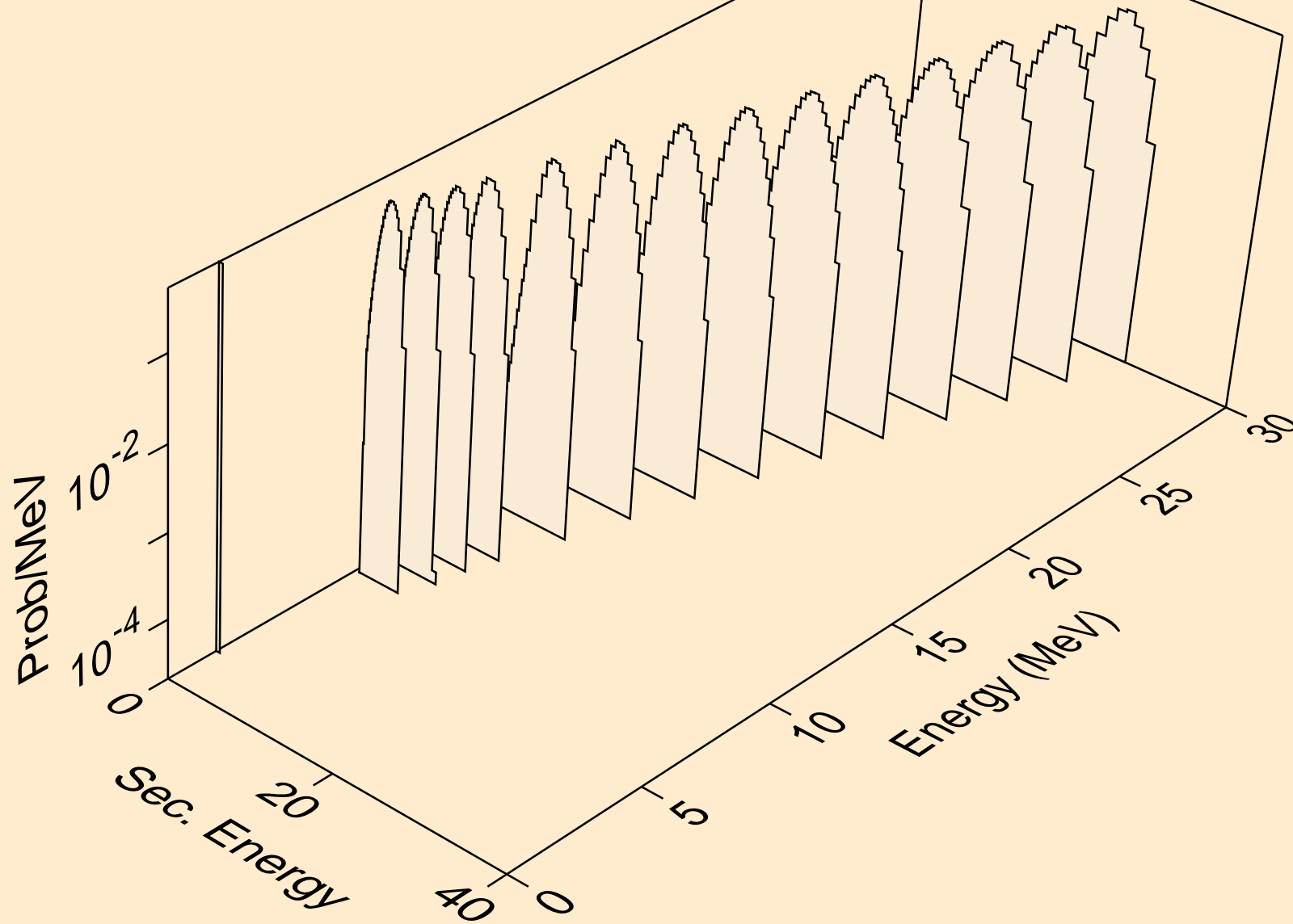




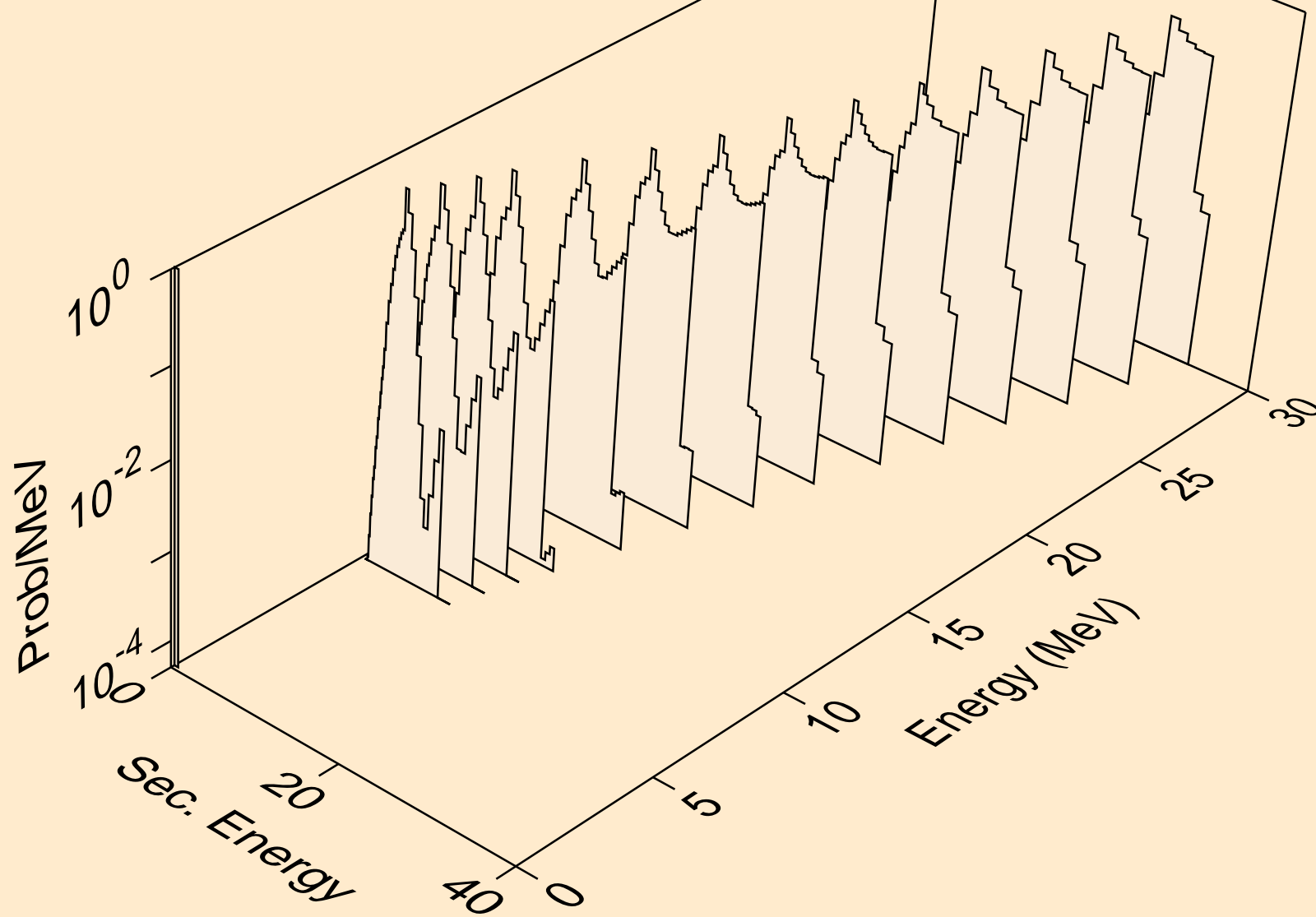
AT227 HELION ACER TENDL-2021 LIBRARY; T=0.K  
deuterons from (s,2nd)



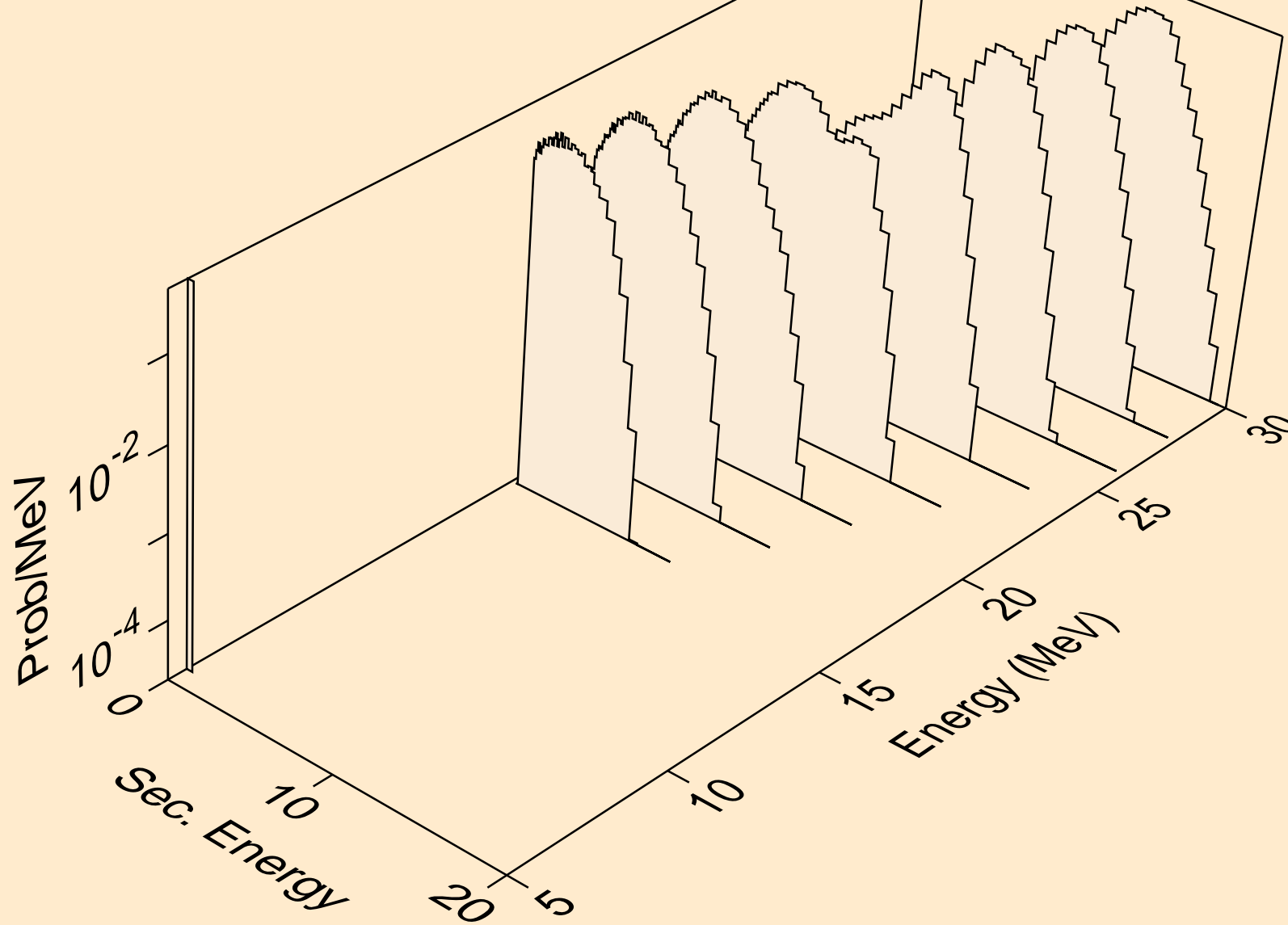
AT227 HELION ACER TENDL-2021 LIBRARY; T=0.K  
deuterons from (s,n\*)d



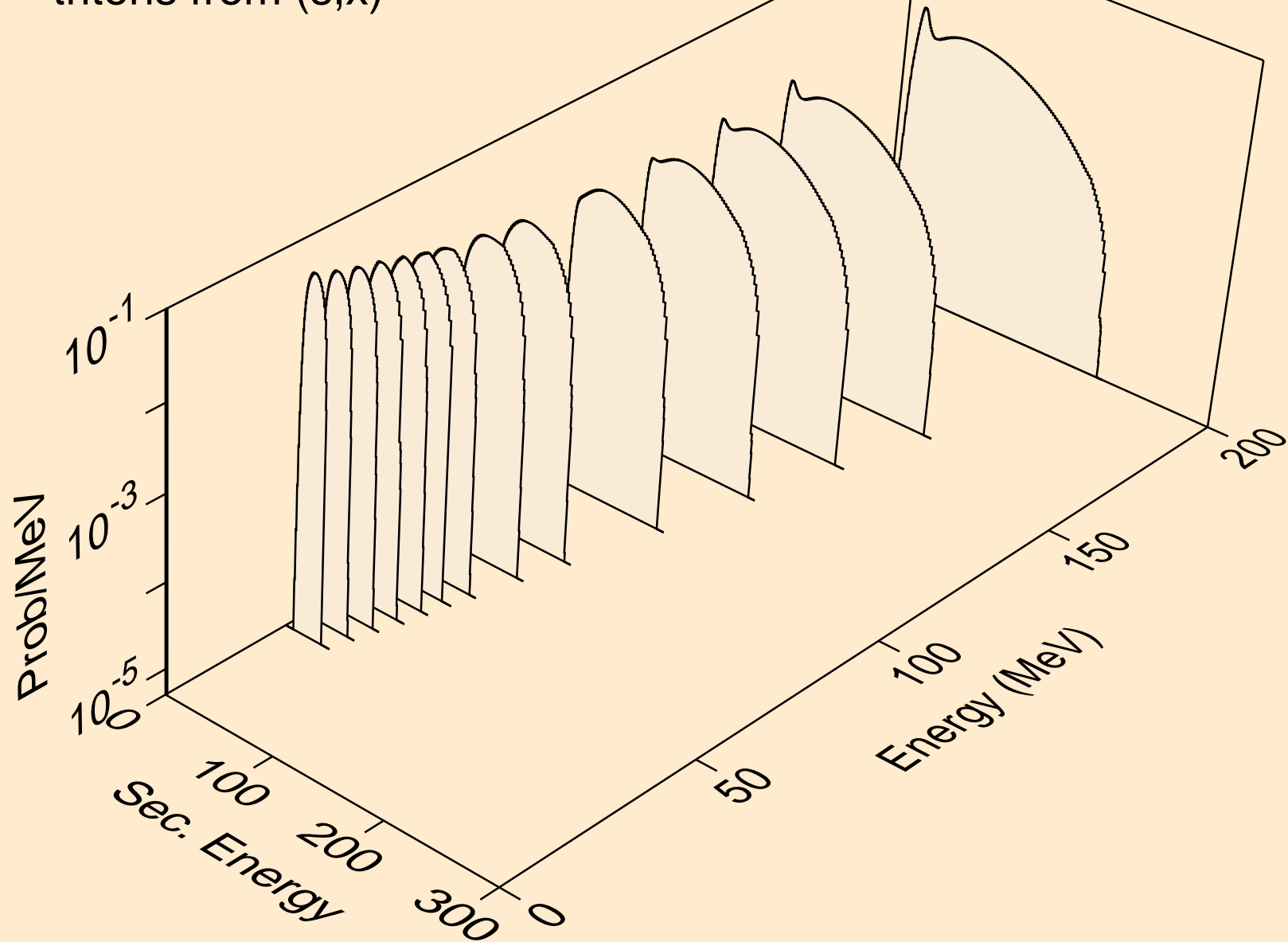
AT227 HELION ACER TENDL-2021 LIBRARY; T=0.K  
deuterons from (s,d)



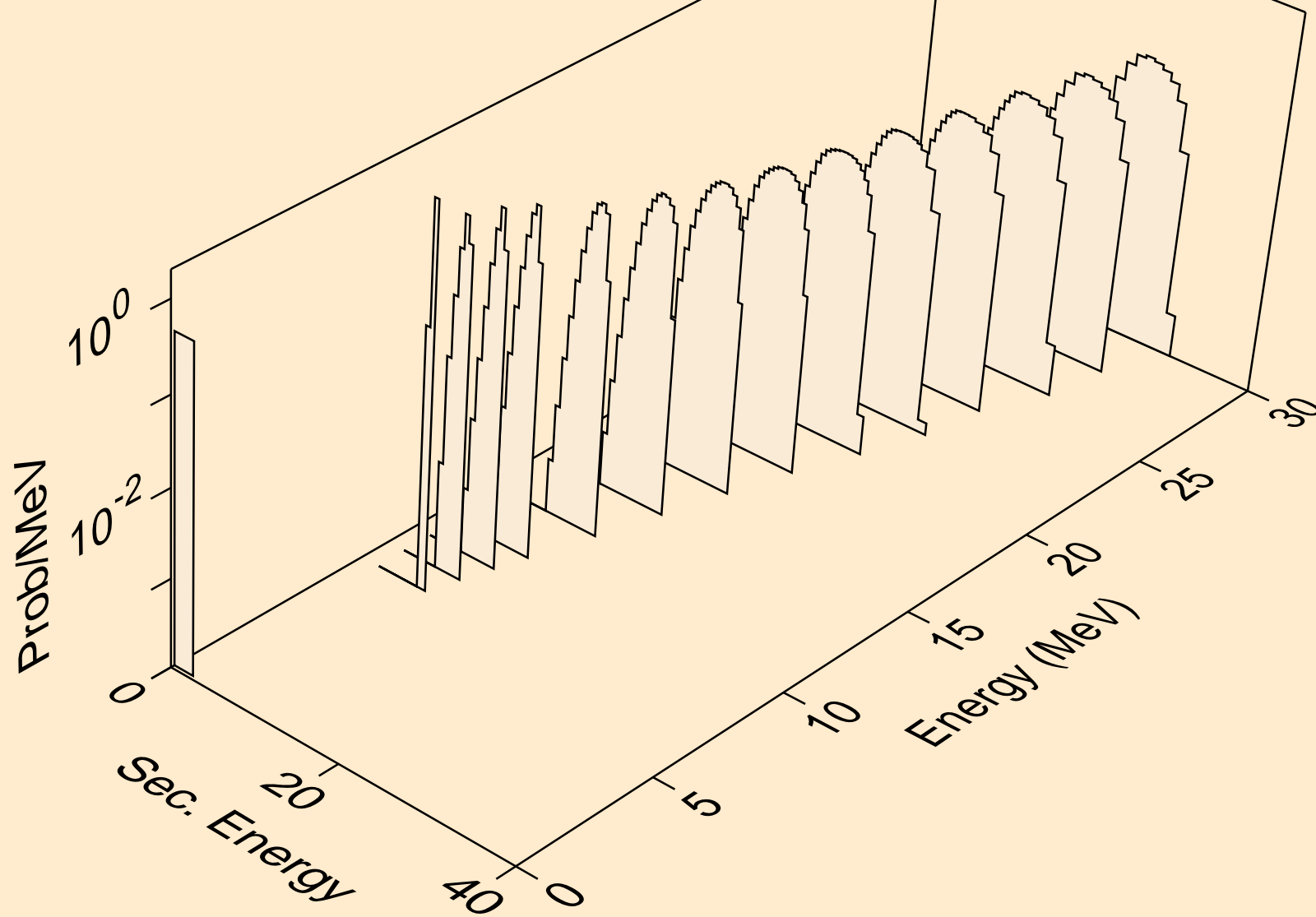
AT227 HELION ACER TENDL-2021 LIBRARY; T=0.K  
deuterons from (s,pd)



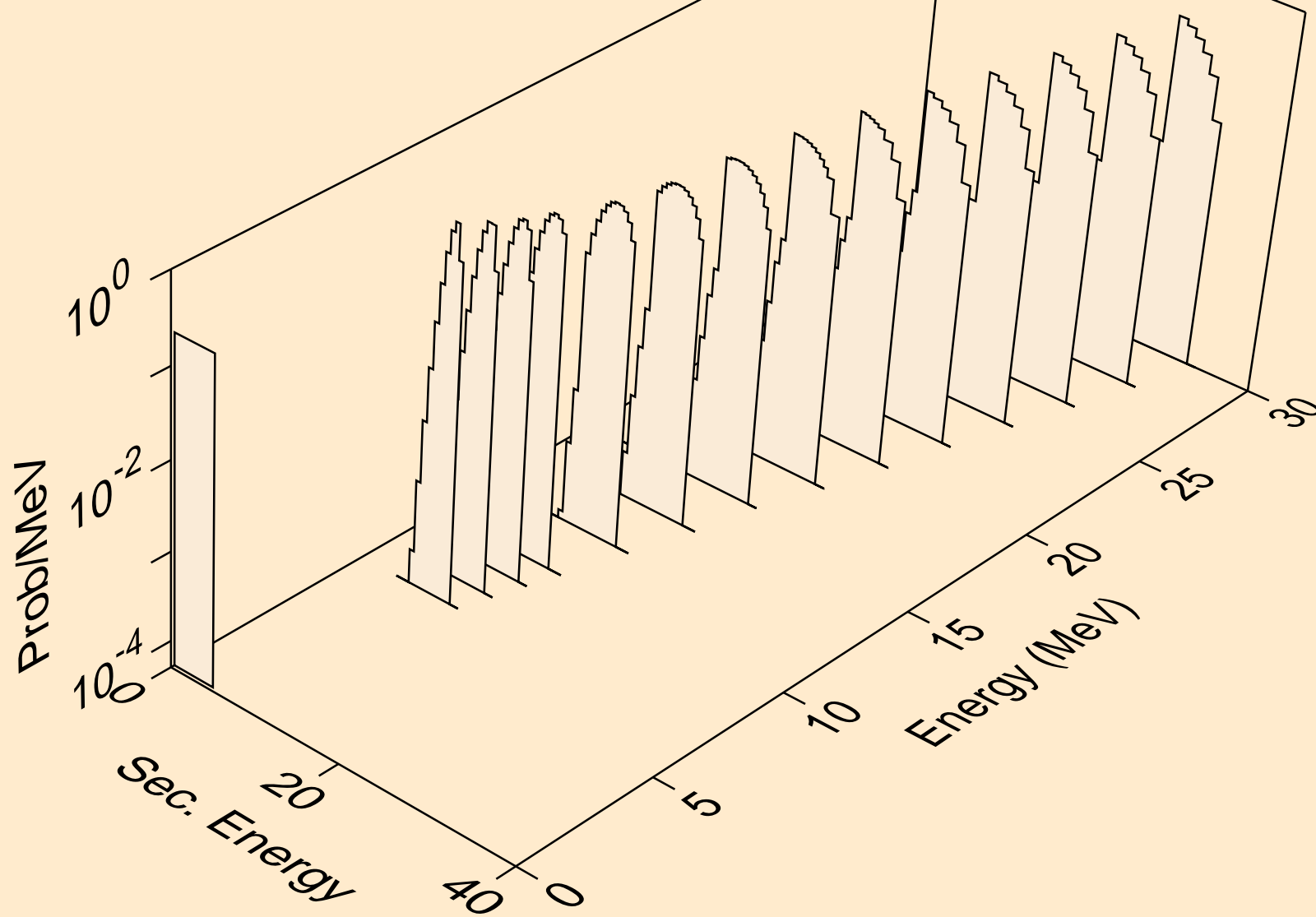
AT227 HELION ACER TENDL-2021 LIBRARY; T=0.K  
tritons from (s,x)



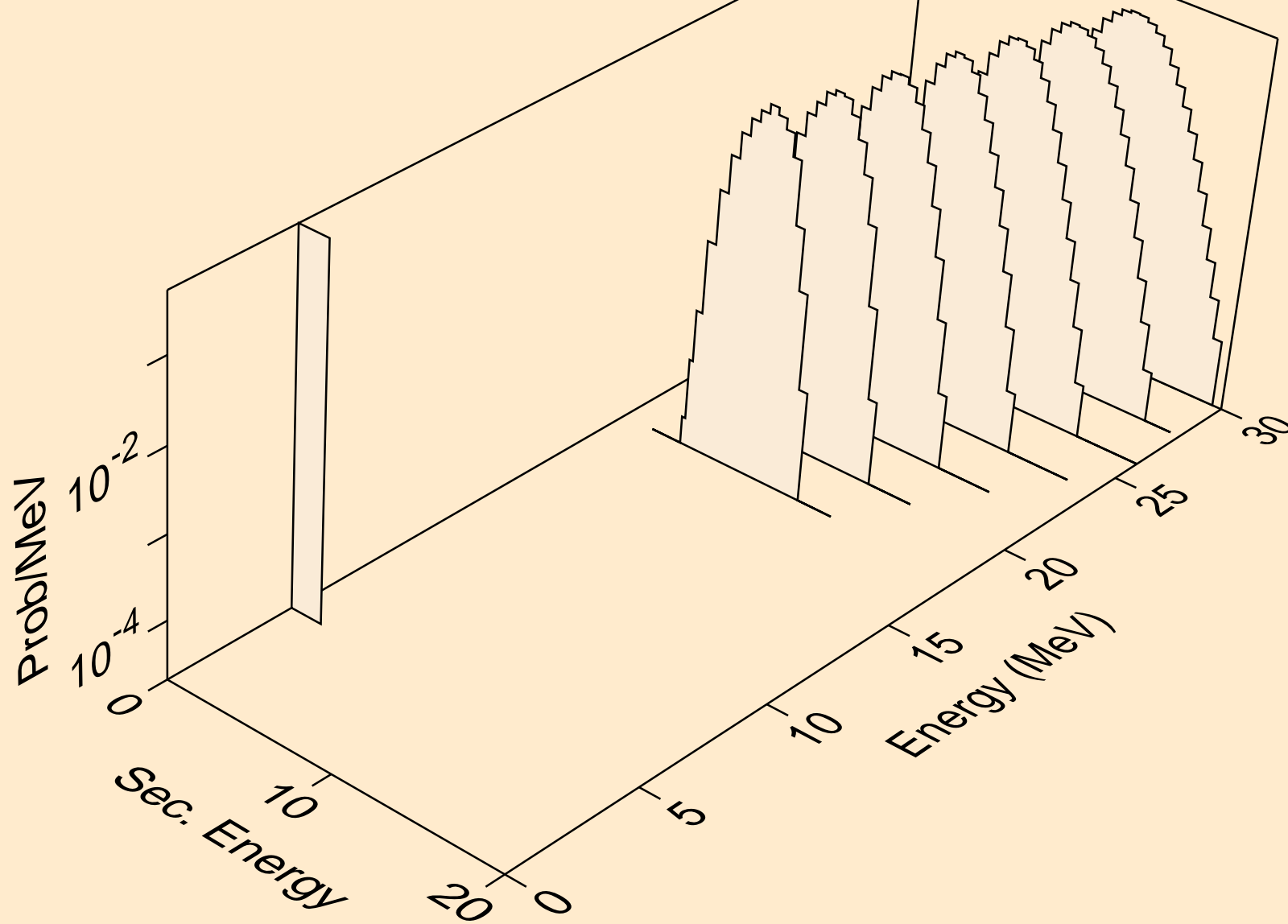
AT227 HELION ACER TENDL-2021 LIBRARY; T=0.K  
tritons from (s,n\*)t



AT227 HELION ACER TENDL-2021 LIBRARY; T=0.K  
tritons from (s,t)

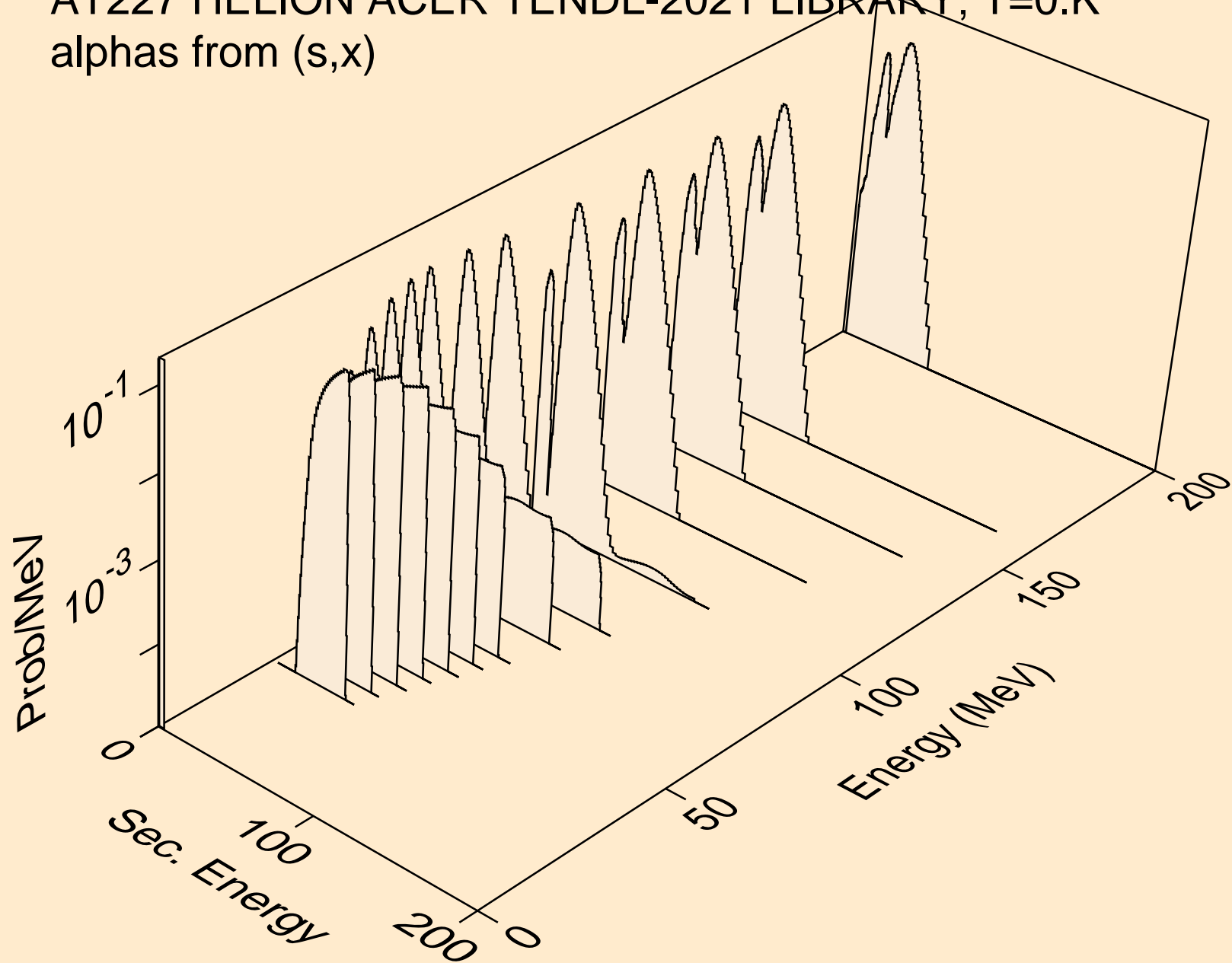


AT227 HELION ACER TENDL-2021 LIBRARY; T=0.K  
tritons from (s,pt)

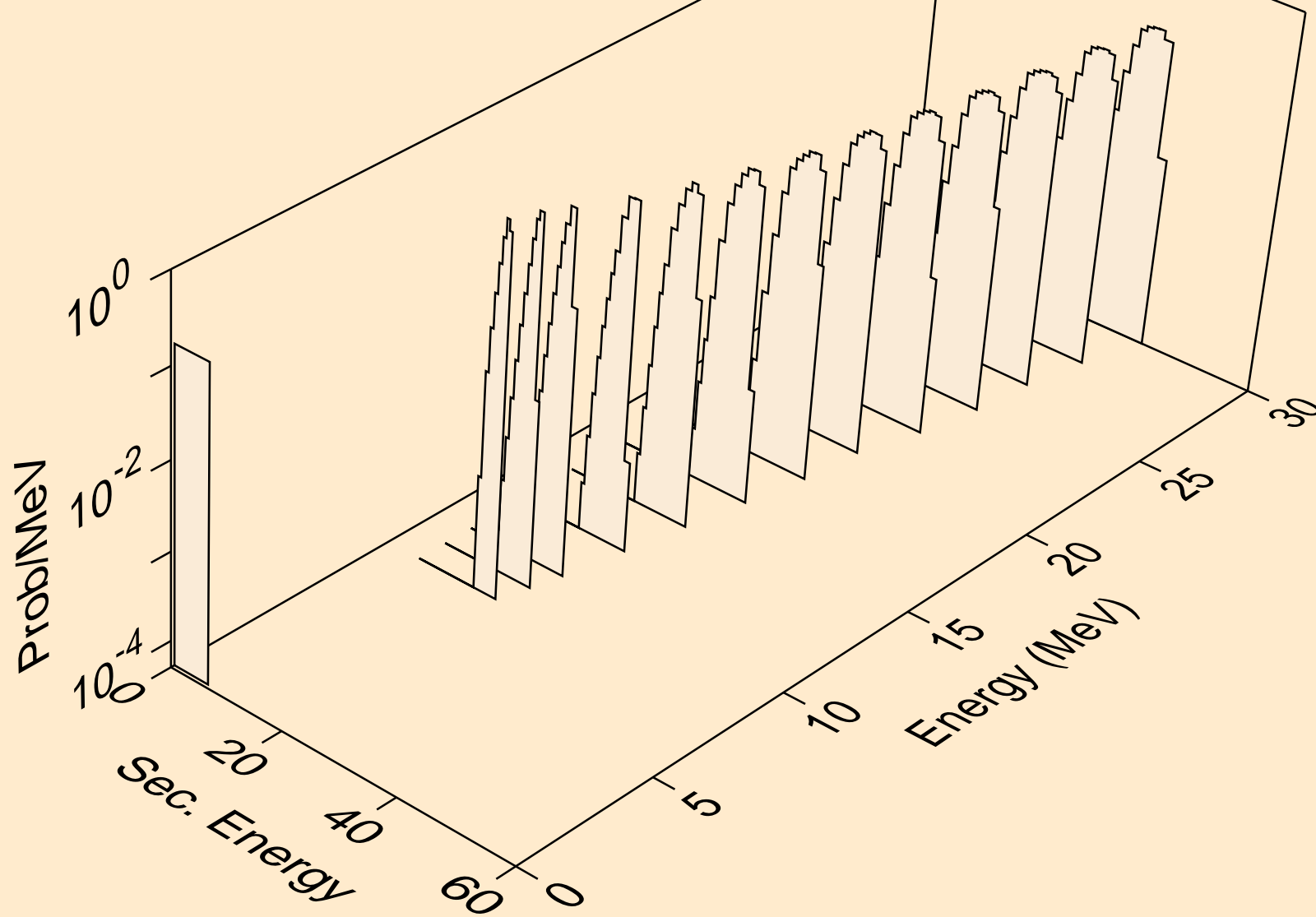




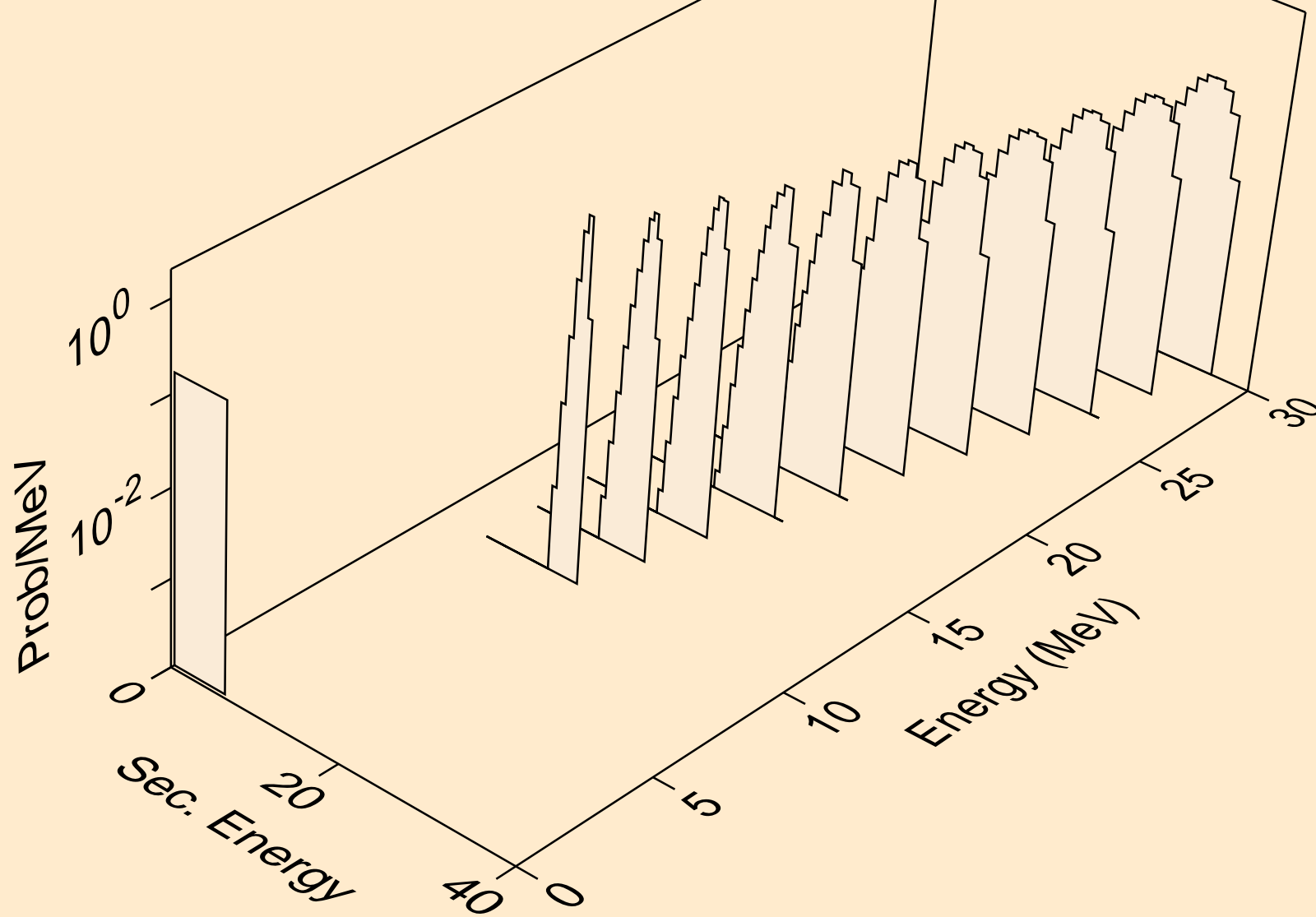
AT227 HELION ACER TENDL-2021 LIBRARY; T=0.K  
alphas from (s,x)



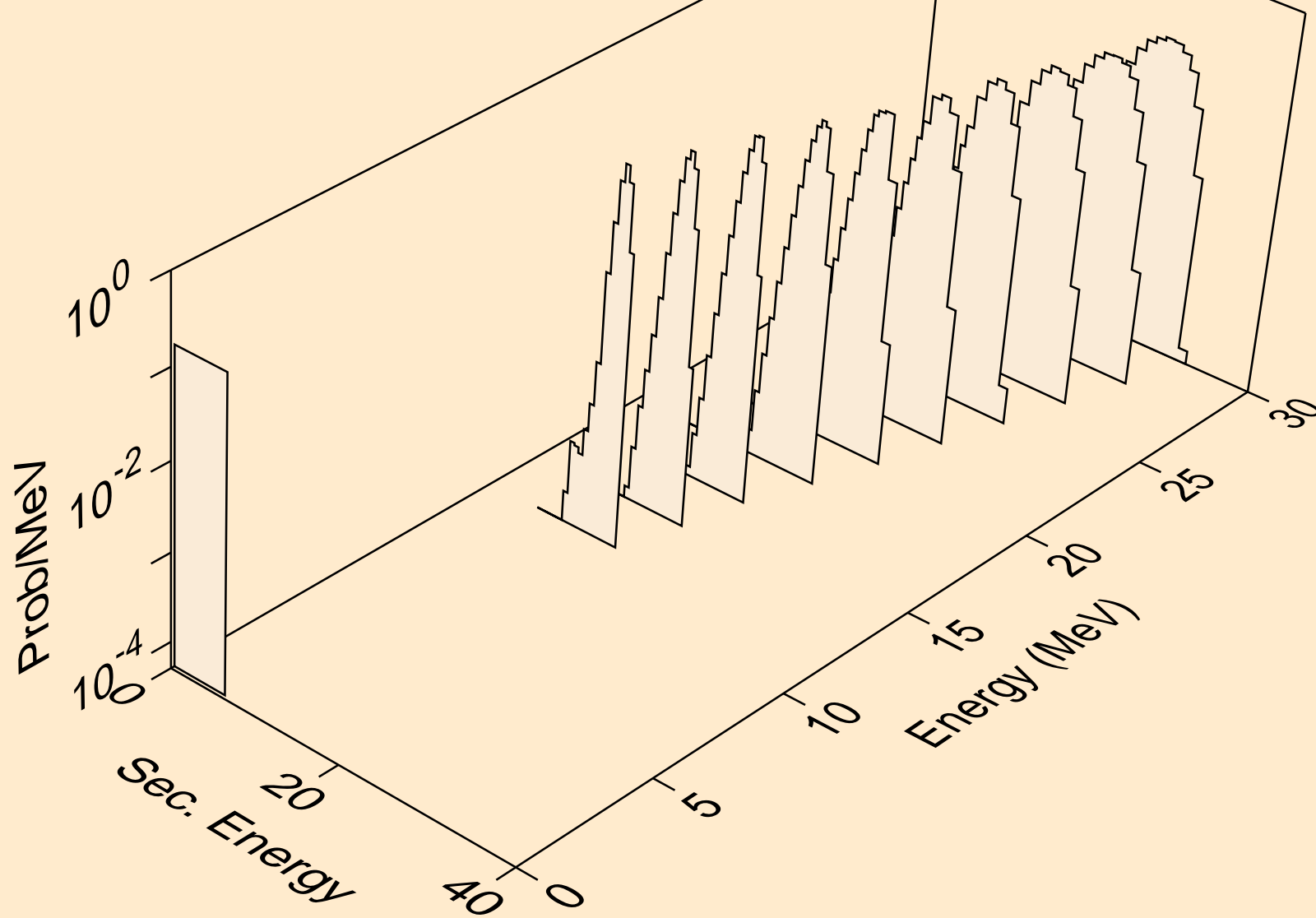
AT227 HELION ACER TENDL-2021 LIBRARY; T=0.K  
alphas from (s,n\*)a



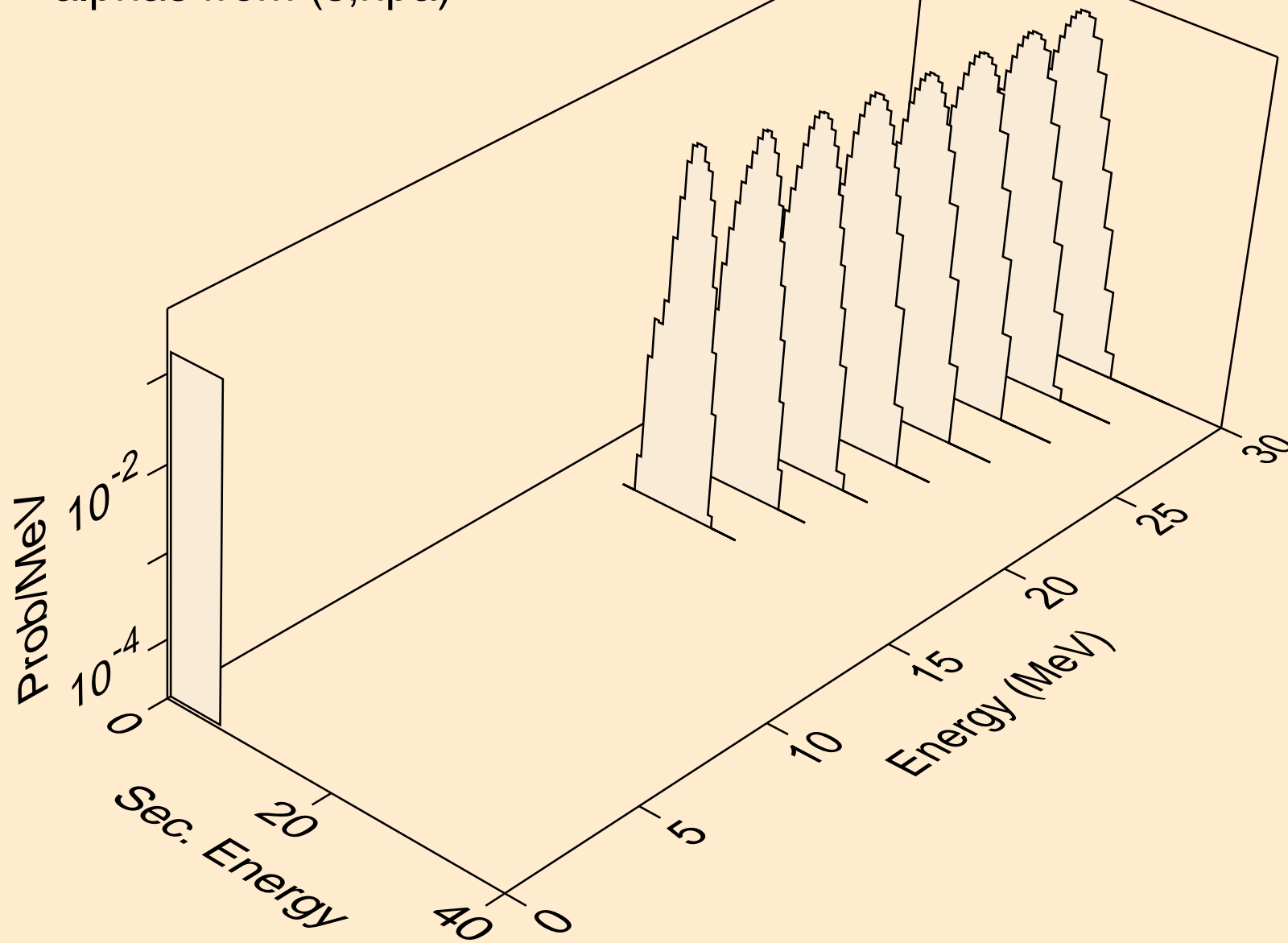
AT227 HELION ACER TENDL-2021 LIBRARY; T=0.K  
alphas from (s,2n)a



AT227 HELION ACER TENDL-2021 LIBRARY; T=0.K  
alphas from (s,3n)a



AT227 HELION ACER TENDL-2021 LIBRARY; T=0.K  
alphas from (s,npa)



AT227 HELION ACER TENDL-2021 LIBRARY; T=0.K  
alphas from (s,a)

