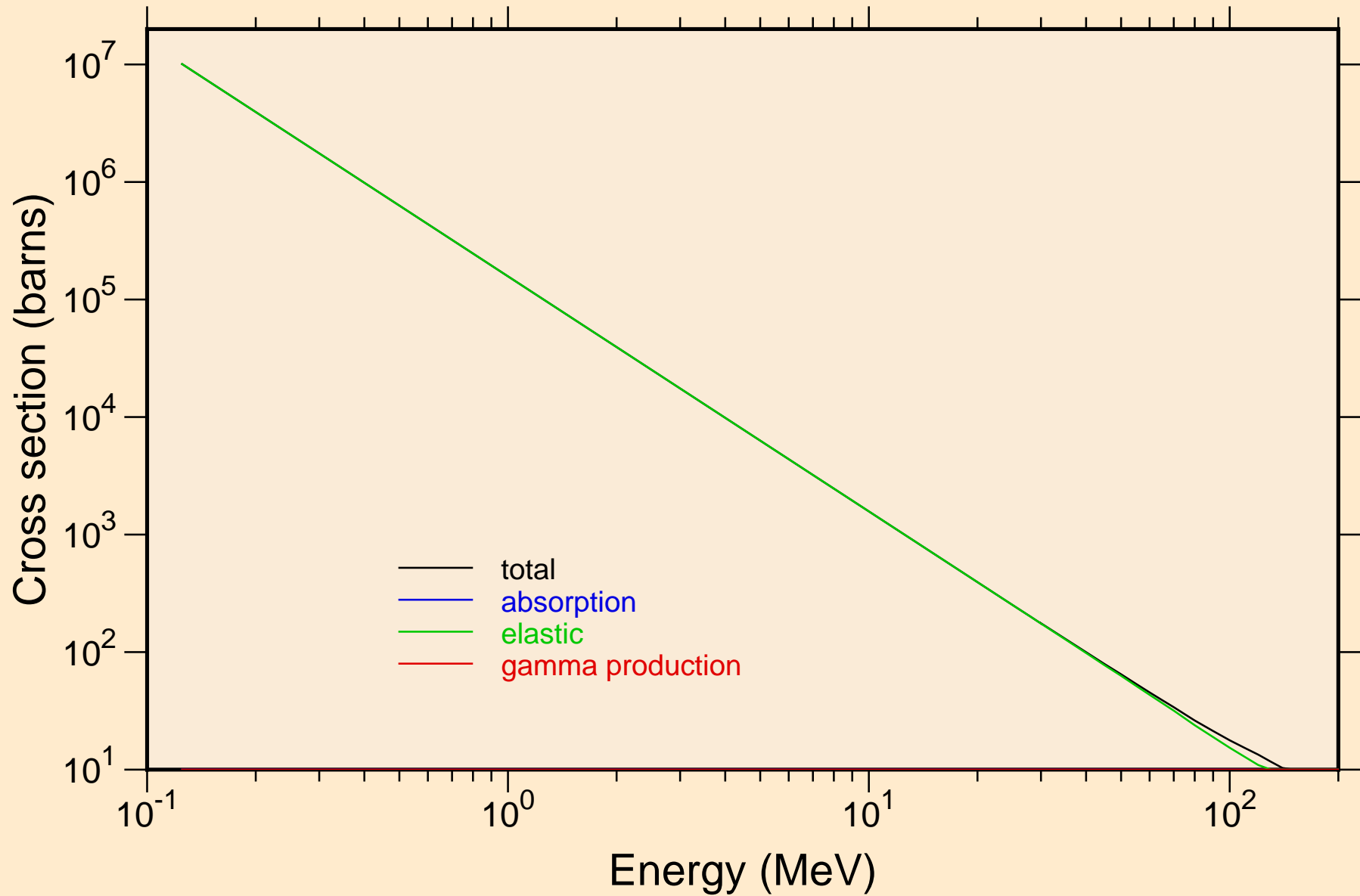
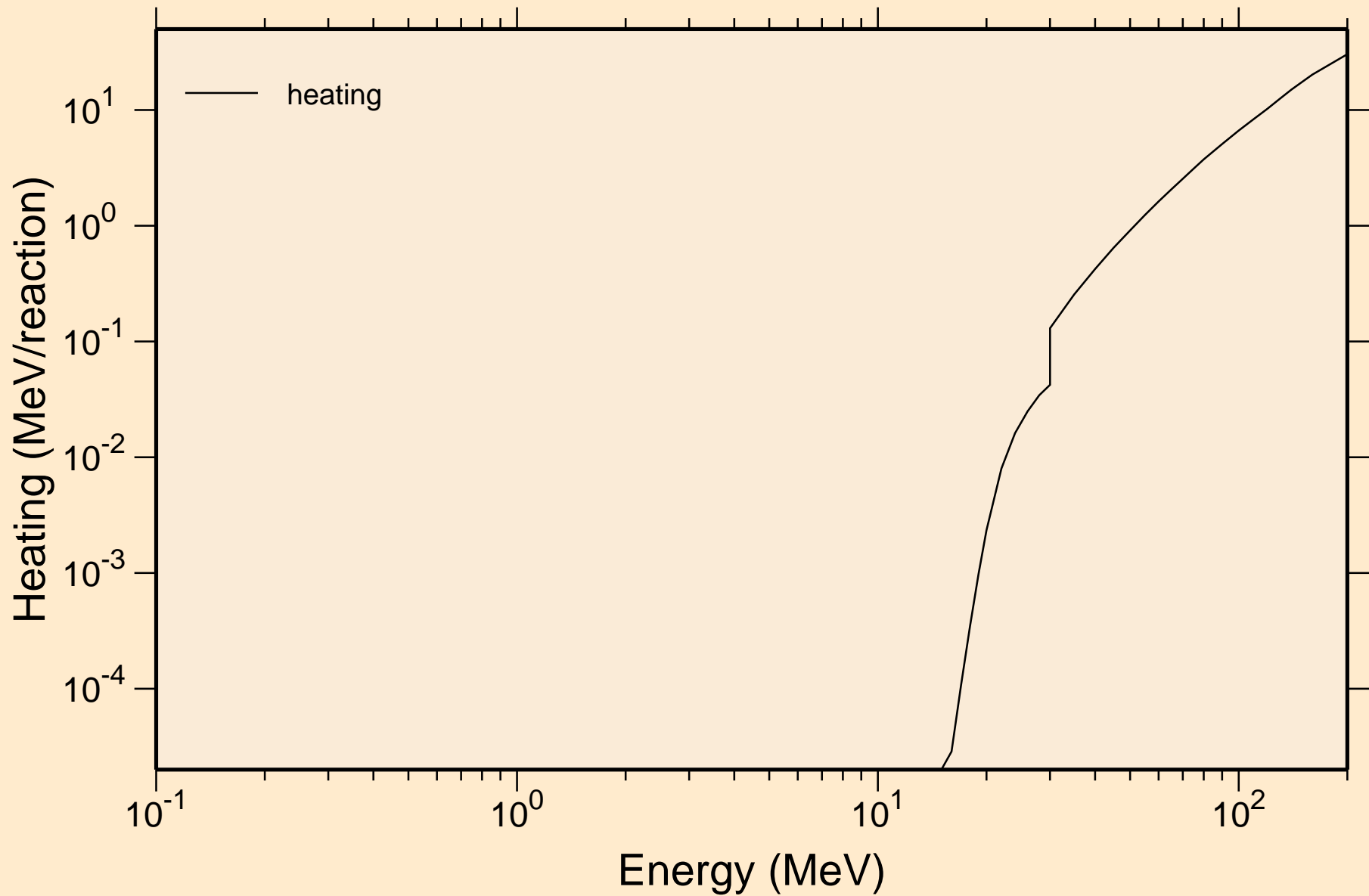


AU210 HELION ACER TENDL-2021 LIBRARY; T=0.K  
Principal cross sections

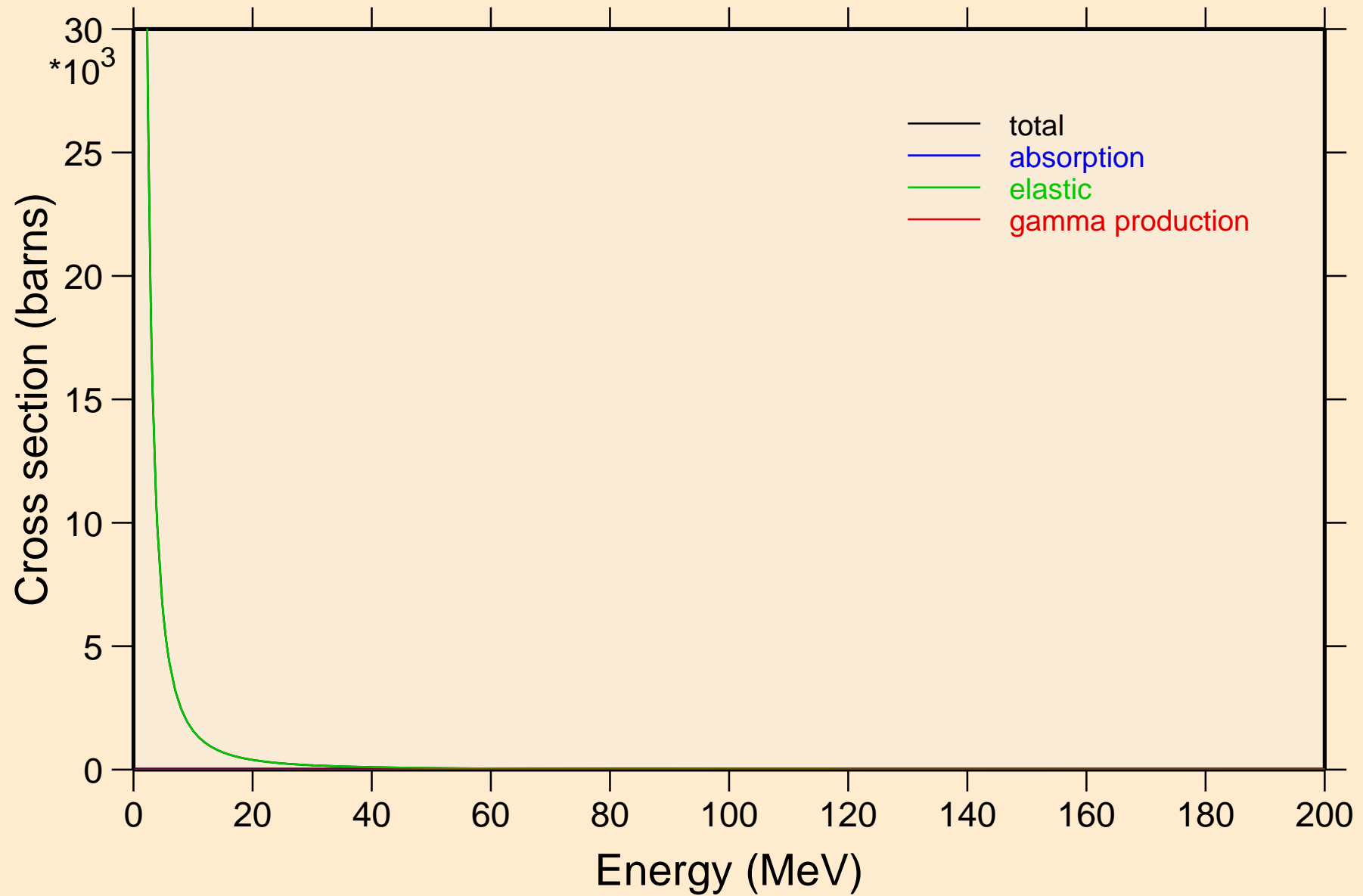


AU210 HELION ACER TENDL-2021 LIBRARY; T=0.K  
Heating



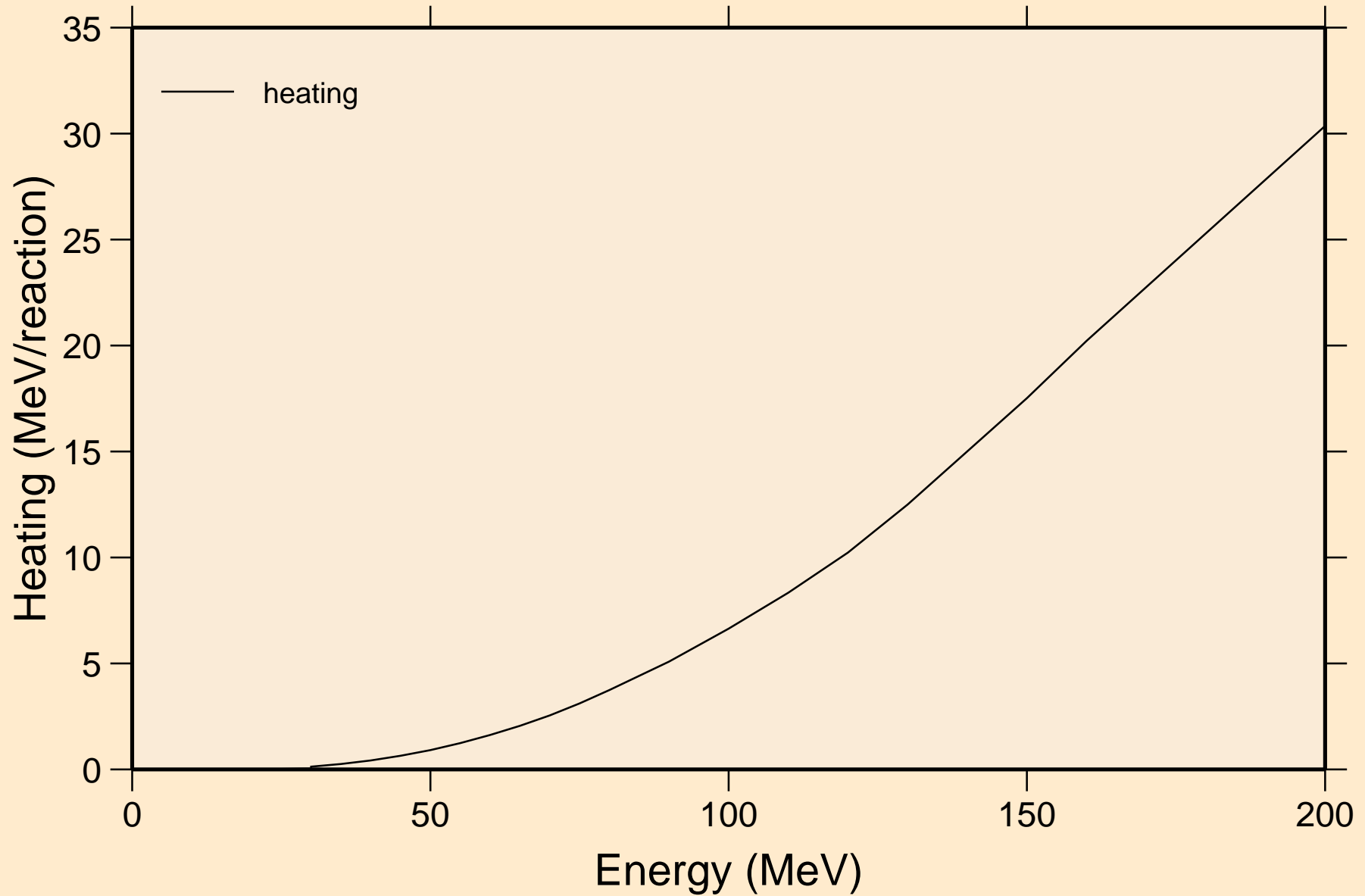
# AU210 HELION ACER TENDL-2021 LIBRARY; T=0.K

## Principal cross sections

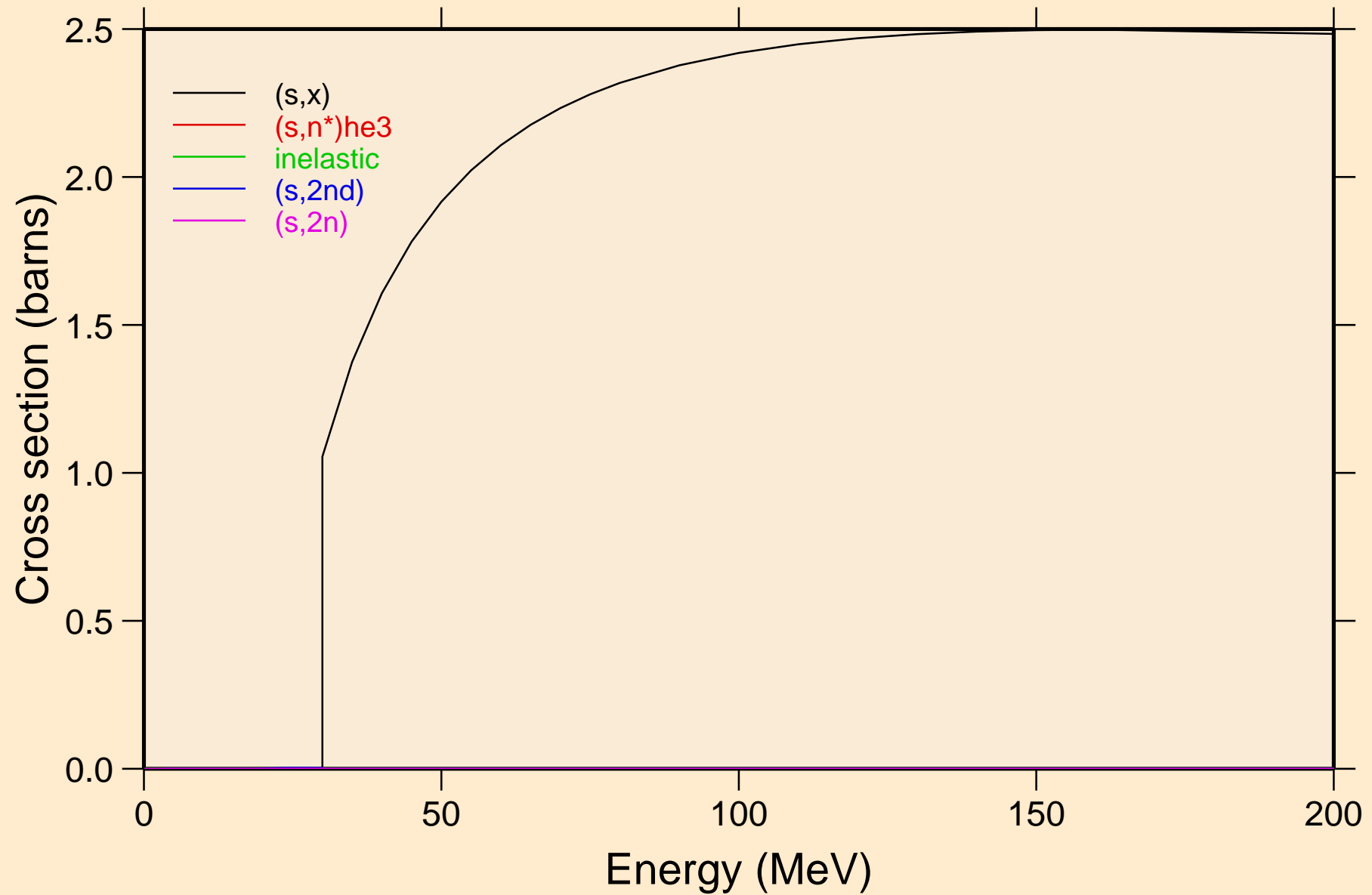


AU210 HELION ACER TENDL-2021 LIBRARY; T=0.K

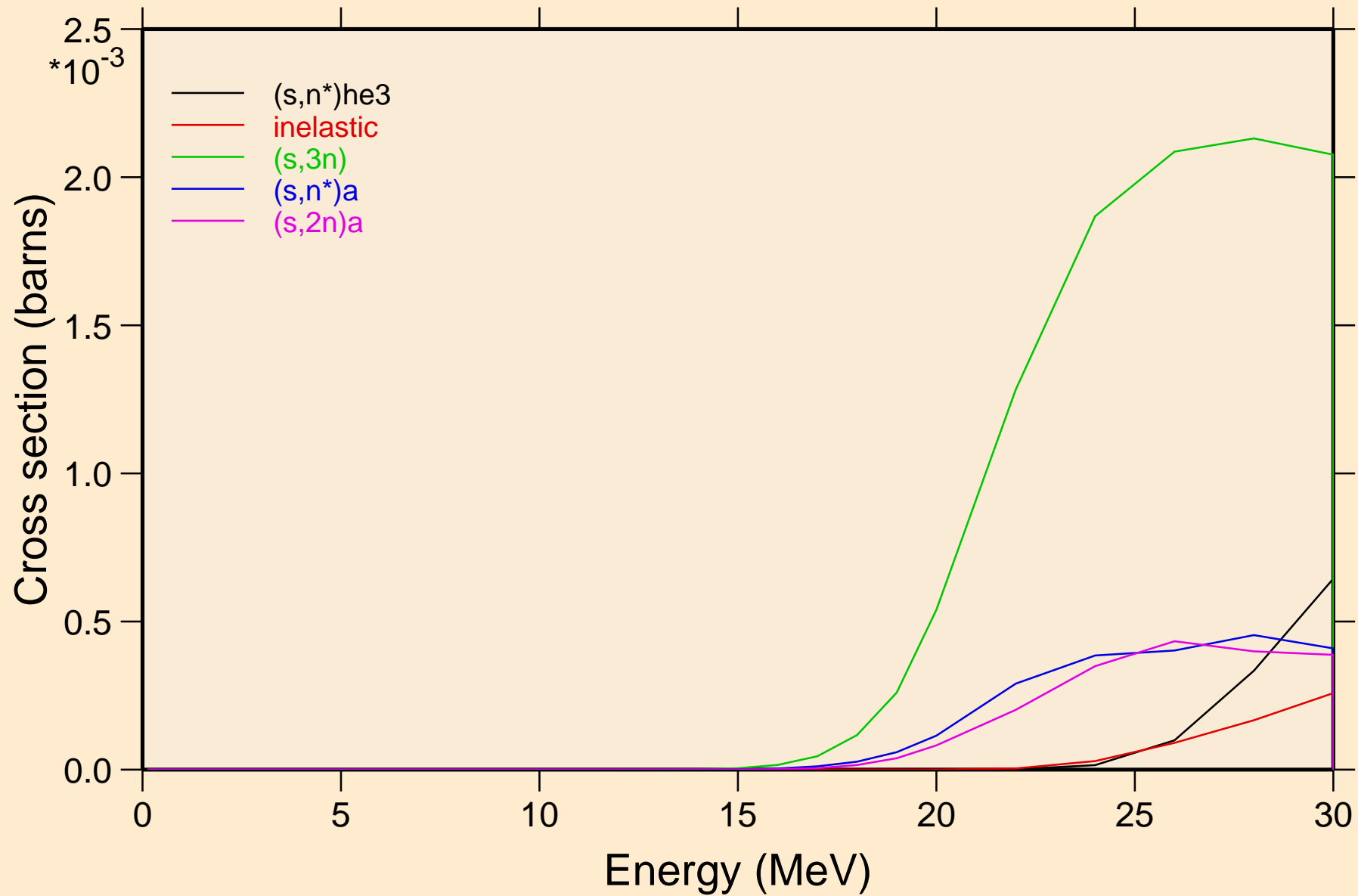
Heating



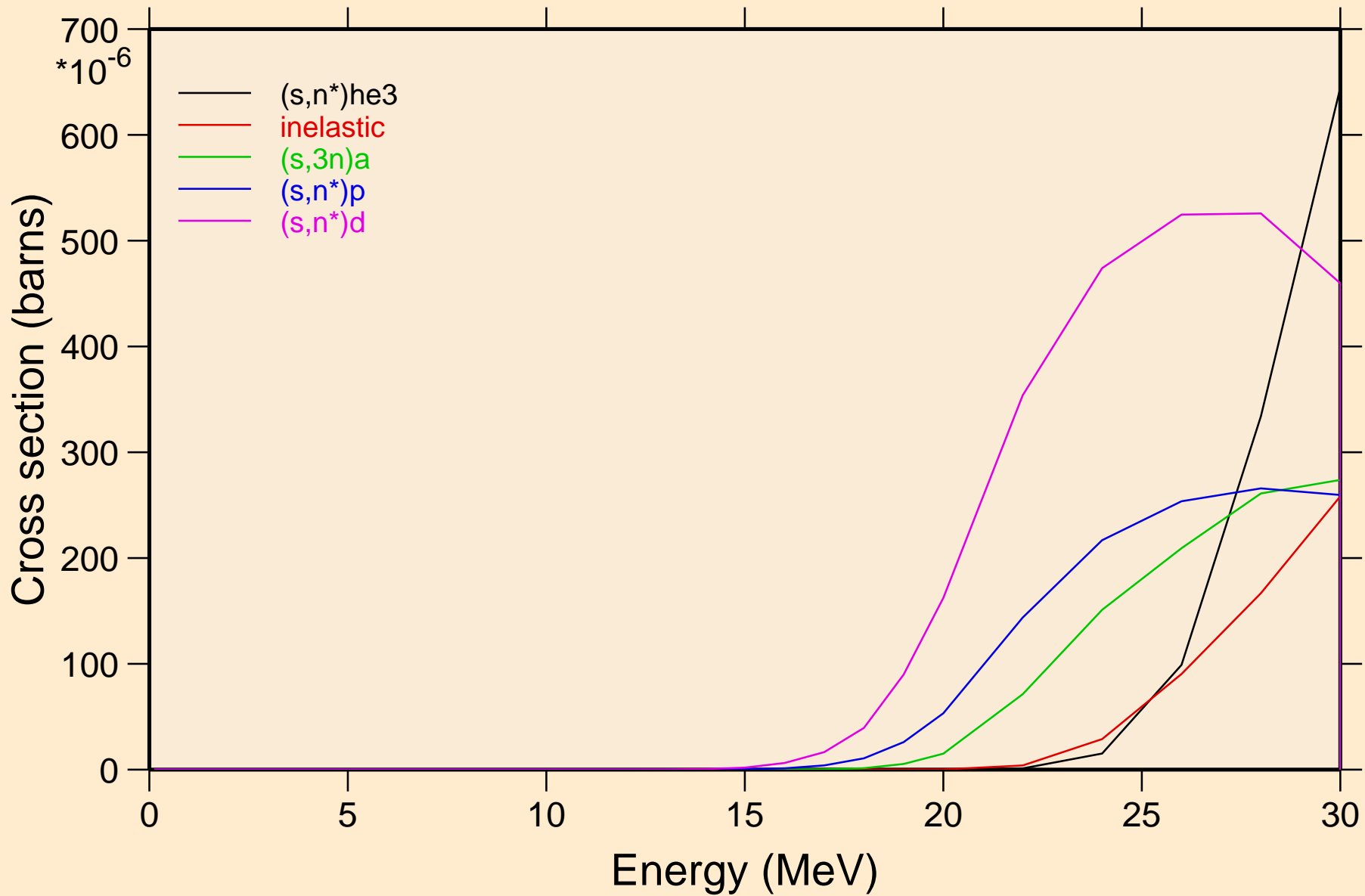
AU210 HELION ACER TENDL-2021 LIBRARY; T=0.K  
Threshold reactions



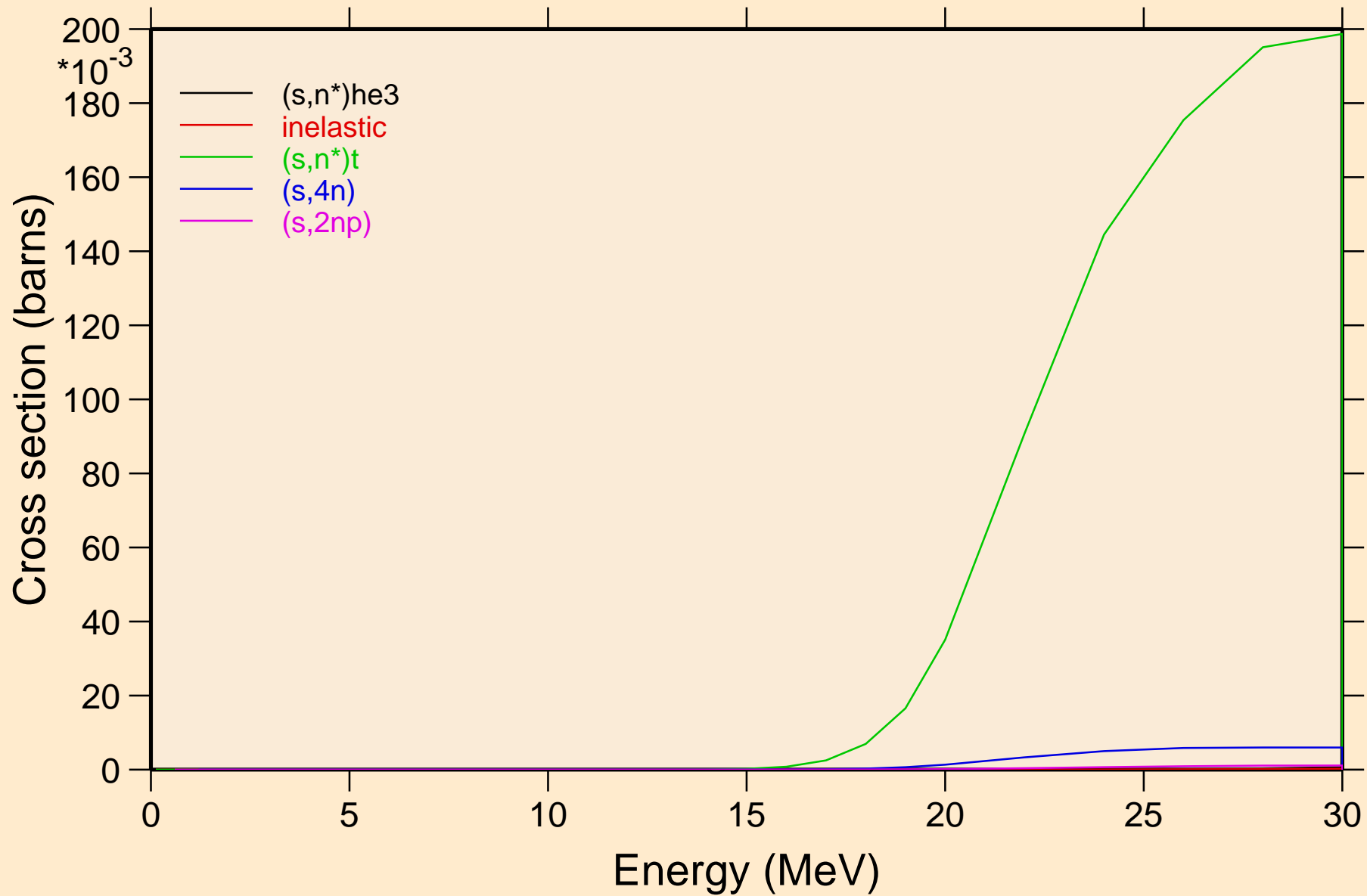
AU210 HELION ACER TENDL-2021 LIBRARY; T=0.K  
Threshold reactions



AU210 HELION ACER TENDL-2021 LIBRARY; T=0.K  
Threshold reactions

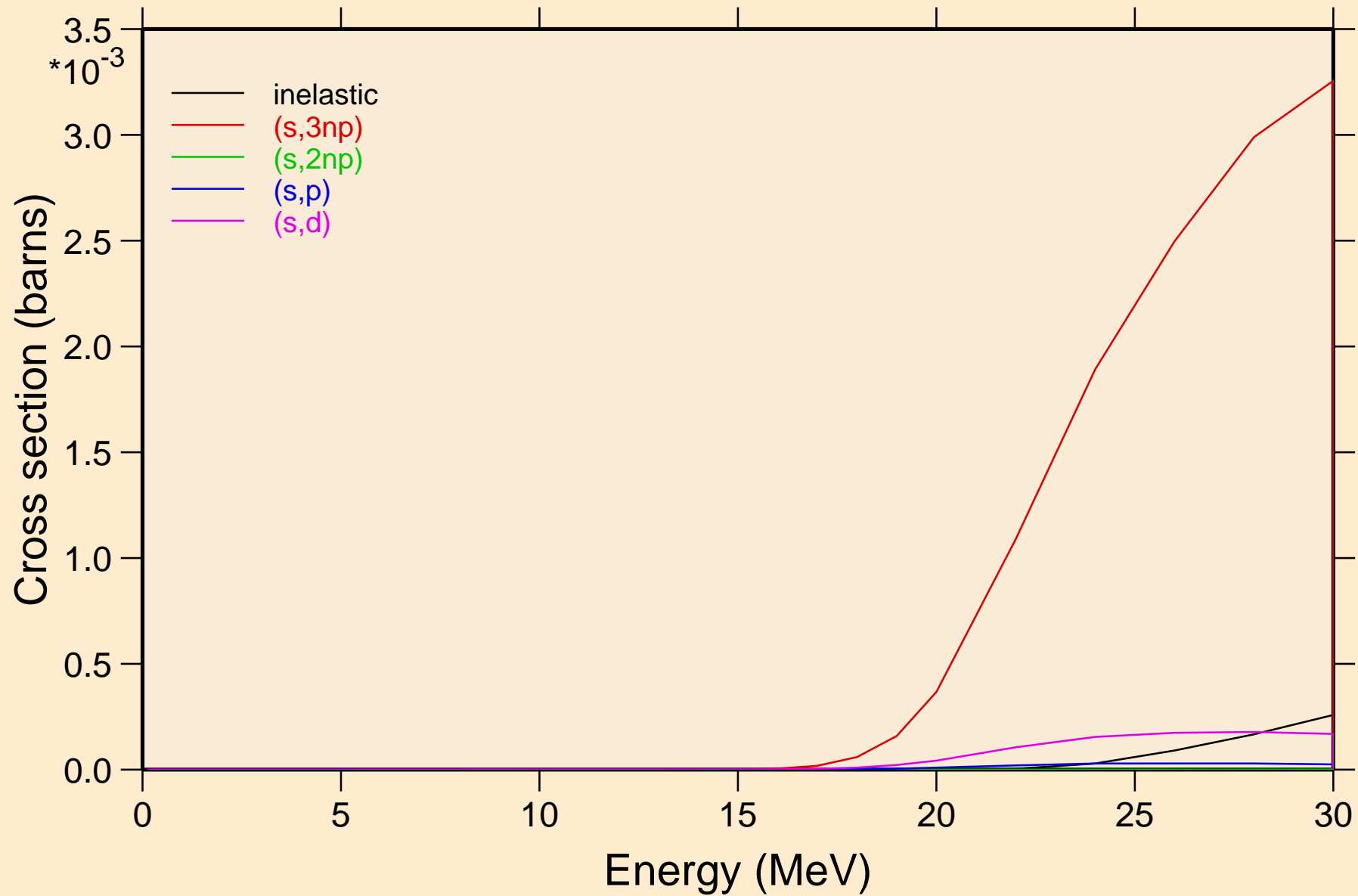


AU210 HELION ACER TENDL-2021 LIBRARY; T=0.K  
Threshold reactions

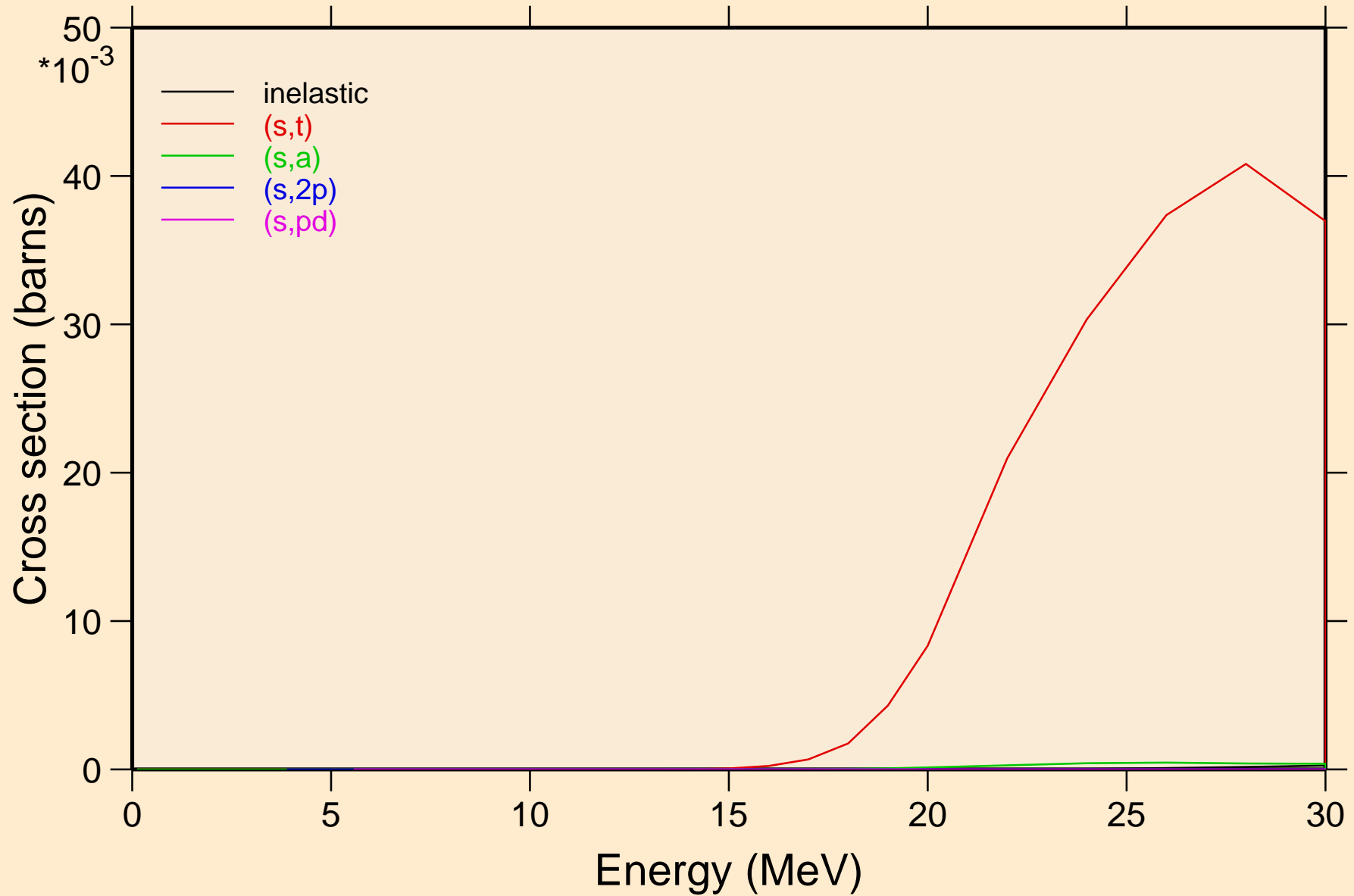




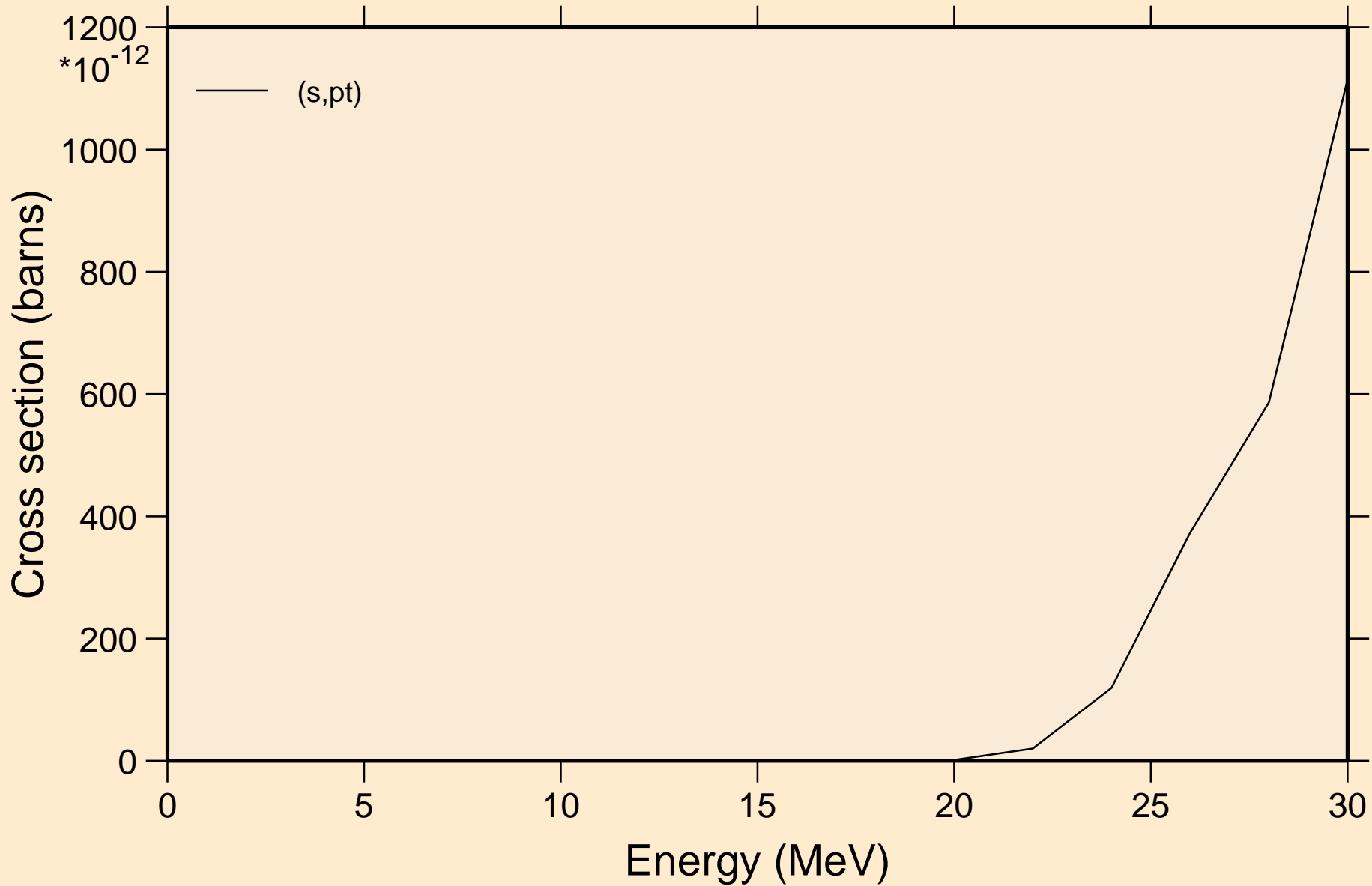
AU210 HELION ACER TENDL-2021 LIBRARY; T=0.K  
Threshold reactions



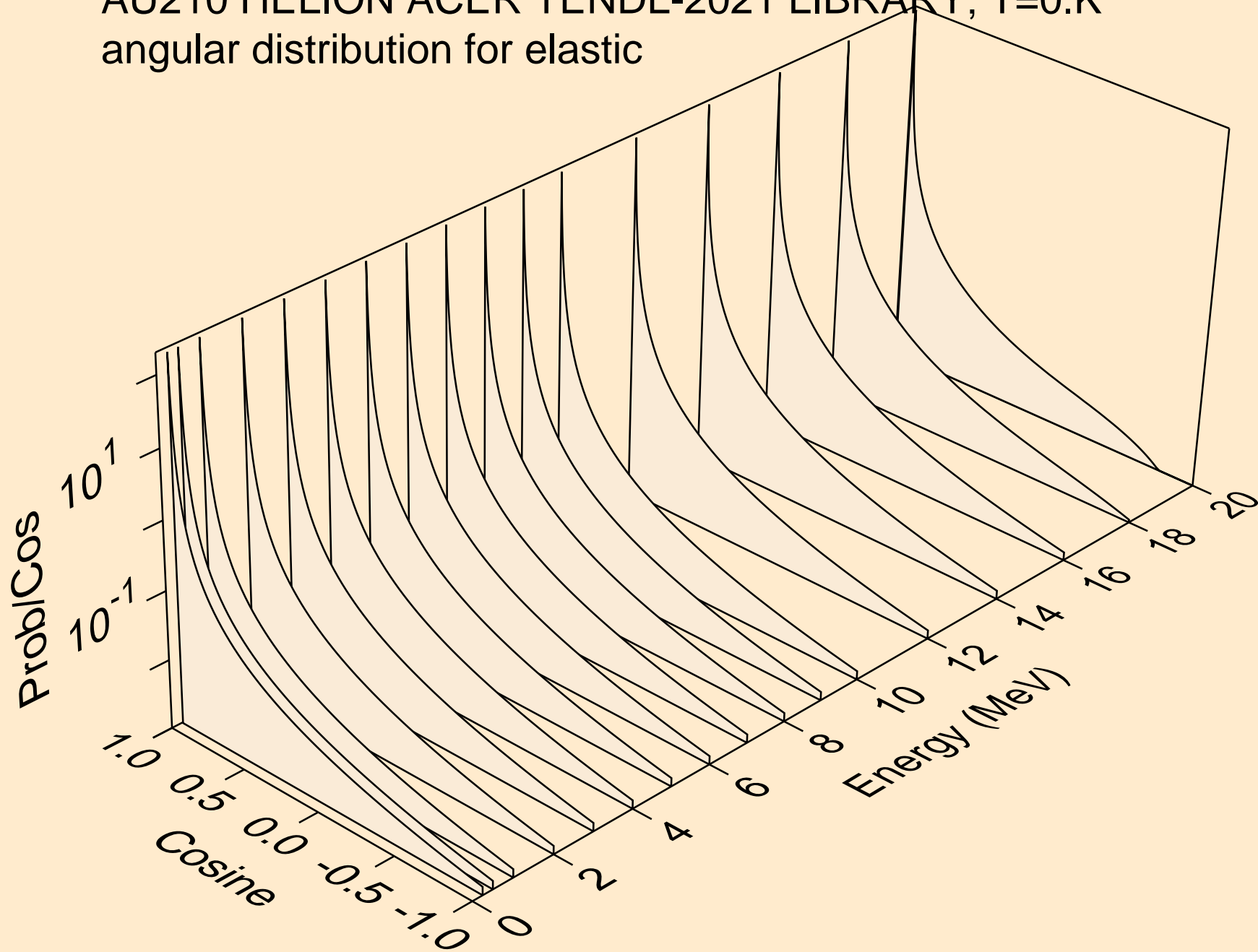
AU210 HELION ACER TENDL-2021 LIBRARY; T=0.K  
Threshold reactions



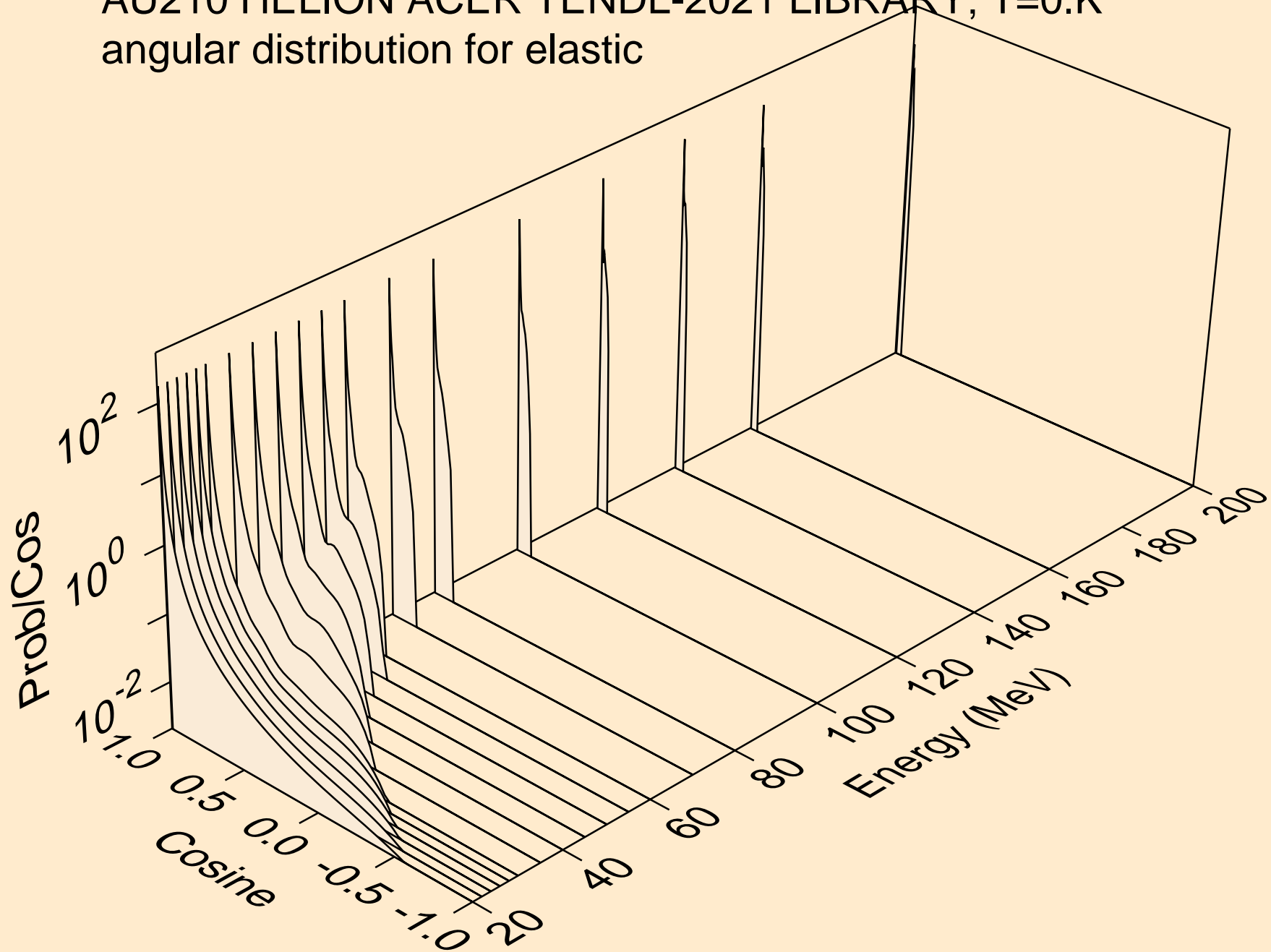
AU210 HELION ACER TENDL-2021 LIBRARY; T=0.K  
Threshold reactions



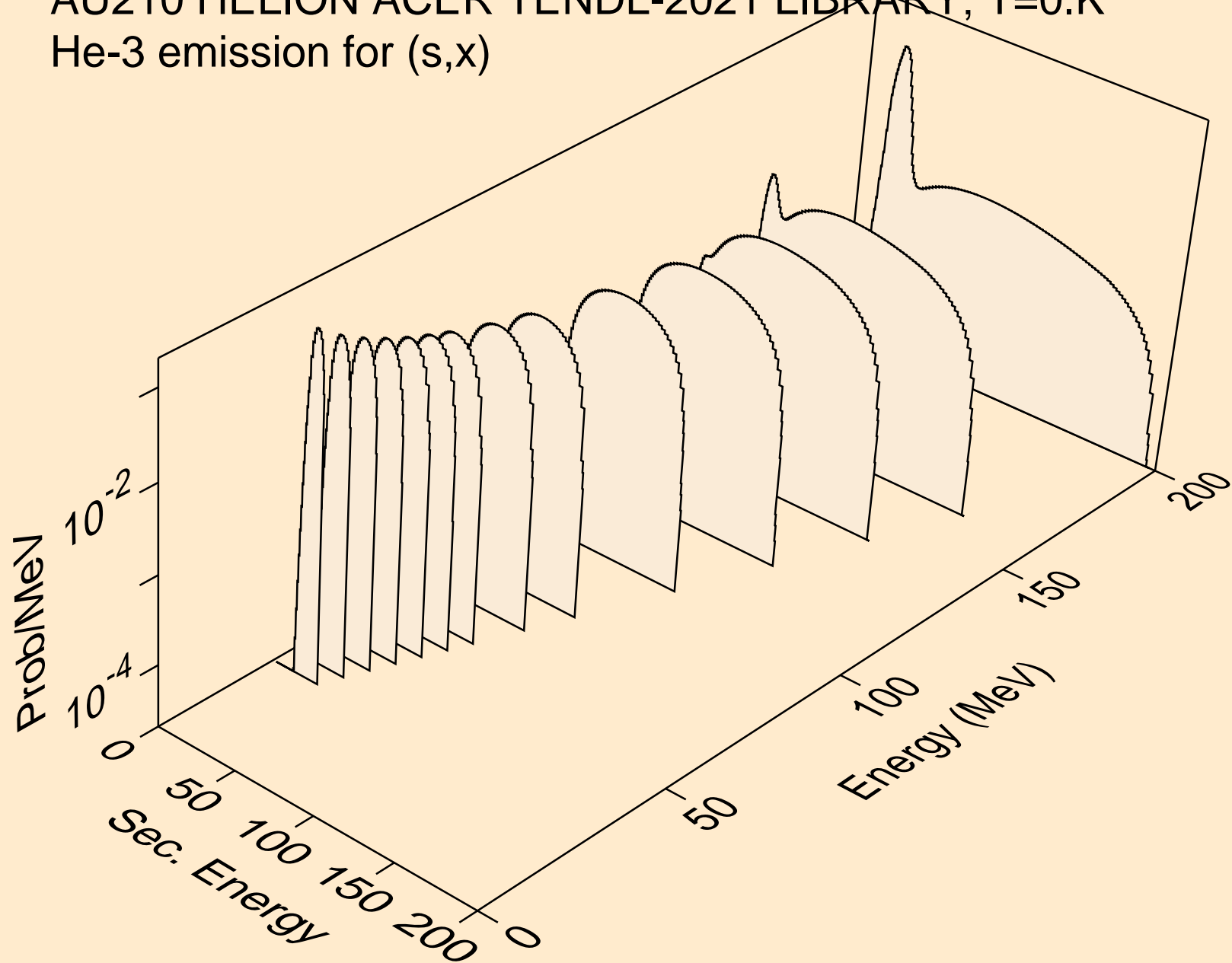
AU210 HELION ACER TENDL-2021 LIBRARY; T=0.K  
angular distribution for elastic



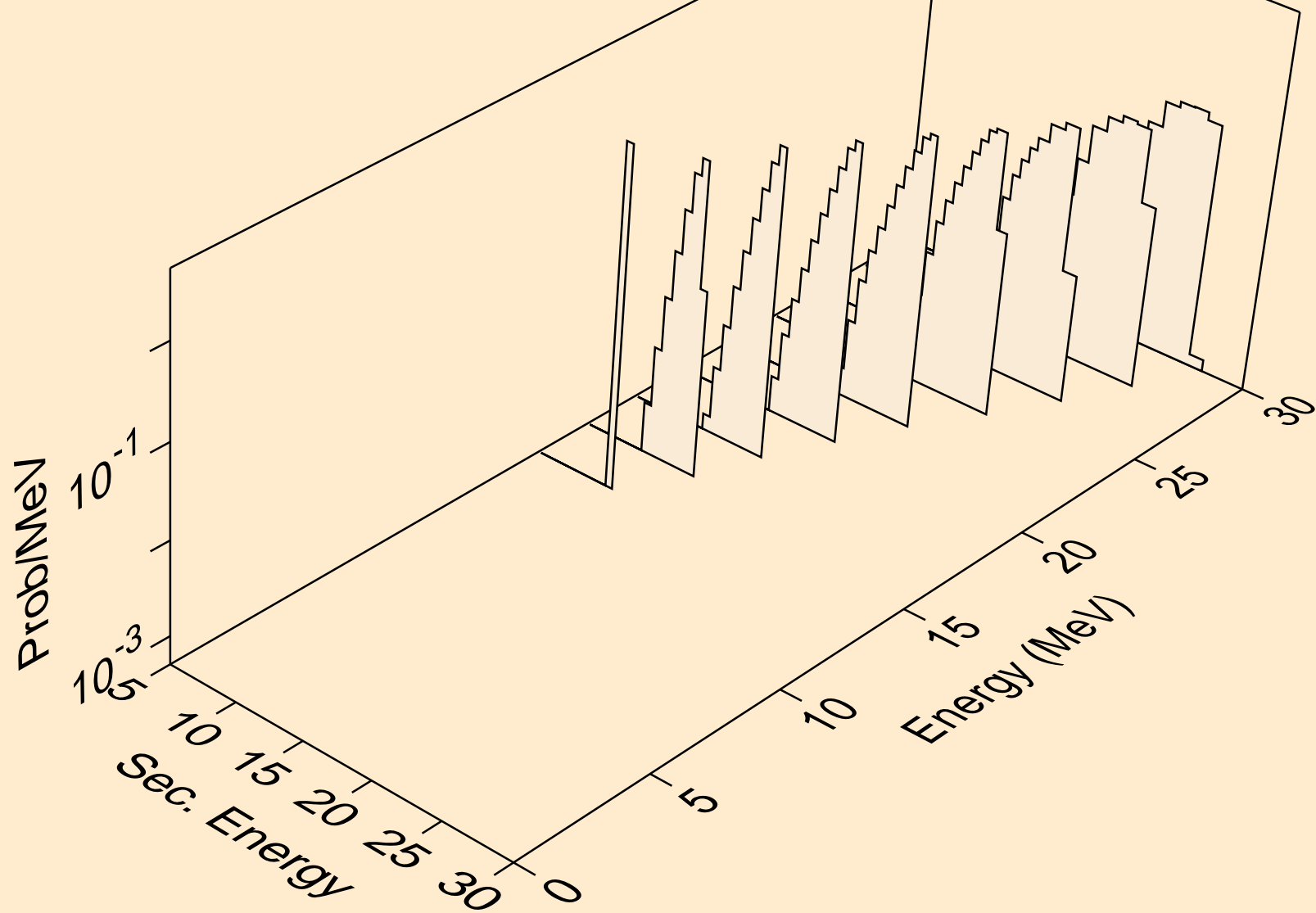
AU210 HELION ACER TENDL-2021 LIBRARY; T=0.K  
angular distribution for elastic



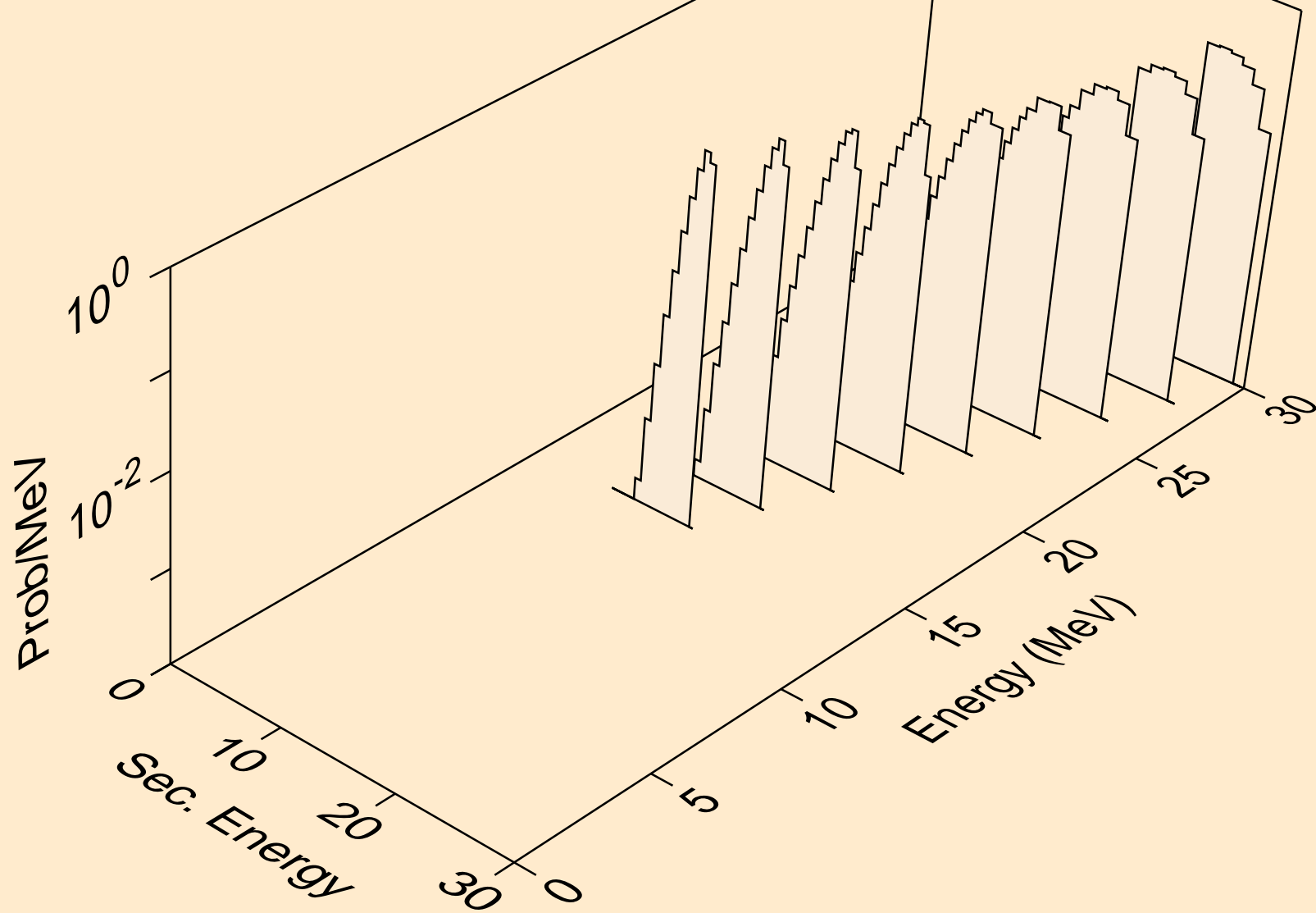
AU210 HELION ACER TENDL-2021 LIBRARY; T=0.K  
He-3 emission for (s,x)



AU210 HELION ACER TENDL-2021 LIBRARY; T=0.K  
He-3 emission for (s,n\*)he3

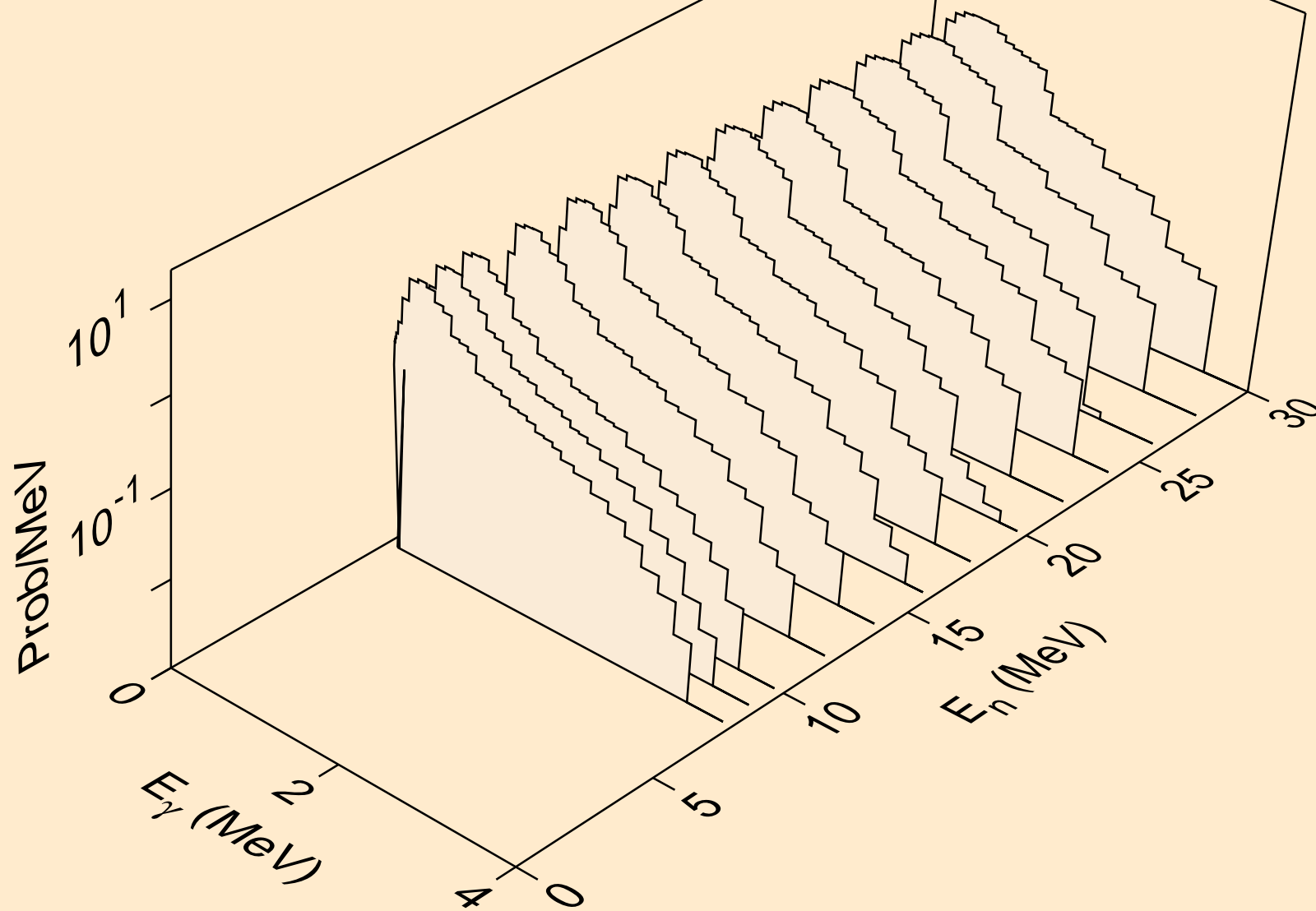


AU210 HELION ACER TENDL-2021 LIBRARY; T=0.K  
He-3 emission for inelastic

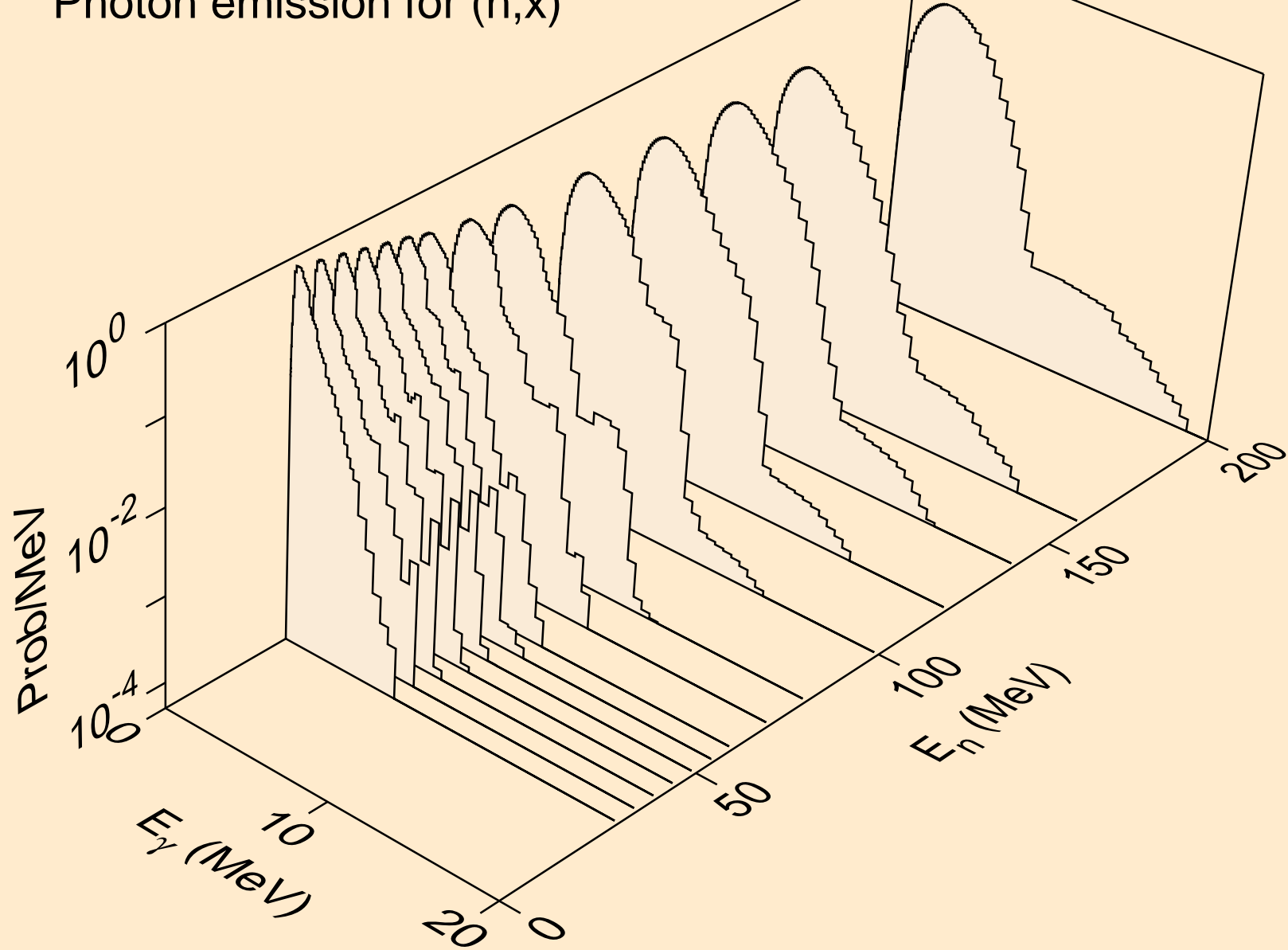




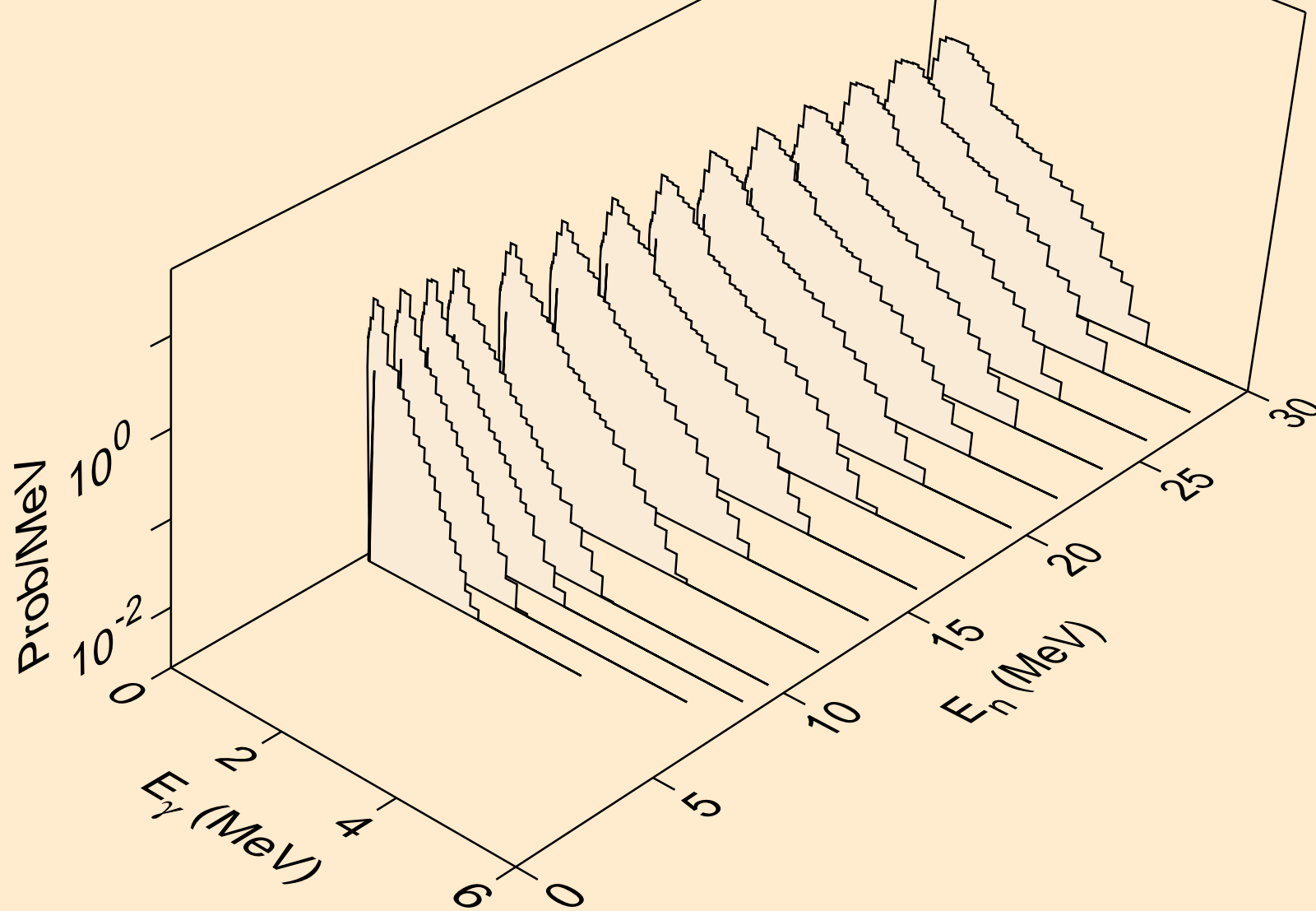
AU210 HELION ACER TENDL-2021 LIBRARY; T=0.K  
Photon emission for (z,n)



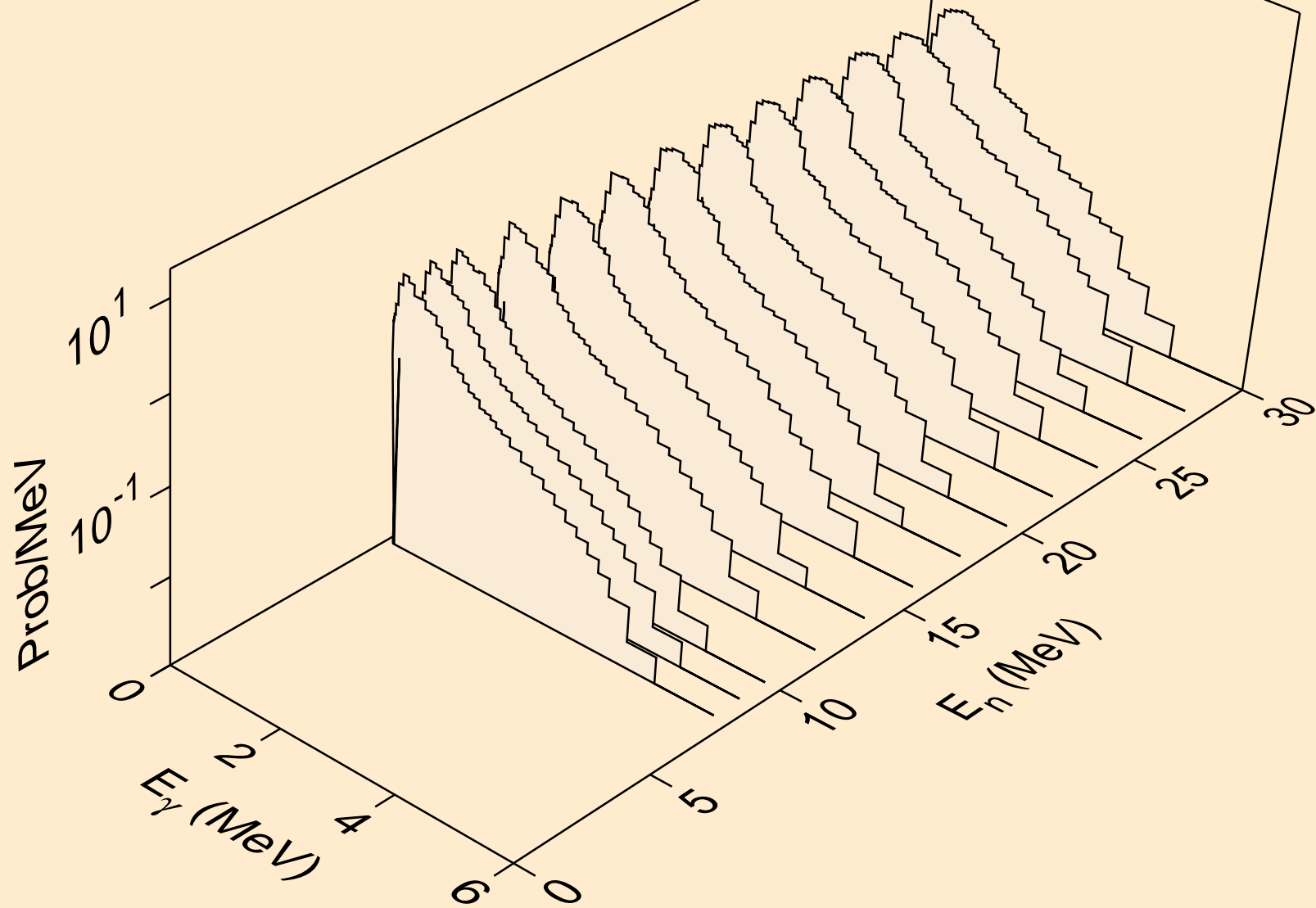
AU210 HELION ACER TENDL-2021 LIBRARY; T=0.K  
Photon emission for (n,x)



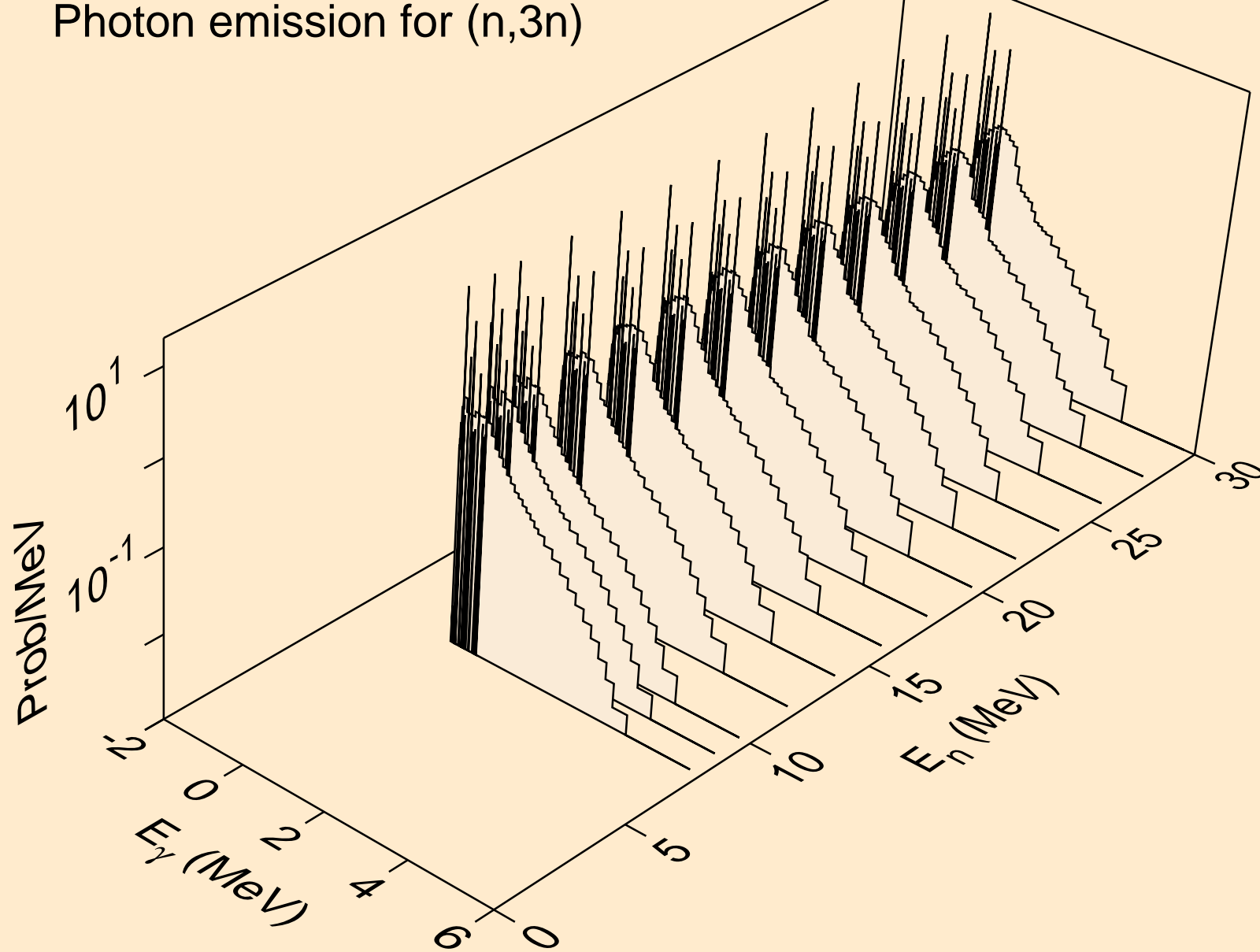
AU210 HELION ACER TENDL-2021 LIBRARY; T=0.K  
Photon emission for (n,2nd)



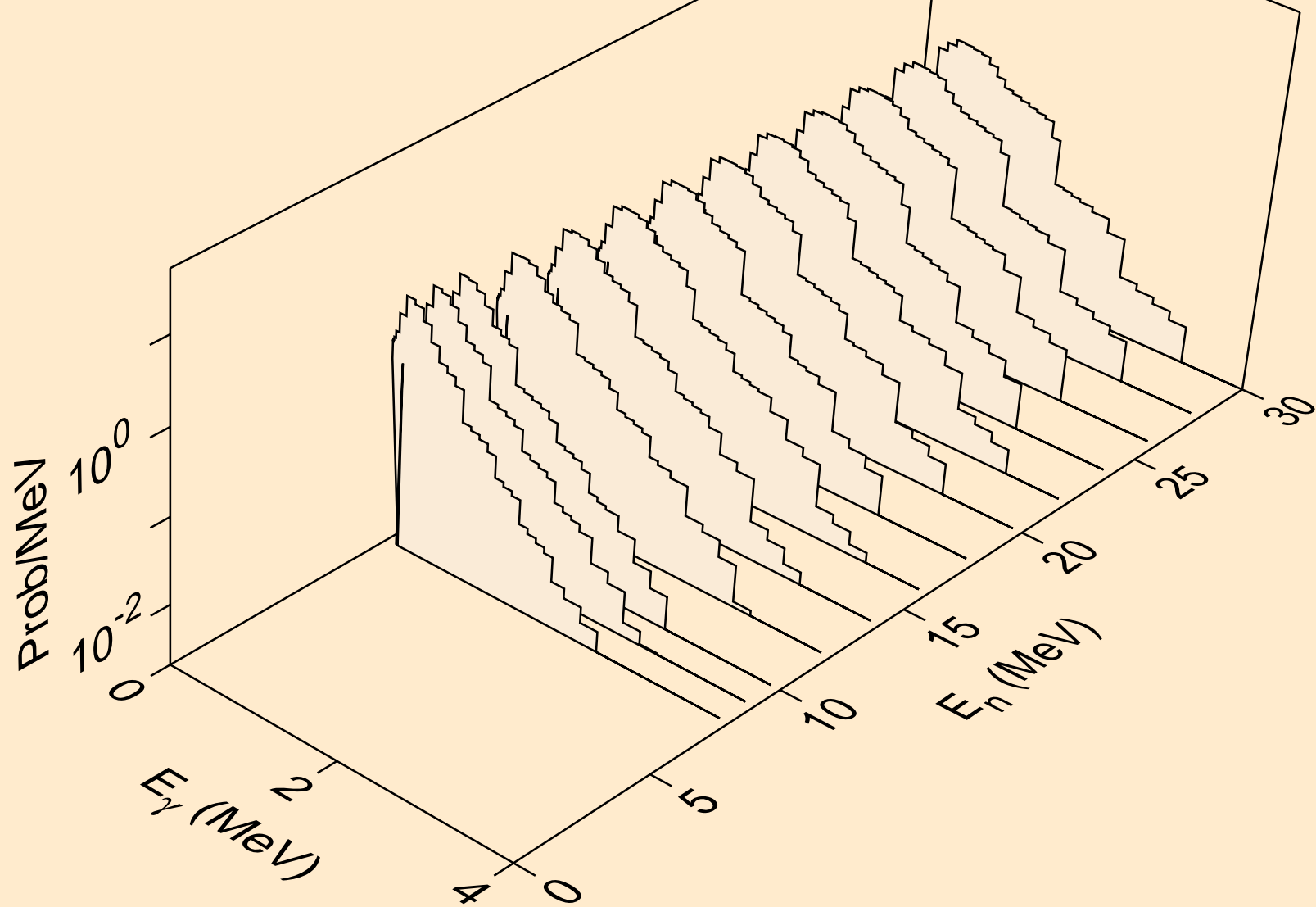
AU210 HELION ACER TENDL-2021 LIBRARY; T=0.K  
Photon emission for (n,2n)



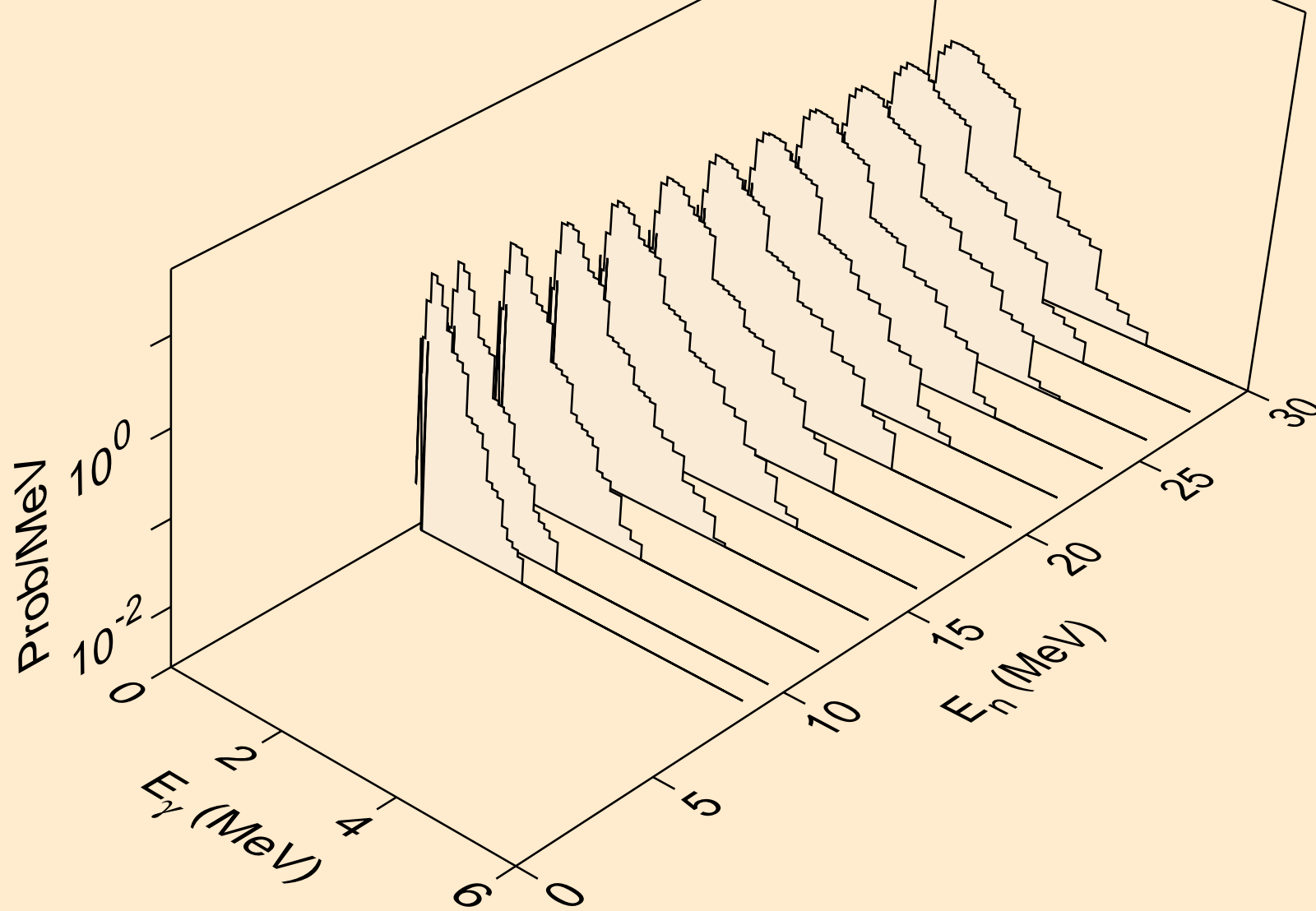
AU210 HELION ACER TENDL-2021 LIBRARY; T=0.K  
Photon emission for (n,3n)



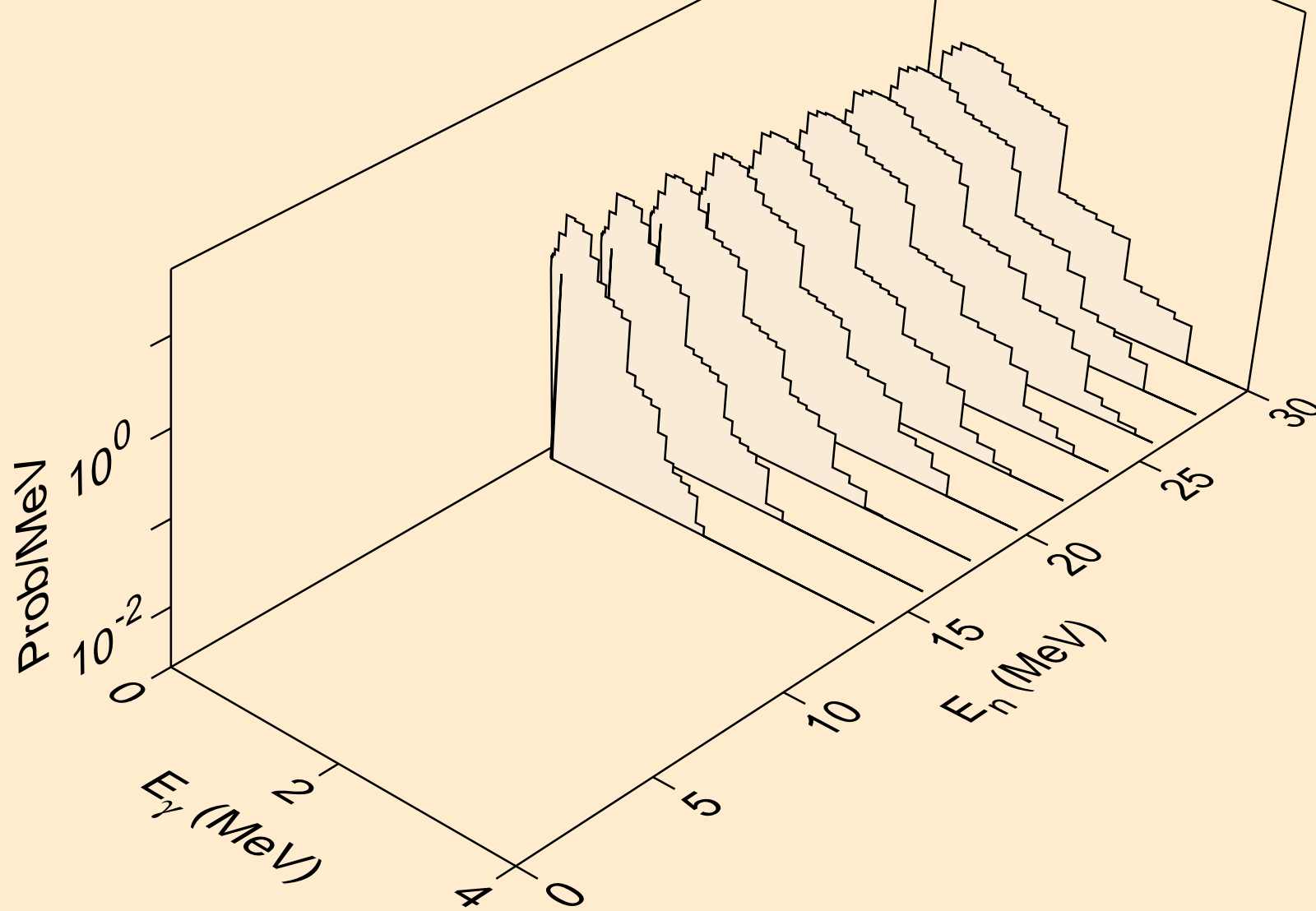
AU210 HELION ACER TENDL-2021 LIBRARY; T=0.K  
Photon emission for (n,n\*)a



AU210 HELION ACER TENDL-2021 LIBRARY; T=0.K  
Photon emission for (n,2n)a

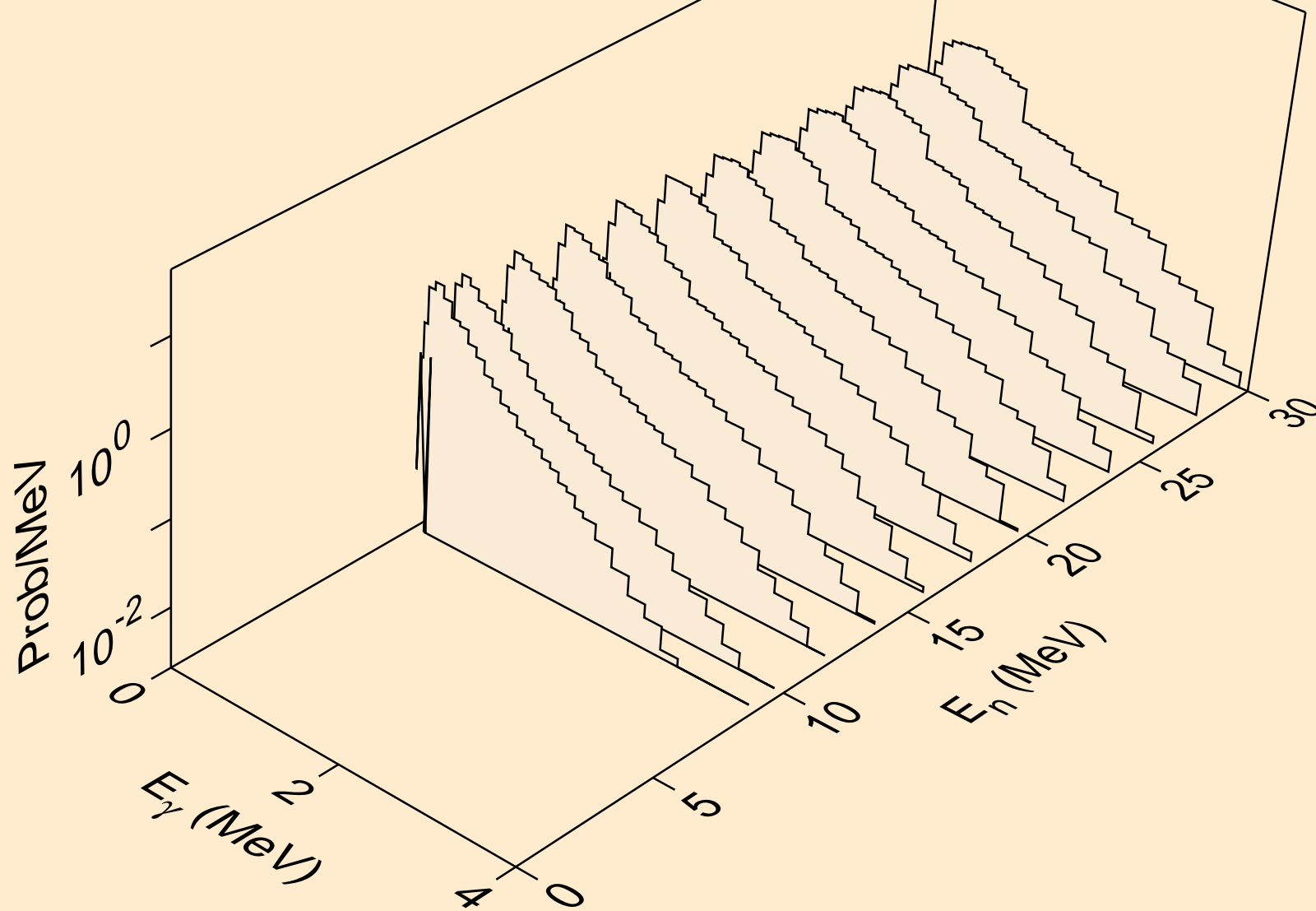


AU210 HELION ACER TENDL-2021 LIBRARY; T=0.K  
Photon emission for (n,3n)a

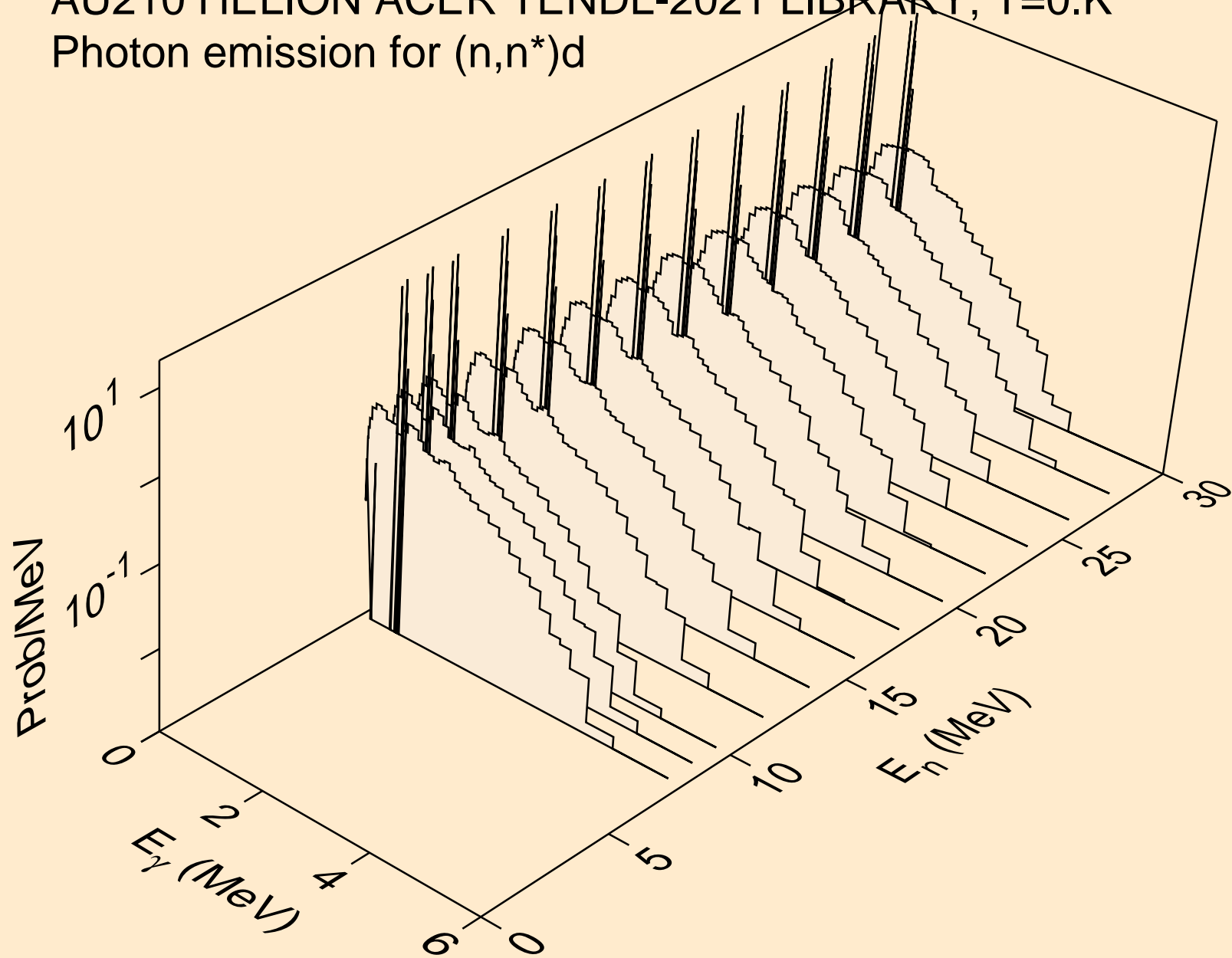




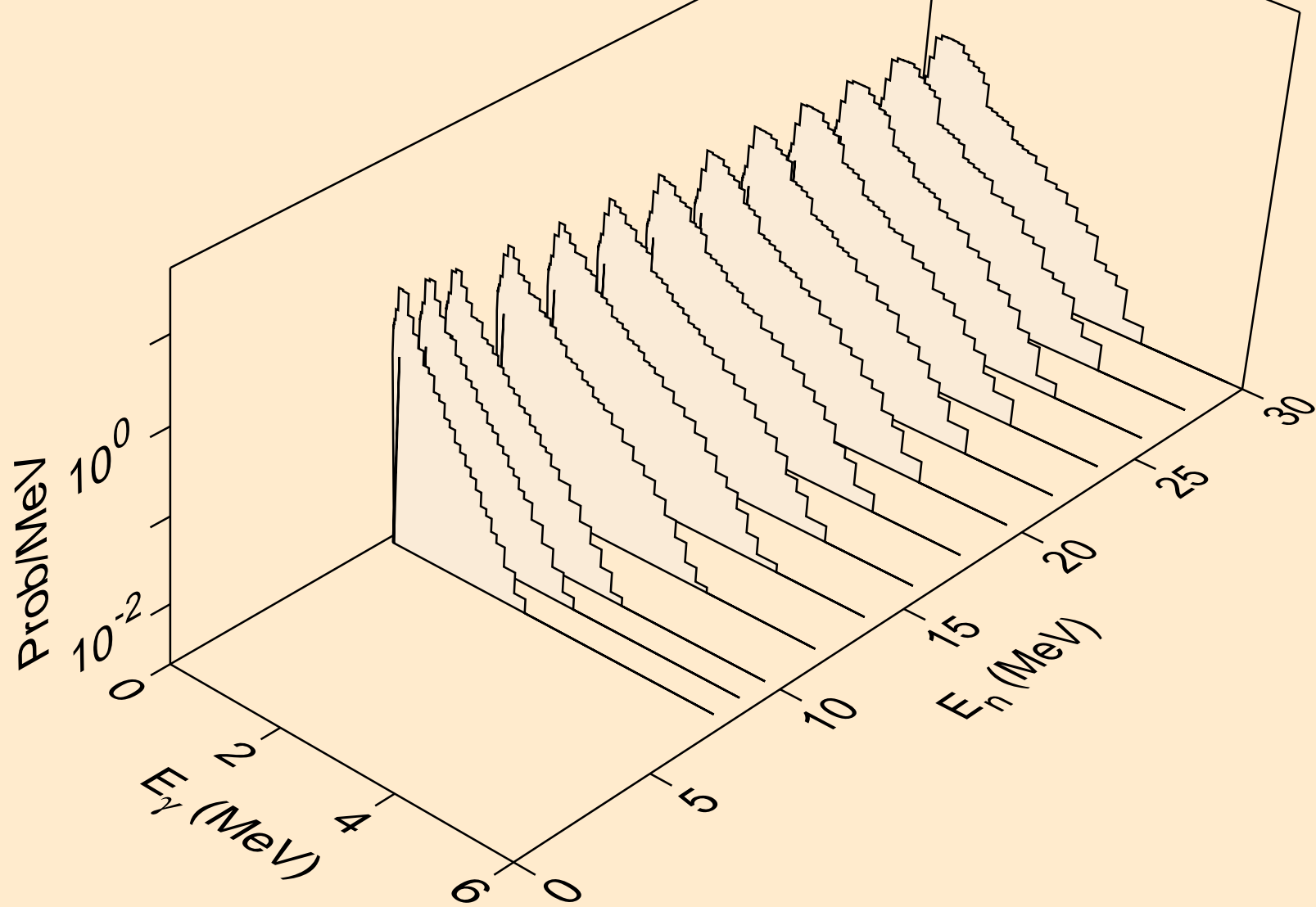
AU210 HELION ACER TENDL-2021 LIBRARY; T=0.K  
Photon emission for (n,n\*)p



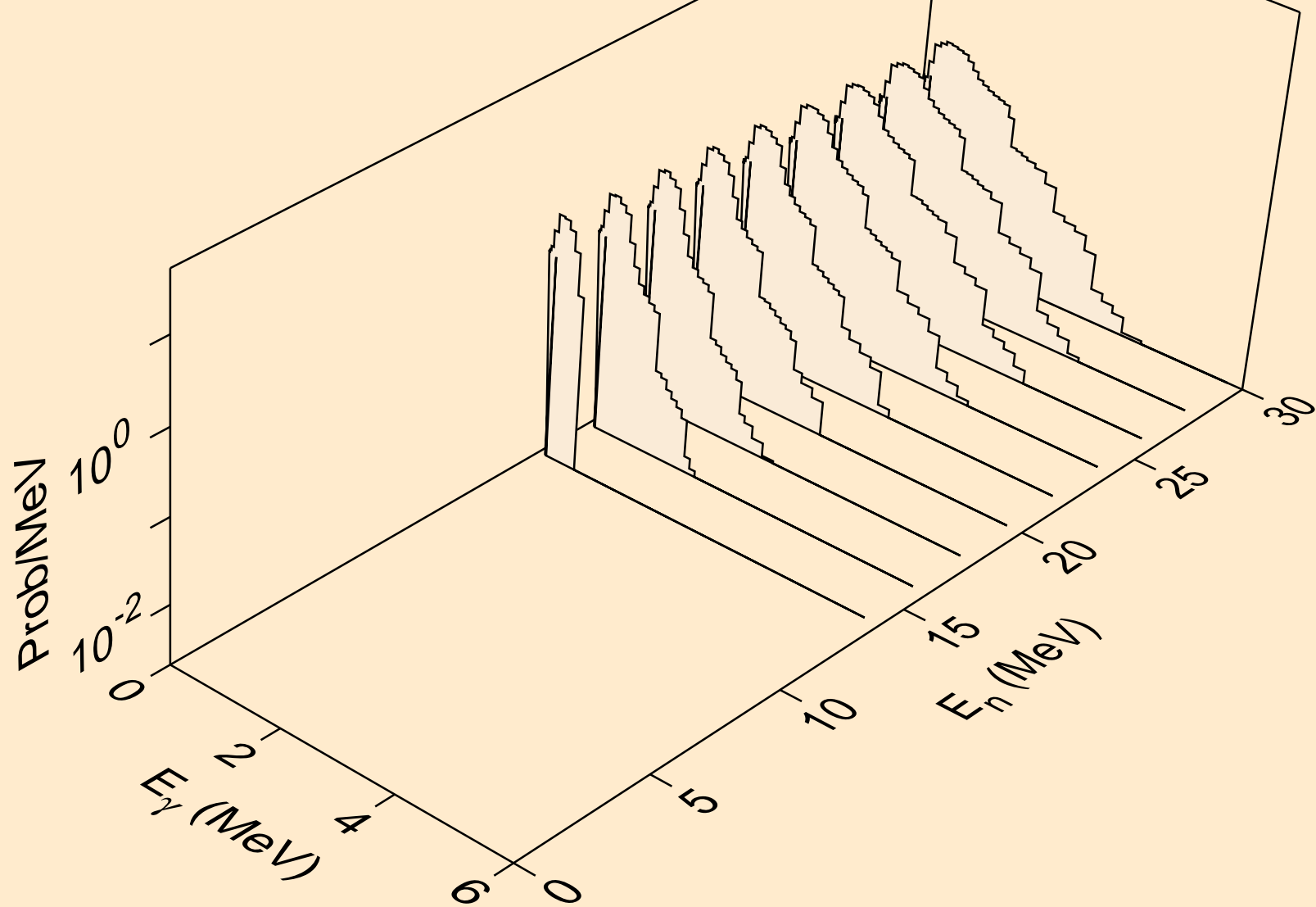
AU210 HELION ACER TENDL-2021 LIBRARY; T=0.K  
Photon emission for (n,n\*)d



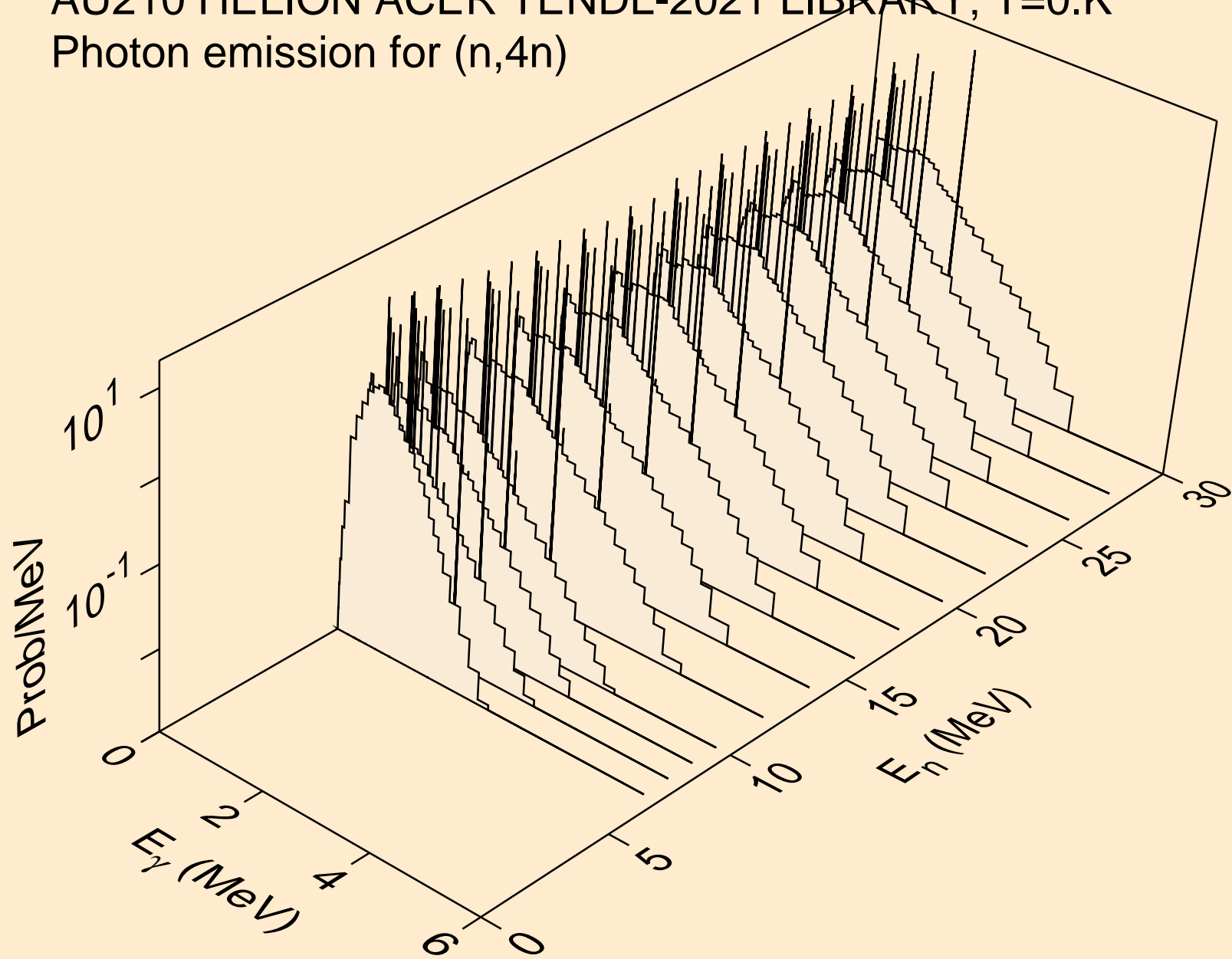
AU210 HELION ACER TENDL-2021 LIBRARY; T=0.K  
Photon emission for (n,n\*)t



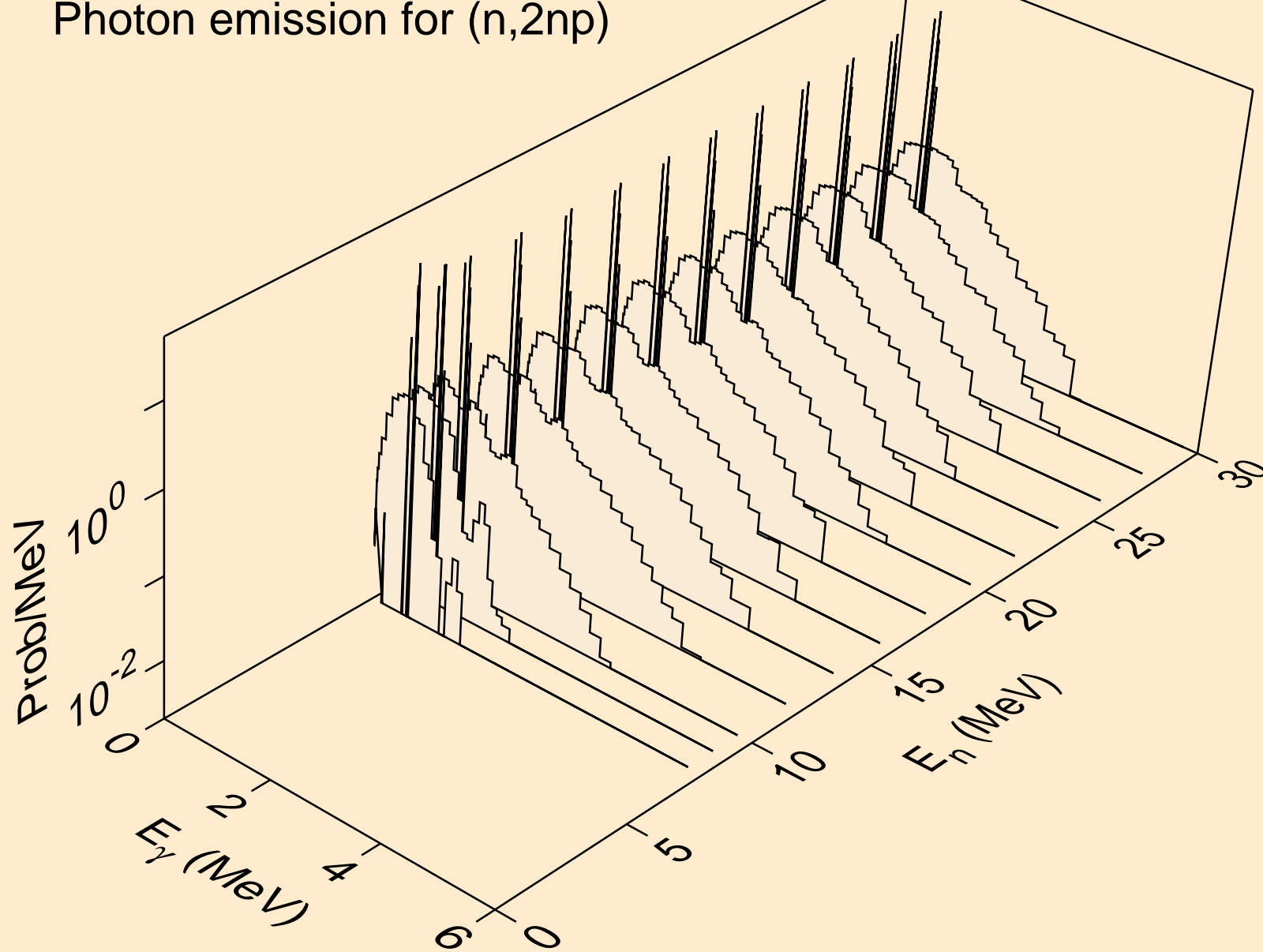
AU210 HELION ACER TENDL-2021 LIBRARY; T=0.K  
Photon emission for (n,n\*)he3



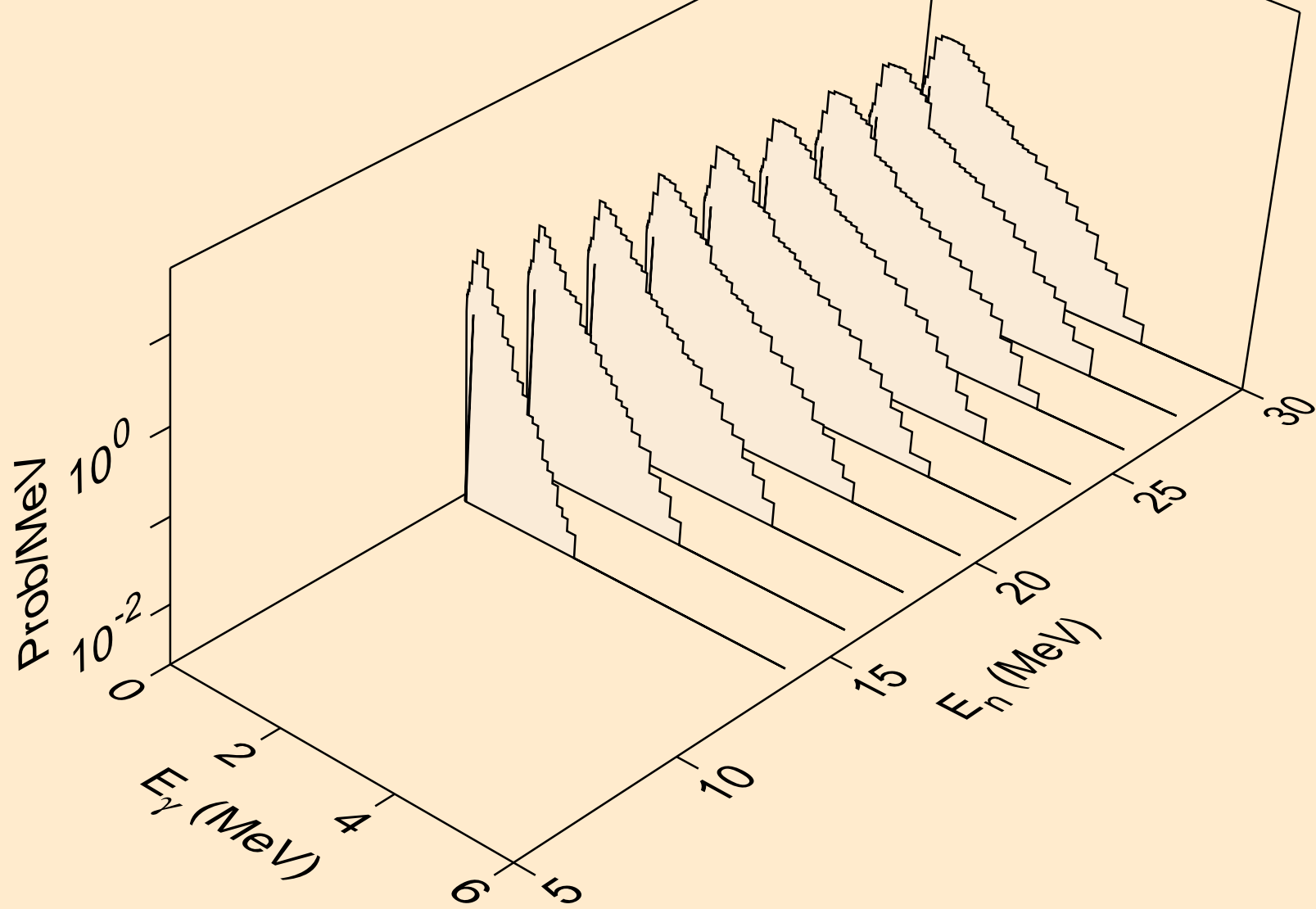
AU210 HELION ACER TENDL-2021 LIBRARY; T=0.K  
Photon emission for (n,4n)



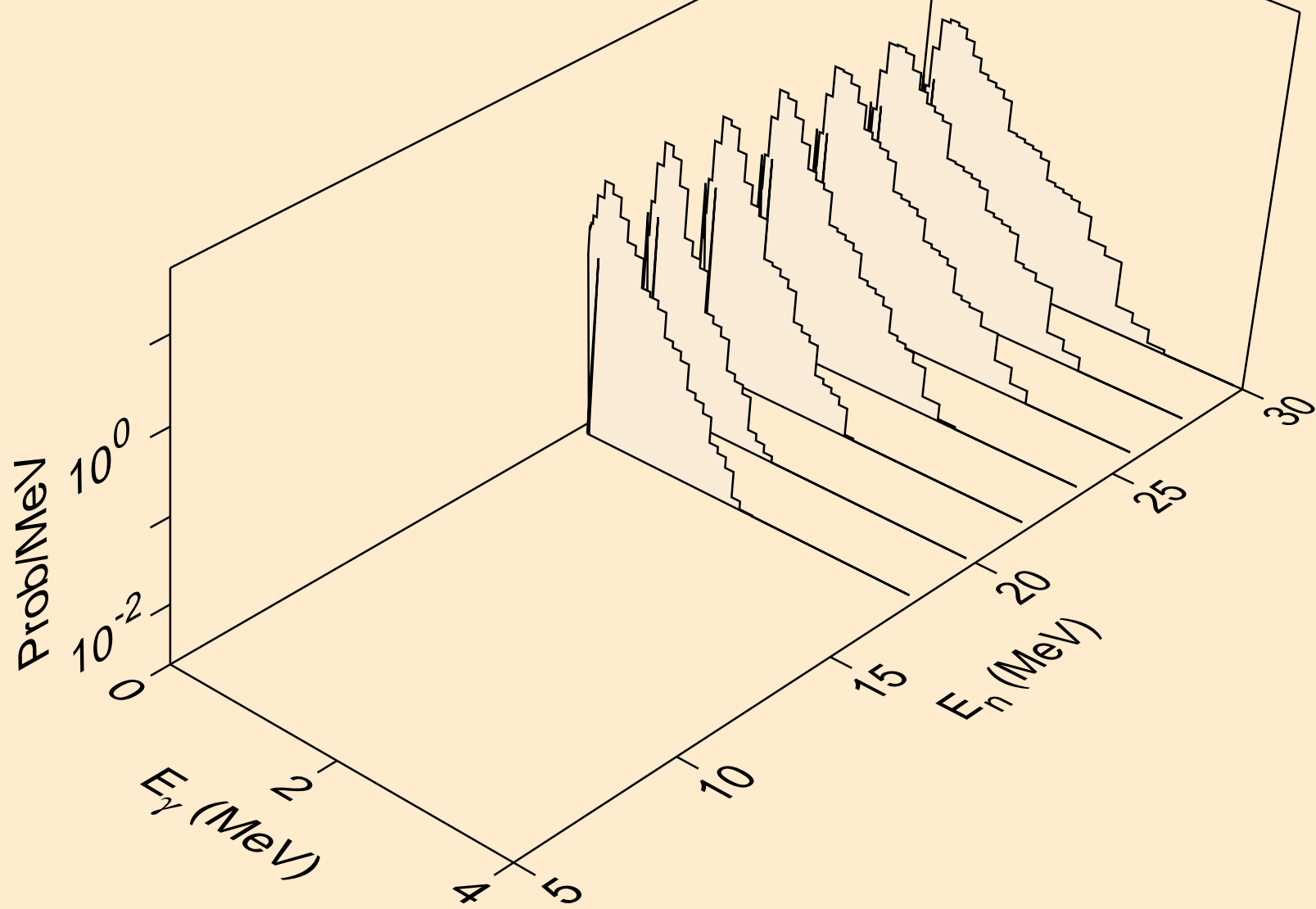
AU210 HELION ACER TENDL-2021 LIBRARY; T=0.K  
Photon emission for (n,2np)



AU210 HELION ACER TENDL-2021 LIBRARY; T=0.K  
Photon emission for (n,3np)

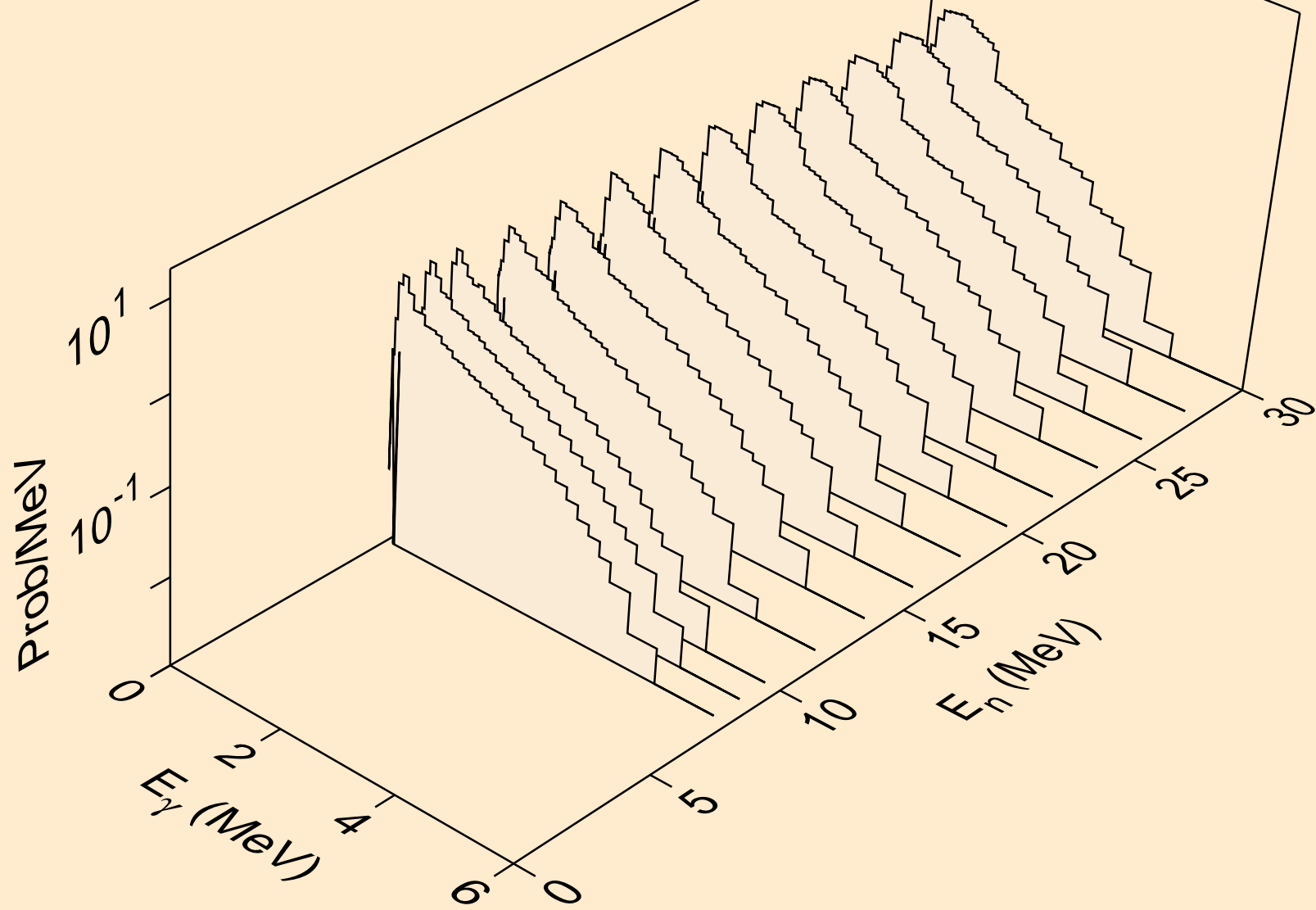


AU210 HELION ACER TENDL-2021 LIBRARY; T=0.K  
Photon emission for (n,2np)

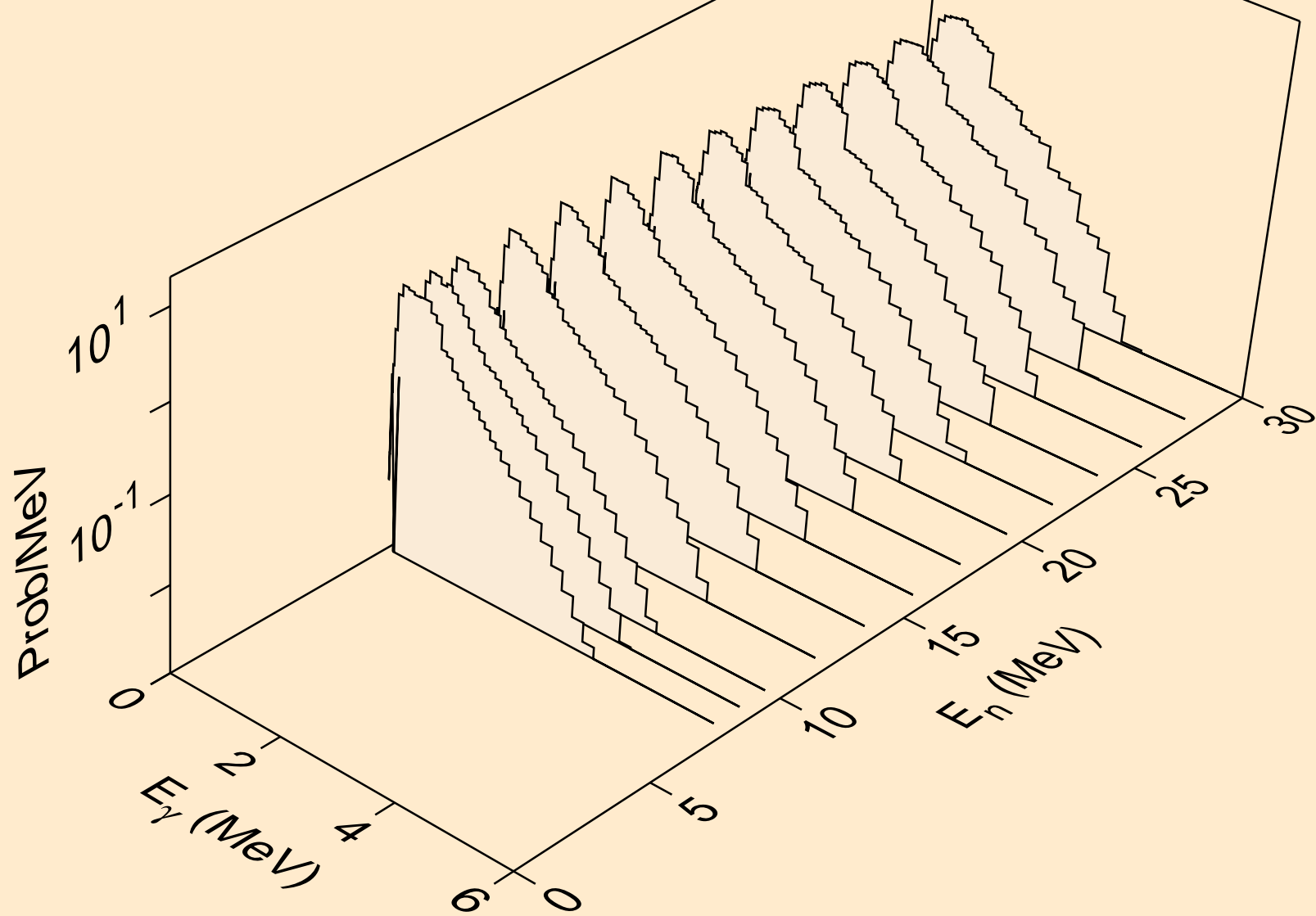




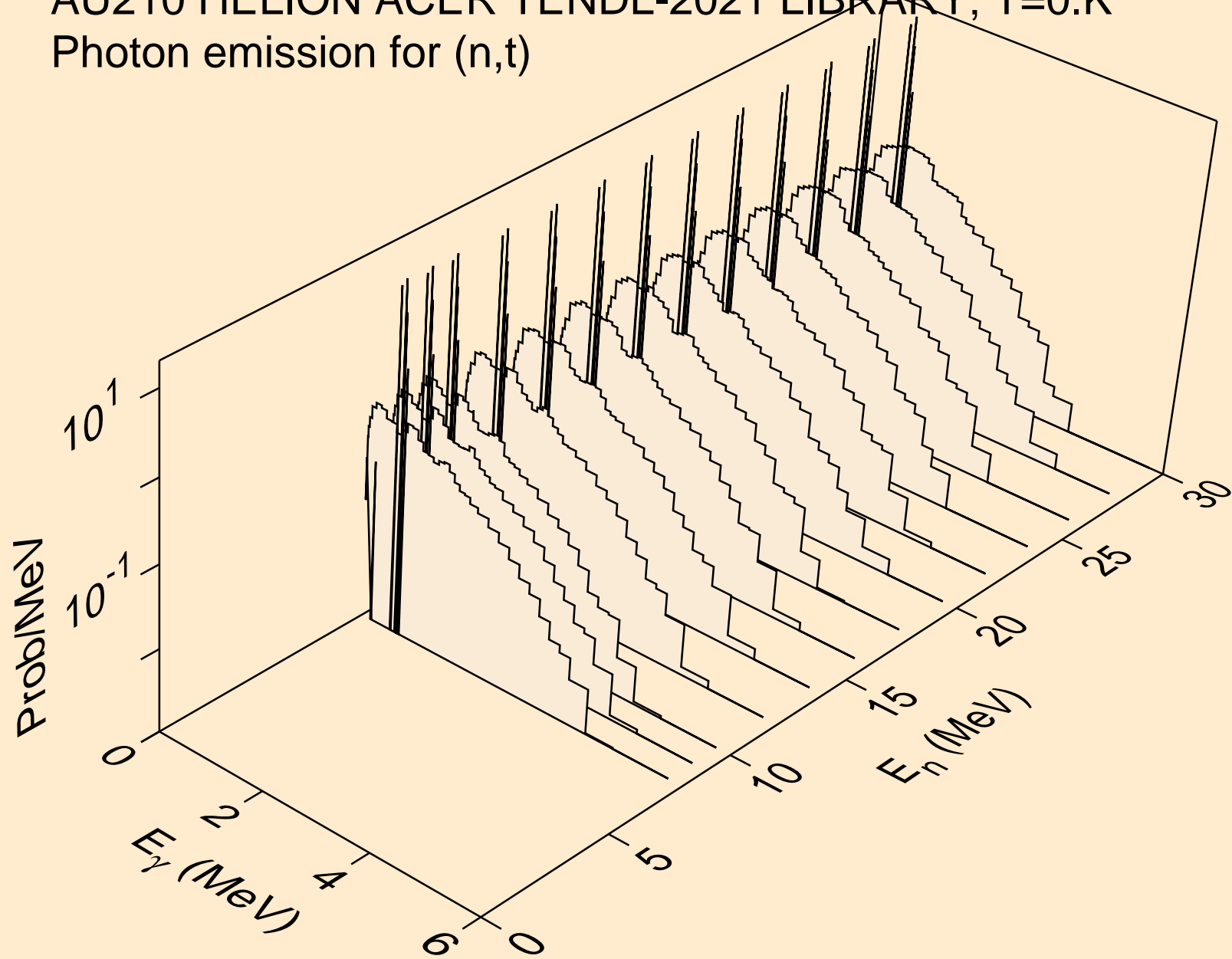
AU210 HELION ACER TENDL-2021 LIBRARY; T=0.K  
Photon emission for (n,p)



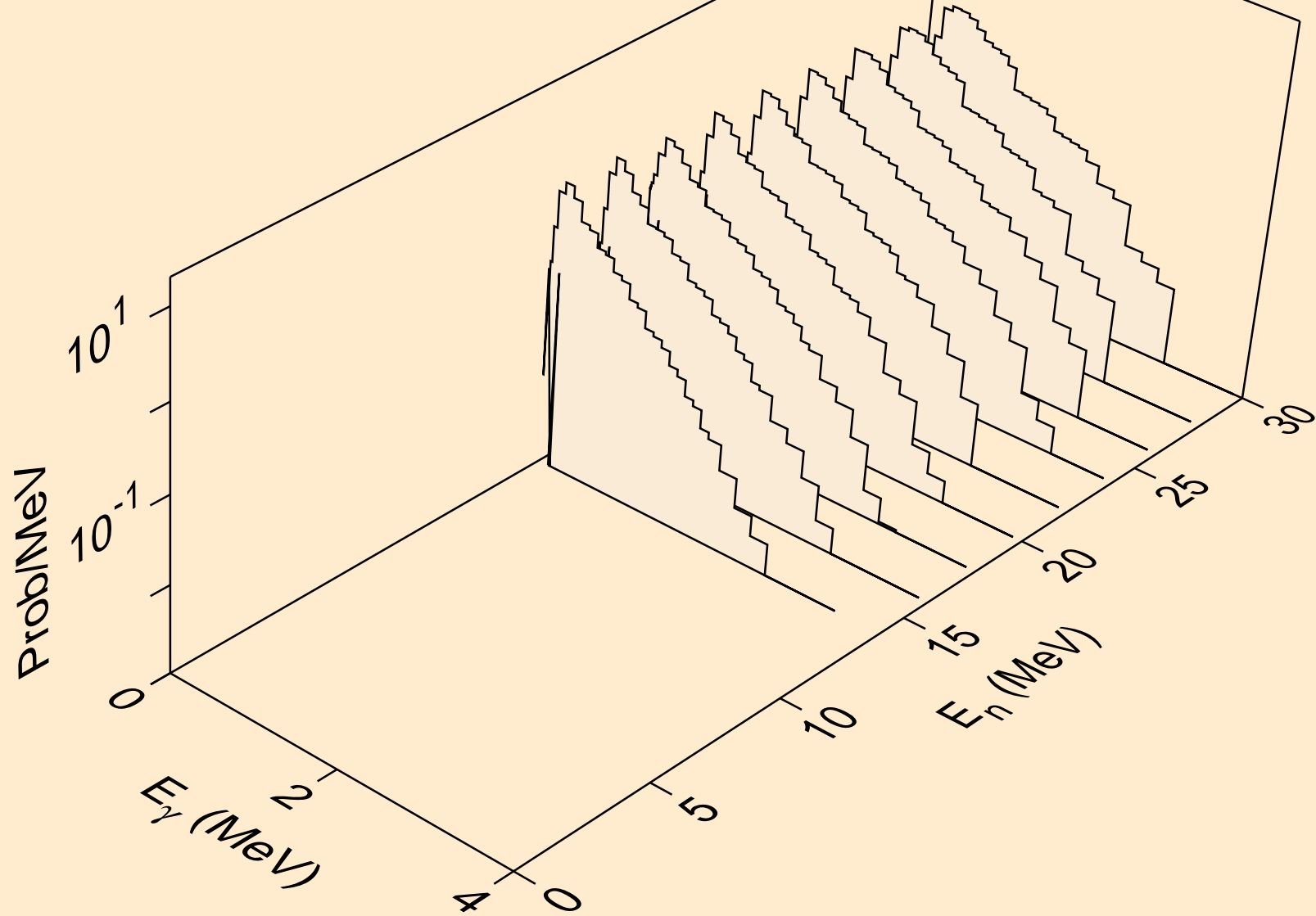
AU210 HELION ACER TENDL-2021 LIBRARY; T=0.K  
Photon emission for (n,d)



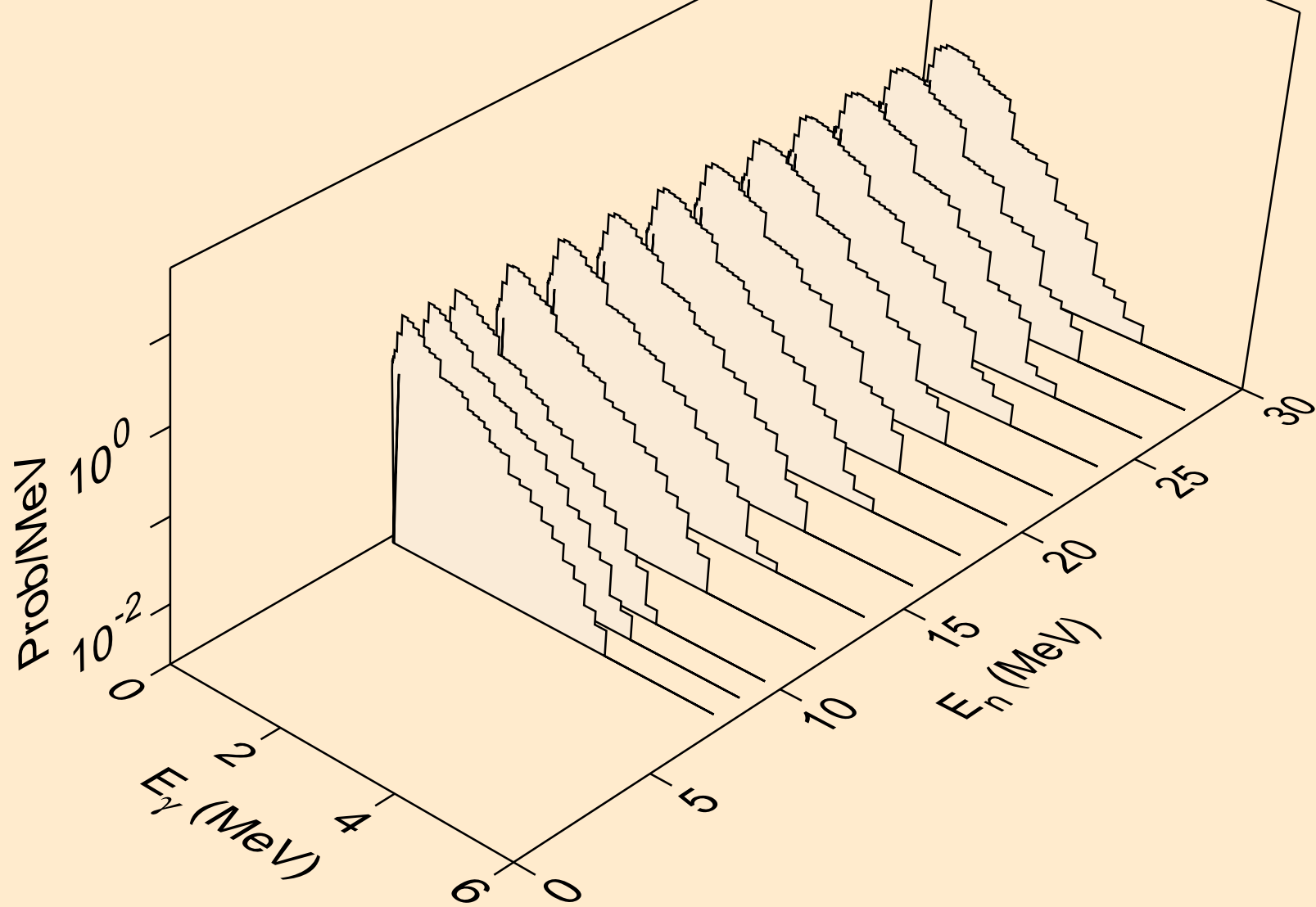
AU210 HELION ACER TENDL-2021 LIBRARY; T=0.K  
Photon emission for (n,t)



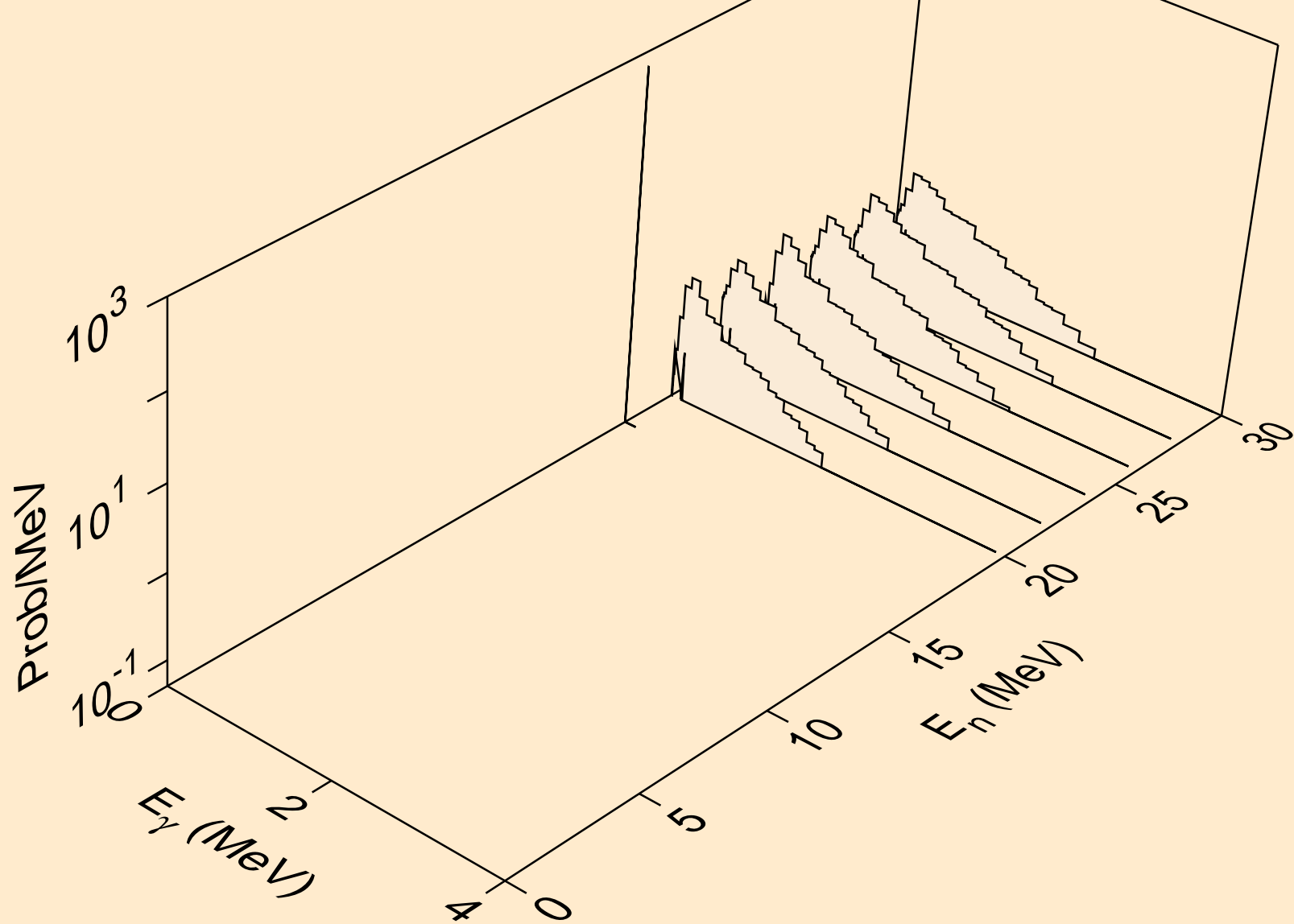
AU210 HELION ACER TENDL-2021 LIBRARY; T=0.K  
Photon emission for inelastic



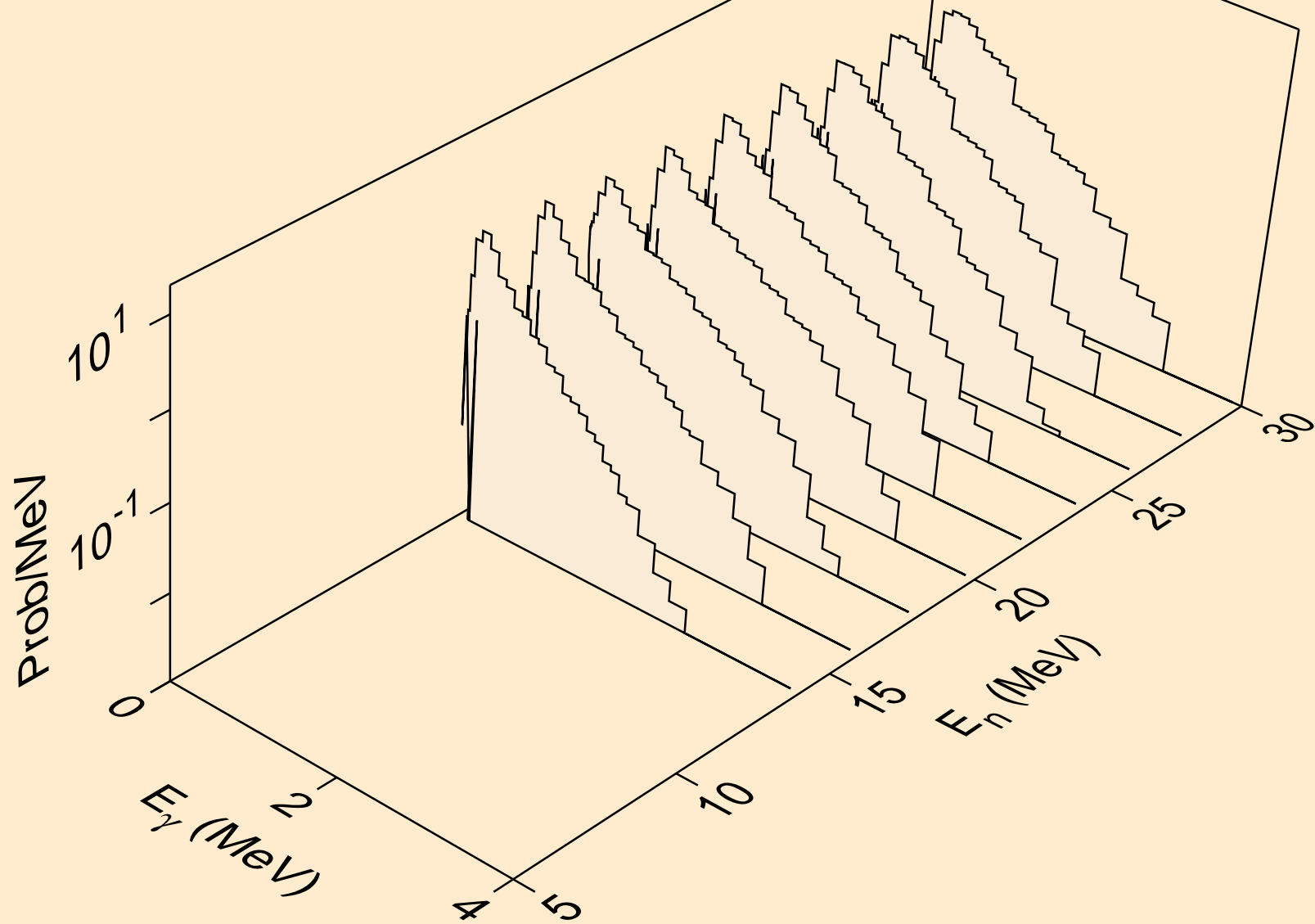
AU210 HELION ACER TENDL-2021 LIBRARY; T=0.K  
Photon emission for (n,a)



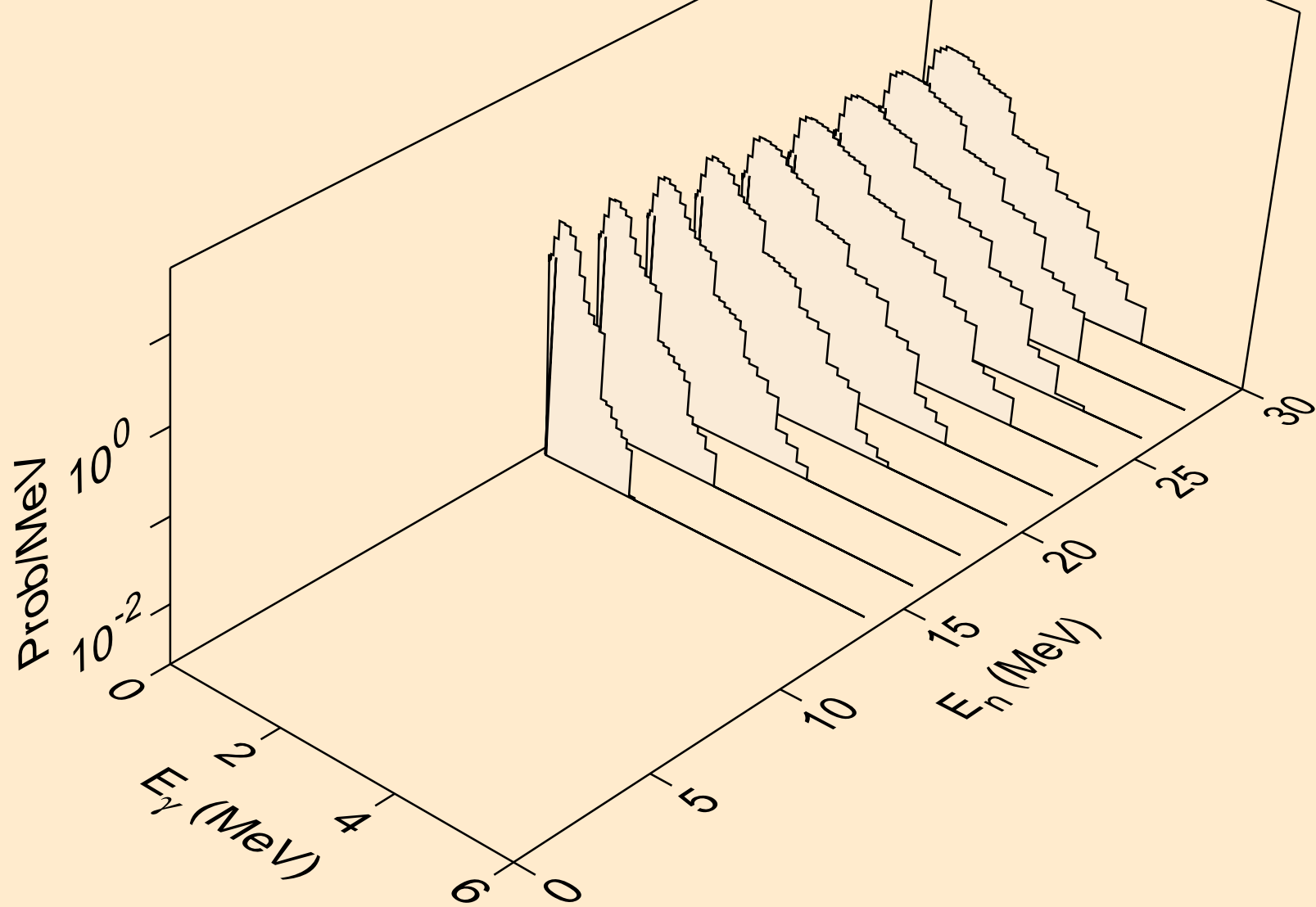
AU210 HELION ACER TENDL-2021 LIBRARY; T=0.K  
Photon emission for (n,2p)



AU210 HELION ACER TENDL-2021 LIBRARY; T=0.K  
Photon emission for (n,pd)



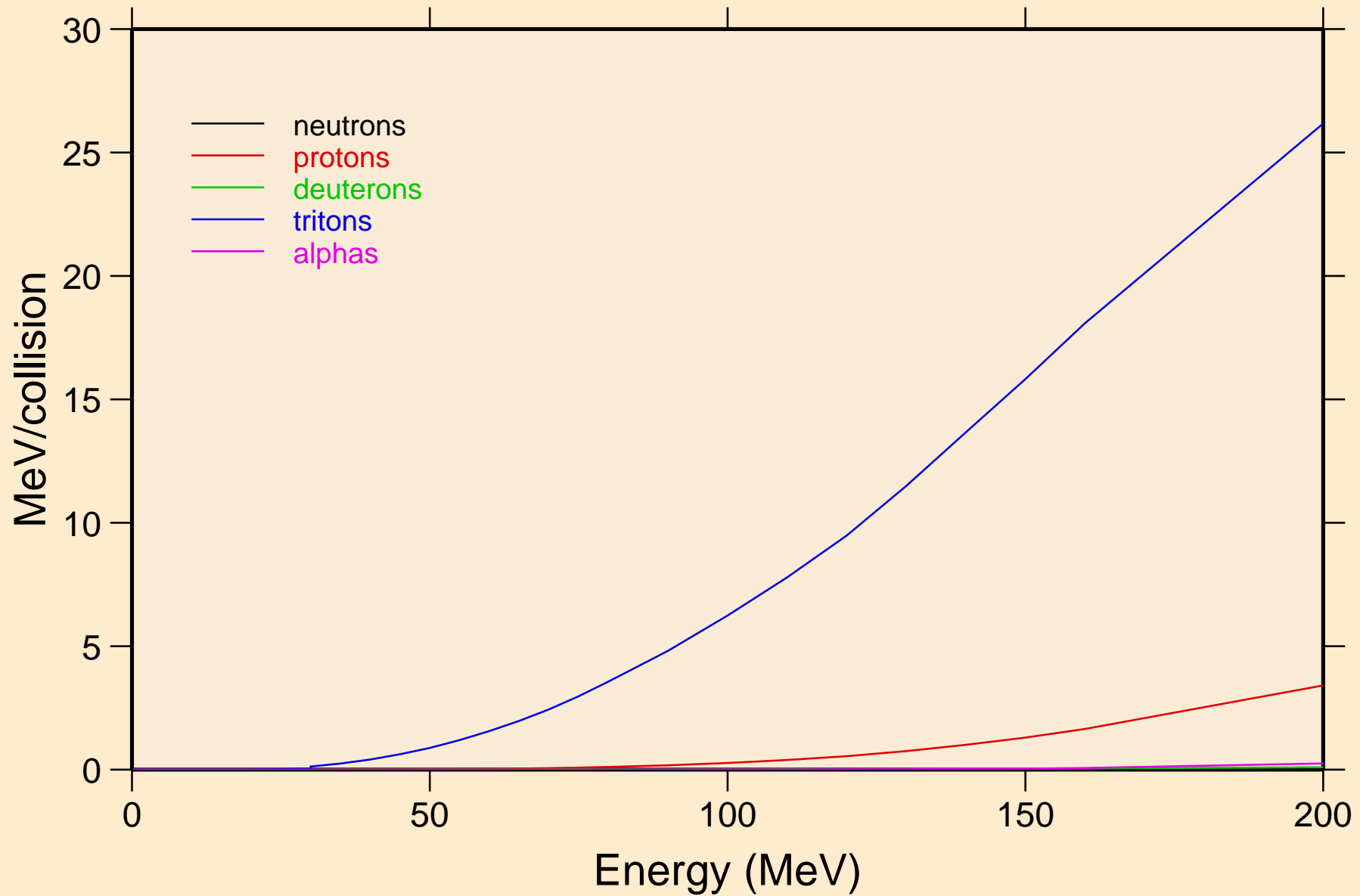
AU210 HELION ACER TENDL-2021 LIBRARY; T=0.K  
Photon emission for (n,pt)



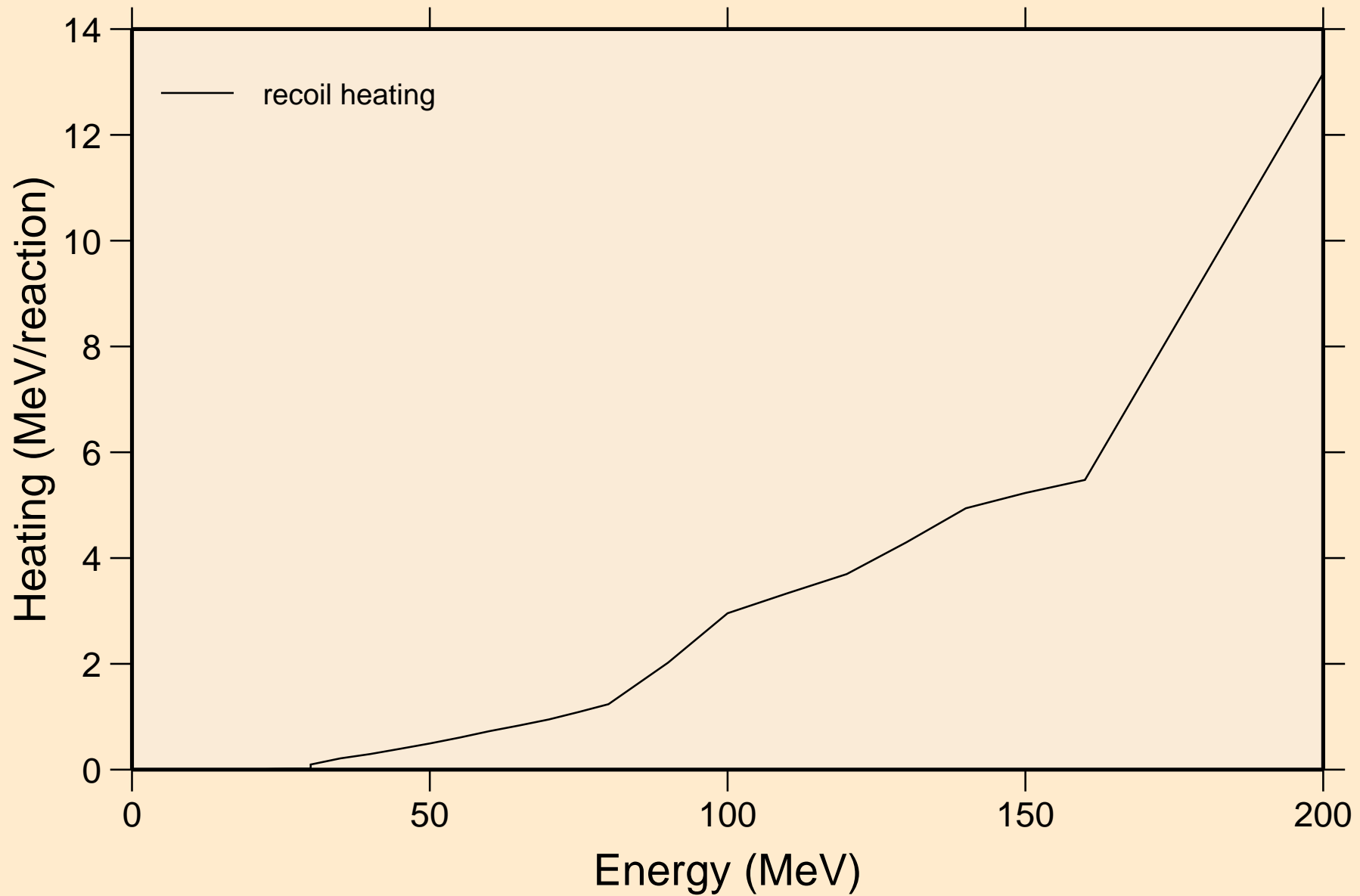


# AU210 HELION ACER TENDL-2021 LIBRARY; T=0.K

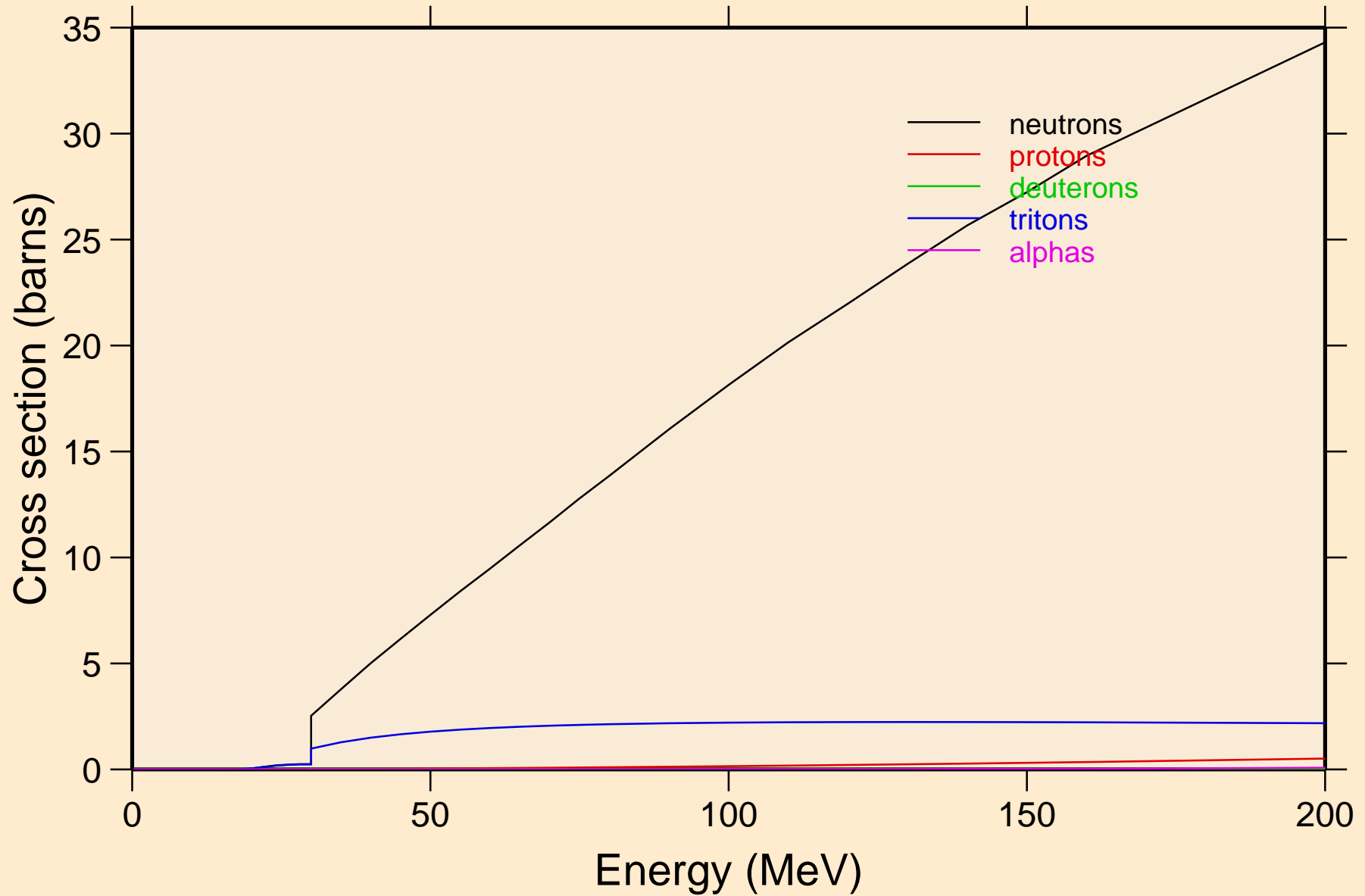
## Particle heating contributions



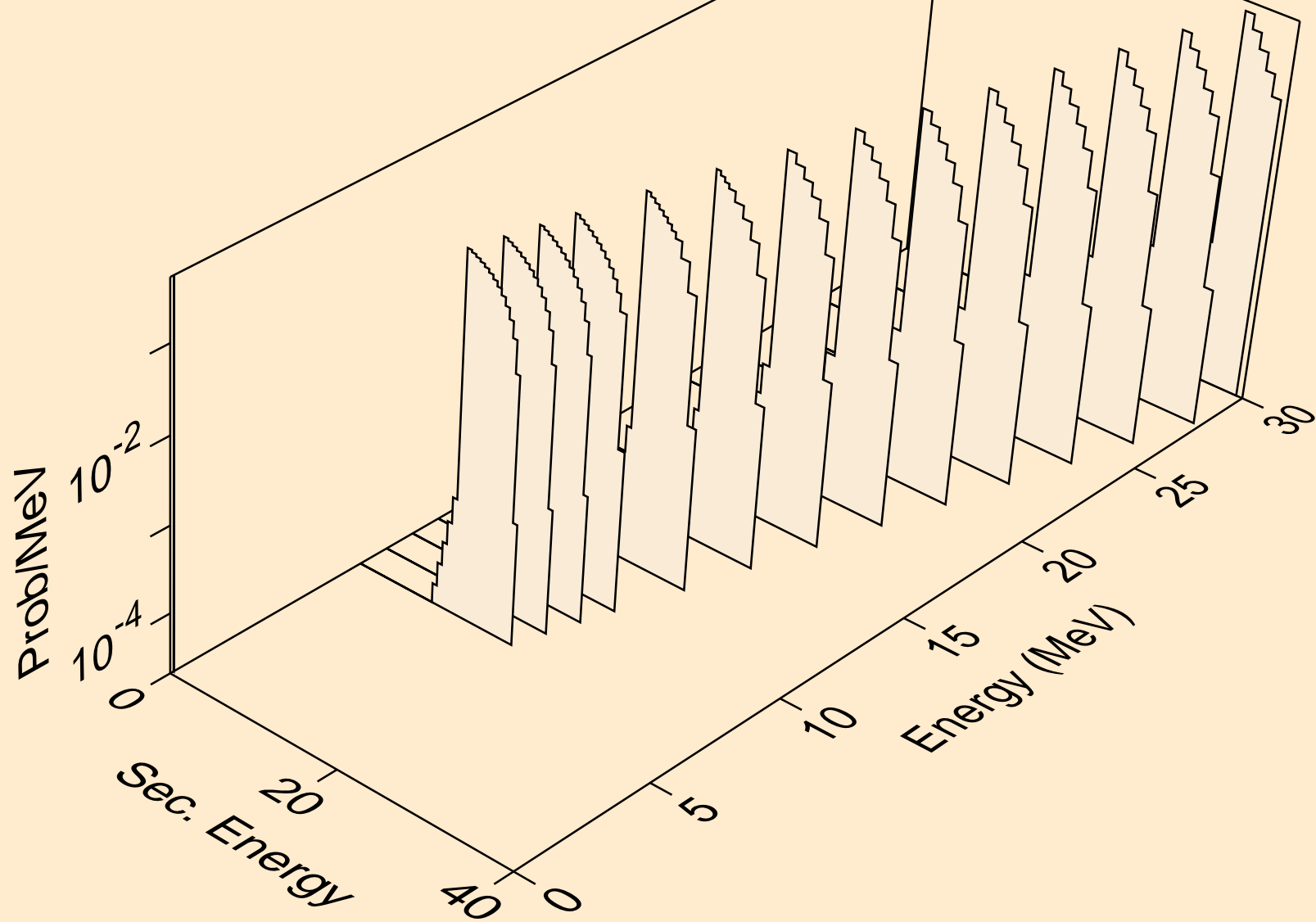
AU210 HELION ACER TENDL-2021 LIBRARY; T=0.K  
Recoil Heating



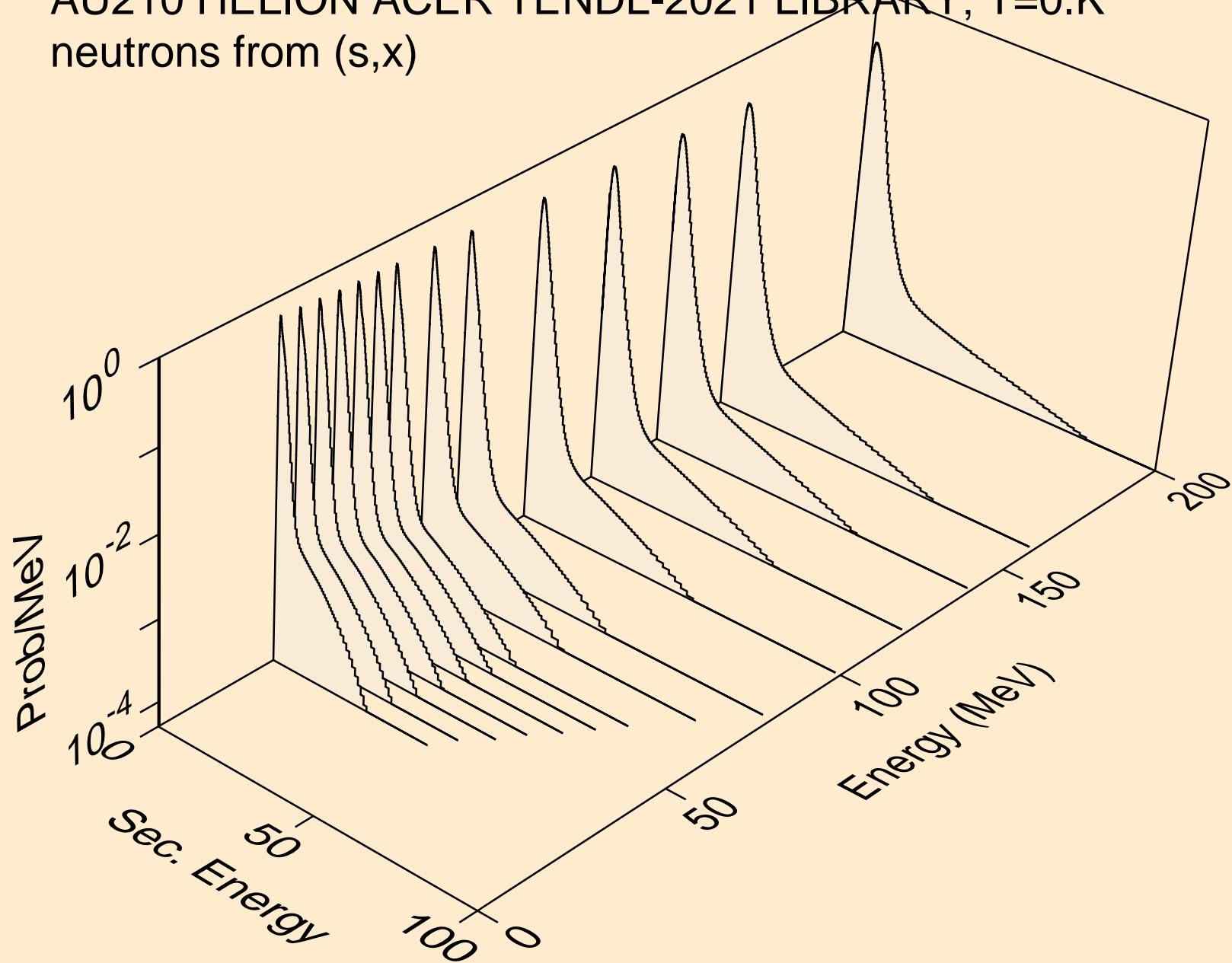
AU210 HELION ACER TENDL-2021 LIBRARY; T=0.K  
Particle production cross sections



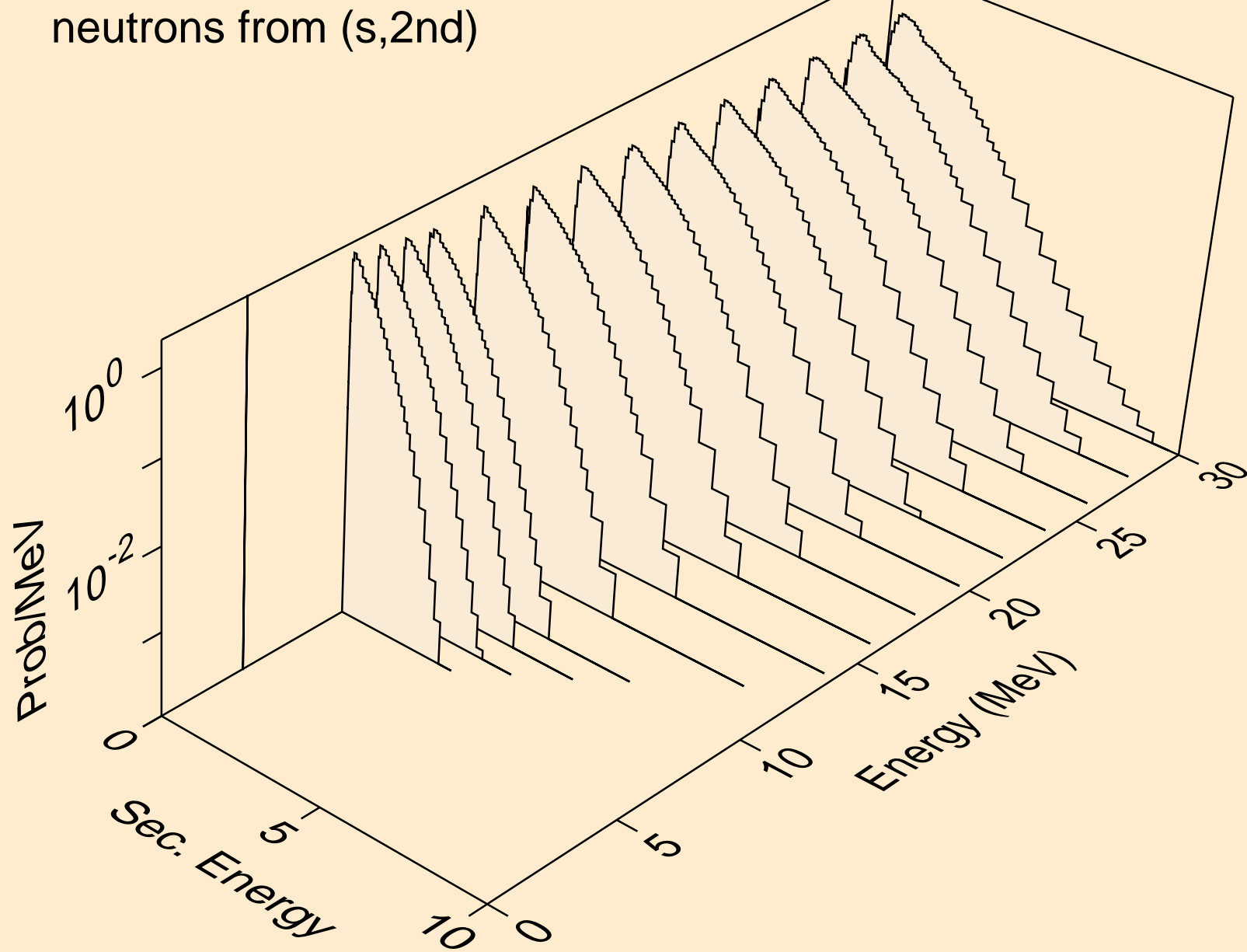
AU210 HELION ACER TENDL-2021 LIBRARY; T=0.K  
neutrons from (s,n)



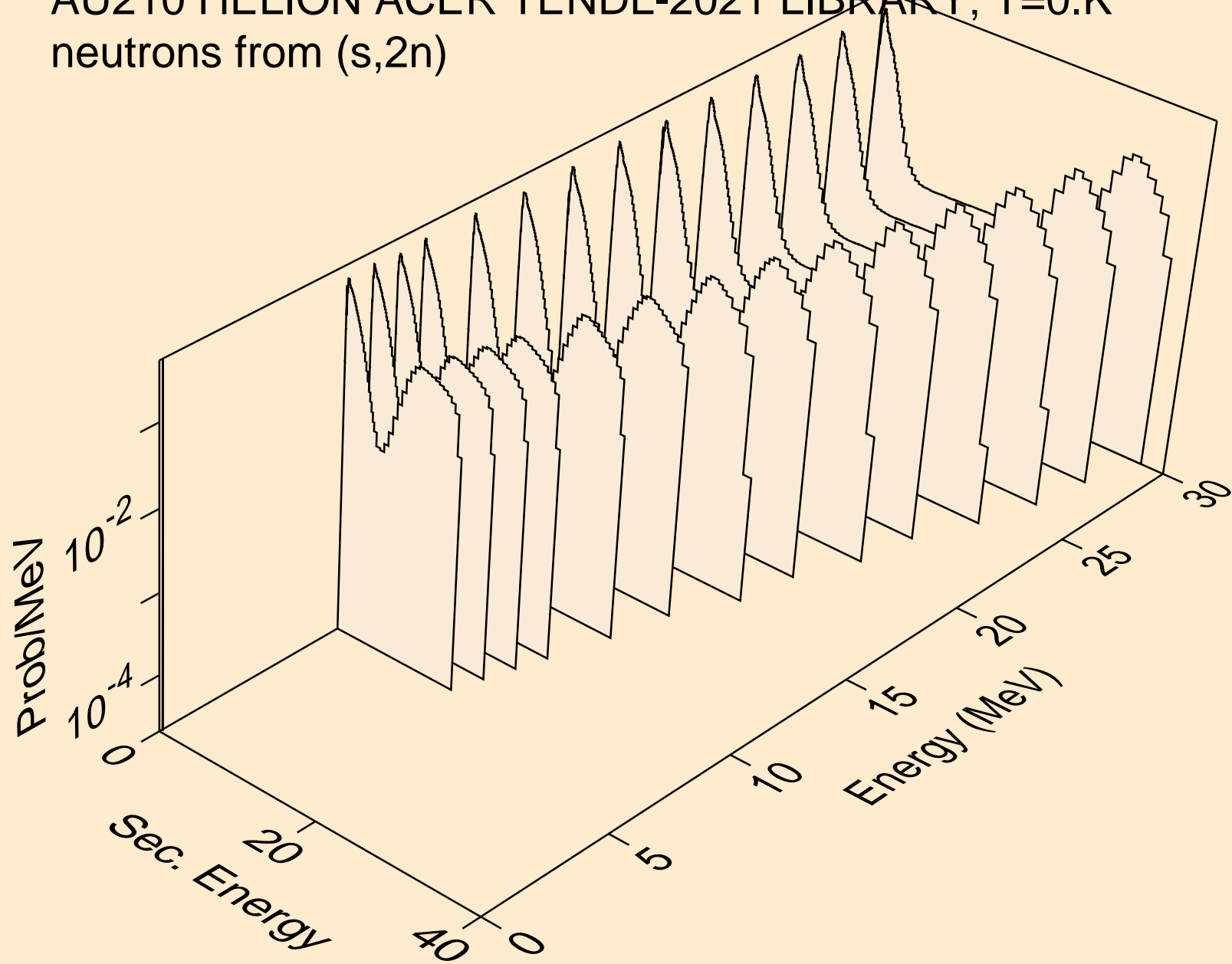
AU210 HELION ACER TENDL-2021 LIBRARY; T=0.K  
neutrons from (s,x)



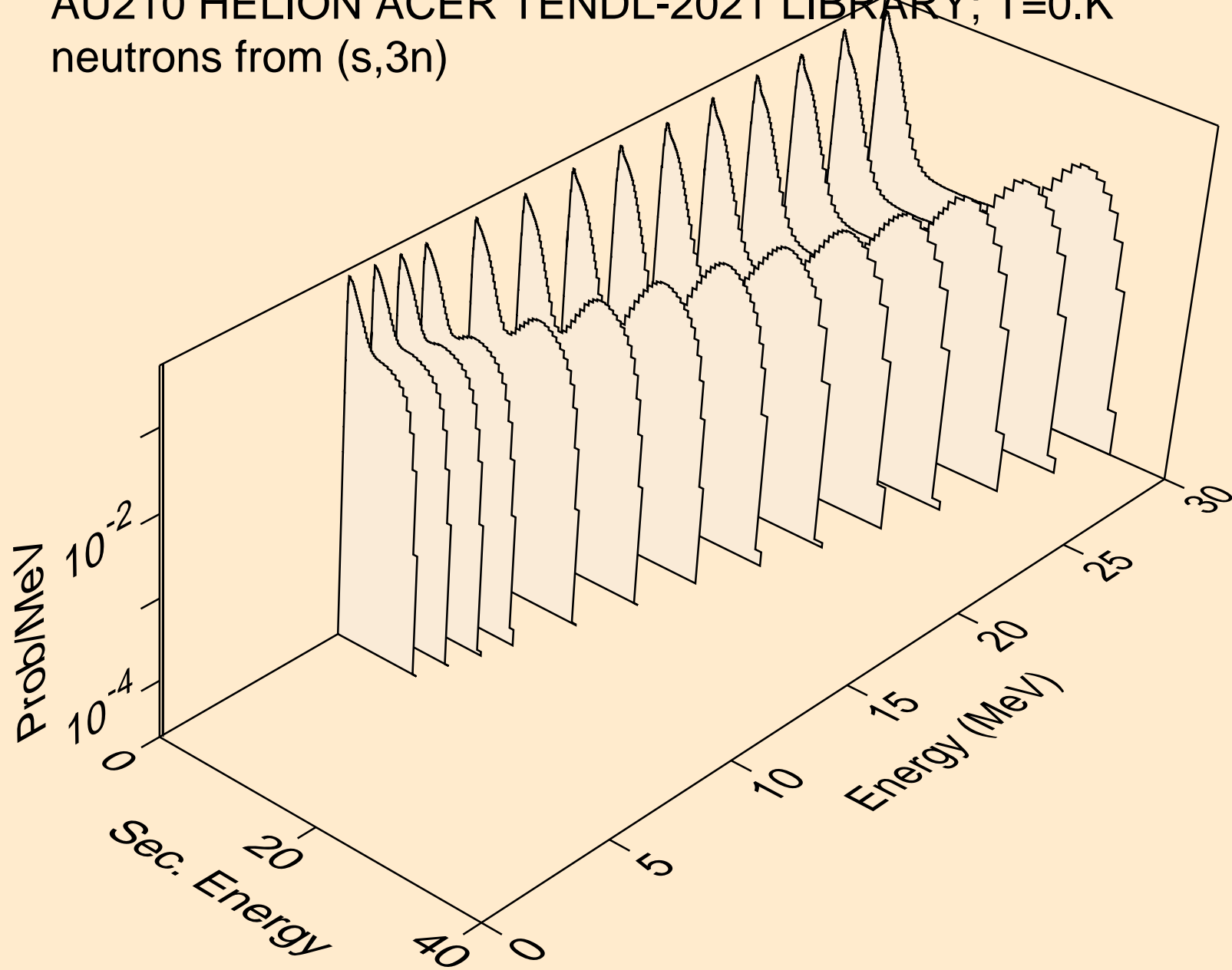
AU210 HELION ACER TENDL-2021 LIBRARY; T=0.K  
neutrons from (s,2nd)



AU210 HELION ACER TENDL-2021 LIBRARY; T=0.K  
neutrons from (s,2n)

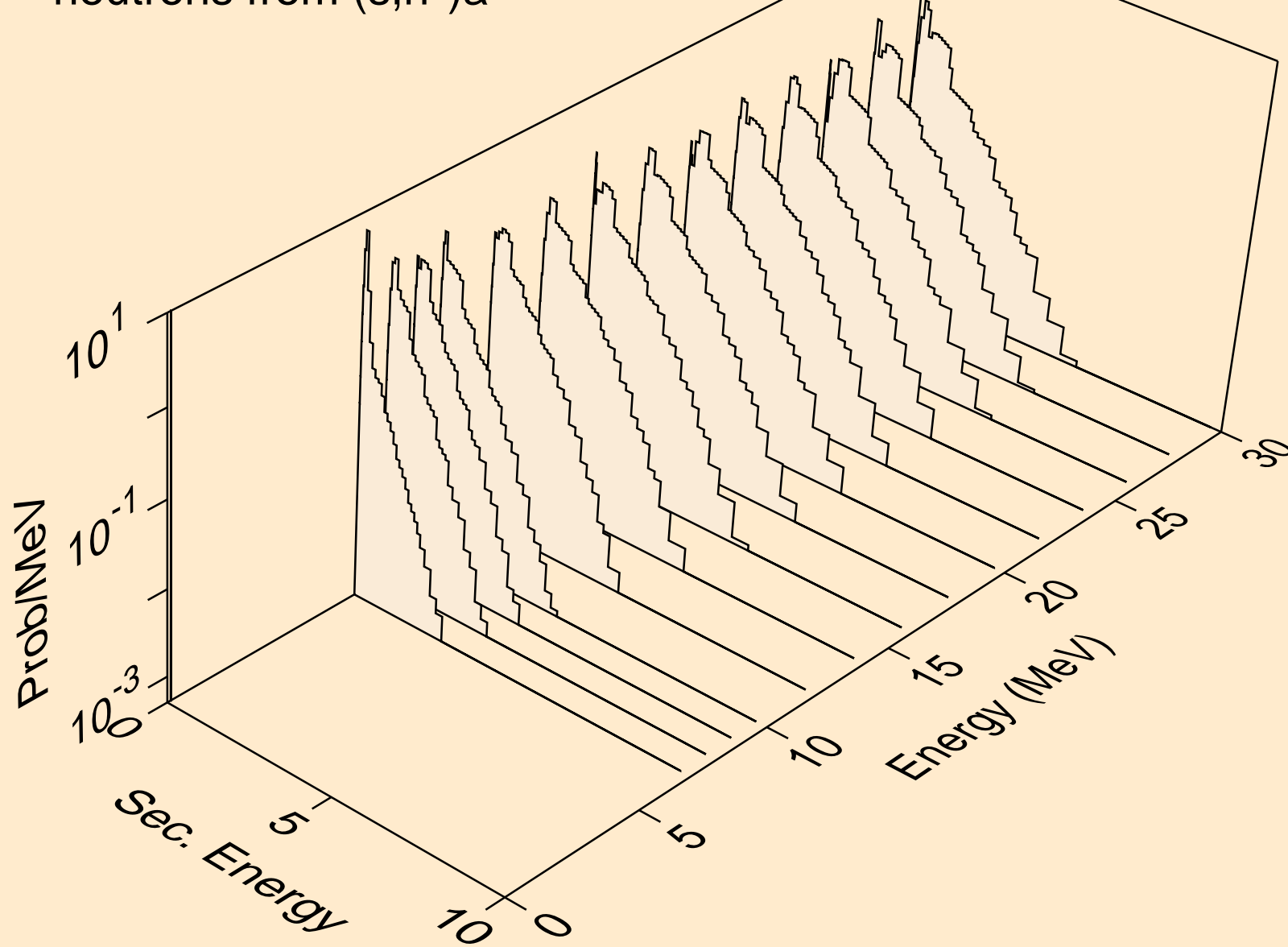


AU210 HELION ACER TENDL-2021 LIBRARY; T=0.K  
neutrons from (s,3n)

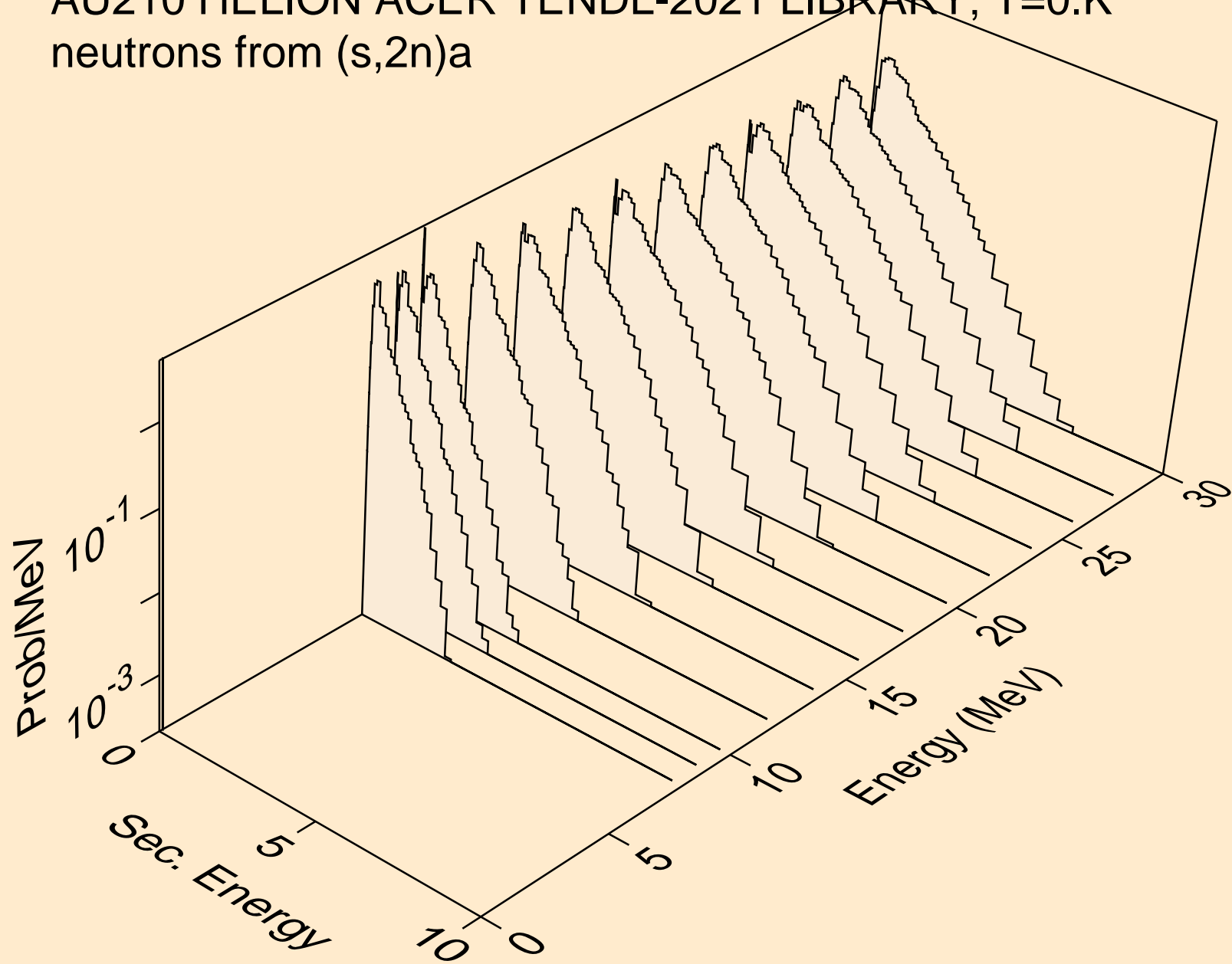




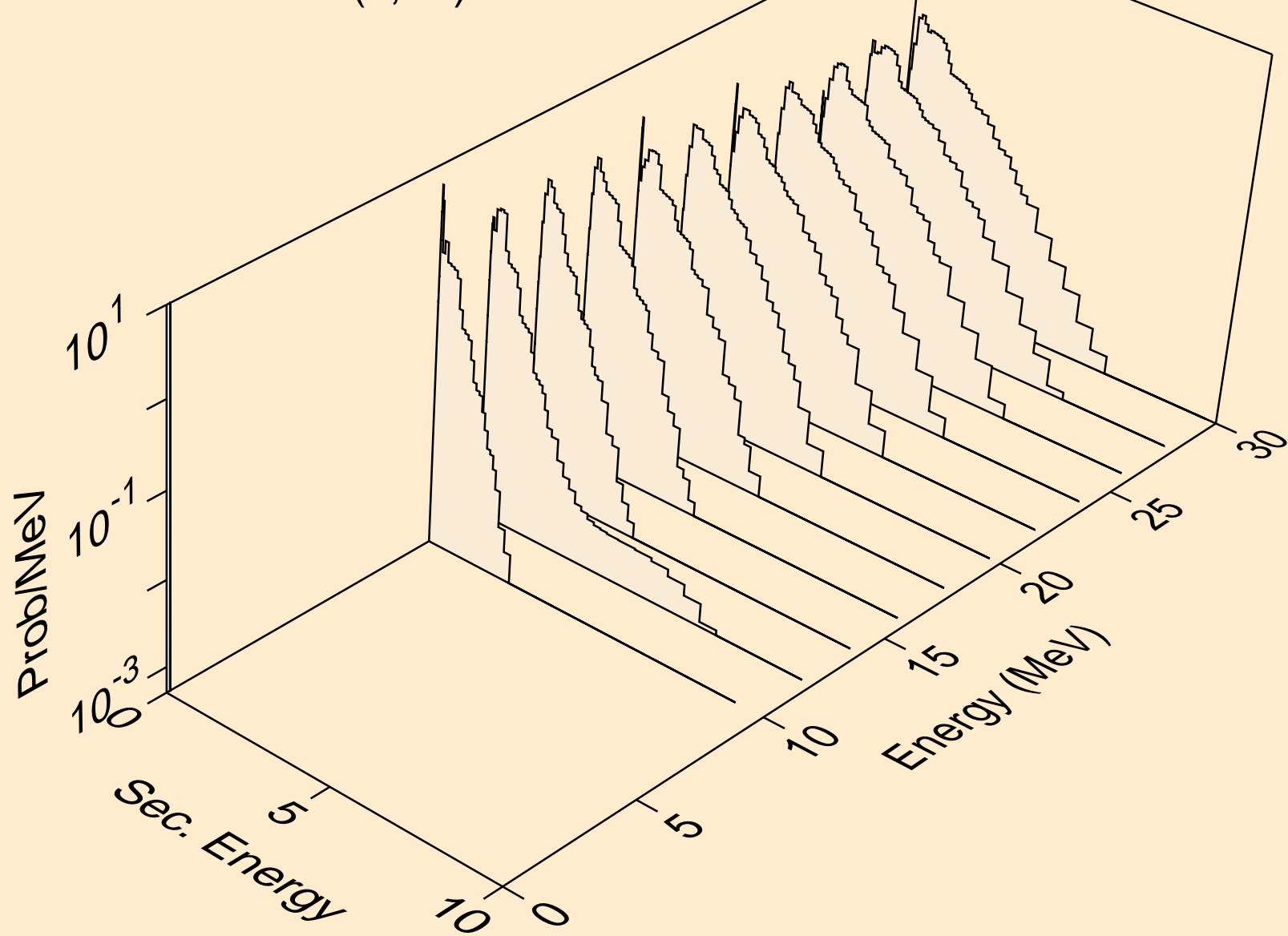
AU210 HELION ACER TENDL-2021 LIBRARY; T=0.K  
neutrons from (s,n\*)a



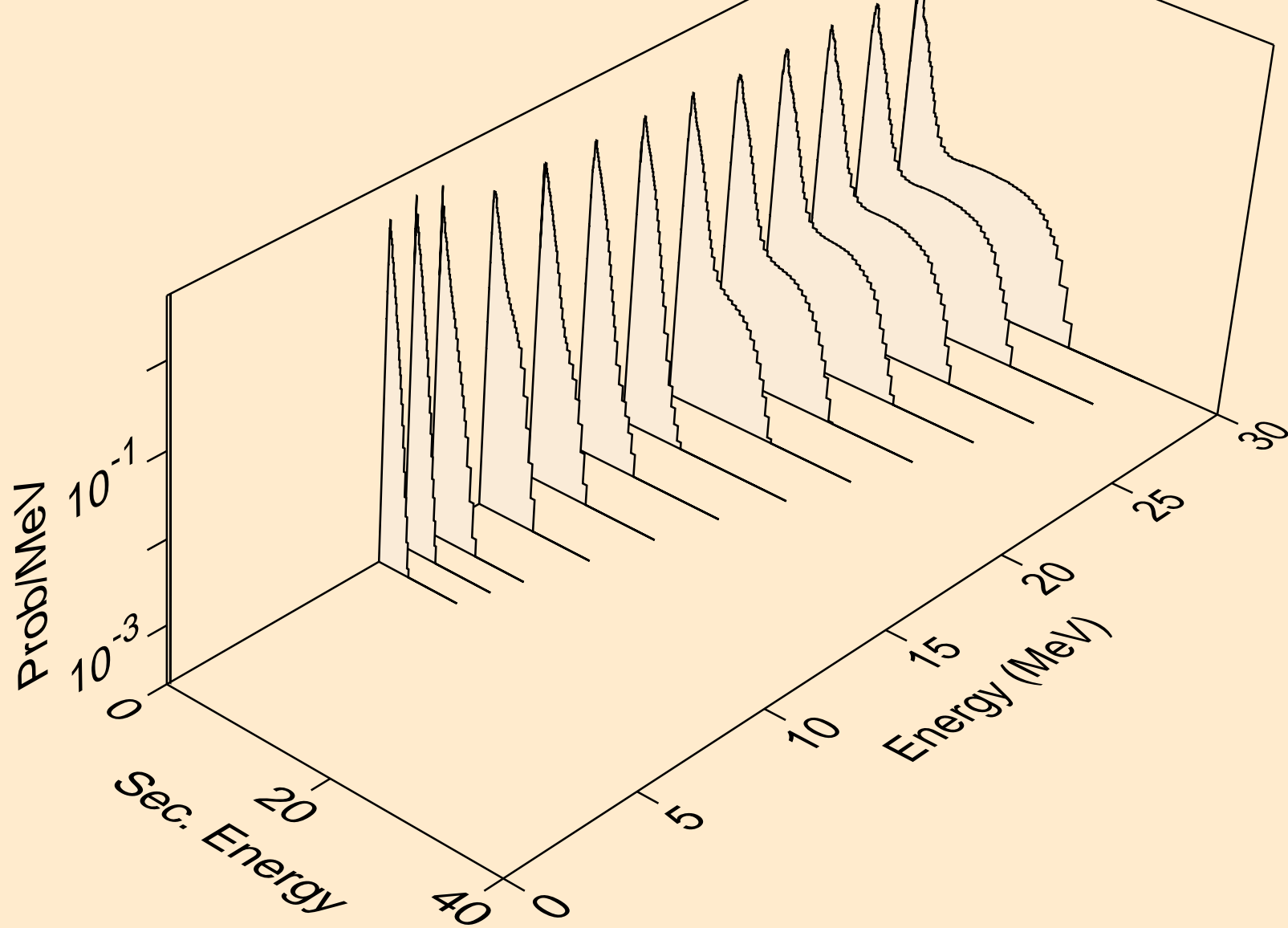
AU210 HELION ACER TENDL-2021 LIBRARY; T=0.K  
neutrons from (s,2n)a



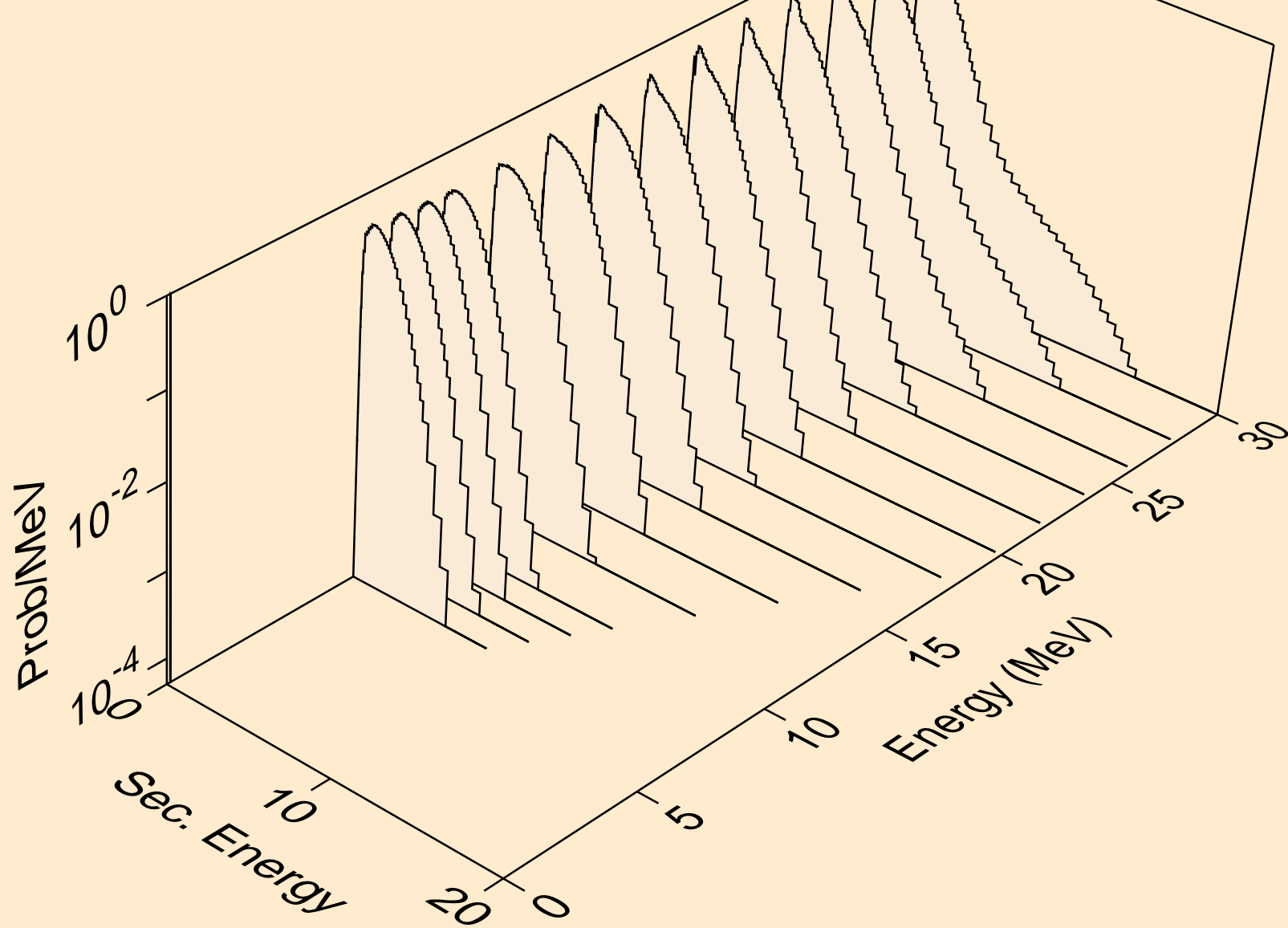
AU210 HELION ACER TENDL-2021 LIBRARY; T=0.K  
neutrons from (s,3n)a



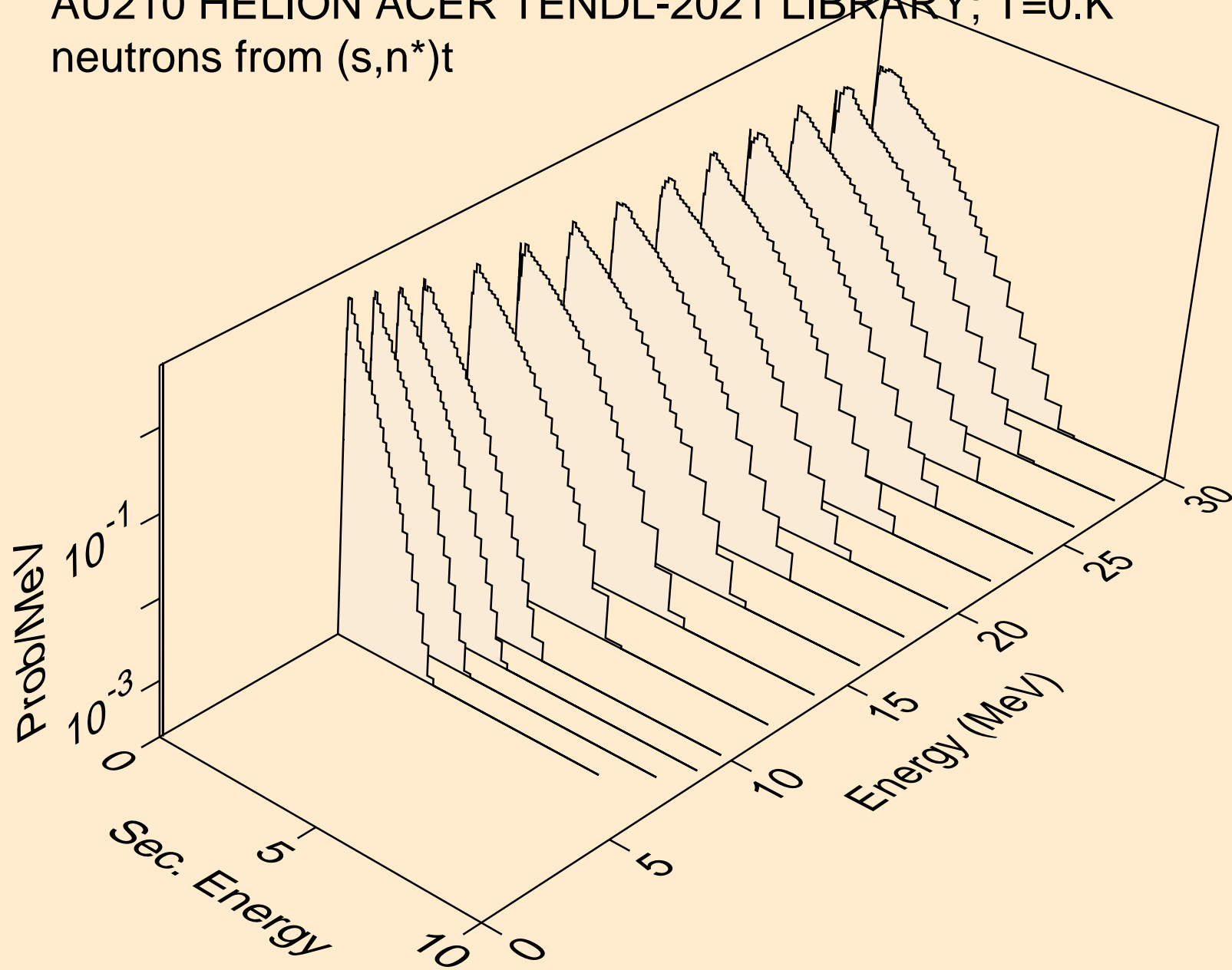
AU210 HELION ACER TENDL-2021 LIBRARY; T=0.K  
neutrons from (s,n\*)p



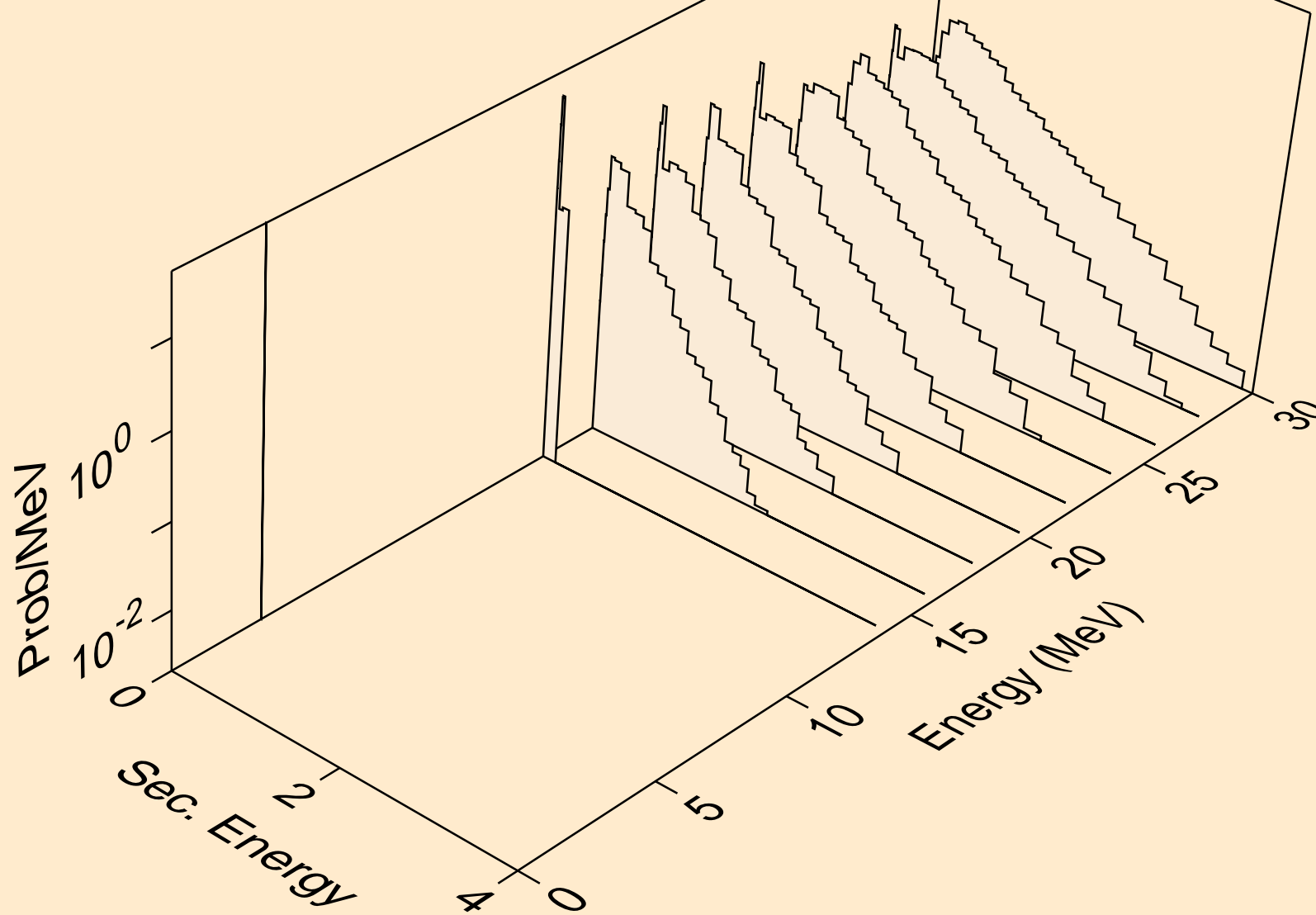
AU210 HELION ACER TENDL-2021 LIBRARY; T=0.K  
neutrons from (s,n\*)d



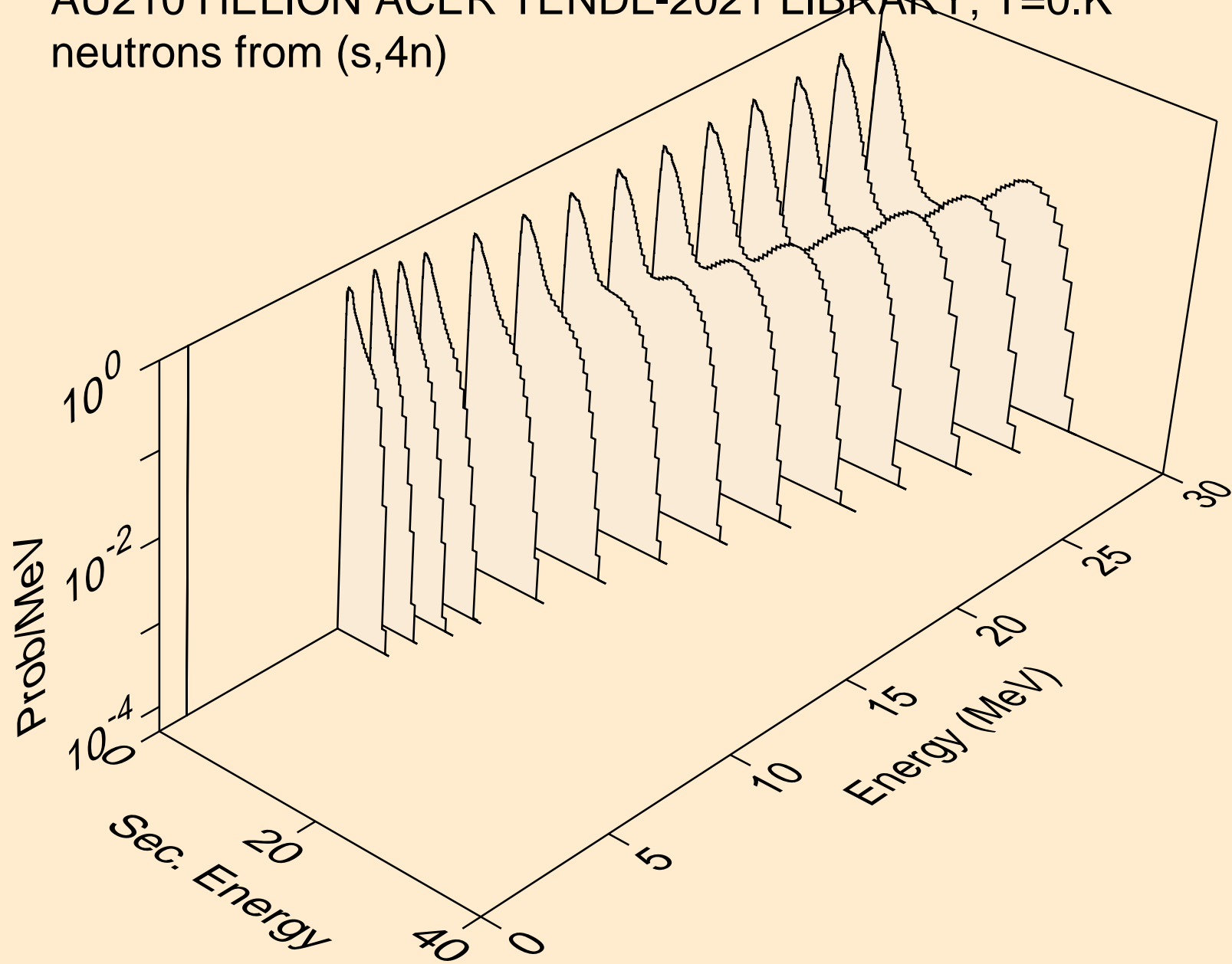
AU210 HELION ACER TENDL-2021 LIBRARY; T=0.K  
neutrons from (s,n\*)t



AU210 HELION ACER TENDL-2021 LIBRARY; T=0.K  
neutrons from (s,n\*)he3

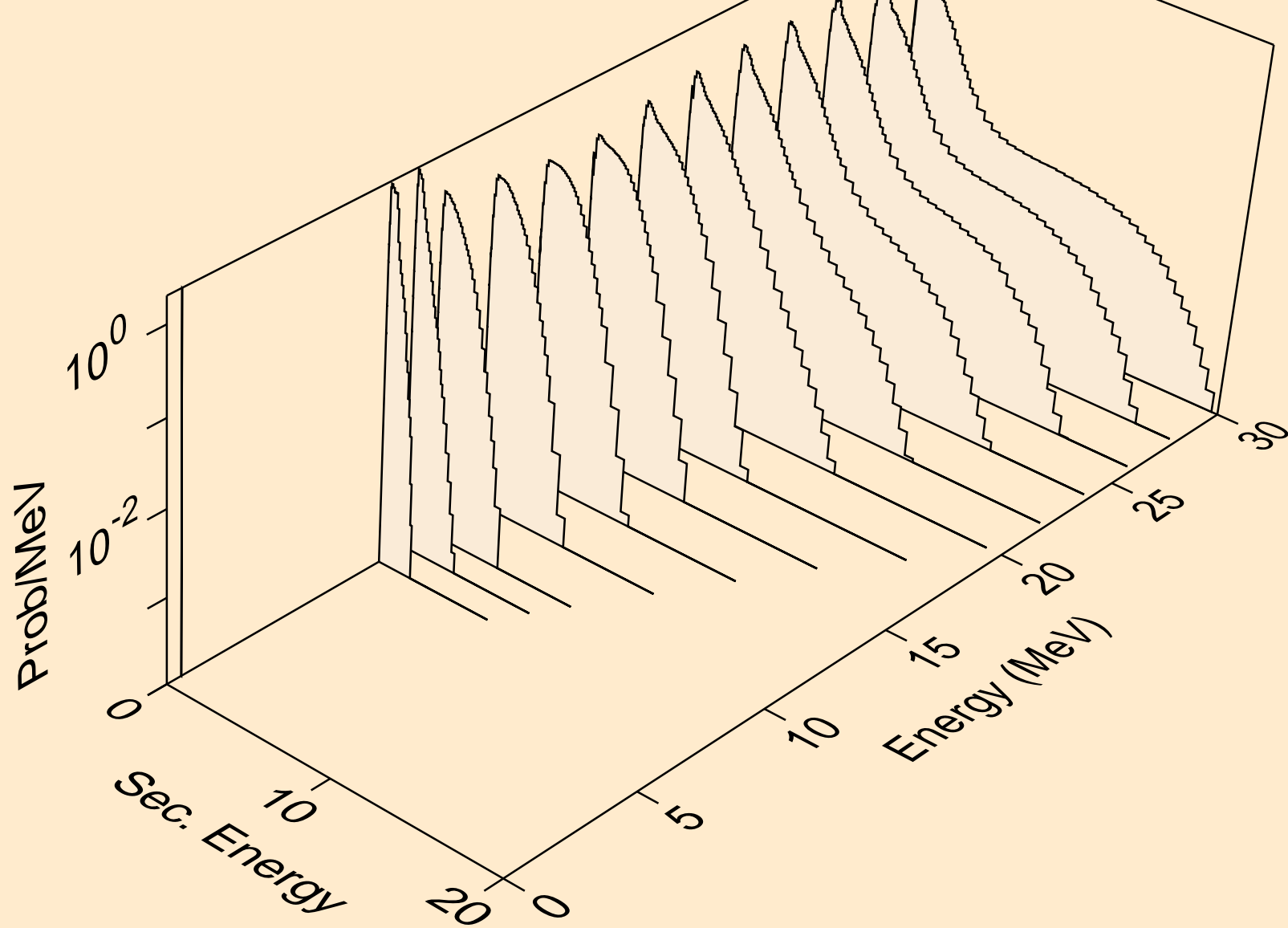


AU210 HELION ACER TENDL-2021 LIBRARY; T=0.K  
neutrons from (s,4n)

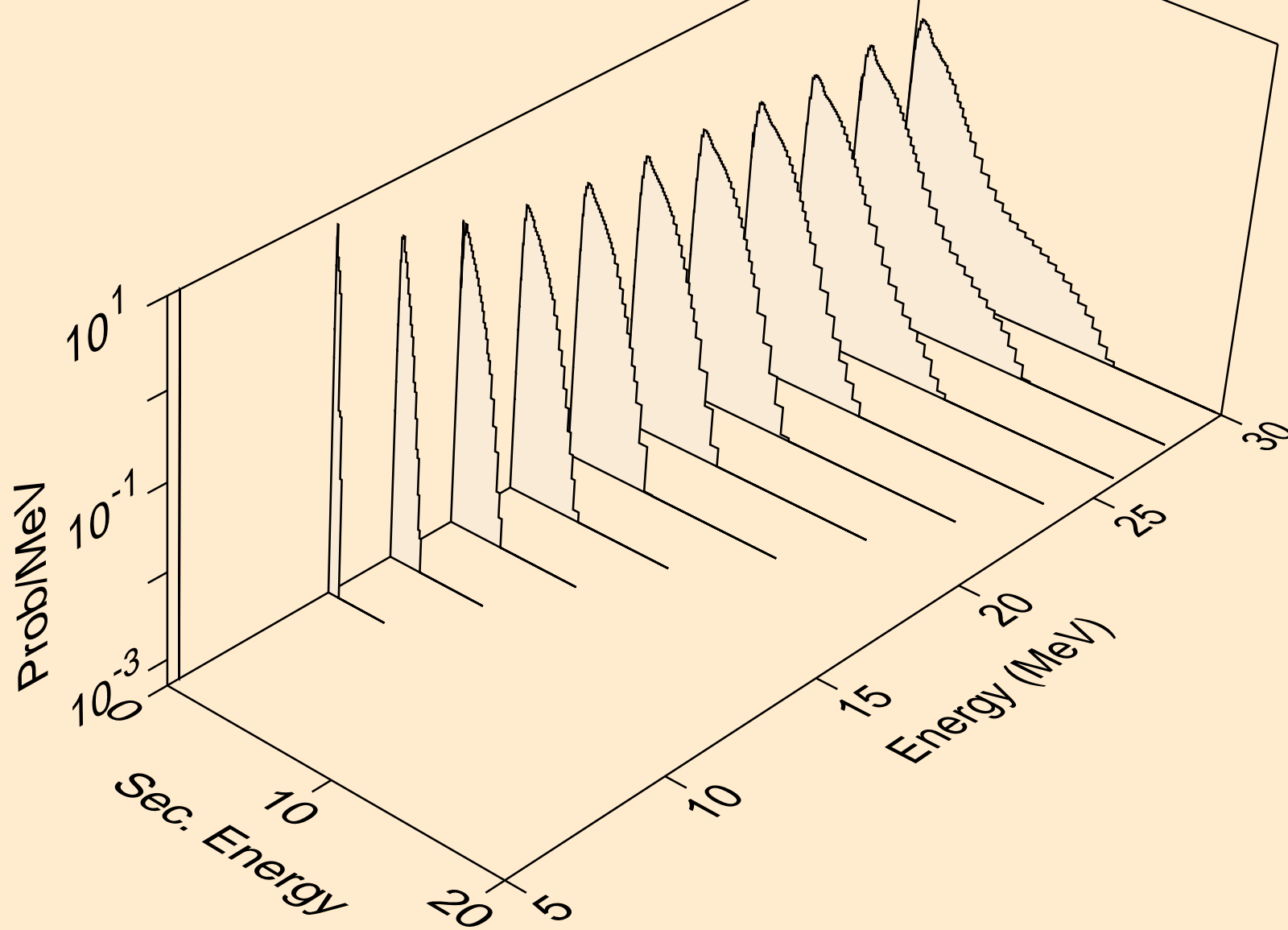




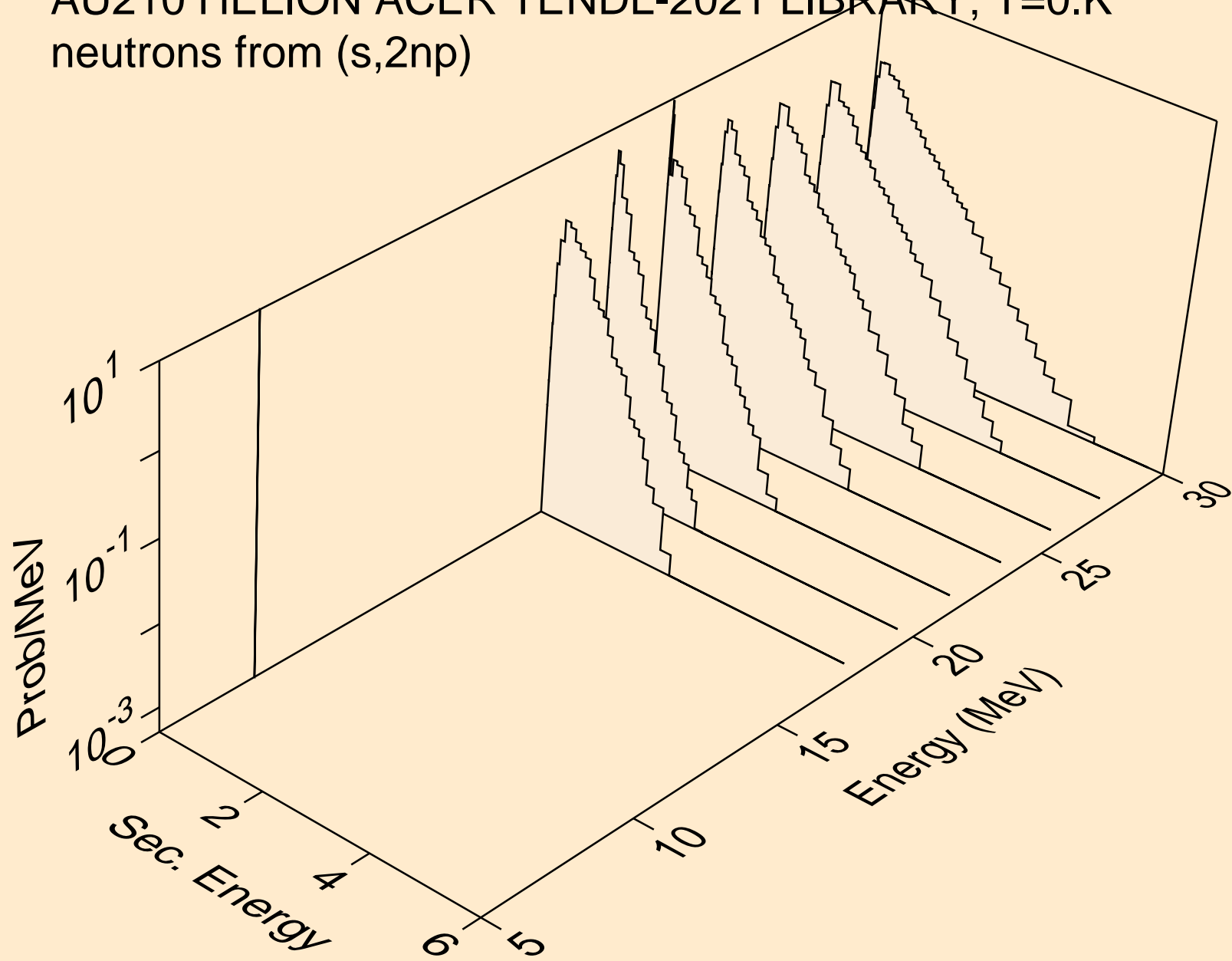
AU210 HELION ACER TENDL-2021 LIBRARY; T=0.K  
neutrons from (s,2np)



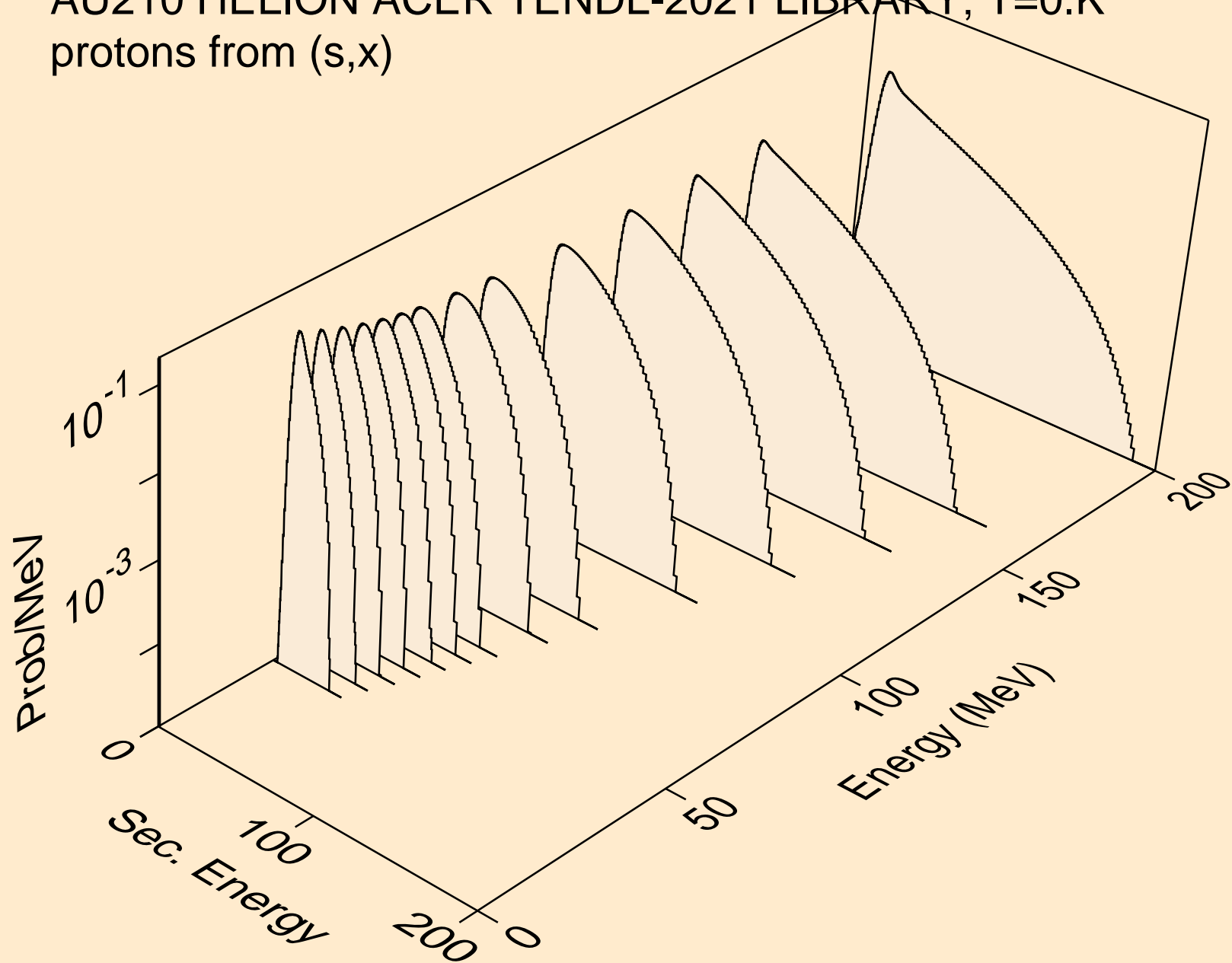
AU210 HELION ACER TENDL-2021 LIBRARY; T=0.K  
neutrons from (s,3np)



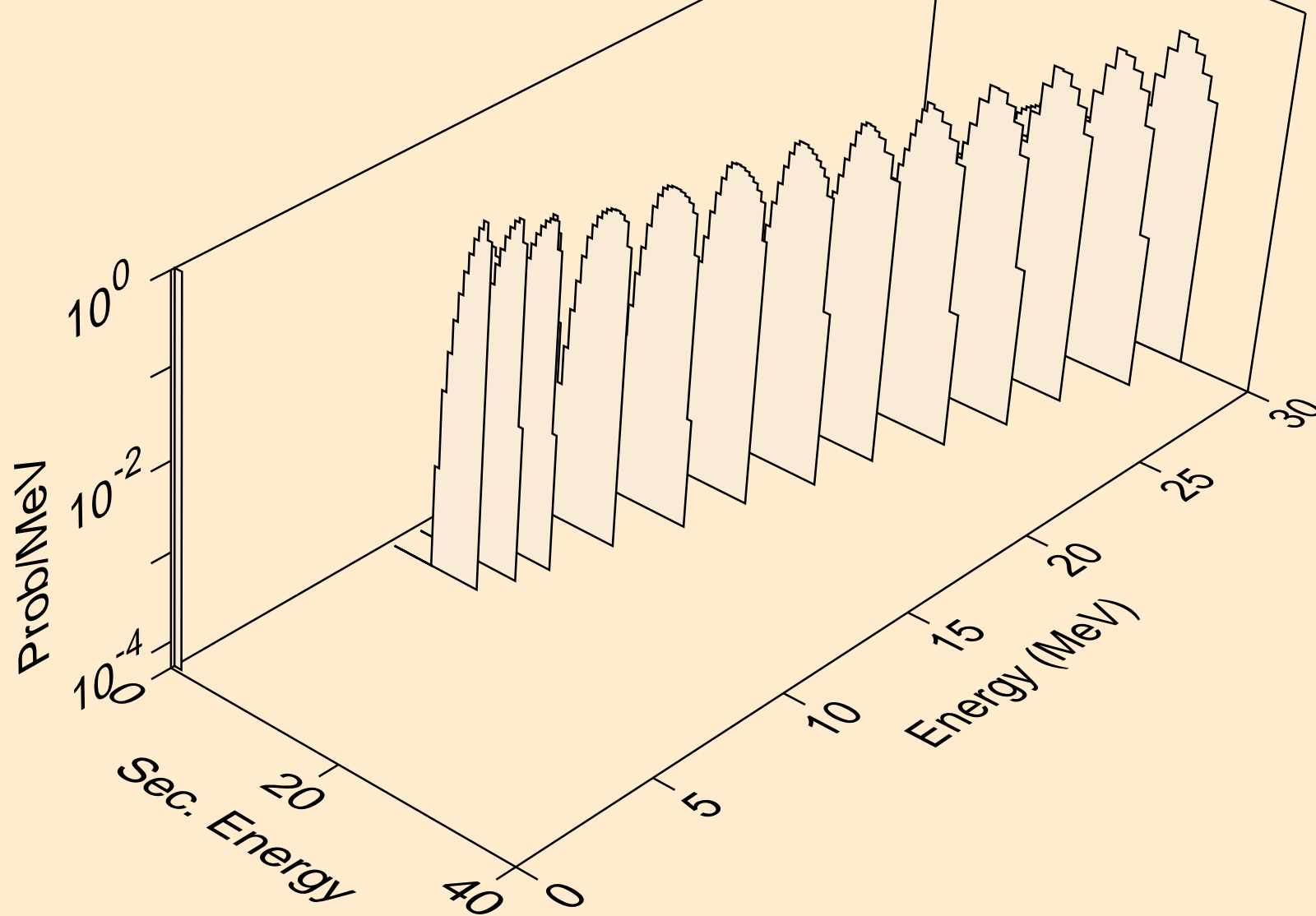
AU210 HELION ACER TENDL-2021 LIBRARY; T=0.K  
neutrons from (s,2np)



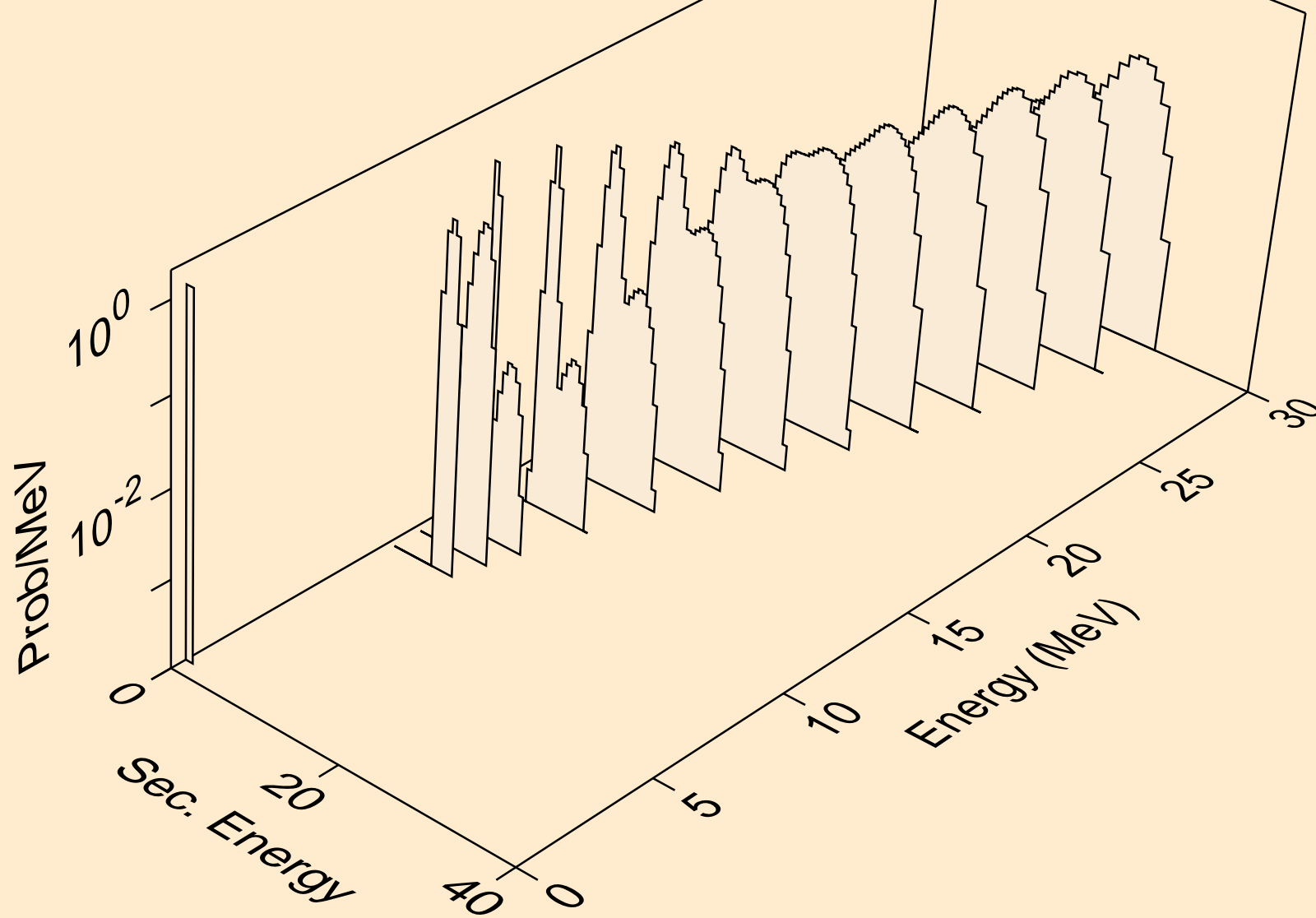
AU210 HELION ACER TENDL-2021 LIBRARY; T=0.K  
protons from (s,x)



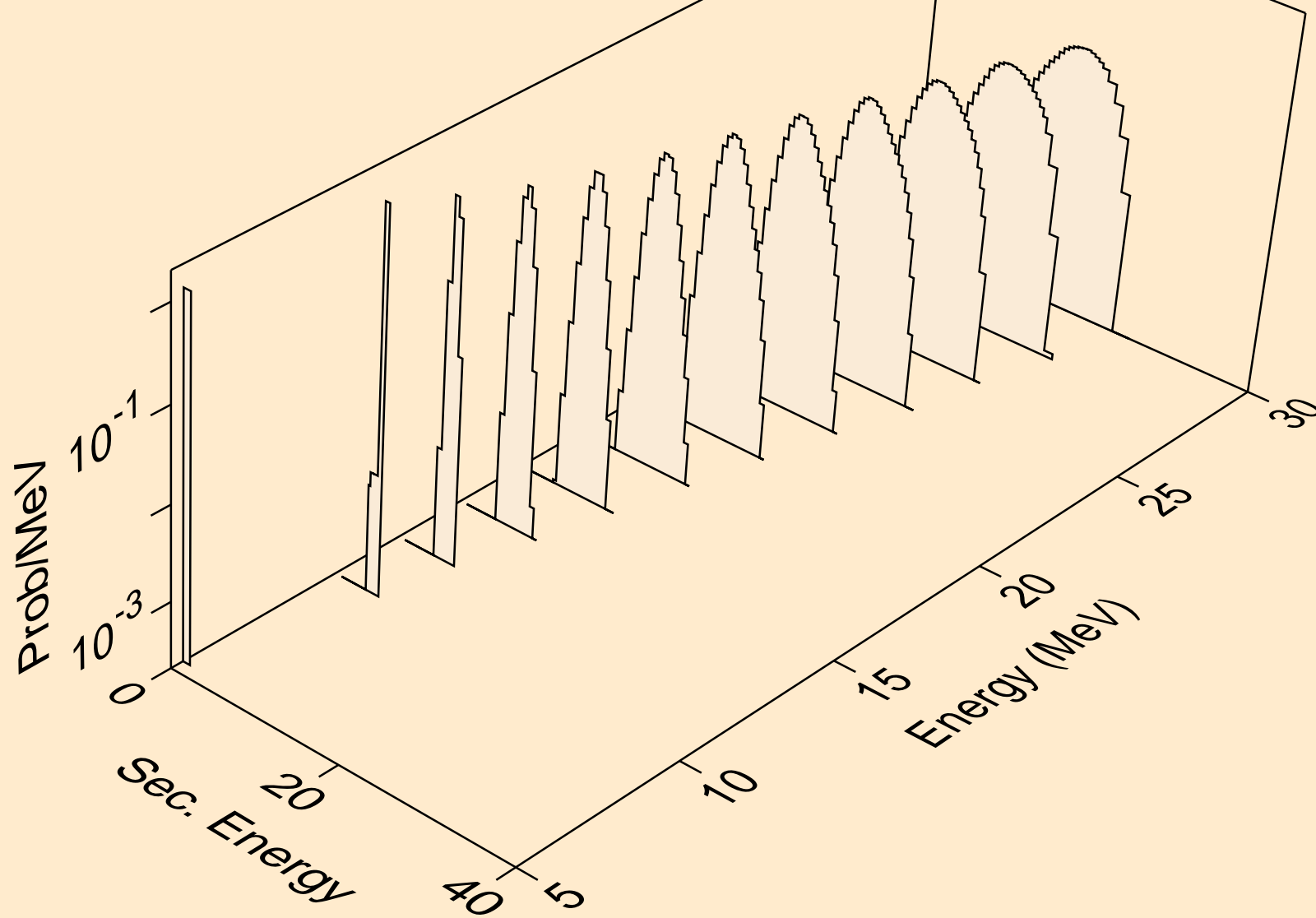
AU210 HELION ACER TENDL-2021 LIBRARY; T=0.K  
protons from (s,n\*)p



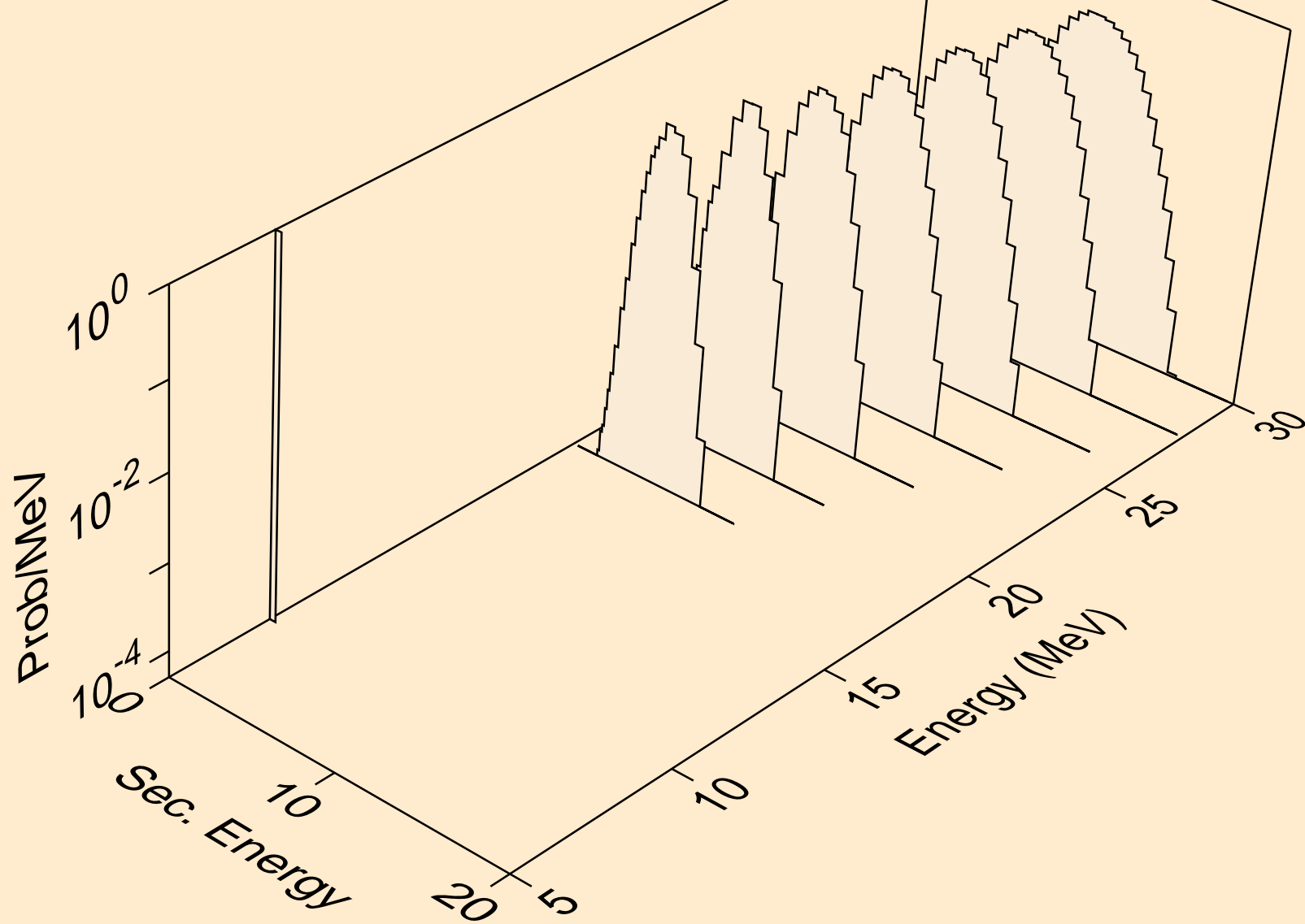
AU210 HELION ACER TENDL-2021 LIBRARY; T=0.K  
protons from (s,2np)



AU210 HELION ACER TENDL-2021 LIBRARY; T=0.K  
protons from (s,3np)

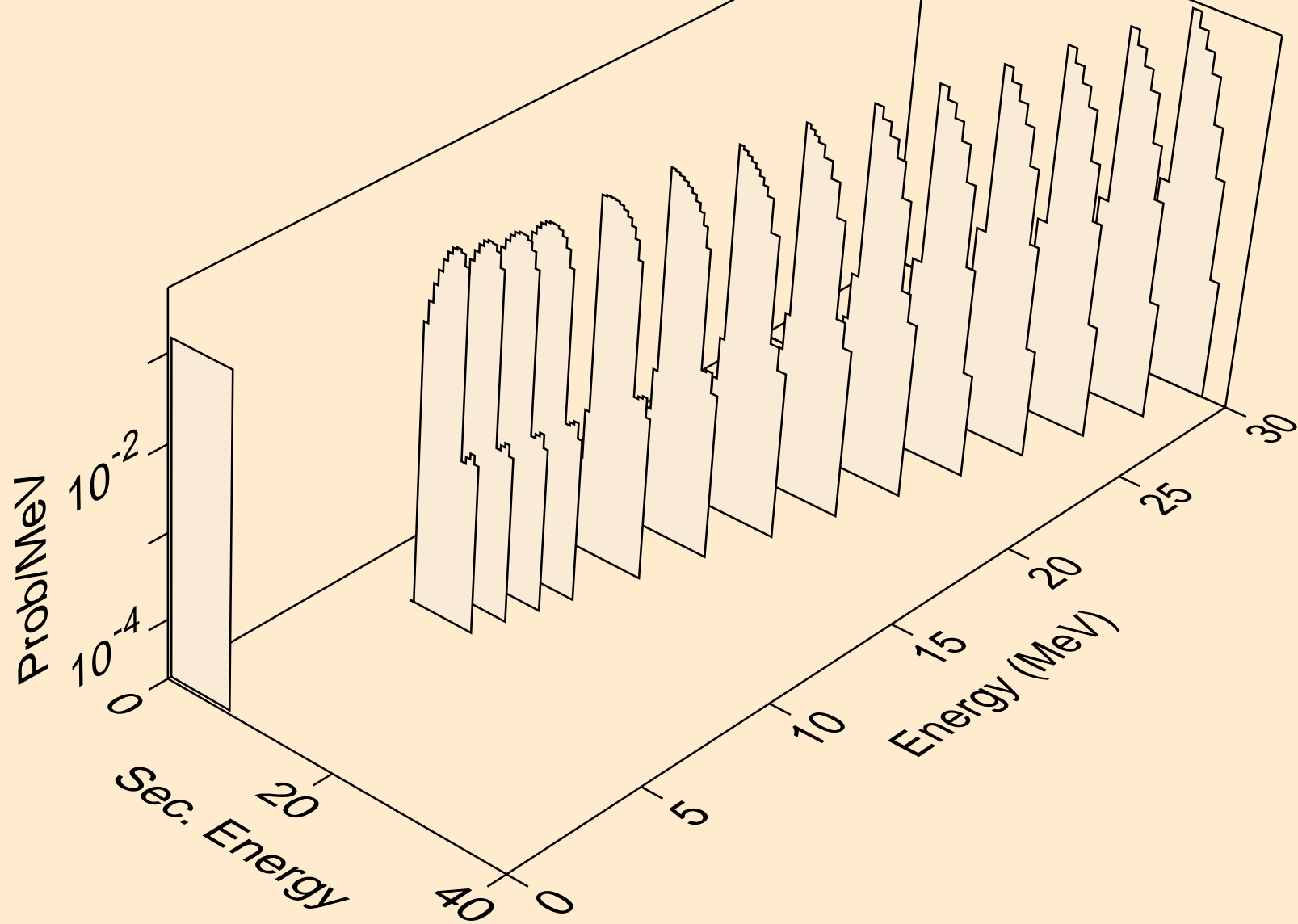


AU210 HELION ACER TENDL-2021 LIBRARY; T=0.K  
protons from (s,2np)

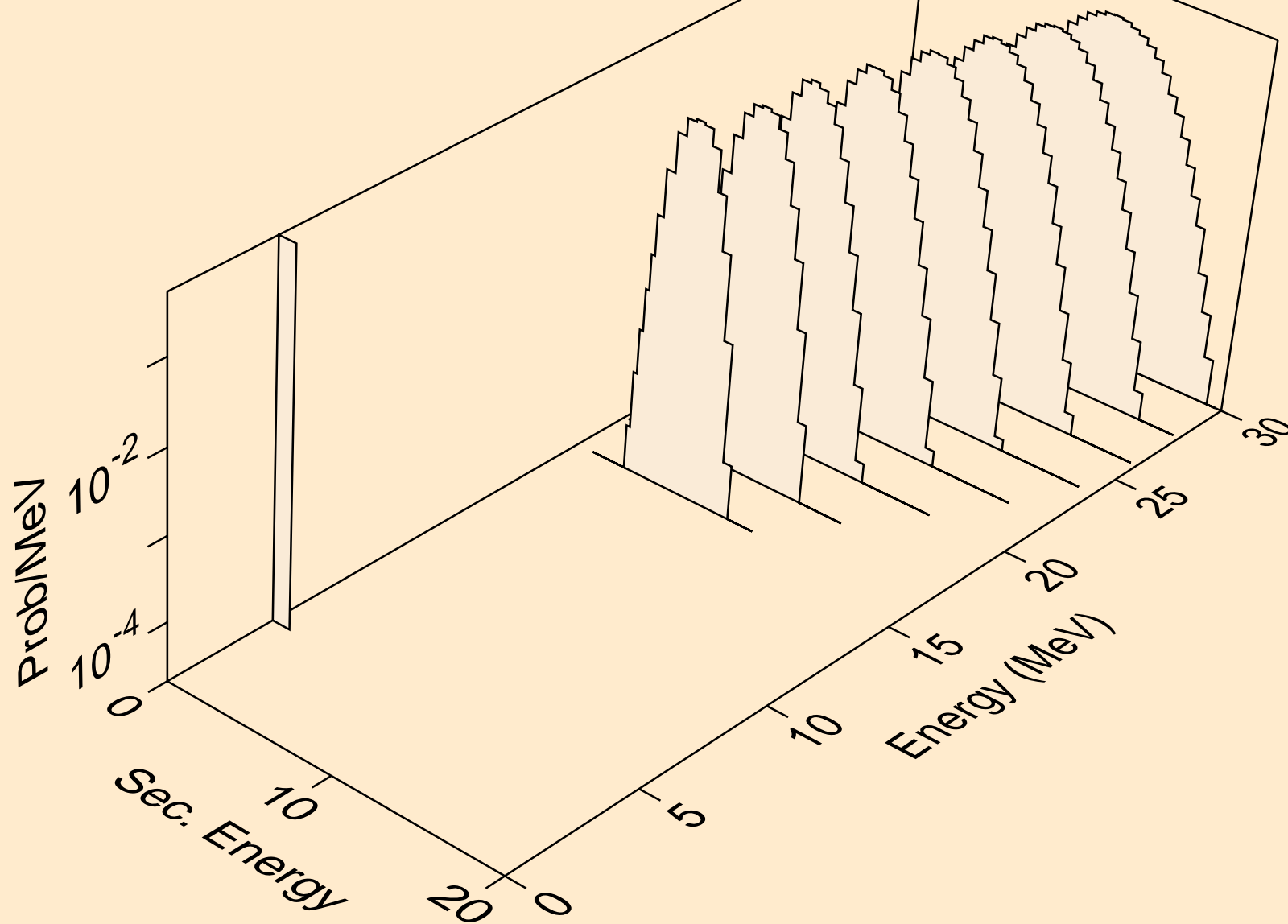




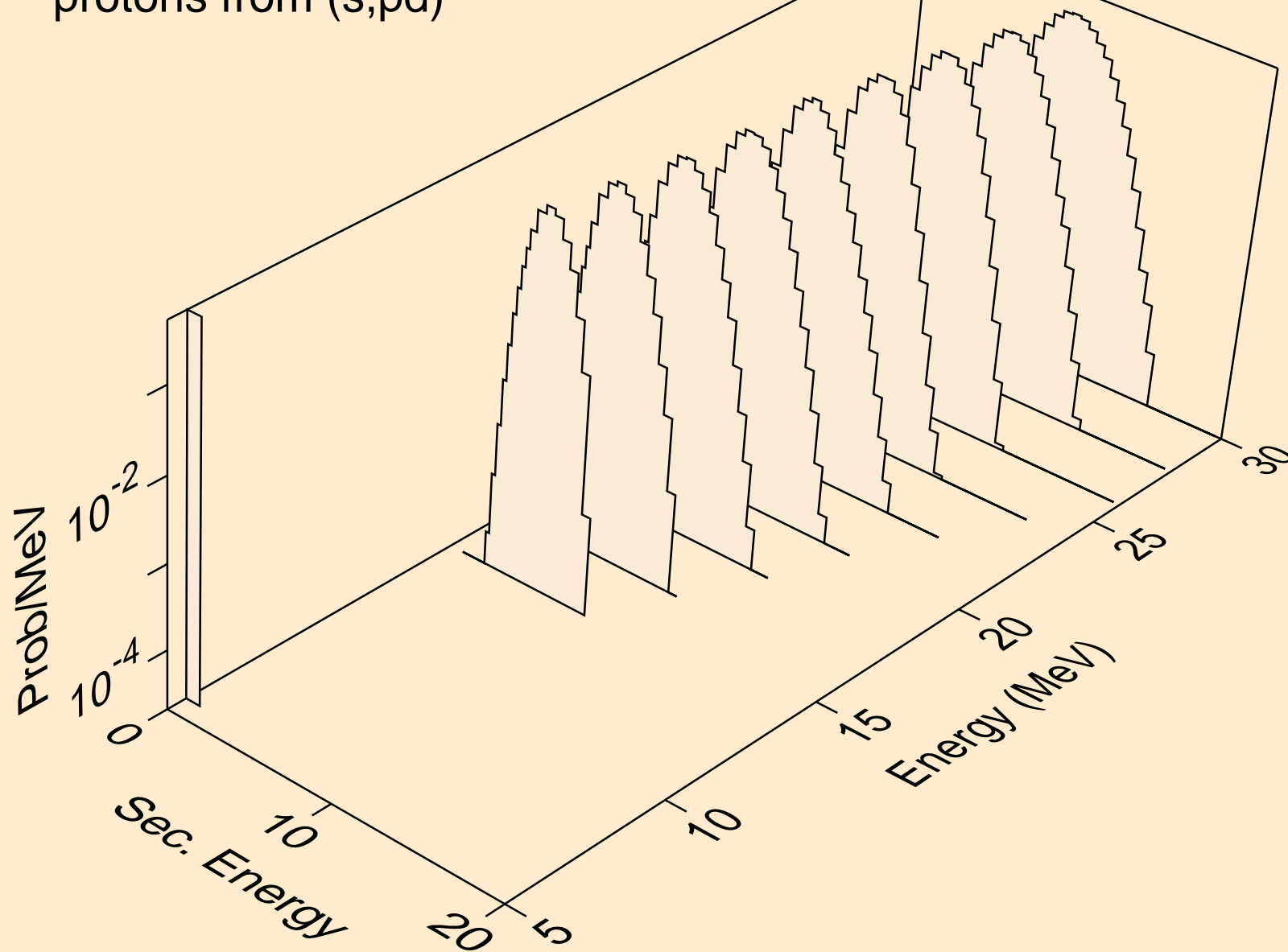
AU210 HELION ACER TENDL-2021 LIBRARY; T=0.K  
protons from (s,p)



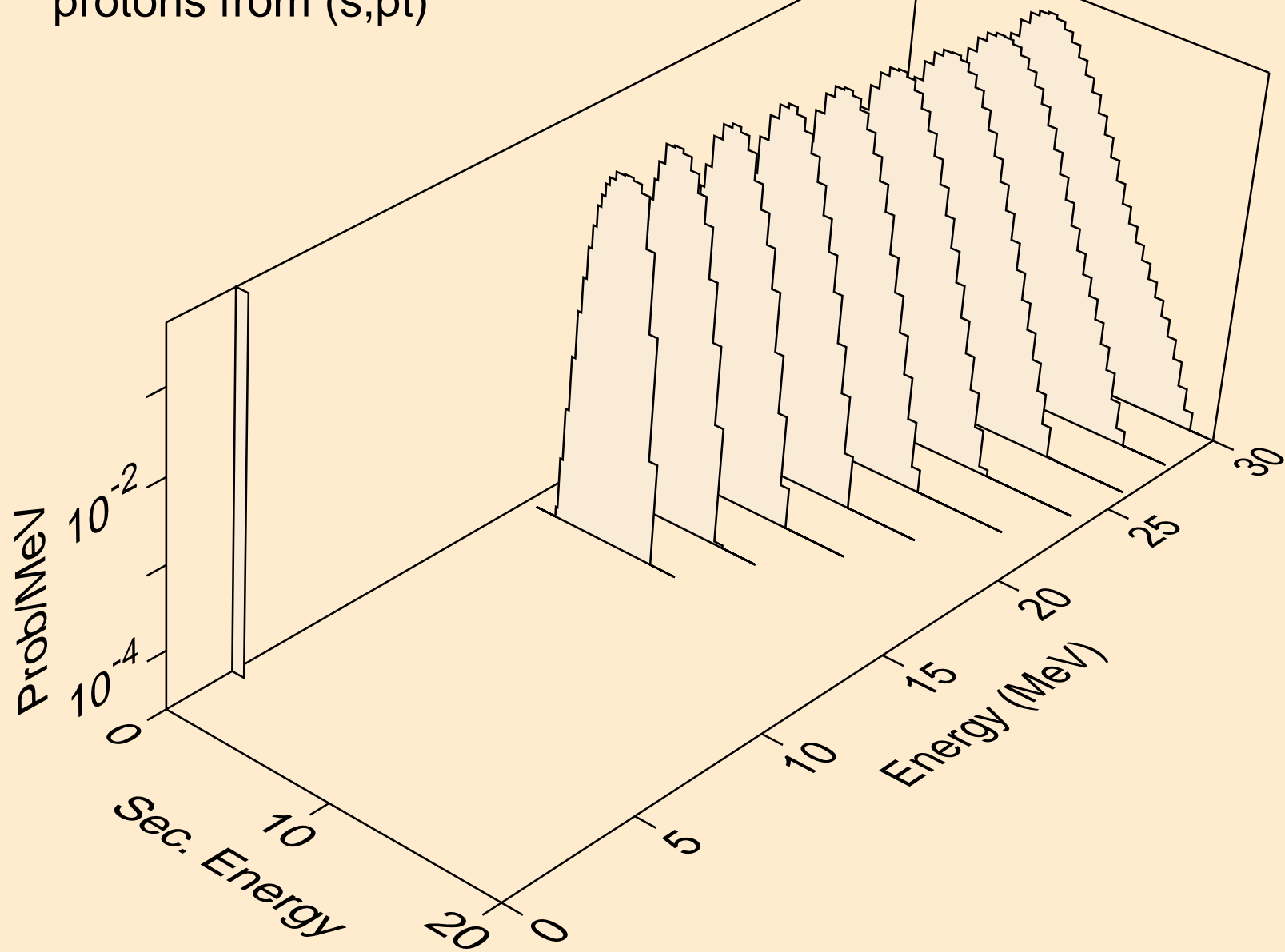
AU210 HELION ACER TENDL-2021 LIBRARY; T=0.K  
protons from (s,2p)



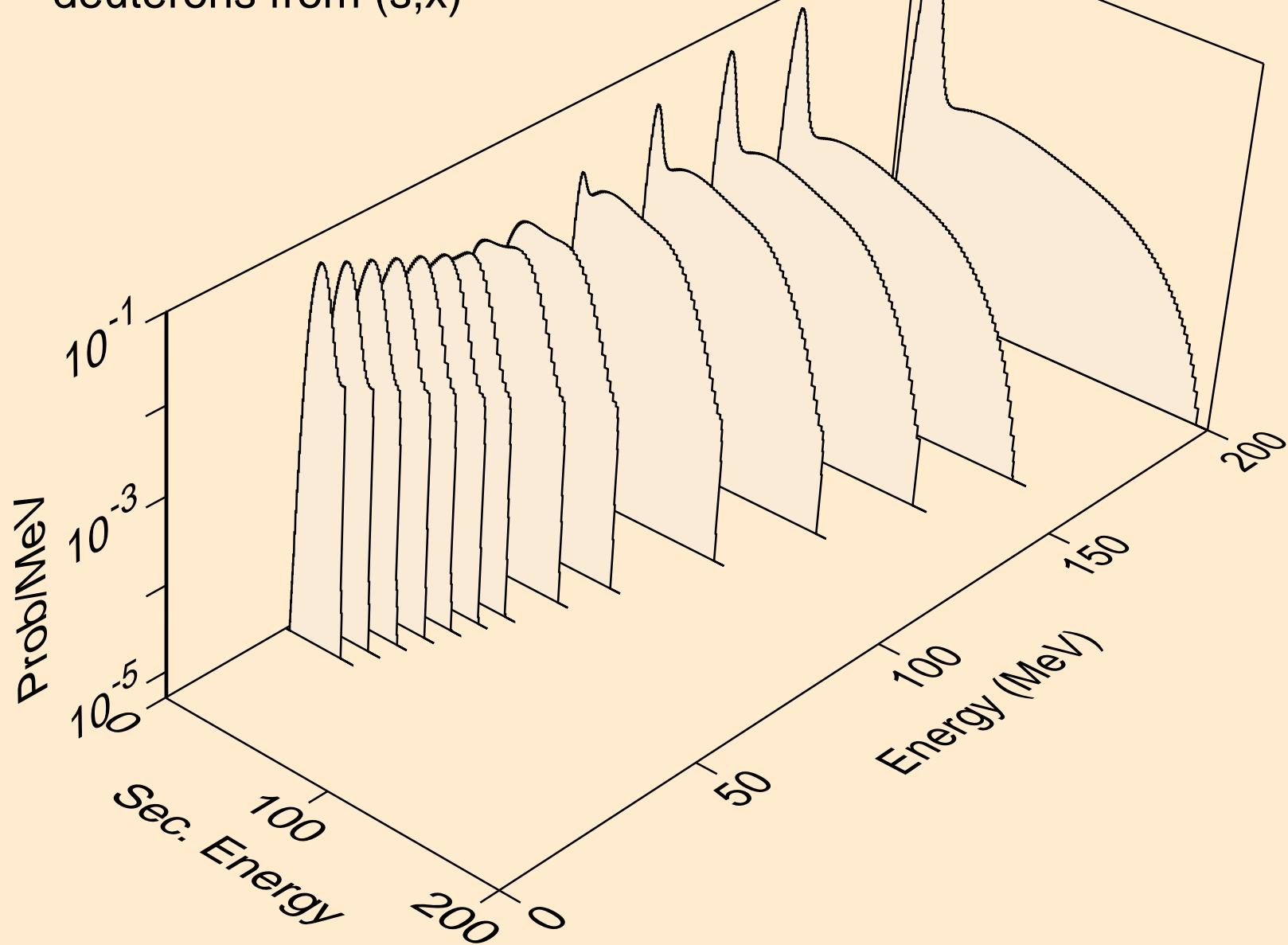
AU210 HELION ACER TENDL-2021 LIBRARY; T=0.K  
protons from (s,pd)



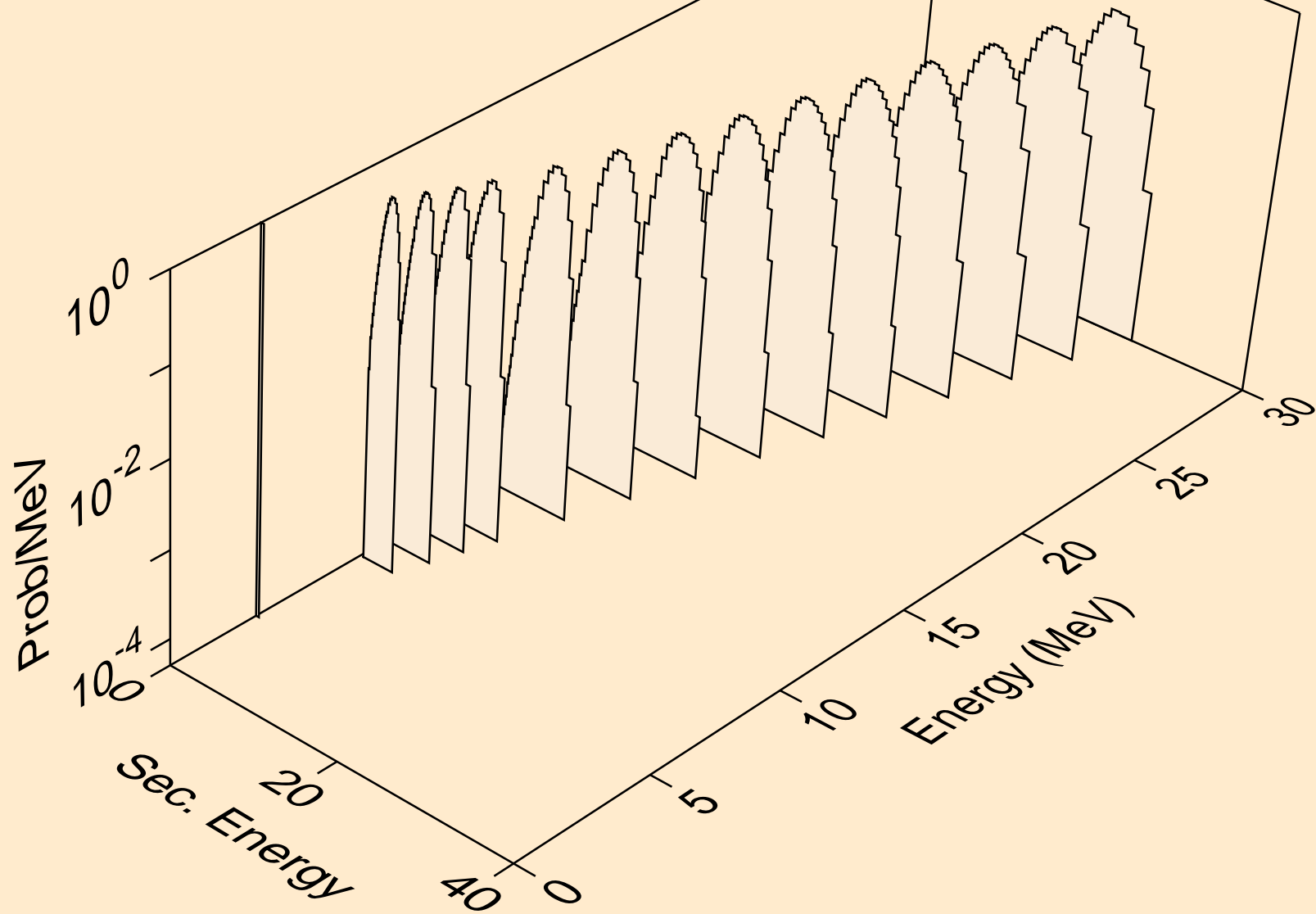
AU210 HELION ACER TENDL-2021 LIBRARY; T=0.K  
protons from (s,pt)



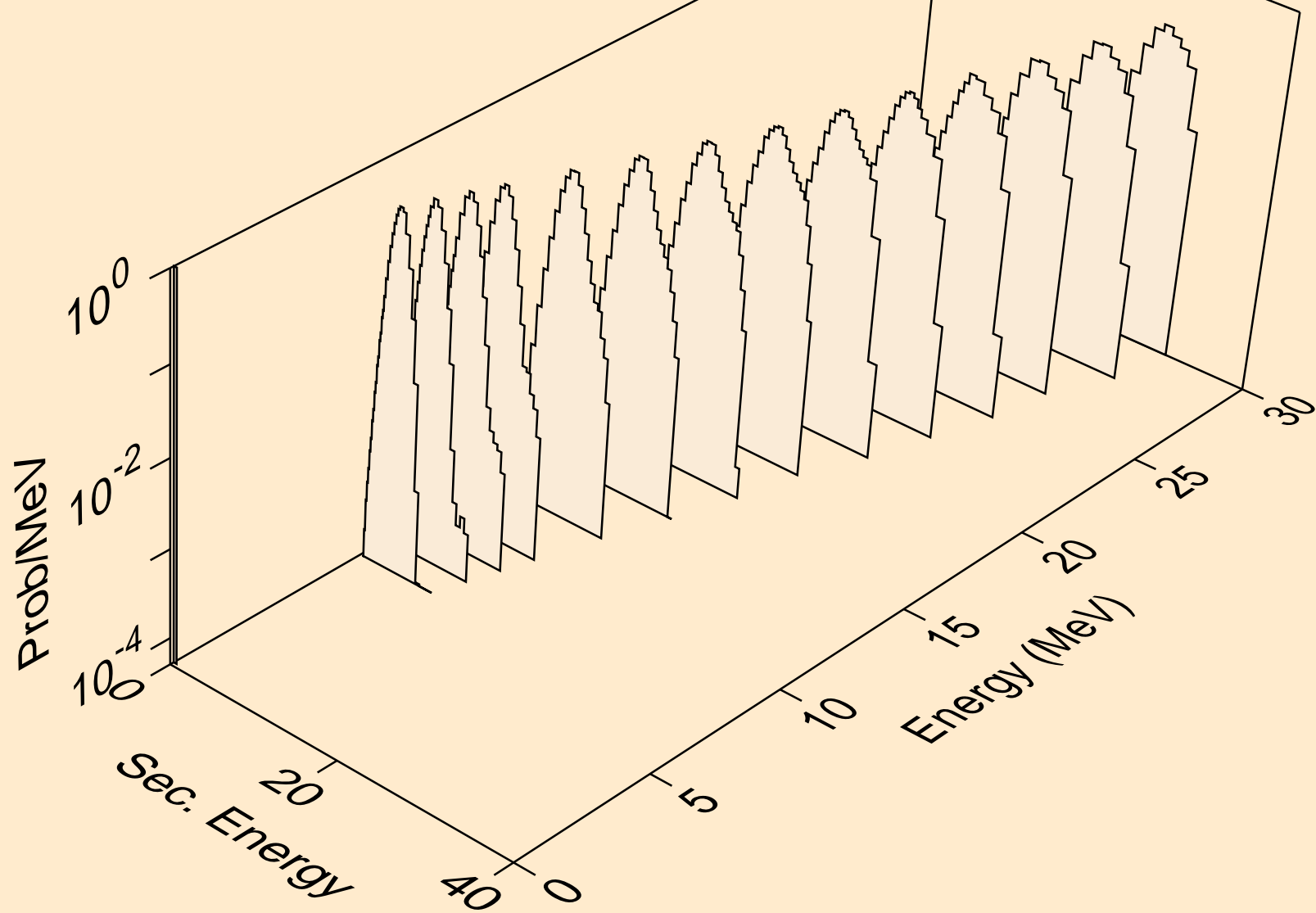
AU210 HELION ACER TENDL-2021 LIBRARY; T=0.K  
deuterons from (s,x)



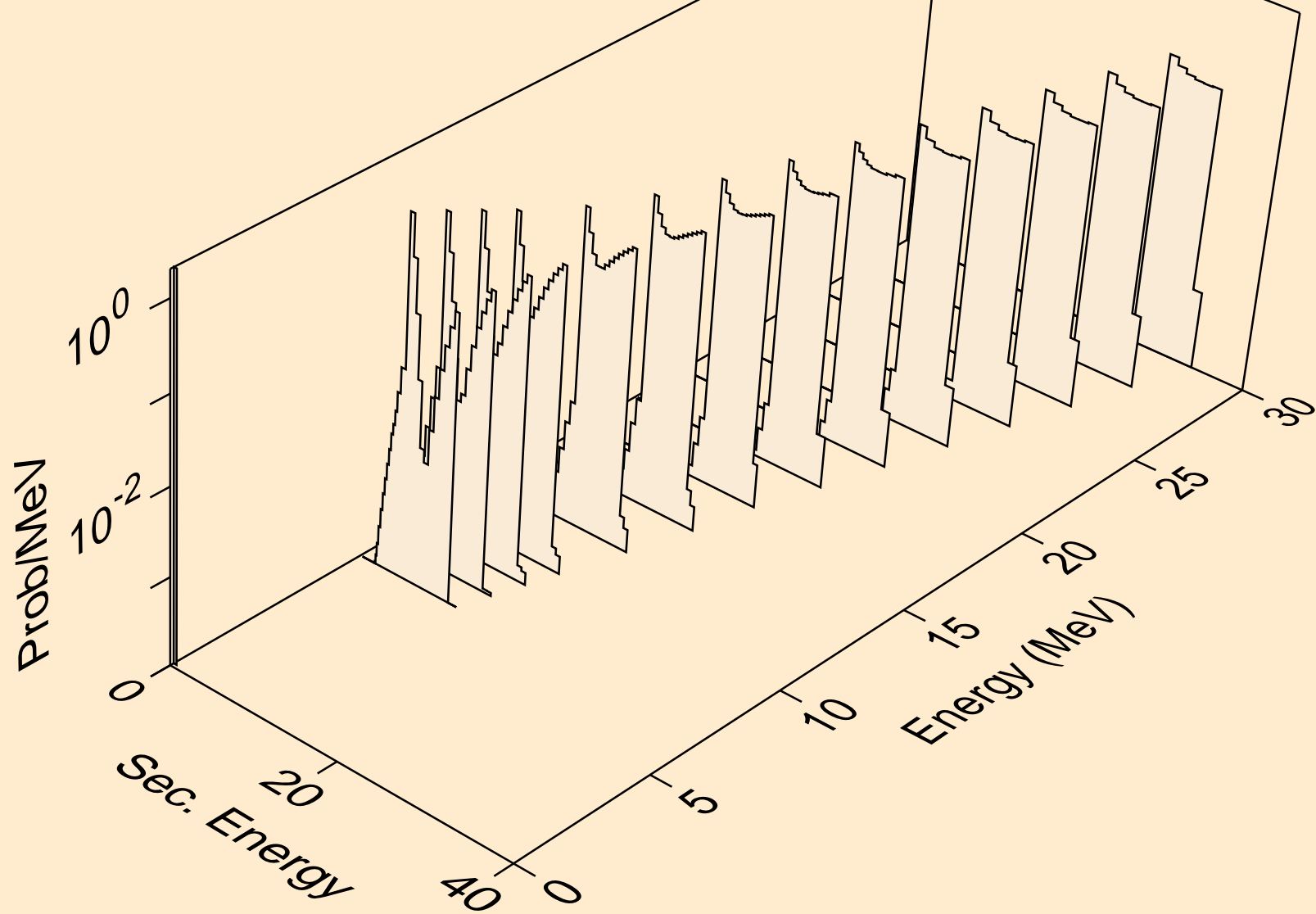
AU210 HELION ACER TENDL-2021 LIBRARY; T=0.K  
deuterons from (s,2nd)



AU210 HELION ACER TENDL-2021 LIBRARY; T=0.K  
deuterons from (s,n\*)d

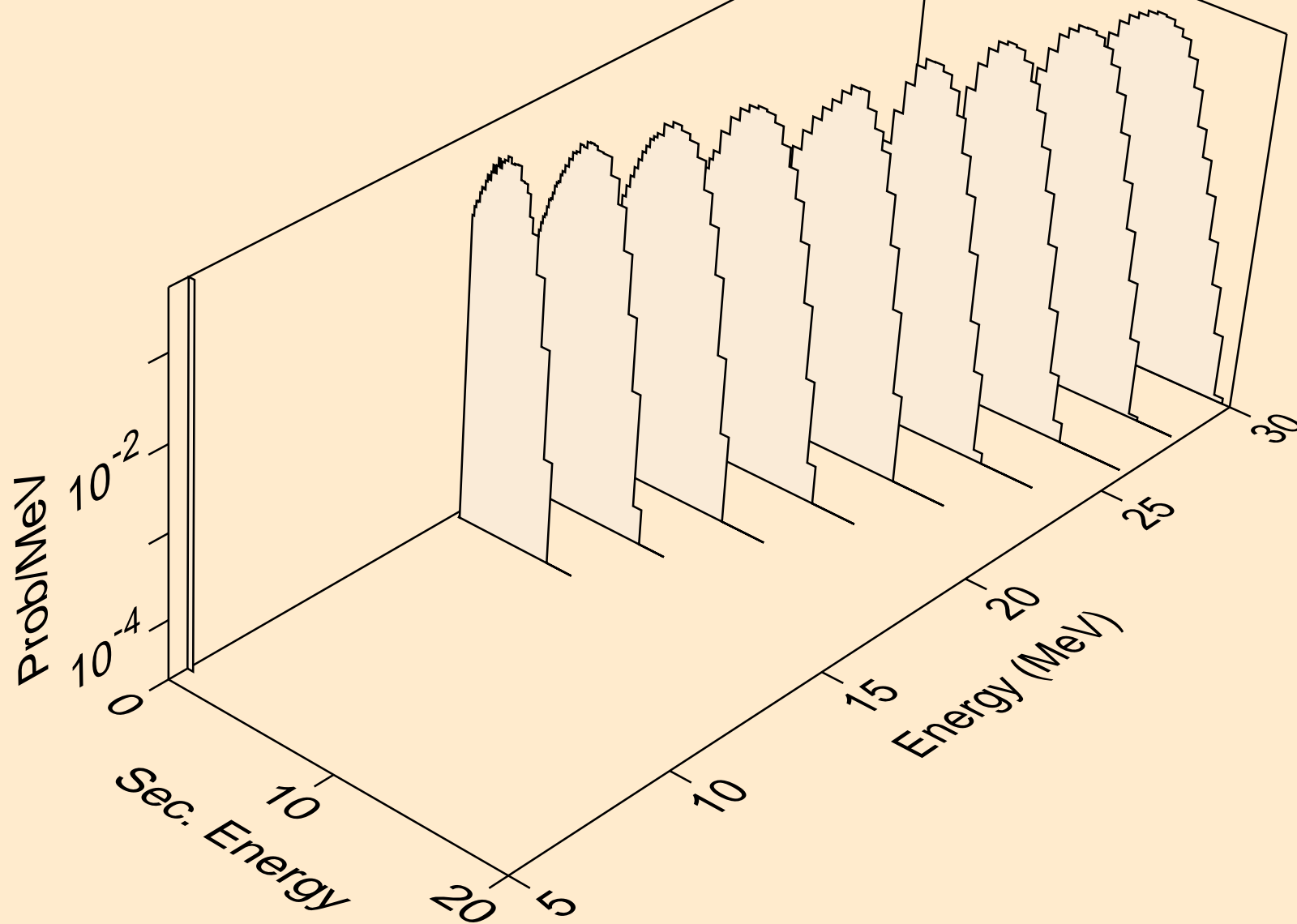


AU210 HELION ACER TENDL-2021 LIBRARY; T=0.K  
deuterons from (s,d)

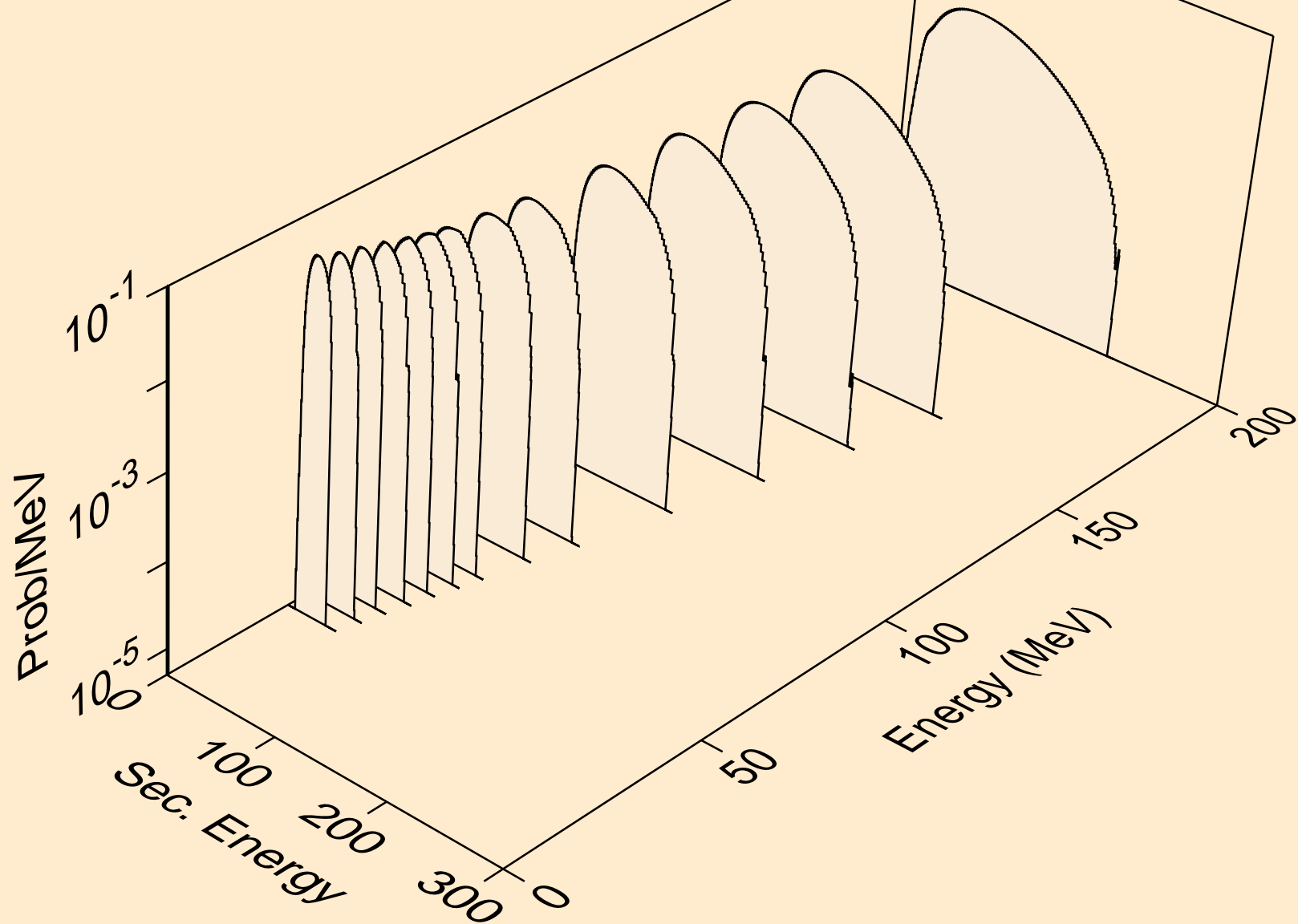




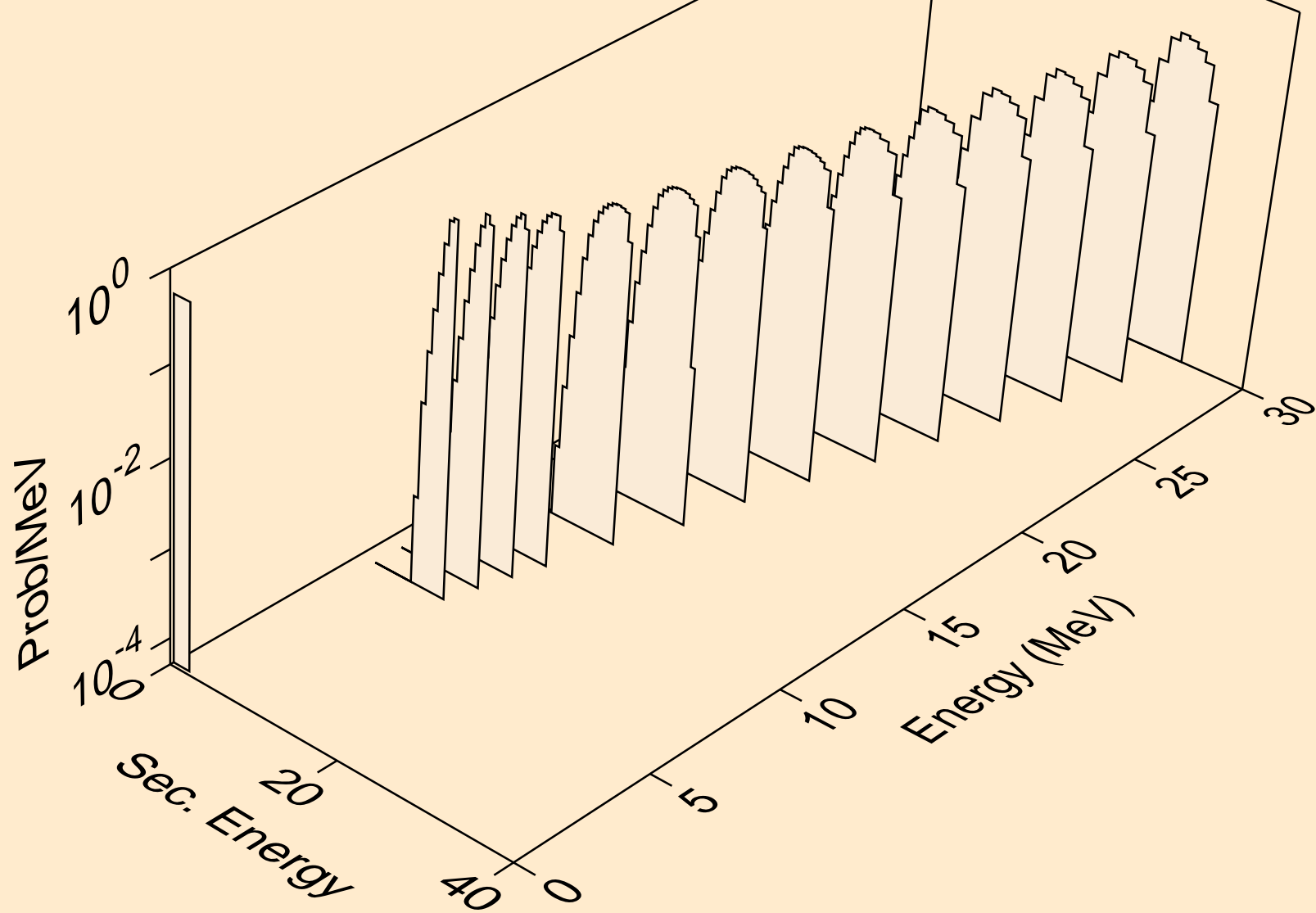
AU210 HELION ACER TENDL-2021 LIBRARY; T=0.K  
deuterons from (s,pd)



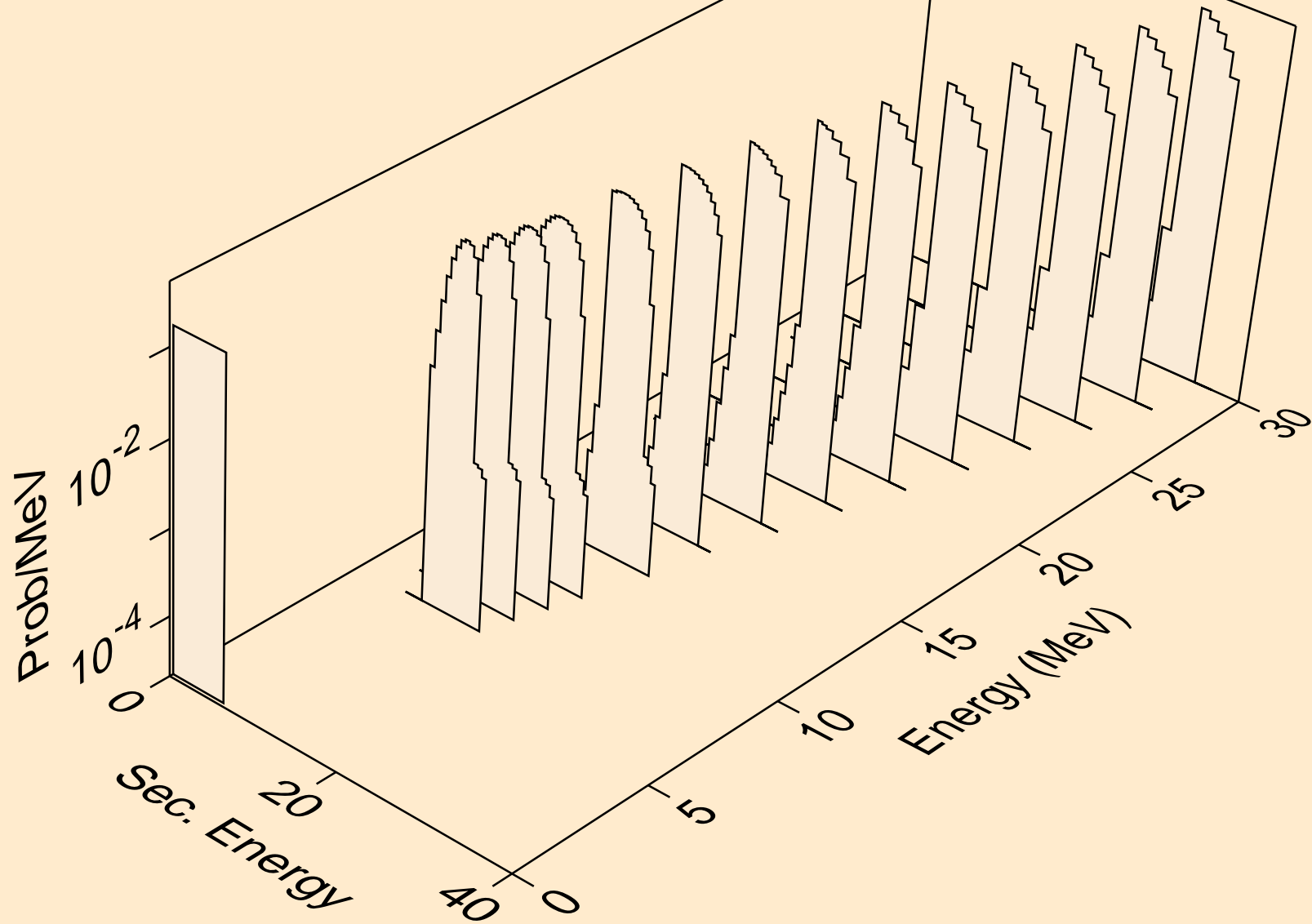
AU210 HELION ACER TENDL-2021 LIBRARY; T=0.K  
tritons from (s,x)



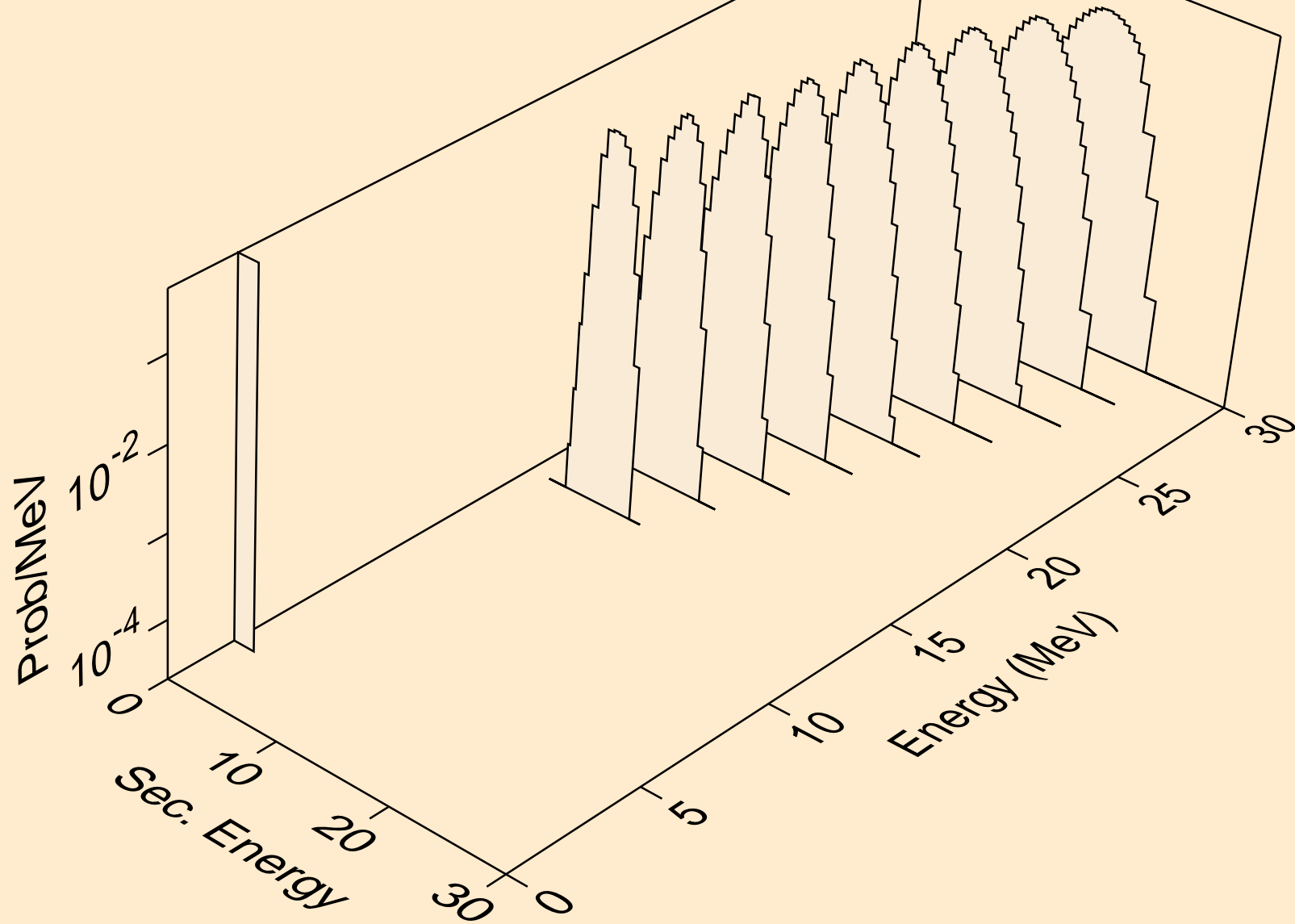
AU210 HELION ACER TENDL-2021 LIBRARY; T=0.K  
tritons from (s,n\*)t



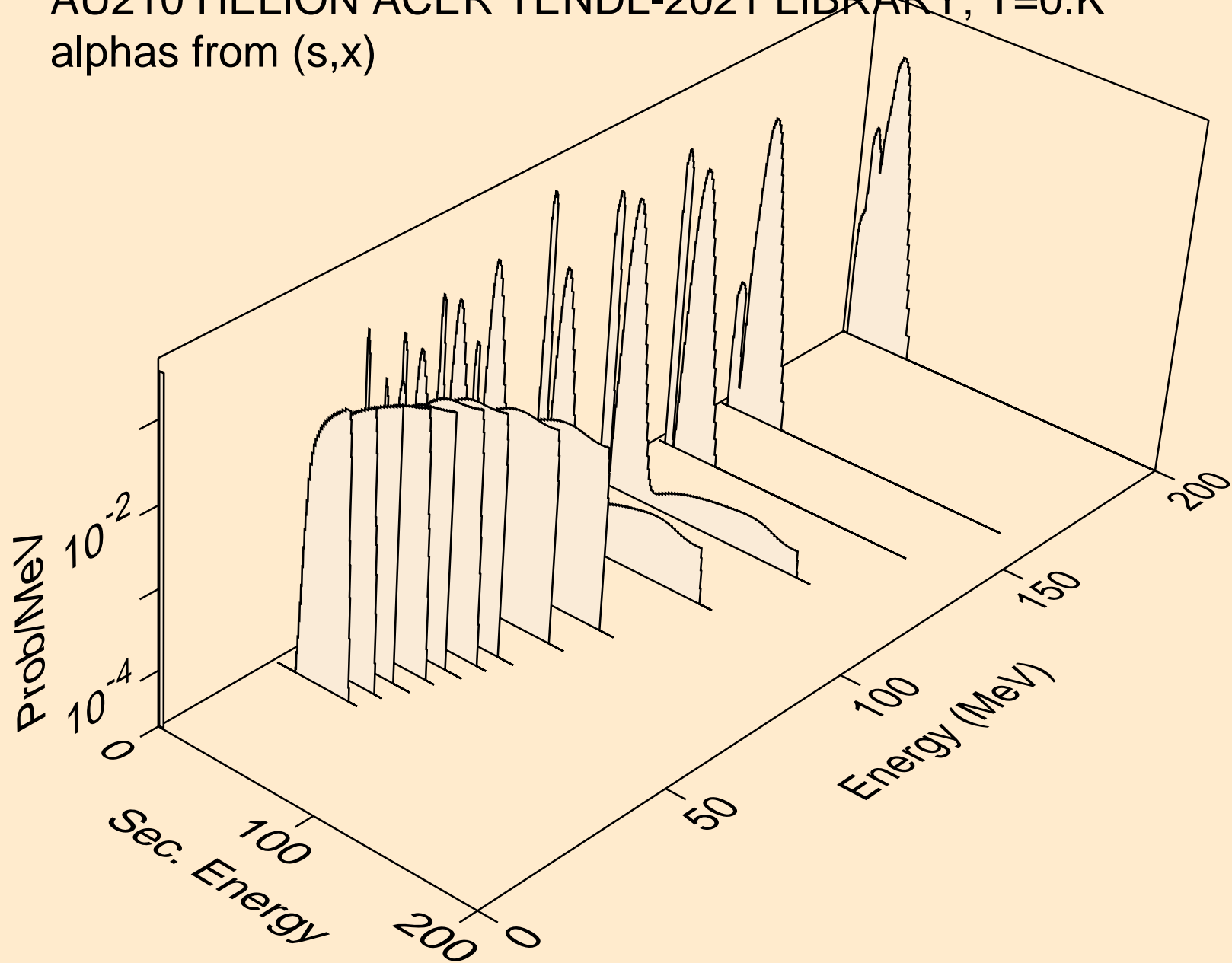
AU210 HELION ACER TENDL-2021 LIBRARY; T=0.K  
tritons from (s,t)



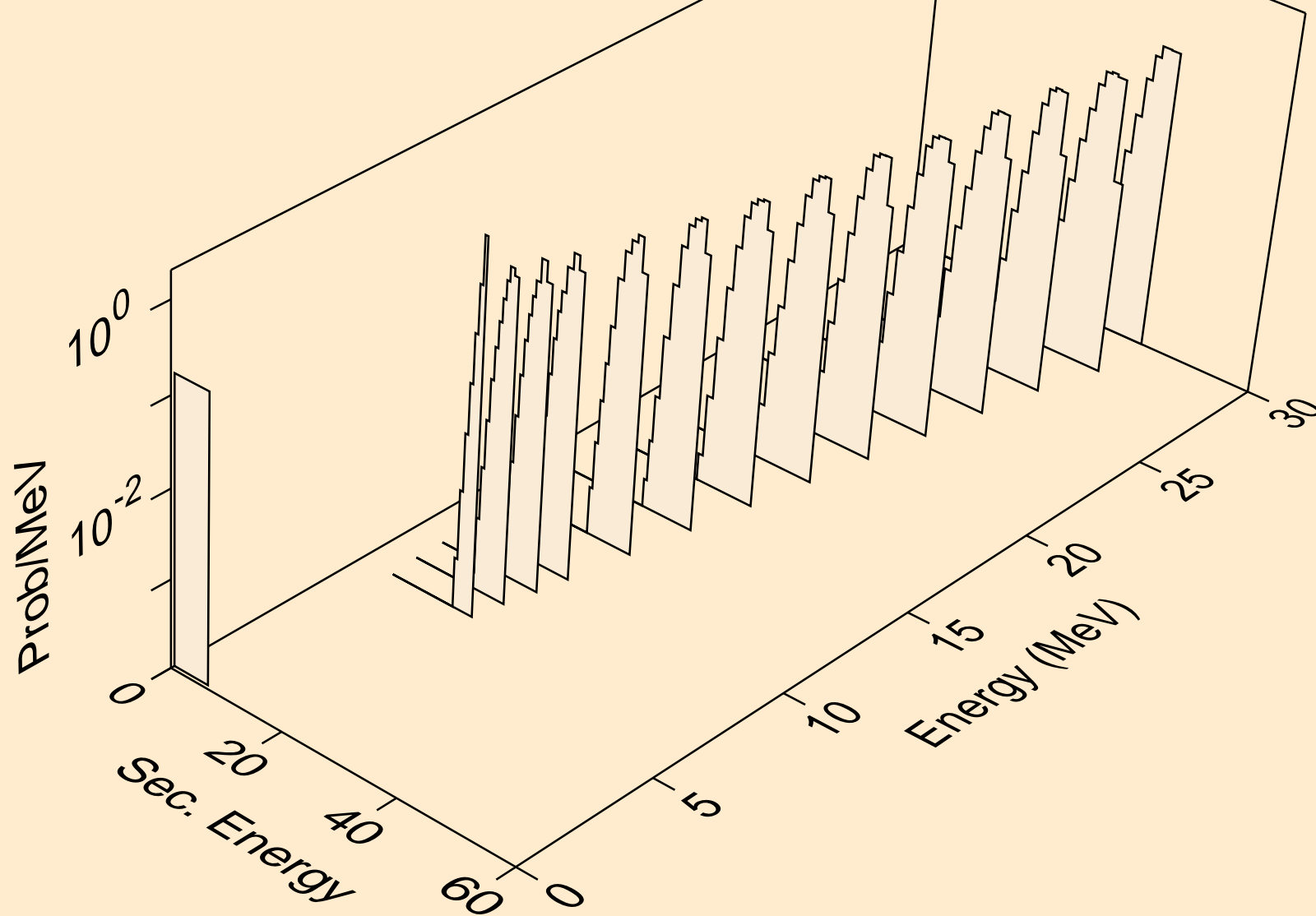
AU210 HELION ACER TENDL-2021 LIBRARY; T=0.K  
tritons from (s,pt)



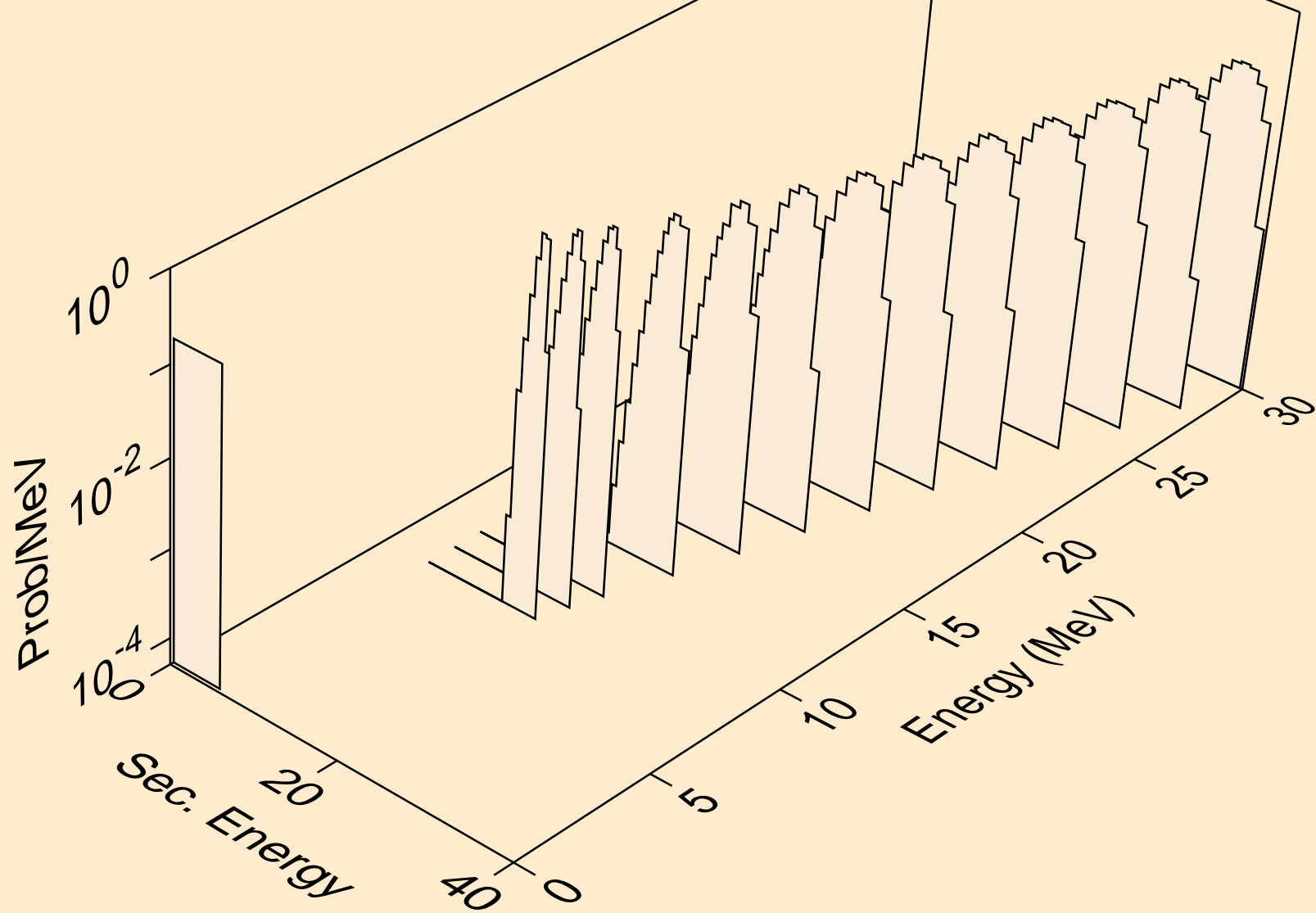
AU210 HELION ACER TENDL-2021 LIBRARY; T=0.K  
alphas from (s,x)



AU210 HELION ACER TENDL-2021 LIBRARY; T=0.K  
alphas from (s,n\*)a

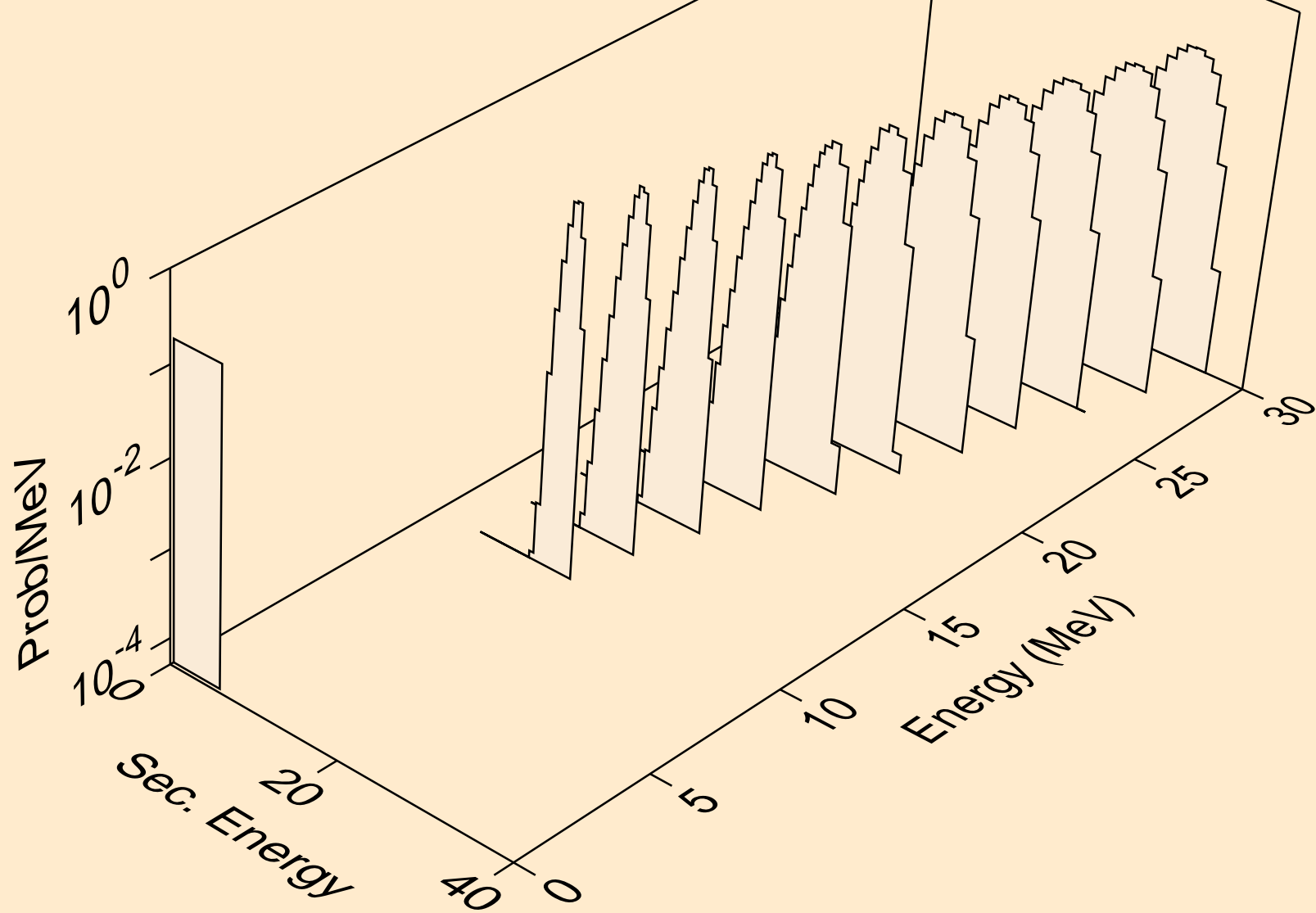


AU210 HELION ACER TENDL-2021 LIBRARY; T=0.K  
alphas from (s,2n)a





AU210 HELION ACER TENDL-2021 LIBRARY; T=0.K  
alphas from (s,3n)a



AU210 HELION ACER TENDL-2021 LIBRARY; T=0.K  
alphas from (s,a)

