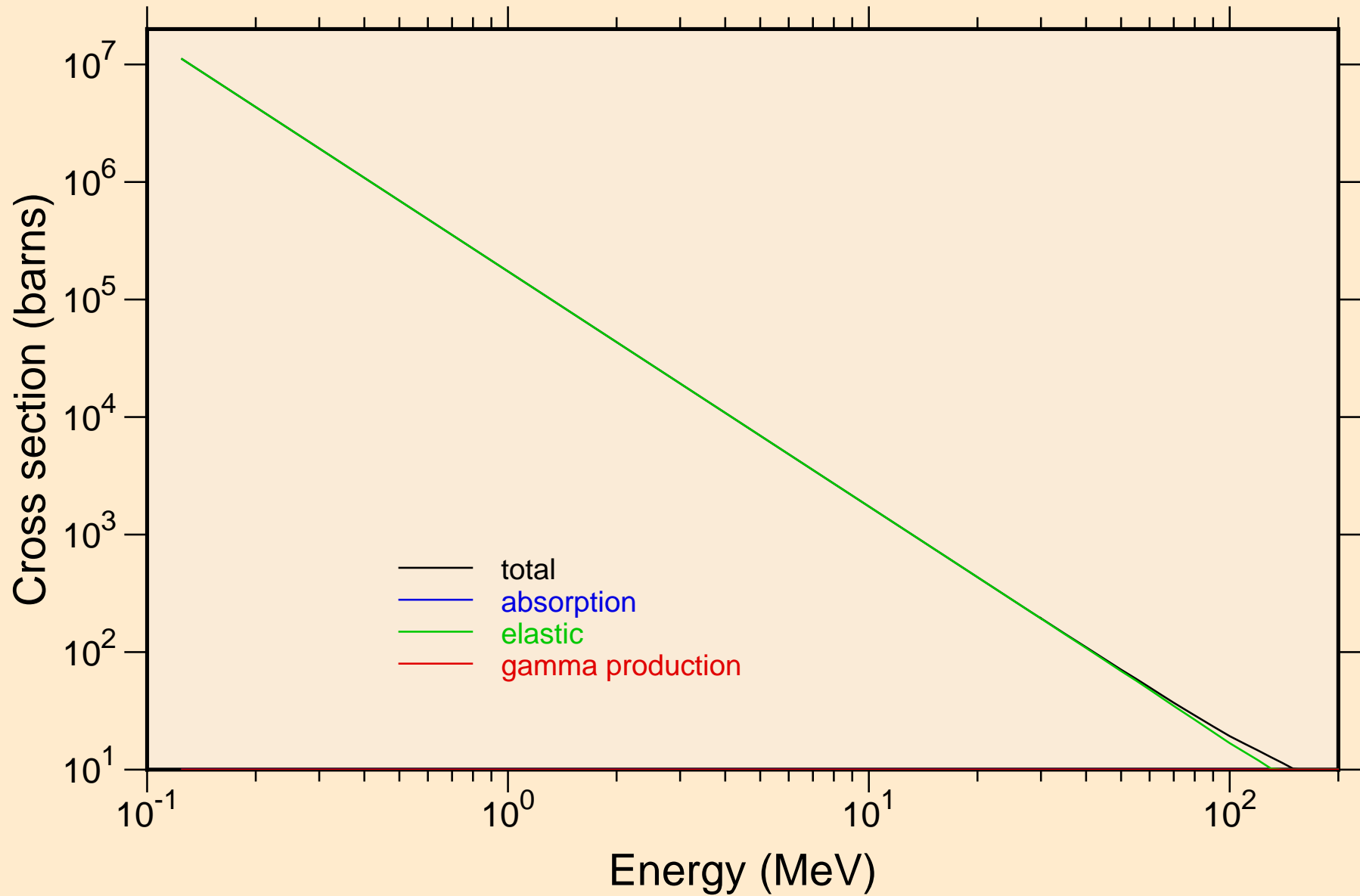
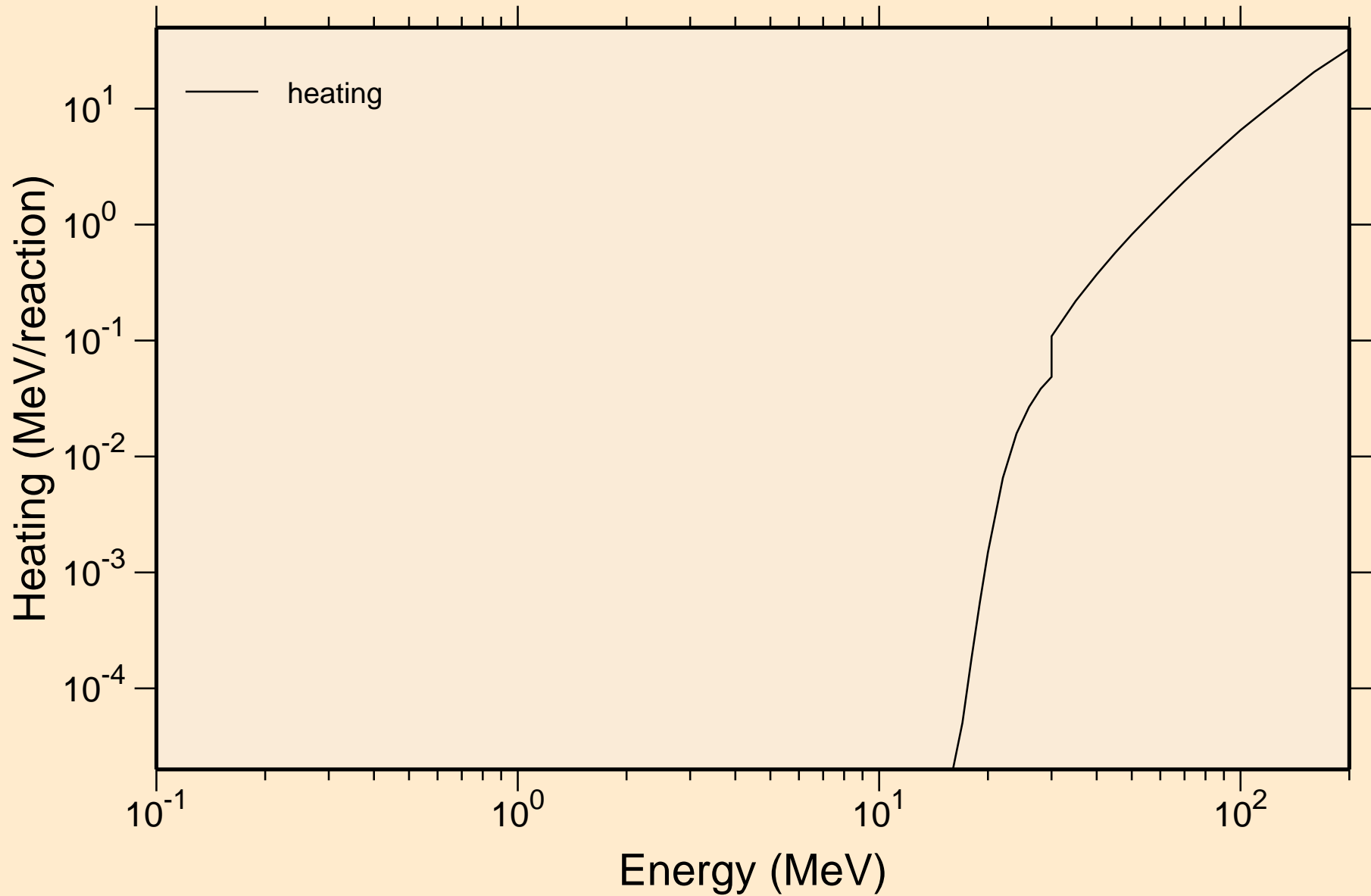


BI223 HELION ACER TENDL-2021 LIBRARY; T=0.K  
Principal cross sections



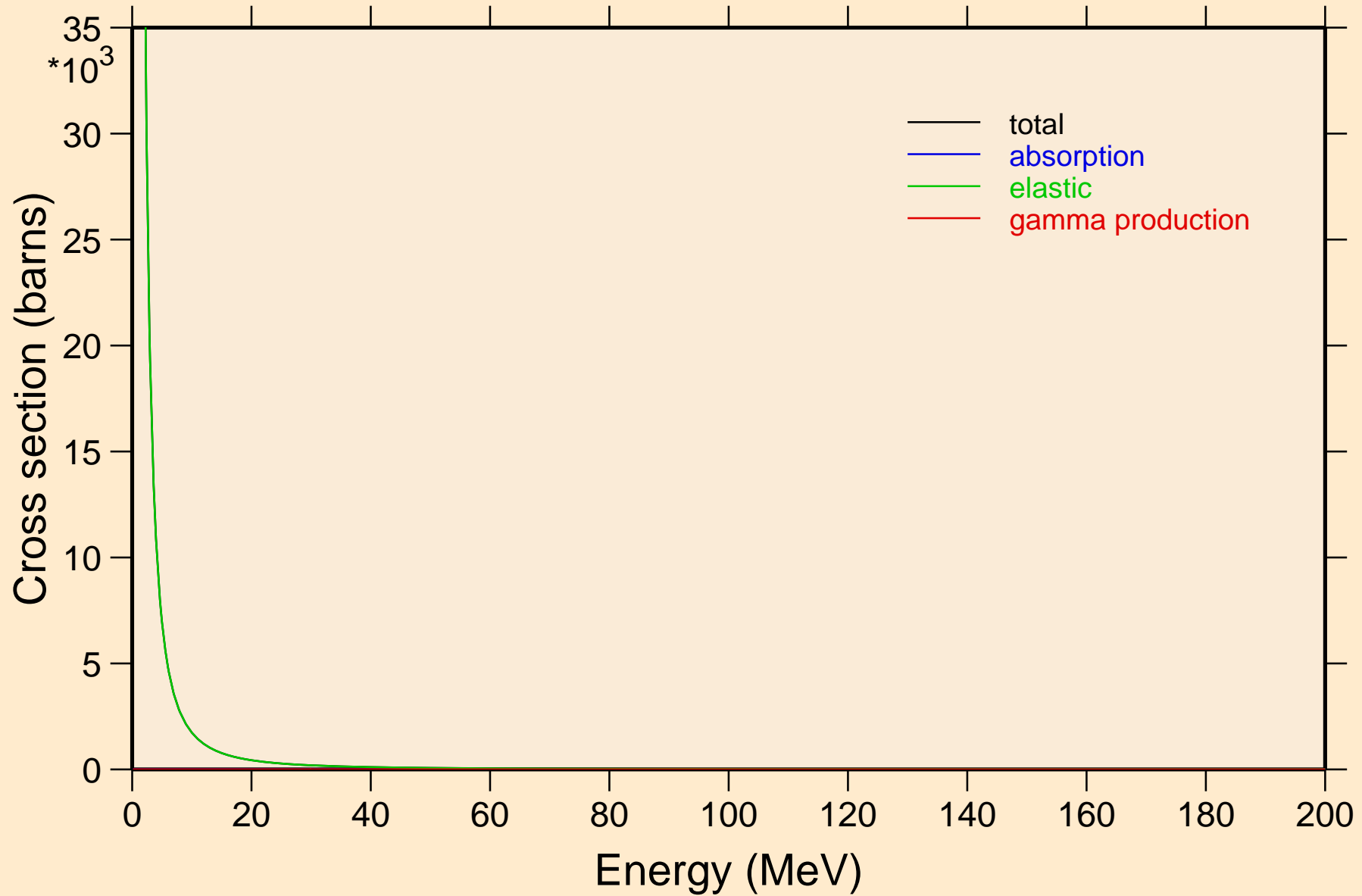
BI223 HELION ACER TENDL-2021 LIBRARY; T=0.K

Heating



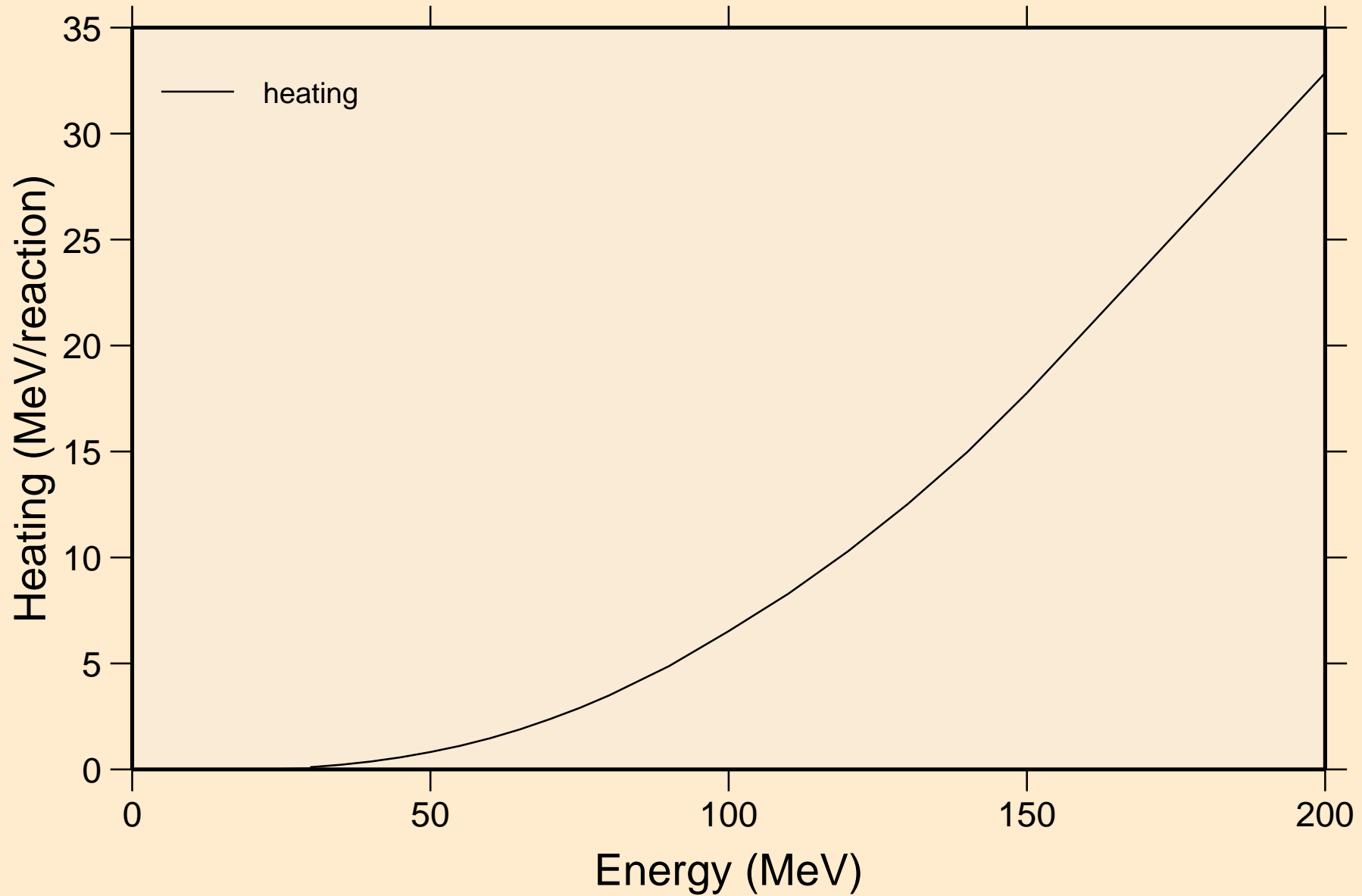
# BI223 HELION ACER TENDL-2021 LIBRARY; T=0.K

## Principal cross sections

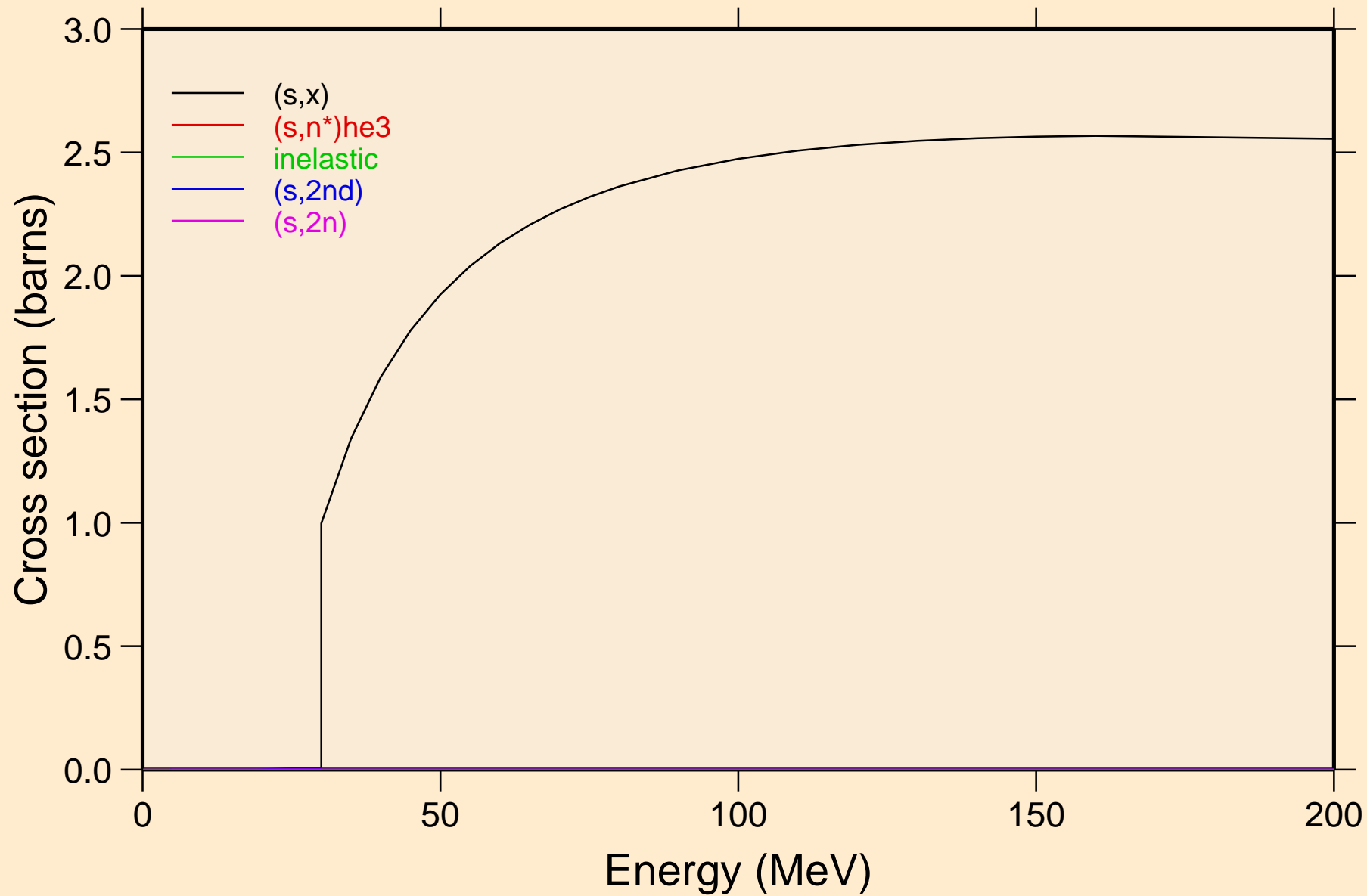


BI223 HELION ACER TENDL-2021 LIBRARY; T=0.K

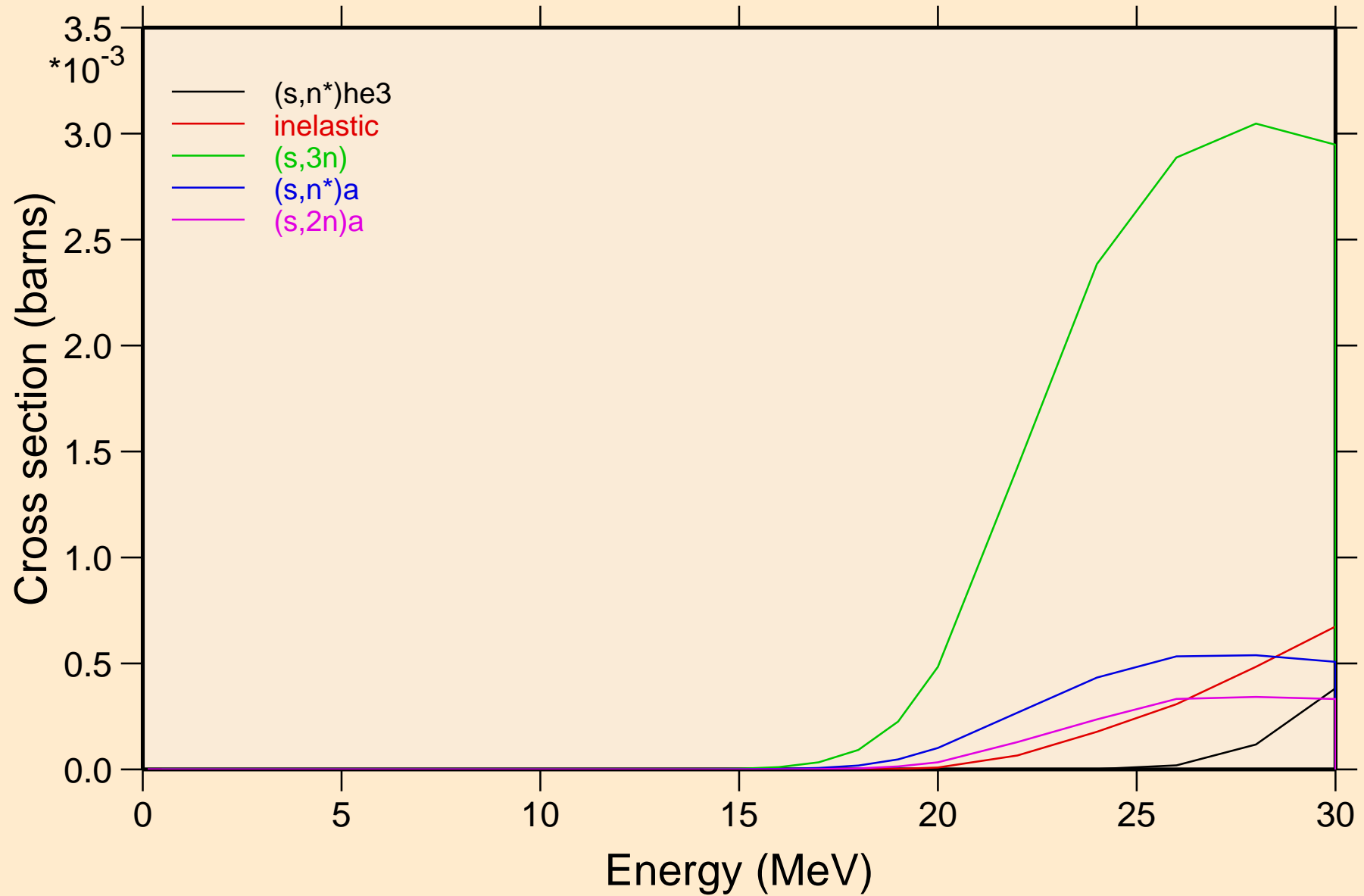
Heating



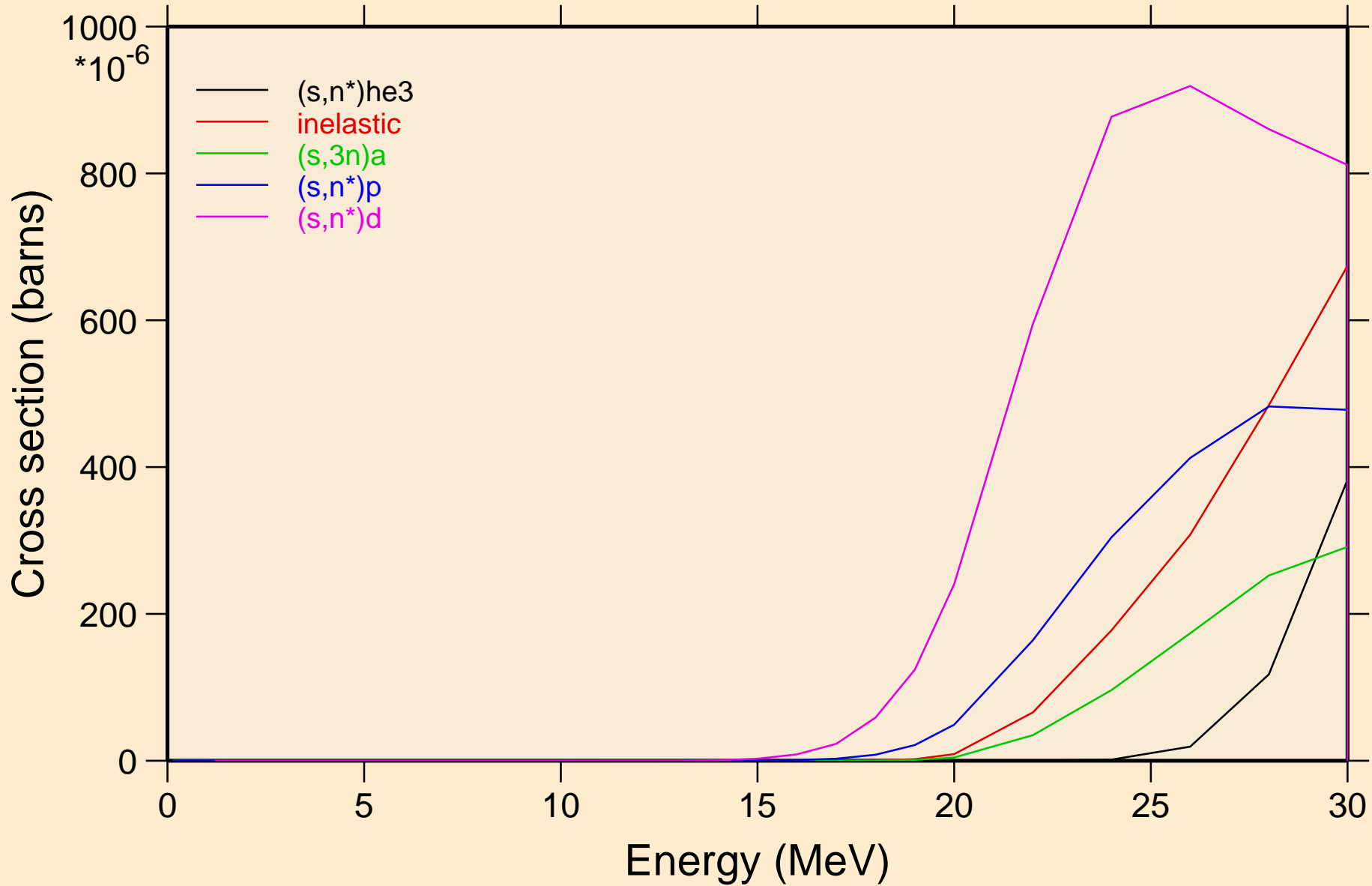
BI223 HELION ACER TENDL-2021 LIBRARY; T=0.K  
Threshold reactions



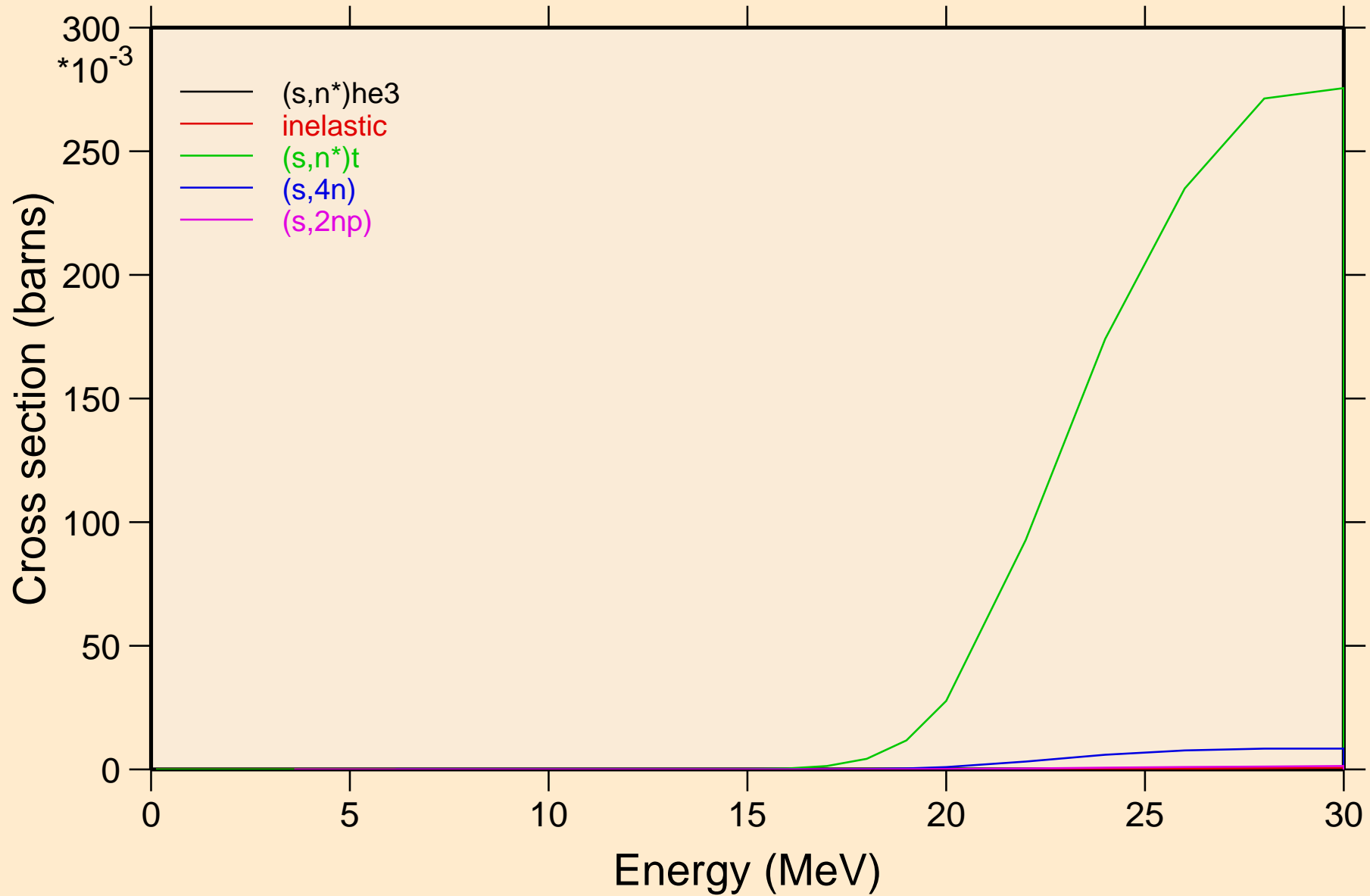
BI223 HELION ACER TENDL-2021 LIBRARY; T=0.K  
Threshold reactions



BI223 HELION ACER TENDL-2021 LIBRARY; T=0.K  
Threshold reactions

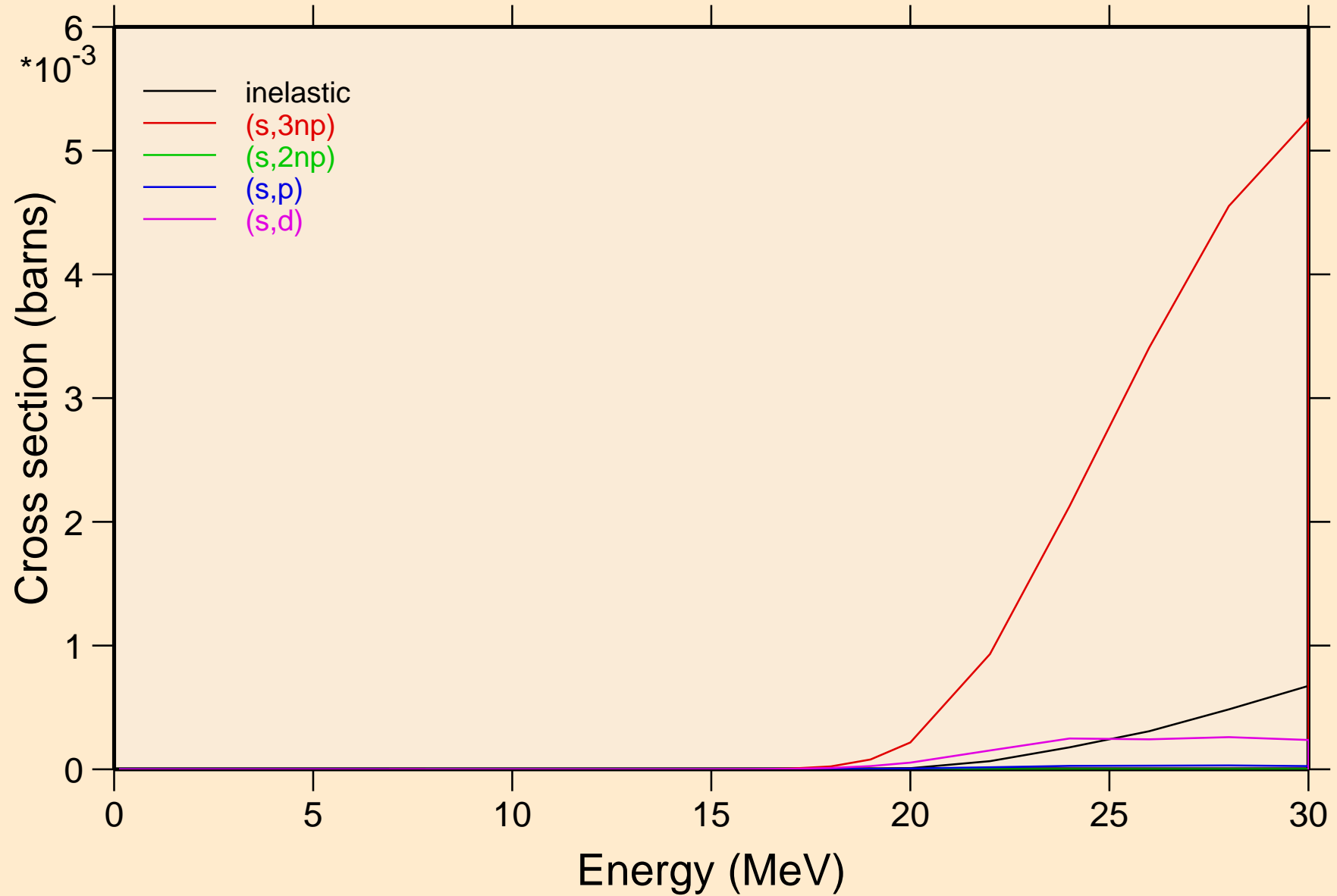


BI223 HELION ACER TENDL-2021 LIBRARY; T=0.K  
Threshold reactions

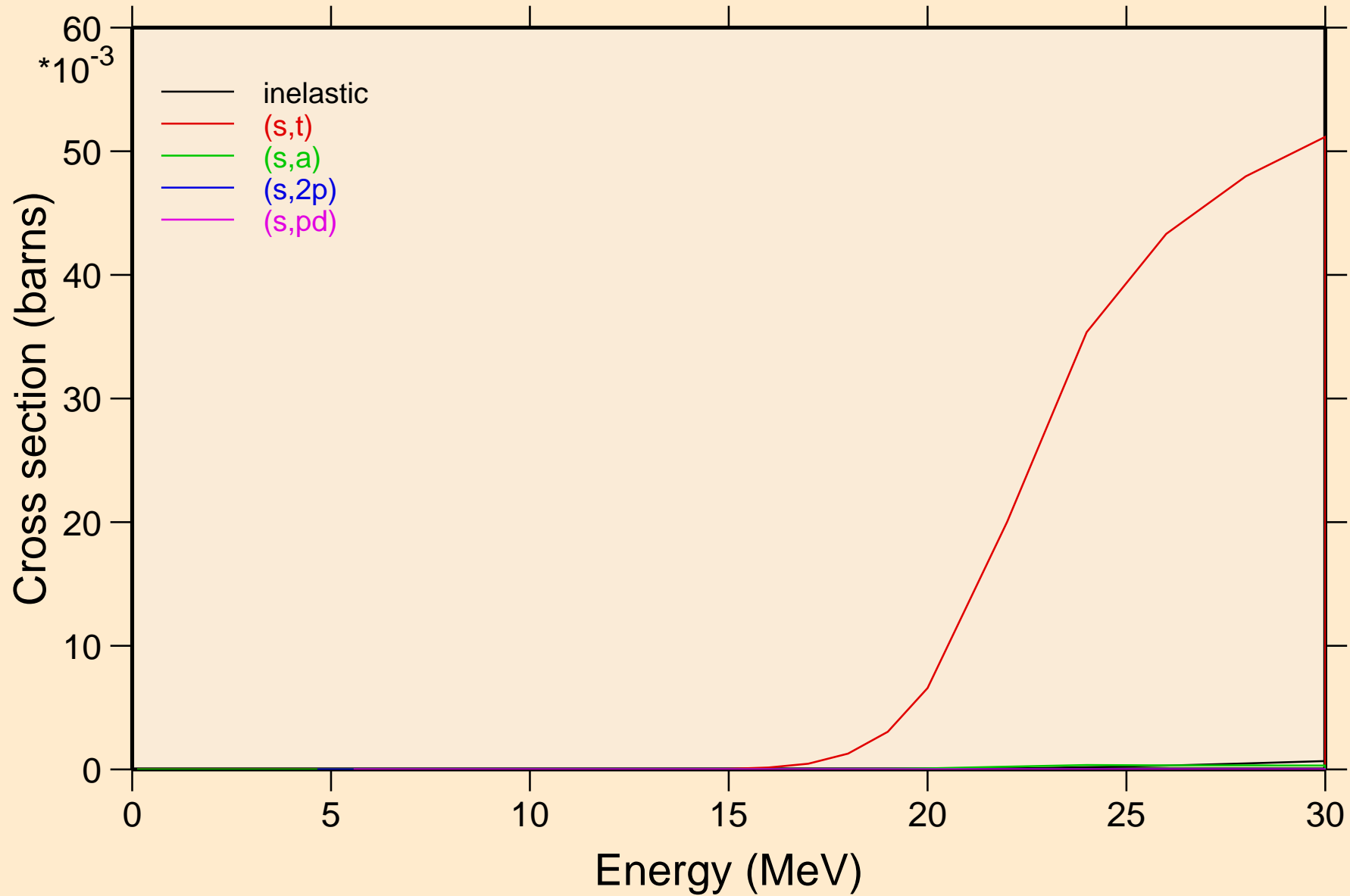




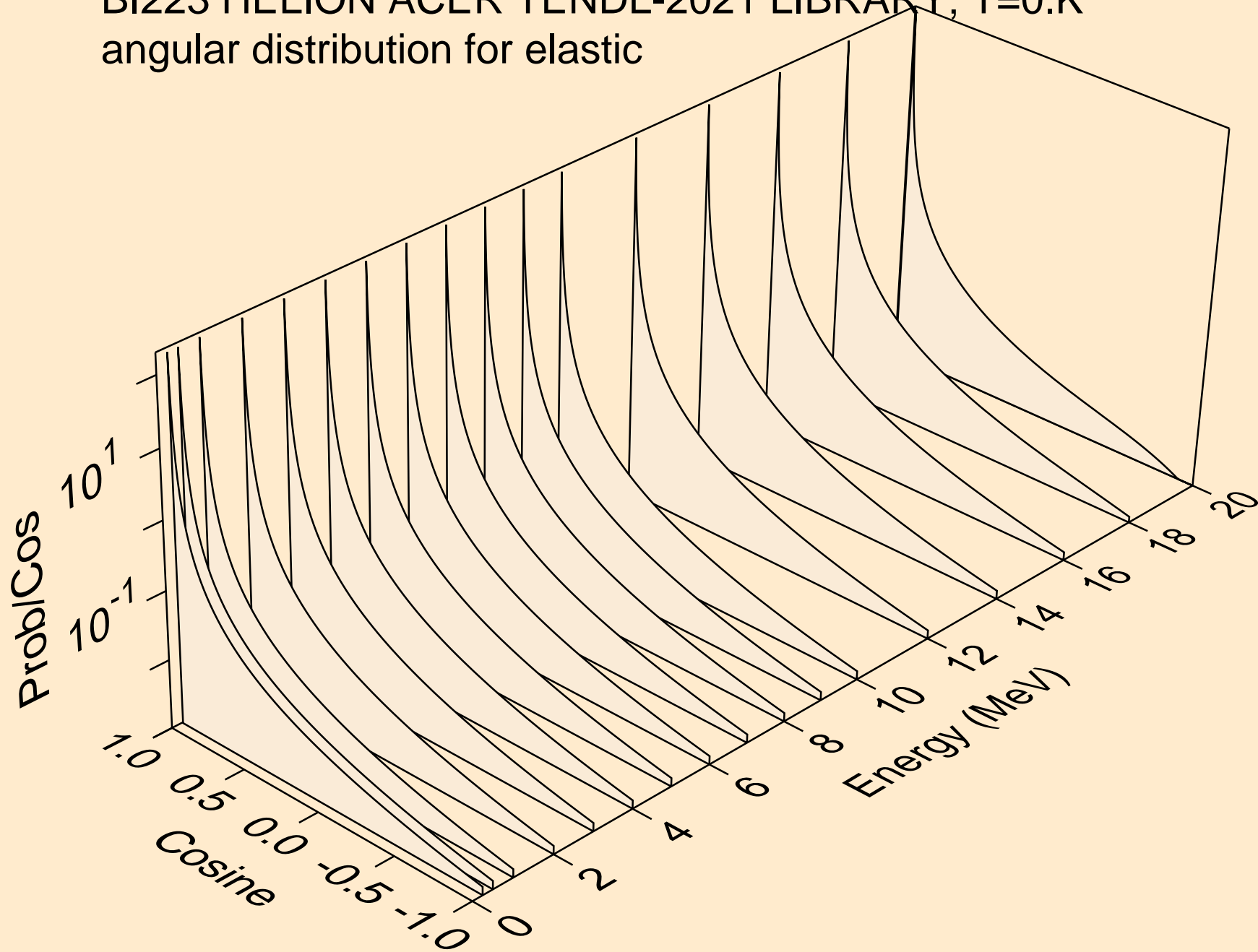
BI223 HELION ACER TENDL-2021 LIBRARY; T=0.K  
Threshold reactions



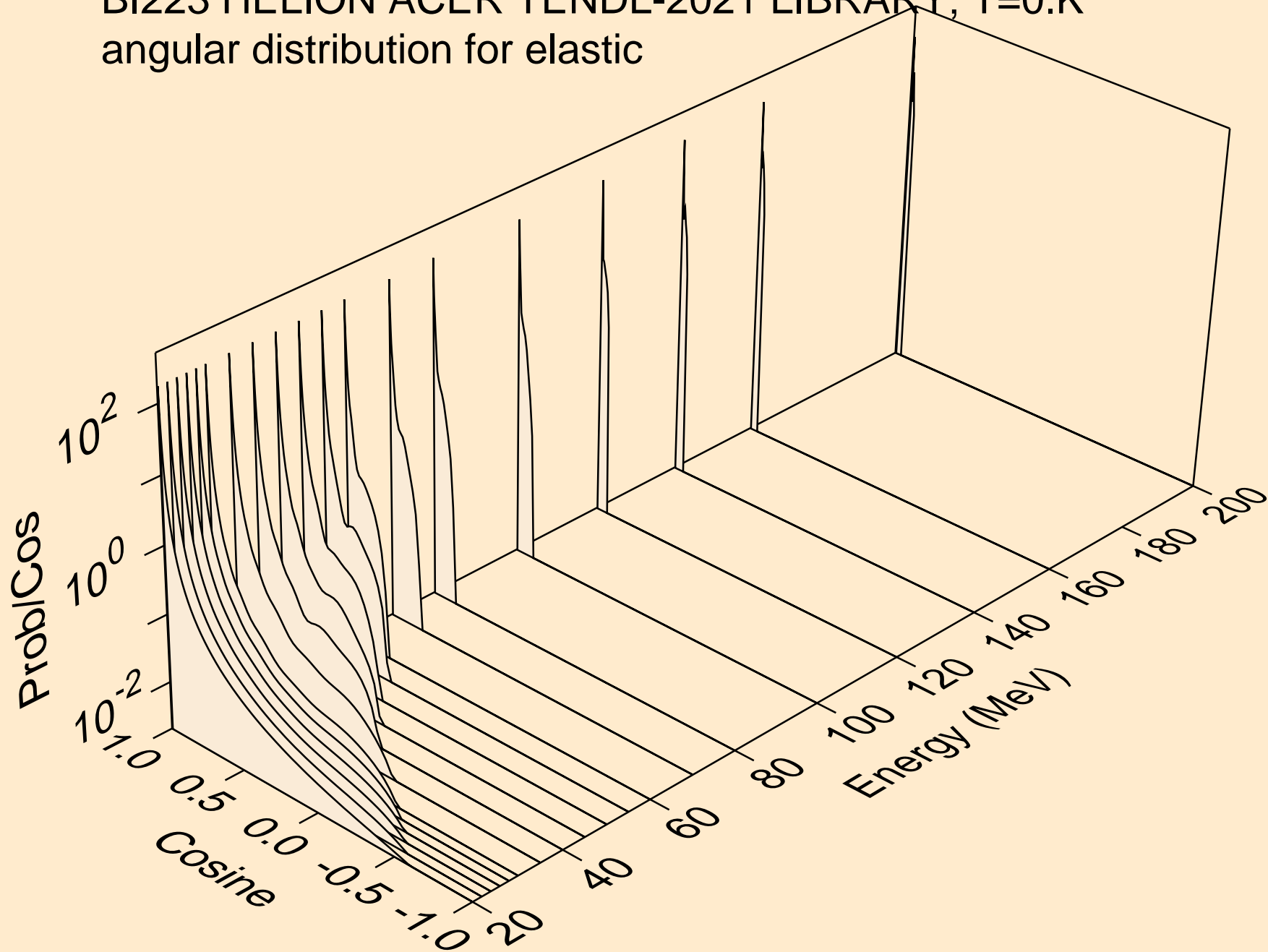
BI223 HELION ACER TENDL-2021 LIBRARY; T=0.K  
Threshold reactions



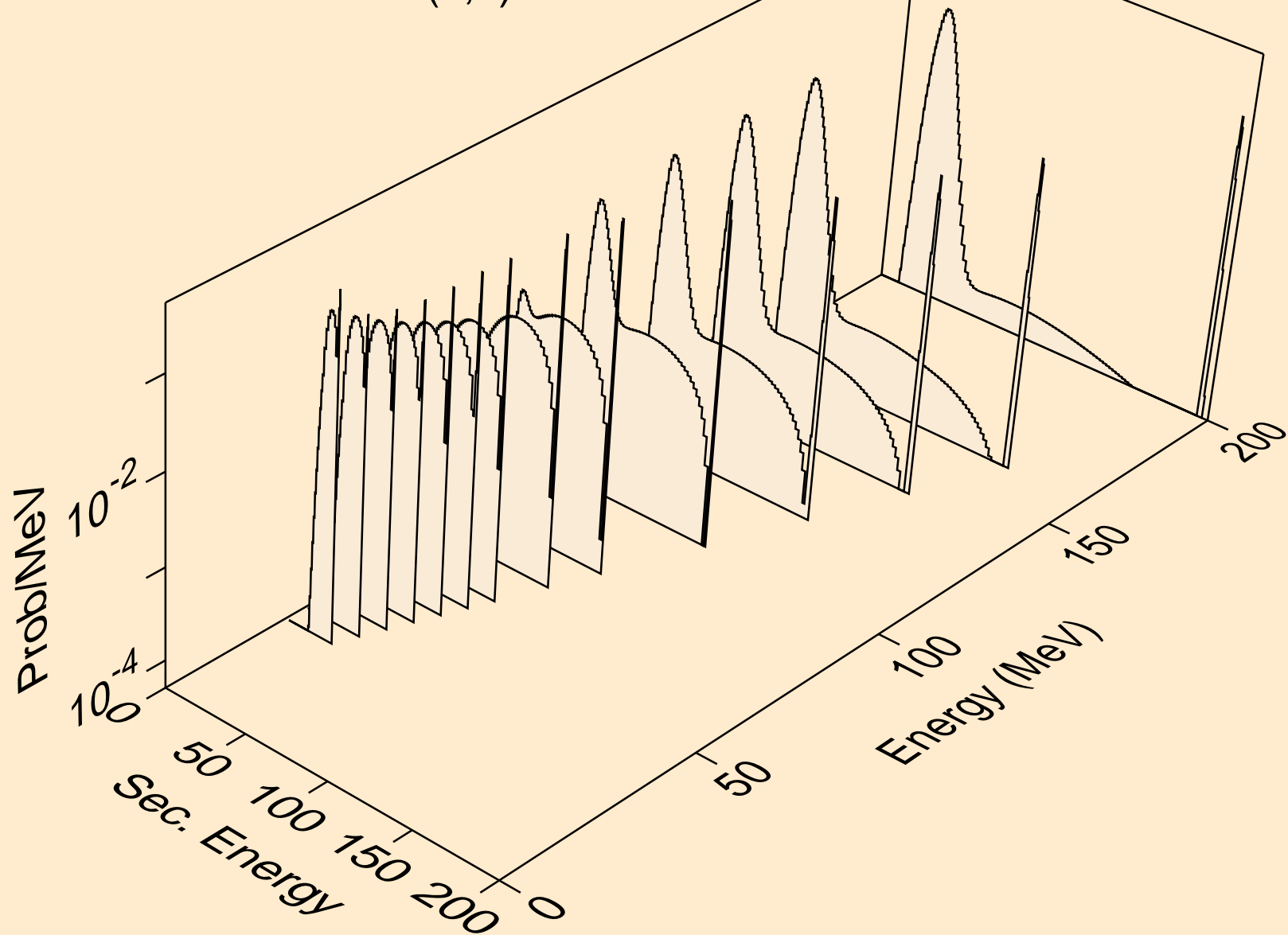
BI223 HELION ACER TENDL-2021 LIBRARY; T=0.K  
angular distribution for elastic



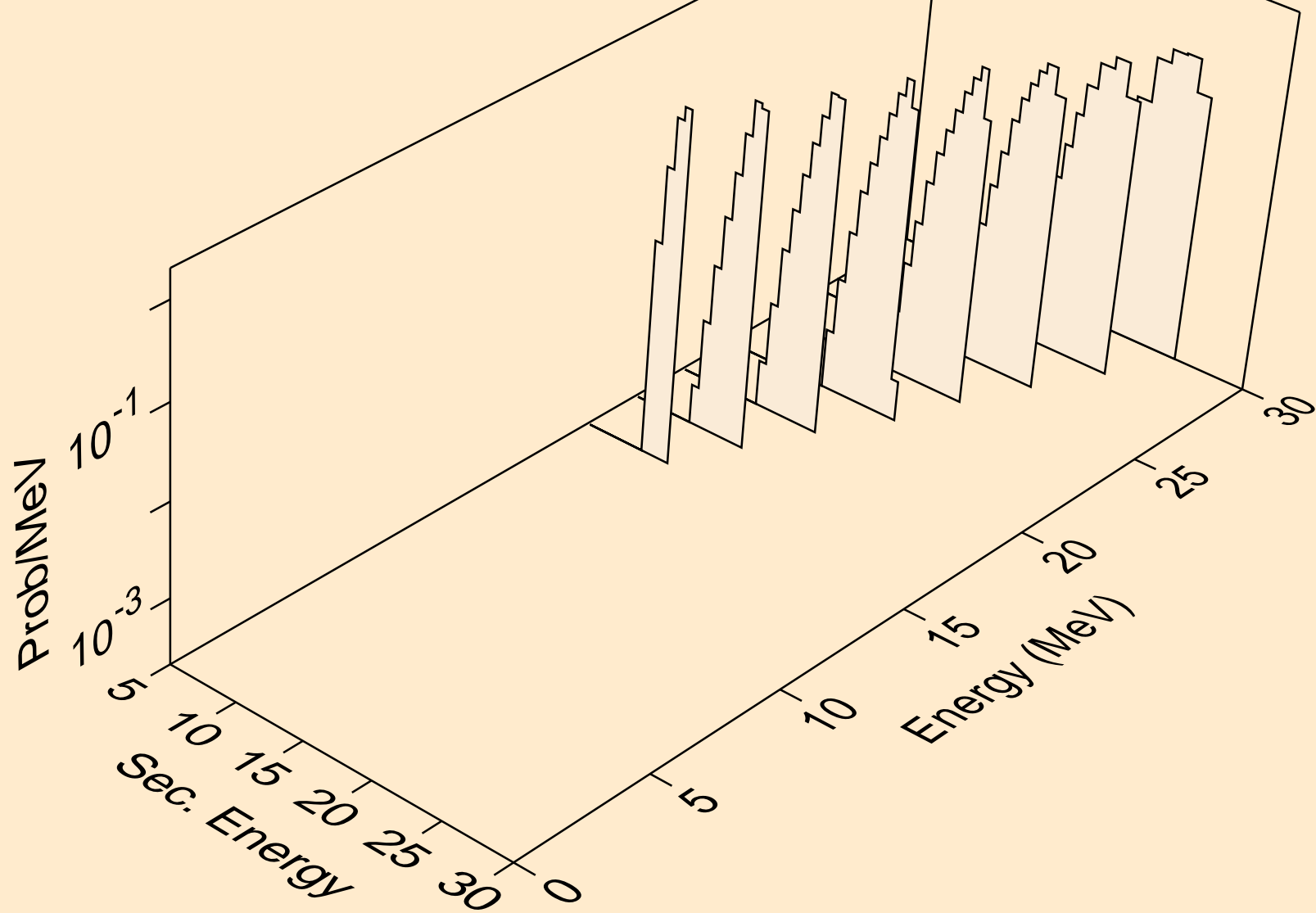
BI223 HELION ACER TENDL-2021 LIBRARY; T=0.K  
angular distribution for elastic



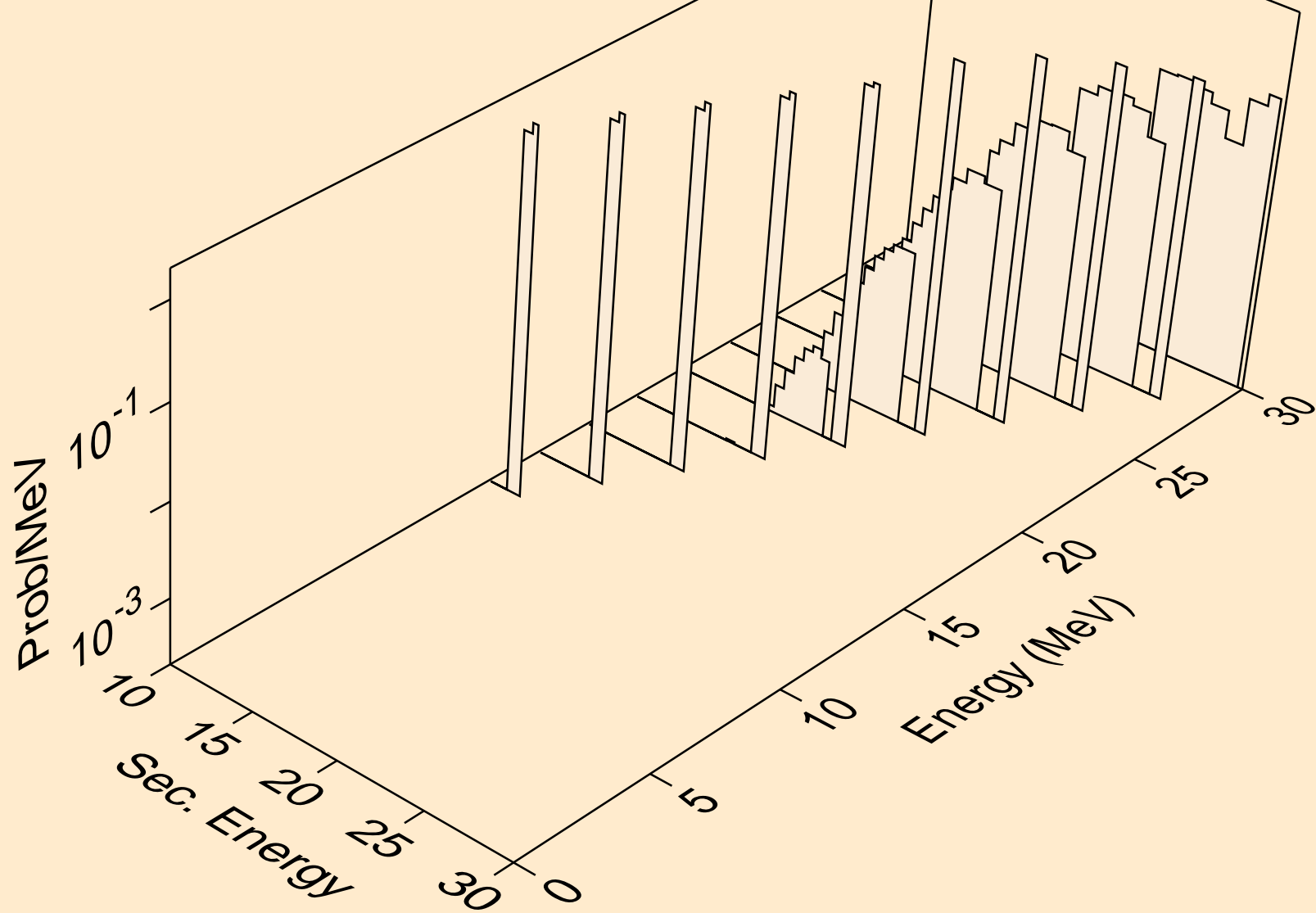
BI223 HELION ACER TENDL-2021 LIBRARY; T=0.K  
He-3 emission for (s,x)



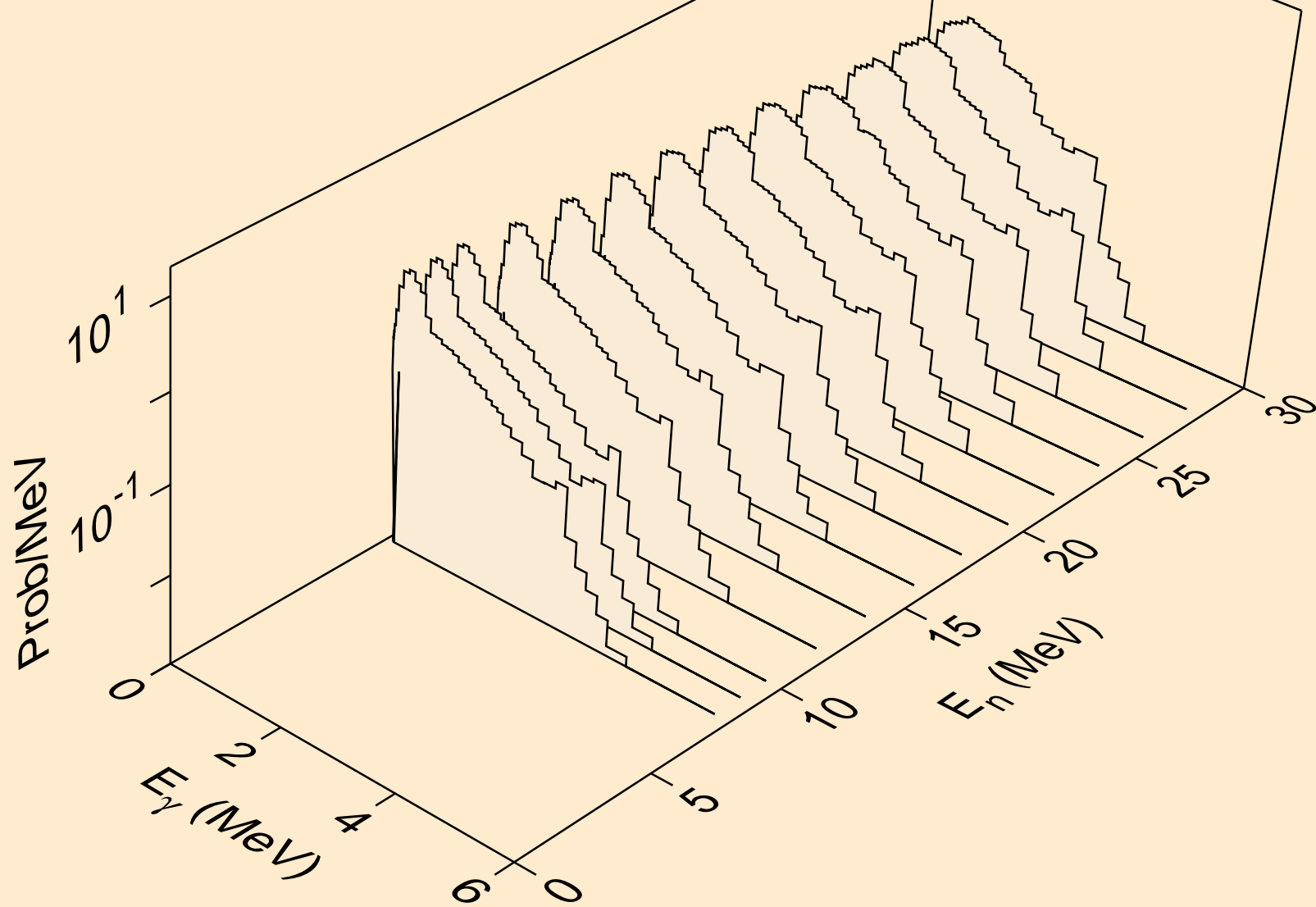
BI223 HELION ACER TENDL-2021 LIBRARY; T=0.K  
He-3 emission for (s,n\*)he3



BI223 HELION ACER TENDL-2021 LIBRARY; T=0.K  
He-3 emission for inelastic

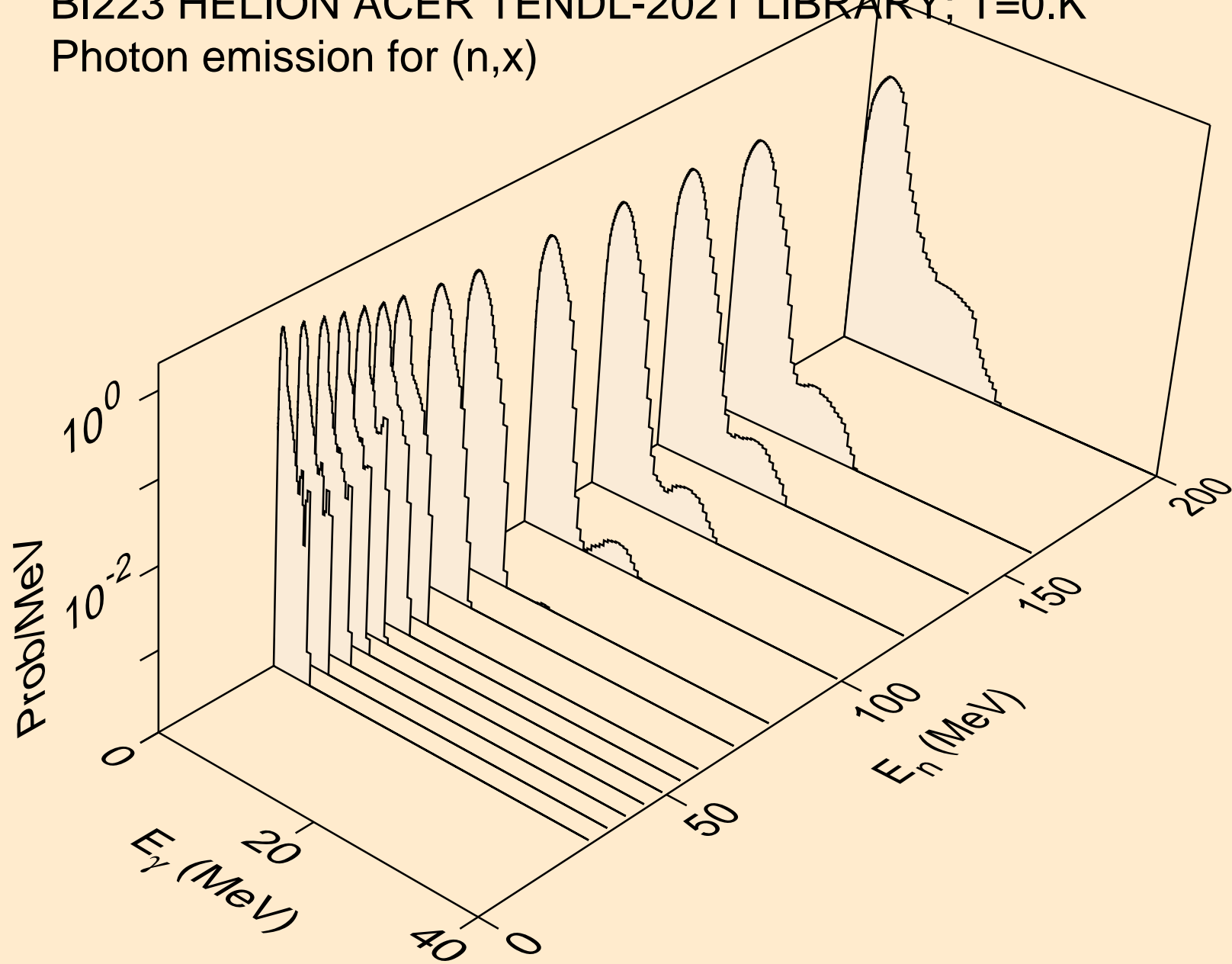


BI223 HELION ACER TENDL-2021 LIBRARY; T=0.K  
Photon emission for (z,n)

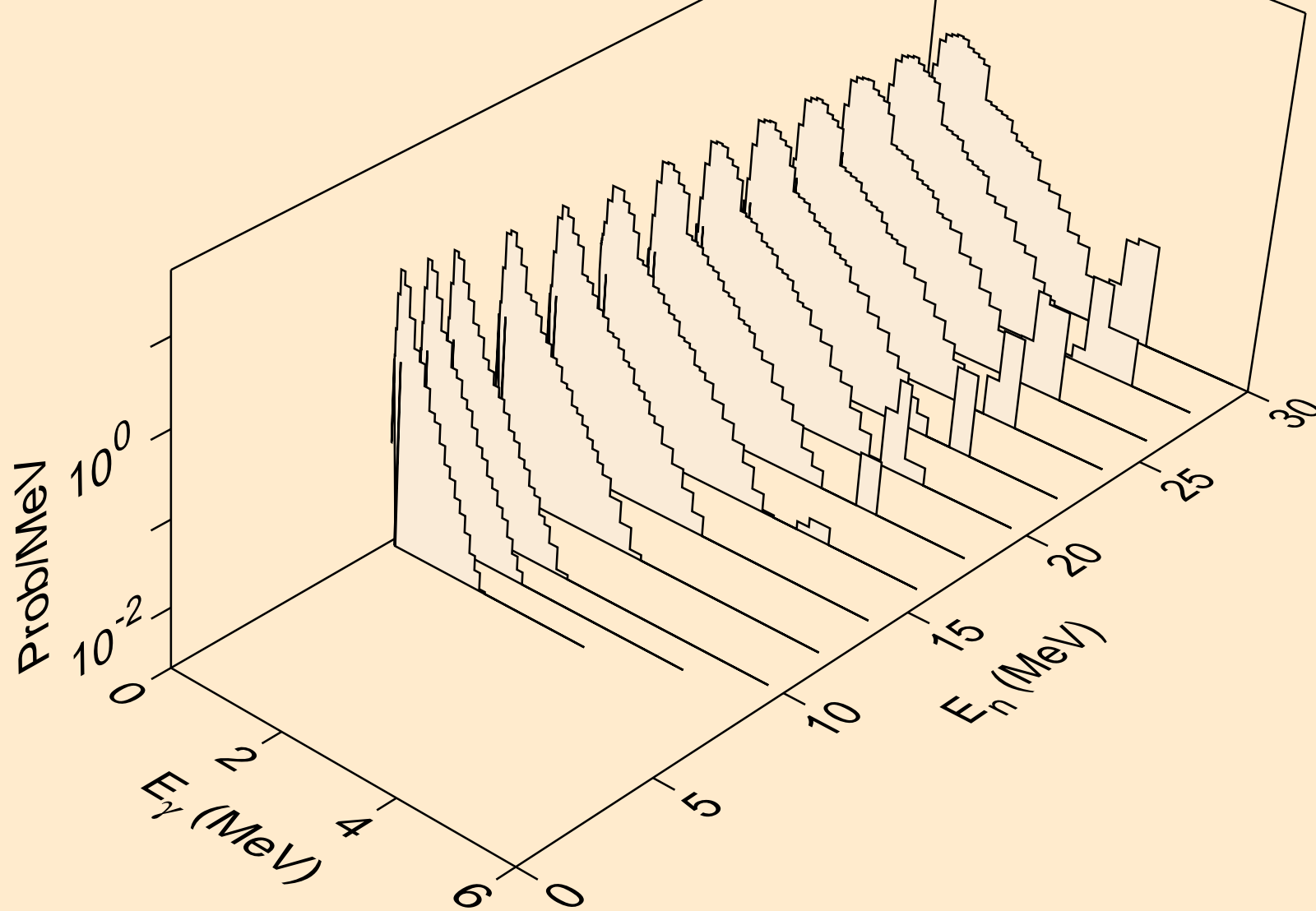




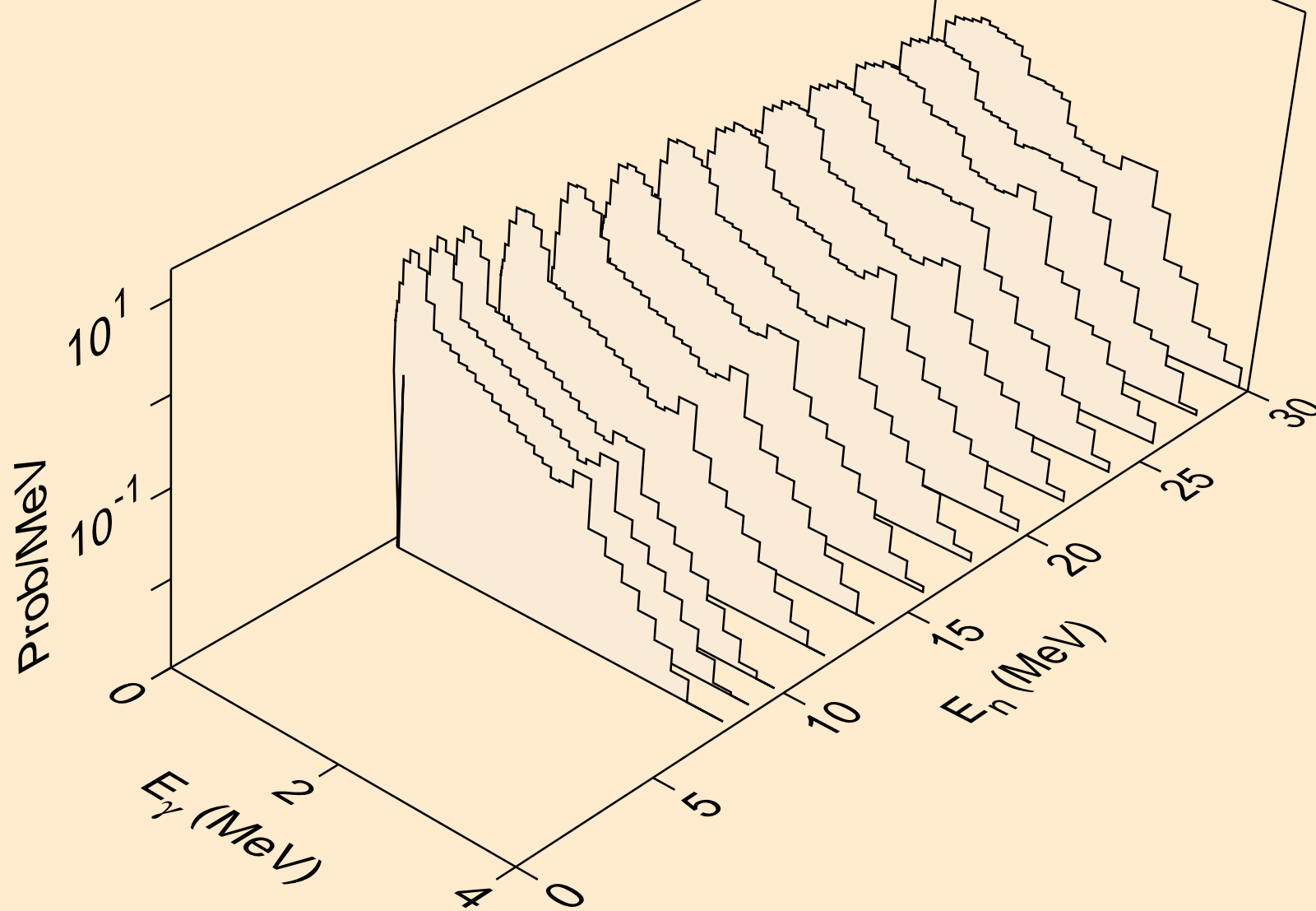
BI223 HELION ACER TENDL-2021 LIBRARY; T=0.K  
Photon emission for (n,x)



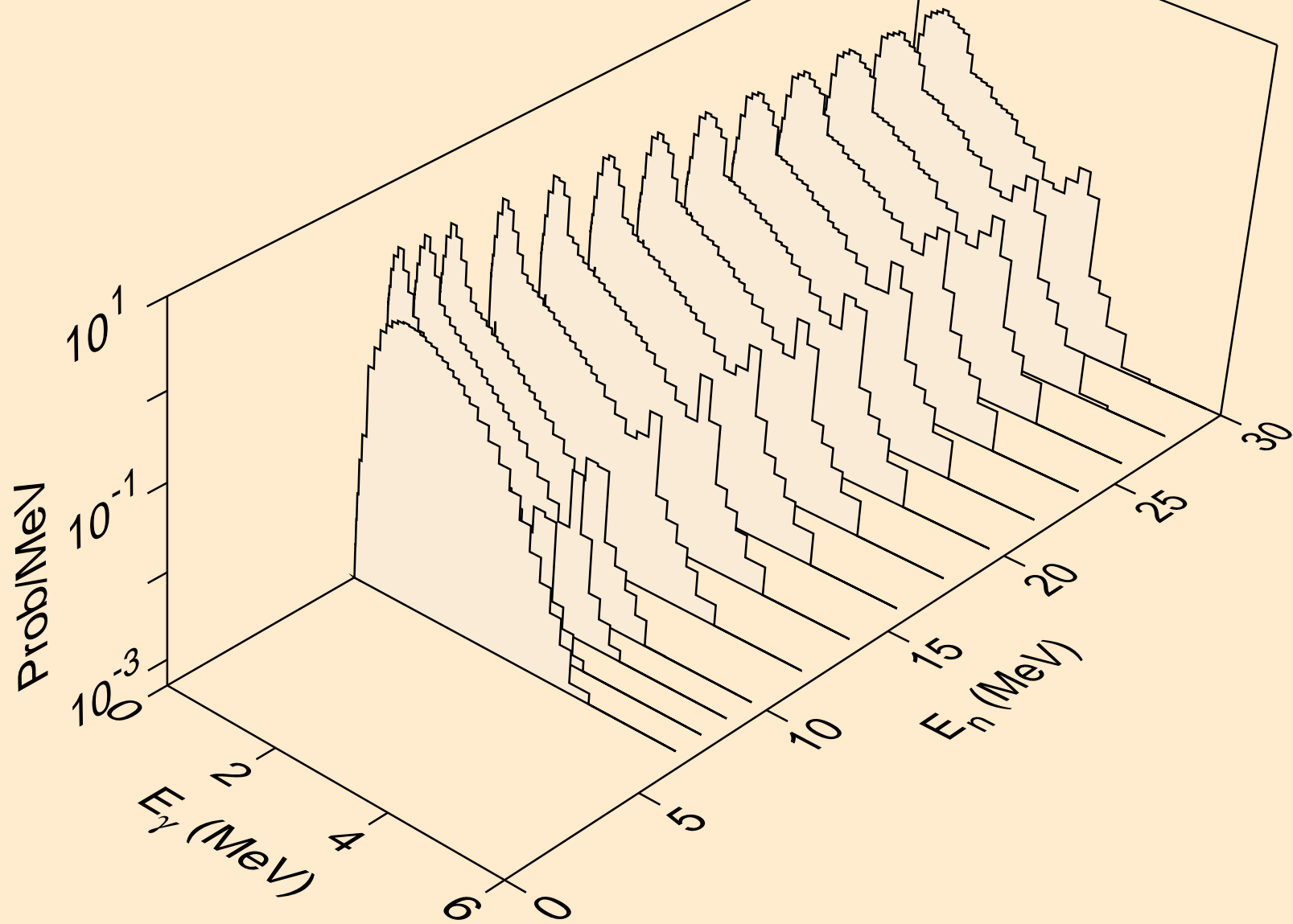
BI223 HELION ACER TENDL-2021 LIBRARY; T=0.K  
Photon emission for (n,2nd)



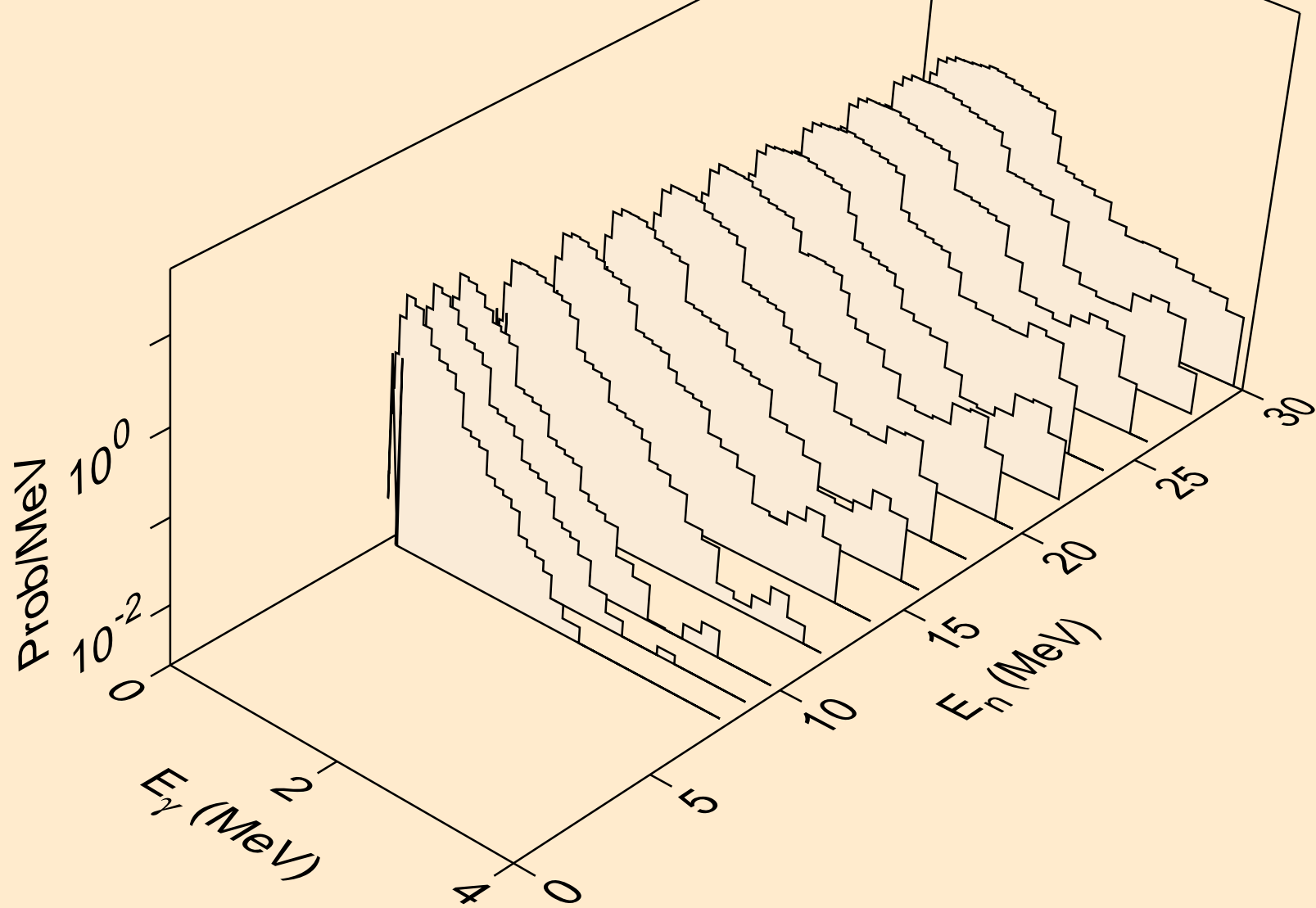
BI223 HELION ACER TENDL-2021 LIBRARY; T=0.K  
Photon emission for (n,2n)



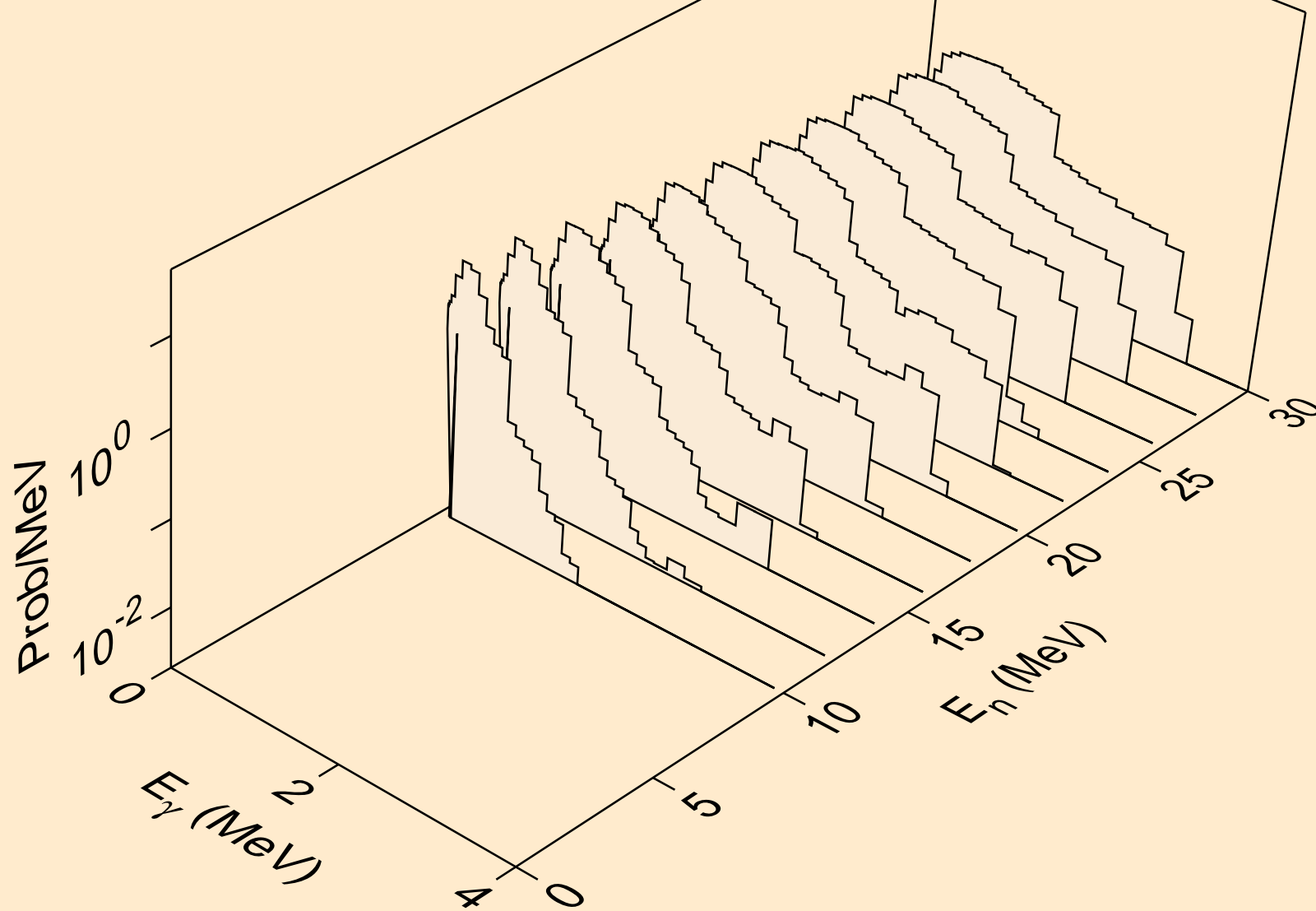
BI223 HELION ACER TENDL-2021 LIBRARY; T=0.K  
Photon emission for (n,3n)



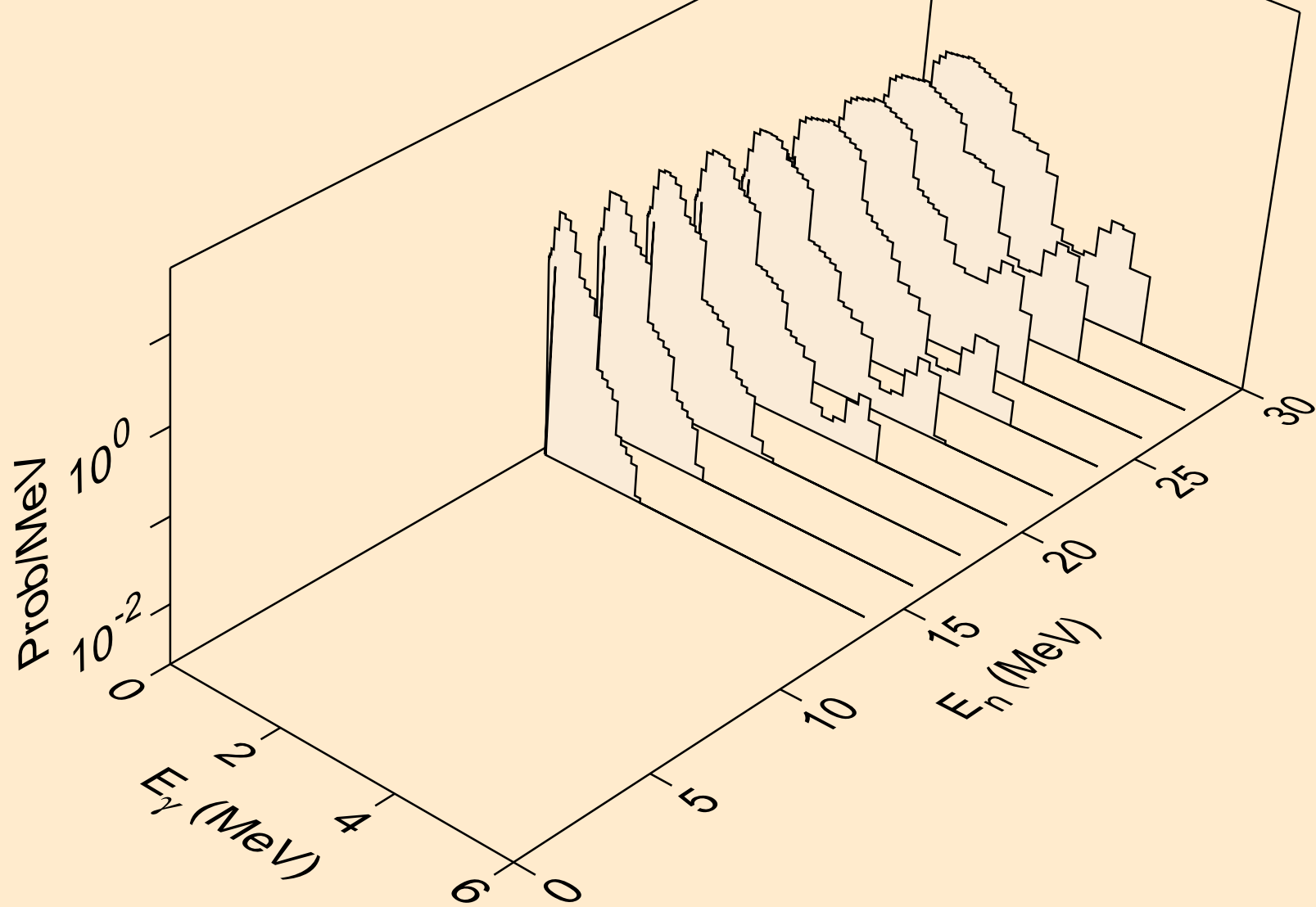
BI223 HELION ACER TENDL-2021 LIBRARY; T=0.K  
Photon emission for (n,n\*)a



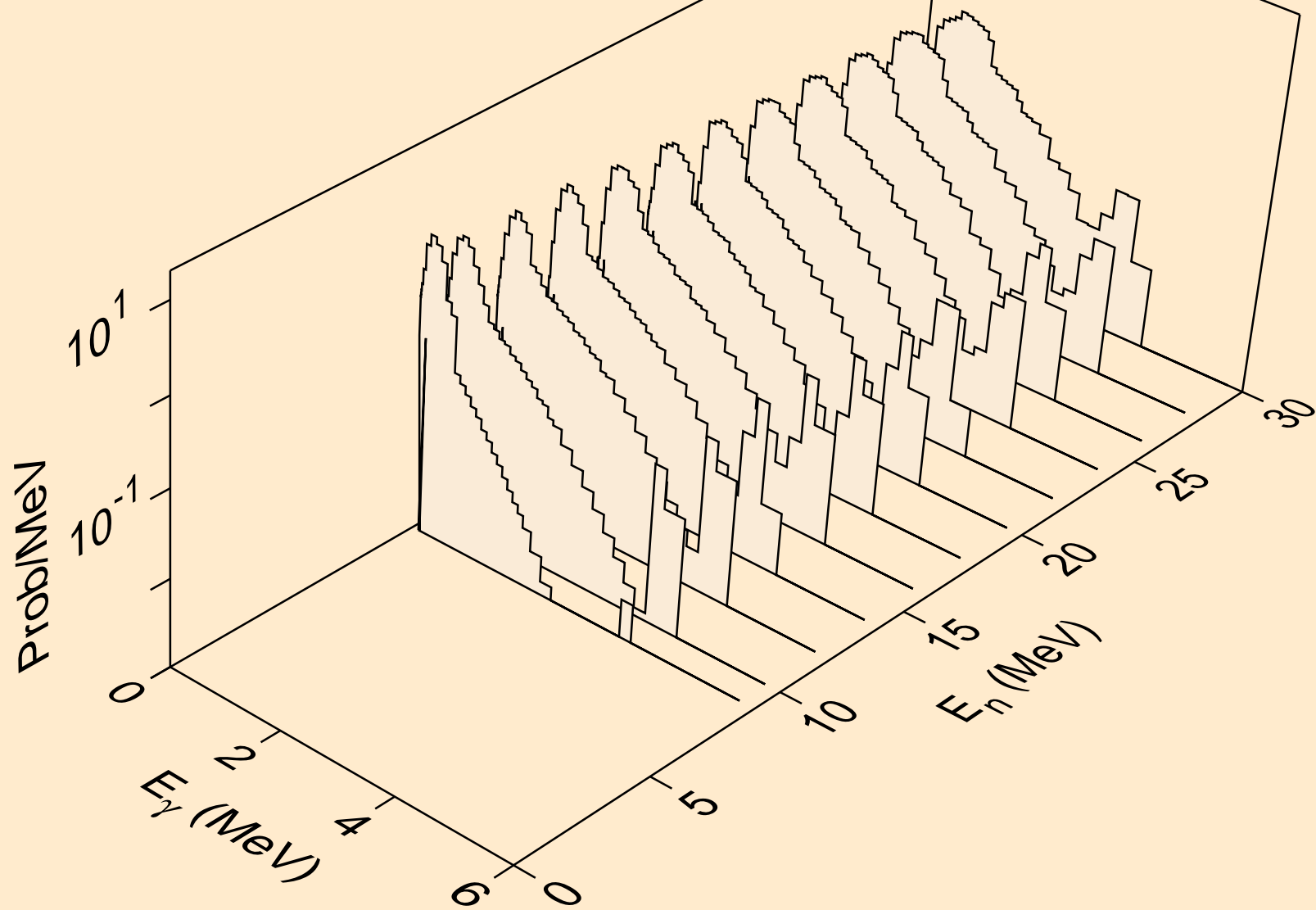
BI223 HELION ACER TENDL-2021 LIBRARY; T=0.K  
Photon emission for (n,2n)a



BI223 HELION ACER TENDL-2021 LIBRARY; T=0.K  
Photon emission for (n,3n)a

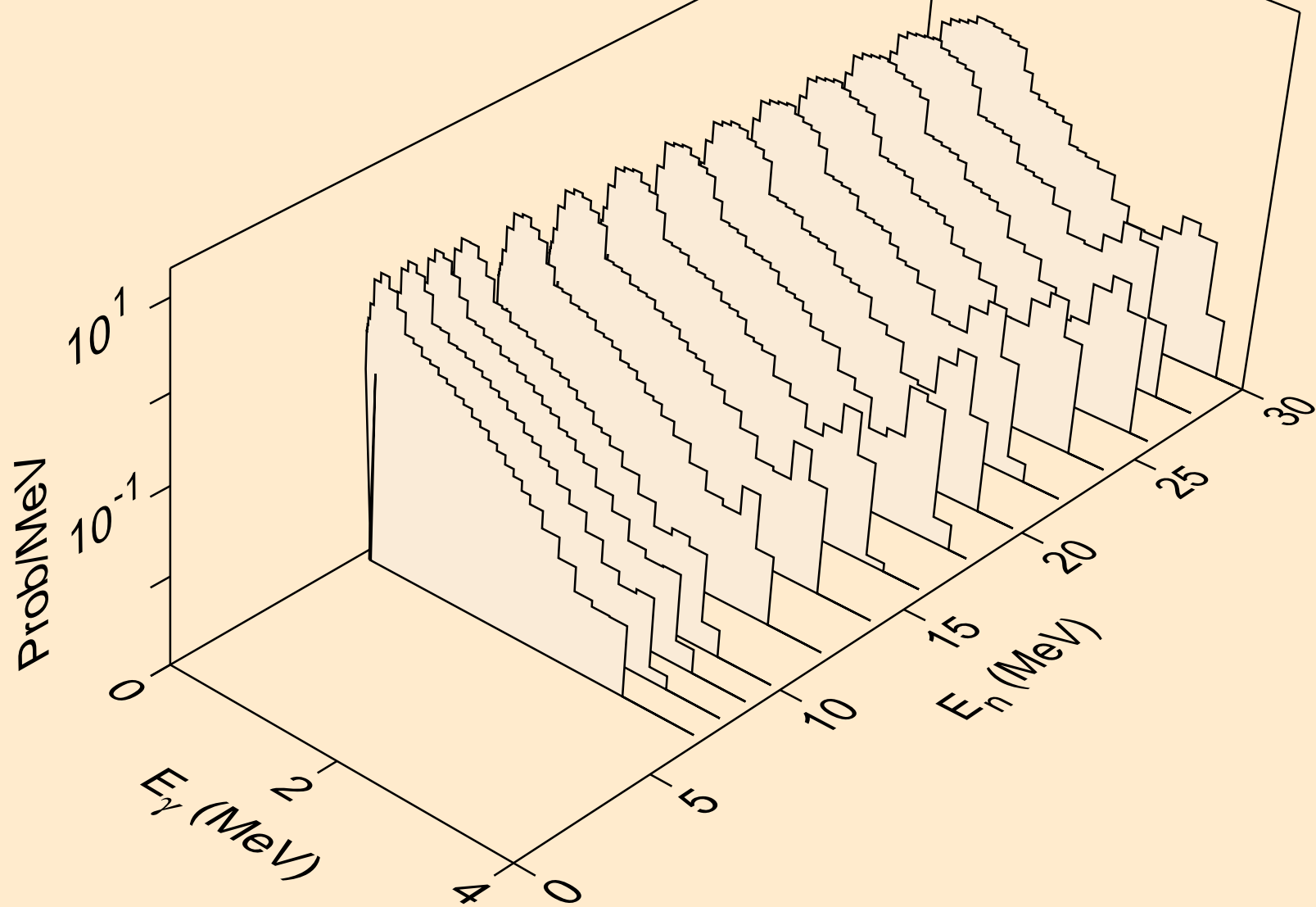


BI223 HELION ACER TENDL-2021 LIBRARY; T=0.K  
Photon emission for (n,n\*)p

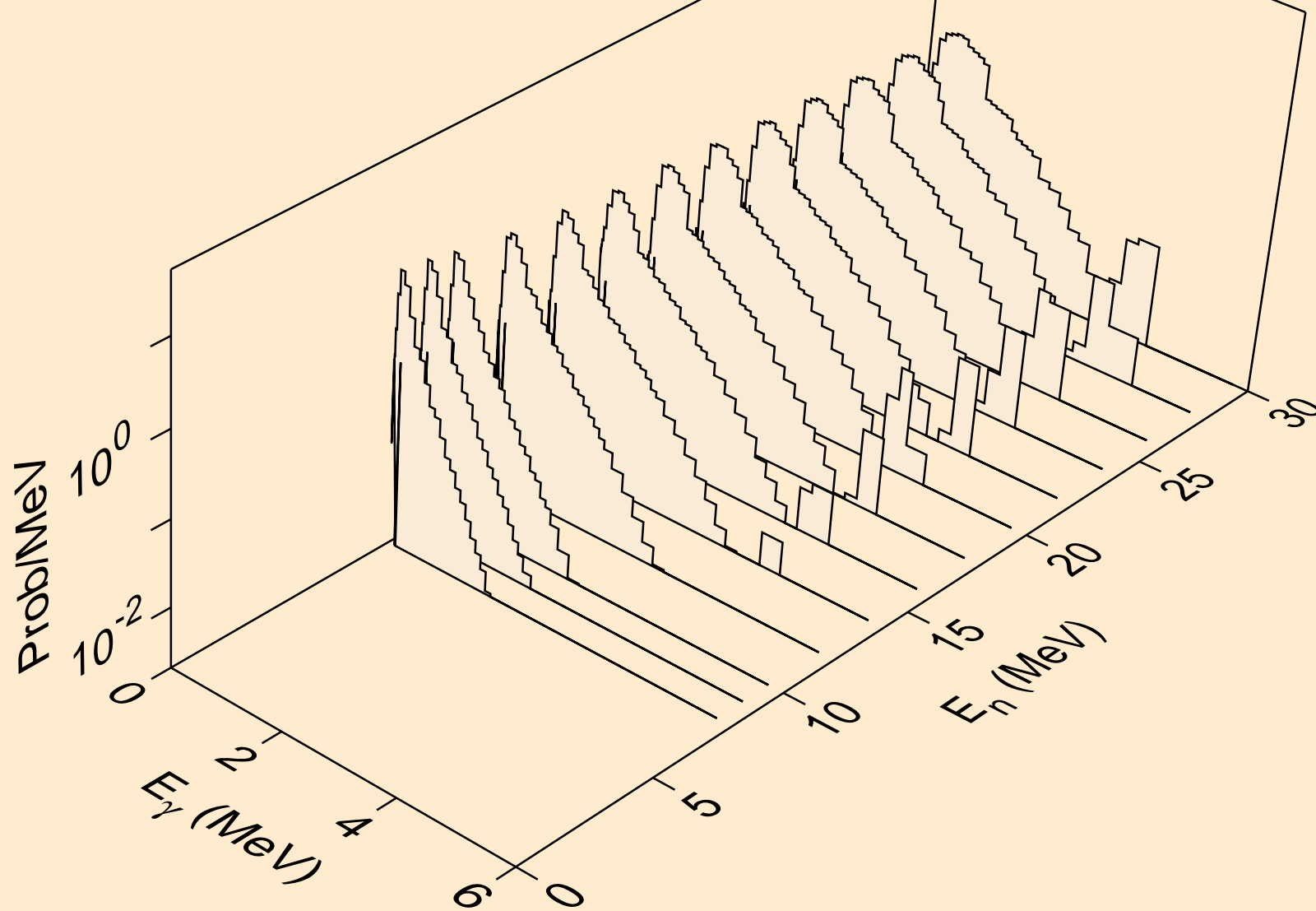




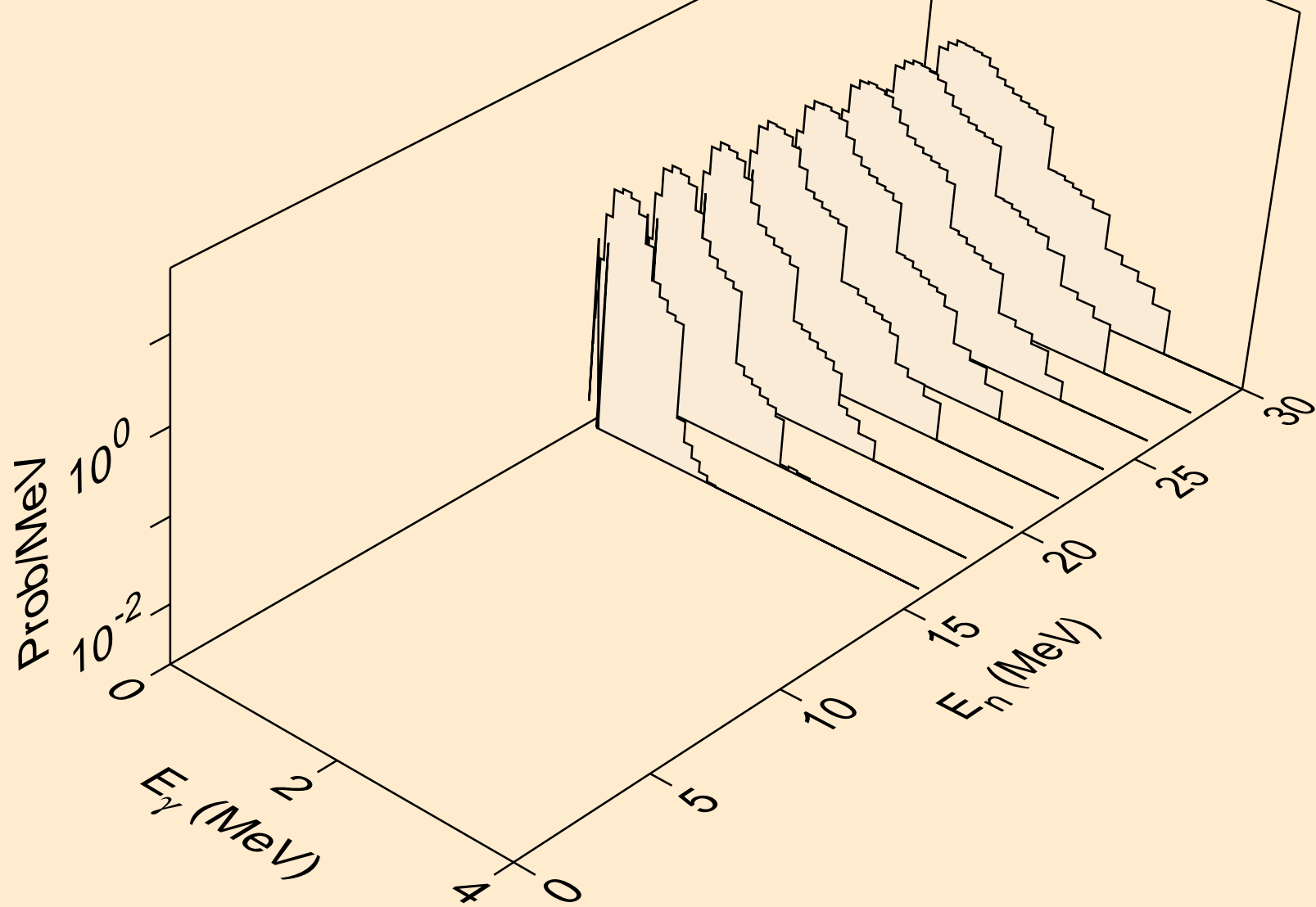
BI223 HELION ACER TENDL-2021 LIBRARY; T=0.K  
Photon emission for (n,n\*)d



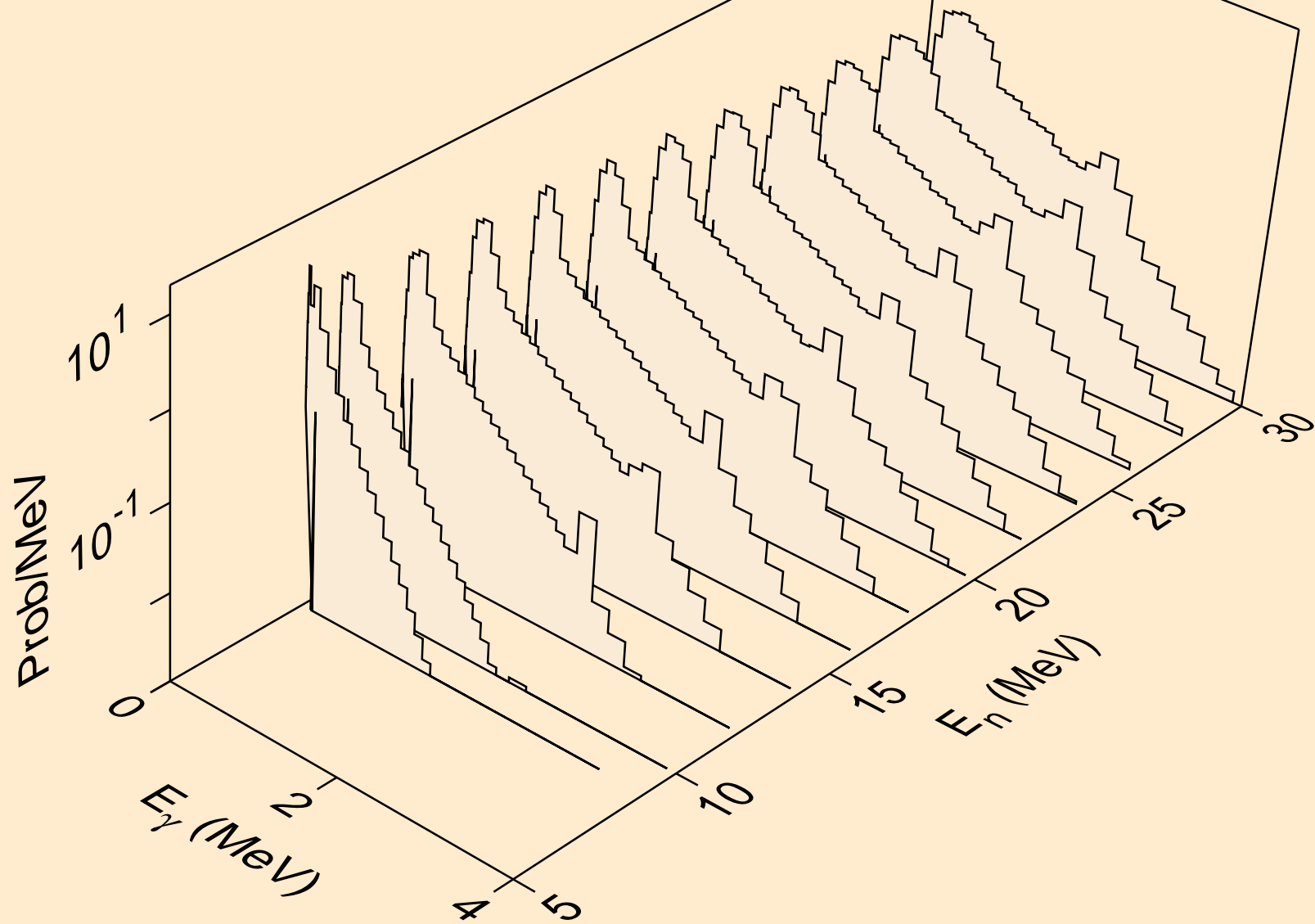
BI223 HELION ACER TENDL-2021 LIBRARY; T=0.K  
Photon emission for (n,n\*)t



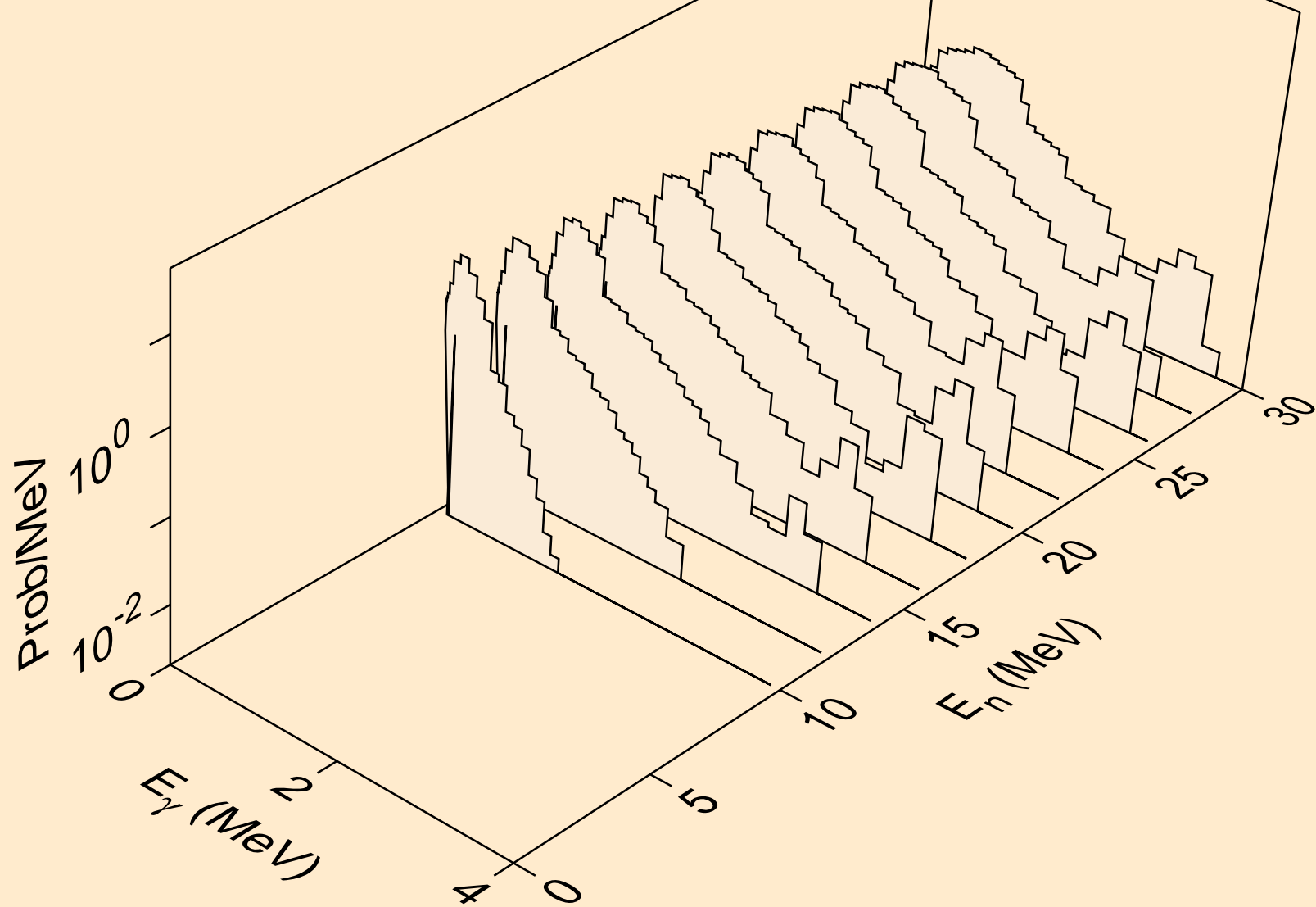
BI223 HELION ACER TENDL-2021 LIBRARY; T=0.K  
Photon emission for (n,n\*)he3



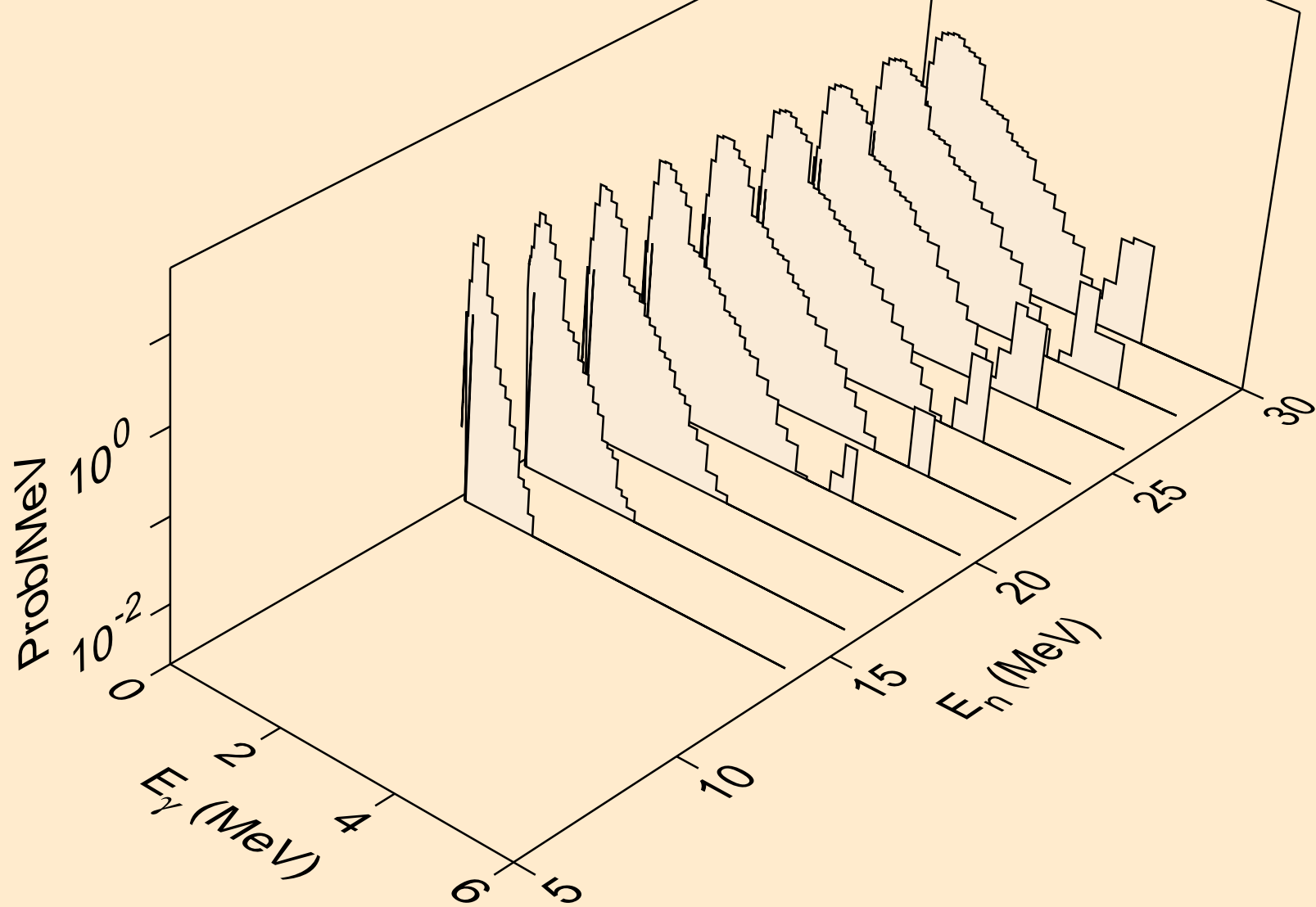
BI223 HELION ACER TENDL-2021 LIBRARY; T=0.K  
Photon emission for (n,4n)



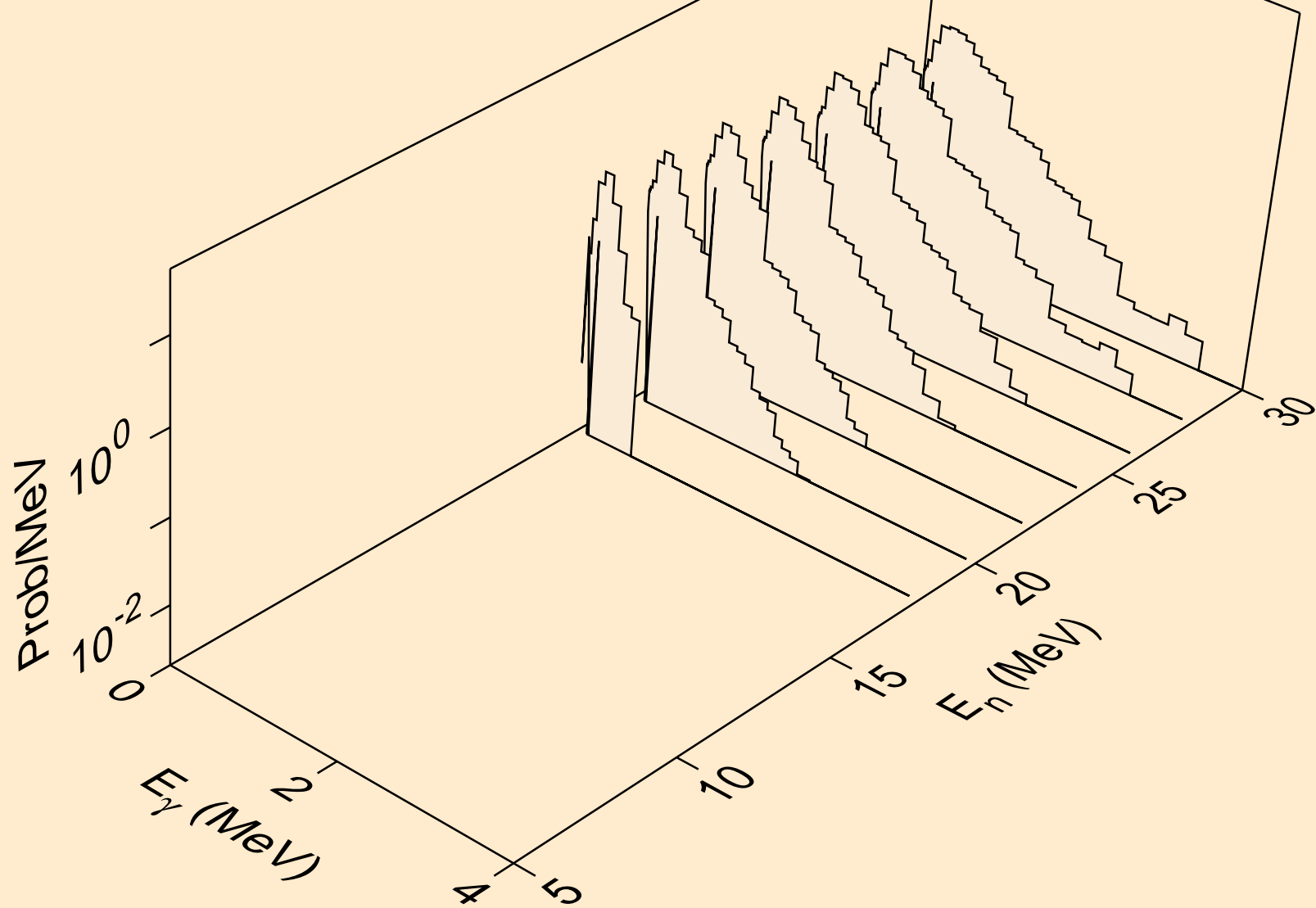
BI223 HELION ACER TENDL-2021 LIBRARY; T=0.K  
Photon emission for (n,2np)



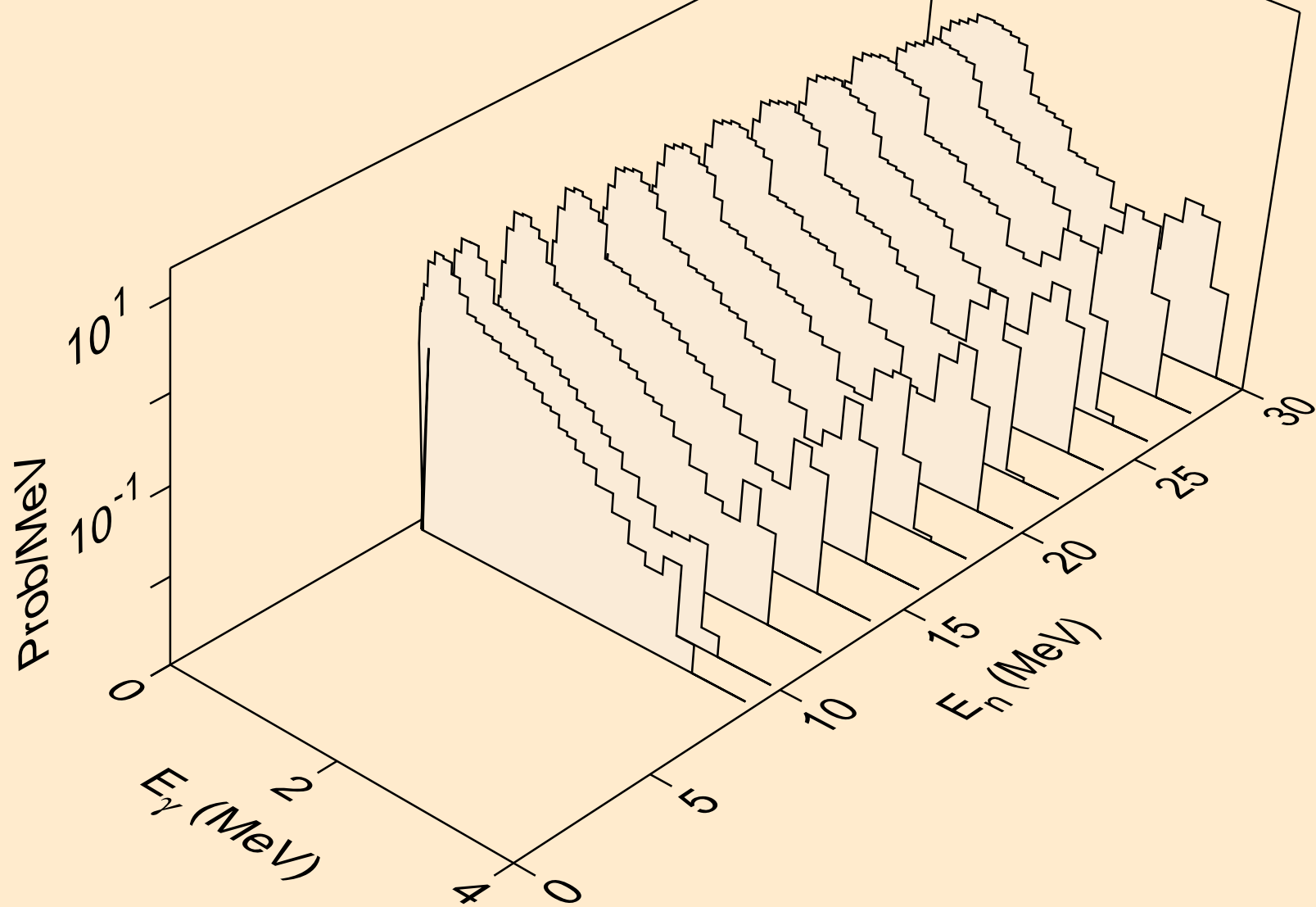
BI223 HELION ACER TENDL-2021 LIBRARY; T=0.K  
Photon emission for (n,3np)



BI223 HELION ACER TENDL-2021 LIBRARY; T=0.K  
Photon emission for (n,2np)

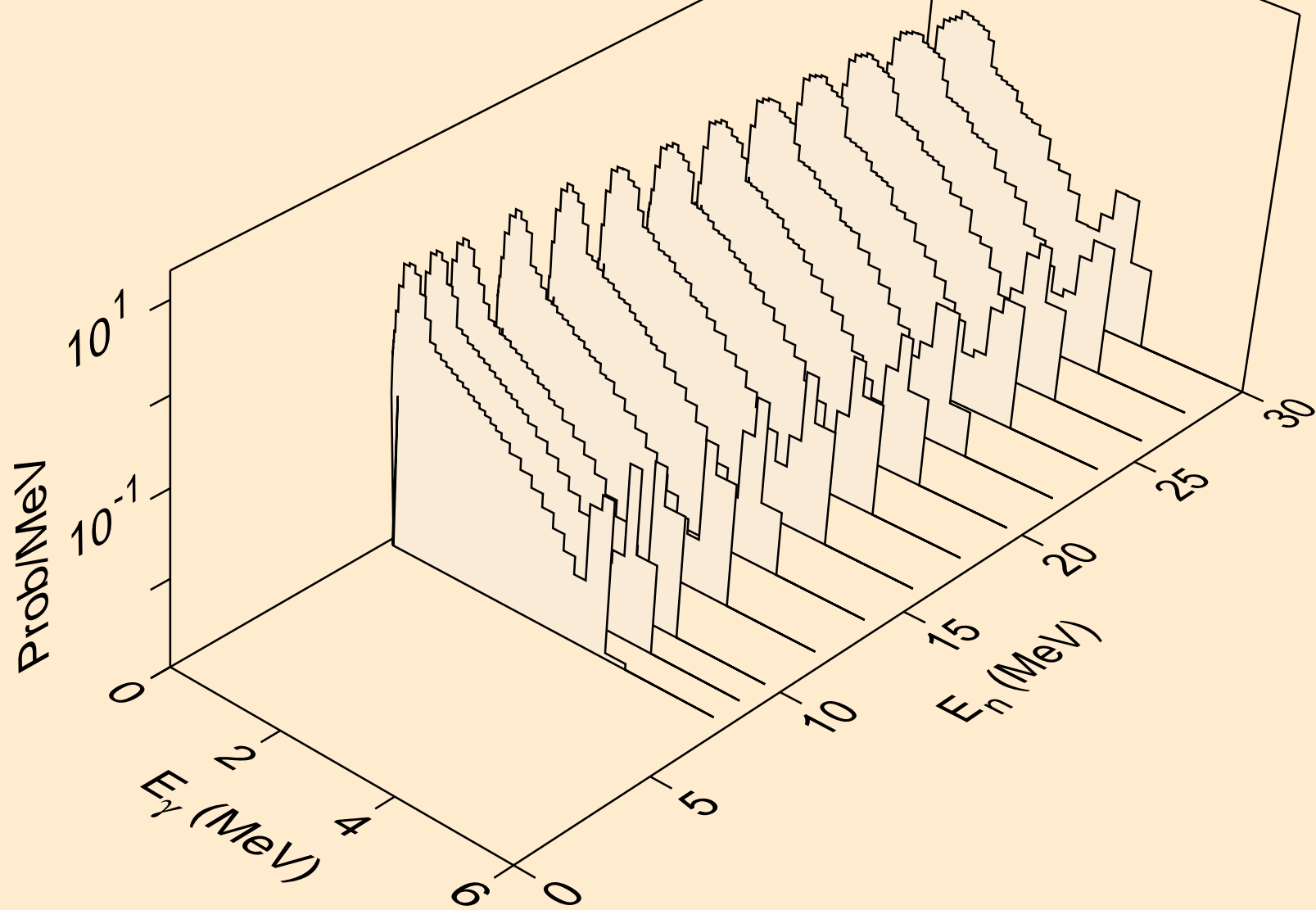


BI223 HELION ACER TENDL-2021 LIBRARY; T=0.K  
Photon emission for (n,p)

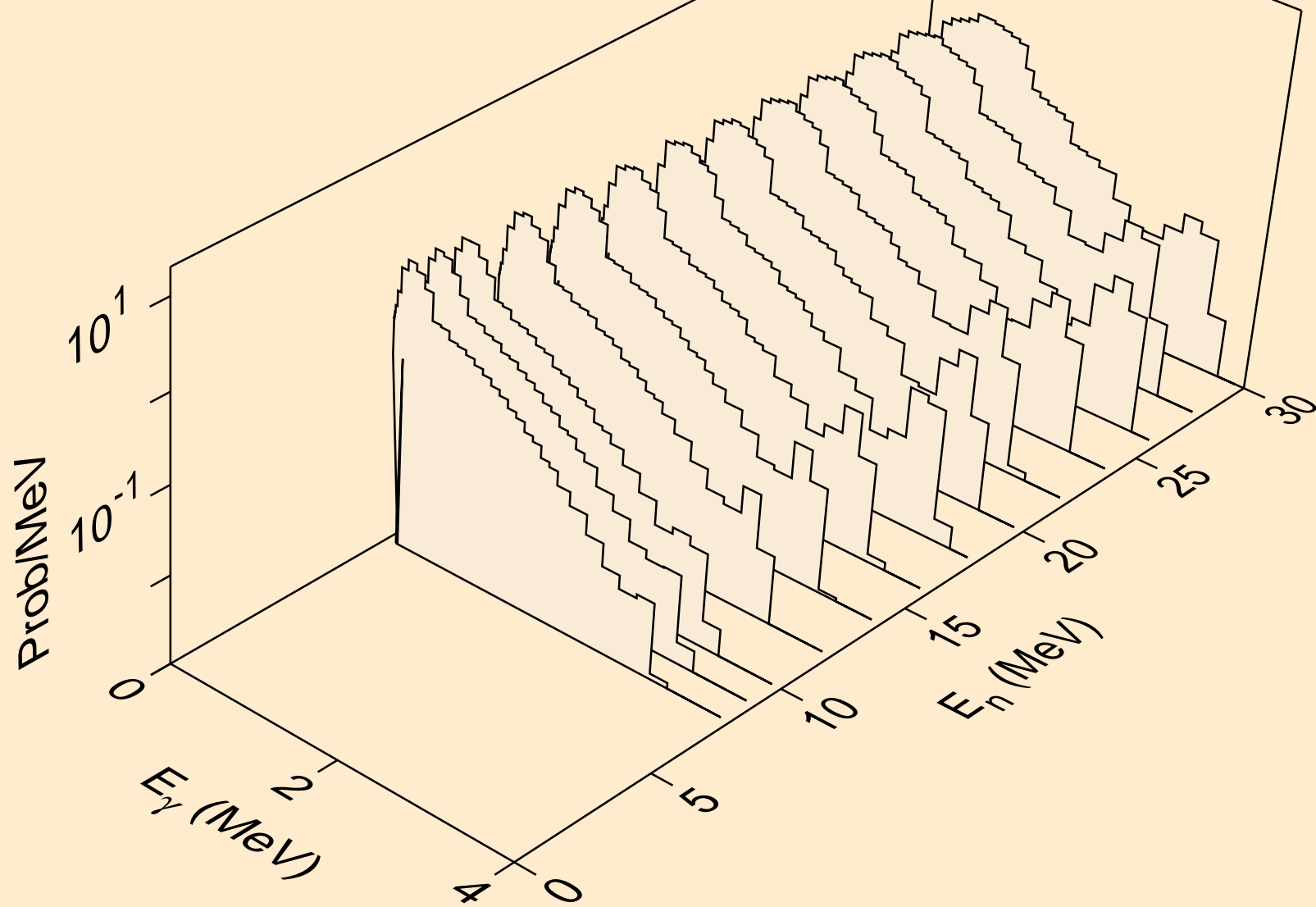




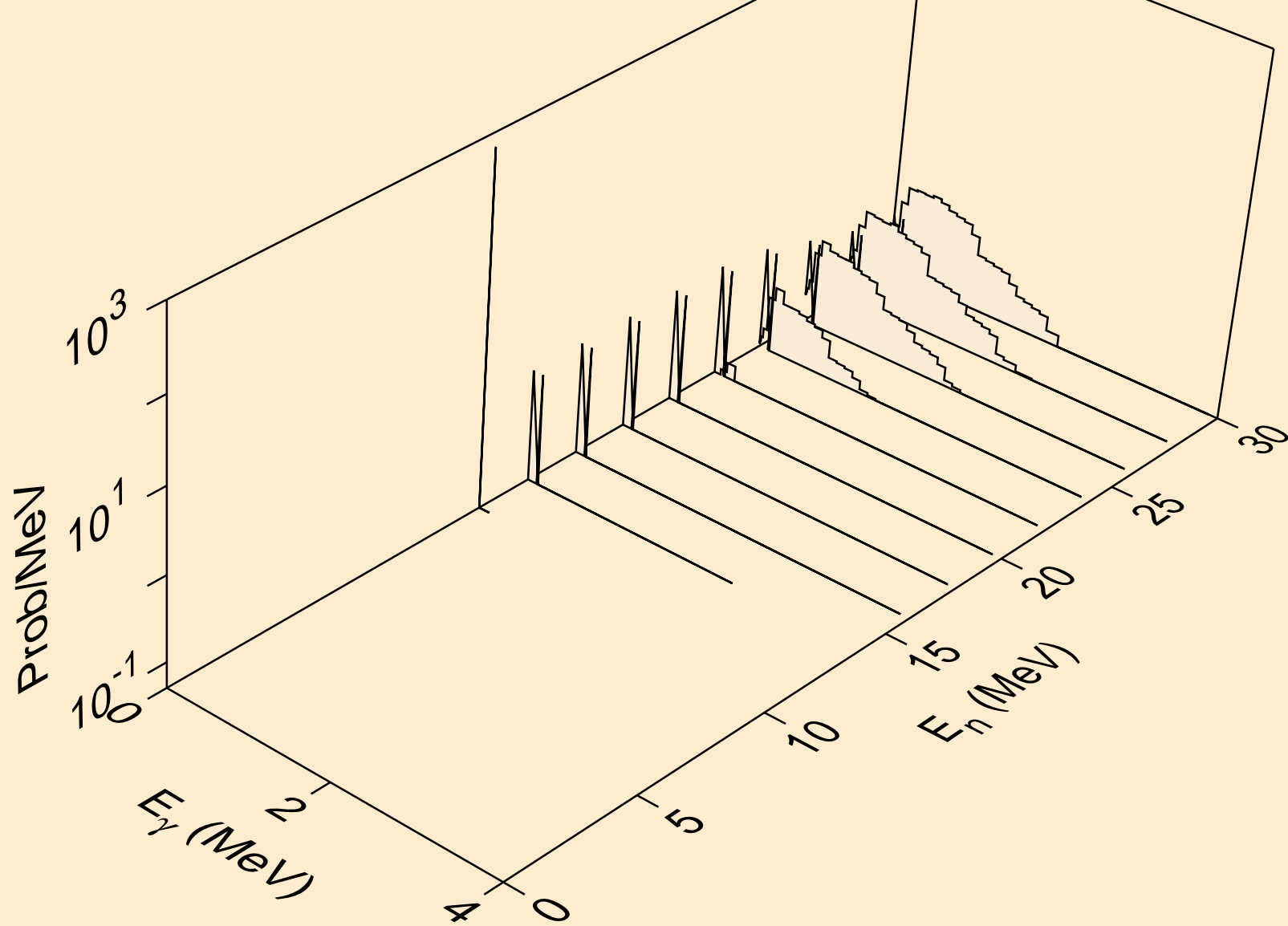
BI223 HELION ACER TENDL-2021 LIBRARY; T=0.K  
Photon emission for (n,d)



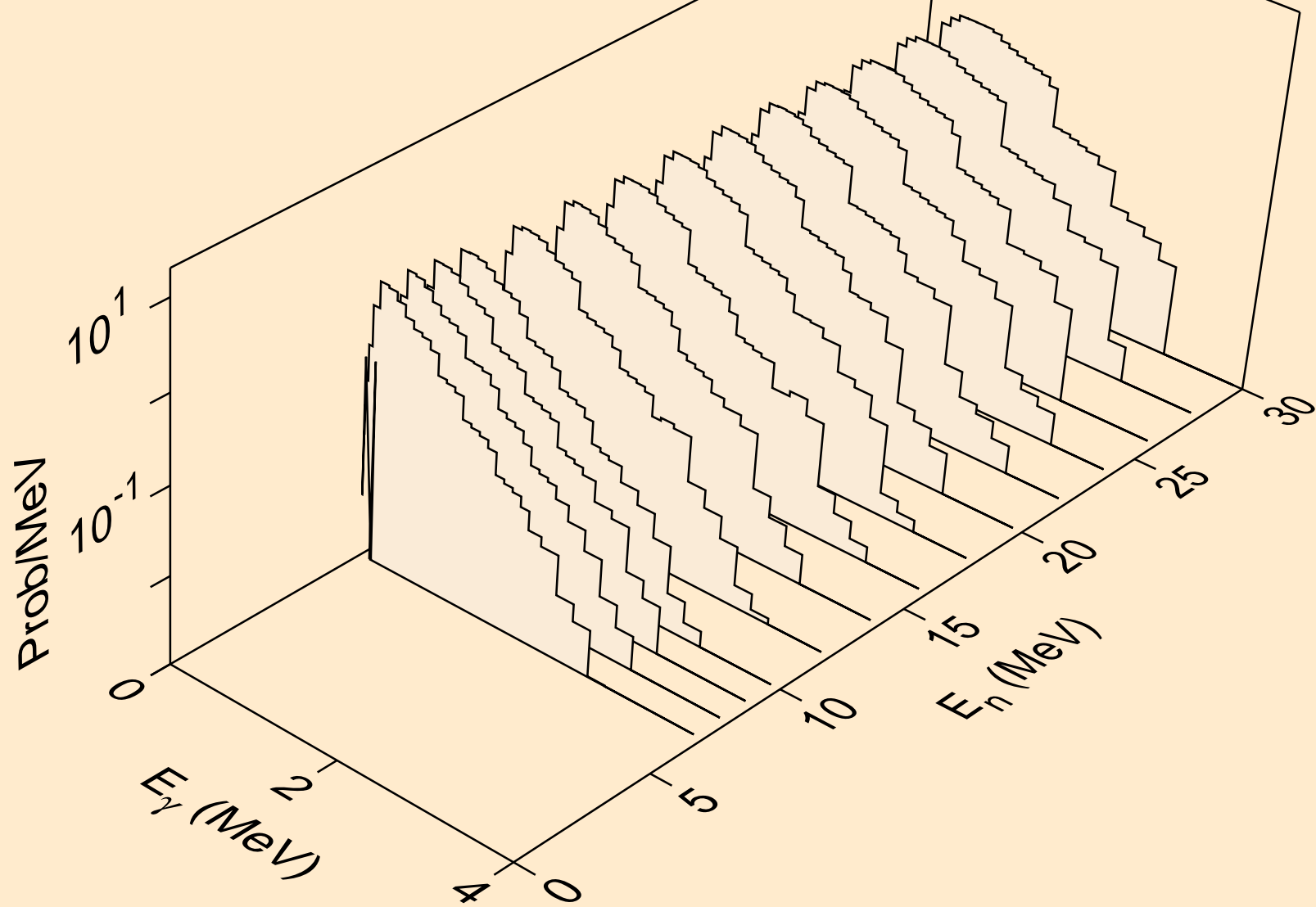
BI223 HELION ACER TENDL-2021 LIBRARY; T=0.K  
Photon emission for (n,t)



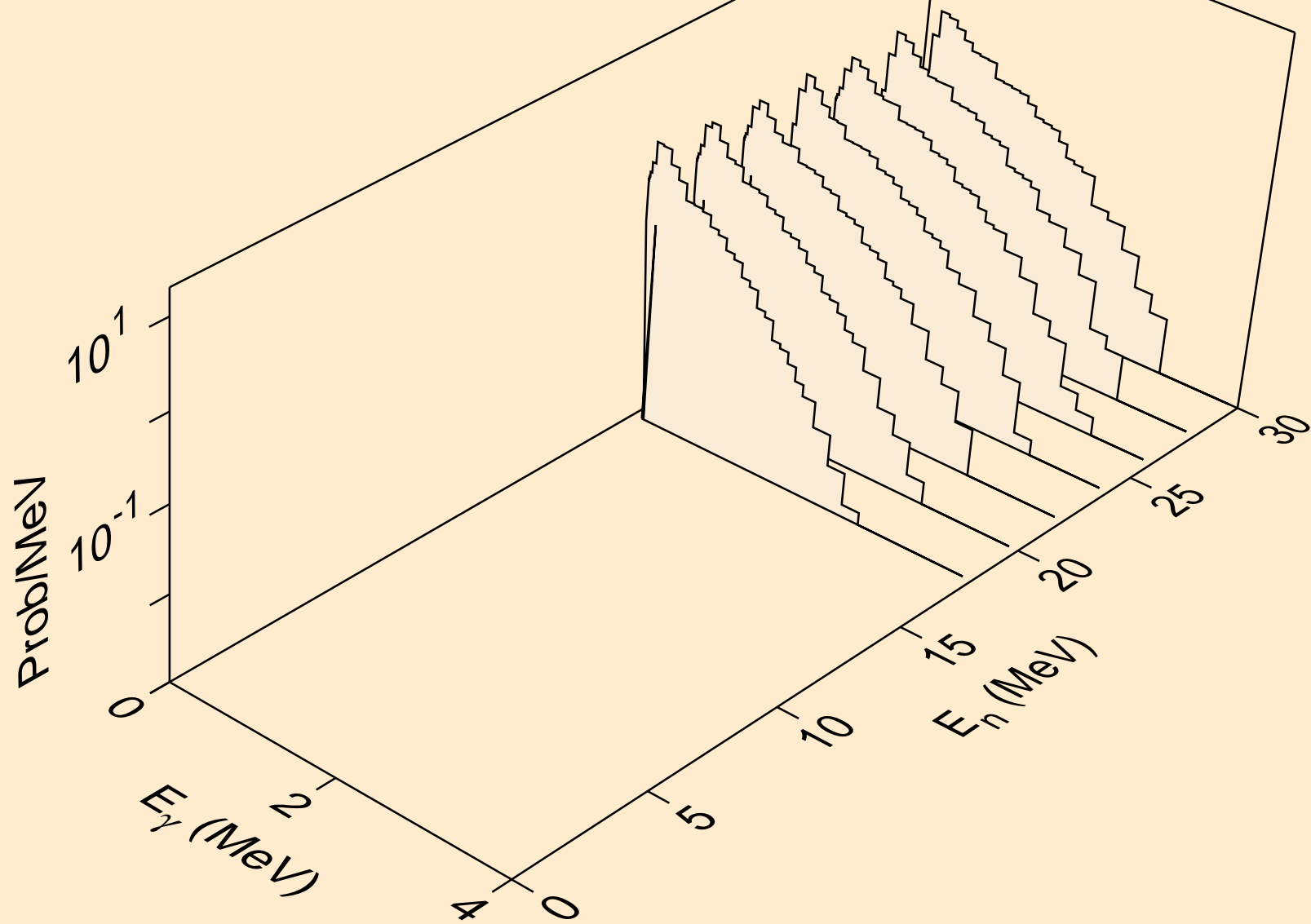
BI223 HELION ACER TENDL-2021 LIBRARY; T=0.K  
Photon emission for inelastic



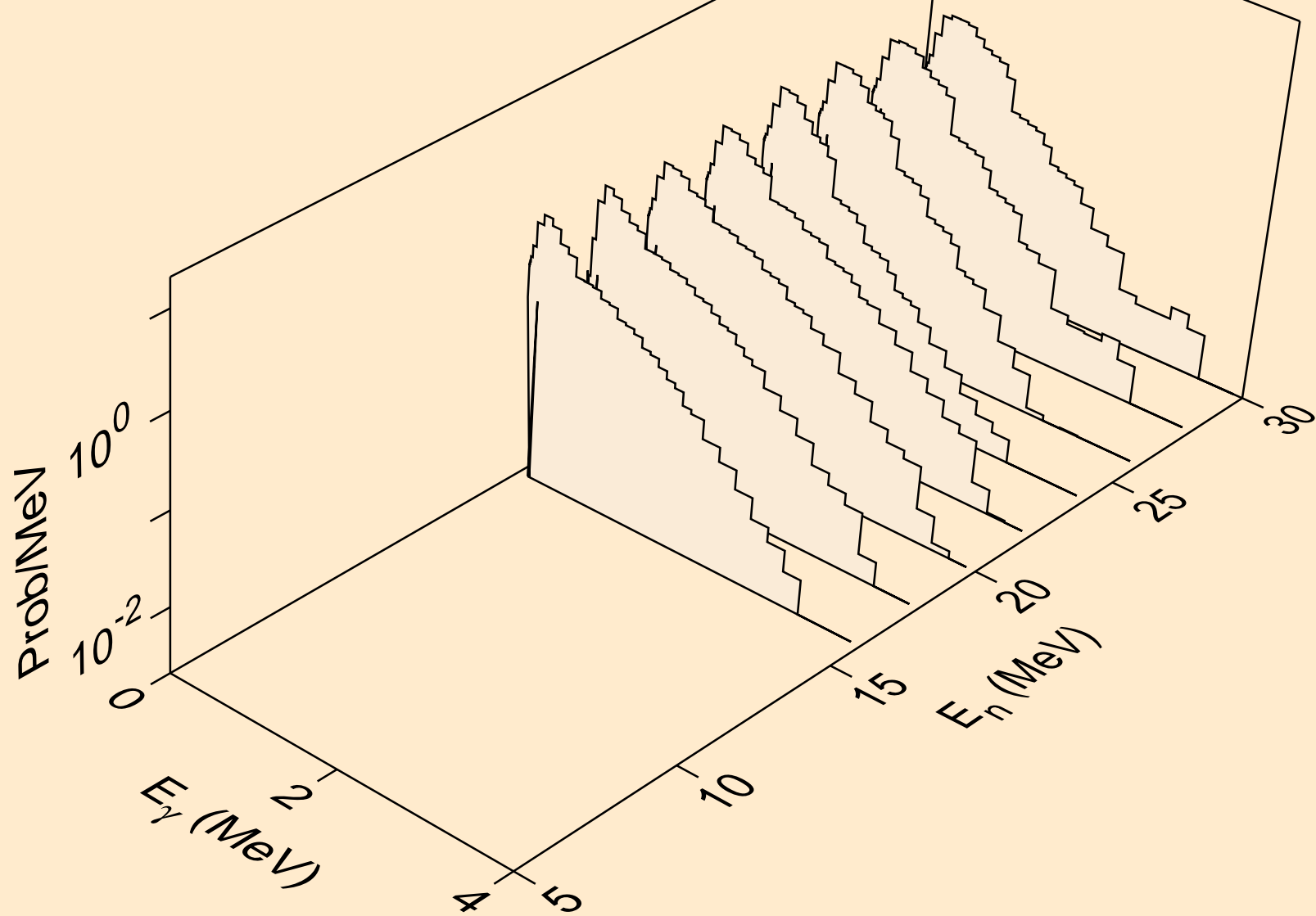
BI223 HELION ACER TENDL-2021 LIBRARY; T=0.K  
Photon emission for (n,a)



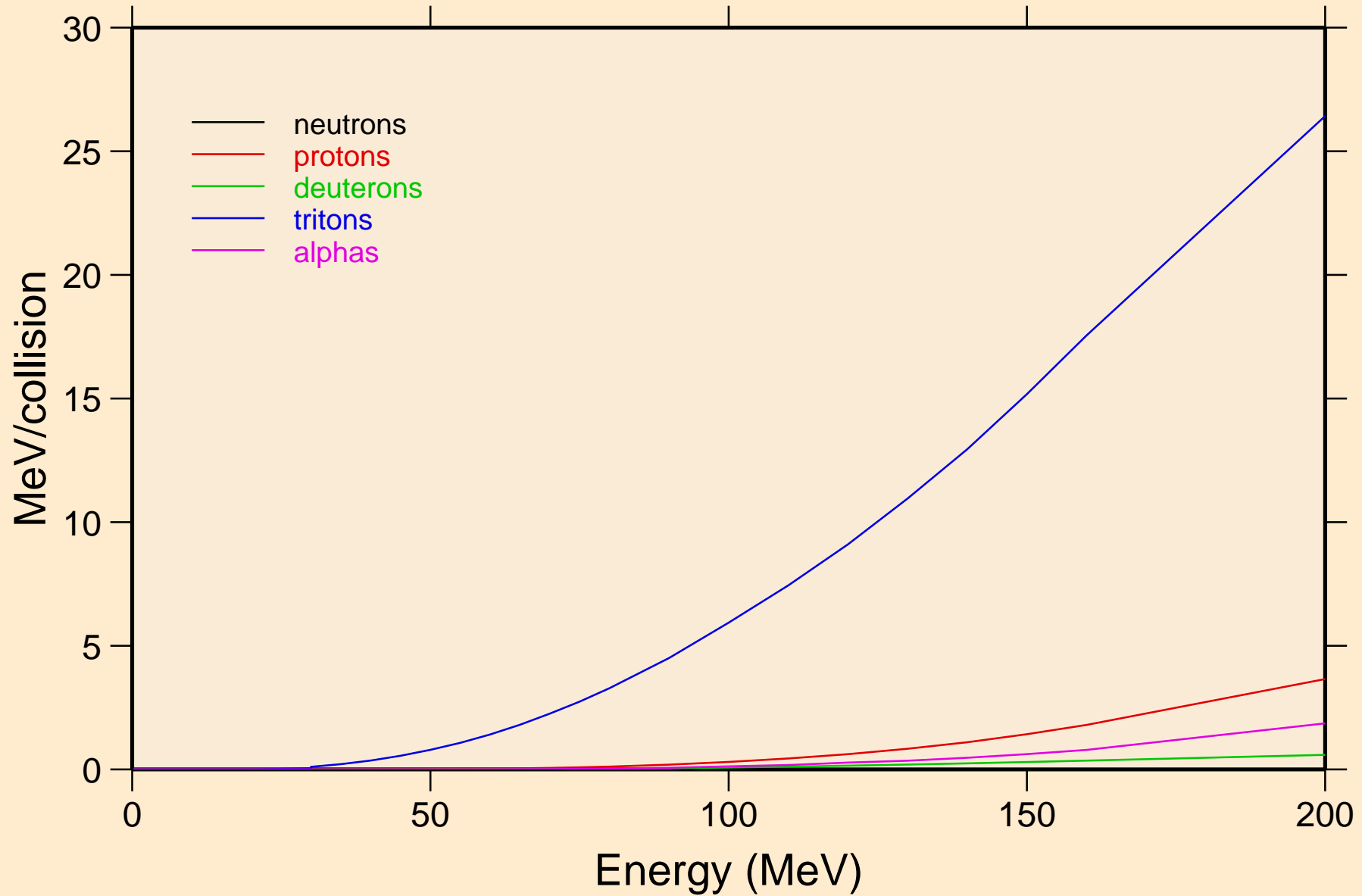
BI223 HELION ACER TENDL-2021 LIBRARY; T=0.K  
Photon emission for (n,2p)



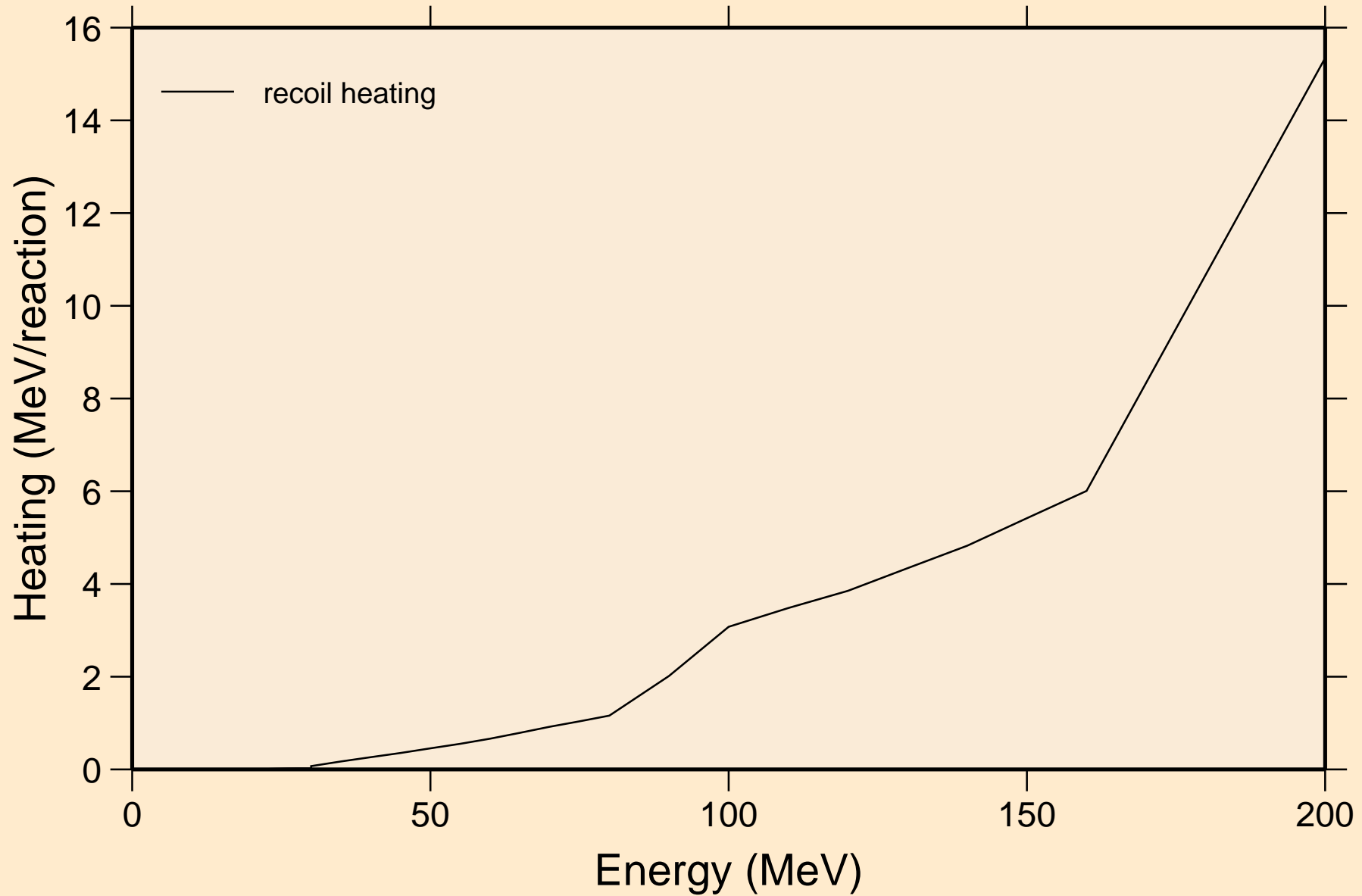
BI223 HELION ACER TENDL-2021 LIBRARY; T=0.K  
Photon emission for (n,pd)



BI223 HELION ACER TENDL-2021 LIBRARY; T=0.K  
Particle heating contributions

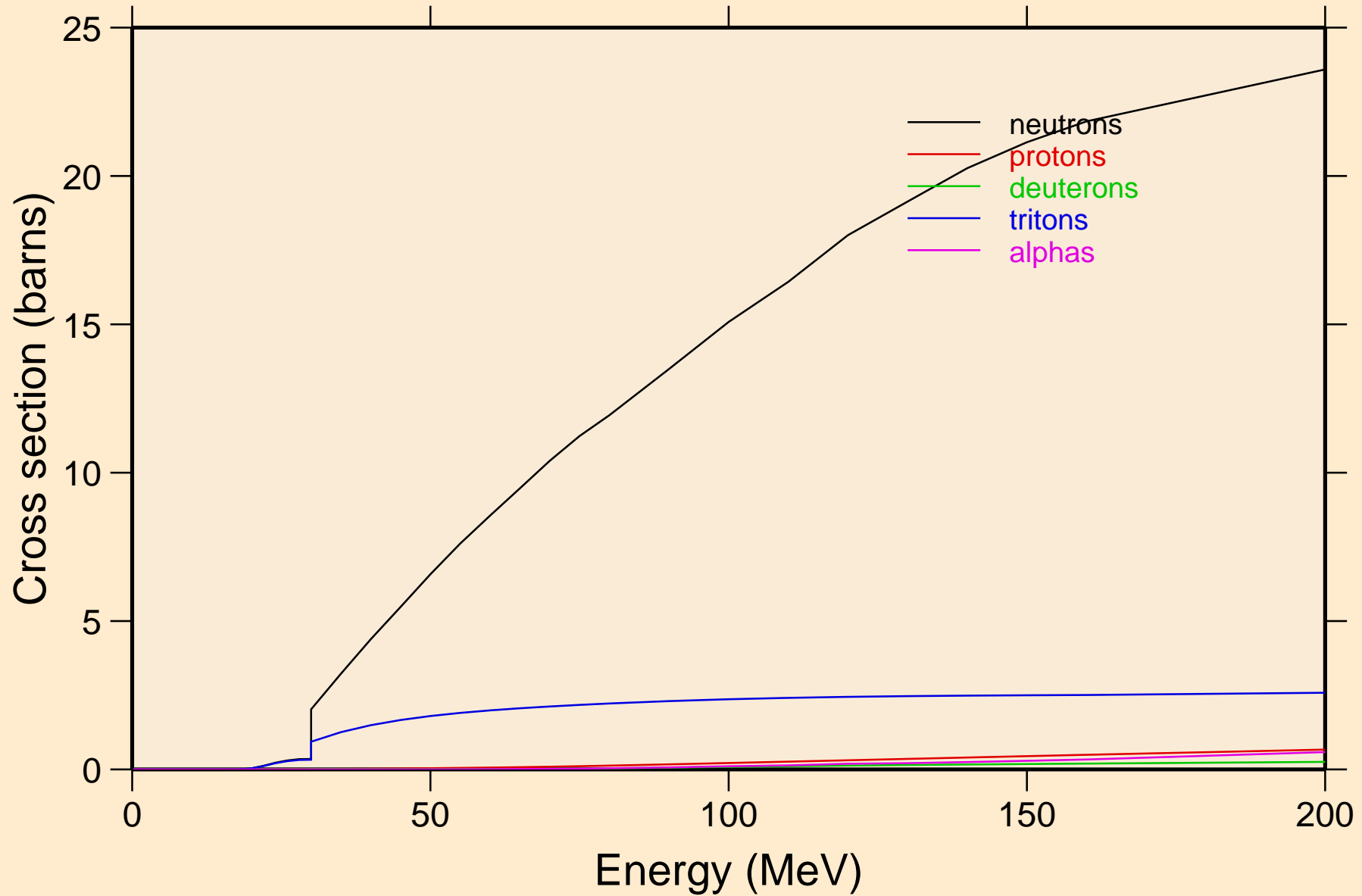


BI223 HELION ACER TENDL-2021 LIBRARY; T=0.K  
Recoil Heating

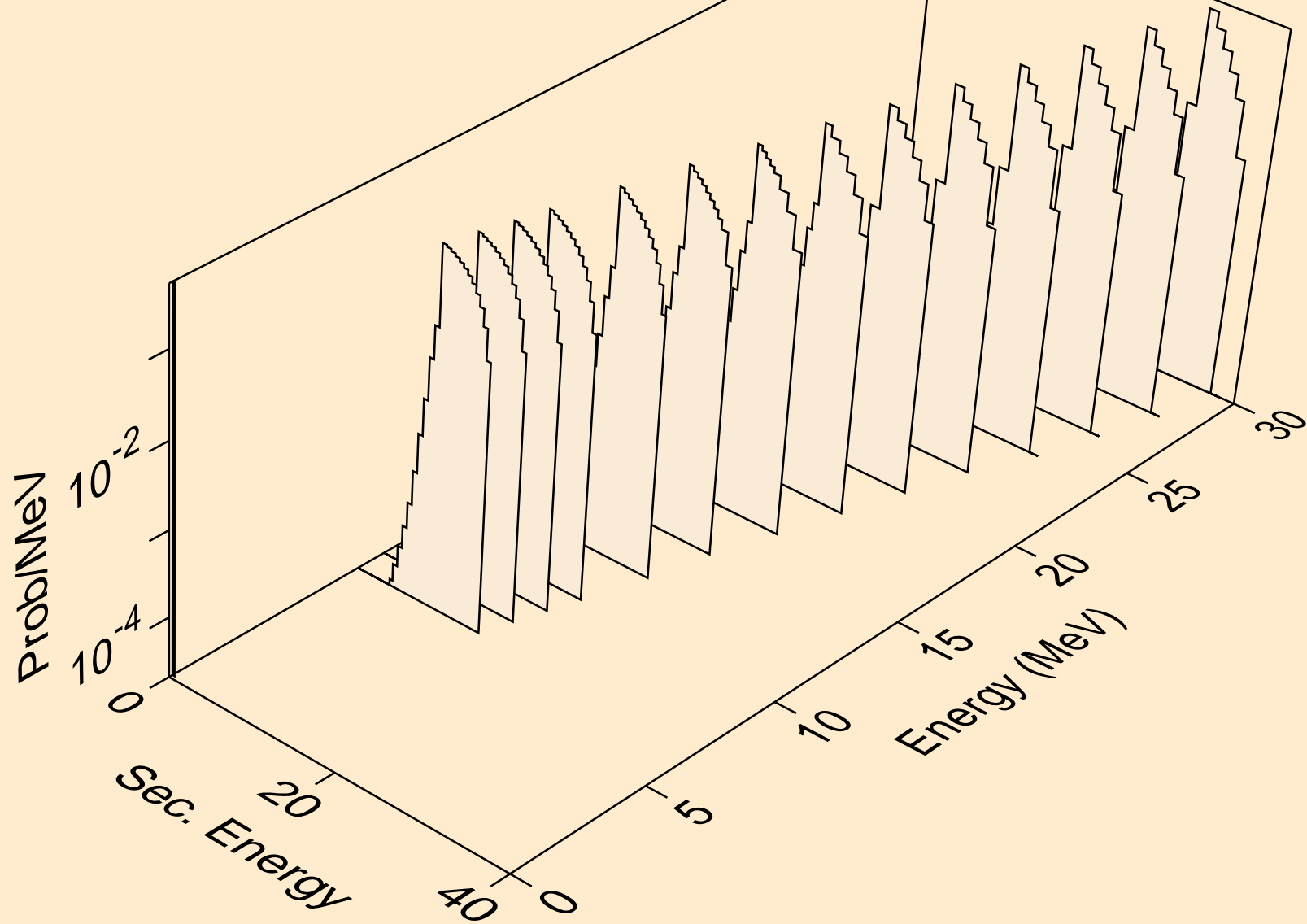




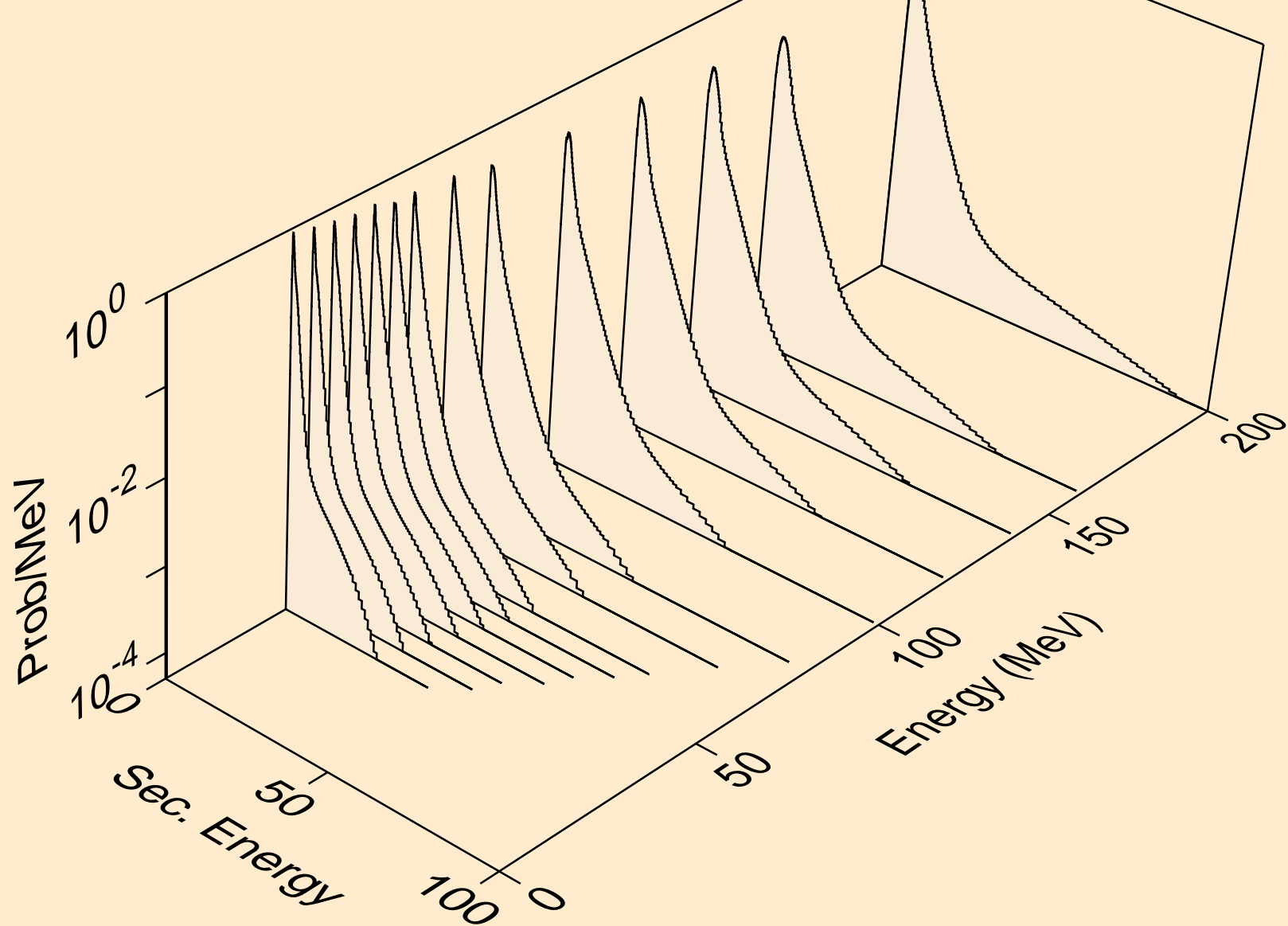
BI223 HELION ACER TENDL-2021 LIBRARY; T=0.K  
Particle production cross sections



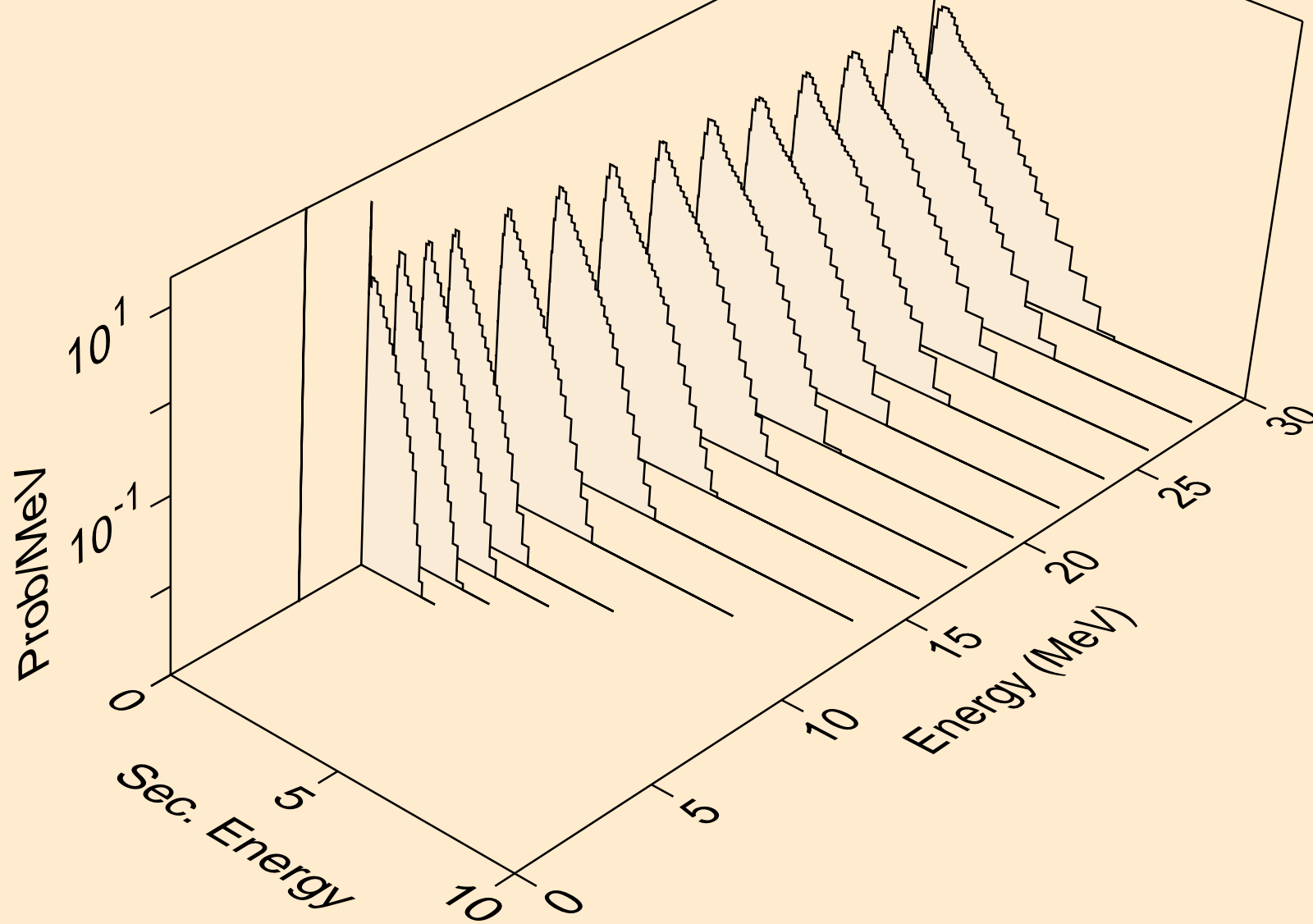
BI223 HELION ACER TENDL-2021 LIBRARY; T=0.K  
neutrons from (s,n)



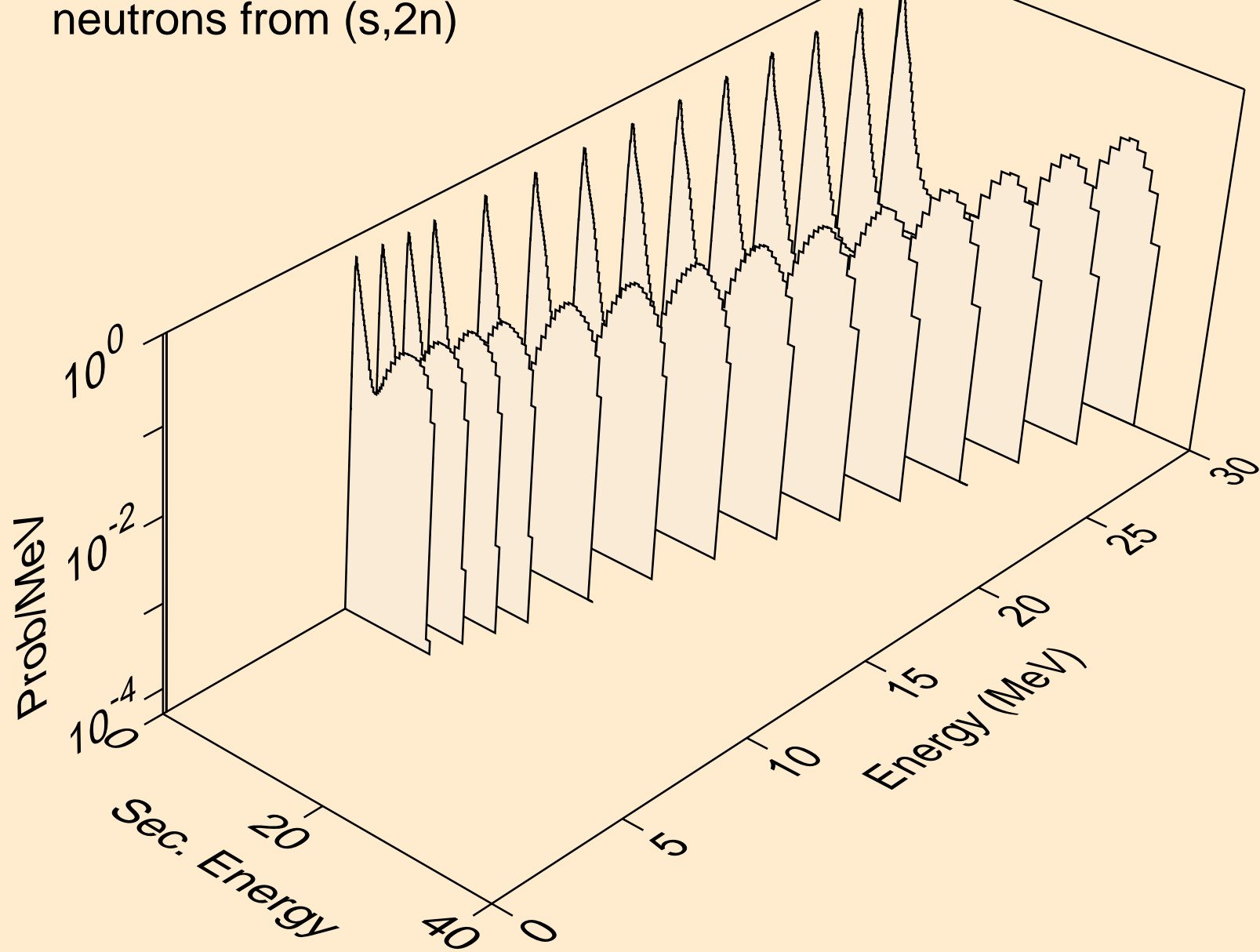
BI223 HELION ACER TENDL-2021 LIBRARY; T=0.K  
neutrons from (s,x)



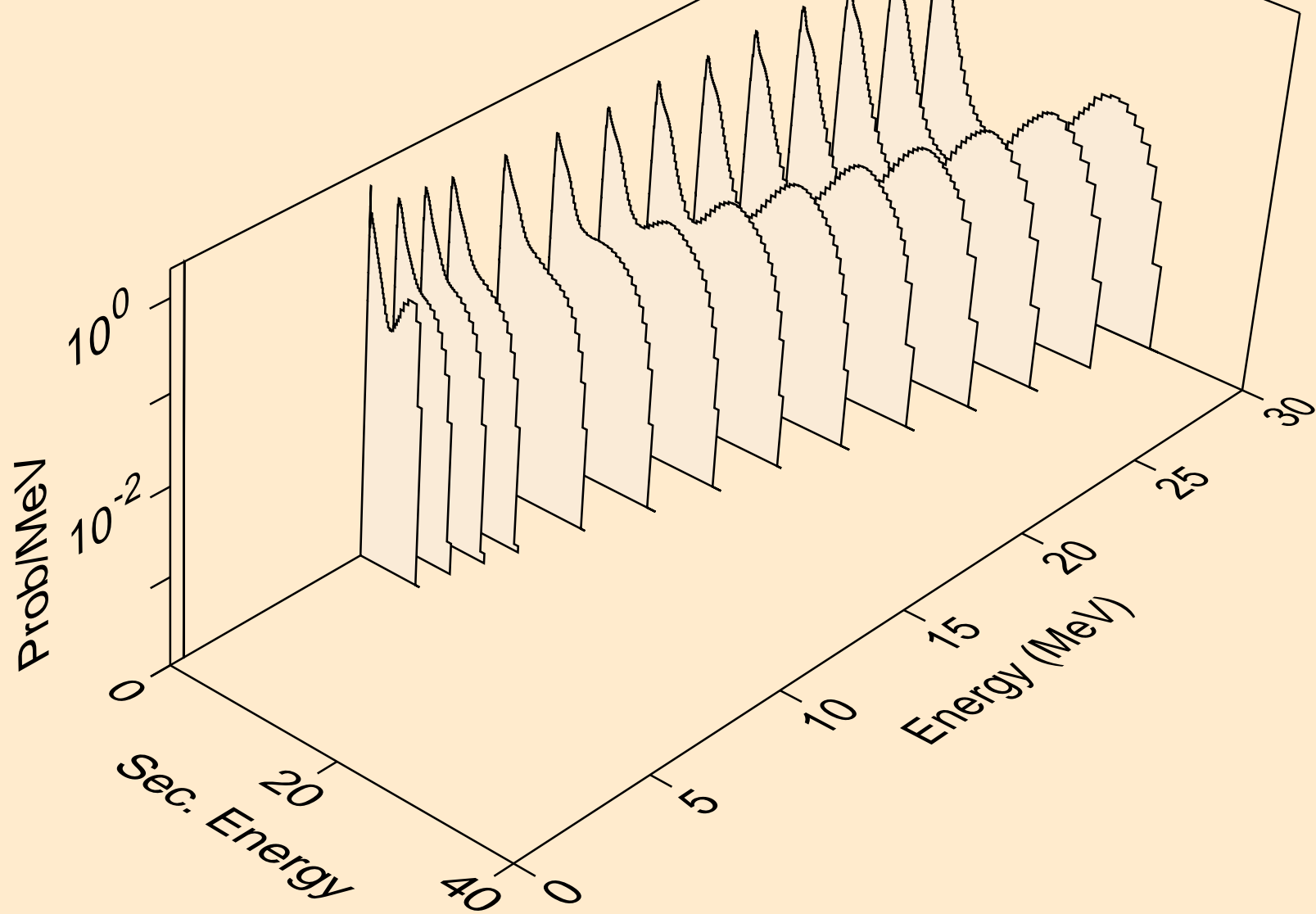
BI223 HELION ACER TENDL-2021 LIBRARY; T=0.K  
neutrons from (s,2nd)



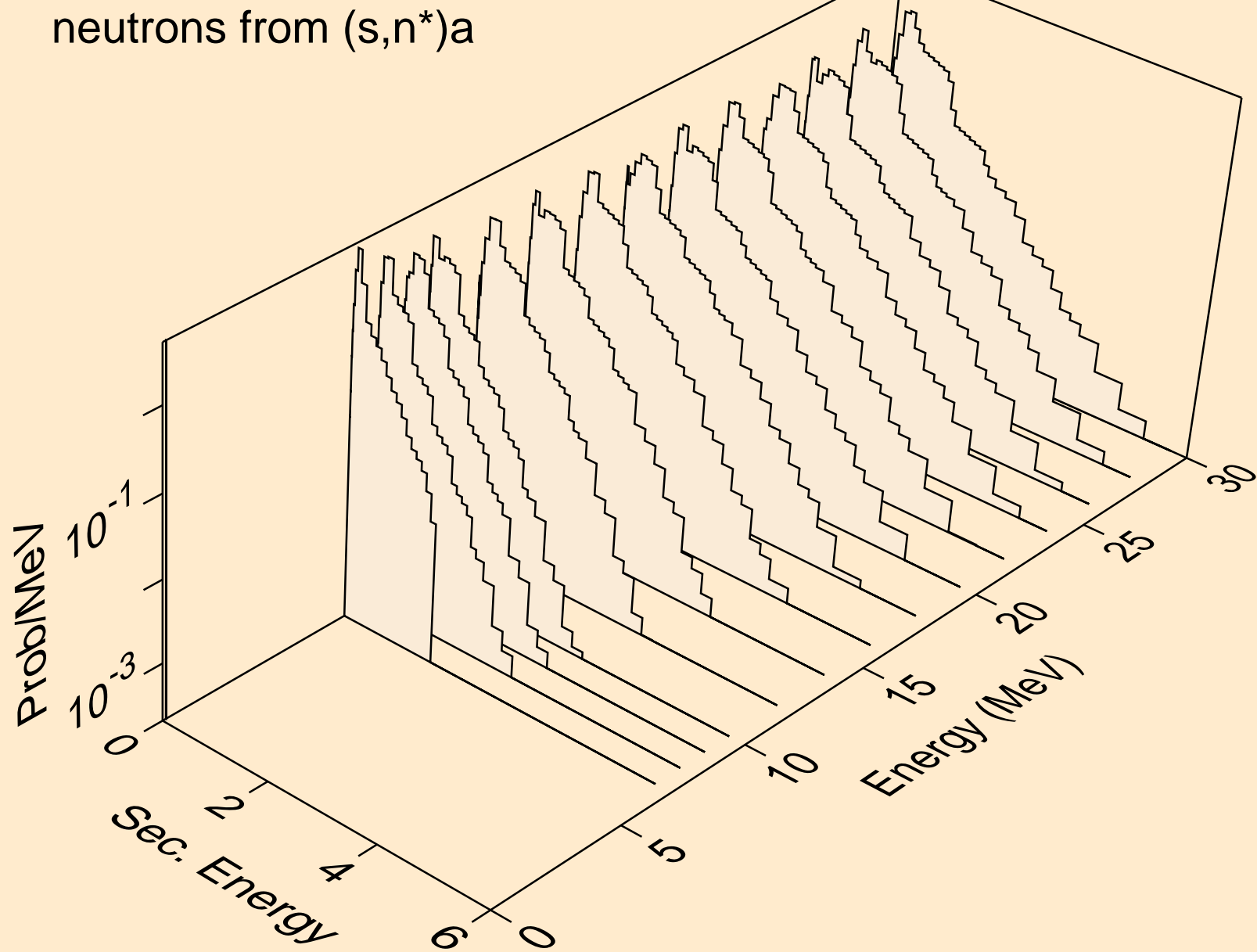
BI223 HELION ACER TENDL-2021 LIBRARY; T=0.K  
neutrons from (s,2n)



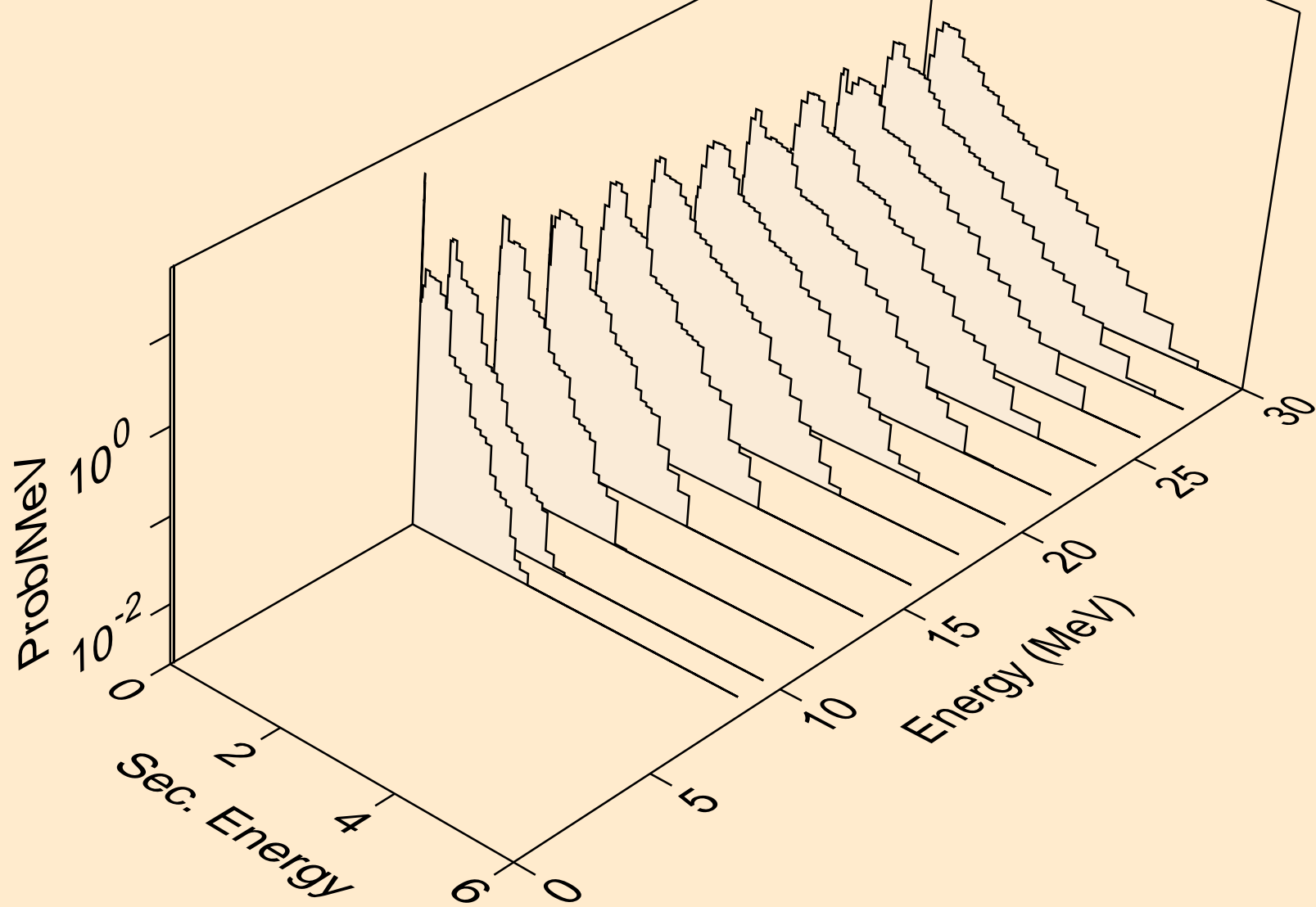
BI223 HELION ACER TENDL-2021 LIBRARY; T=0.K  
neutrons from (s,3n)



BI223 HELION ACER TENDL-2021 LIBRARY; T=0.K  
neutrons from (s,n\*)a

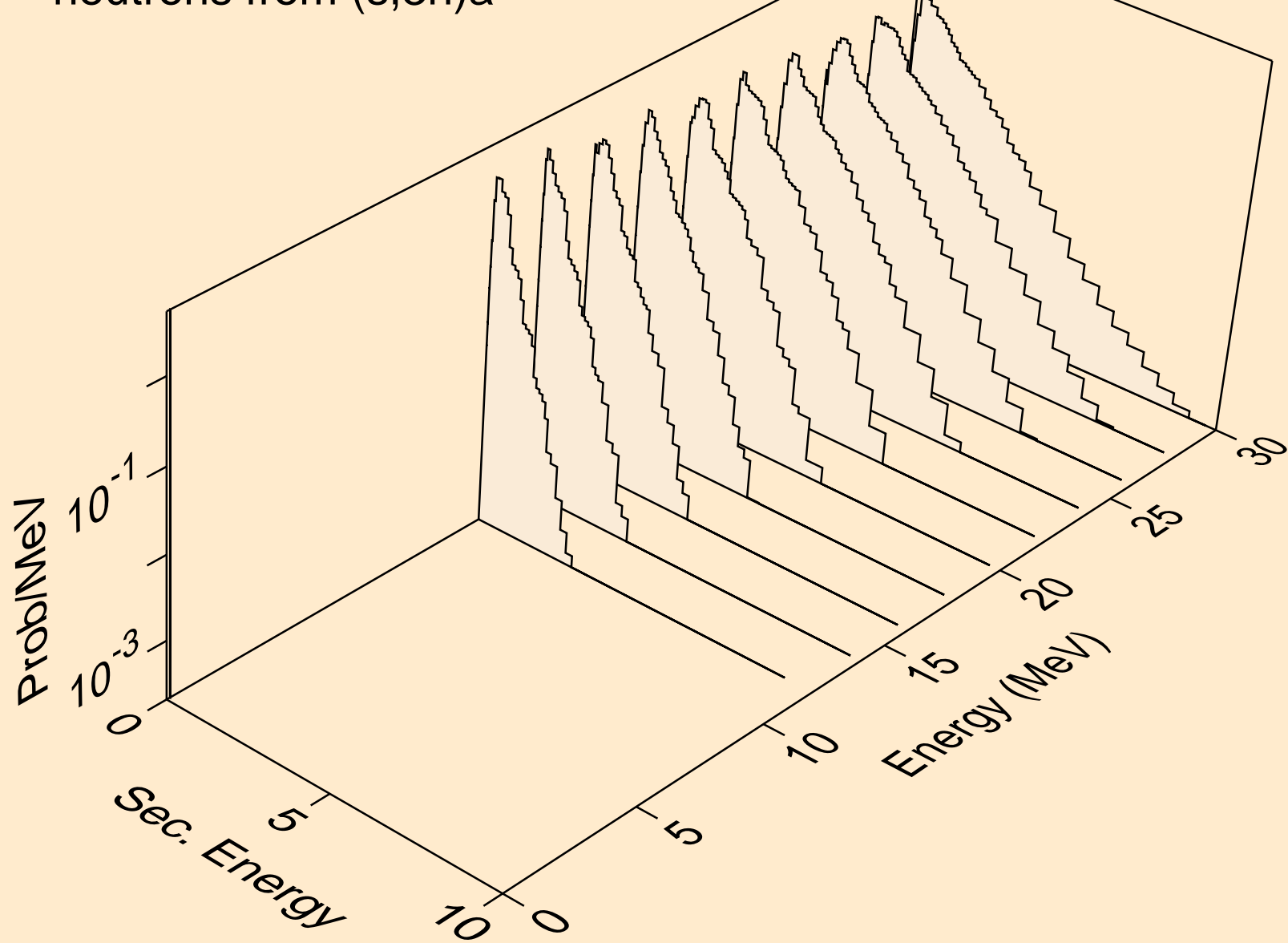


BI223 HELION ACER TENDL-2021 LIBRARY; T=0.K  
neutrons from (s,2n)a

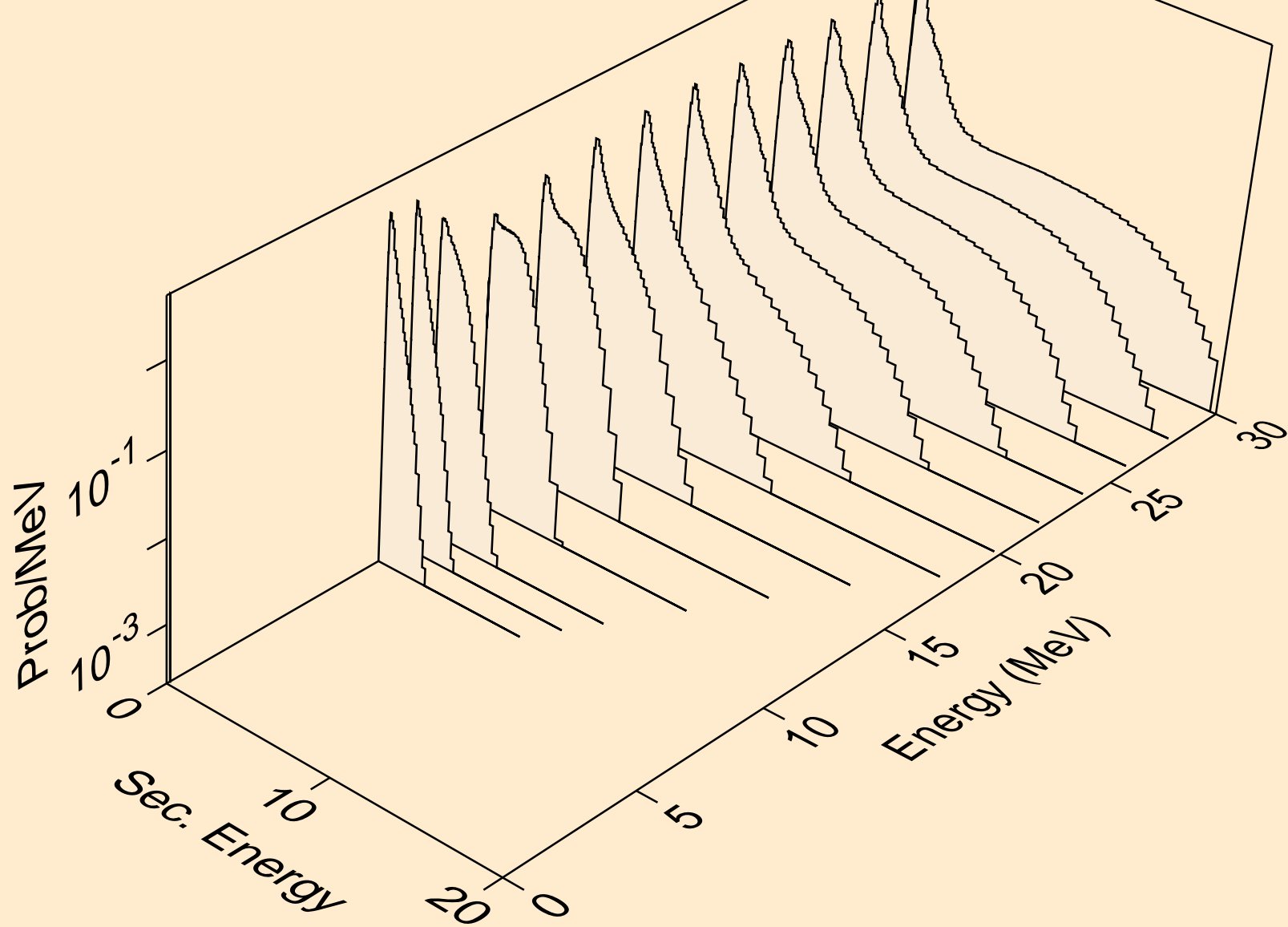




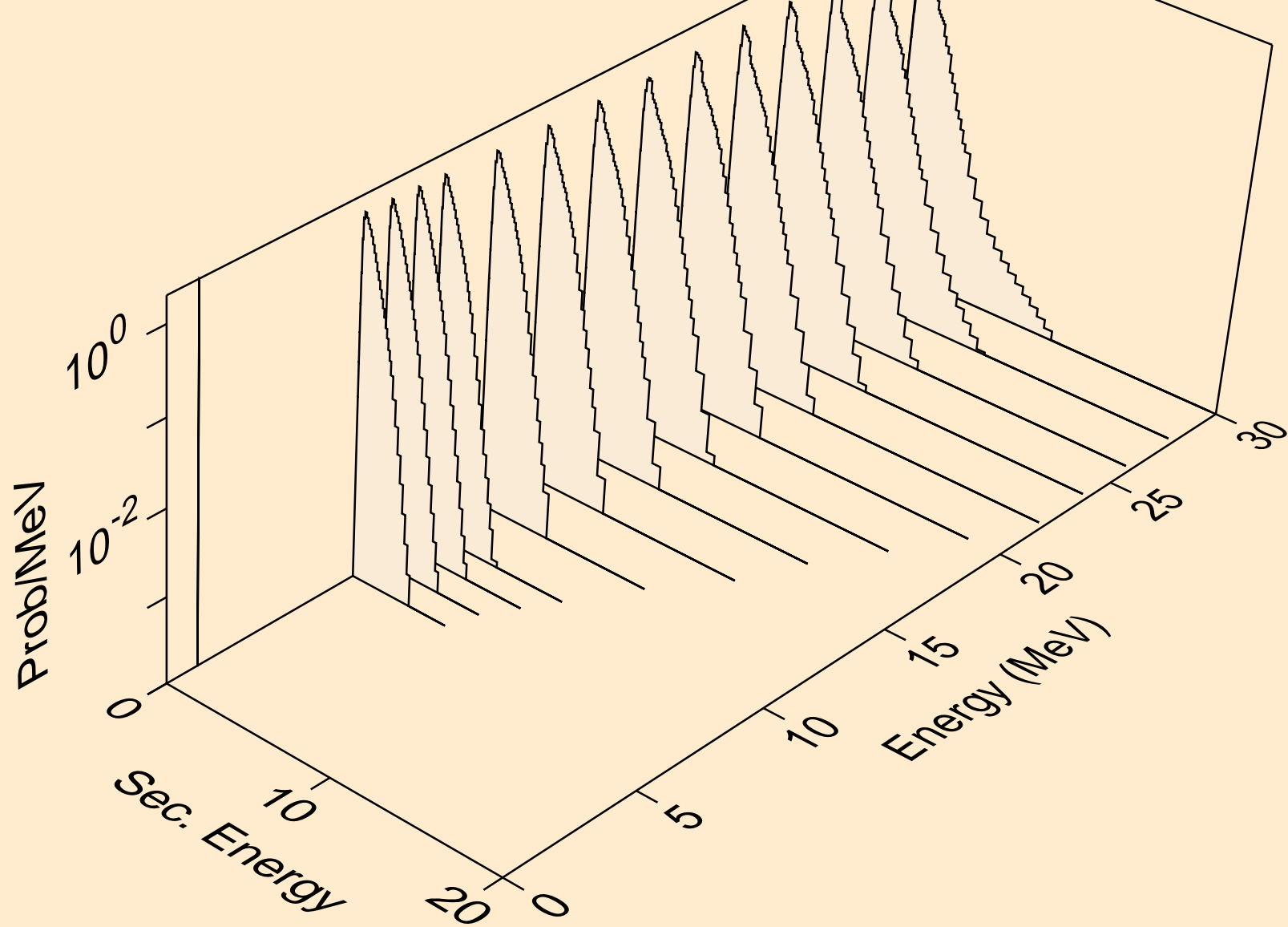
BI223 HELION ACER TENDL-2021 LIBRARY; T=0.K  
neutrons from (s,3n)a



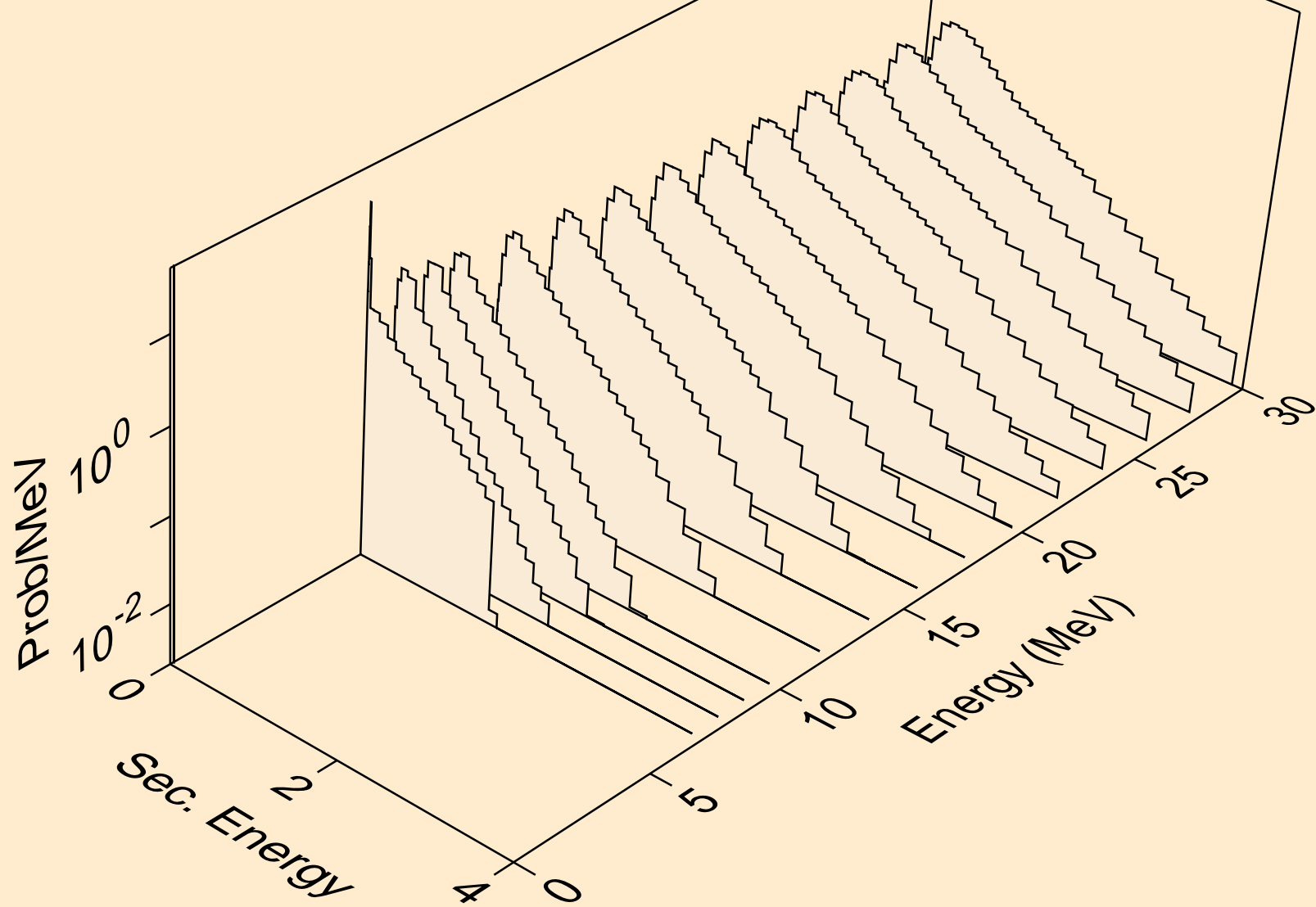
BI223 HELION ACER TENDL-2021 LIBRARY; T=0.K  
neutrons from (s,n\*)p



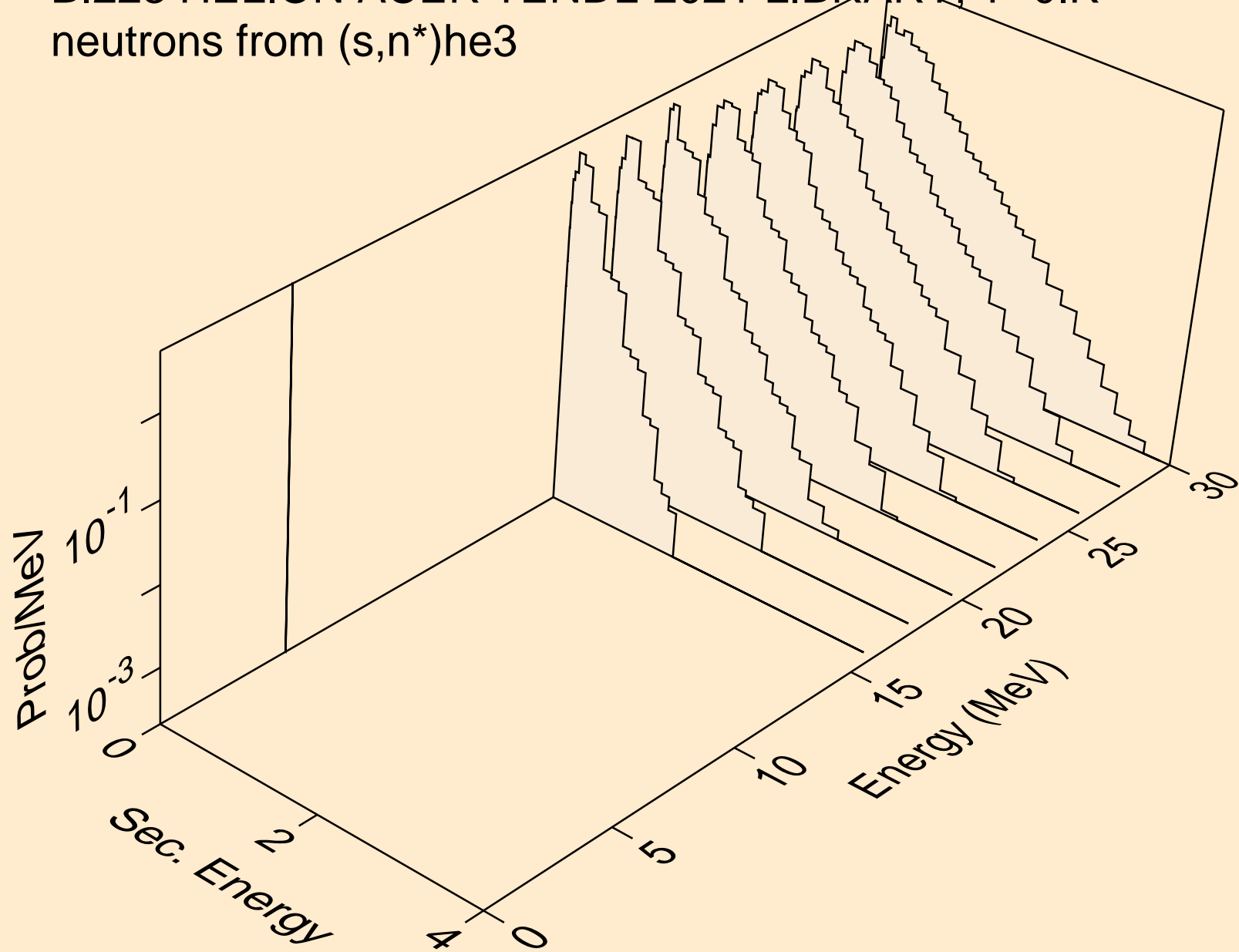
BI223 HELION ACER TENDL-2021 LIBRARY; T=0.K  
neutrons from (s,n\*)d



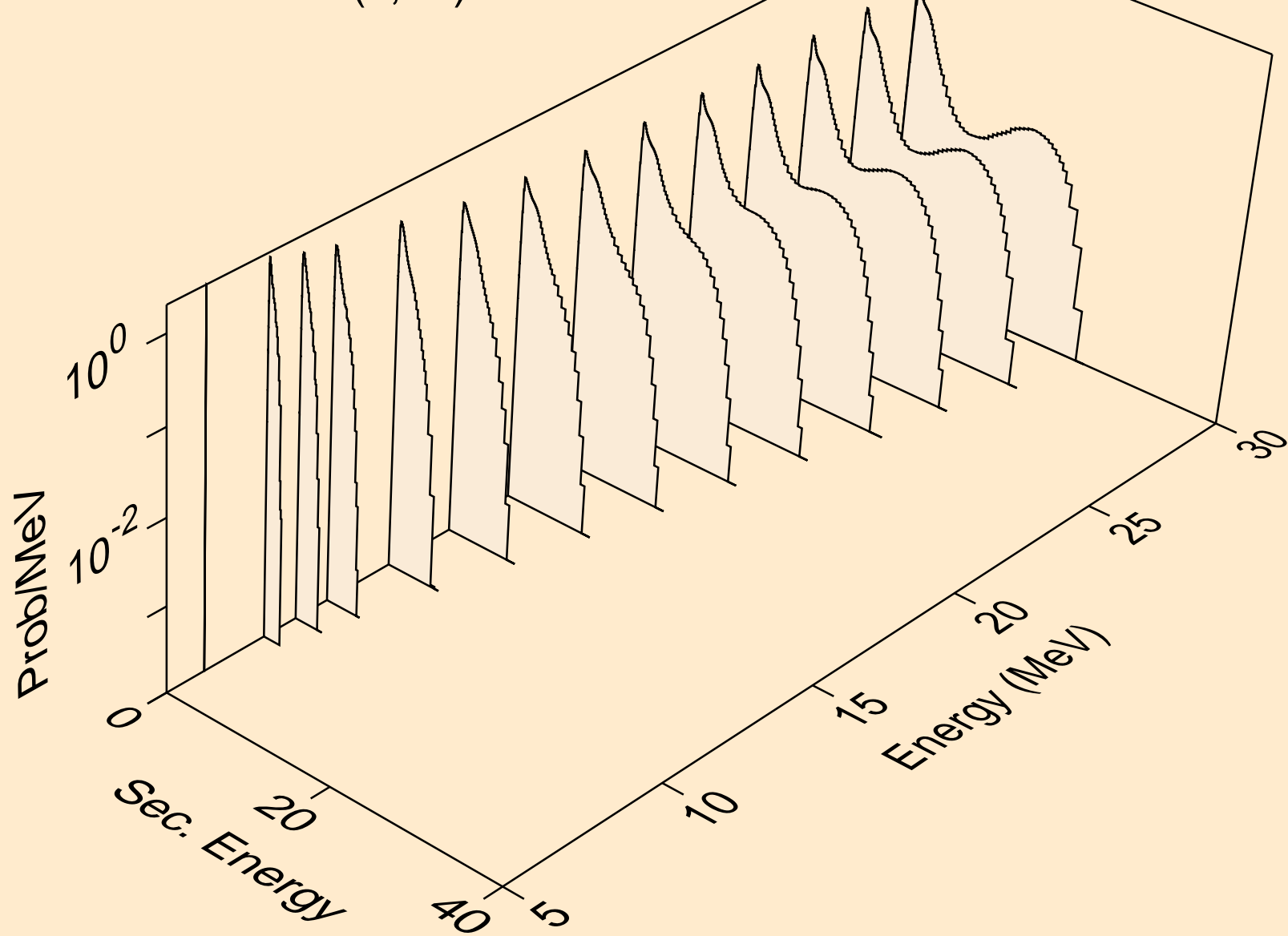
BI223 HELION ACER TENDL-2021 LIBRARY; T=0.K  
neutrons from (s,n\*)t



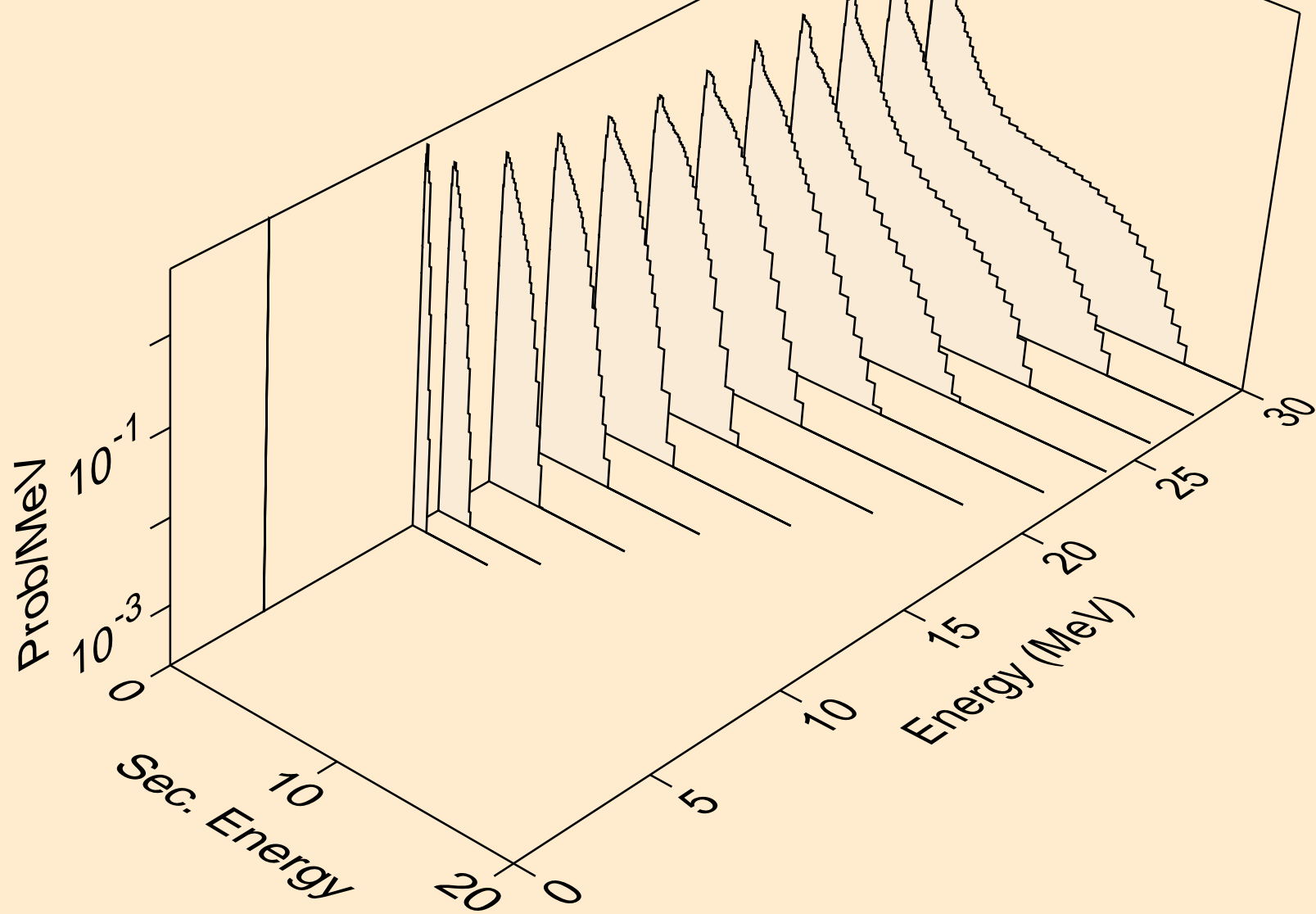
BI223 HELION ACER TENDL-2021 LIBRARY; T=0.K  
neutrons from (s,n\*)he3



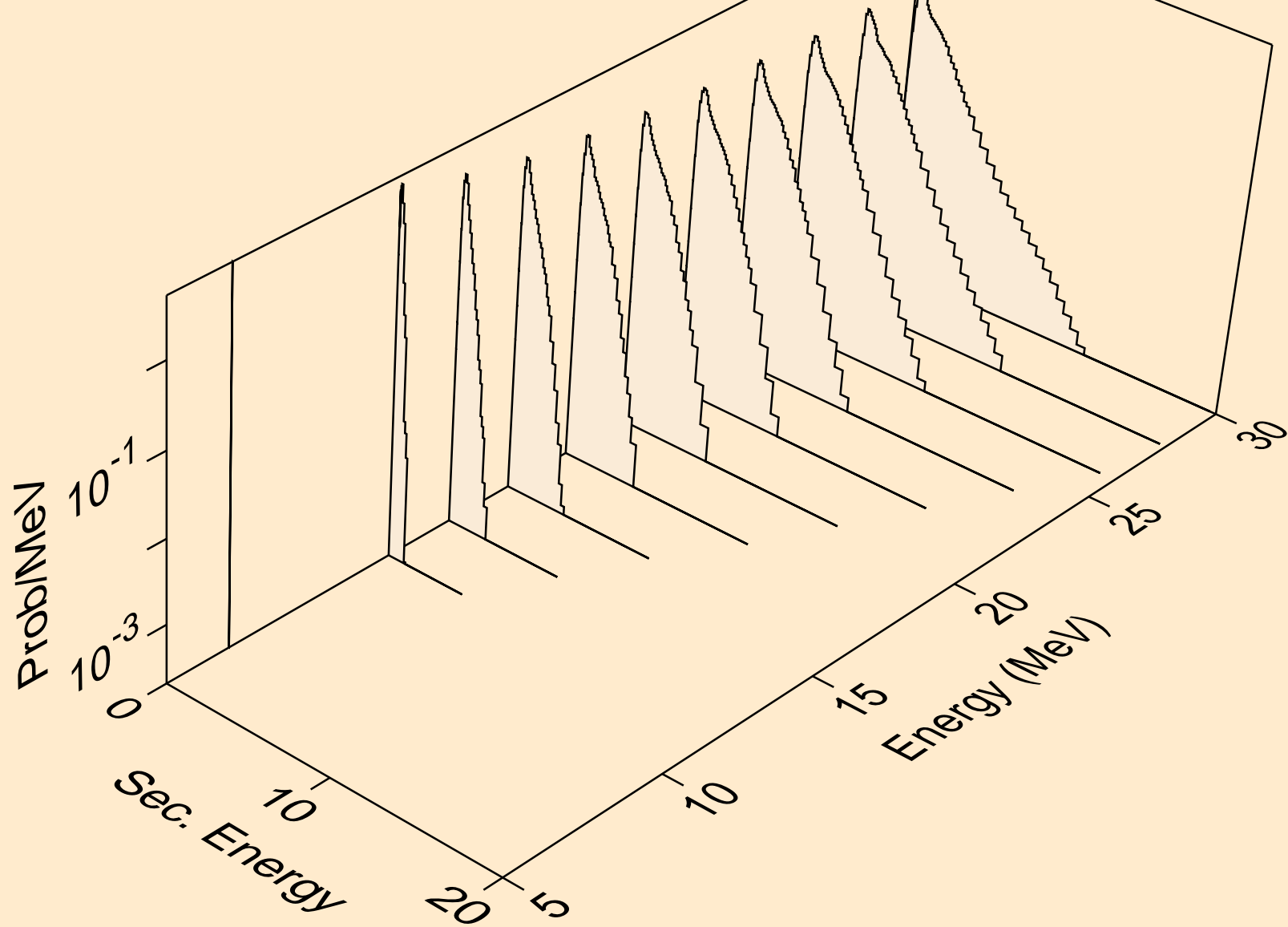
BI223 HELION ACER TENDL-2021 LIBRARY; T=0.K  
neutrons from (s,4n)



BI223 HELION ACER TENDL-2021 LIBRARY; T=0.K  
neutrons from (s,2np)

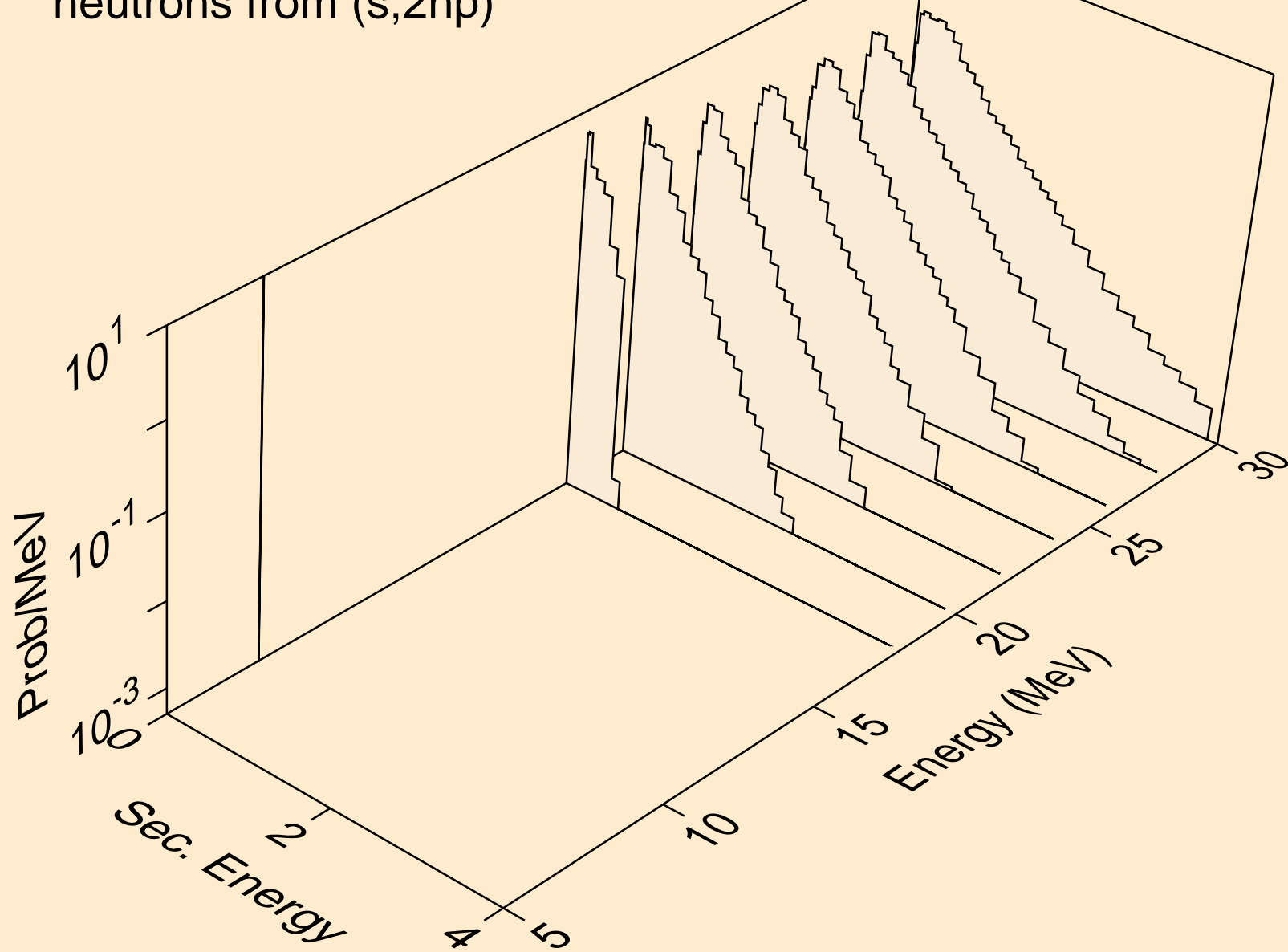


BI223 HELION ACER TENDL-2021 LIBRARY; T=0.K  
neutrons from (s,3np)

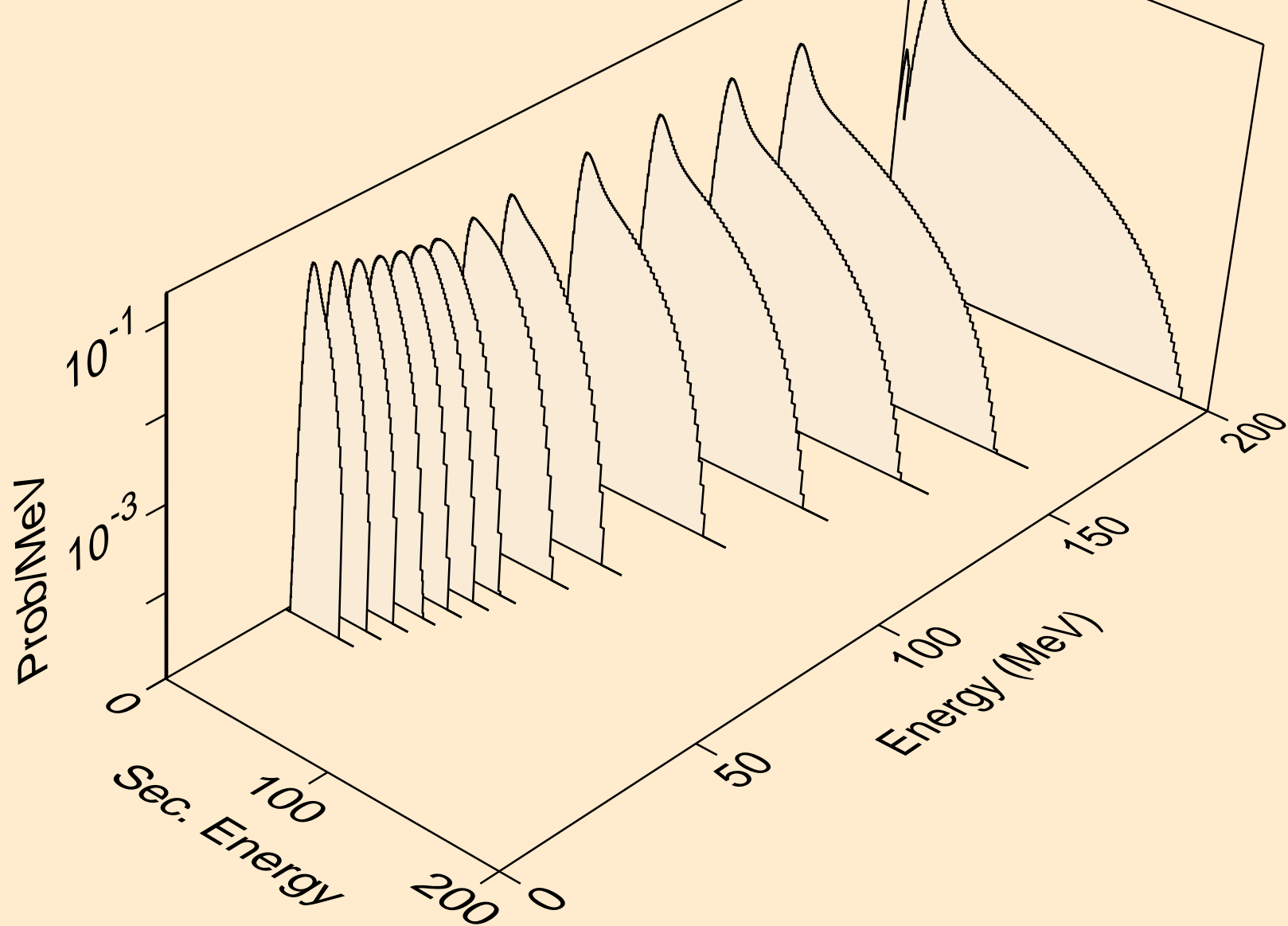




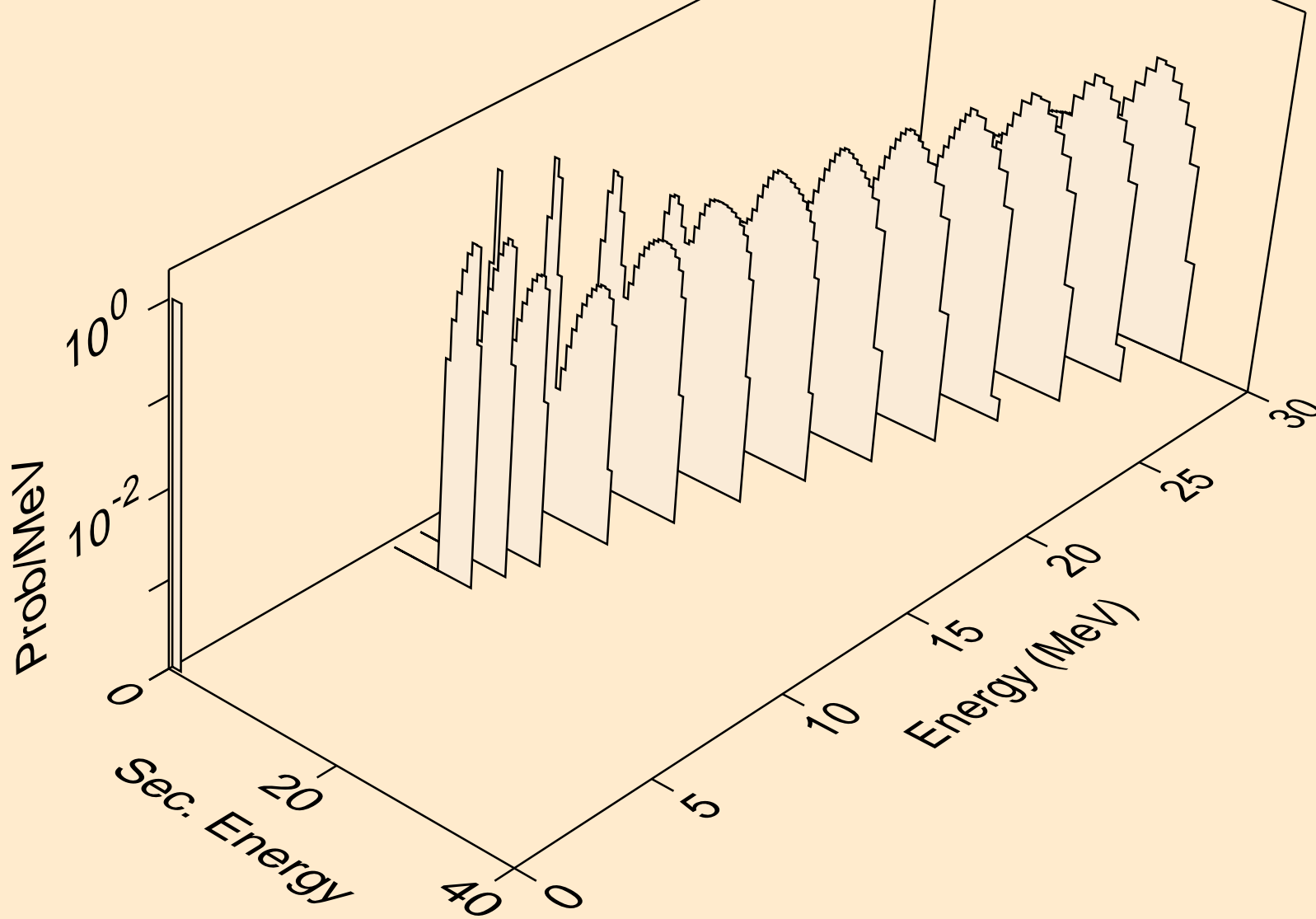
BI223 HELION ACER TENDL-2021 LIBRARY; T=0.K  
neutrons from (s,2np)



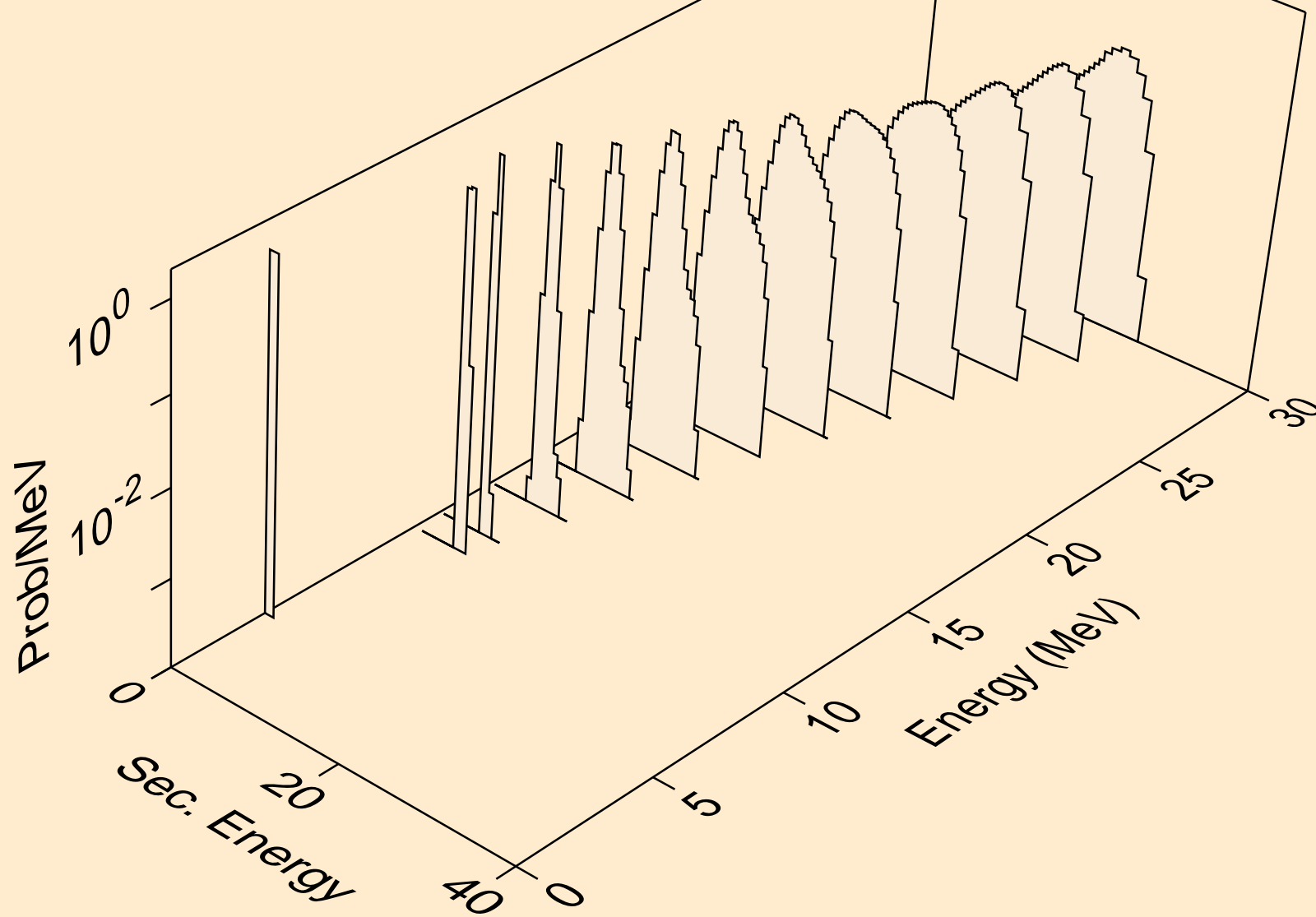
BI223 HELION ACER TENDL-2021 LIBRARY; T=0.K  
protons from (s,x)



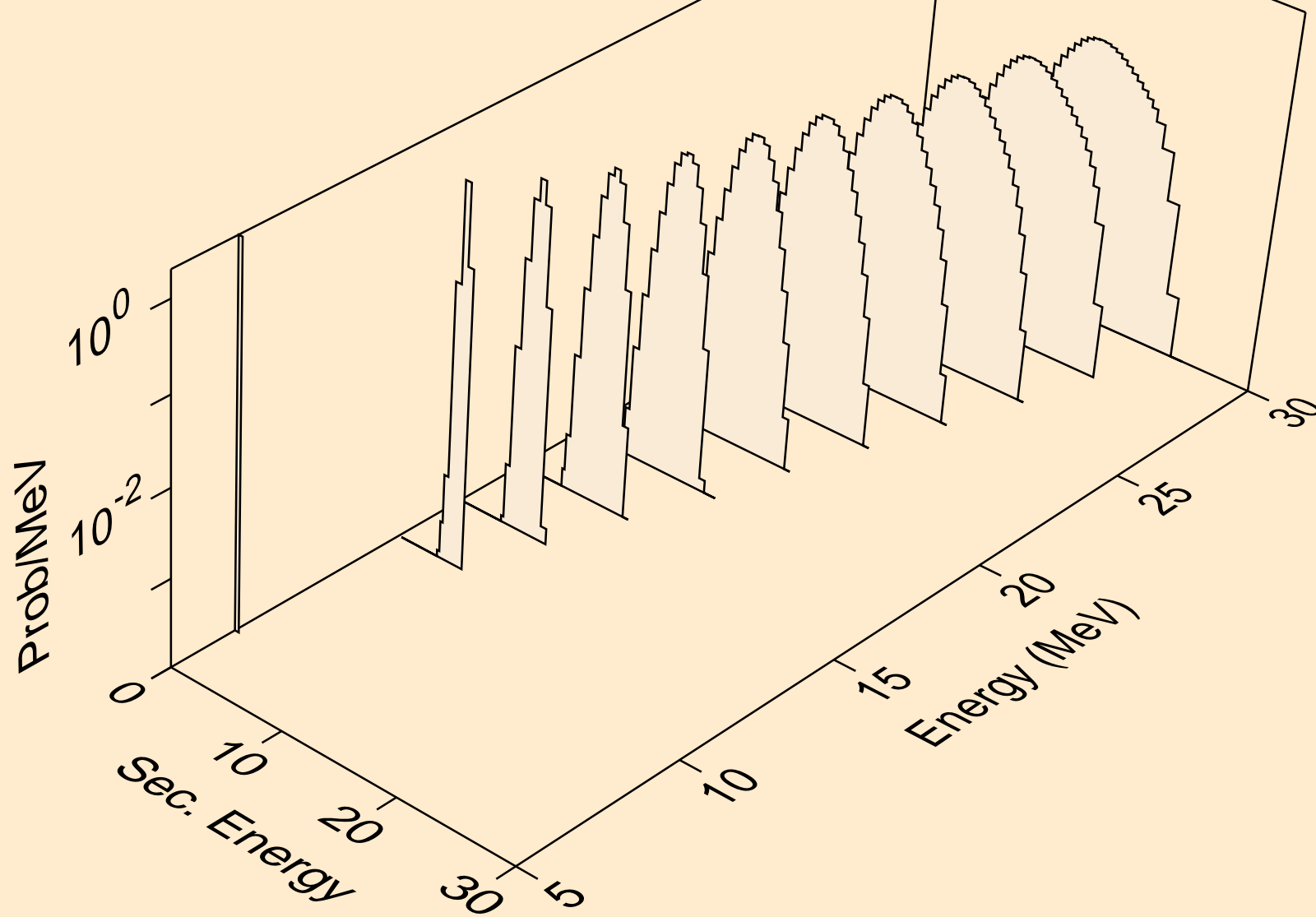
BI223 HELION ACER TENDL-2021 LIBRARY; T=0.K  
protons from (s,n\*)p



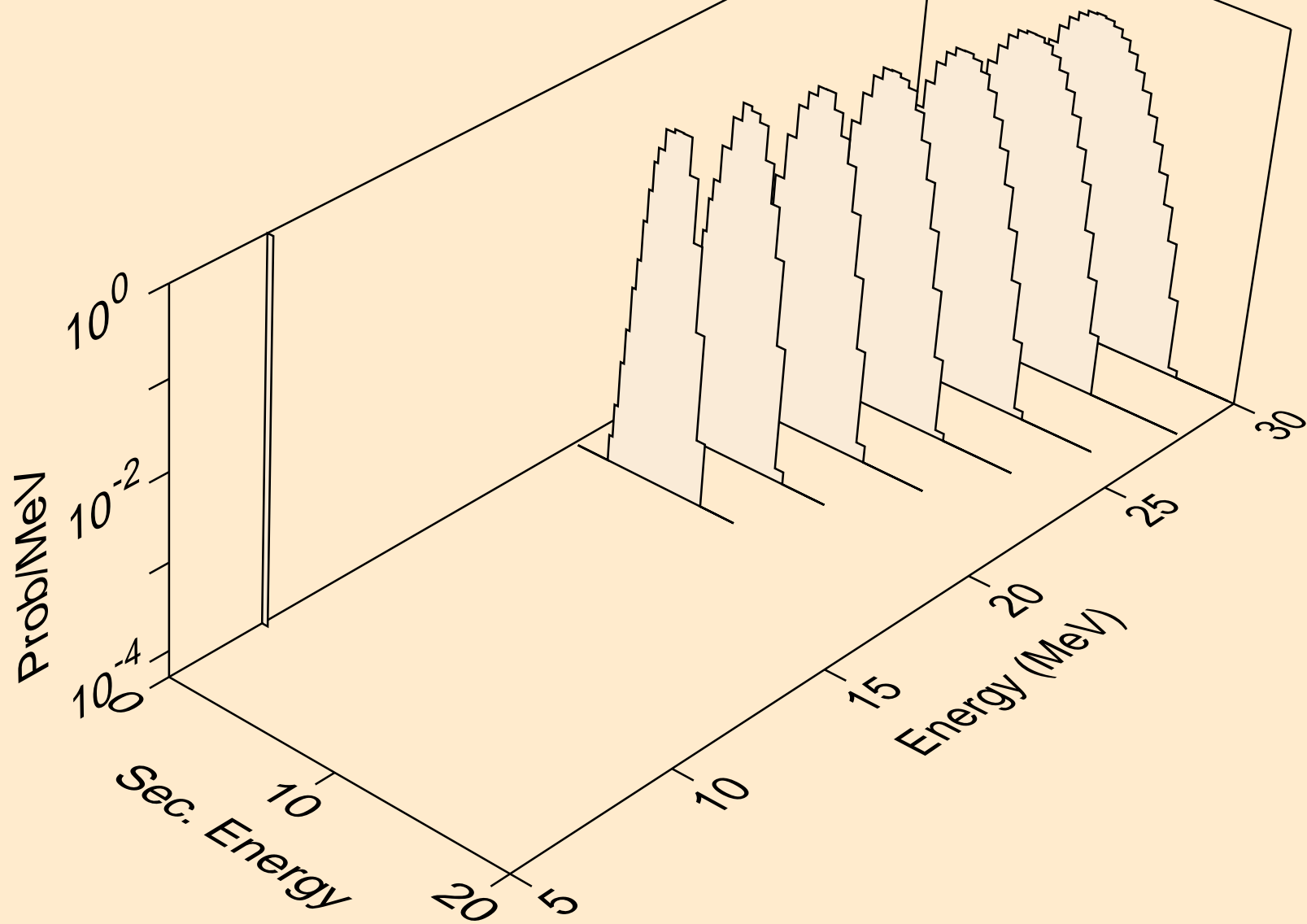
BI223 HELION ACER TENDL-2021 LIBRARY; T=0.K  
protons from (s,2np)



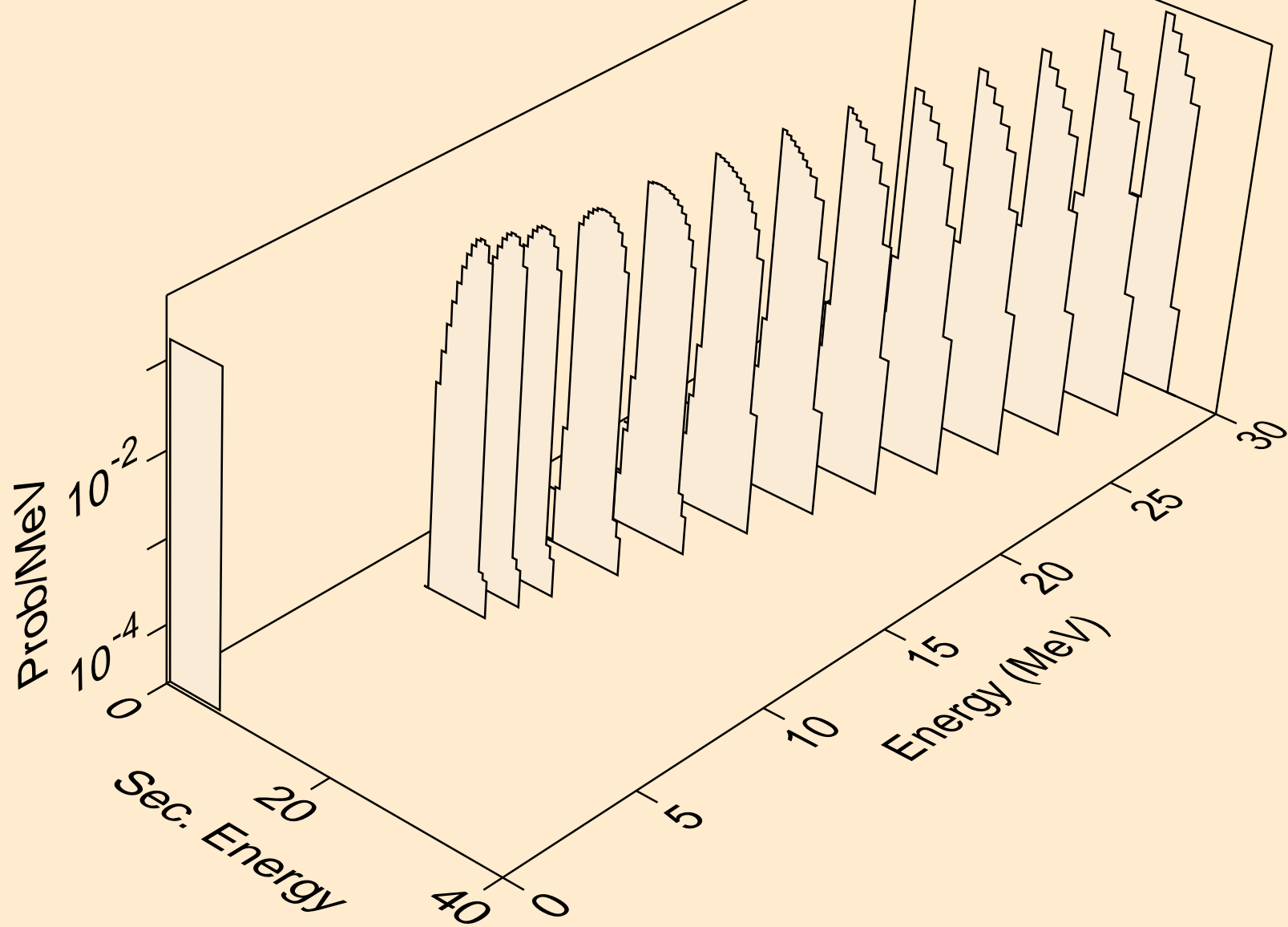
BI223 HELION ACER TENDL-2021 LIBRARY; T=0.K  
protons from (s,3np)



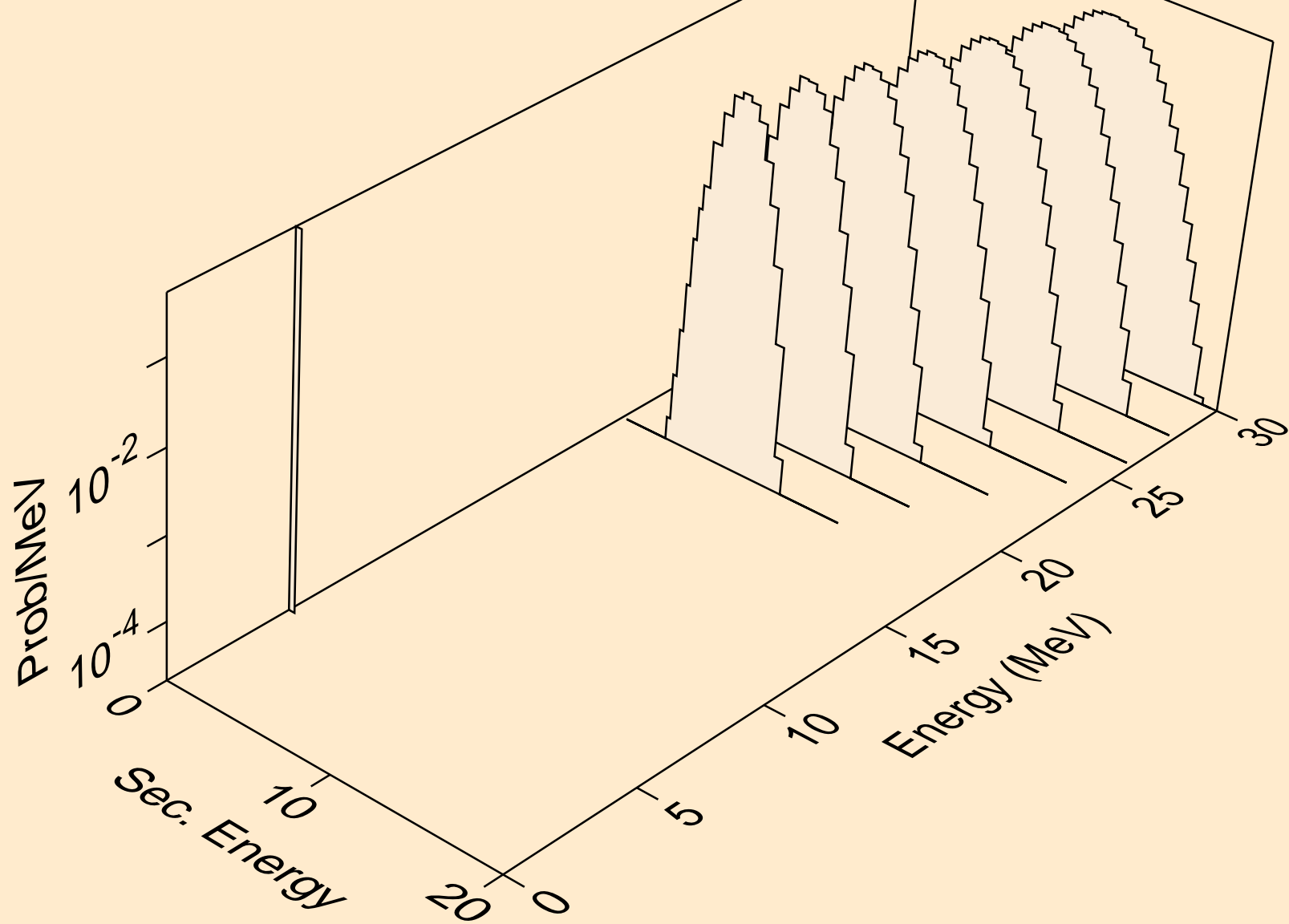
BI223 HELION ACER TENDL-2021 LIBRARY; T=0.K  
protons from (s,2np)



BI223 HELION ACER TENDL-2021 LIBRARY; T=0.K  
protons from (s,p)

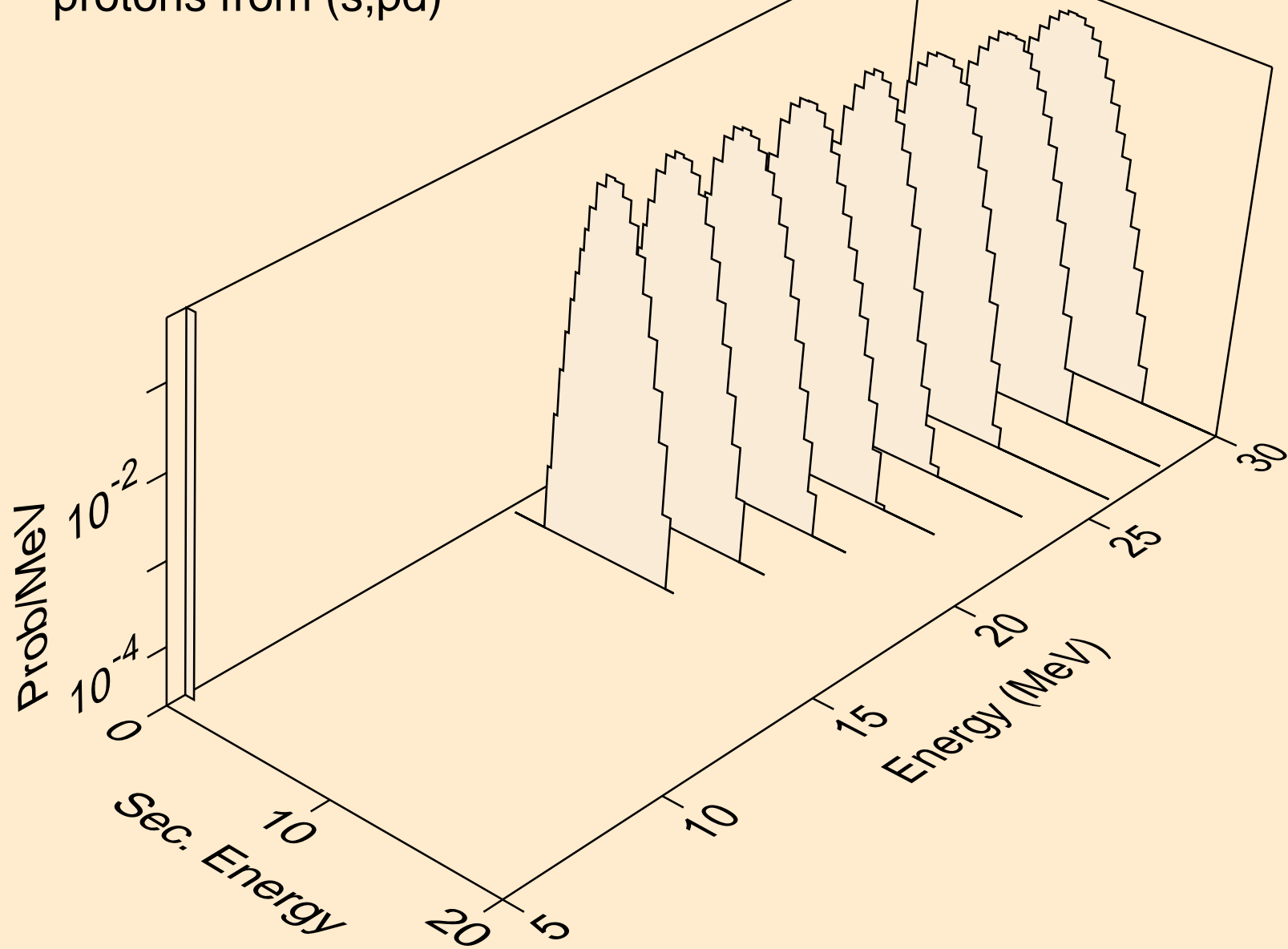


BI223 HELION ACER TENDL-2021 LIBRARY; T=0.K  
protons from (s,2p)

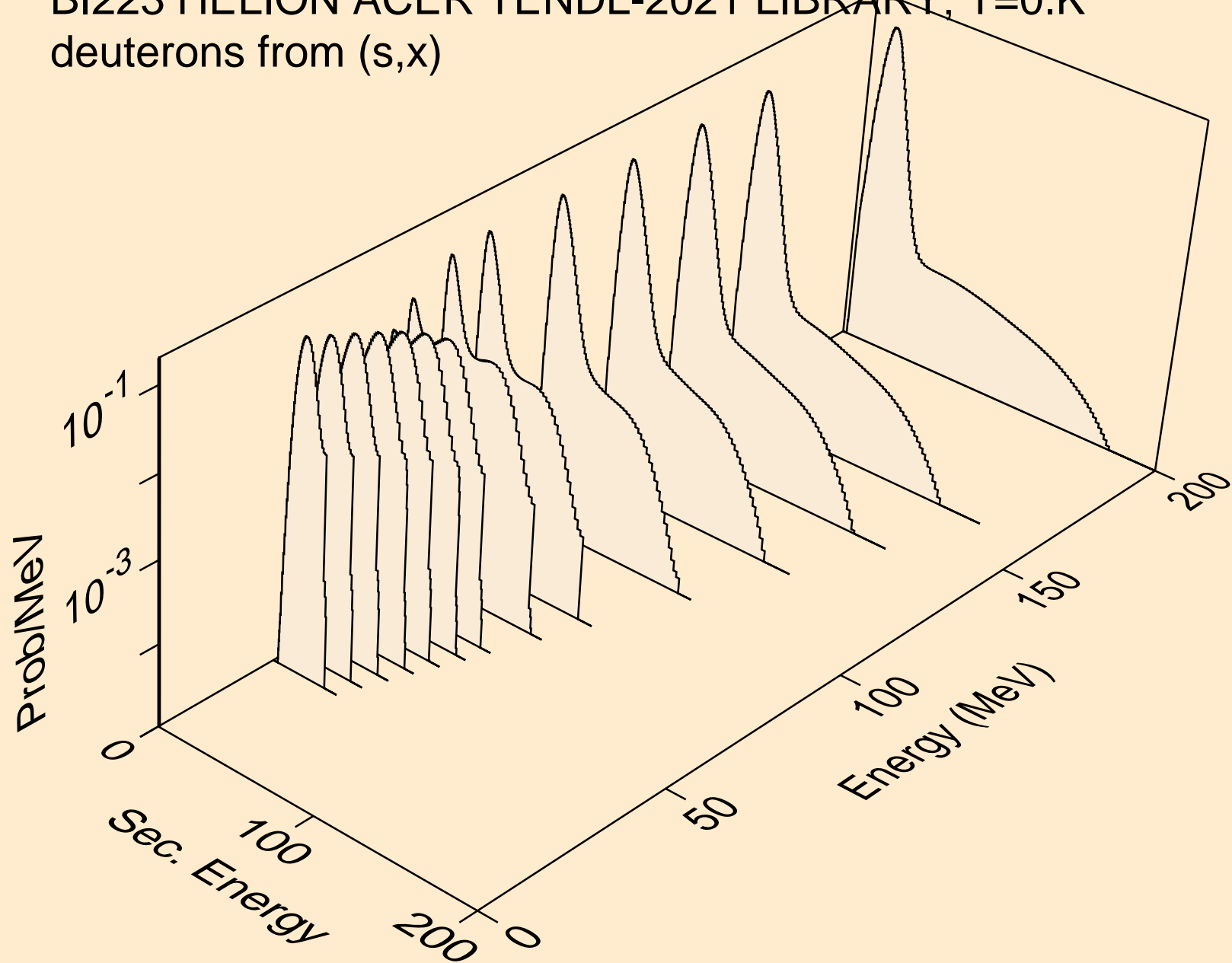




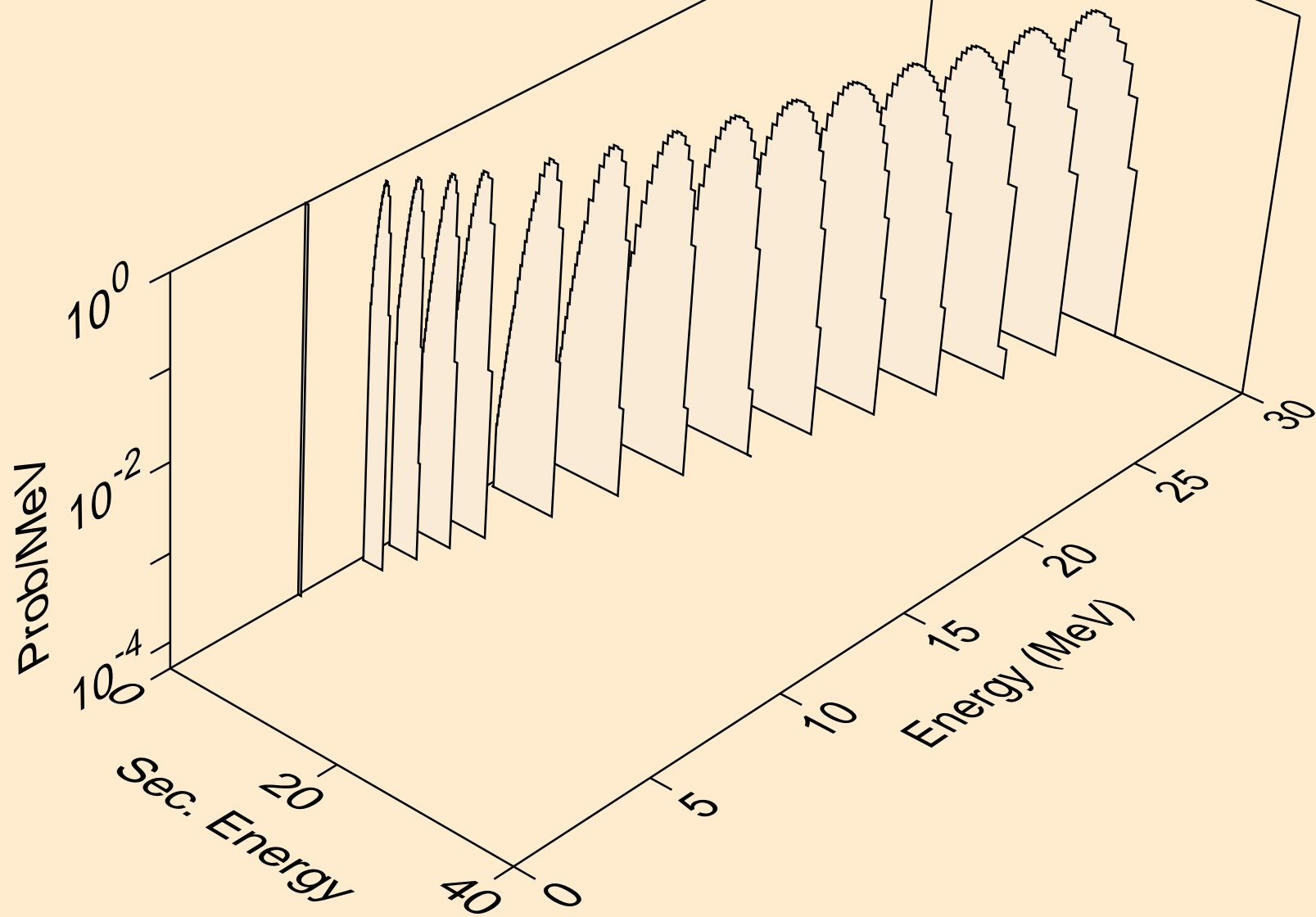
BI223 HELION ACER TENDL-2021 LIBRARY; T=0.K  
protons from (s,pd)



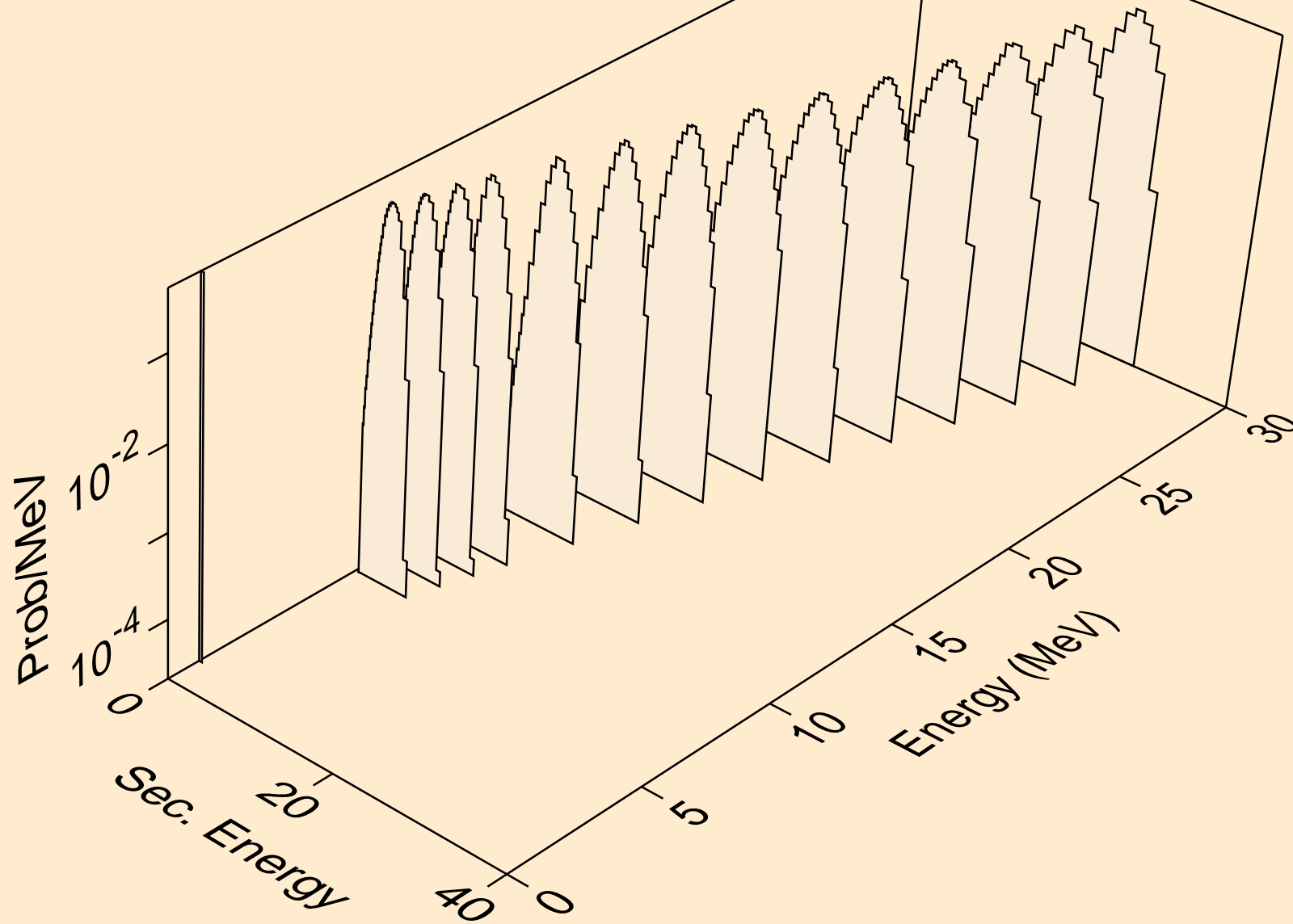
BI223 HELION ACER TENDL-2021 LIBRARY; T=0.K  
deuterons from (s,x)



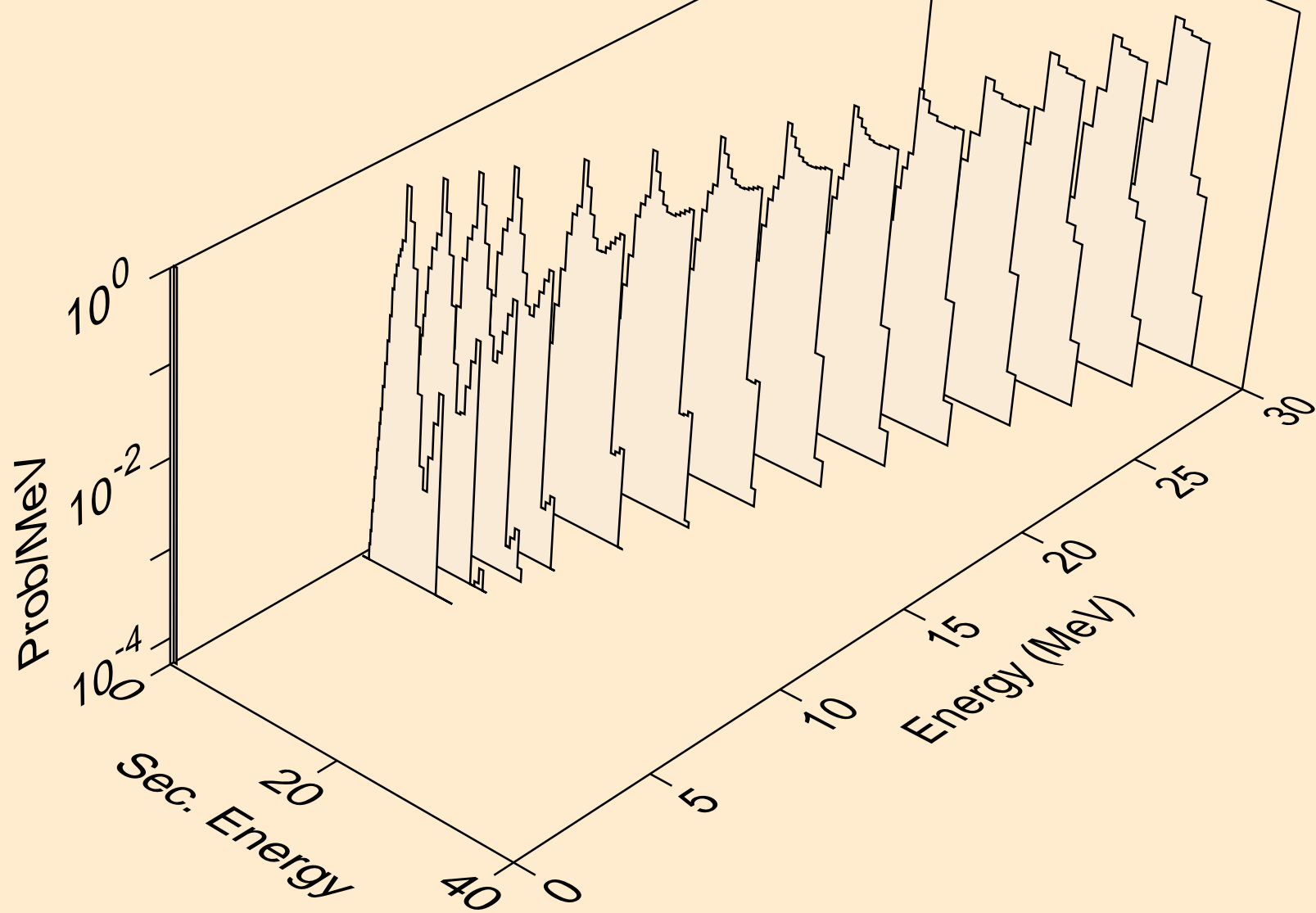
BI223 HELION ACER TENDL-2021 LIBRARY; T=0.K  
deuterons from (s,2nd)



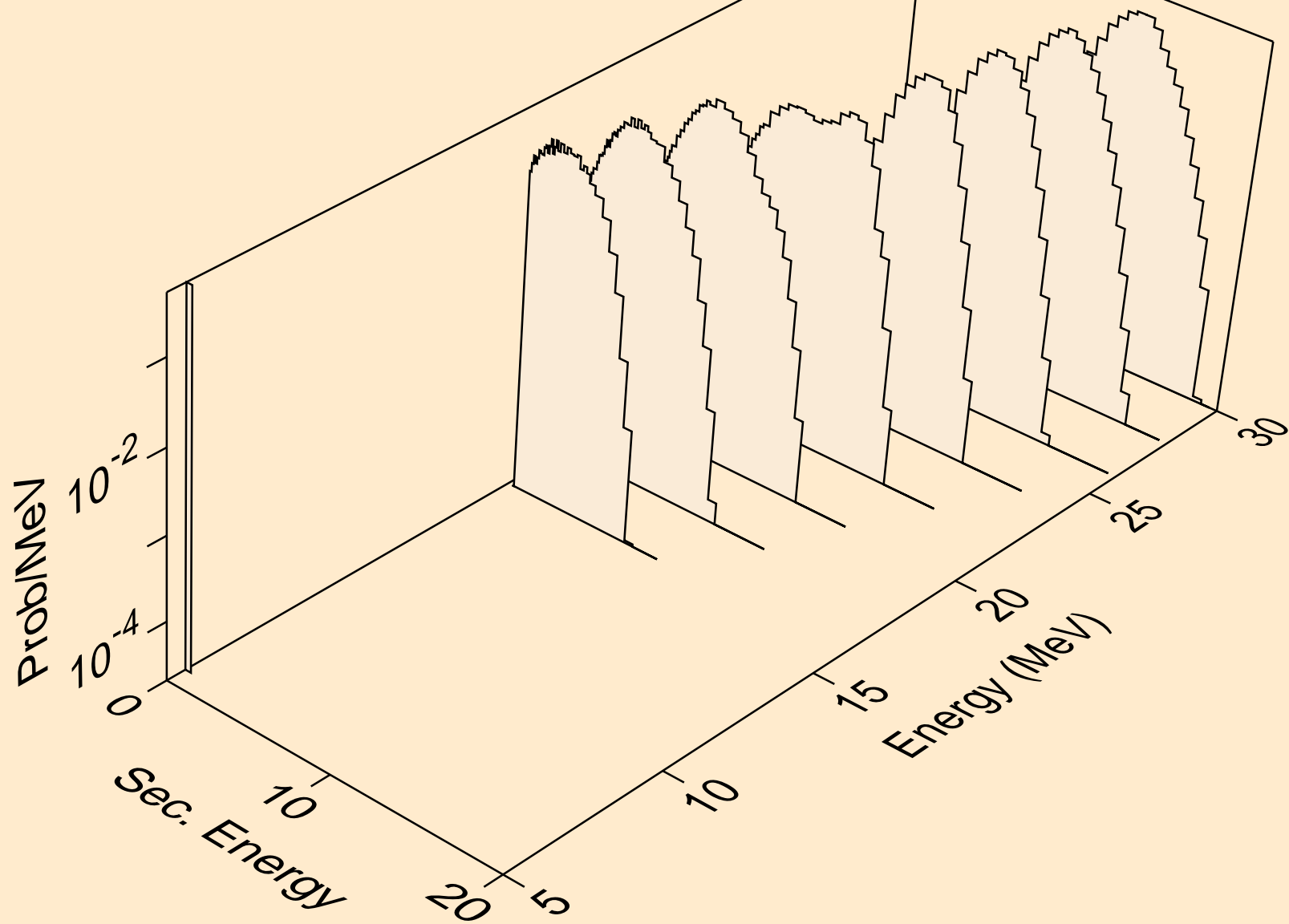
BI223 HELION ACER TENDL-2021 LIBRARY; T=0.K  
deuterons from (s,n\*)d



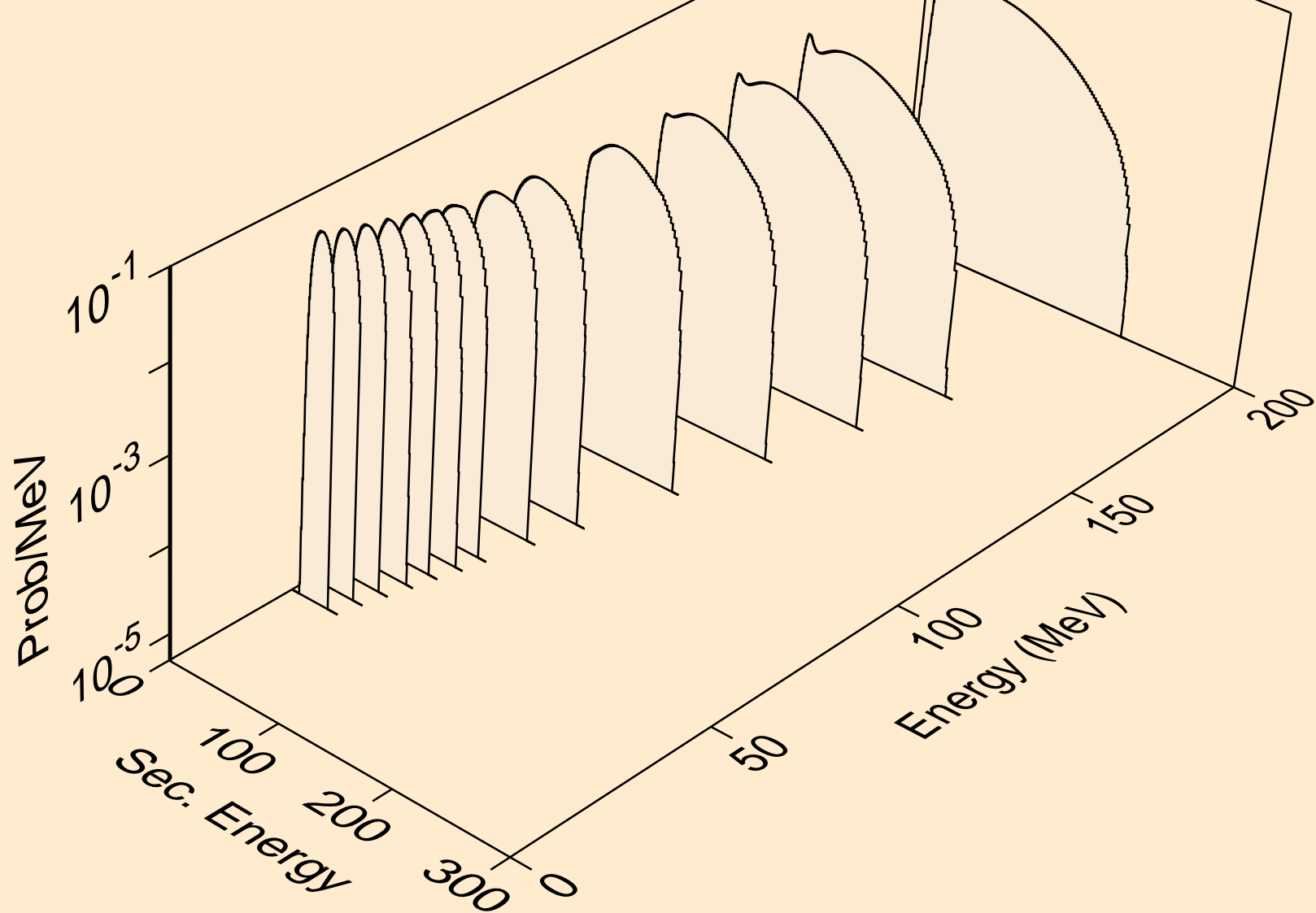
BI223 HELION ACER TENDL-2021 LIBRARY; T=0.K  
deuterons from (s,d)



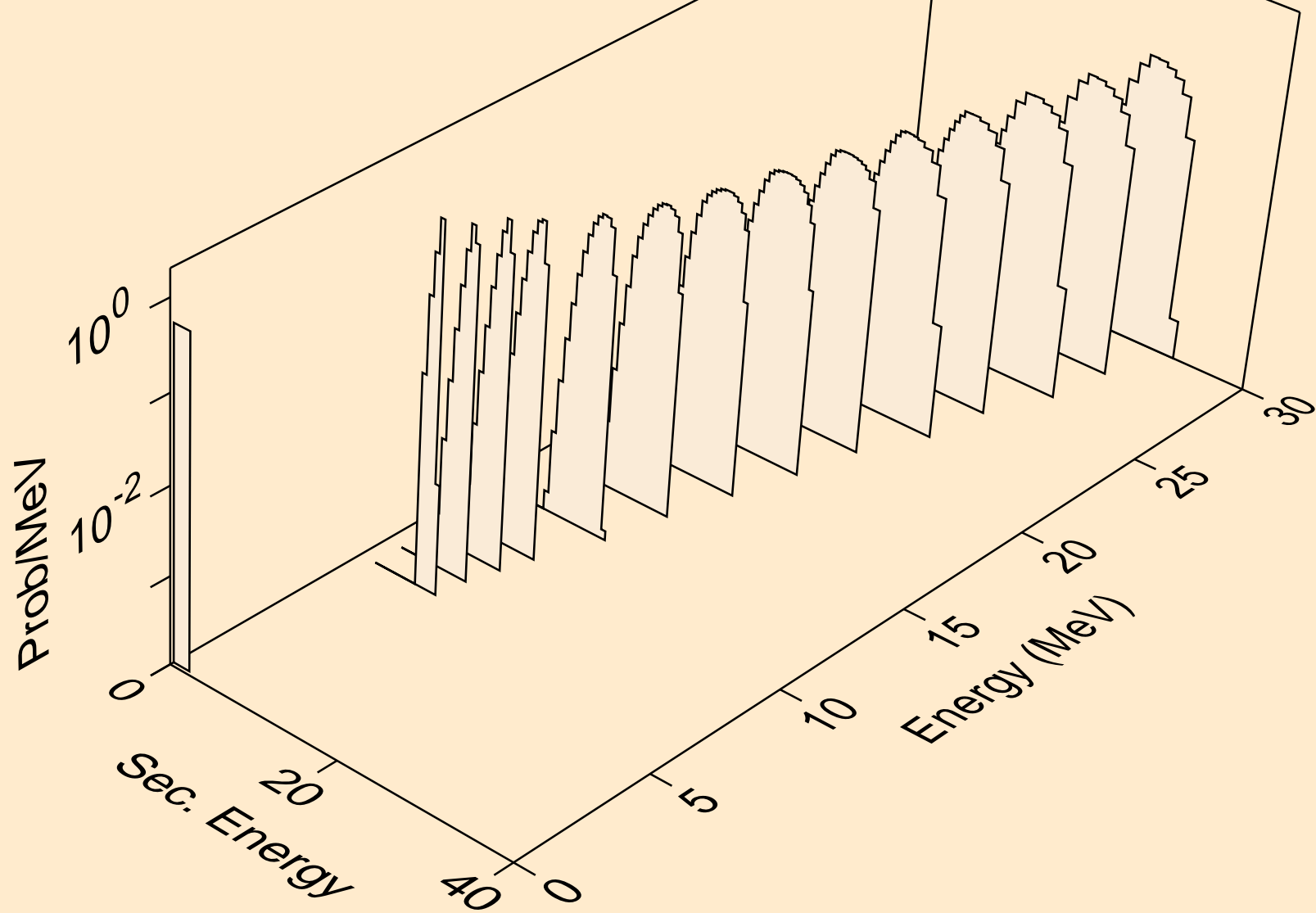
BI223 HELION ACER TENDL-2021 LIBRARY; T=0.K  
deuterons from (s,pd)



BI223 HELION ACER TENDL-2021 LIBRARY; T=0.K  
tritons from (s,x)

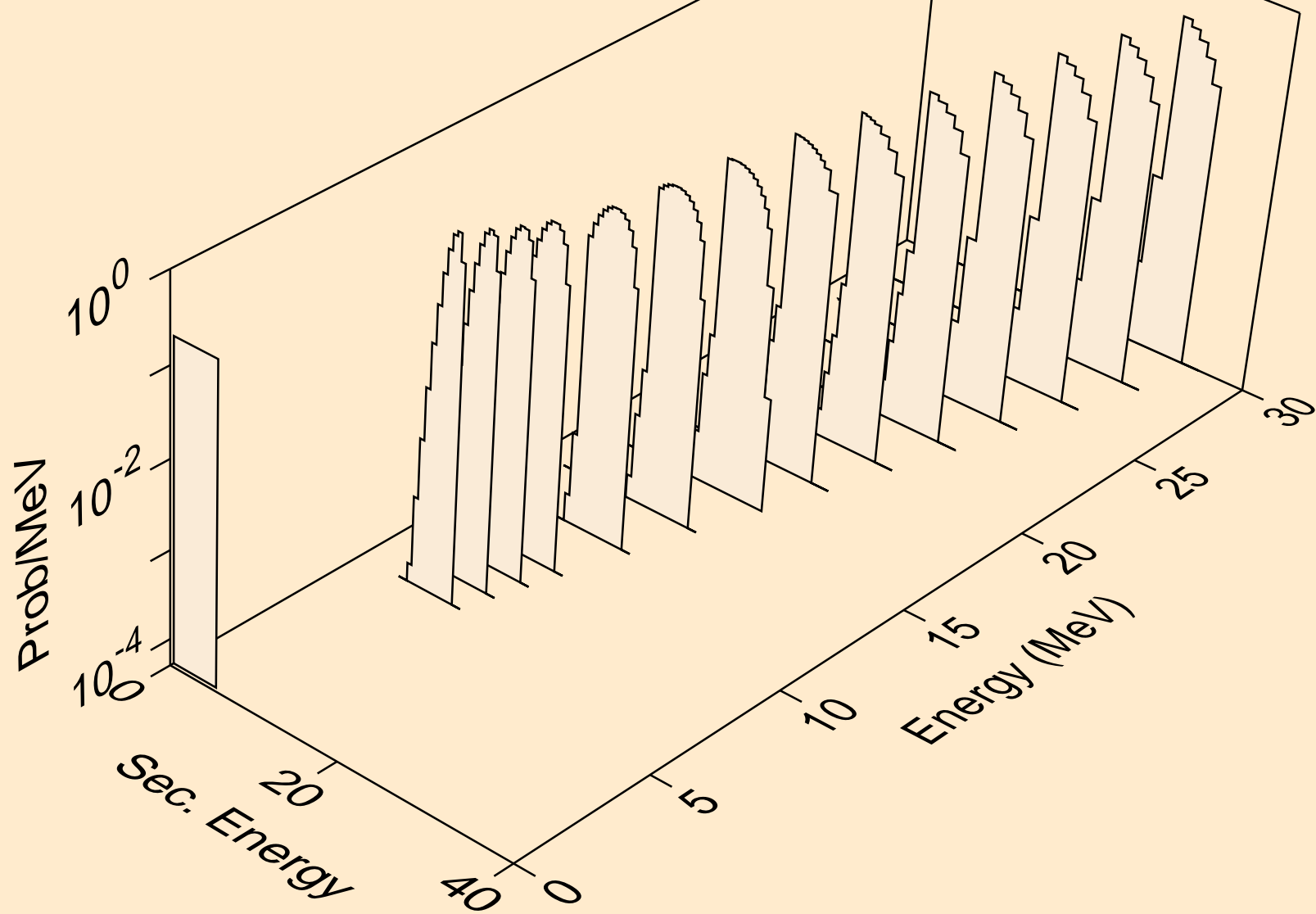


BI223 HELION ACER TENDL-2021 LIBRARY; T=0.K  
tritons from (s,n\*)t

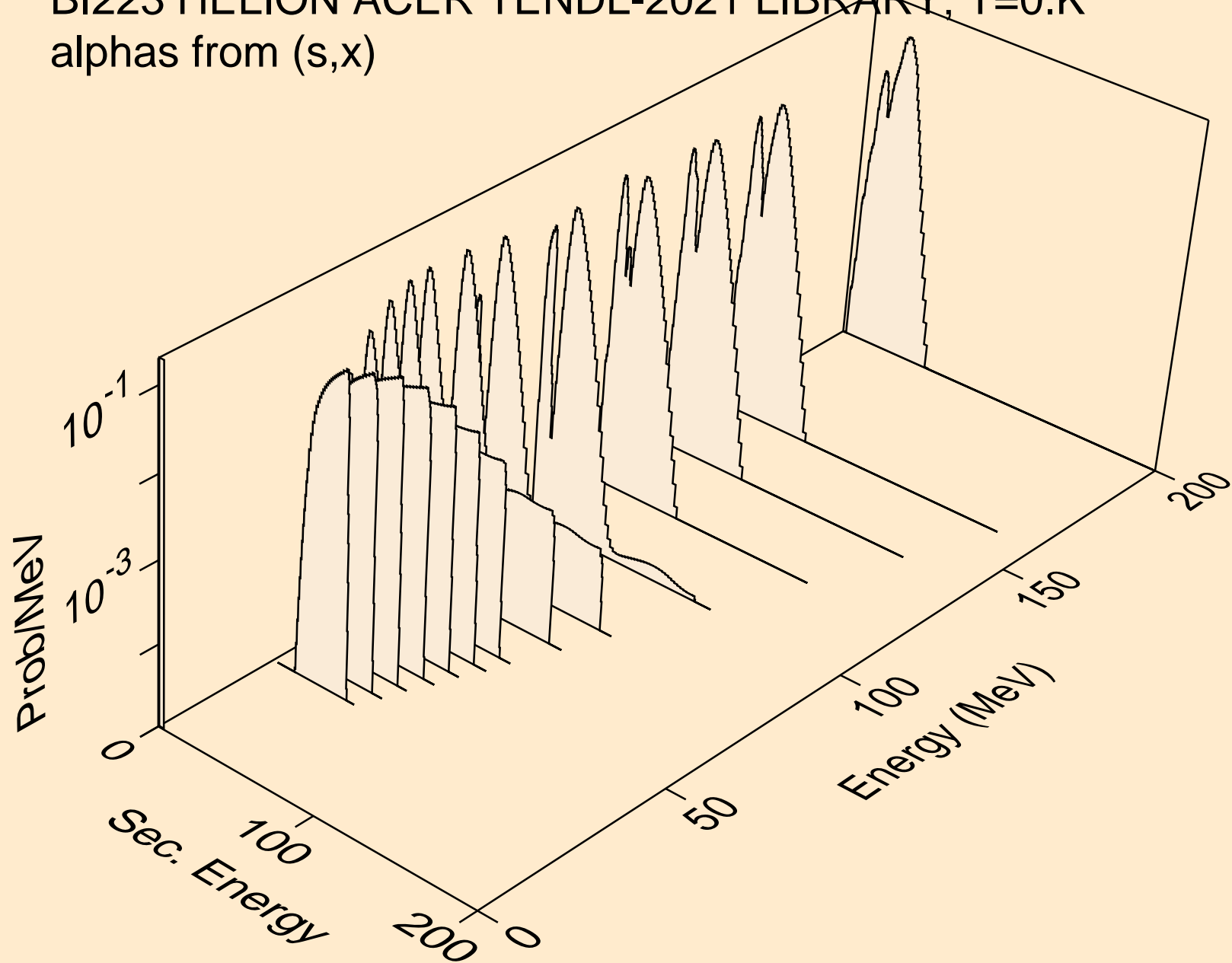




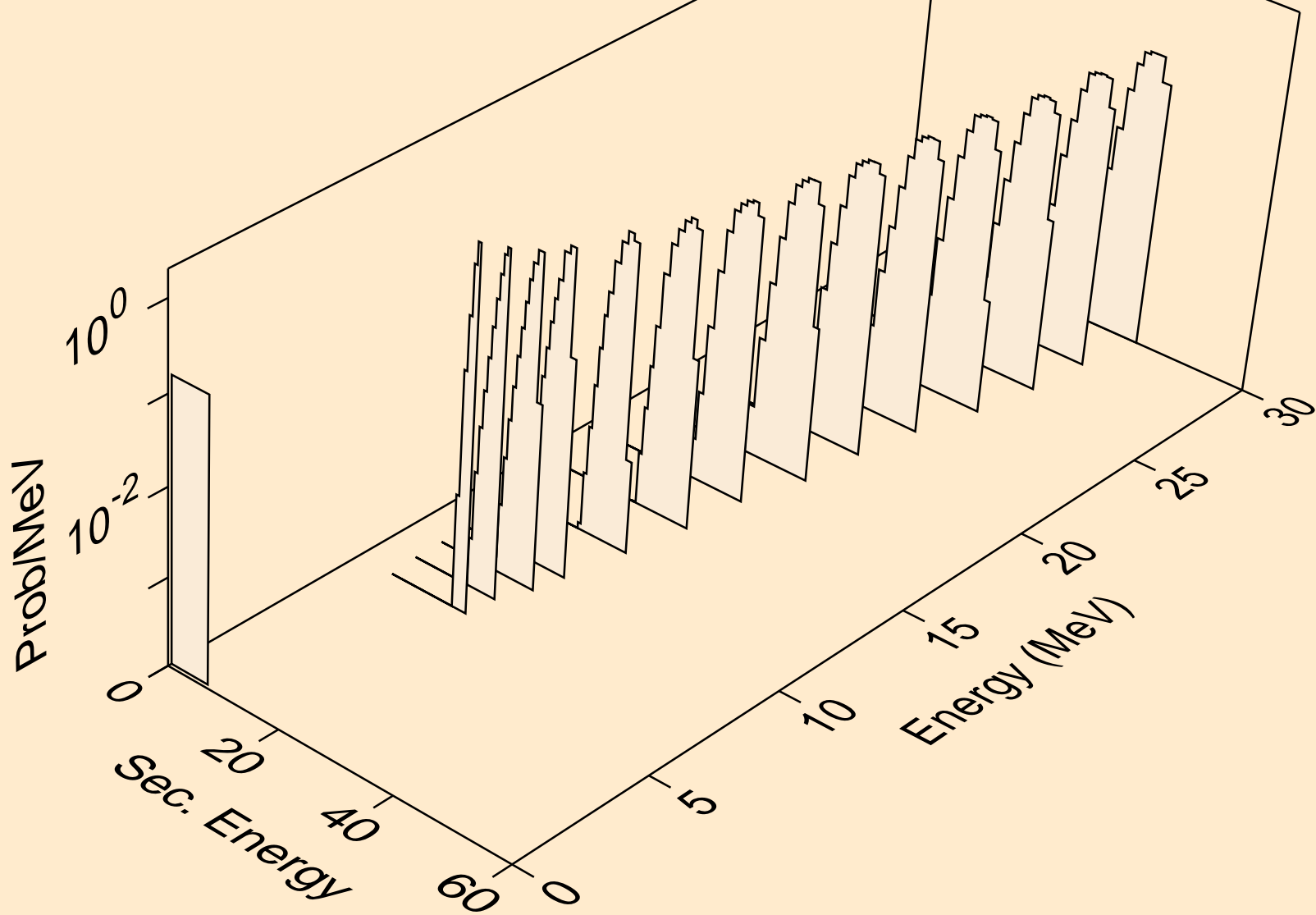
BI223 HELION ACER TENDL-2021 LIBRARY; T=0.K  
tritons from (s,t)



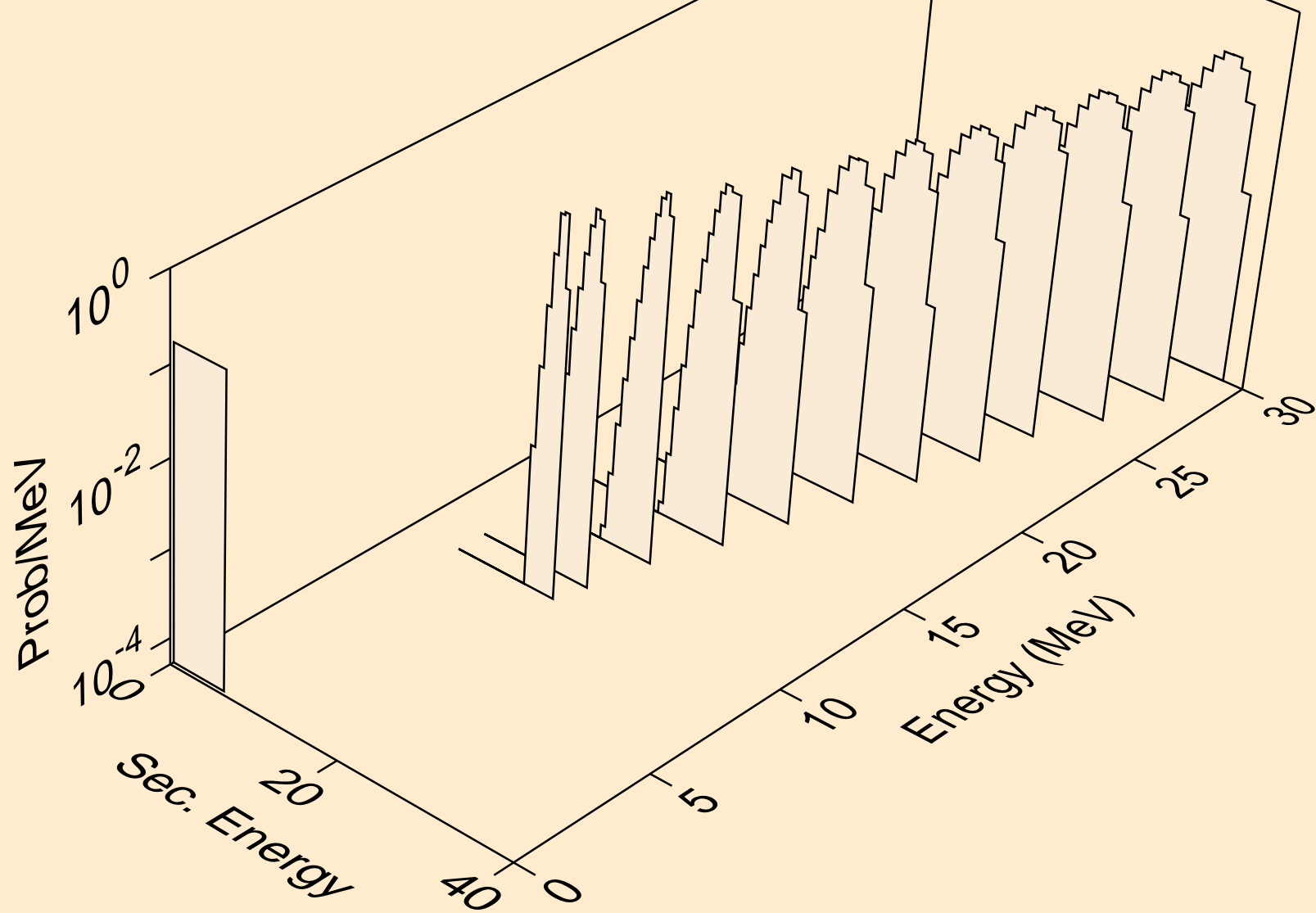
BI223 HELION ACER TENDL-2021 LIBRARY; T=0.K  
alphas from (s,x)



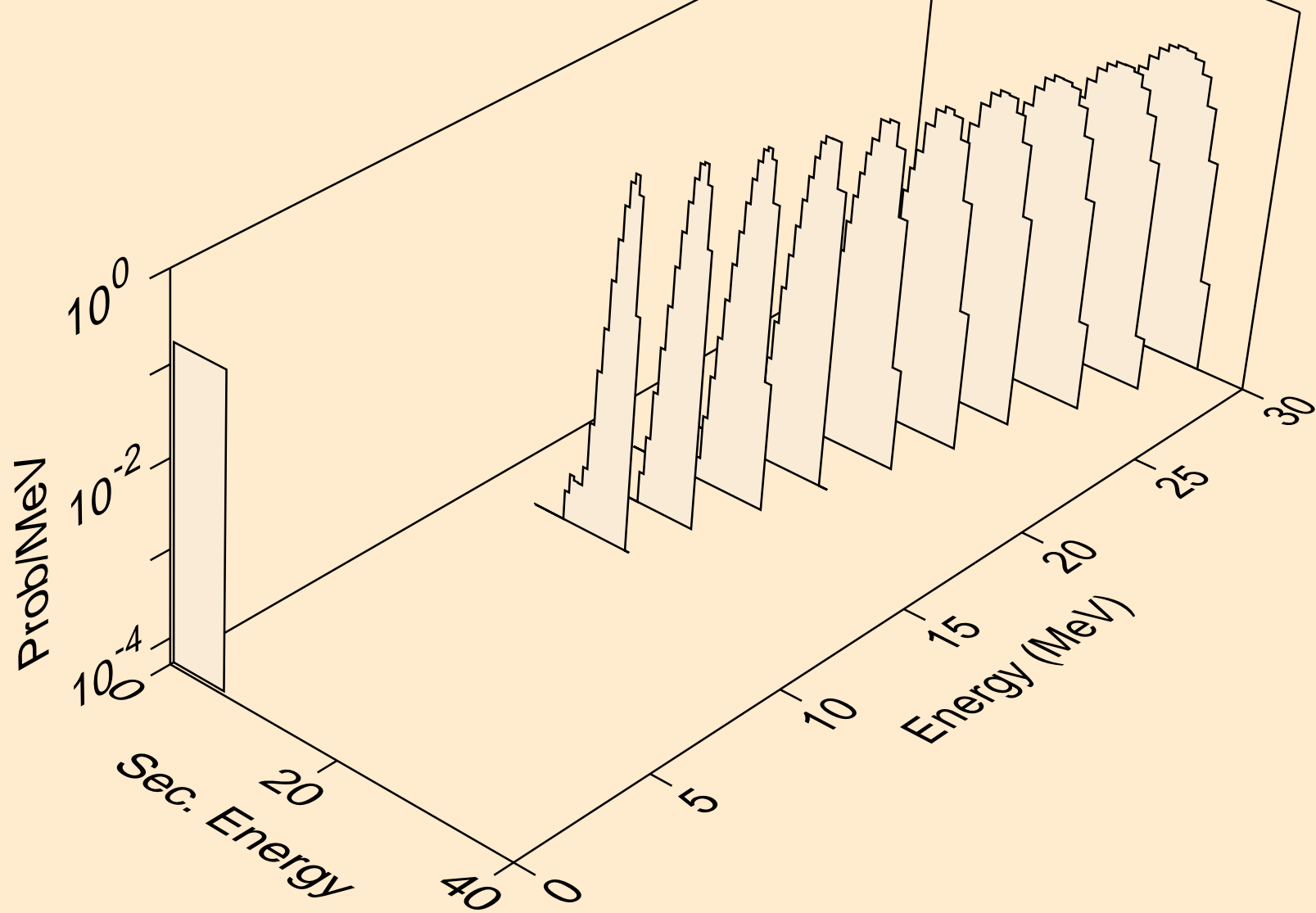
BI223 HELION ACER TENDL-2021 LIBRARY; T=0.K  
alphas from (s,n\*)a



BI223 HELION ACER TENDL-2021 LIBRARY; T=0.K  
alphas from (s,2n)a



BI223 HELION ACER TENDL-2021 LIBRARY; T=0.K  
alphas from (s,3n)a



BI223 HELION ACER TENDL-2021 LIBRARY; T=0.K  
alphas from (s,a)

