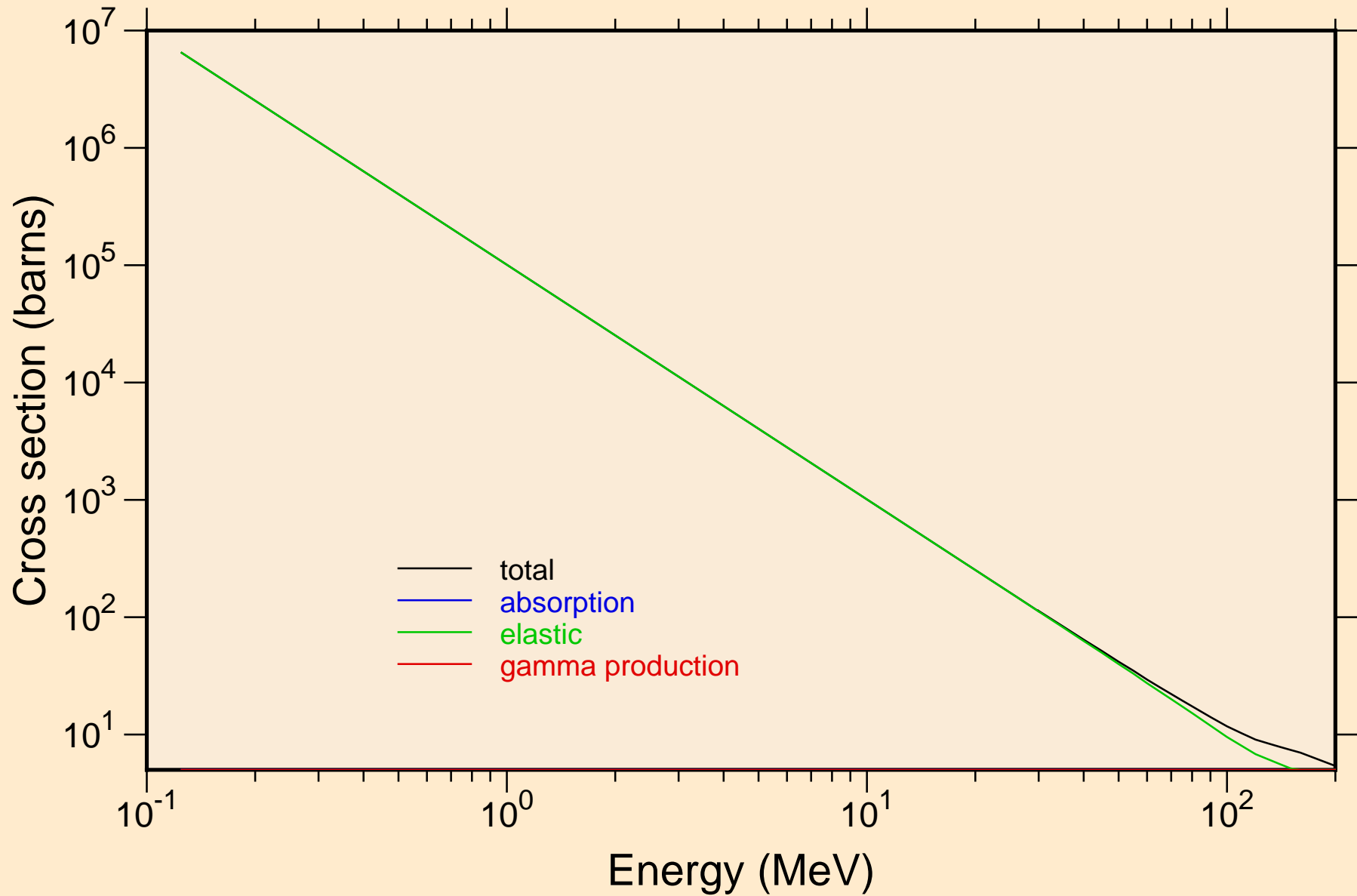
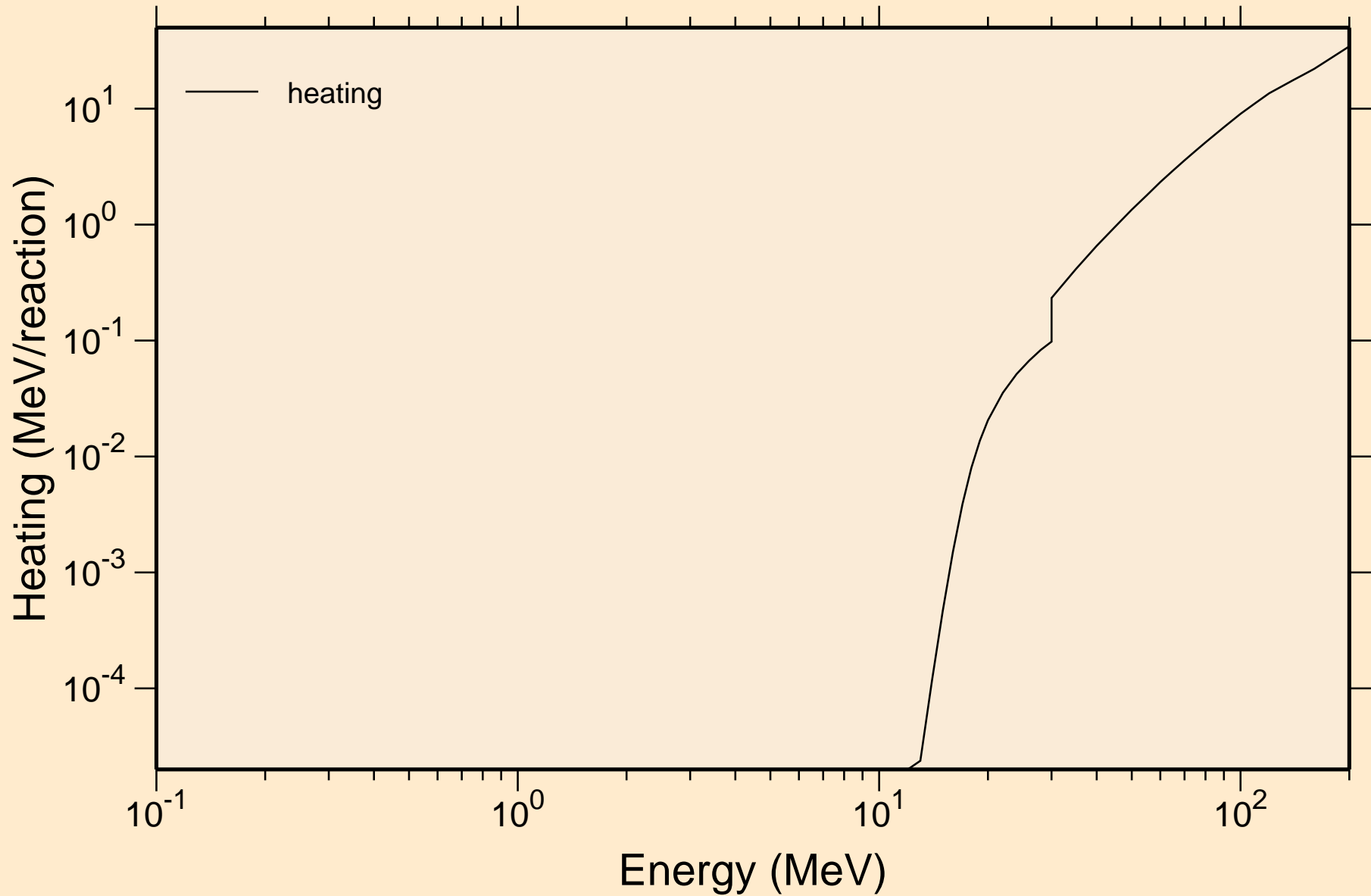


EU166 HELION ACER TENDL-2021 LIBRARY; T=0.K
Principal cross sections

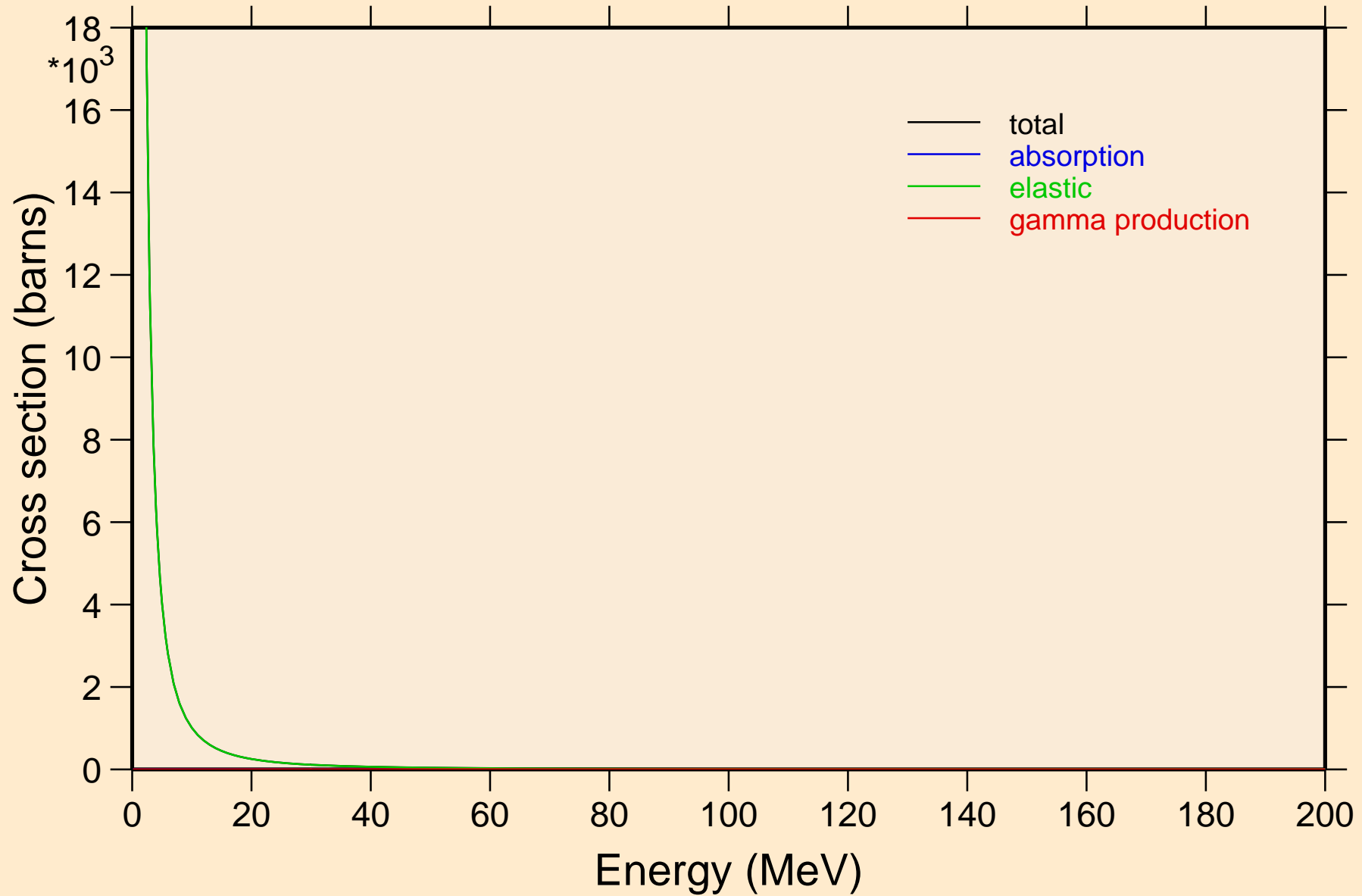


EU166 HELION ACER TENDL-2021 LIBRARY; T=0.K
Heating



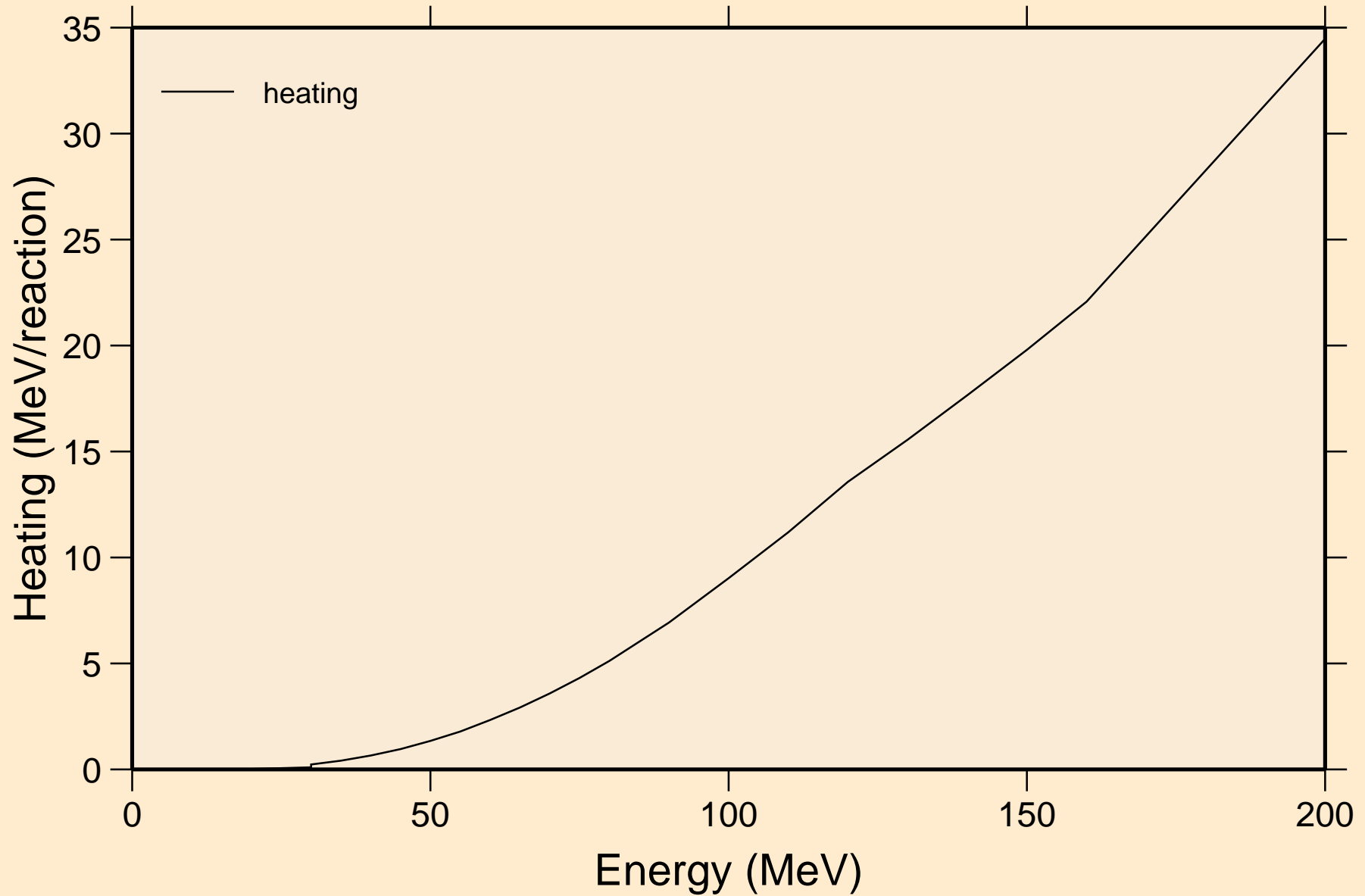
EU166 HELION ACER TENDL-2021 LIBRARY; T=0.K

Principal cross sections

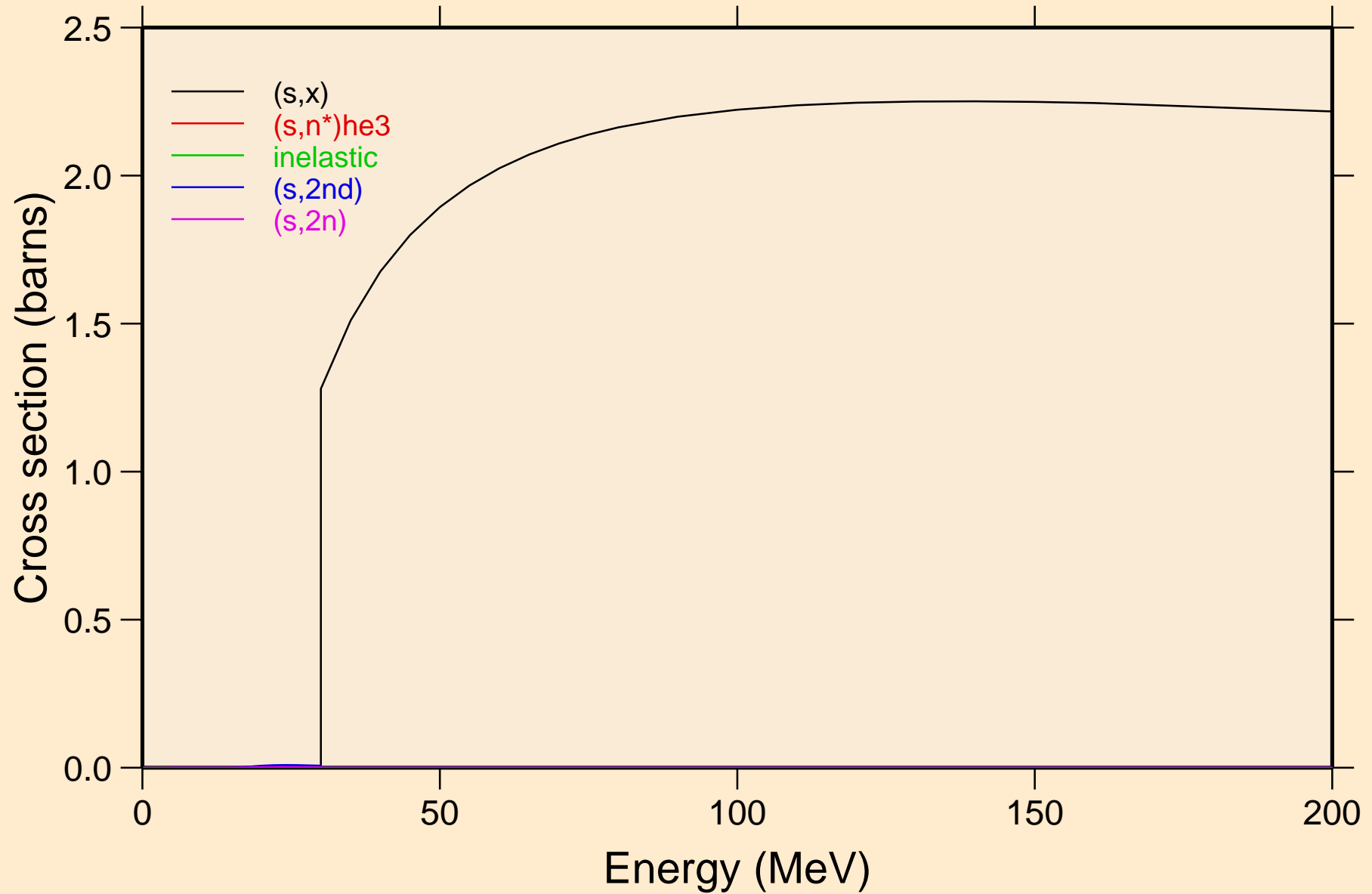


EU166 HELION ACER TENDL-2021 LIBRARY; T=0.K

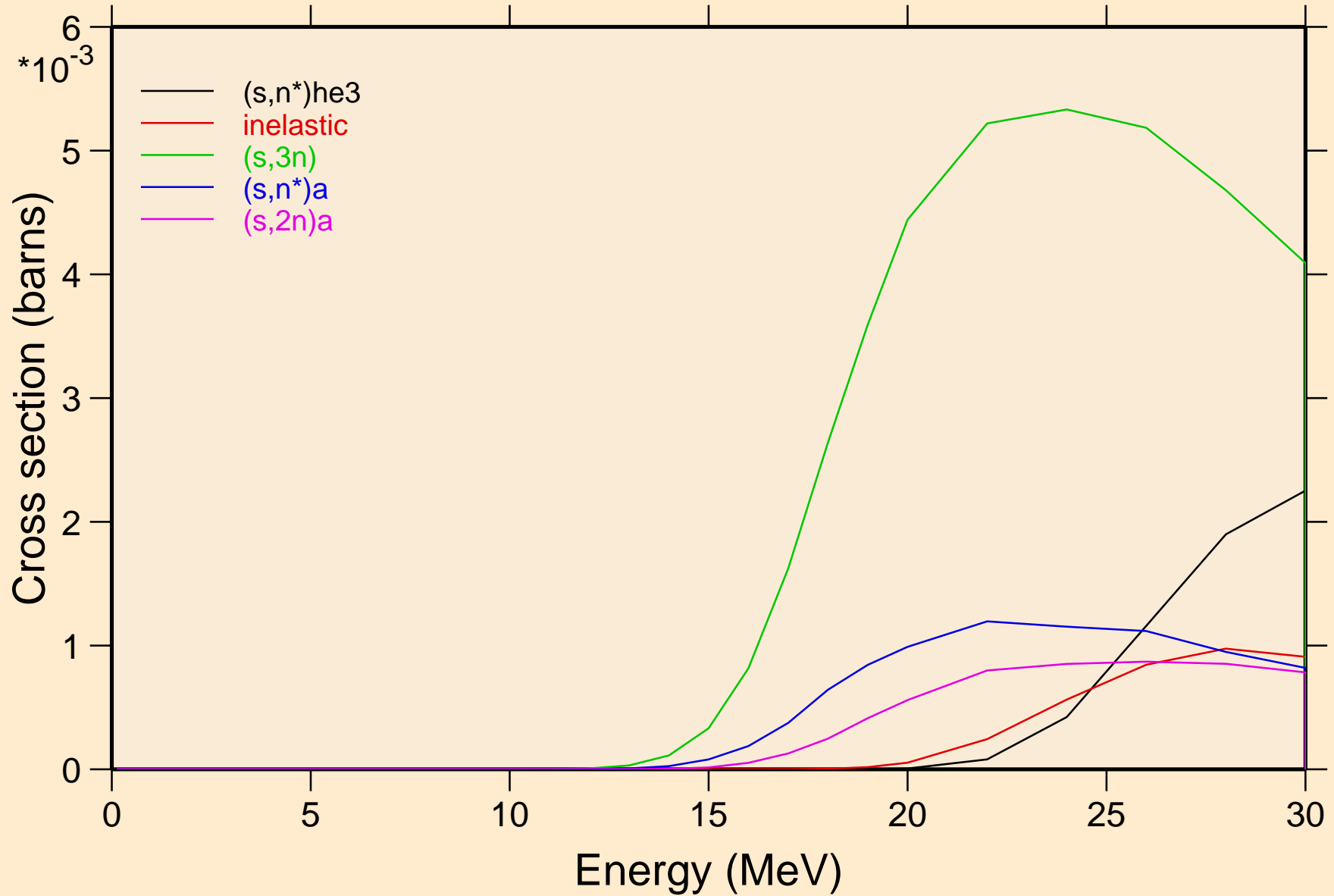
Heating



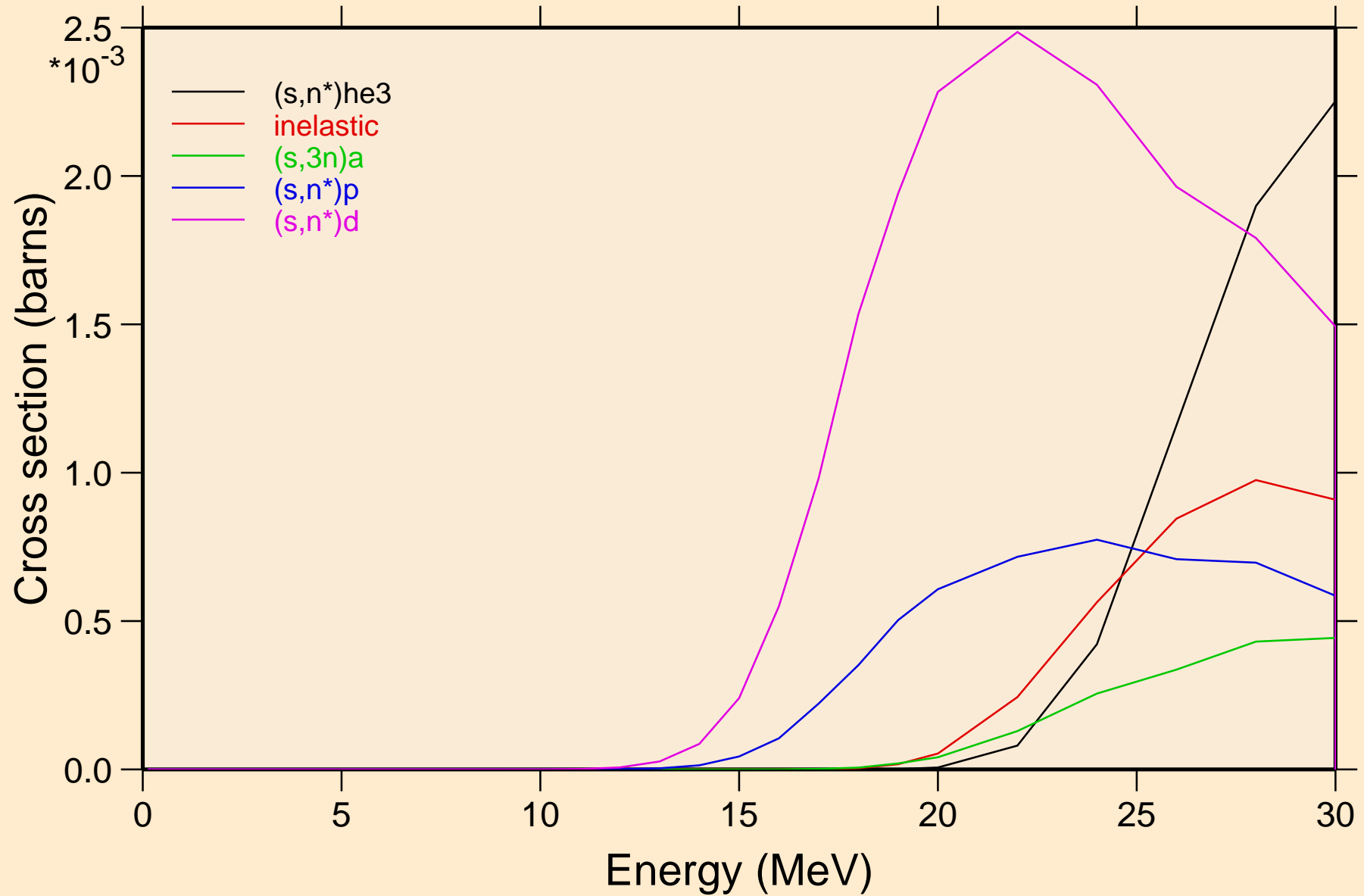
EU166 HELION ACER TENDL-2021 LIBRARY; T=0.K
Threshold reactions



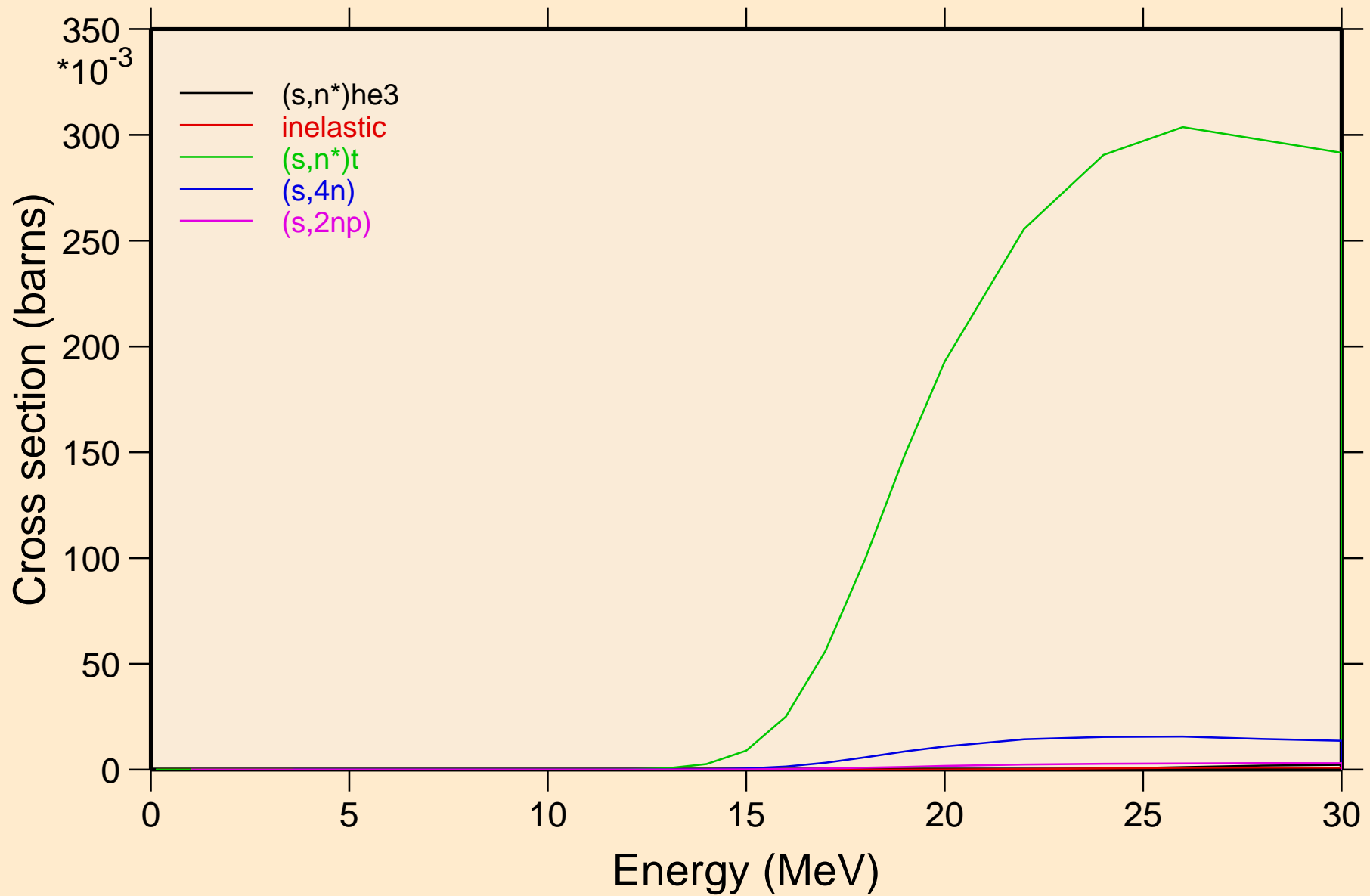
EU166 HELION ACER TENDL-2021 LIBRARY; T=0.K
Threshold reactions



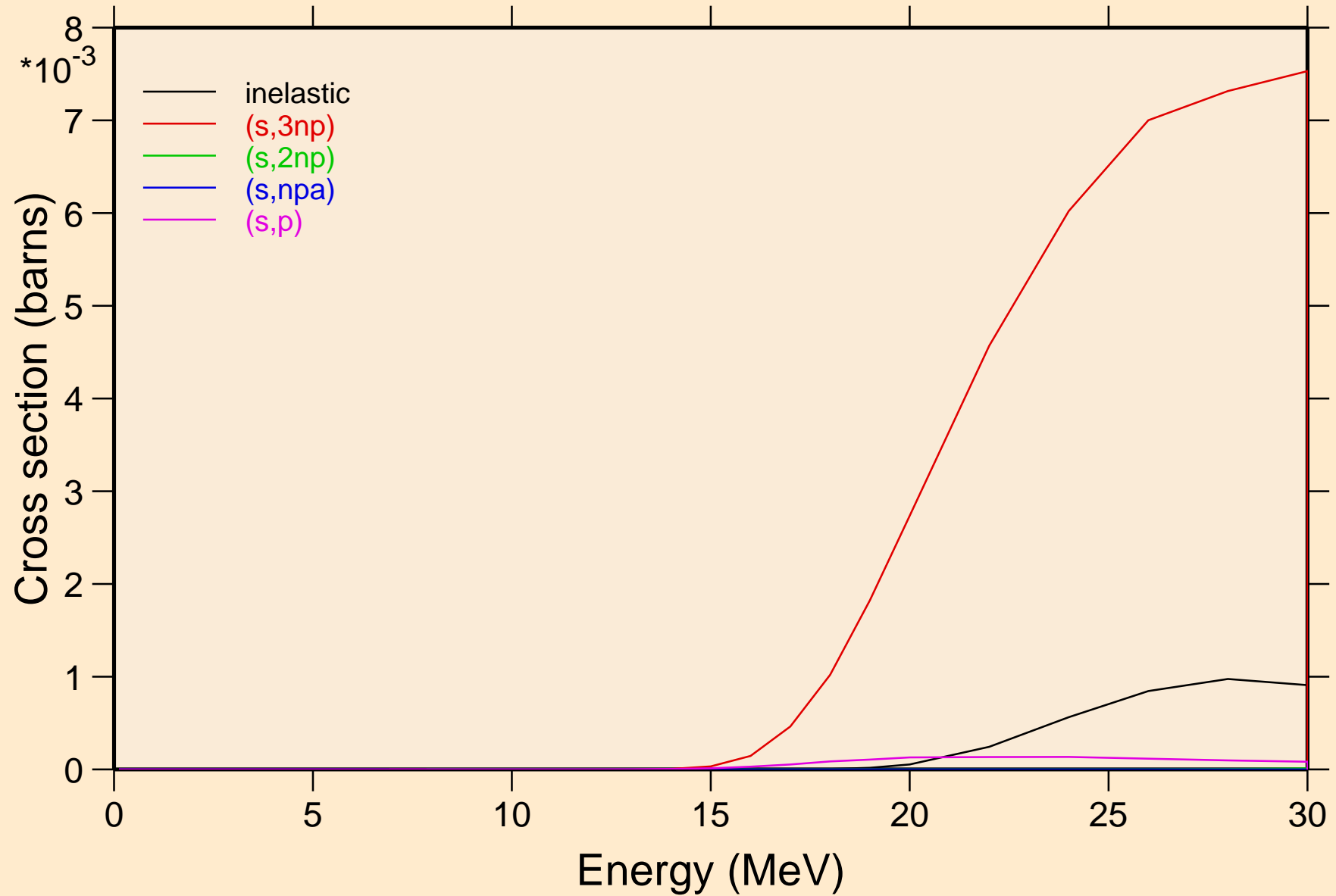
EU166 HELION ACER TENDL-2021 LIBRARY; T=0.K
Threshold reactions



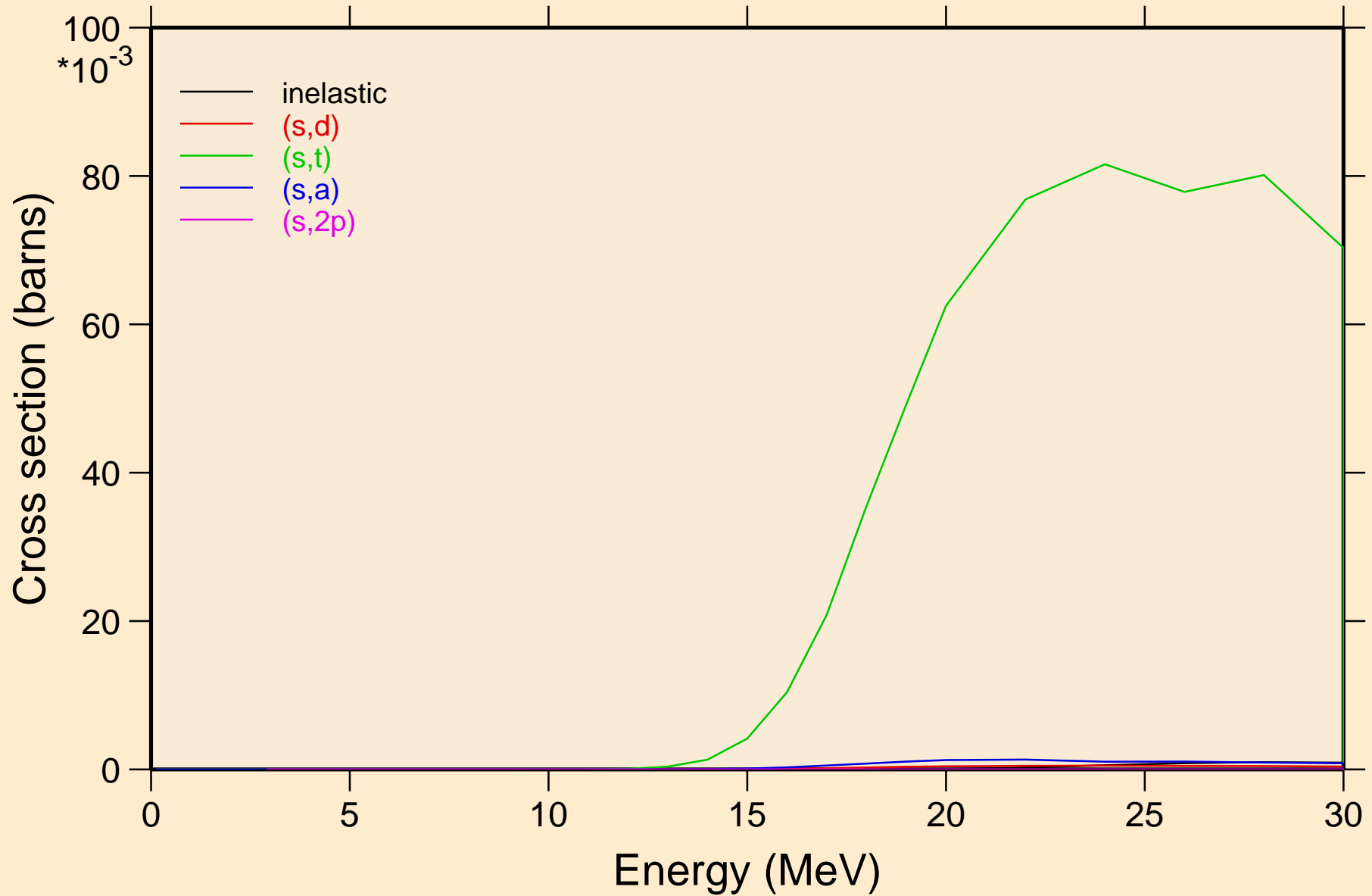
EU166 HELION ACER TENDL-2021 LIBRARY; T=0.K
Threshold reactions



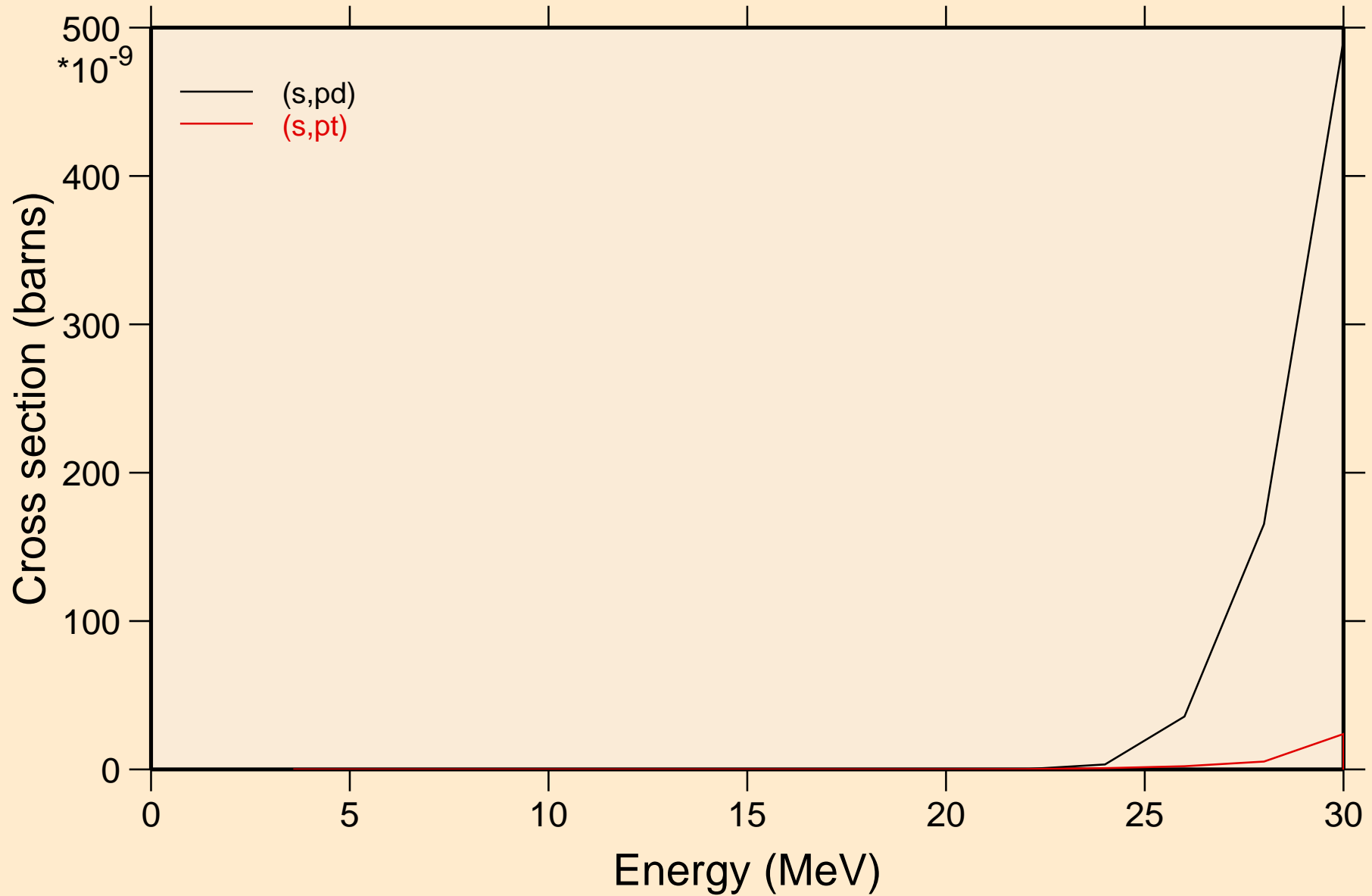
EU166 HELION ACER TENDL-2021 LIBRARY; T=0.K
Threshold reactions



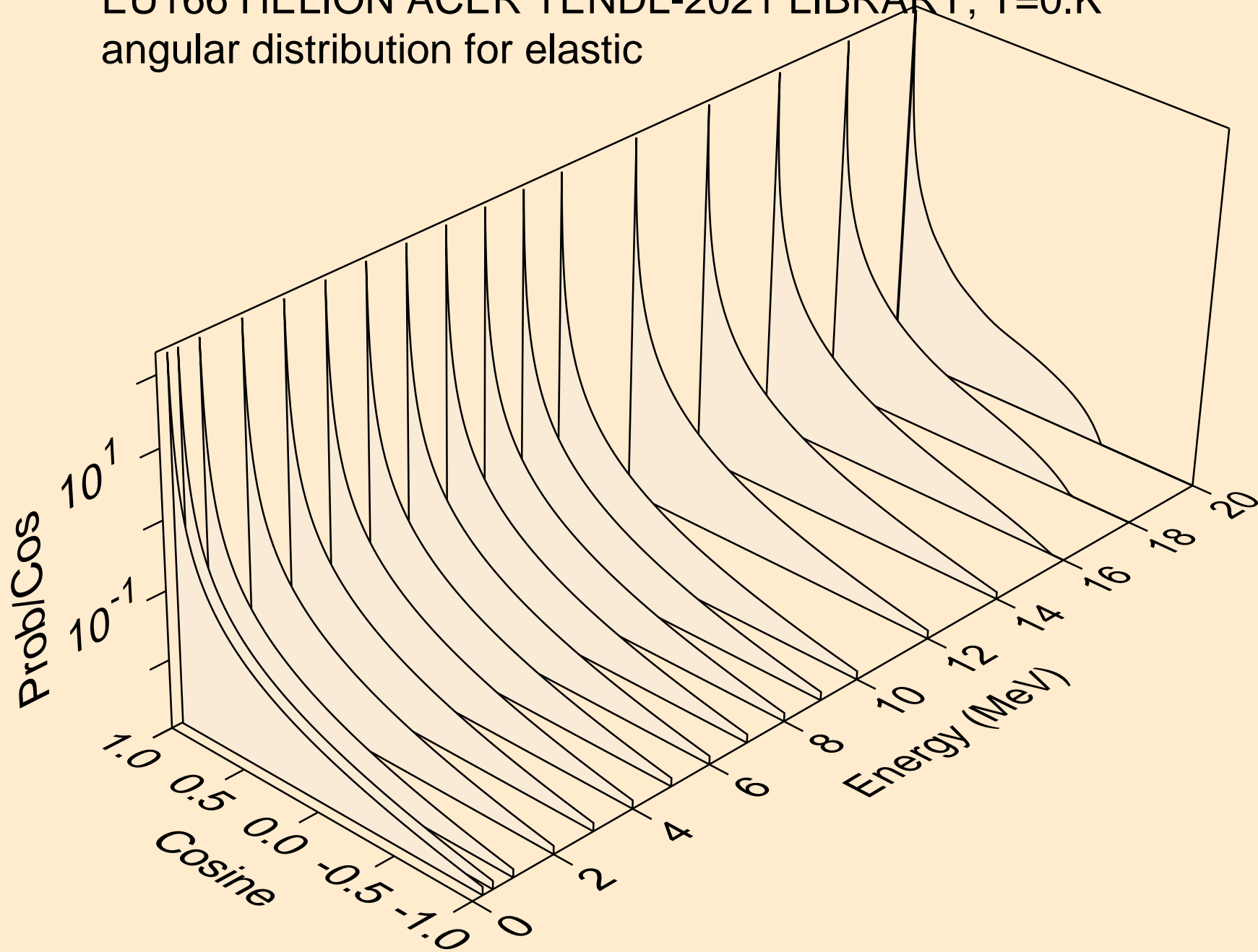
EU166 HELION ACER TENDL-2021 LIBRARY; T=0.K
Threshold reactions



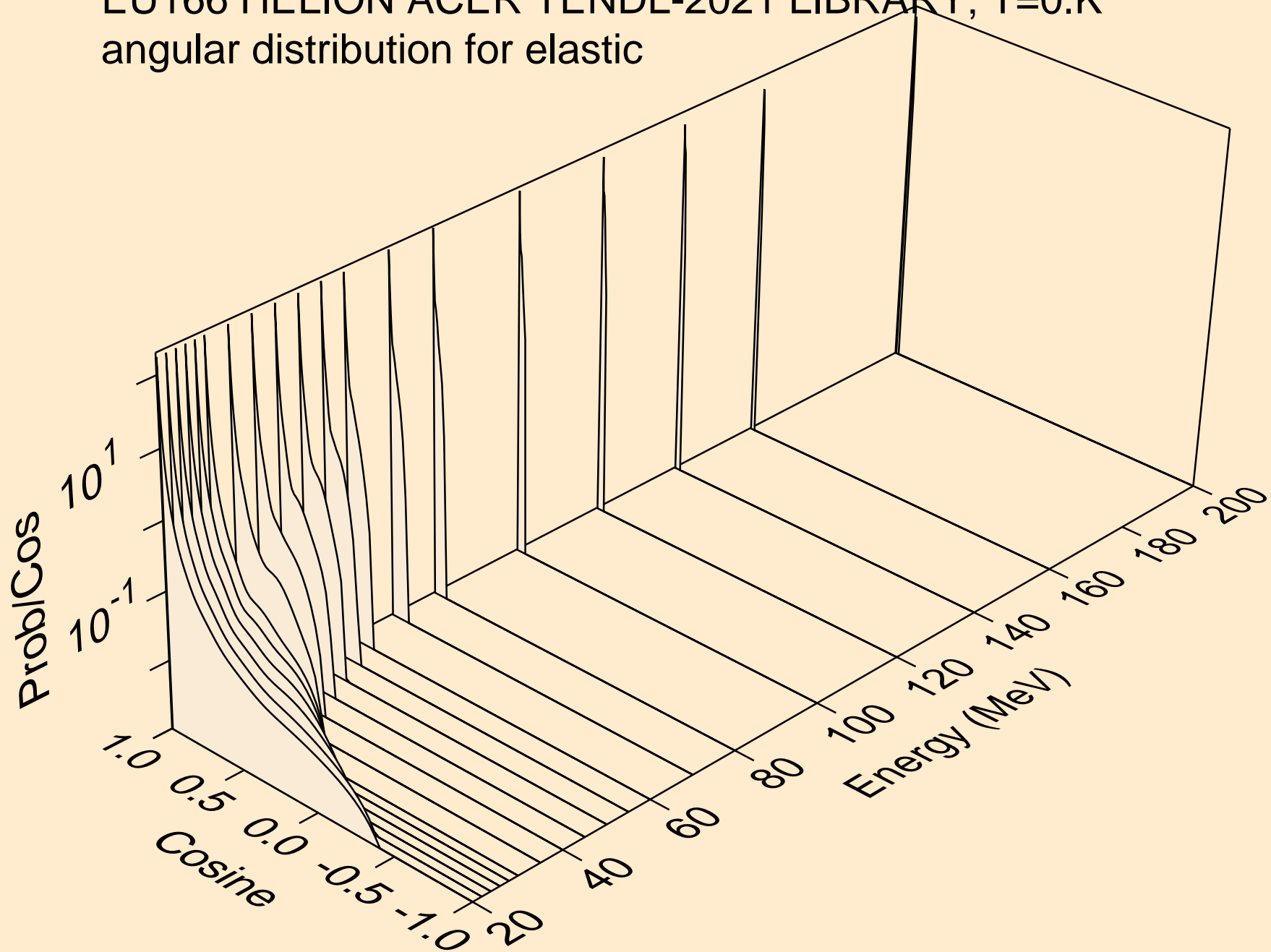
EU166 HELION ACER TENDL-2021 LIBRARY; T=0.K
Threshold reactions



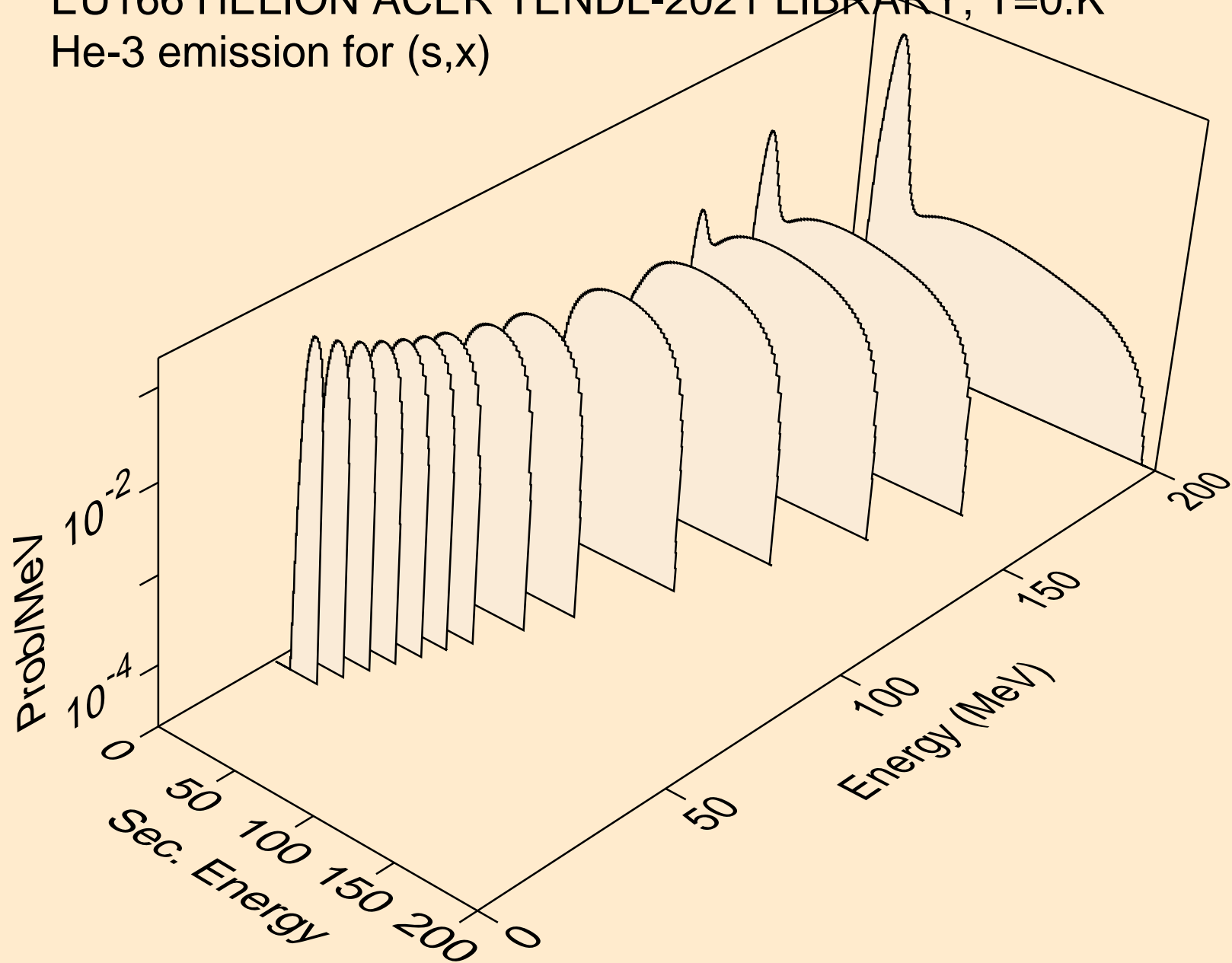
EU166 HELION ACER TENDL-2021 LIBRARY; T=0.K
angular distribution for elastic



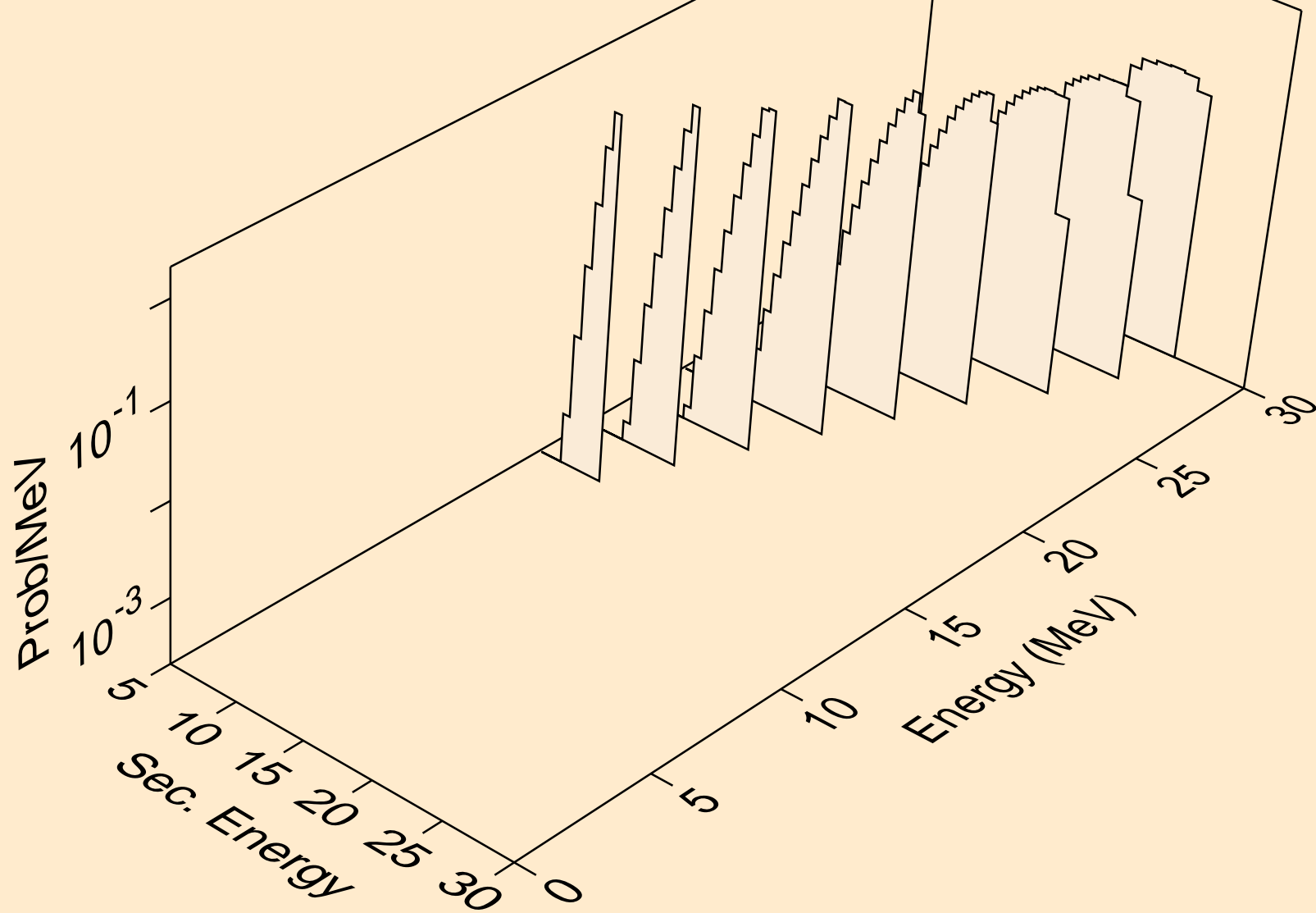
EU166 HELION ACER TENDL-2021 LIBRARY; T=0.K
angular distribution for elastic



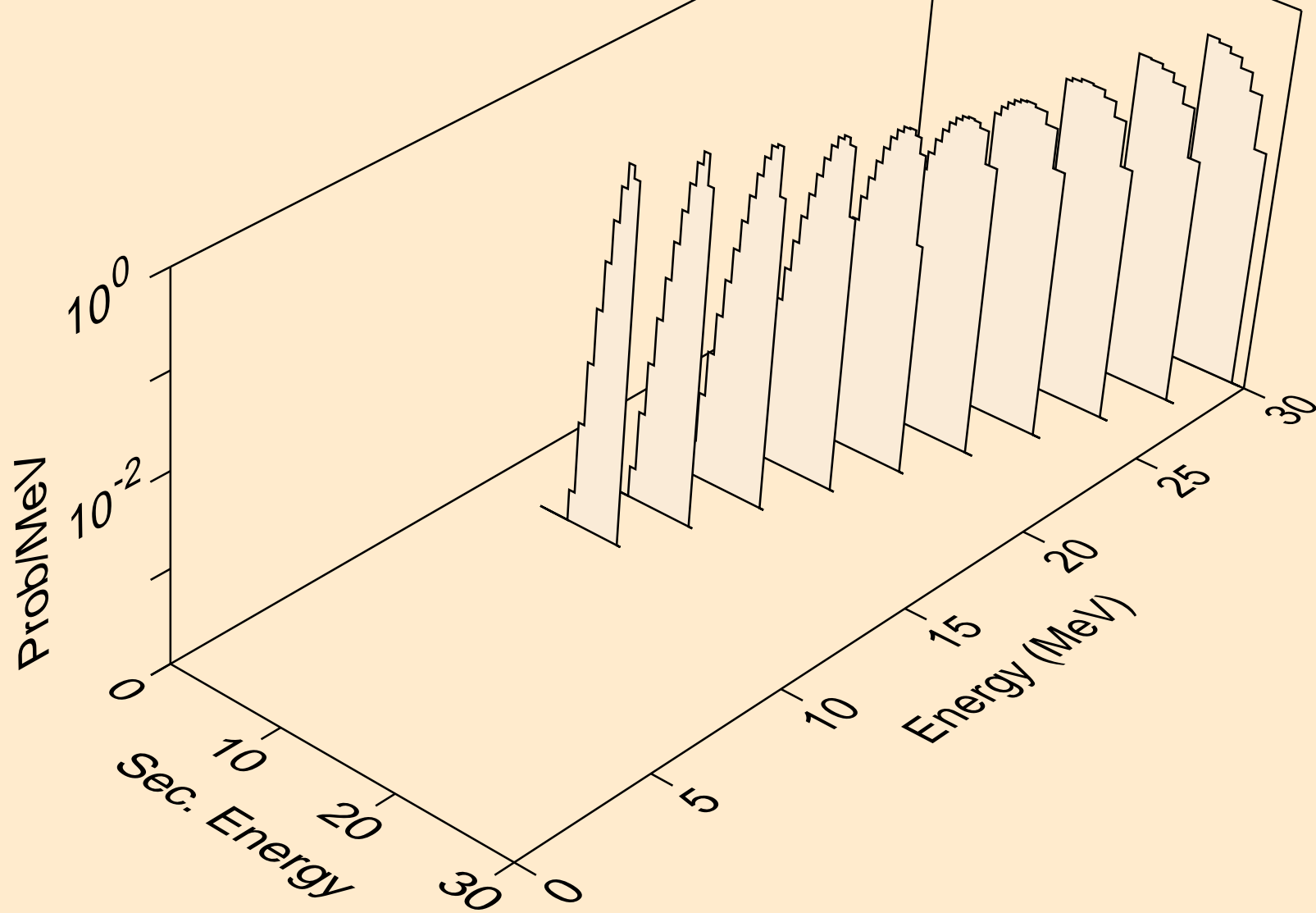
EU166 HELION ACER TENDL-2021 LIBRARY; T=0.K
He-3 emission for (s,x)



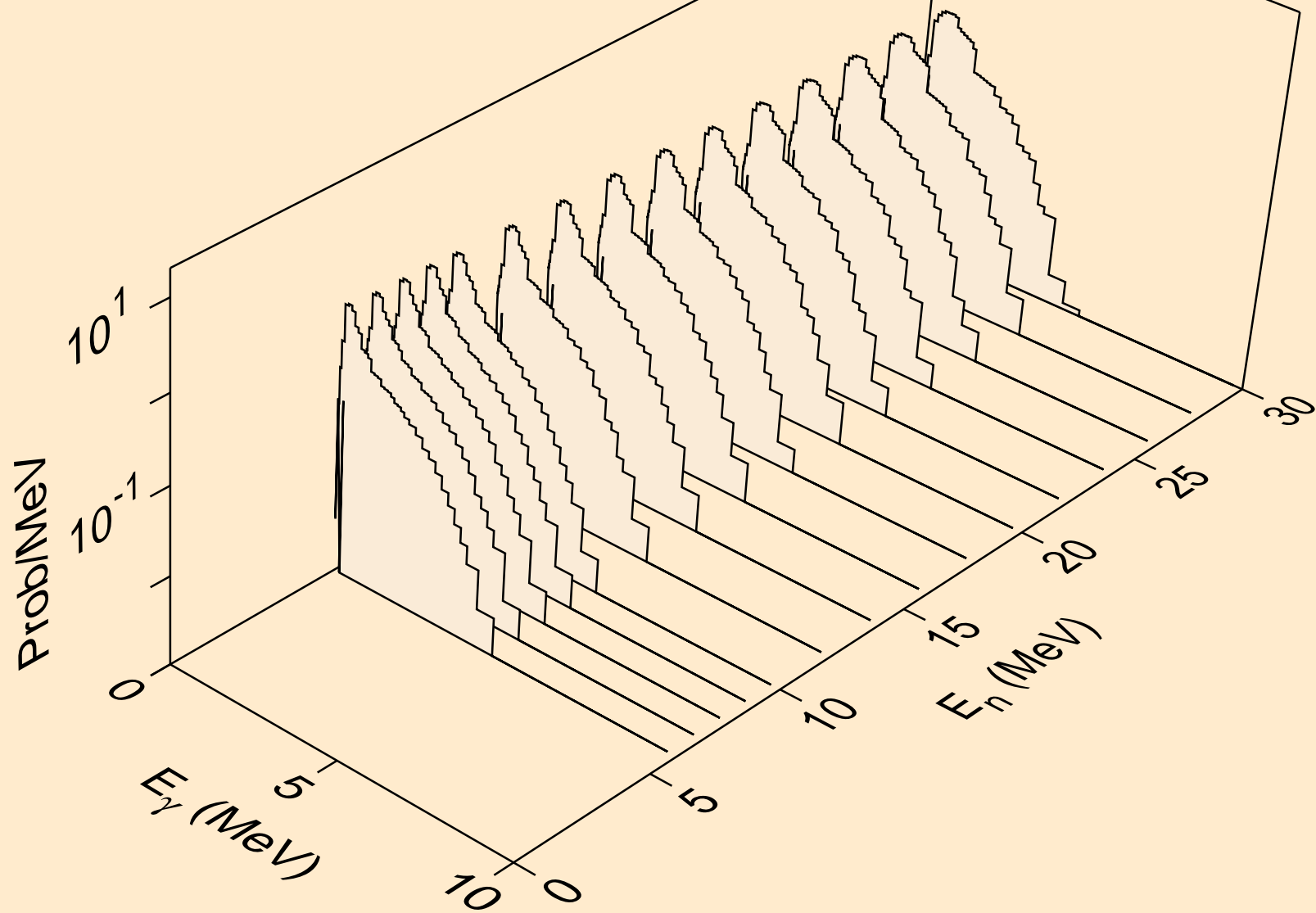
EU166 HELION ACER TENDL-2021 LIBRARY; T=0.K
He-3 emission for (s,n*)he3



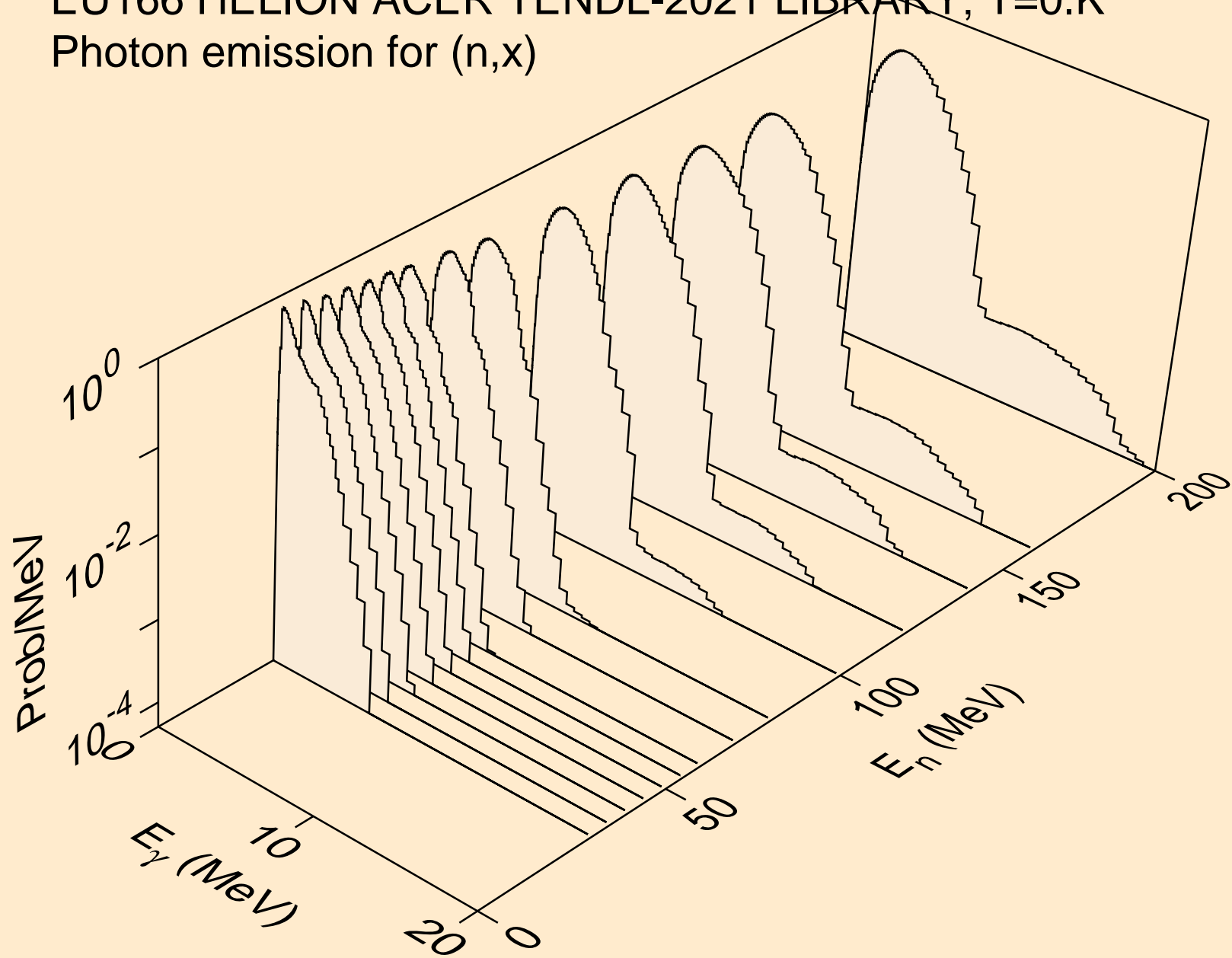
EU166 HELION ACER TENDL-2021 LIBRARY; T=0.K
He-3 emission for inelastic



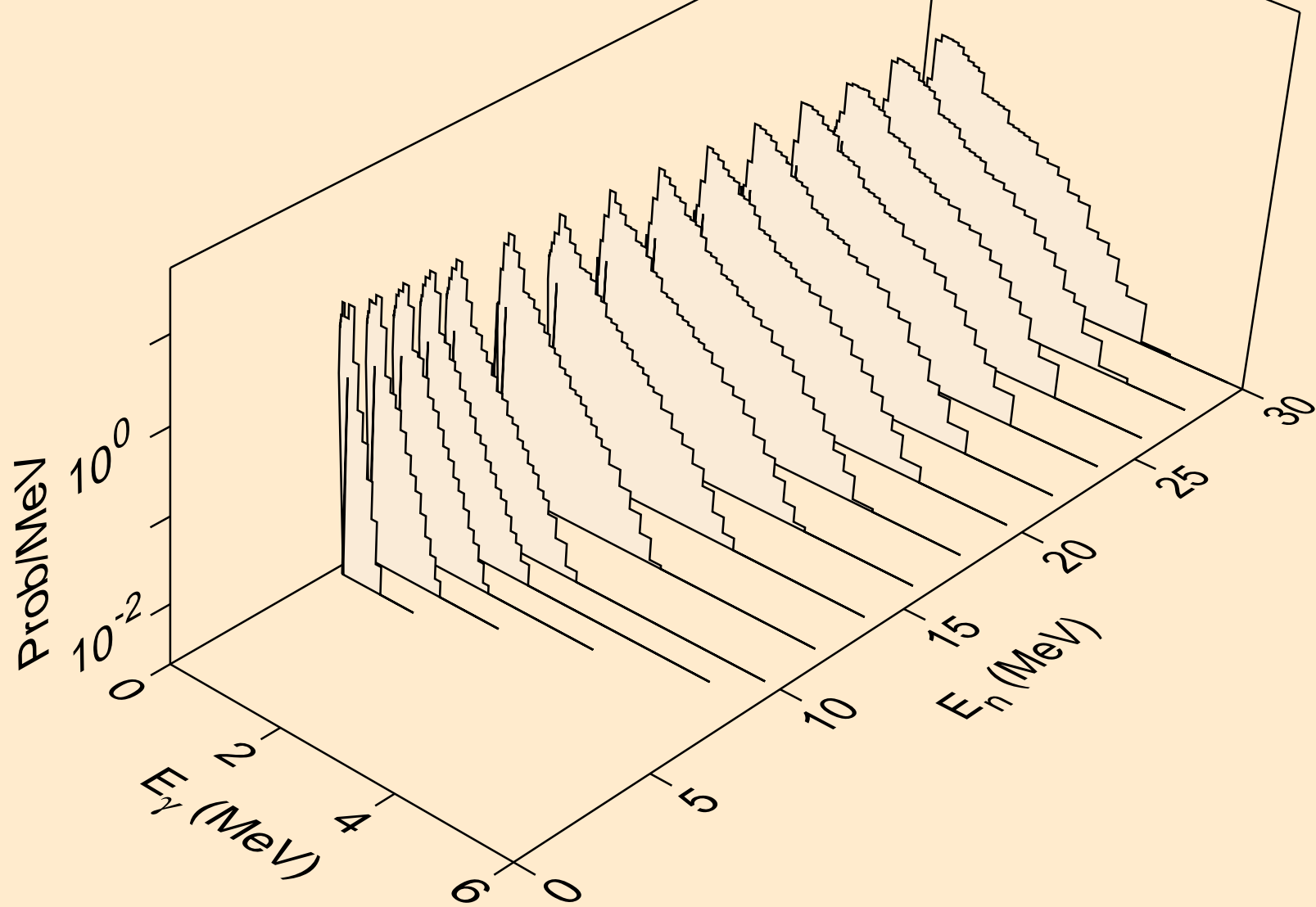
EU166 HELION ACER TENDL-2021 LIBRARY; T=0.K
Photon emission for (z,n)



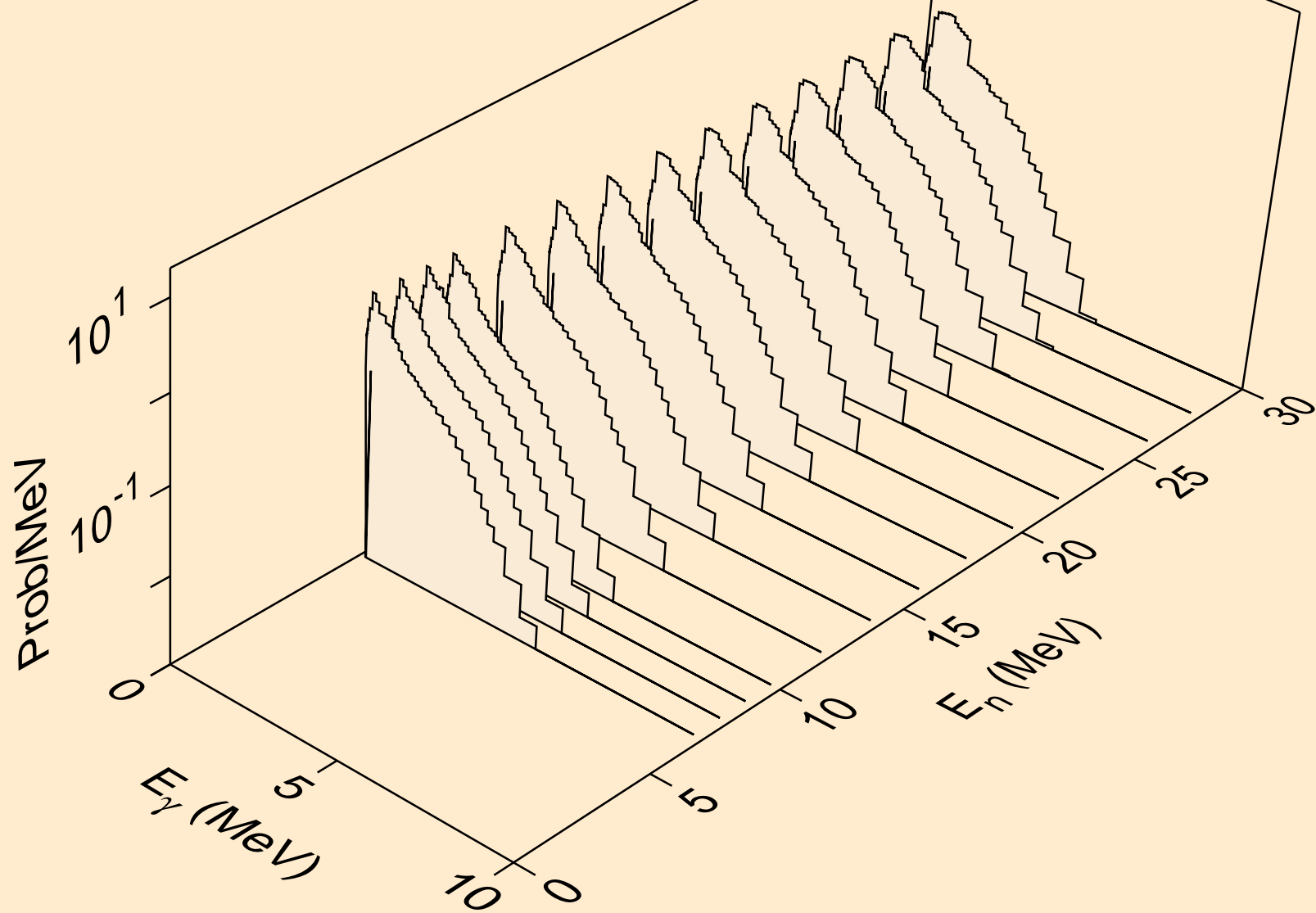
EU166 HELION ACER TENDL-2021 LIBRARY; T=0.K
Photon emission for (n,x)



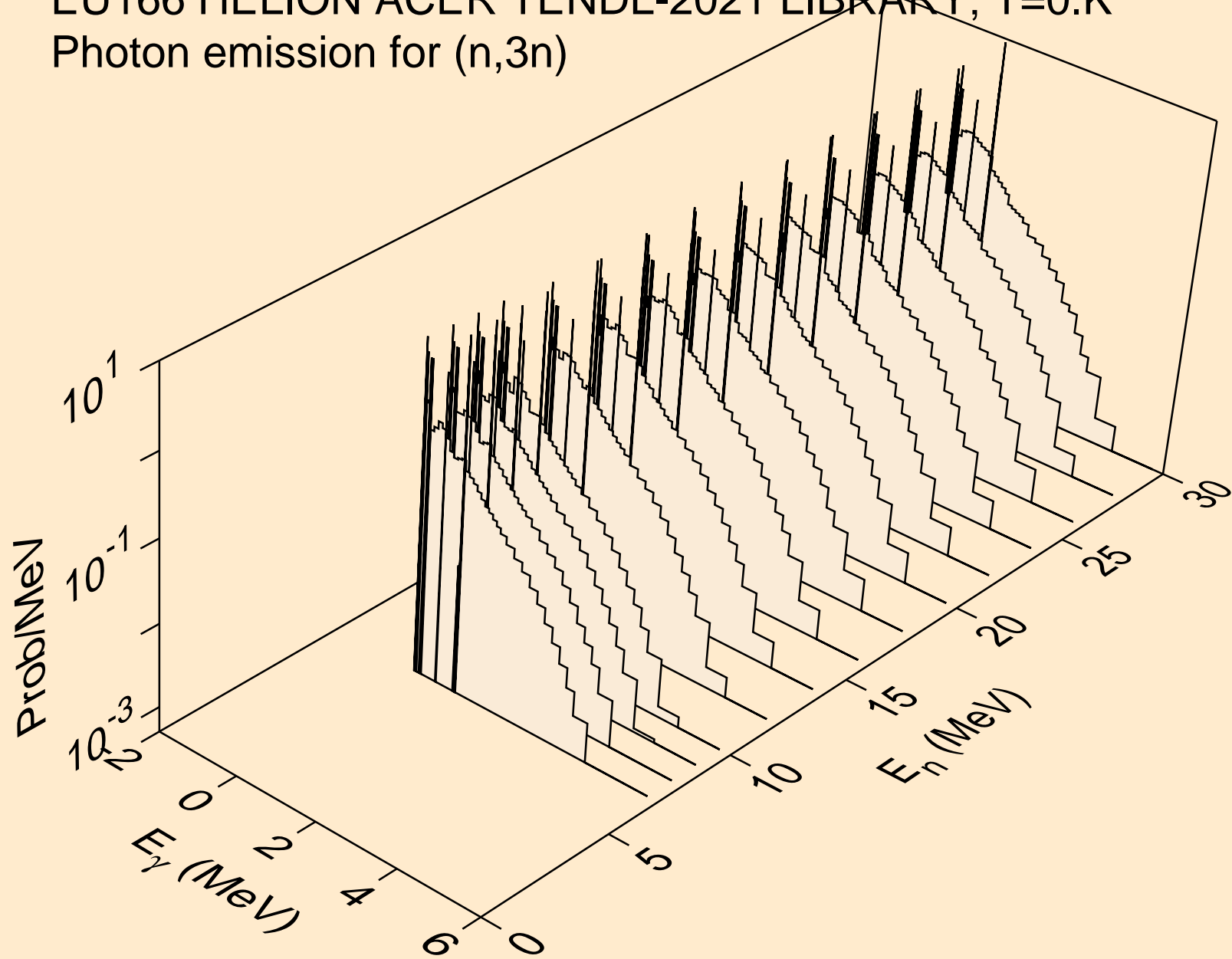
EU166 HELION ACER TENDL-2021 LIBRARY; T=0.K
Photon emission for (n,2nd)



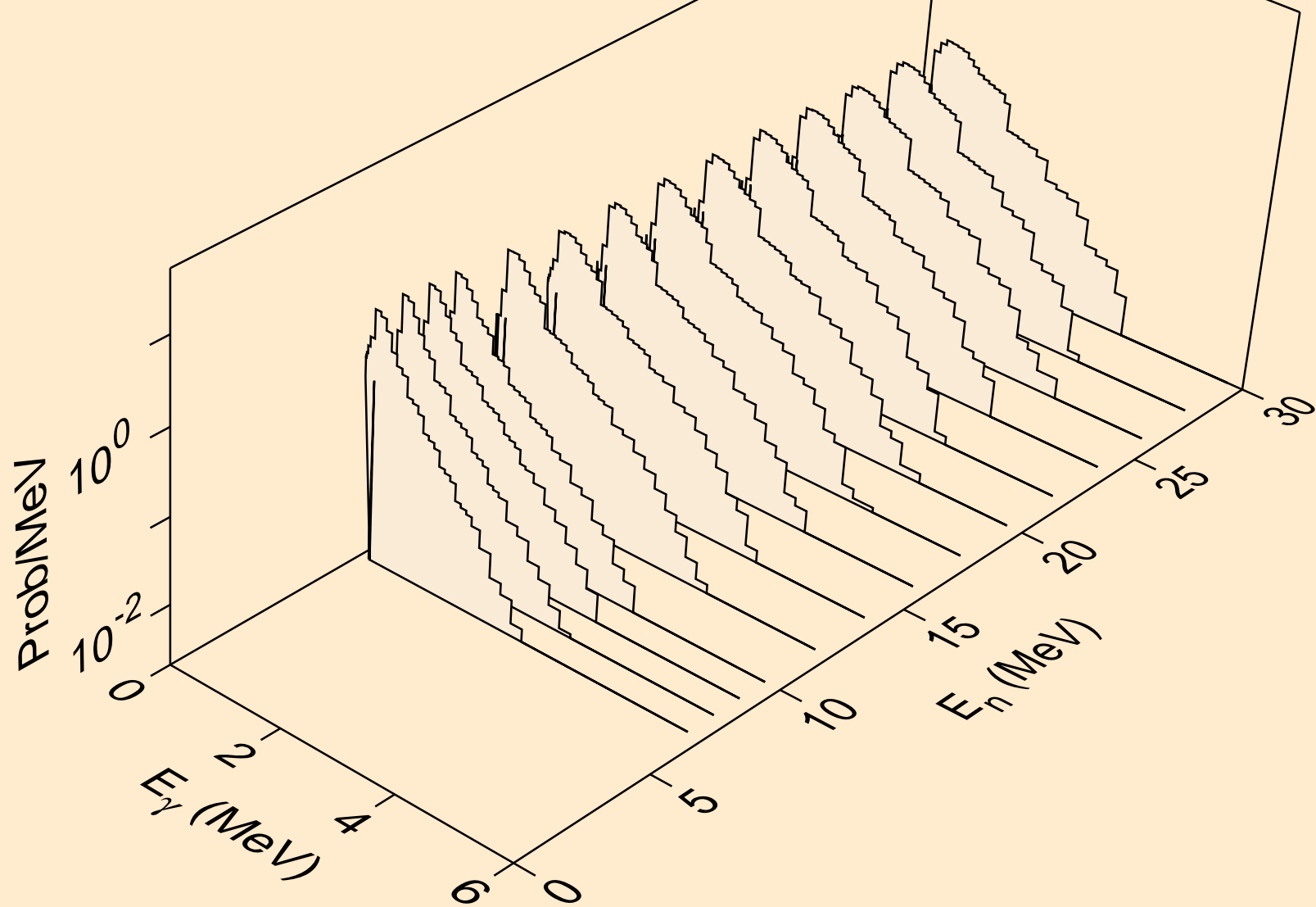
EU166 HELION ACER TENDL-2021 LIBRARY; T=0.K
Photon emission for (n,2n)



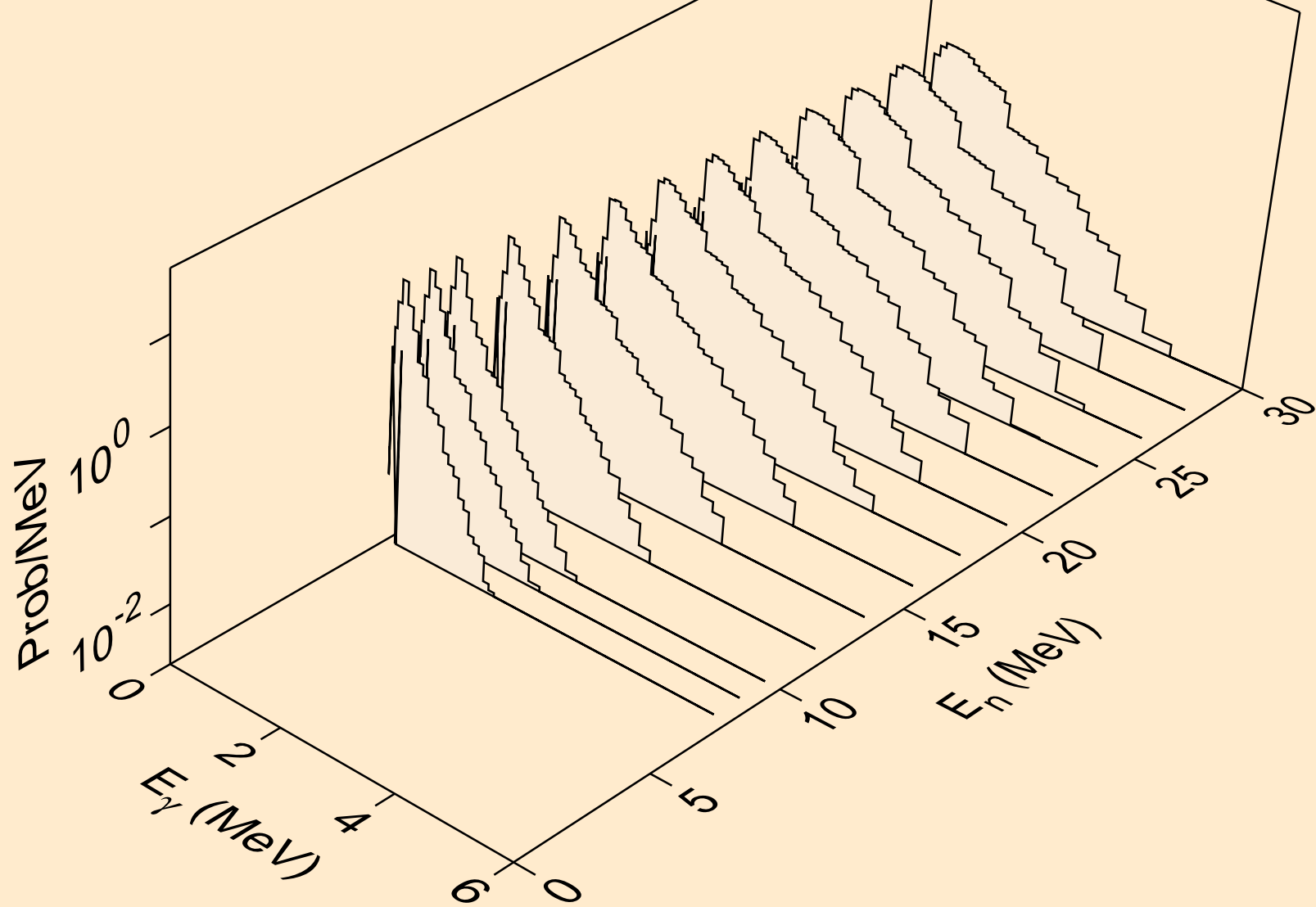
EU166 HELION ACER TENDL-2021 LIBRARY; T=0.K
Photon emission for (n,3n)



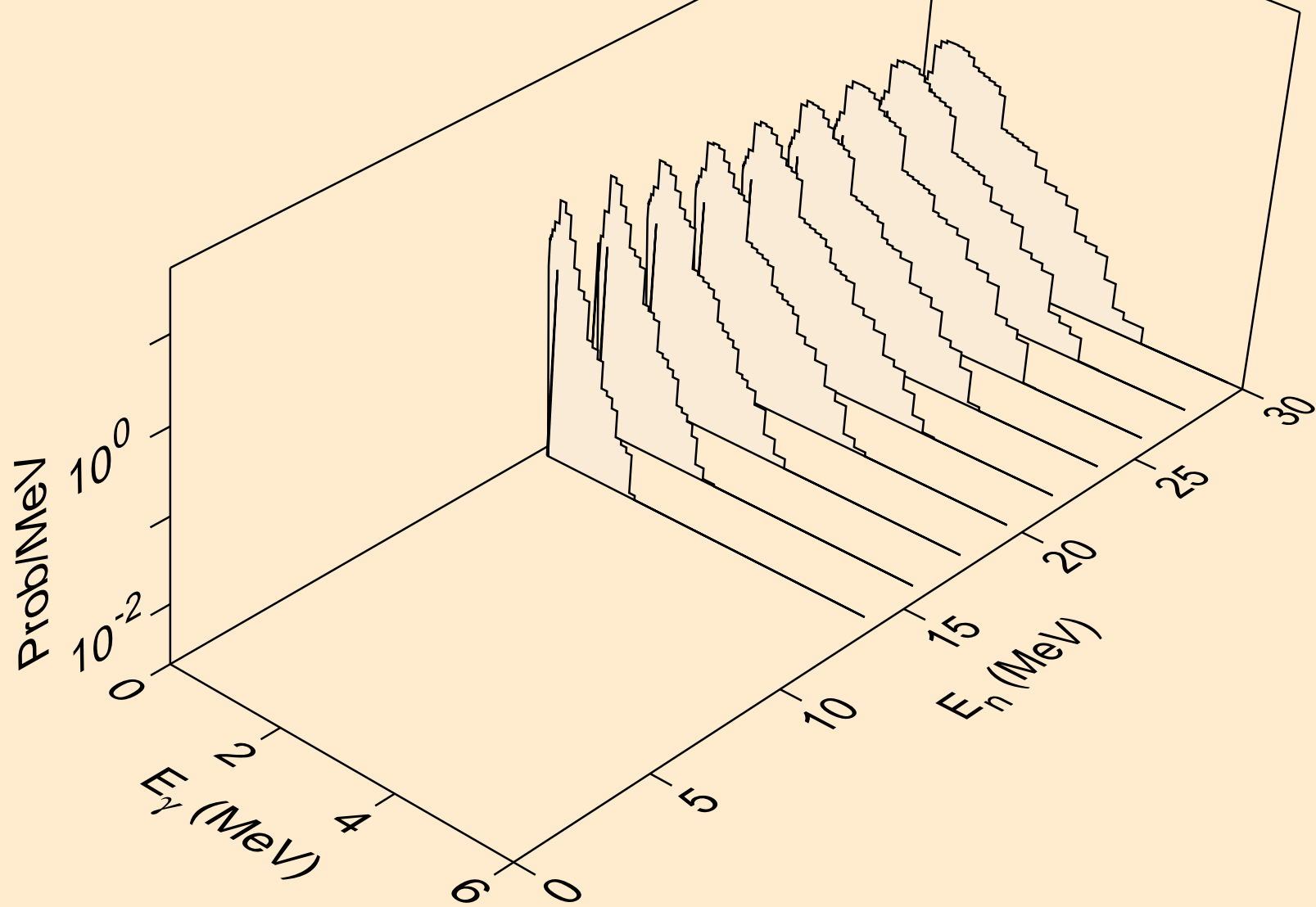
EU166 HELION ACER TENDL-2021 LIBRARY; T=0.K
Photon emission for (n,n*)a



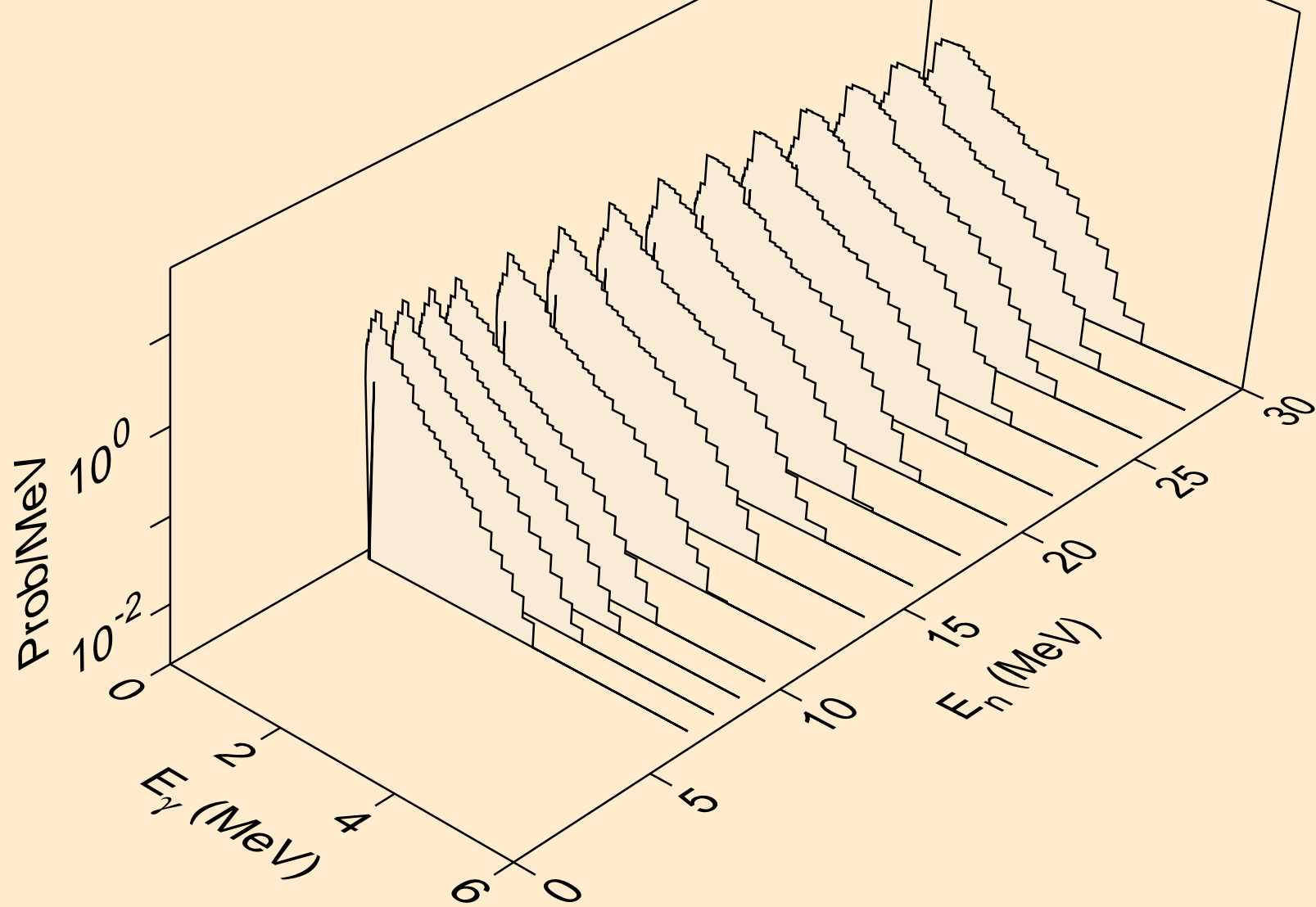
EU166 HELION ACER TENDL-2021 LIBRARY; T=0.K
Photon emission for (n,2n)a



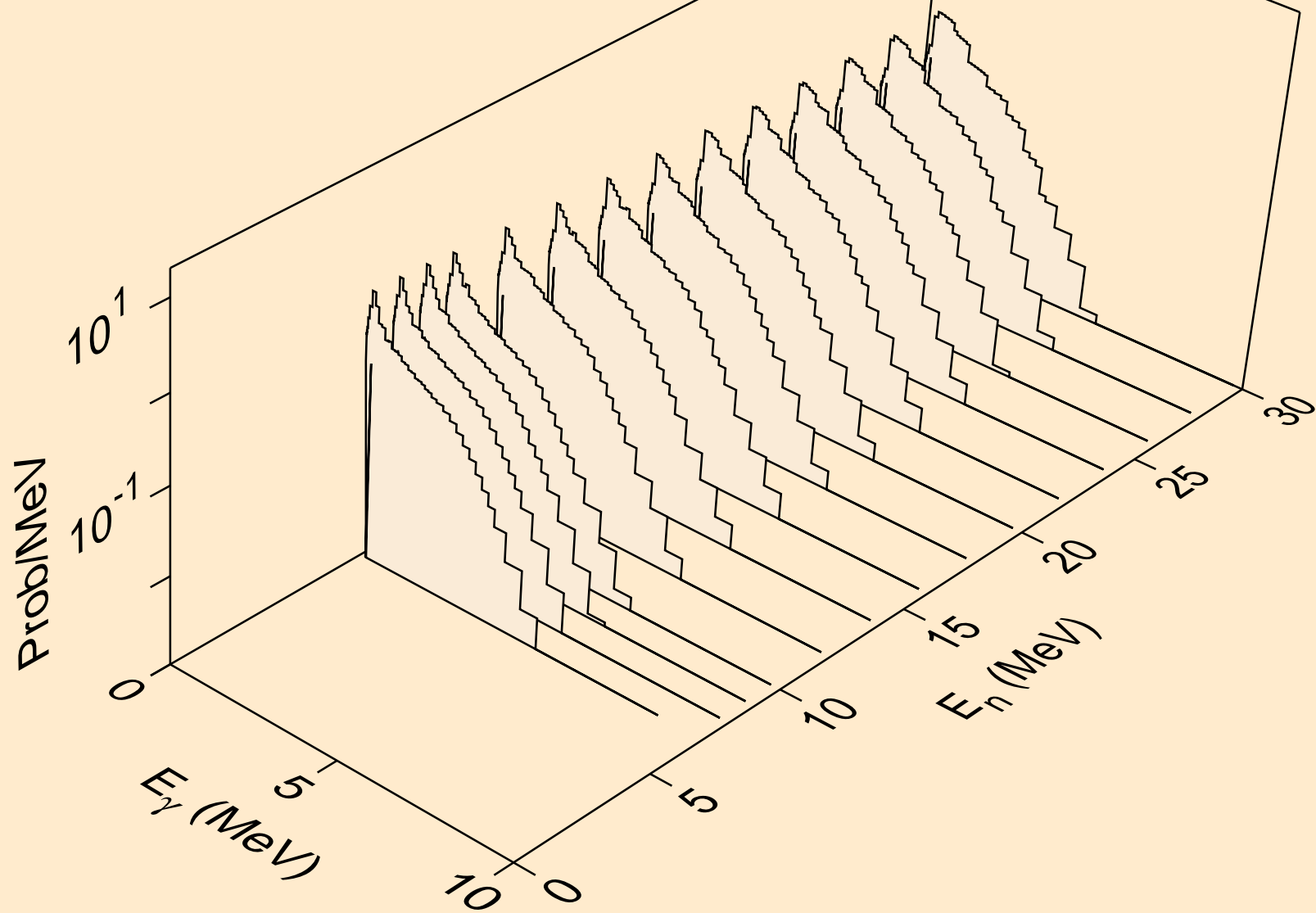
EU166 HELION ACER TENDL-2021 LIBRARY; T=0.K
Photon emission for (n,3n)a



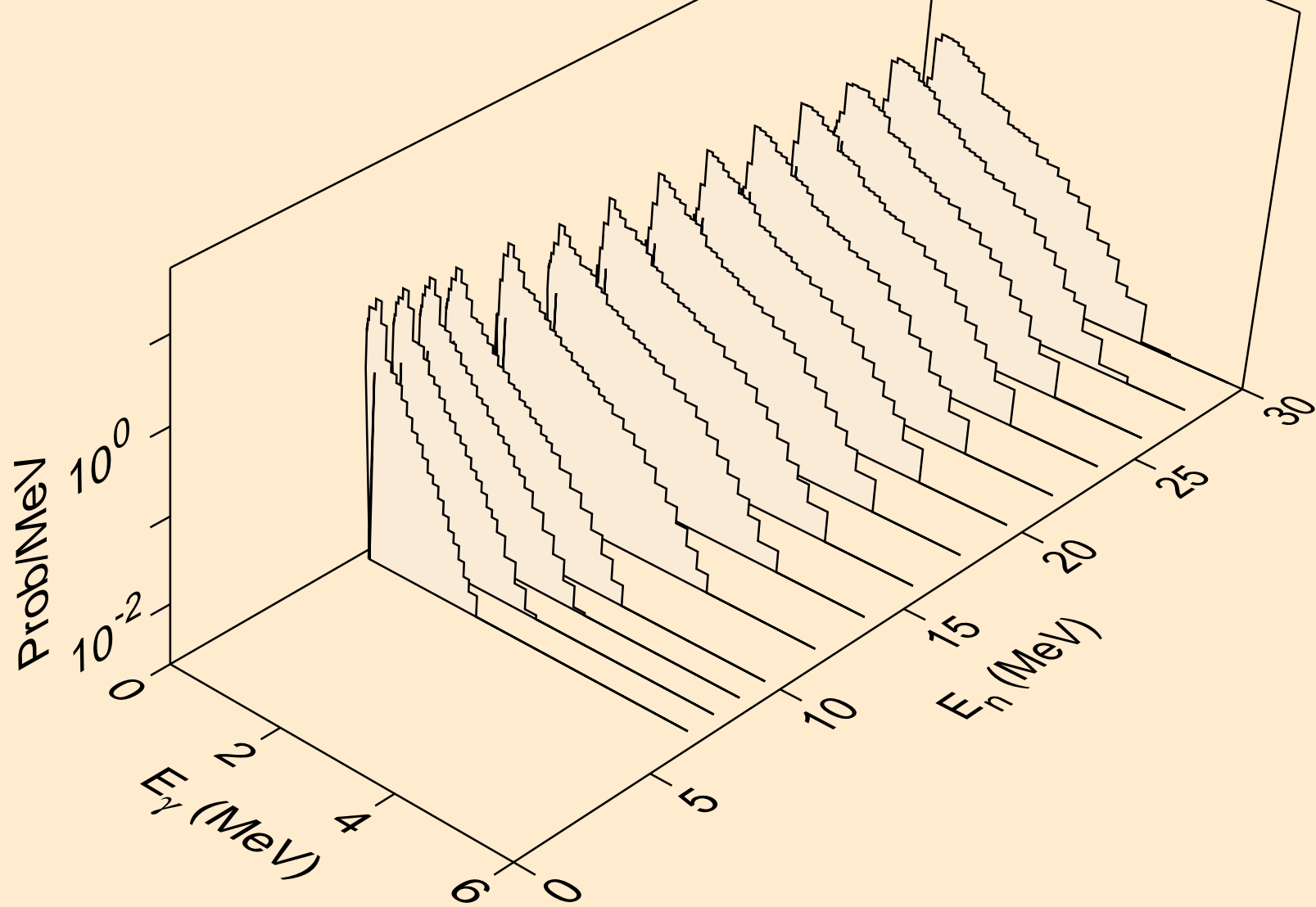
EU166 HELION ACER TENDL-2021 LIBRARY; T=0.K
Photon emission for (n,n*)p



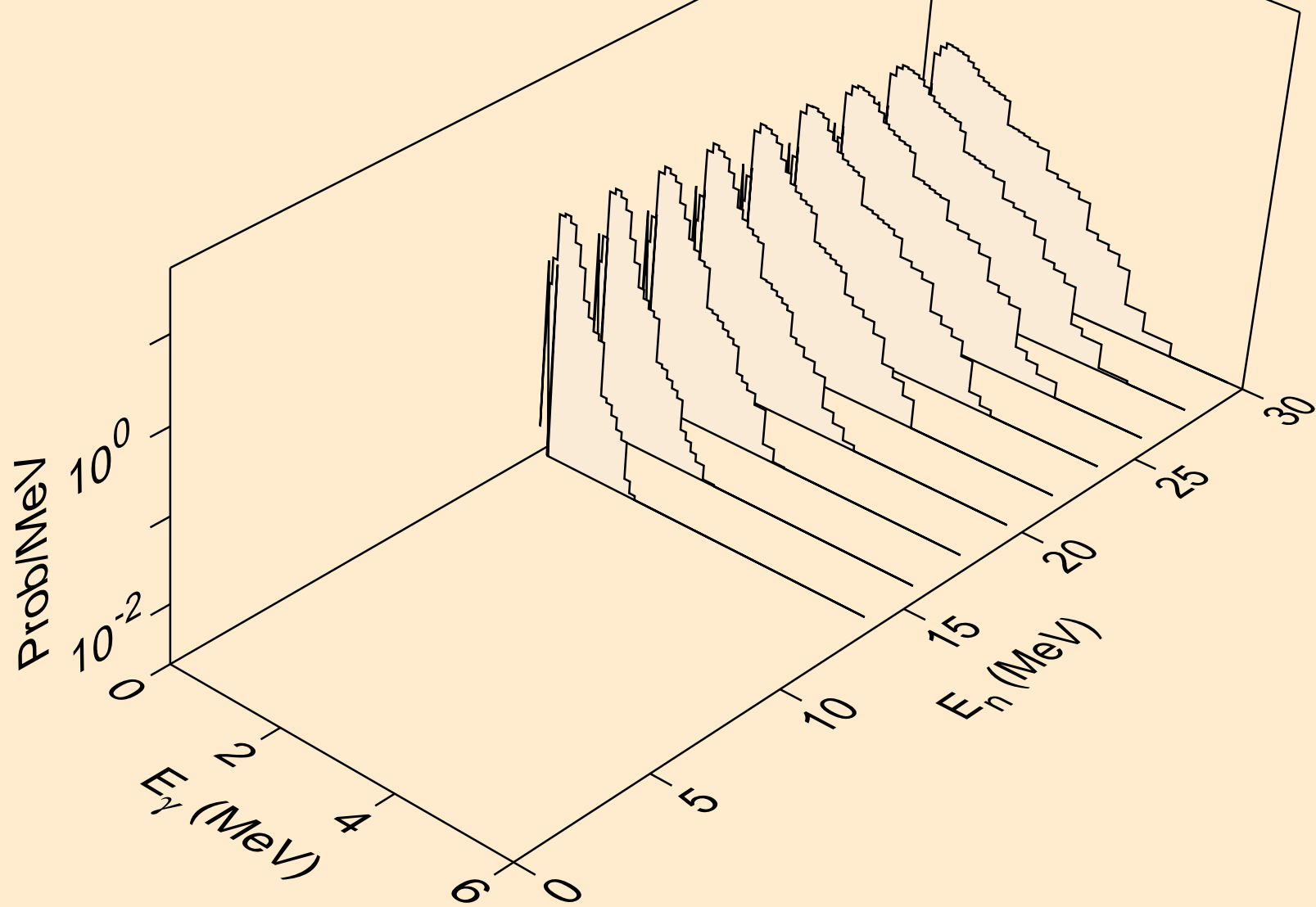
EU166 HELION ACER TENDL-2021 LIBRARY; T=0.K
Photon emission for (n,n*)d



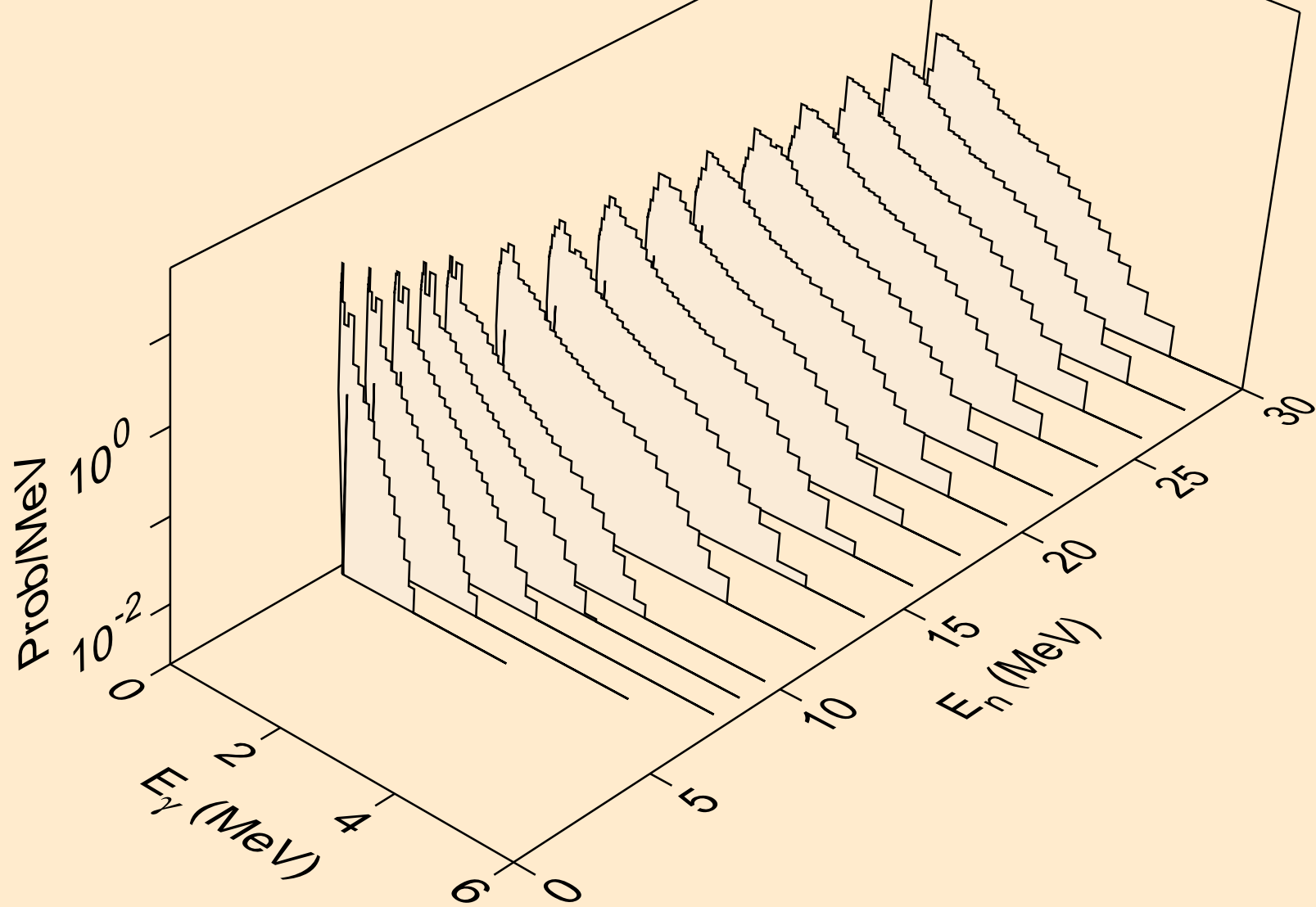
EU166 HELION ACER TENDL-2021 LIBRARY; T=0.K
Photon emission for (n,n*)t



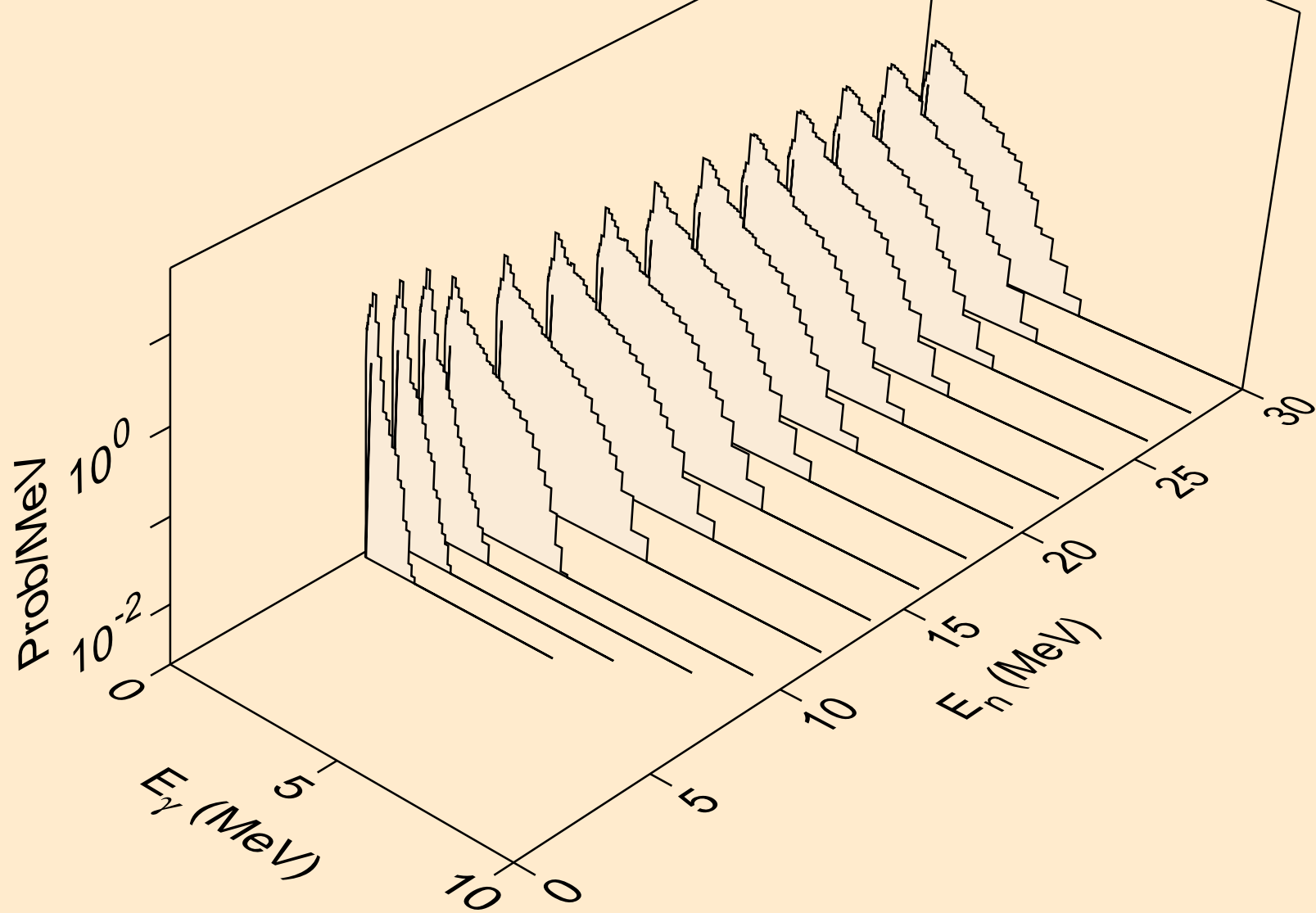
EU166 HELION ACER TENDL-2021 LIBRARY; T=0.K
Photon emission for (n,n*)he3



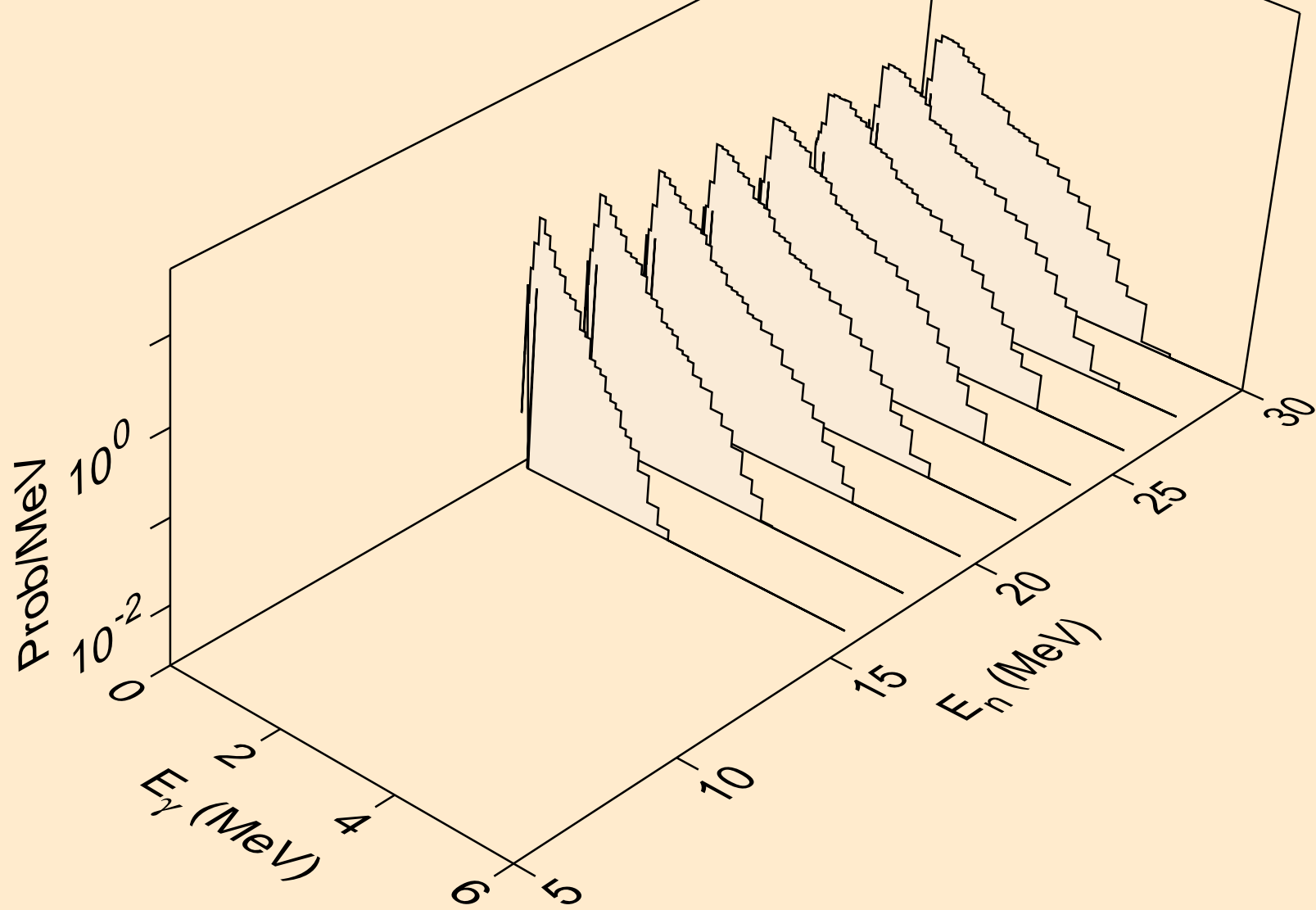
EU166 HELION ACER TENDL-2021 LIBRARY; T=0.K
Photon emission for (n,4n)



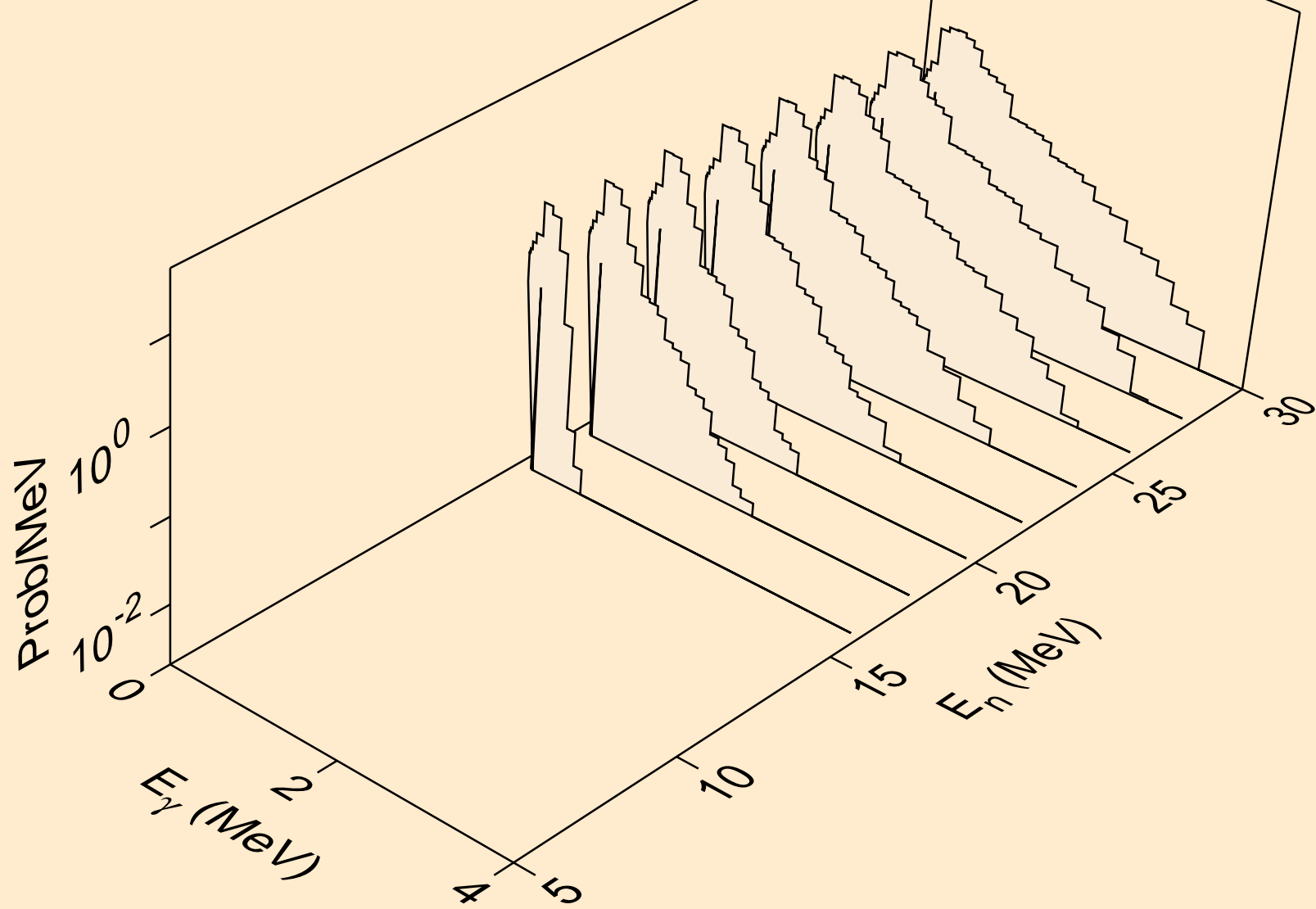
EU166 HELION ACER TENDL-2021 LIBRARY; T=0.K
Photon emission for (n,2np)



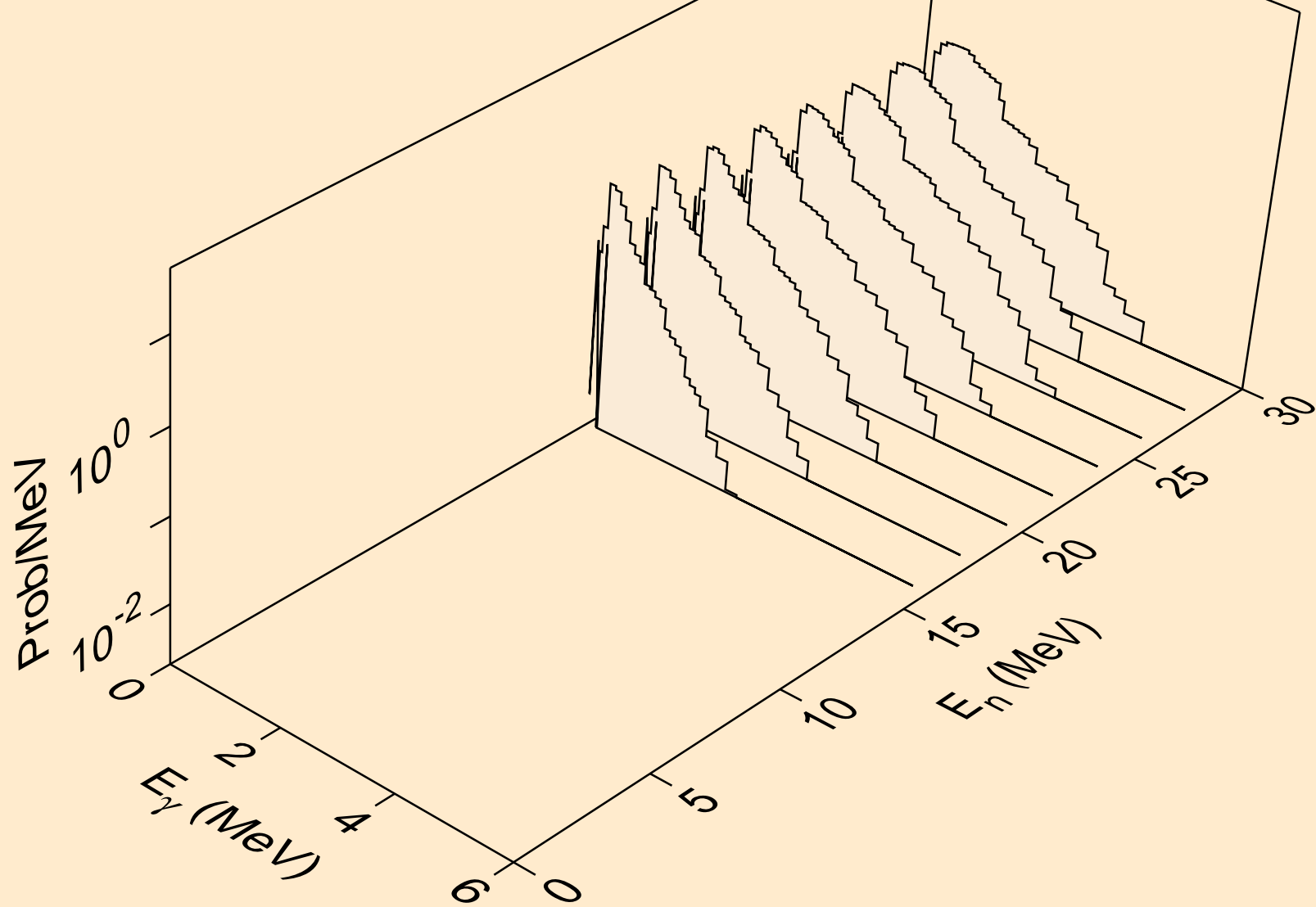
EU166 HELION ACER TENDL-2021 LIBRARY; T=0.K
Photon emission for (n,3np)



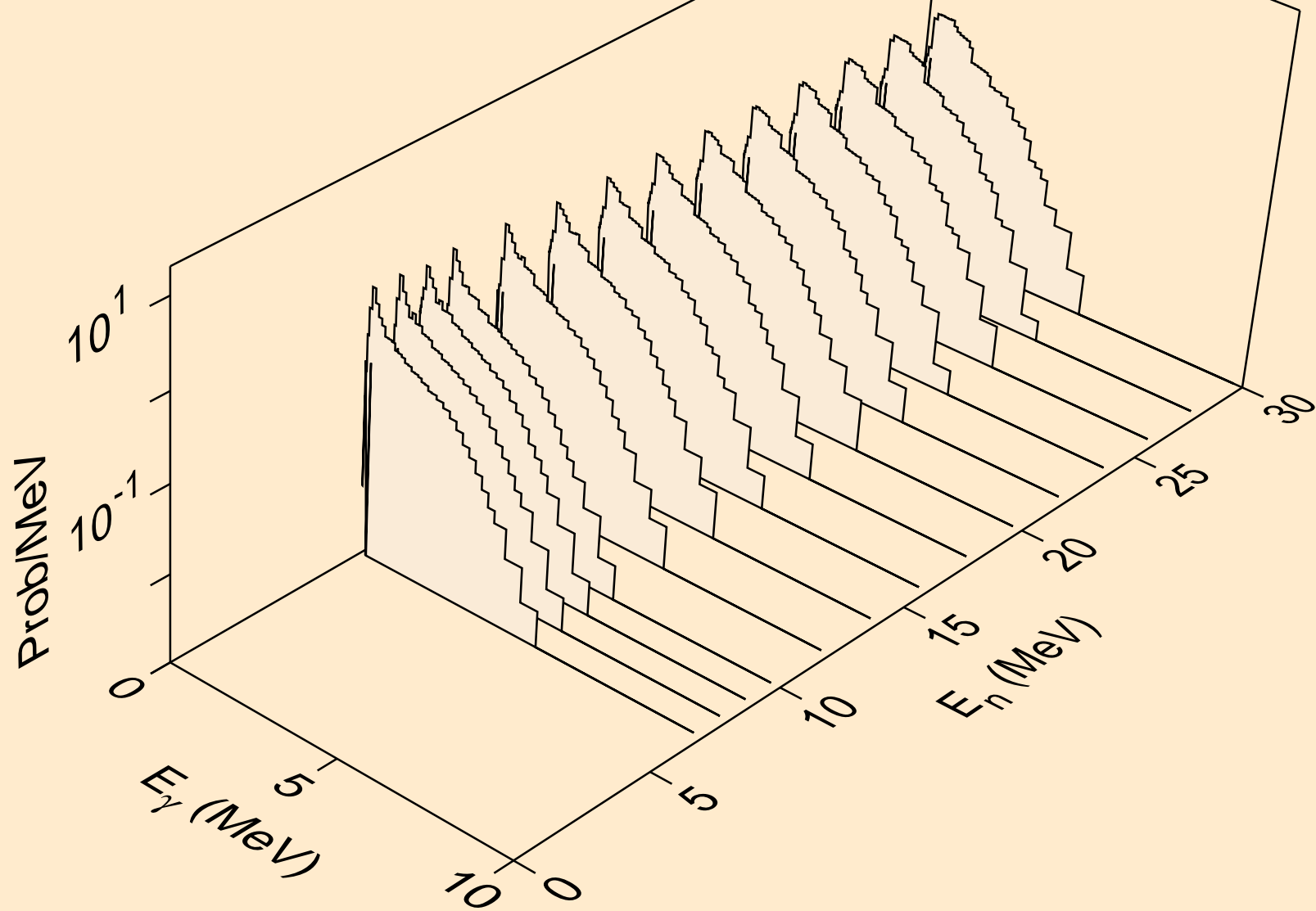
EU166 HELION ACER TENDL-2021 LIBRARY; T=0.K
Photon emission for (n,2np)



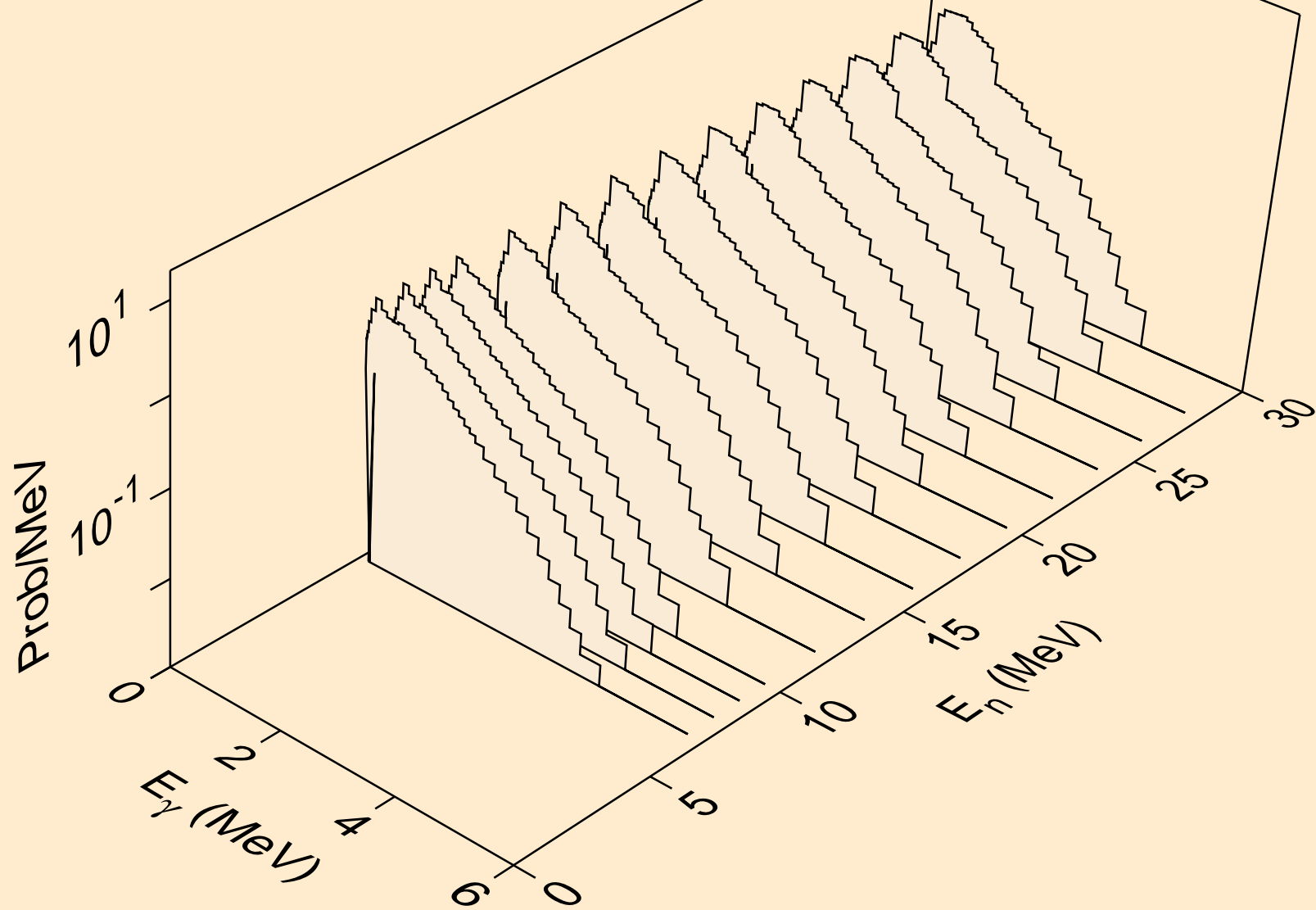
EU166 HELION ACER TENDL-2021 LIBRARY; T=0.K
Photon emission for (n,npa)



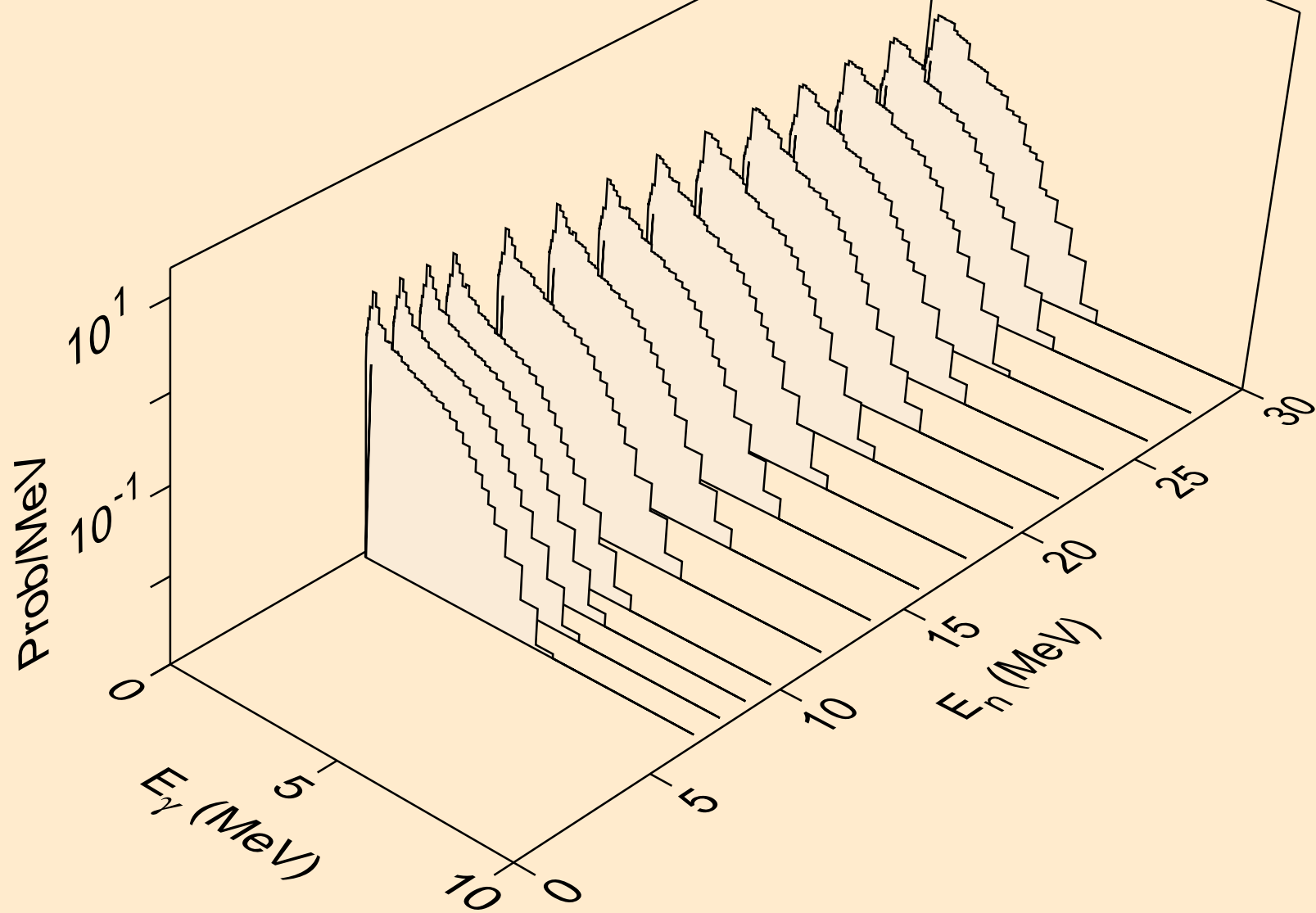
EU166 HELION ACER TENDL-2021 LIBRARY; T=0.K
Photon emission for (n,p)



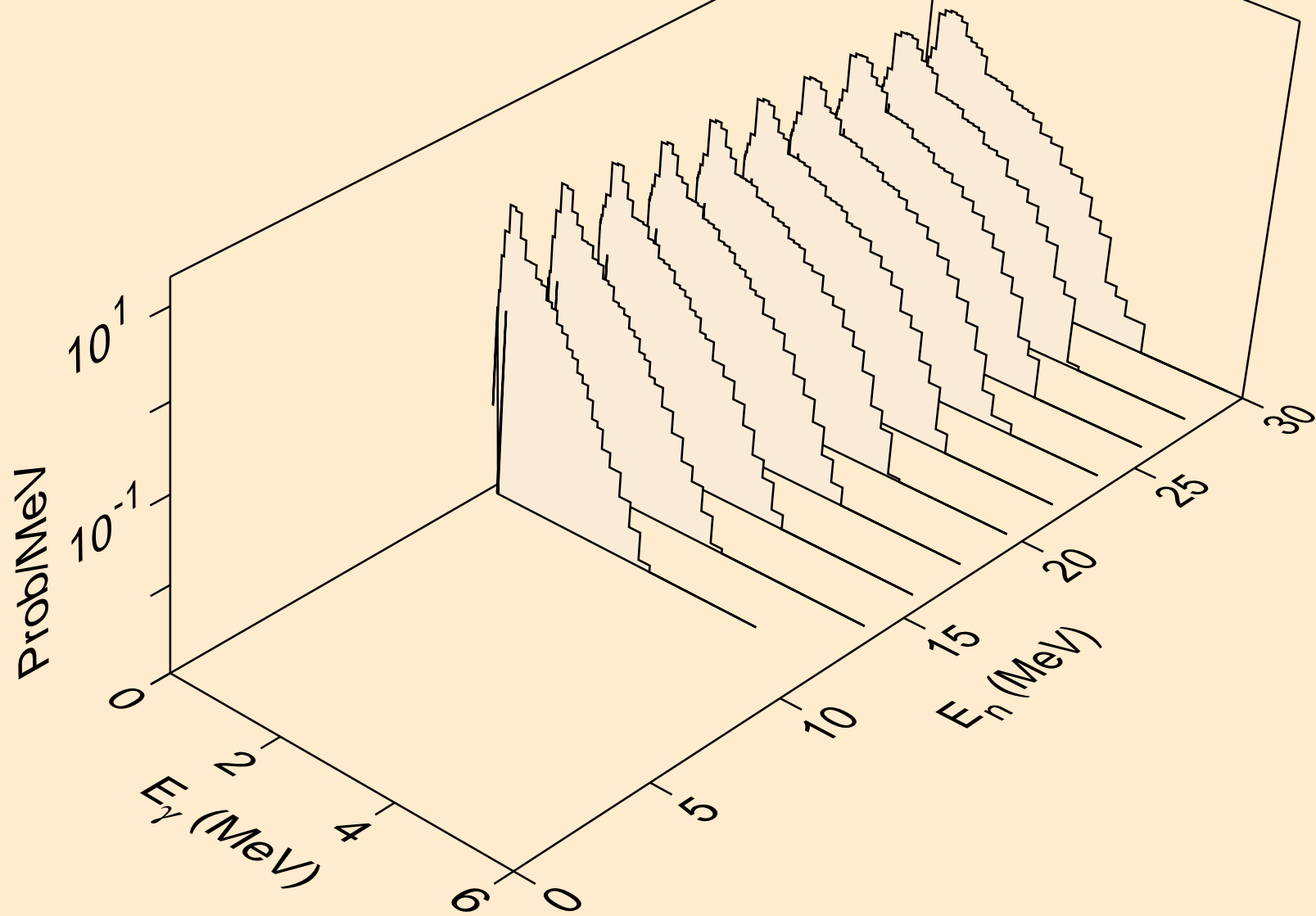
EU166 HELION ACER TENDL-2021 LIBRARY; T=0.K
Photon emission for (n,d)



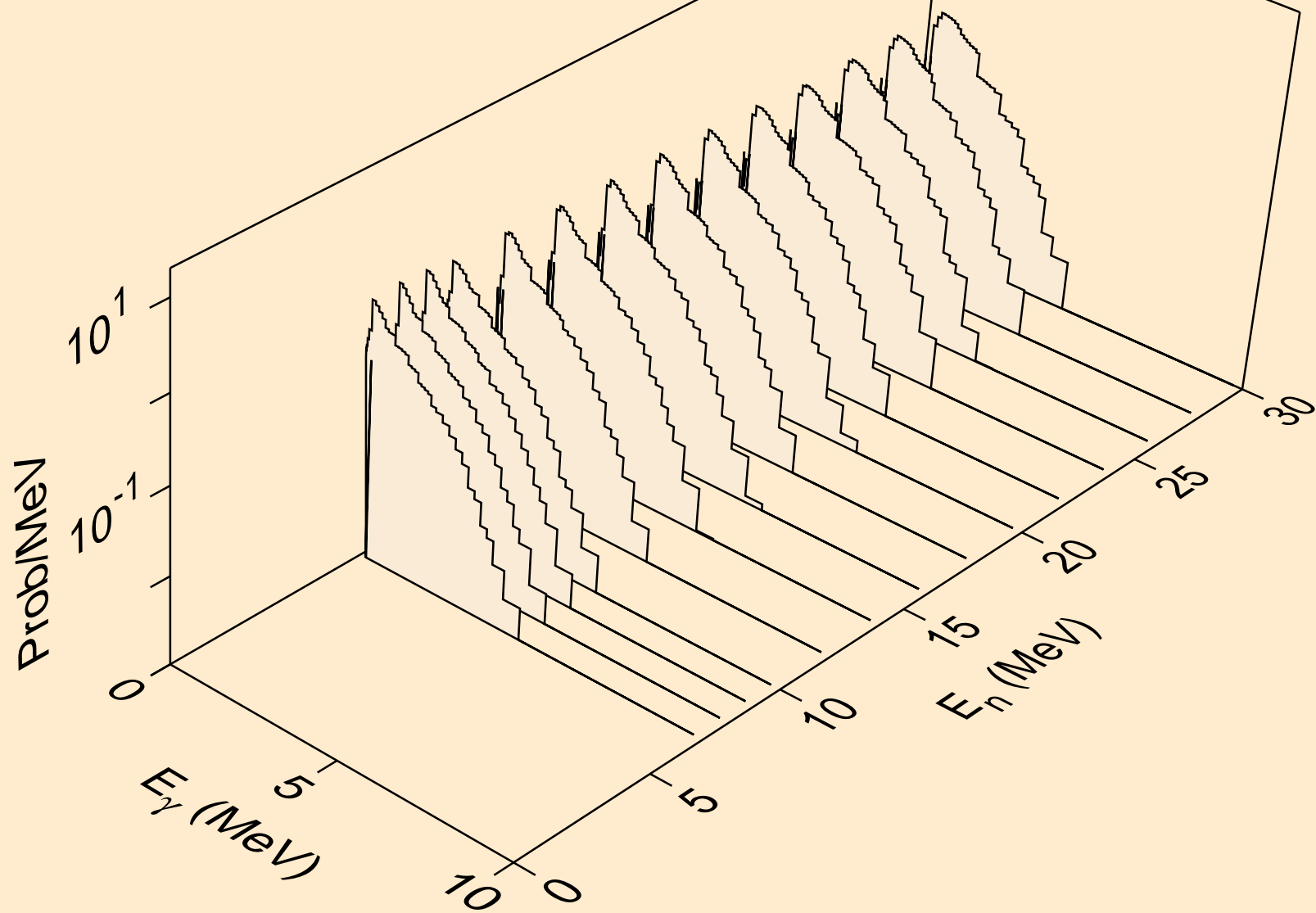
EU166 HELION ACER TENDL-2021 LIBRARY; T=0.K
Photon emission for (n,t)



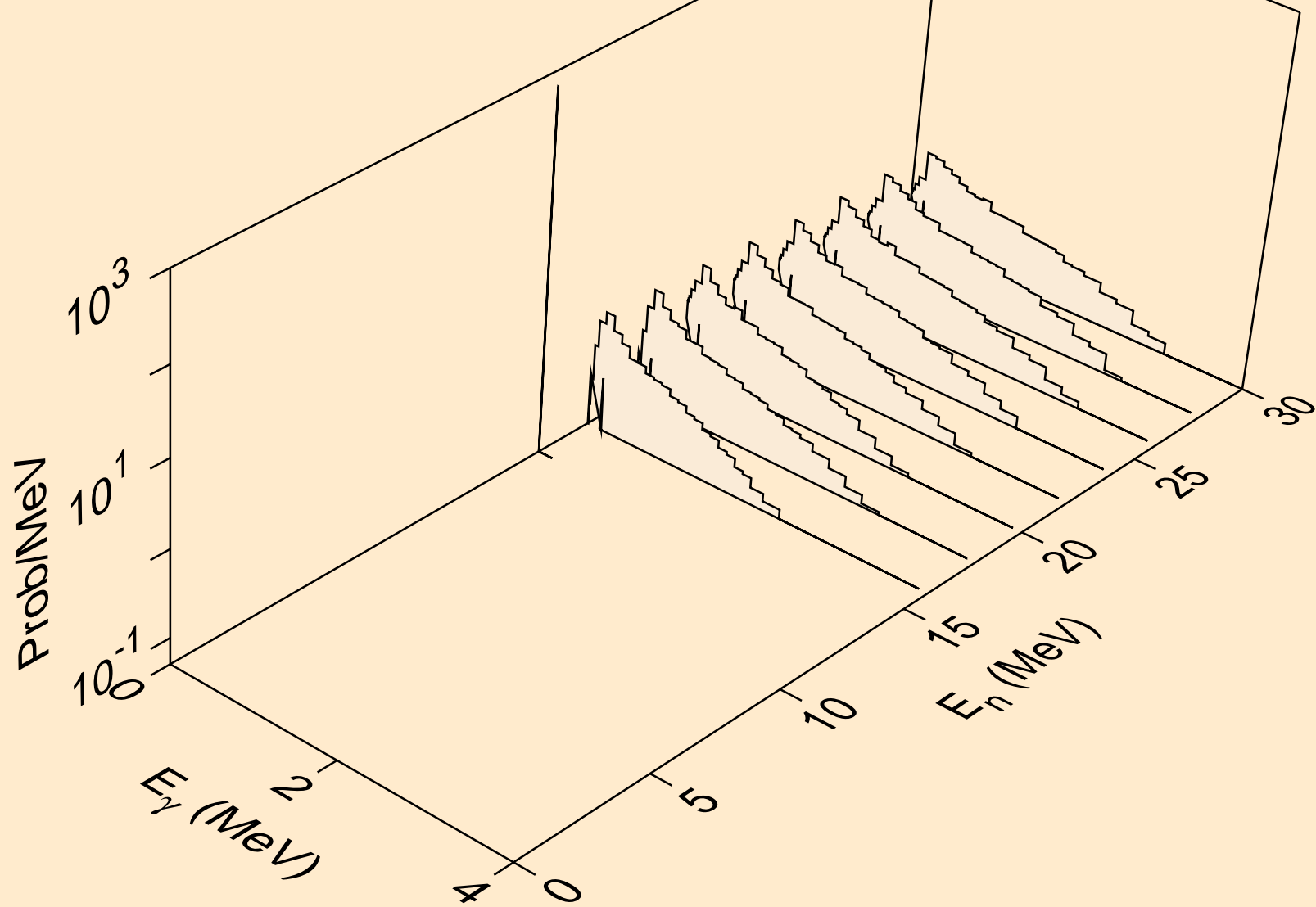
EU166 HELION ACER TENDL-2021 LIBRARY; T=0.K
Photon emission for inelastic



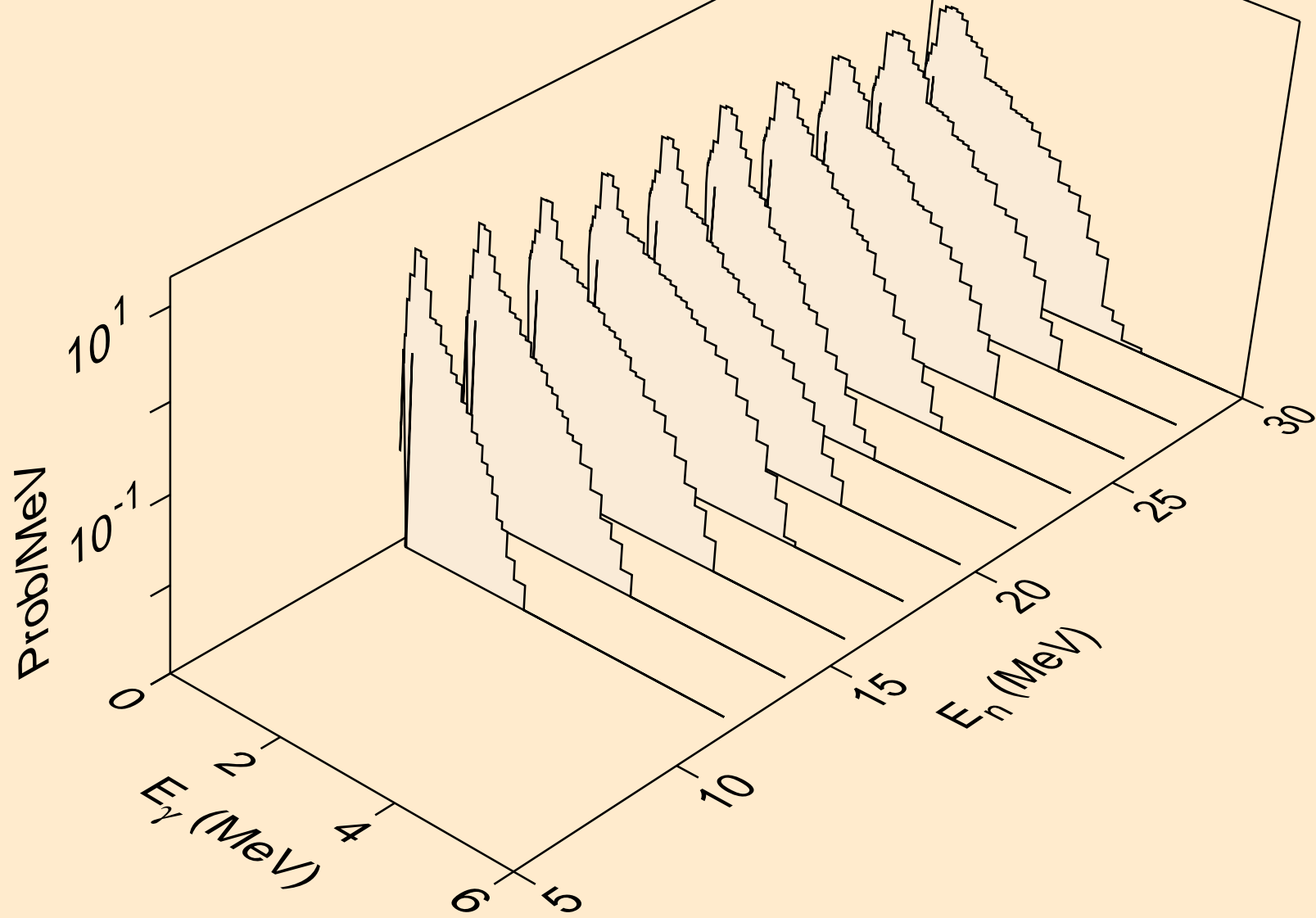
EU166 HELION ACER TENDL-2021 LIBRARY; T=0.K
Photon emission for (n,a)



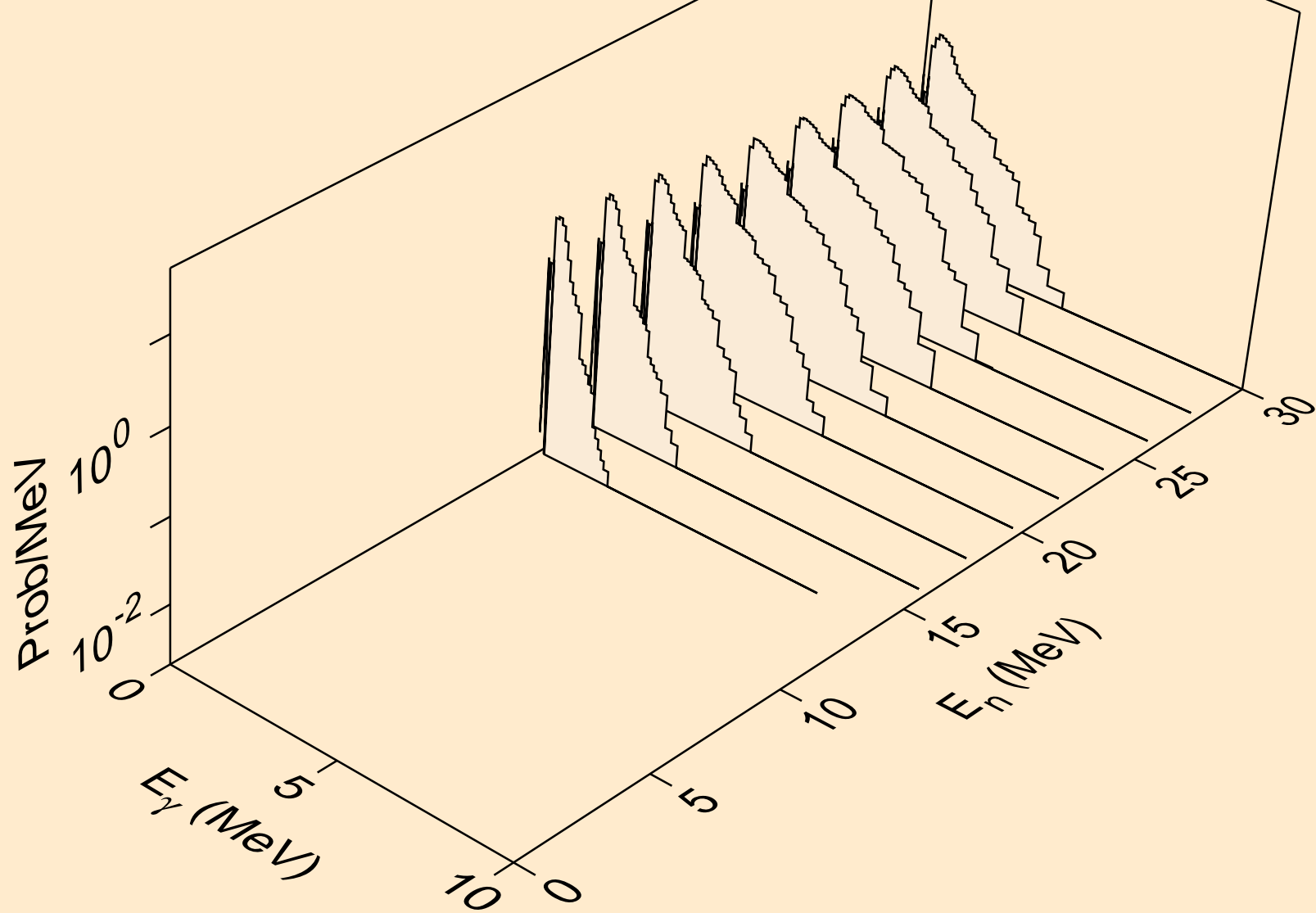
EU166 HELION ACER TENDL-2021 LIBRARY; T=0.K
Photon emission for (n,2p)



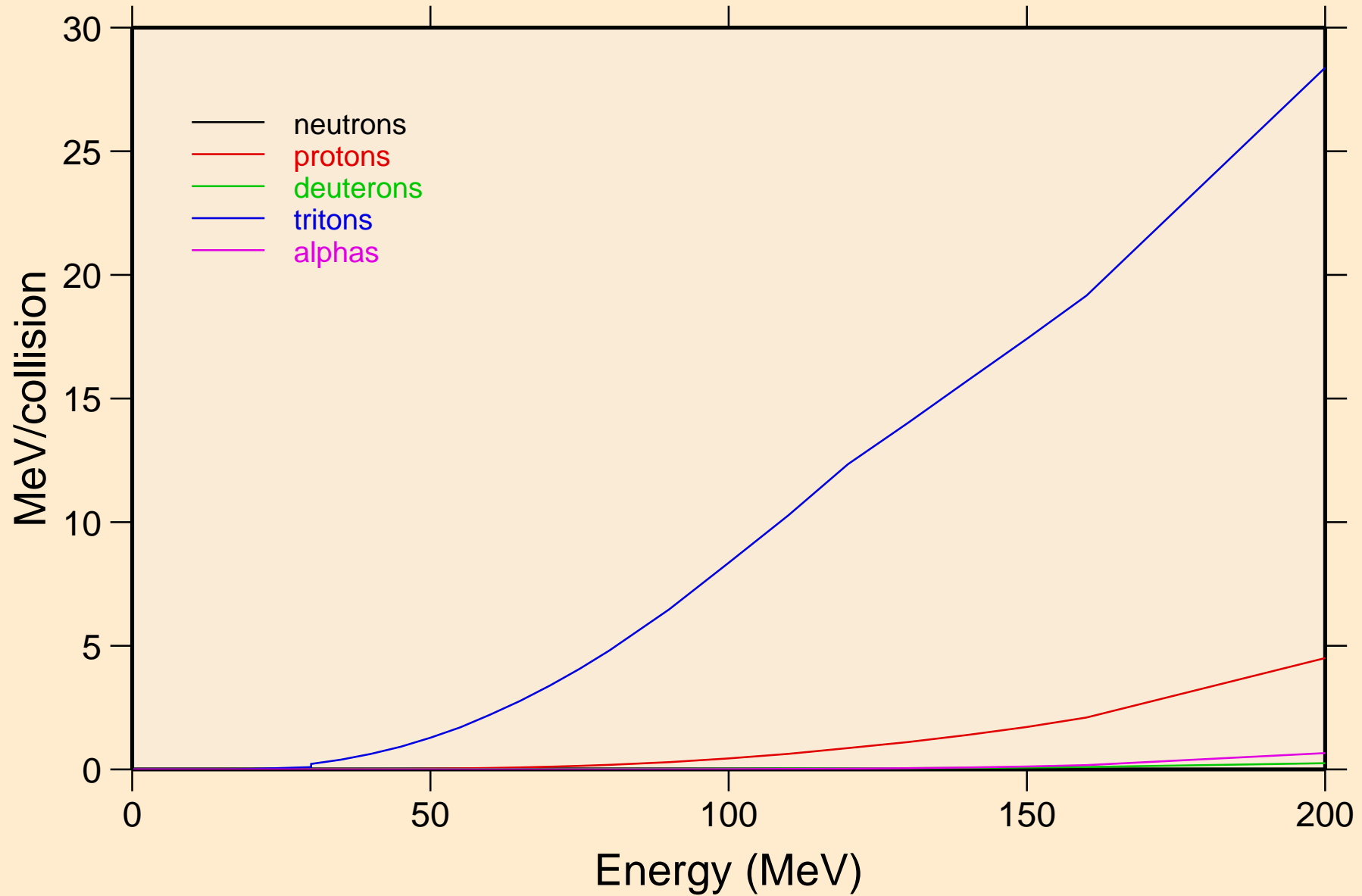
EU166 HELION ACER TENDL-2021 LIBRARY; T=0.K
Photon emission for (n,pd)



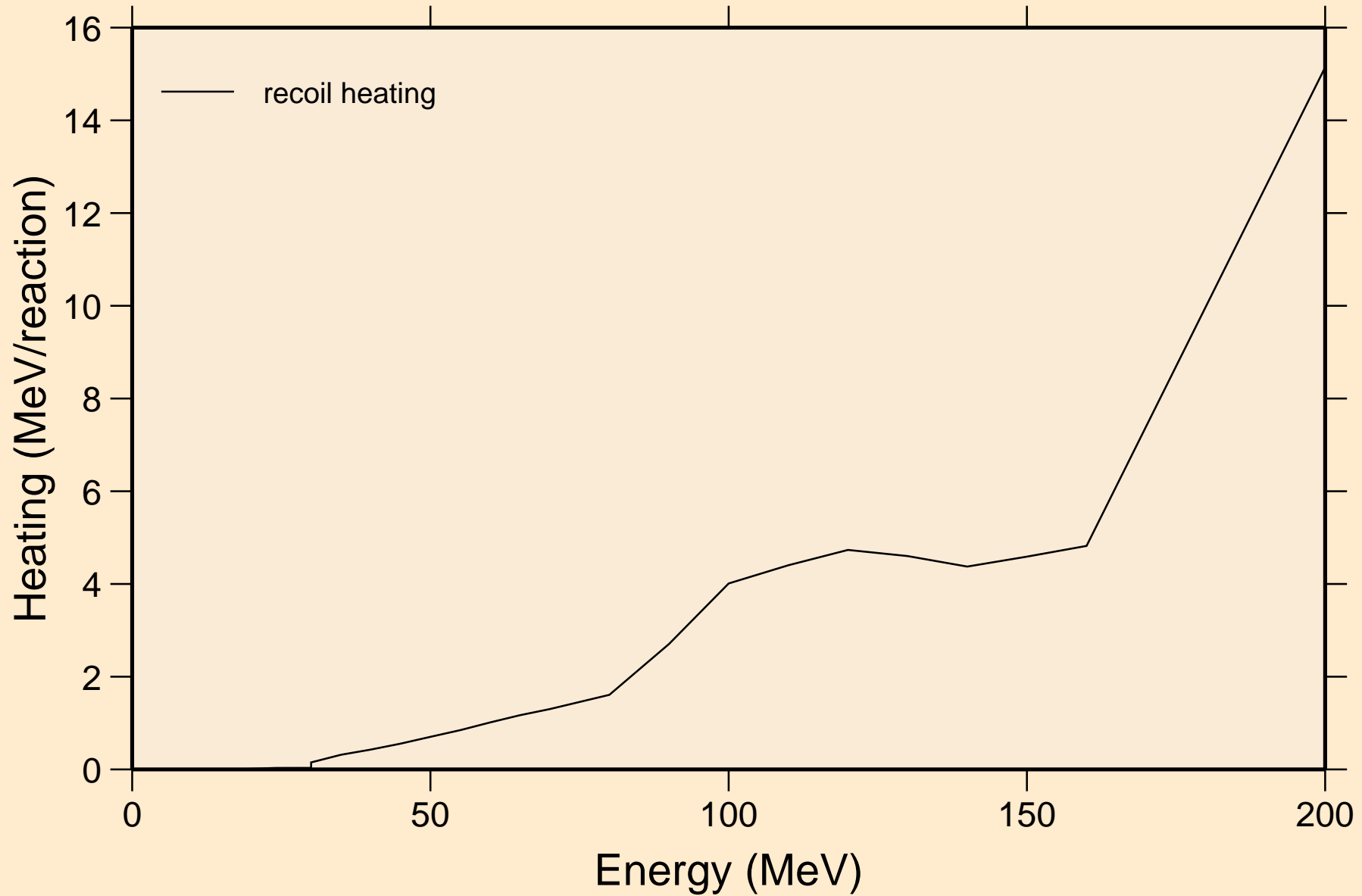
EU166 HELION ACER TENDL-2021 LIBRARY; T=0.K
Photon emission for (n,pt)



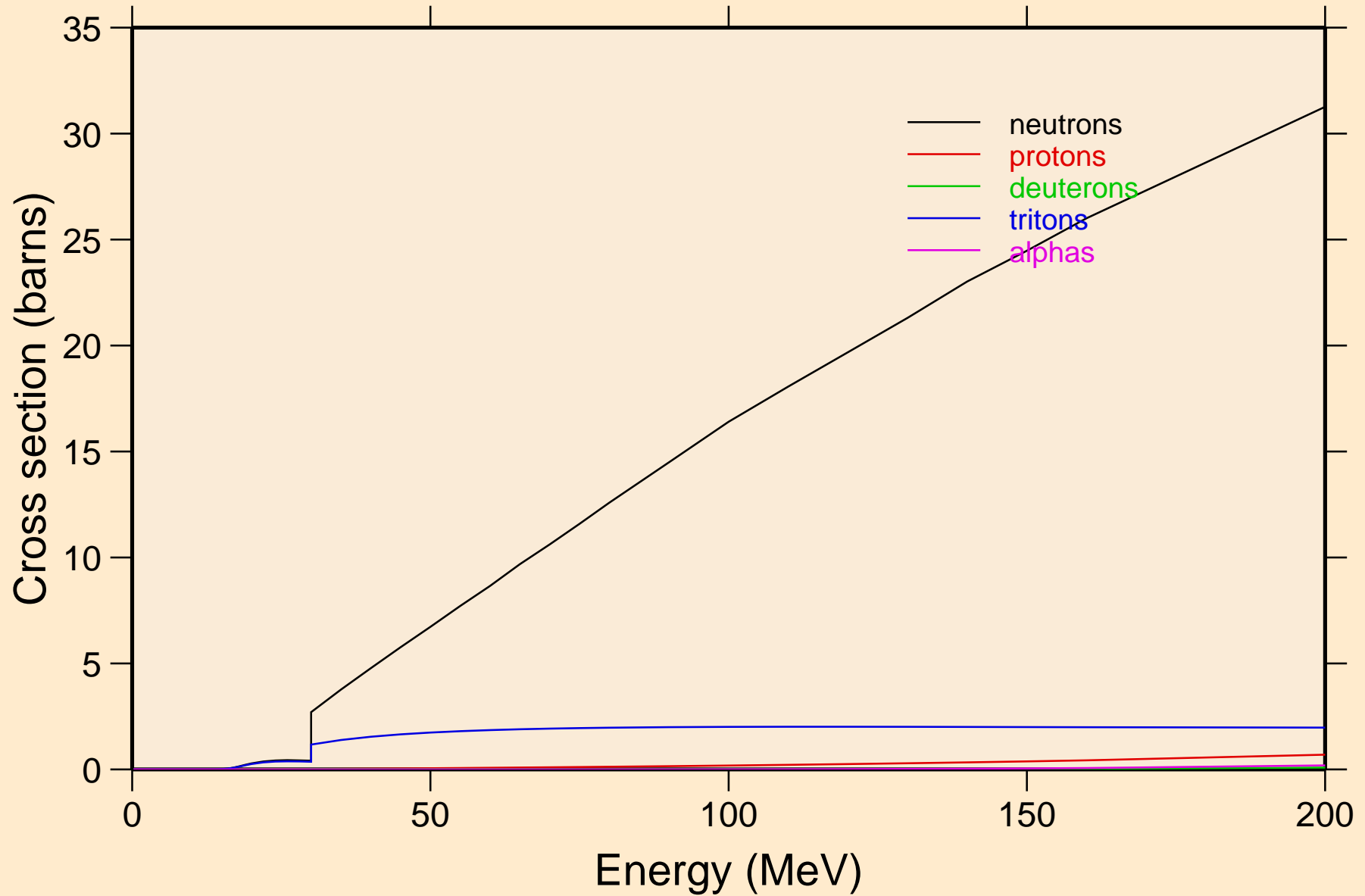
EU166 HELION ACER TENDL-2021 LIBRARY; T=0.K
Particle heating contributions



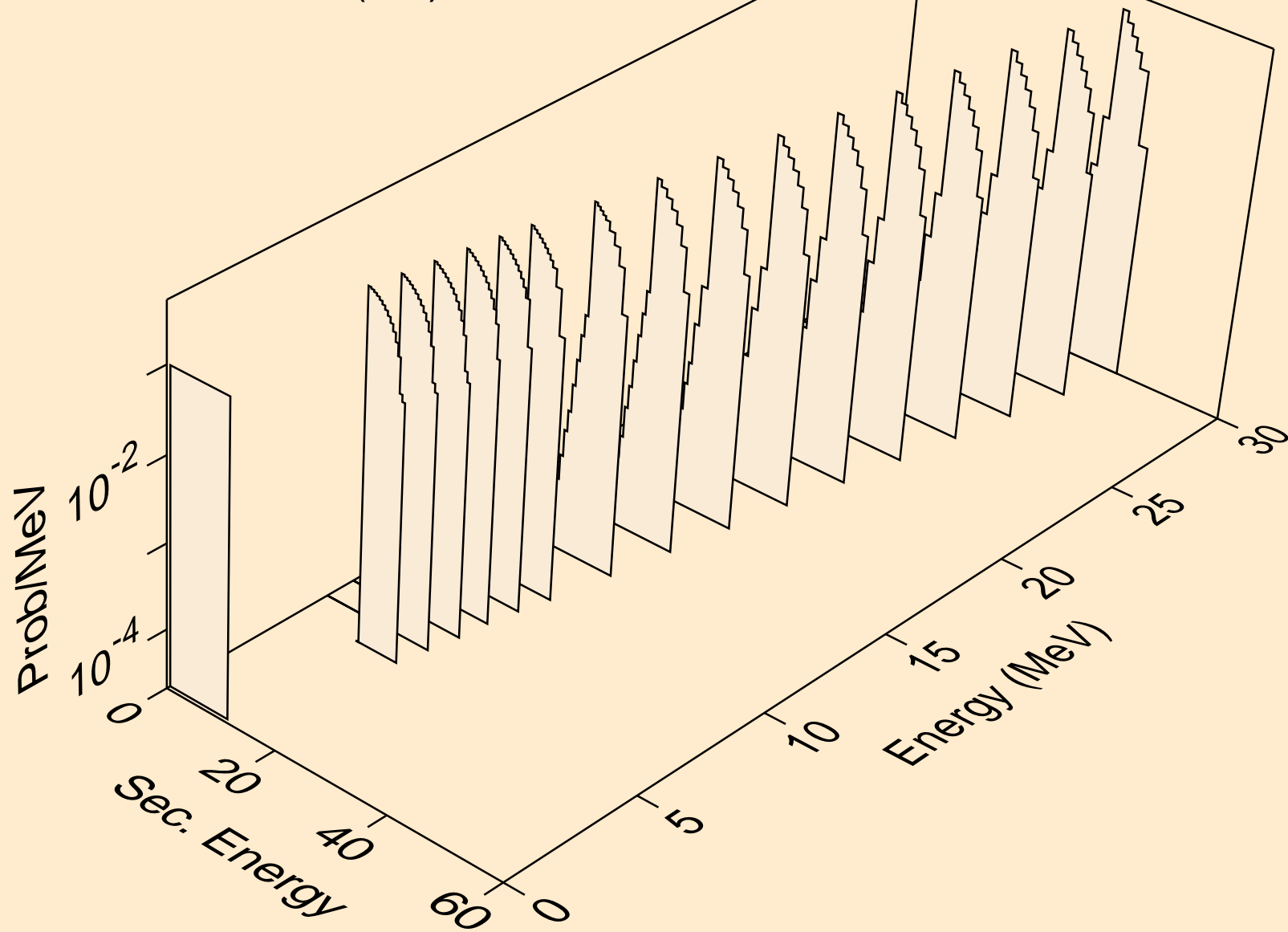
EU166 HELION ACER TENDL-2021 LIBRARY; T=0.K
Recoil Heating



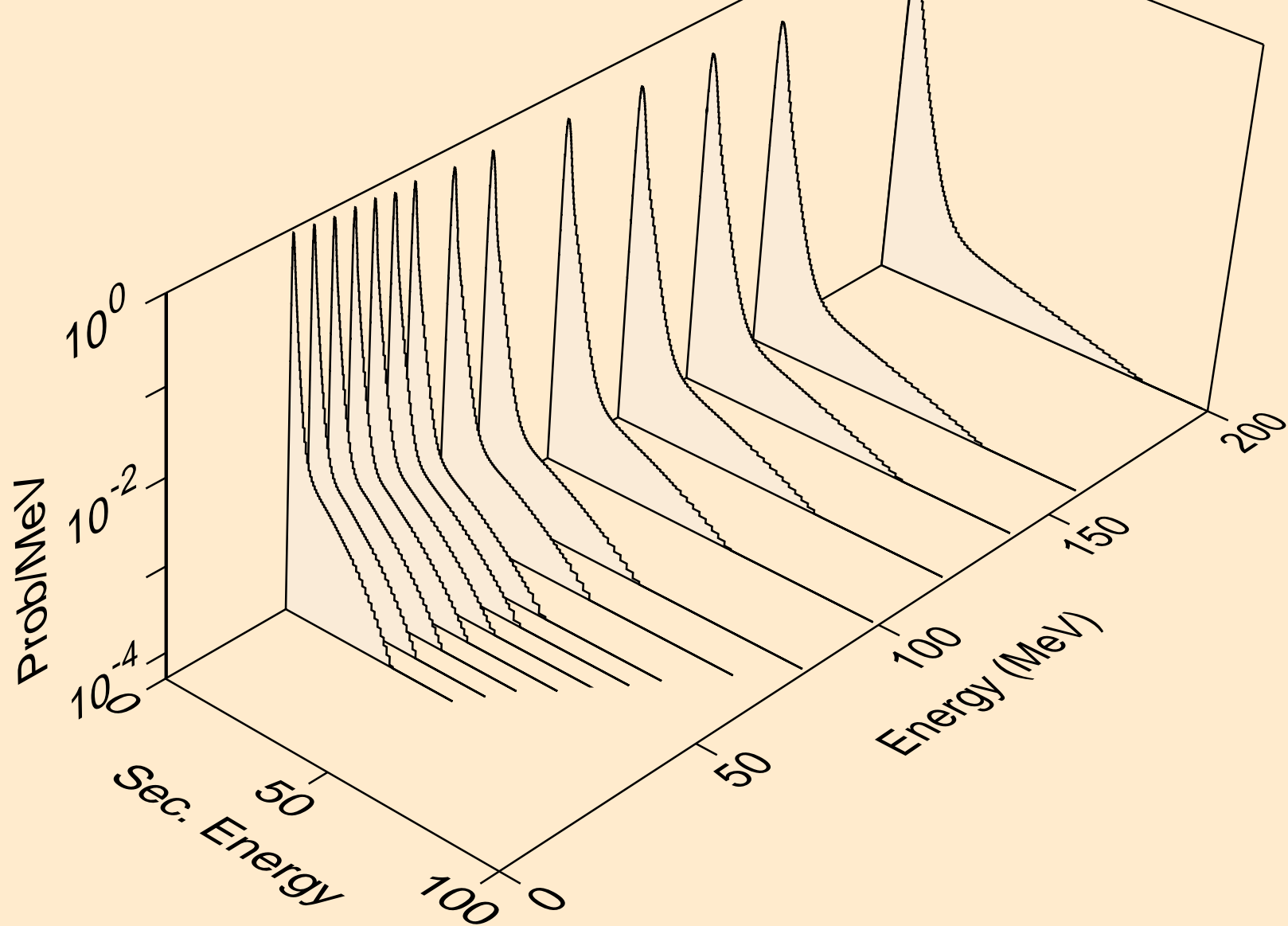
EU166 HELION ACER TENDL-2021 LIBRARY; T=0.K
Particle production cross sections



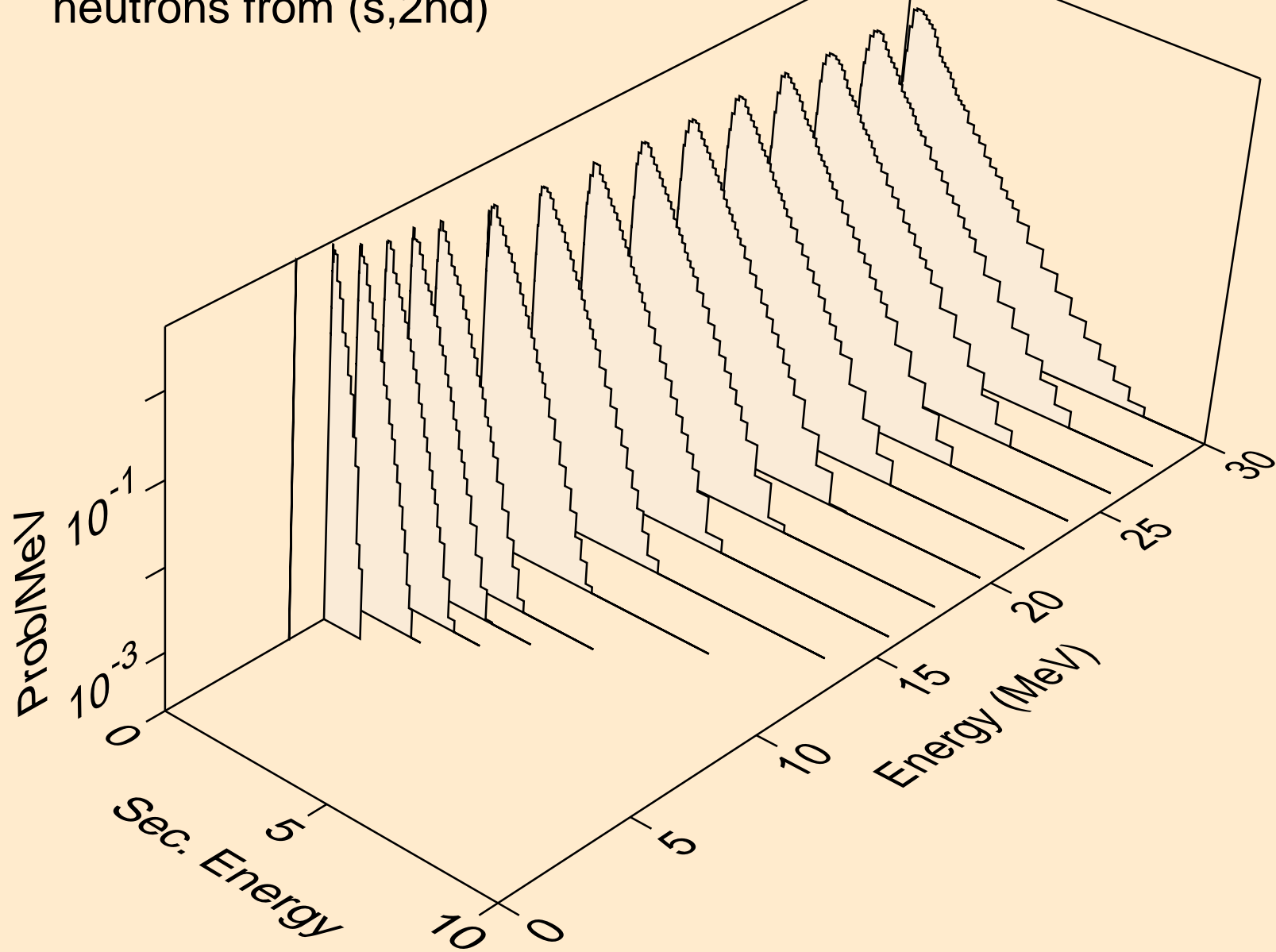
EU166 HELION ACER TENDL-2021 LIBRARY; T=0.K
neutrons from (s,n)



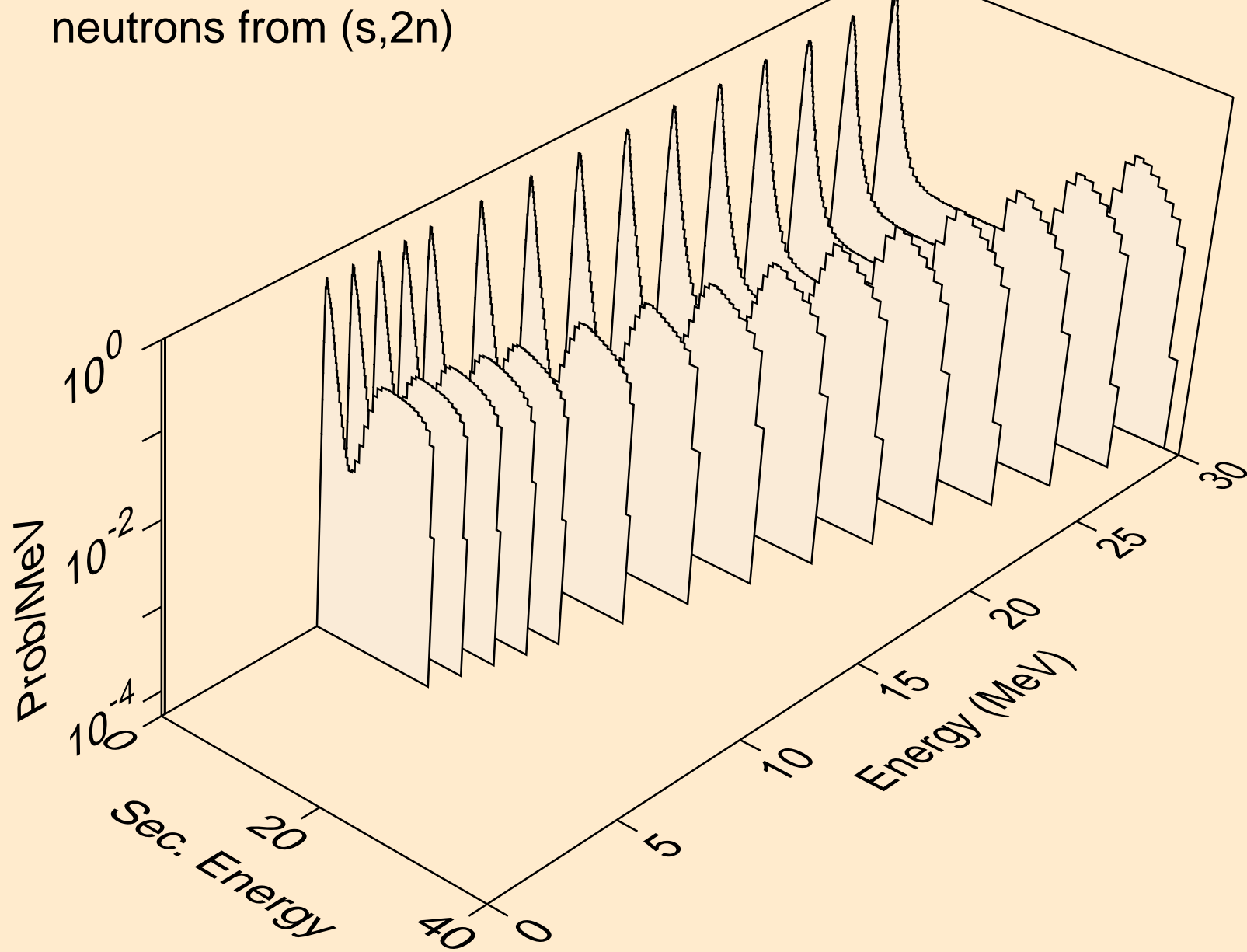
EU166 HELION ACER TENDL-2021 LIBRARY; T=0.K
neutrons from (s,x)



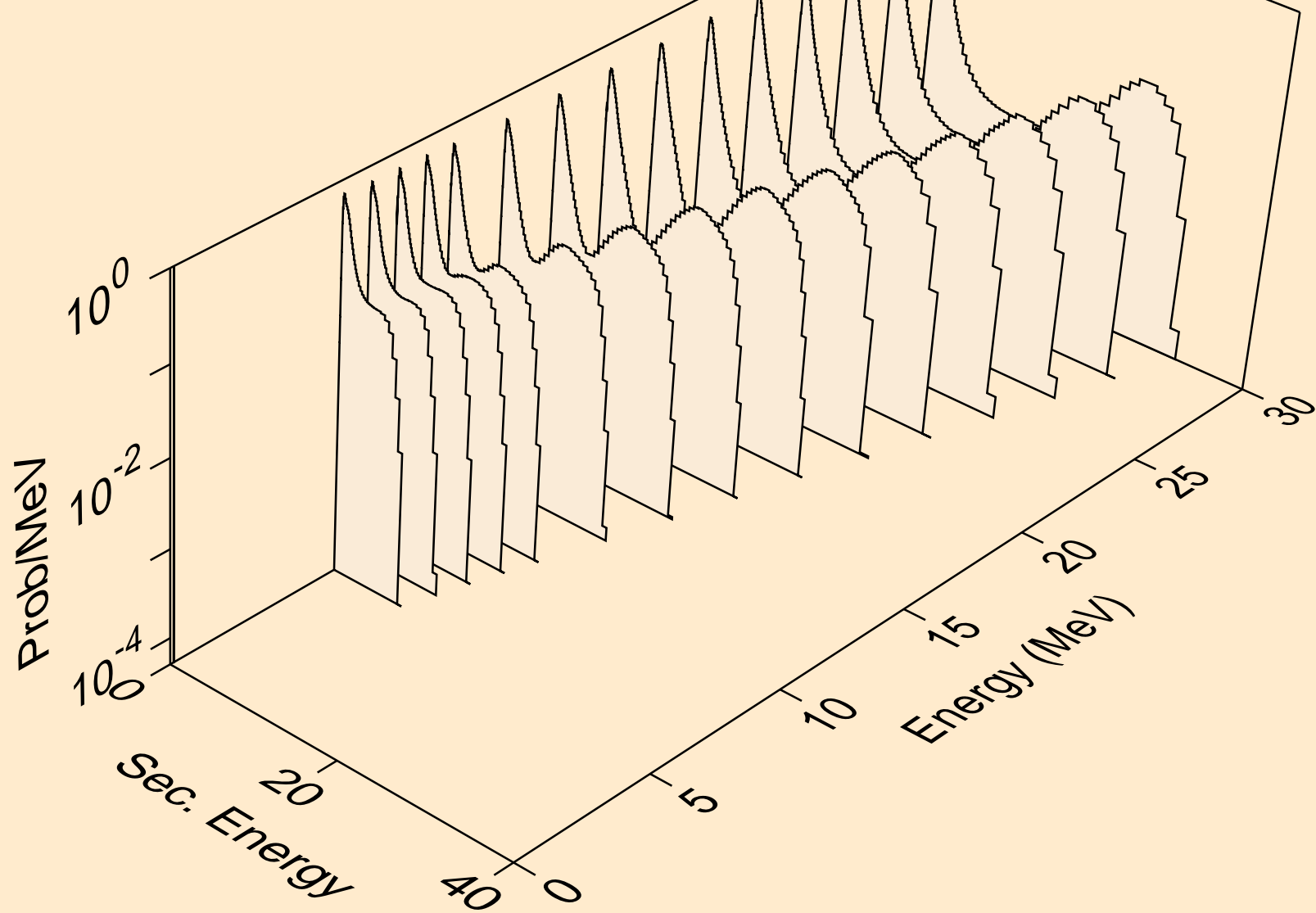
EU166 HELION ACER TENDL-2021 LIBRARY; T=0.K
neutrons from (s,2nd)



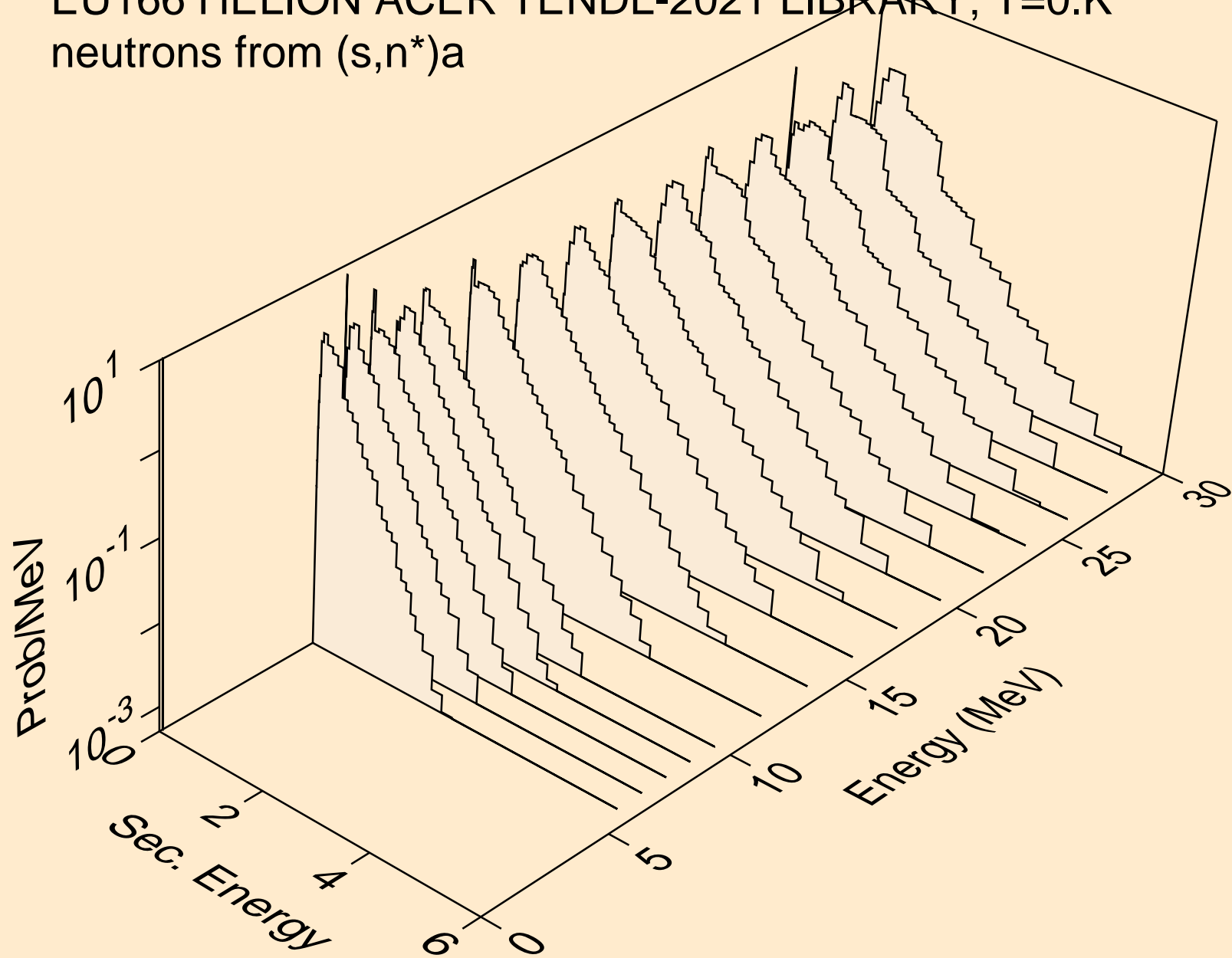
EU166 HELION ACER TENDL-2021 LIBRARY; T=0.K
neutrons from (s,2n)



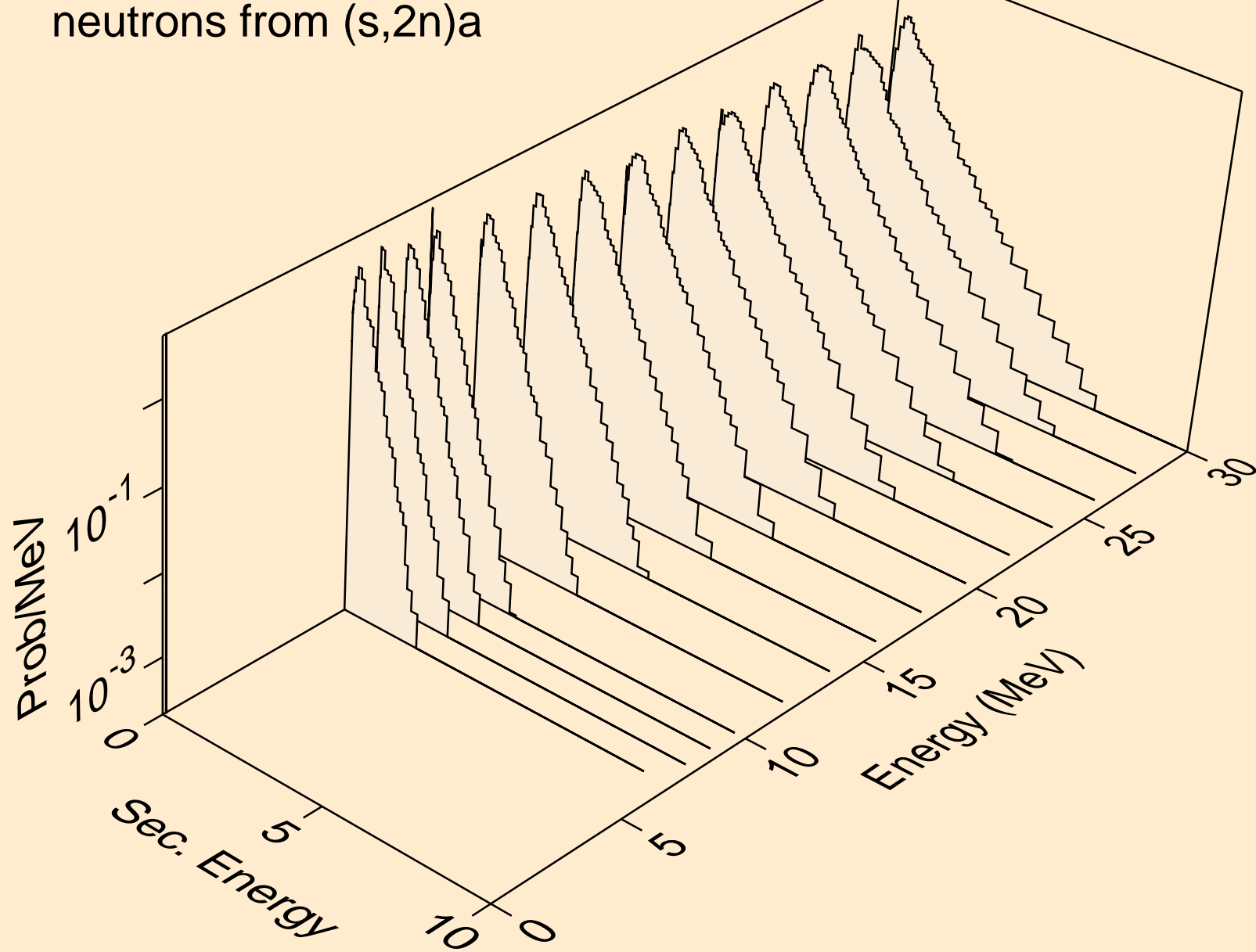
EU166 HELION ACER TENDL-2021 LIBRARY; T=0.K
neutrons from (s,3n)



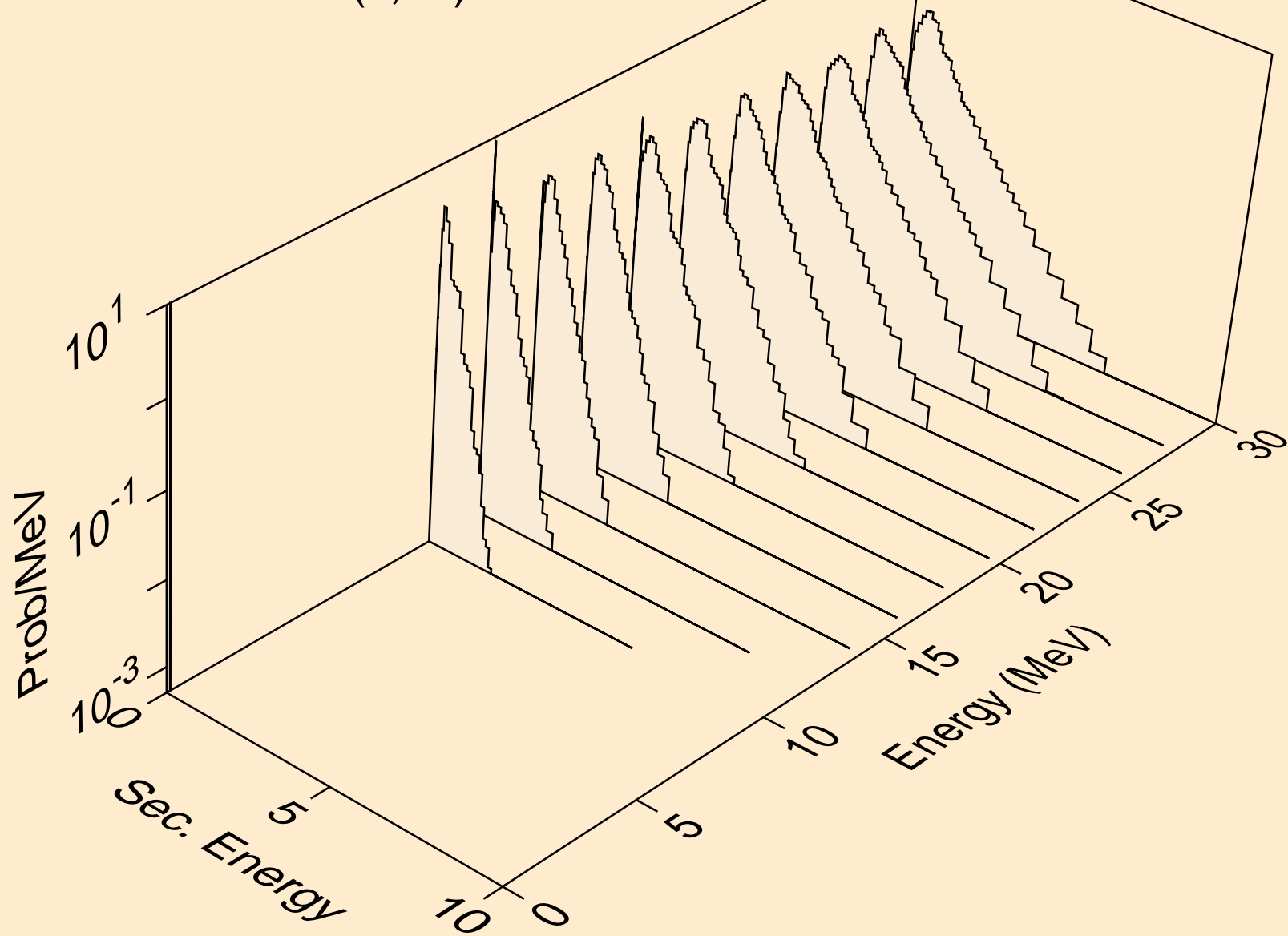
EU166 HELION ACER TENDL-2021 LIBRARY; T=0.K
neutrons from (s,n*)a



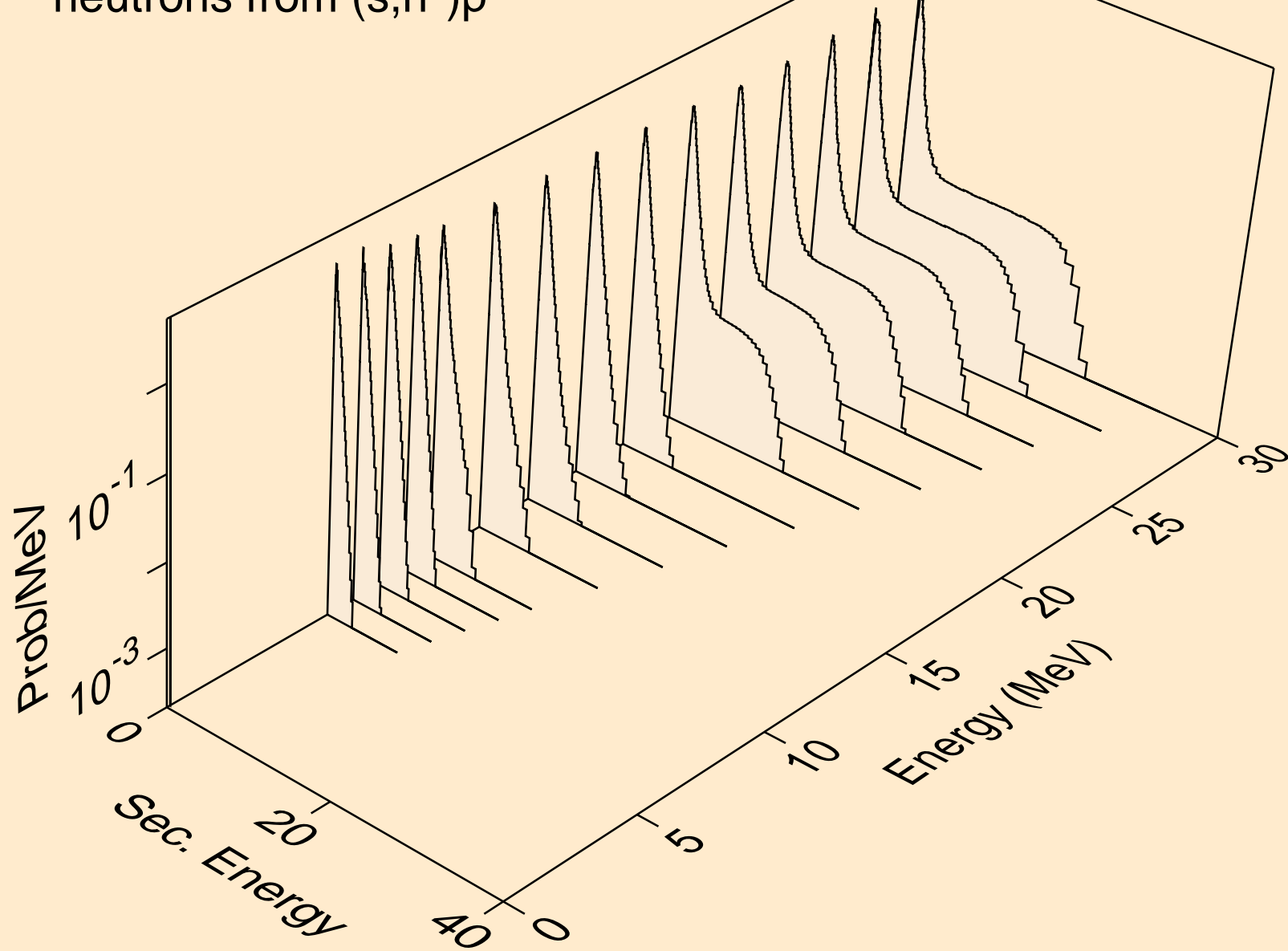
EU166 HELION ACER TENDL-2021 LIBRARY; T=0.K
neutrons from (s,2n)a



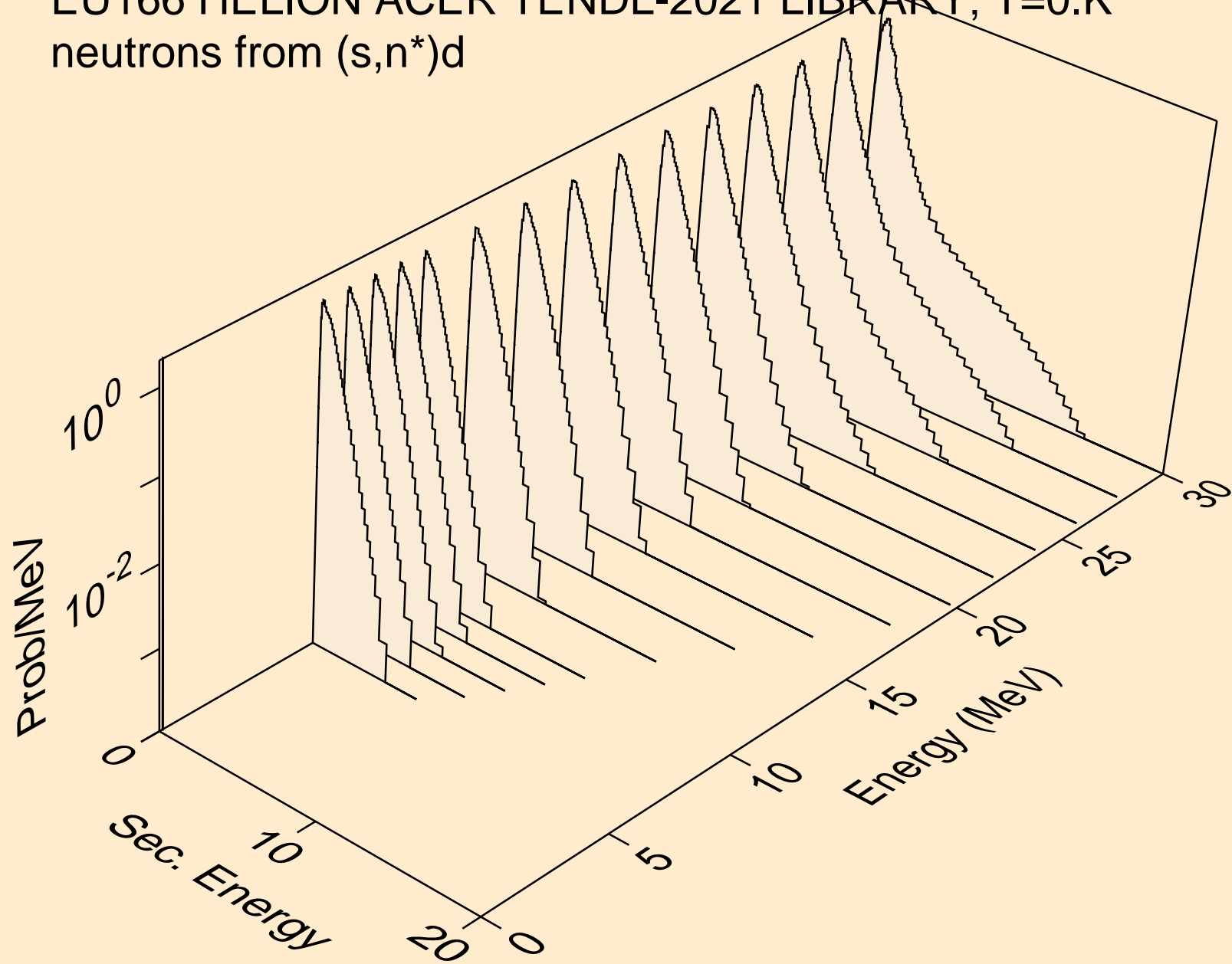
EU166 HELION ACER TENDL-2021 LIBRARY; T=0.K
neutrons from (s,3n)a



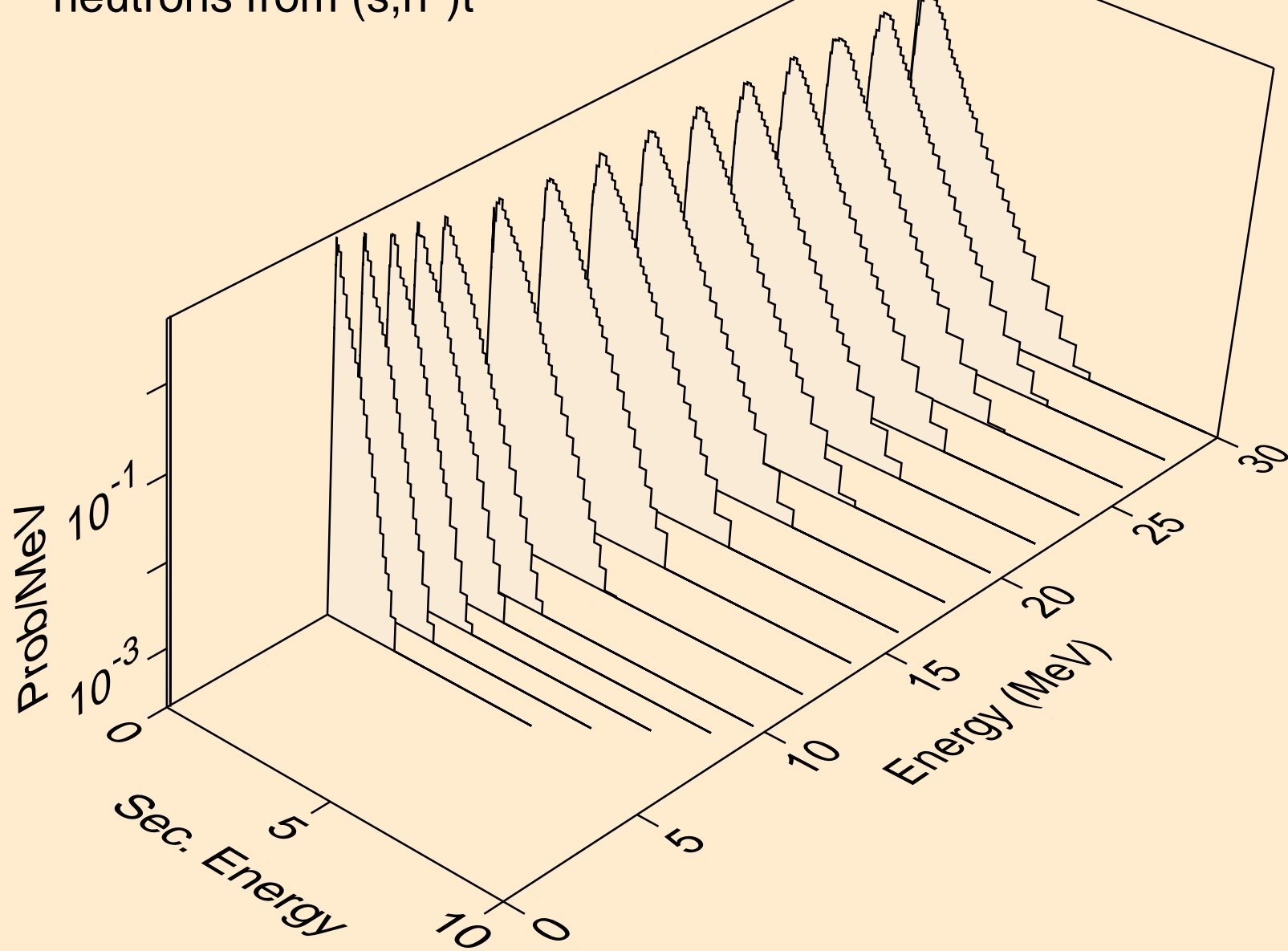
EU166 HELION ACER TENDL-2021 LIBRARY; T=0.K
neutrons from (s,n*)p



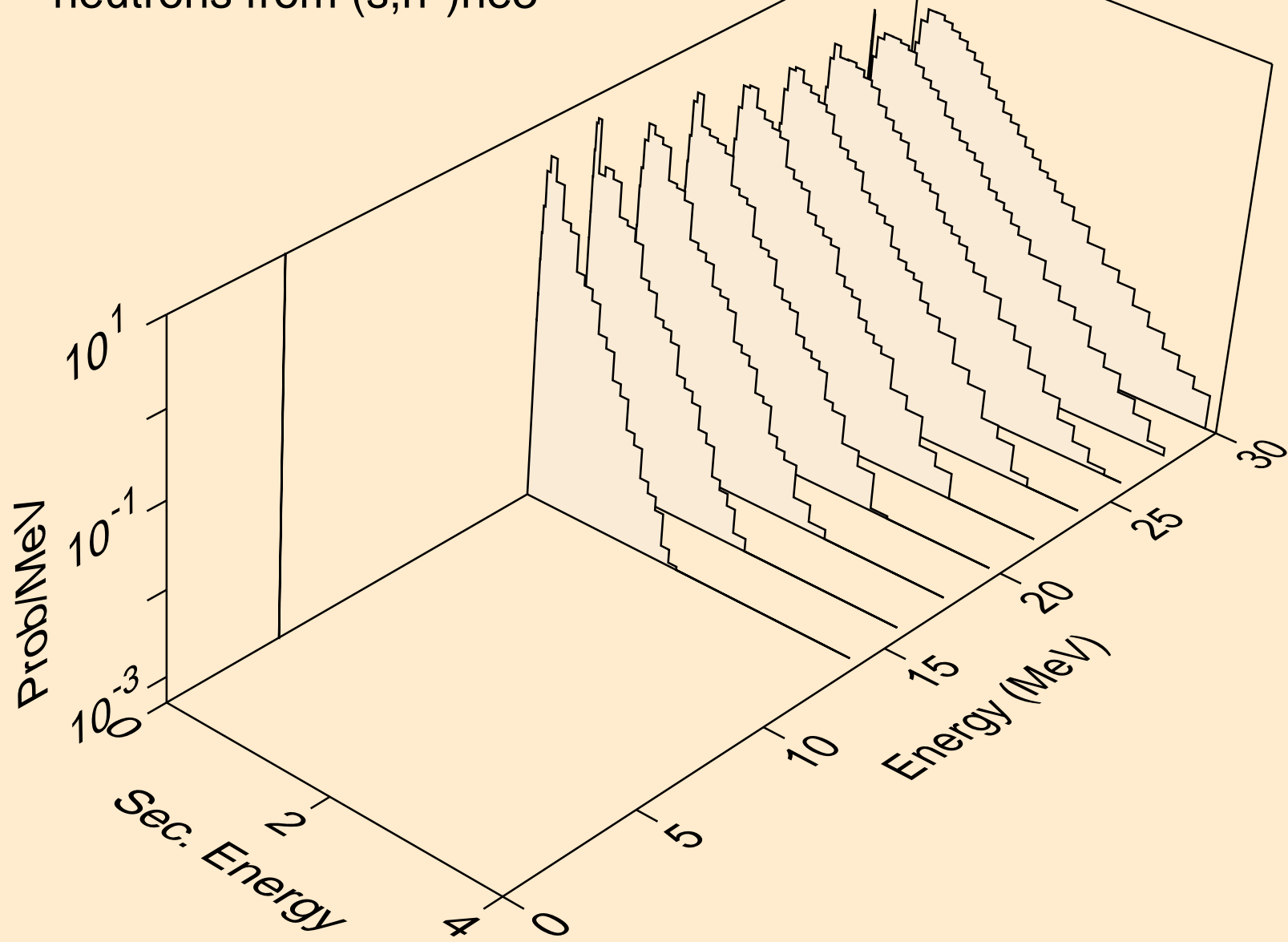
EU166 HELION ACER TENDL-2021 LIBRARY; T=0.K
neutrons from (s,n*)d



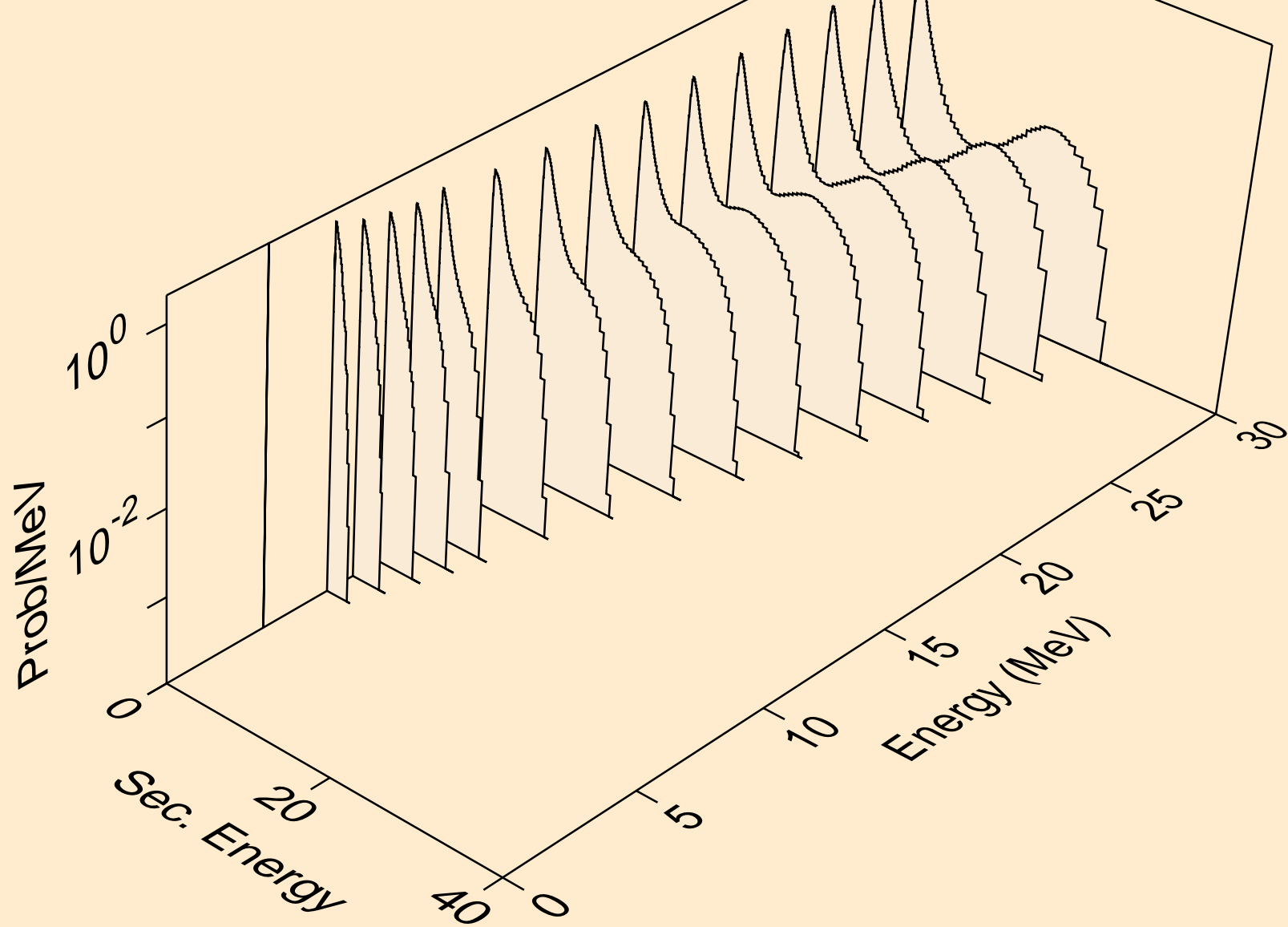
EU166 HELION ACER TENDL-2021 LIBRARY; T=0.K
neutrons from (s,n*)t



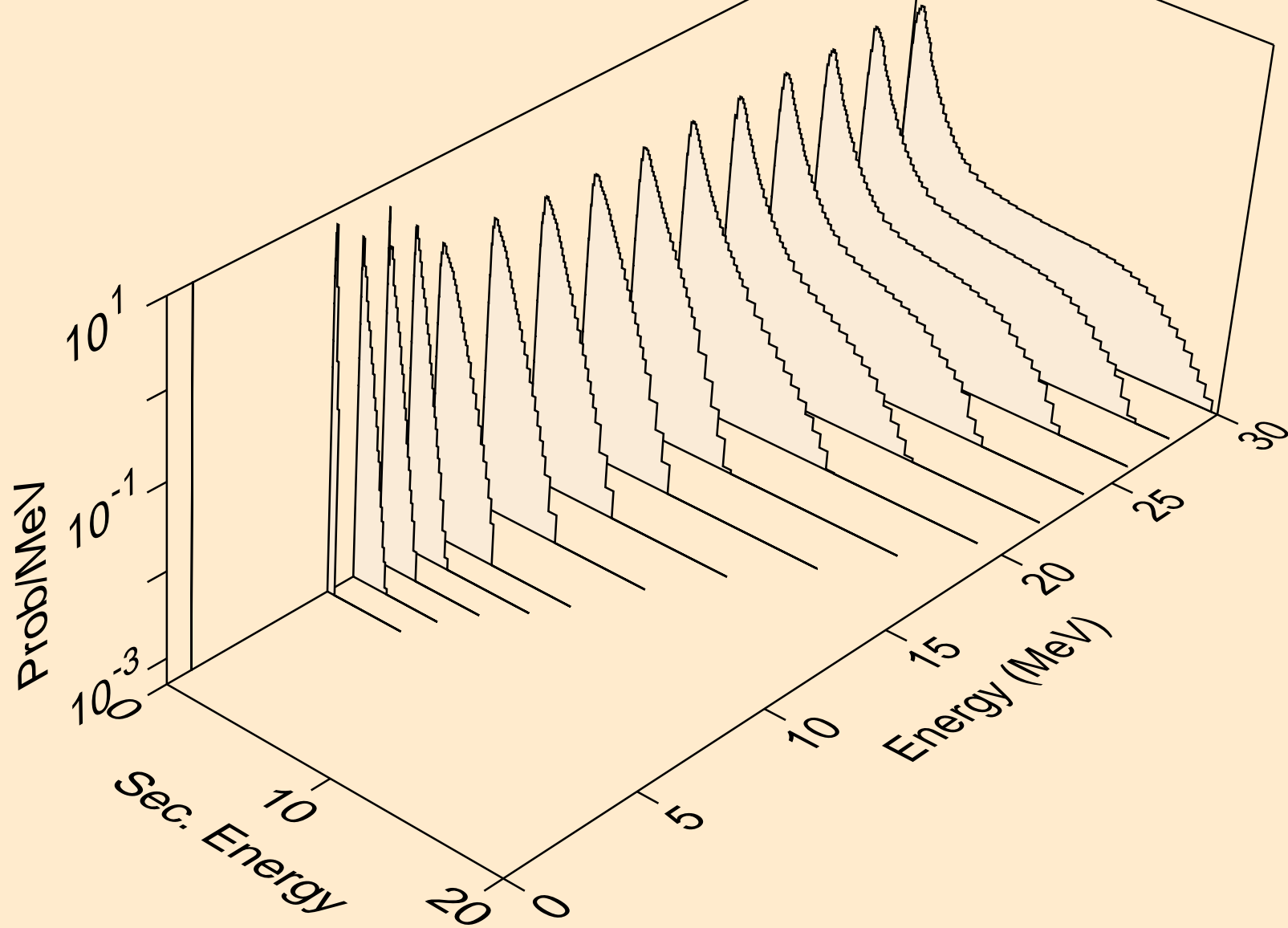
EU166 HELION ACER TENDL-2021 LIBRARY; T=0.K
neutrons from (s,n*)he3



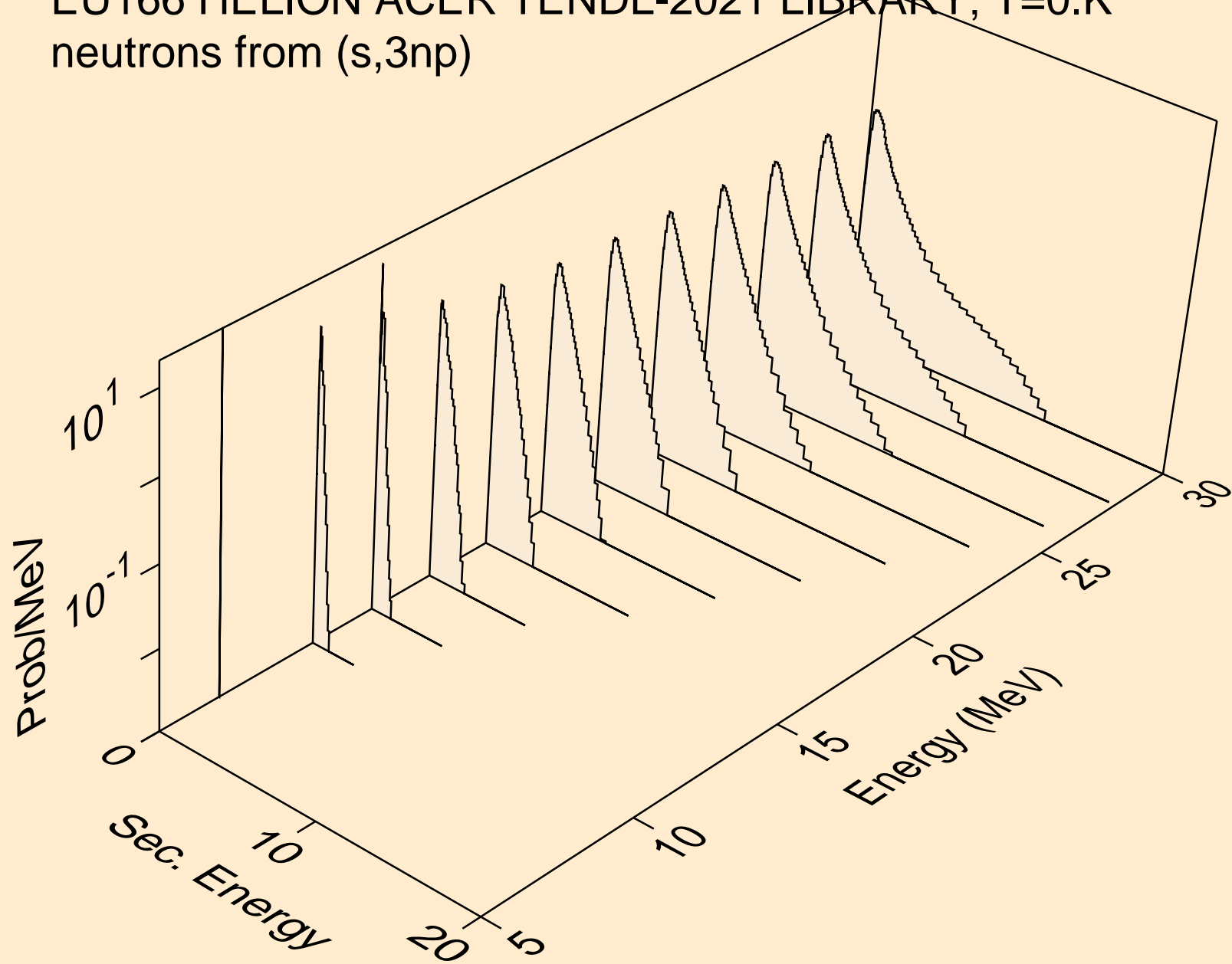
EU166 HELION ACER TENDL-2021 LIBRARY; T=0.K
neutrons from (s,4n)



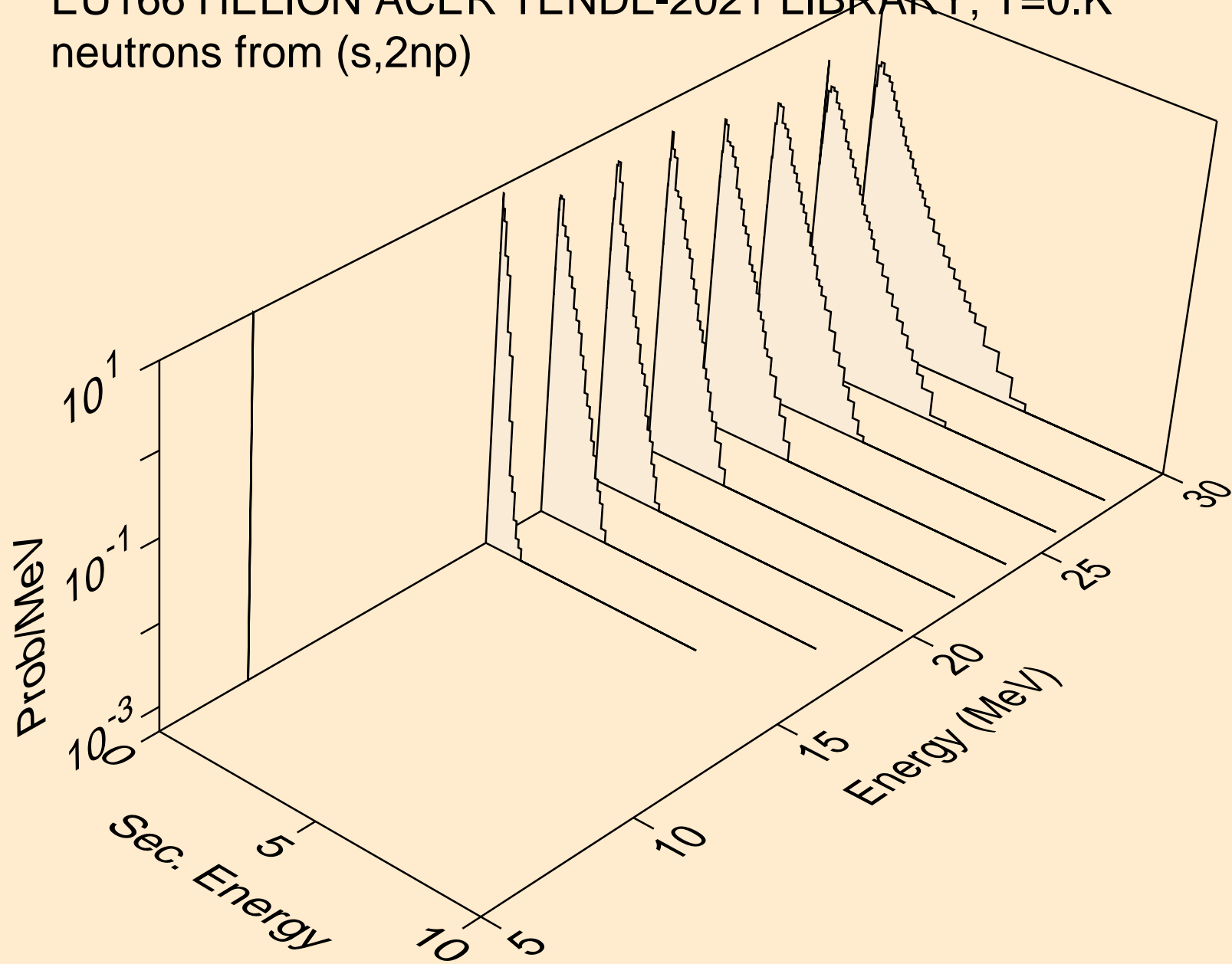
EU166 HELION ACER TENDL-2021 LIBRARY; T=0.K
neutrons from (s,2np)



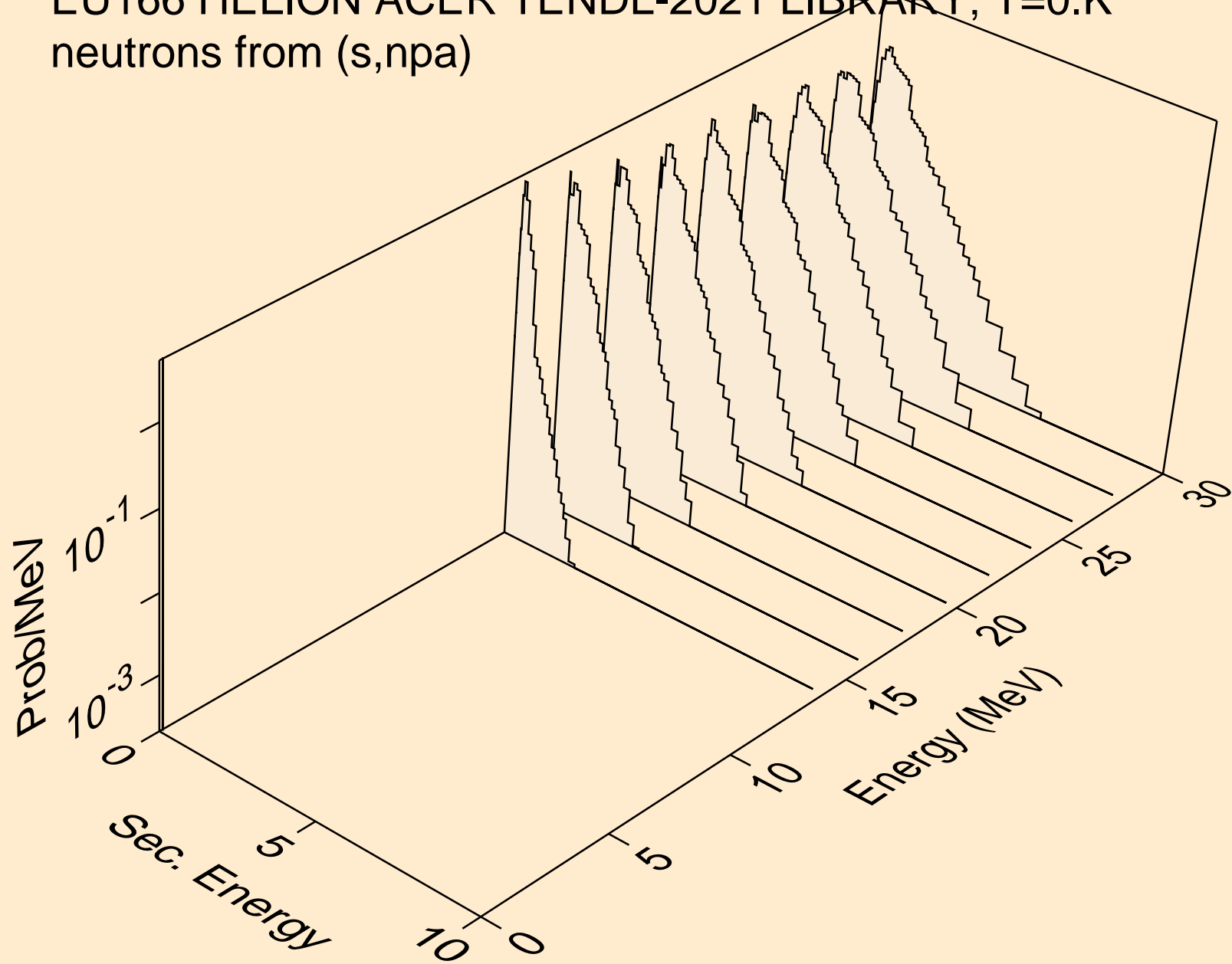
EU166 HELION ACER TENDL-2021 LIBRARY; T=0.K
neutrons from (s,3np)



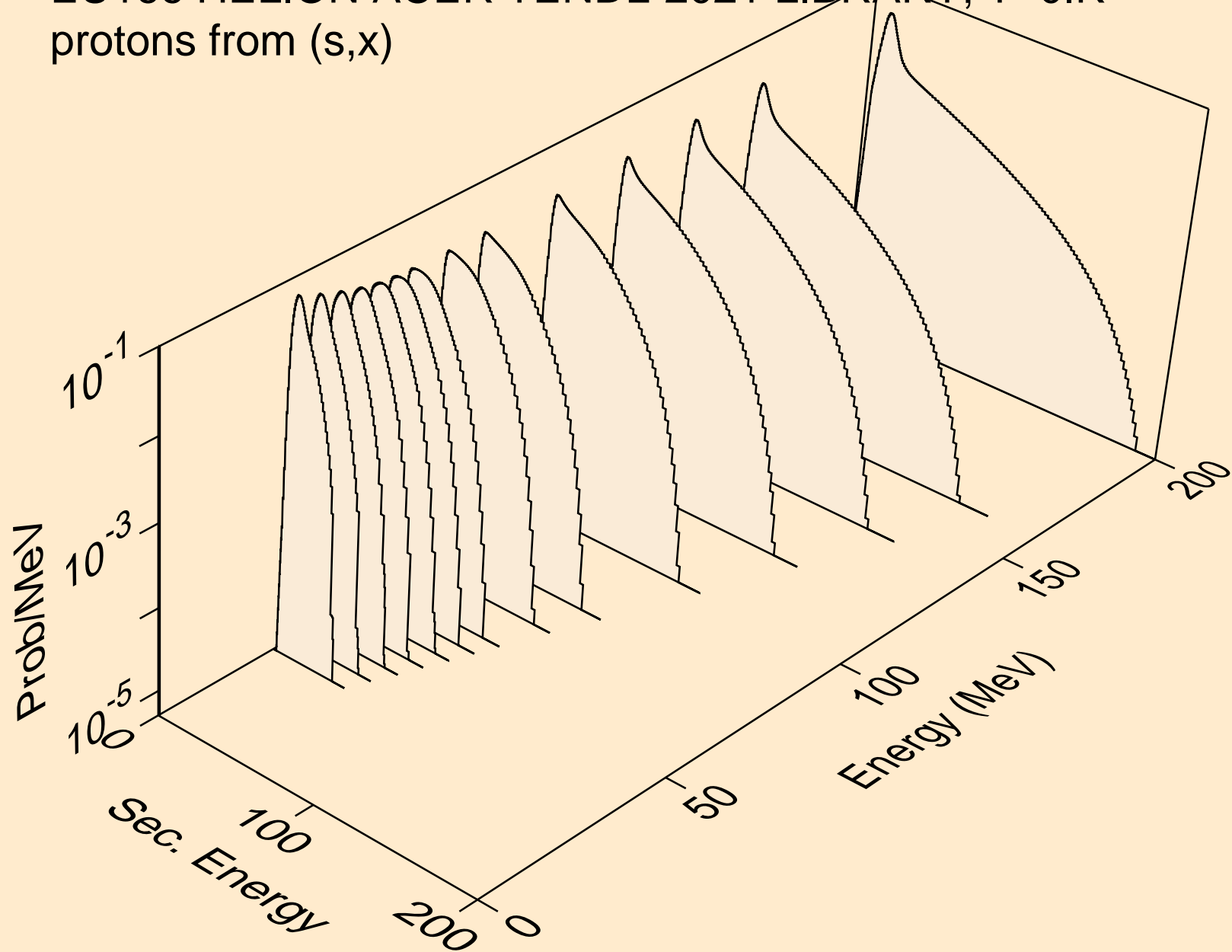
EU166 HELION ACER TENDL-2021 LIBRARY; T=0.K
neutrons from (s,2np)



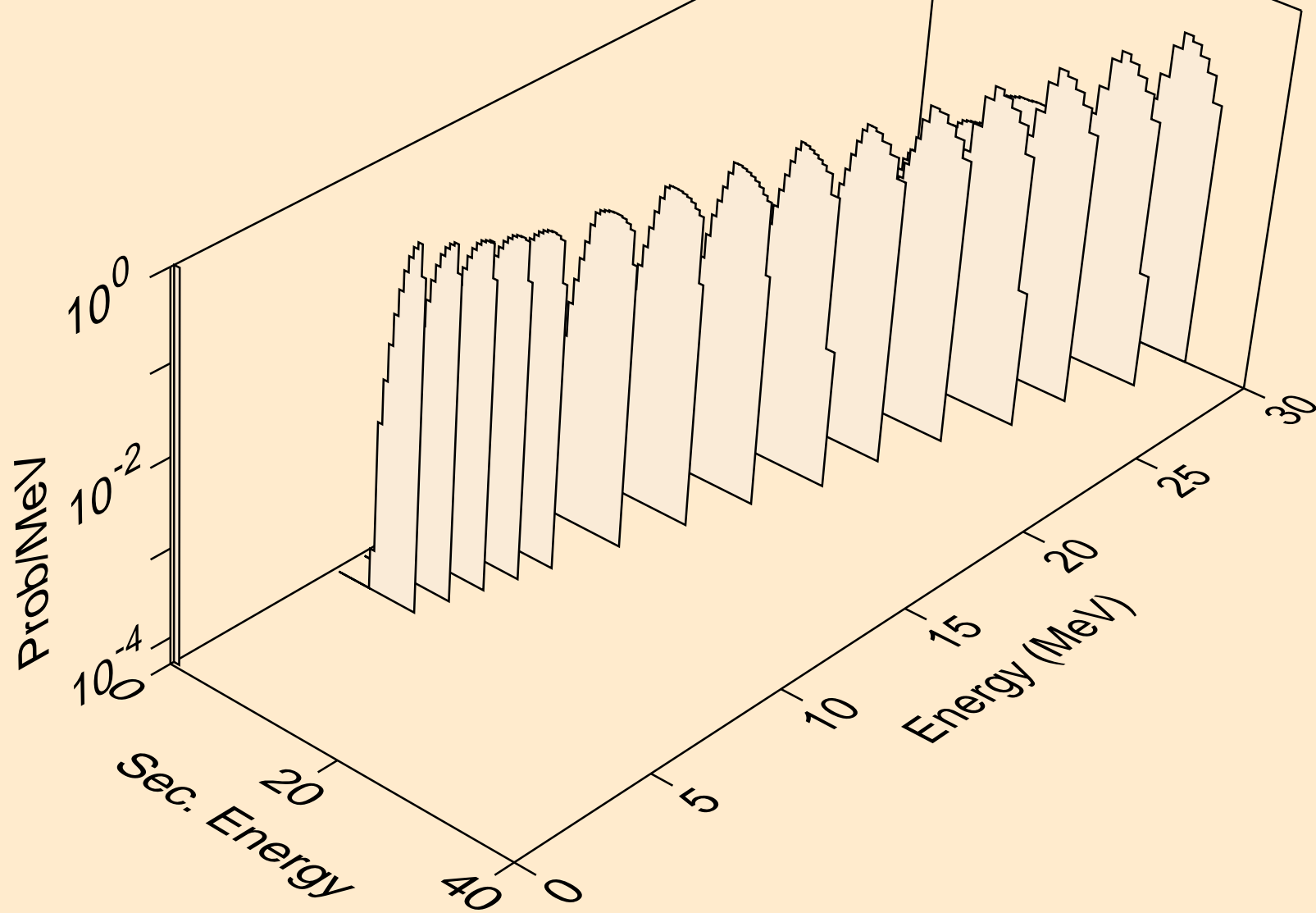
EU166 HELION ACER TENDL-2021 LIBRARY; T=0.K
neutrons from (s,npa)



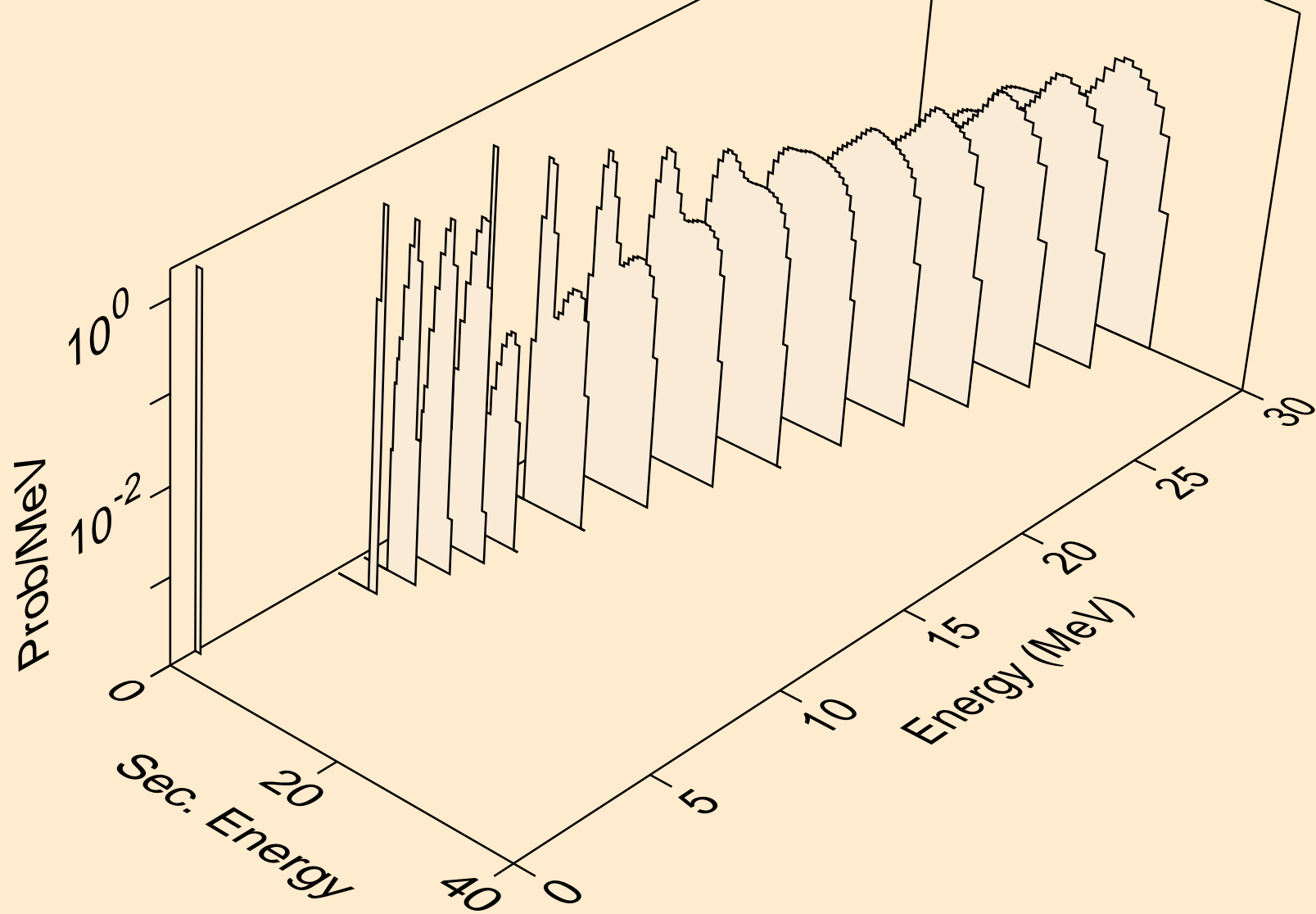
EU166 HELION ACER TENDL-2021 LIBRARY; T=0.K
protons from (s,x)



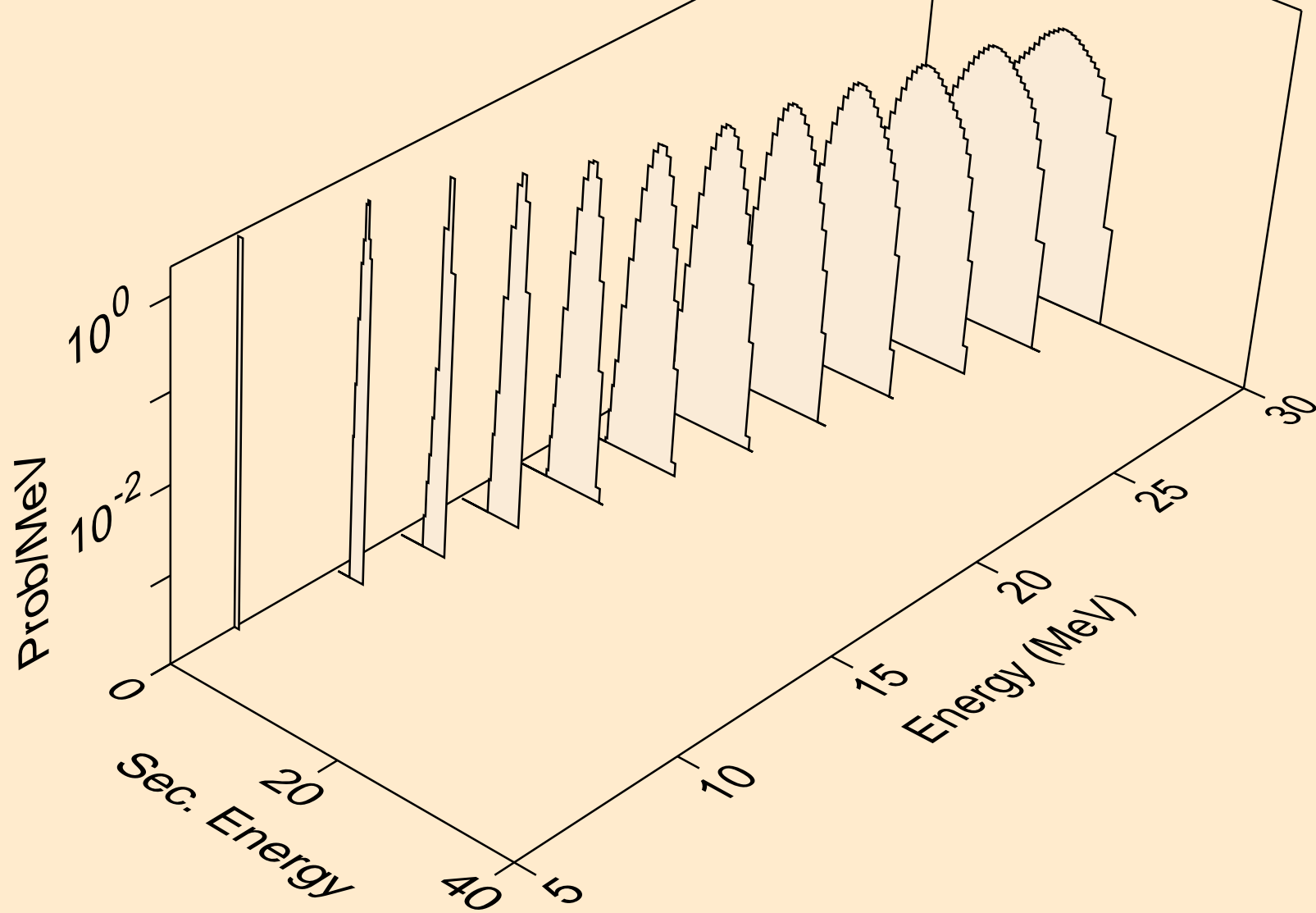
EU166 HELION ACER TENDL-2021 LIBRARY; T=0.K
protons from (s,n*)p



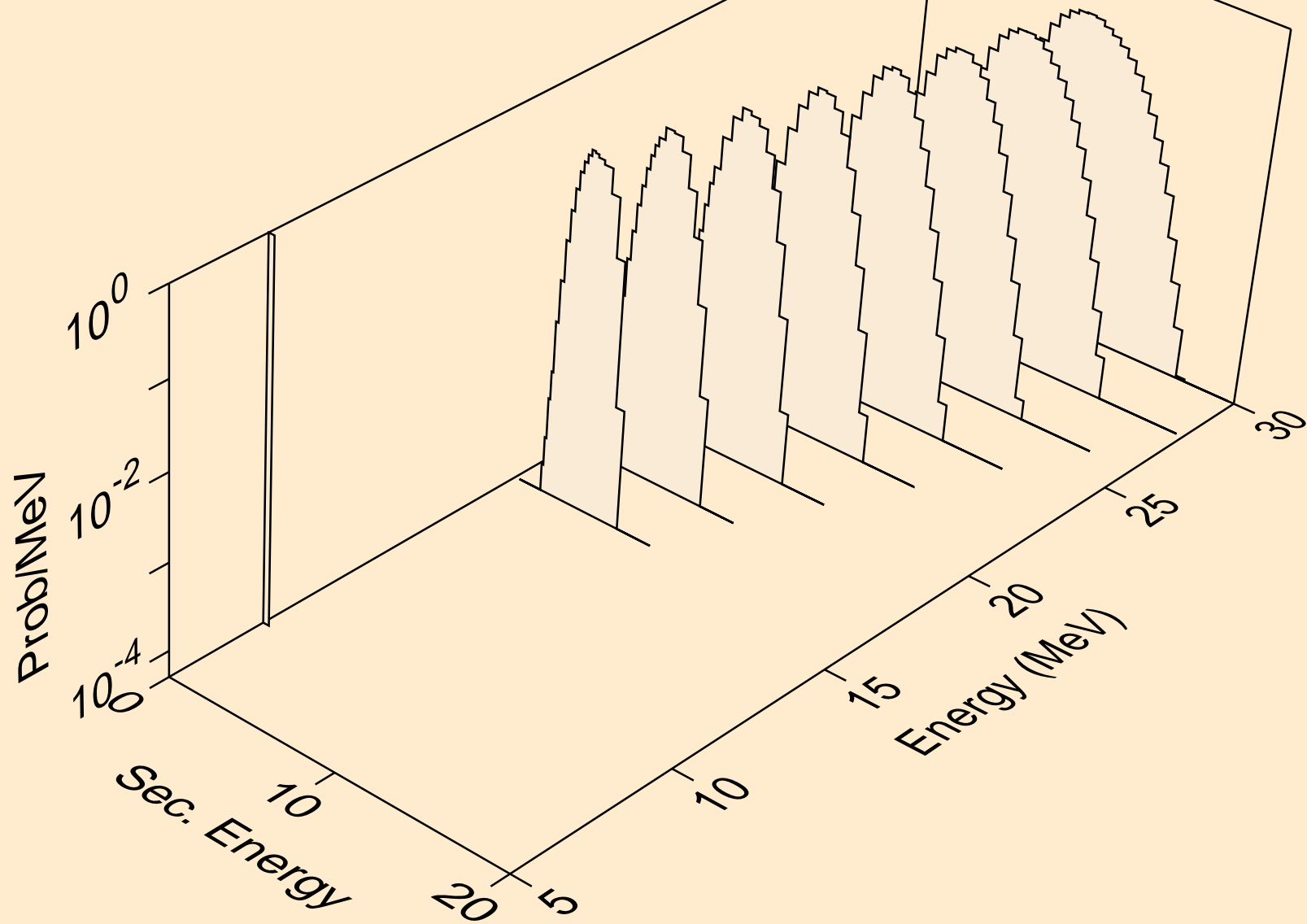
EU166 HELION ACER TENDL-2021 LIBRARY; T=0.K
protons from (s,2np)



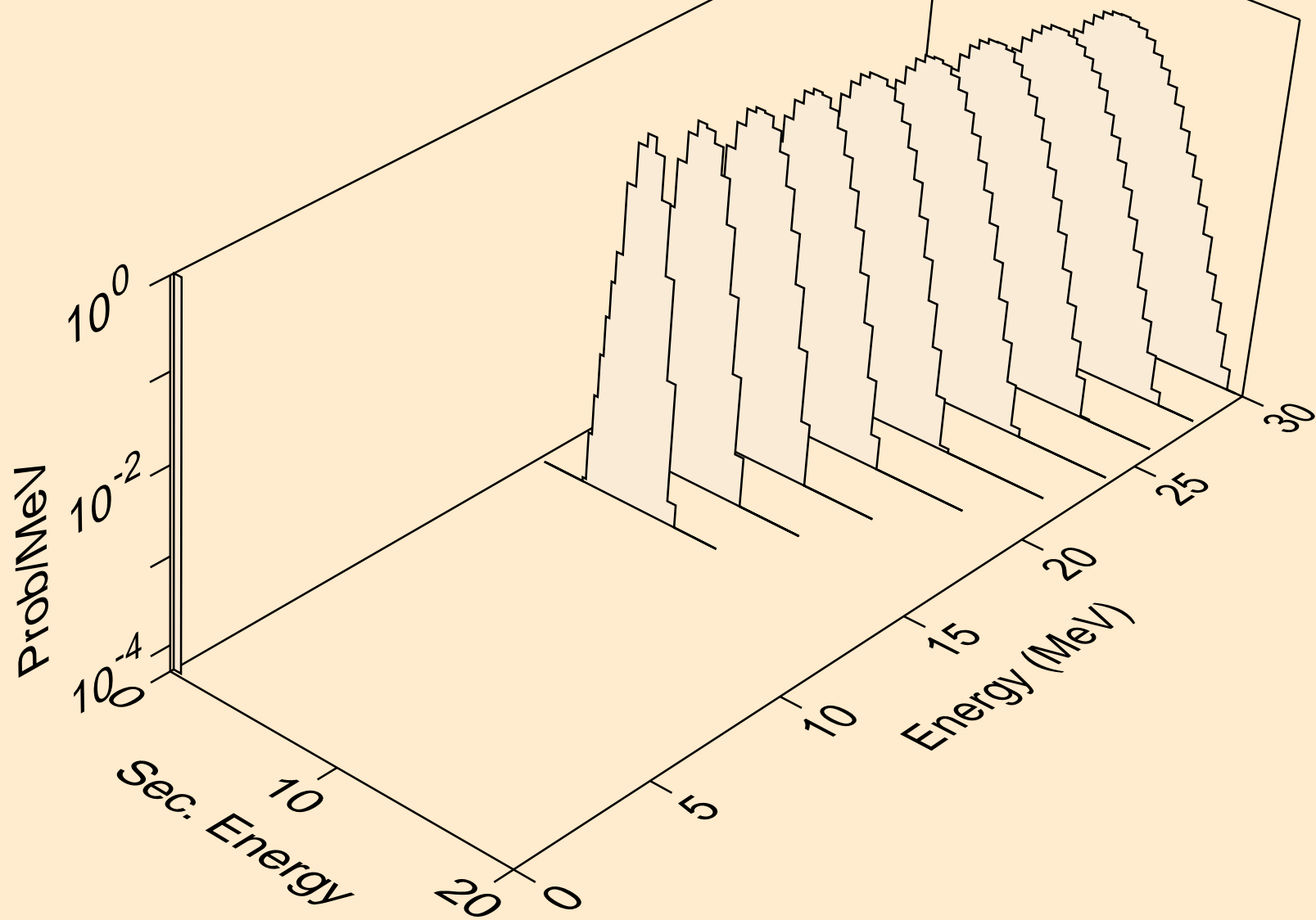
EU166 HELION ACER TENDL-2021 LIBRARY; T=0.K
protons from (s,3np)



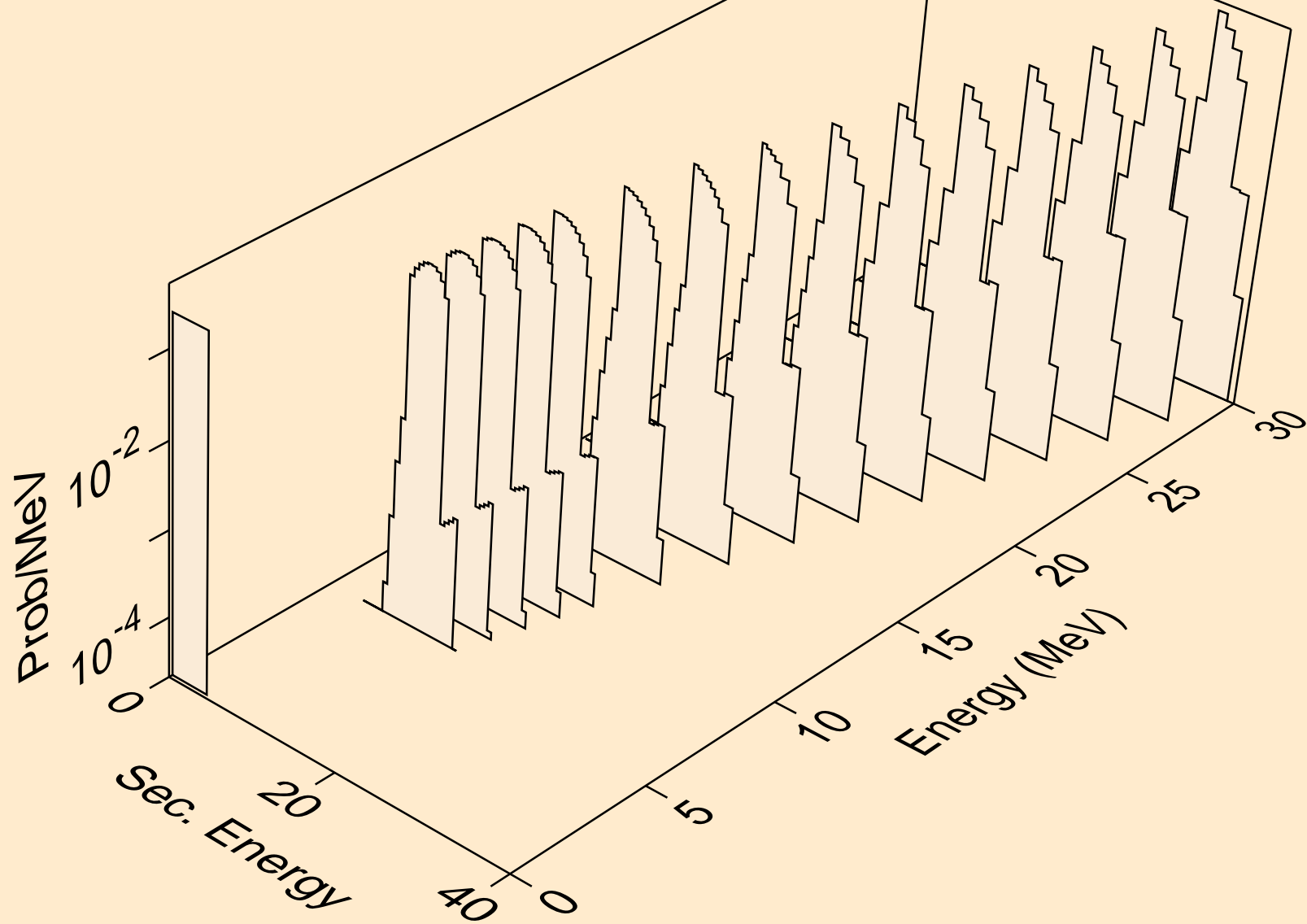
EU166 HELION ACER TENDL-2021 LIBRARY; T=0.K
protons from (s,2np)



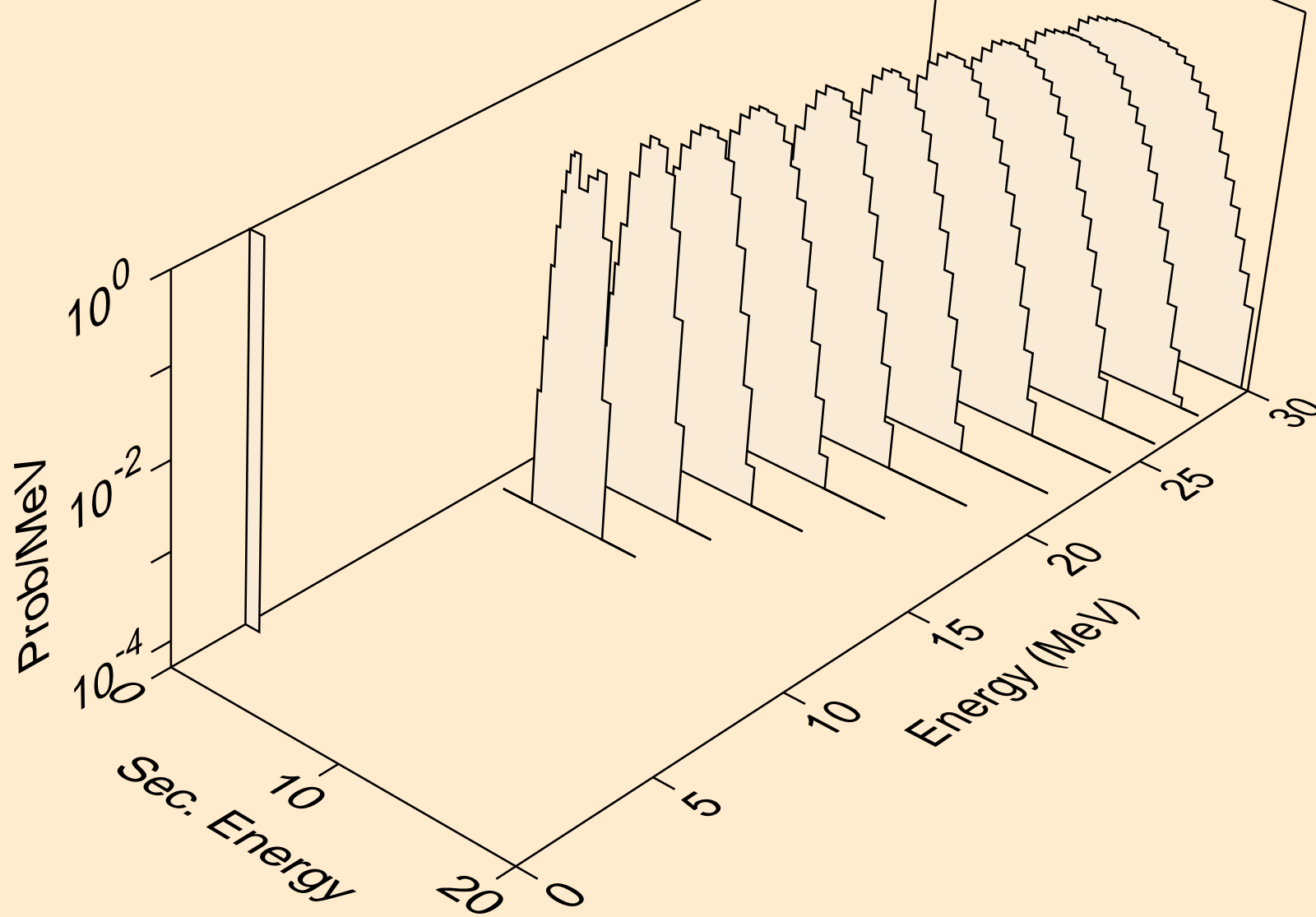
EU166 HELION ACER TENDL-2021 LIBRARY; T=0.K
protons from (s,npa)



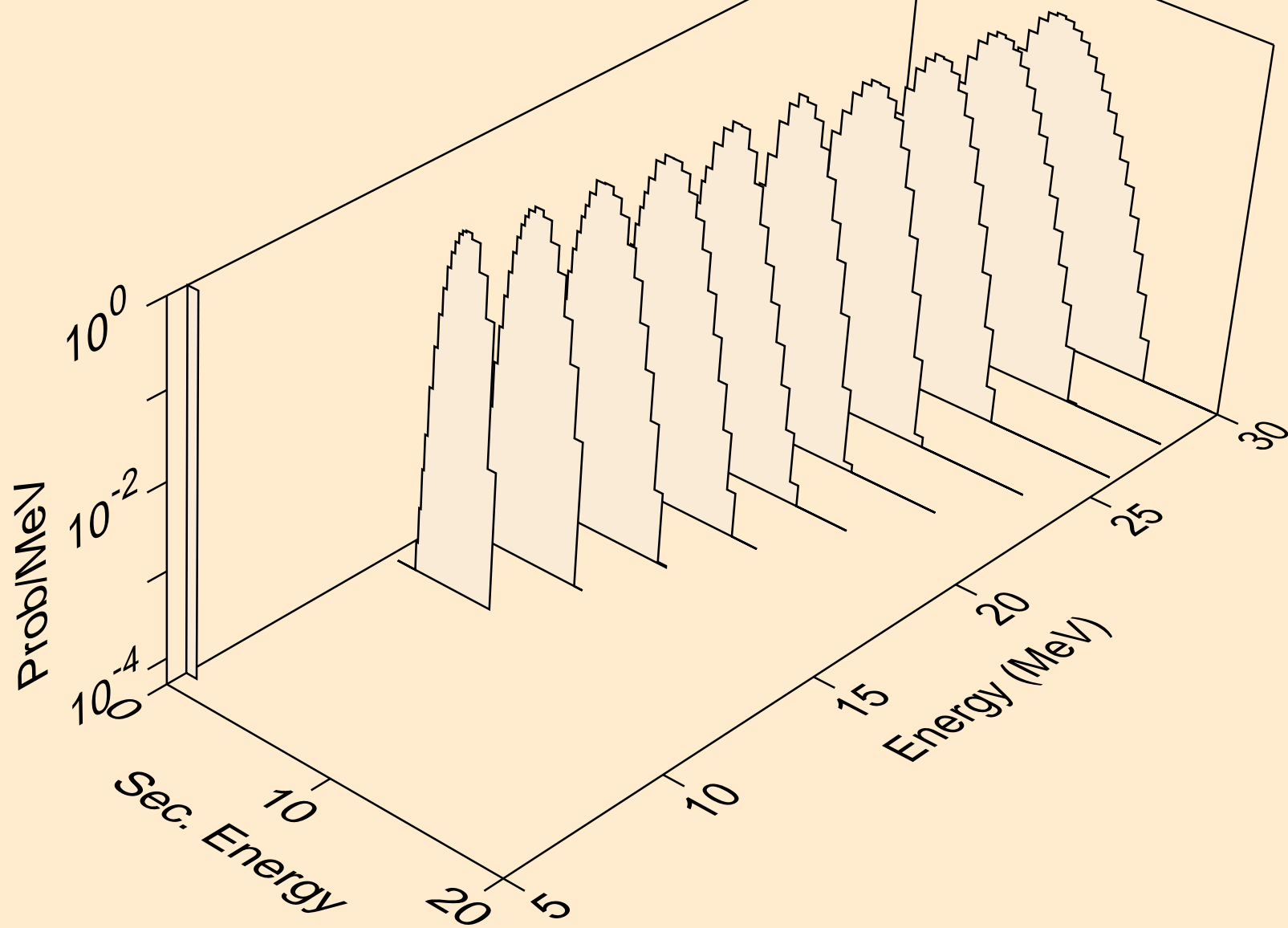
EU166 HELION ACER TENDL-2021 LIBRARY; T=0.K
protons from (s,p)



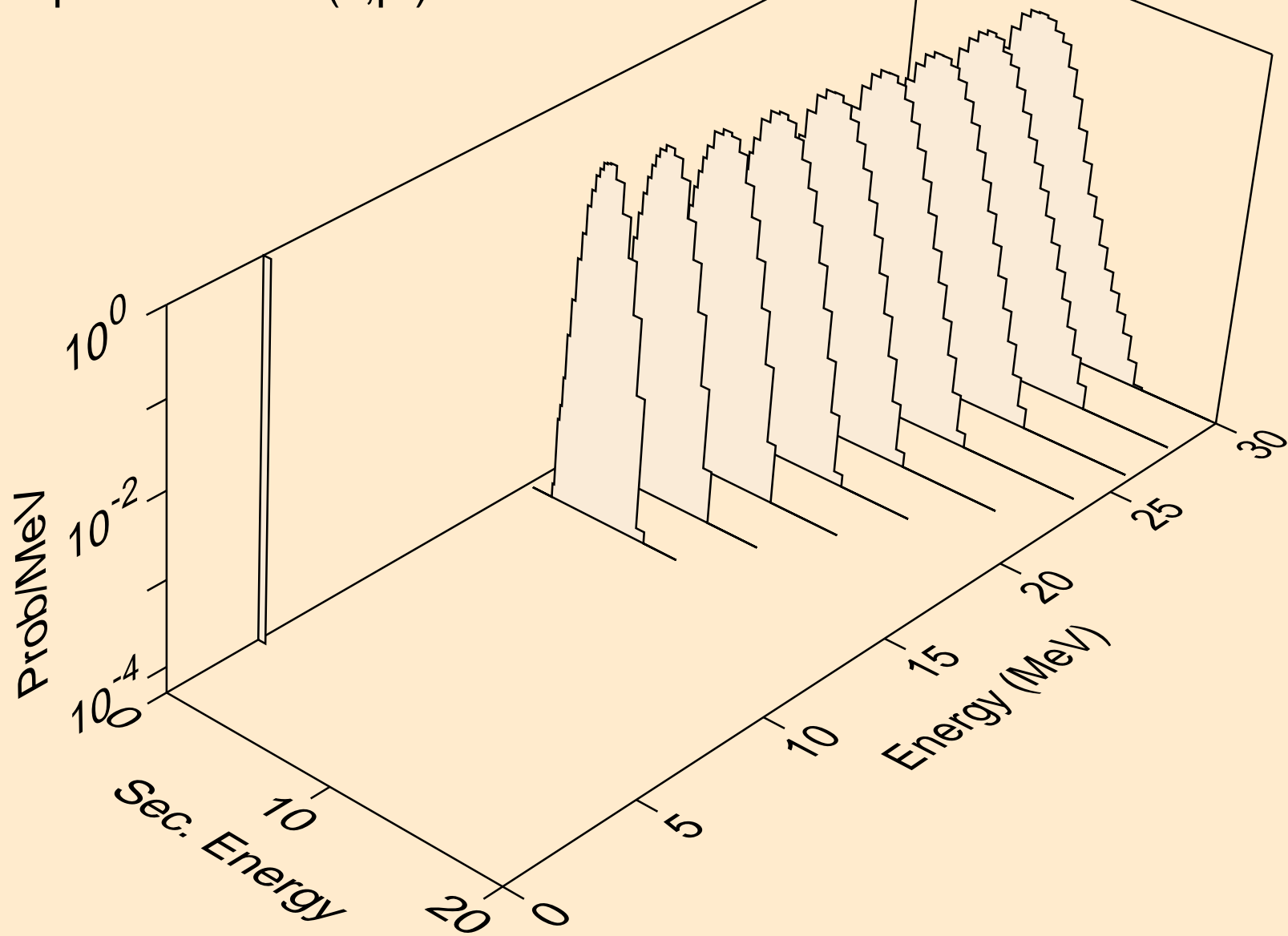
EU166 HELION ACER TENDL-2021 LIBRARY; T=0.K
protons from (s,2p)



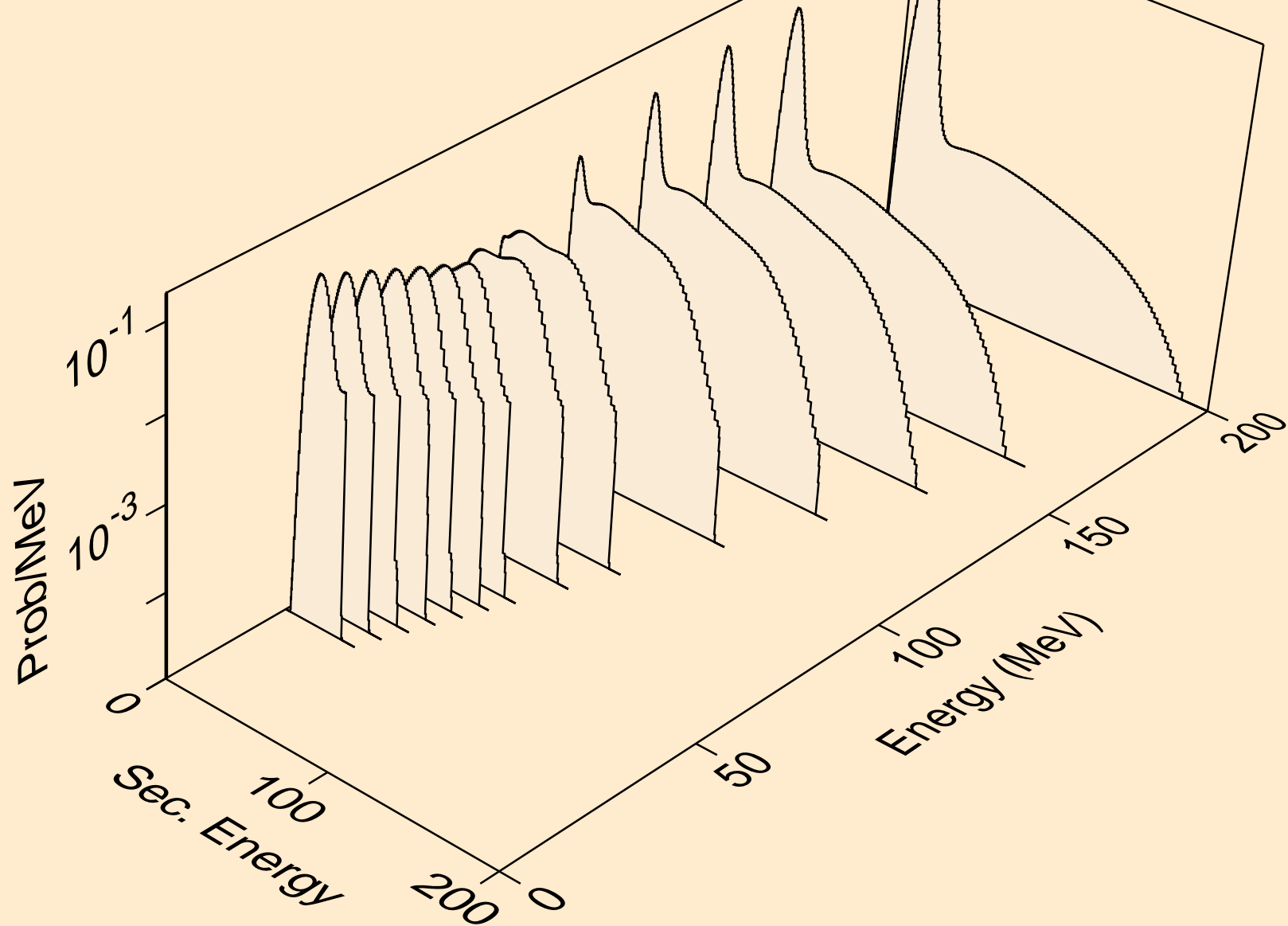
EU166 HELION ACER TENDL-2021 LIBRARY; T=0.K
protons from (s,pd)



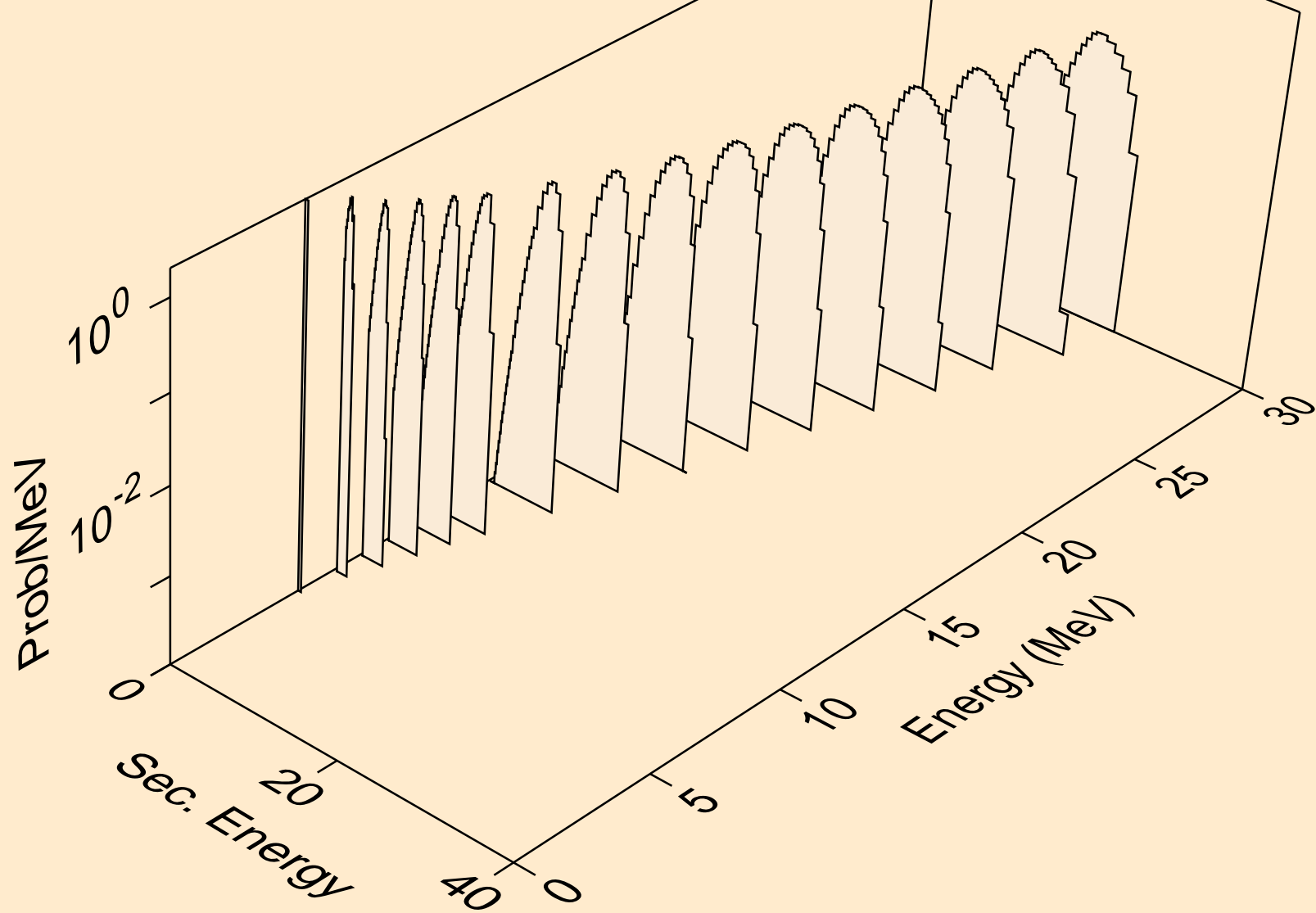
EU166 HELION ACER TENDL-2021 LIBRARY; T=0.K
protons from (s,pt)



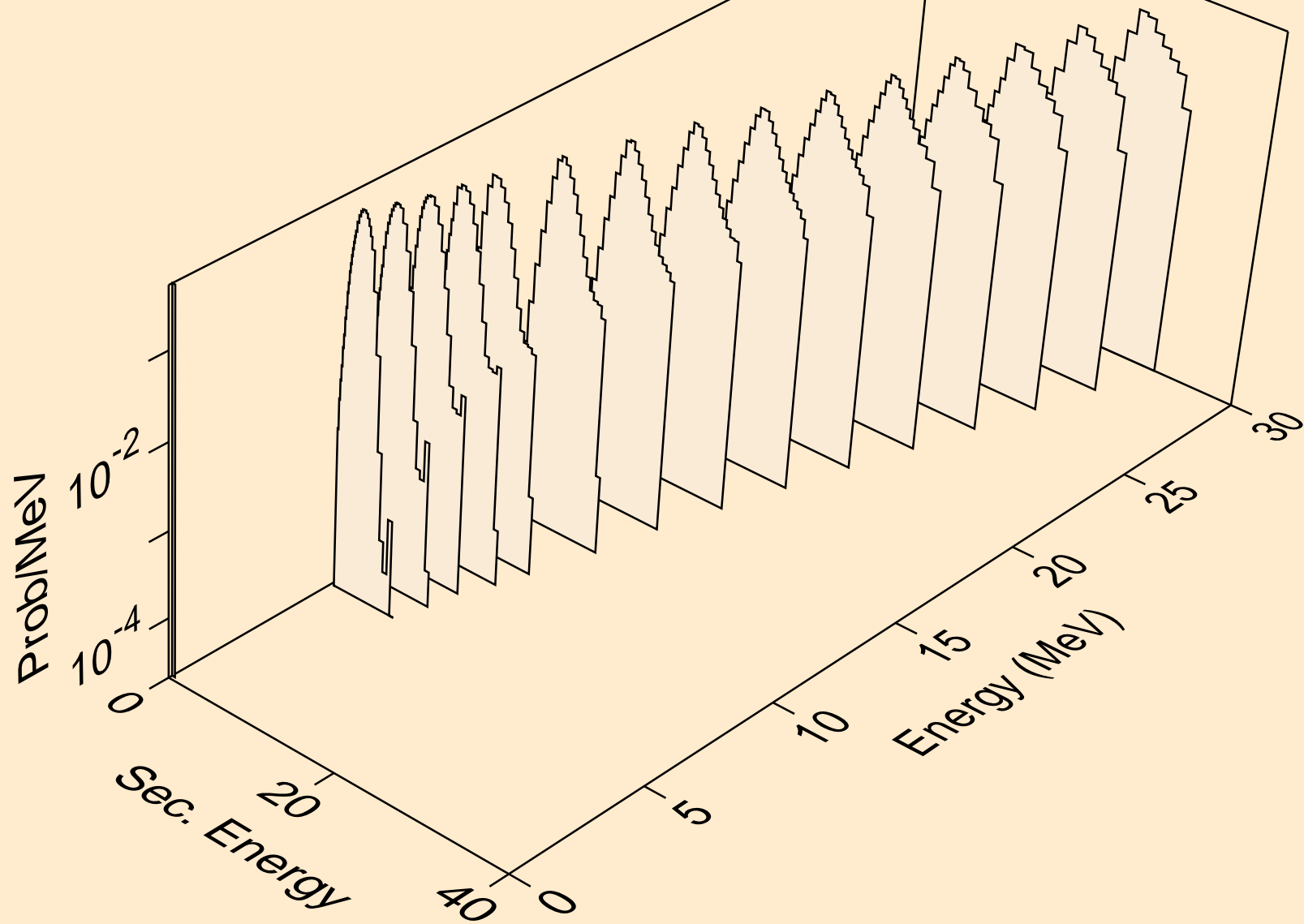
EU166 HELION ACER TENDL-2021 LIBRARY; T=0.K
deuterons from (s,x)



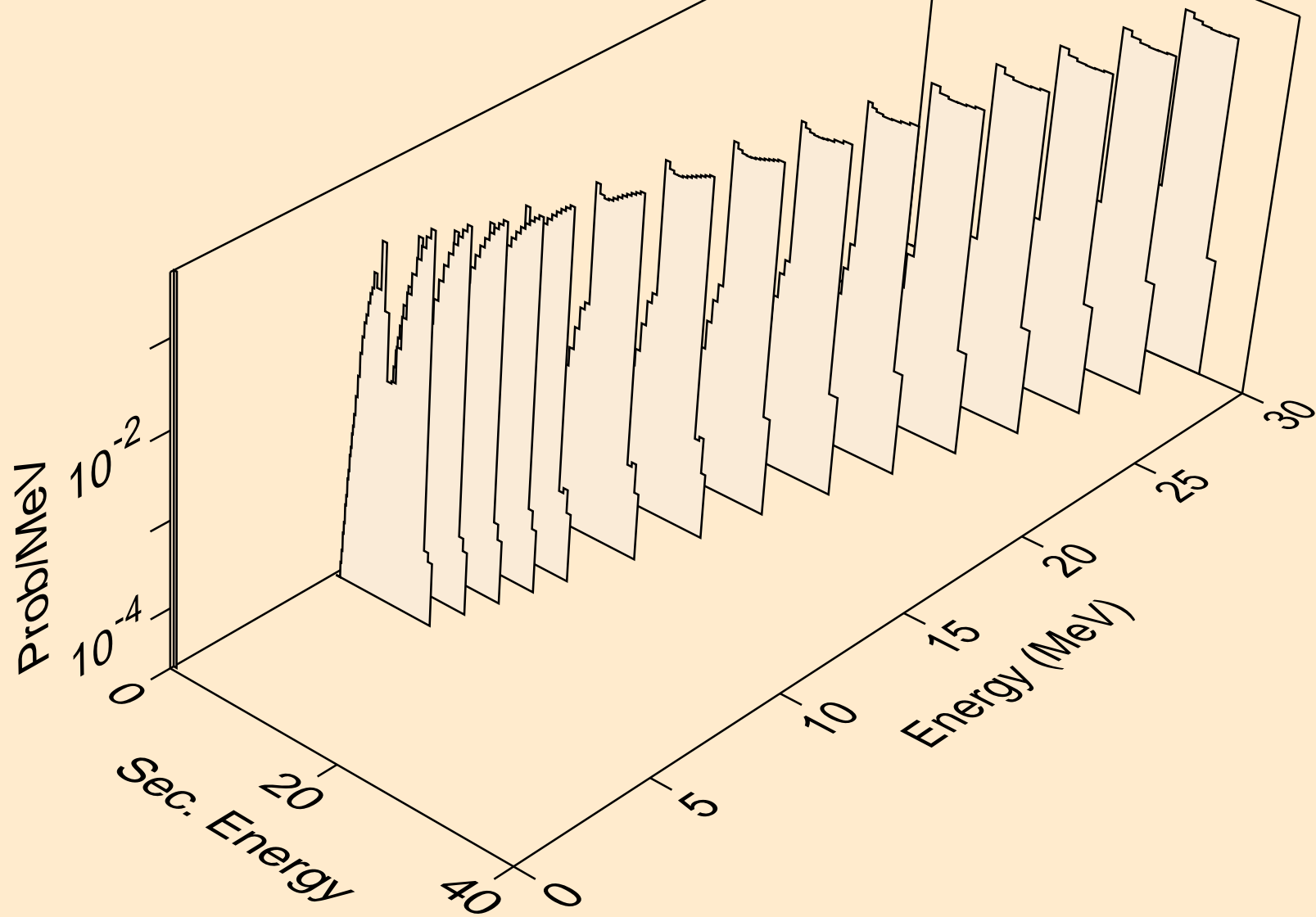
EU166 HELION ACER TENDL-2021 LIBRARY; T=0.K
deuterons from (s,2nd)



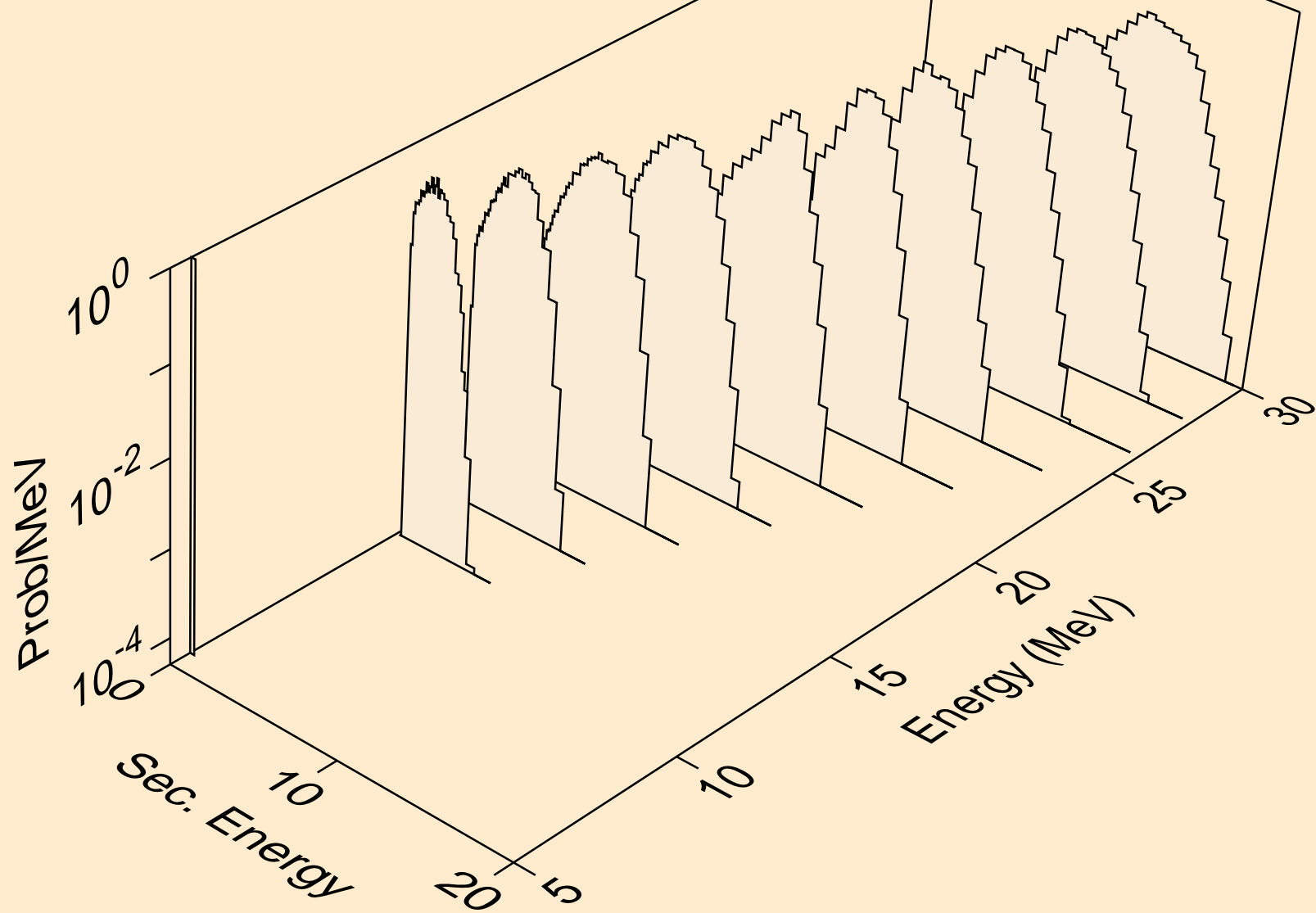
EU166 HELION ACER TENDL-2021 LIBRARY; T=0.K
deuterons from (s,n*)d



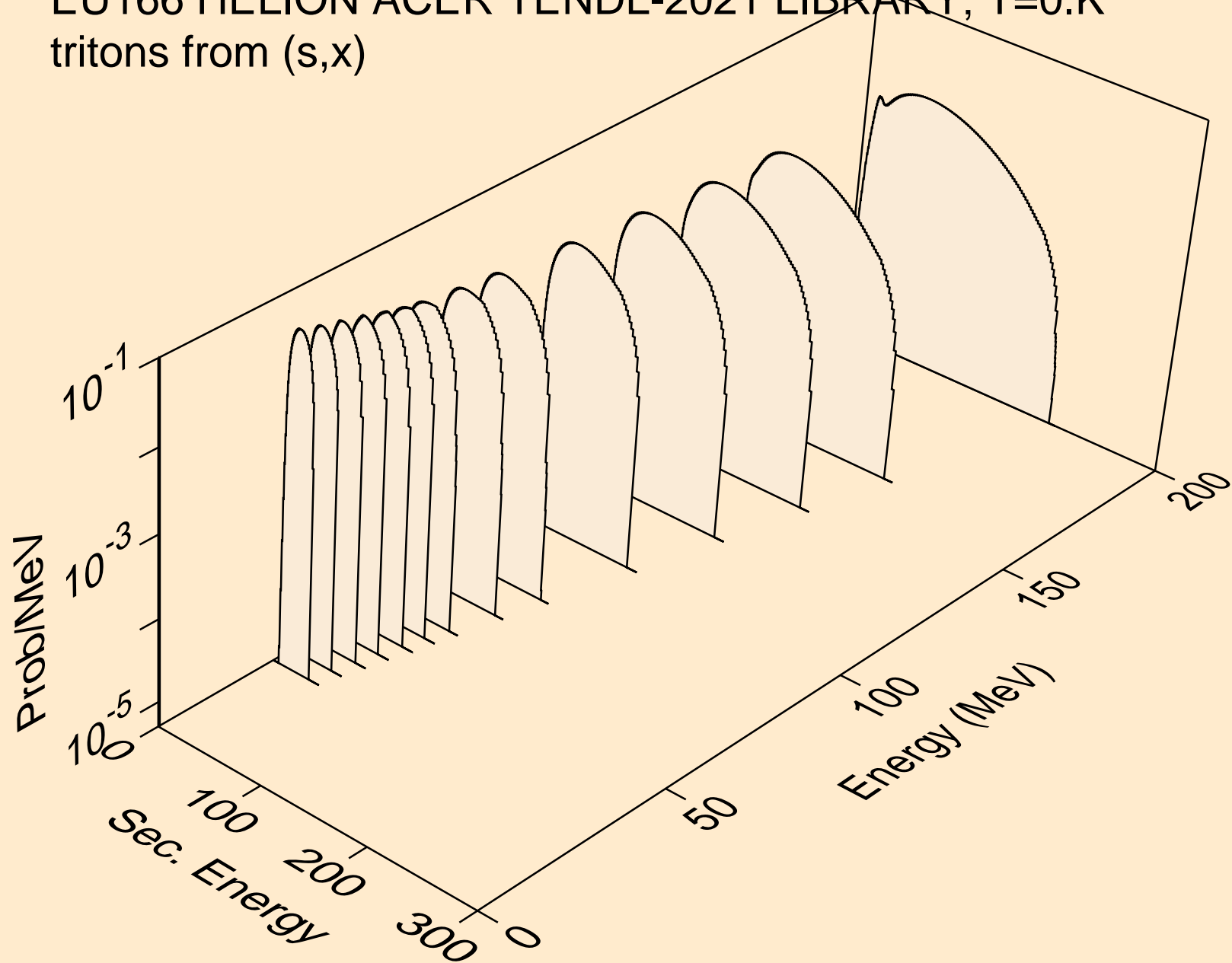
EU166 HELION ACER TENDL-2021 LIBRARY; T=0.K
deuterons from (s,d)



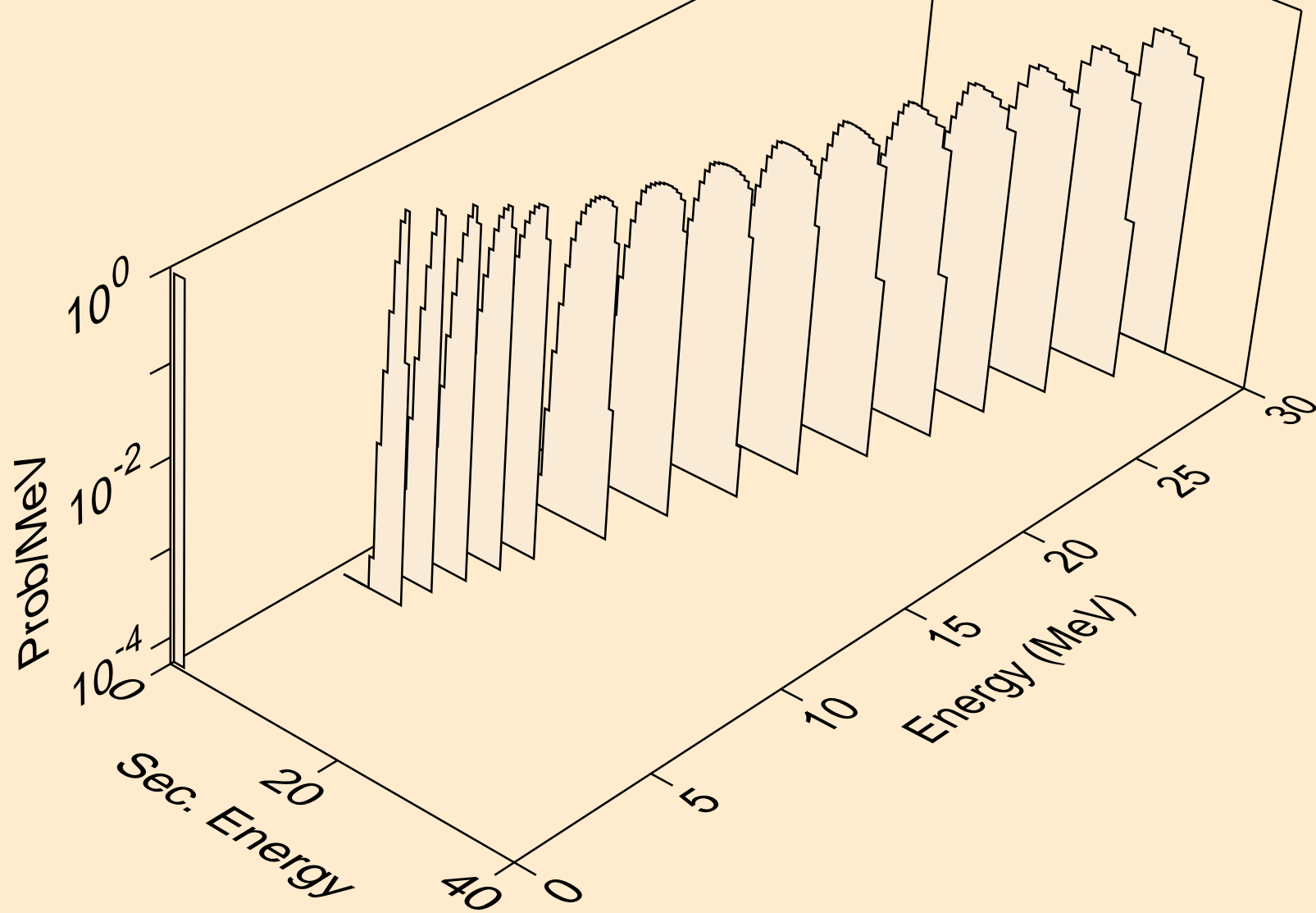
EU166 HELION ACER TENDL-2021 LIBRARY; T=0.K
deuterons from (s,pd)



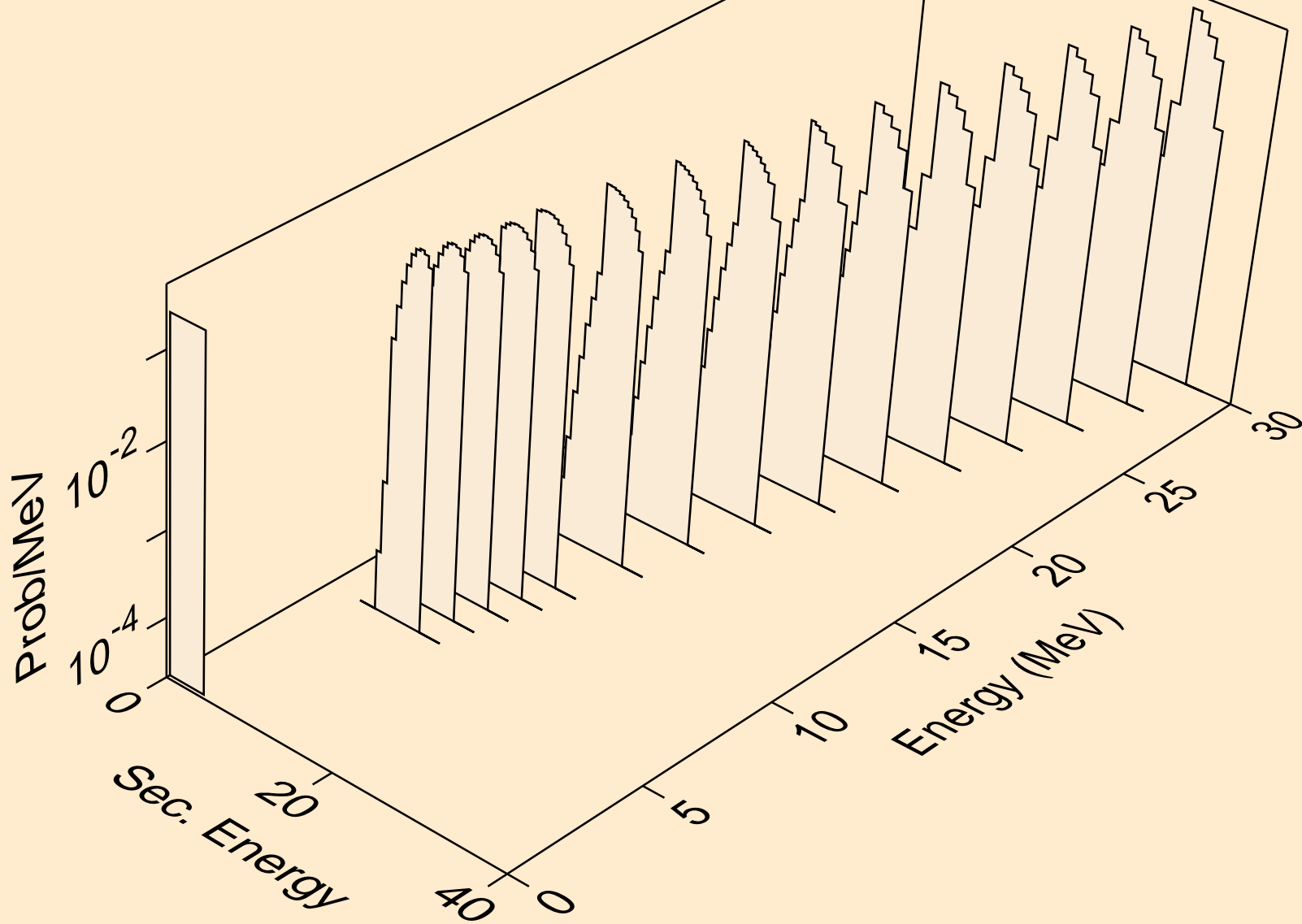
EU166 HELION ACER TENDL-2021 LIBRARY; T=0.K
tritons from (s,x)



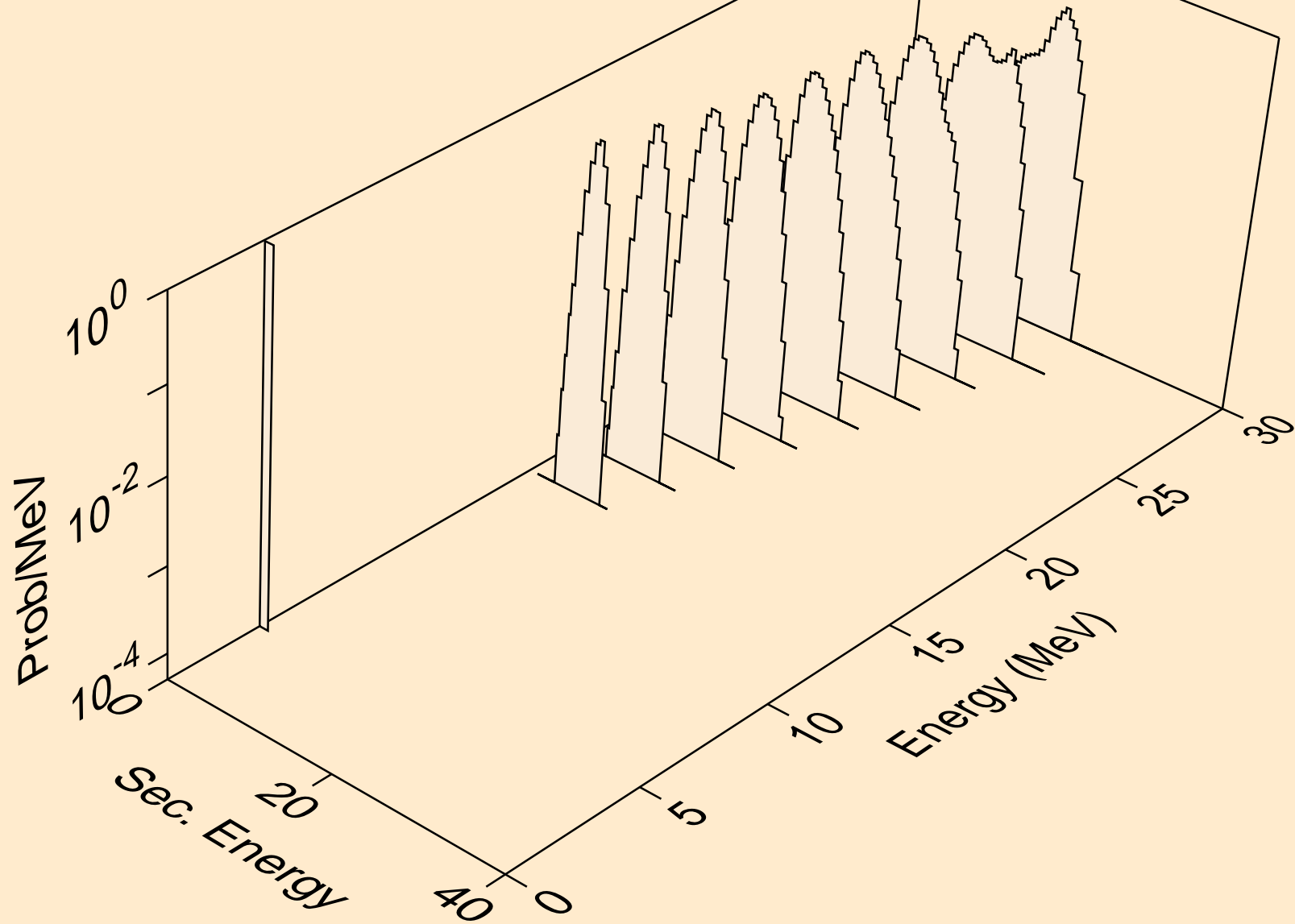
EU166 HELION ACER TENDL-2021 LIBRARY; T=0.K
tritons from (s,n*)t



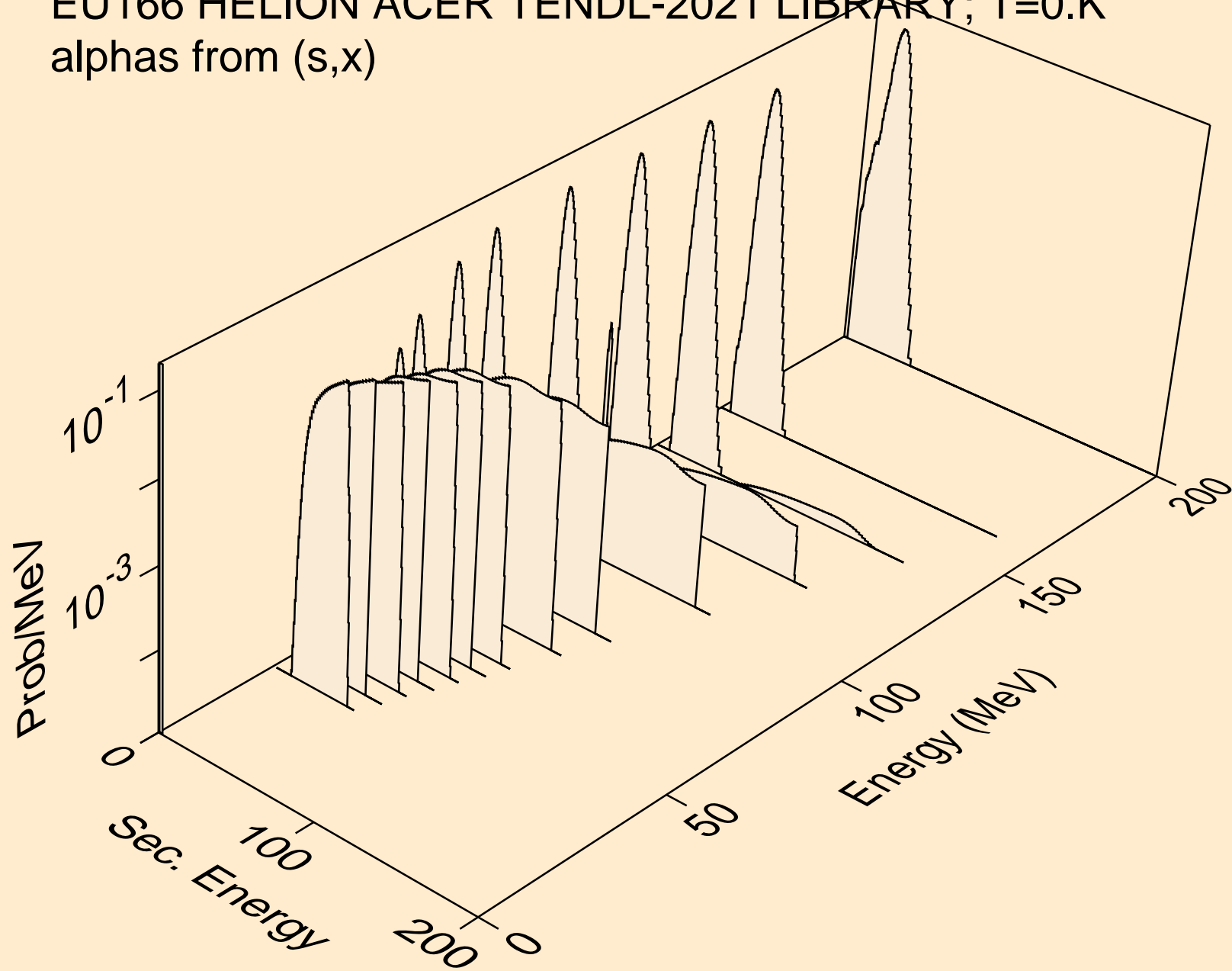
EU166 HELION ACER TENDL-2021 LIBRARY; T=0.K
tritons from (s,t)



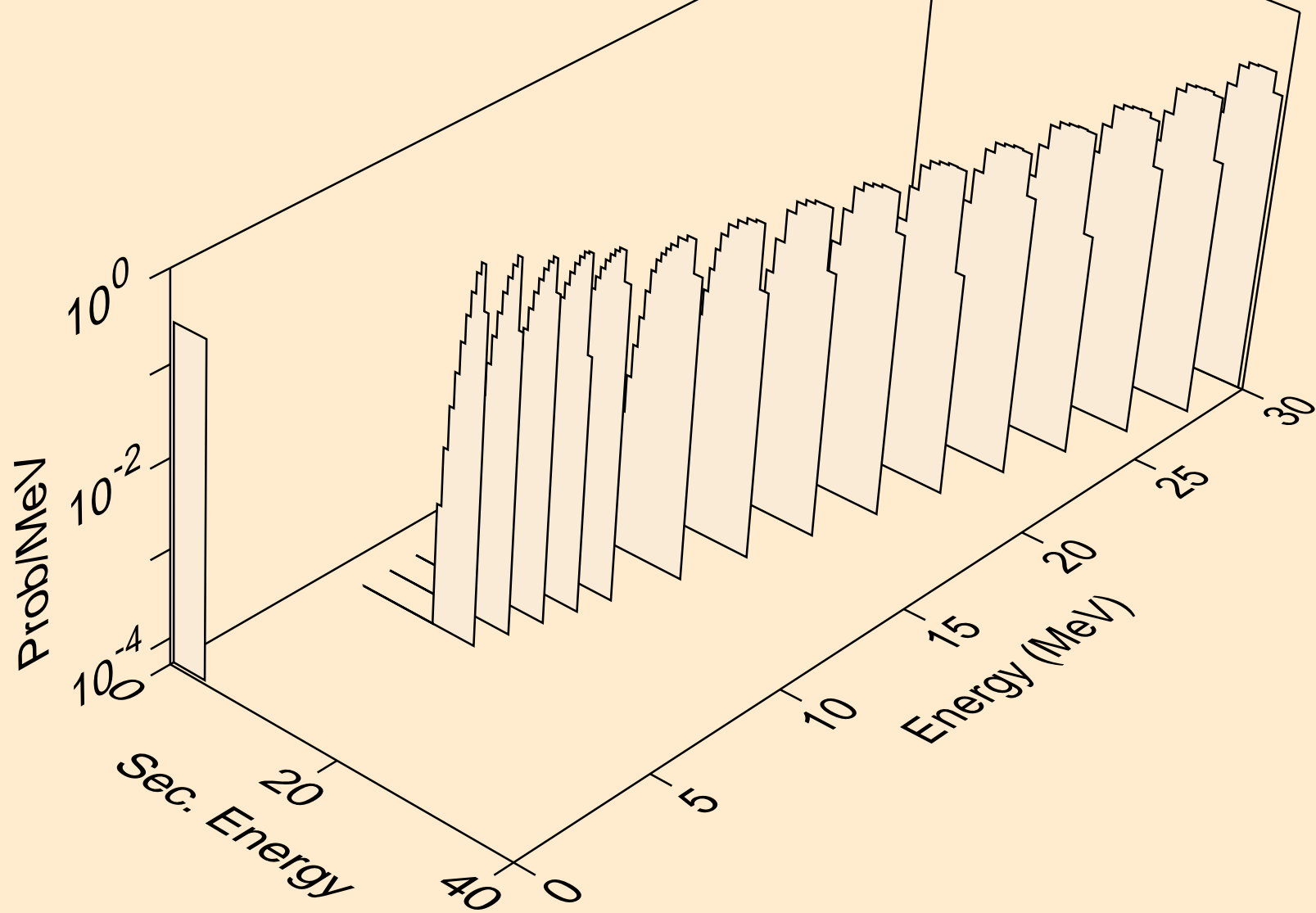
EU166 HELION ACER TENDL-2021 LIBRARY; T=0.K
tritons from (s,pt)



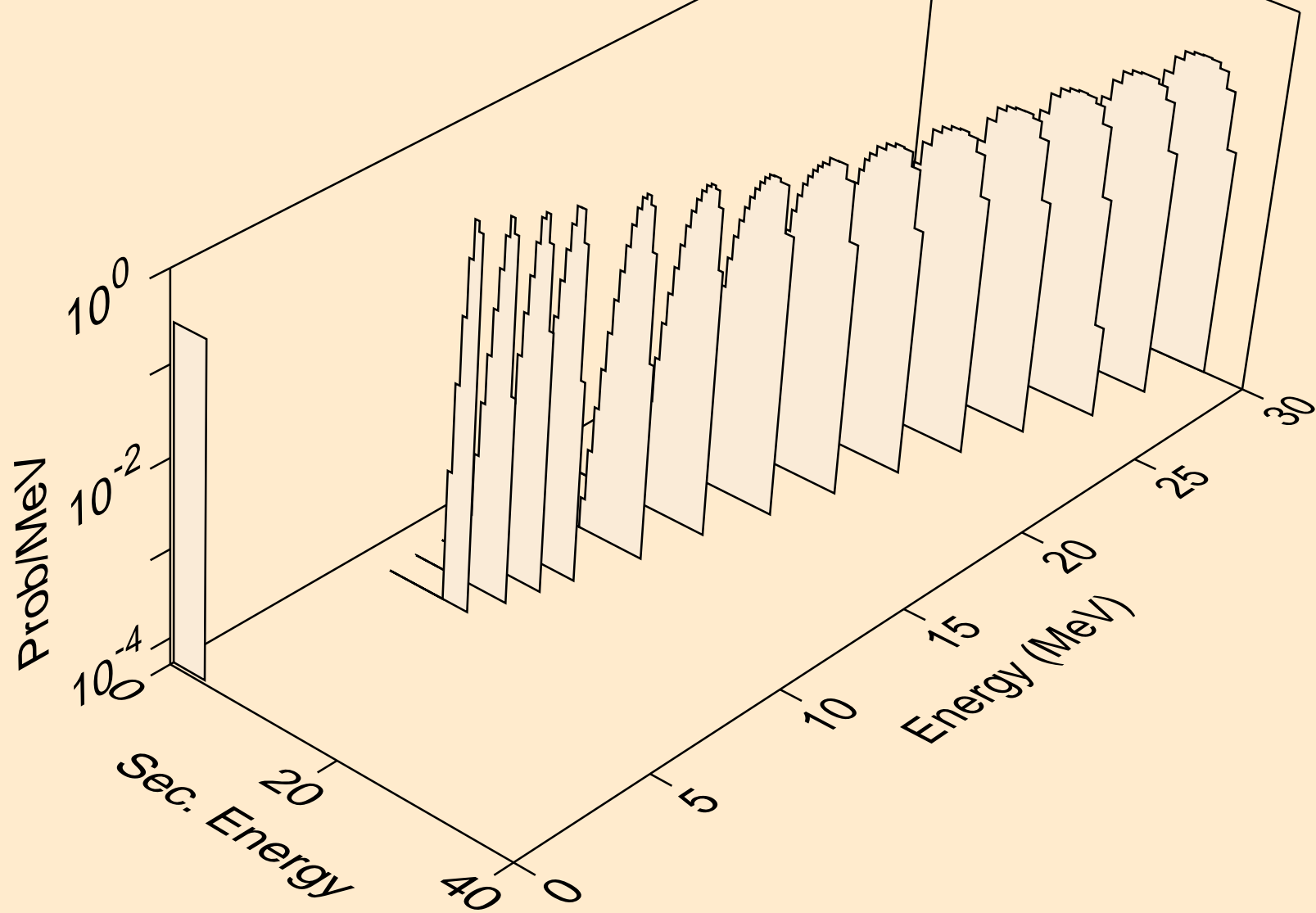
EU166 HELION ACER TENDL-2021 LIBRARY; T=0.K
alphas from (s,x)



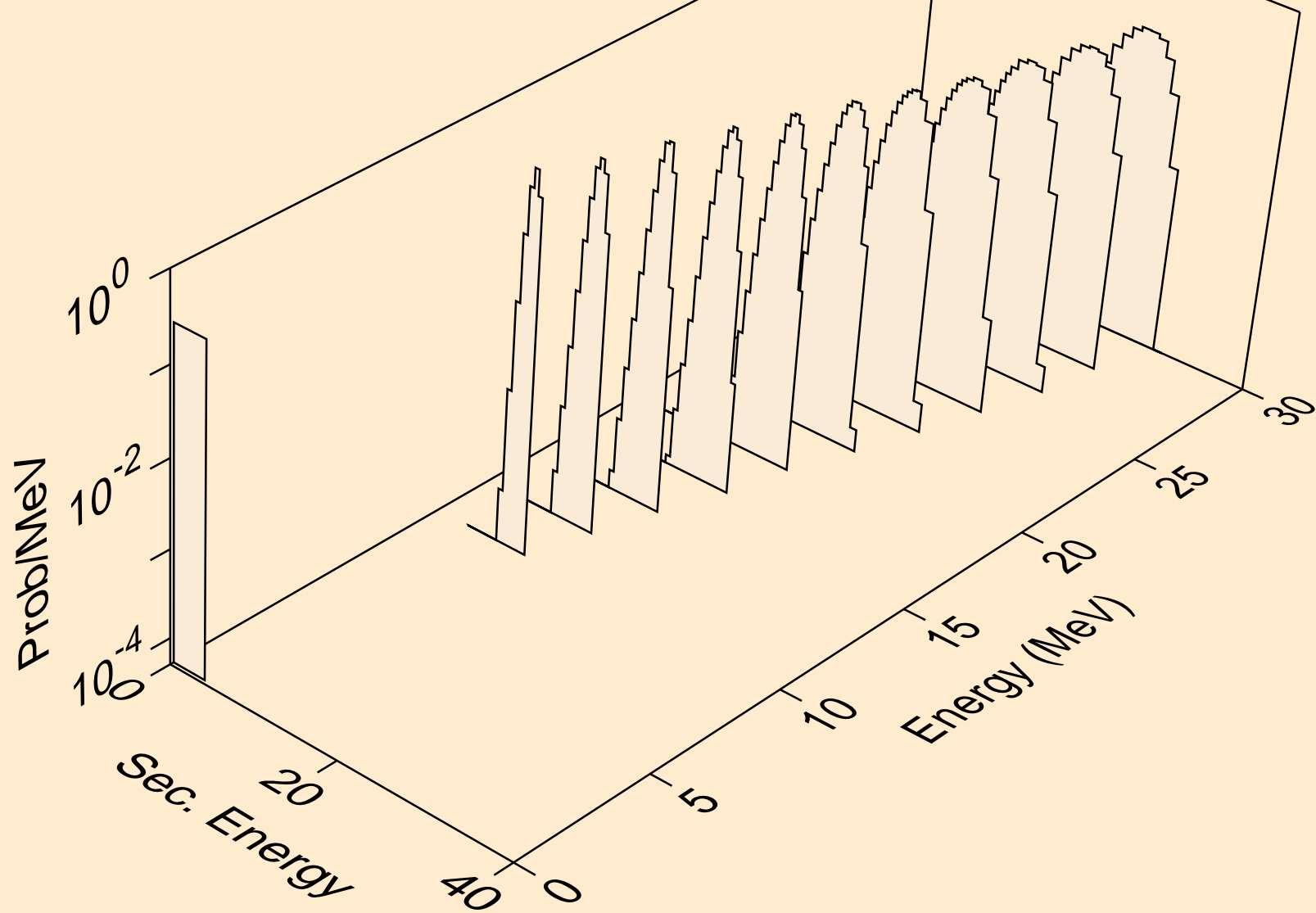
EU166 HELION ACER TENDL-2021 LIBRARY; T=0.K
alphas from (s,n*)a



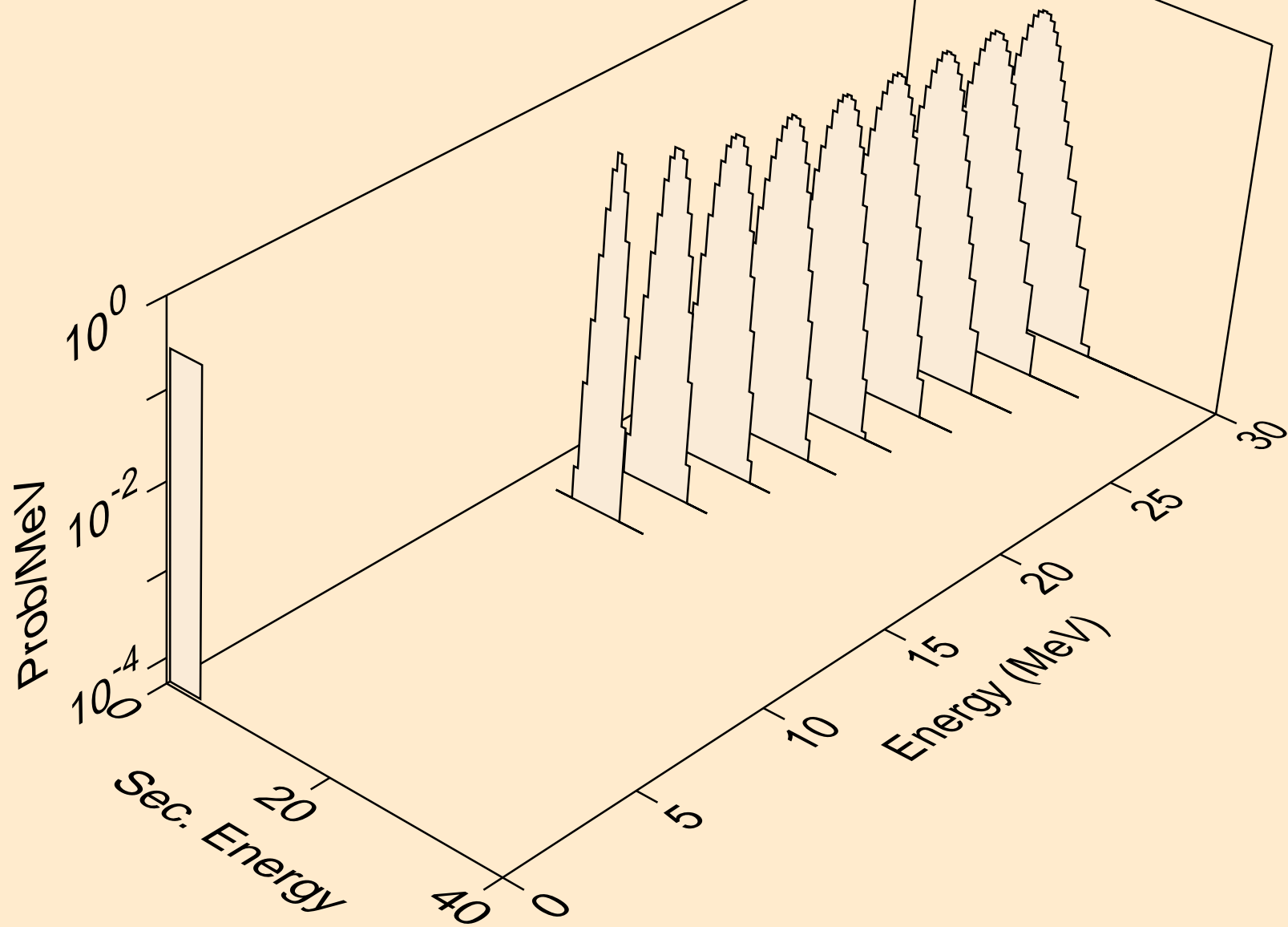
EU166 HELION ACER TENDL-2021 LIBRARY; T=0.K
alphas from (s,2n)a



EU166 HELION ACER TENDL-2021 LIBRARY; T=0.K
alphas from (s,3n)a



EU166 HELION ACER TENDL-2021 LIBRARY; T=0.K
alphas from (s,npa)



EU166 HELION ACER TENDL-2021 LIBRARY; T=0.K
alphas from (s,a)

