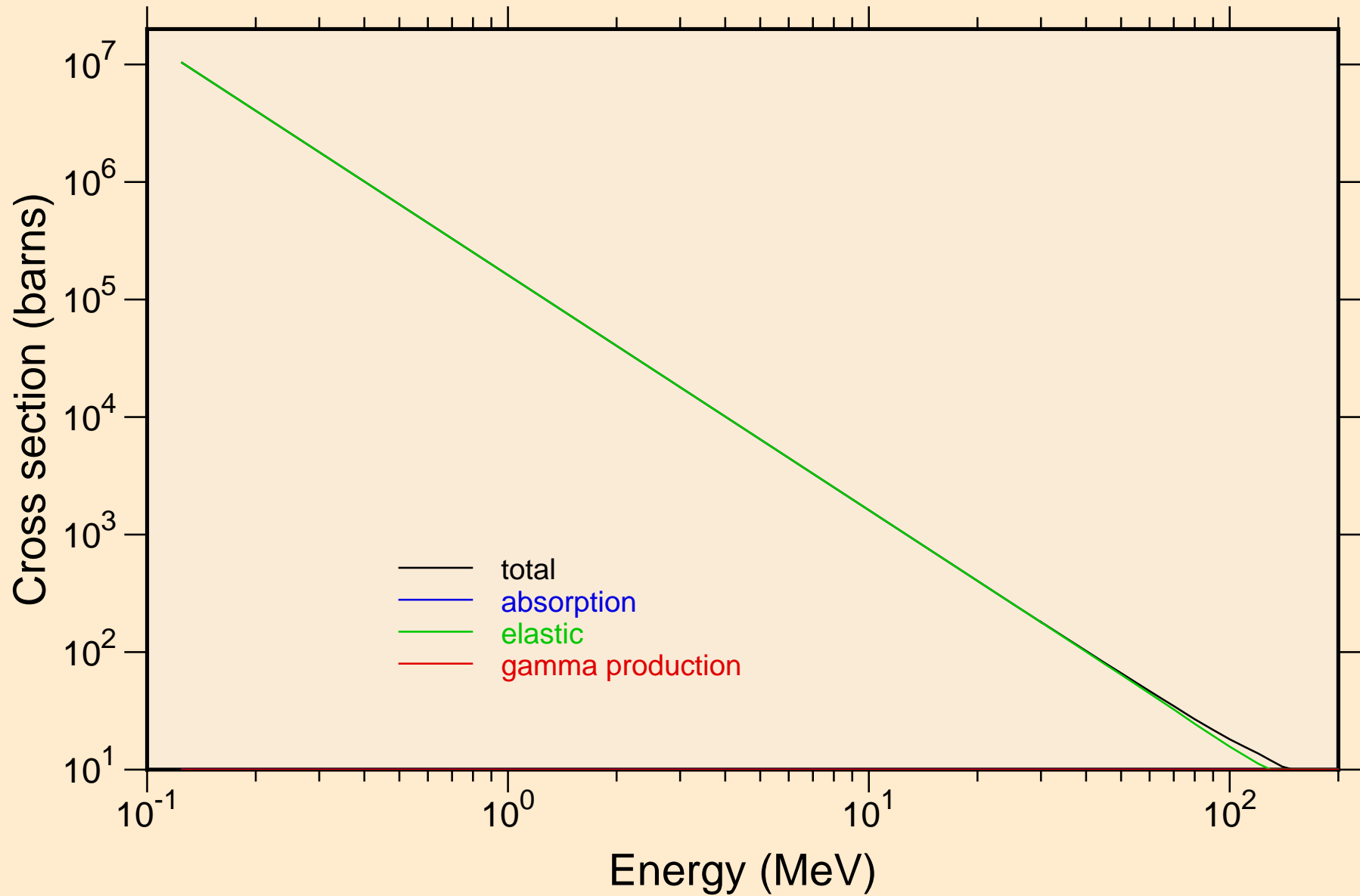
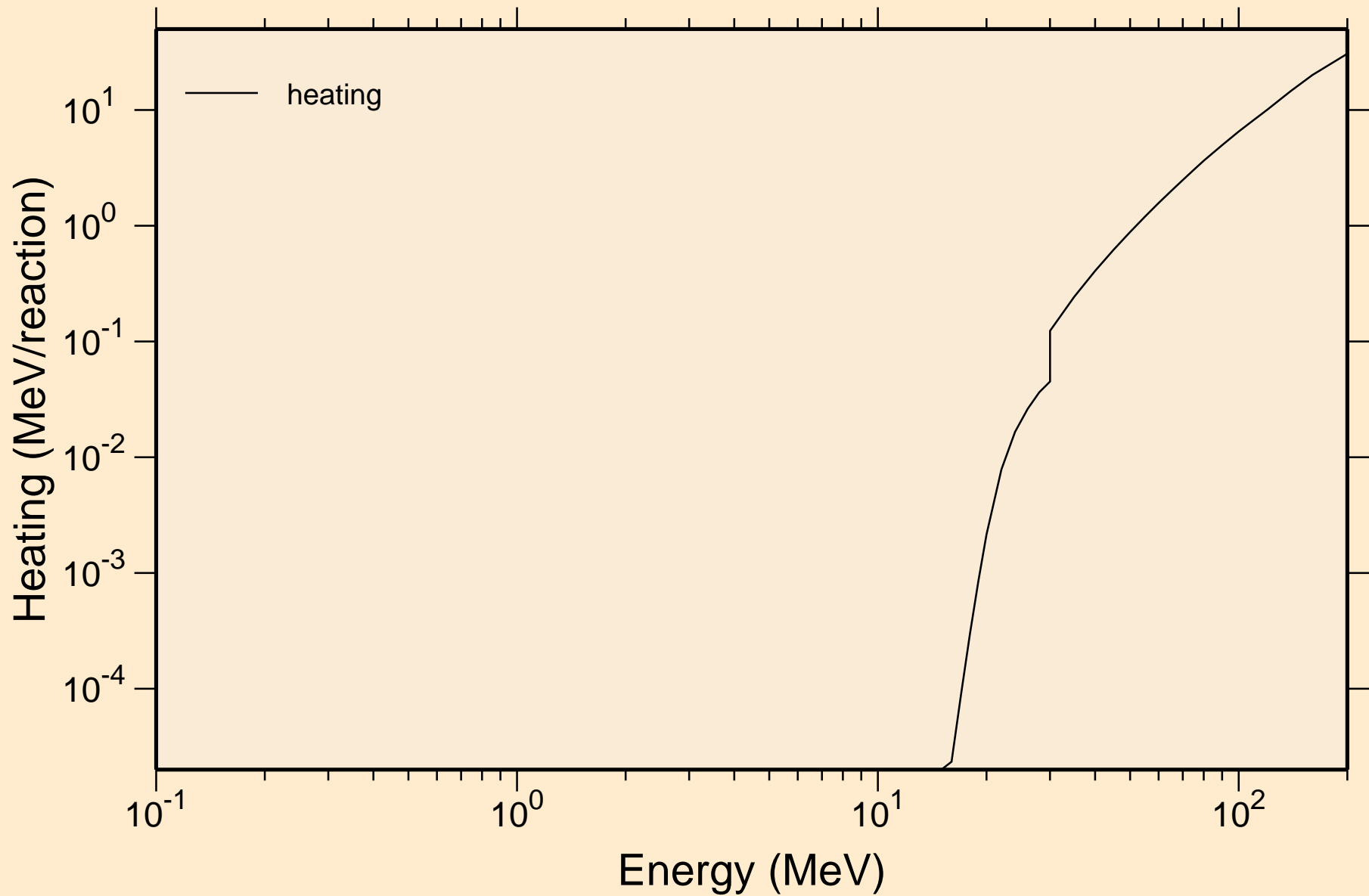


HG213 HELION ACER TENDL-2021 LIBRARY; T=0.K

Principal cross sections

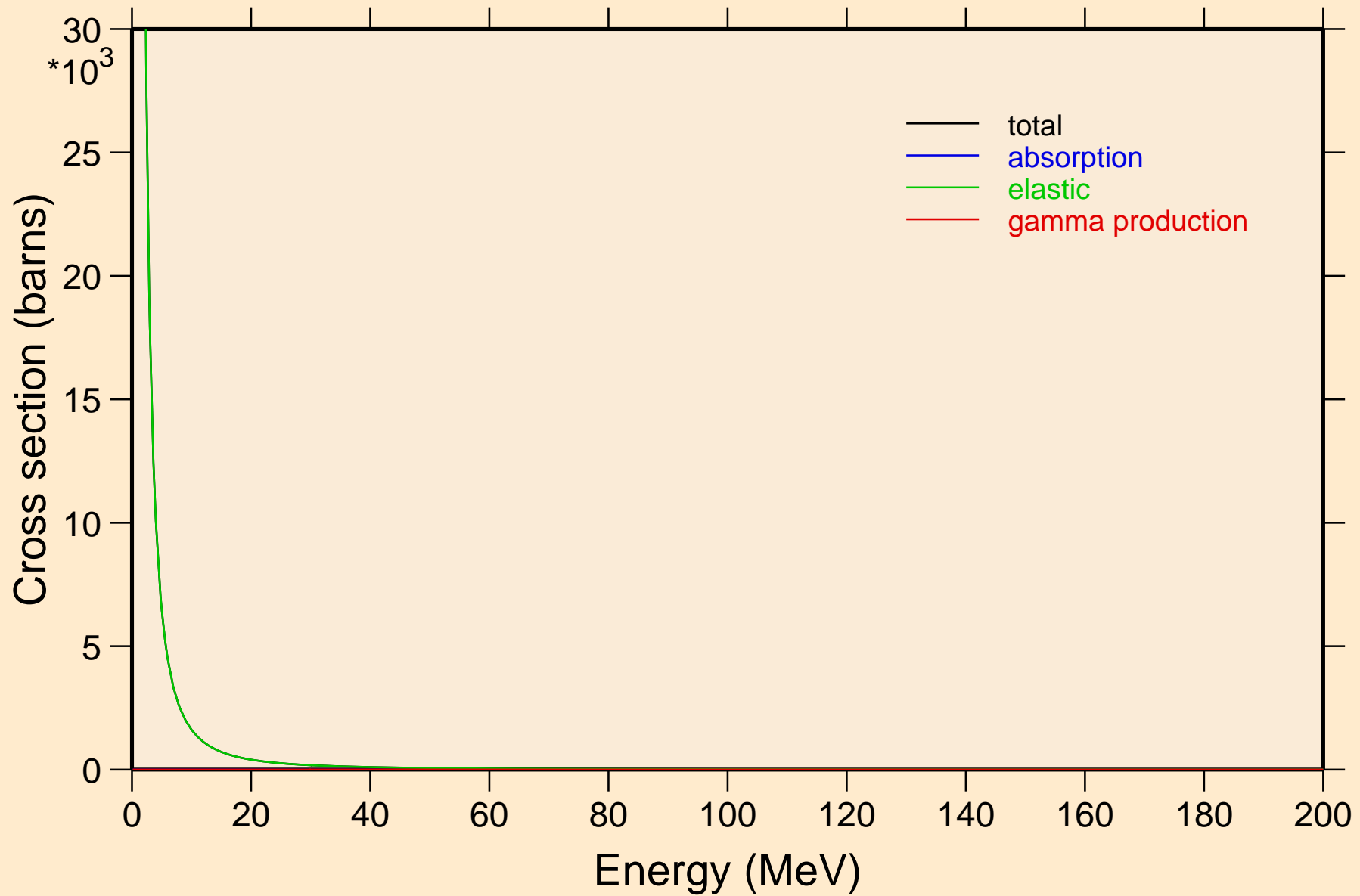


HG213 HELION ACER TENDL-2021 LIBRARY; T=0.K
Heating



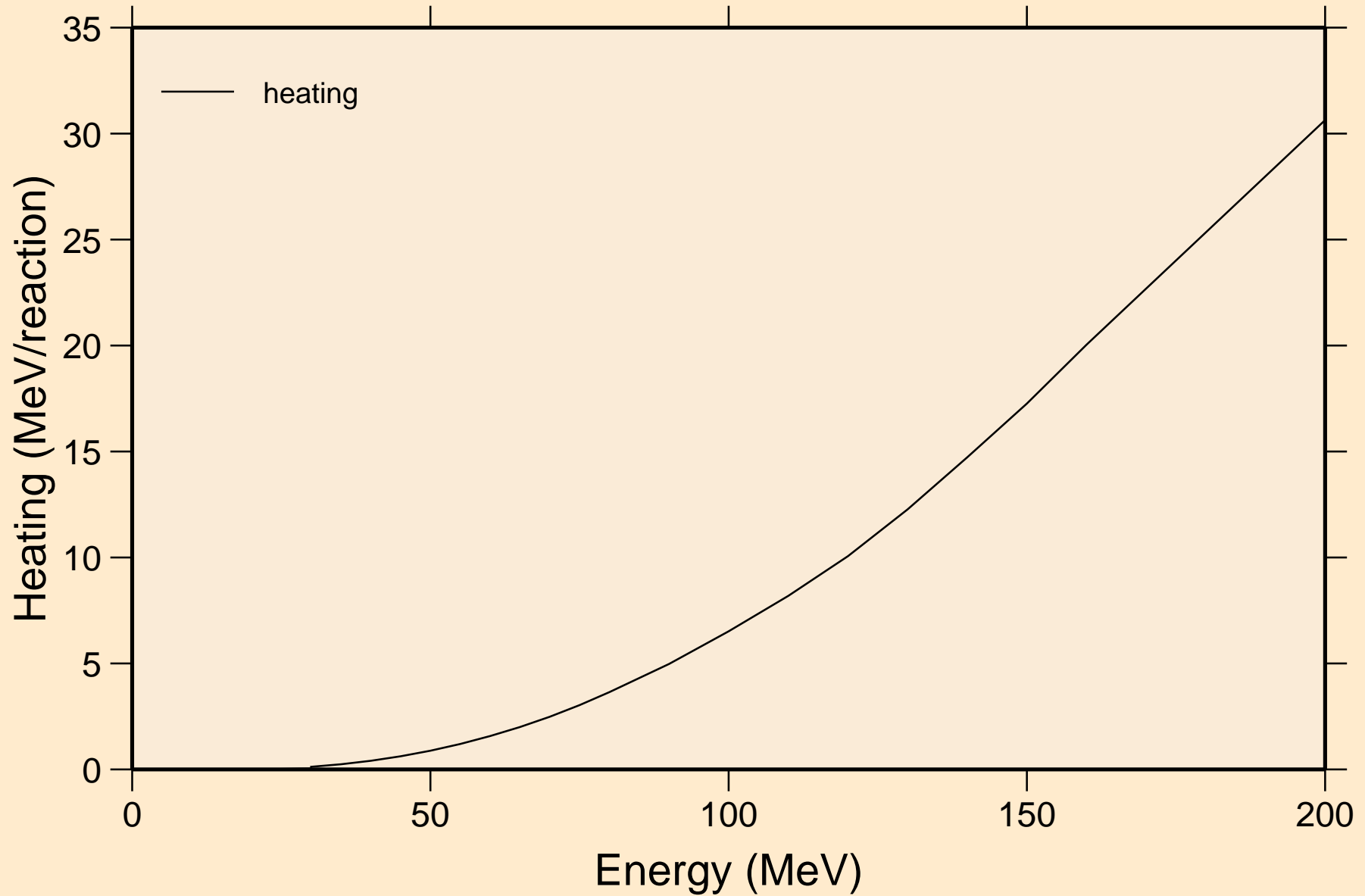
HG213 HELION ACER TENDL-2021 LIBRARY; T=0.K

Principal cross sections

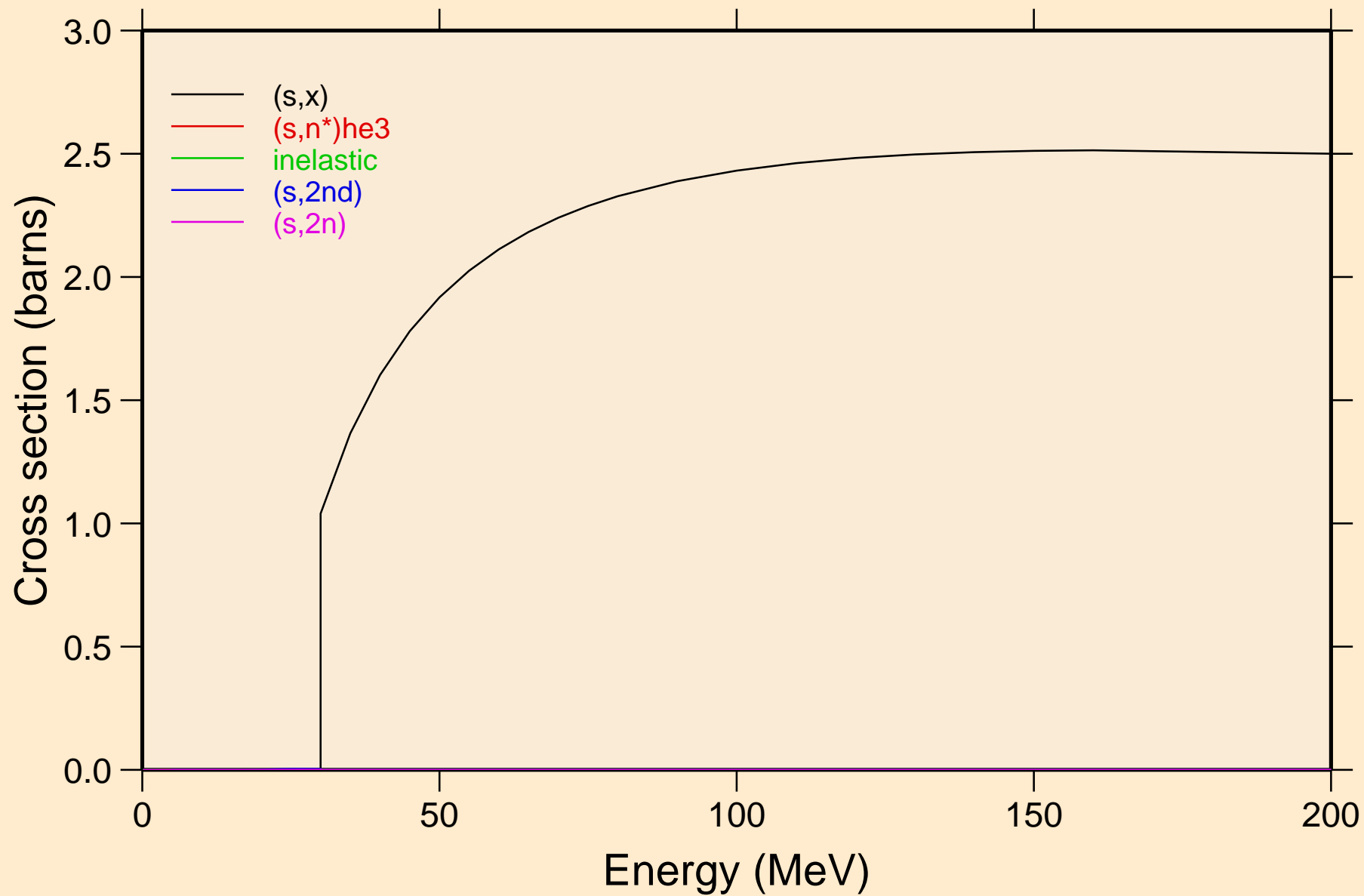


HG213 HELION ACER TENDL-2021 LIBRARY; T=0.K

Heating

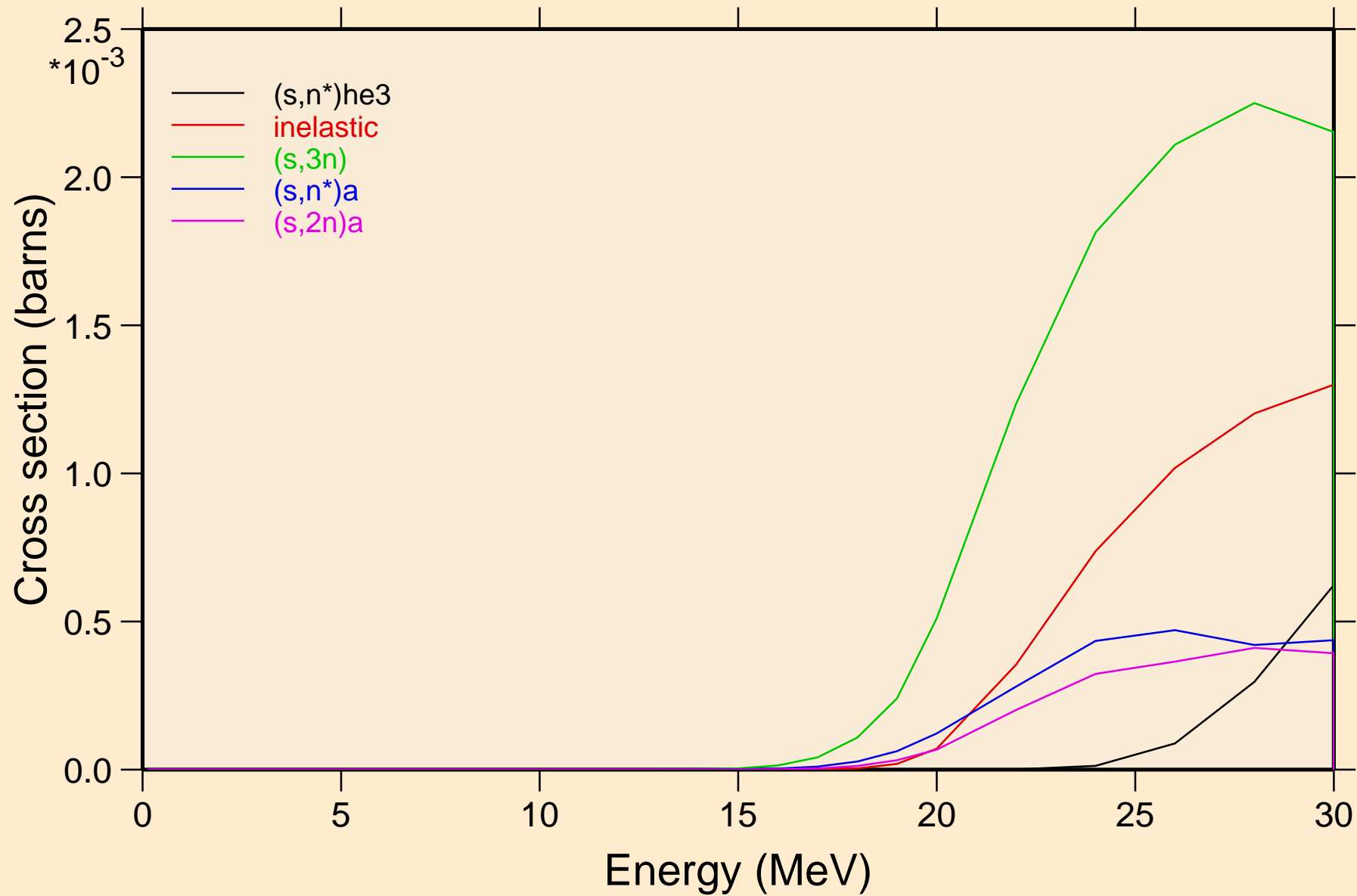


HG213 HELION ACER TENDL-2021 LIBRARY; T=0.K
Threshold reactions



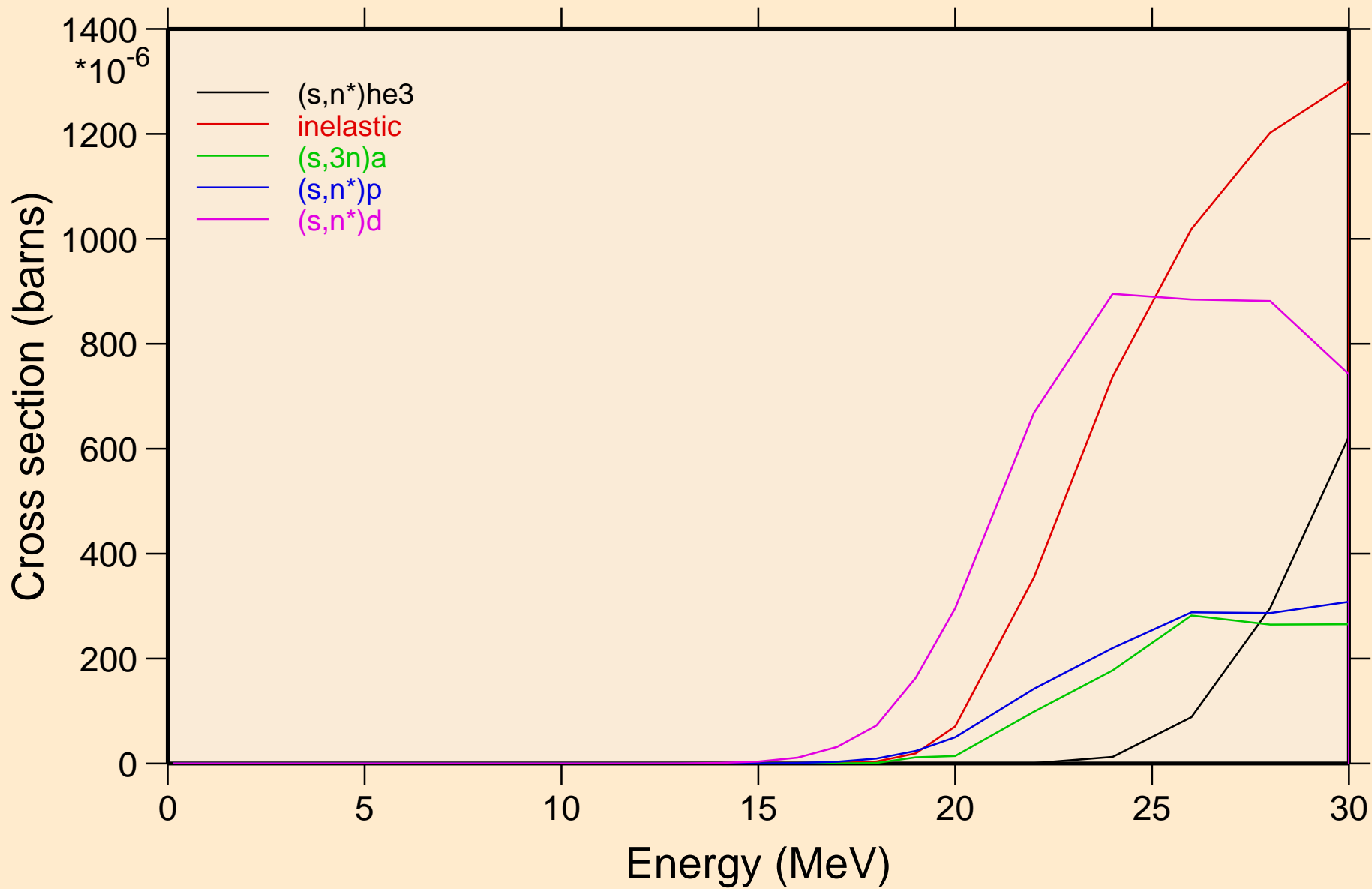
HG213 HELION ACER TENDL-2021 LIBRARY; T=0.K

Threshold reactions



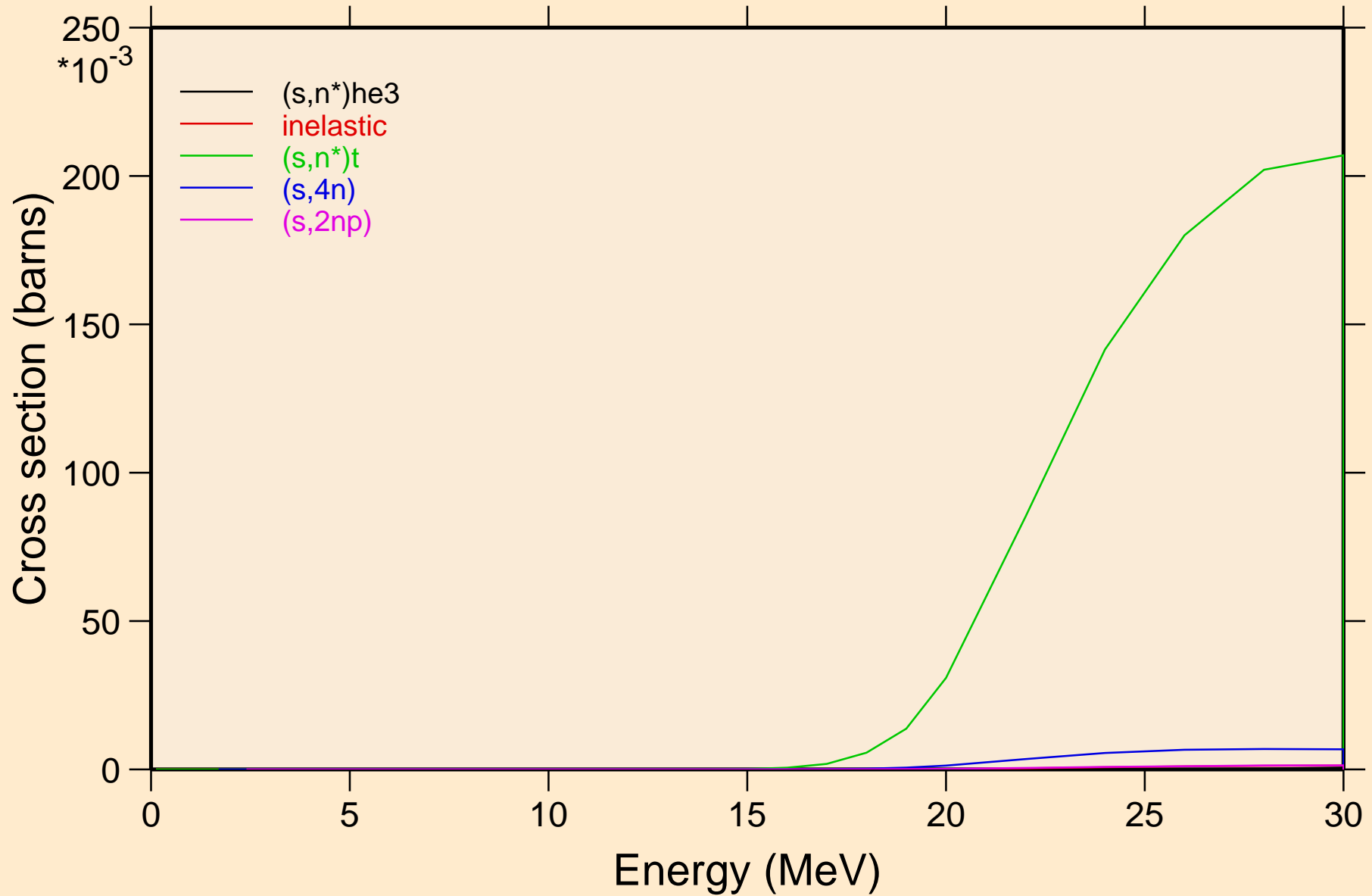
HG213 HELION ACER TENDL-2021 LIBRARY; T=0.K

Threshold reactions



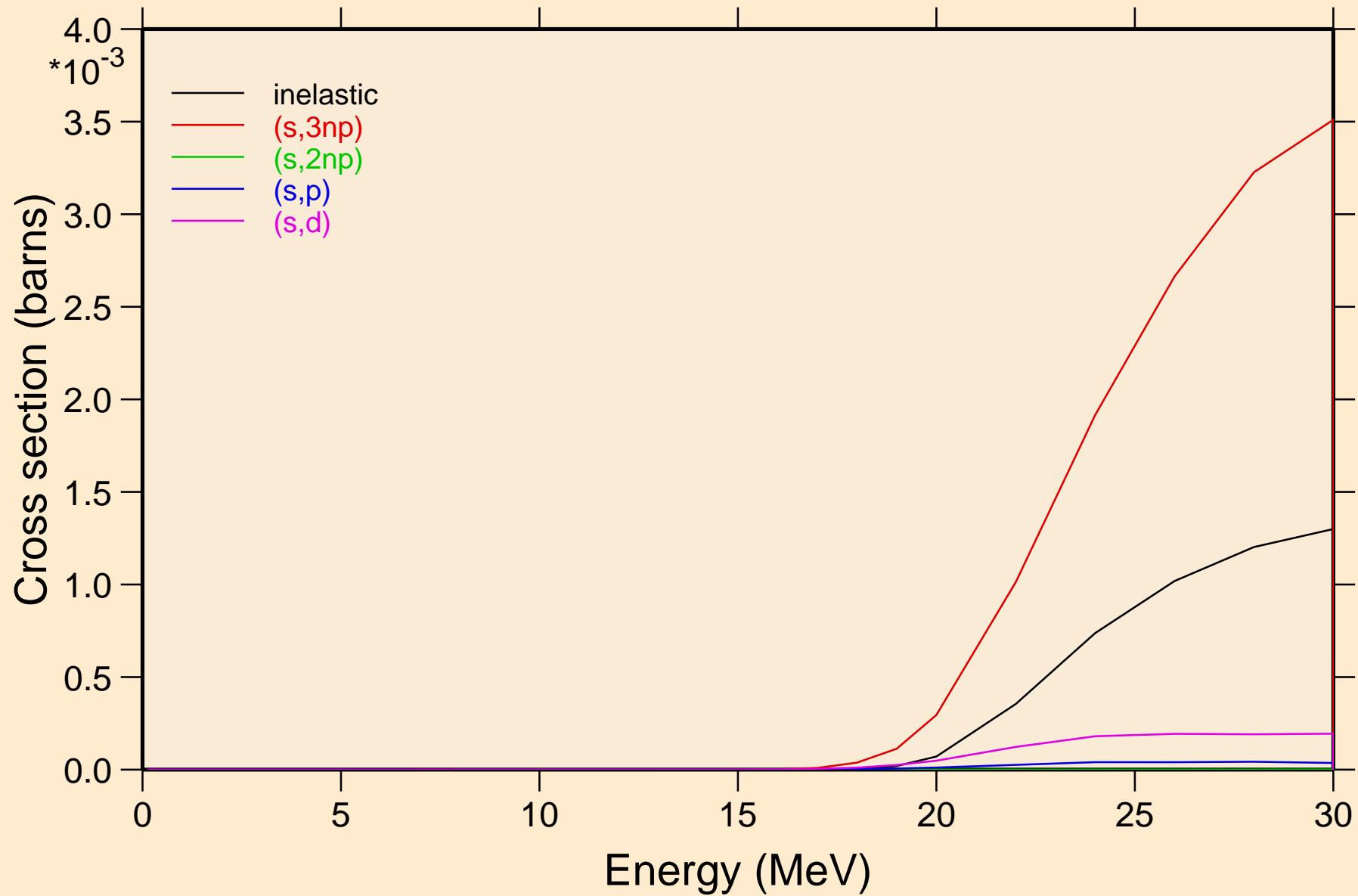
HG213 HELION ACER TENDL-2021 LIBRARY; T=0.K

Threshold reactions



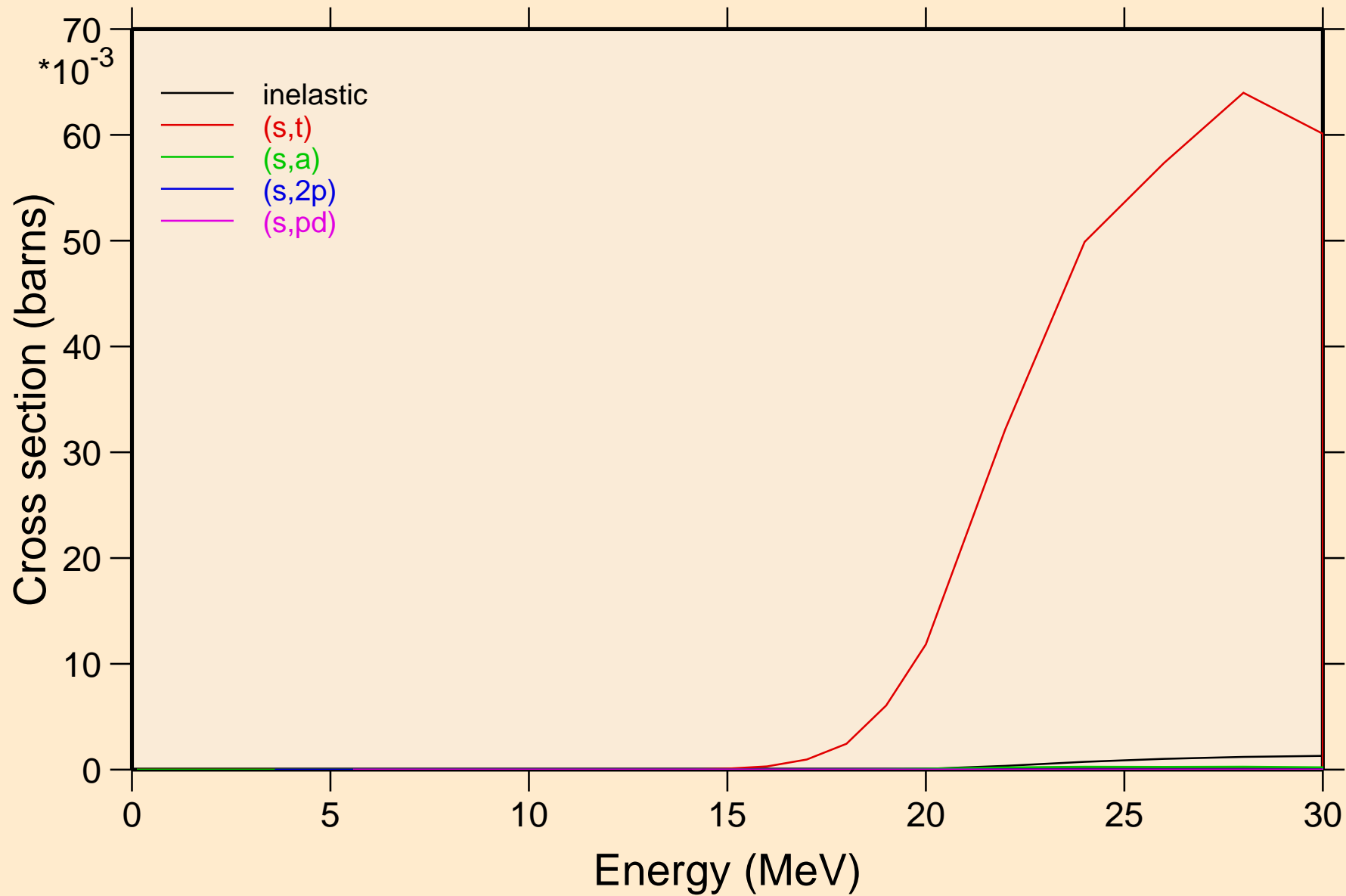
HG213 HELION ACER TENDL-2021 LIBRARY; T=0.K

Threshold reactions

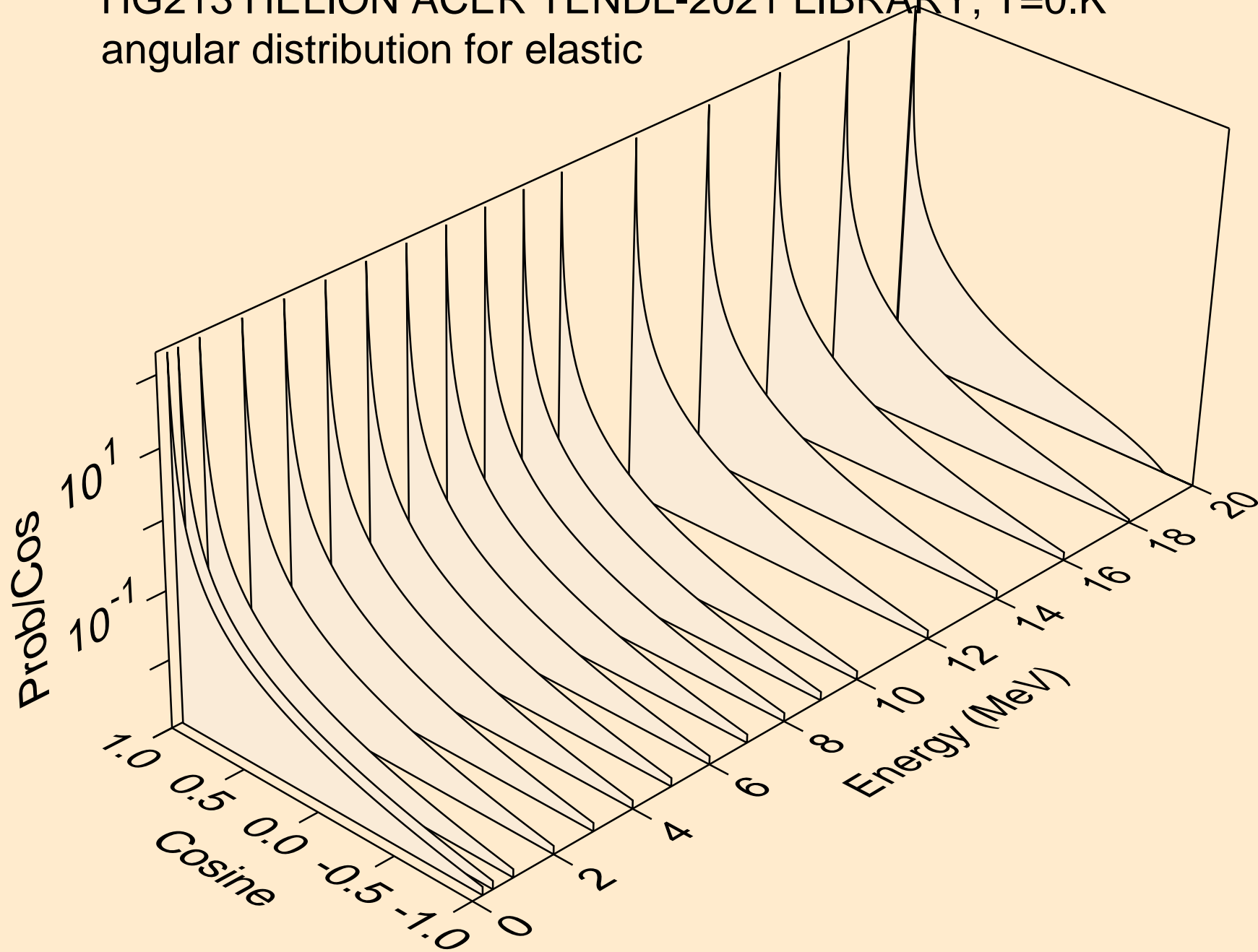


HG213 HELION ACER TENDL-2021 LIBRARY; T=0.K

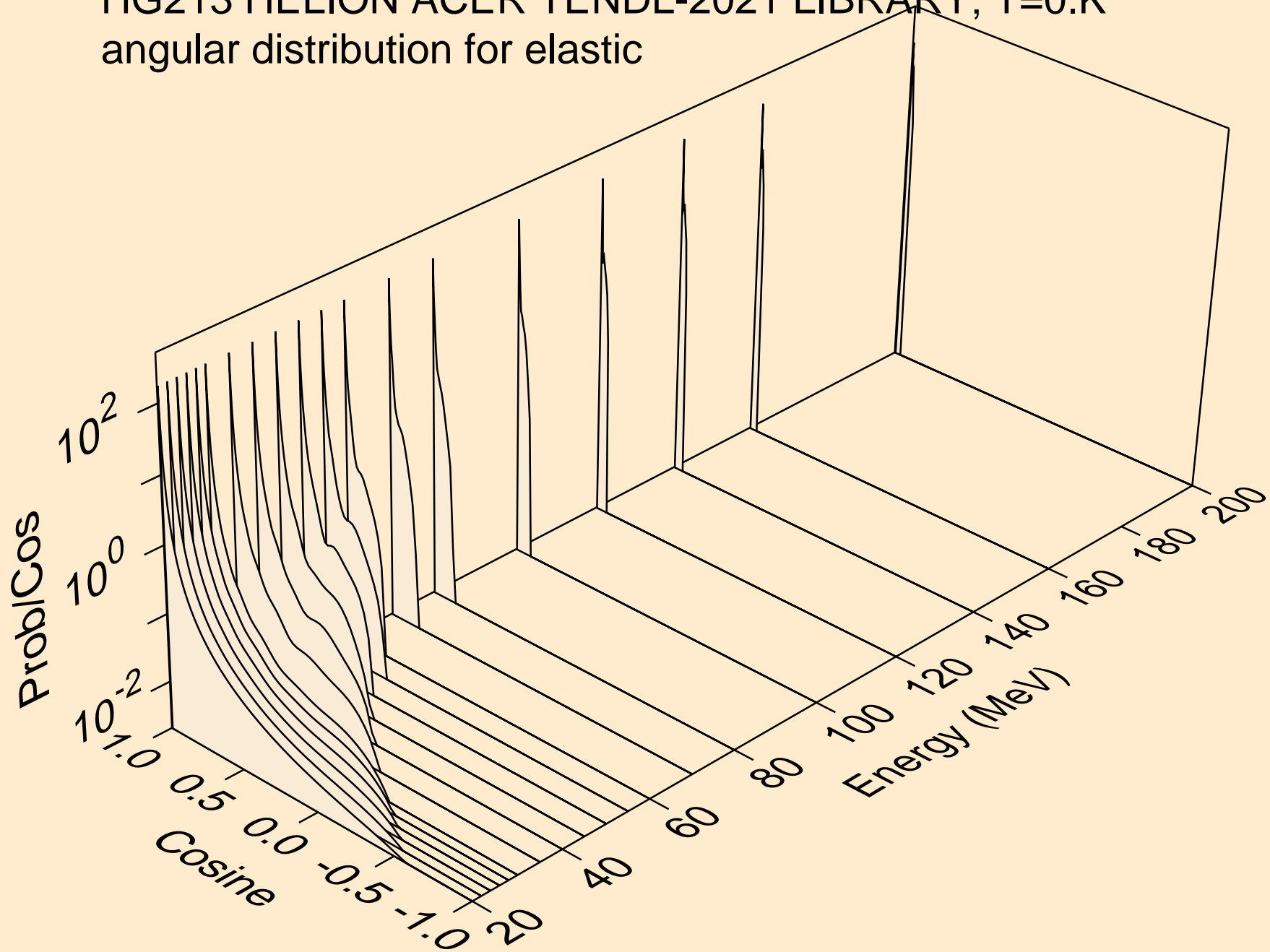
Threshold reactions



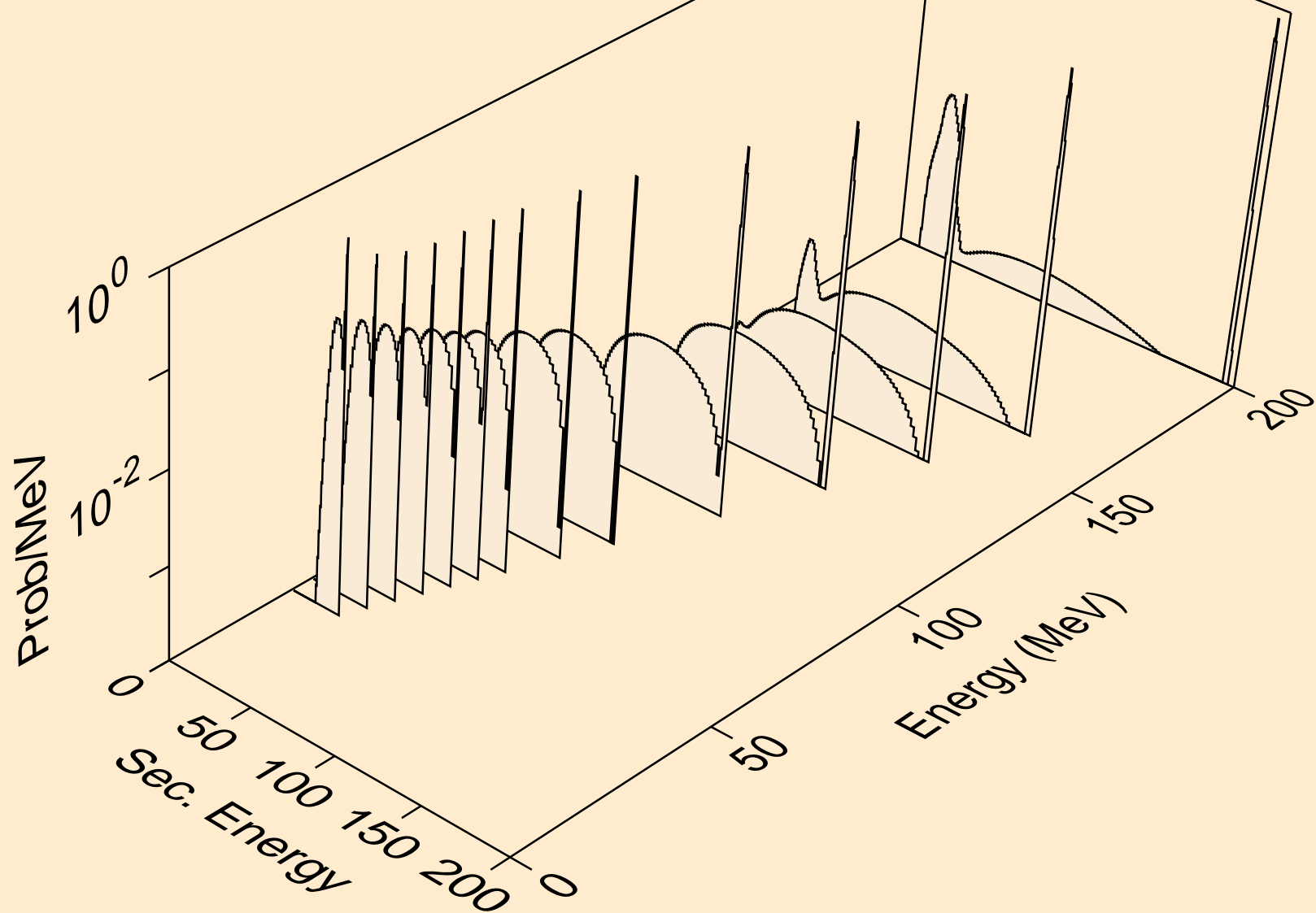
HG213 HELION ACER TENDL-2021 LIBRARY; T=0.K
angular distribution for elastic



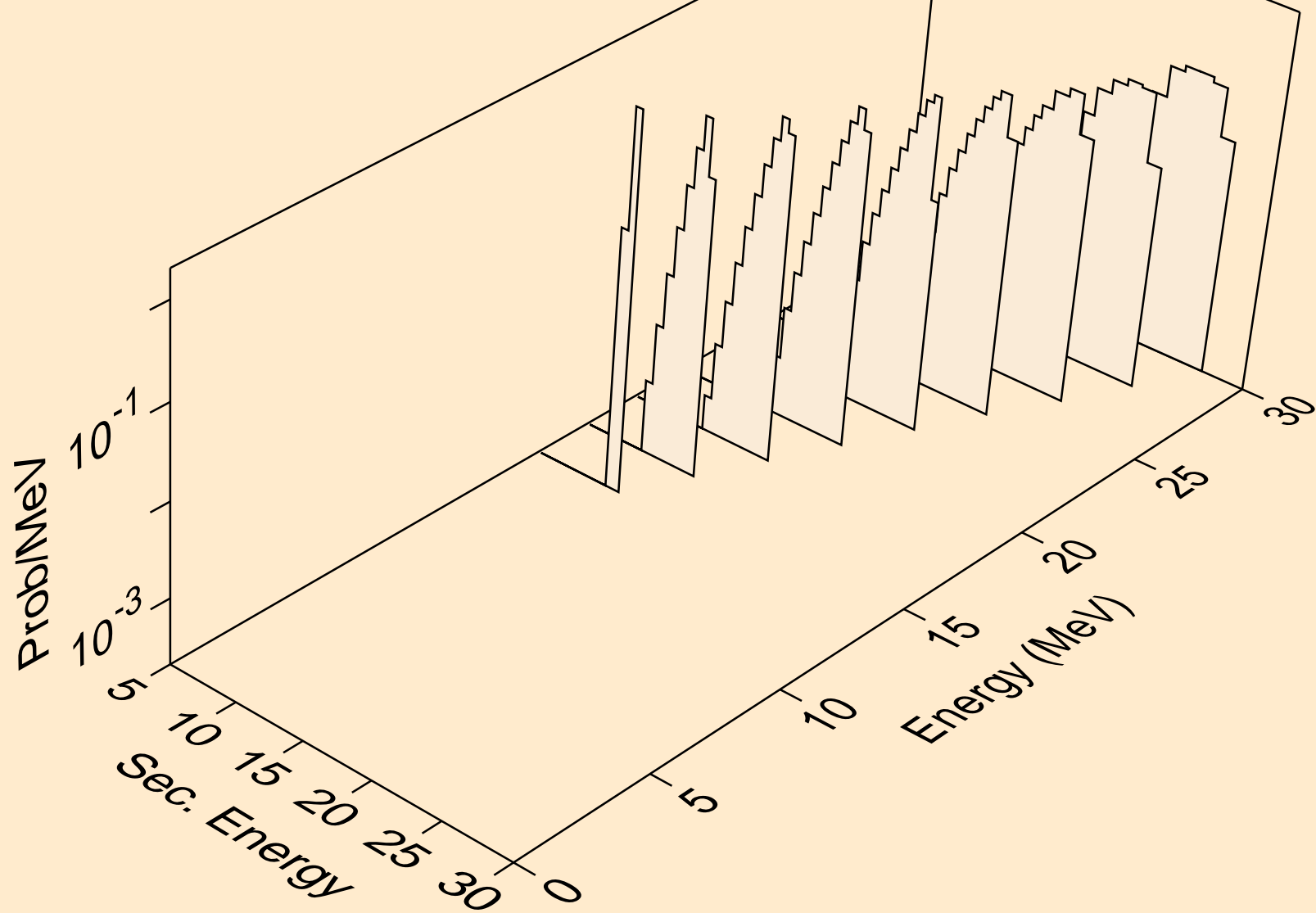
HG213 HELION ACER TENDL-2021 LIBRARY; T=0.K
angular distribution for elastic



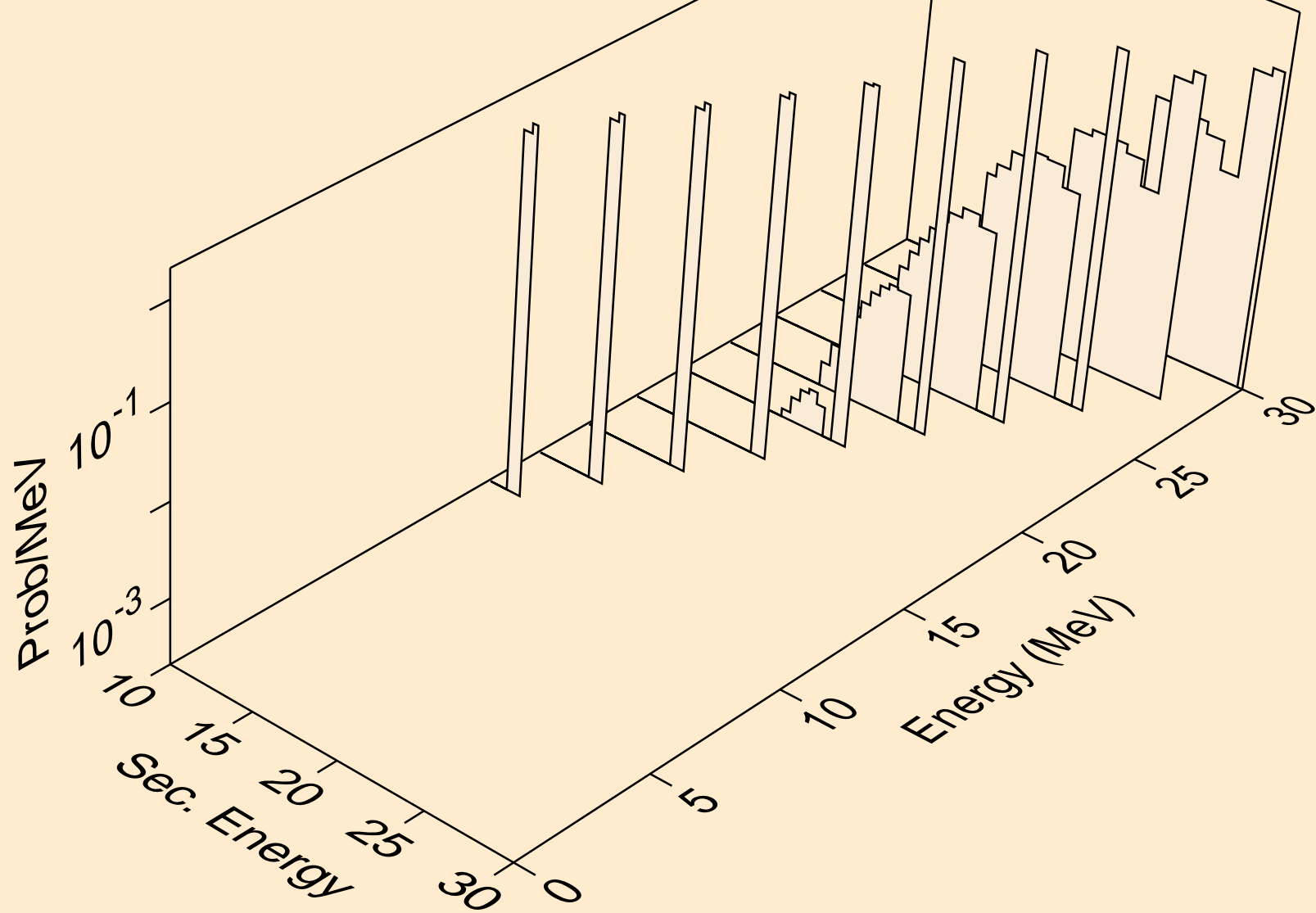
HG213 HELION ACER TENDL-2021 LIBRARY; T=0.K
He-3 emission for (s,x)



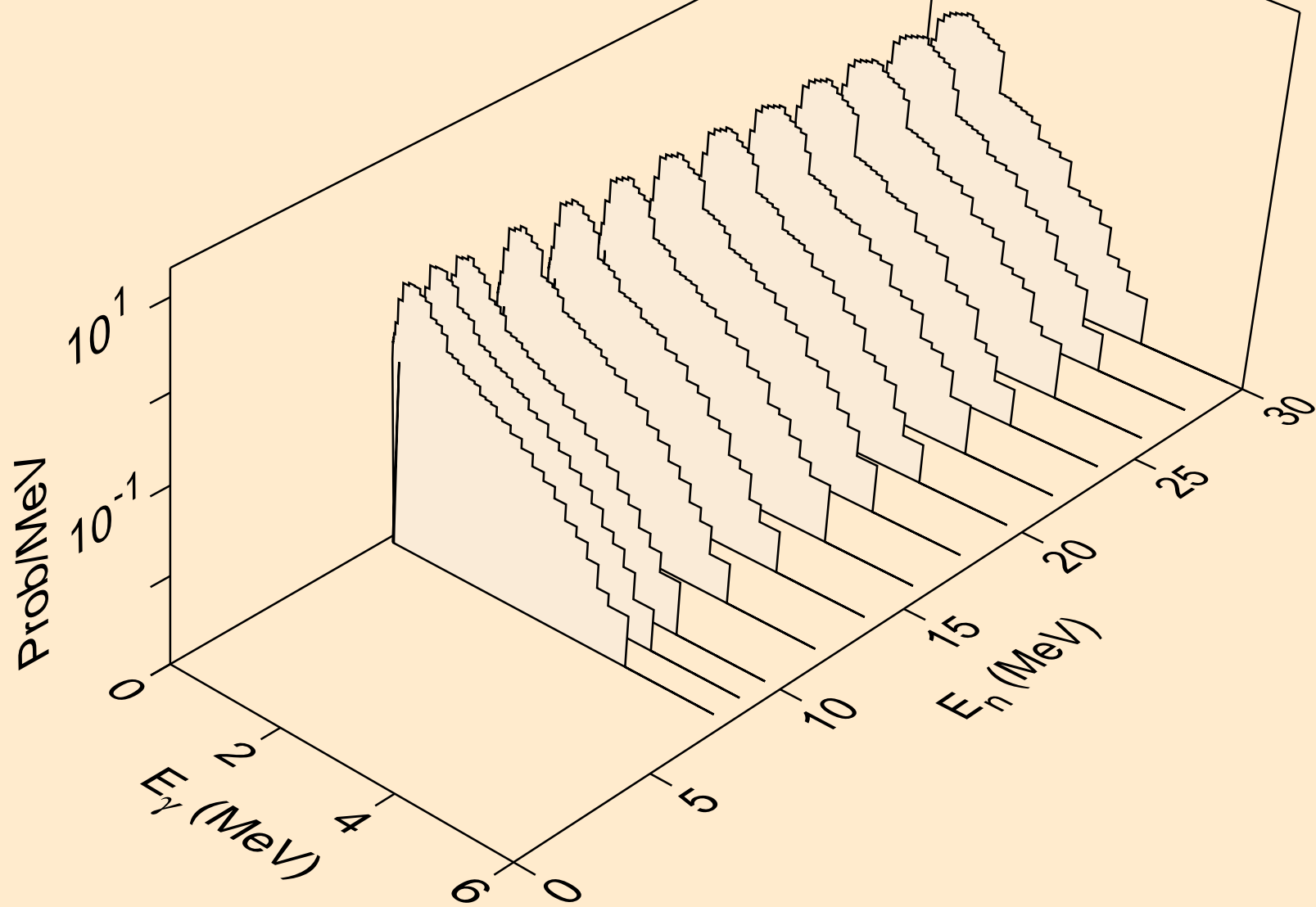
HG213 HELION ACER TENDL-2021 LIBRARY; T=0.K
He-3 emission for (s,n*)he3



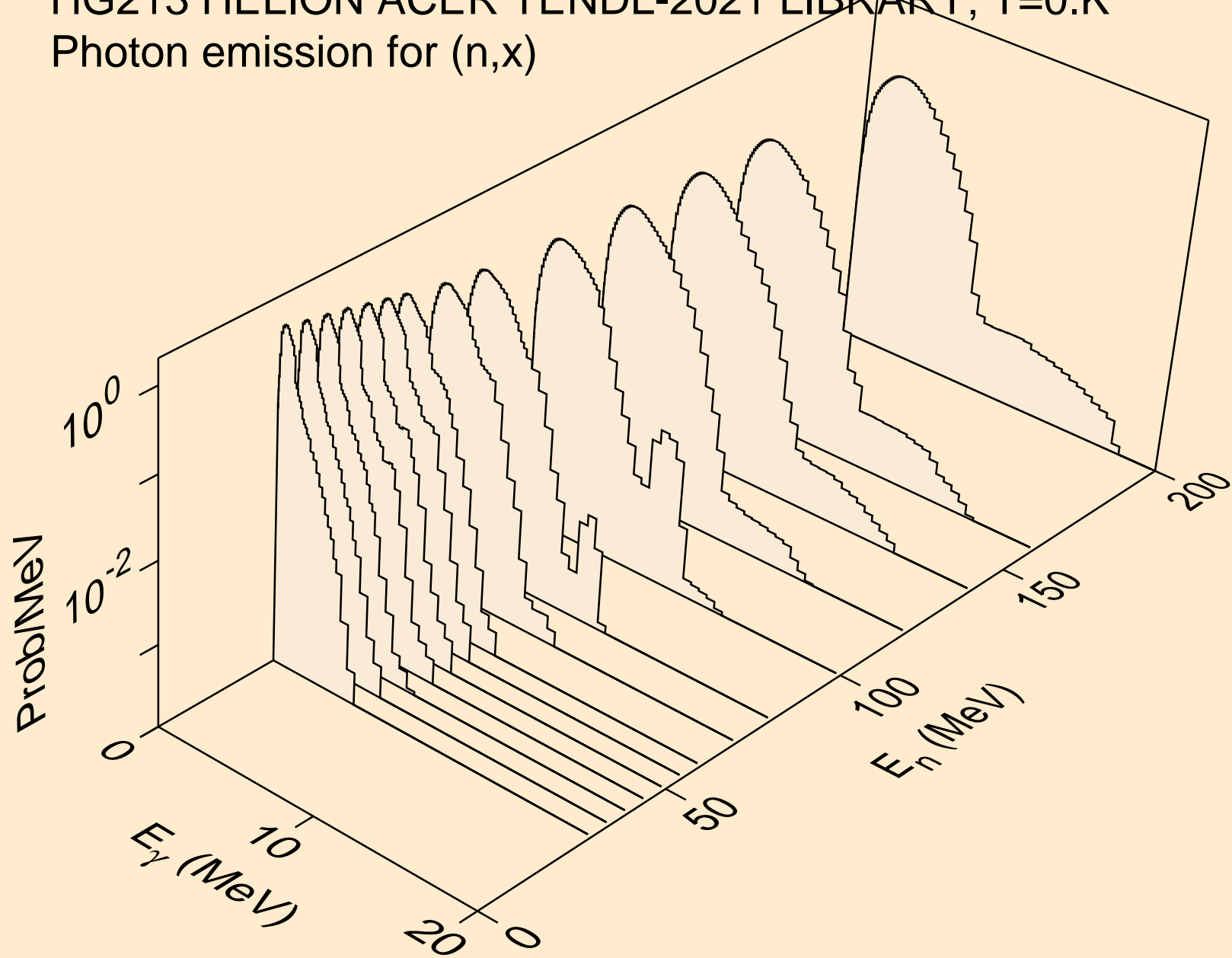
HG213 HELION ACER TENDL-2021 LIBRARY; T=0.K
He-3 emission for inelastic



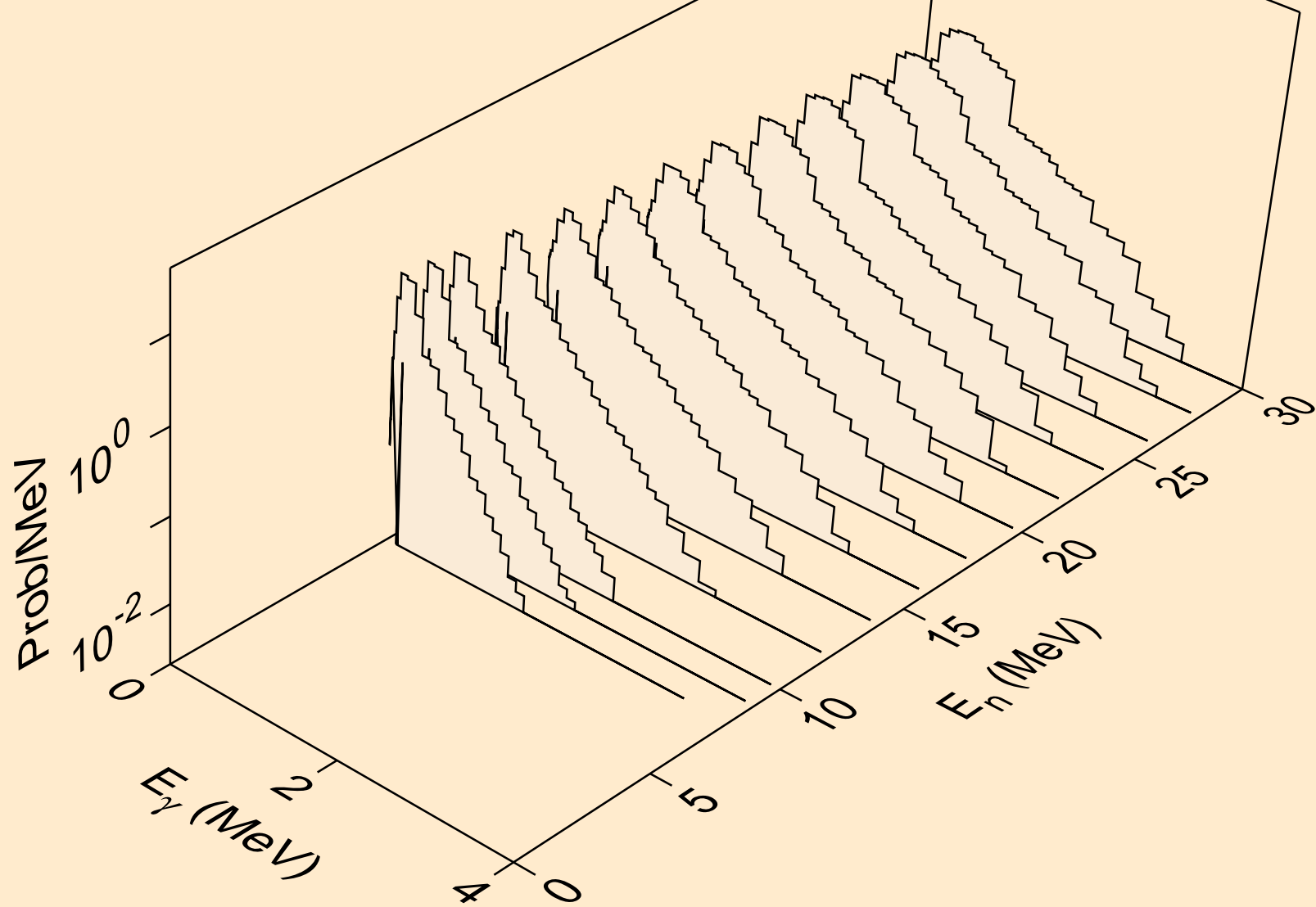
HG213 HELION ACER TENDL-2021 LIBRARY; T=0.K
Photon emission for (z,n)



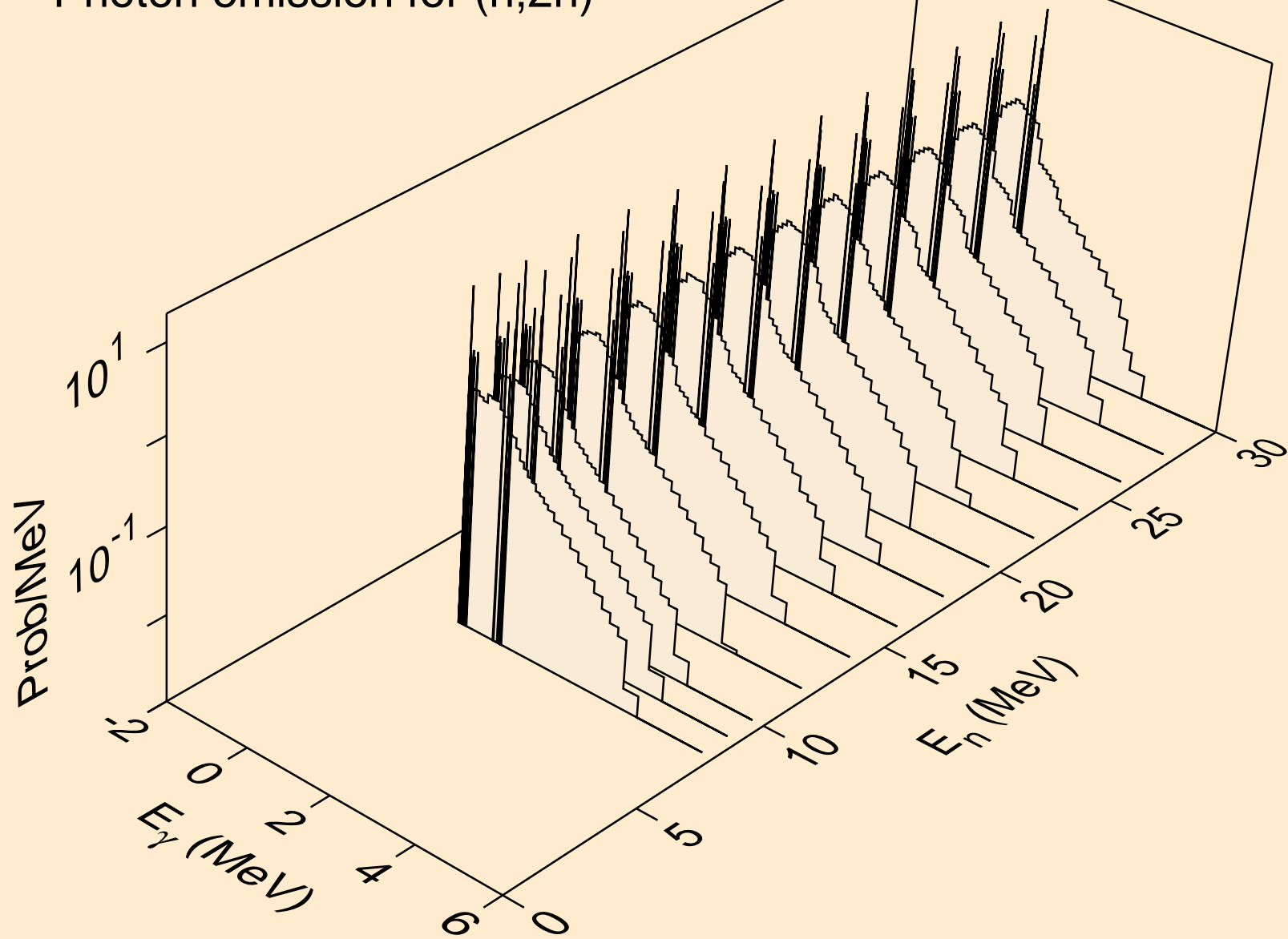
HG213 HELION ACER TENDL-2021 LIBRARY; T=0.K
Photon emission for (n,x)



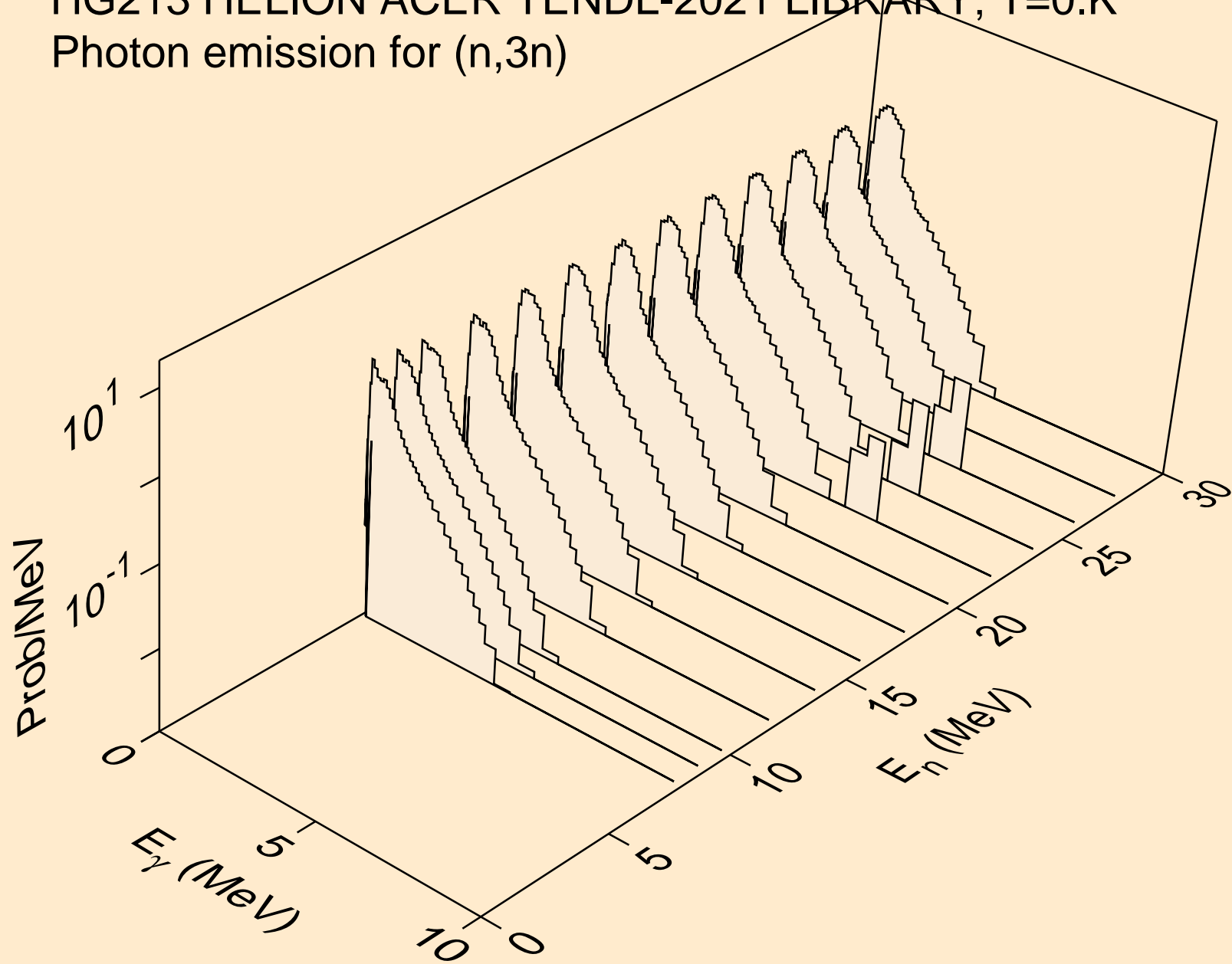
HG213 HELION ACER TENDL-2021 LIBRARY; T=0.K
Photon emission for (n,2nd)



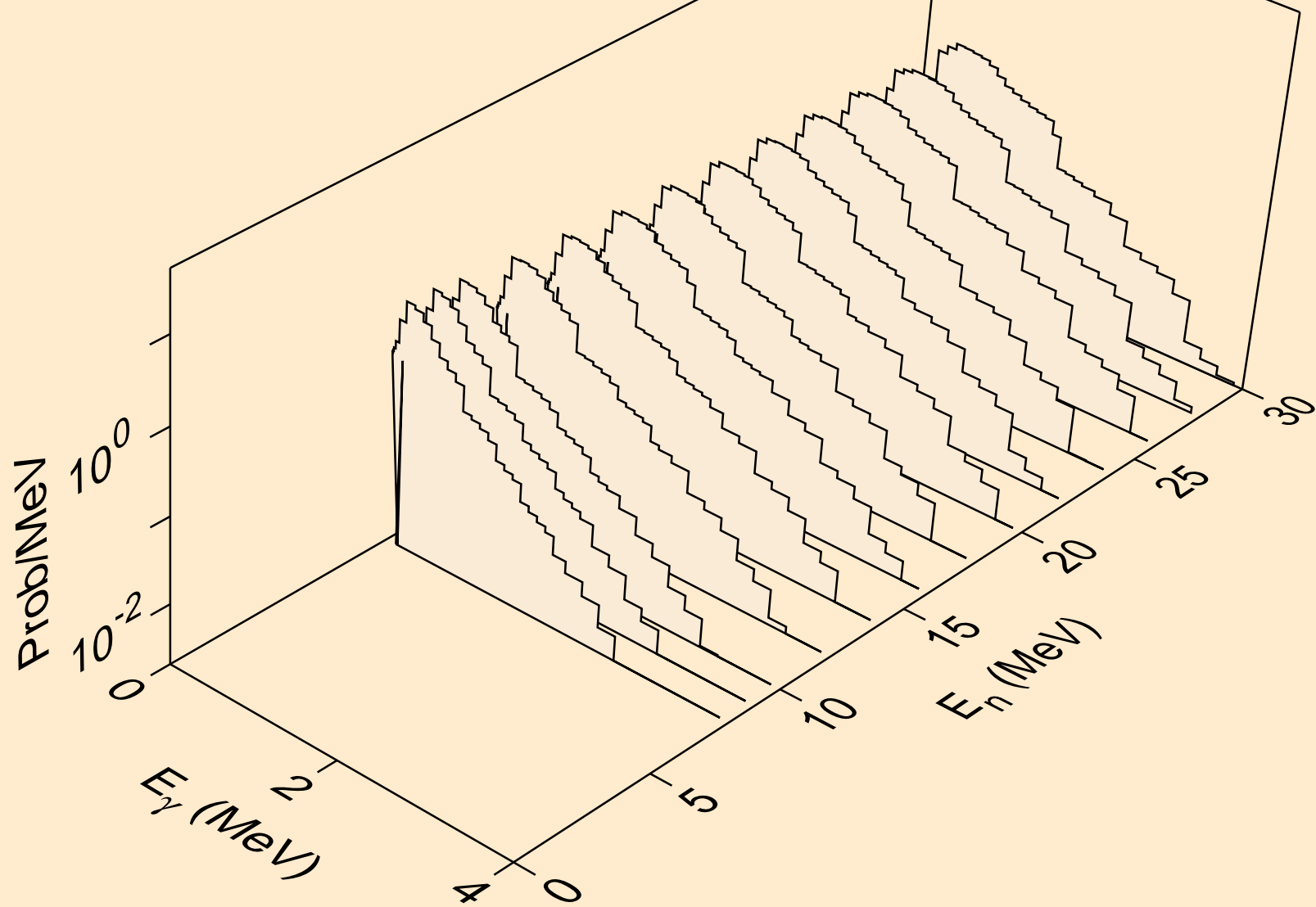
HG213 HELION ACER TENDL-2021 LIBRARY; T=0.K
Photon emission for (n,2n)



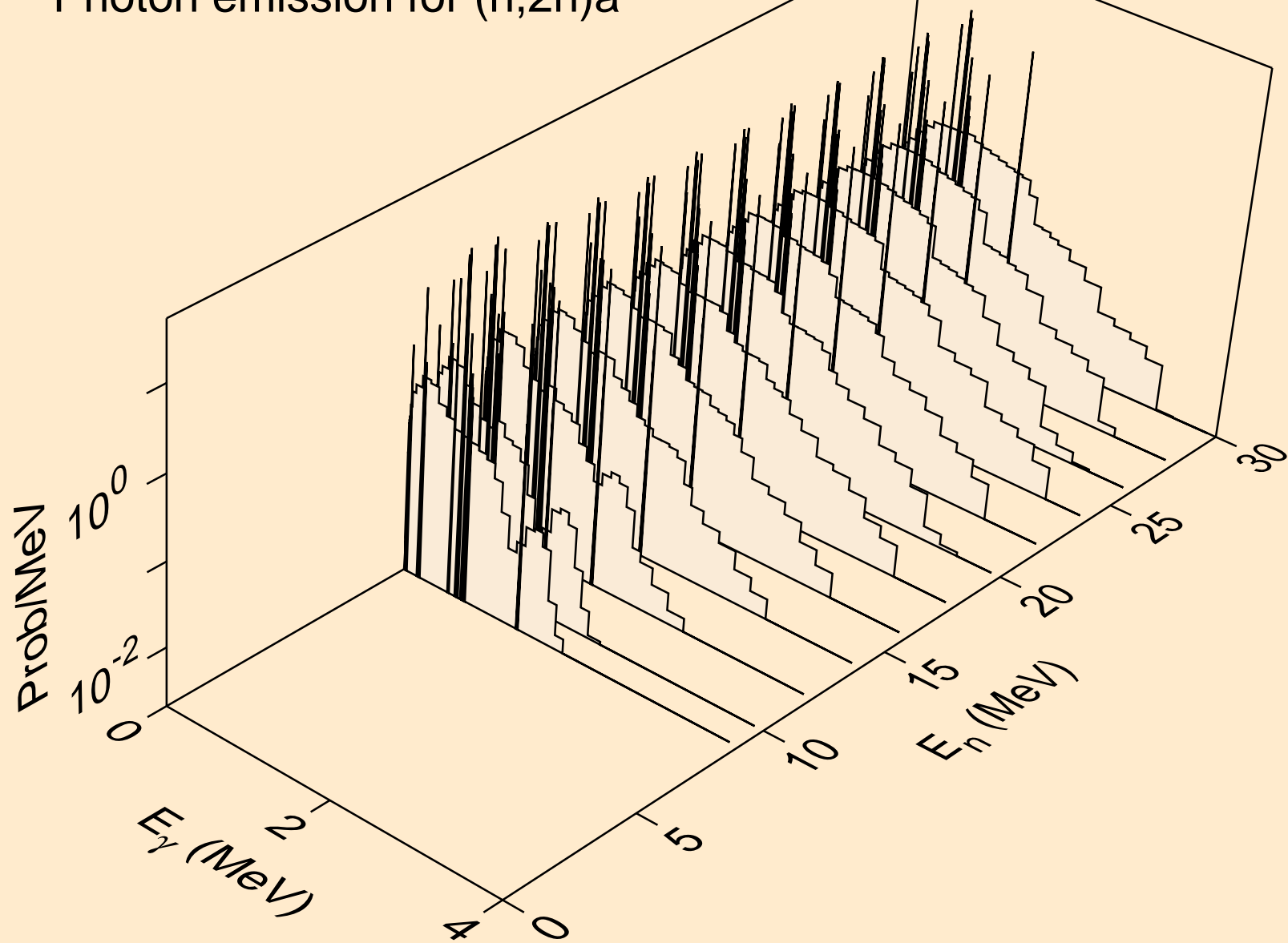
HG213 HELION ACER TENDL-2021 LIBRARY; T=0.K
Photon emission for (n,3n)



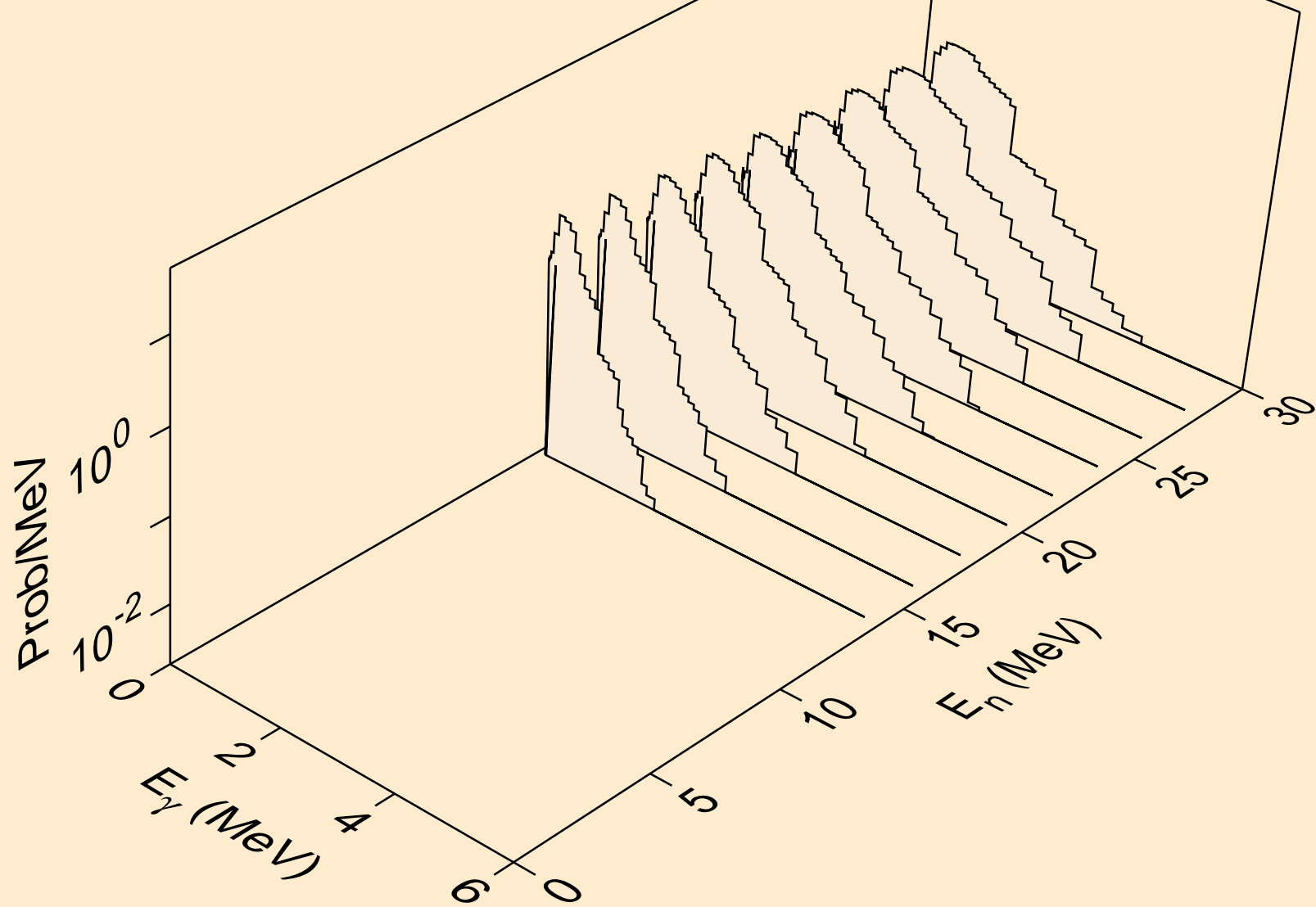
HG213 HELION ACER TENDL-2021 LIBRARY; T=0.K
Photon emission for (n,n*)a



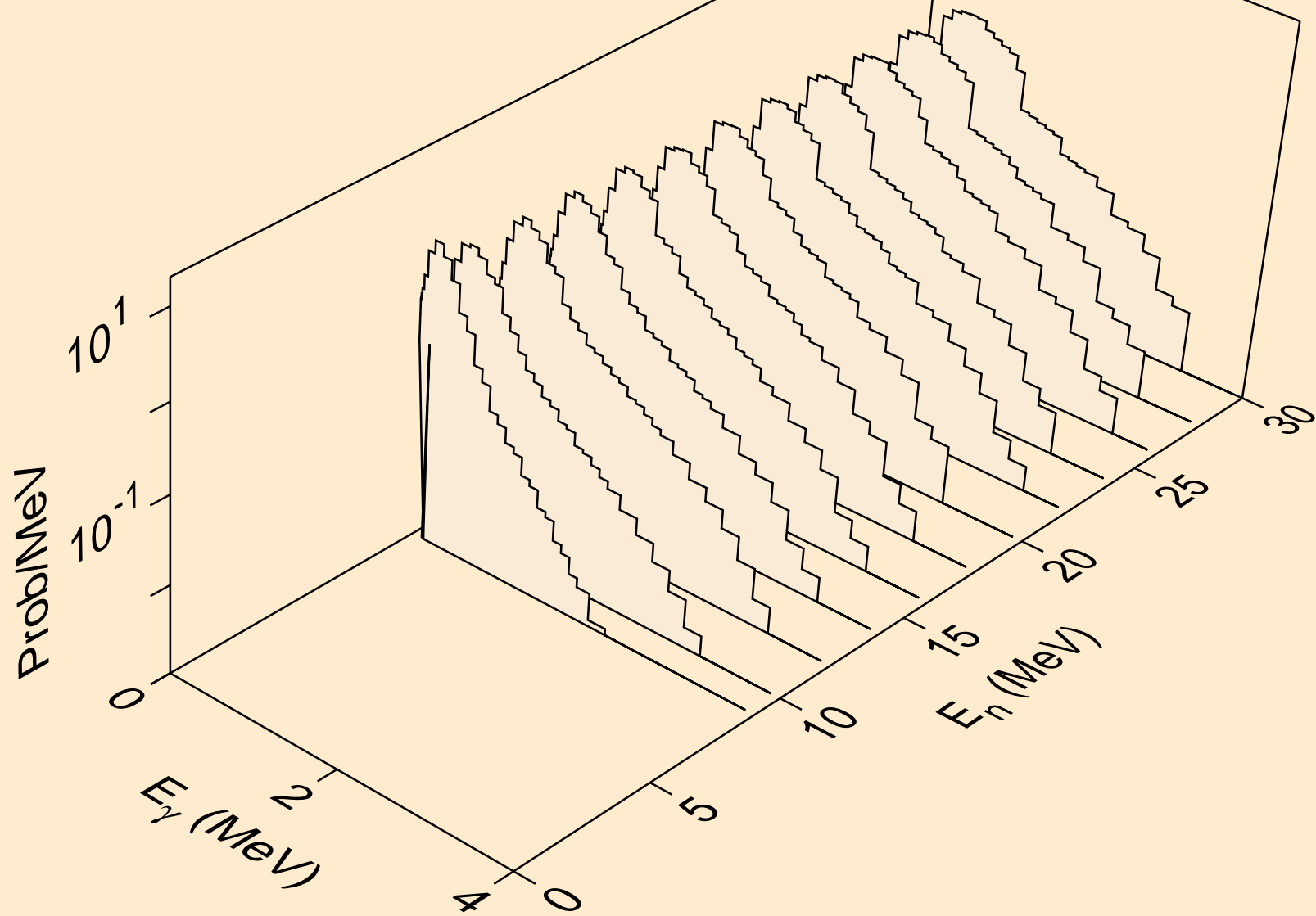
HG213 HELION ACER TENDL-2021 LIBRARY; T=0.K
Photon emission for (n,2n)a



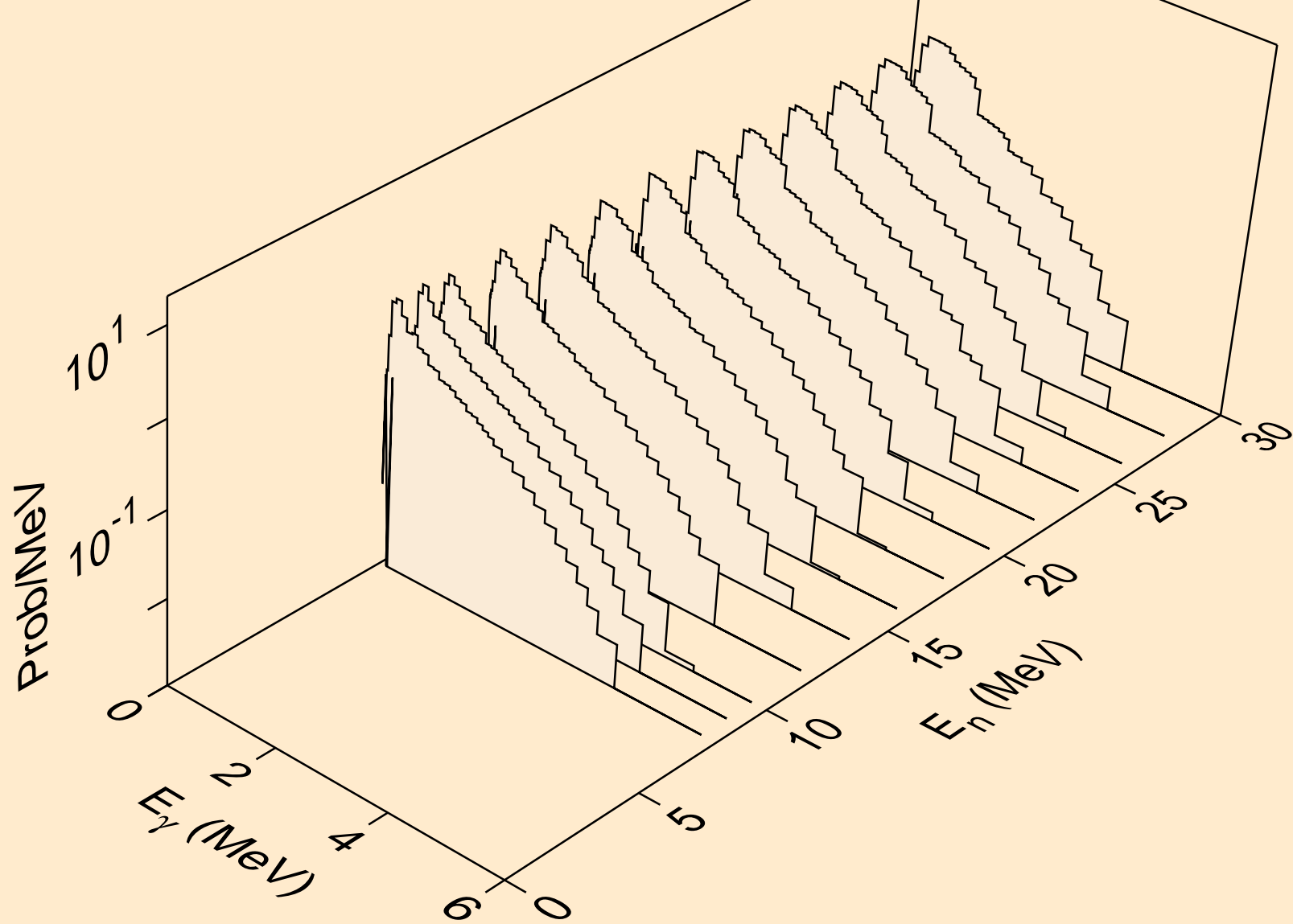
HG213 HELION ACER TENDL-2021 LIBRARY; T=0.K
Photon emission for (n,3n)a



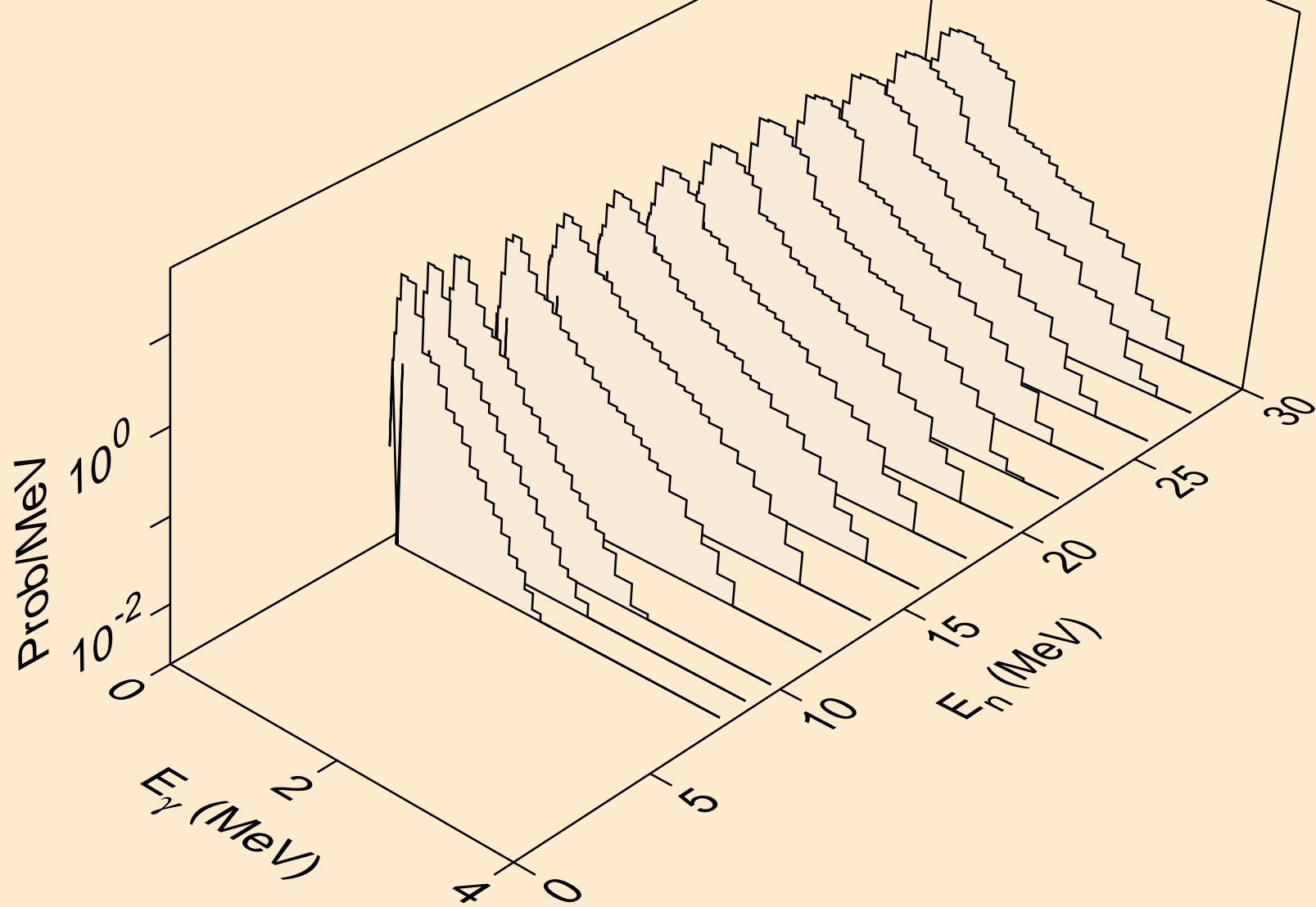
HG213 HELION ACER TENDL-2021 LIBRARY; T=0.K
Photon emission for (n,n*)p



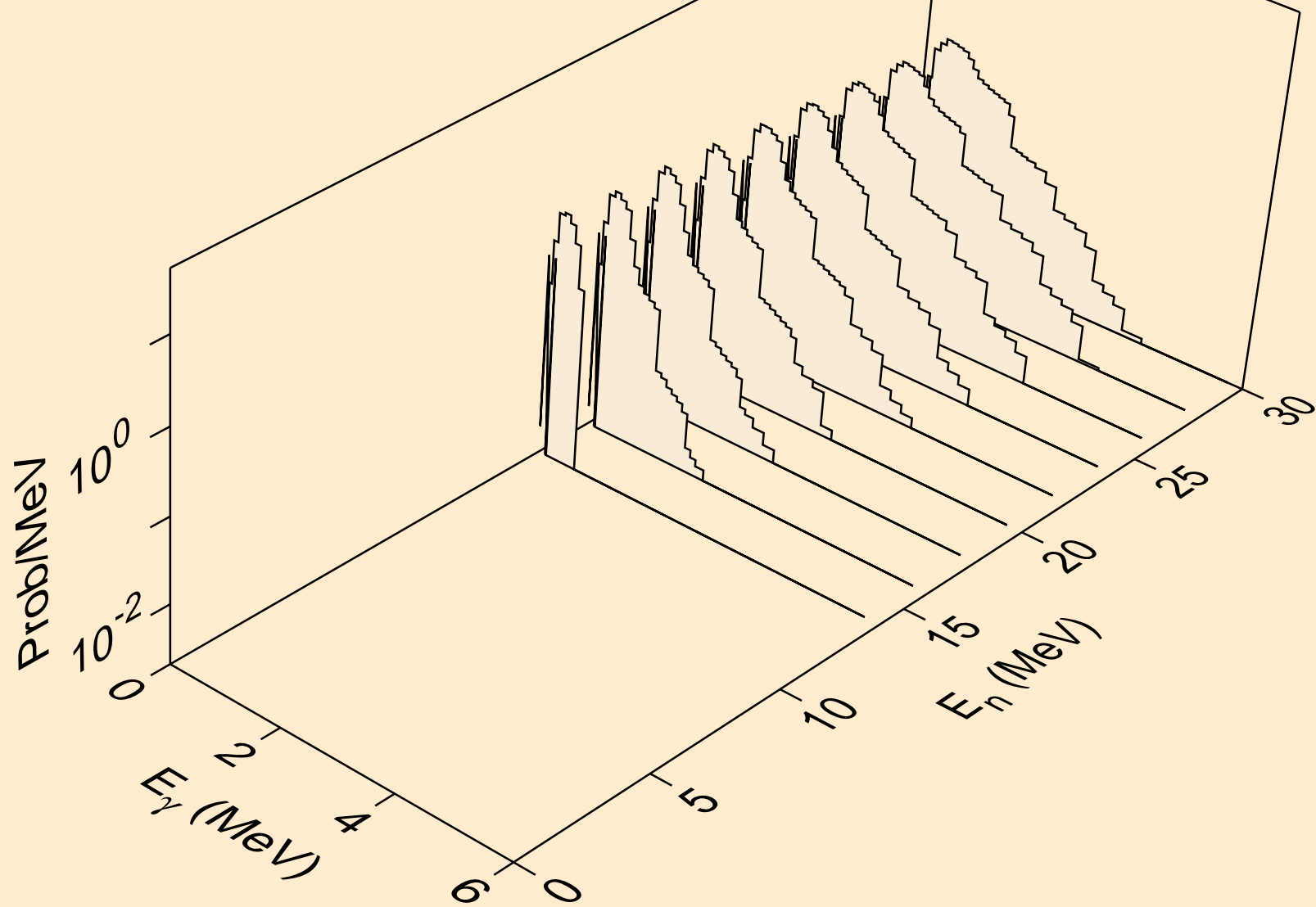
HG213 HELION ACER TENDL-2021 LIBRARY; T=0.K
Photon emission for (n,n*)d



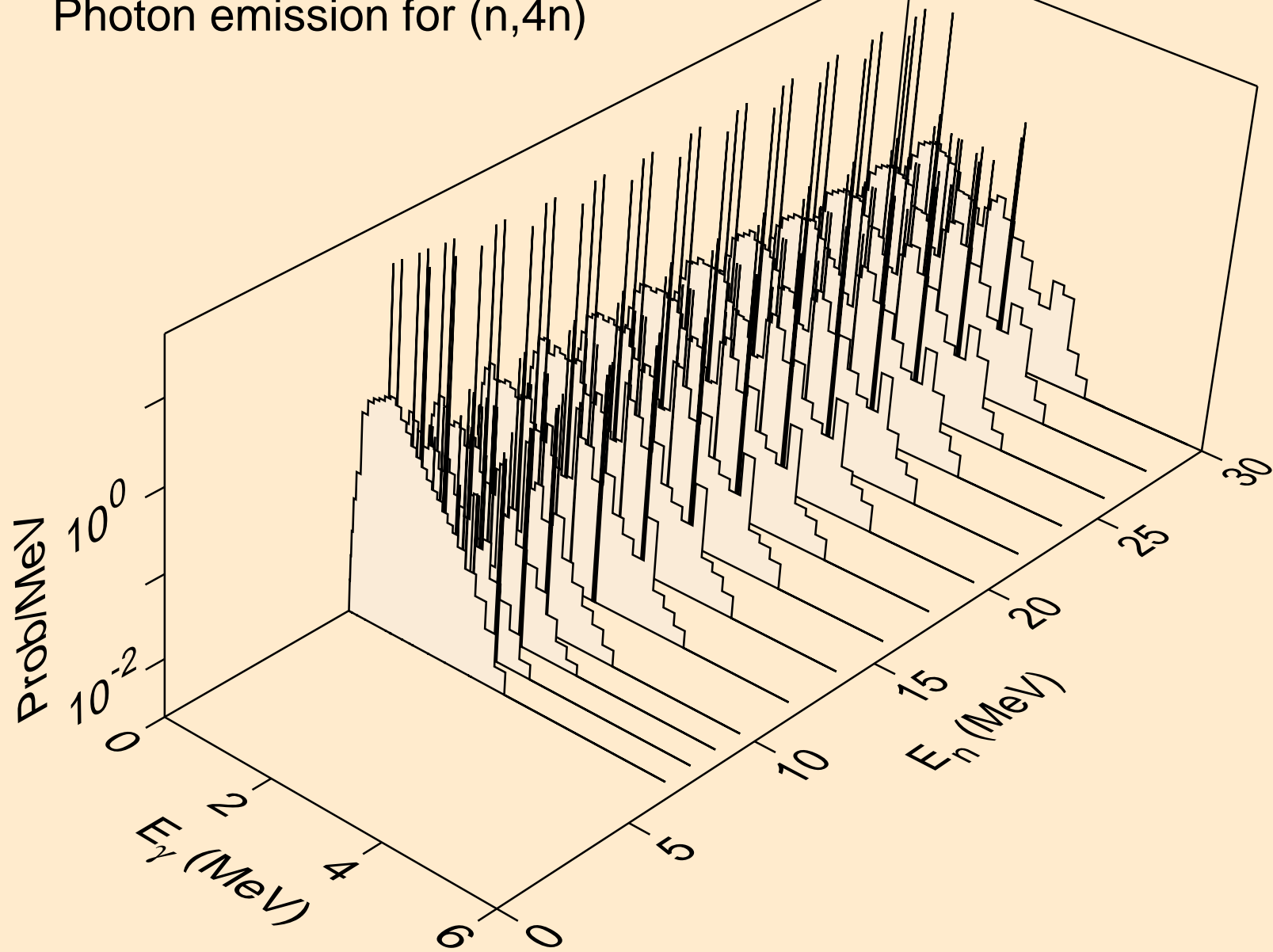
HG213 HELION ACER TENDL-2021 LIBRARY; T=0.K
Photon emission for (n,n*)t



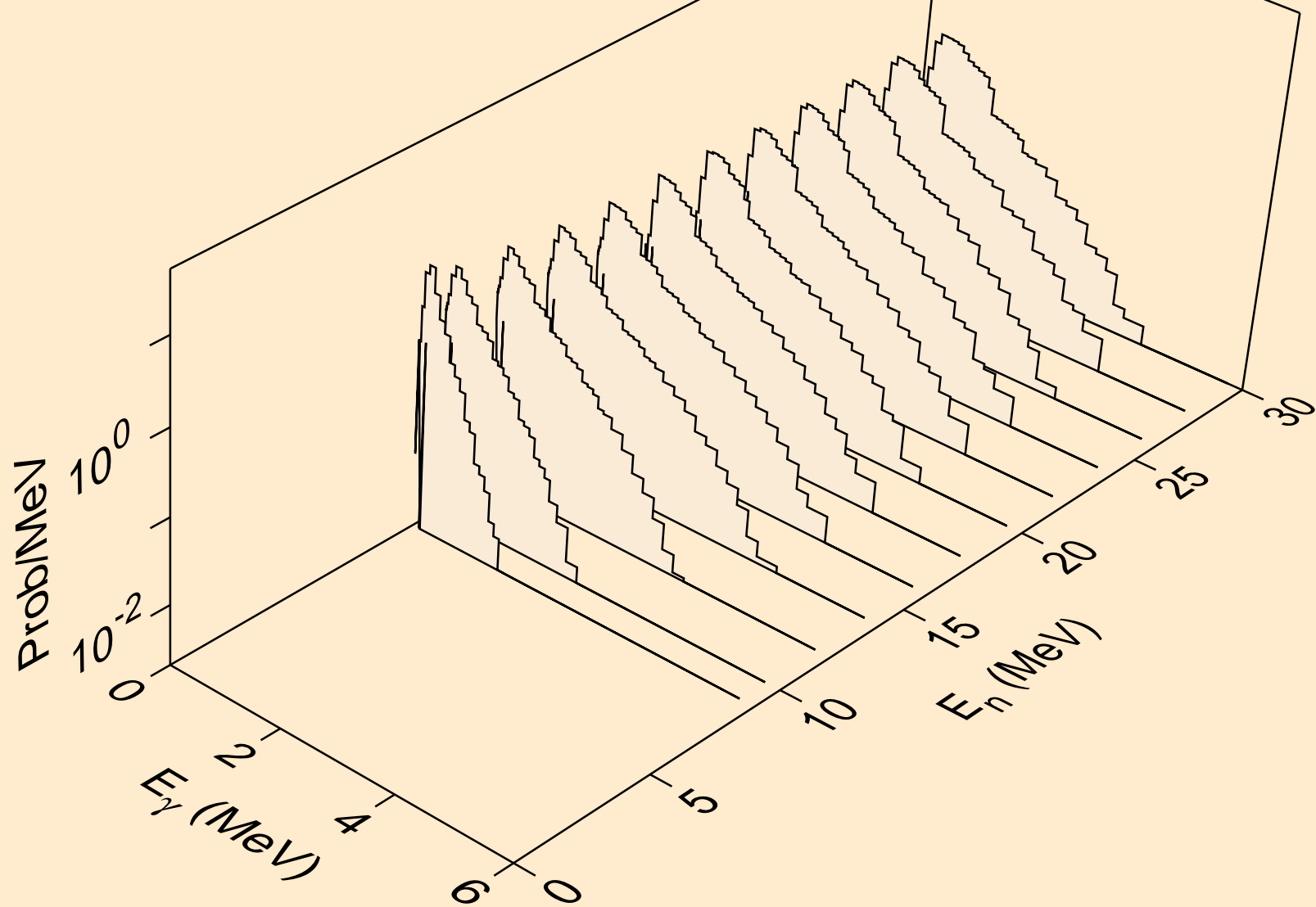
HG213 HELION ACER TENDL-2021 LIBRARY; T=0.K
Photon emission for (n,n*)he3



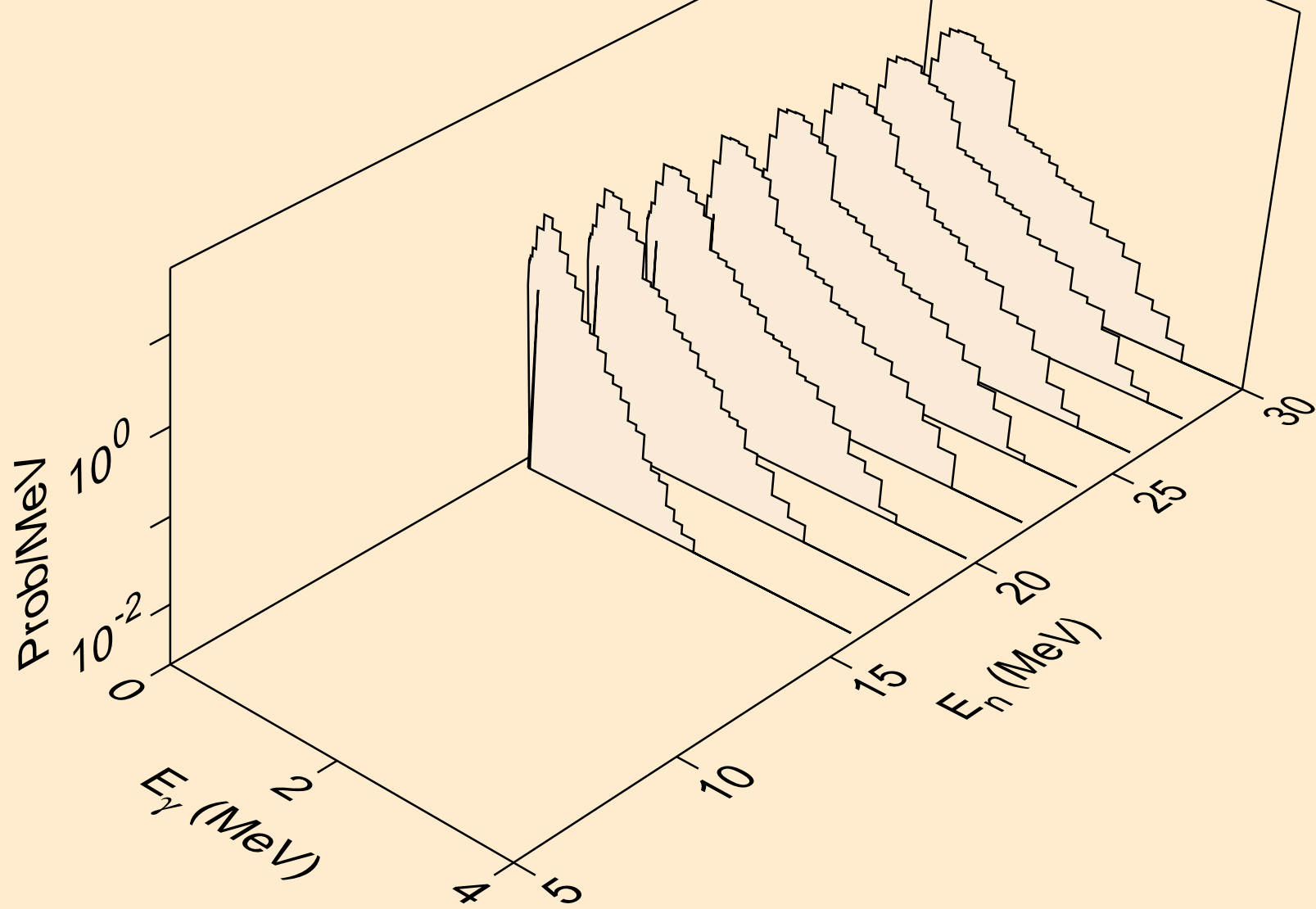
HG213 HELION ACER TENDL-2021 LIBRARY; T=0.K
Photon emission for (n,4n)



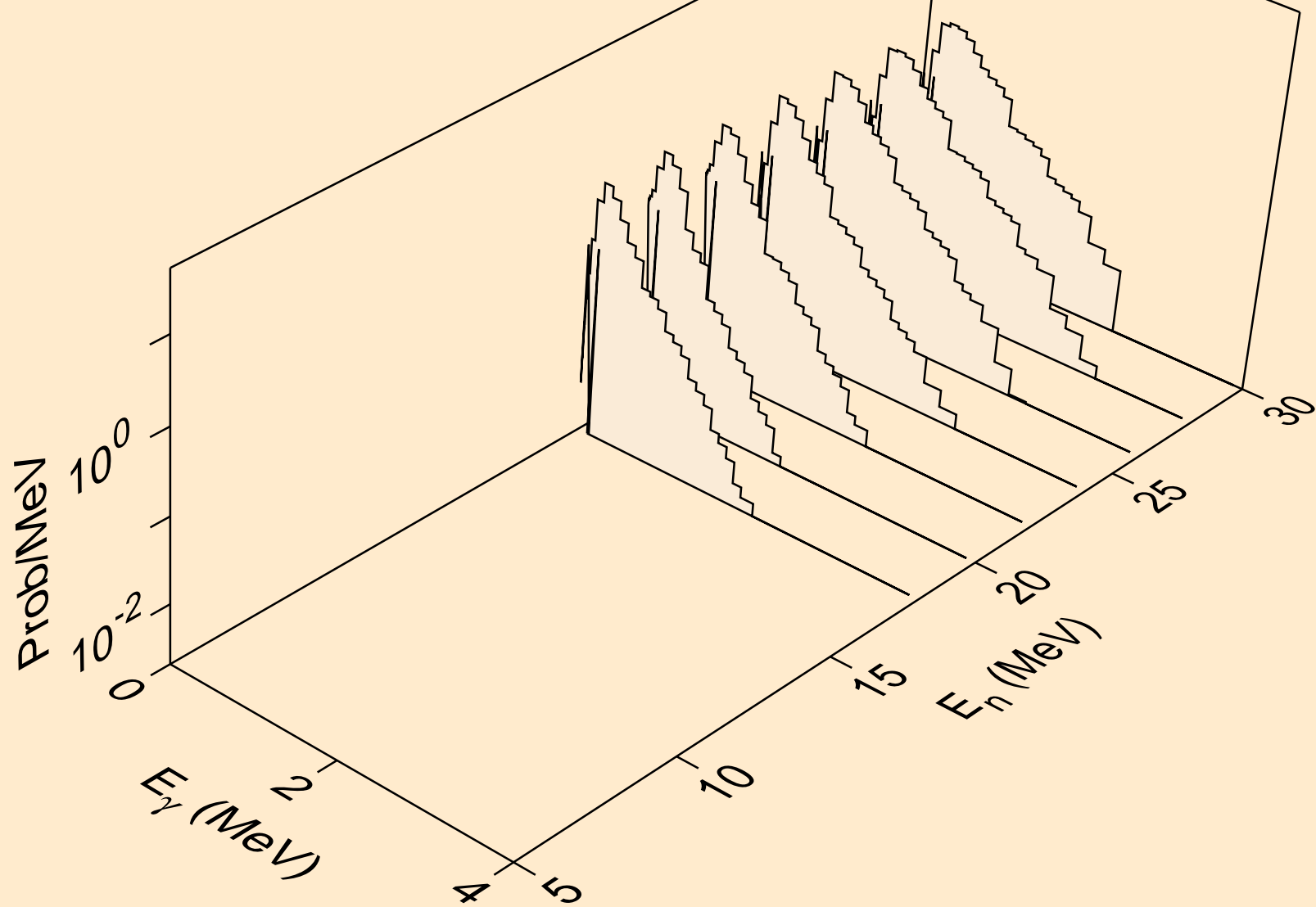
HG213 HELION ACER TENDL-2021 LIBRARY; T=0.K
Photon emission for (n,2np)



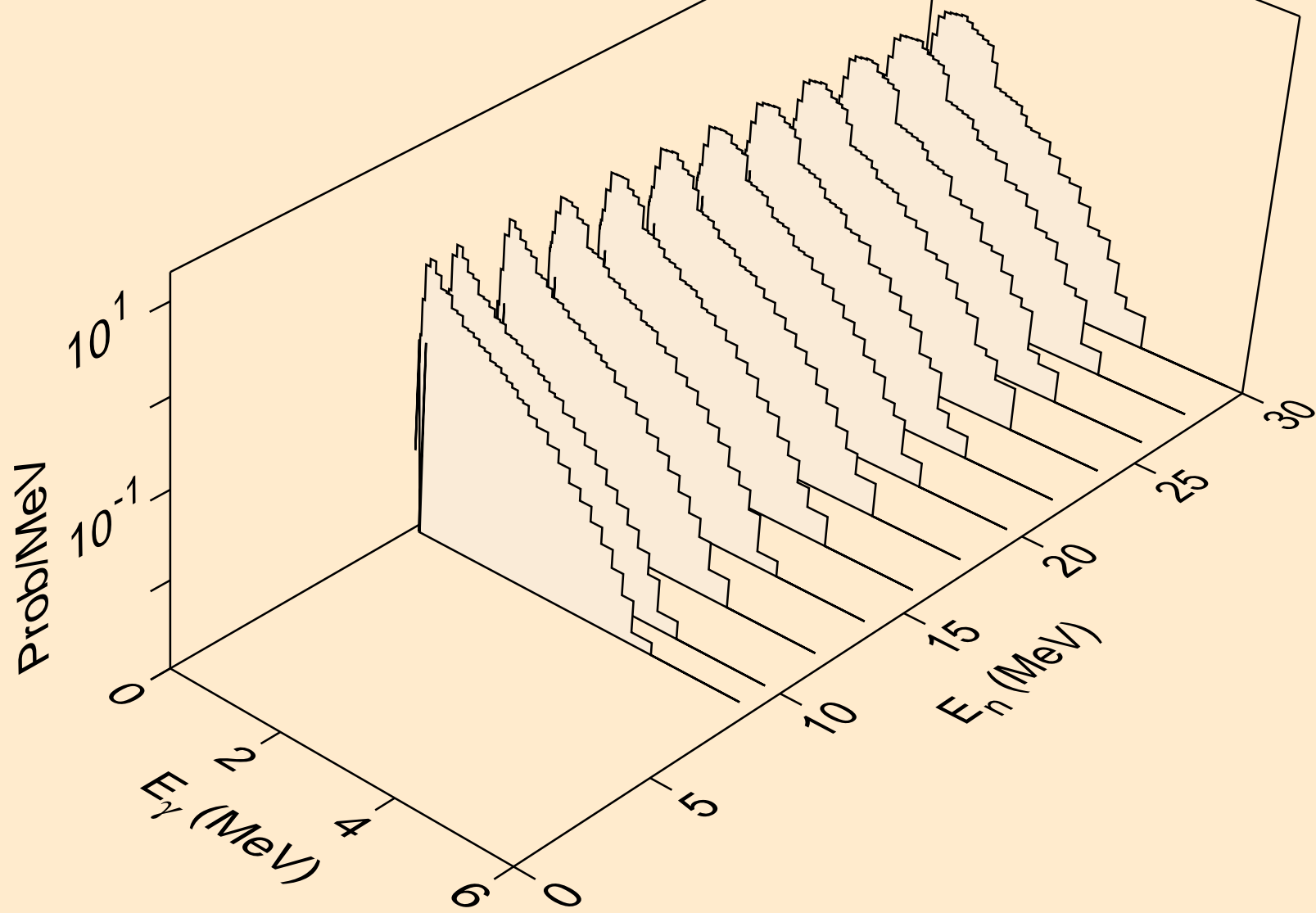
HG213 HELION ACER TENDL-2021 LIBRARY; T=0.K
Photon emission for (n,3np)



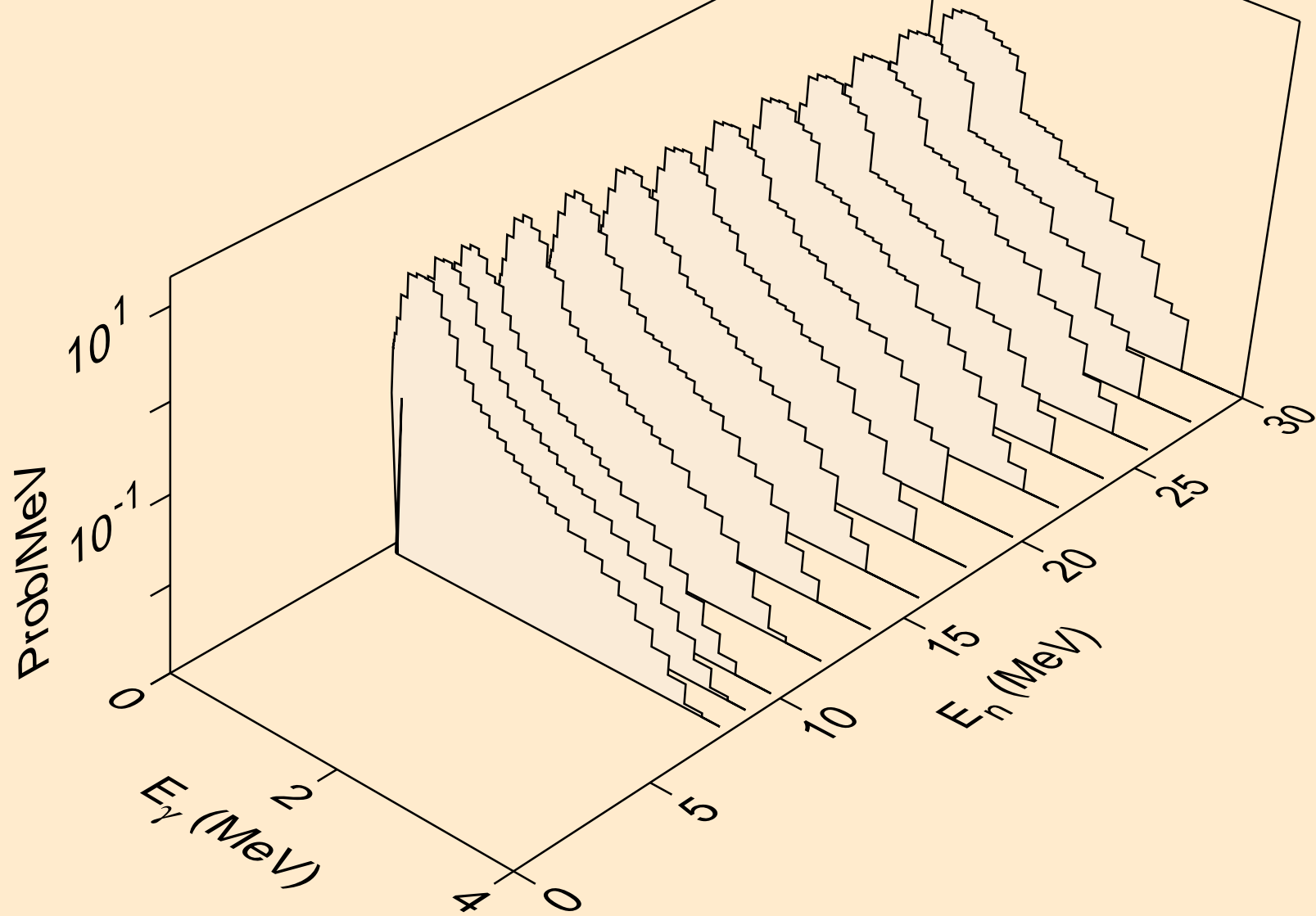
HG213 HELION ACER TENDL-2021 LIBRARY; T=0.K
Photon emission for (n,2np)



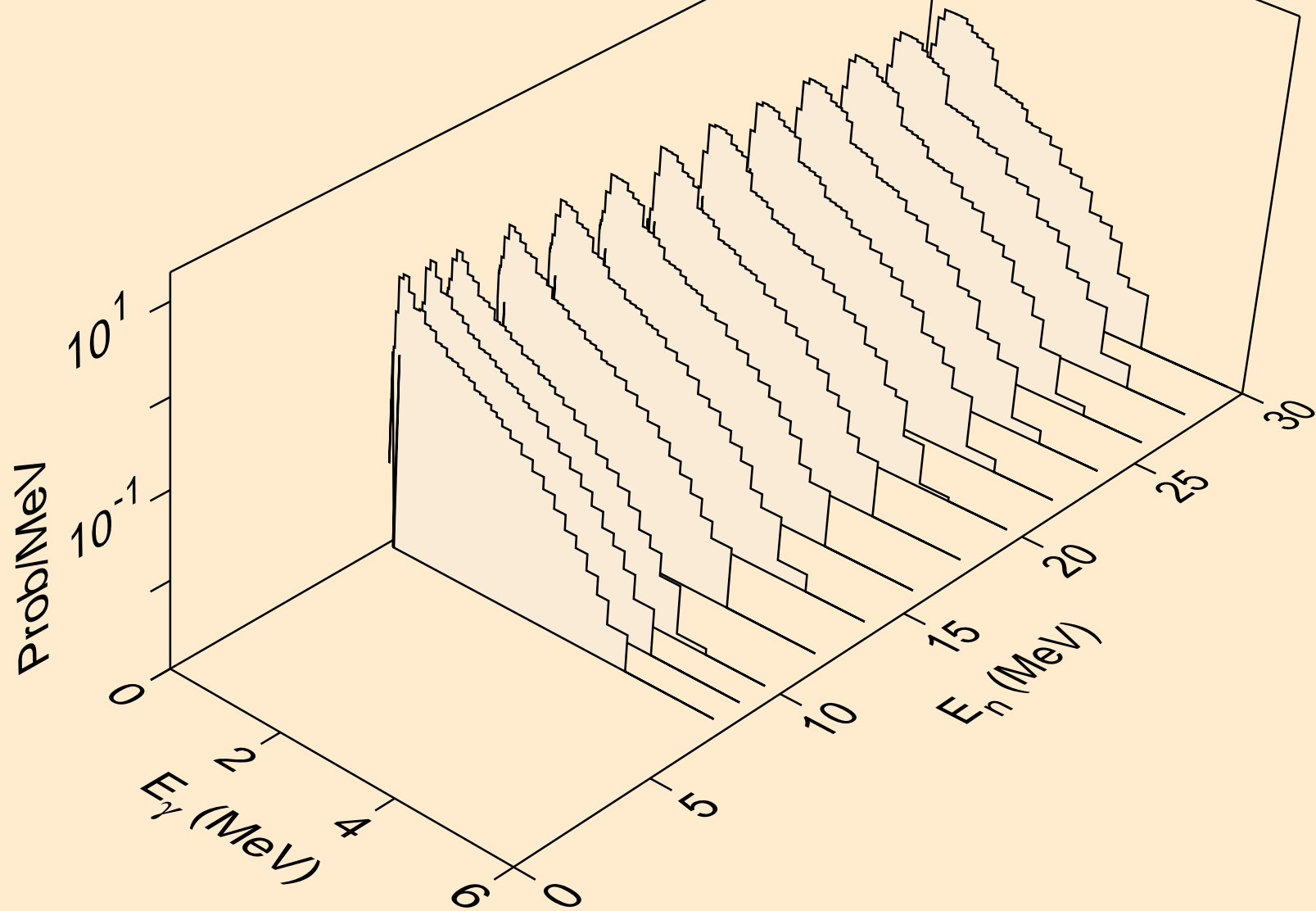
HG213 HELION ACER TENDL-2021 LIBRARY; T=0.K
Photon emission for (n,p)



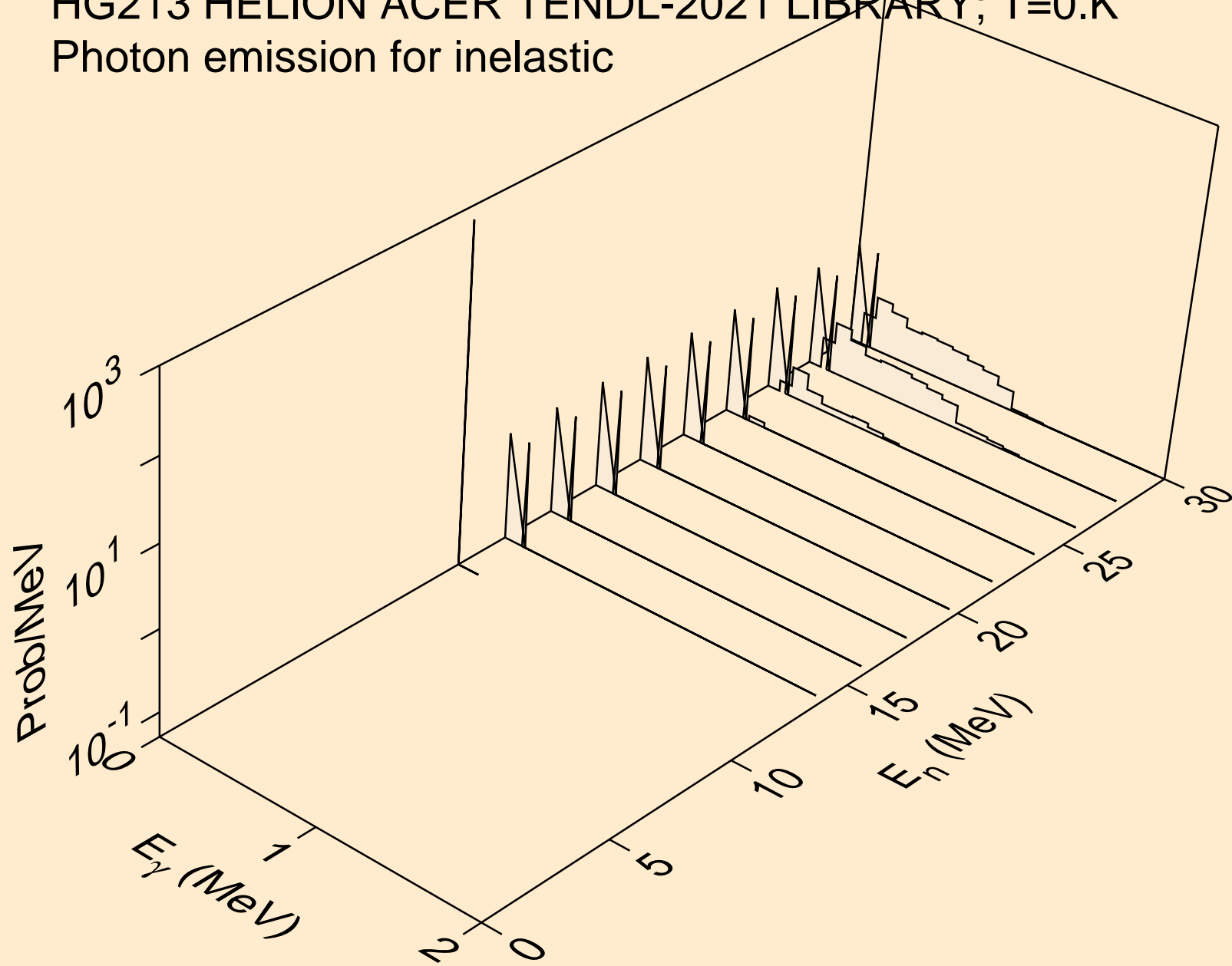
HG213 HELION ACER TENDL-2021 LIBRARY; T=0.K
Photon emission for (n,d)



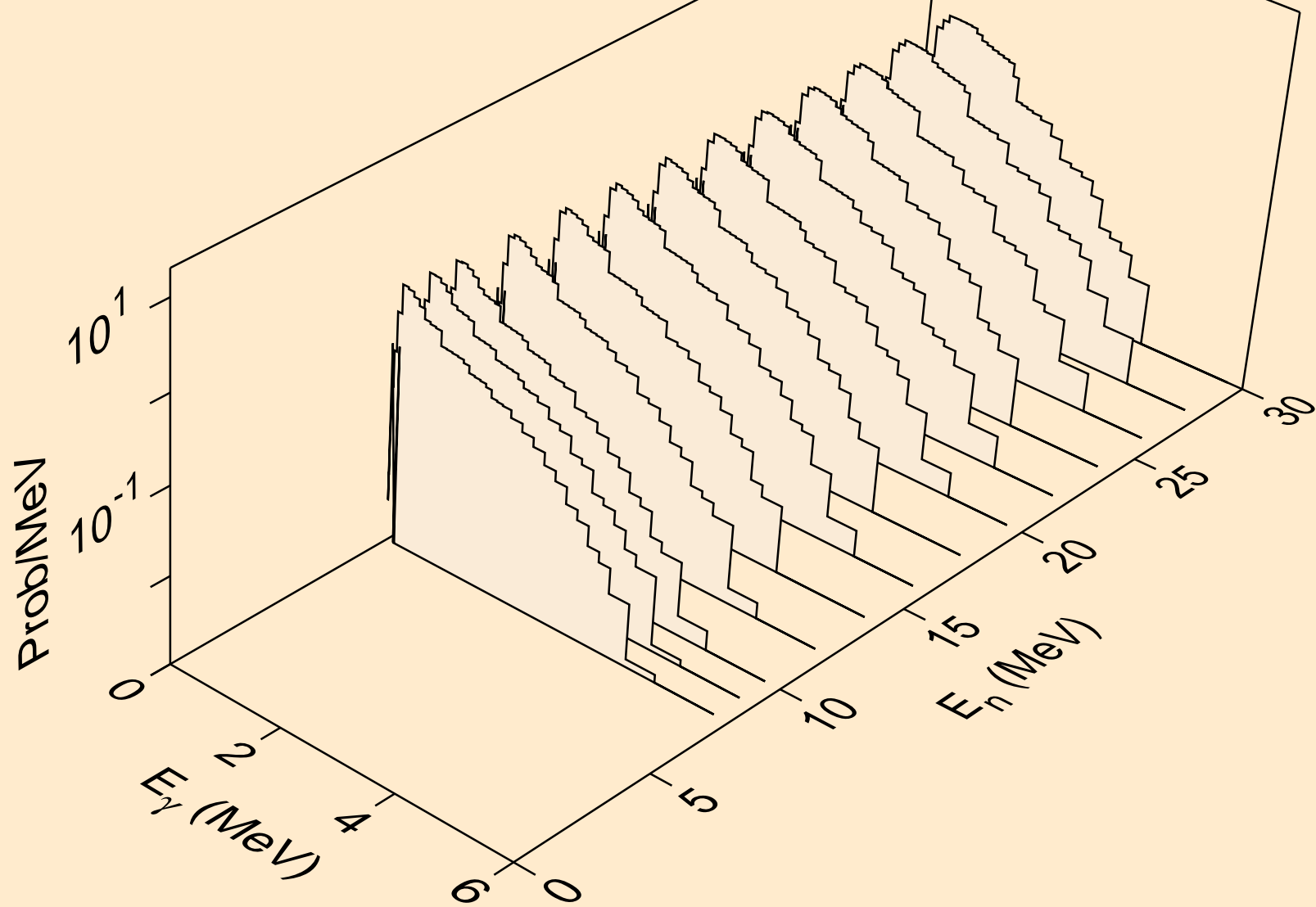
HG213 HELION ACER TENDL-2021 LIBRARY; T=0.K
Photon emission for (n,t)



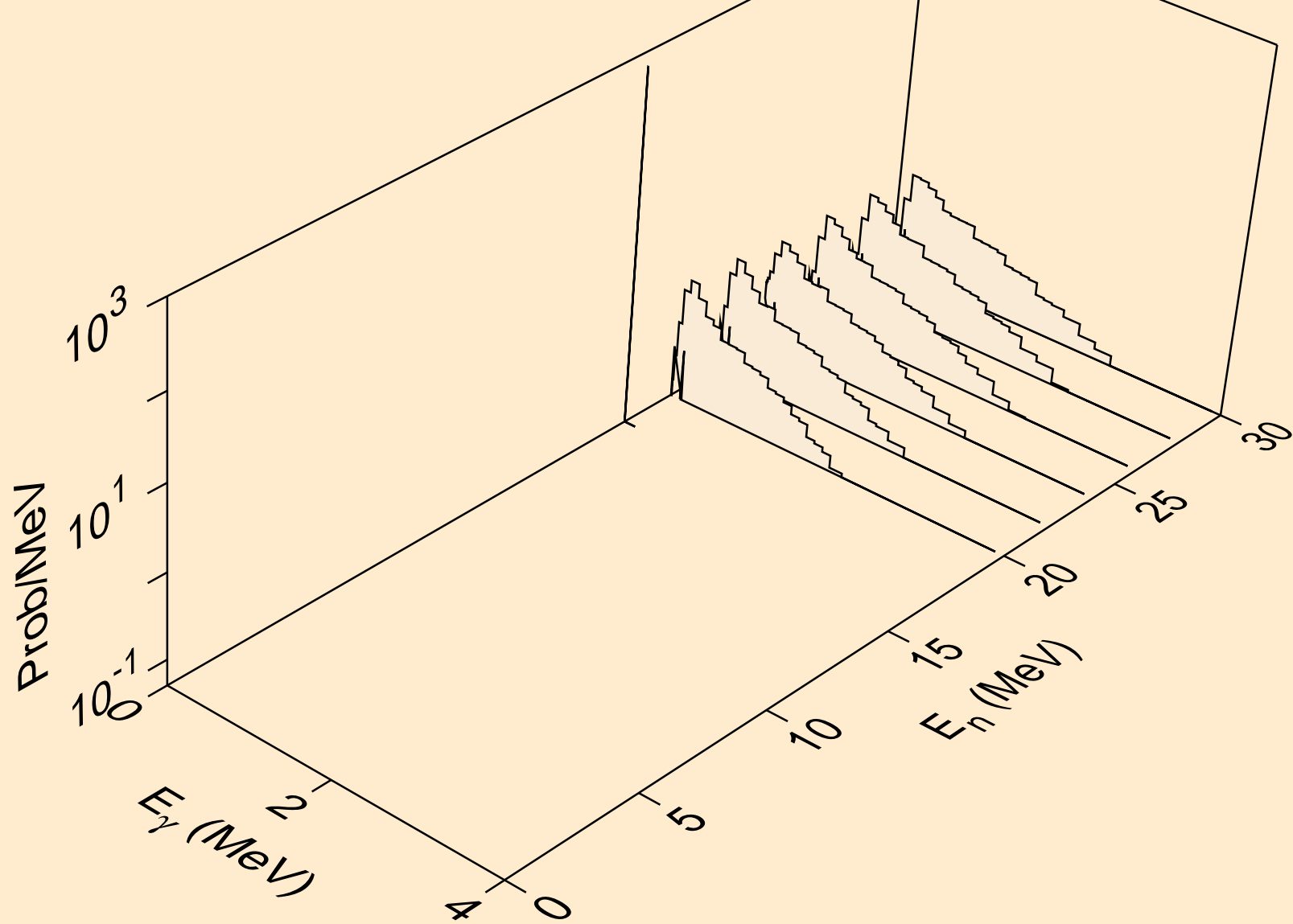
HG213 HELION ACER TENDL-2021 LIBRARY; T=0.K
Photon emission for inelastic



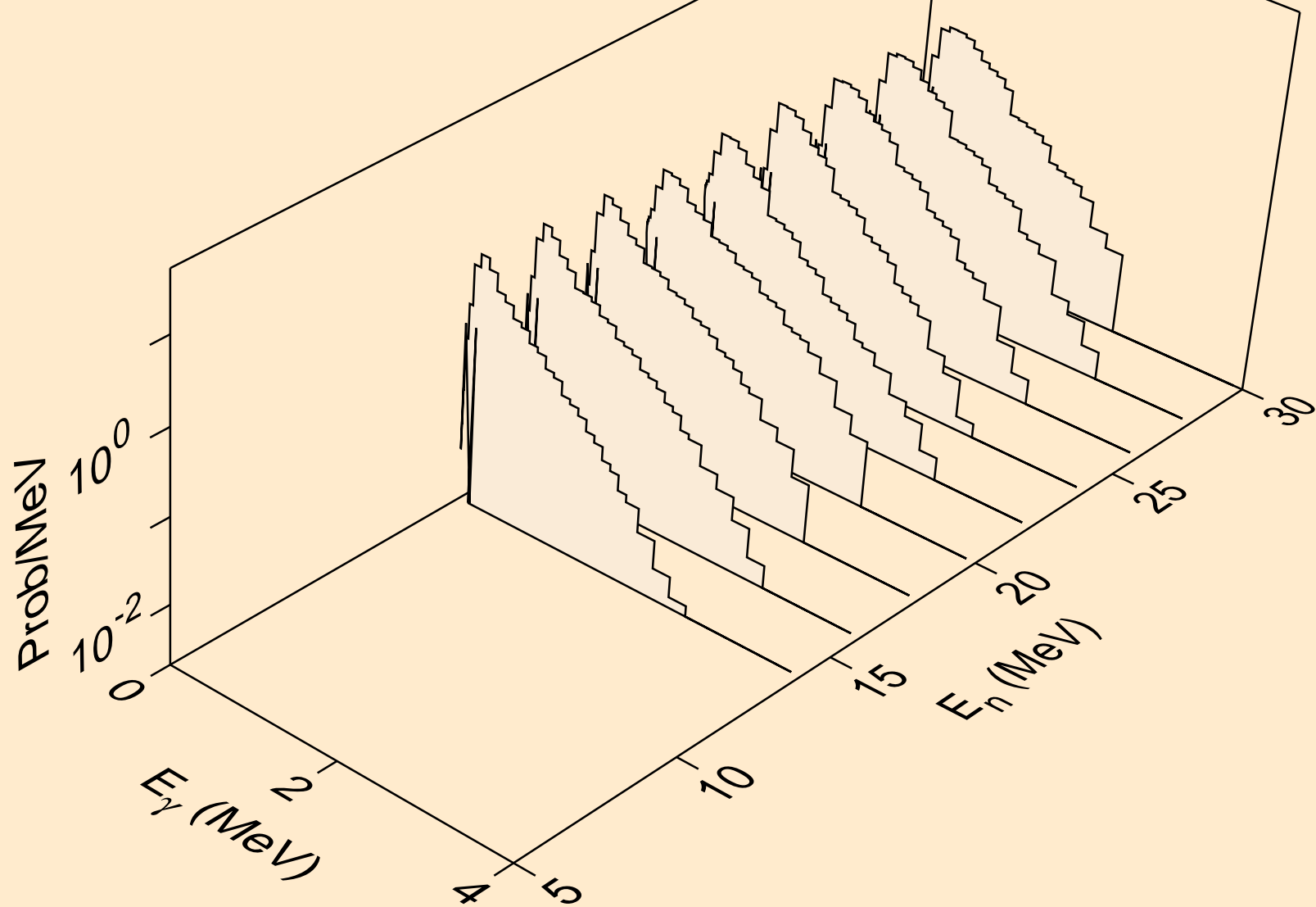
HG213 HELION ACER TENDL-2021 LIBRARY; T=0.K
Photon emission for (n,a)



HG213 HELION ACER TENDL-2021 LIBRARY; T=0.K
Photon emission for (n,2p)

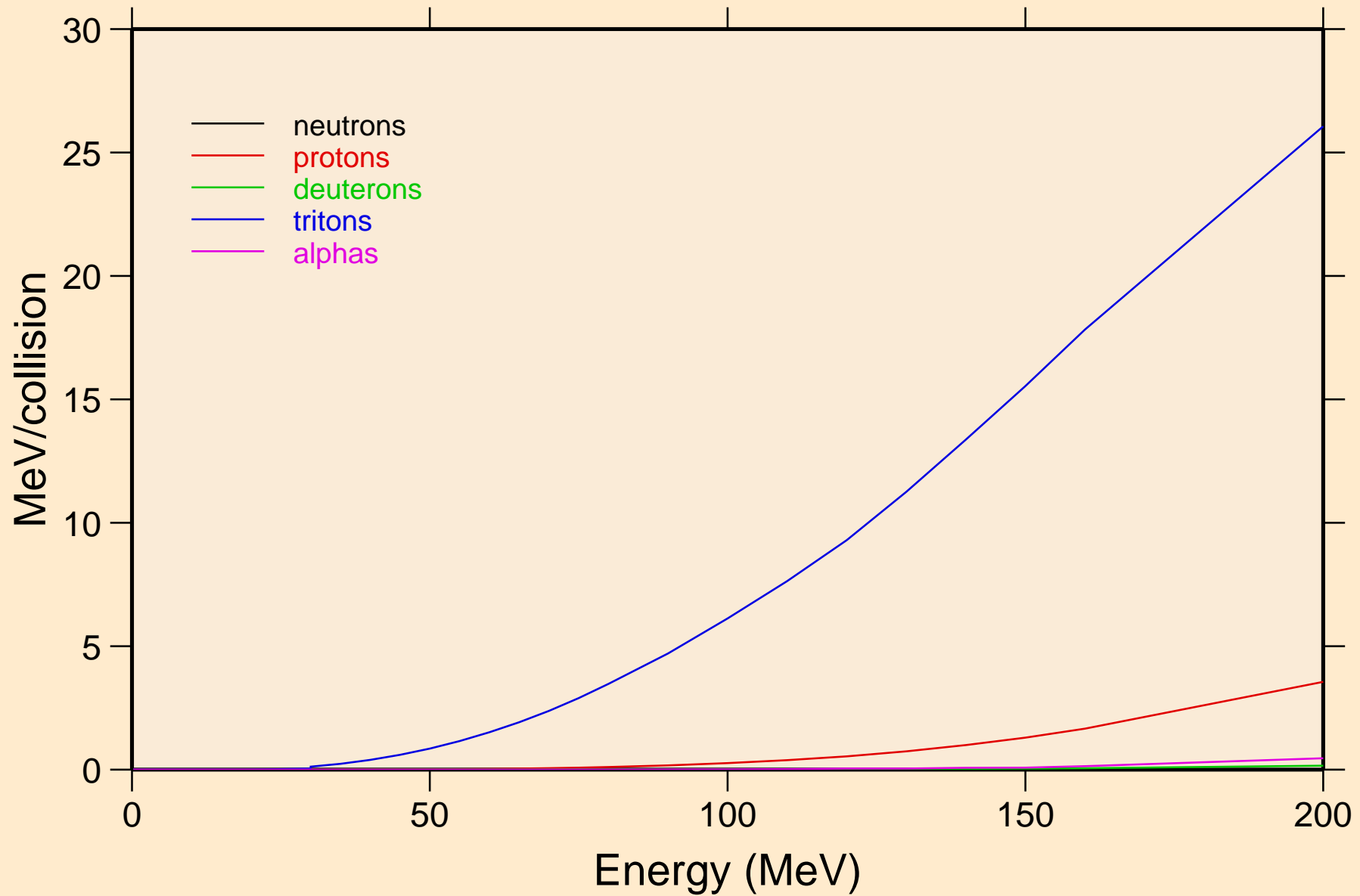


HG213 HELION ACER TENDL-2021 LIBRARY; T=0.K
Photon emission for (n,pd)

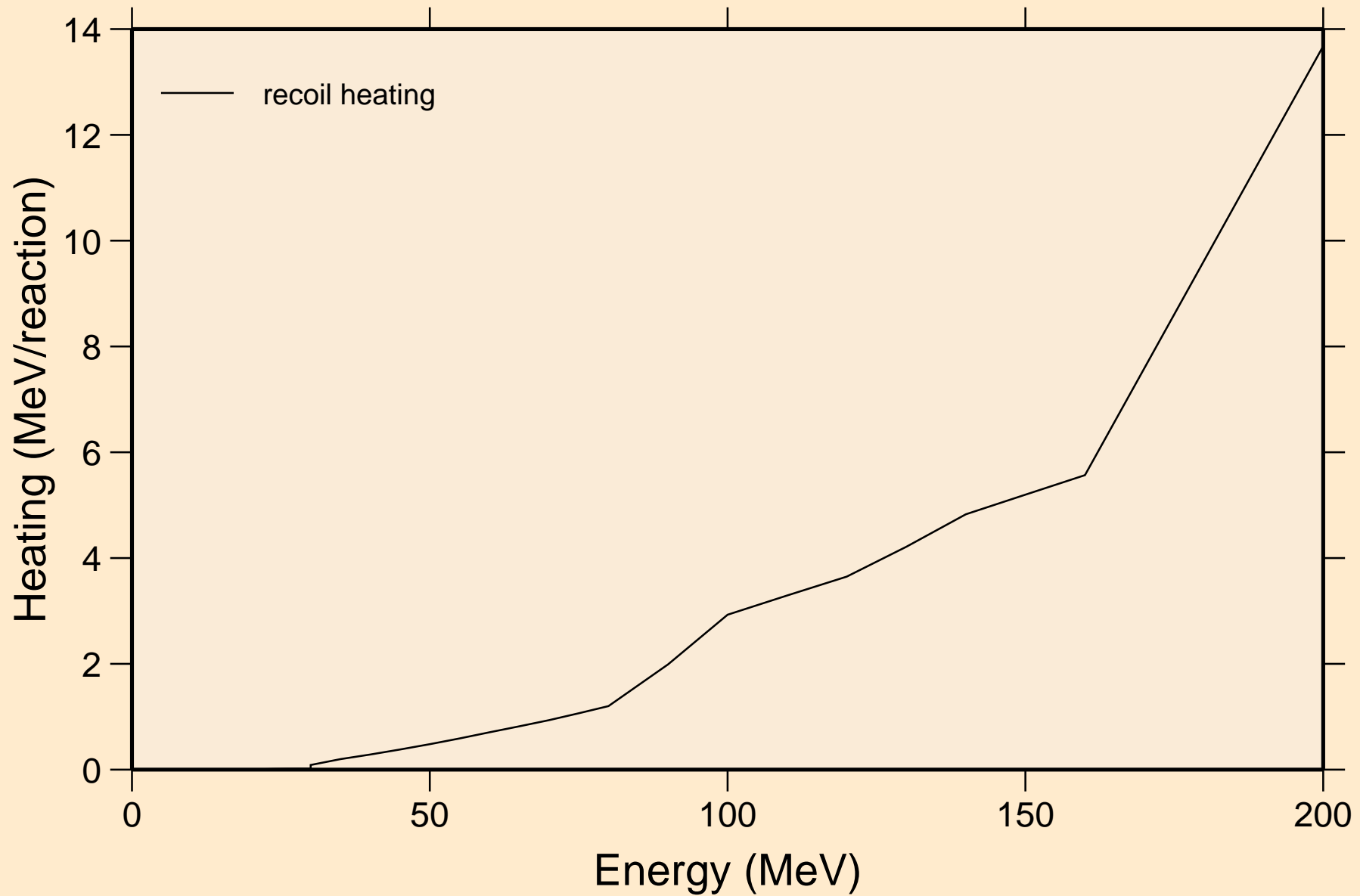


HG213 HELION ACER TENDL-2021 LIBRARY; T=0.K

Particle heating contributions

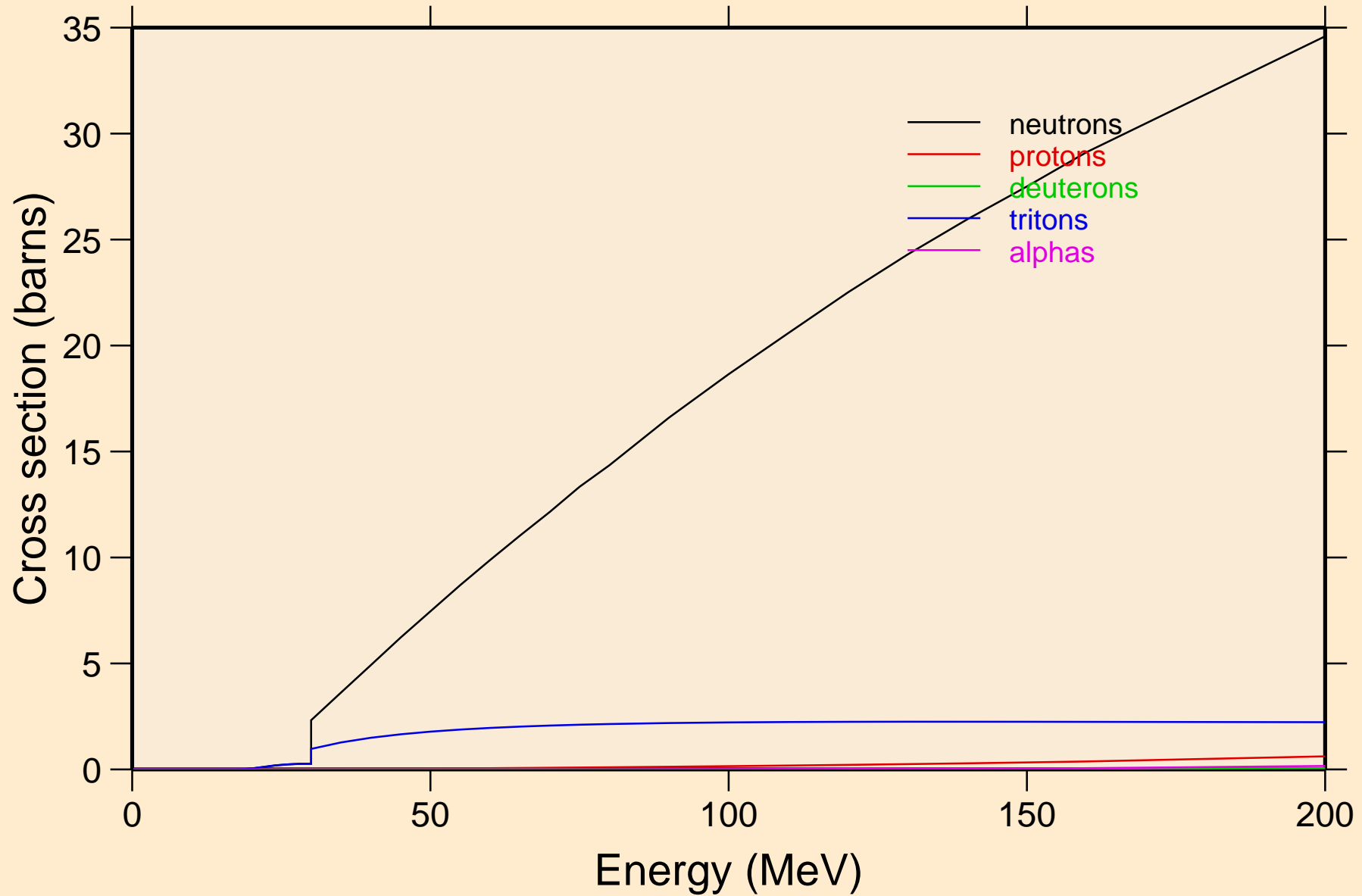


HG213 HELION ACER TENDL-2021 LIBRARY; T=0.K
Recoil Heating

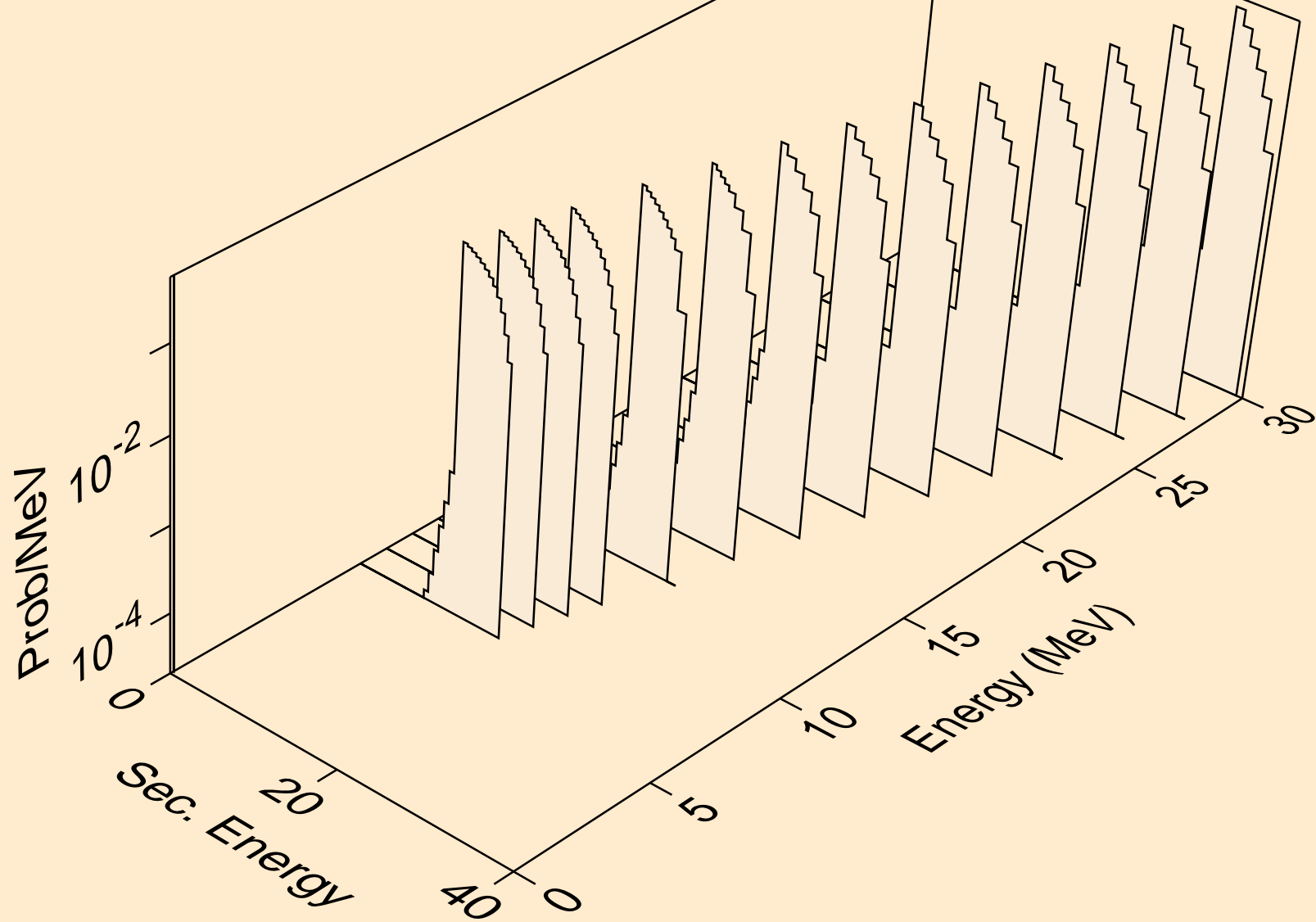


HG213 HELION ACER TENDL-2021 LIBRARY; T=0.K

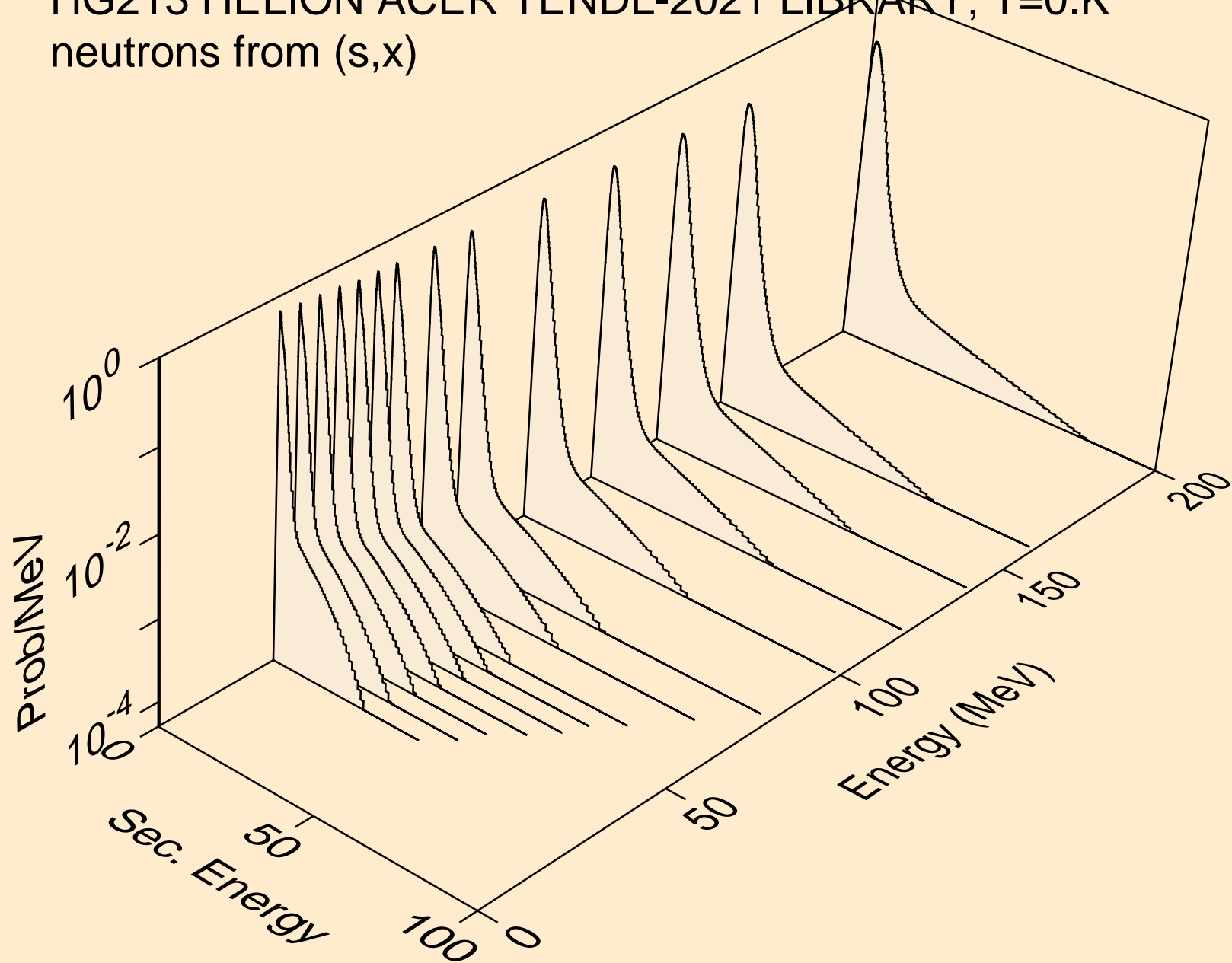
Particle production cross sections



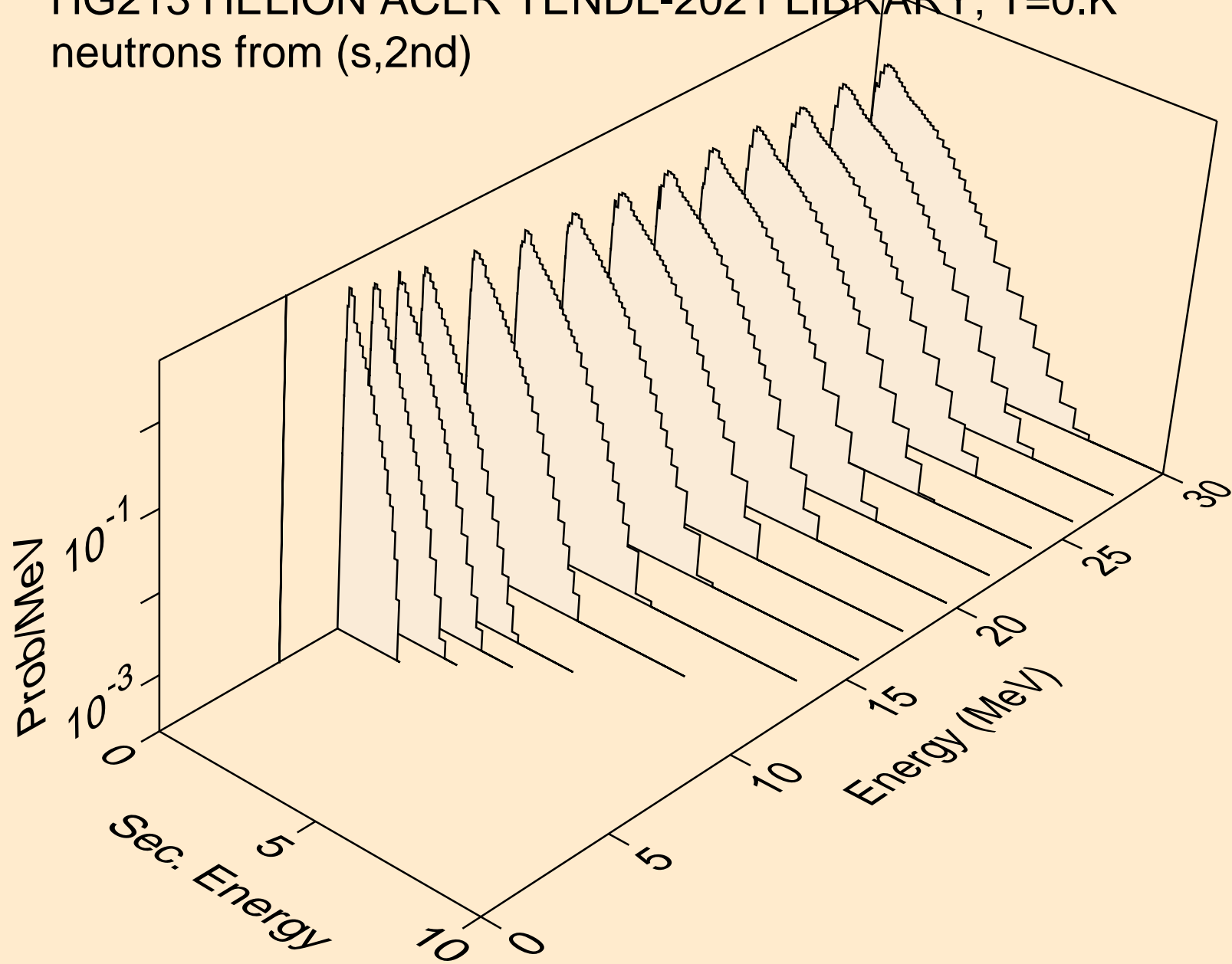
HG213 HELION ACER TENDL-2021 LIBRARY; T=0.K
neutrons from (s,n)



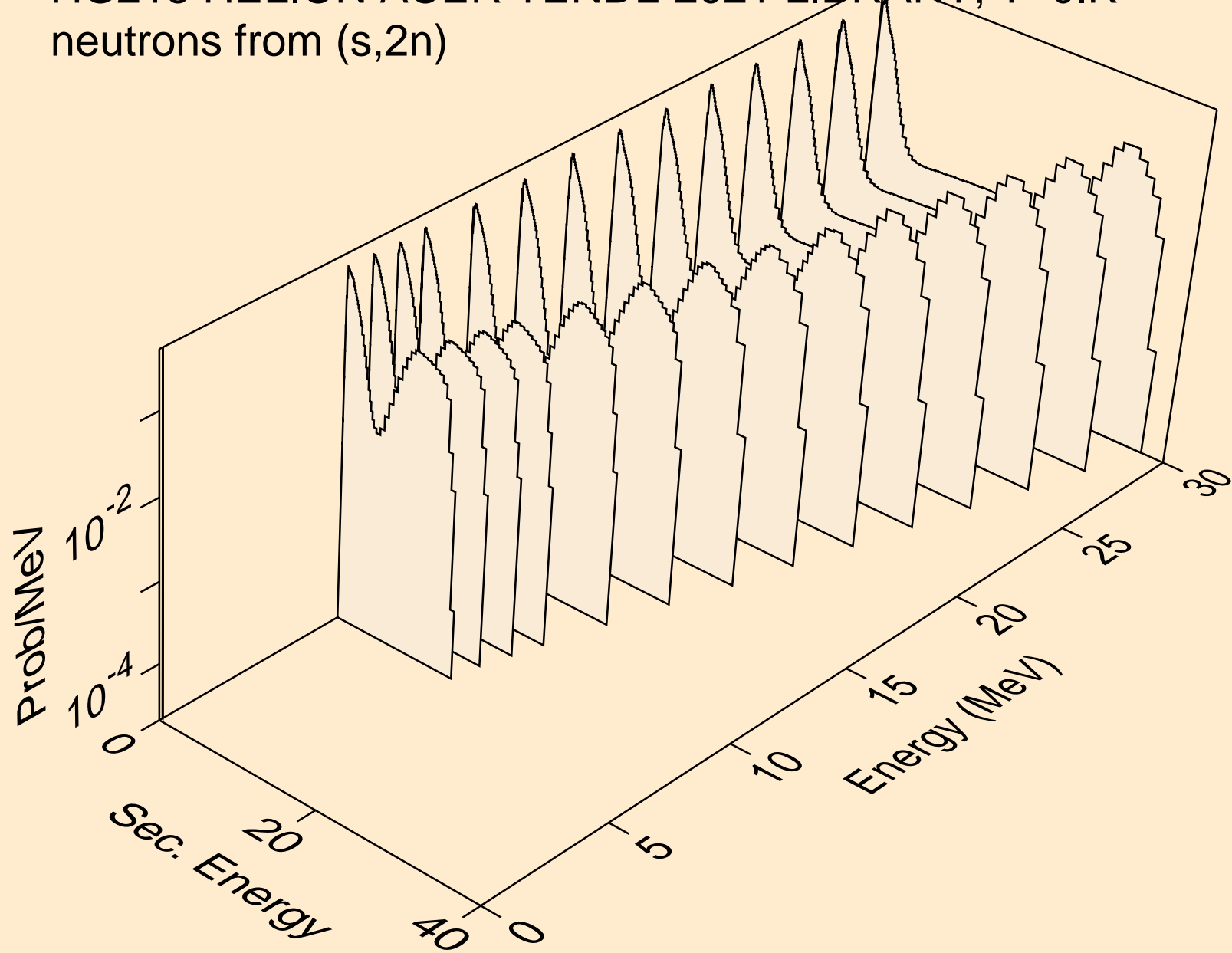
HG213 HELION ACER TENDL-2021 LIBRARY; T=0.K
neutrons from (s,x)



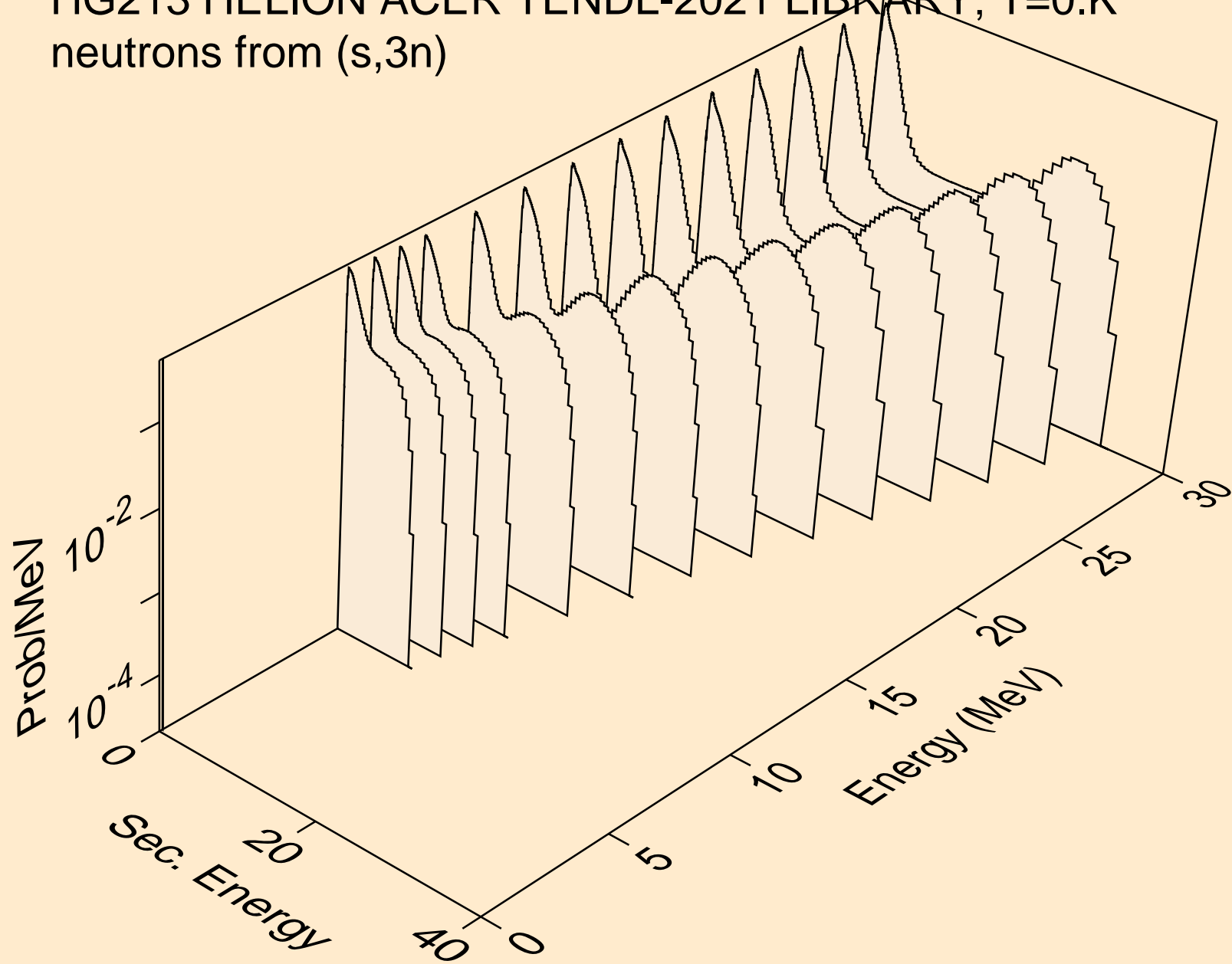
HG213 HELION ACER TENDL-2021 LIBRARY; T=0.K
neutrons from (s,2nd)



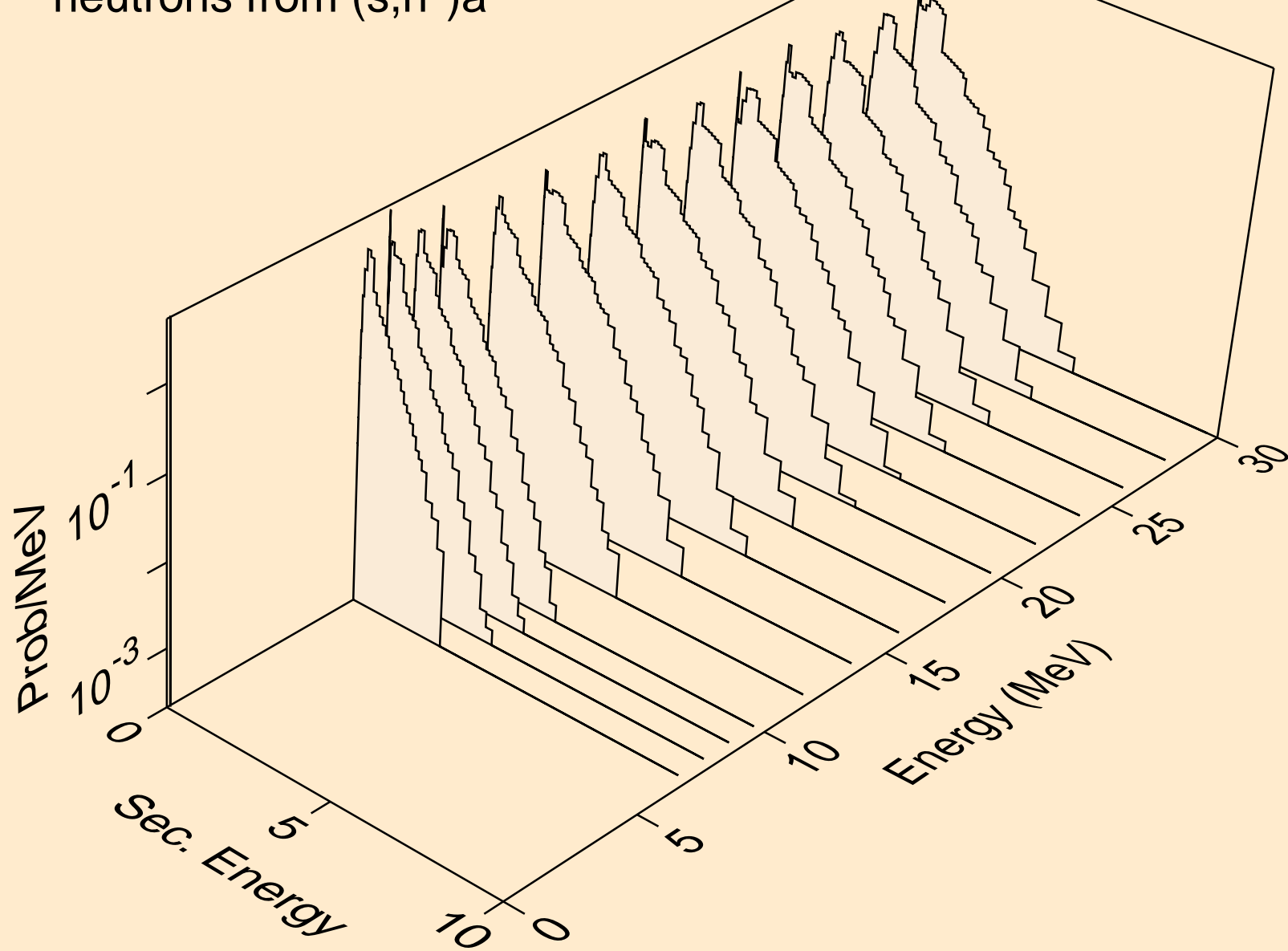
HG213 HELION ACER TENDL-2021 LIBRARY; T=0.K
neutrons from (s,2n)



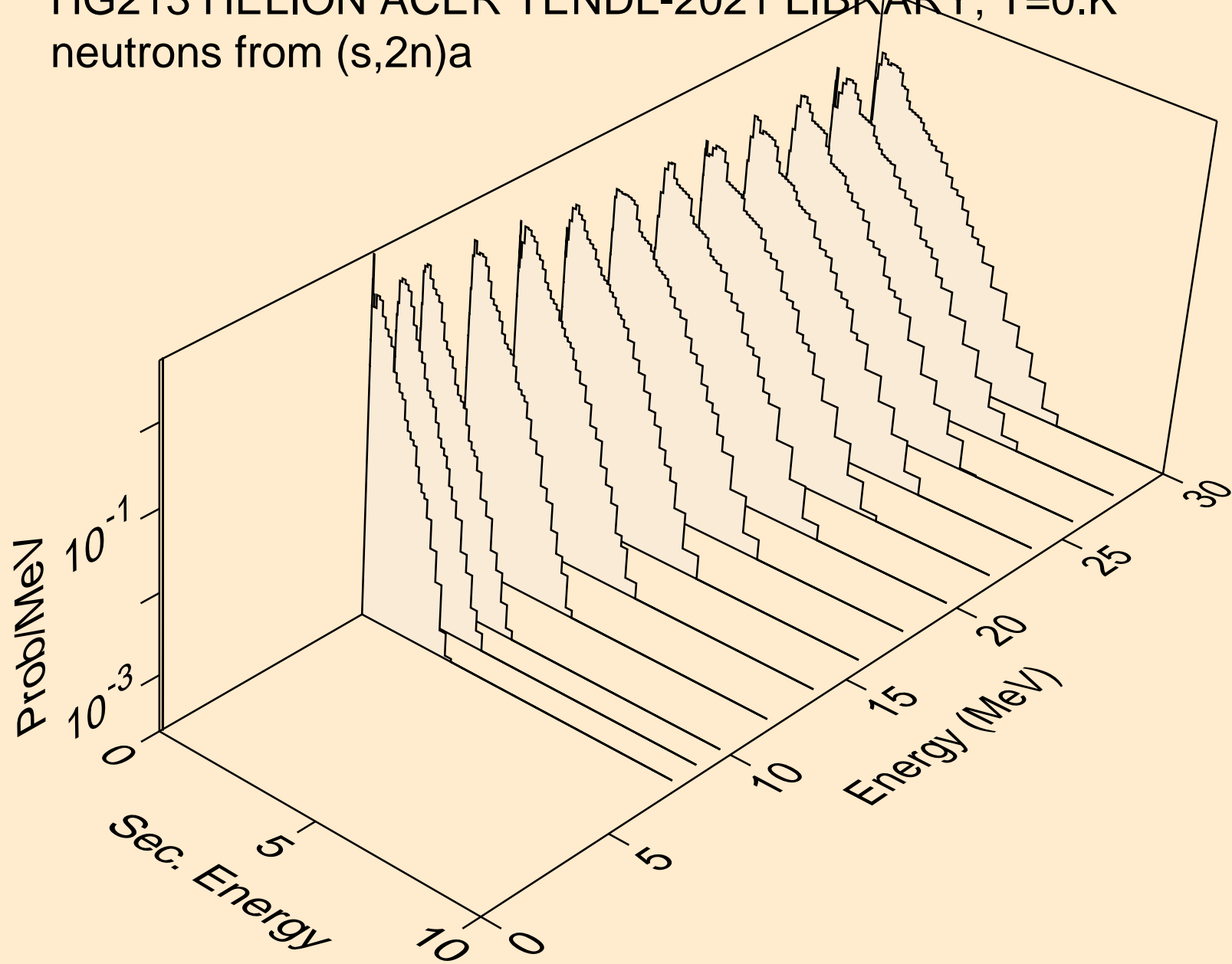
HG213 HELION ACER TENDL-2021 LIBRARY; T=0.K
neutrons from (s,3n)



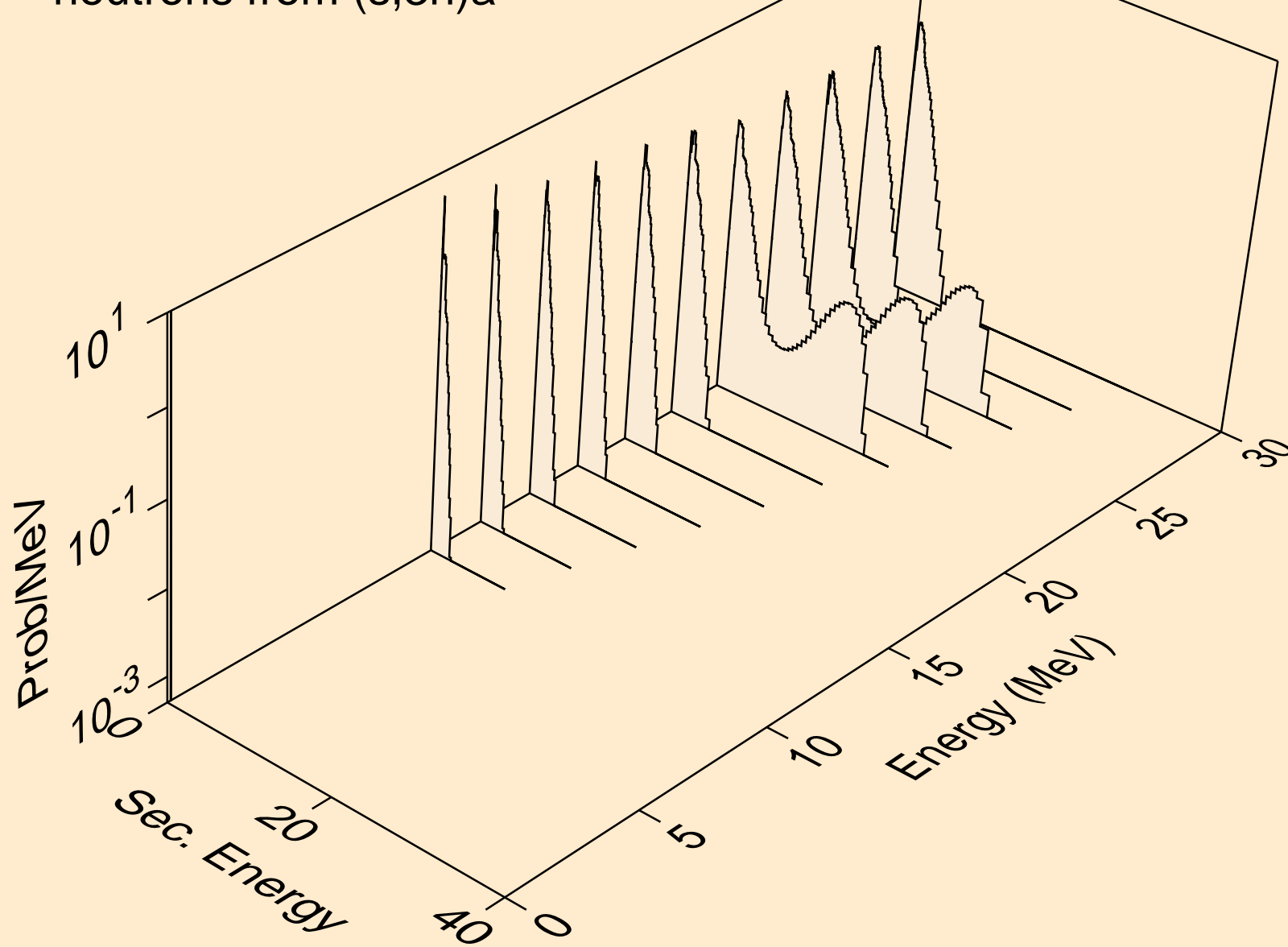
HG213 HELION ACER TENDL-2021 LIBRARY; T=0.K
neutrons from (s,n*)a



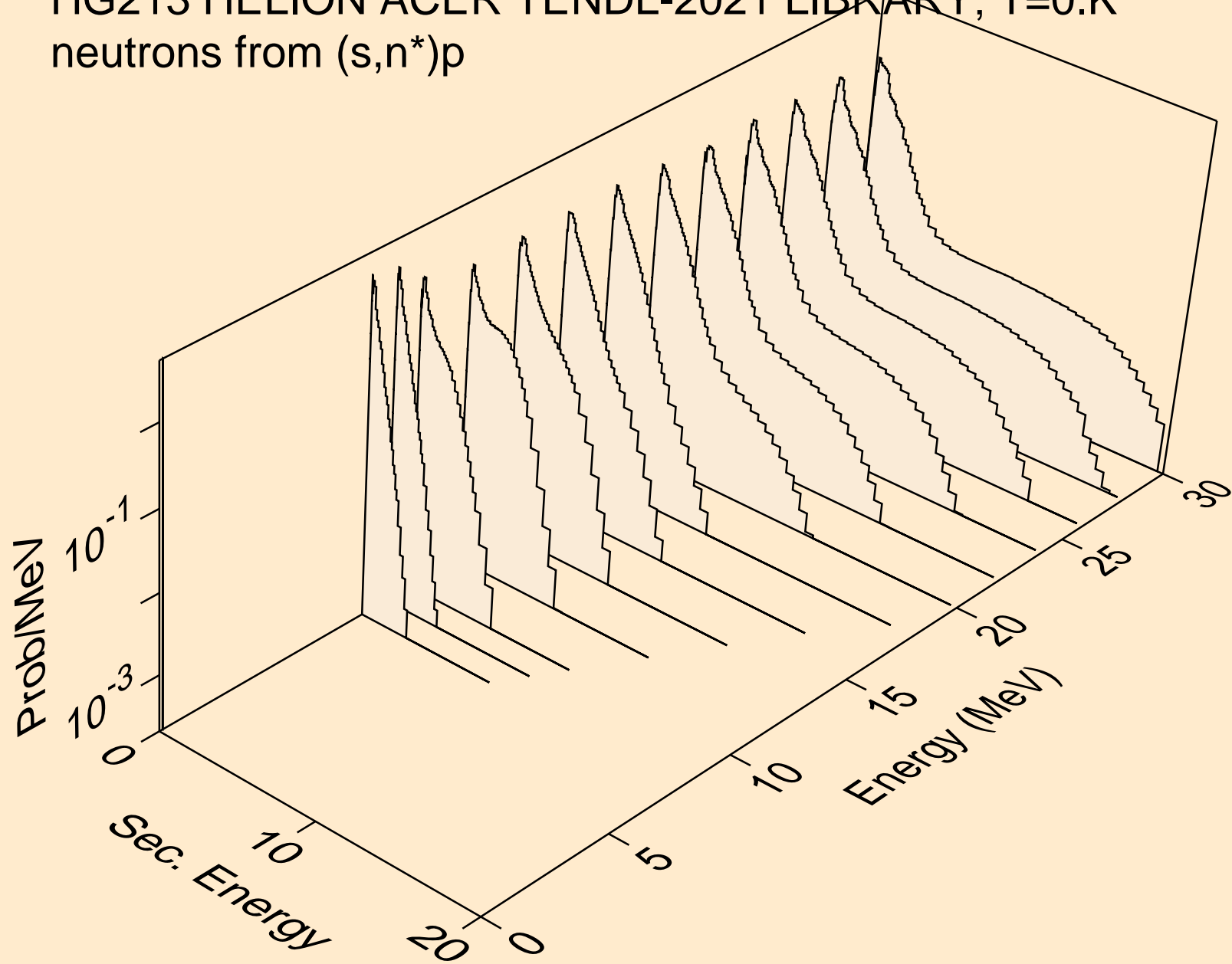
HG213 HELION ACER TENDL-2021 LIBRARY; T=0.K
neutrons from (s,2n)a



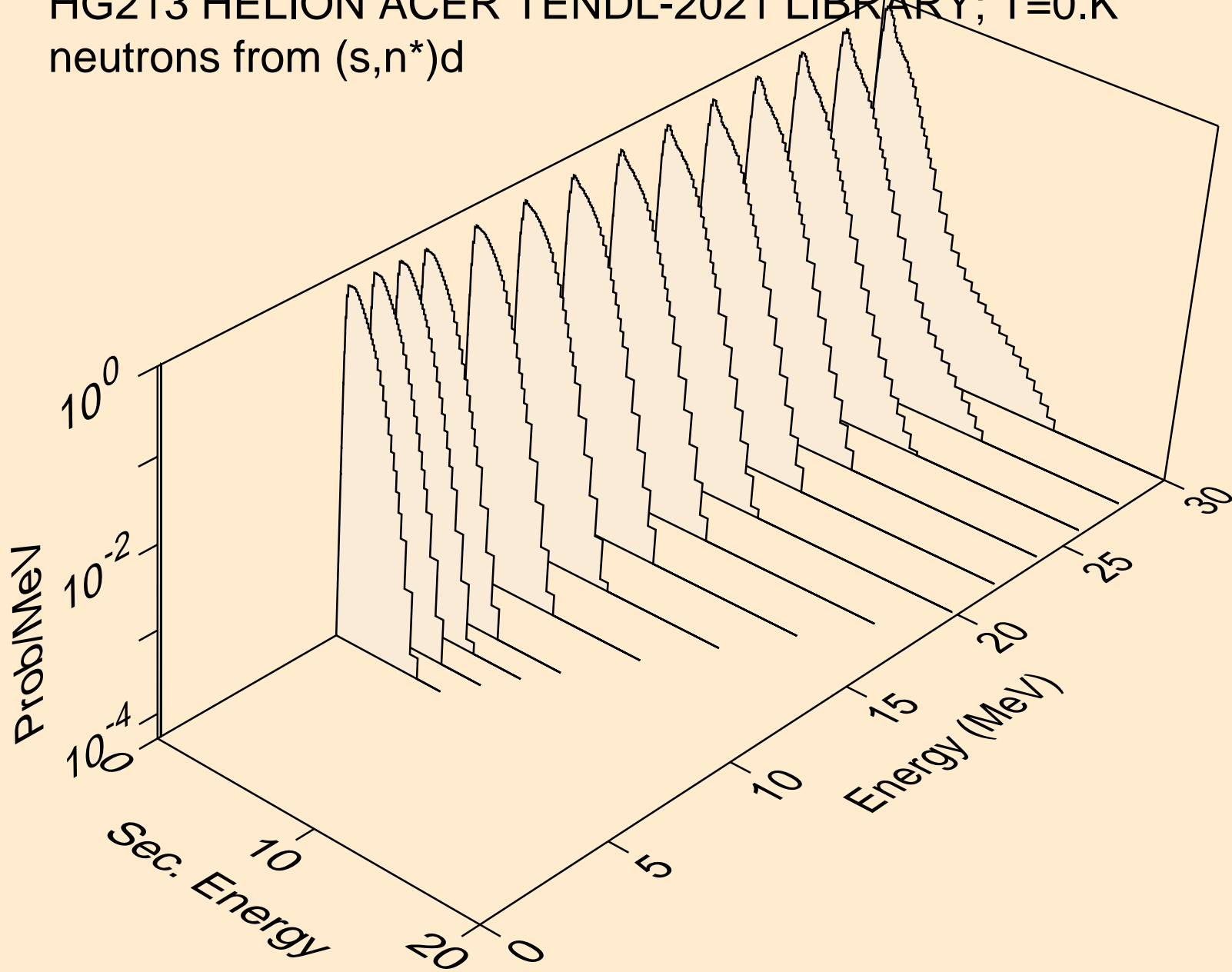
HG213 HELION ACER TENDL-2021 LIBRARY; T=0.K
neutrons from (s,3n)a



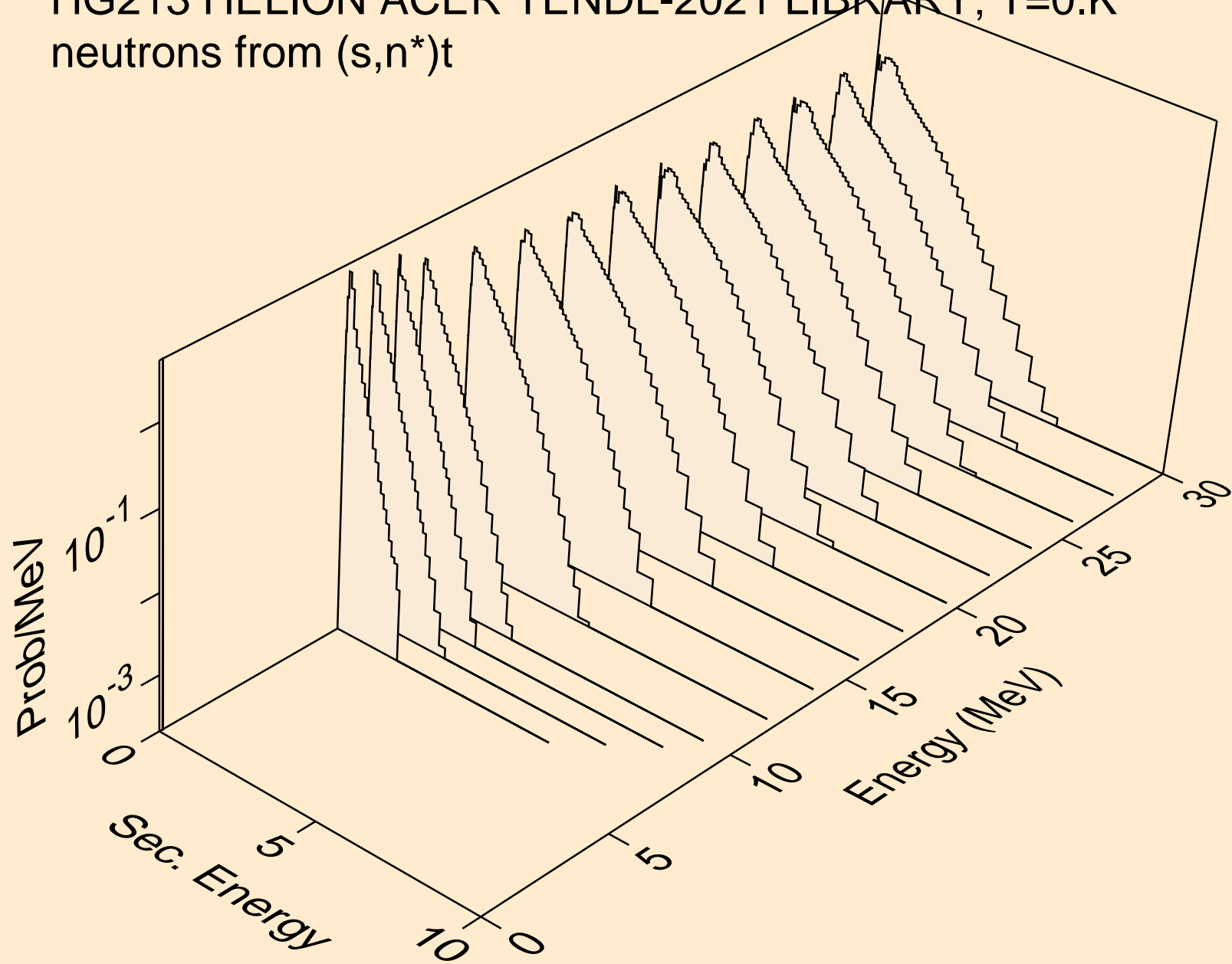
HG213 HELION ACER TENDL-2021 LIBRARY; T=0.K
neutrons from (s,n*)p



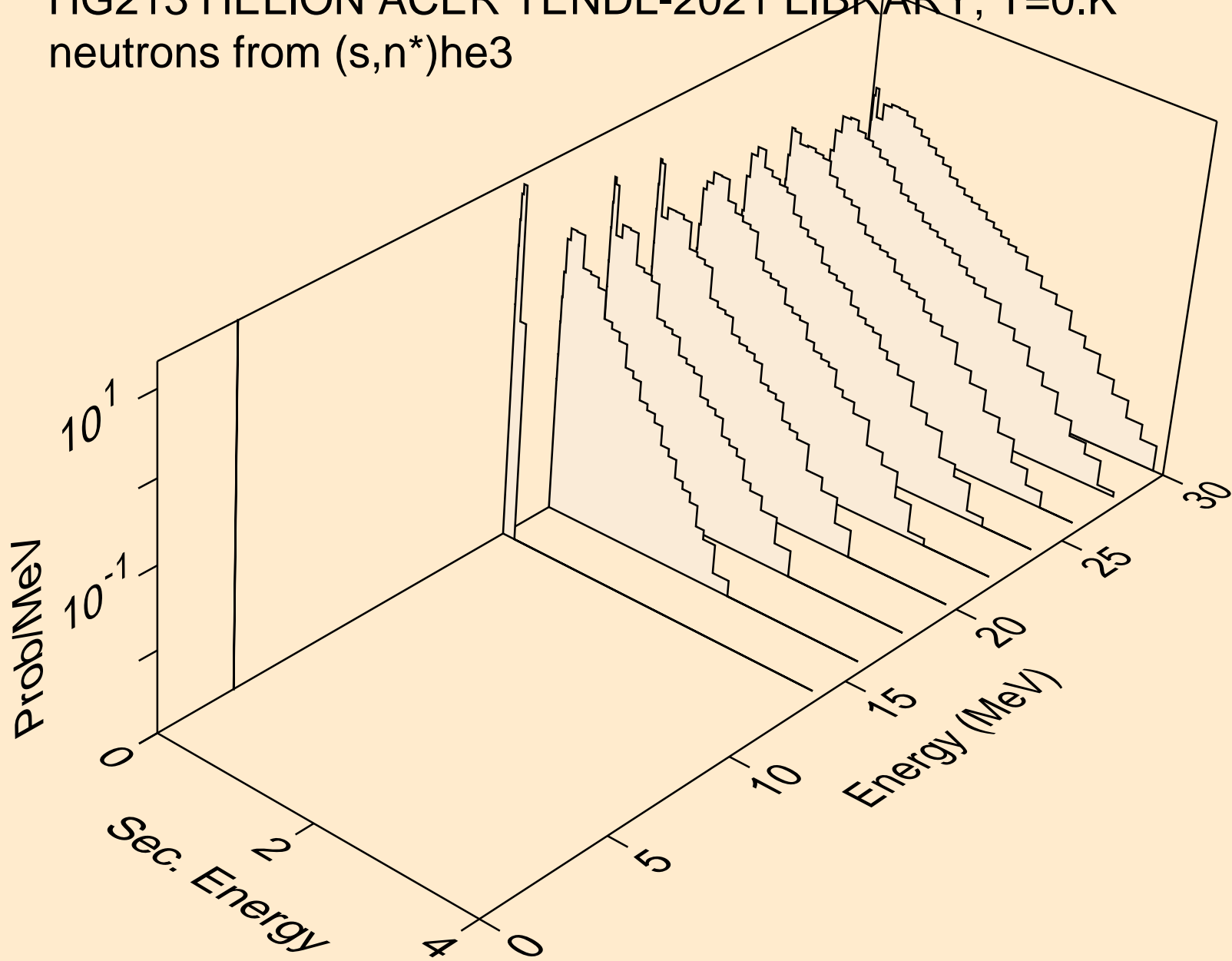
HG213 HELION ACER TENDL-2021 LIBRARY; T=0.K
neutrons from (s,n*)d



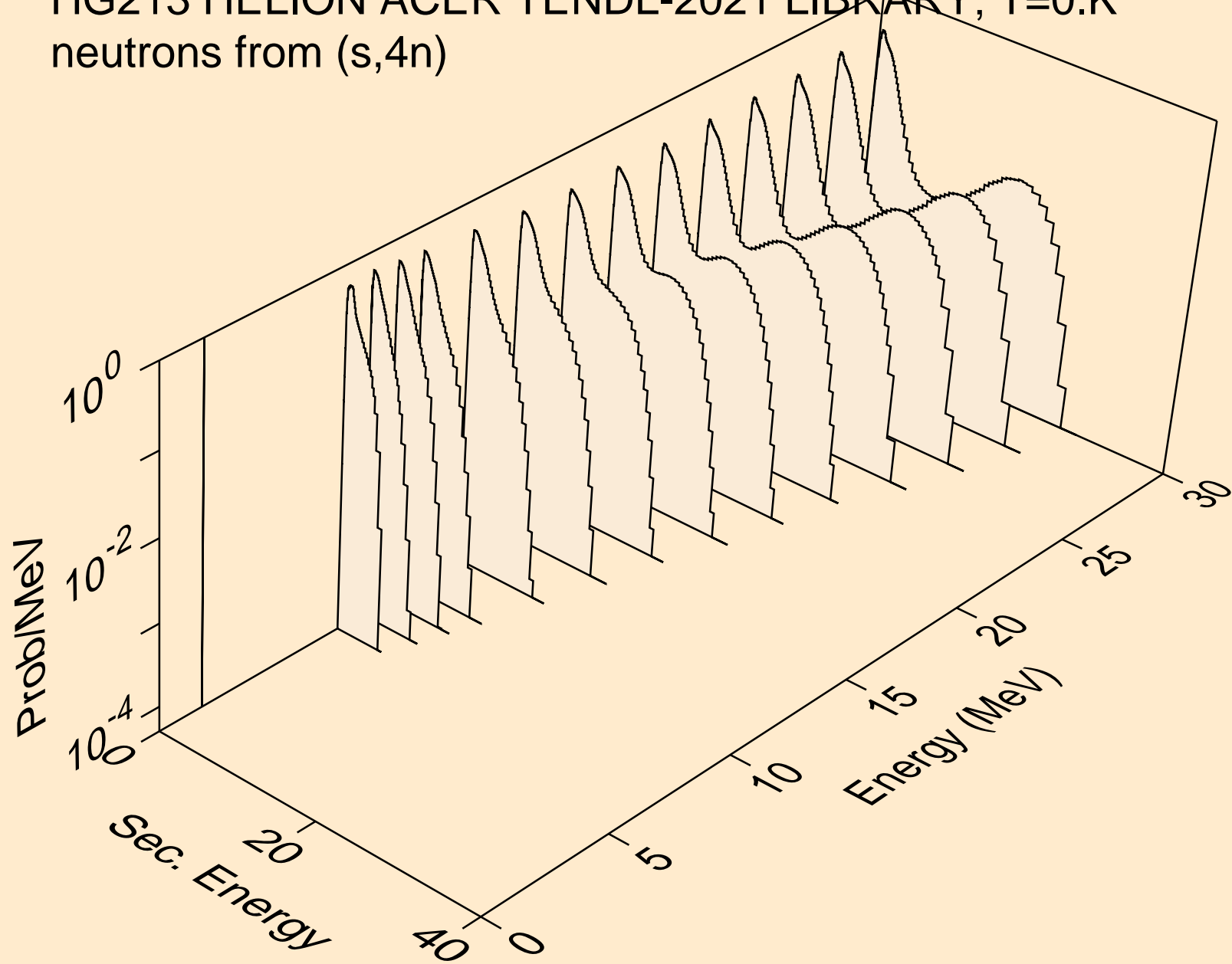
HG213 HELION ACER TENDL-2021 LIBRARY; T=0.K
neutrons from (s,n*)t



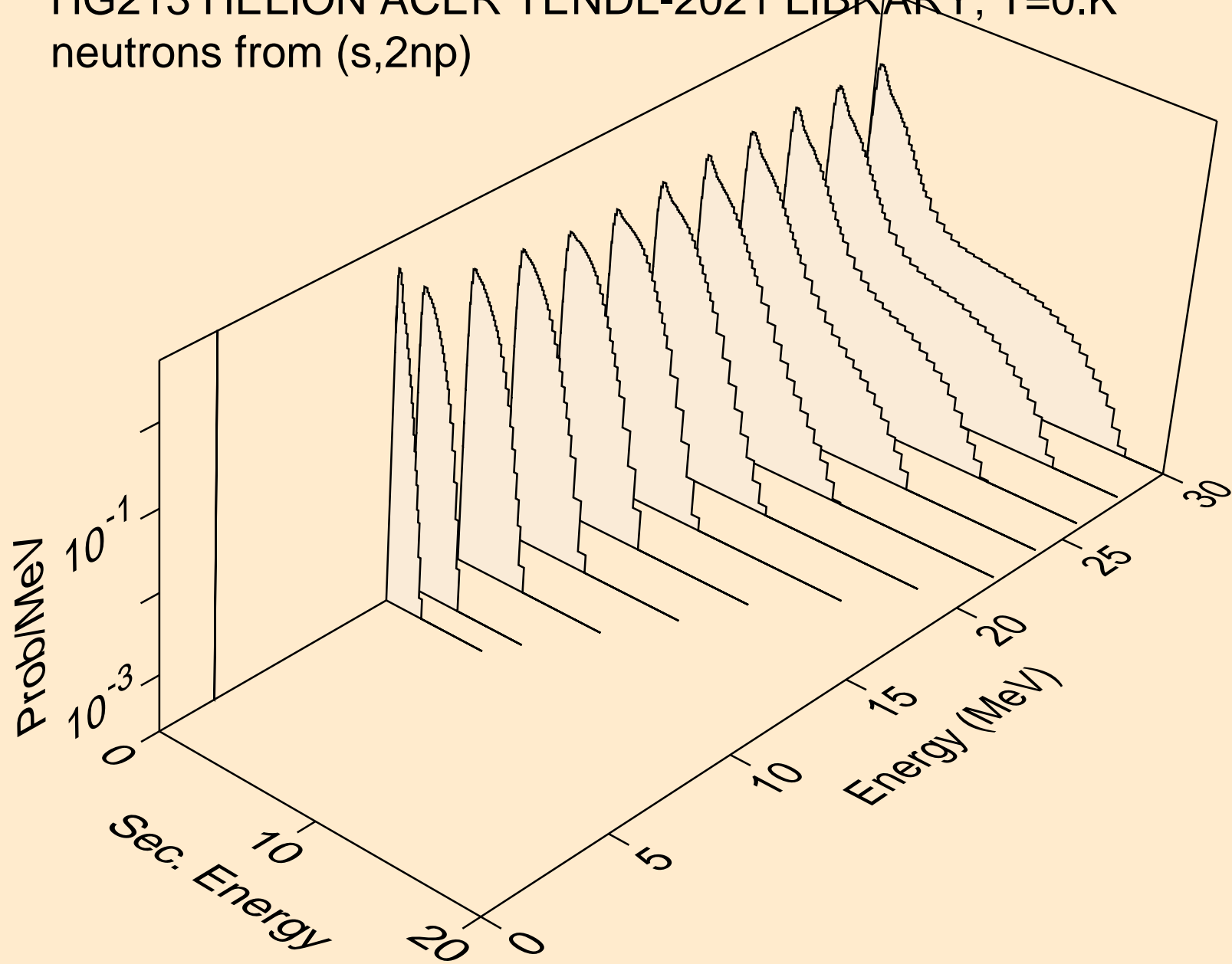
HG213 HELION ACER TENDL-2021 LIBRARY; T=0.K
neutrons from (s,n*)he3



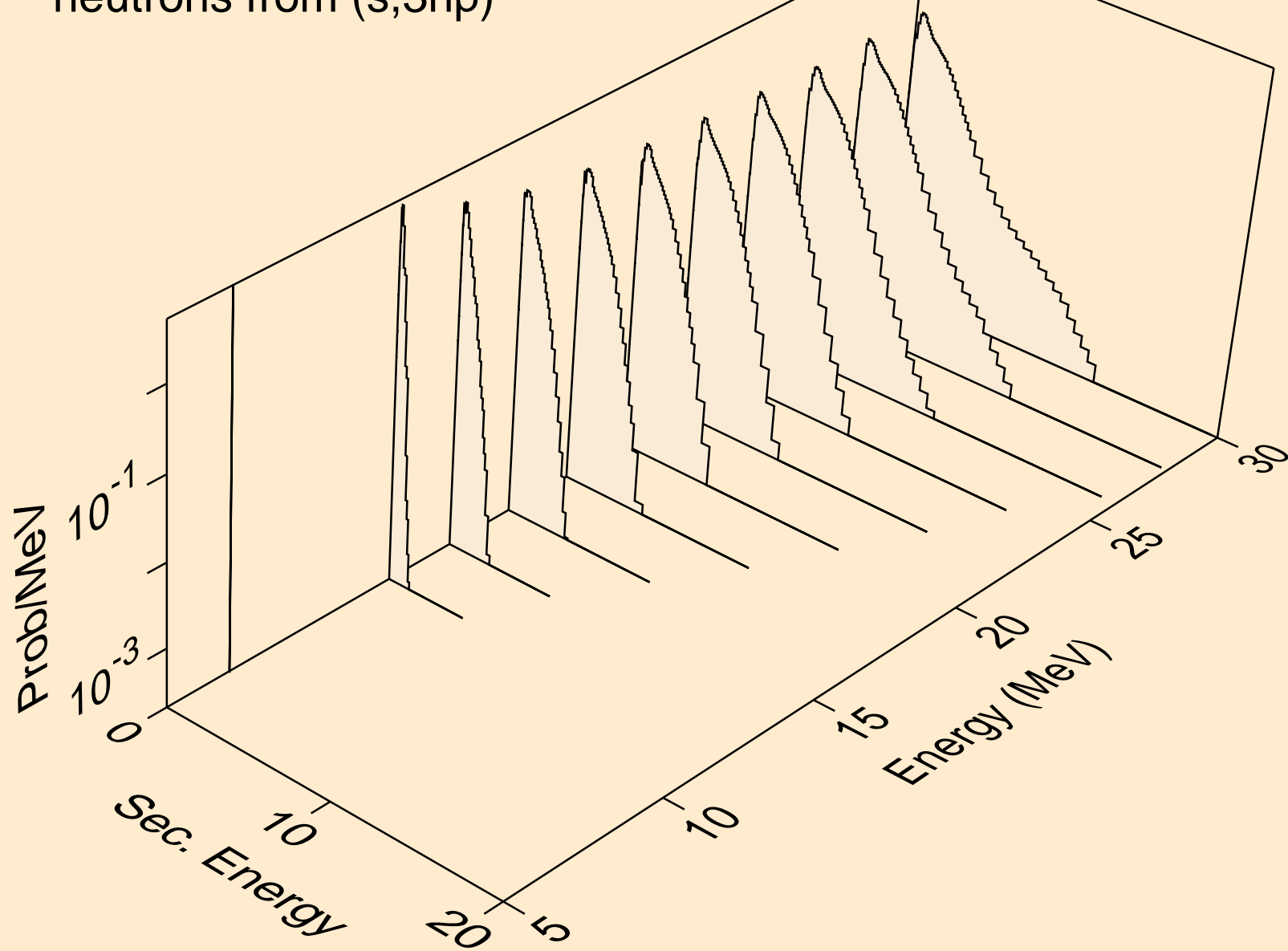
HG213 HELION ACER TENDL-2021 LIBRARY; T=0.K
neutrons from (s,4n)



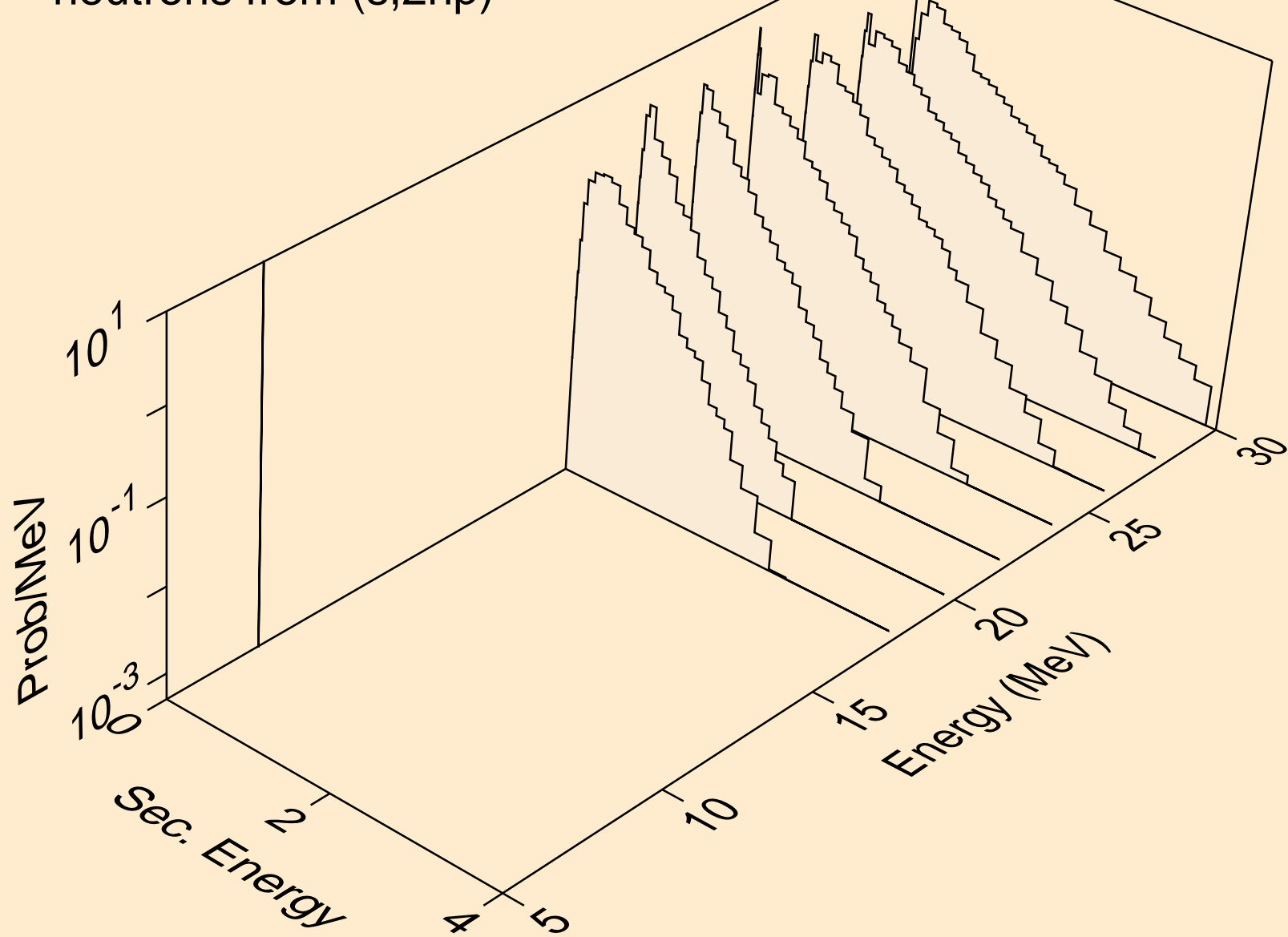
HG213 HELION ACER TENDL-2021 LIBRARY; T=0.K
neutrons from (s,2np)



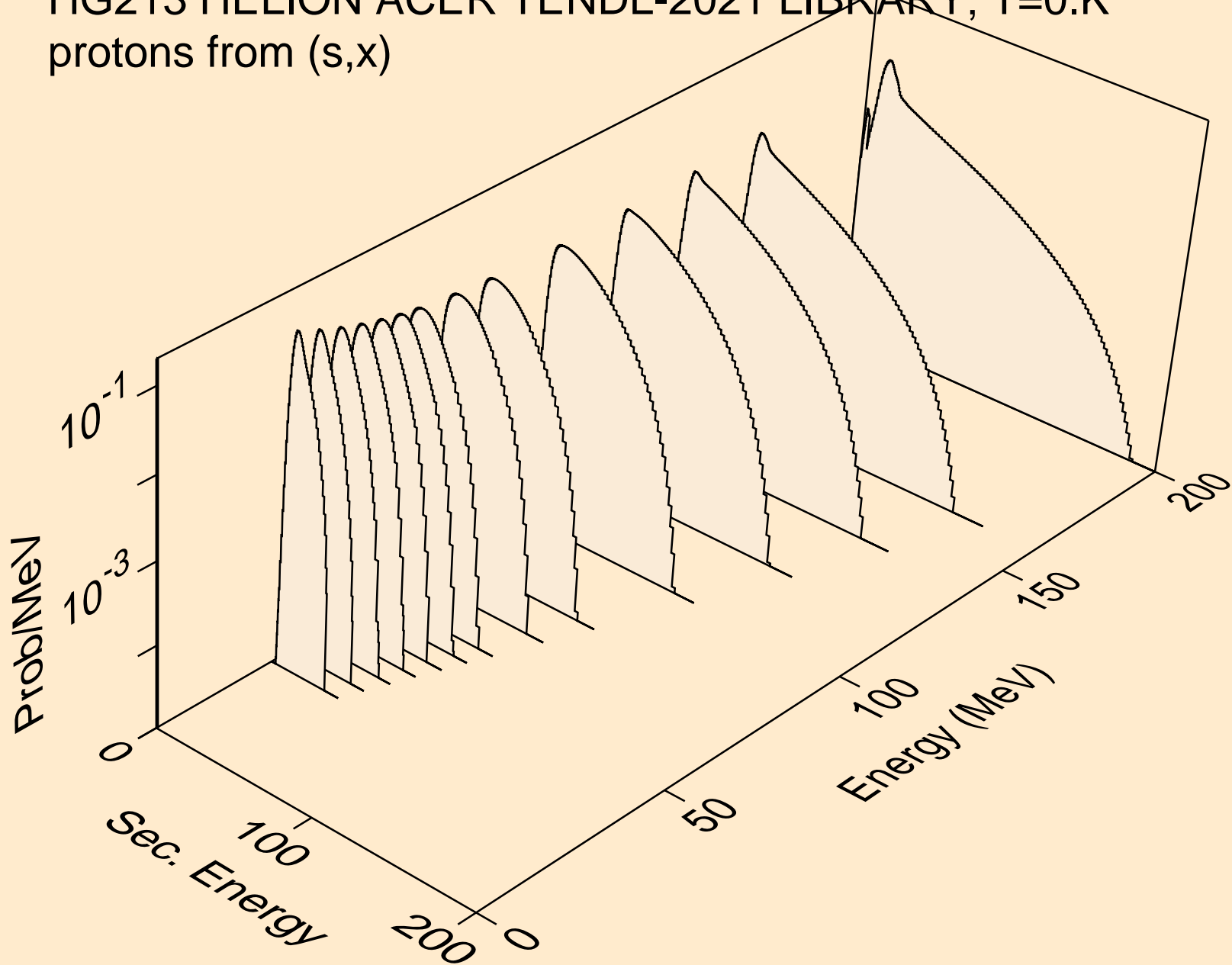
HG213 HELION ACER TENDL-2021 LIBRARY; T=0.K
neutrons from (s,3np)



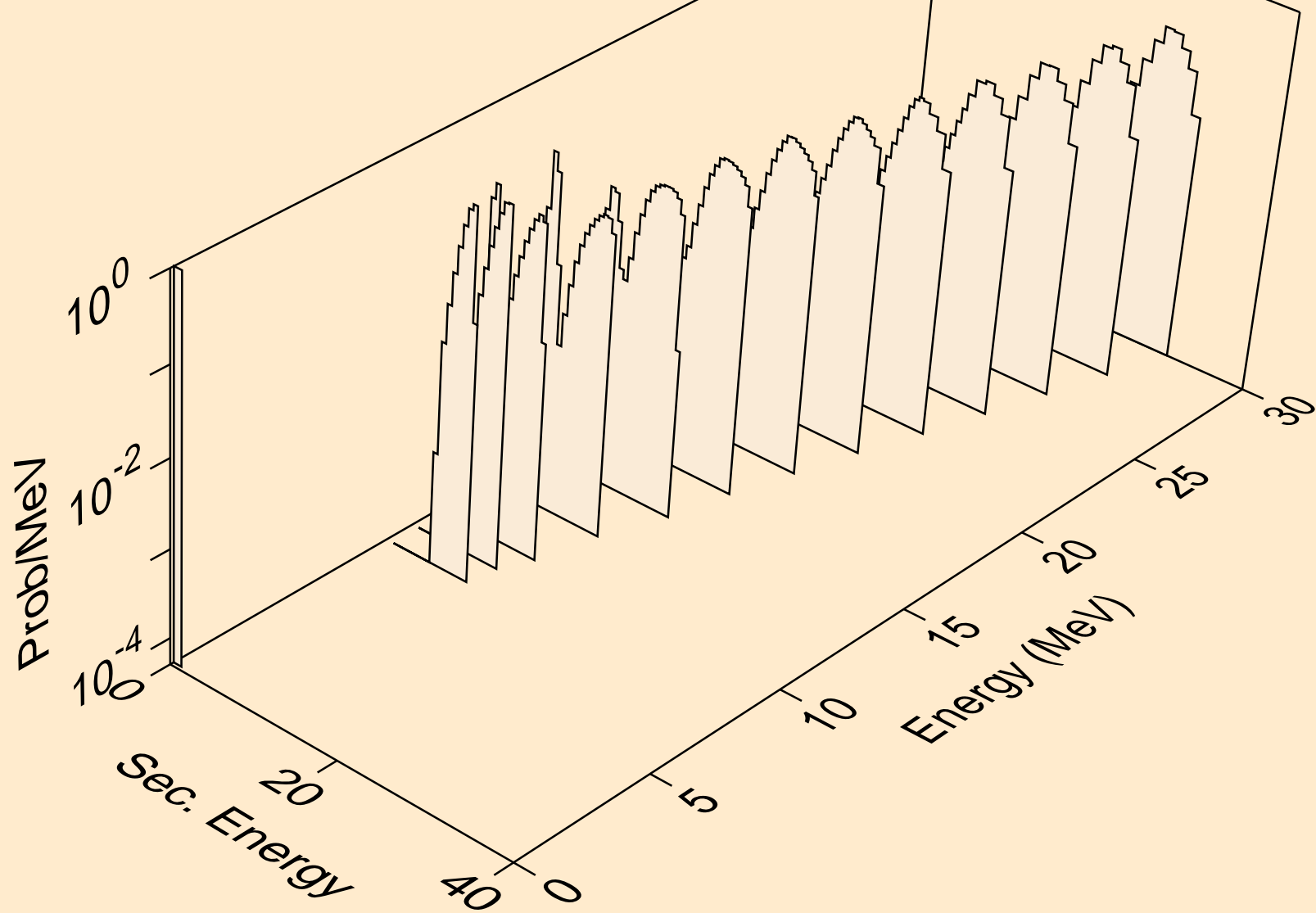
HG213 HELION ACER TENDL-2021 LIBRARY; T=0.K
neutrons from (s,2np)



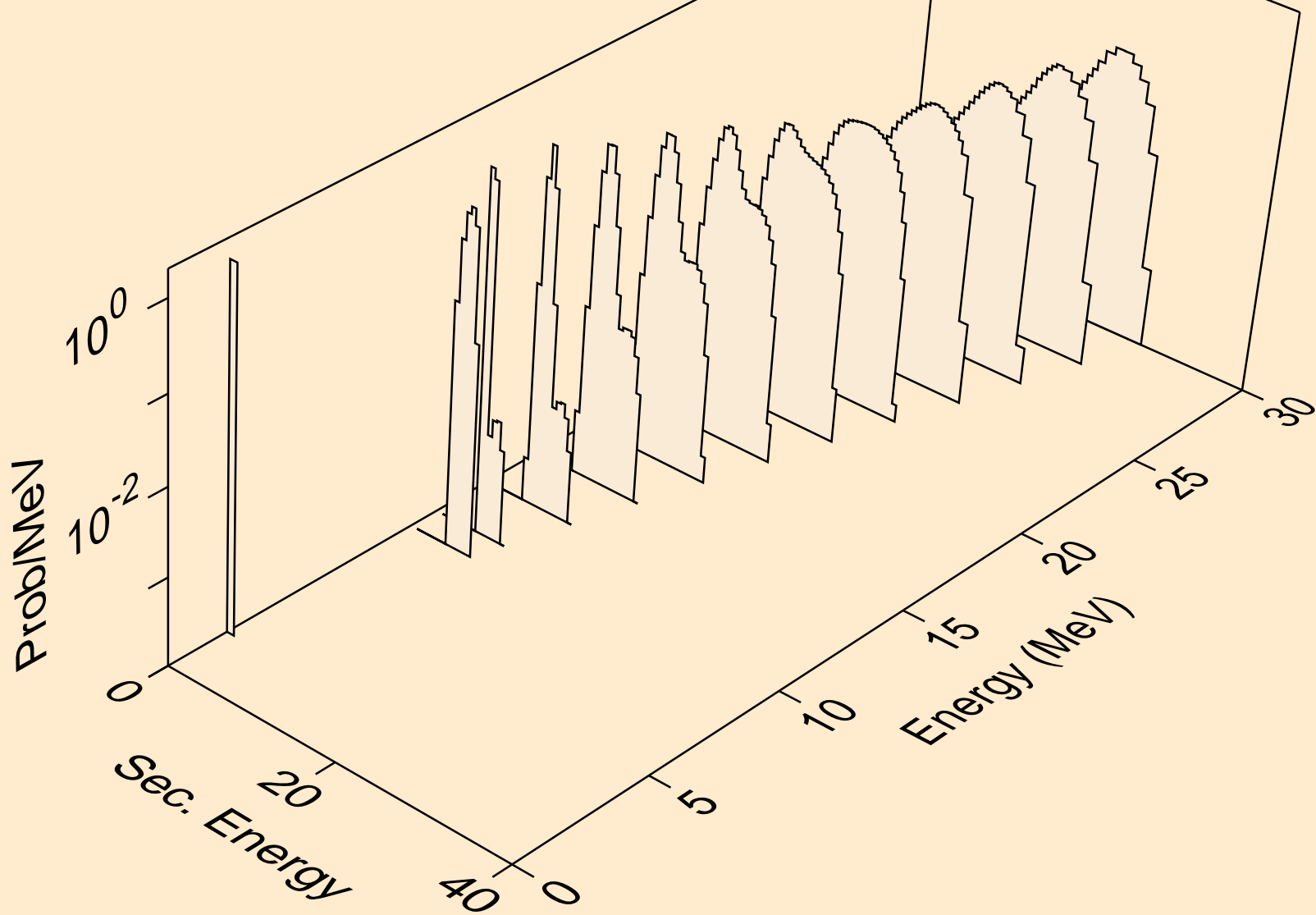
HG213 HELION ACER TENDL-2021 LIBRARY; T=0.K
protons from (s,x)



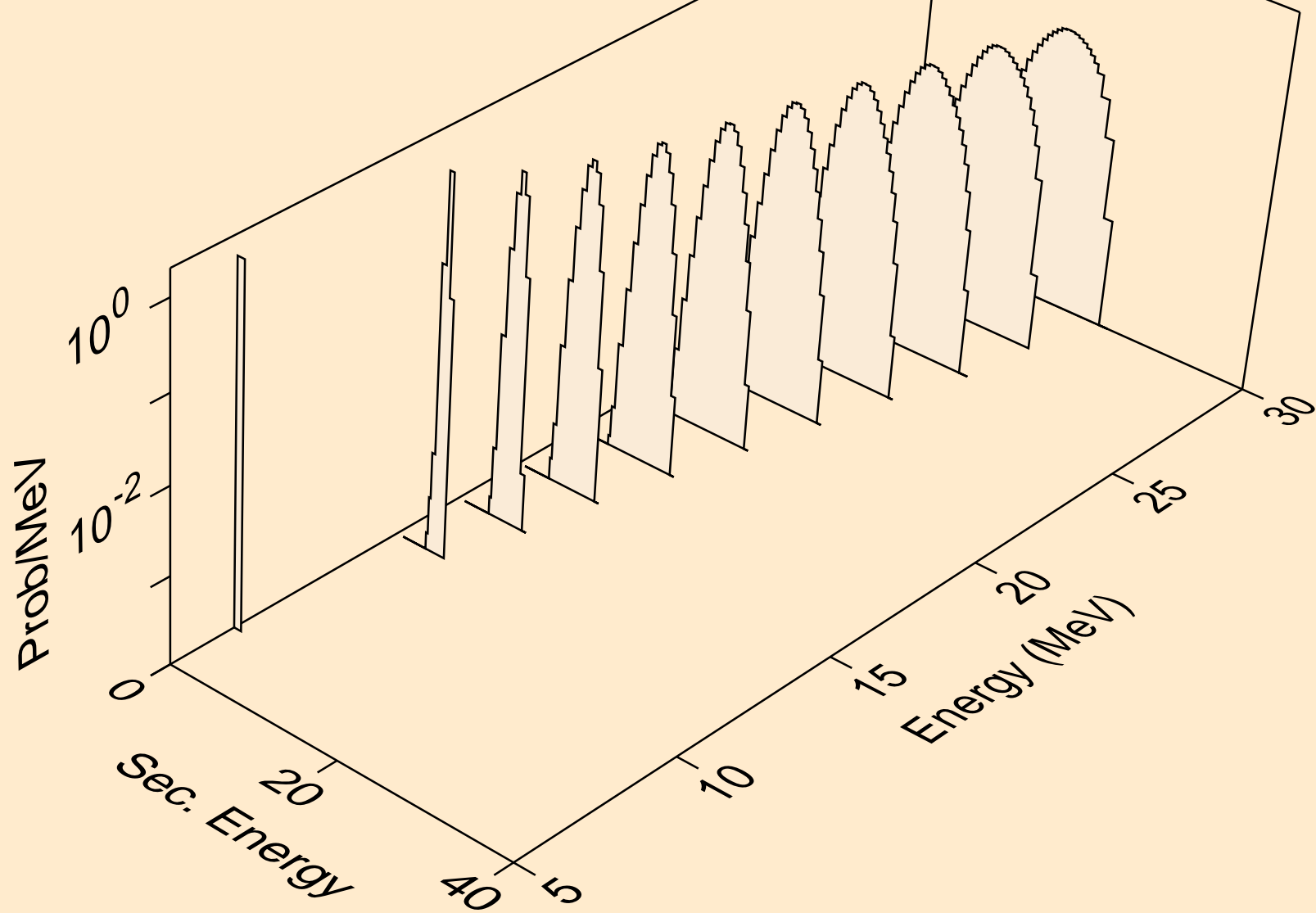
HG213 HELION ACER TENDL-2021 LIBRARY; T=0.K
protons from (s,n*)p



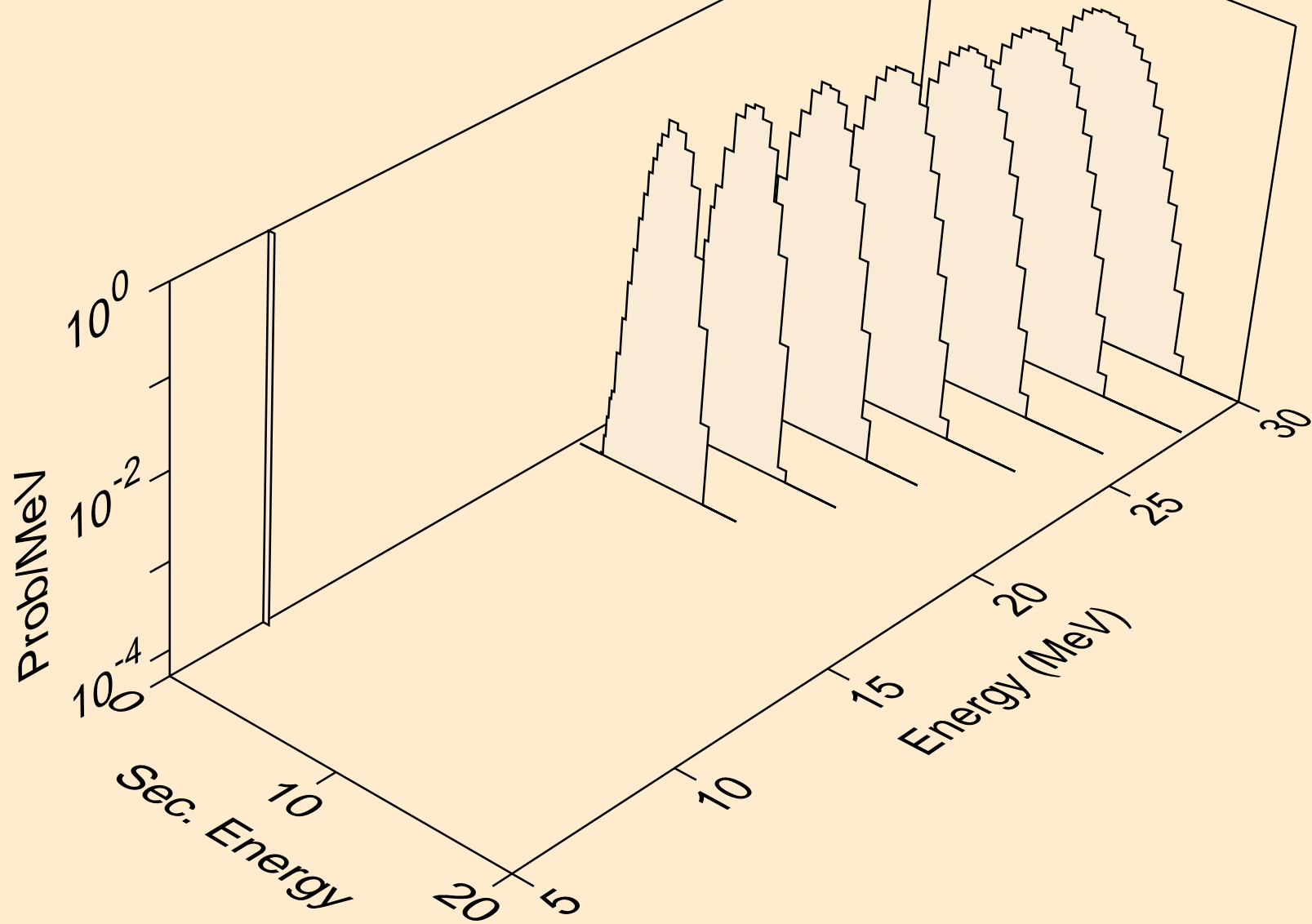
HG213 HELION ACER TENDL-2021 LIBRARY; T=0.K
protons from (s,2np)



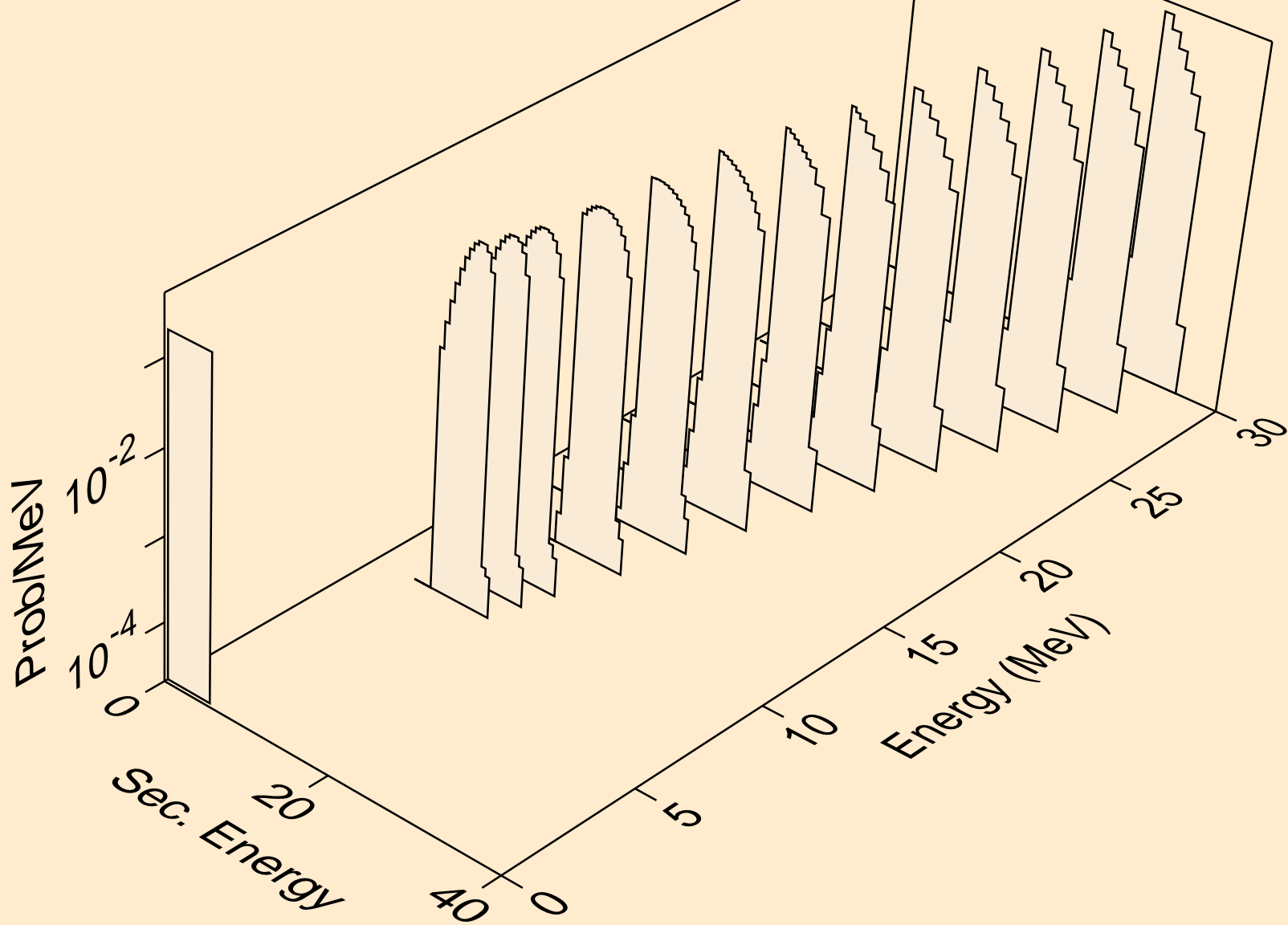
HG213 HELION ACER TENDL-2021 LIBRARY; T=0.K
protons from (s,3np)



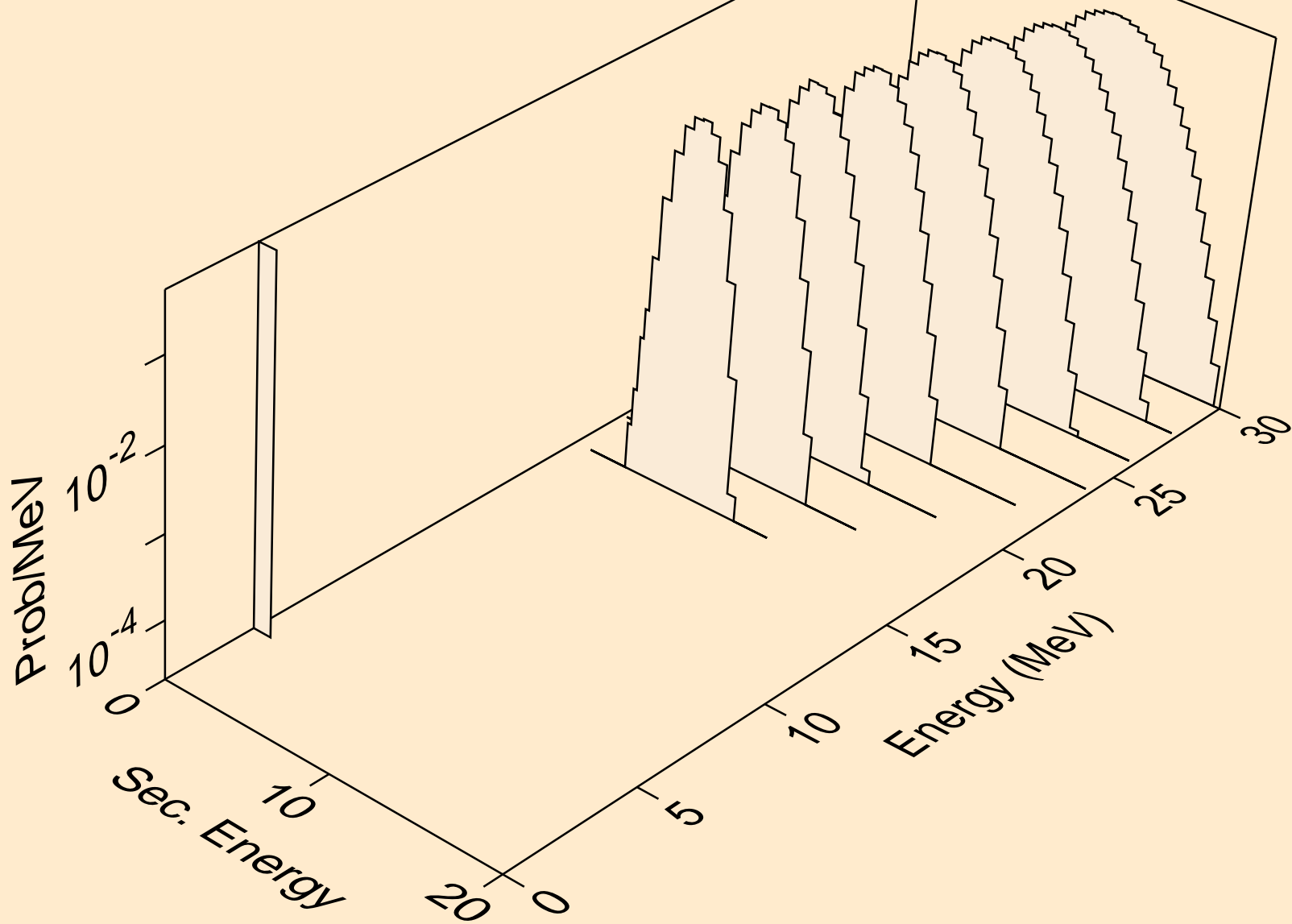
HG213 HELION ACER TENDL-2021 LIBRARY; T=0.K
protons from (s,2np)



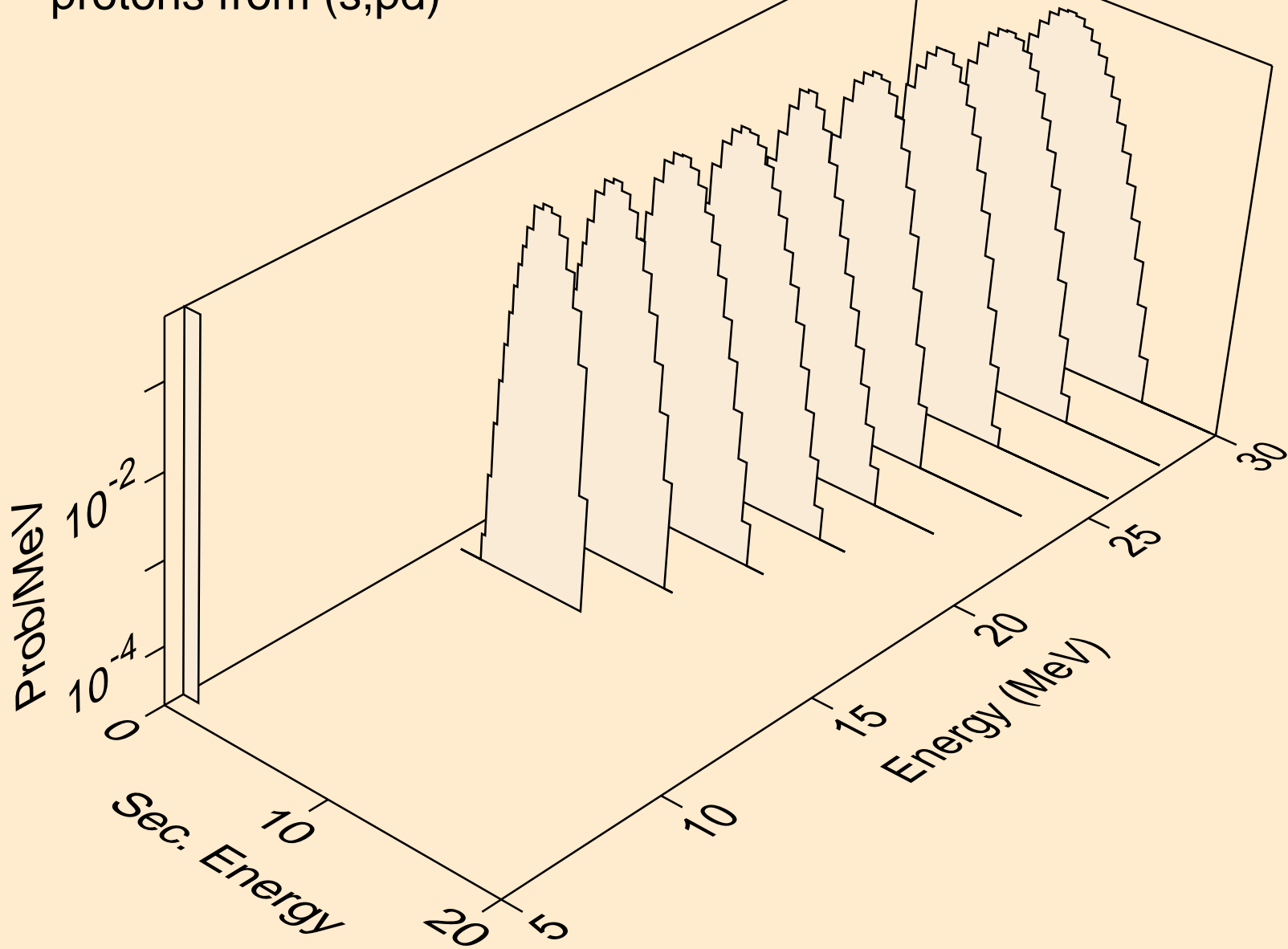
HG213 HELION ACER TENDL-2021 LIBRARY; T=0.K
protons from (s,p)



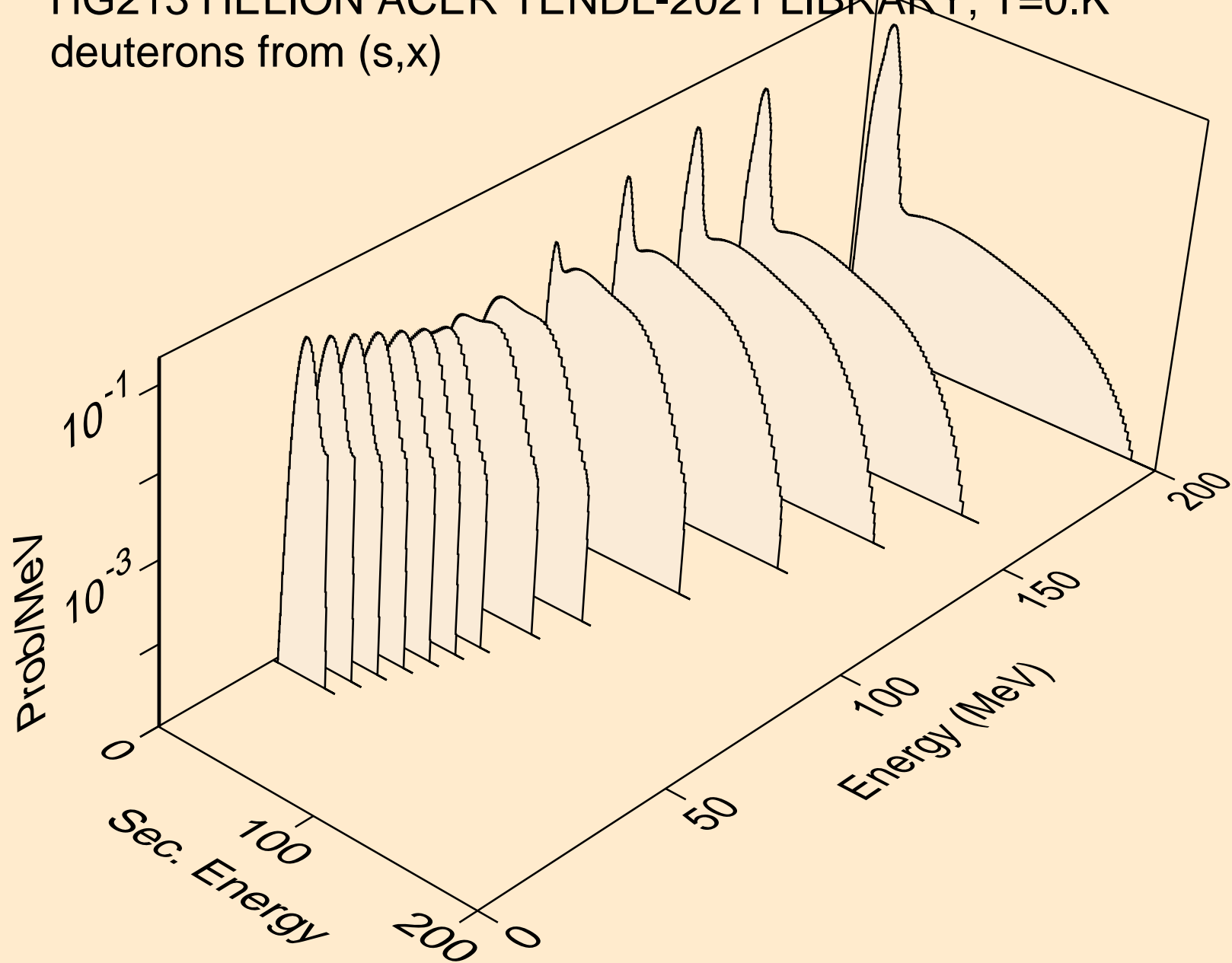
HG213 HELION ACER TENDL-2021 LIBRARY; T=0.K
protons from (s,2p)



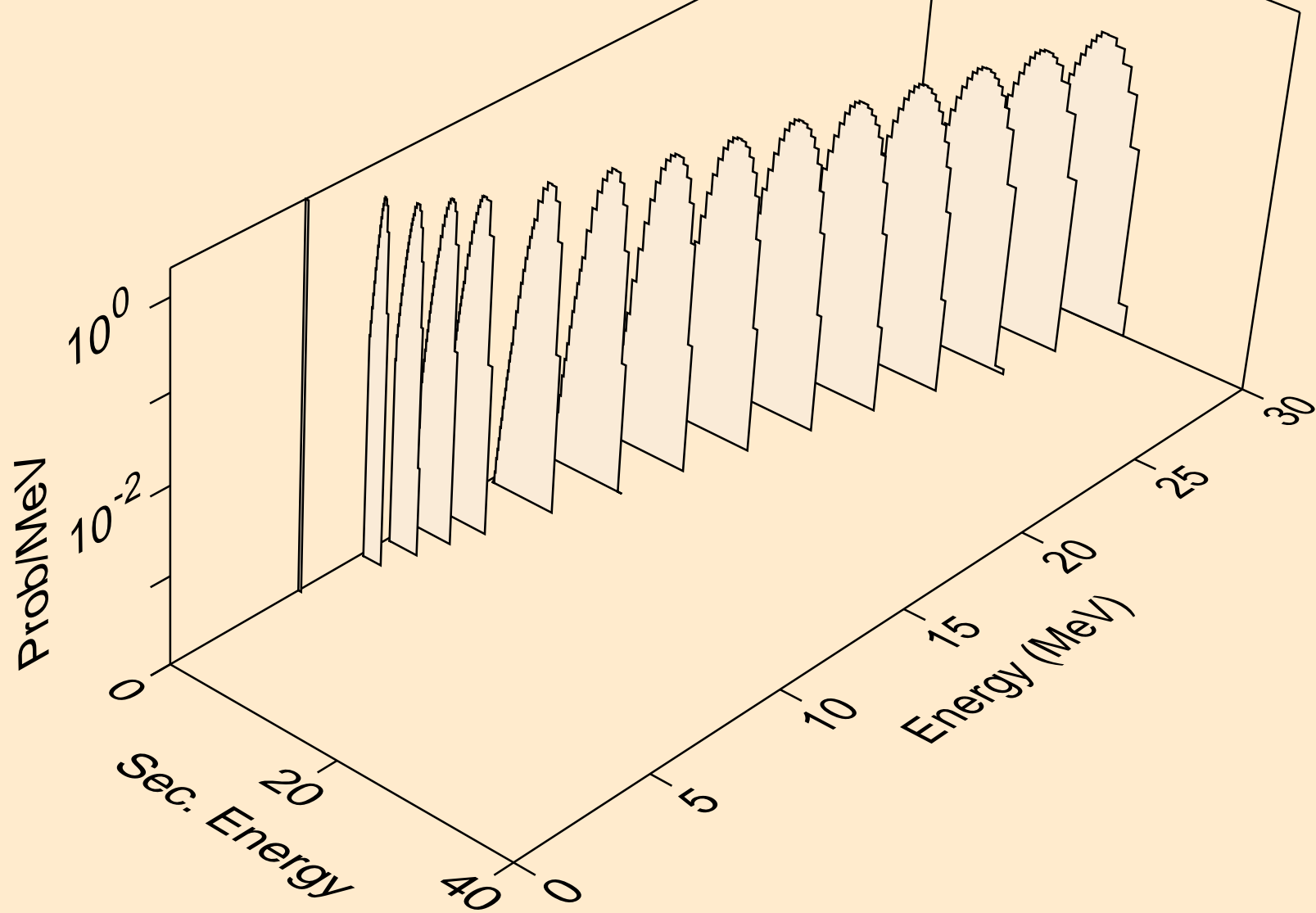
HG213 HELION ACER TENDL-2021 LIBRARY; T=0.K
protons from (s,pd)



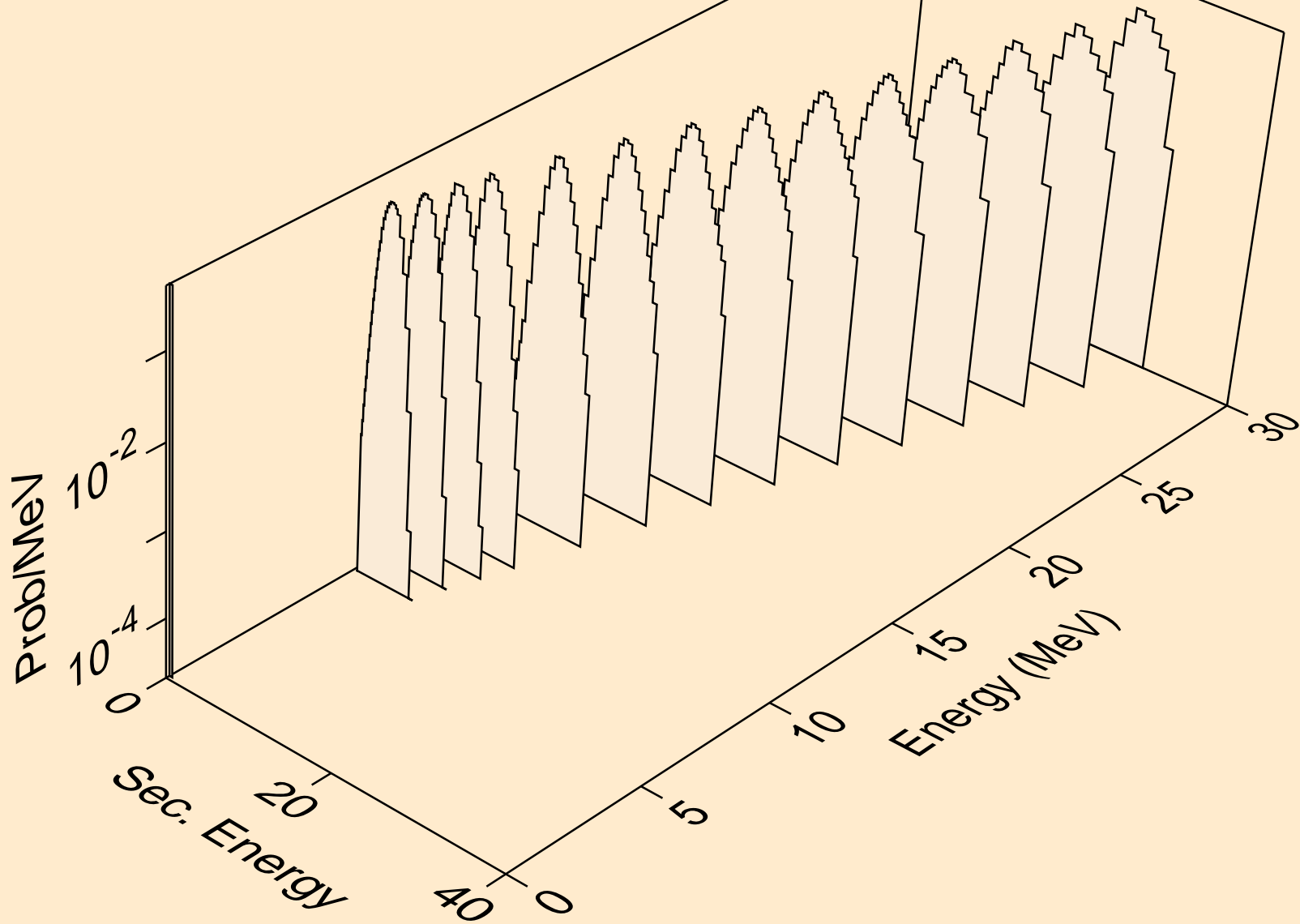
HG213 HELION ACER TENDL-2021 LIBRARY; T=0.K
deuterons from (s,x)



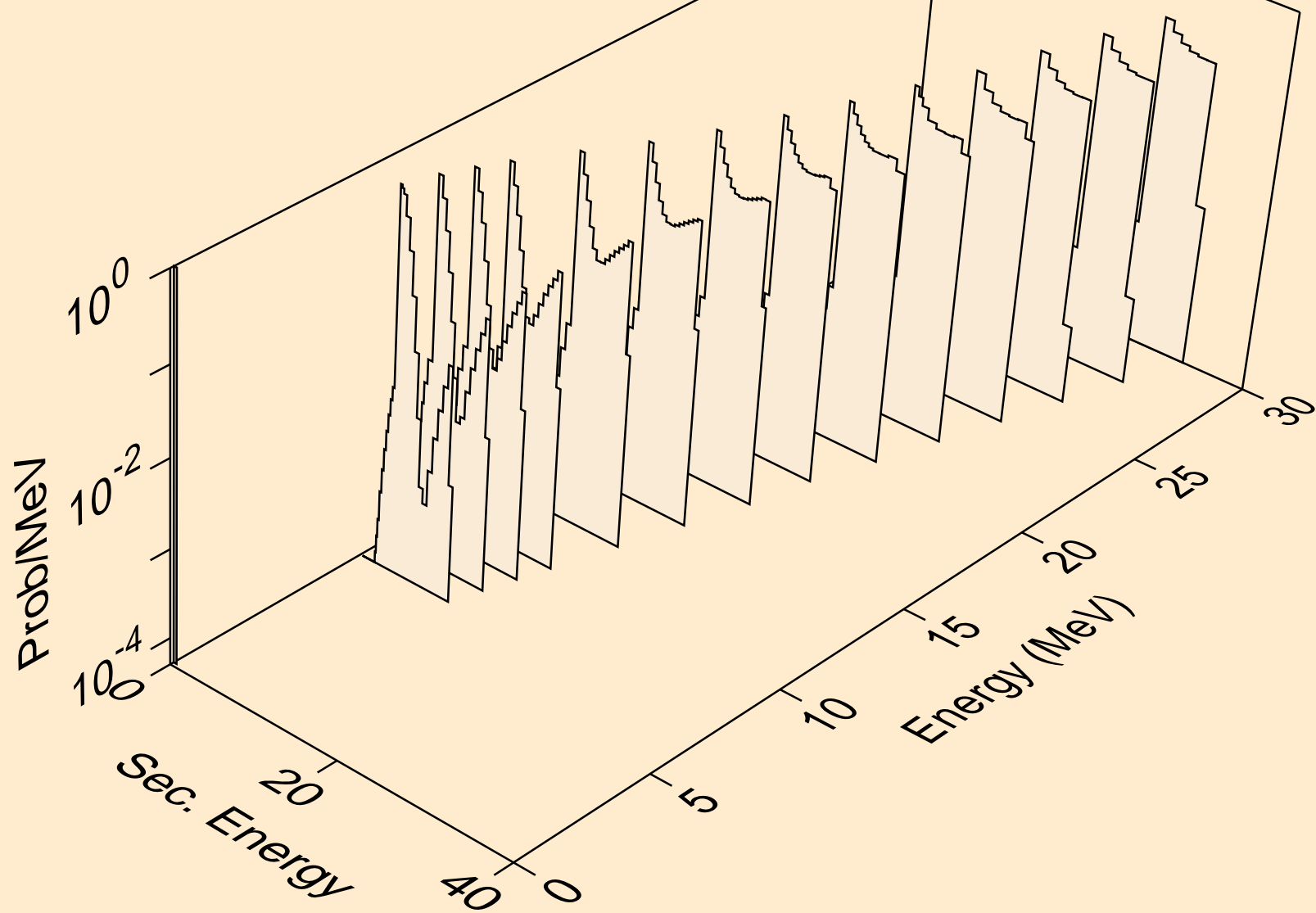
HG213 HELION ACER TENDL-2021 LIBRARY; T=0.K
deuterons from (s,2nd)



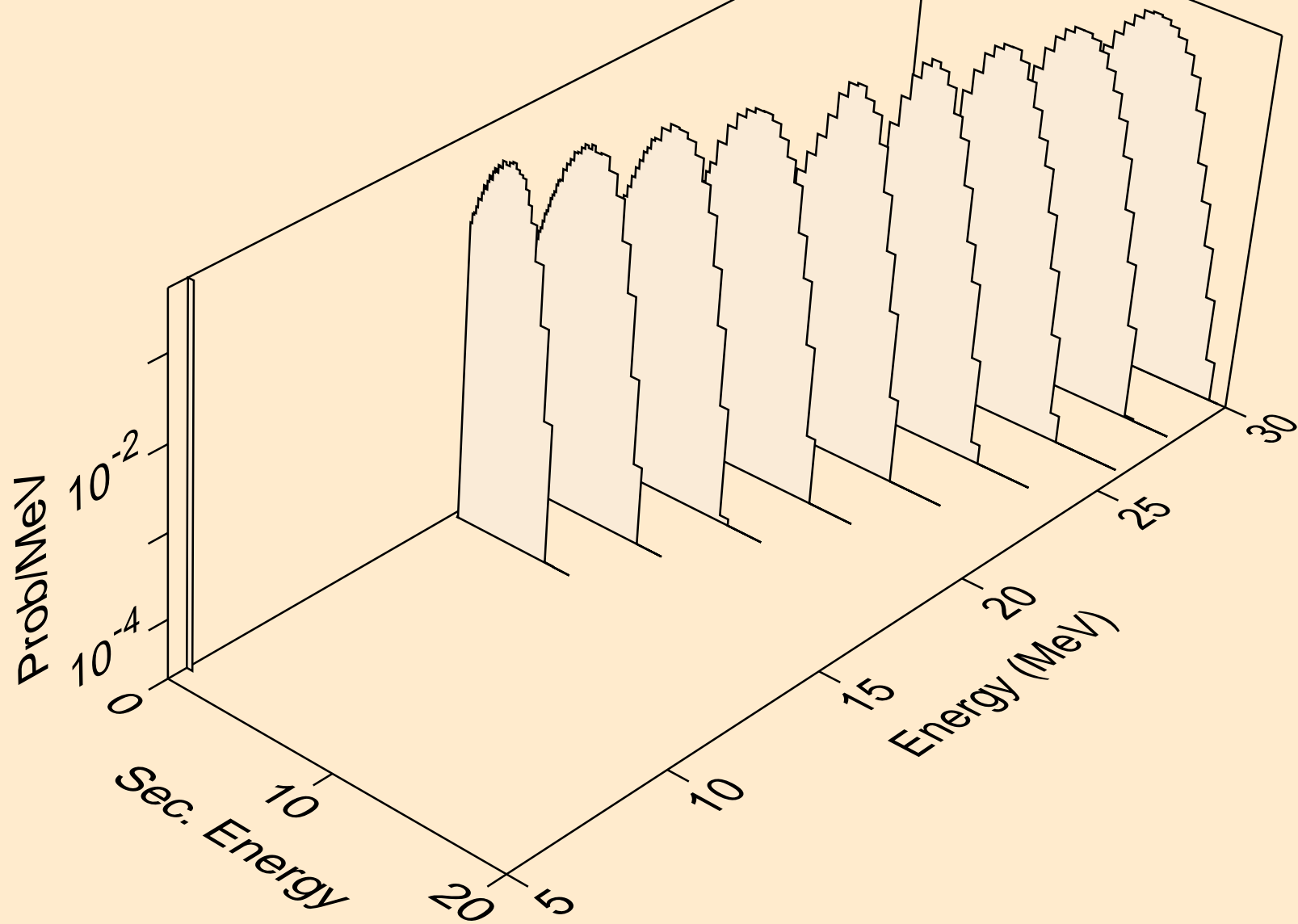
HG213 HELION ACER TENDL-2021 LIBRARY; T=0.K
deuterons from (s,n*)d



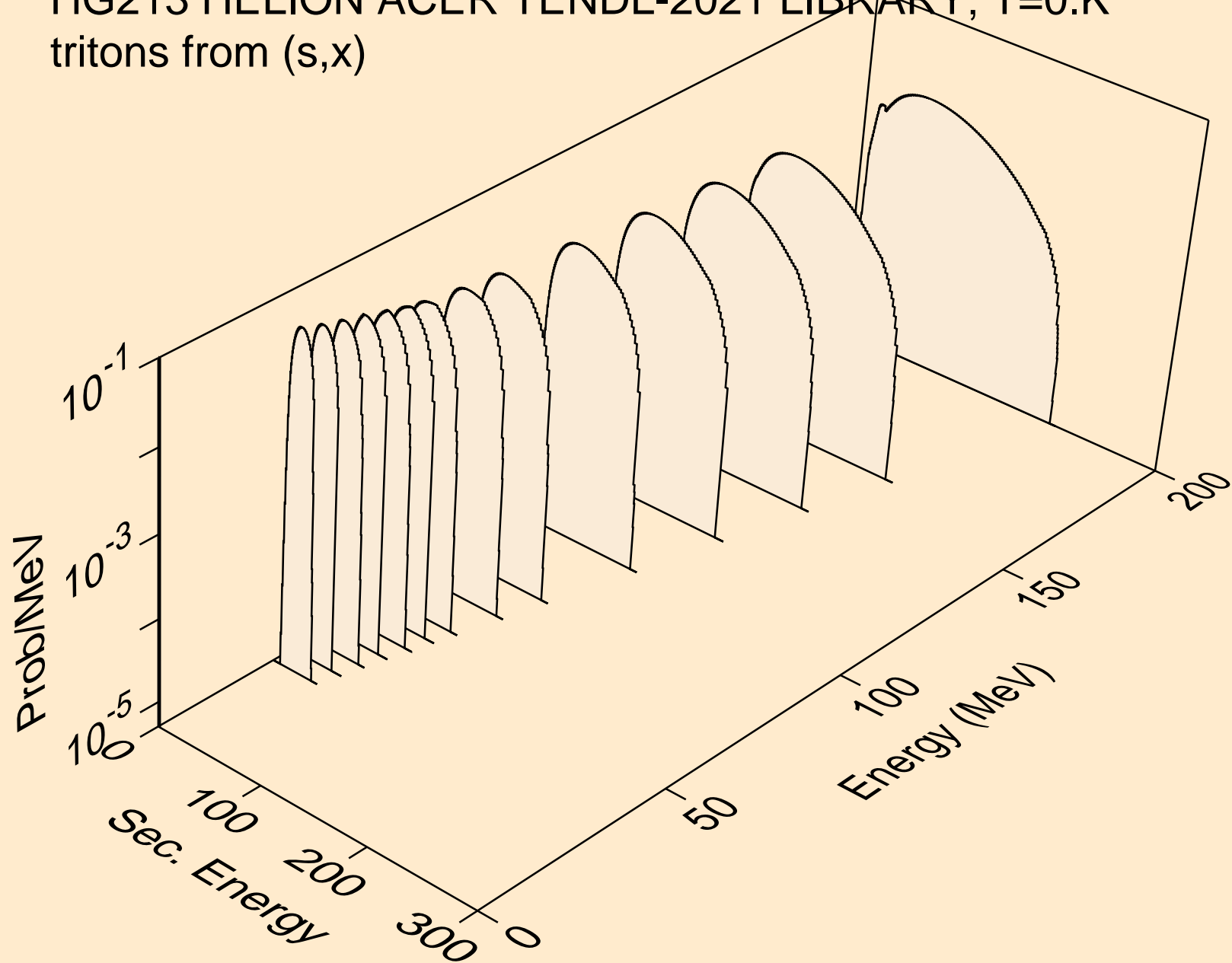
HG213 HELION ACER TENDL-2021 LIBRARY; T=0.K
deuterons from (s,d)



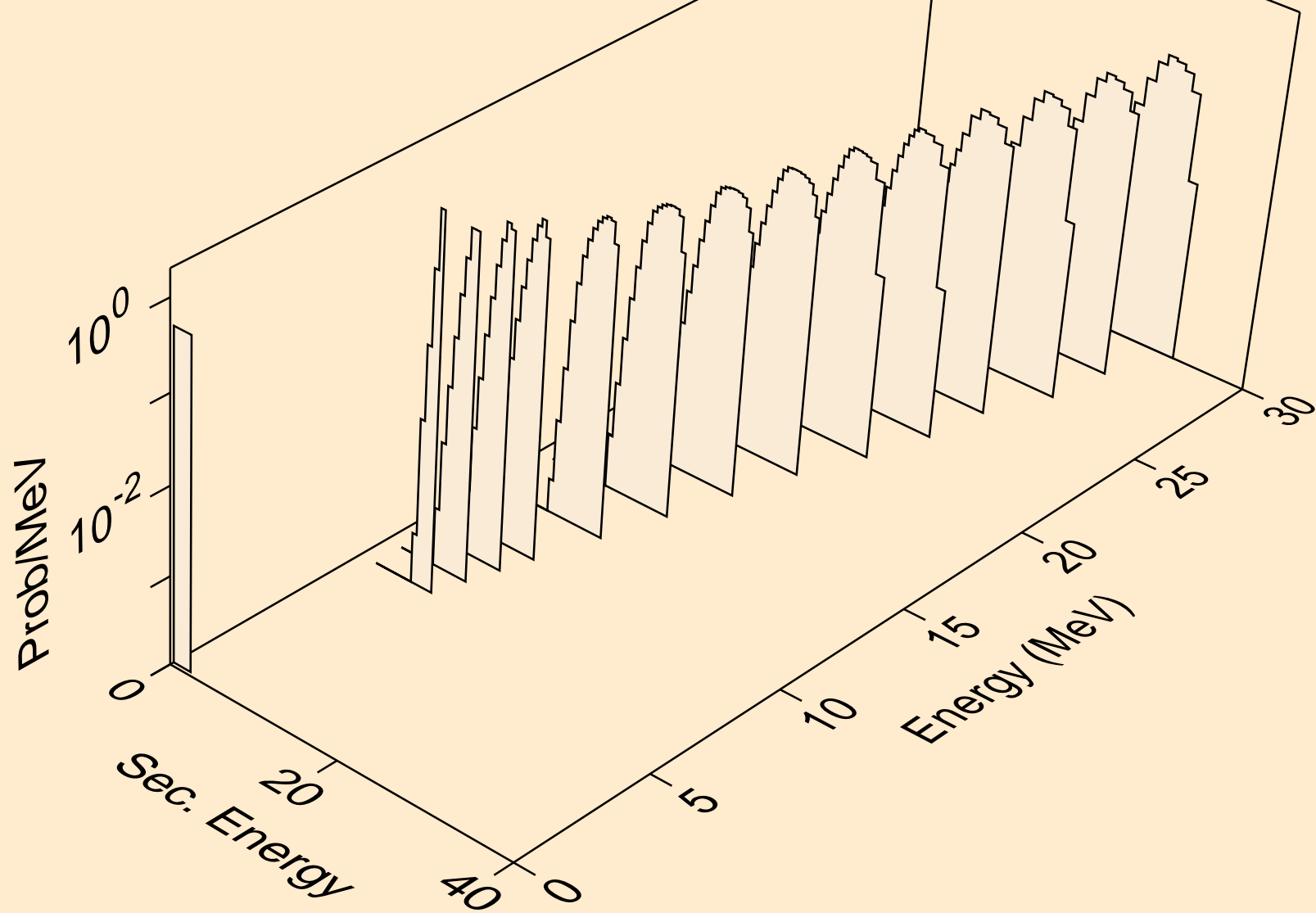
HG213 HELION ACER TENDL-2021 LIBRARY; T=0.K
deuterons from (s,pd)



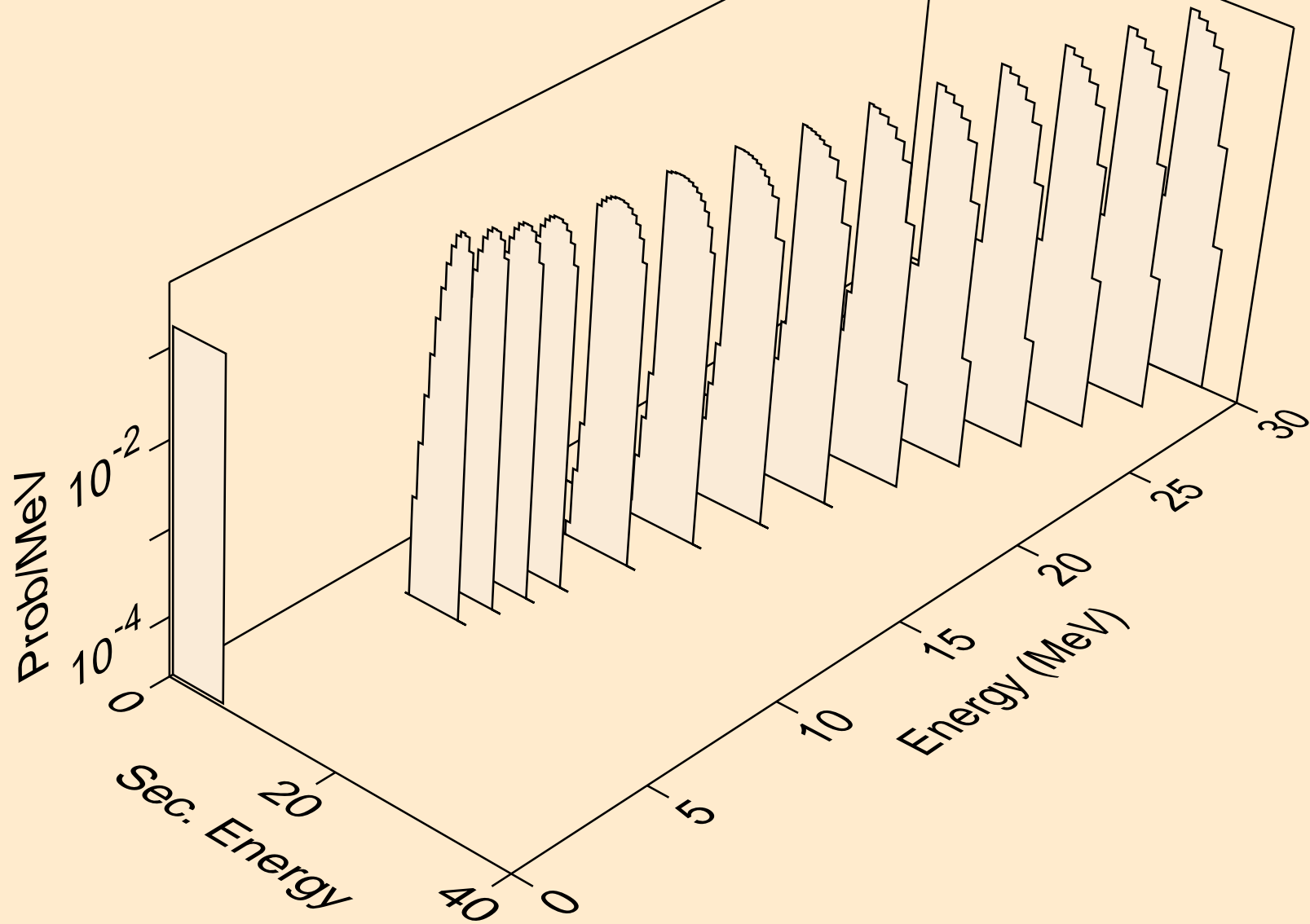
HG213 HELION ACER TENDL-2021 LIBRARY; T=0.K
tritons from (s,x)



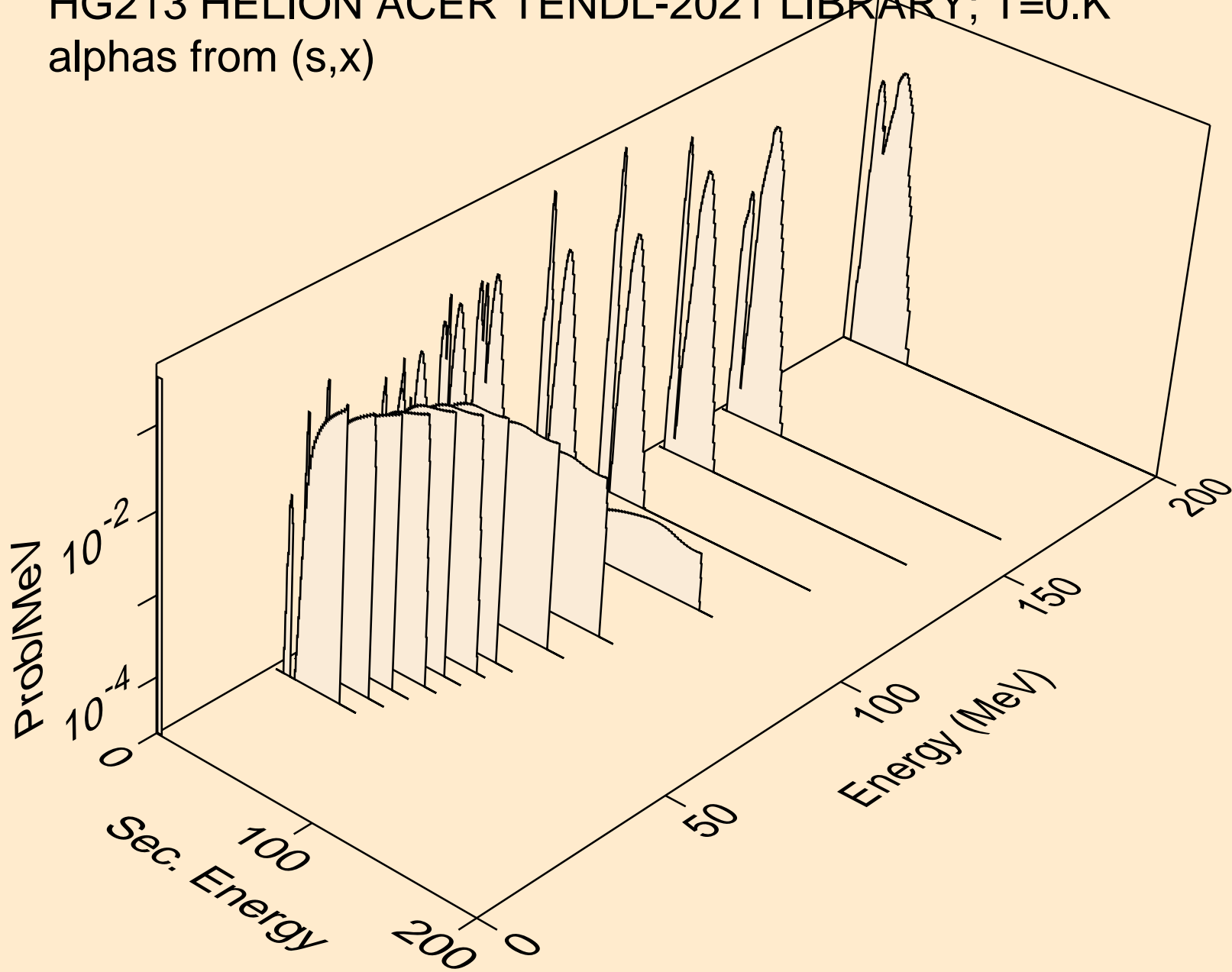
HG213 HELION ACER TENDL-2021 LIBRARY; T=0.K
tritons from (s,n*)t



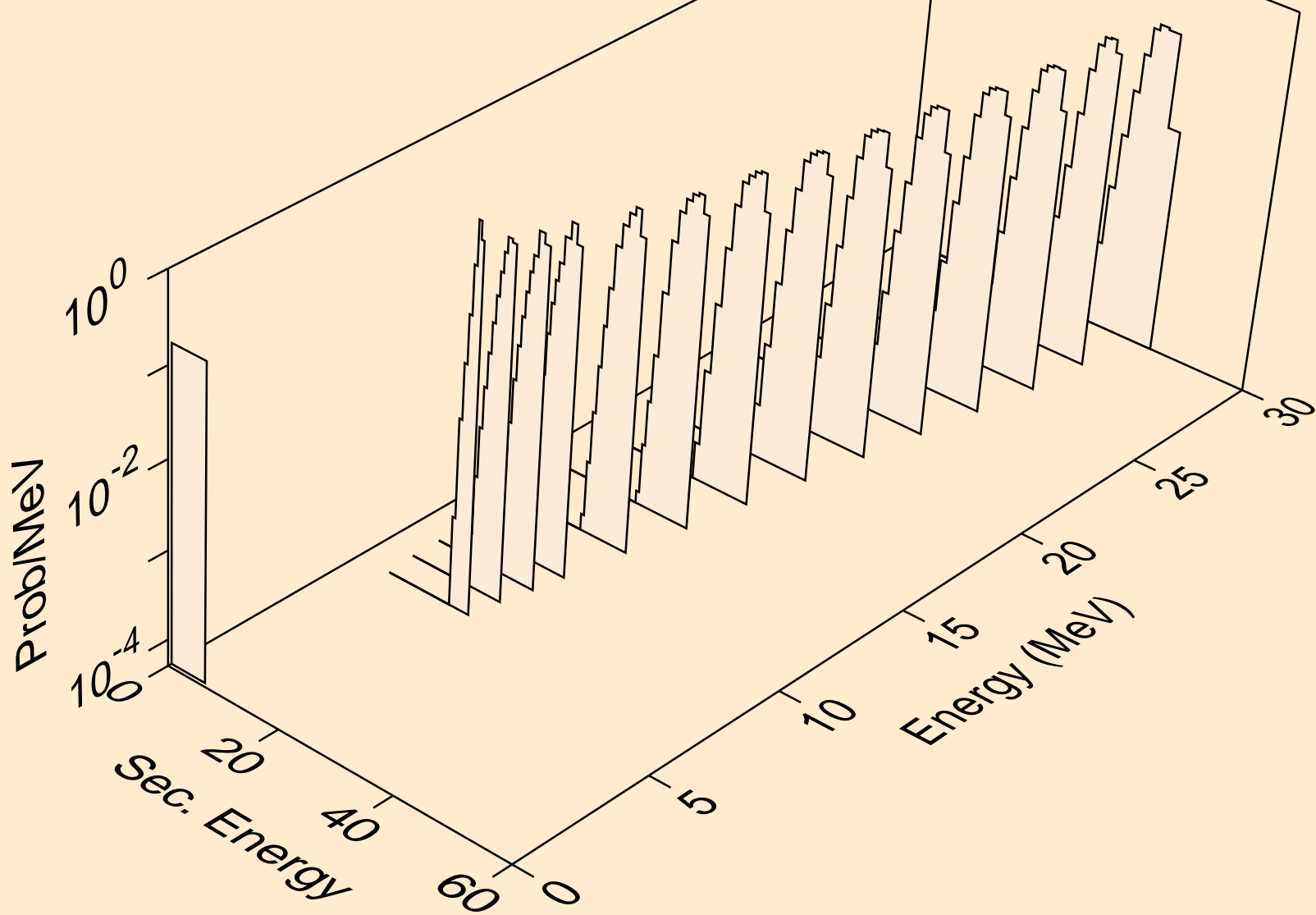
HG213 HELION ACER TENDL-2021 LIBRARY; T=0.K
tritons from (s,t)



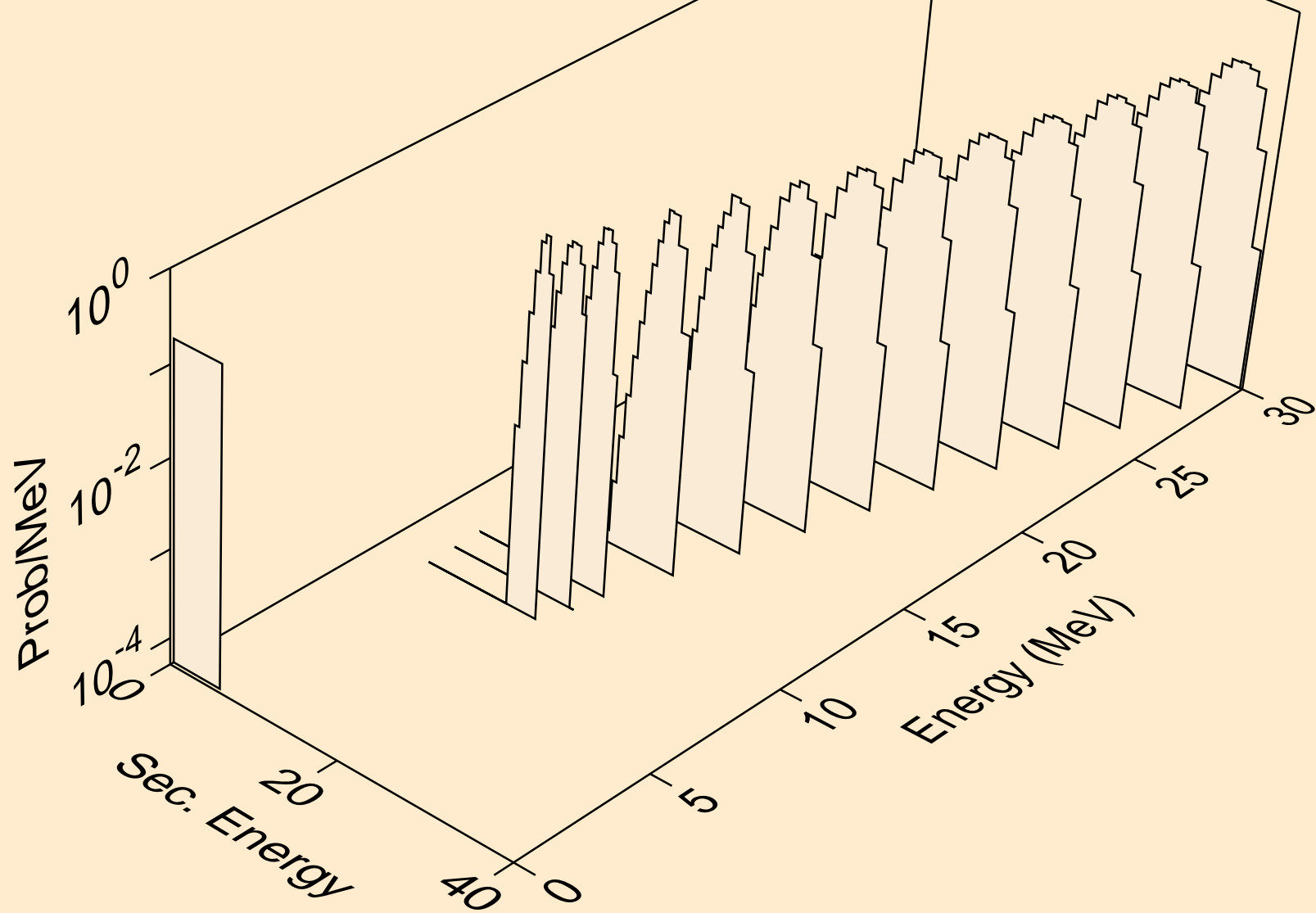
HG213 HELION ACER TENDL-2021 LIBRARY; T=0.K
alphas from (s,x)



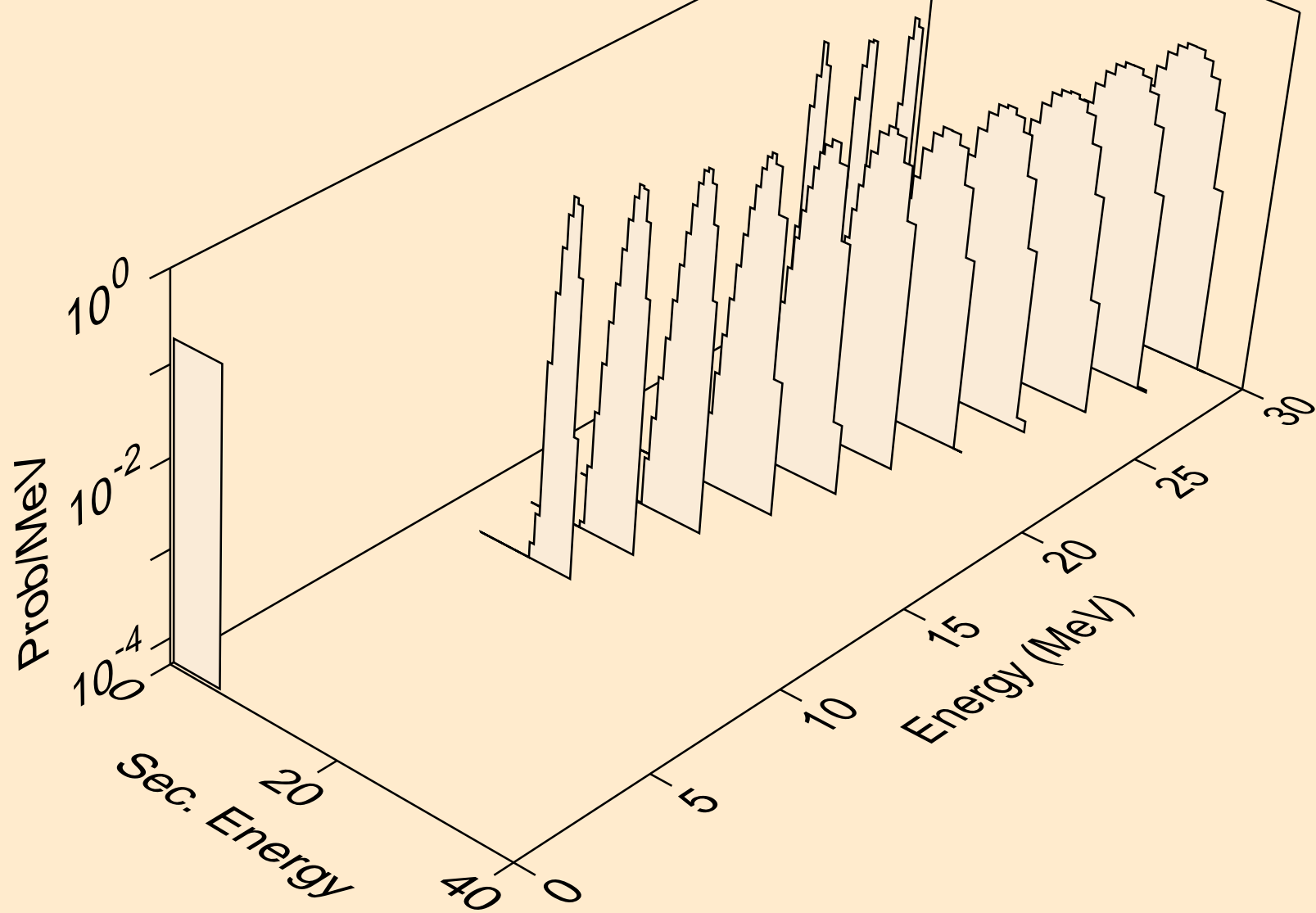
HG213 HELION ACER TENDL-2021 LIBRARY; T=0.K
alphas from (s,n*)a



HG213 HELION ACER TENDL-2021 LIBRARY; T=0.K
alphas from (s,2n)a



HG213 HELION ACER TENDL-2021 LIBRARY; T=0.K
alphas from (s,3n)a



HG213 HELION ACER TENDL-2021 LIBRARY; T=0.K
alphas from (s,a)

