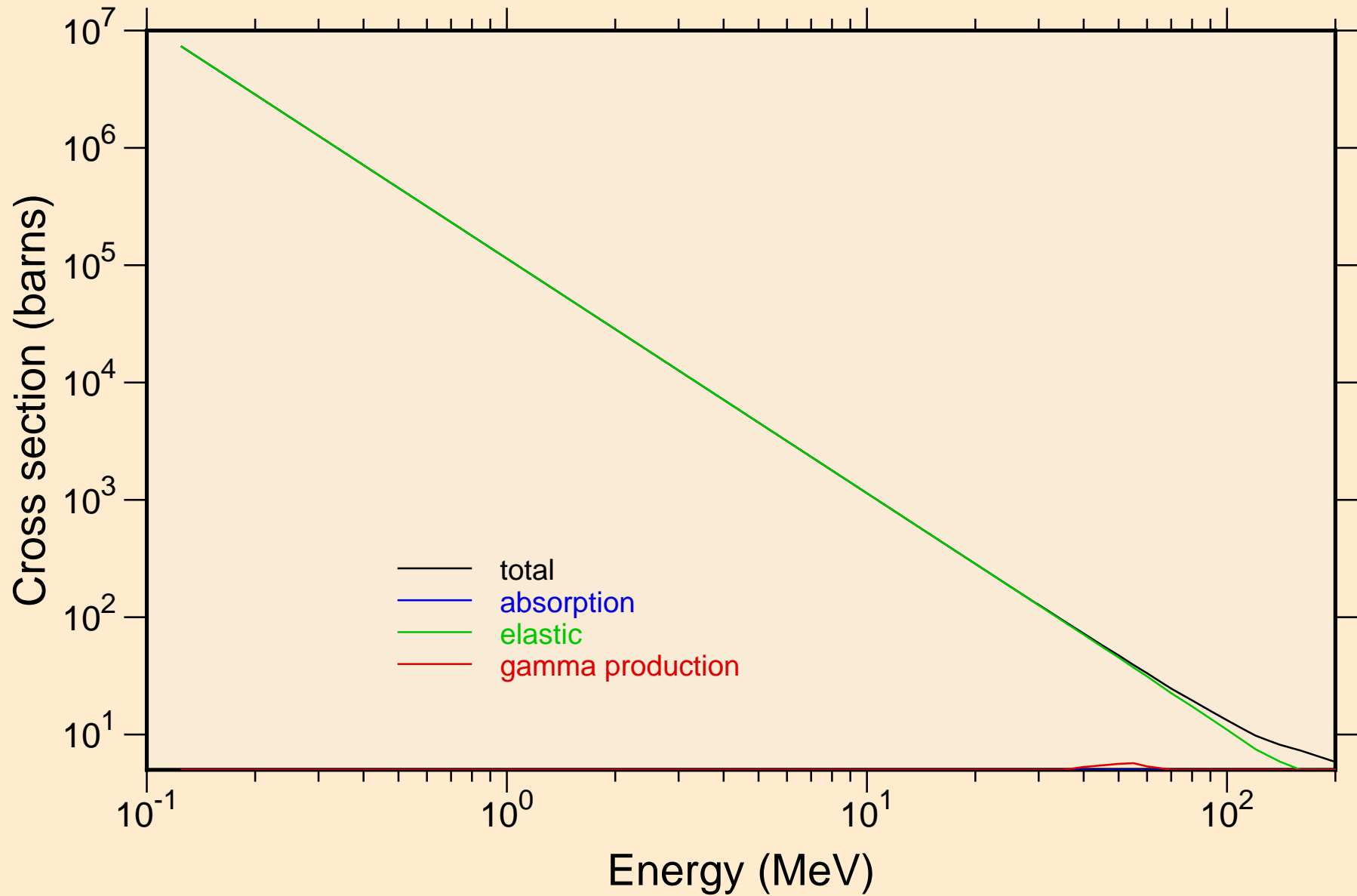
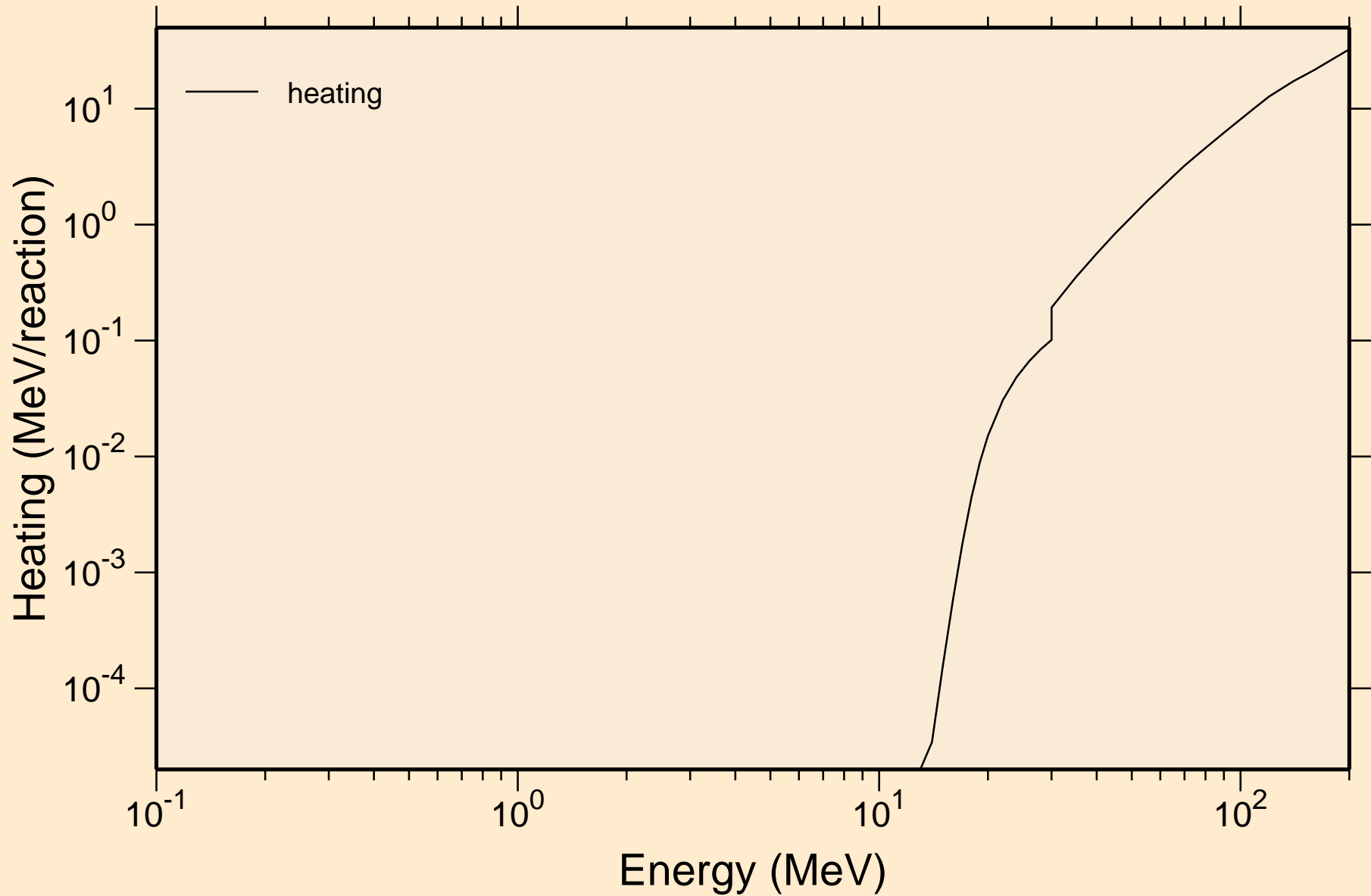


HO175 HELION ACER TENDL-2021 LIBRARY; T=0.K  
Principal cross sections



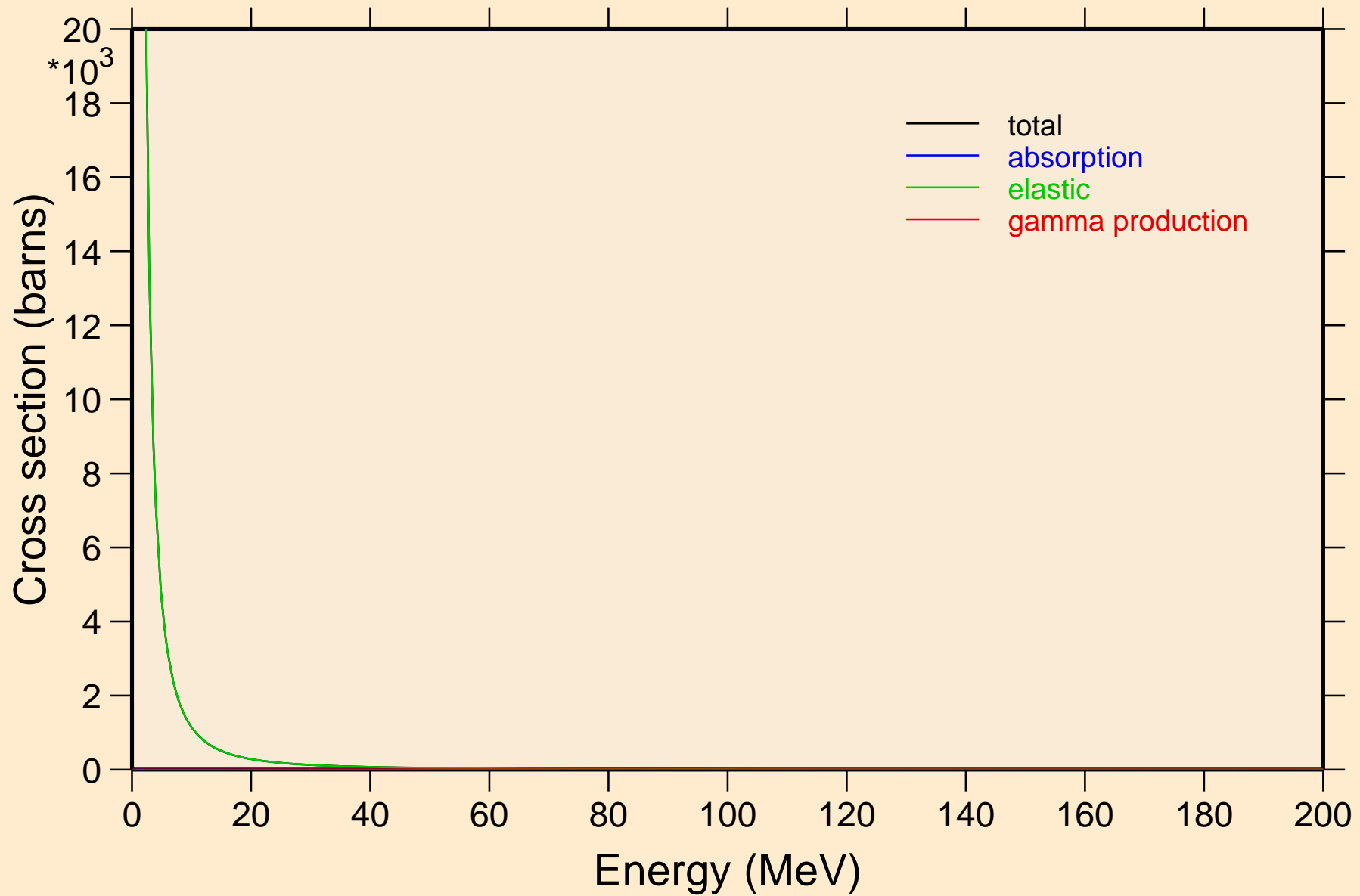
HO175 HELION ACER TENDL-2021 LIBRARY; T=0.K

Heating



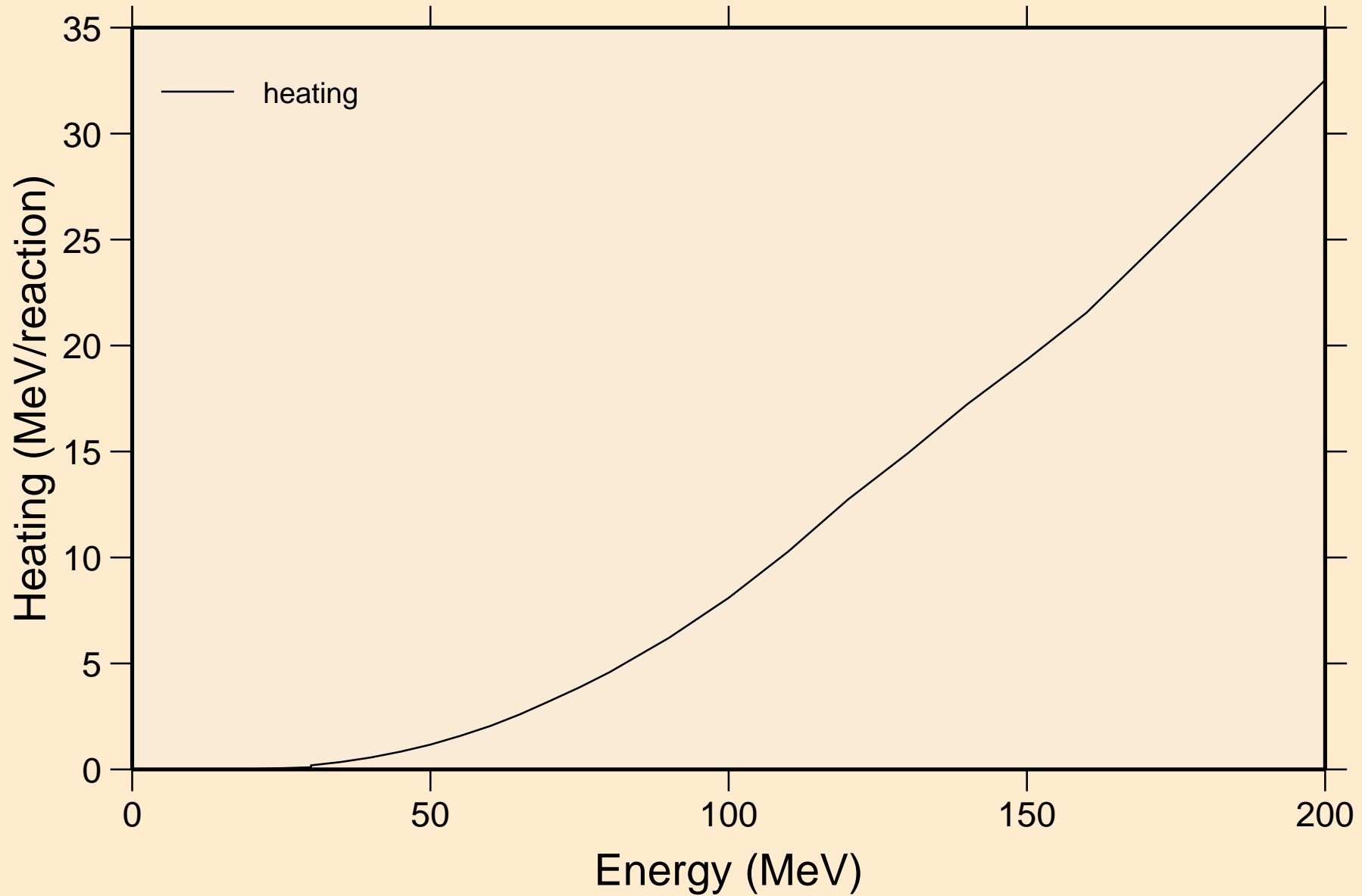
# HO175 HELION ACER TENDL-2021 LIBRARY; T=0.K

## Principal cross sections



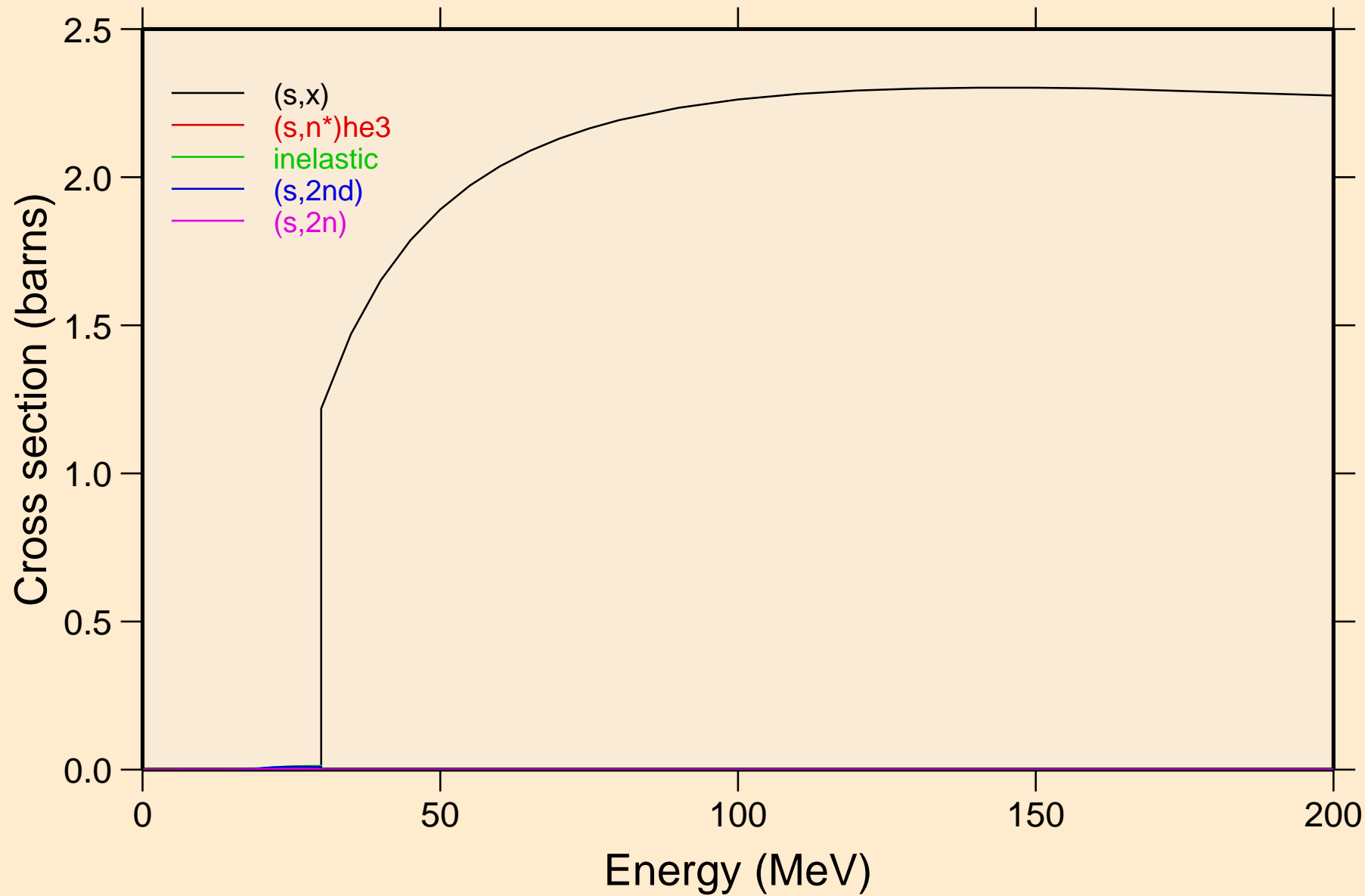
HO175 HELION ACER TENDL-2021 LIBRARY; T=0.K

Heating

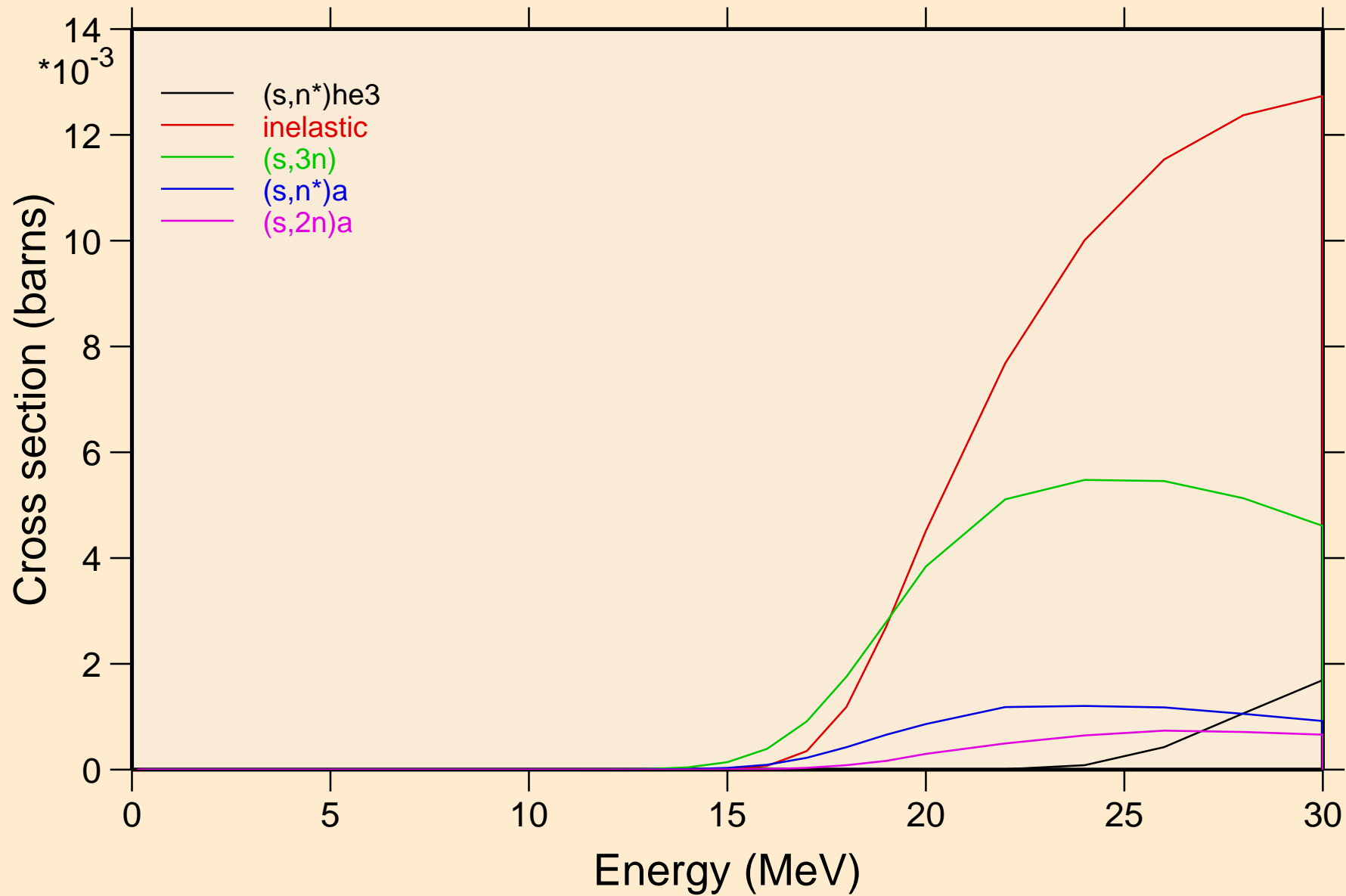


# HO175 HELION ACER TENDL-2021 LIBRARY; T=0.K

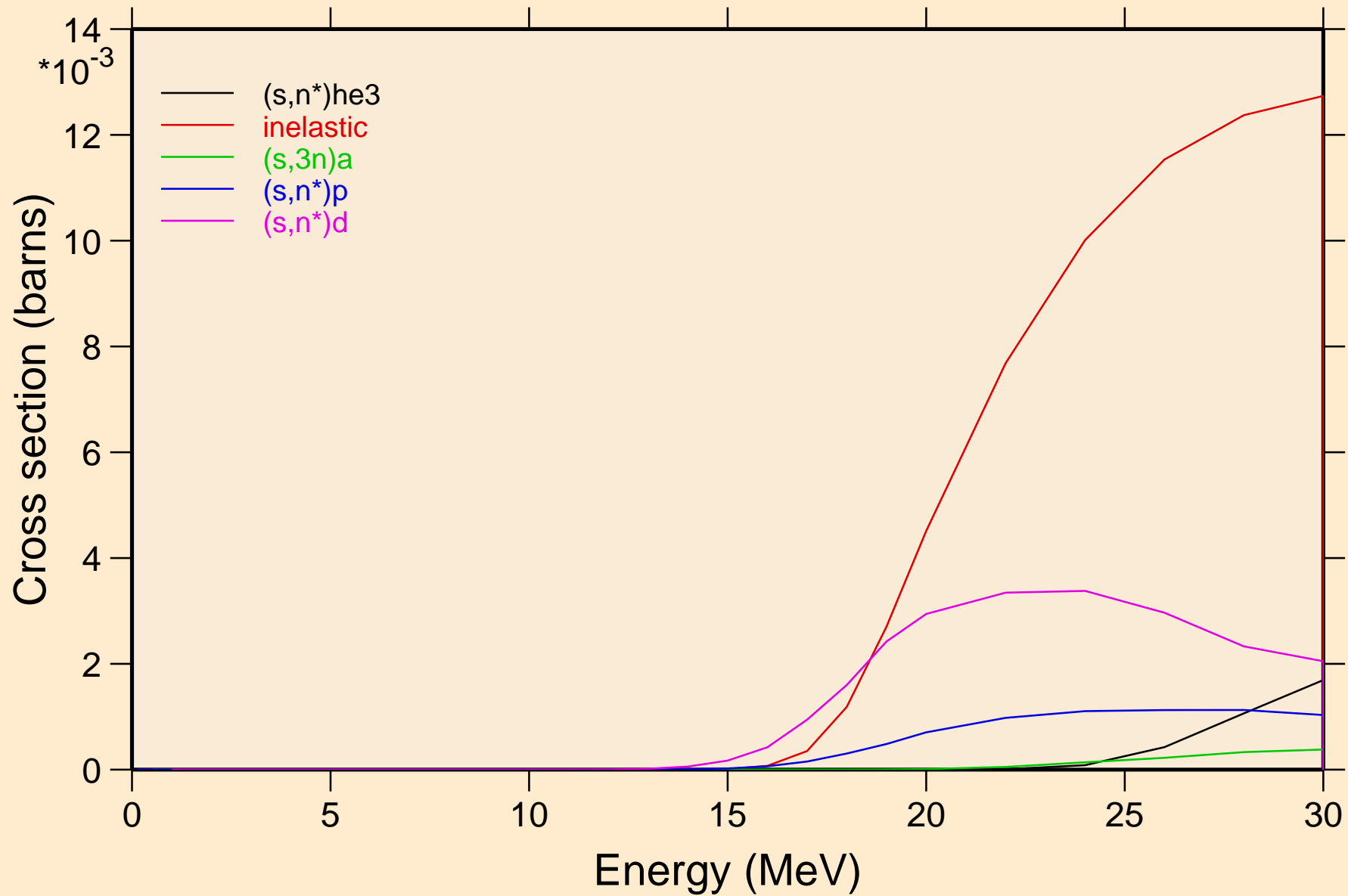
## Threshold reactions



HO175 HELION ACER TENDL-2021 LIBRARY; T=0.K  
Threshold reactions

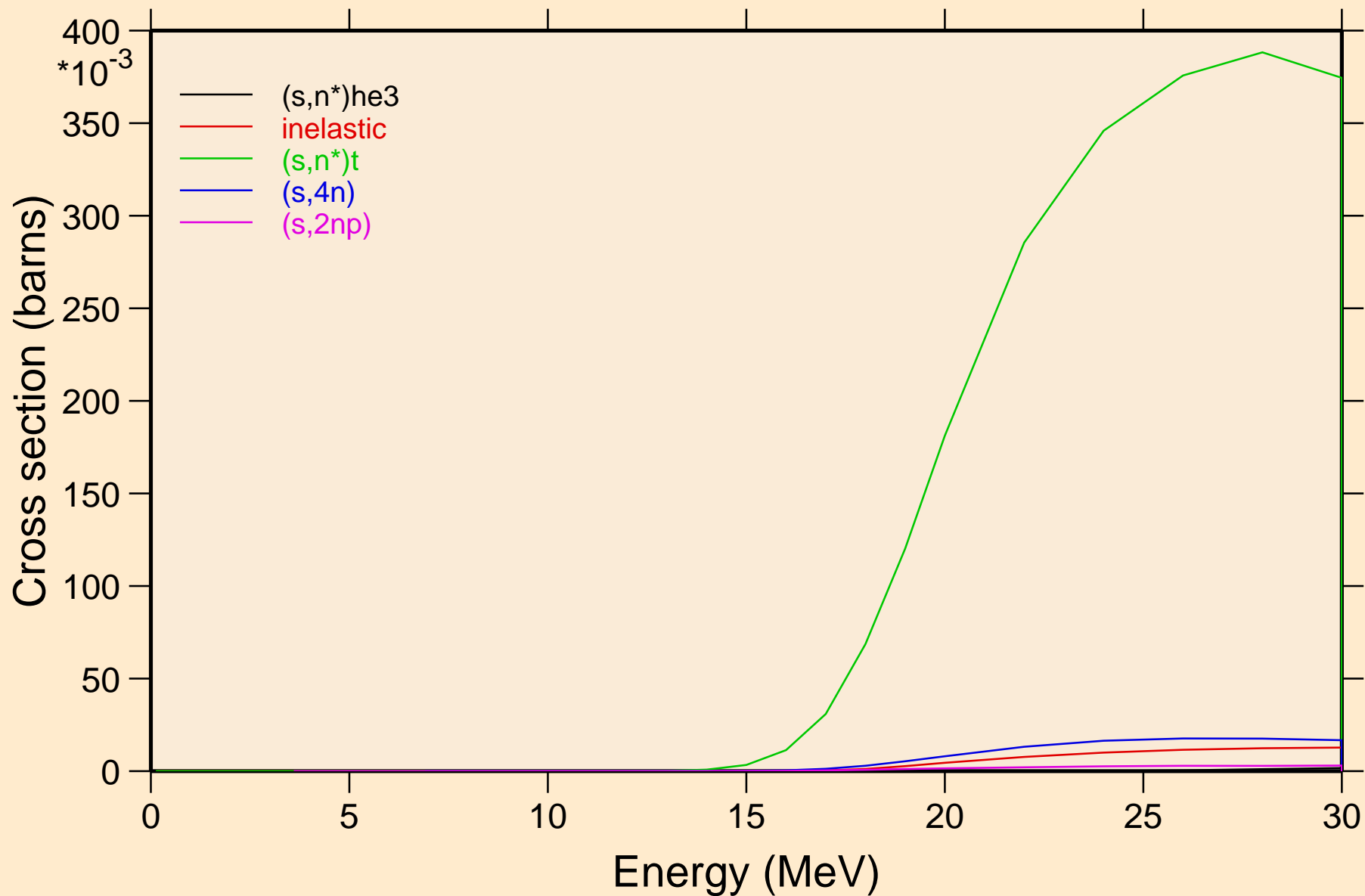


HO175 HELION ACER TENDL-2021 LIBRARY; T=0.K  
Threshold reactions



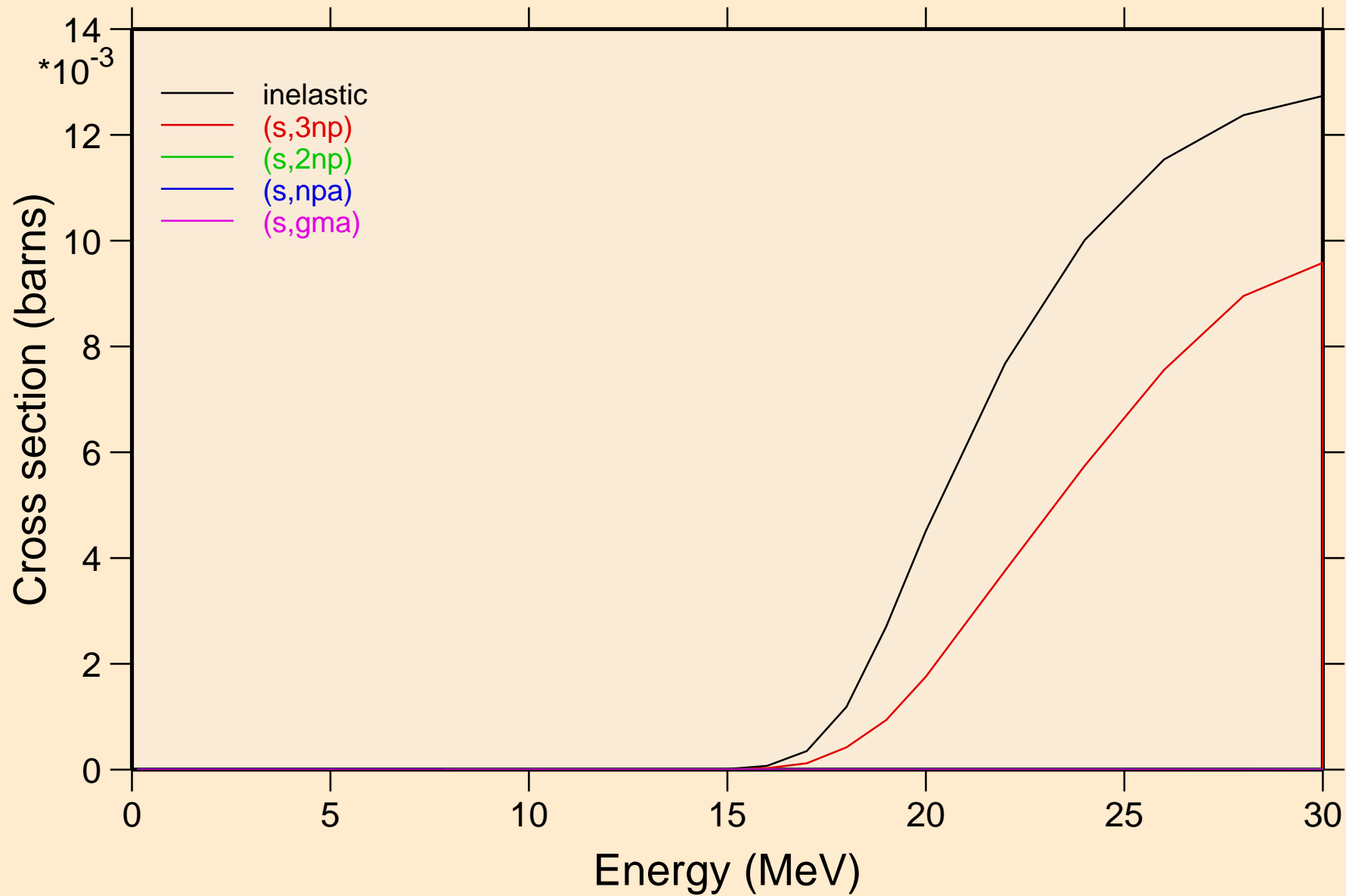
# HO175 HELION ACER TENDL-2021 LIBRARY; T=0.K

## Threshold reactions

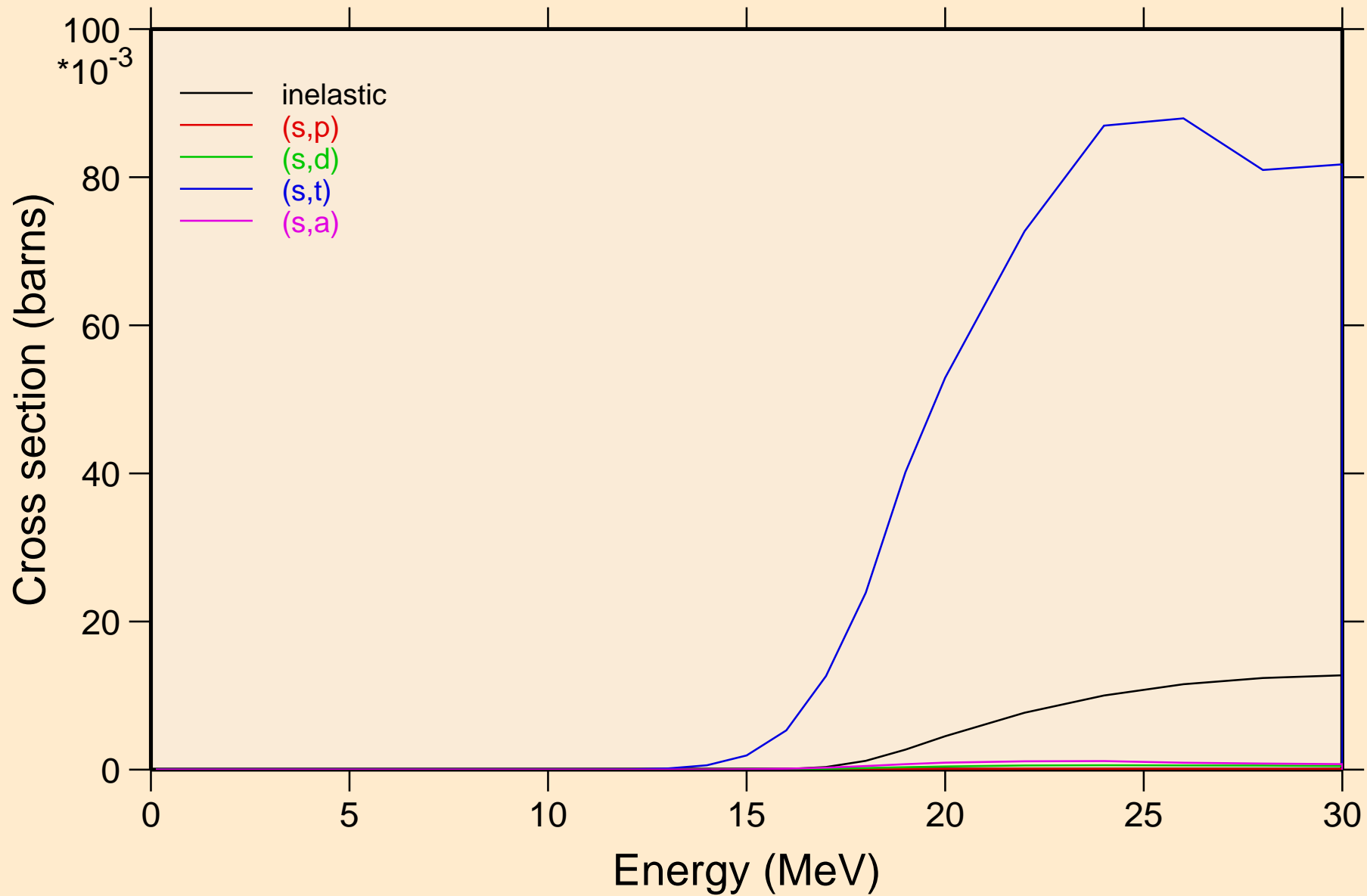




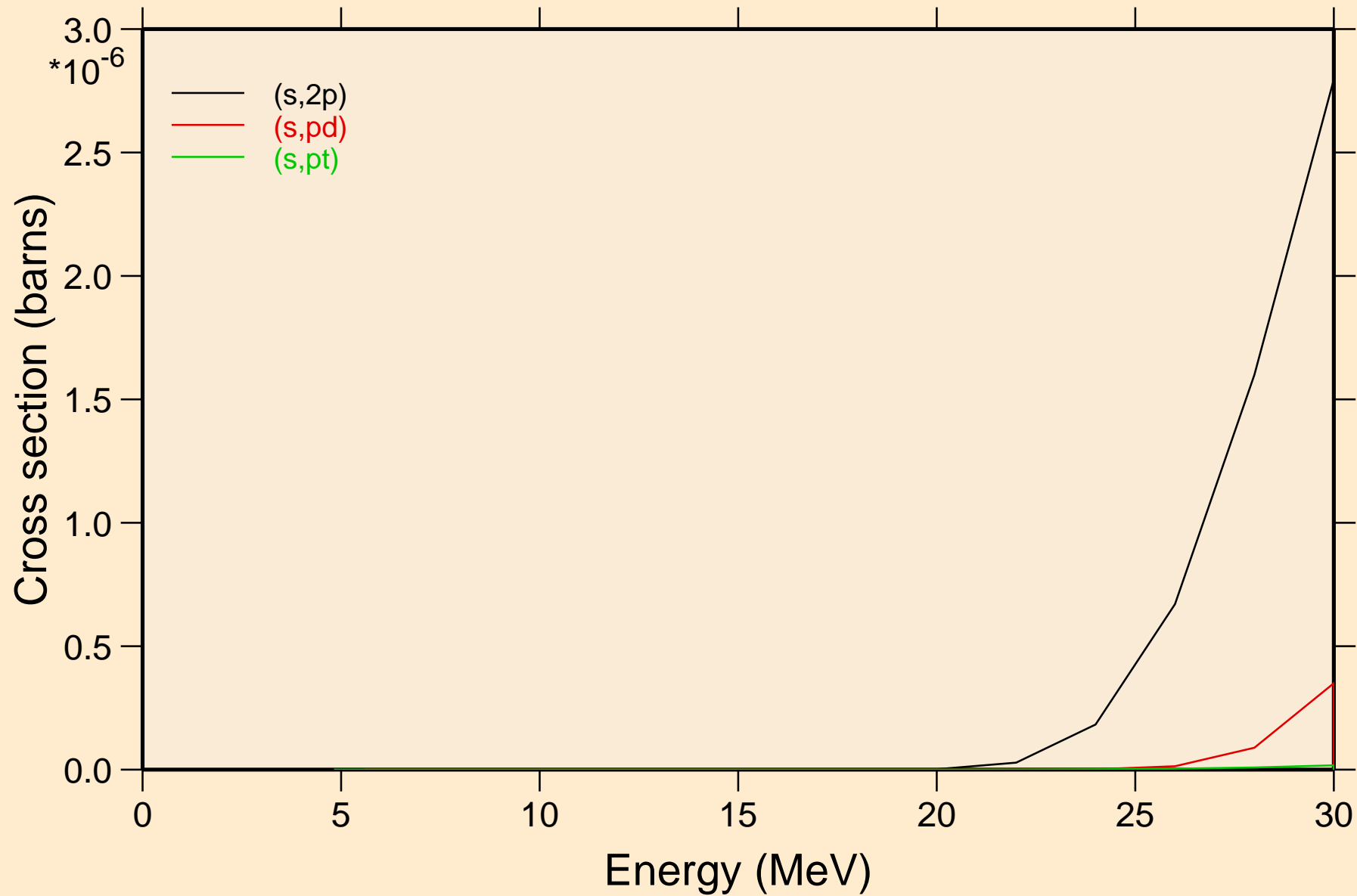
HO175 HELION ACER TENDL-2021 LIBRARY; T=0.K  
Threshold reactions



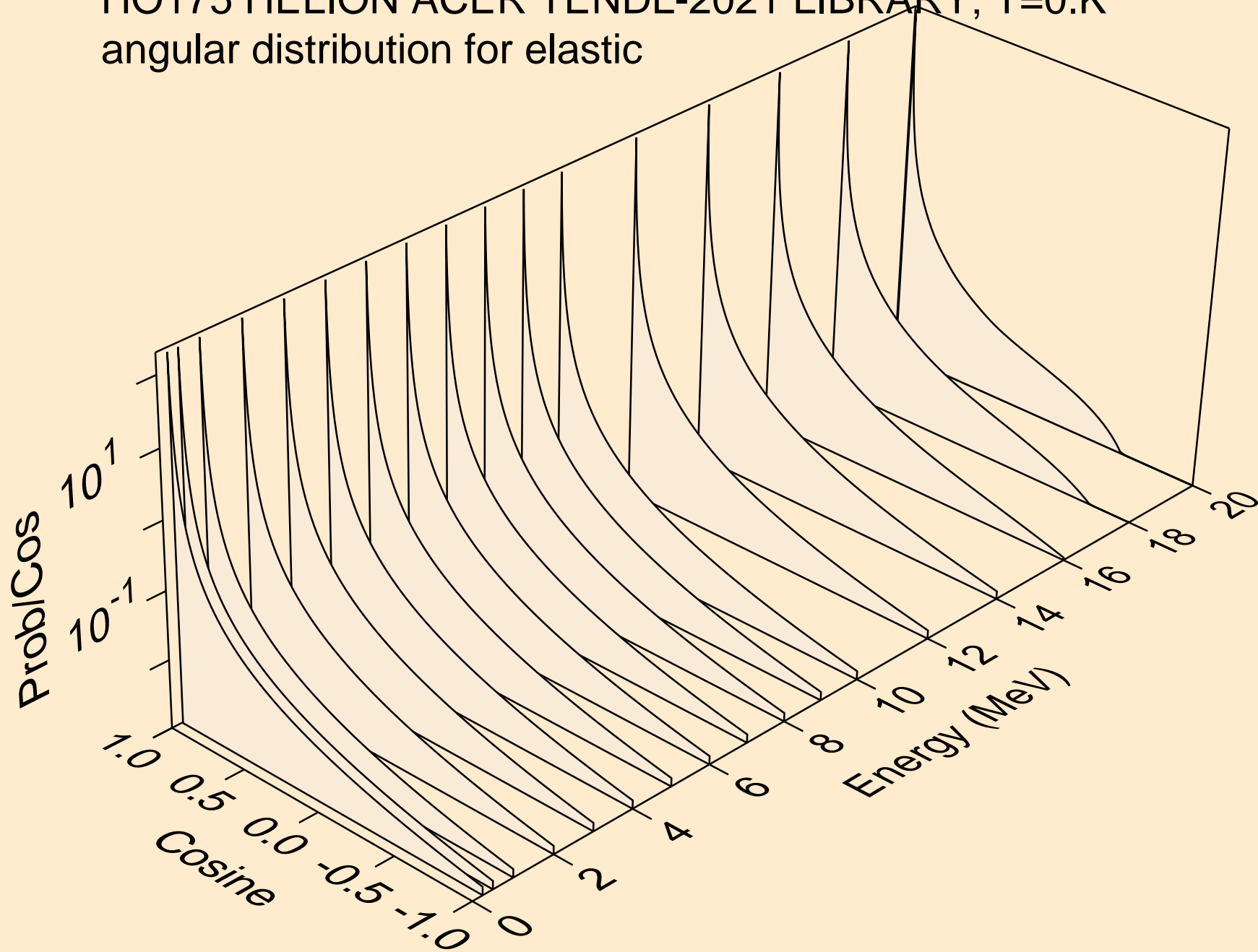
HO175 HELION ACER TENDL-2021 LIBRARY; T=0.K  
Threshold reactions



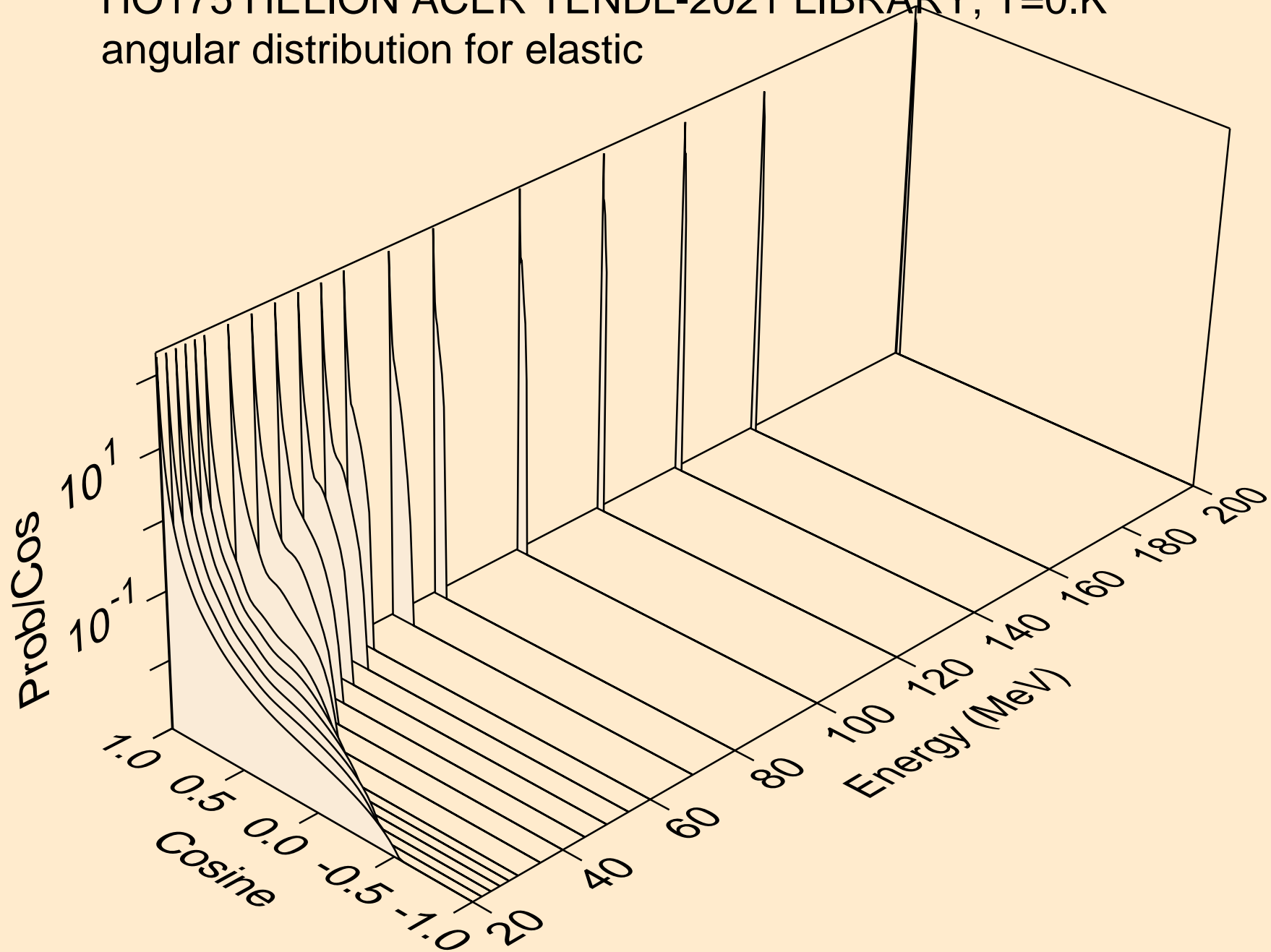
HO175 HELION ACER TENDL-2021 LIBRARY; T=0.K  
Threshold reactions



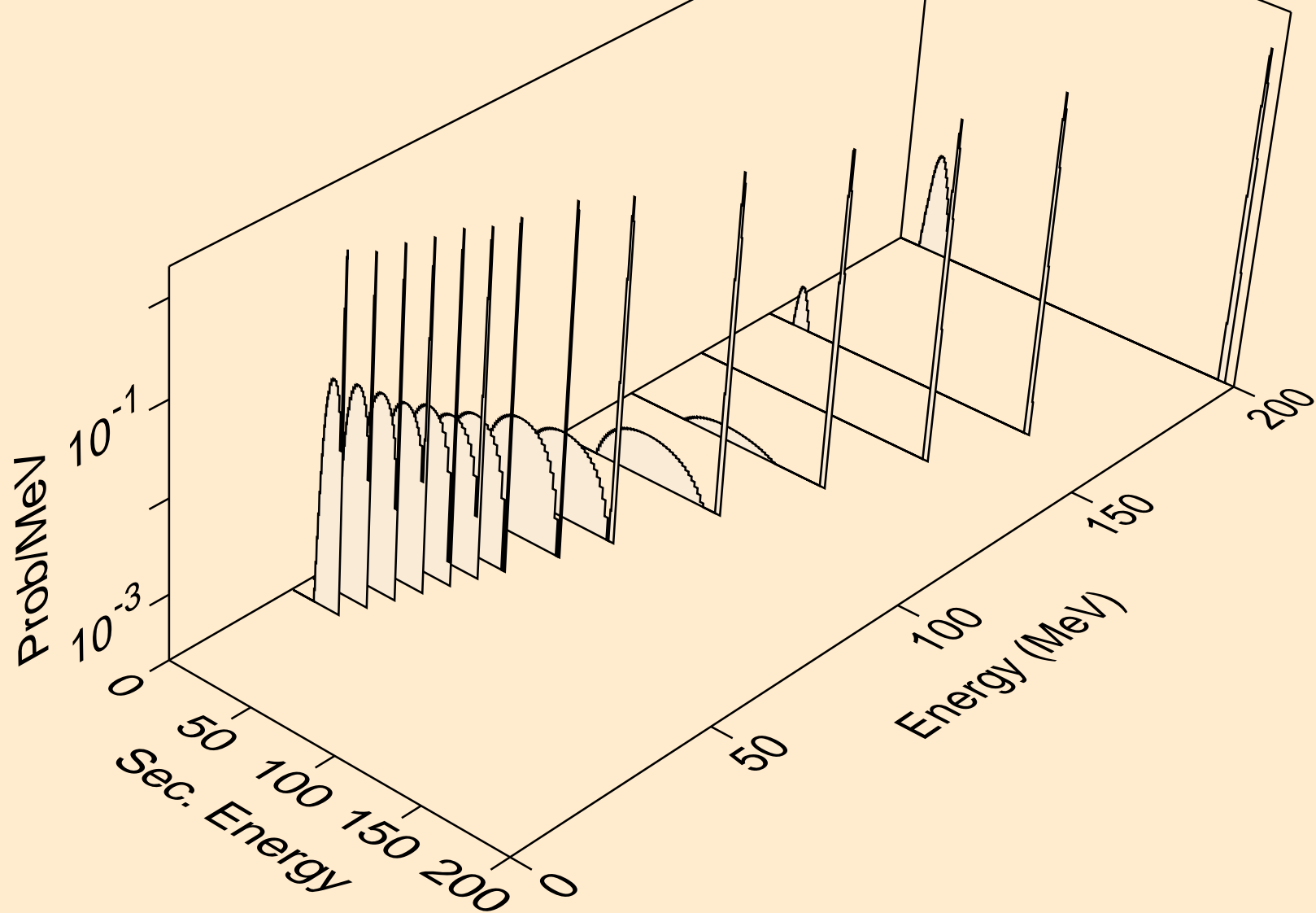
HO175 HELION ACER TENDL-2021 LIBRARY; T=0.K  
angular distribution for elastic



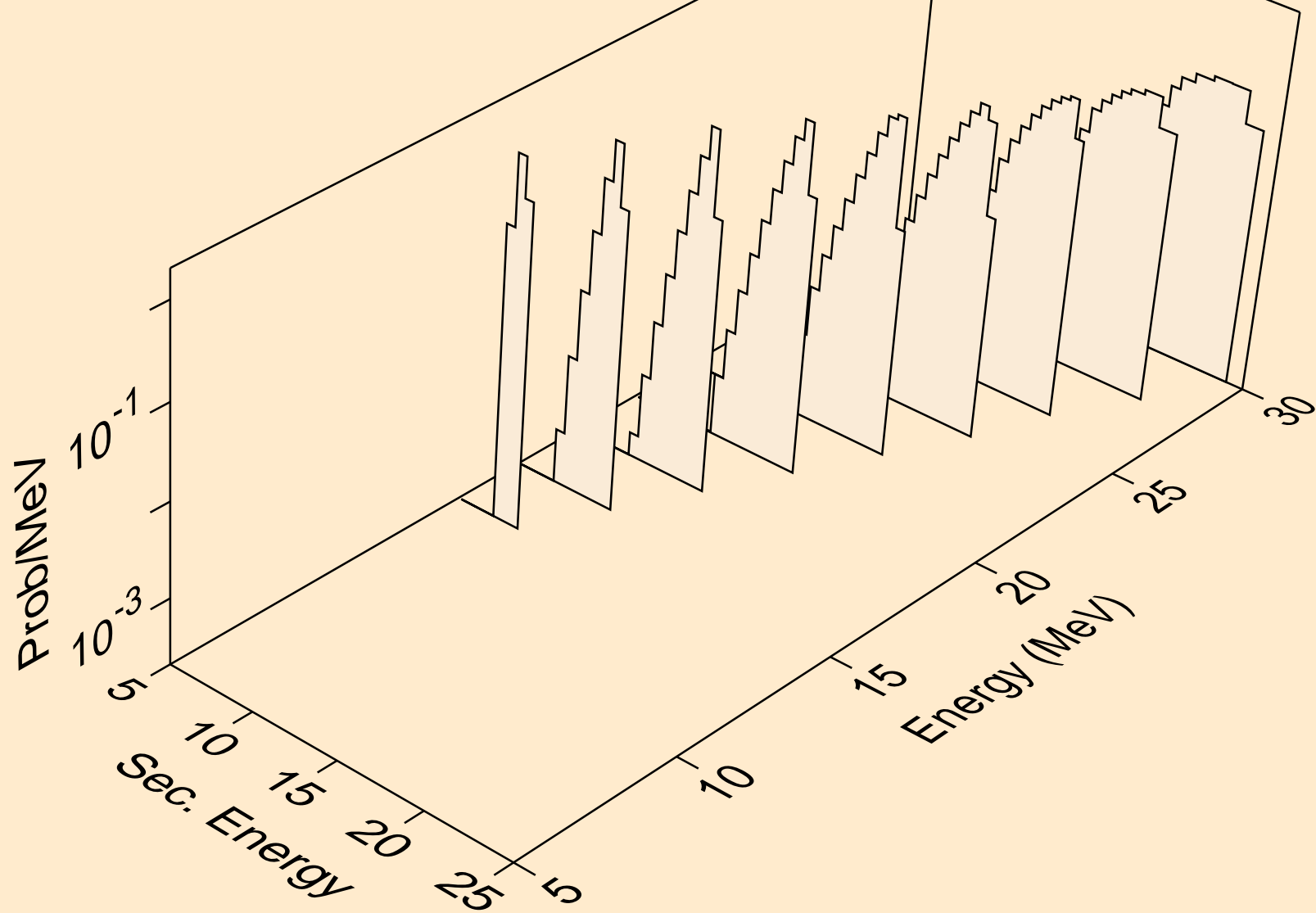
HO175 HELION ACER TENDL-2021 LIBRARY; T=0.K  
angular distribution for elastic



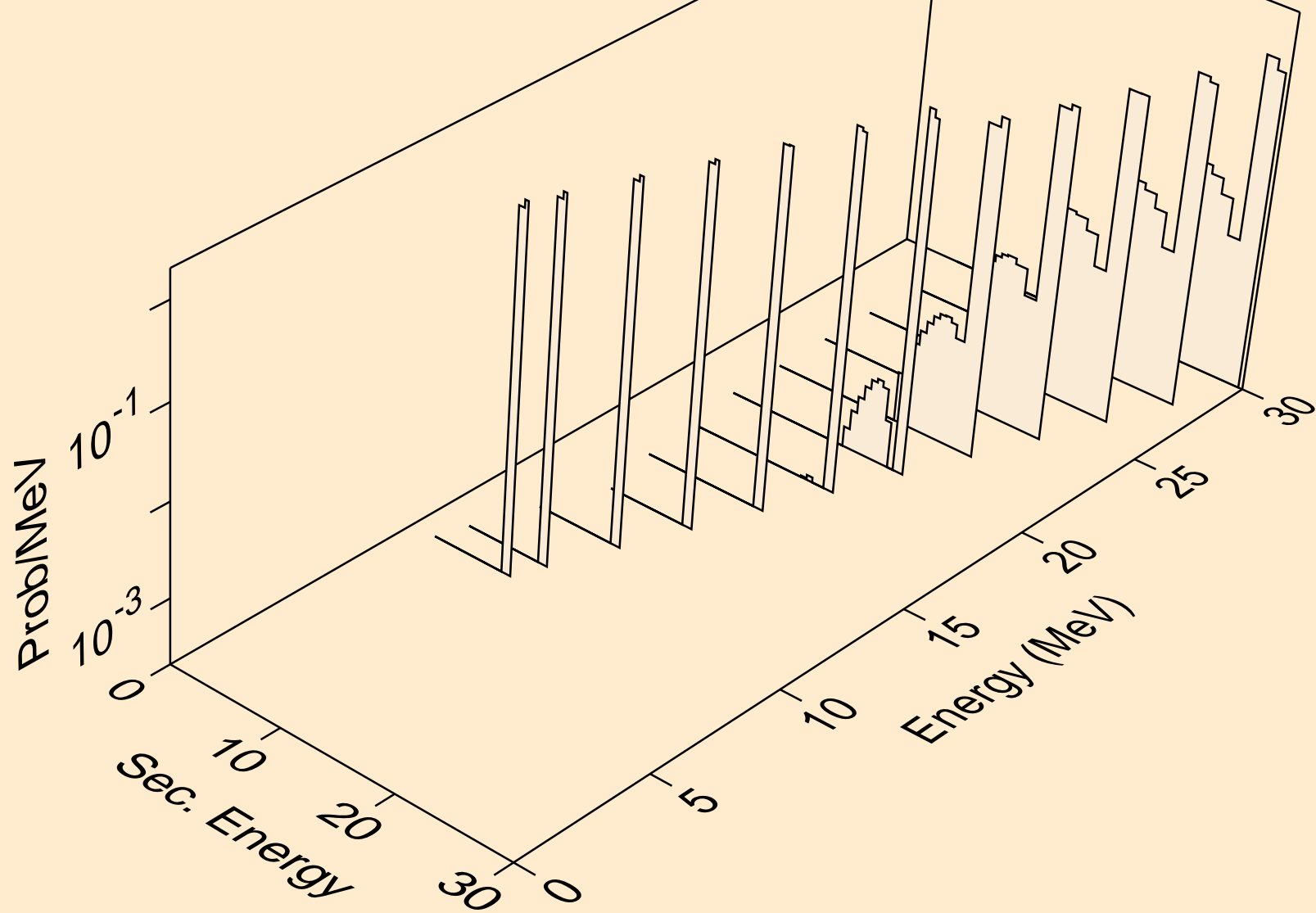
HO175 HELION ACER TENDL-2021 LIBRARY; T=0.K  
He-3 emission for (s,x)



HO175 HELION ACER TENDL-2021 LIBRARY; T=0.K  
He-3 emission for (s,n\*)he3

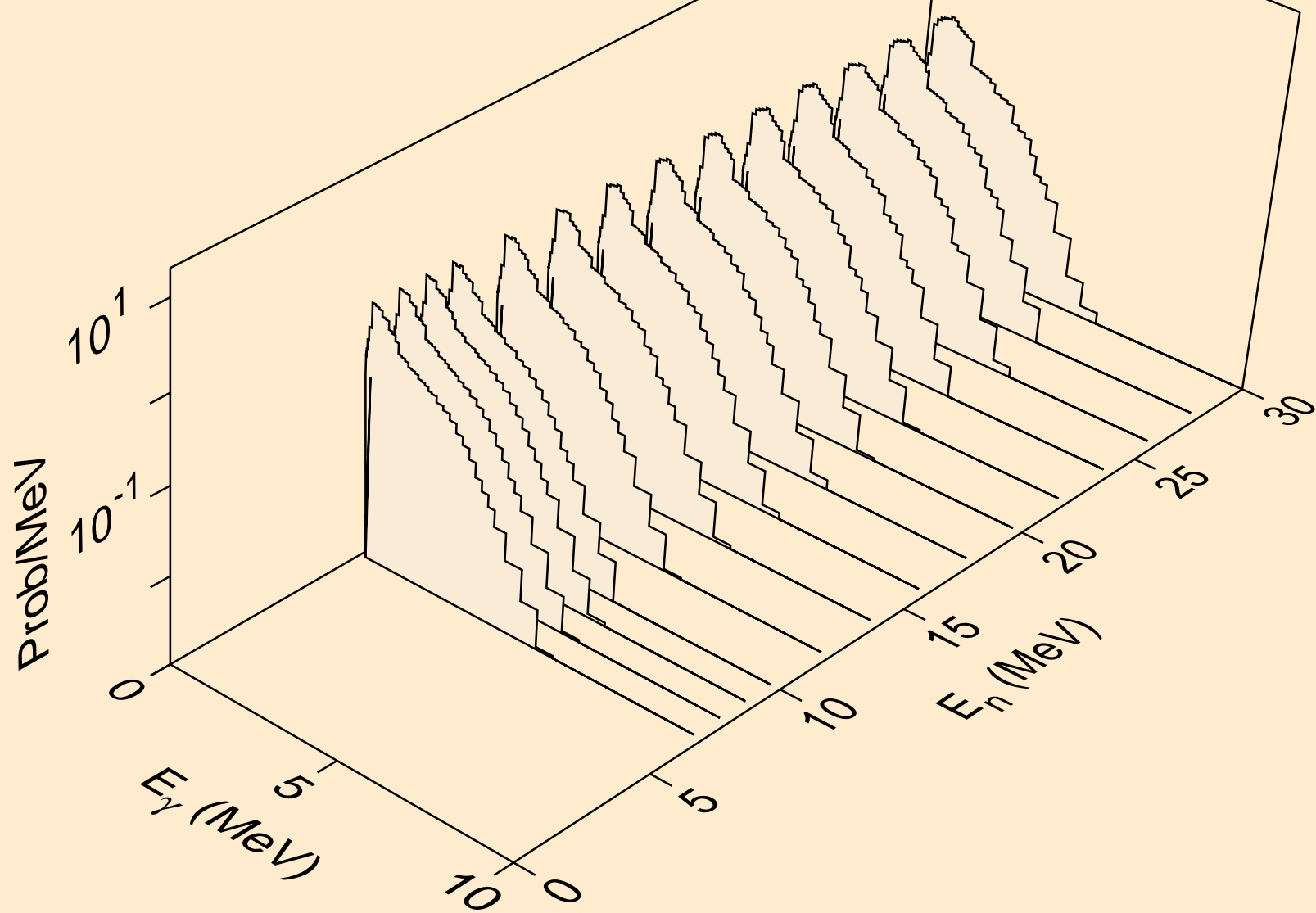


HO175 HELION ACER TENDL-2021 LIBRARY; T=0.K  
He-3 emission for inelastic

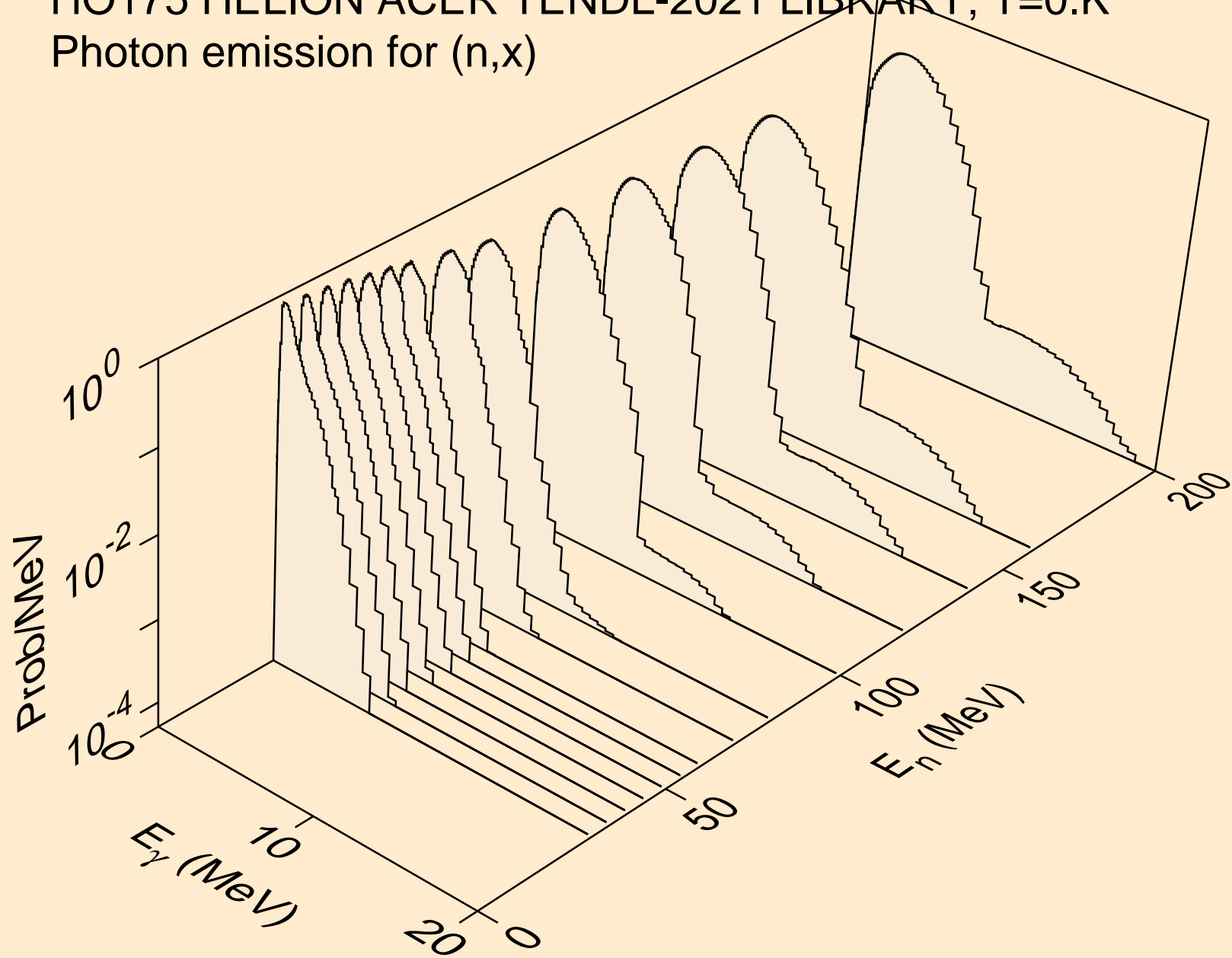




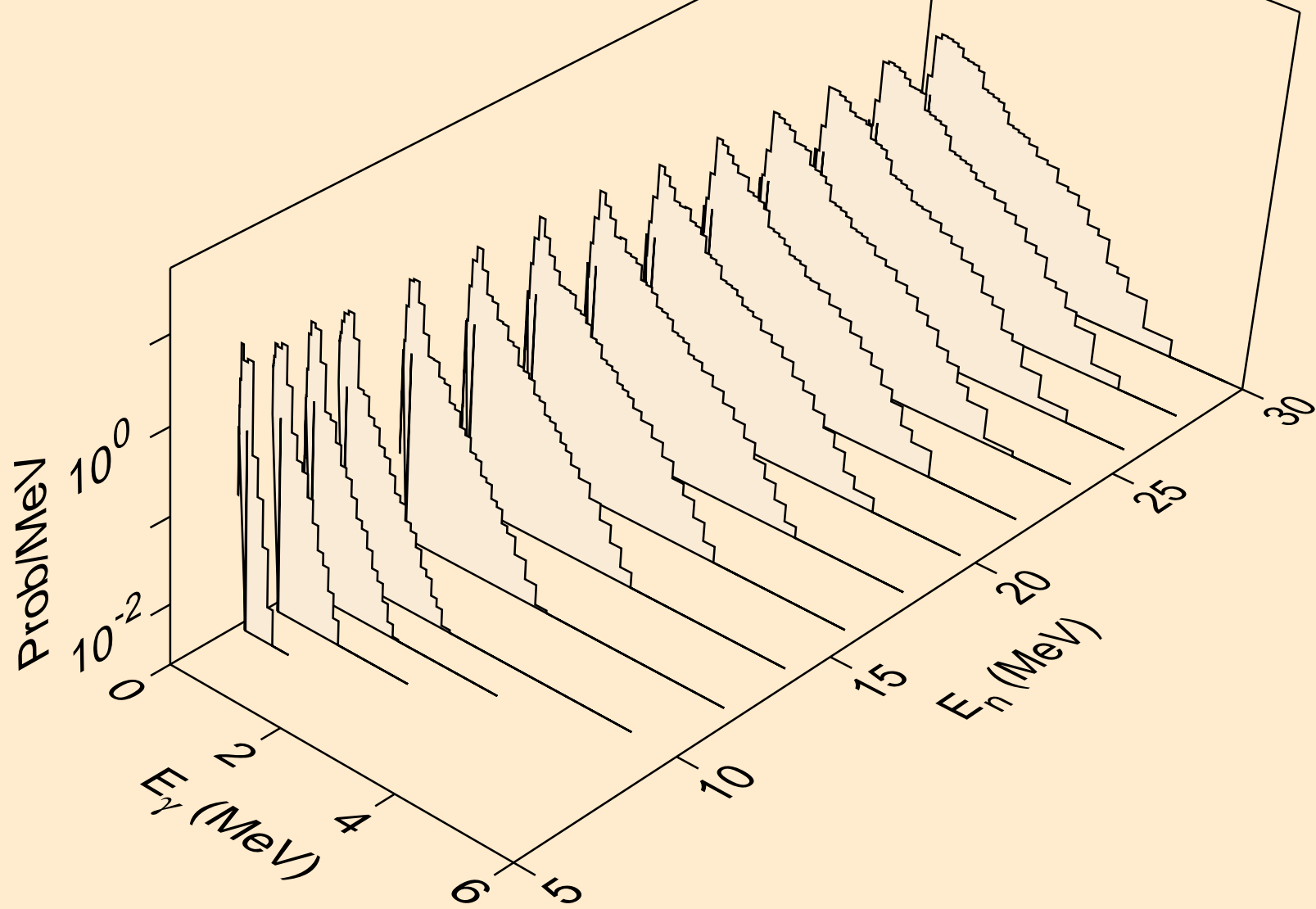
HO175 HELION ACER TENDL-2021 LIBRARY; T=0.K  
Photon emission for (z,n)



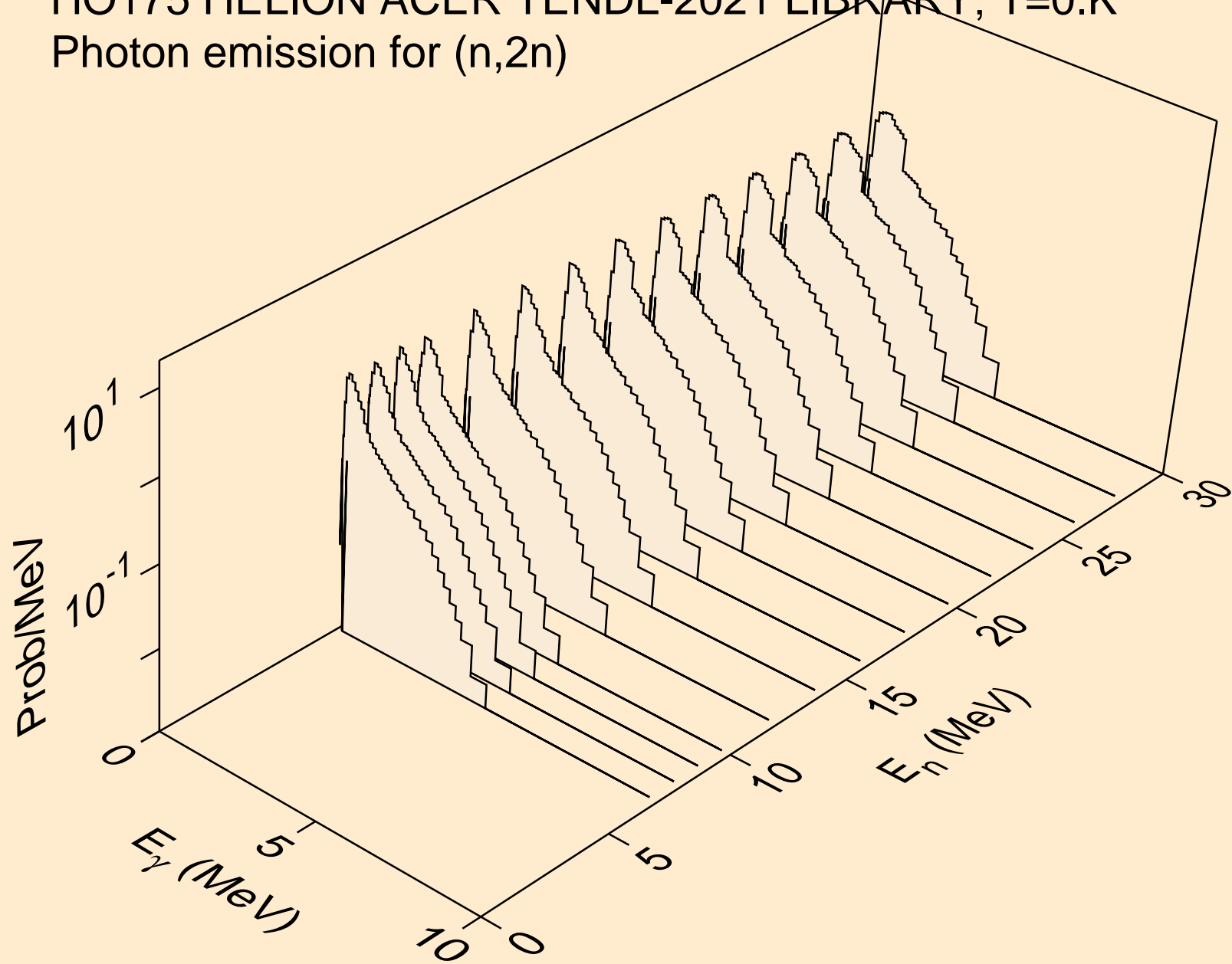
HO175 HELION ACER TENDL-2021 LIBRARY; T=0.K  
Photon emission for (n,x)



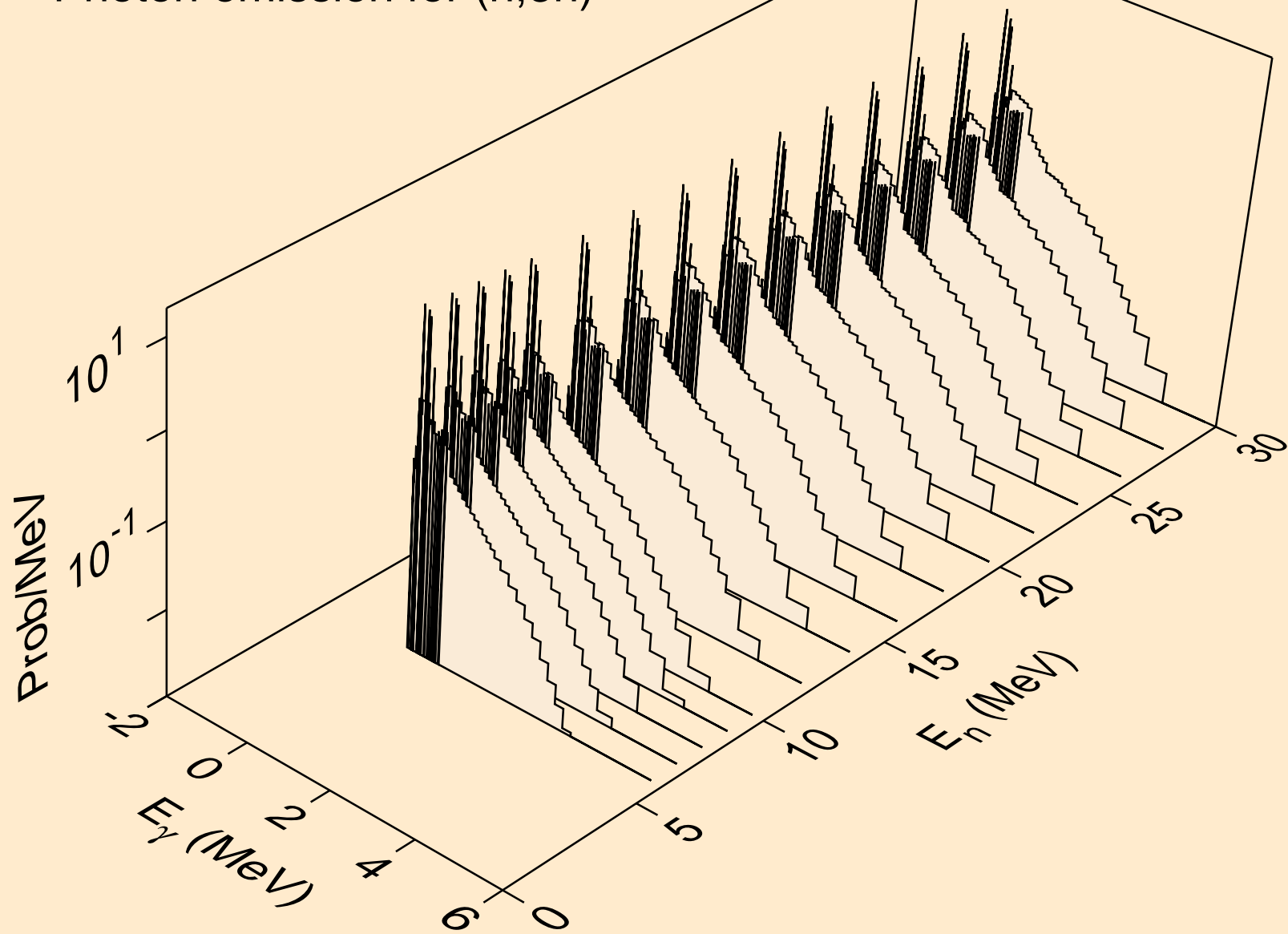
HO175 HELION ACER TENDL-2021 LIBRARY; T=0.K  
Photon emission for (n,2nd)



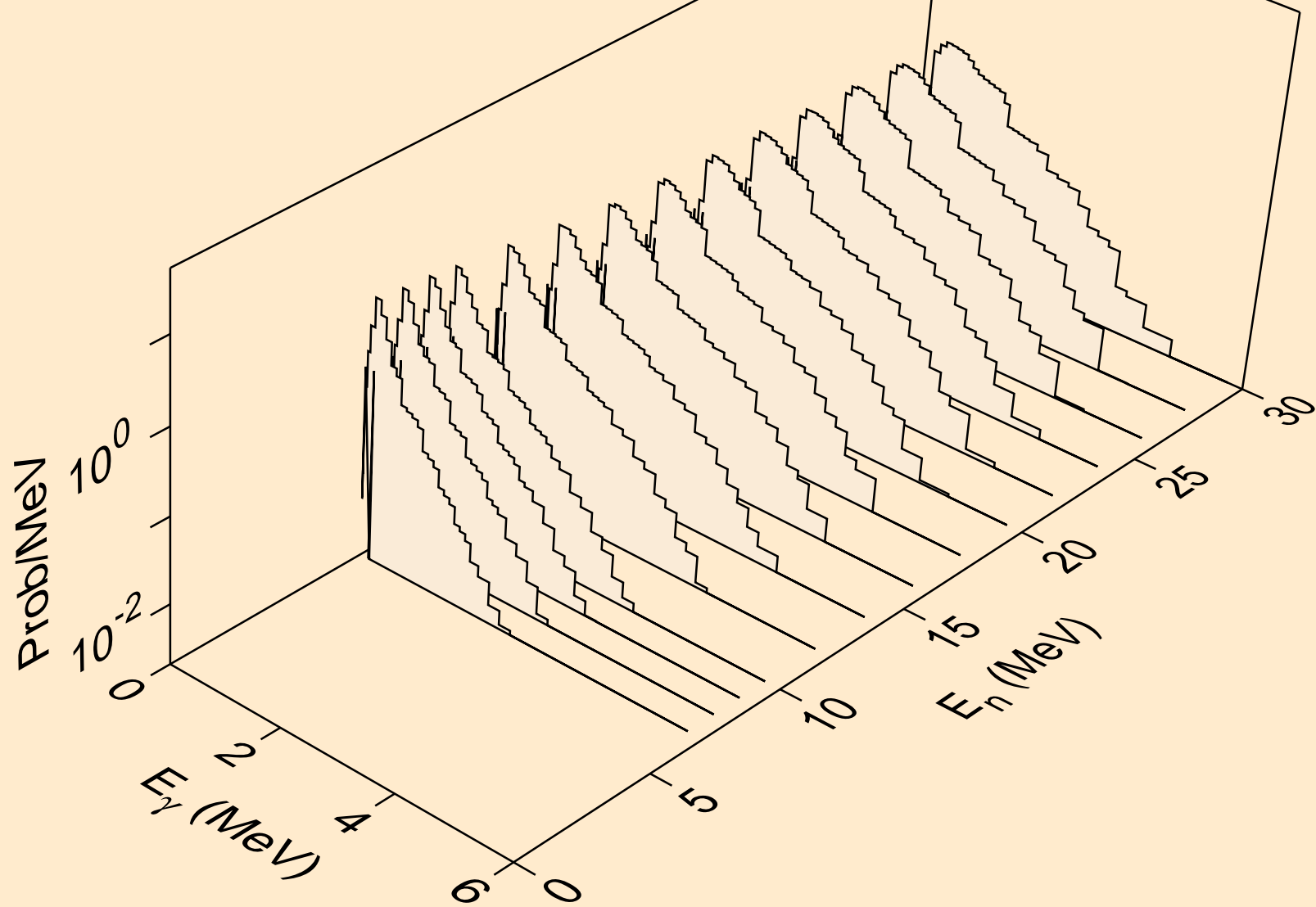
HO175 HELION ACER TENDL-2021 LIBRARY; T=0.K  
Photon emission for (n,2n)



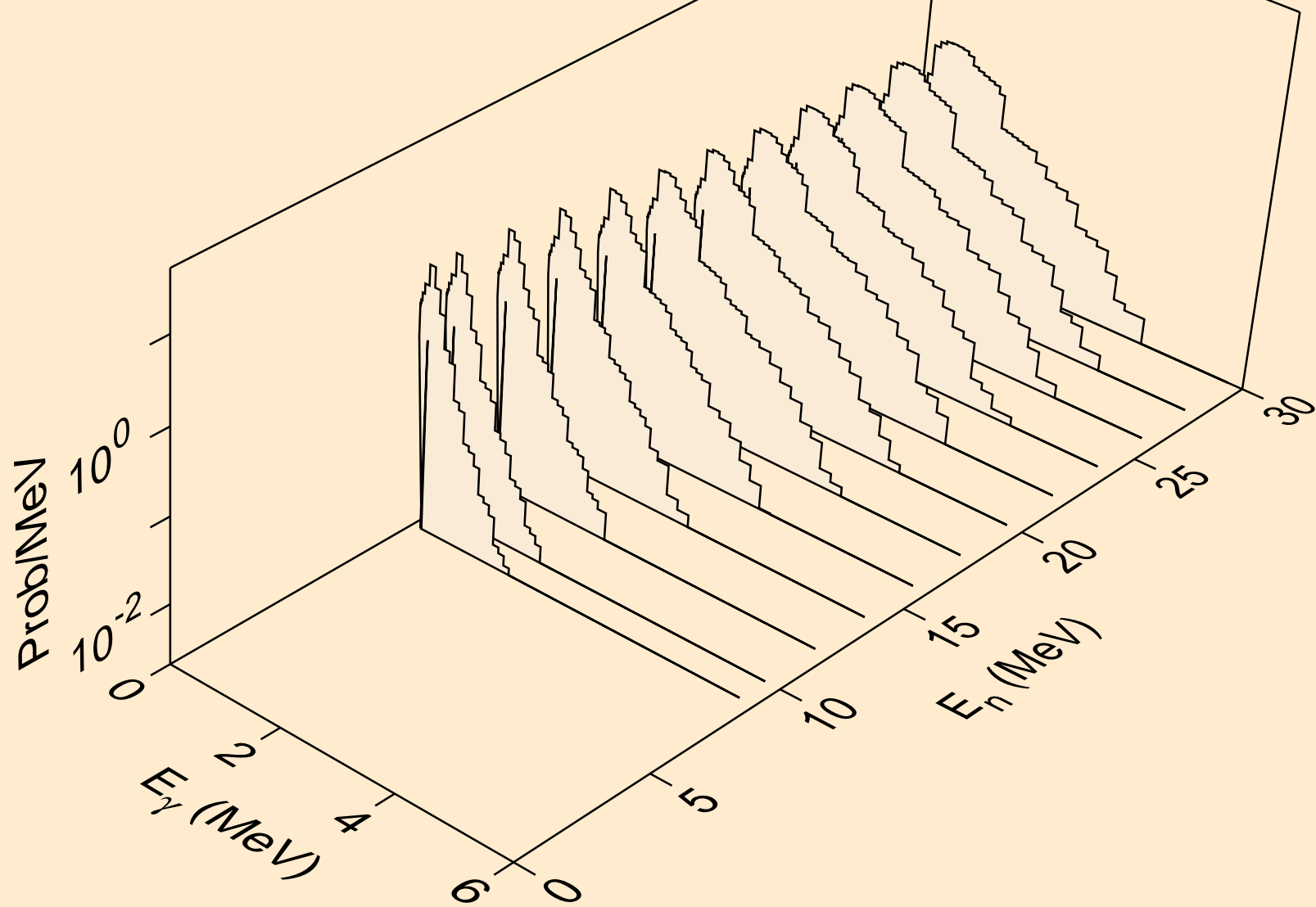
HO175 HELION ACER TENDL-2021 LIBRARY; T=0.K  
Photon emission for (n,3n)



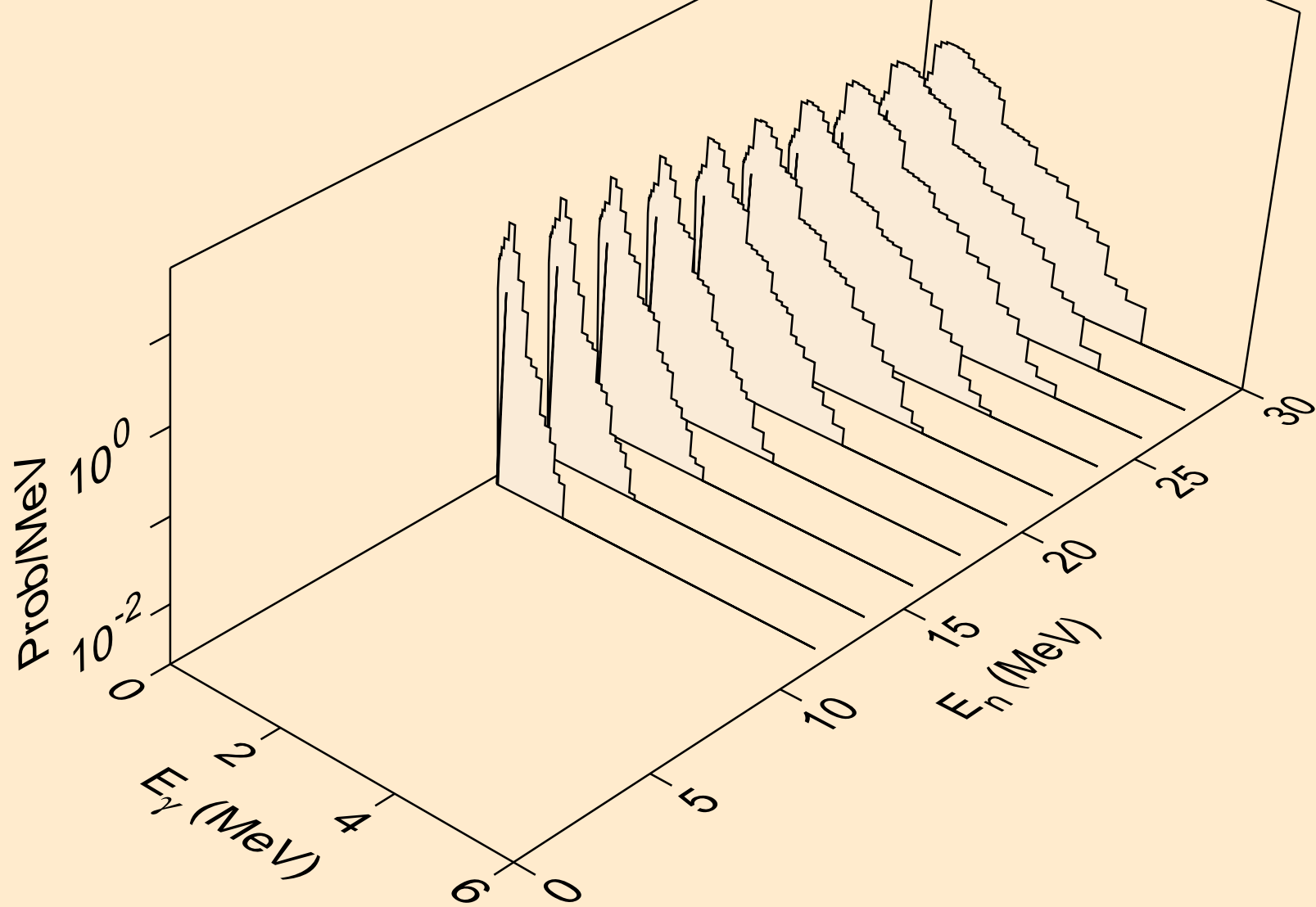
HO175 HELION ACER TENDL-2021 LIBRARY; T=0.K  
Photon emission for (n,n\*)a



HO175 HELION ACER TENDL-2021 LIBRARY; T=0.K  
Photon emission for (n,2n)a

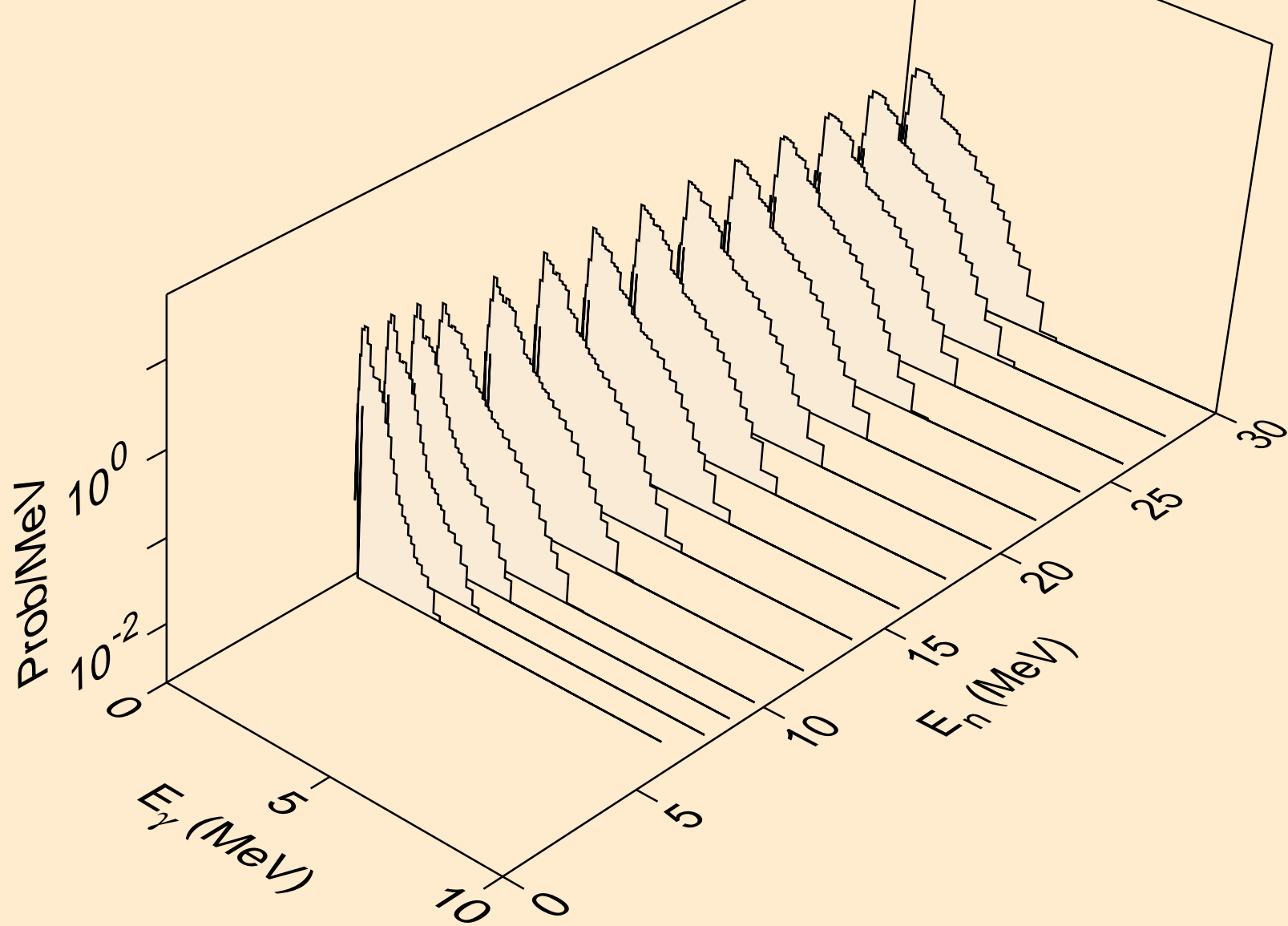


HO175 HELION ACER TENDL-2021 LIBRARY; T=0.K  
Photon emission for (n,3n)a

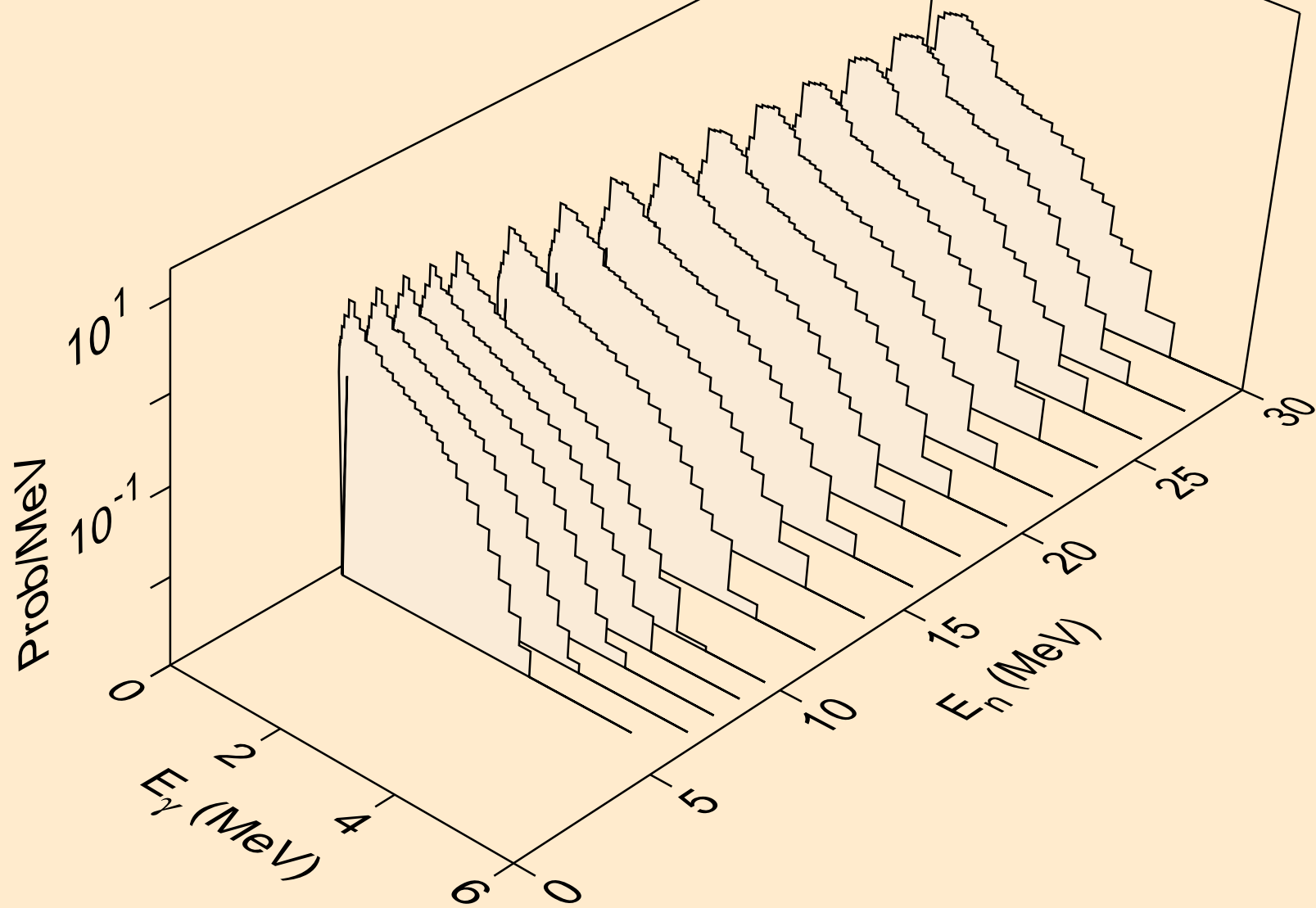




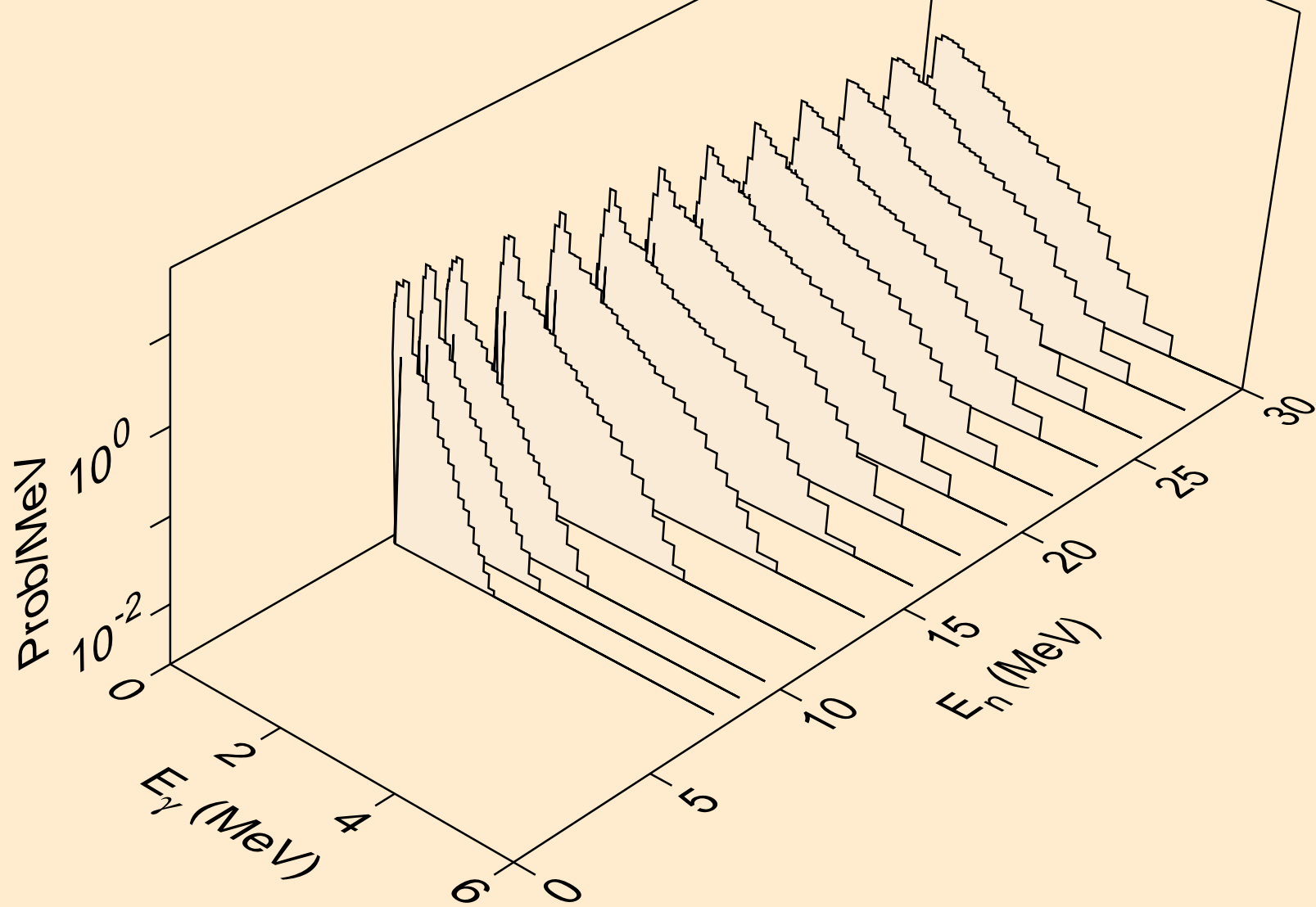
HO175 HELION ACER TENDL-2021 LIBRARY; T=0.K  
Photon emission for (n,n\*)p



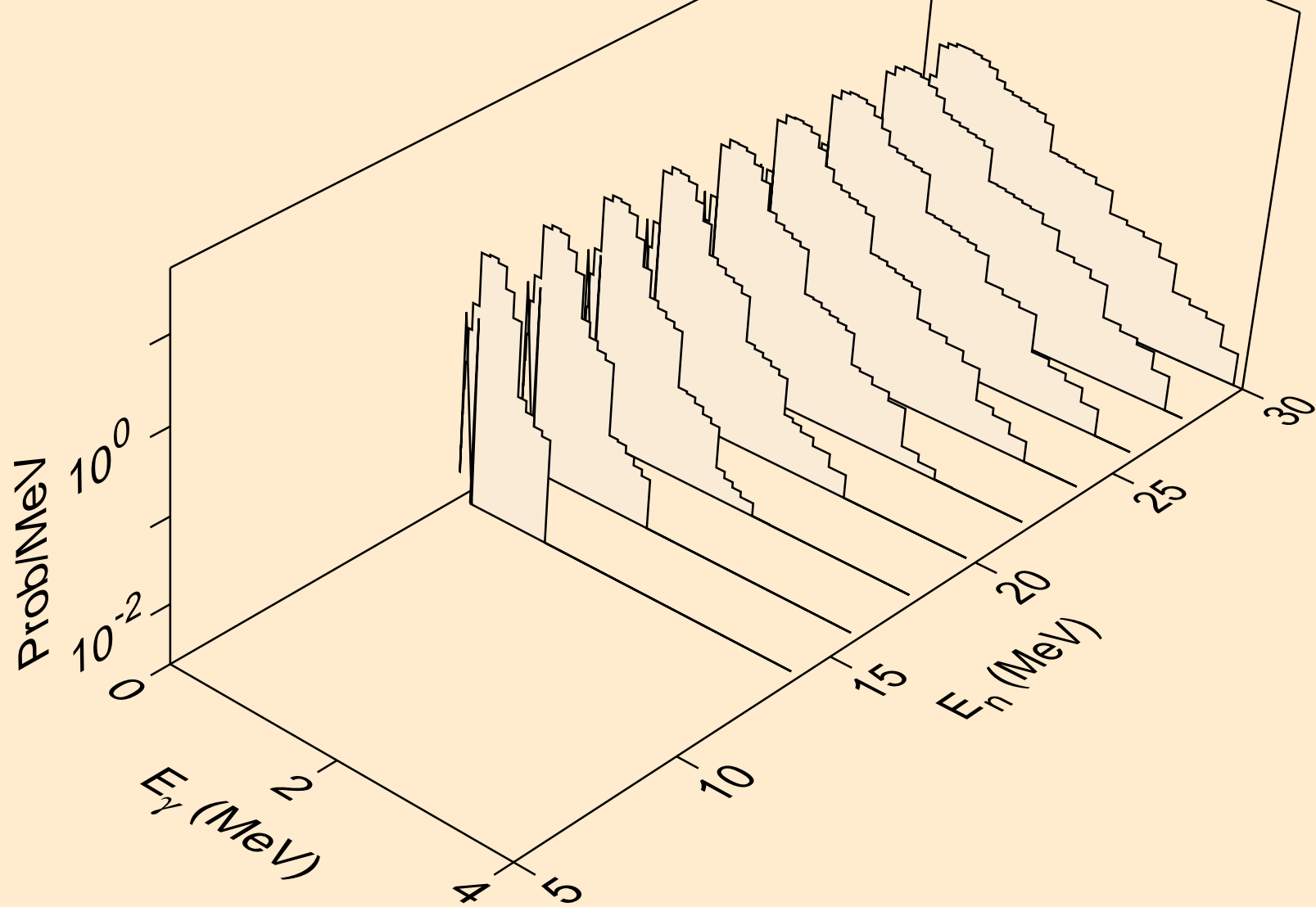
HO175 HELION ACER TENDL-2021 LIBRARY; T=0.K  
Photon emission for (n,n\*)d



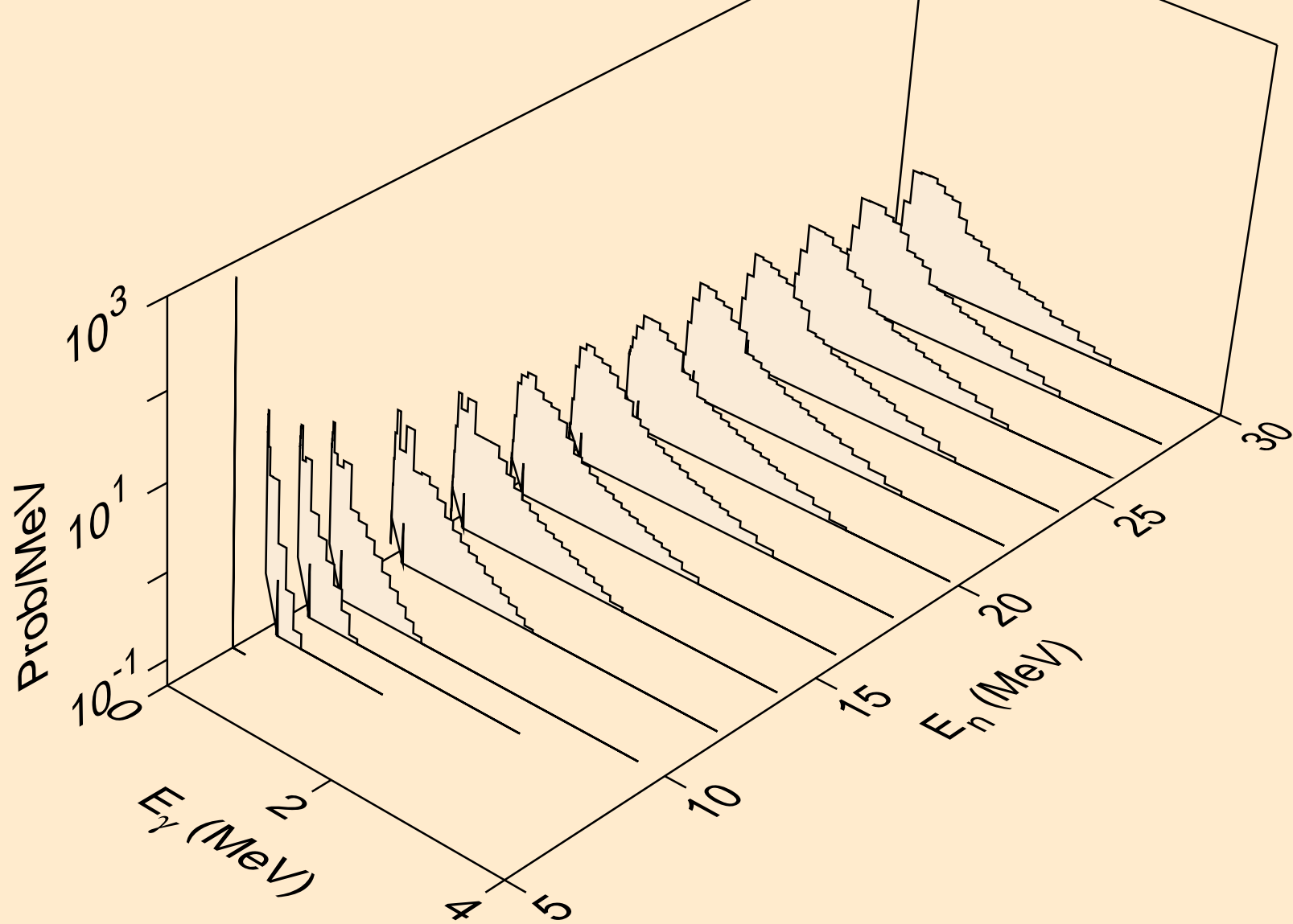
HO175 HELION ACER TENDL-2021 LIBRARY; T=0.K  
Photon emission for (n,n\*)t



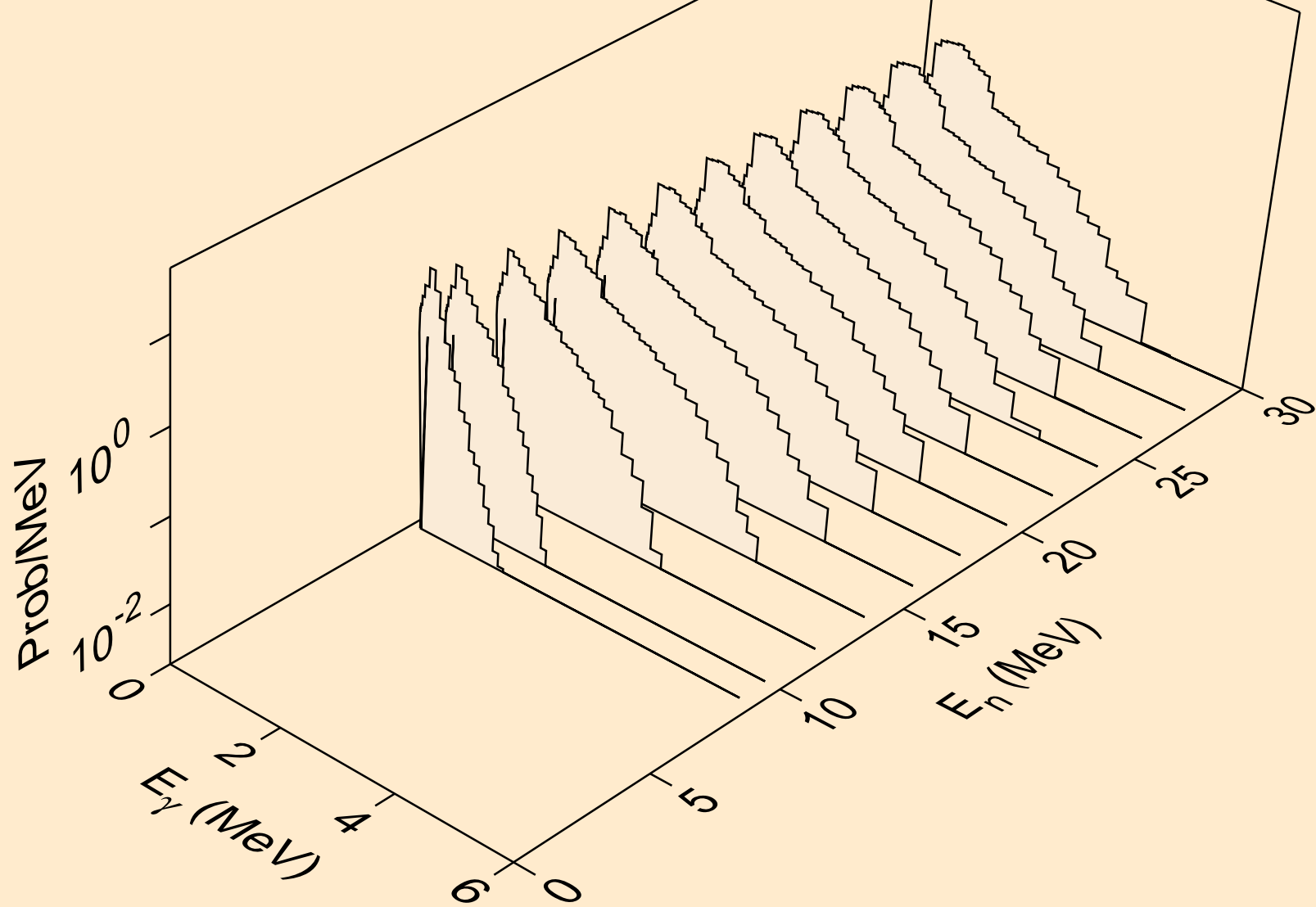
HO175 HELION ACER TENDL-2021 LIBRARY; T=0.K  
Photon emission for (n,n\*)he3



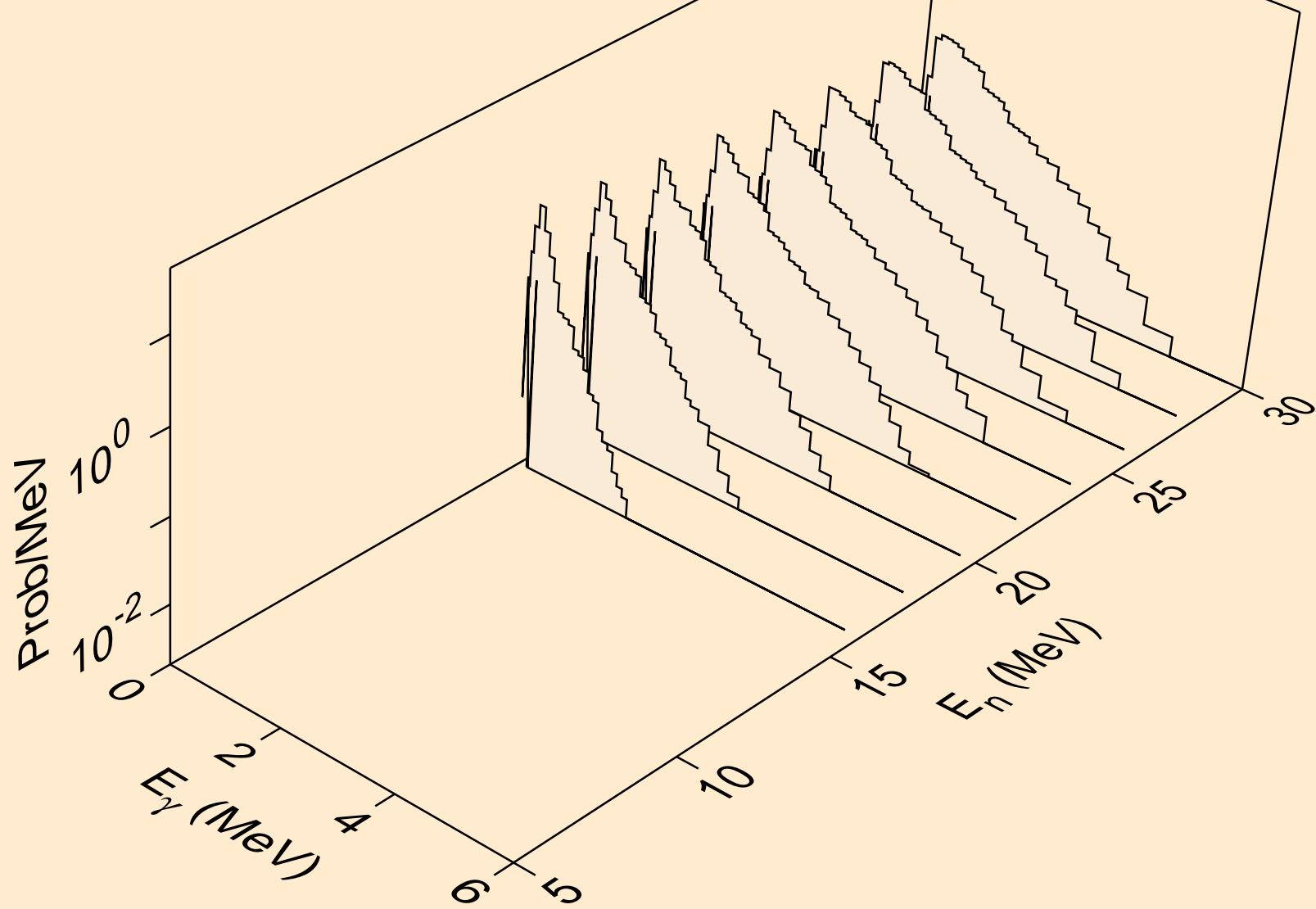
HO175 HELION ACER TENDL-2021 LIBRARY; T=0.K  
Photon emission for (n,4n)



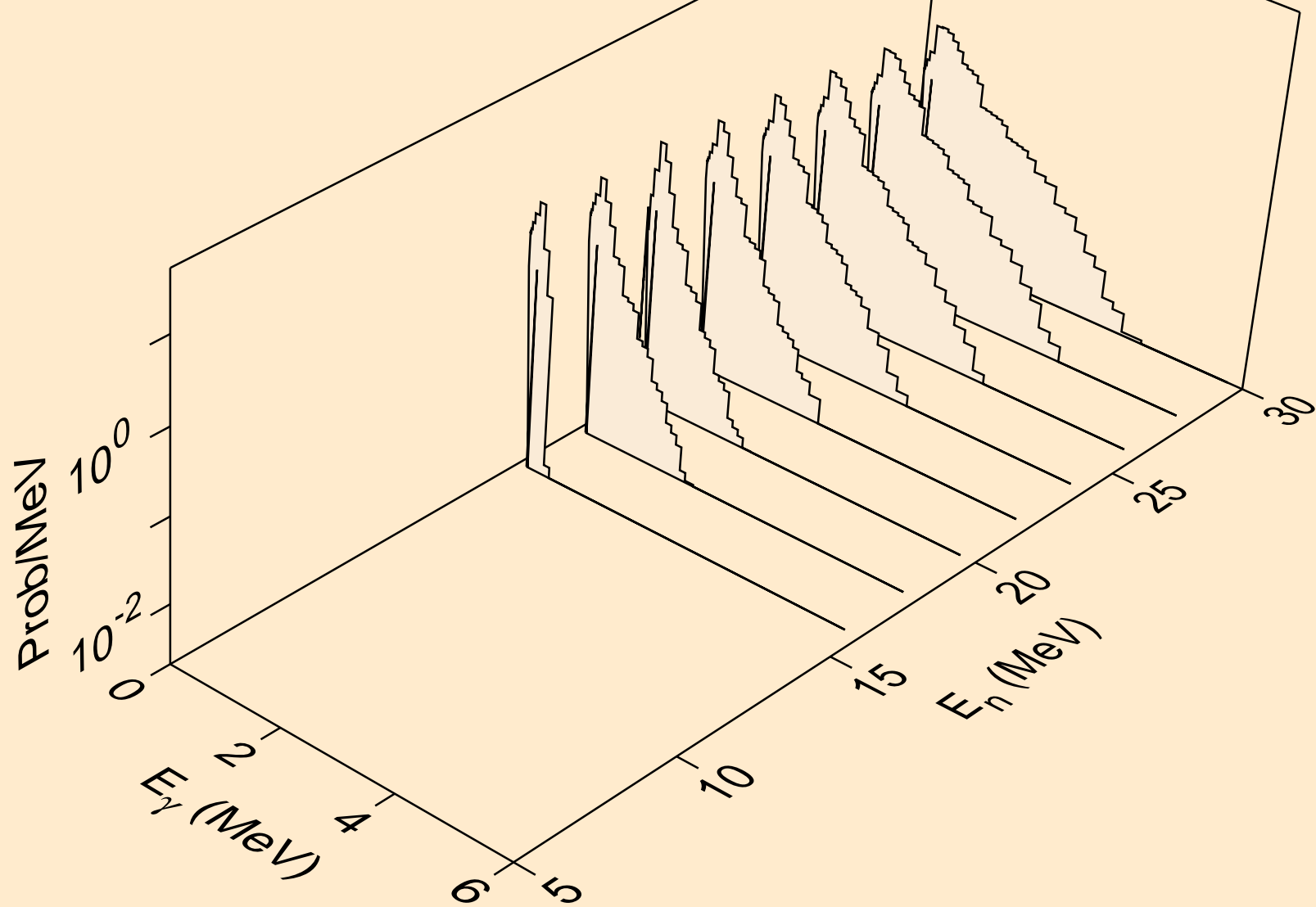
HO175 HELION ACER TENDL-2021 LIBRARY; T=0.K  
Photon emission for (n,2np)



HO175 HELION ACER TENDL-2021 LIBRARY; T=0.K  
Photon emission for (n,3np)

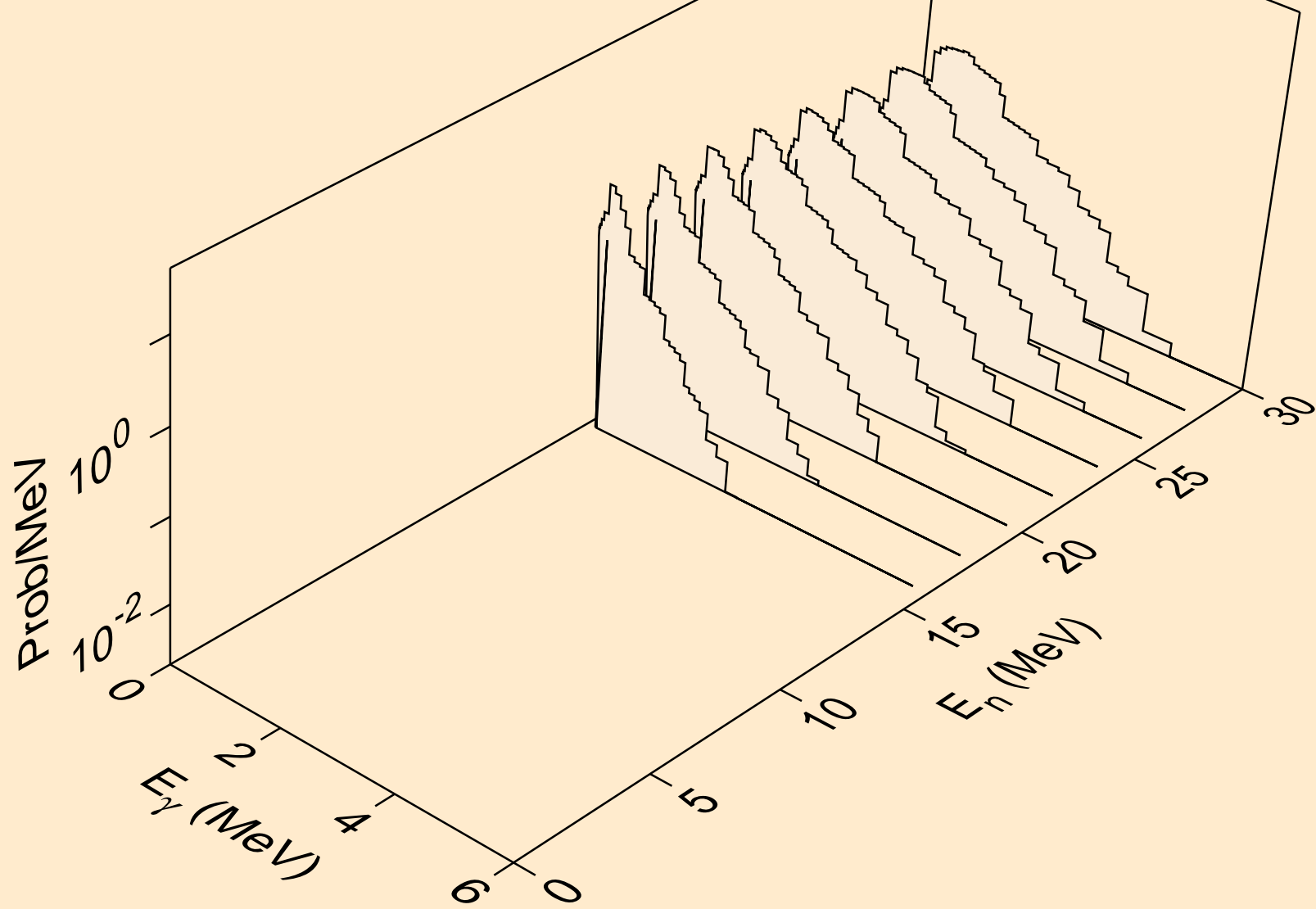


HO175 HELION ACER TENDL-2021 LIBRARY; T=0.K  
Photon emission for (n,2np)

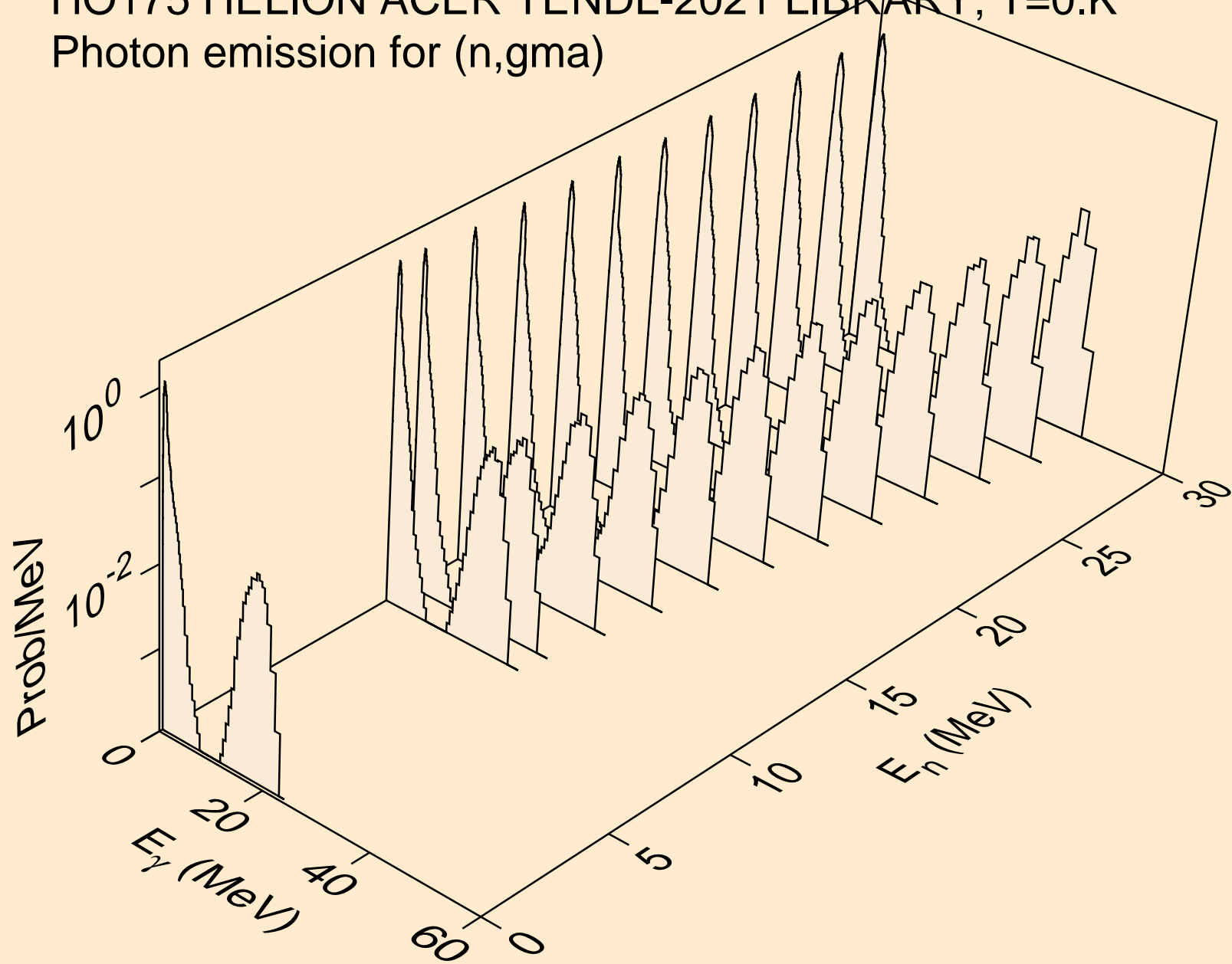




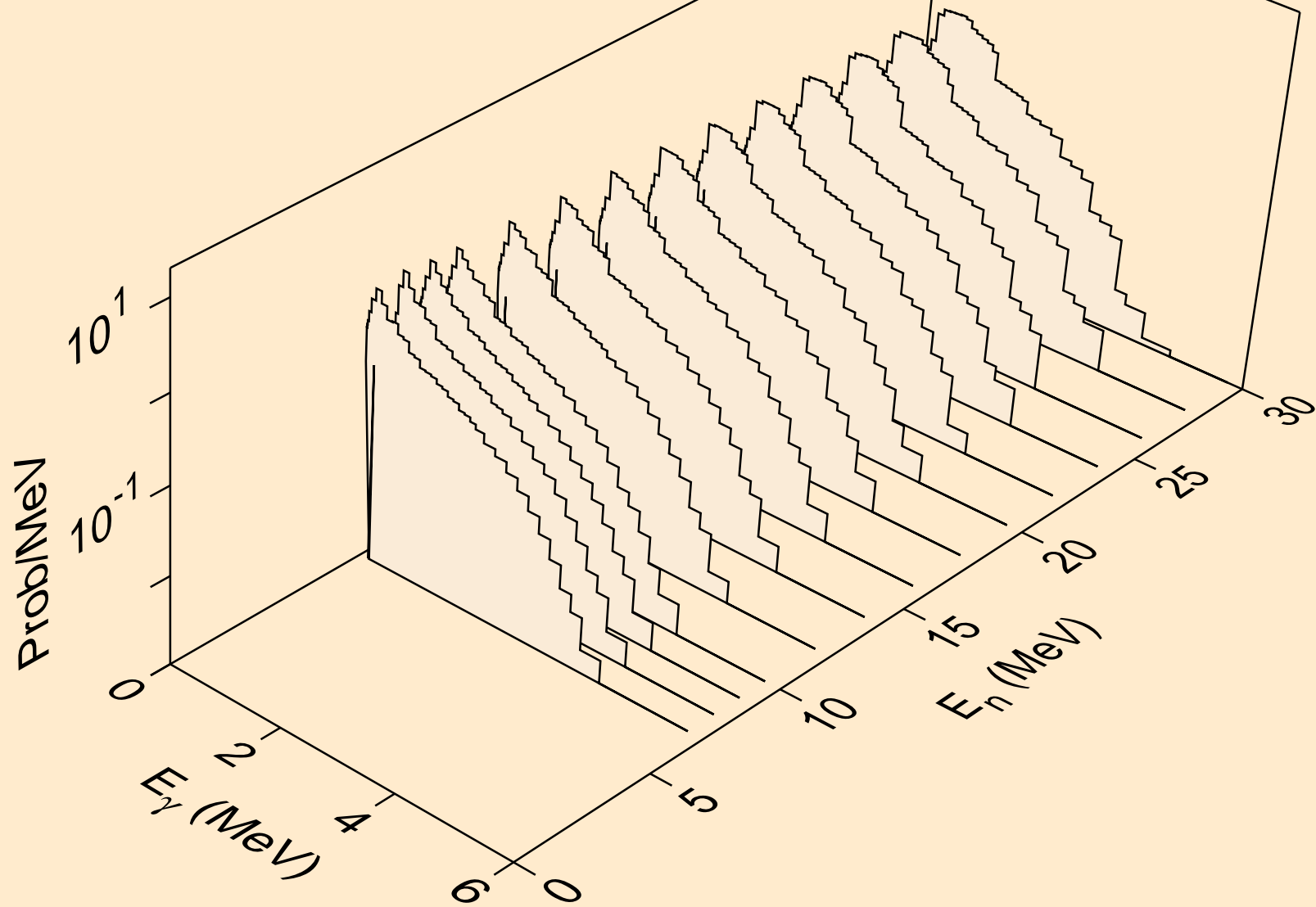
HO175 HELION ACER TENDL-2021 LIBRARY; T=0.K  
Photon emission for (n,npa)



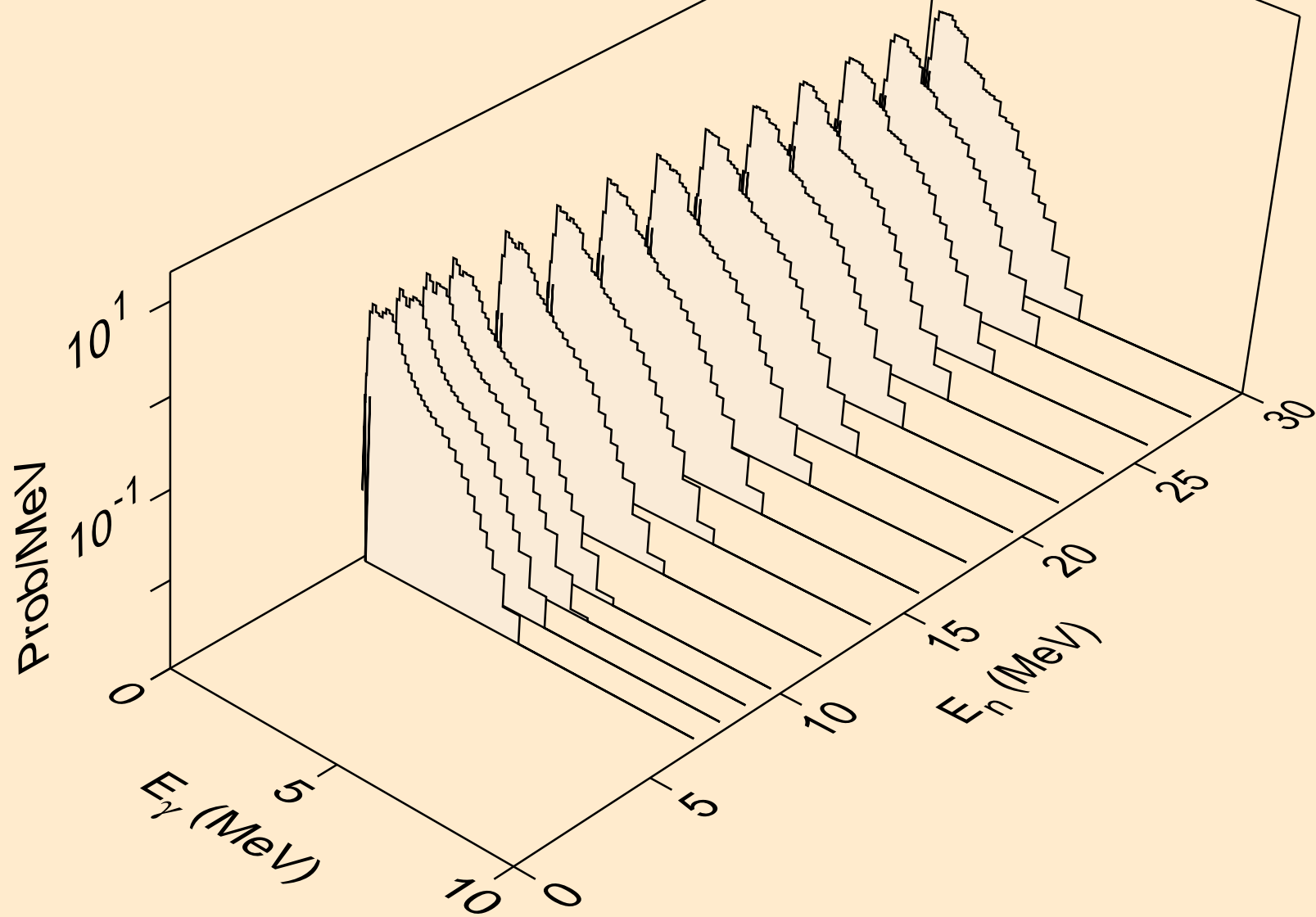
HO175 HELION ACER TENDL-2021 LIBRARY; T=0.K  
Photon emission for (n,gma)



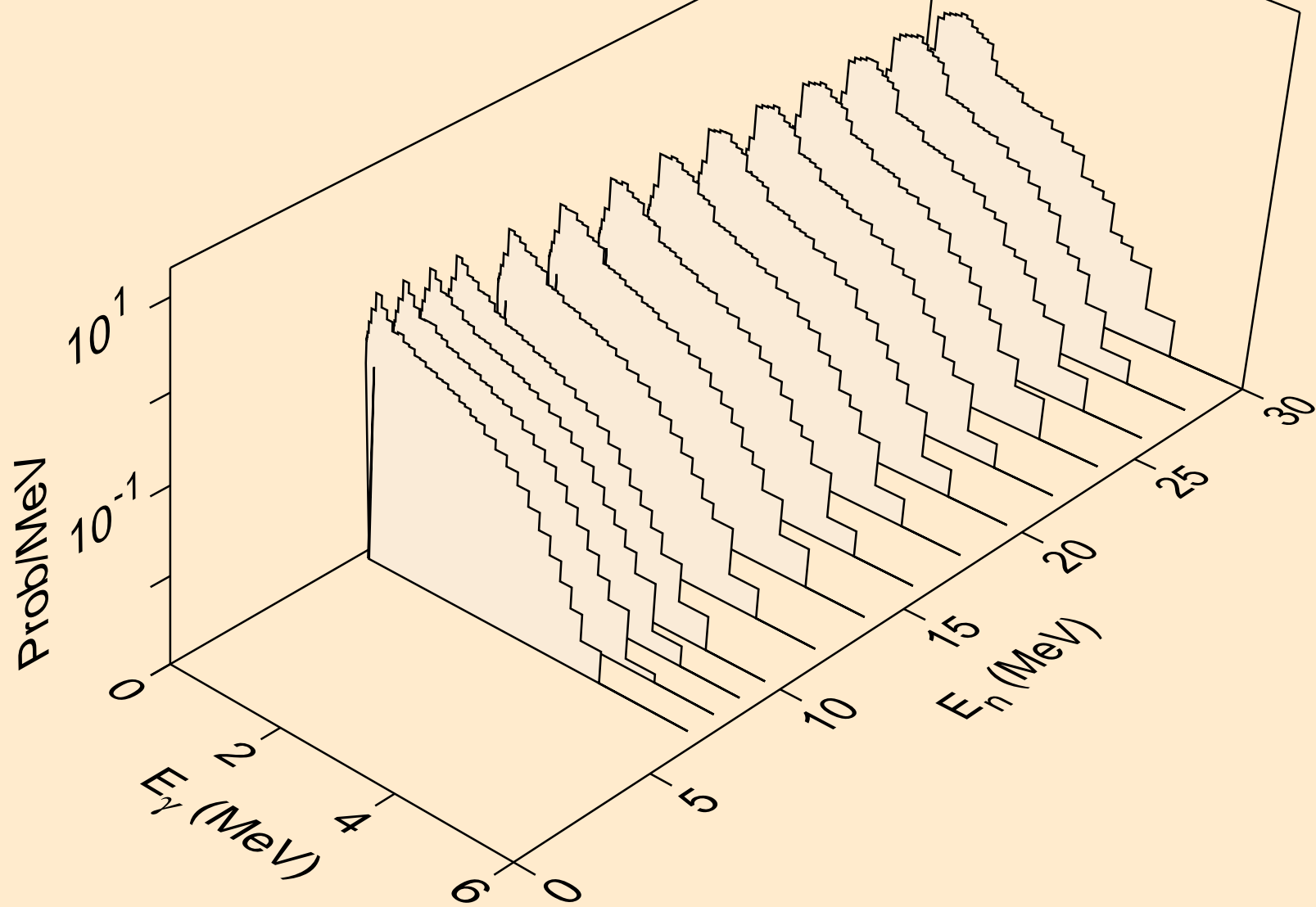
HO175 HELION ACER TENDL-2021 LIBRARY; T=0.K  
Photon emission for (n,p)



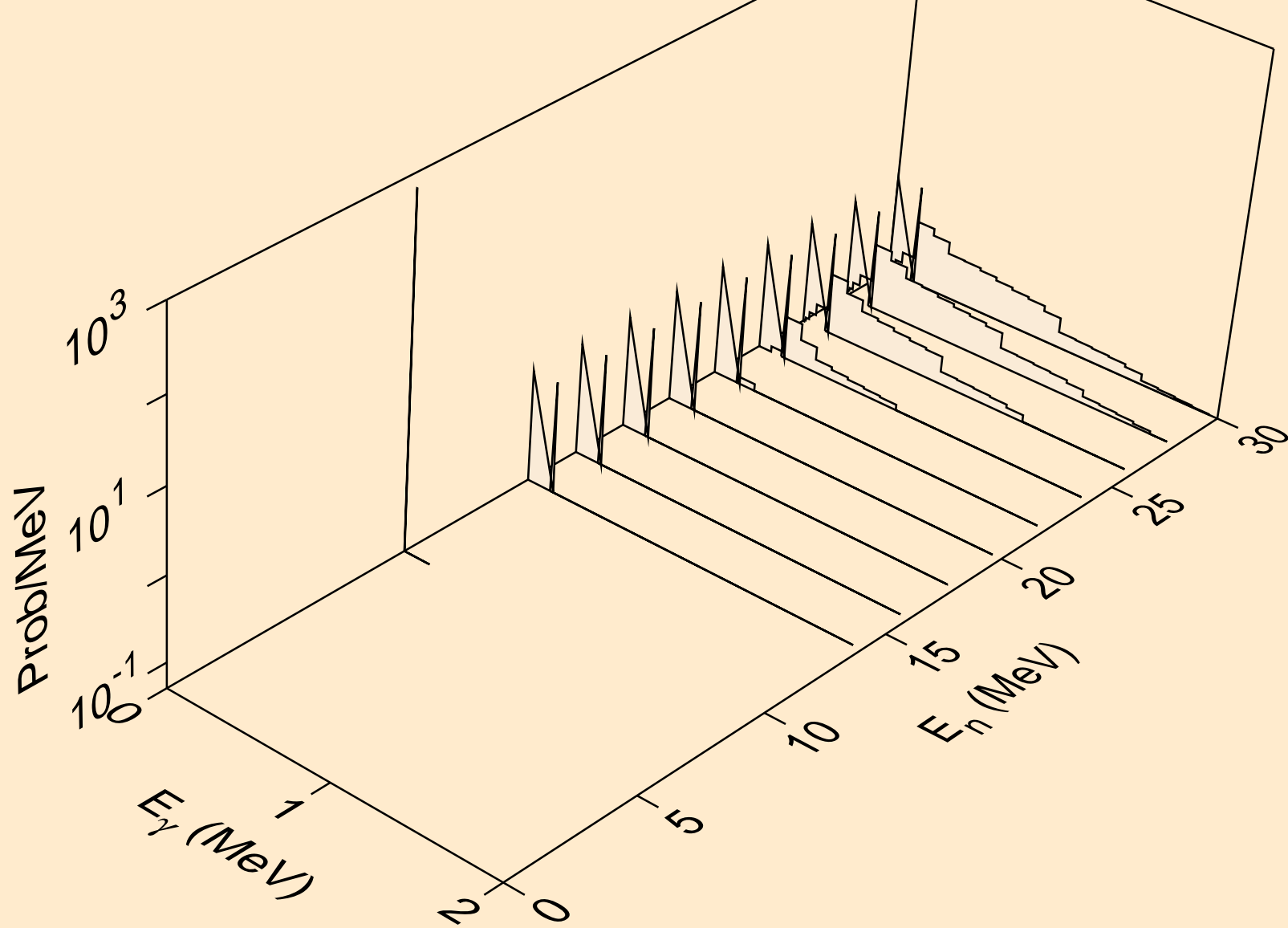
HO175 HELION ACER TENDL-2021 LIBRARY; T=0.K  
Photon emission for (n,d)



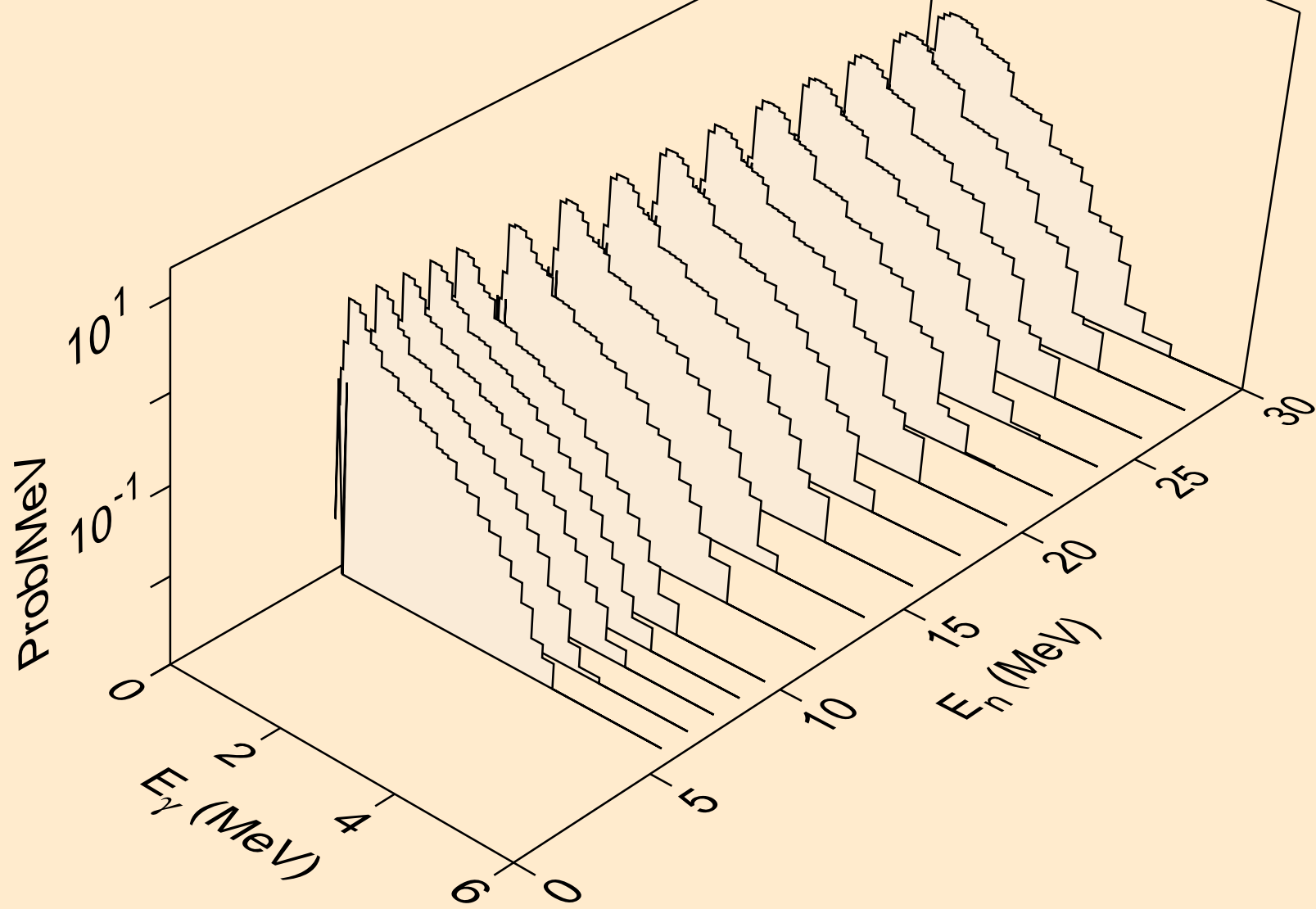
HO175 HELION ACER TENDL-2021 LIBRARY; T=0.K  
Photon emission for (n,t)



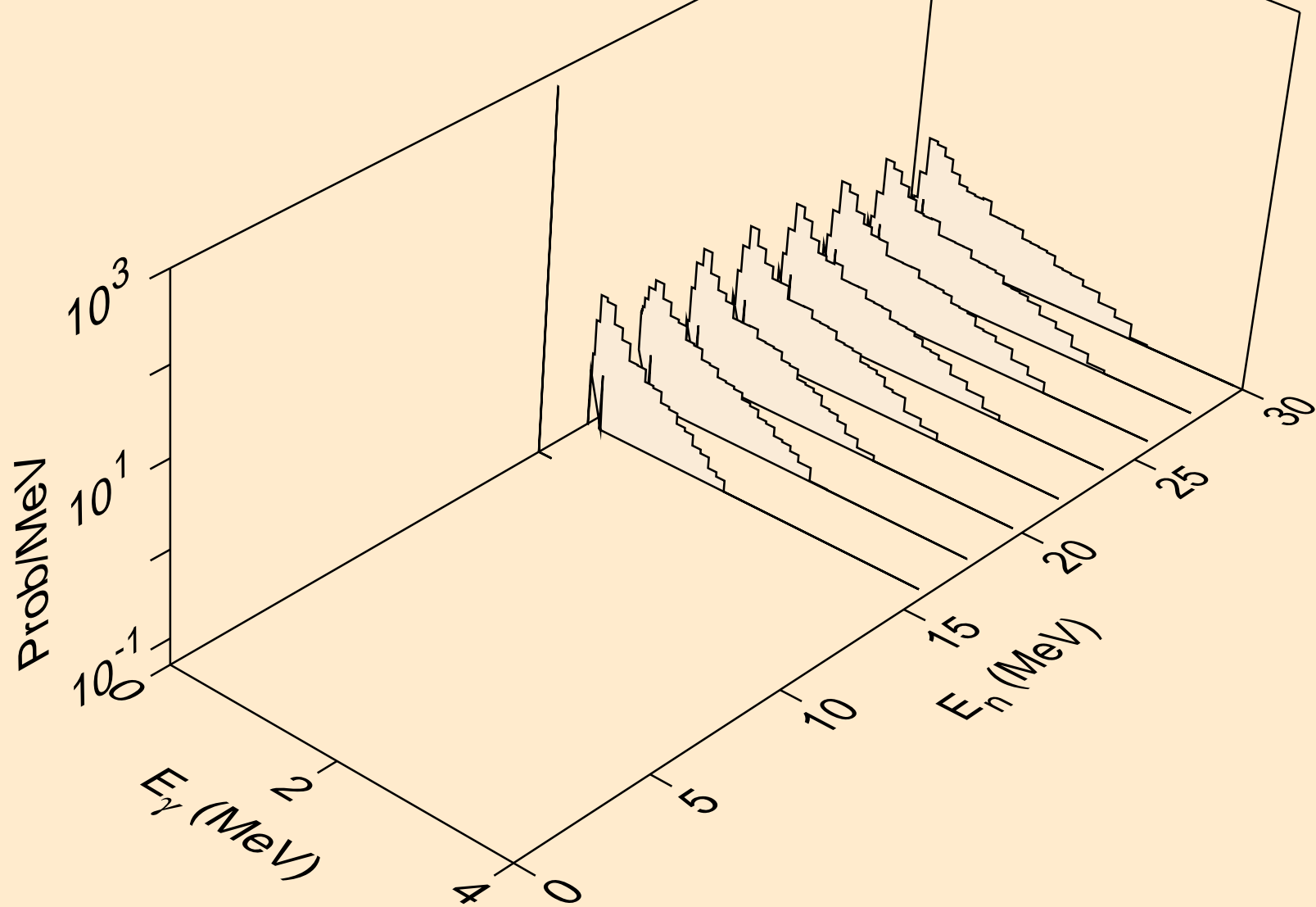
HO175 HELION ACER TENDL-2021 LIBRARY; T=0.K  
Photon emission for inelastic



HO175 HELION ACER TENDL-2021 LIBRARY; T=0.K  
Photon emission for (n,a)

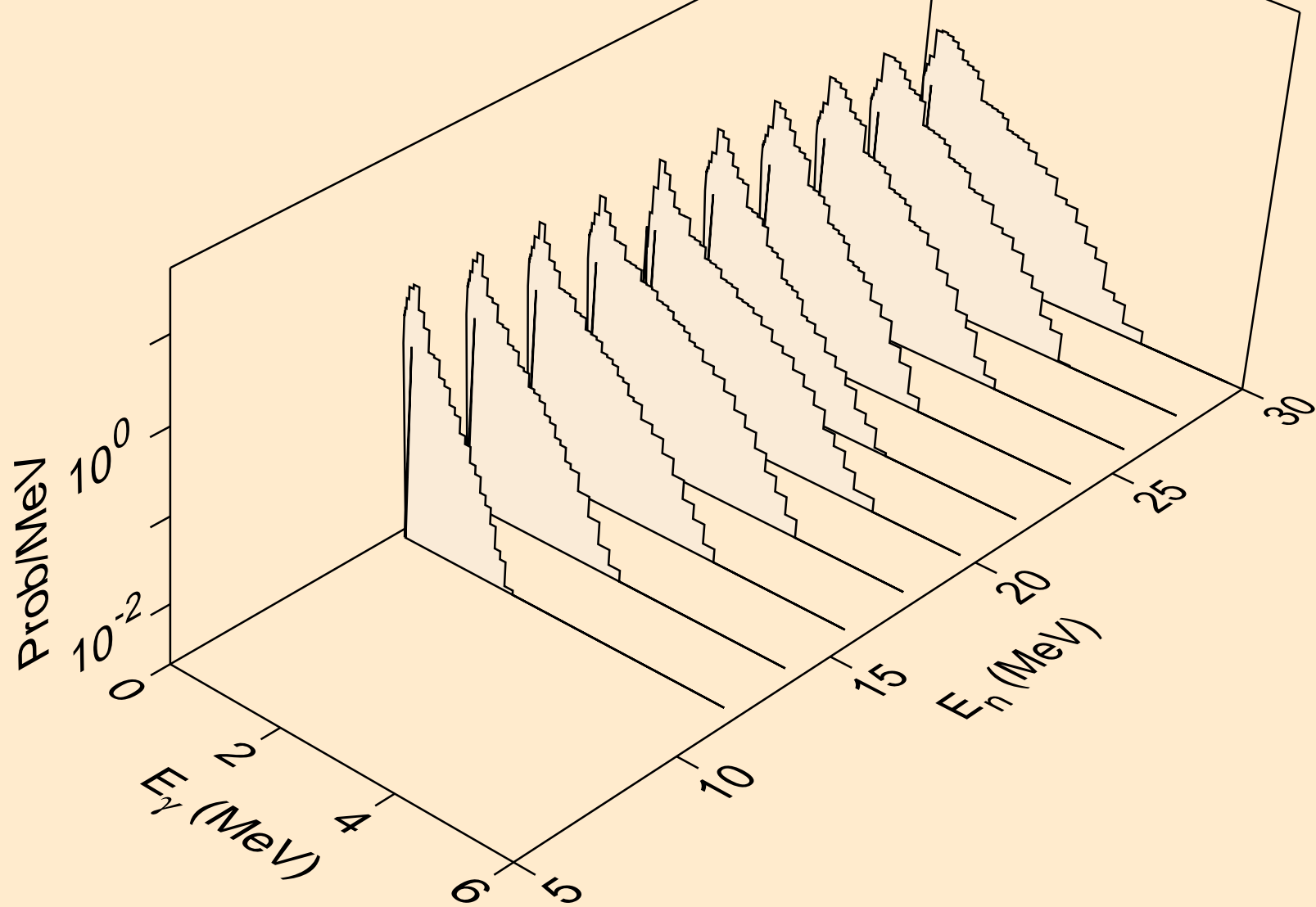


HO175 HELION ACER TENDL-2021 LIBRARY; T=0.K  
Photon emission for (n,2p)

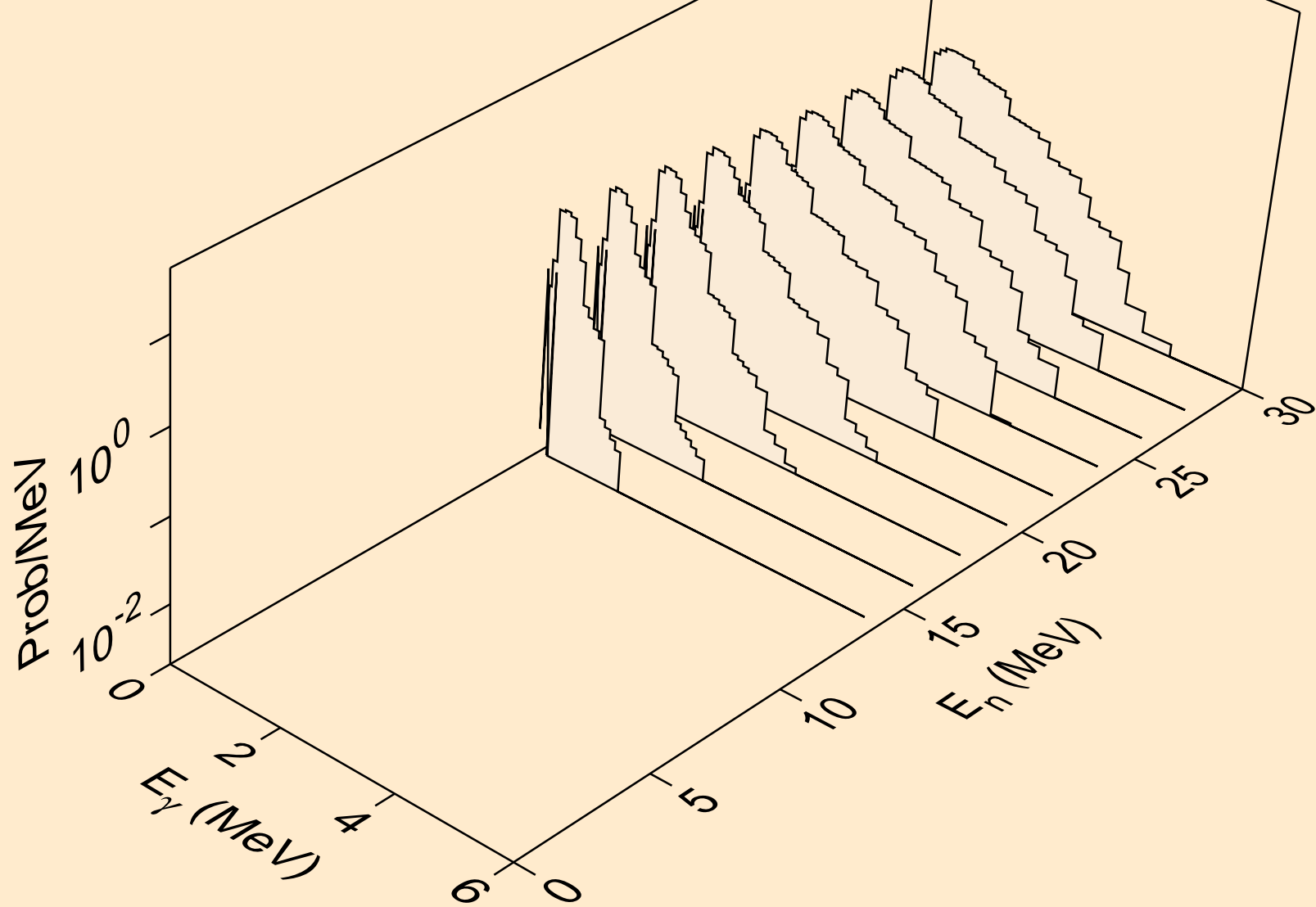




HO175 HELION ACER TENDL-2021 LIBRARY; T=0.K  
Photon emission for (n,pd)

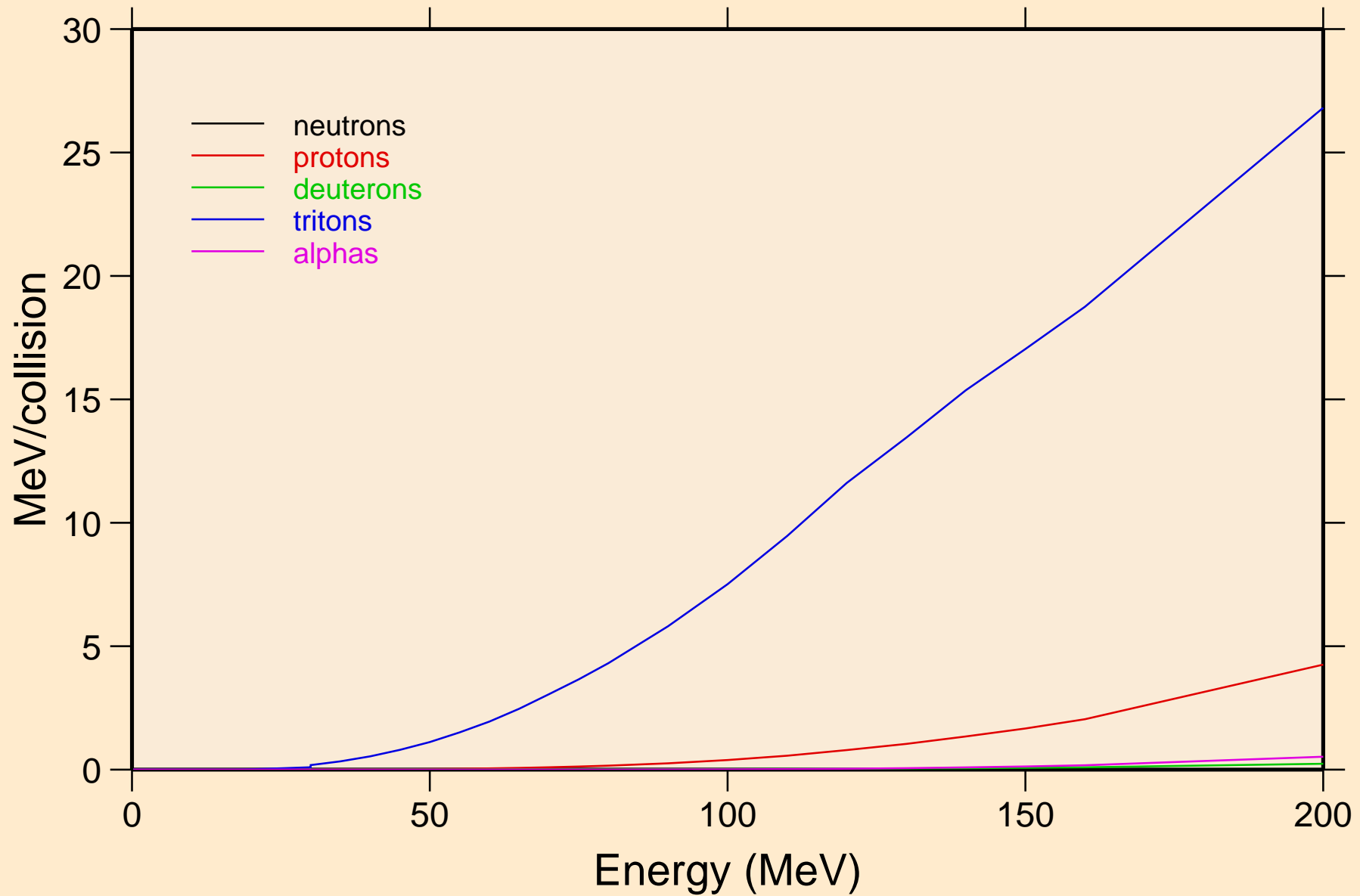


HO175 HELION ACER TENDL-2021 LIBRARY; T=0.K  
Photon emission for (n,pt)

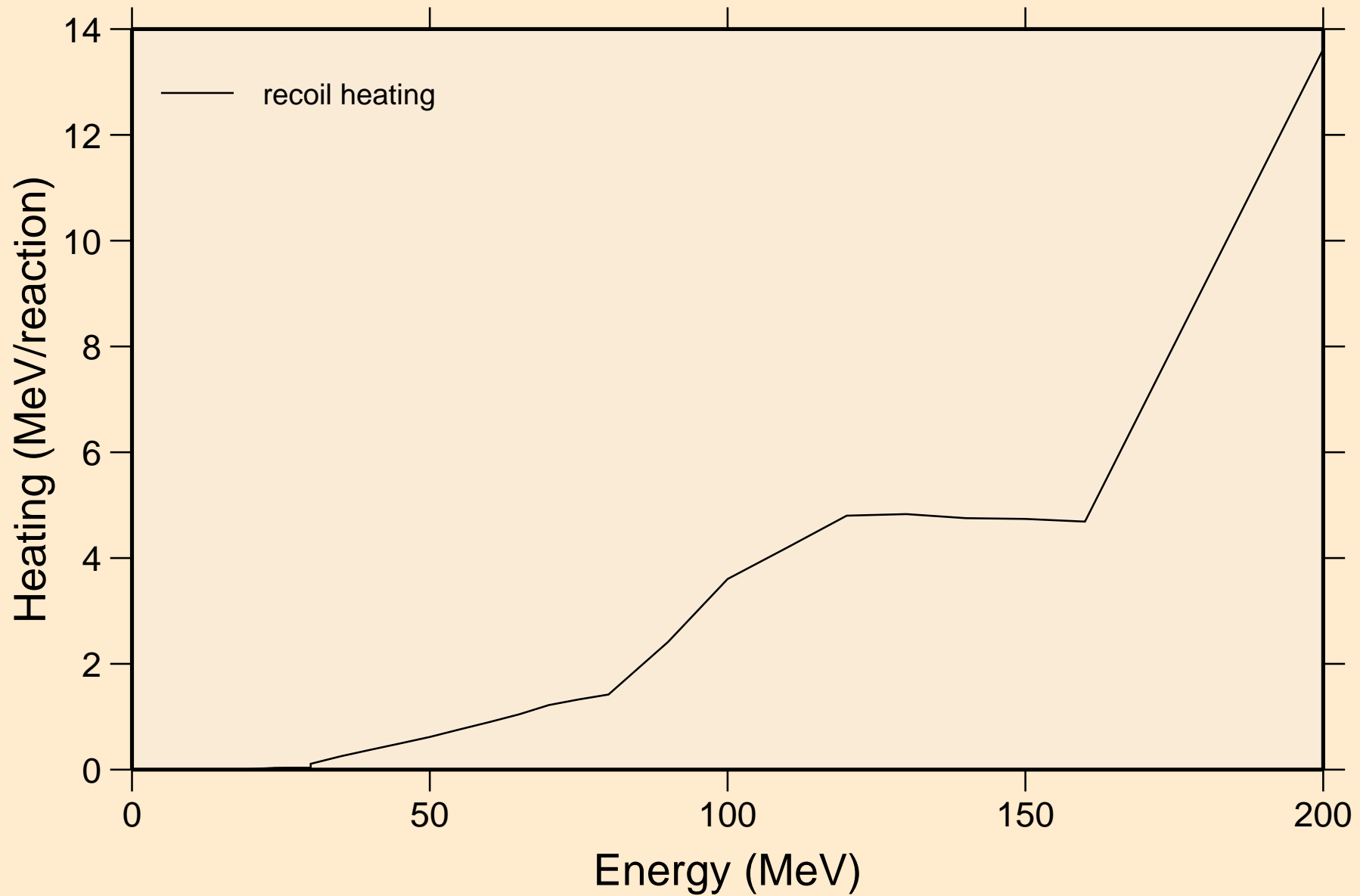


# HO175 HELION ACER TENDL-2021 LIBRARY; T=0.K

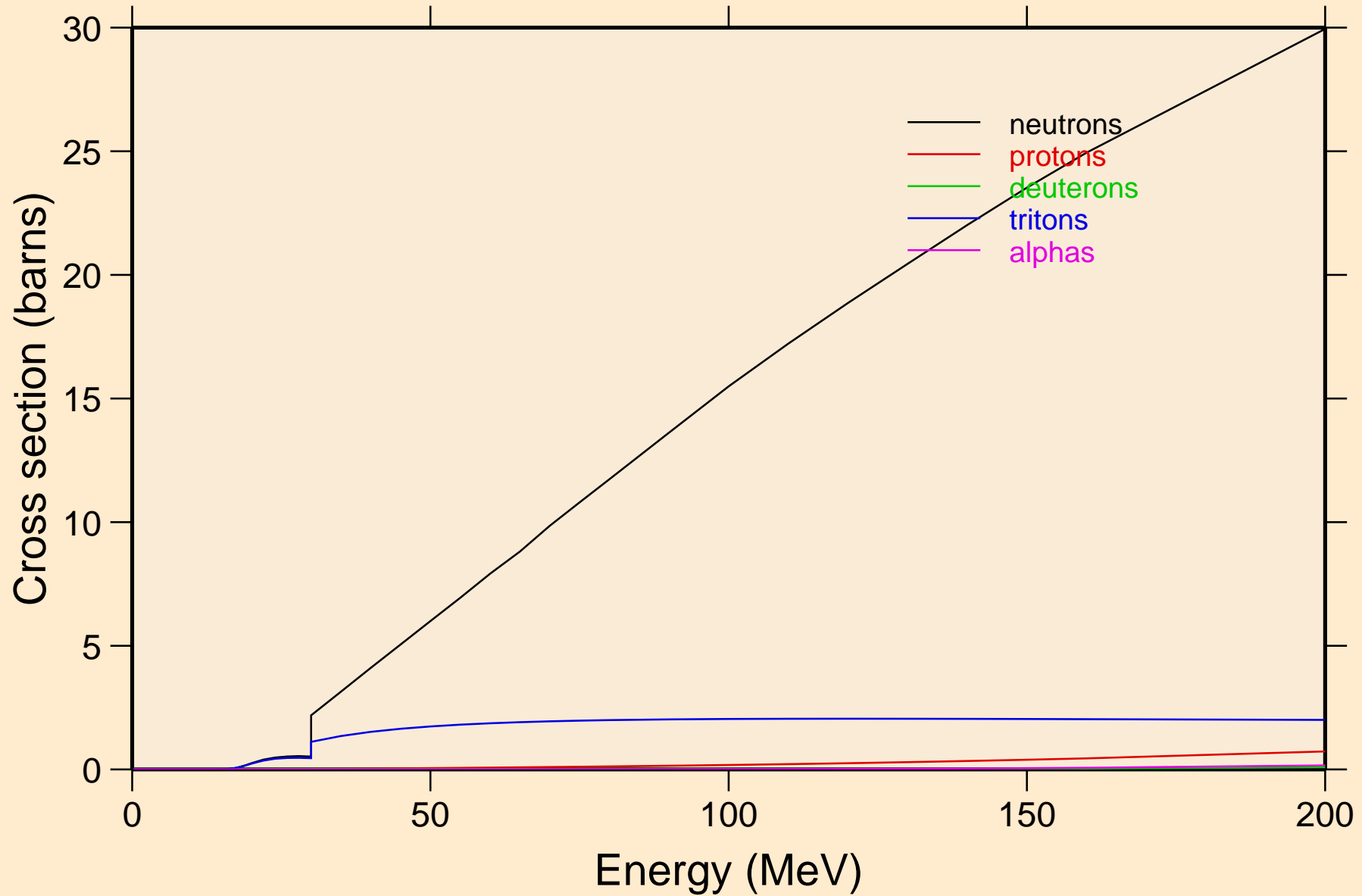
## Particle heating contributions



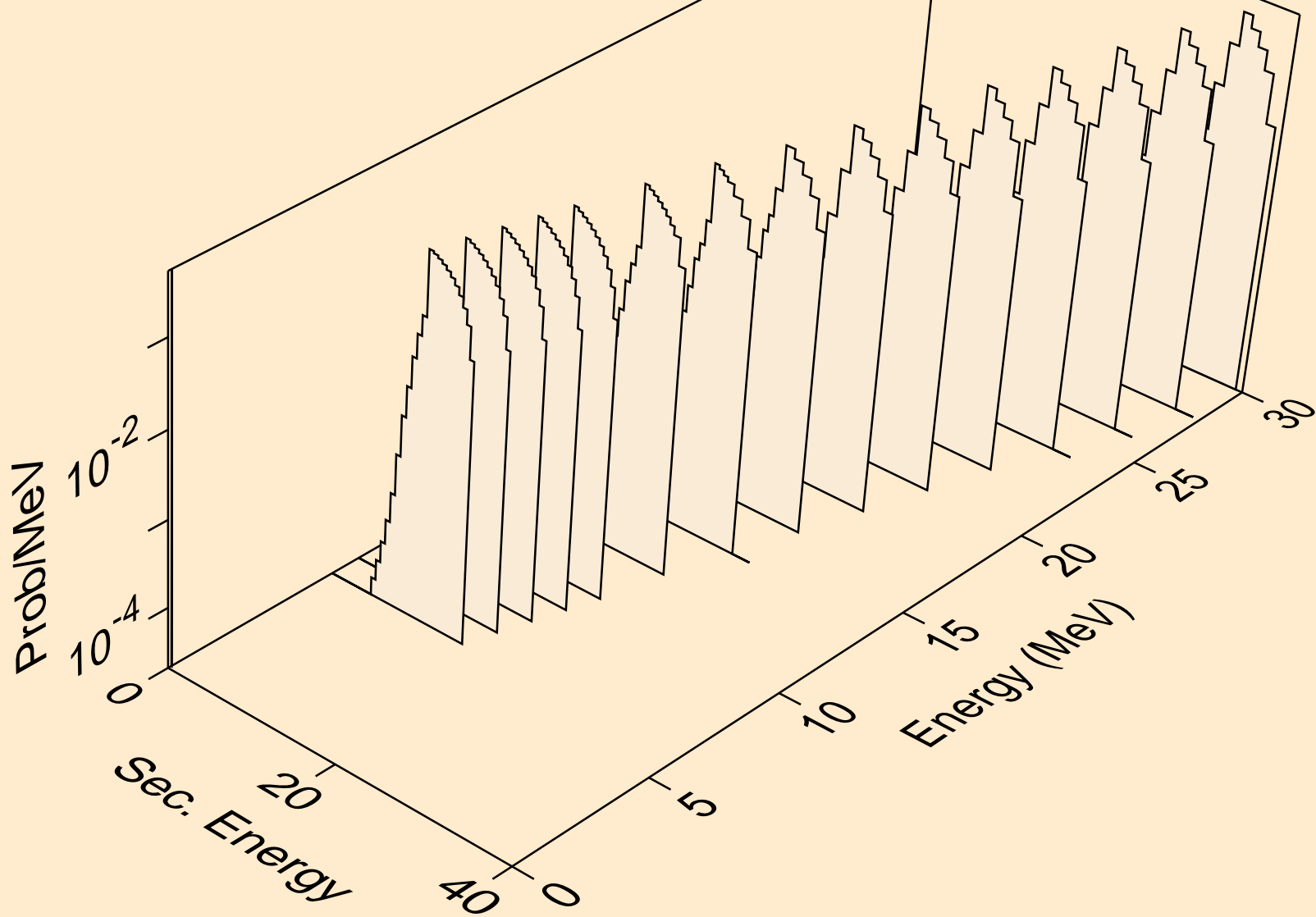
HO175 HELION ACER TENDL-2021 LIBRARY; T=0.K  
Recoil Heating



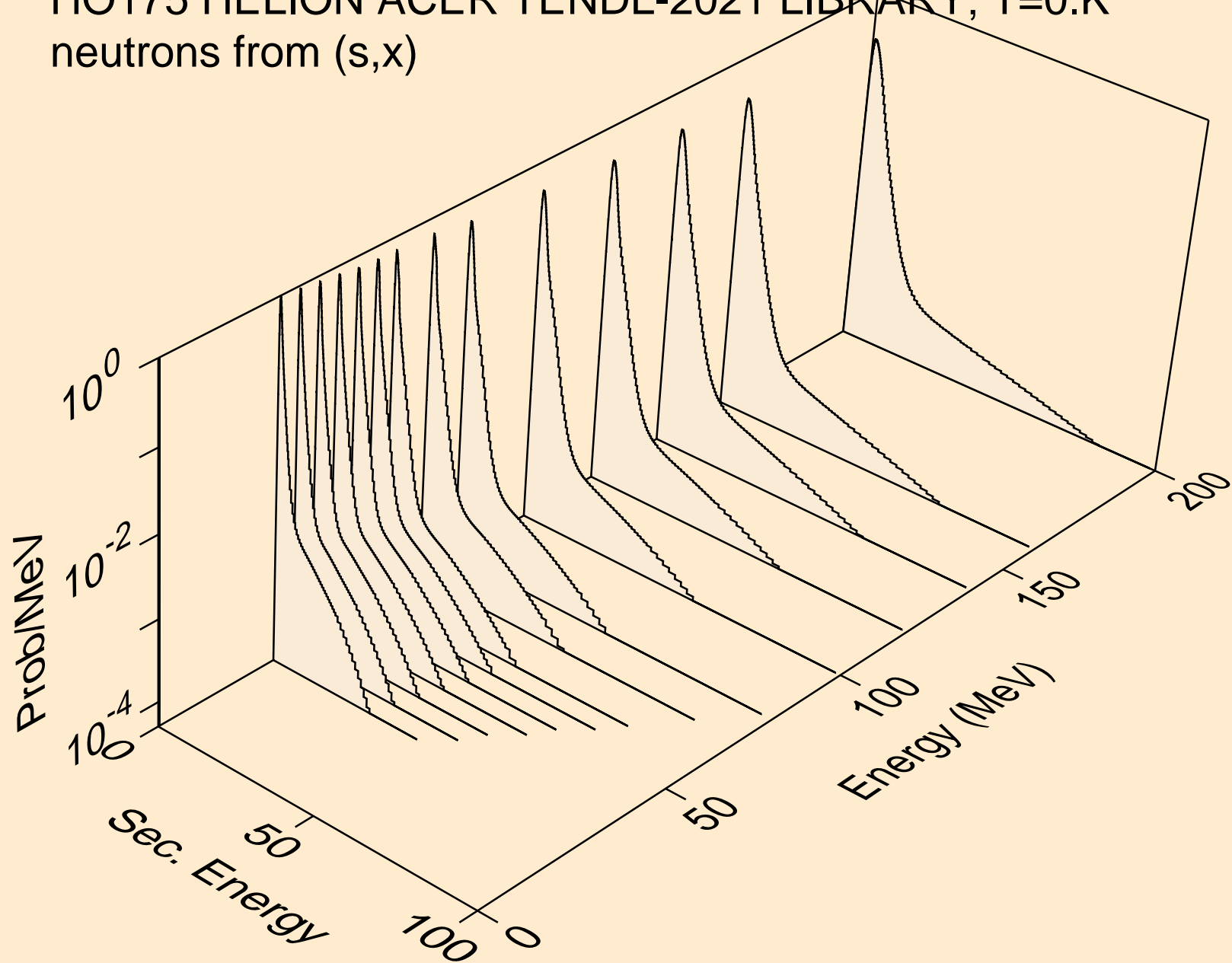
HO175 HELION ACER TENDL-2021 LIBRARY; T=0.K  
Particle production cross sections



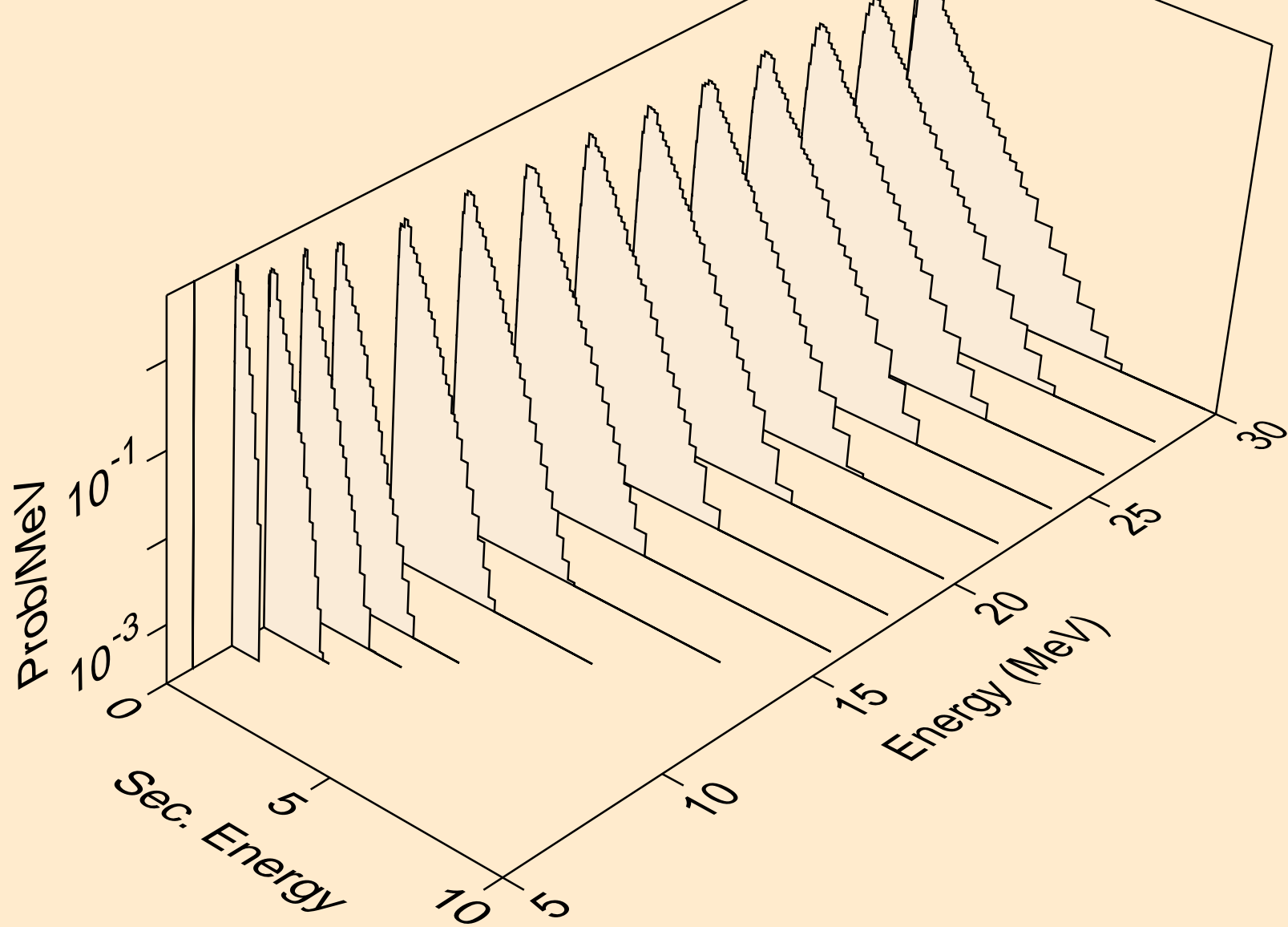
HO175 HELION ACER TENDL-2021 LIBRARY; T=0.K  
neutrons from (s,n)



HO175 HELION ACER TENDL-2021 LIBRARY; T=0.K  
neutrons from (s,x)

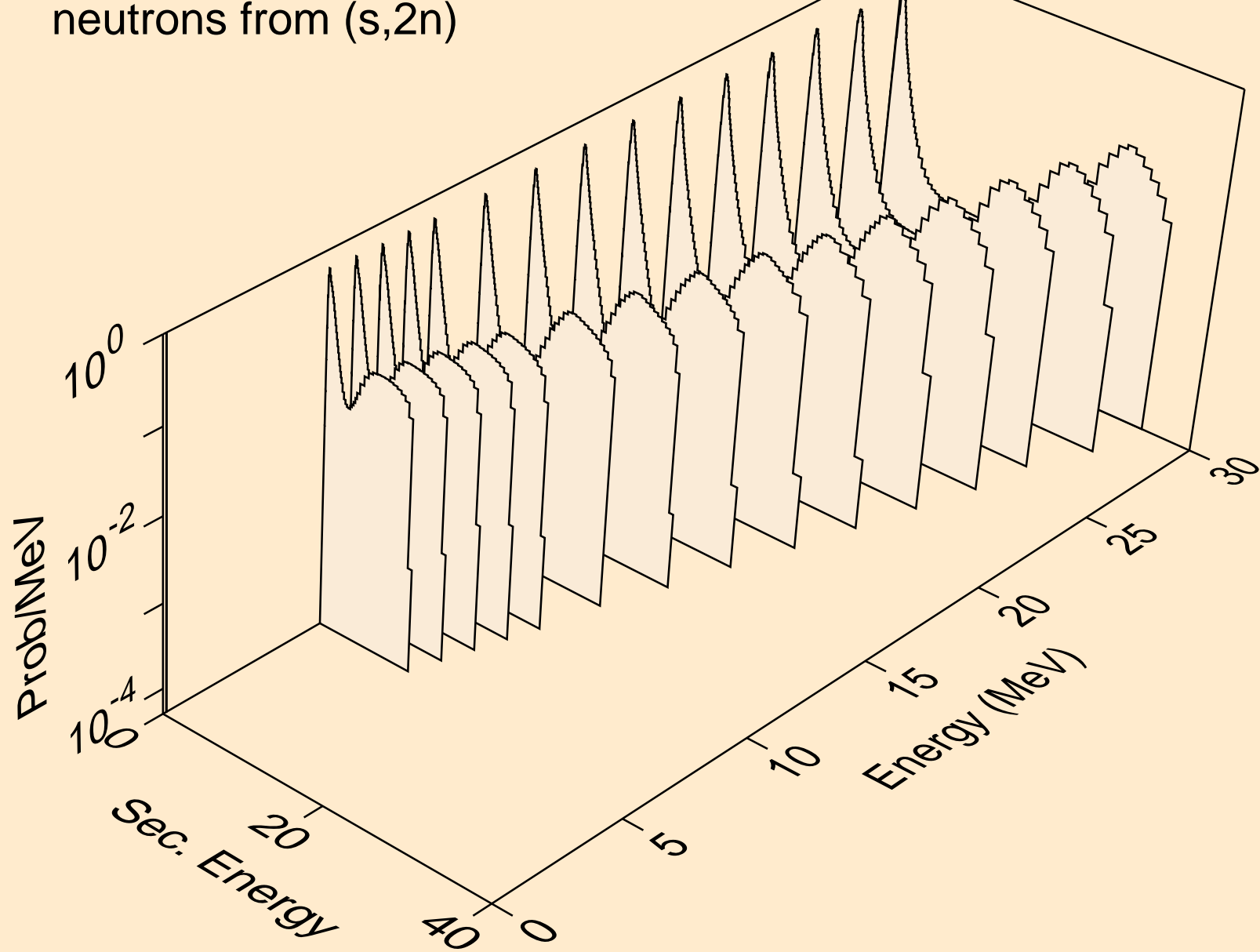


HO175 HELION ACER TENDL-2021 LIBRARY; T=0.K  
neutrons from (s,2nd)

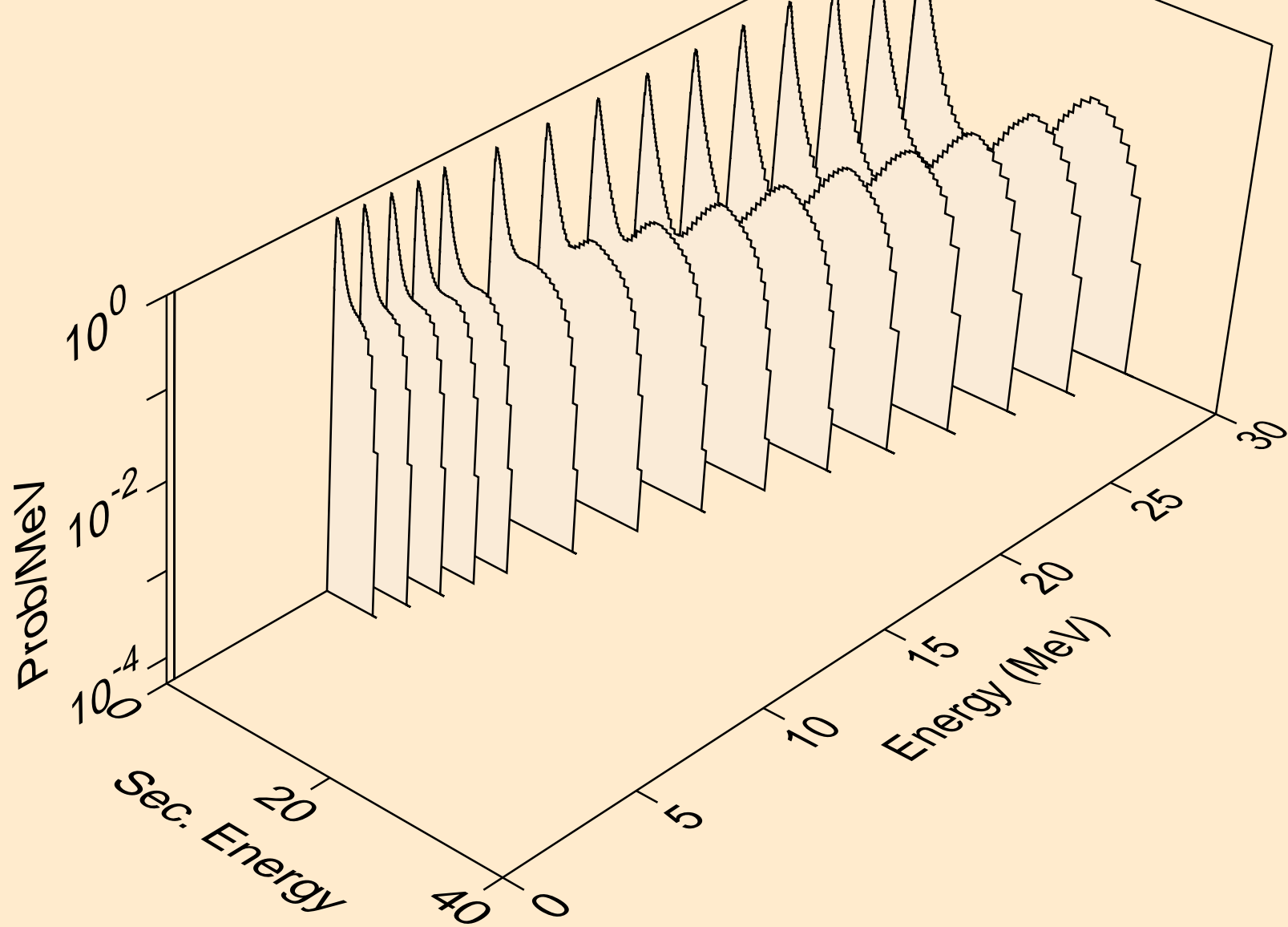




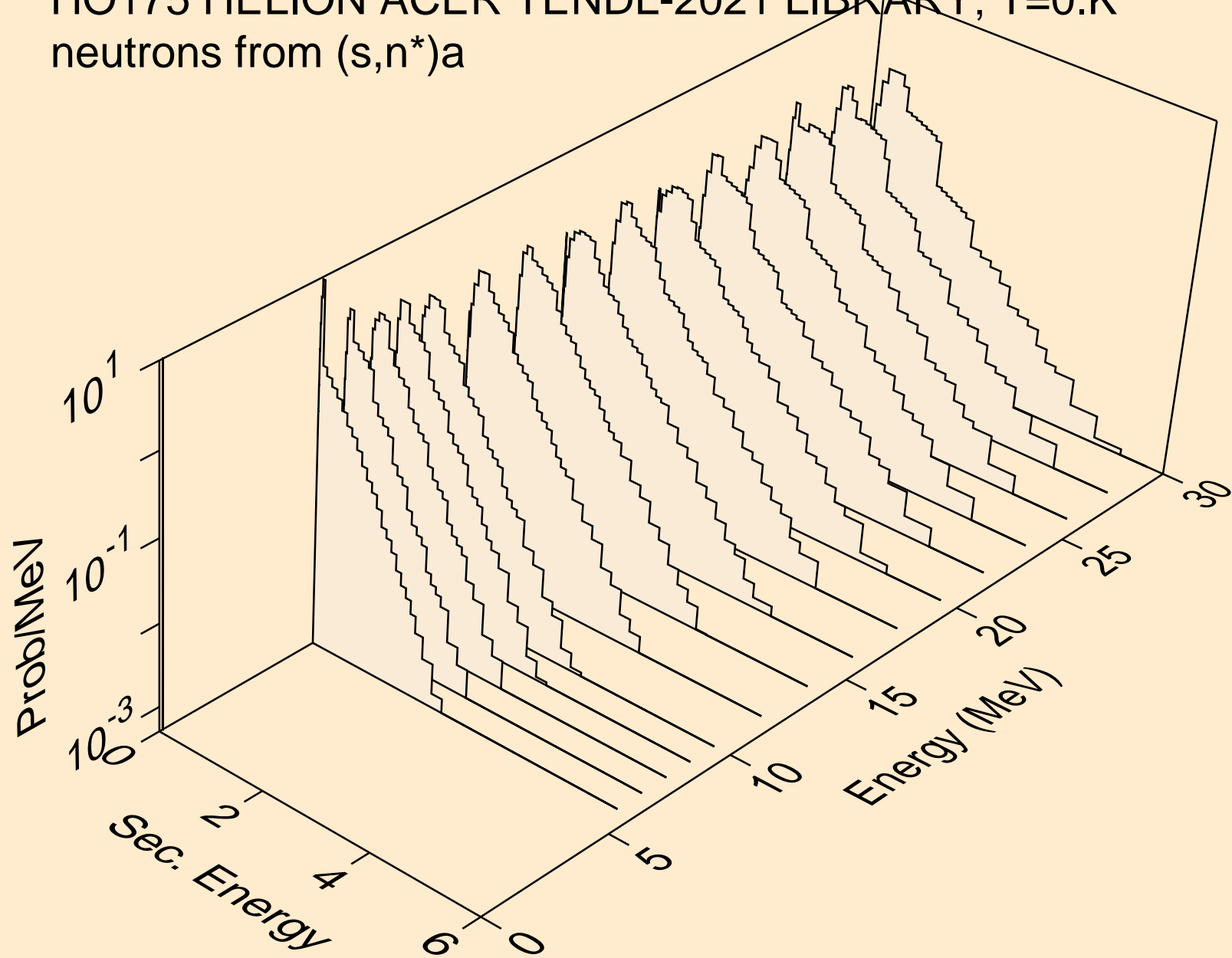
HO175 HELION ACER TENDL-2021 LIBRARY; T=0.K  
neutrons from (s,2n)



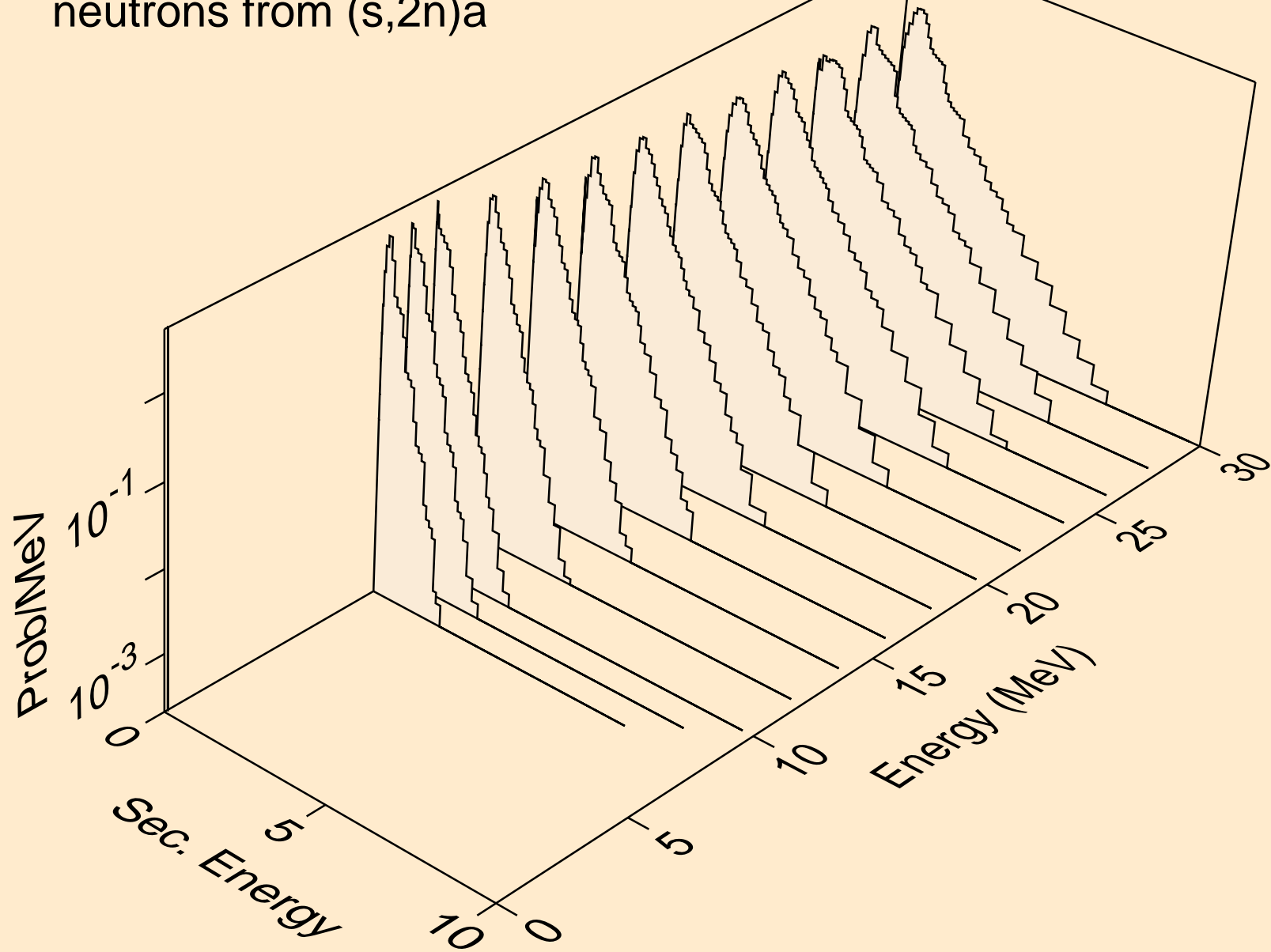
HO175 HELION ACER TENDL-2021 LIBRARY; T=0.K  
neutrons from (s,3n)



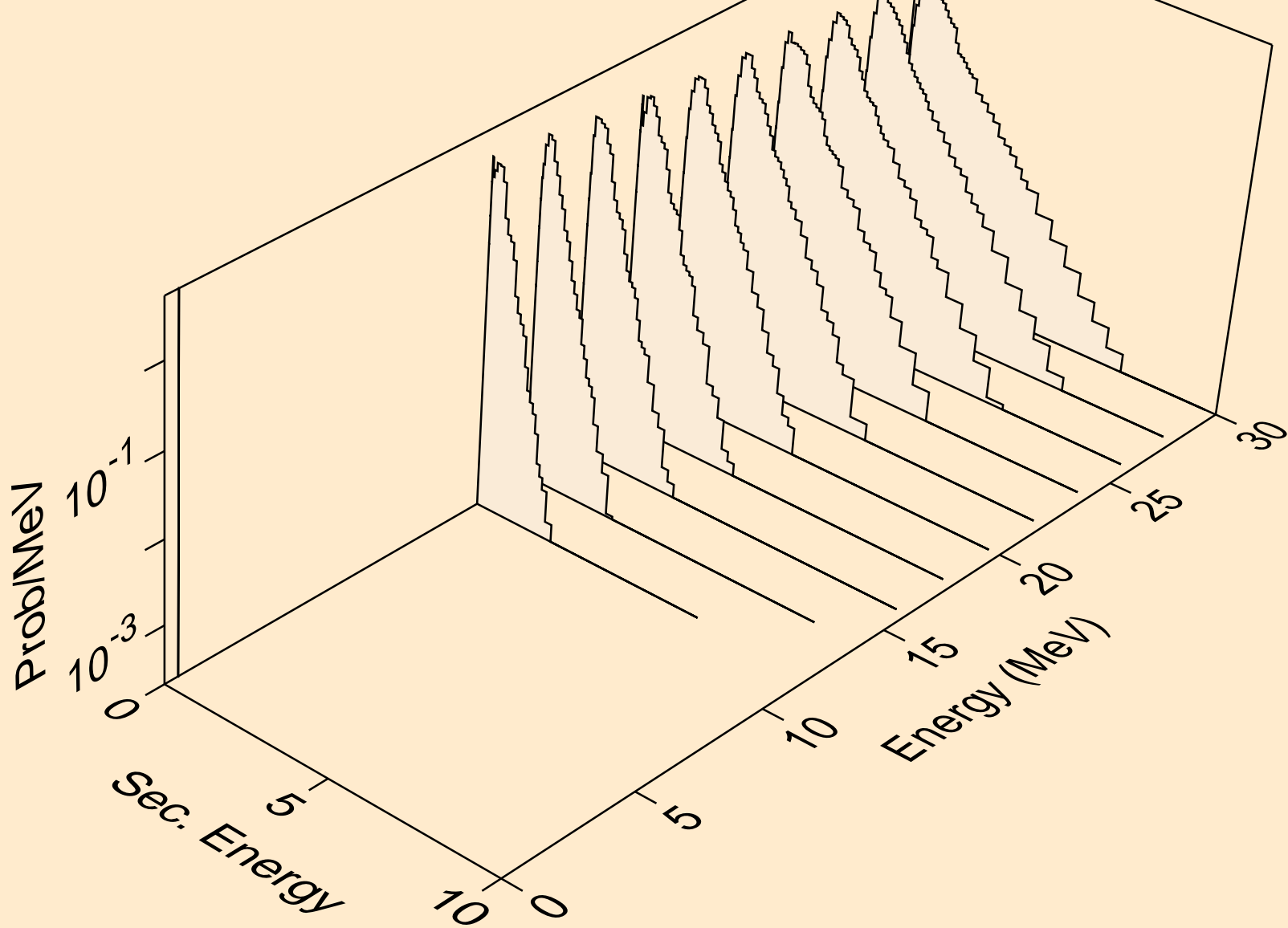
HO175 HELION ACER TENDL-2021 LIBRARY; T=0.K  
neutrons from (s,n\*)a



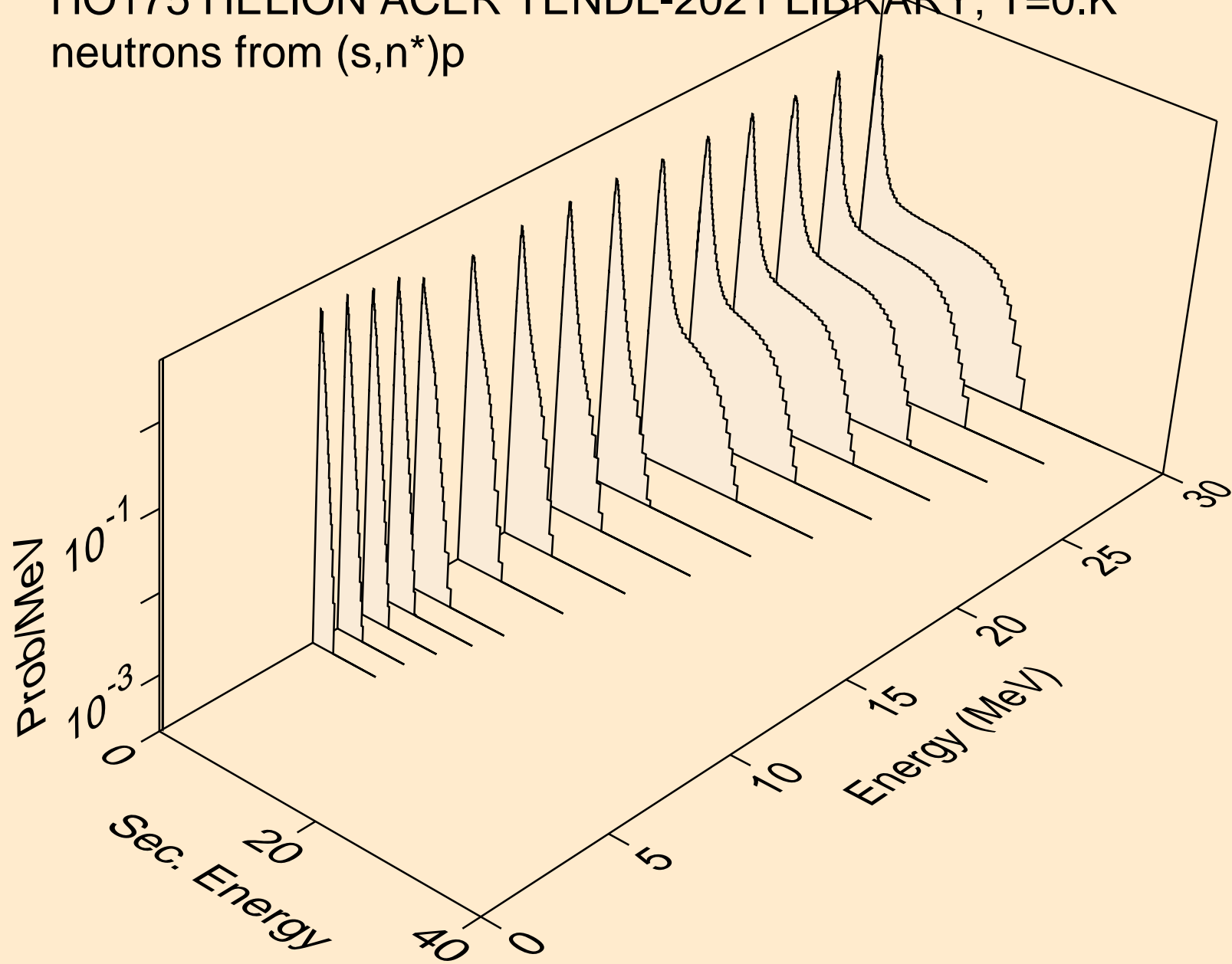
HO175 HELION ACER TENDL-2021 LIBRARY; T=0.K  
neutrons from (s,2n)a



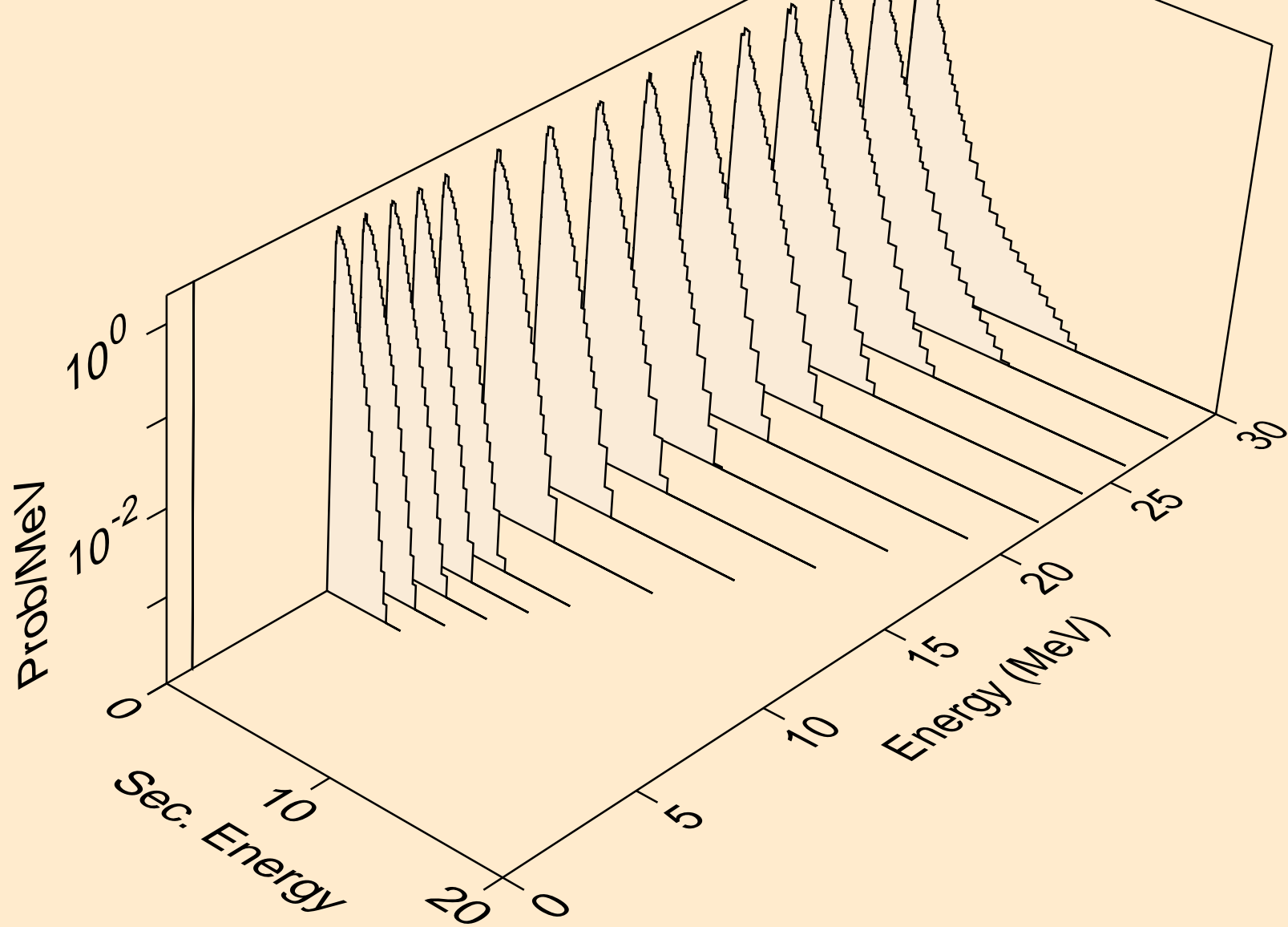
HO175 HELION ACER TENDL-2021 LIBRARY; T=0.K  
neutrons from (s,3n)a



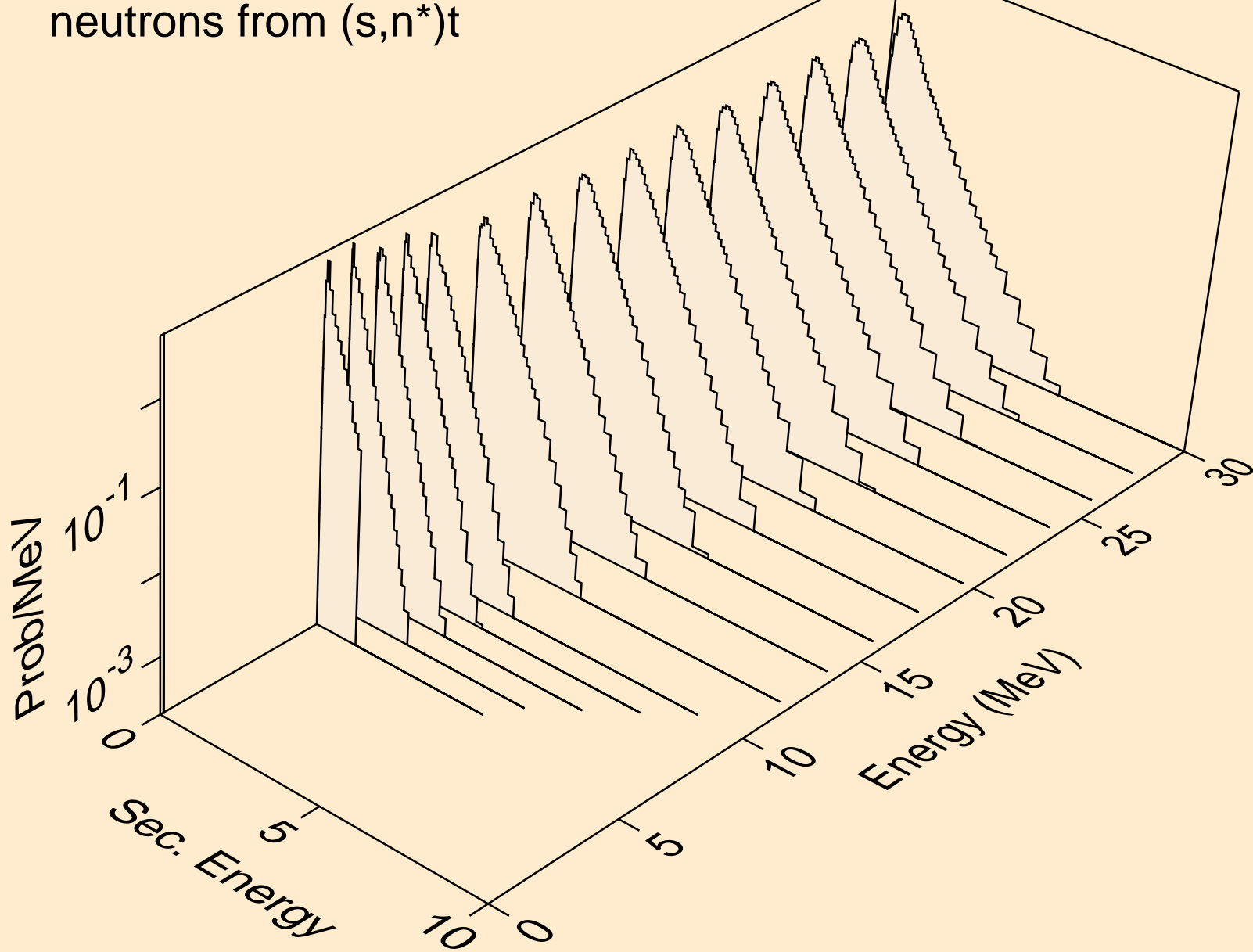
HO175 HELION ACER TENDL-2021 LIBRARY; T=0.K  
neutrons from (s,n\*)p



HO175 HELION ACER TENDL-2021 LIBRARY; T=0.K  
neutrons from (s,n\*)d

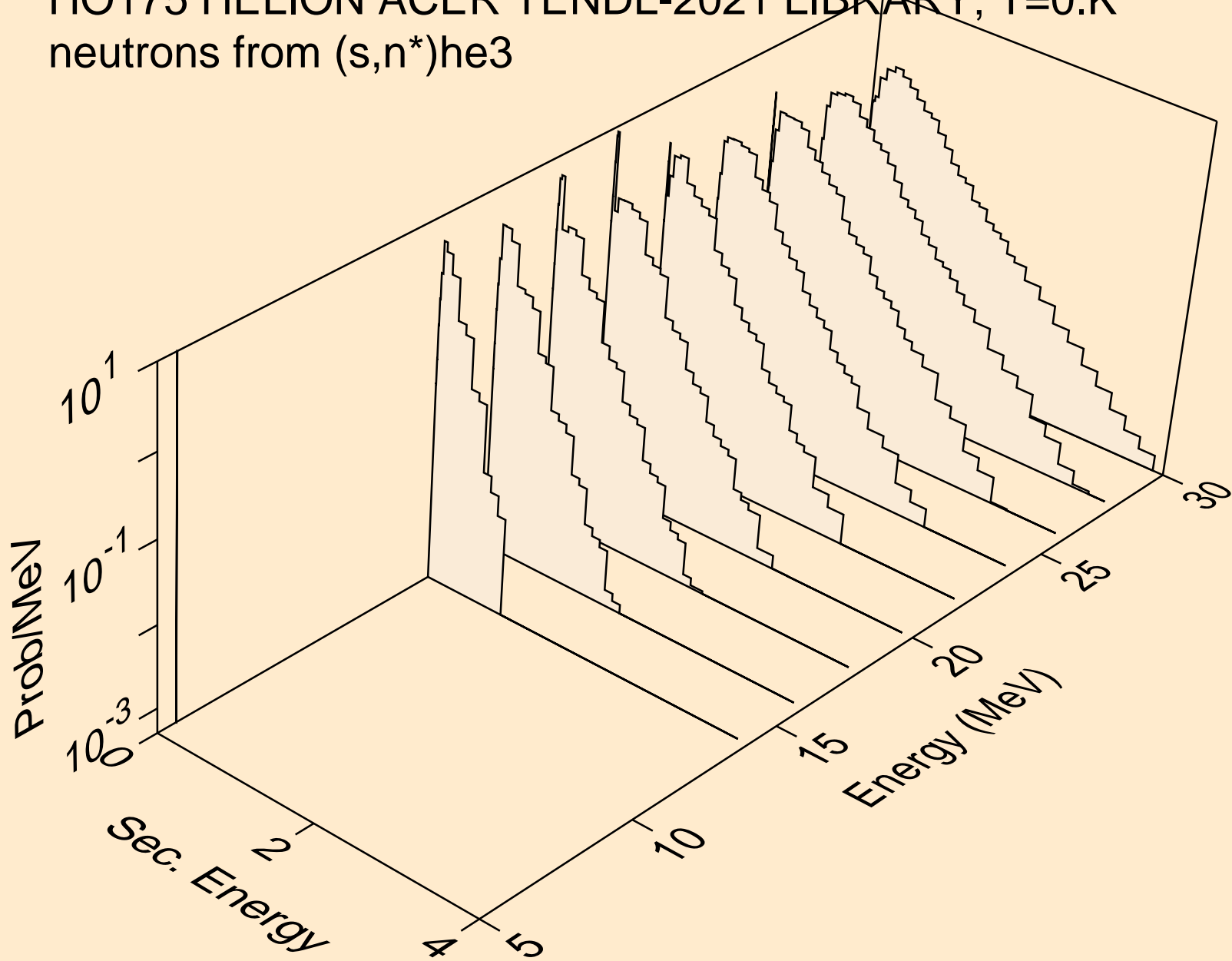


HO175 HELION ACER TENDL-2021 LIBRARY; T=0.K  
neutrons from (s,n\*)t

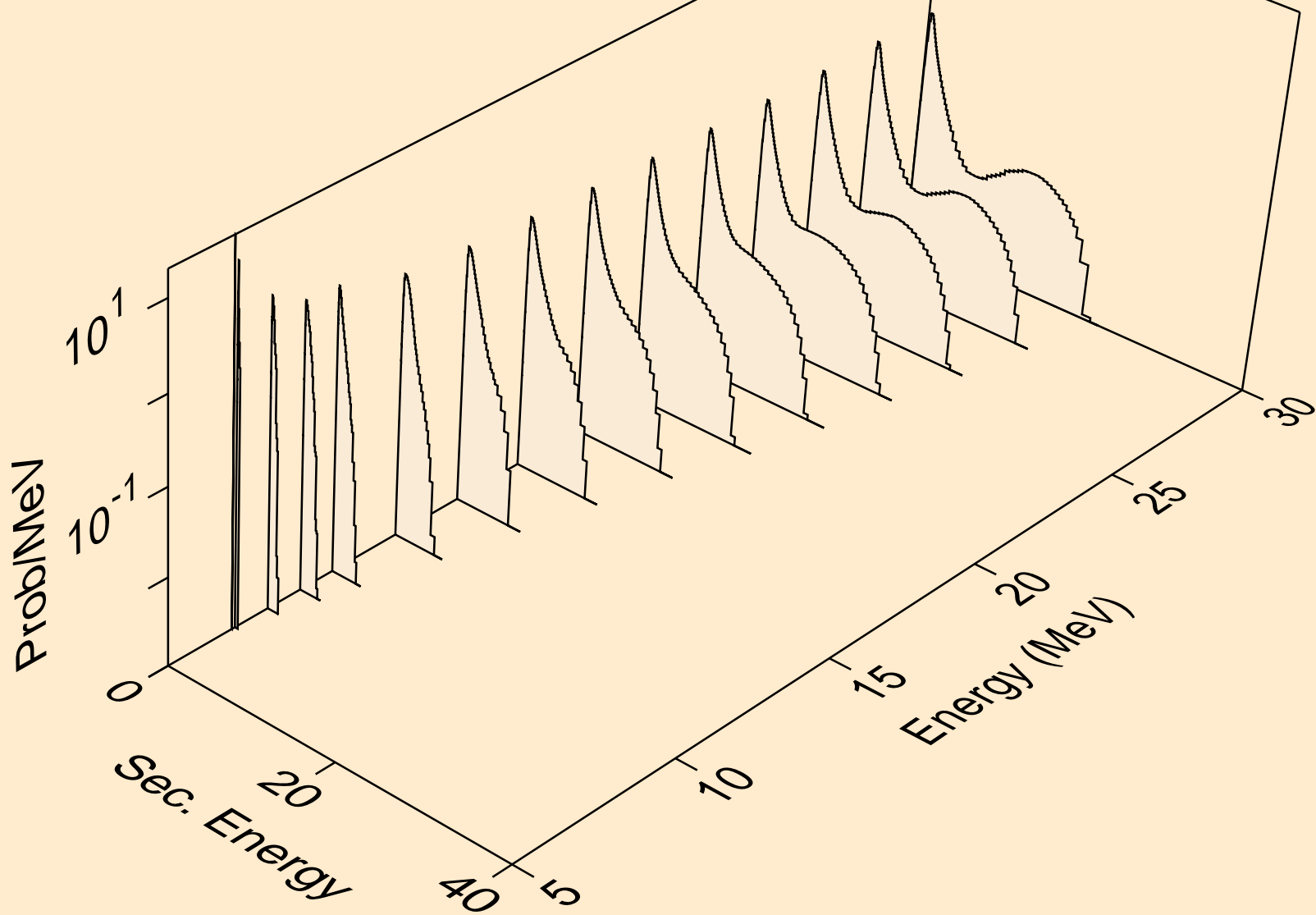




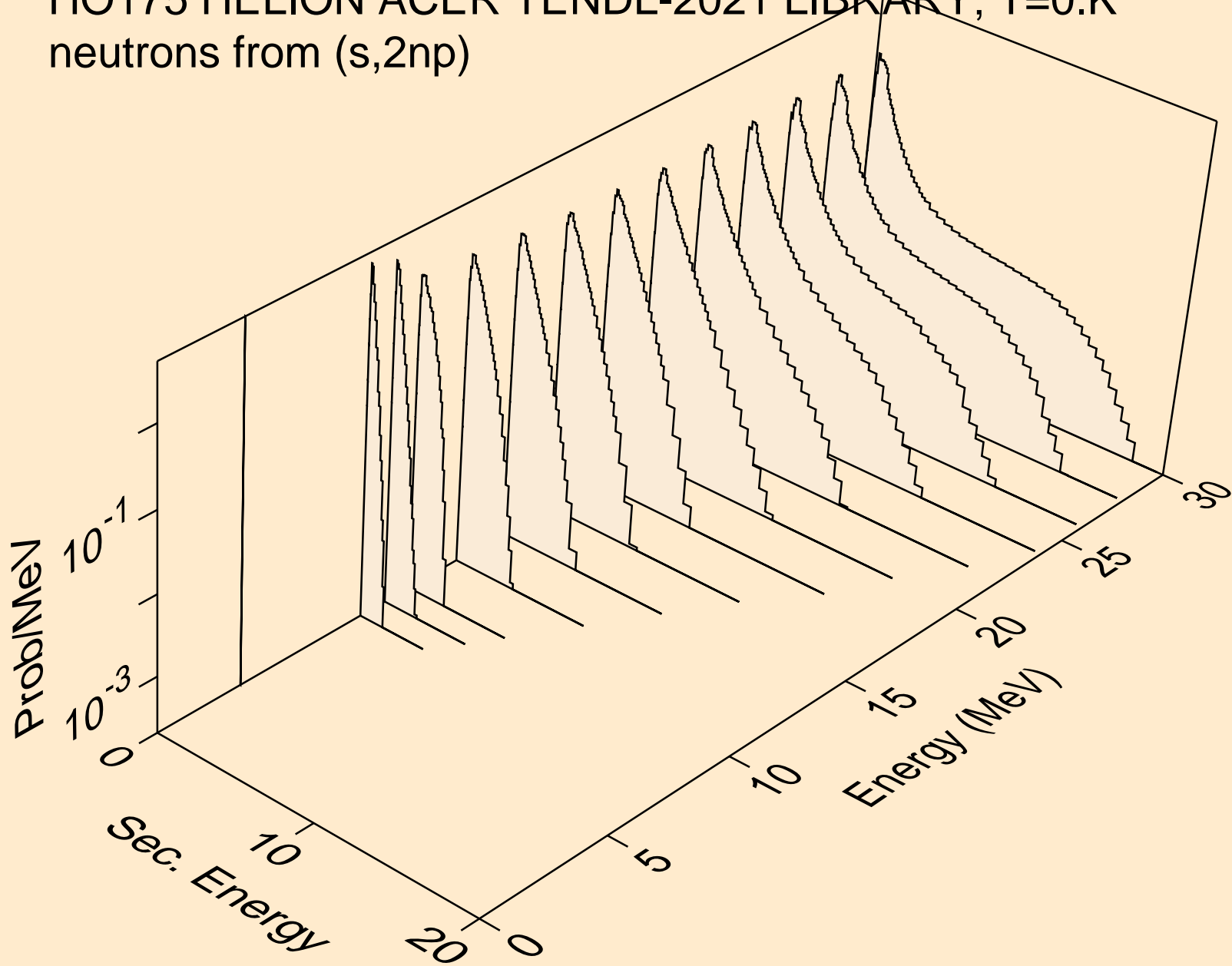
HO175 HELION ACER TENDL-2021 LIBRARY; T=0.K  
neutrons from (s,n\*)he3



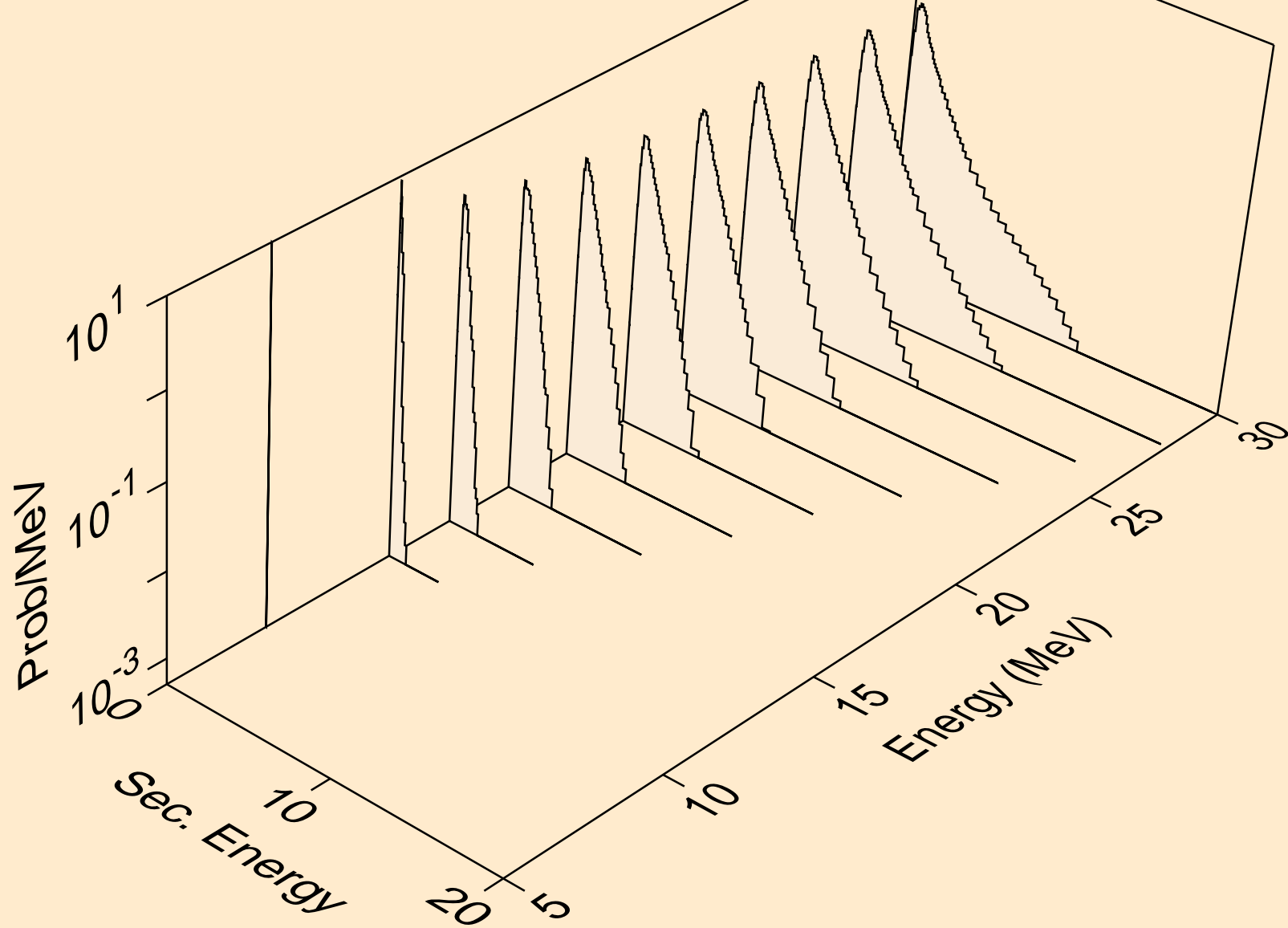
HO175 HELION ACER TENDL-2021 LIBRARY; T=0.K  
neutrons from (s,4n)



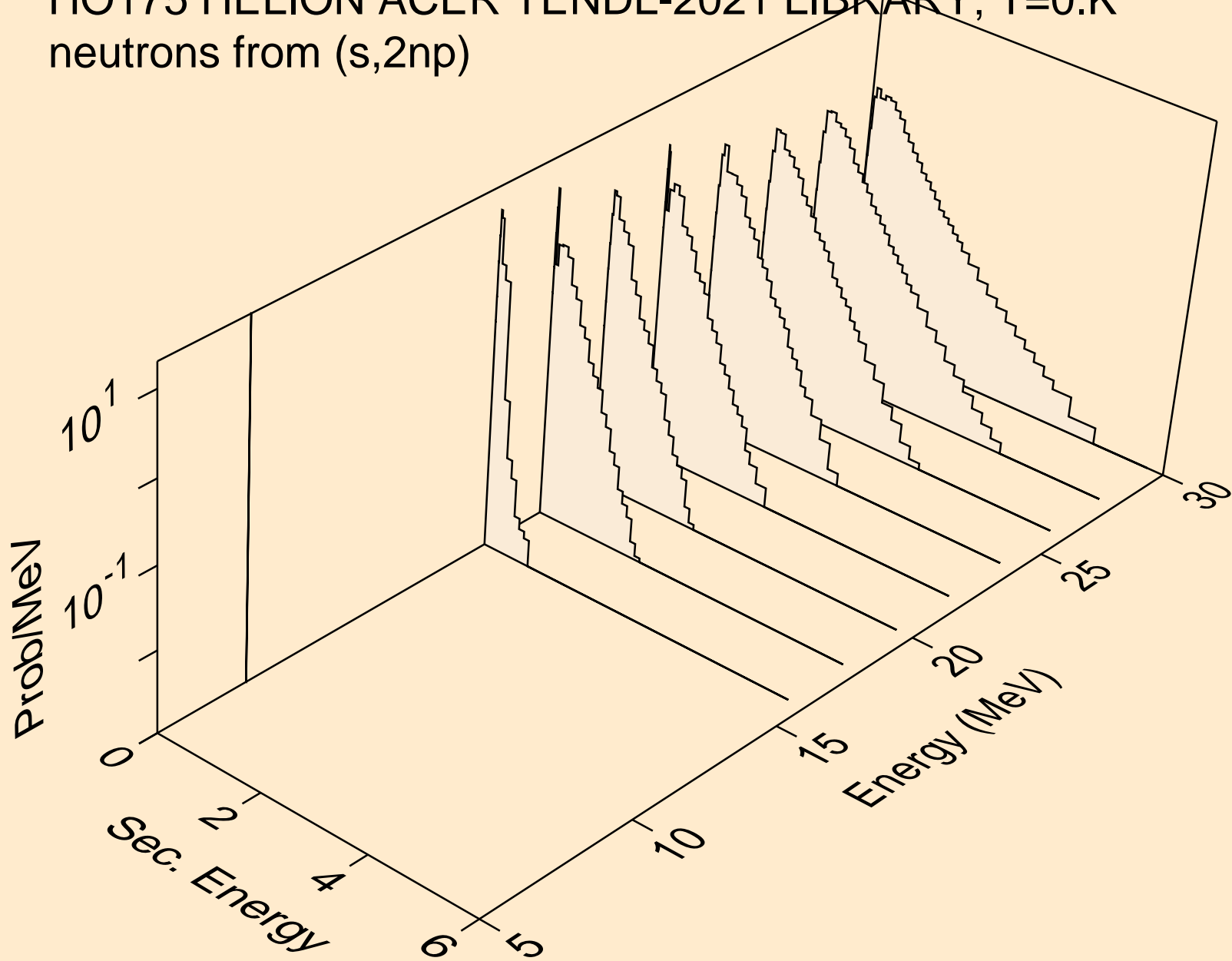
HO175 HELION ACER TENDL-2021 LIBRARY; T=0.K  
neutrons from (s,2np)



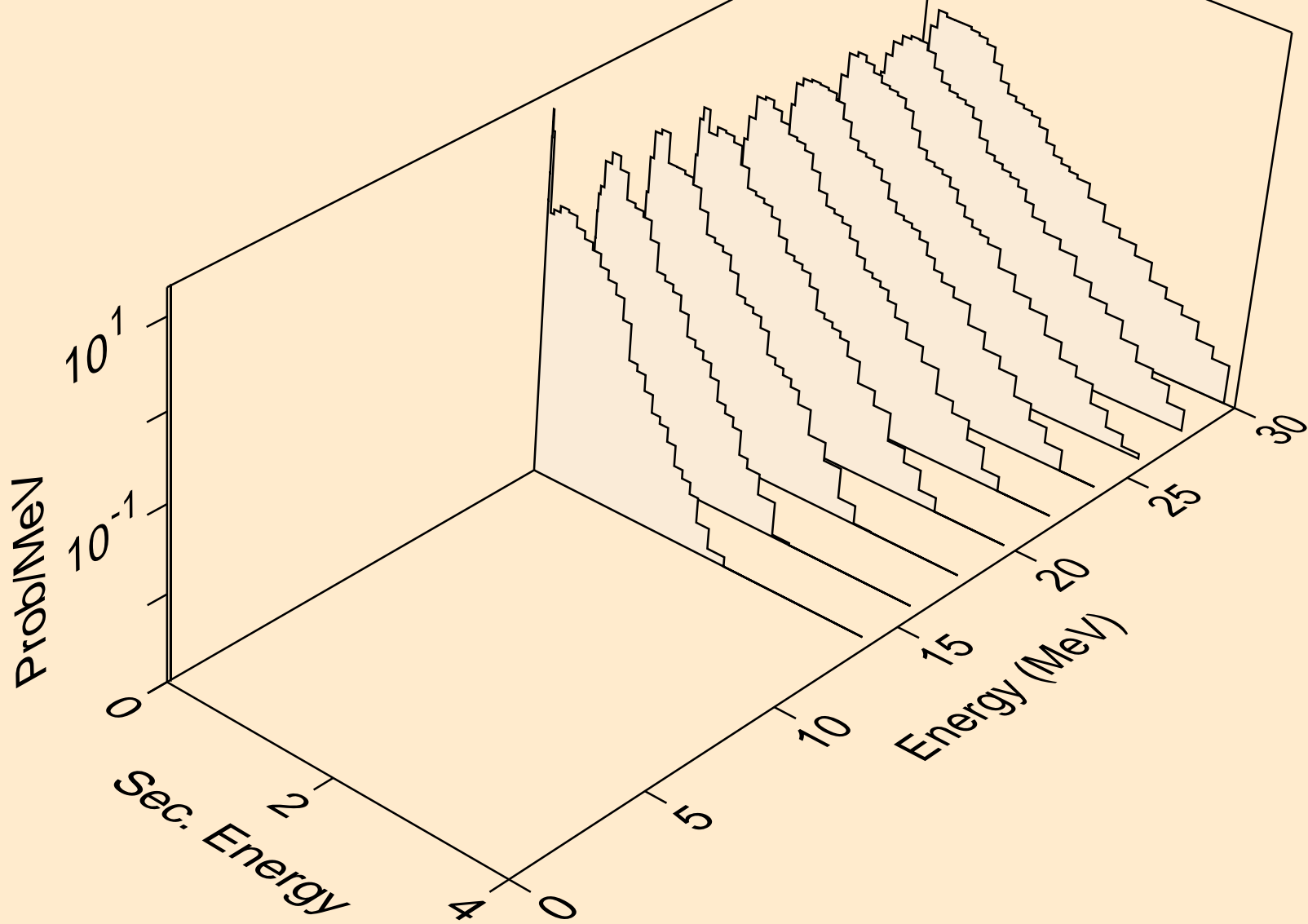
HO175 HELION ACER TENDL-2021 LIBRARY; T=0.K  
neutrons from (s,3np)



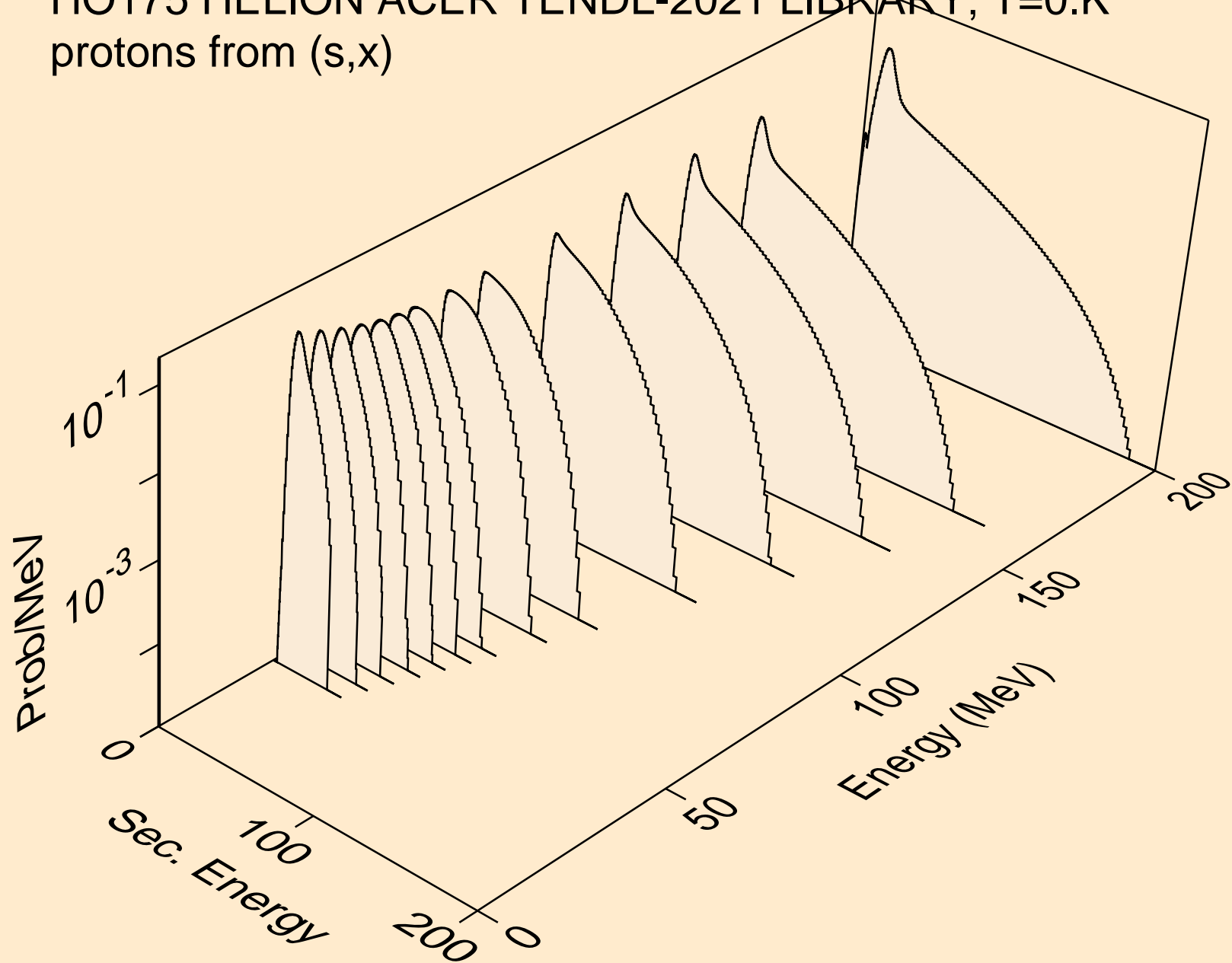
HO175 HELION ACER TENDL-2021 LIBRARY; T=0.K  
neutrons from (s,2np)



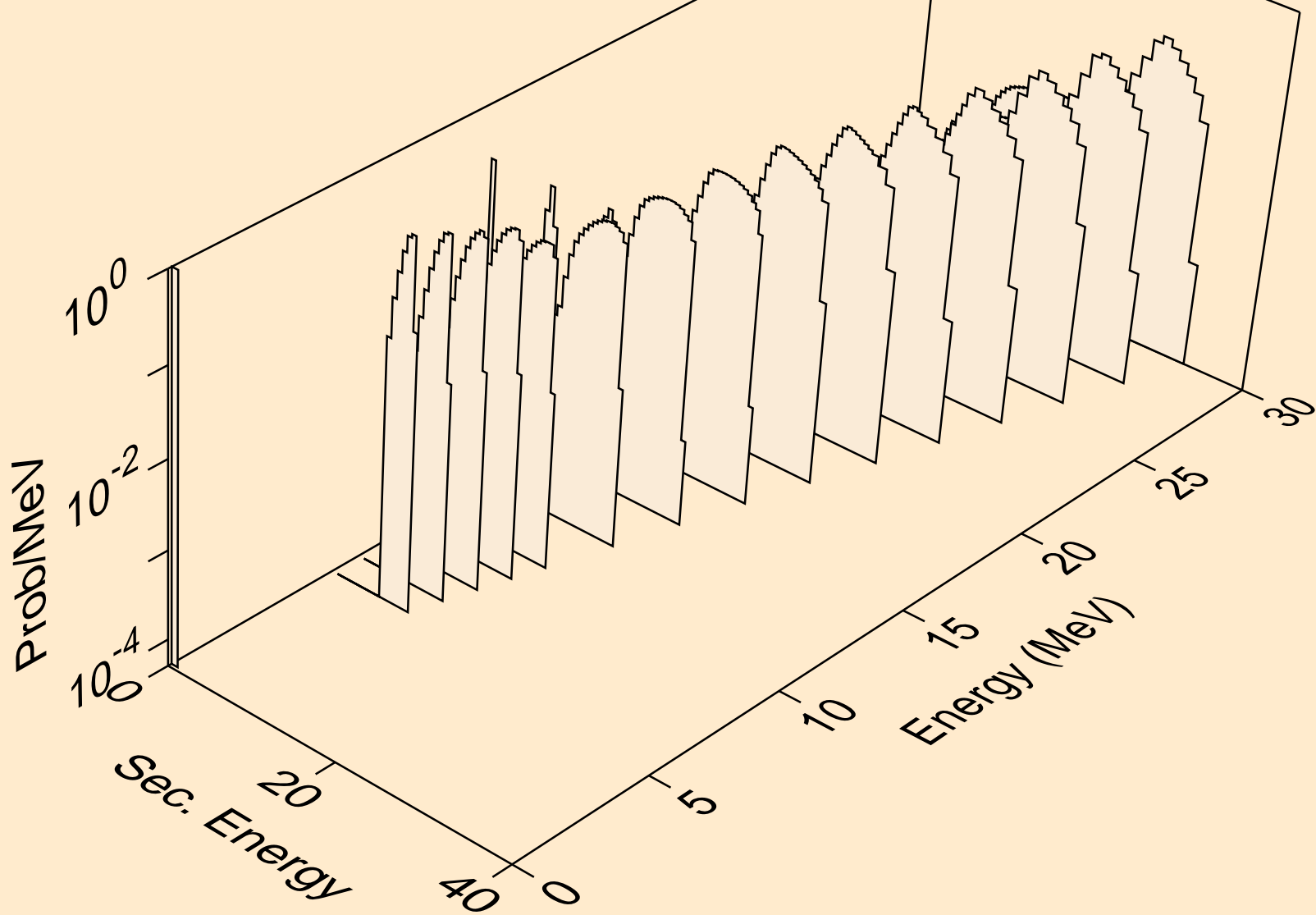
HO175 HELION ACER TENDL-2021 LIBRARY; T=0.K  
neutrons from (s,npa)



HO175 HELION ACER TENDL-2021 LIBRARY; T=0.K  
protons from (s,x)

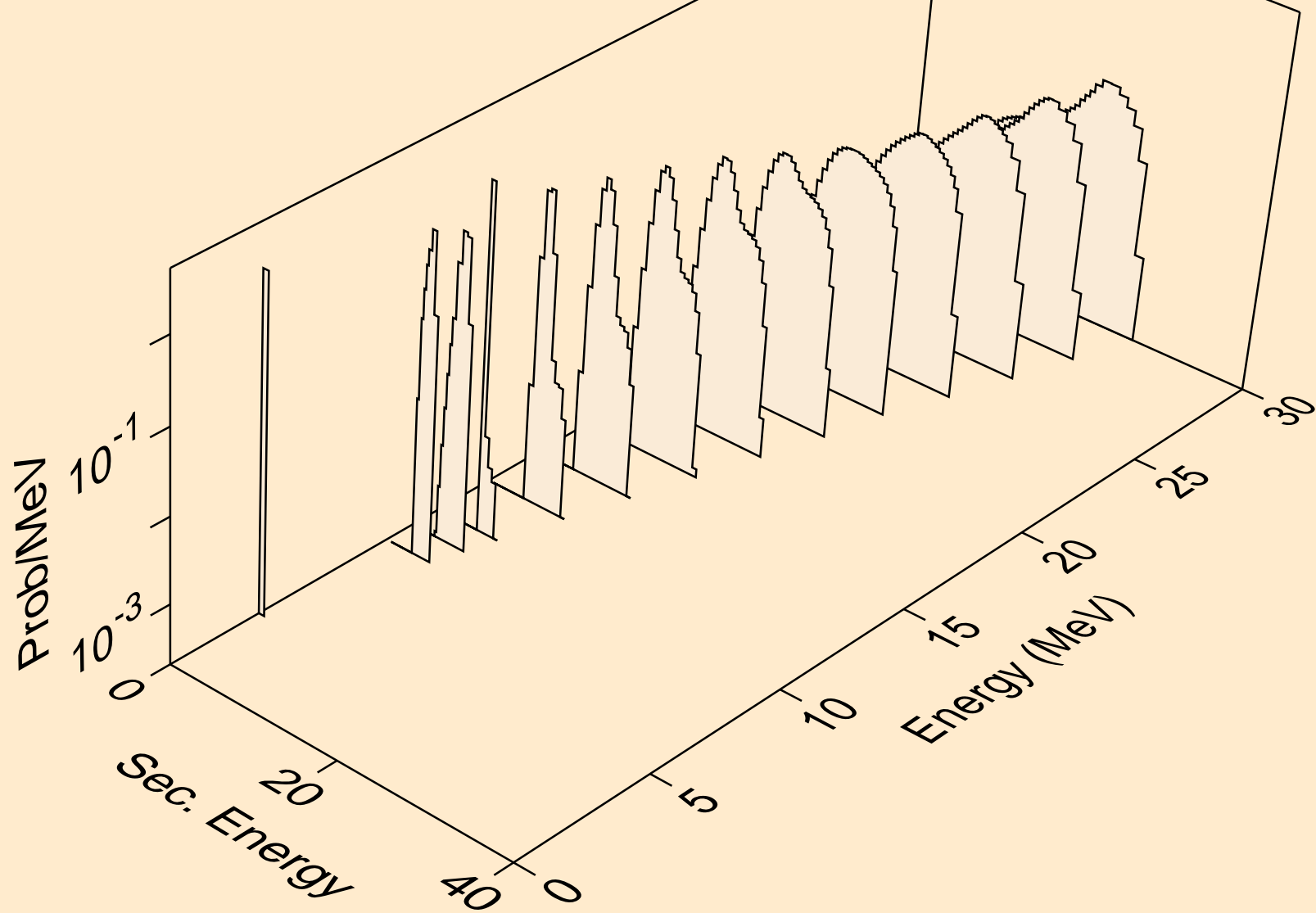


HO175 HELION ACER TENDL-2021 LIBRARY; T=0.K  
protons from (s,n\*)p

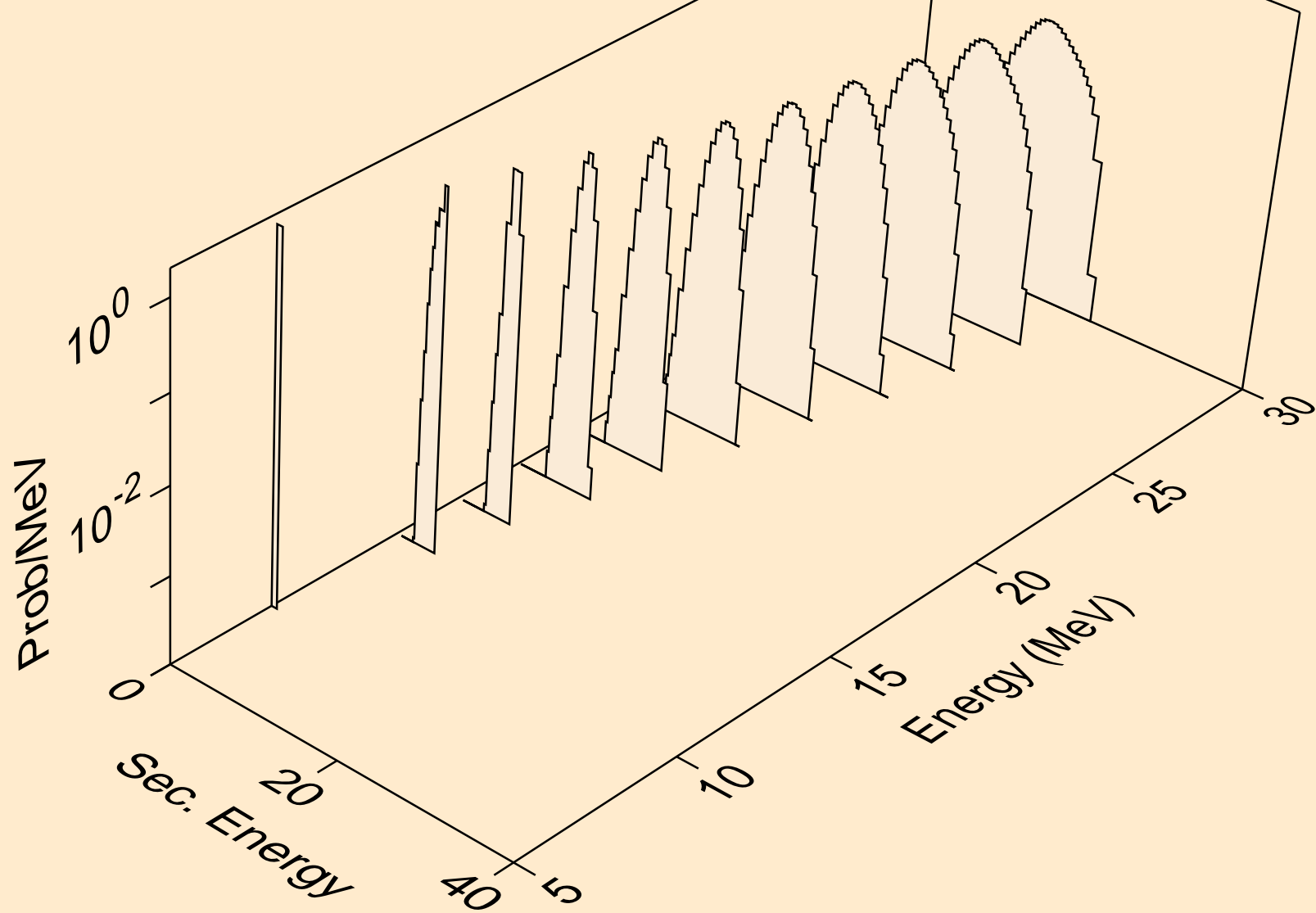




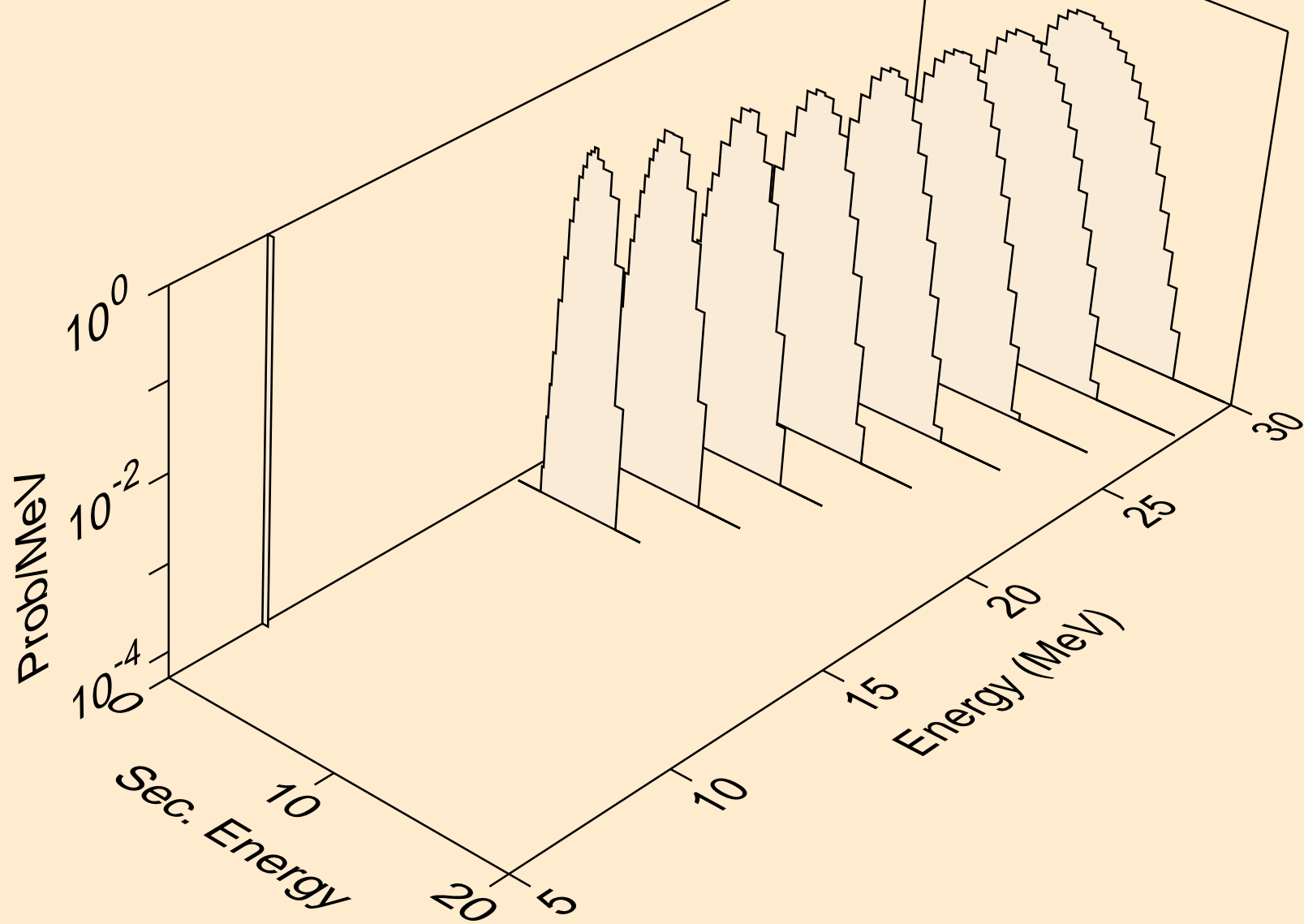
HO175 HELION ACER TENDL-2021 LIBRARY; T=0.K  
protons from (s,2np)



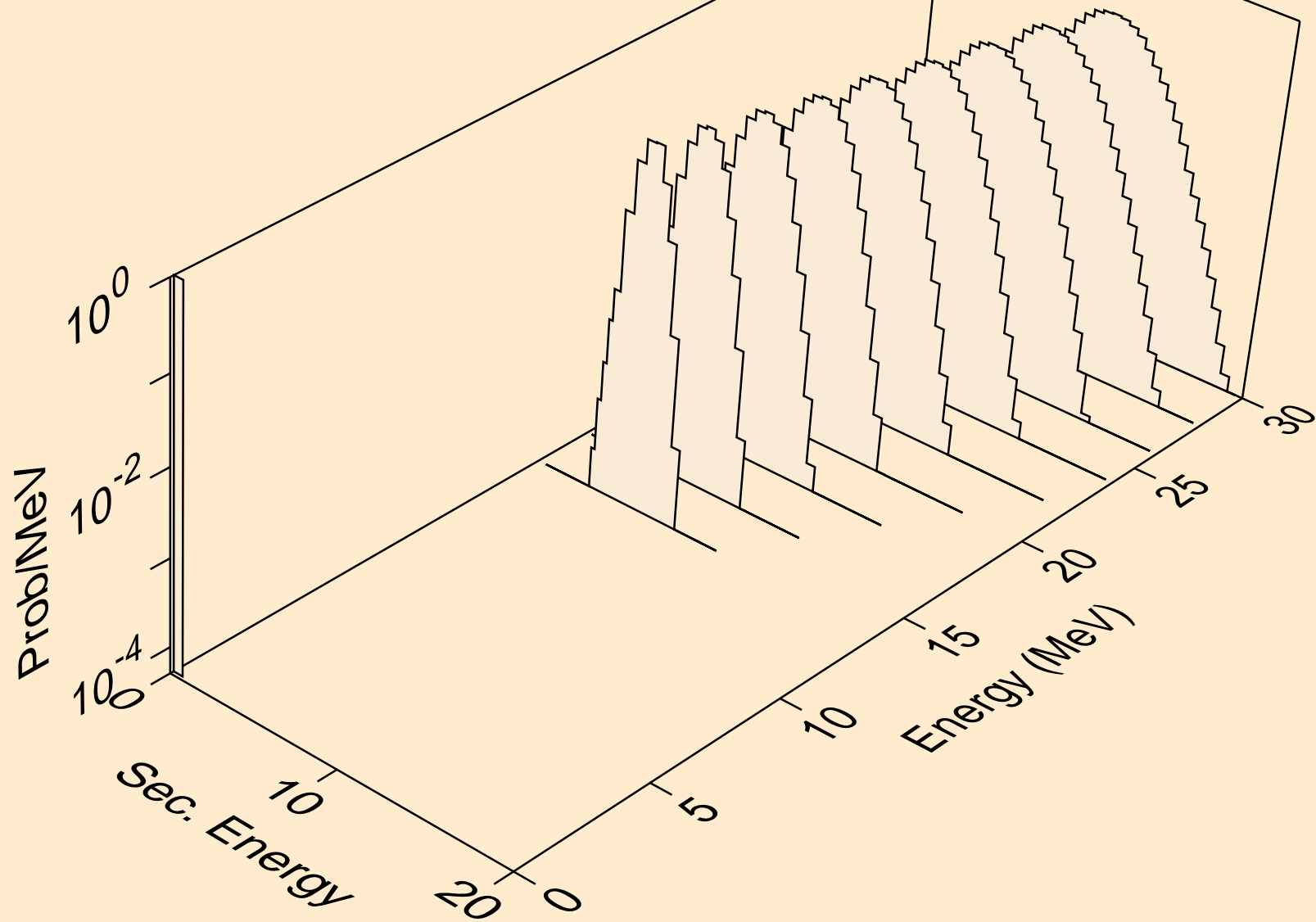
HO175 HELION ACER TENDL-2021 LIBRARY; T=0.K  
protons from (s,3np)



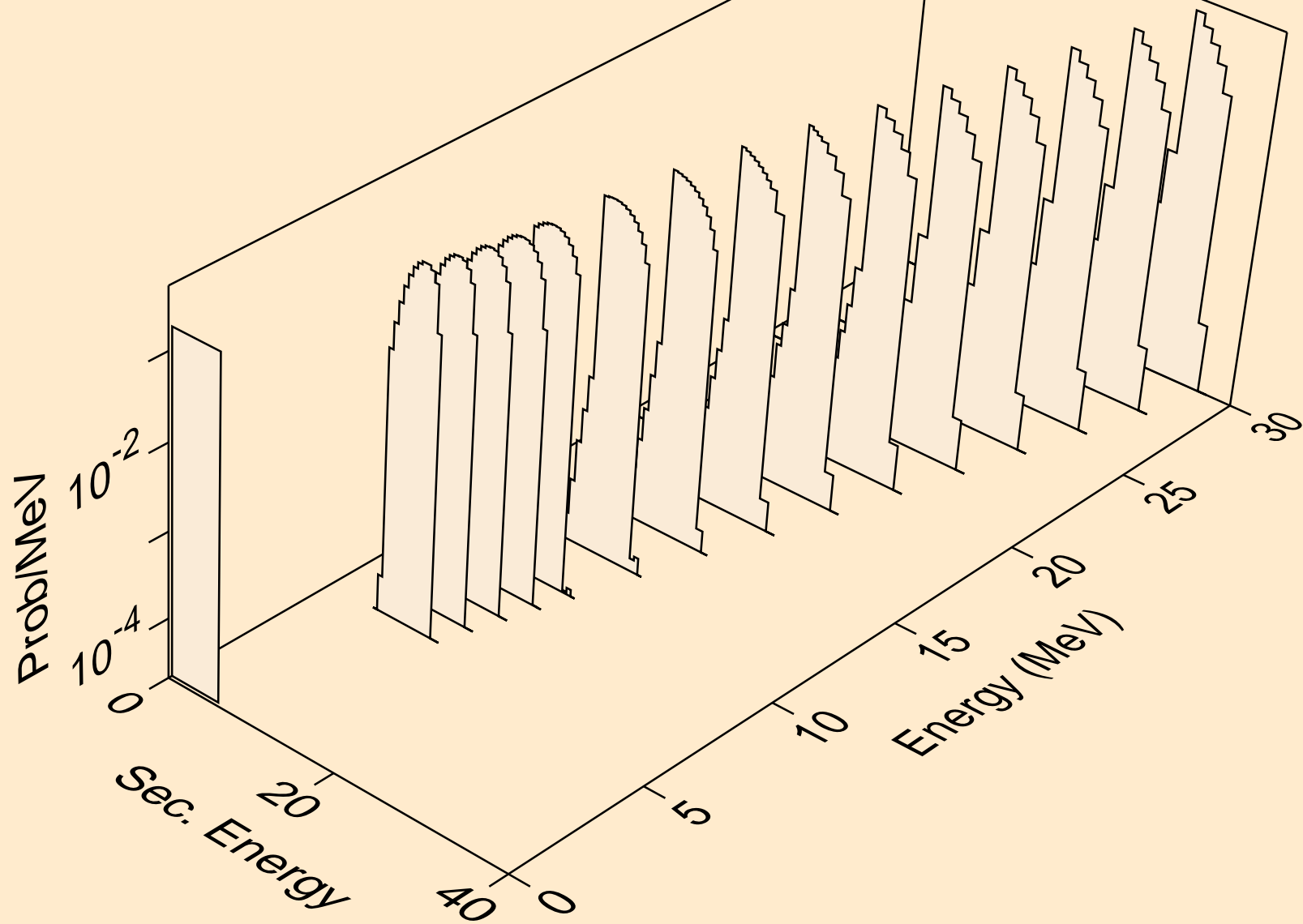
HO175 HELION ACER TENDL-2021 LIBRARY; T=0.K  
protons from (s,2np)



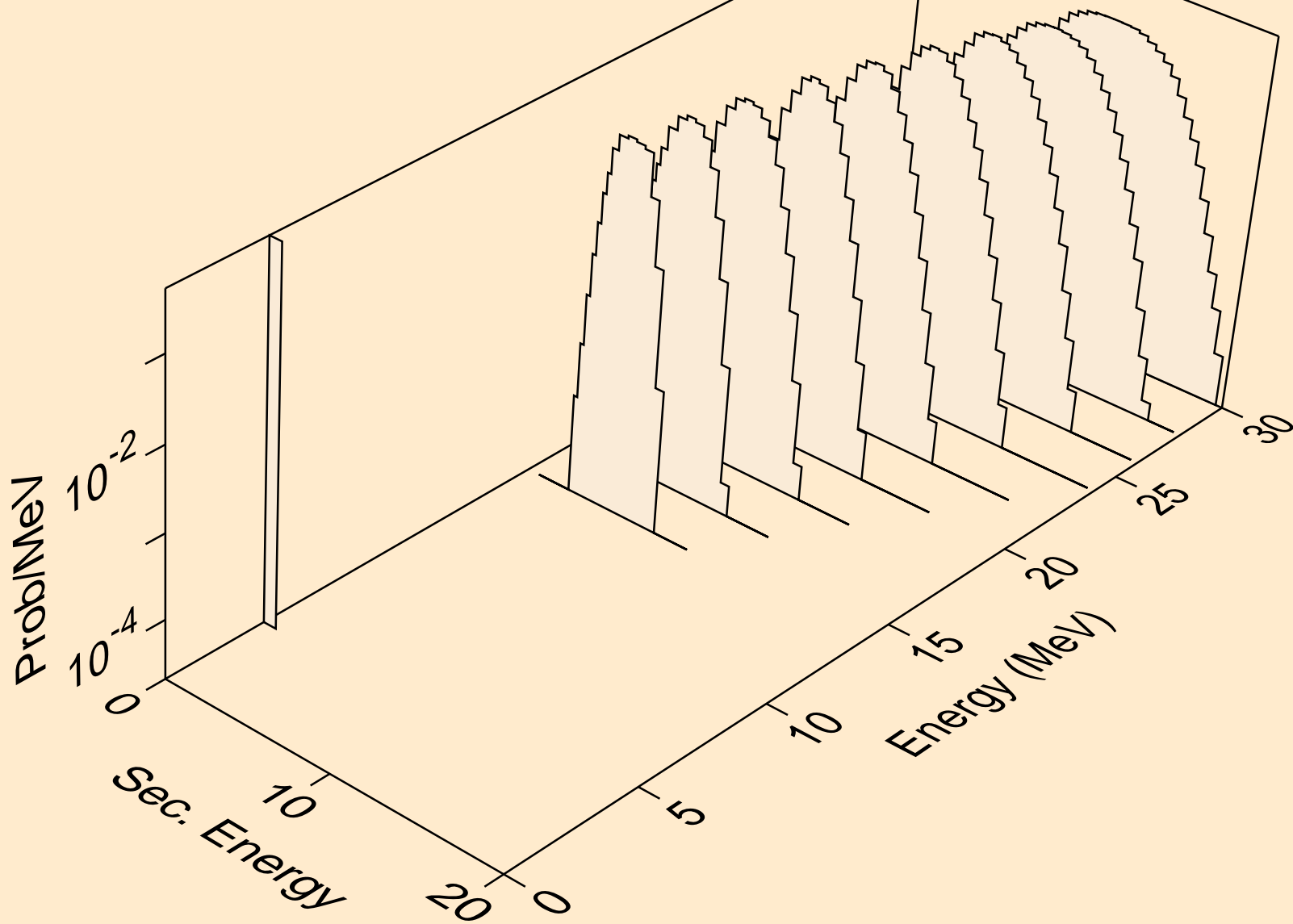
HO175 HELION ACER TENDL-2021 LIBRARY; T=0.K  
protons from (s,npa)



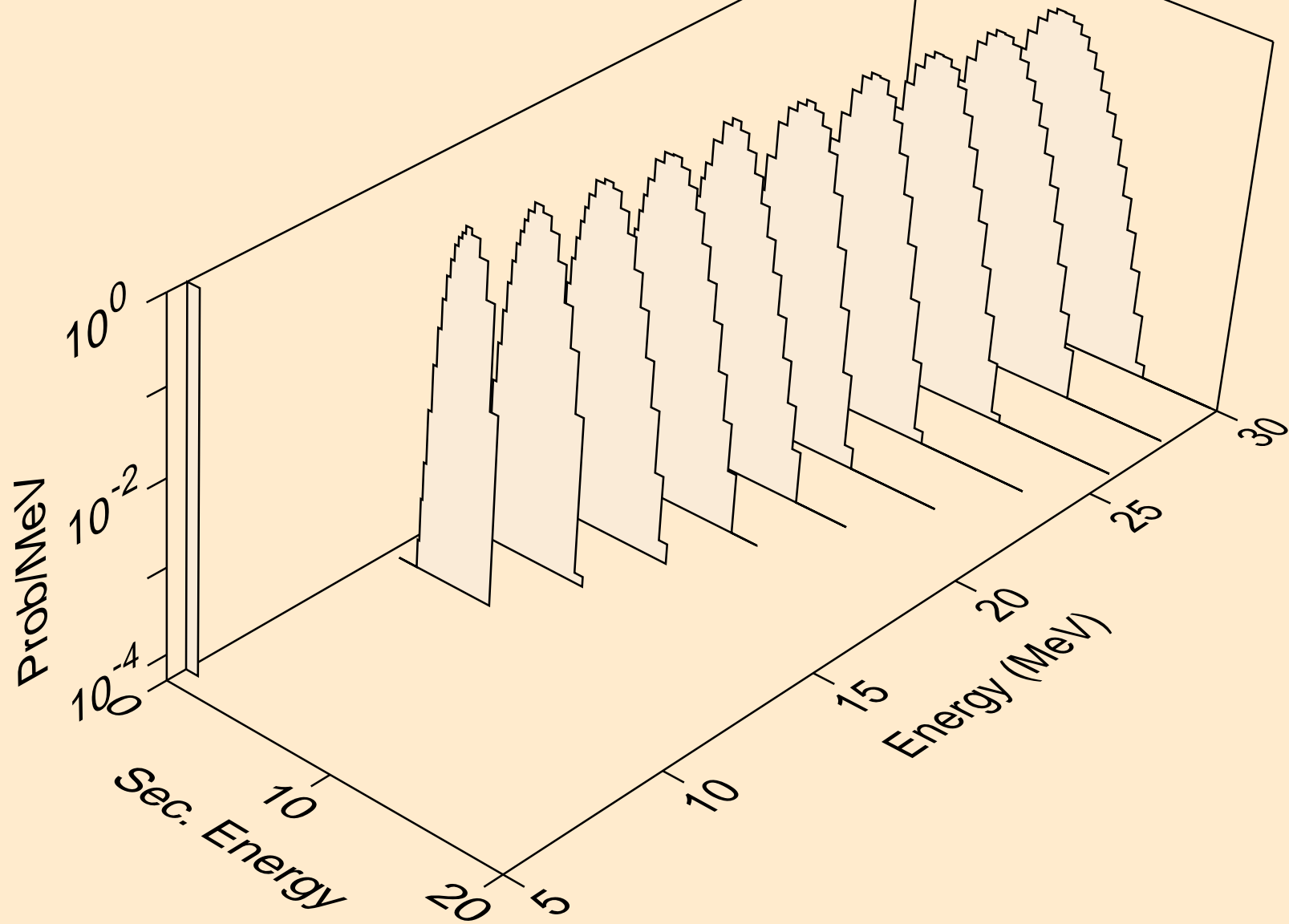
HO175 HELION ACER TENDL-2021 LIBRARY; T=0.K  
protons from (s,p)



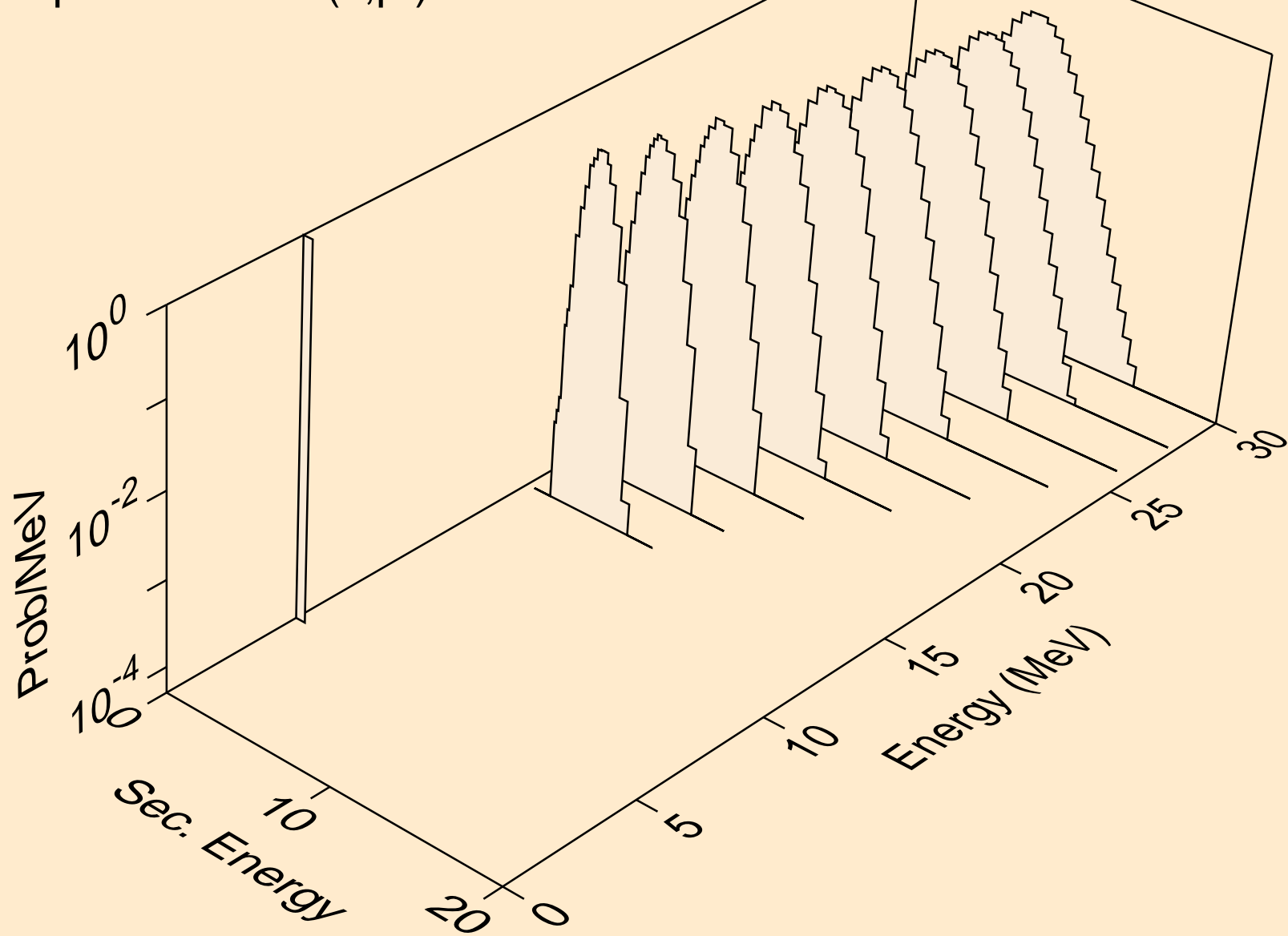
HO175 HELION ACER TENDL-2021 LIBRARY; T=0.K  
protons from (s,2p)



HO175 HELION ACER TENDL-2021 LIBRARY; T=0.K  
protons from (s,pd)

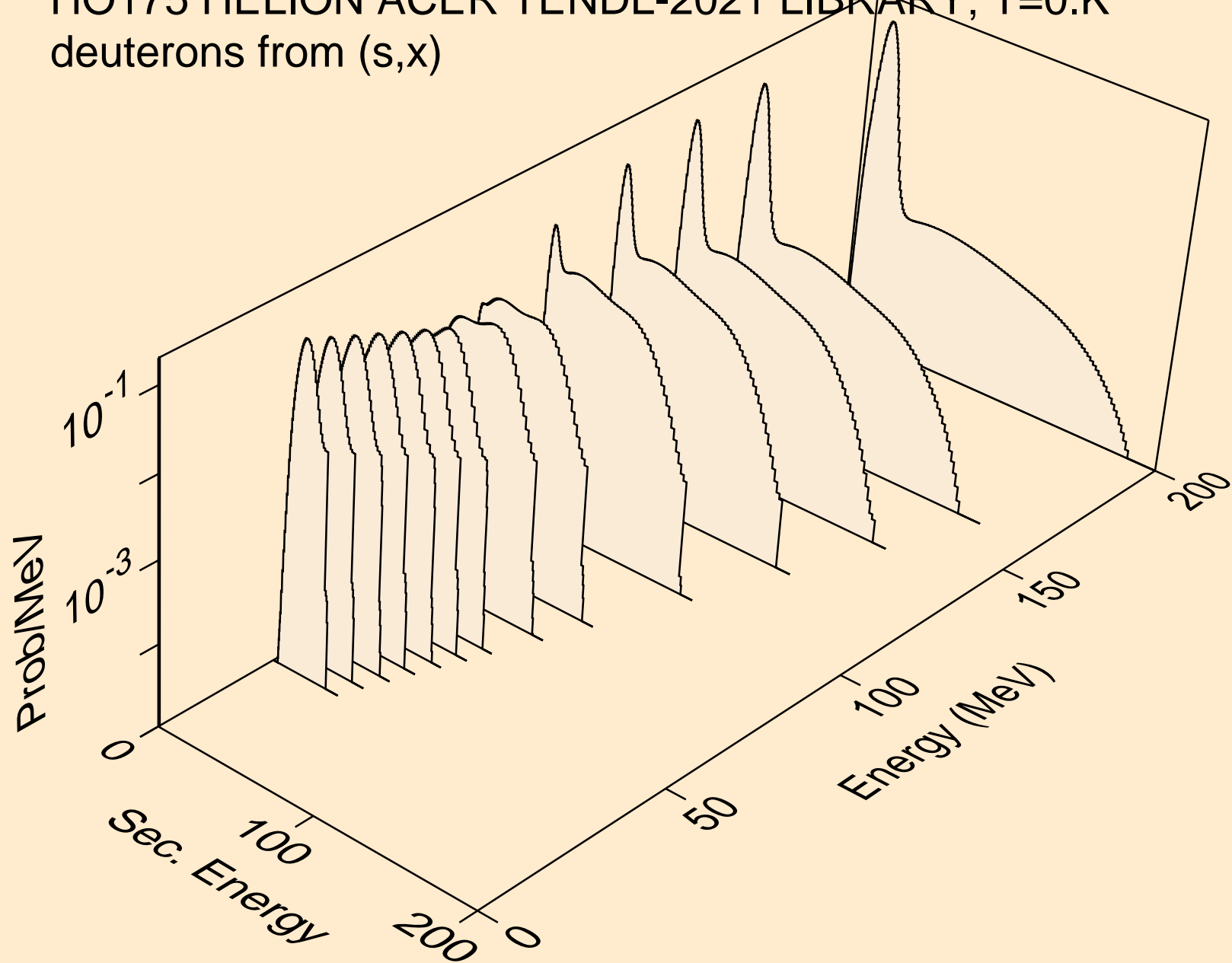


HO175 HELION ACER TENDL-2021 LIBRARY; T=0.K  
protons from (s,pt)

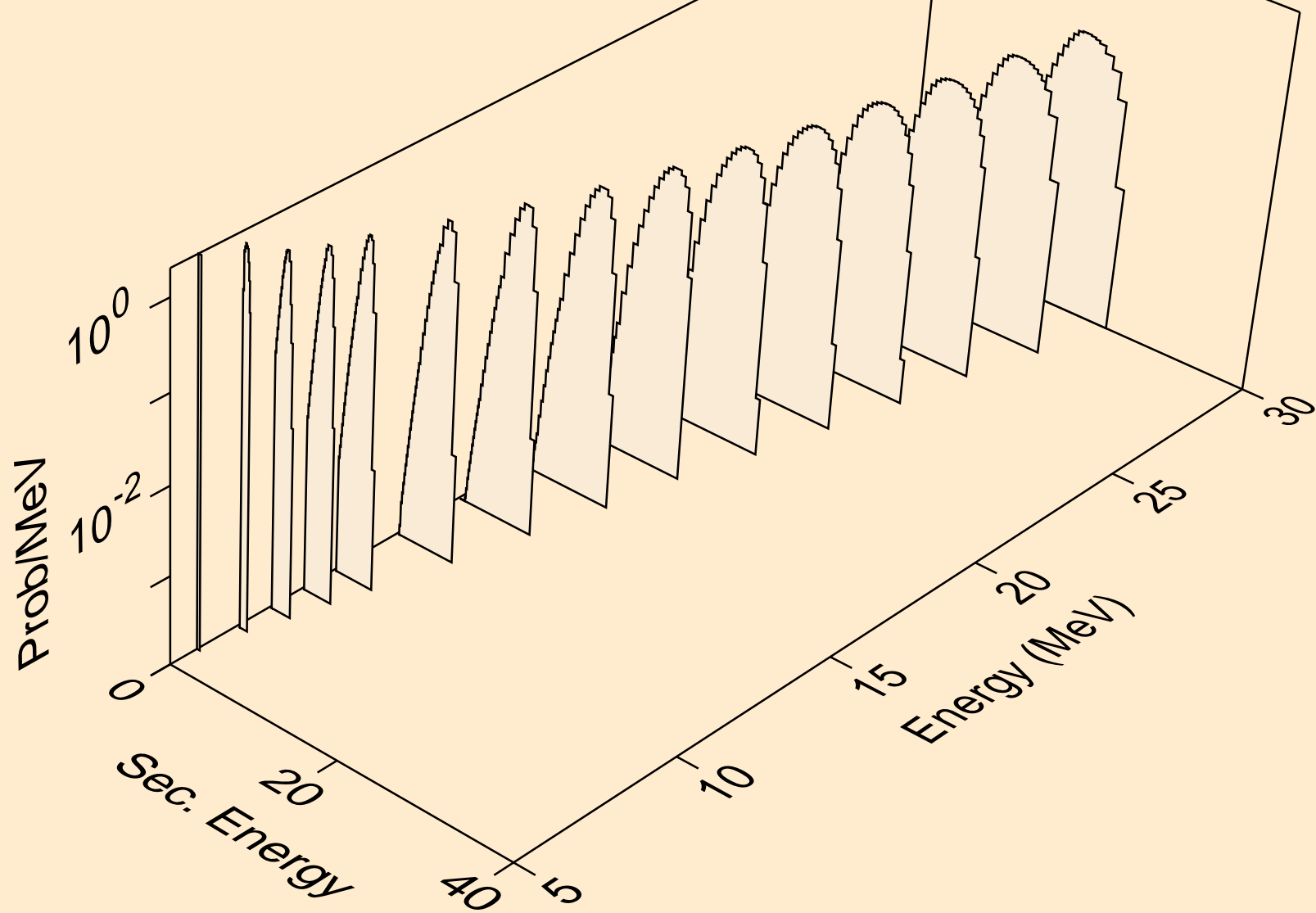




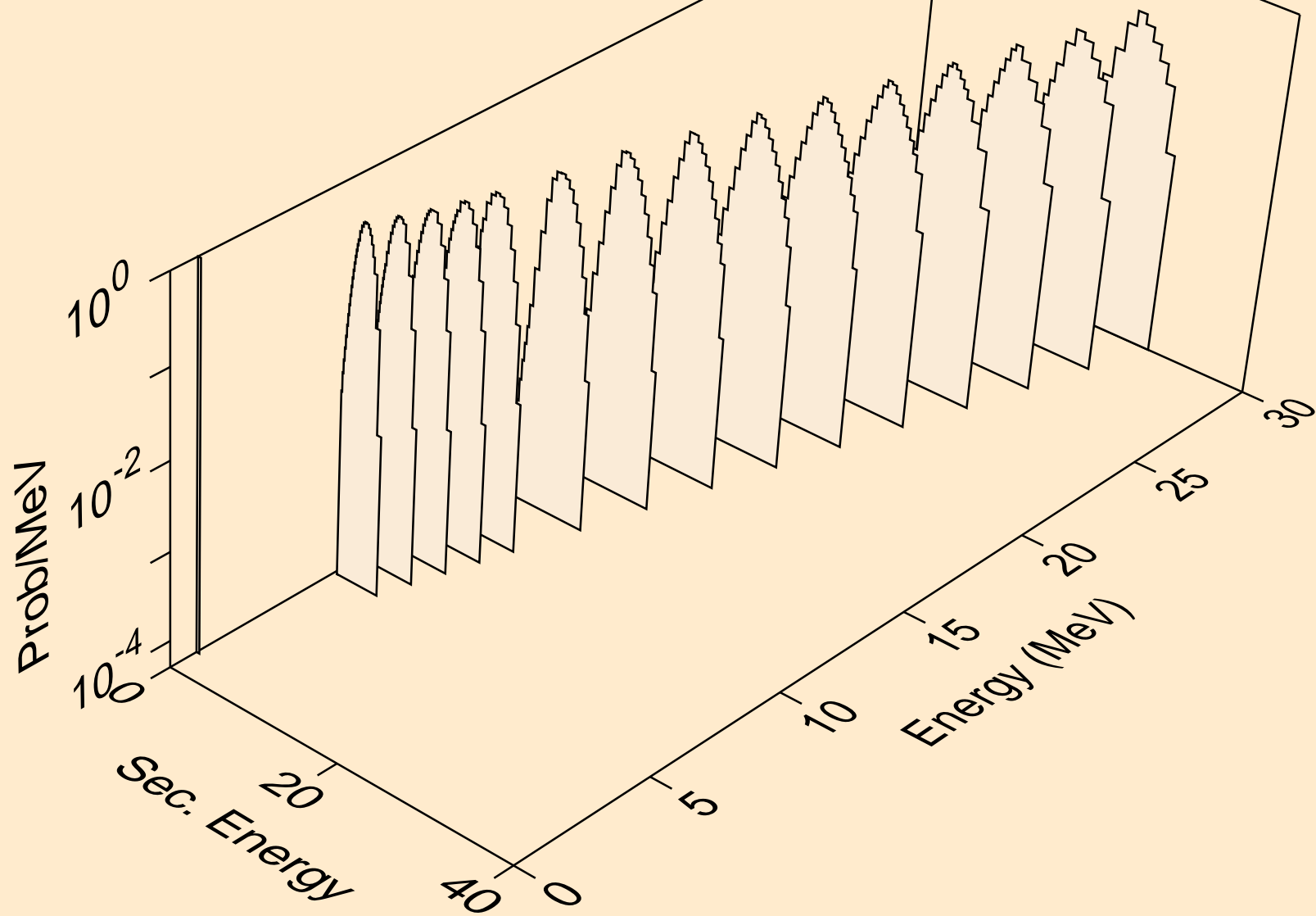
HO175 HELION ACER TENDL-2021 LIBRARY; T=0.K  
deuterons from (s,x)



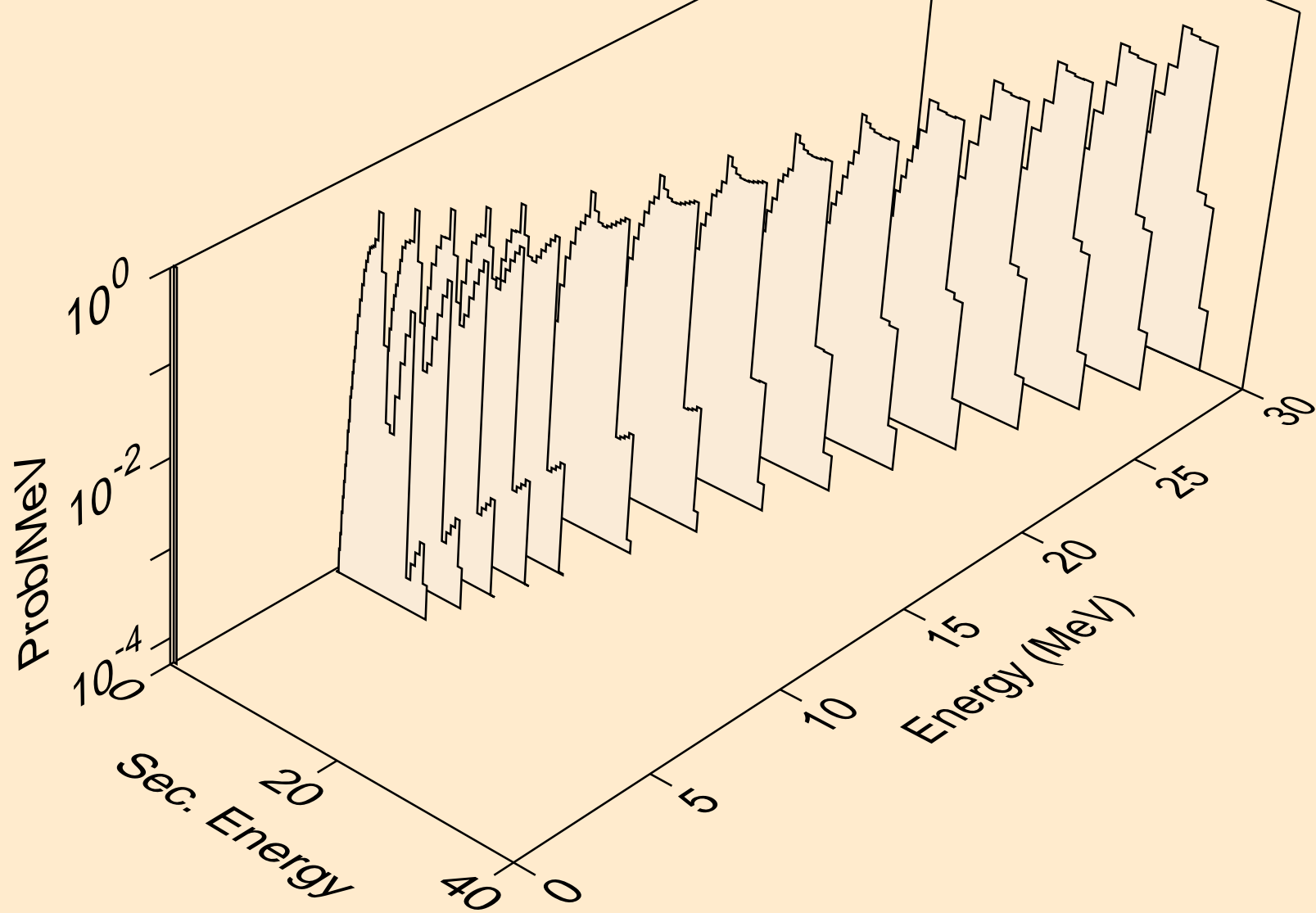
HO175 HELION ACER TENDL-2021 LIBRARY; T=0.K  
deuterons from (s,2nd)



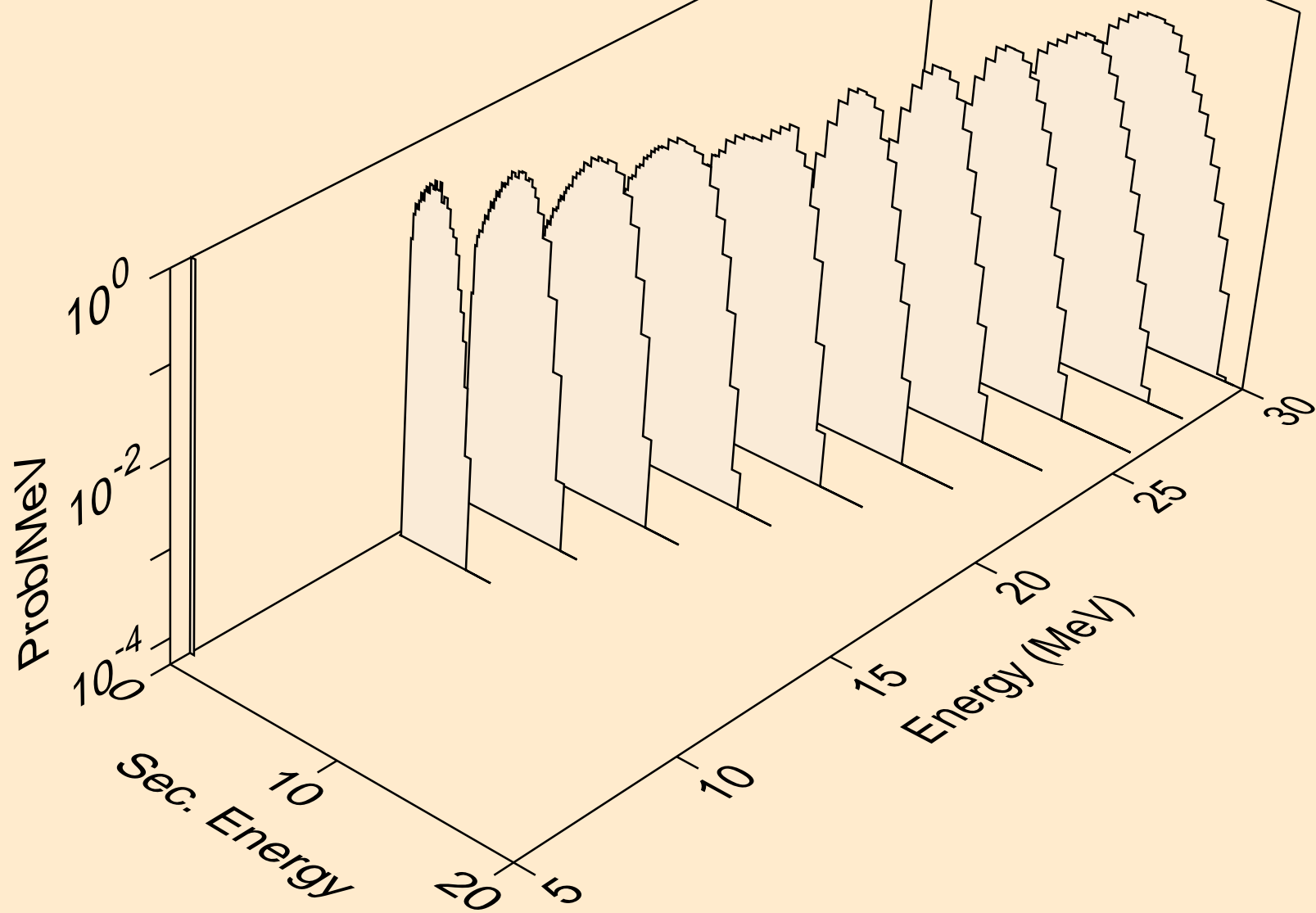
HO175 HELION ACER TENDL-2021 LIBRARY; T=0.K  
deuterons from (s,n\*)d



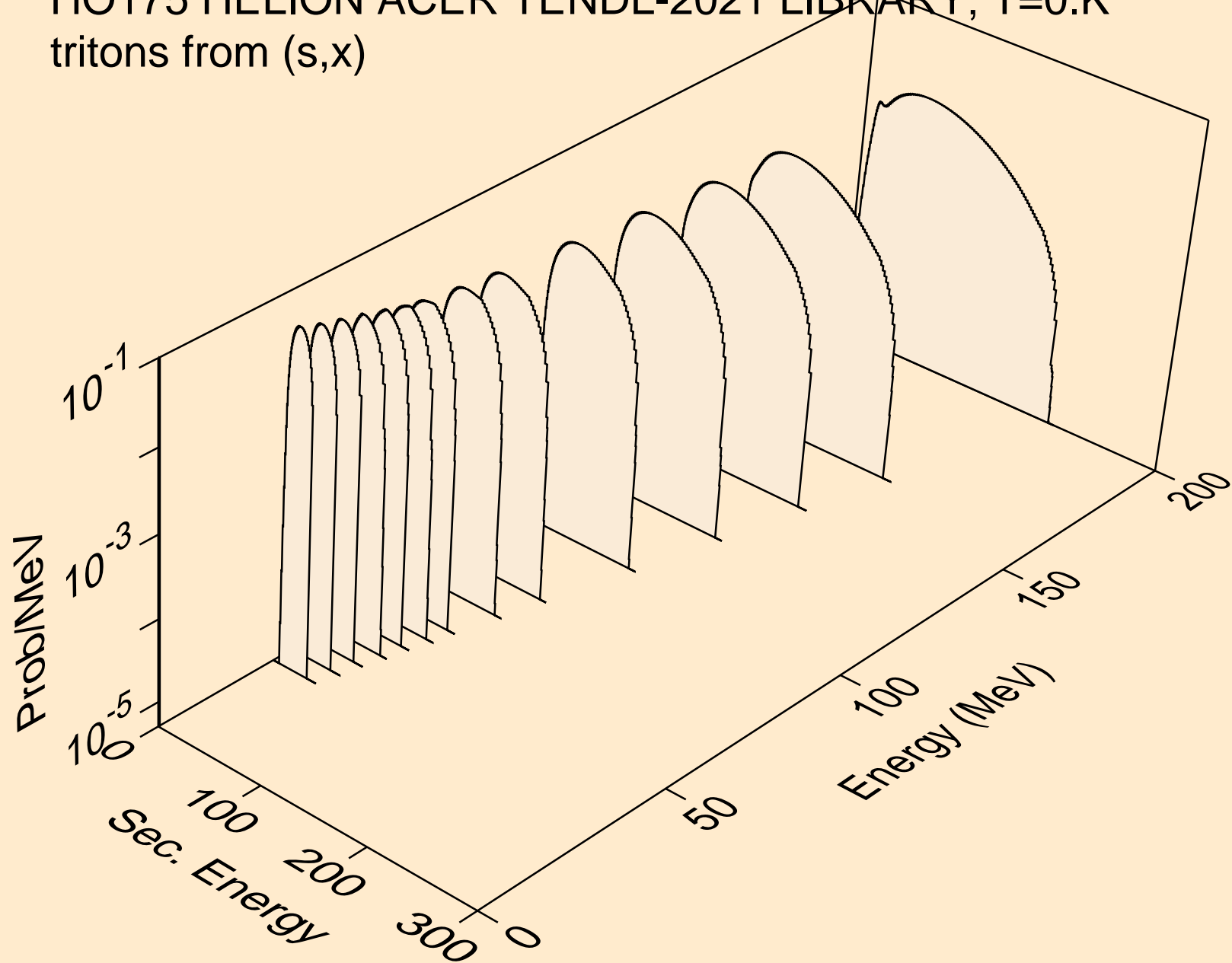
HO175 HELION ACER TENDL-2021 LIBRARY; T=0.K  
deuterons from (s,d)



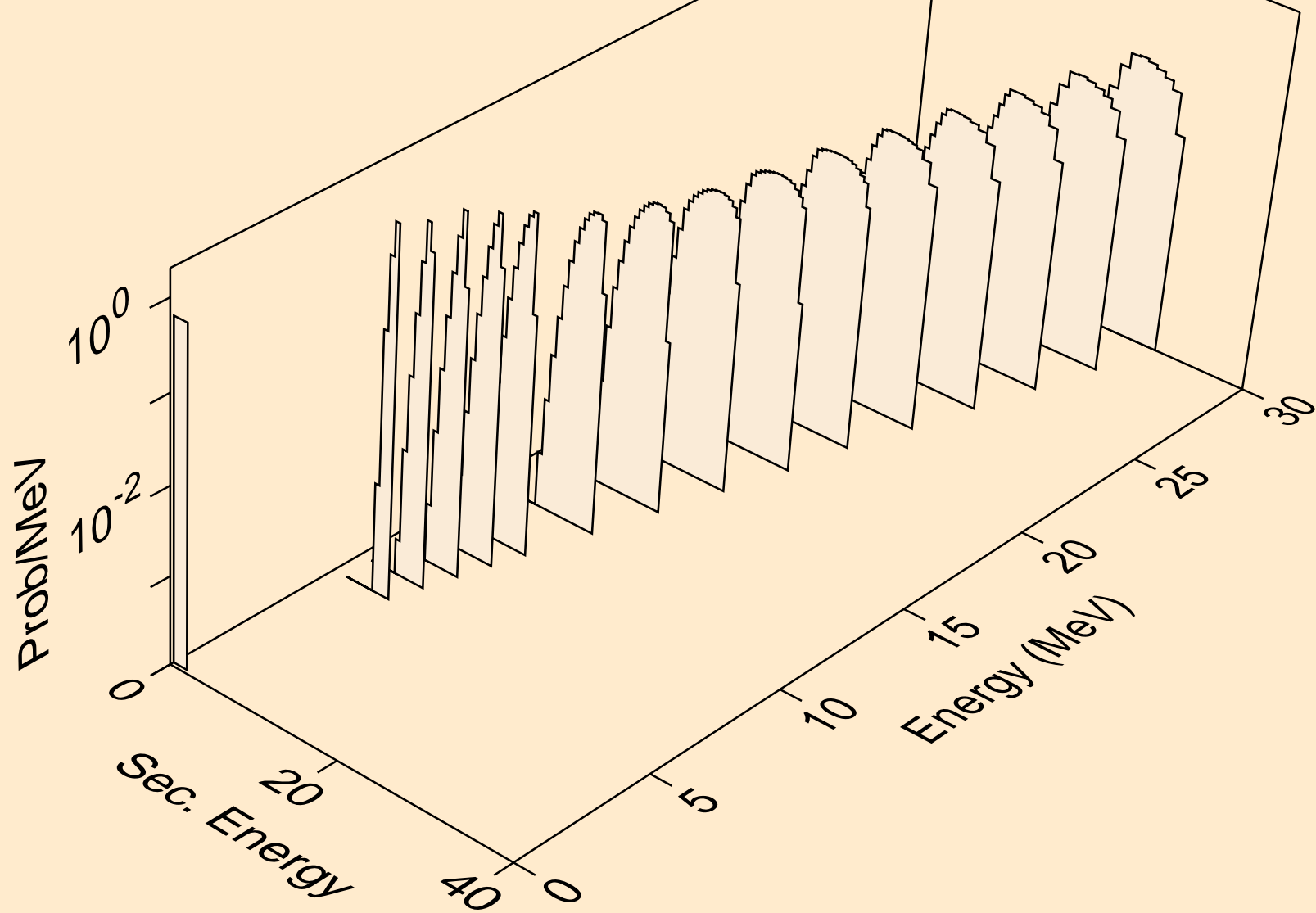
HO175 HELION ACER TENDL-2021 LIBRARY; T=0.K  
deuterons from (s,pd)



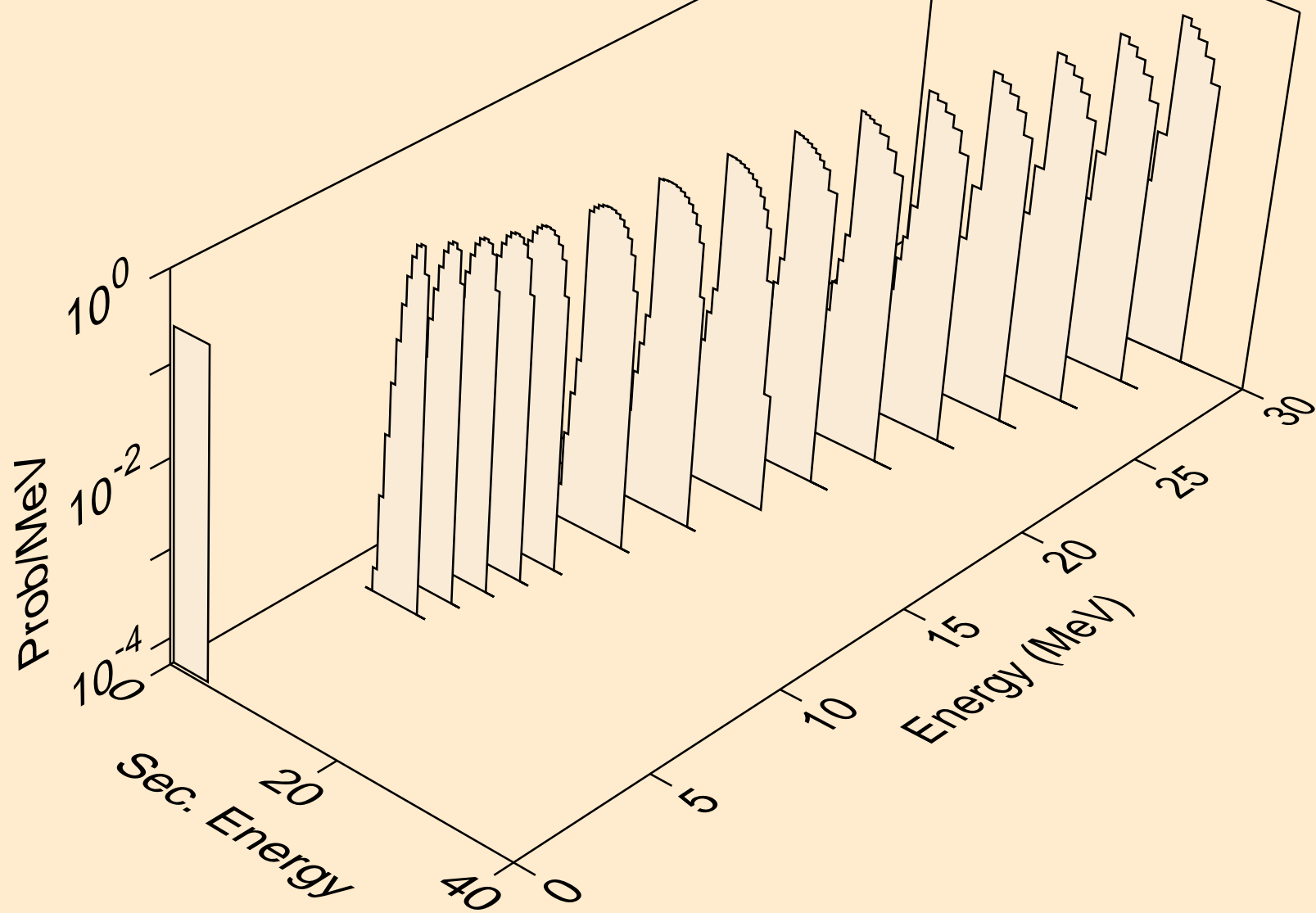
HO175 HELION ACER TENDL-2021 LIBRARY; T=0.K  
tritons from (s,x)



HO175 HELION ACER TENDL-2021 LIBRARY; T=0.K  
tritons from (s,n\*)t

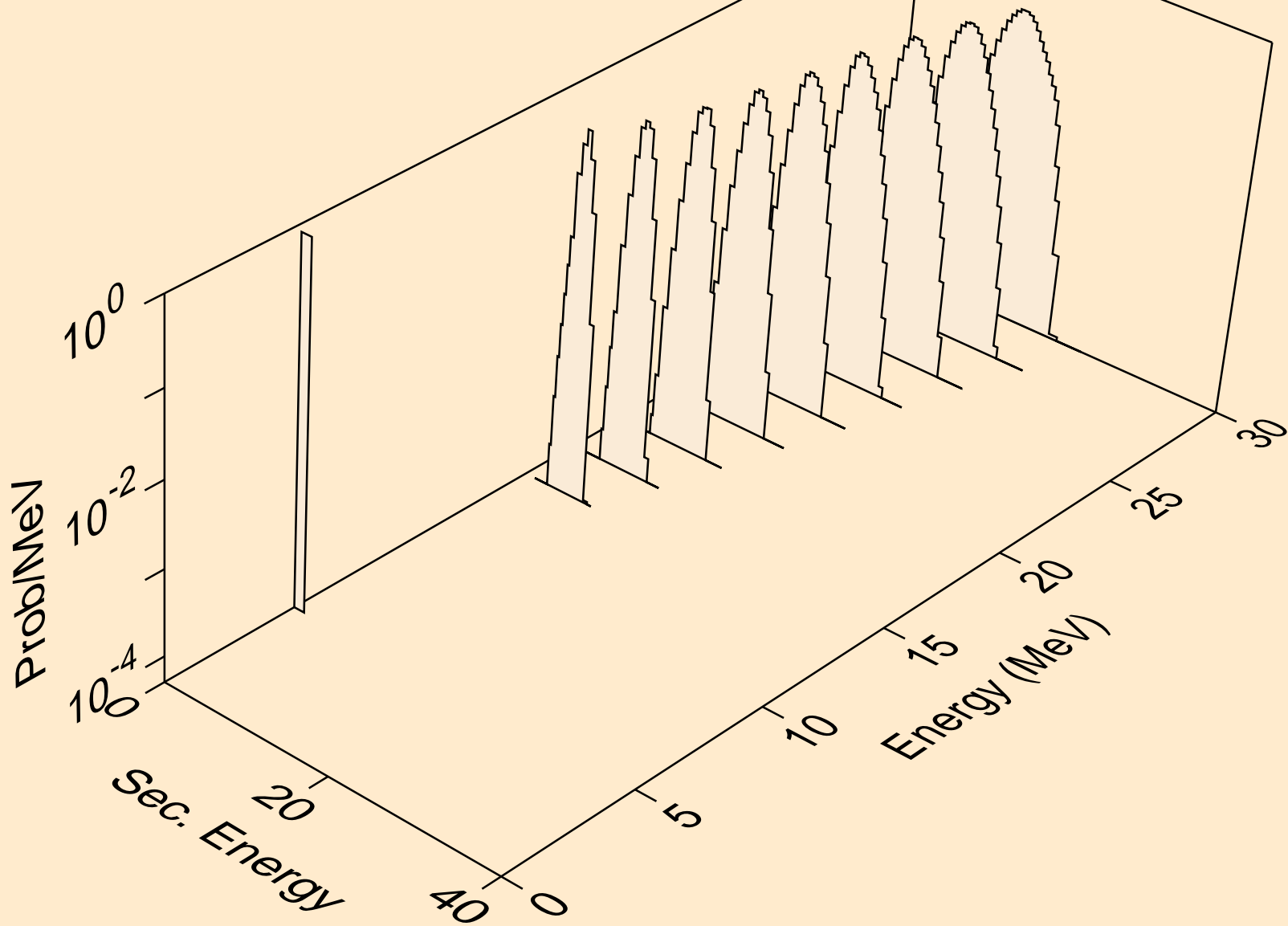


HO175 HELION ACER TENDL-2021 LIBRARY; T=0.K  
tritons from (s,t)

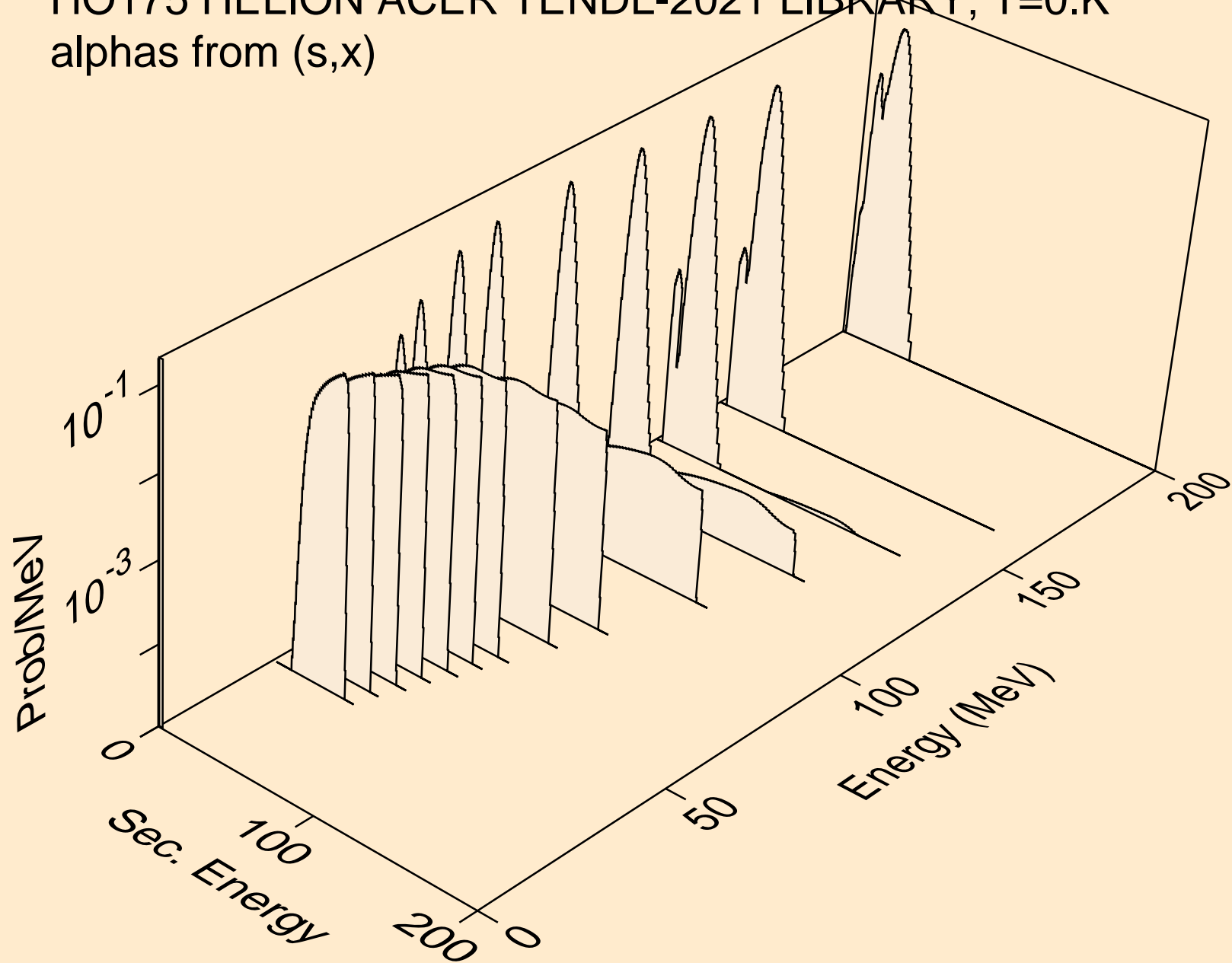




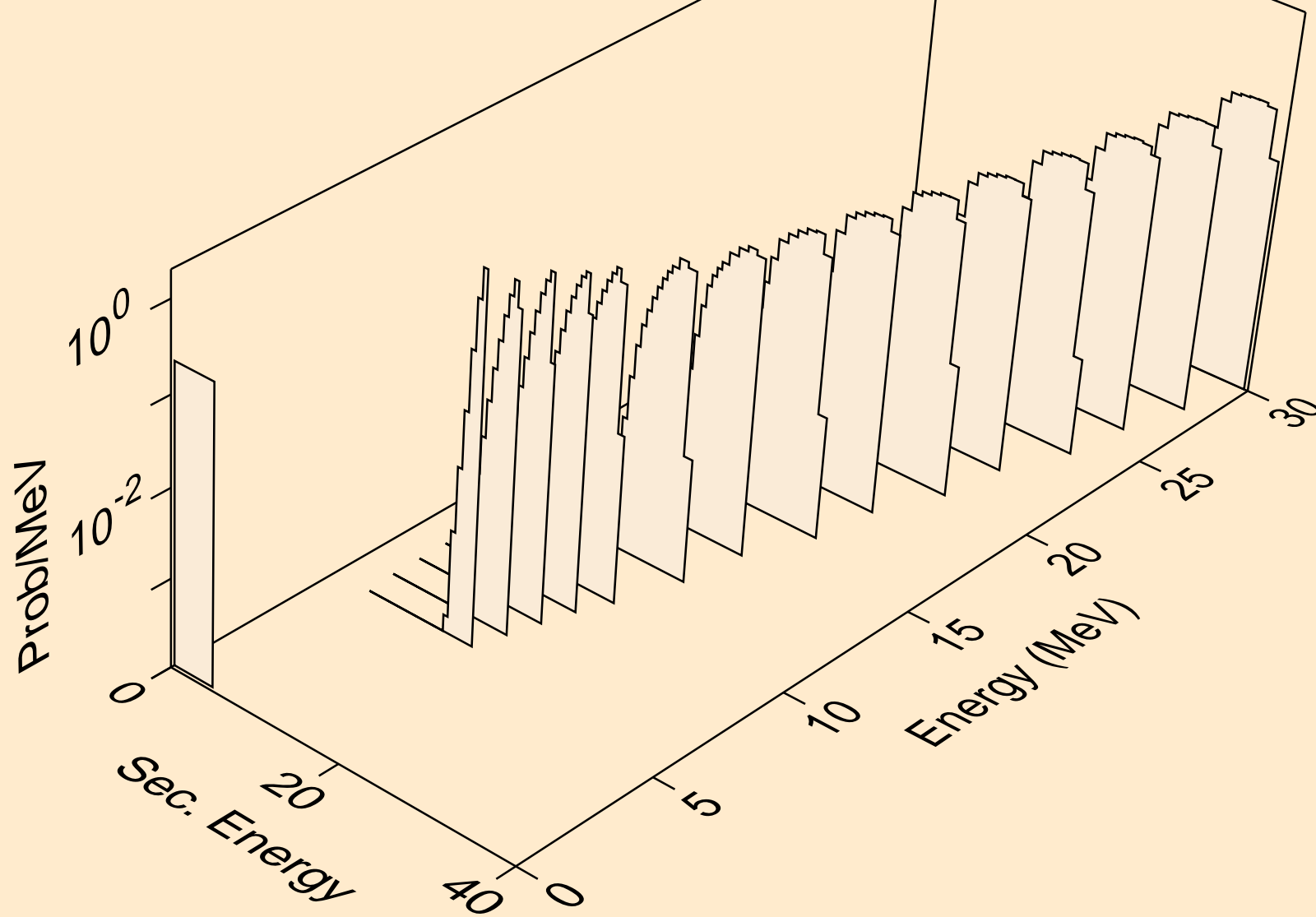
HO175 HELION ACER TENDL-2021 LIBRARY; T=0.K  
tritons from (s,pt)



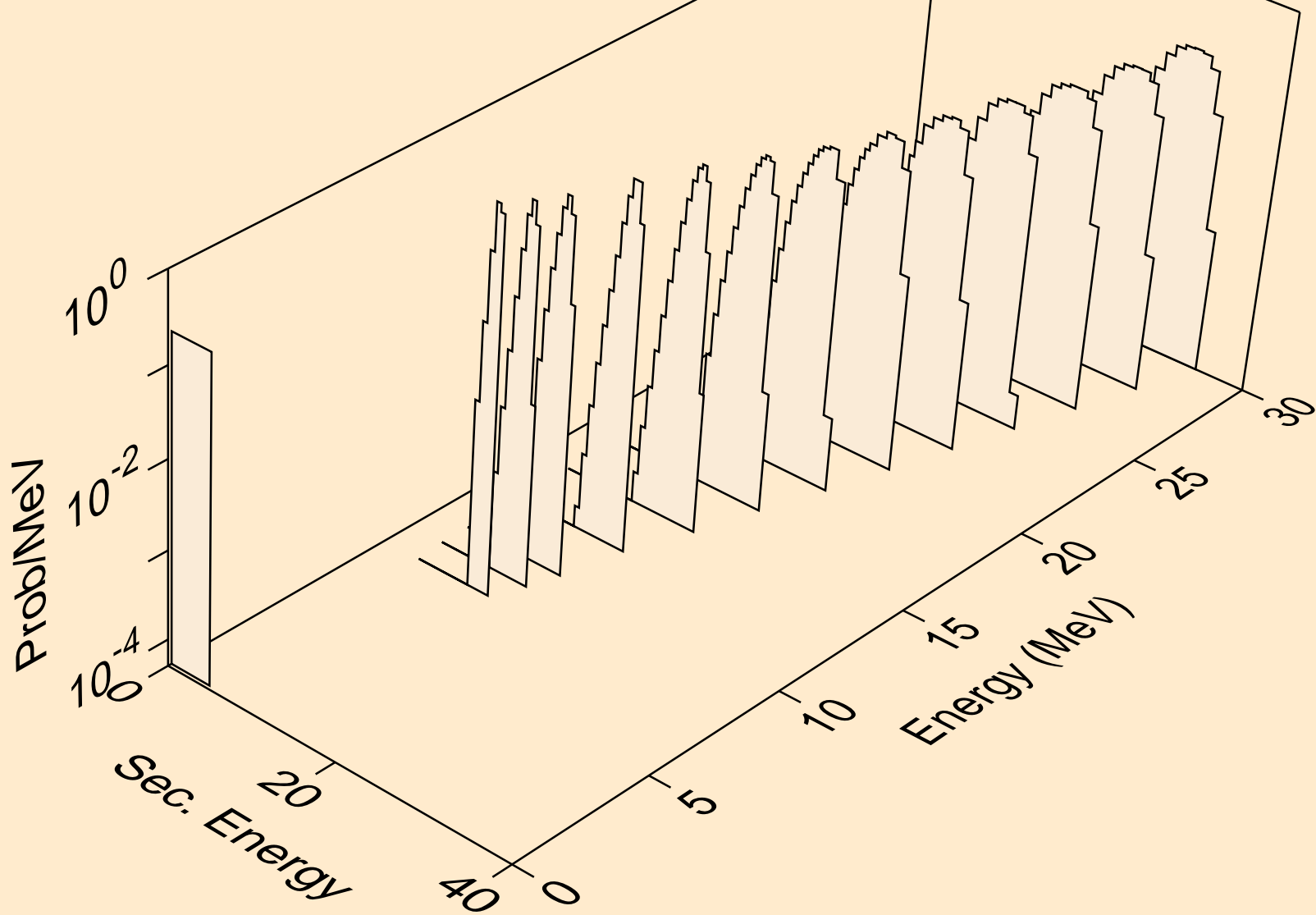
HO175 HELION ACER TENDL-2021 LIBRARY; T=0.K  
alphas from (s,x)



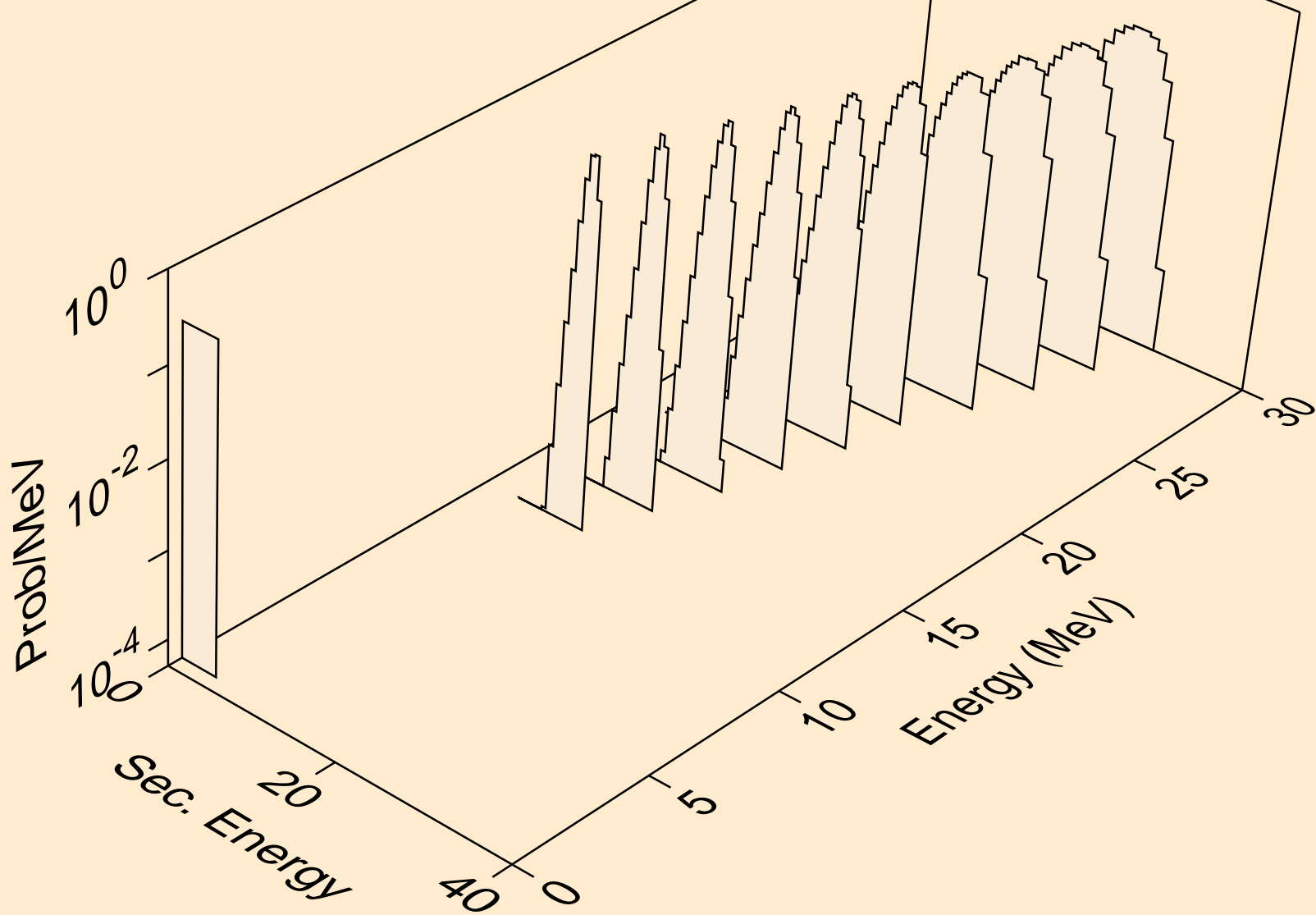
HO175 HELION ACER TENDL-2021 LIBRARY; T=0.K  
alphas from (s,n\*)a



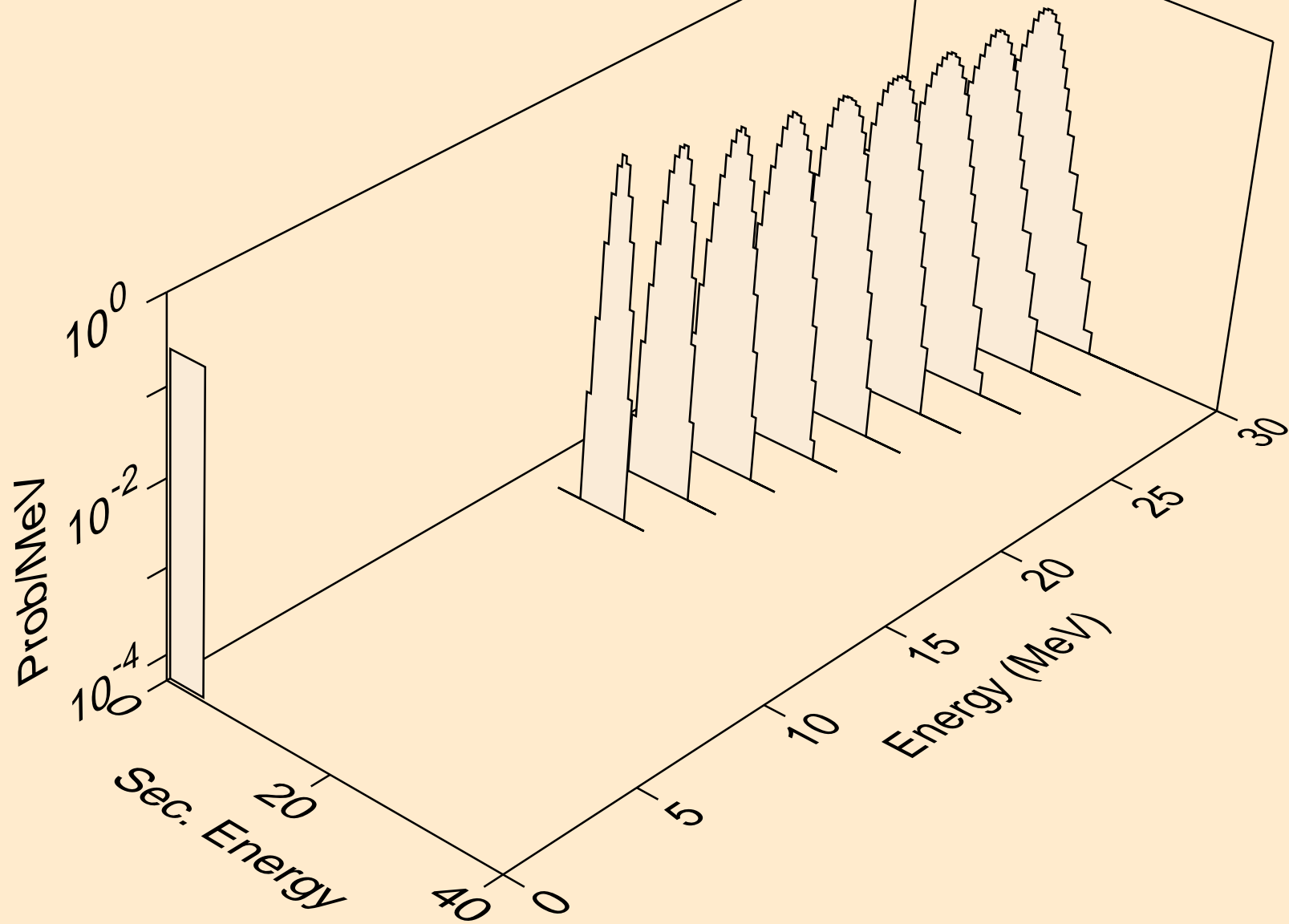
HO175 HELION ACER TENDL-2021 LIBRARY; T=0.K  
alphas from (s,2n)a



HO175 HELION ACER TENDL-2021 LIBRARY; T=0.K  
alphas from (s,3n)a



HO175 HELION ACER TENDL-2021 LIBRARY; T=0.K  
alphas from (s,npa)



HO175 HELION ACER TENDL-2021 LIBRARY; T=0.K  
alphas from (s,a)

