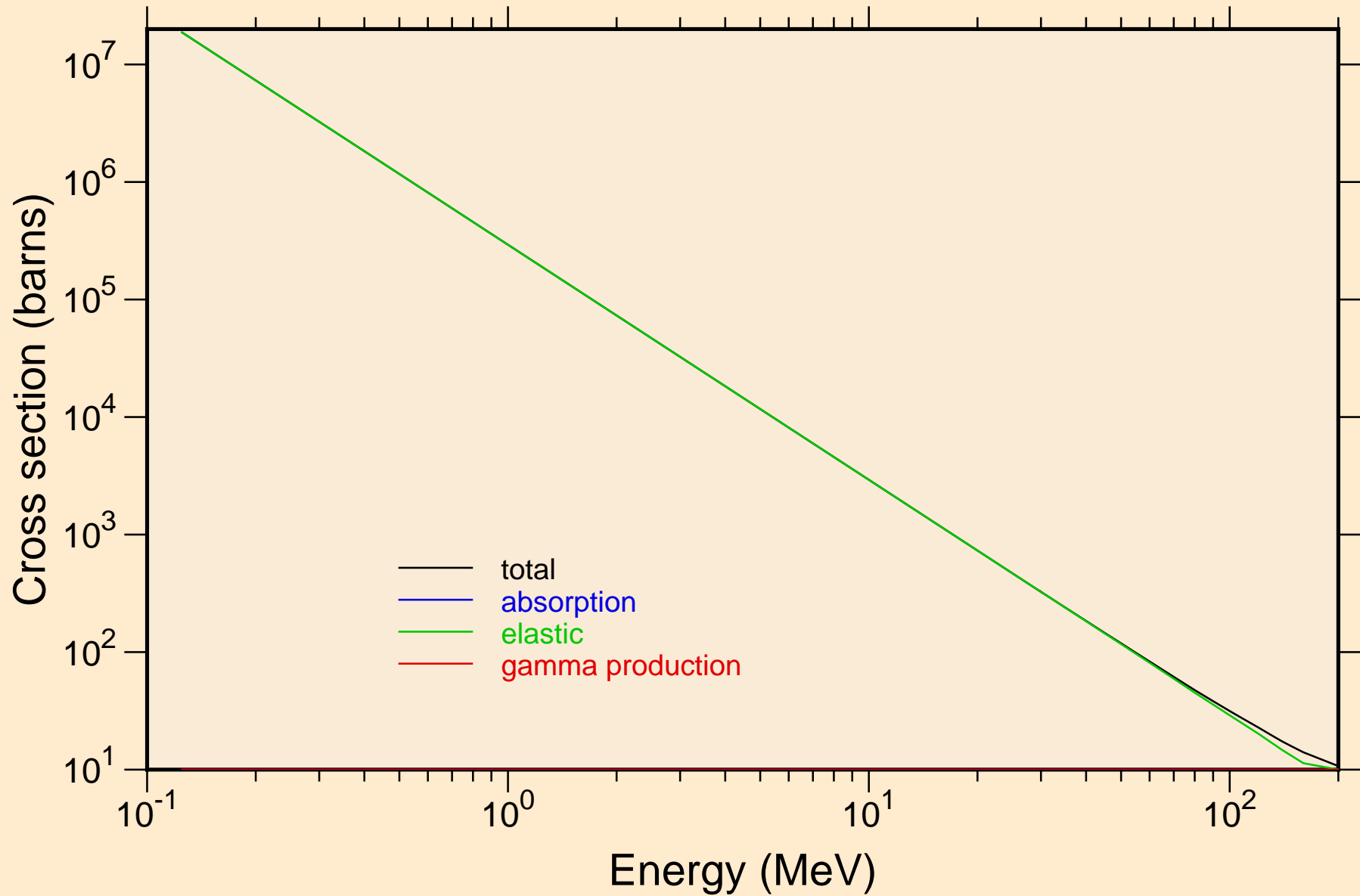
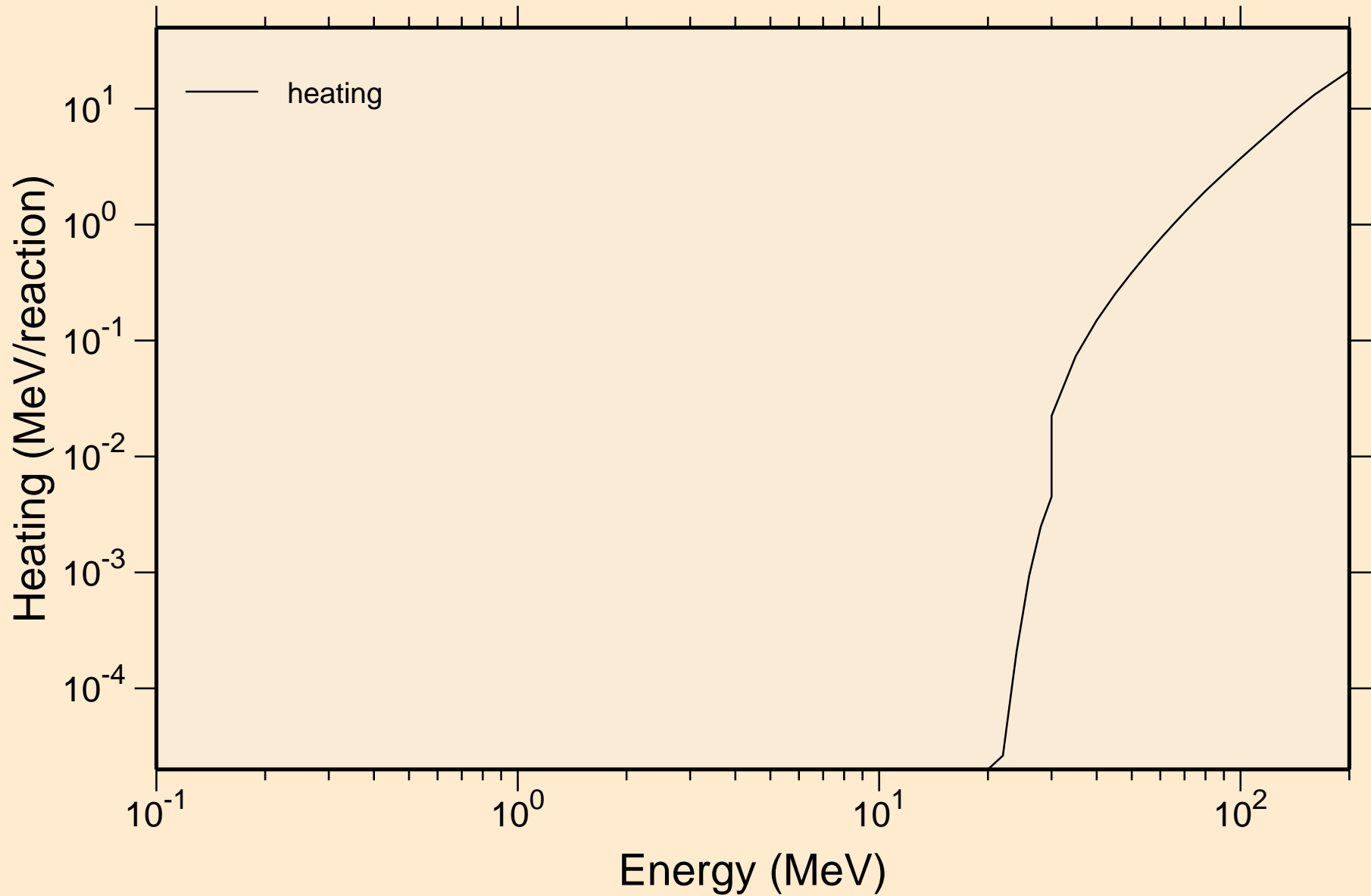


HS270 HELION ACER TENDL-2021 LIBRARY; T=0.K
Principal cross sections

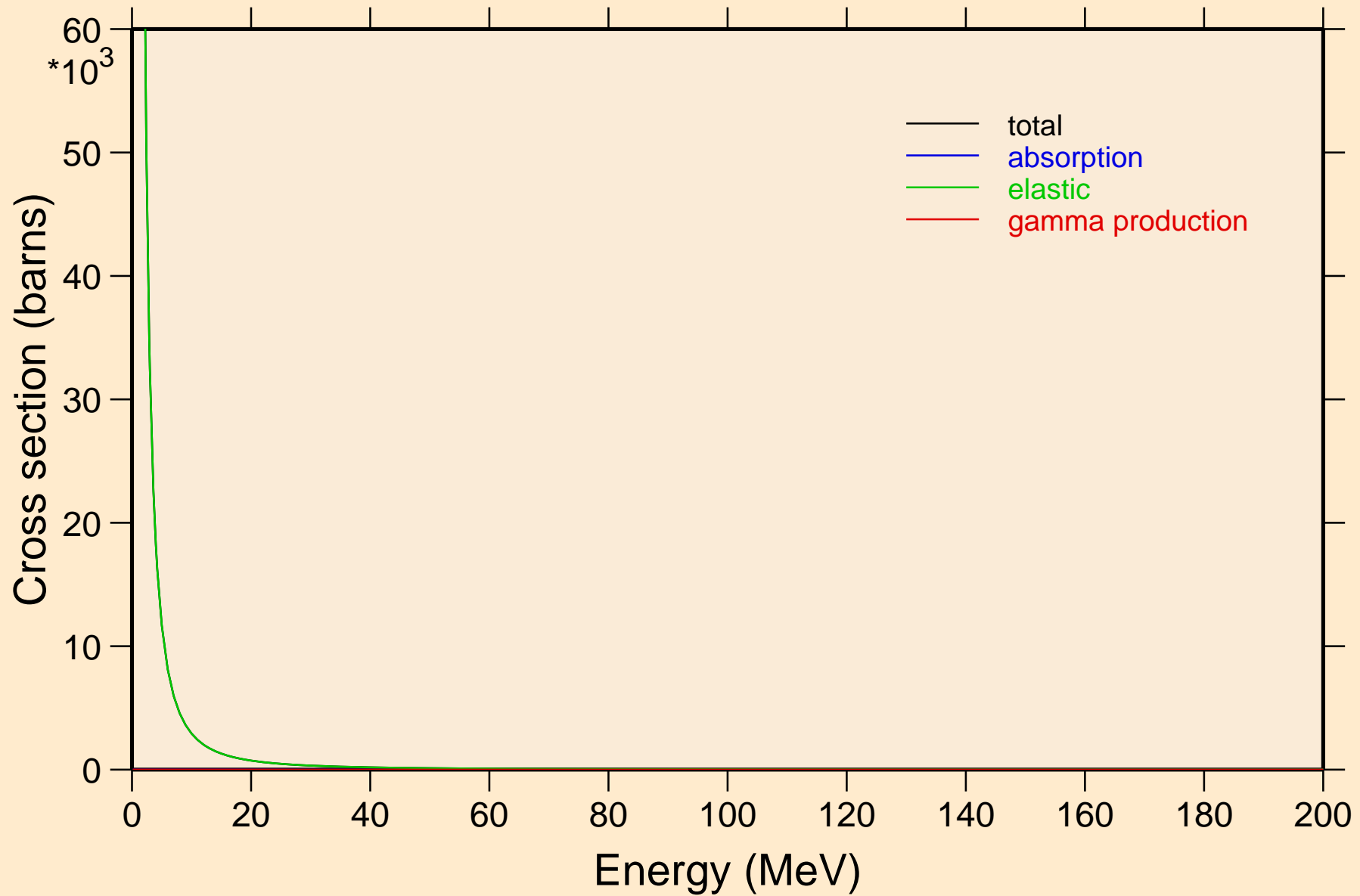


HS270 HELION ACER TENDL-2021 LIBRARY; T=0.K
Heating



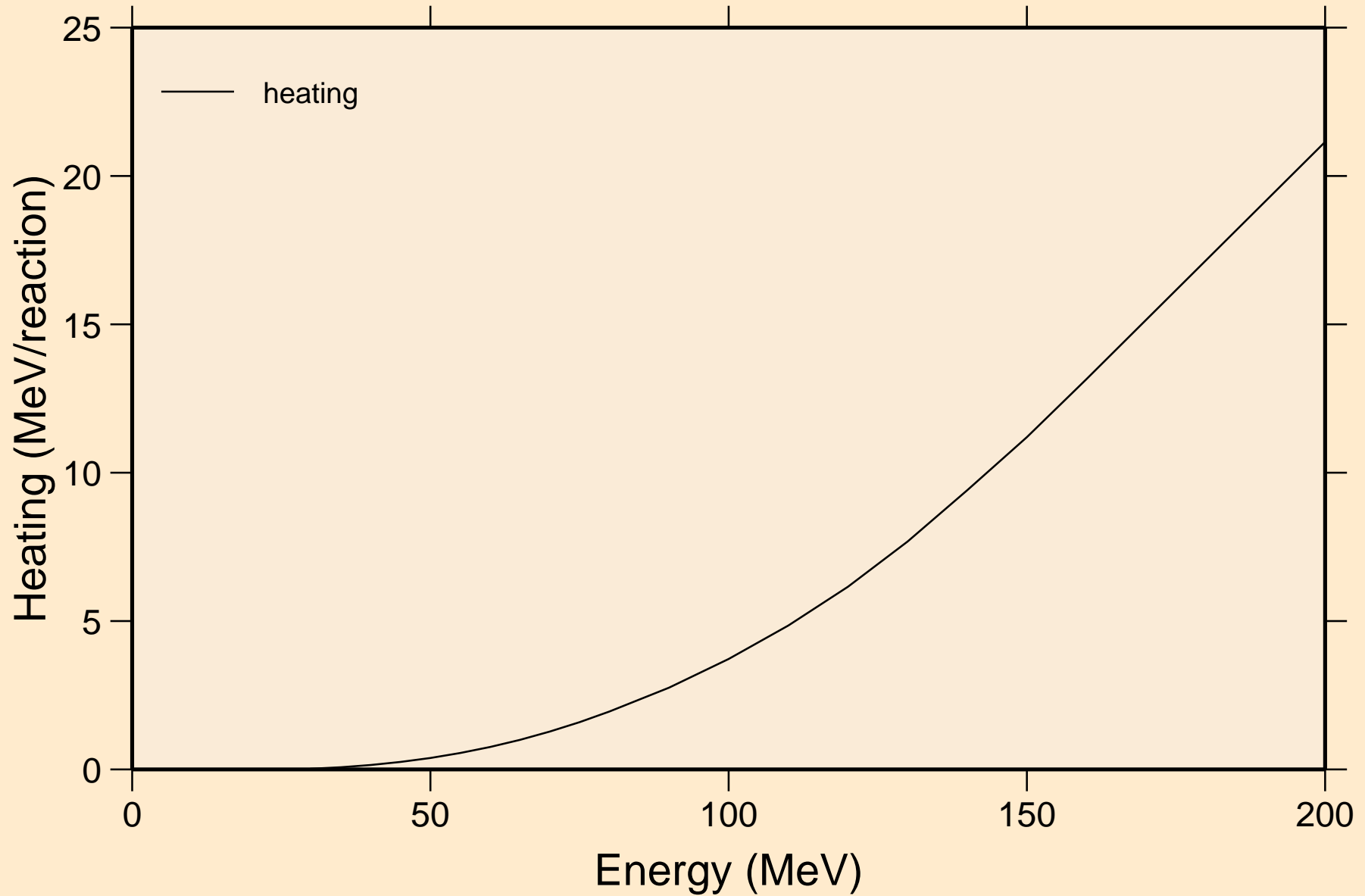
HS270 HELION ACER TENDL-2021 LIBRARY; T=0.K

Principal cross sections

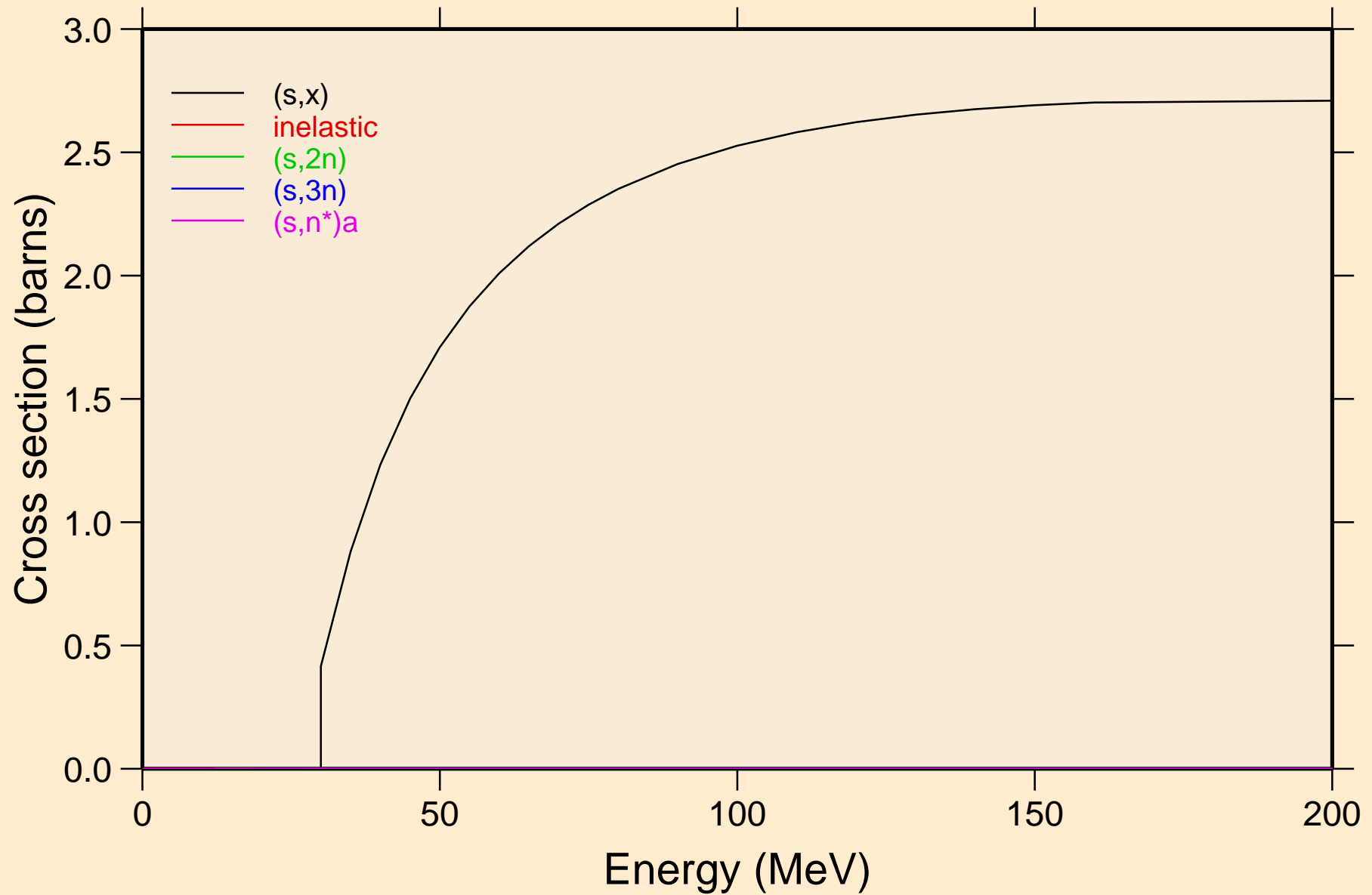


HS270 HELION ACER TENDL-2021 LIBRARY; T=0.K

Heating

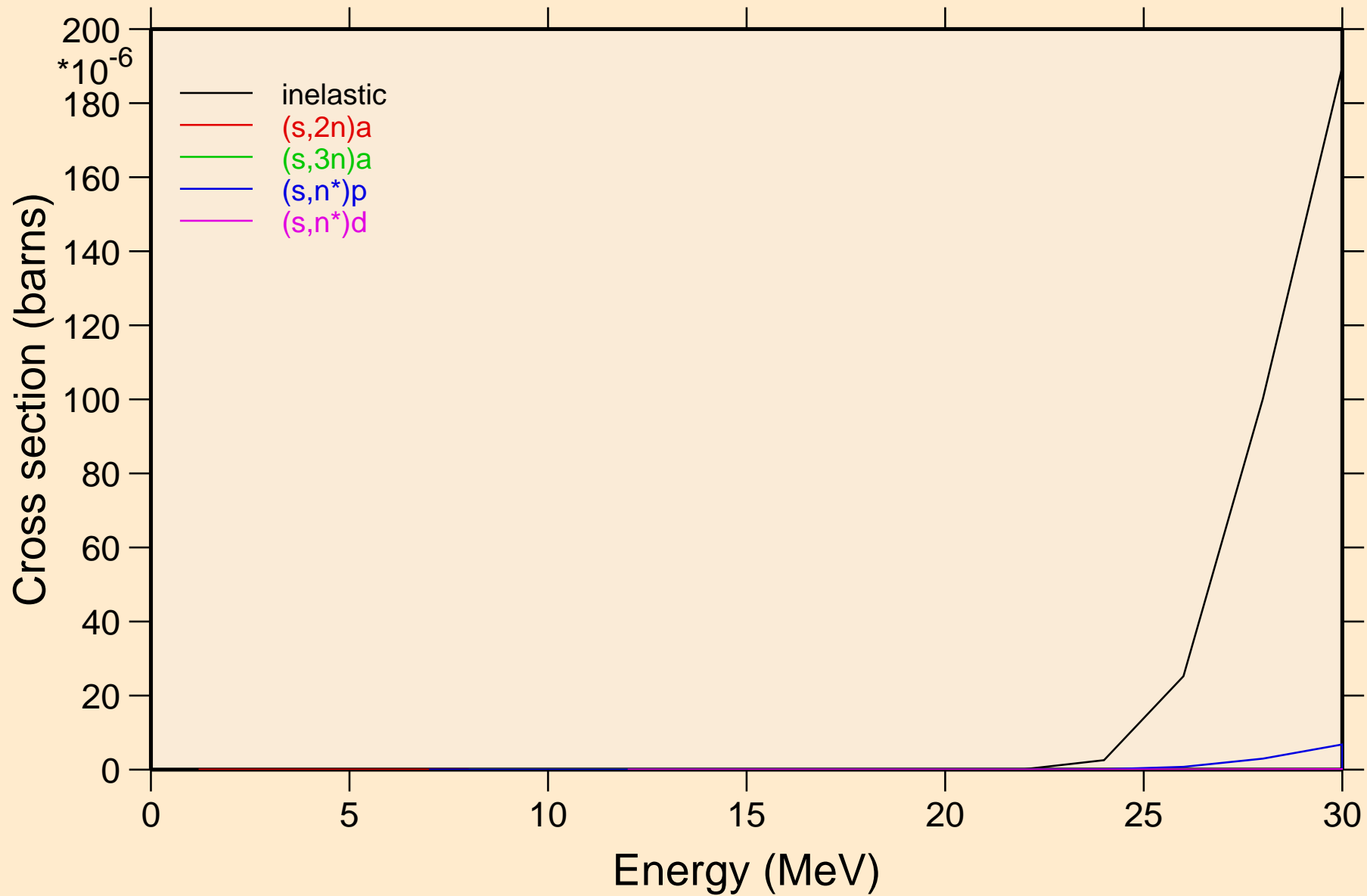


HS270 HELION ACER TENDL-2021 LIBRARY; T=0.K
Threshold reactions



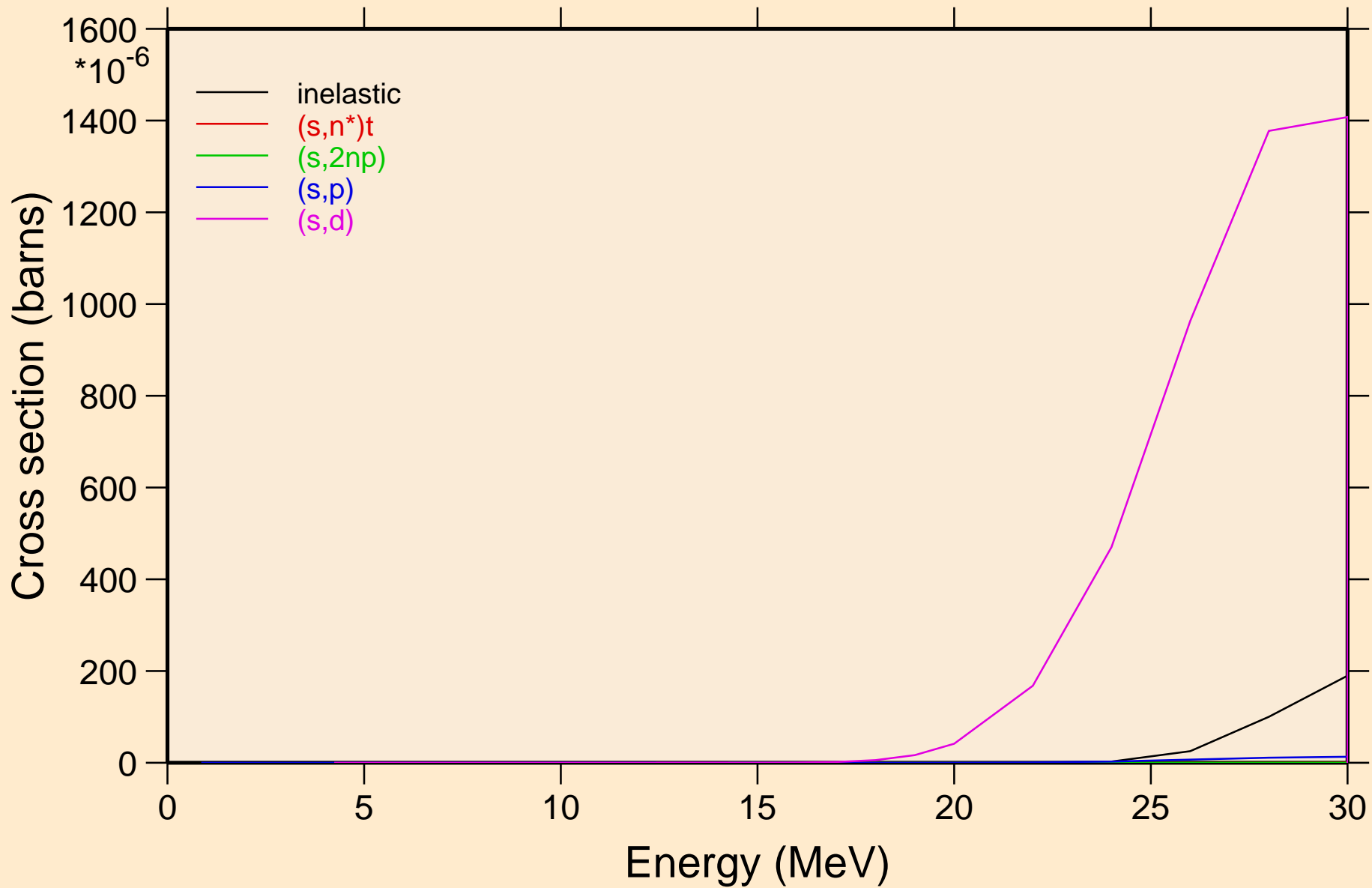
HS270 HELION ACER TENDL-2021 LIBRARY; T=0.K

Threshold reactions



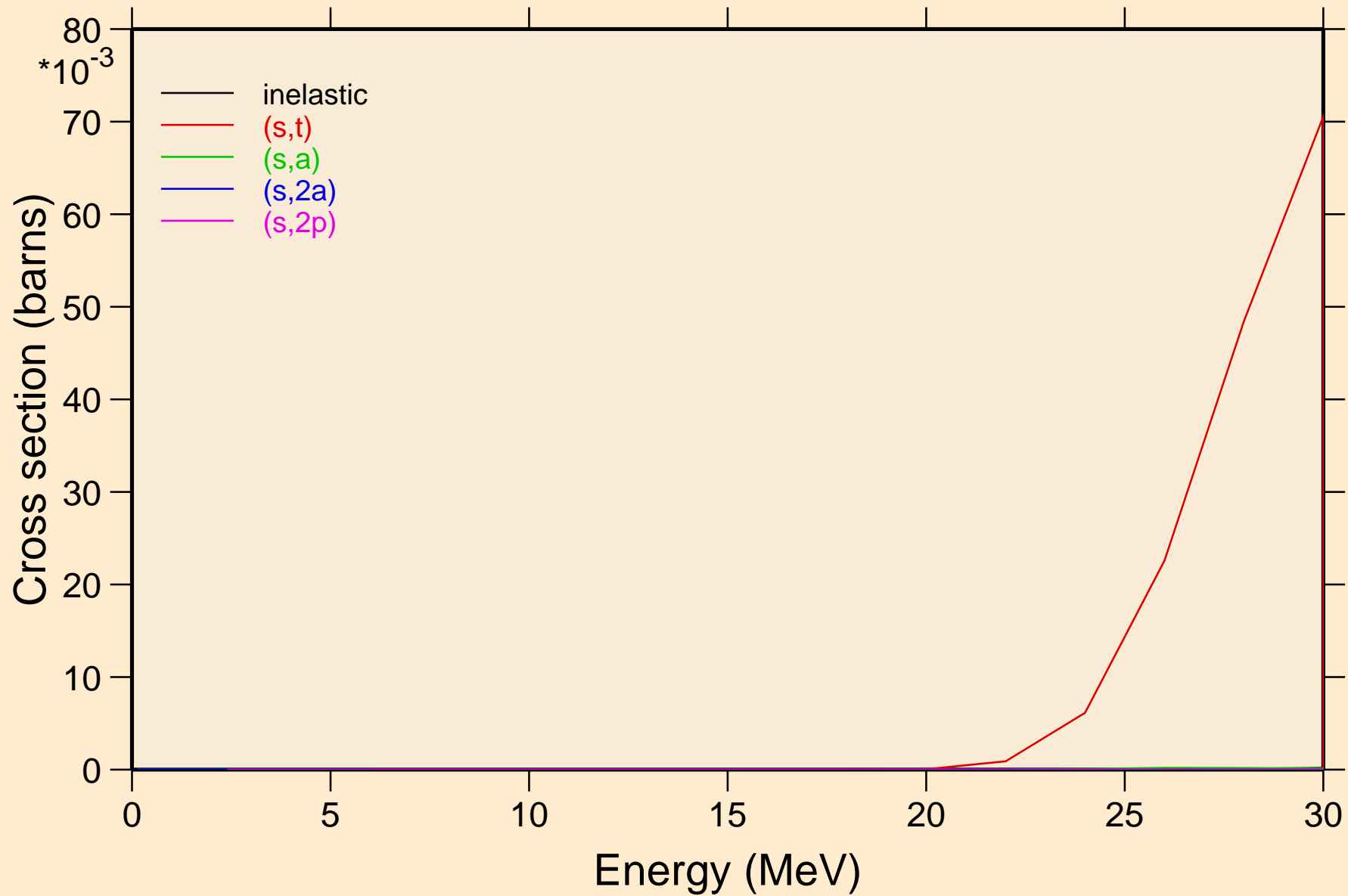
HS270 HELION ACER TENDL-2021 LIBRARY; T=0.K

Threshold reactions

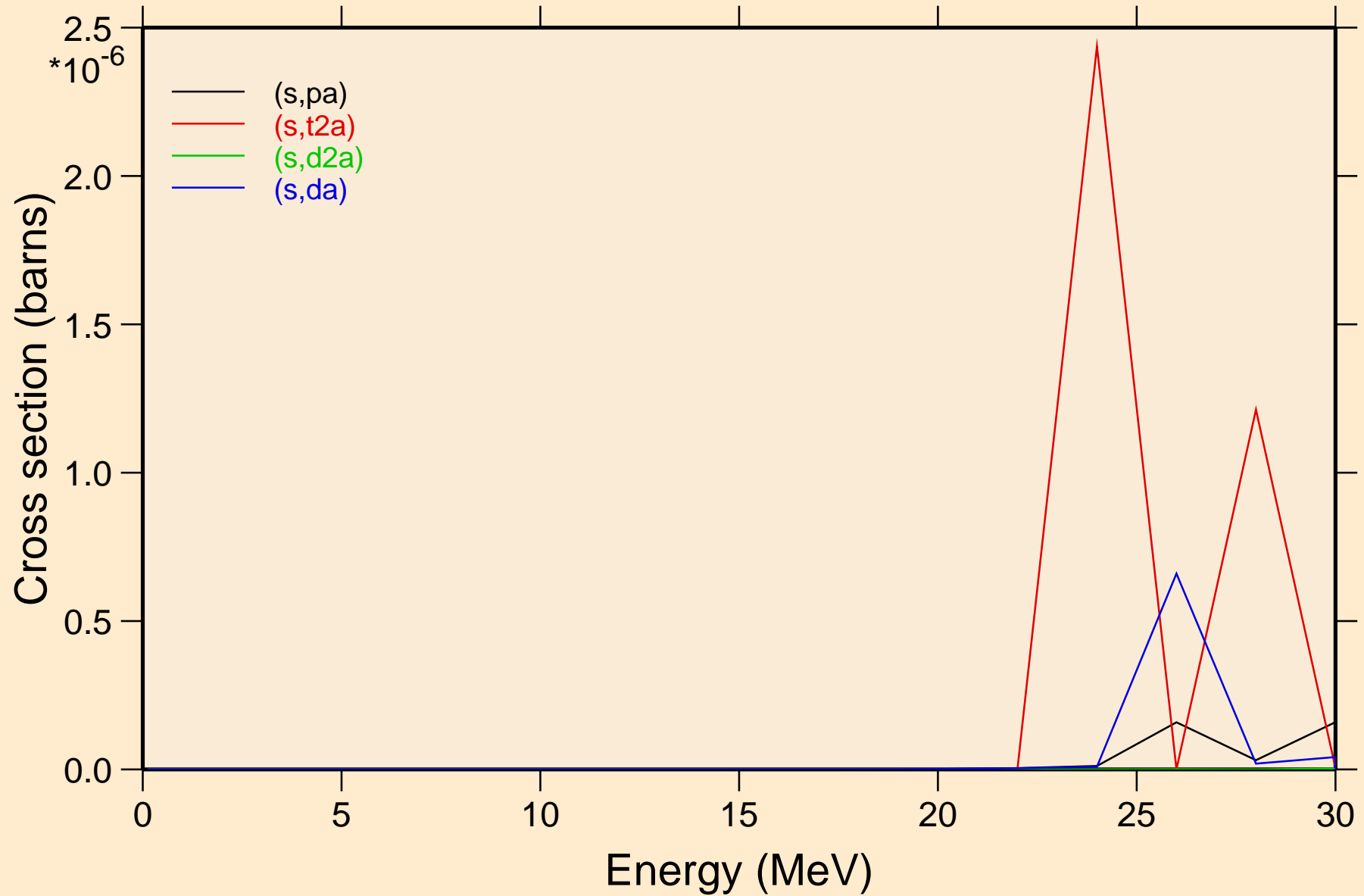


HS270 HELION ACER TENDL-2021 LIBRARY; T=0.K

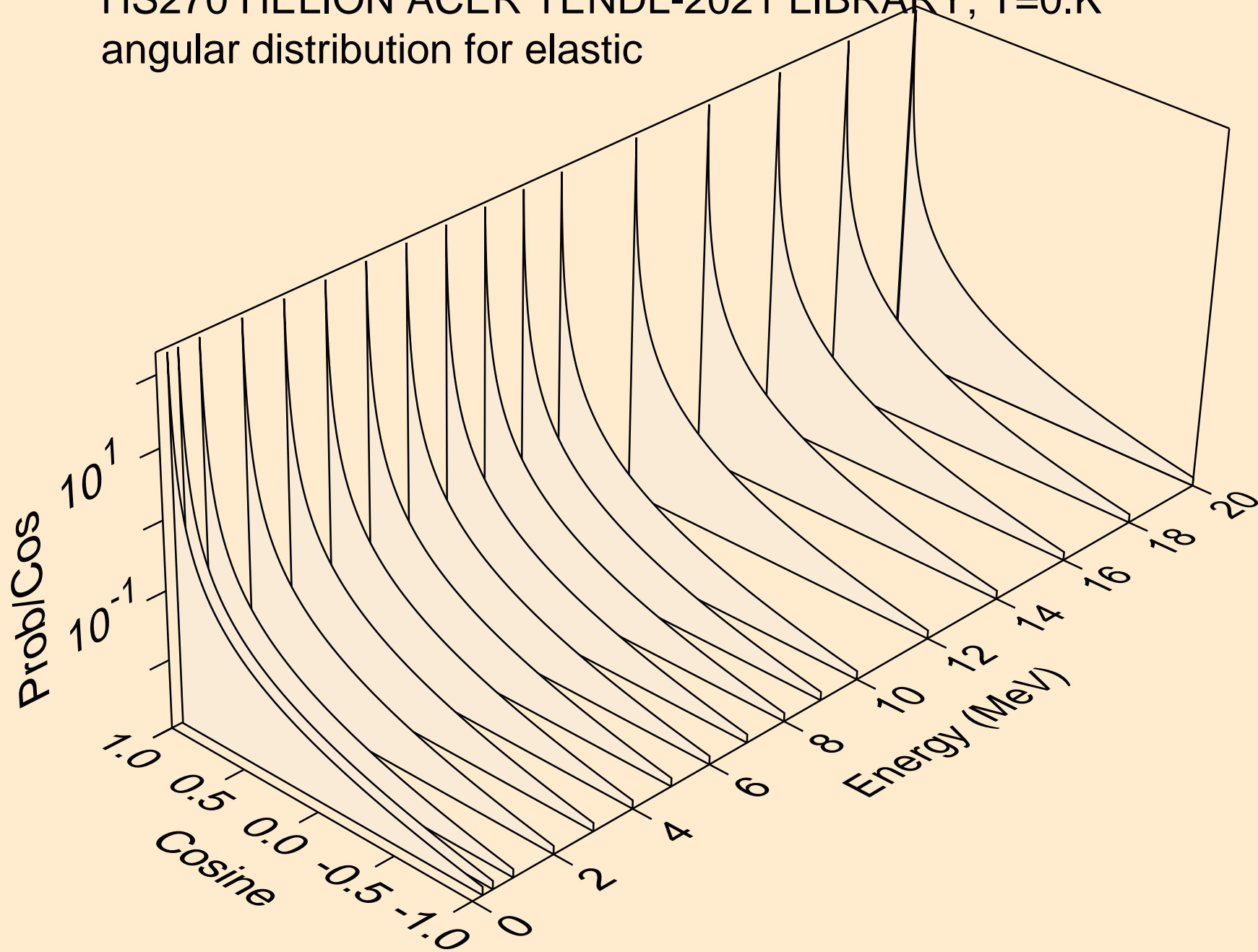
Threshold reactions



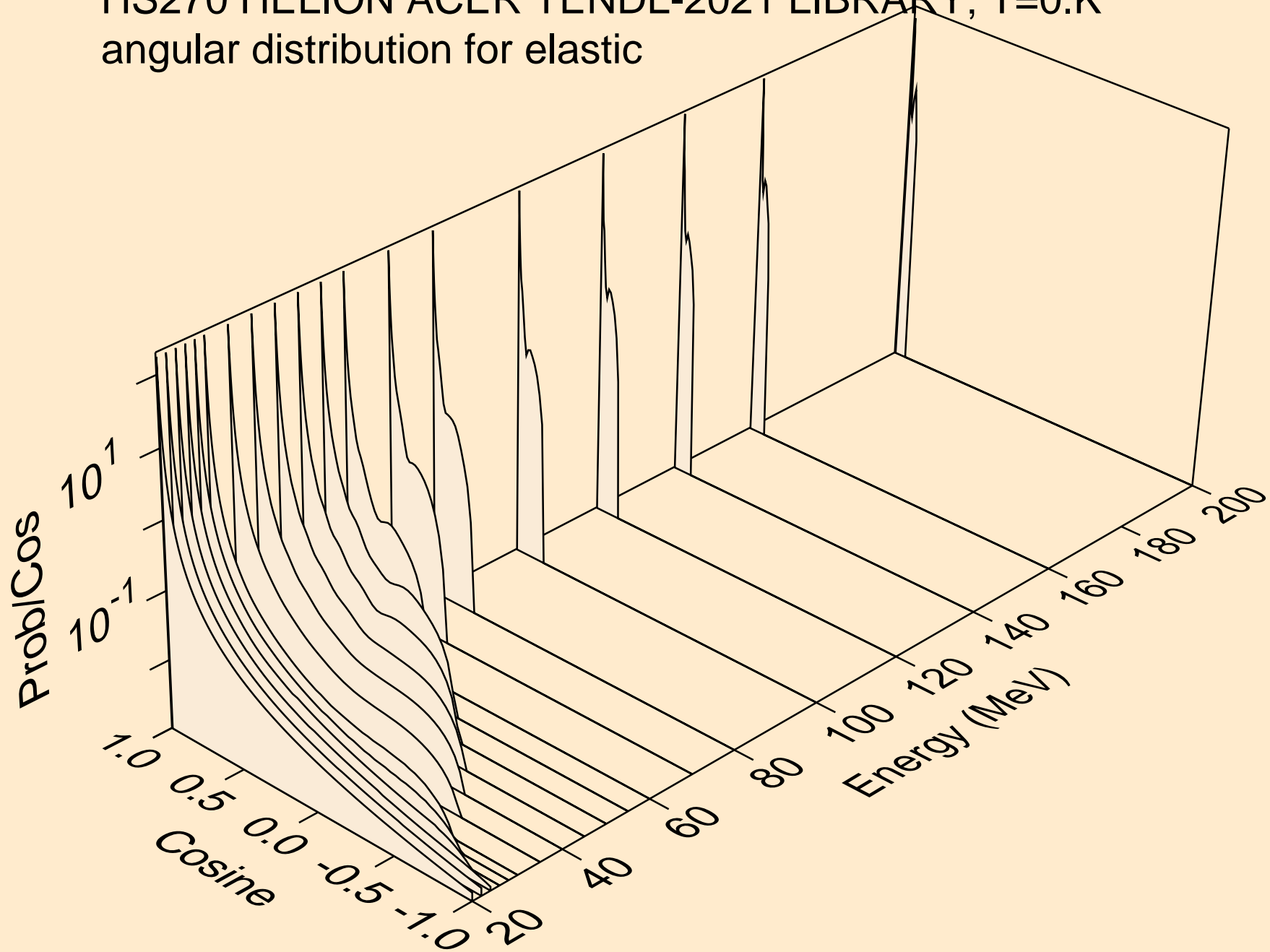
HS270 HELION ACER TENDL-2021 LIBRARY; T=0.K
Threshold reactions



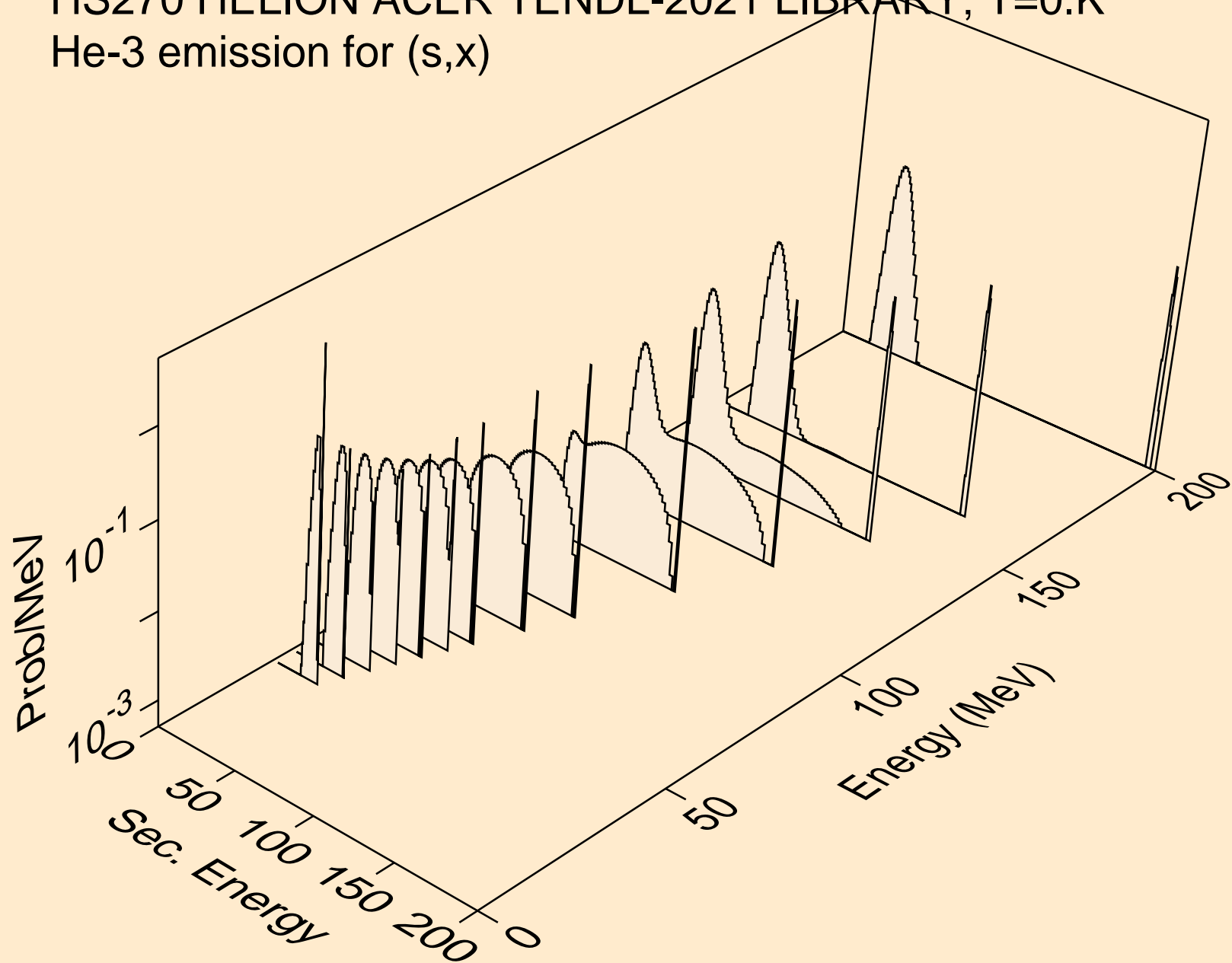
HS270 HELION ACER TENDL-2021 LIBRARY; T=0.K
angular distribution for elastic



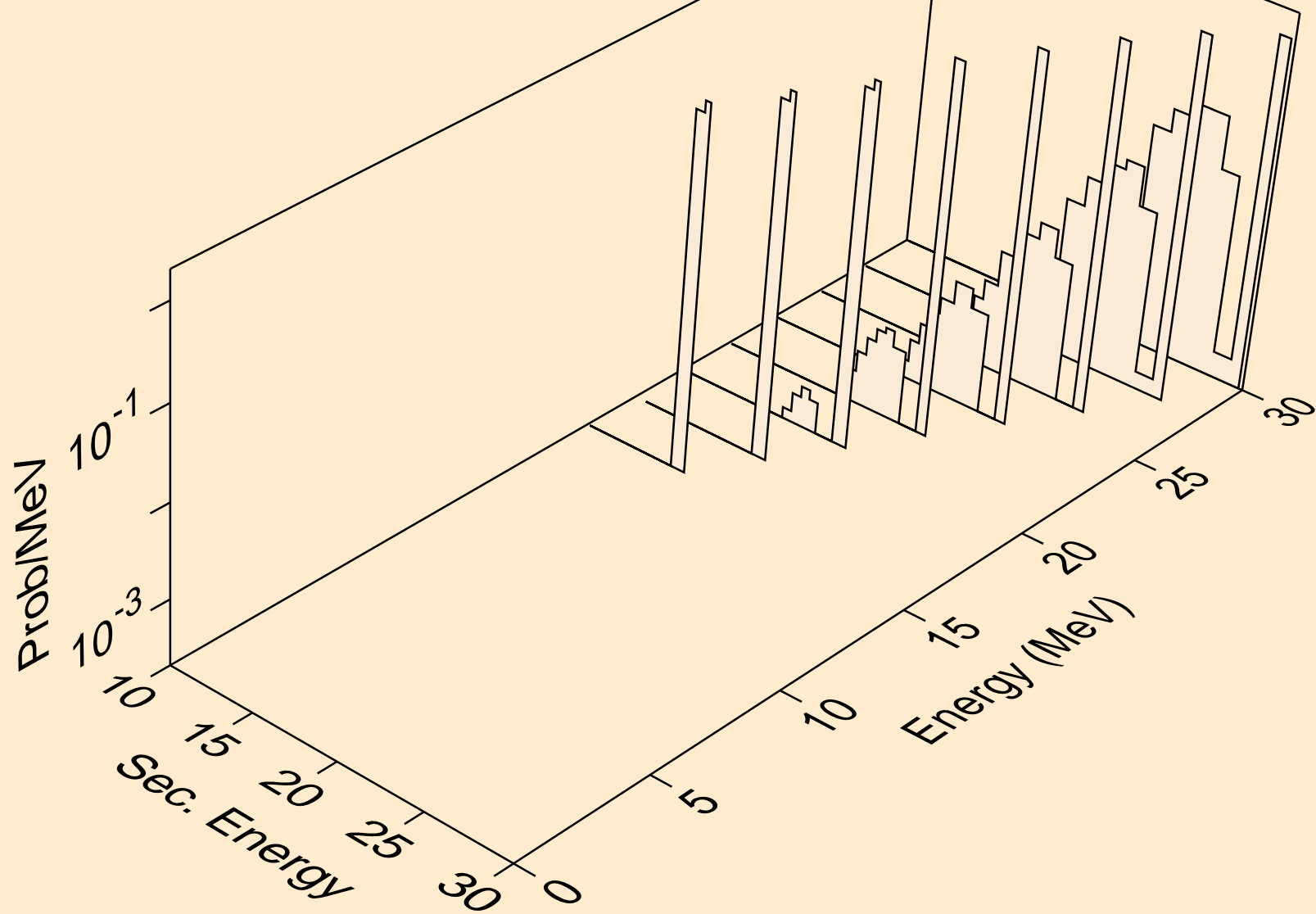
HS270 HELION ACER TENDL-2021 LIBRARY; T=0.K
angular distribution for elastic



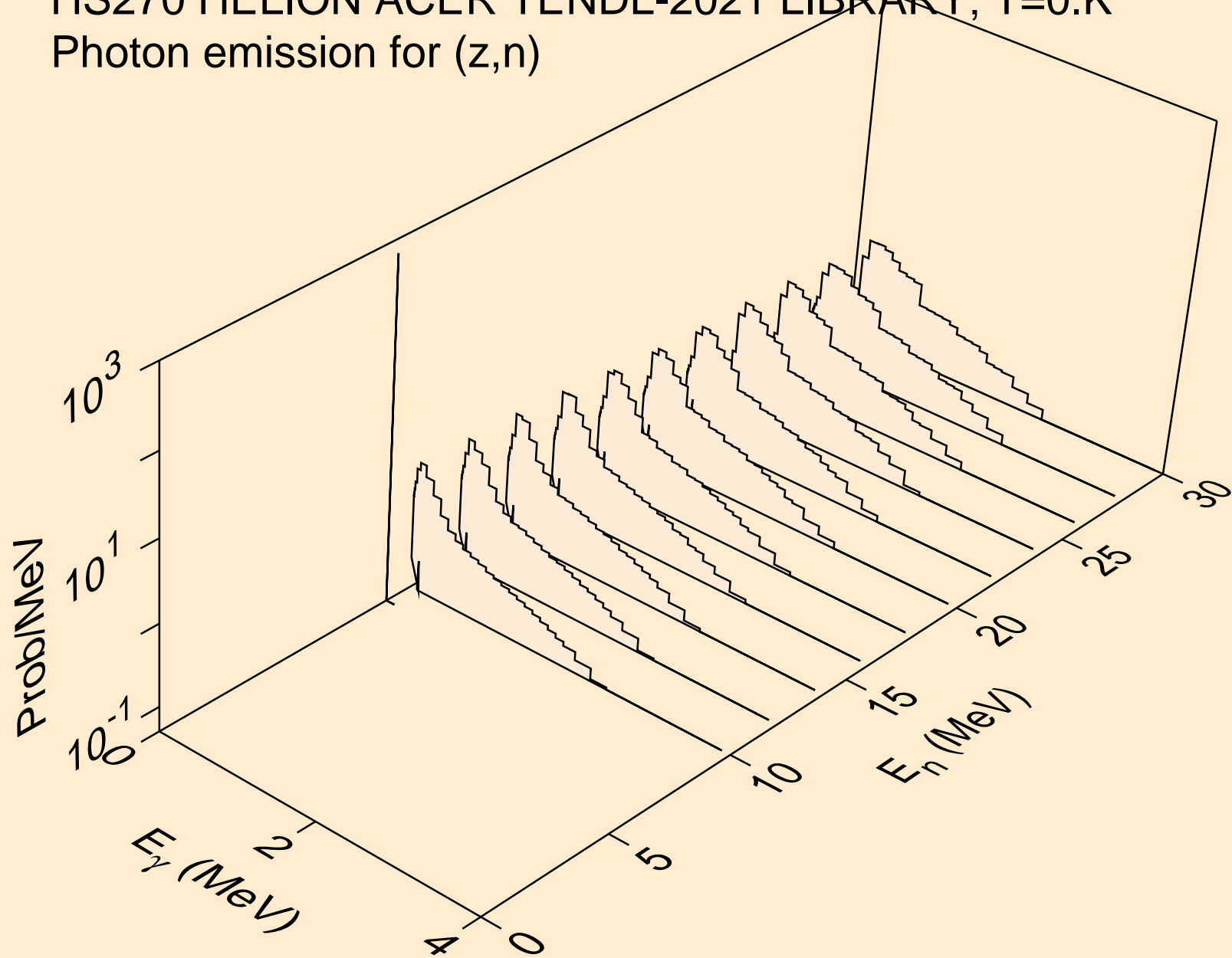
HS270 HELION ACER TENDL-2021 LIBRARY; T=0.K
He-3 emission for (s,x)



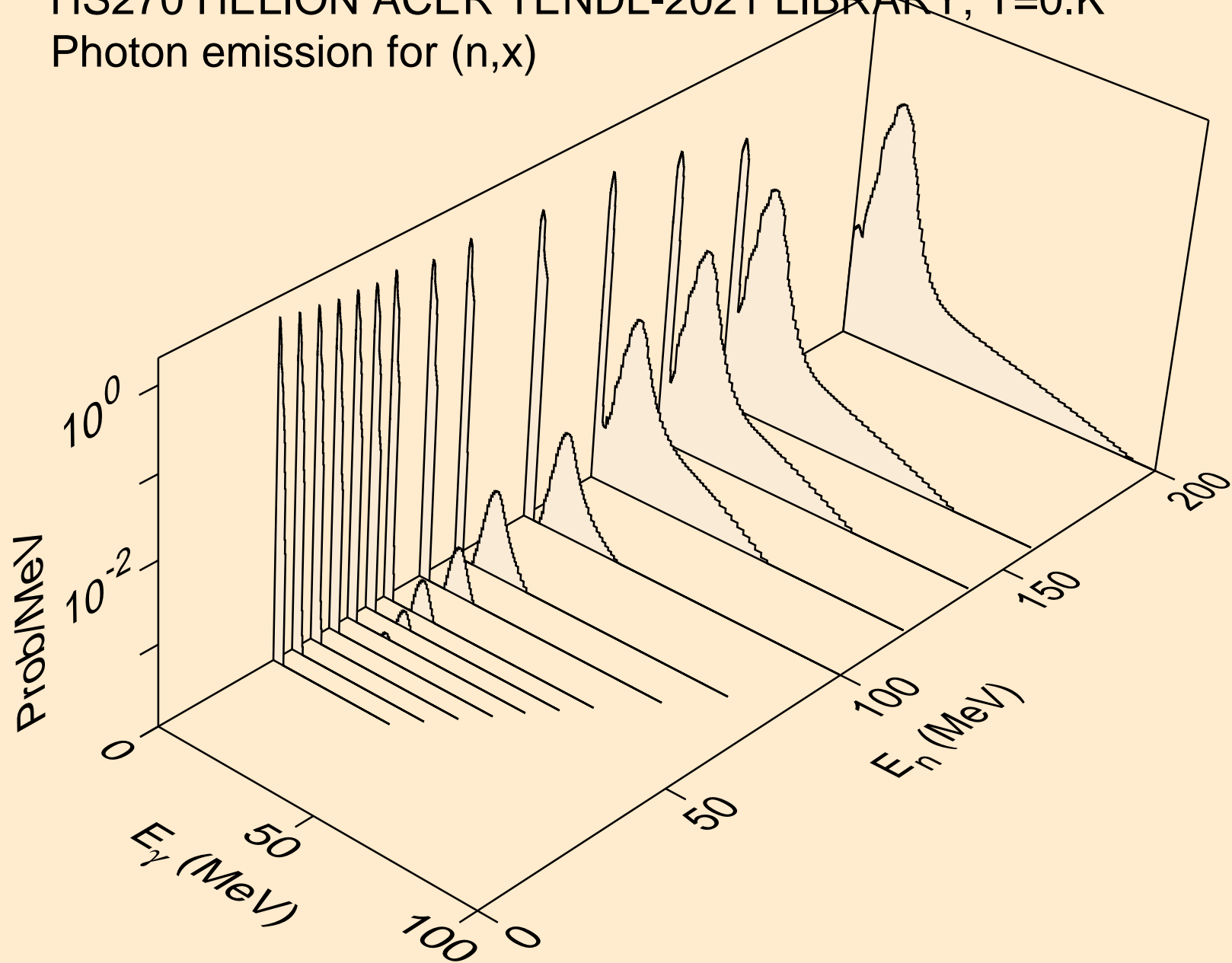
HS270 HELION ACER TENDL-2021 LIBRARY; T=0.K
He-3 emission for inelastic



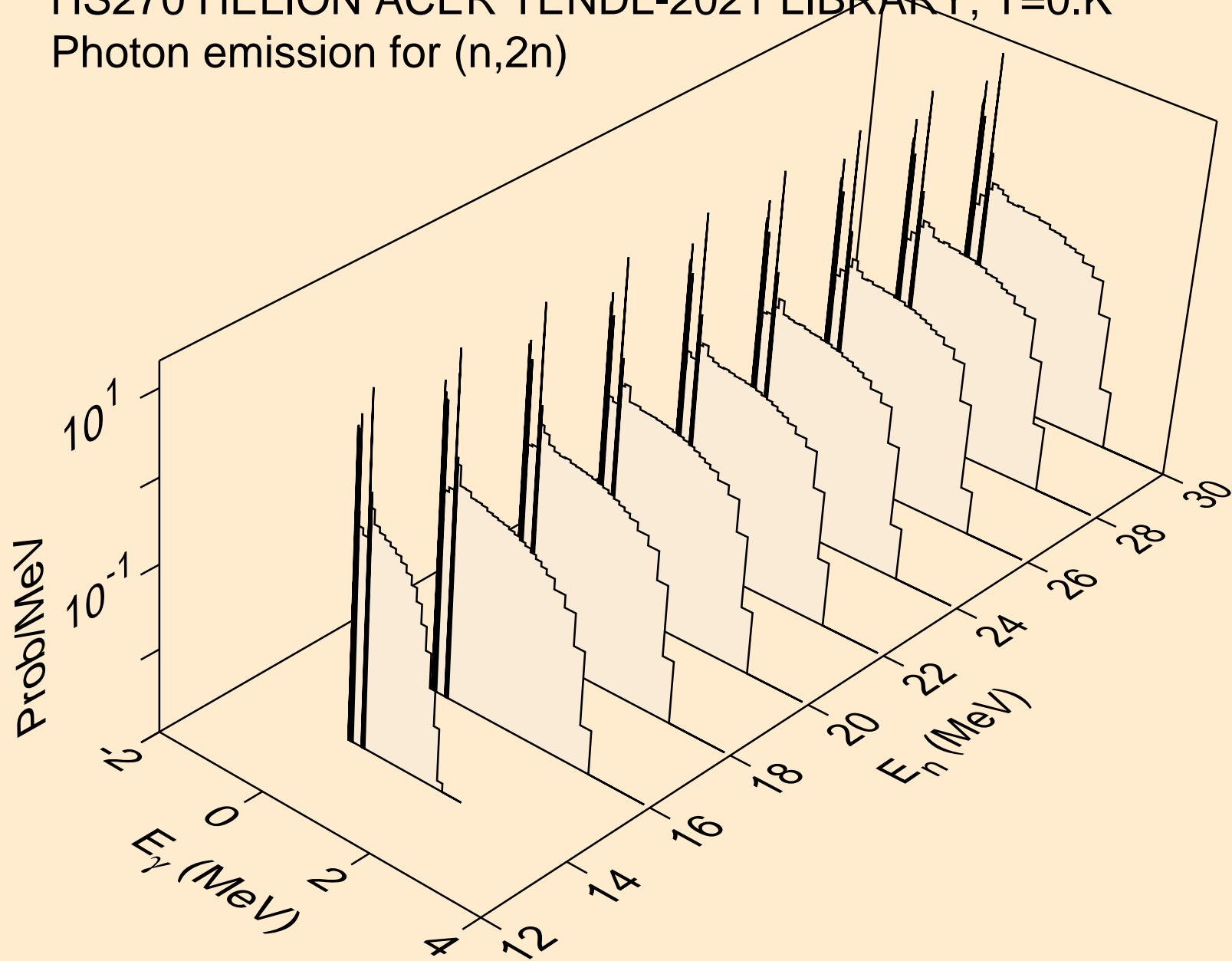
HS270 HELION ACER TENDL-2021 LIBRARY; T=0.K
Photon emission for (z,n)



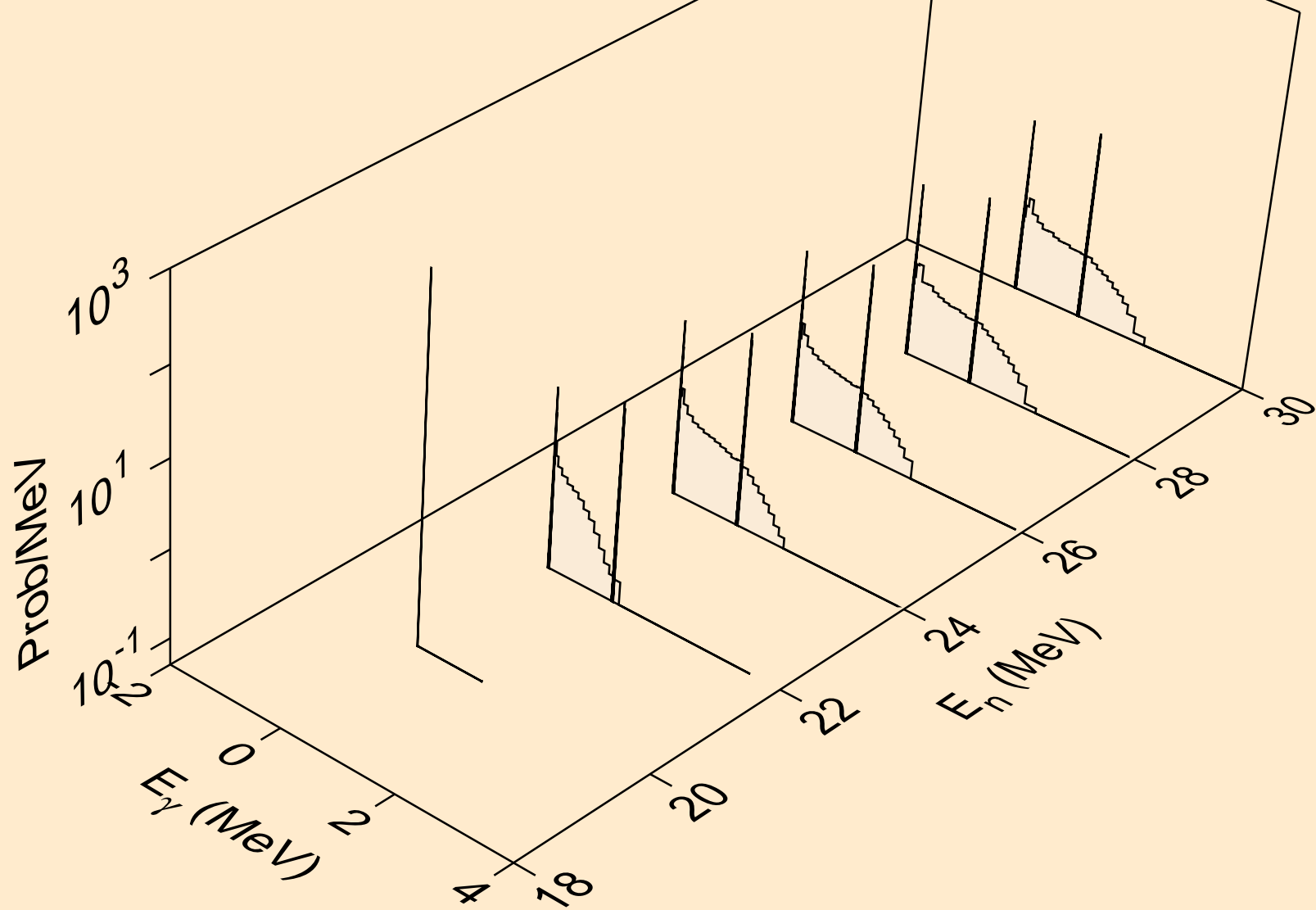
HS270 HELION ACER TENDL-2021 LIBRARY; T=0.K
Photon emission for (n,x)



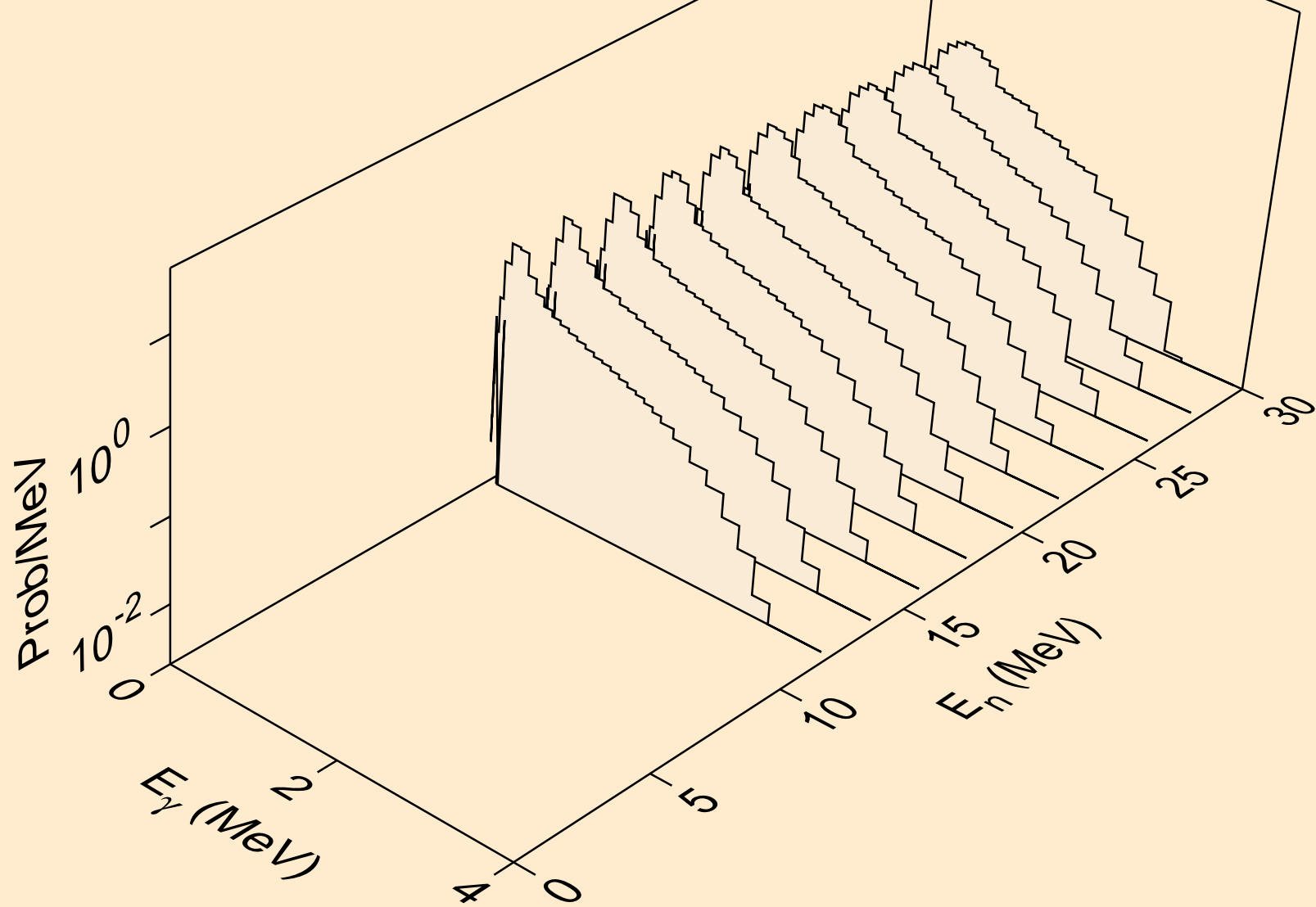
HS270 HELION ACER TENDL-2021 LIBRARY; T=0.K
Photon emission for (n,2n)



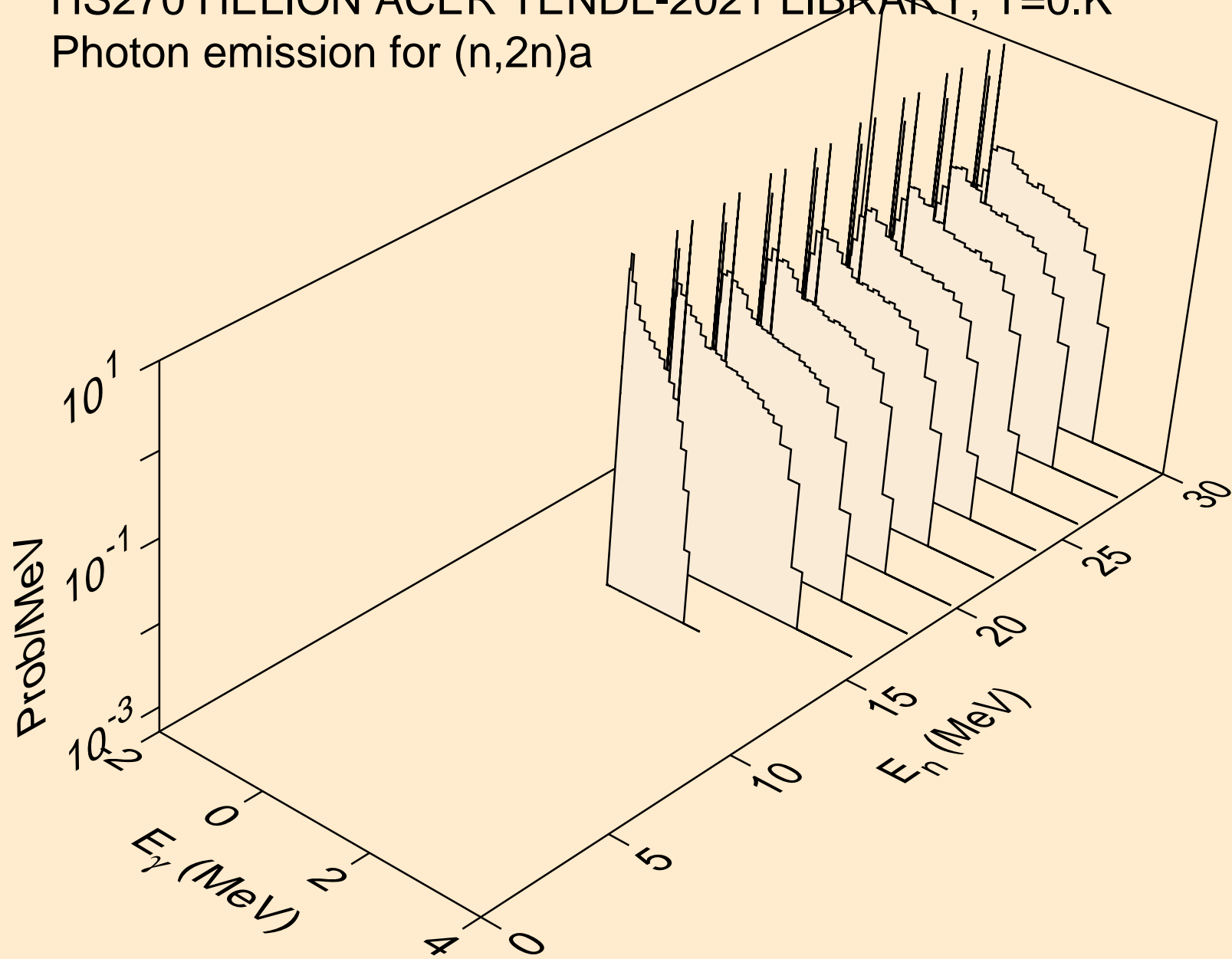
HS270 HELION ACER TENDL-2021 LIBRARY; T=0.K
Photon emission for (n,3n)



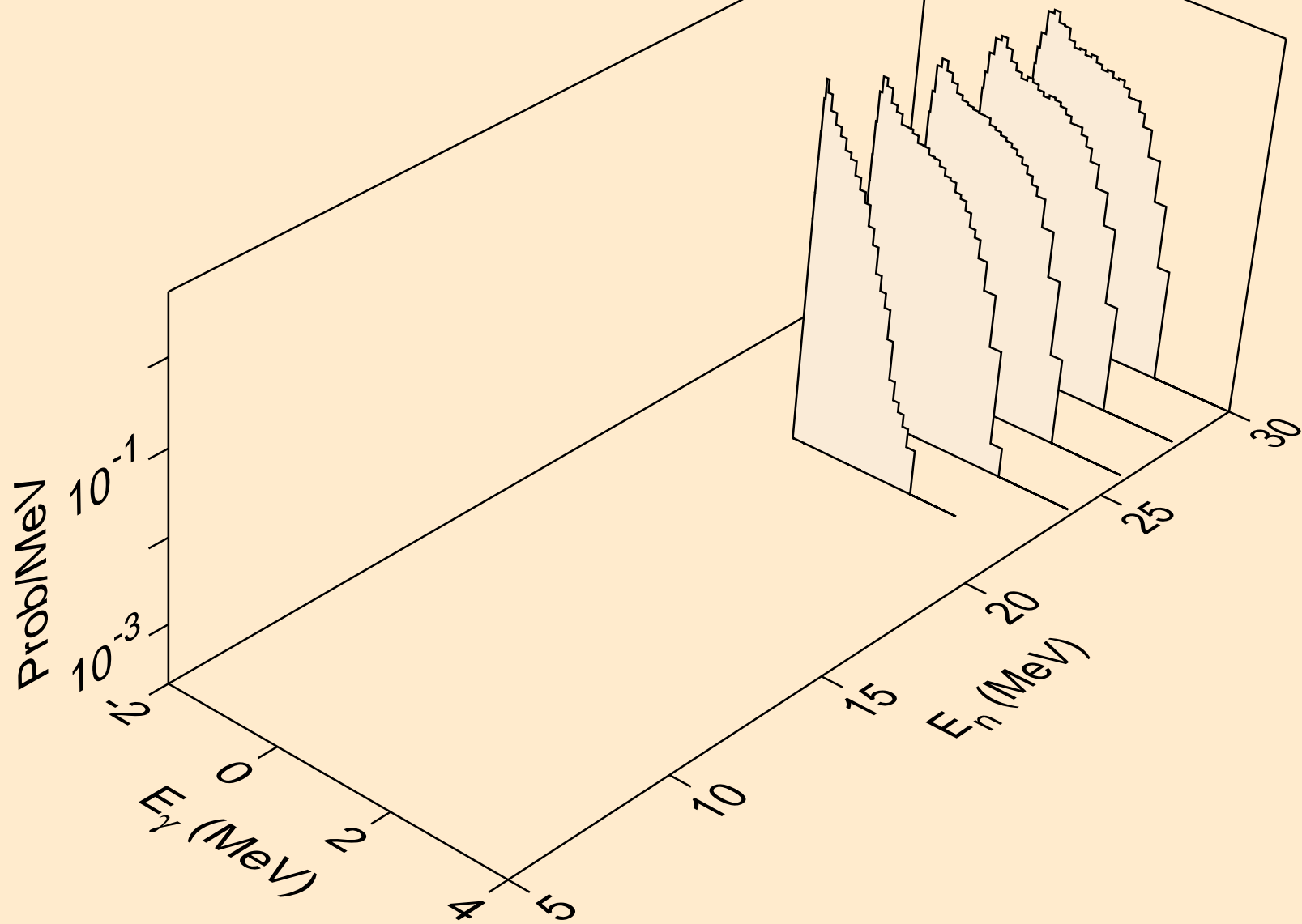
HS270 HELION ACER TENDL-2021 LIBRARY; T=0.K
Photon emission for (n,n*)a



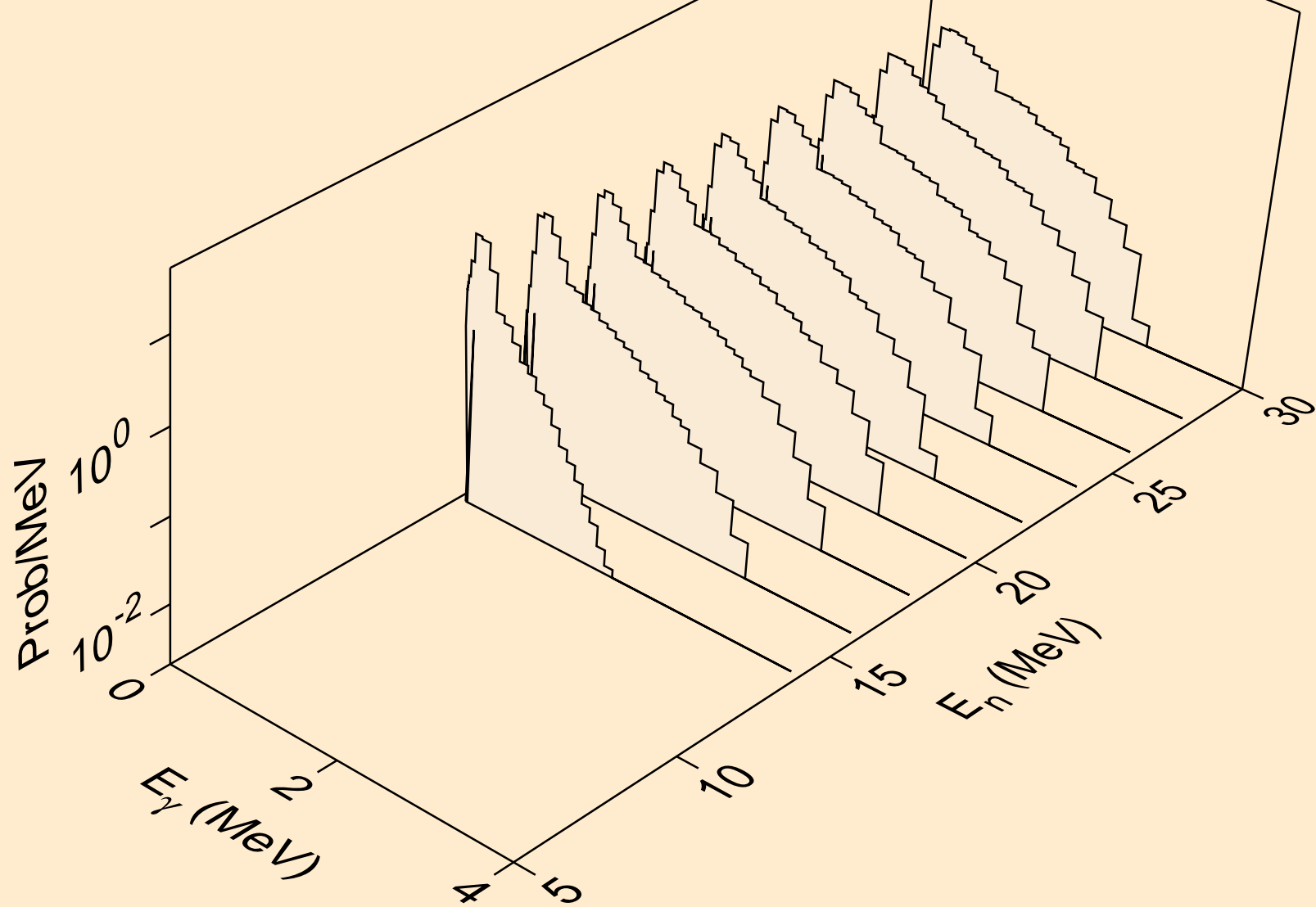
HS270 HELION ACER TENDL-2021 LIBRARY; T=0.K
Photon emission for (n,2n)a



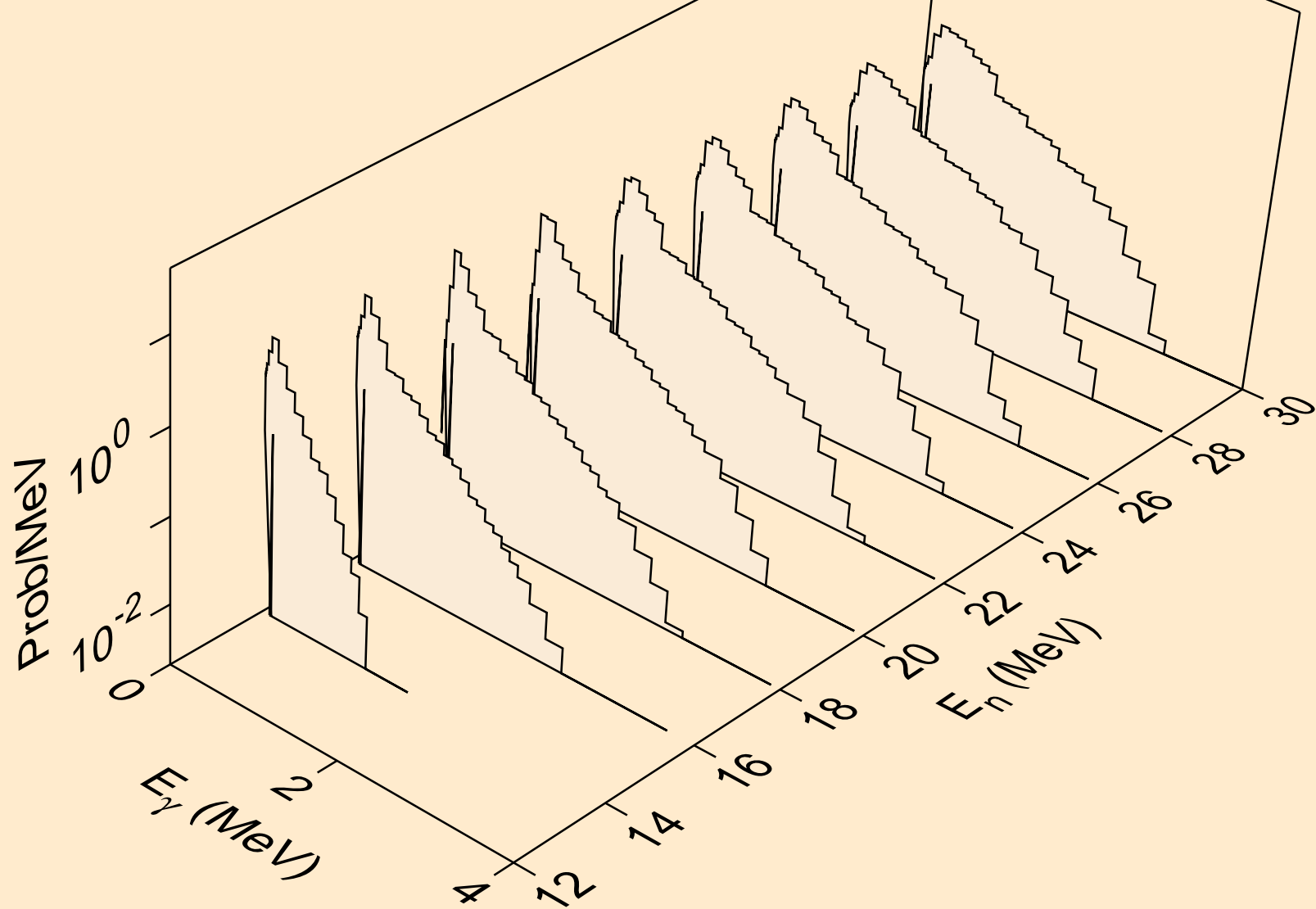
HS270 HELION ACER TENDL-2021 LIBRARY; T=0.K
Photon emission for (n,3n)a



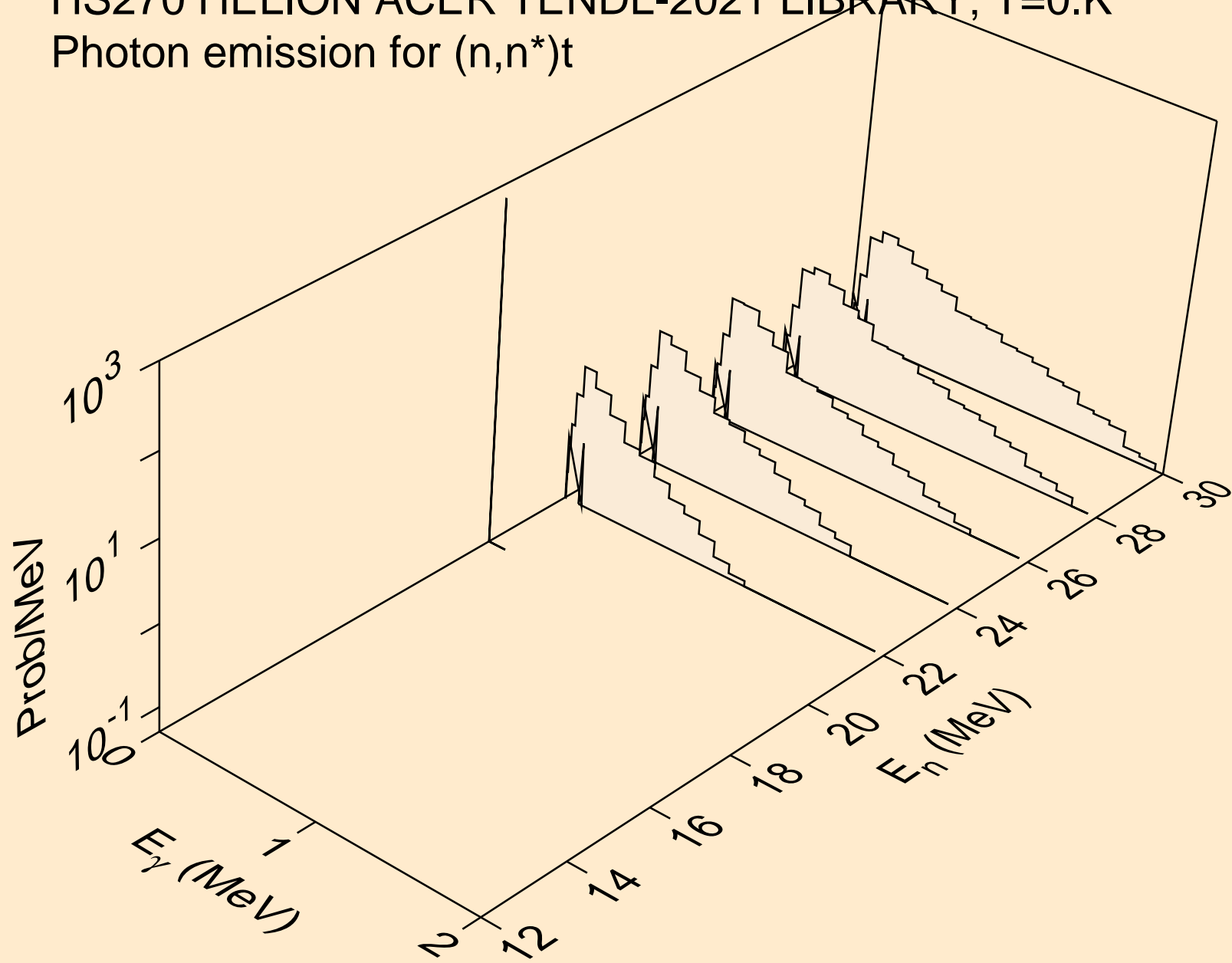
HS270 HELION ACER TENDL-2021 LIBRARY; T=0.K
Photon emission for (n,n*)p



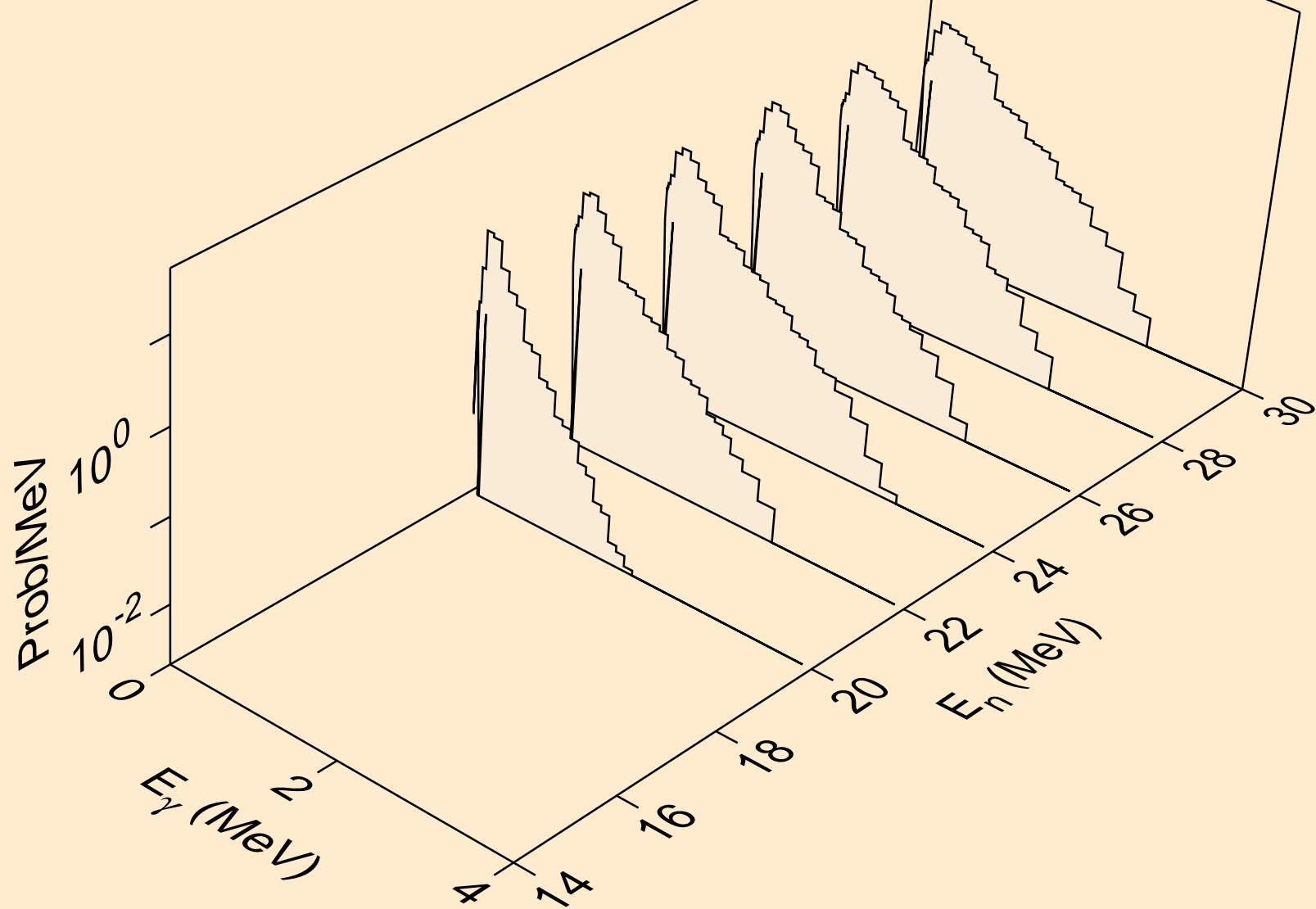
HS270 HELION ACER TENDL-2021 LIBRARY; T=0.K
Photon emission for (n,n*)d



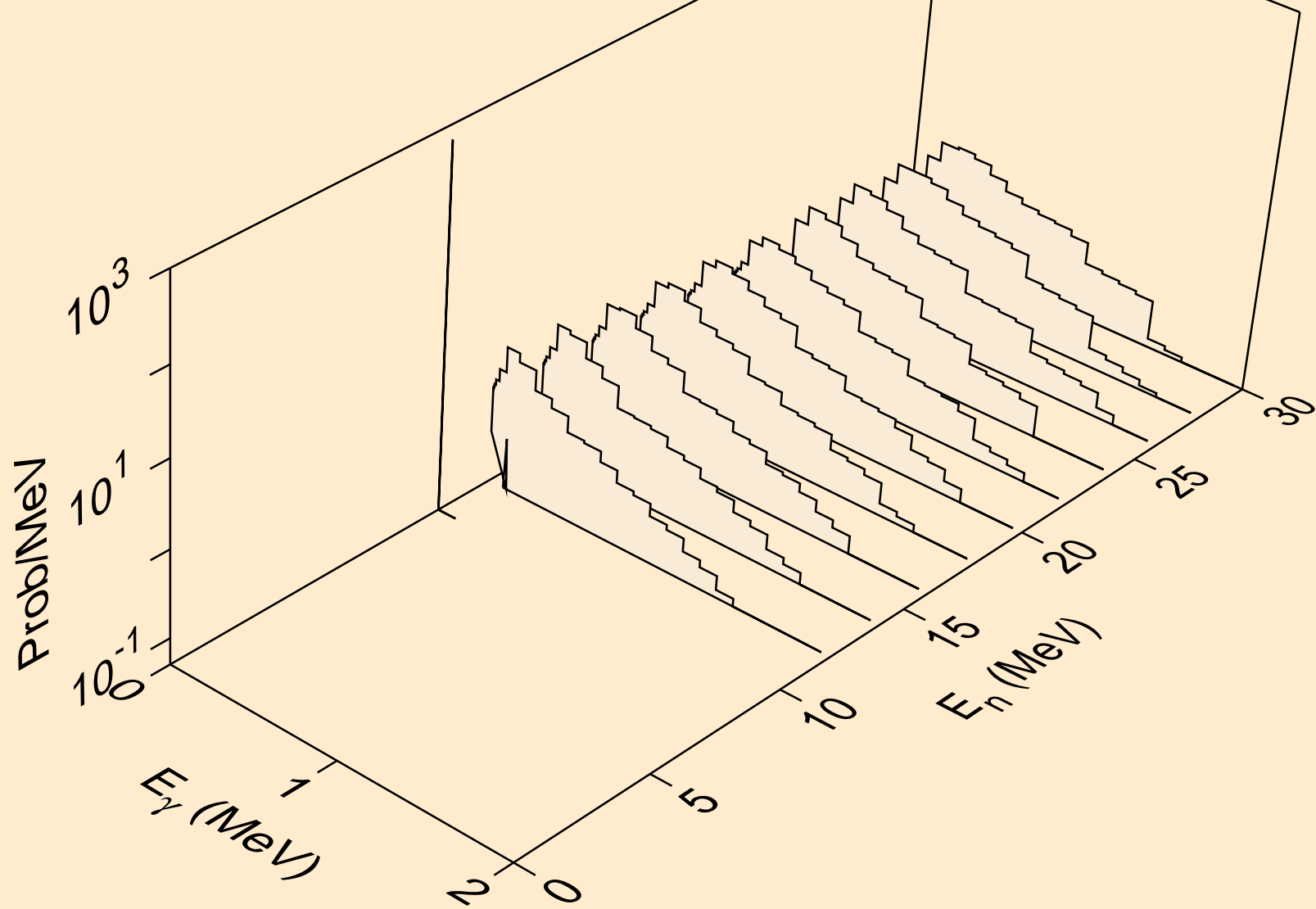
HS270 HELION ACER TENDL-2021 LIBRARY; T=0.K
Photon emission for (n,n*)t



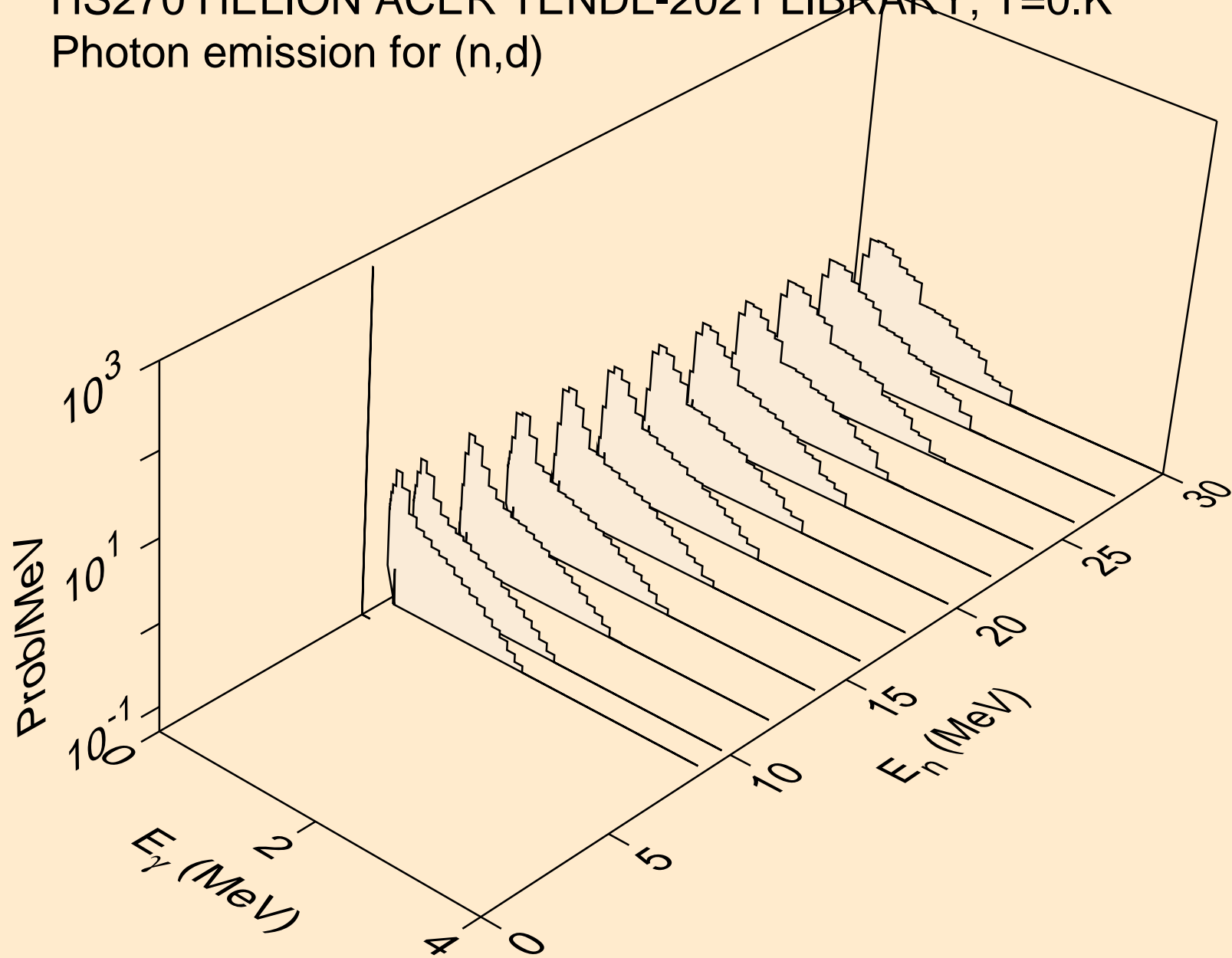
HS270 HELION ACER TENDL-2021 LIBRARY; T=0.K
Photon emission for (n,2np)



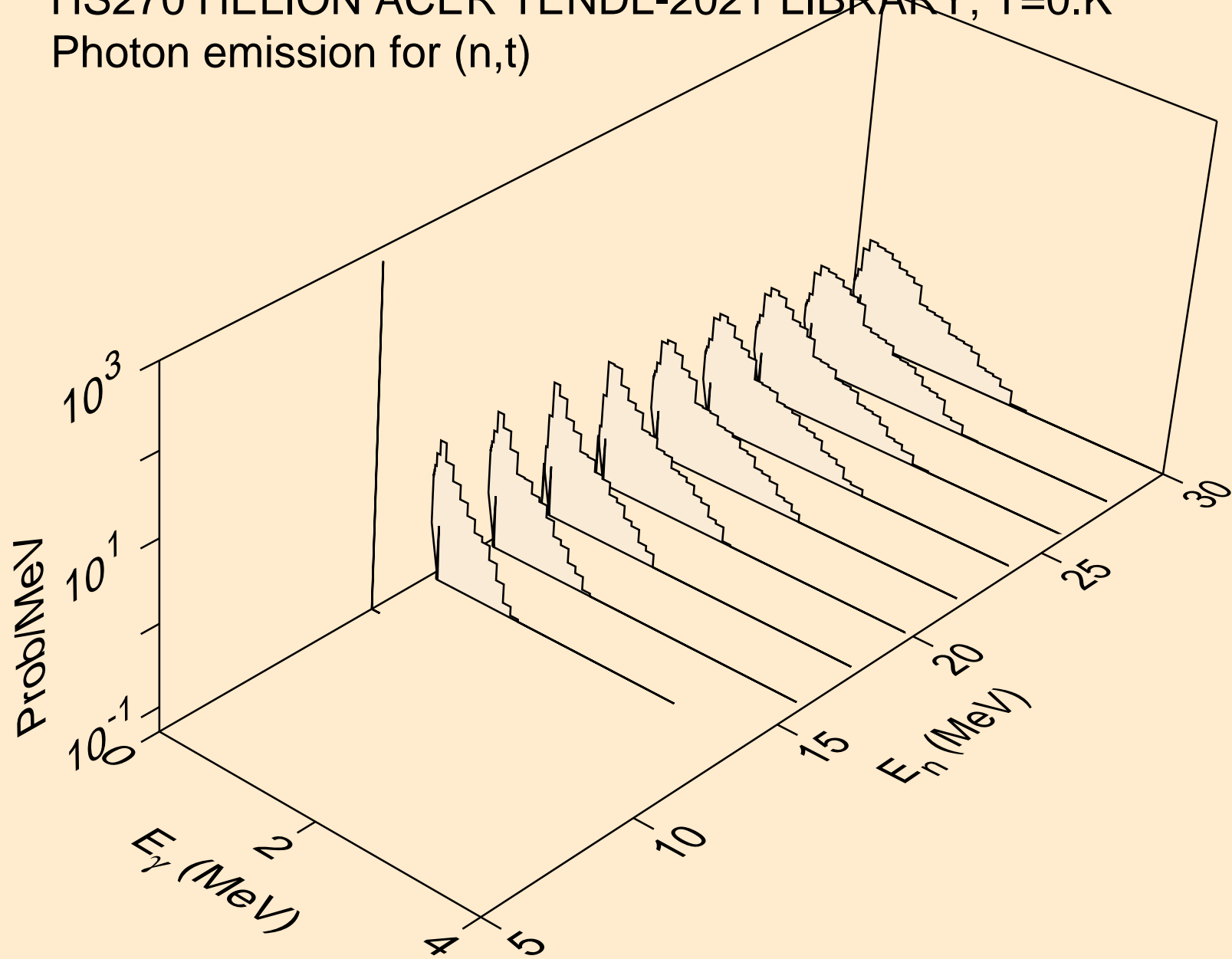
HS270 HELION ACER TENDL-2021 LIBRARY; T=0.K
Photon emission for (n,p)



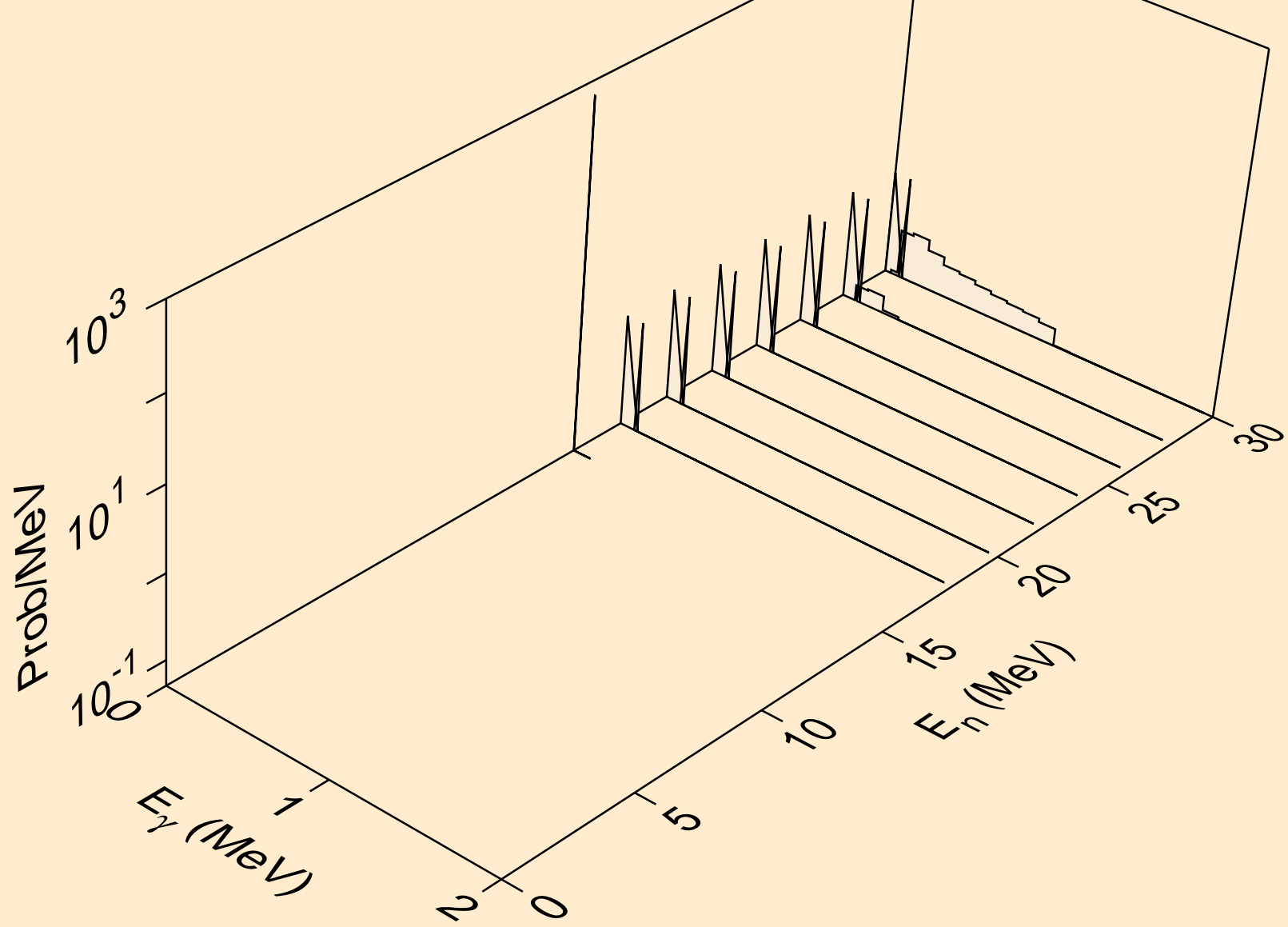
HS270 HELION ACER TENDL-2021 LIBRARY; T=0.K
Photon emission for (n,d)



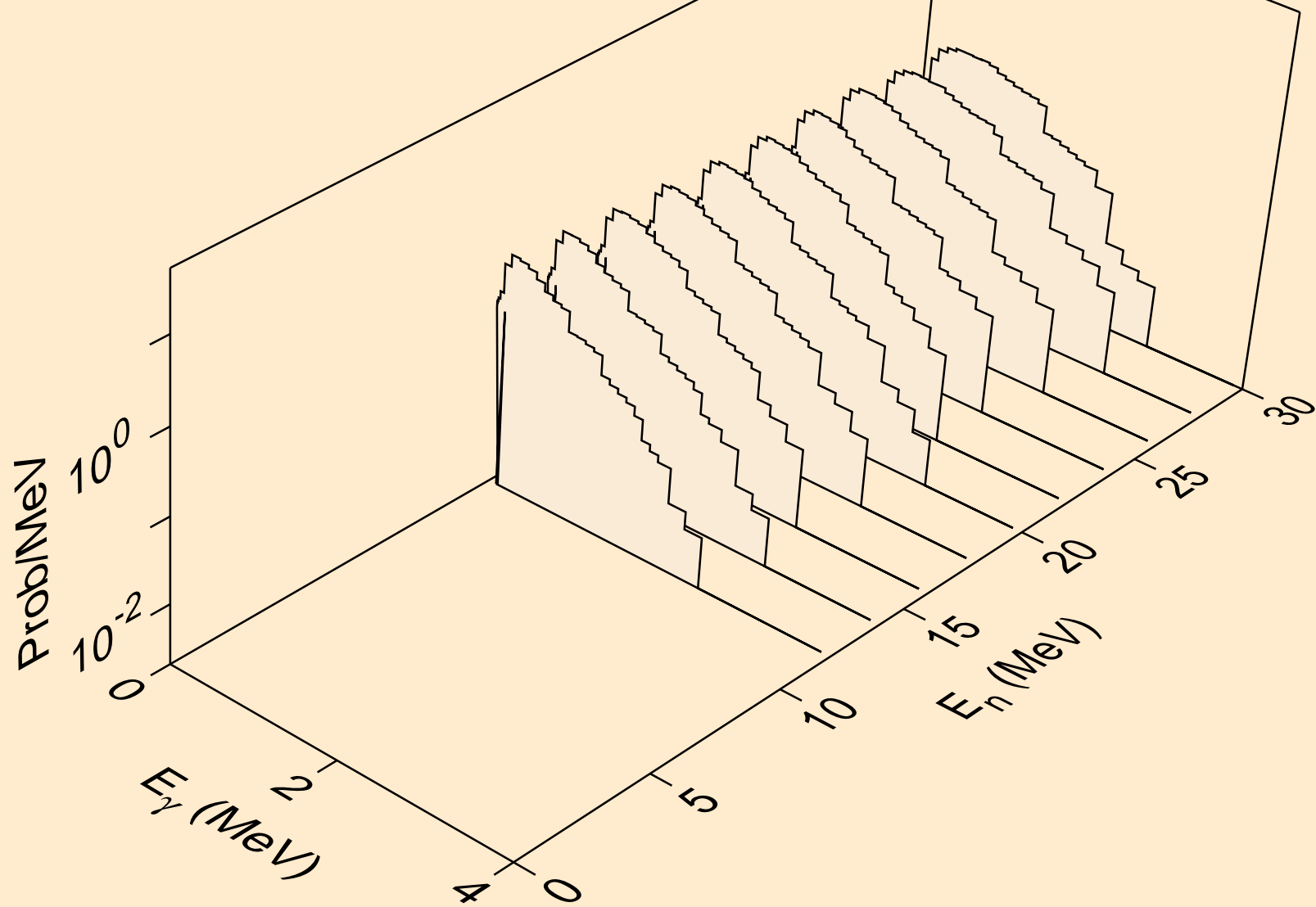
HS270 HELION ACER TENDL-2021 LIBRARY; T=0.K
Photon emission for (n,t)



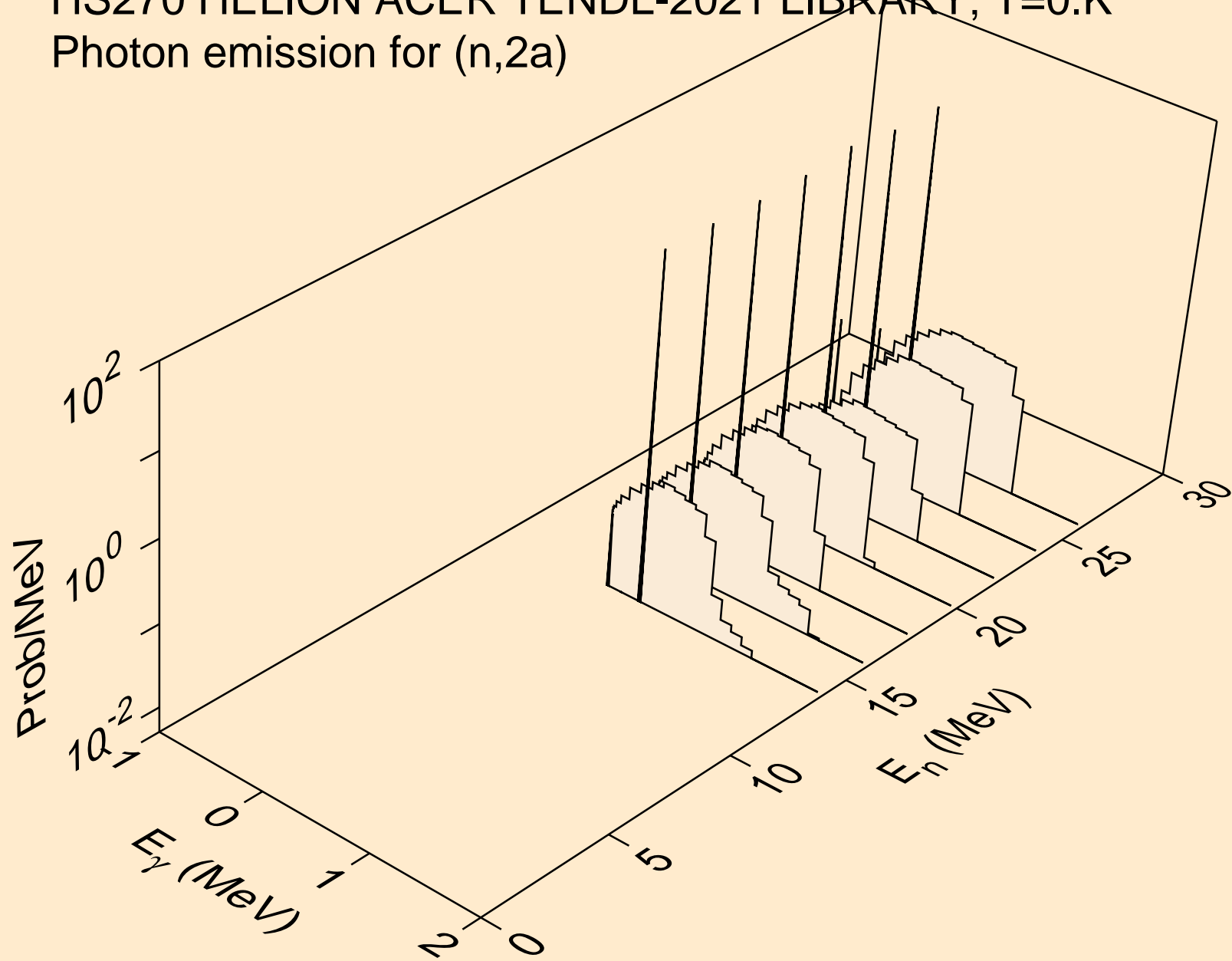
HS270 HELION ACER TENDL-2021 LIBRARY; T=0.K
Photon emission for inelastic



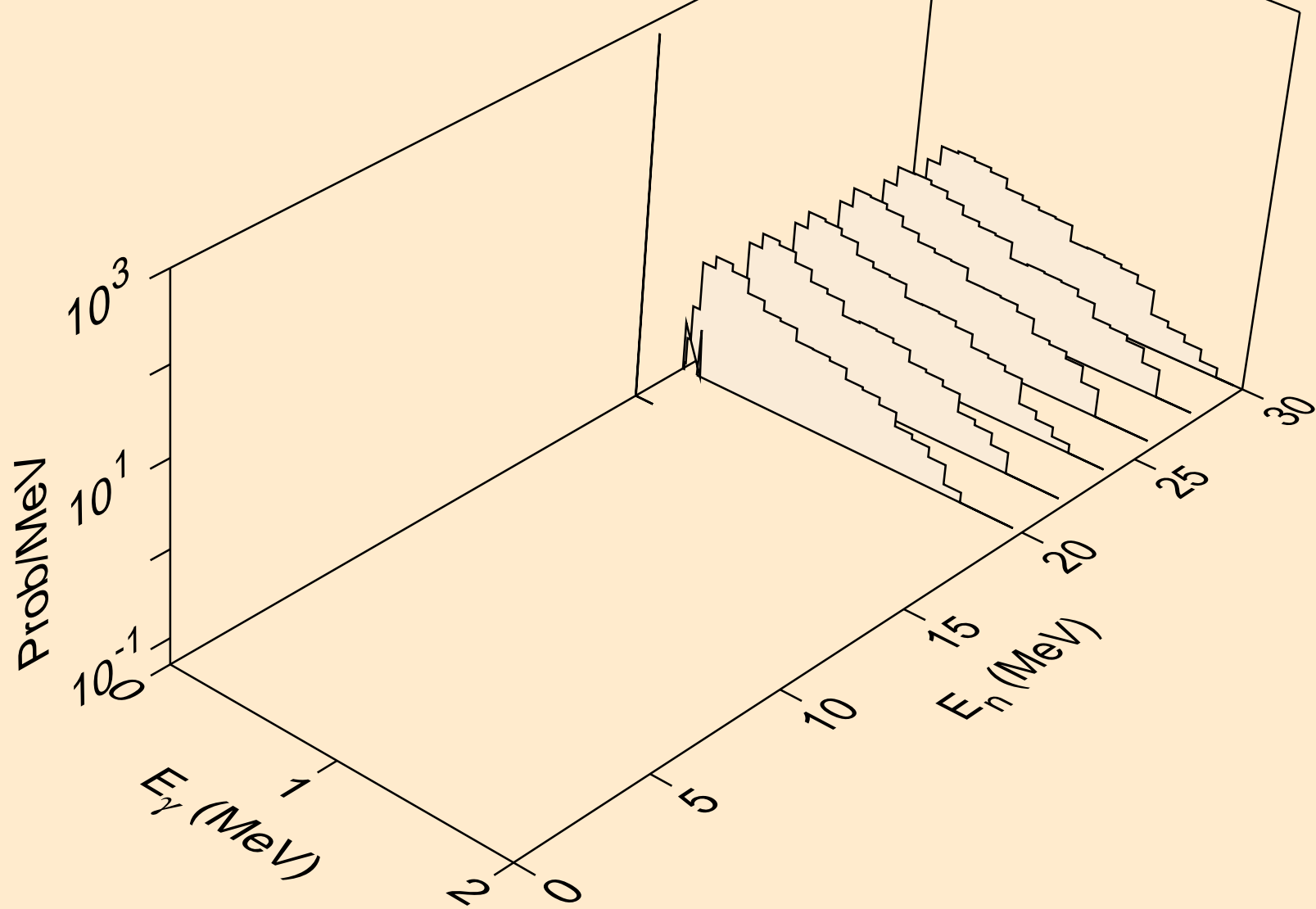
HS270 HELION ACER TENDL-2021 LIBRARY; T=0.K
Photon emission for (n,a)



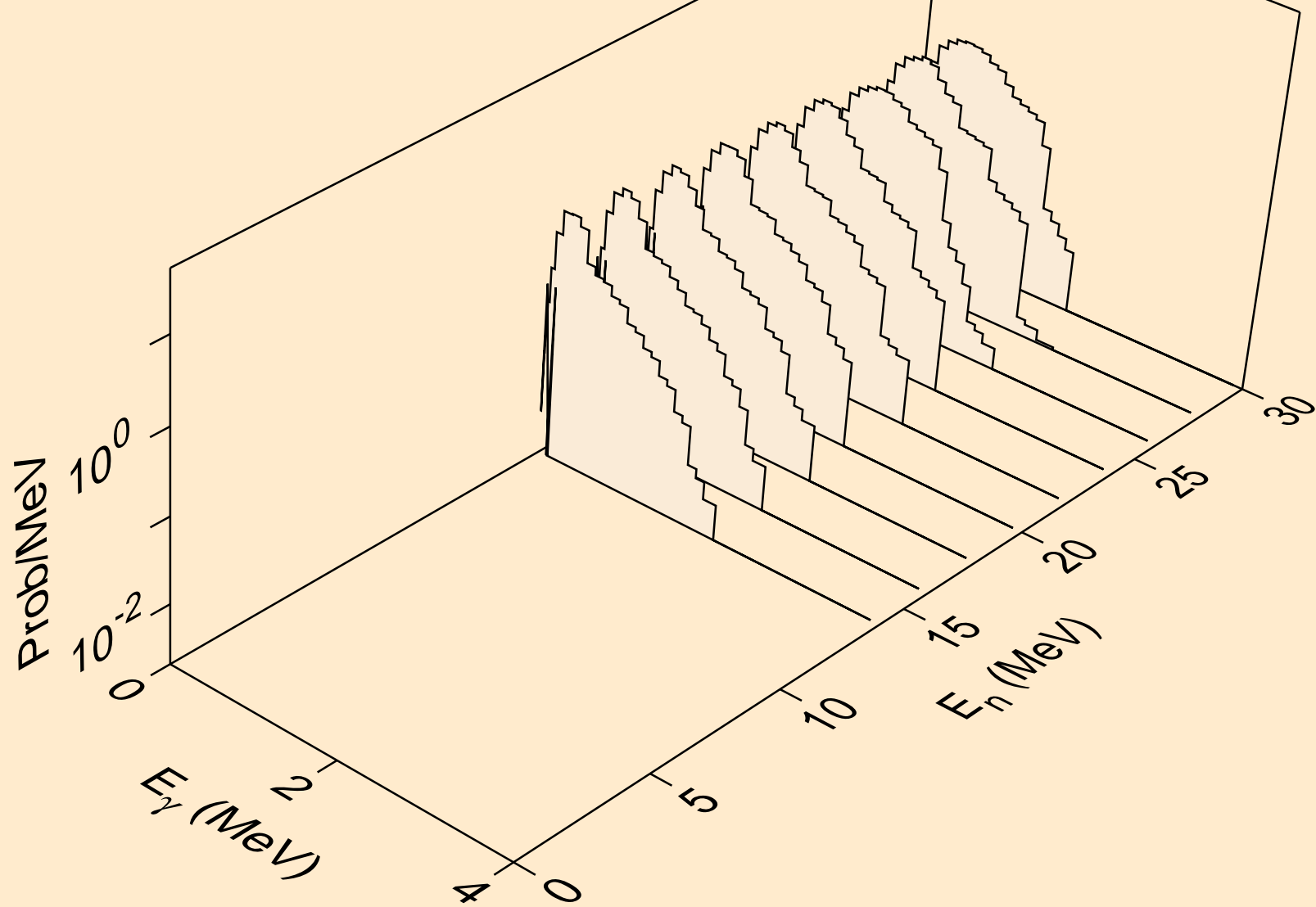
HS270 HELION ACER TENDL-2021 LIBRARY; T=0.K
Photon emission for (n,2a)



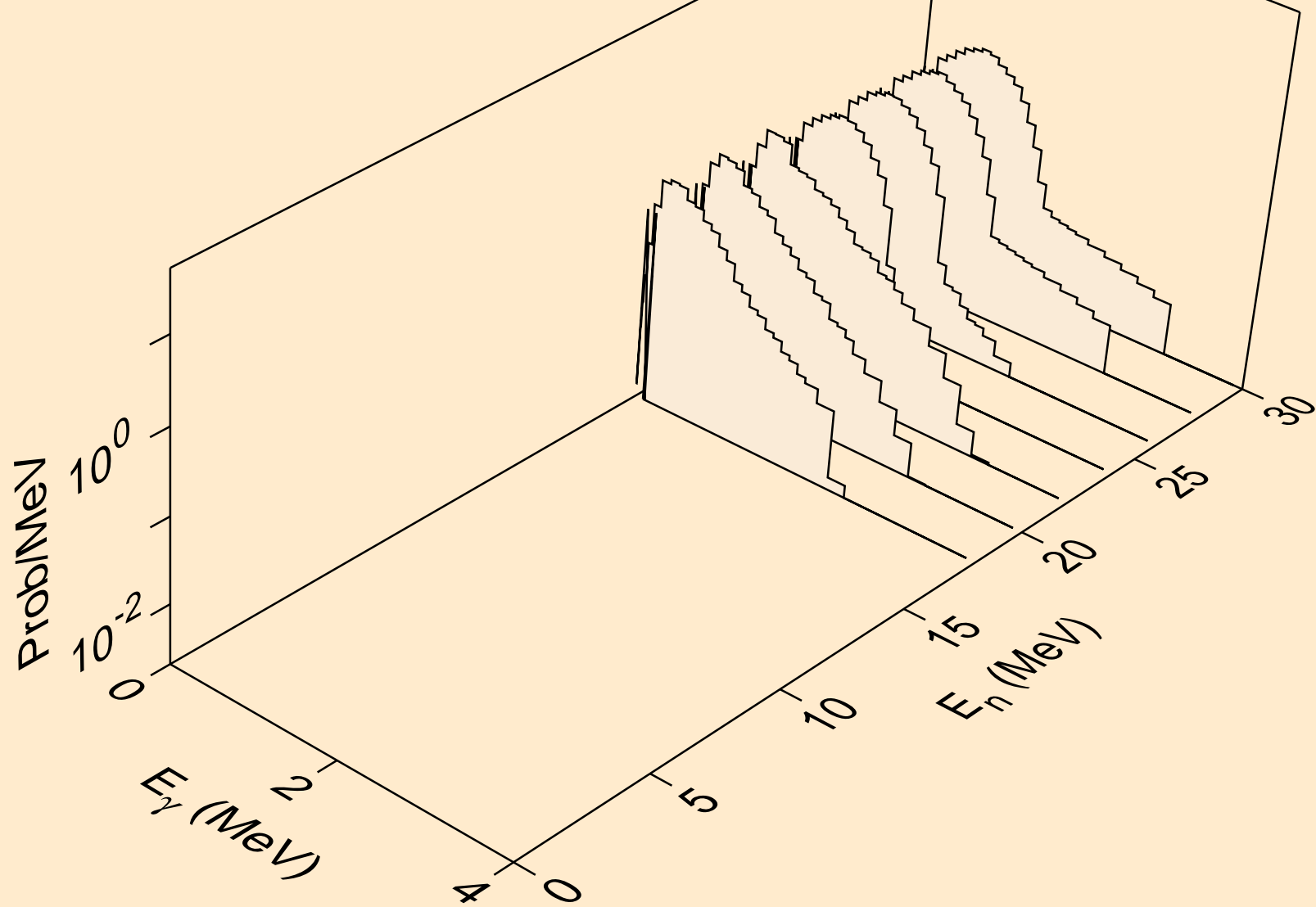
HS270 HELION ACER TENDL-2021 LIBRARY; T=0.K
Photon emission for (n,2p)



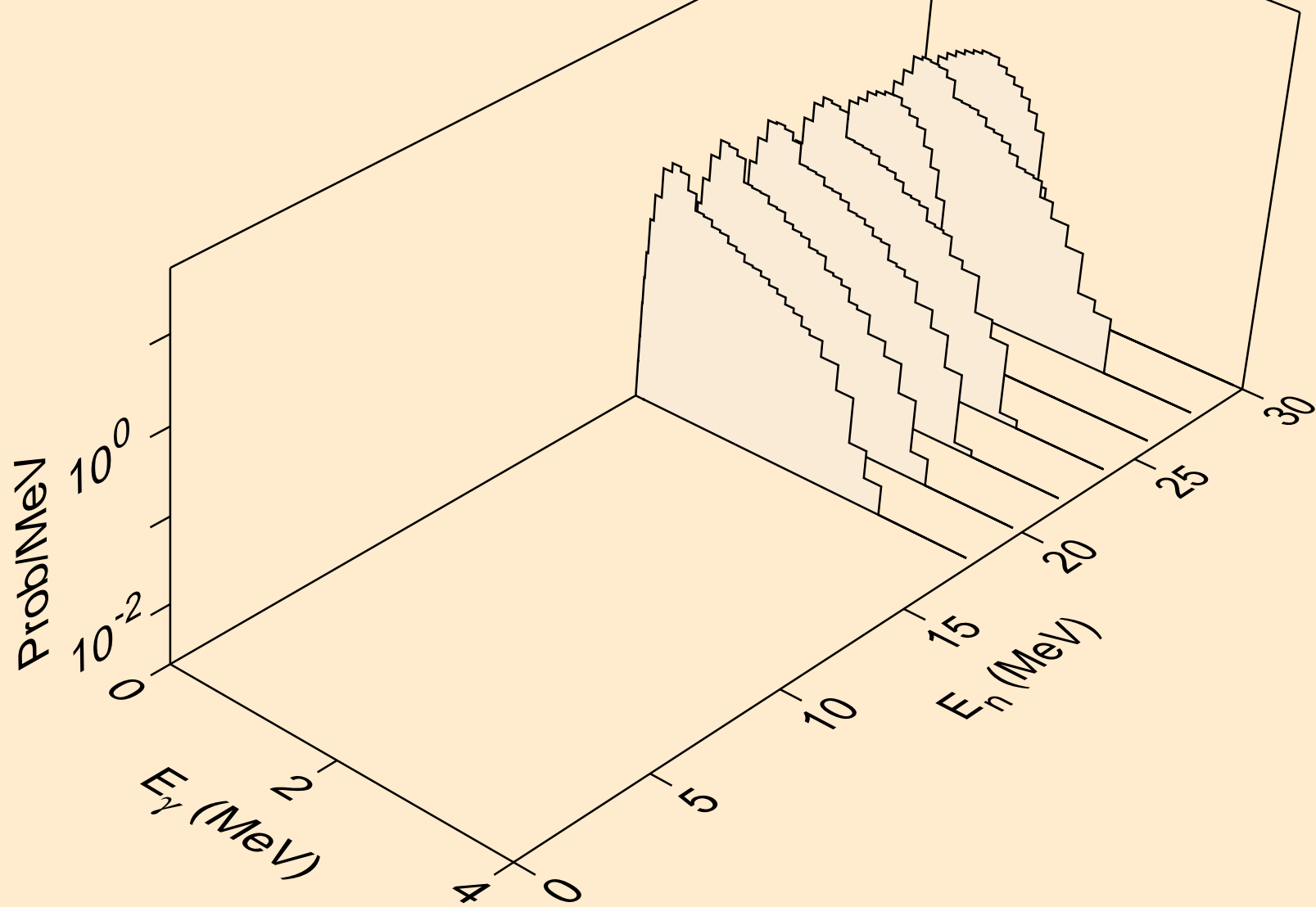
HS270 HELION ACER TENDL-2021 LIBRARY; T=0.K
Photon emission for (n,pa)



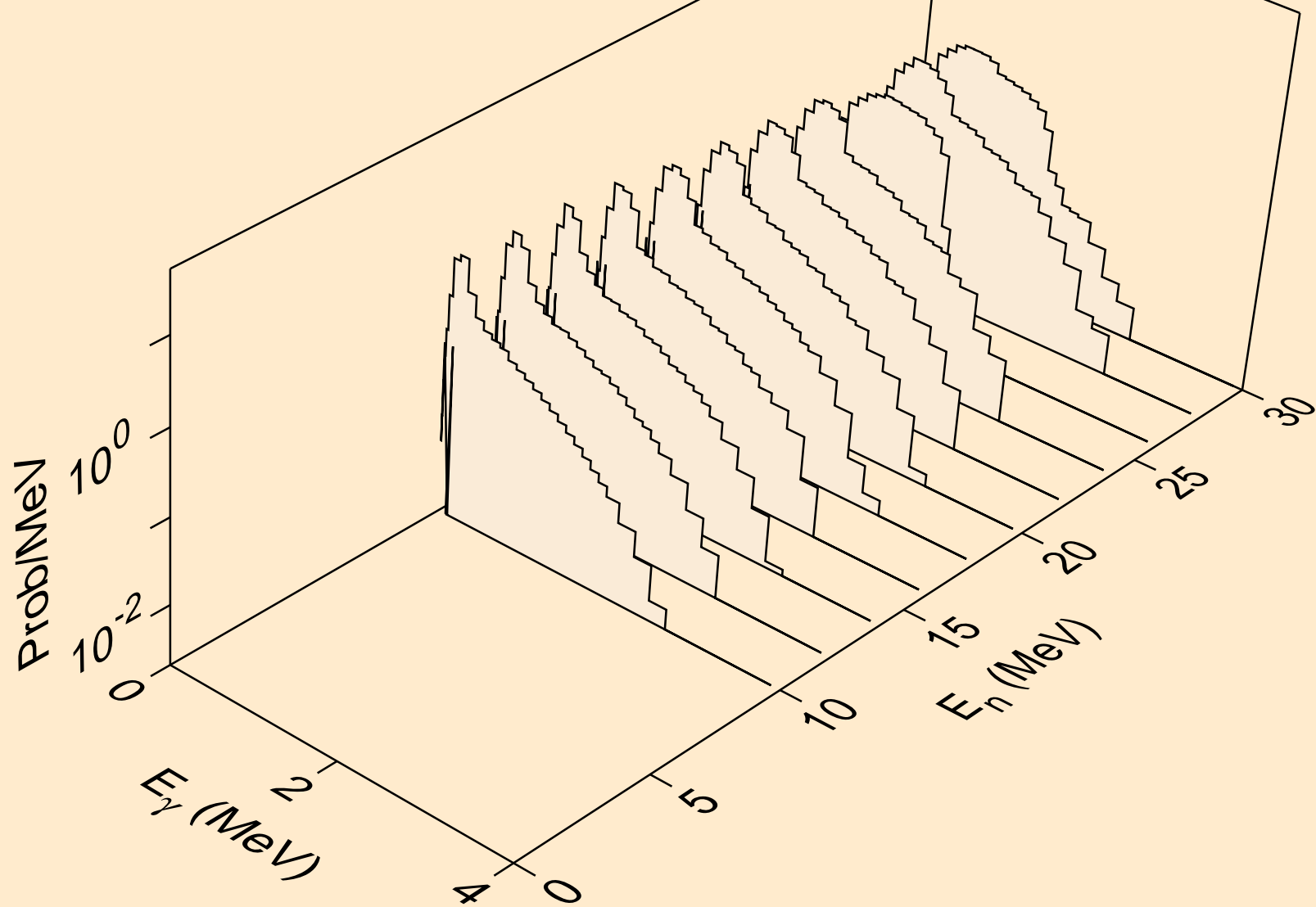
HS270 HELION ACER TENDL-2021 LIBRARY; T=0.K
Photon emission for (n,t2a)



HS270 HELION ACER TENDL-2021 LIBRARY; T=0.K
Photon emission for (n,d2a)

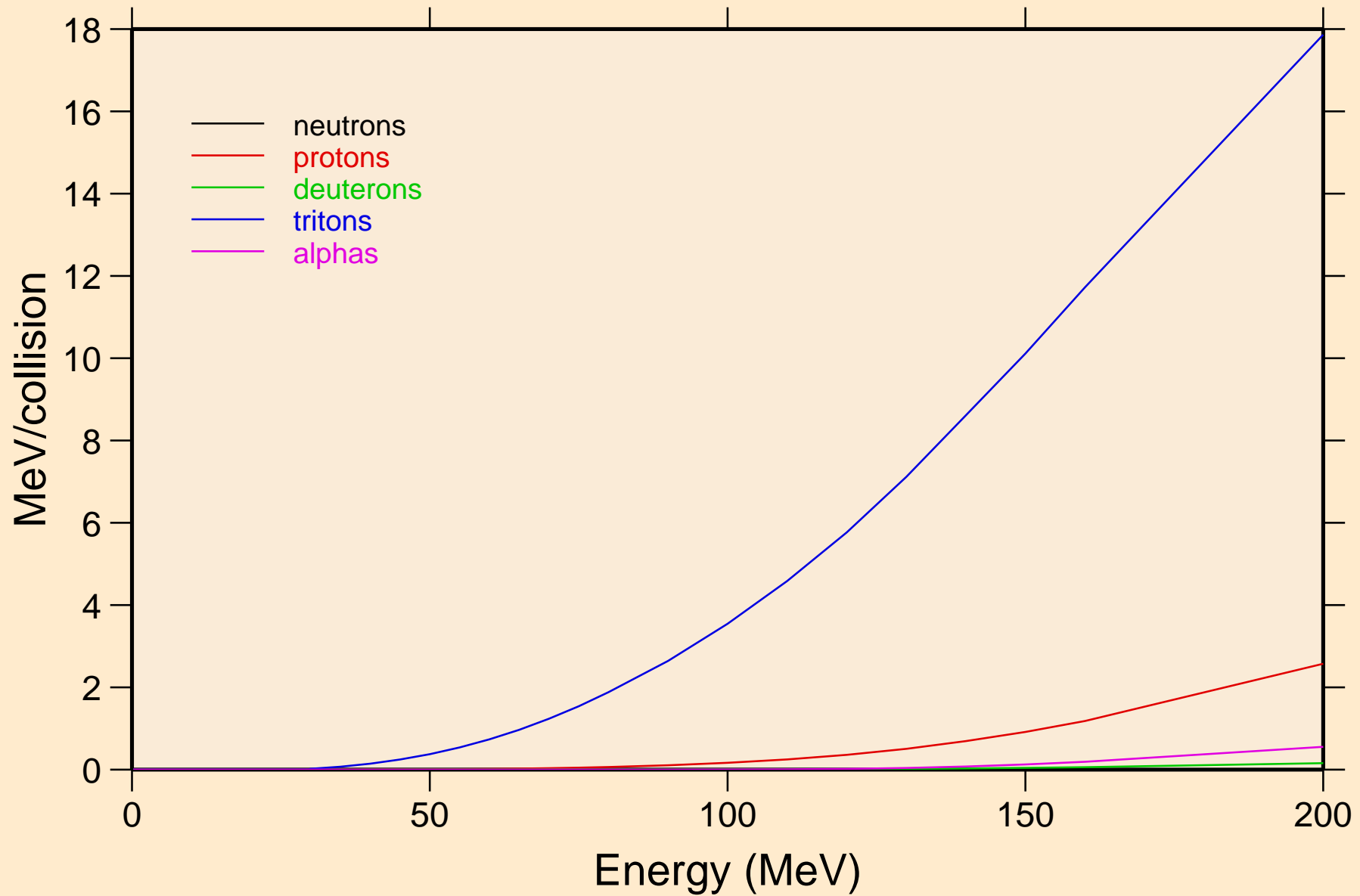


HS270 HELION ACER TENDL-2021 LIBRARY; T=0.K
Photon emission for (n,da)

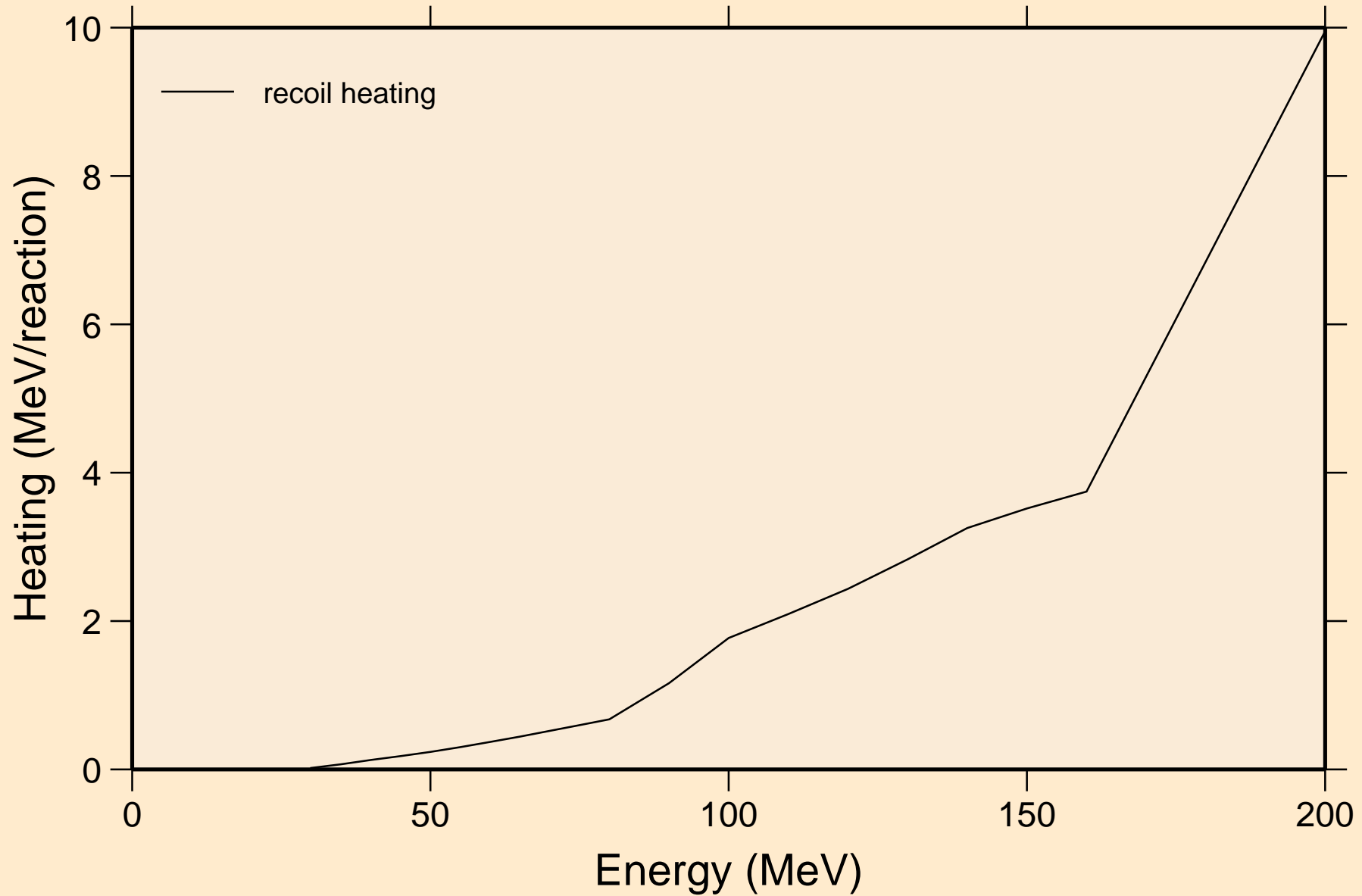


HS270 HELION ACER TENDL-2021 LIBRARY; T=0.K

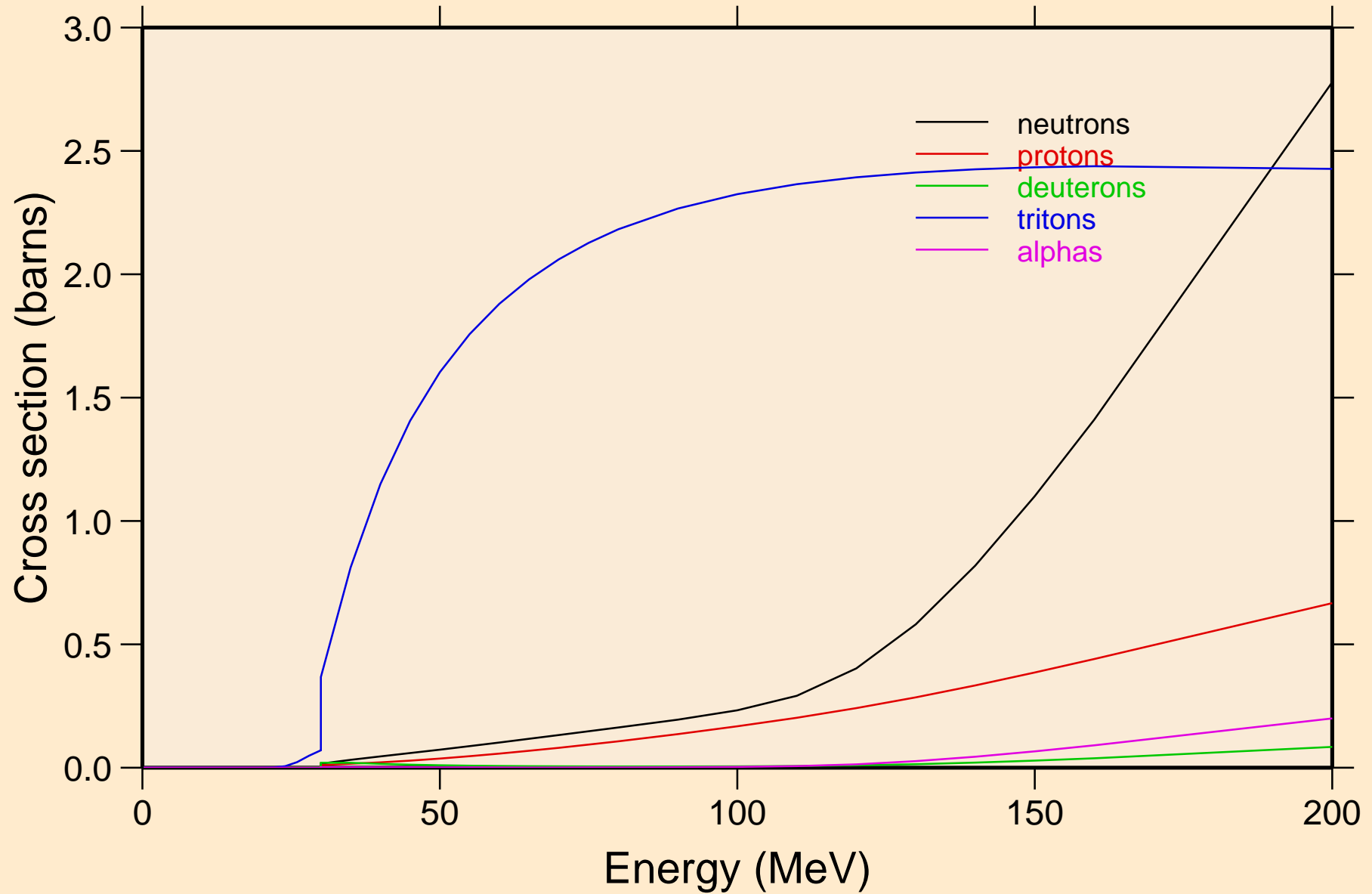
Particle heating contributions



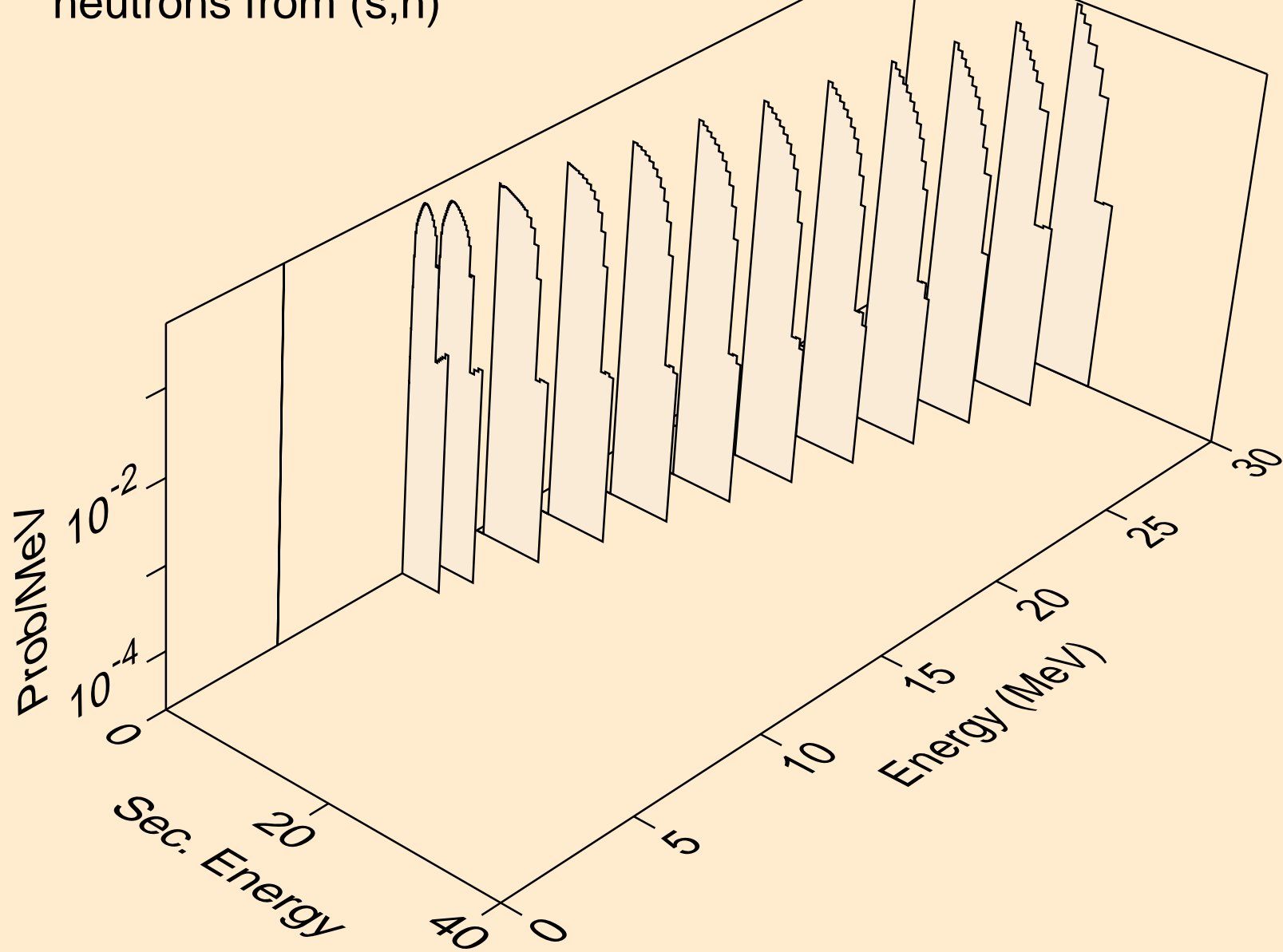
HS270 HELION ACER TENDL-2021 LIBRARY; T=0.K
Recoil Heating



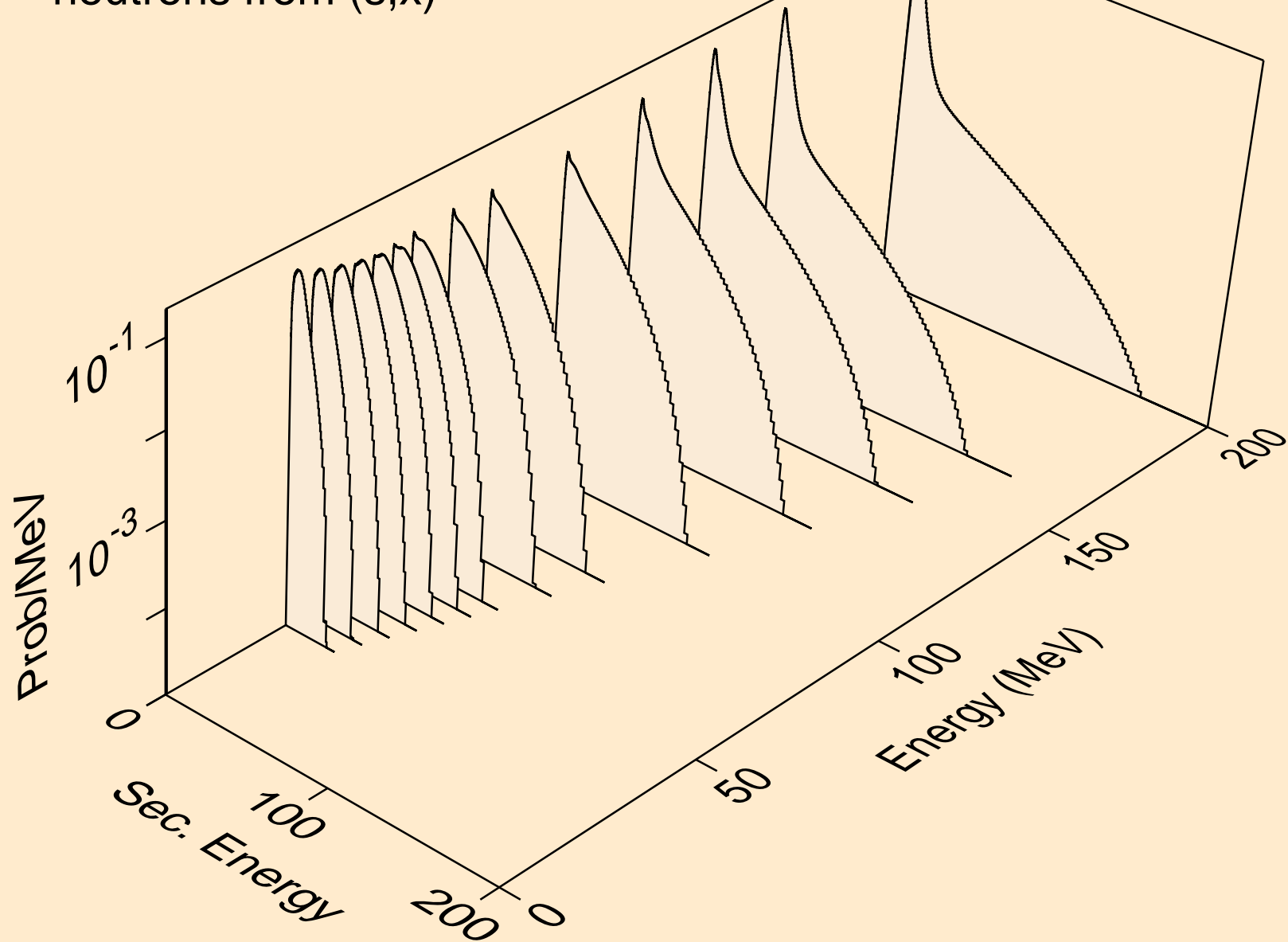
HS270 HELION ACER TENDL-2021 LIBRARY; T=0.K
Particle production cross sections



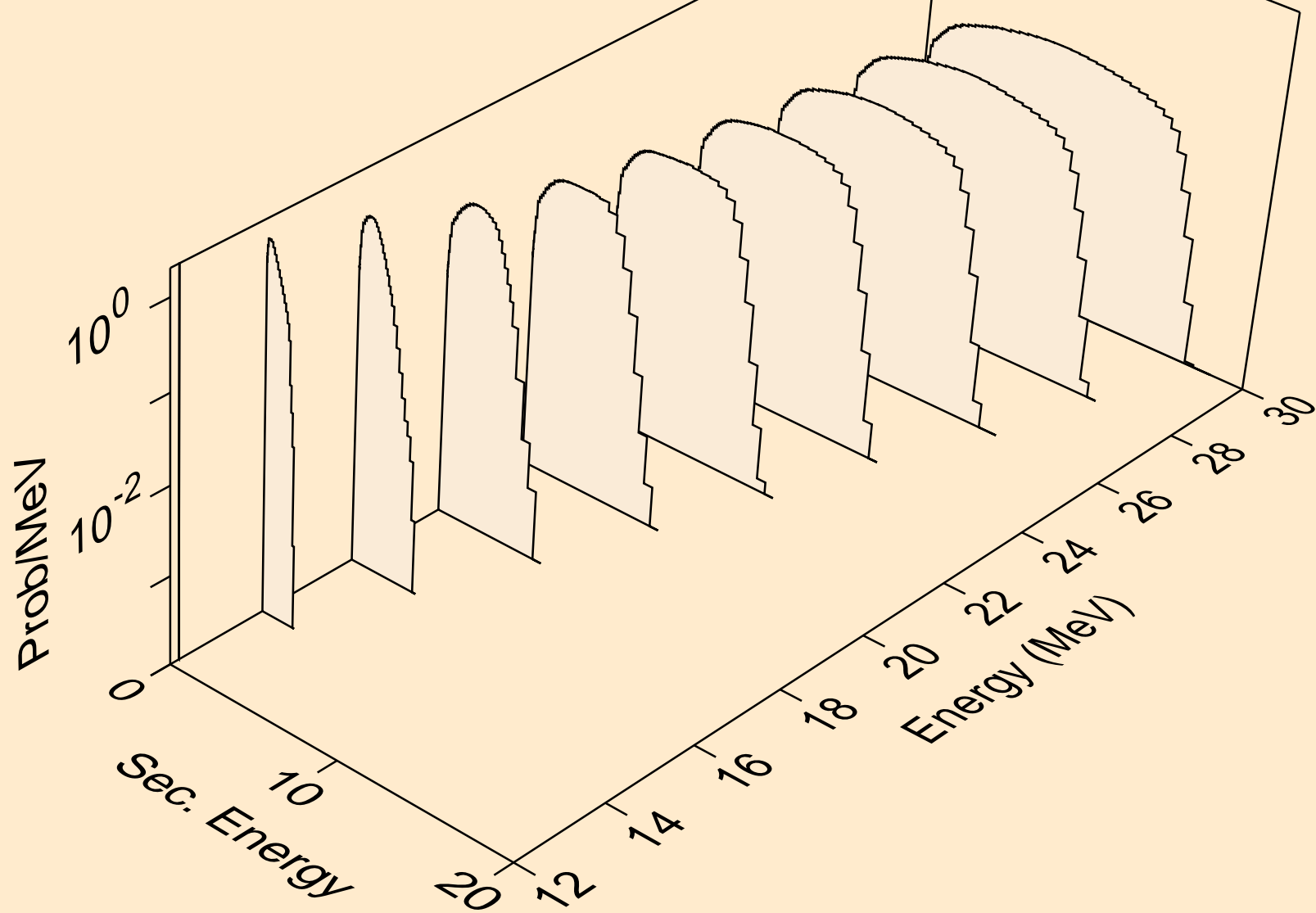
HS270 HELION ACER TENDL-2021 LIBRARY; T=0.K
neutrons from (s,n)



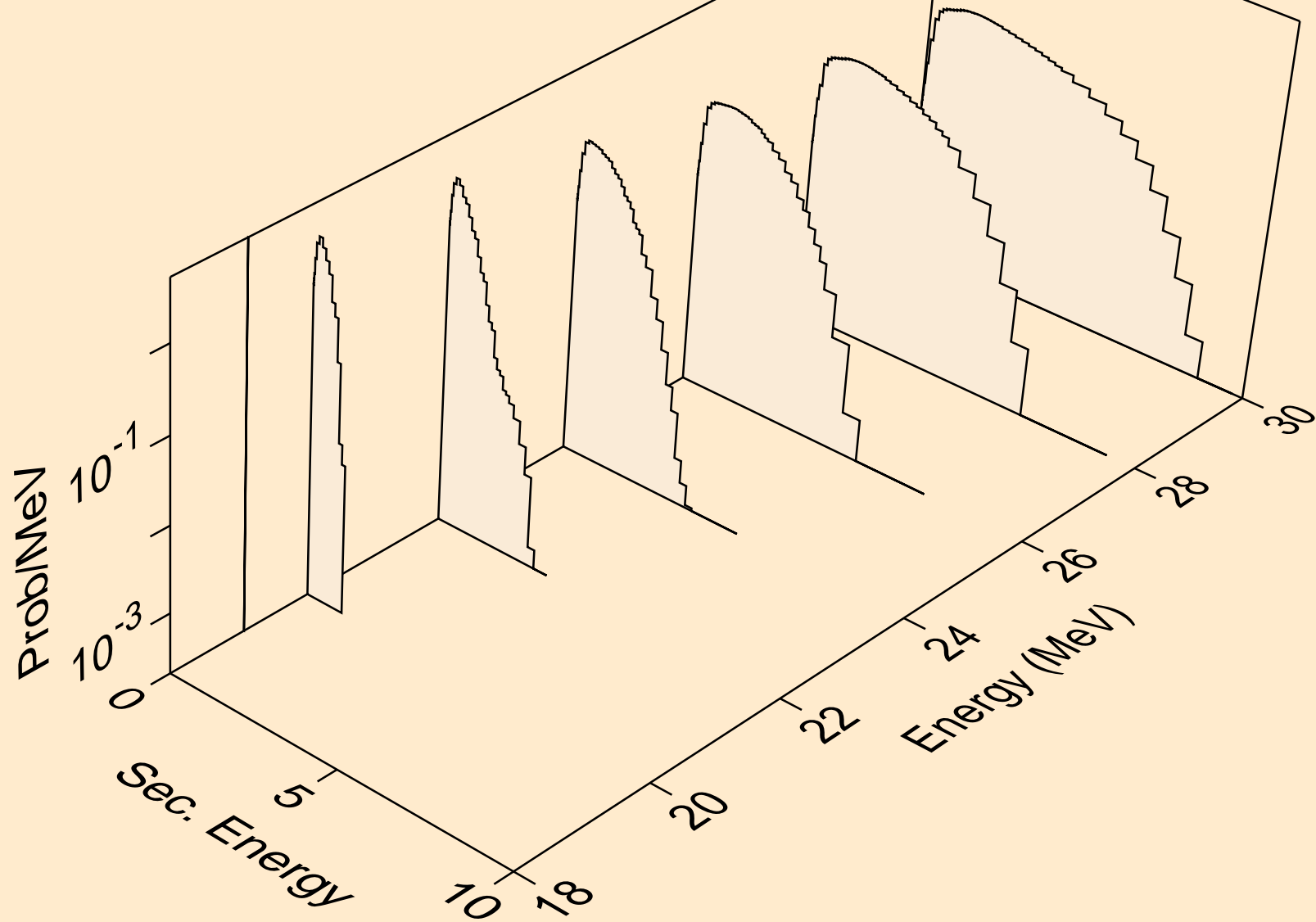
HS270 HELION ACER TENDL-2021 LIBRARY; T=0.K
neutrons from (s,x)



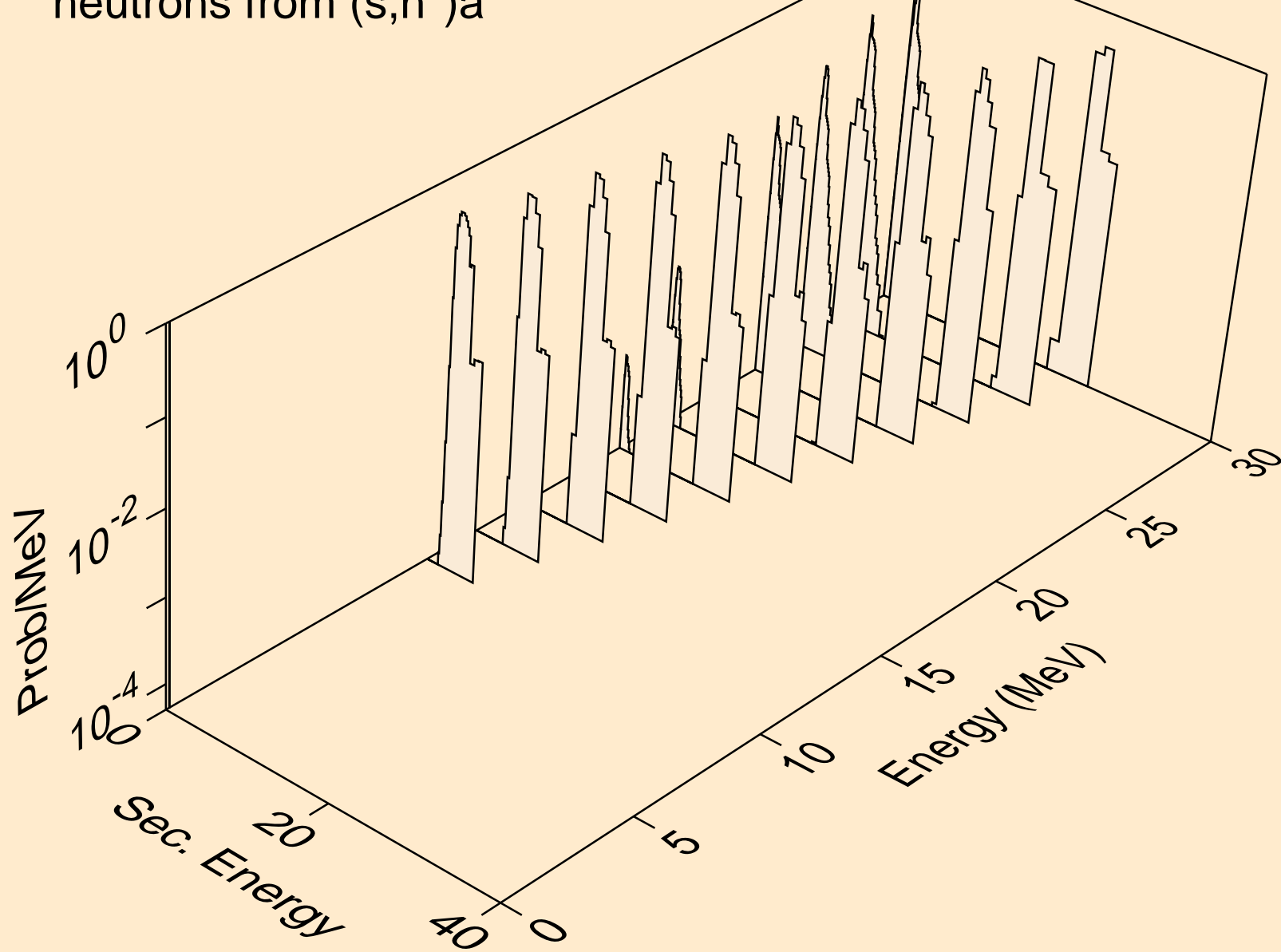
HS270 HELION ACER TENDL-2021 LIBRARY; T=0.K
neutrons from (s,2n)



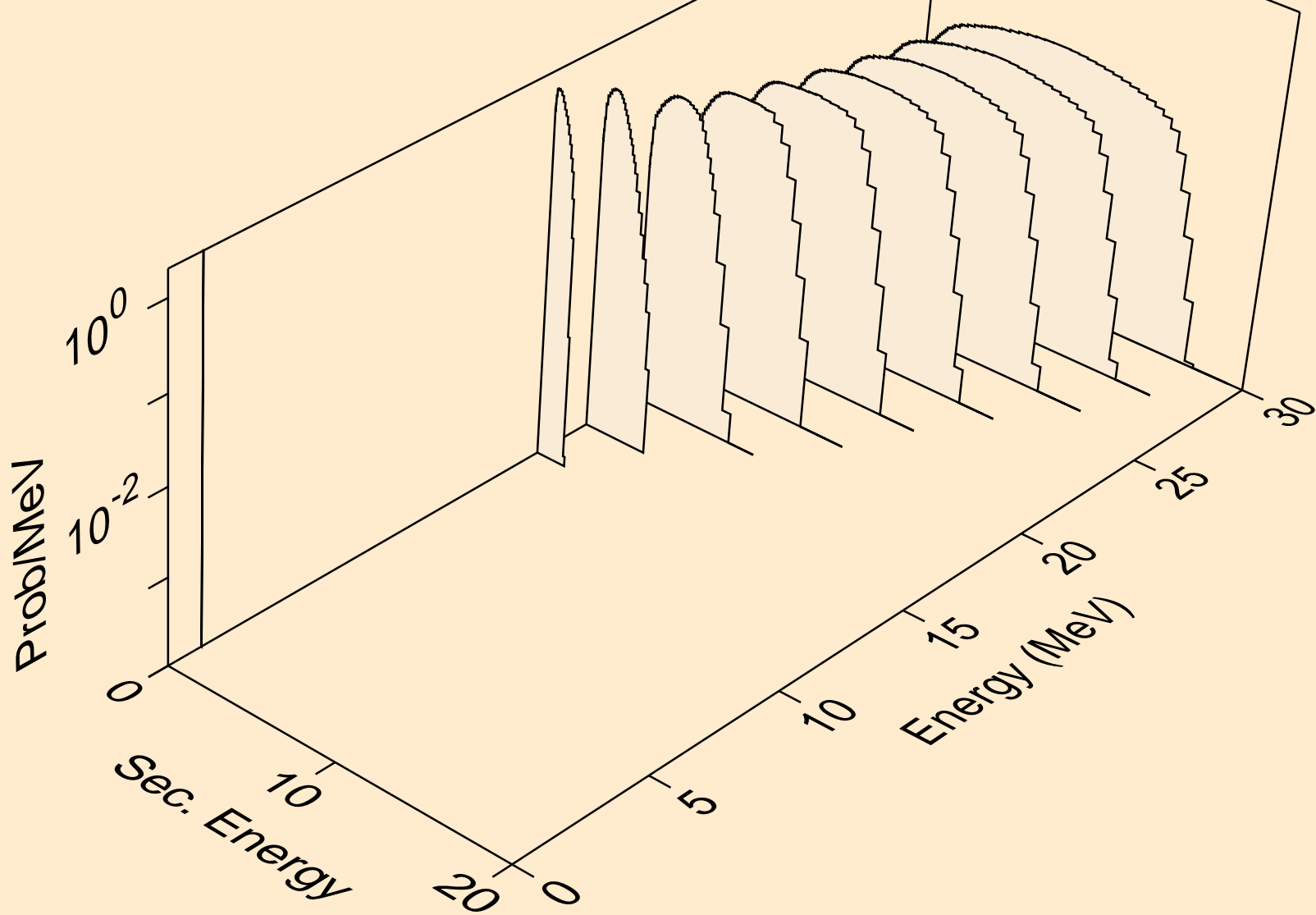
HS270 HELION ACER TENDL-2021 LIBRARY; T=0.K
neutrons from (s,3n)



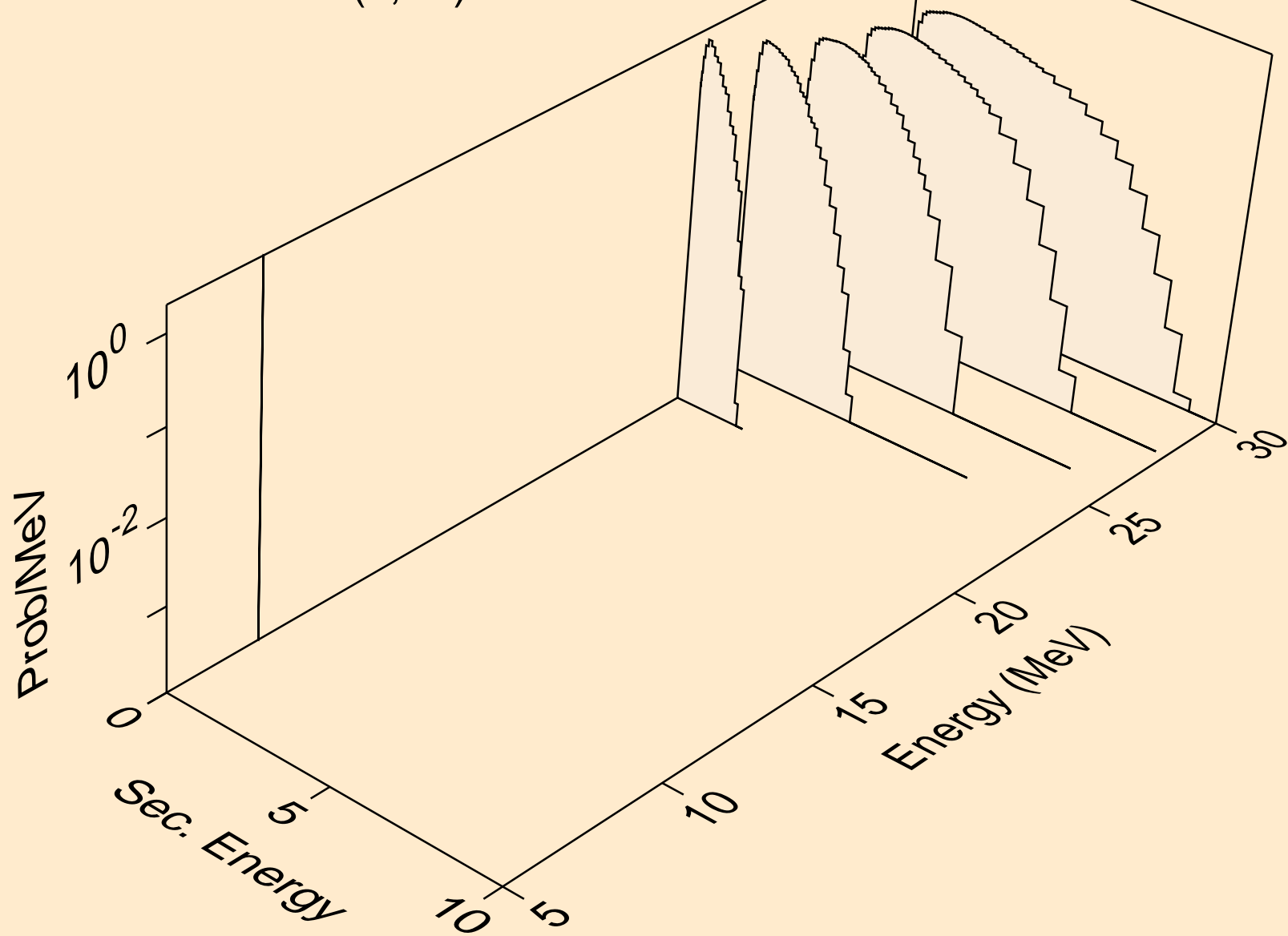
HS270 HELION ACER TENDL-2021 LIBRARY; T=0.K
neutrons from (s,n*)a



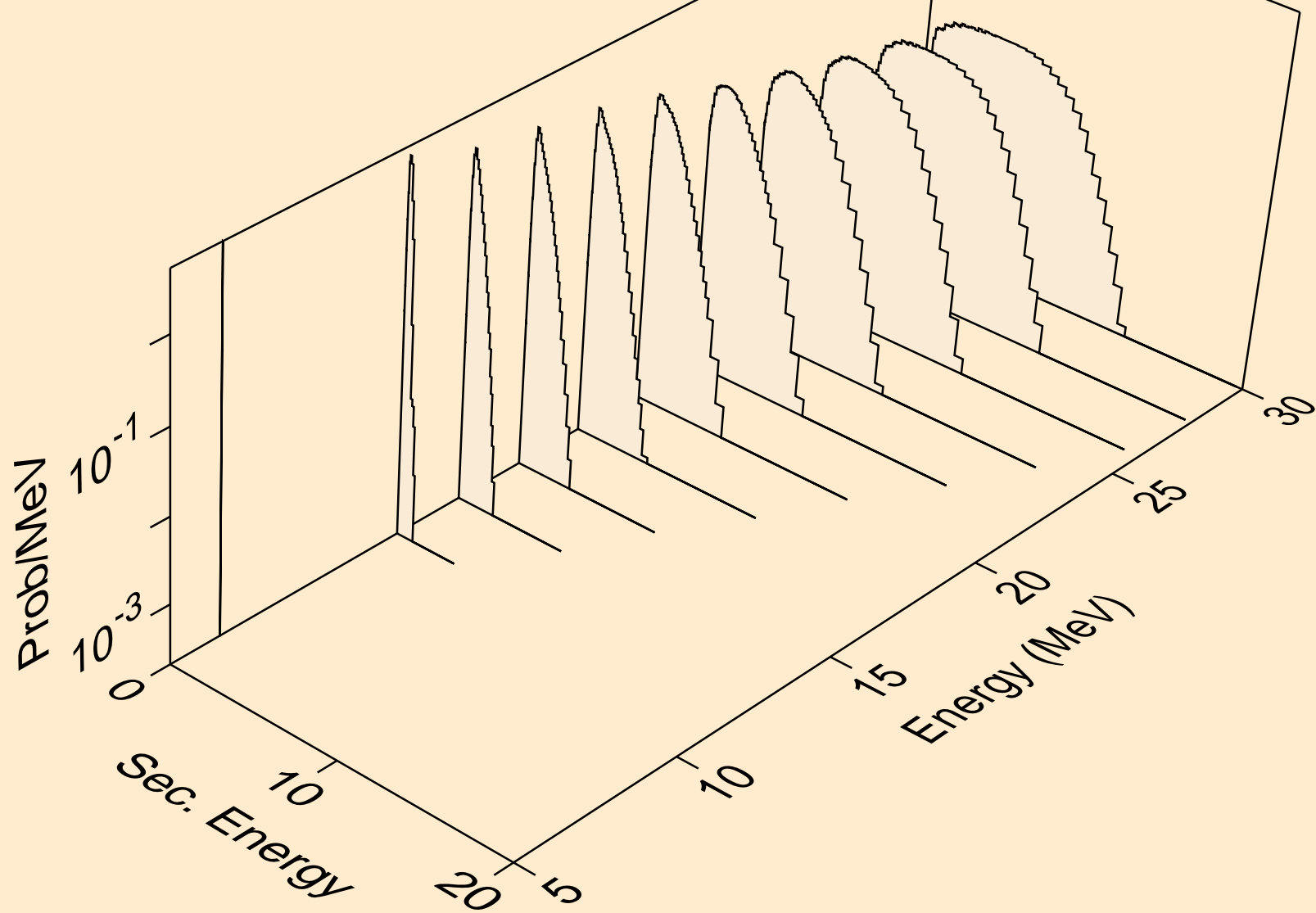
HS270 HELION ACER TENDL-2021 LIBRARY; T=0.K
neutrons from (s,2n)a



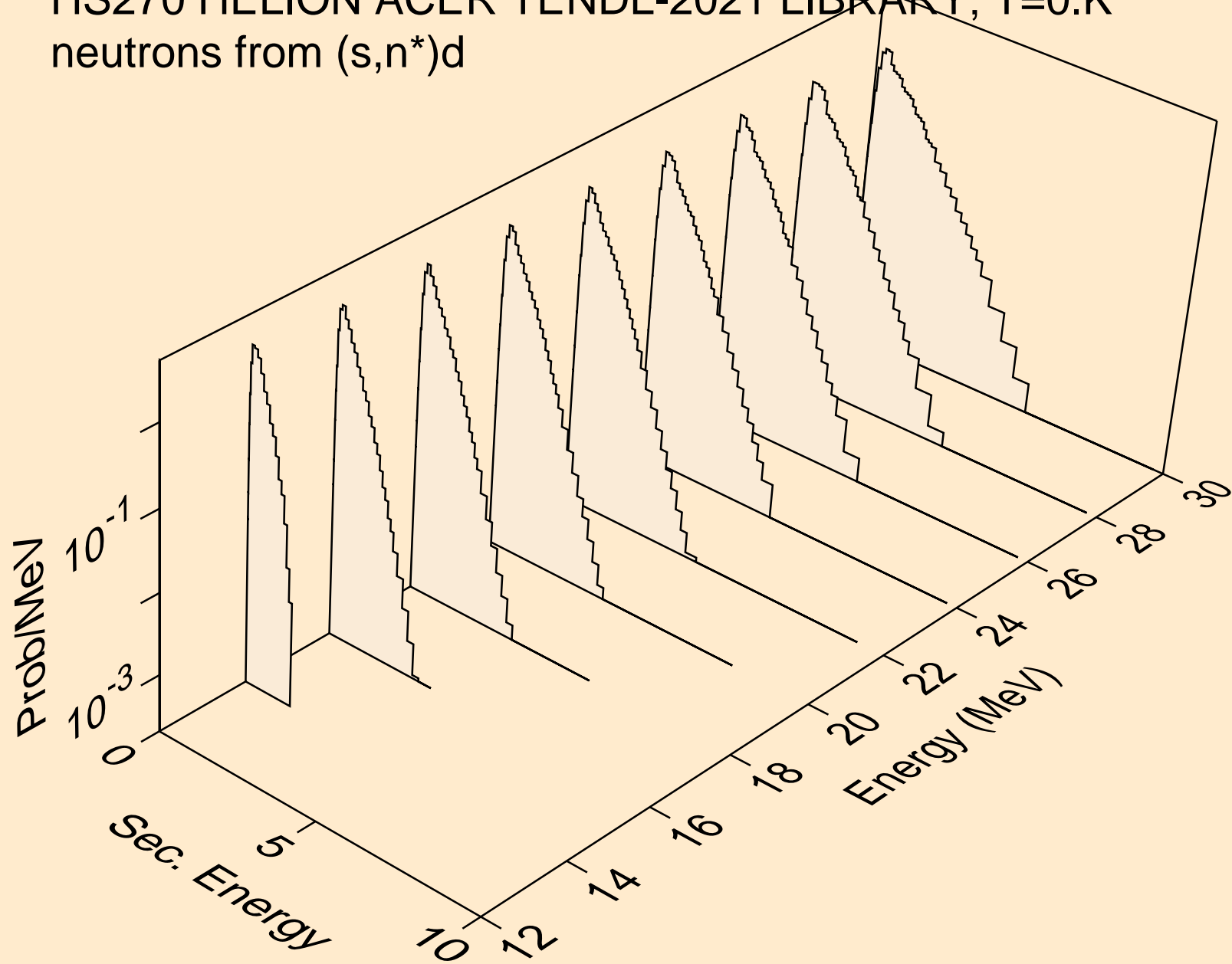
HS270 HELION ACER TENDL-2021 LIBRARY; T=0.K
neutrons from (s,3n)a



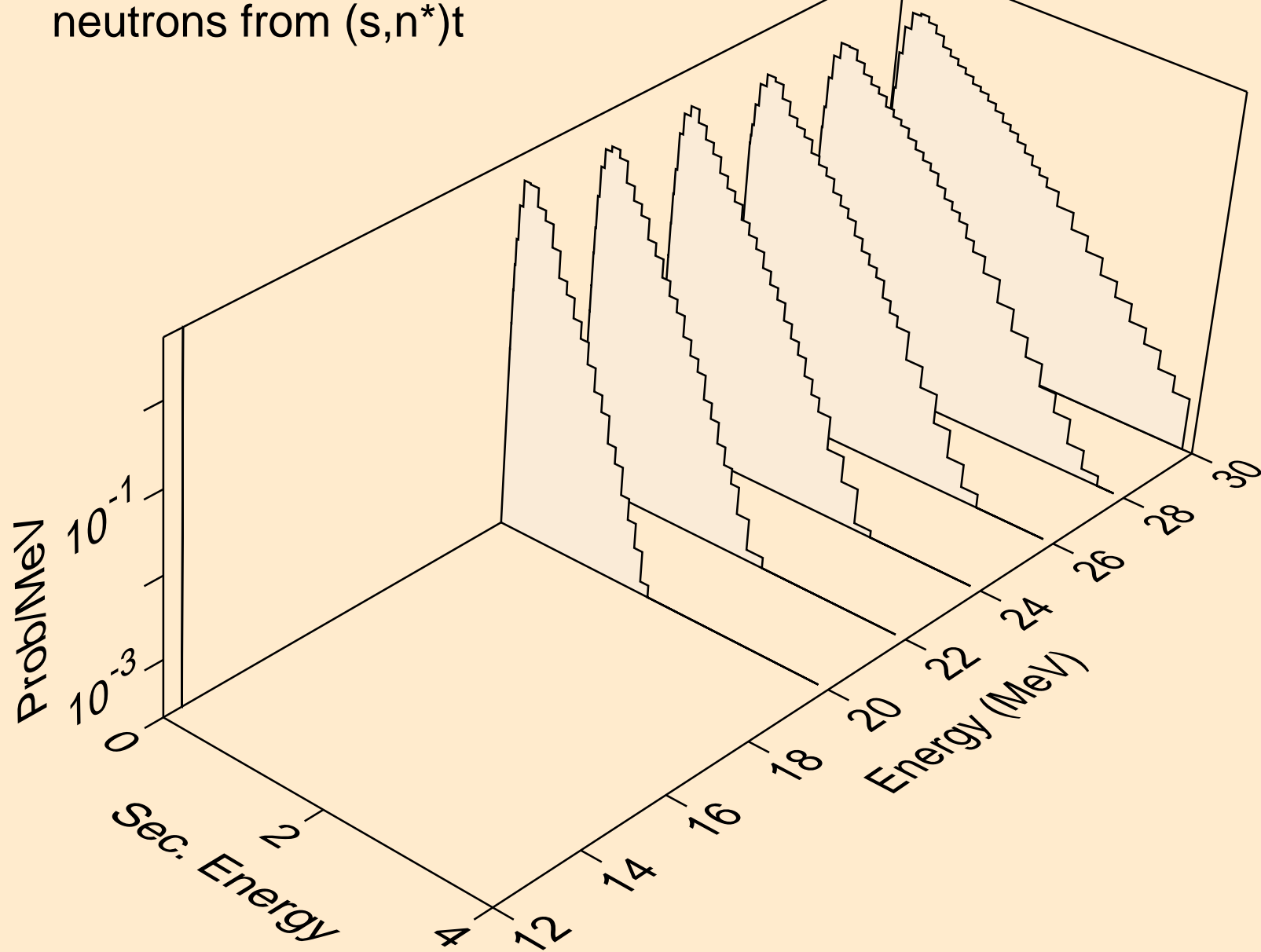
HS270 HELION ACER TENDL-2021 LIBRARY; T=0.K
neutrons from (s,n*)p



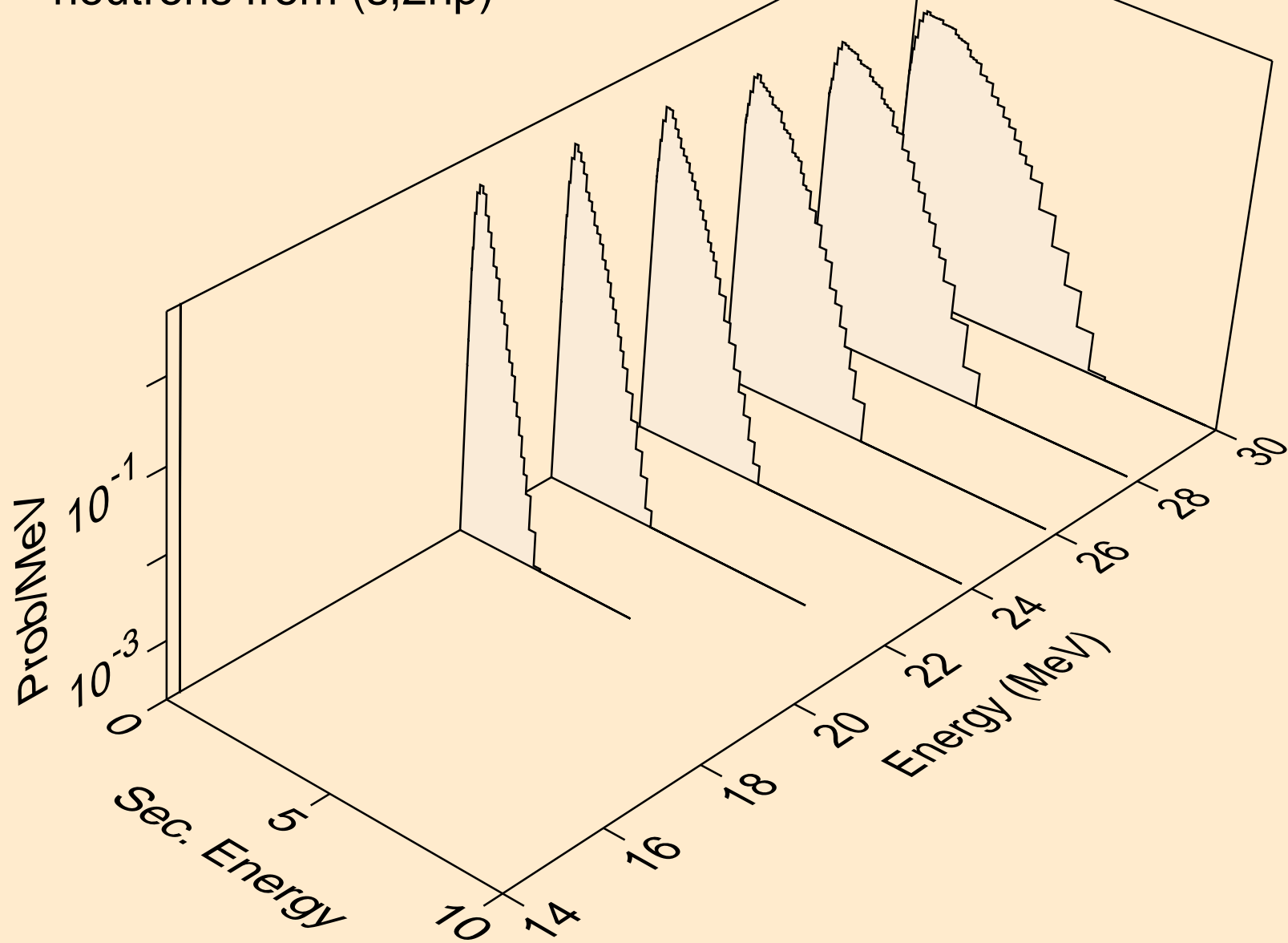
HS270 HELION ACER TENDL-2021 LIBRARY; T=0.K
neutrons from (s,n*)d



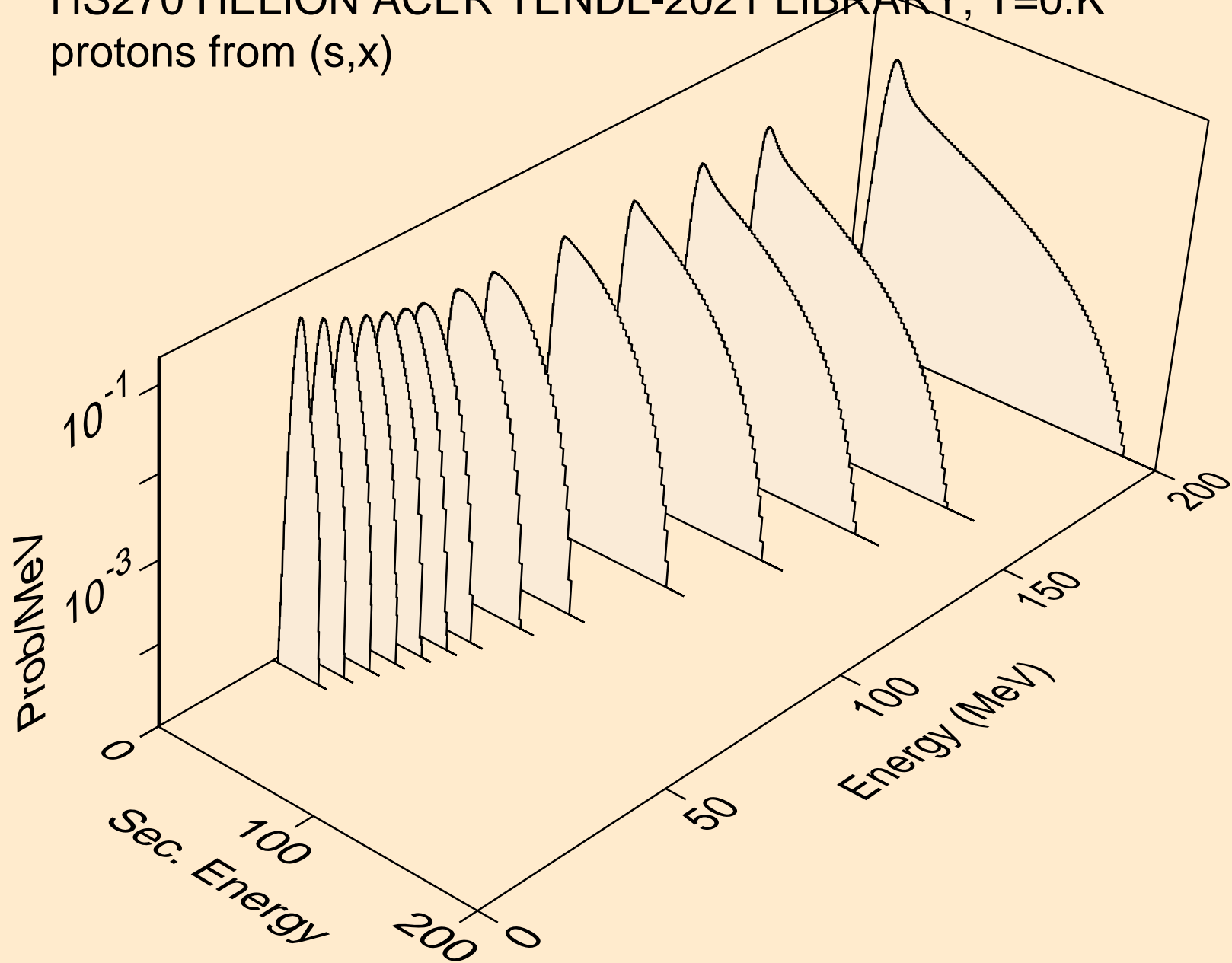
HS270 HELION ACER TENDL-2021 LIBRARY; T=0.K
neutrons from (s,n*)t



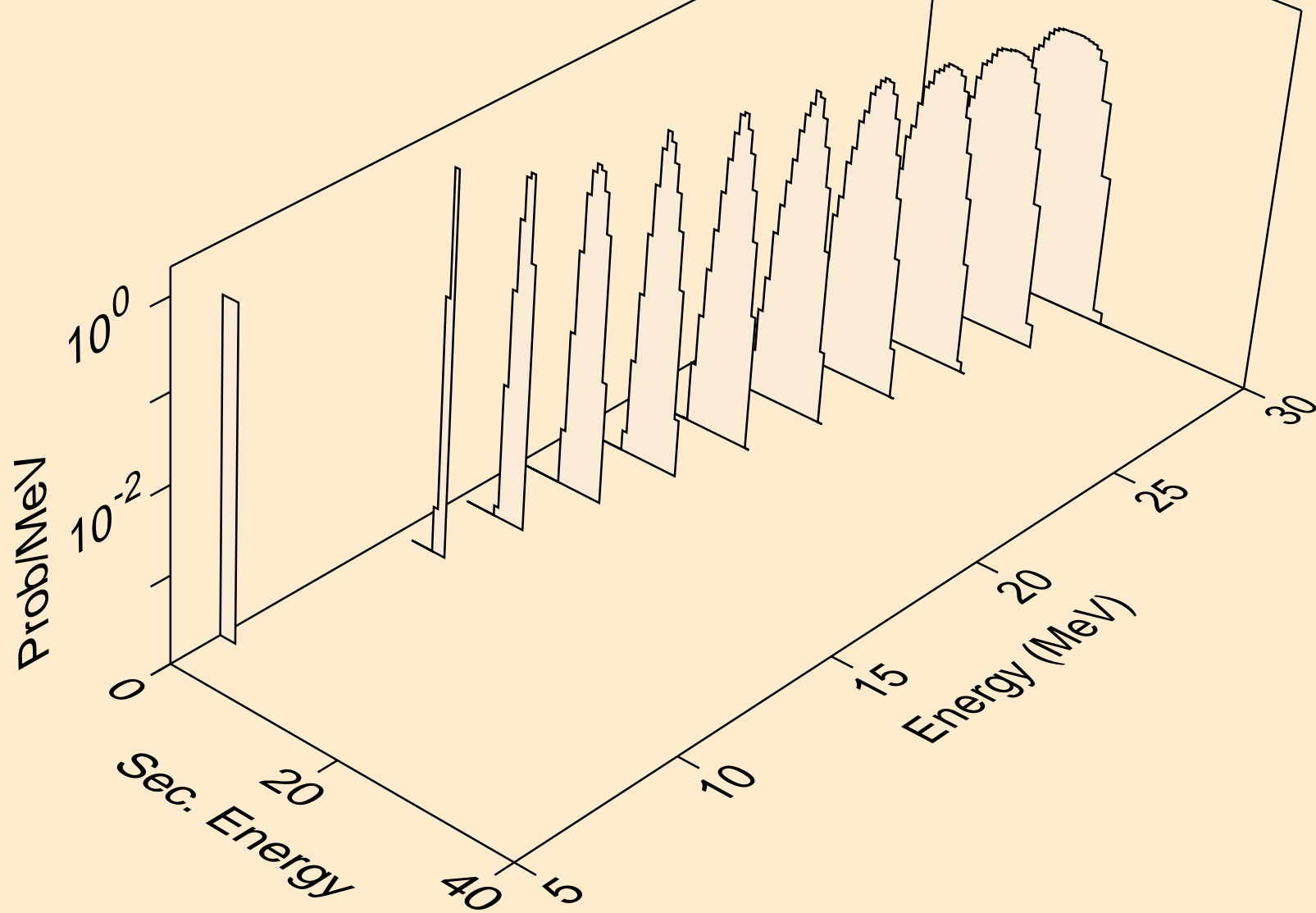
HS270 HELION ACER TENDL-2021 LIBRARY; T=0.K
neutrons from (s,2np)



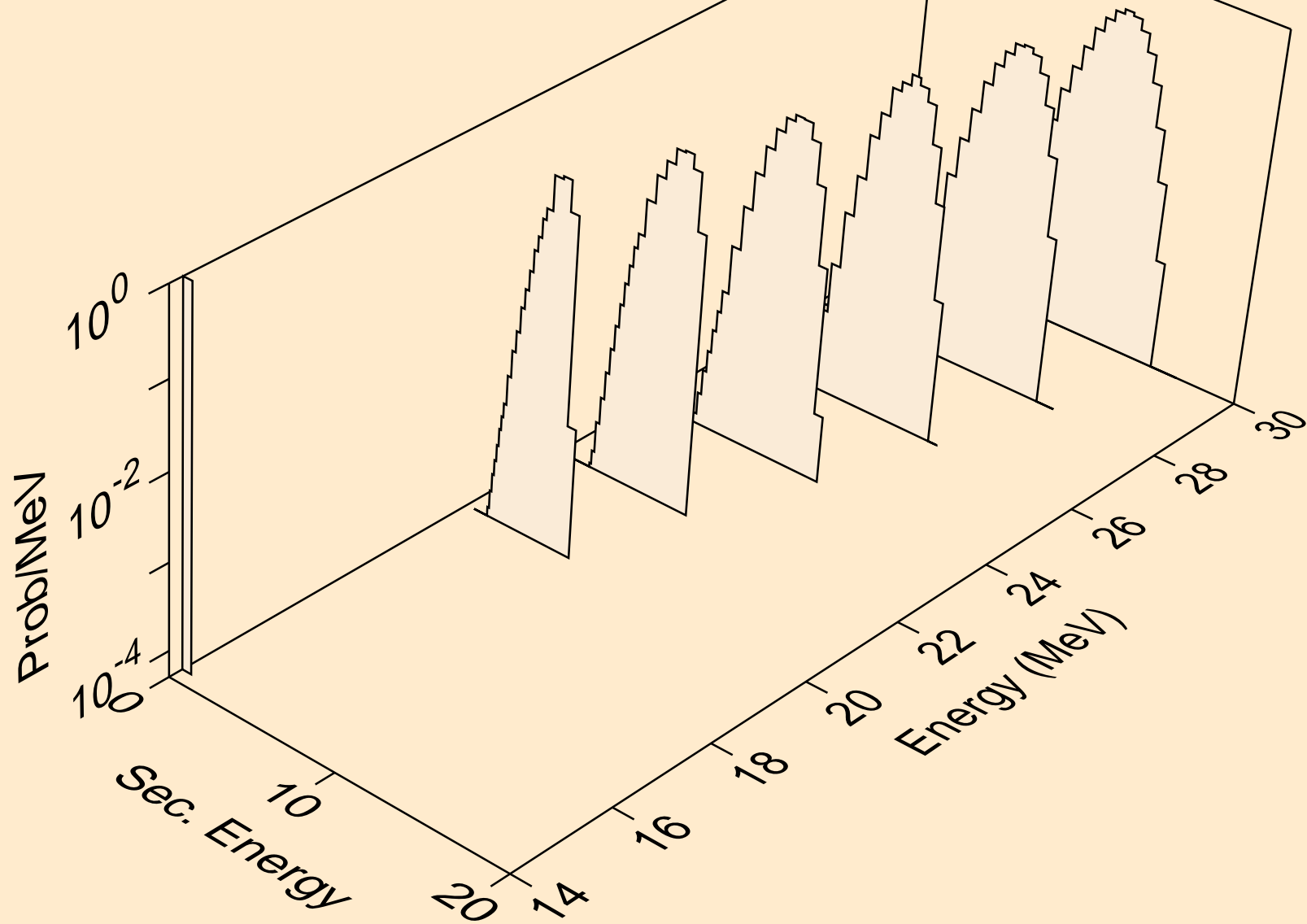
HS270 HELION ACER TENDL-2021 LIBRARY; T=0.K
protons from (s,x)



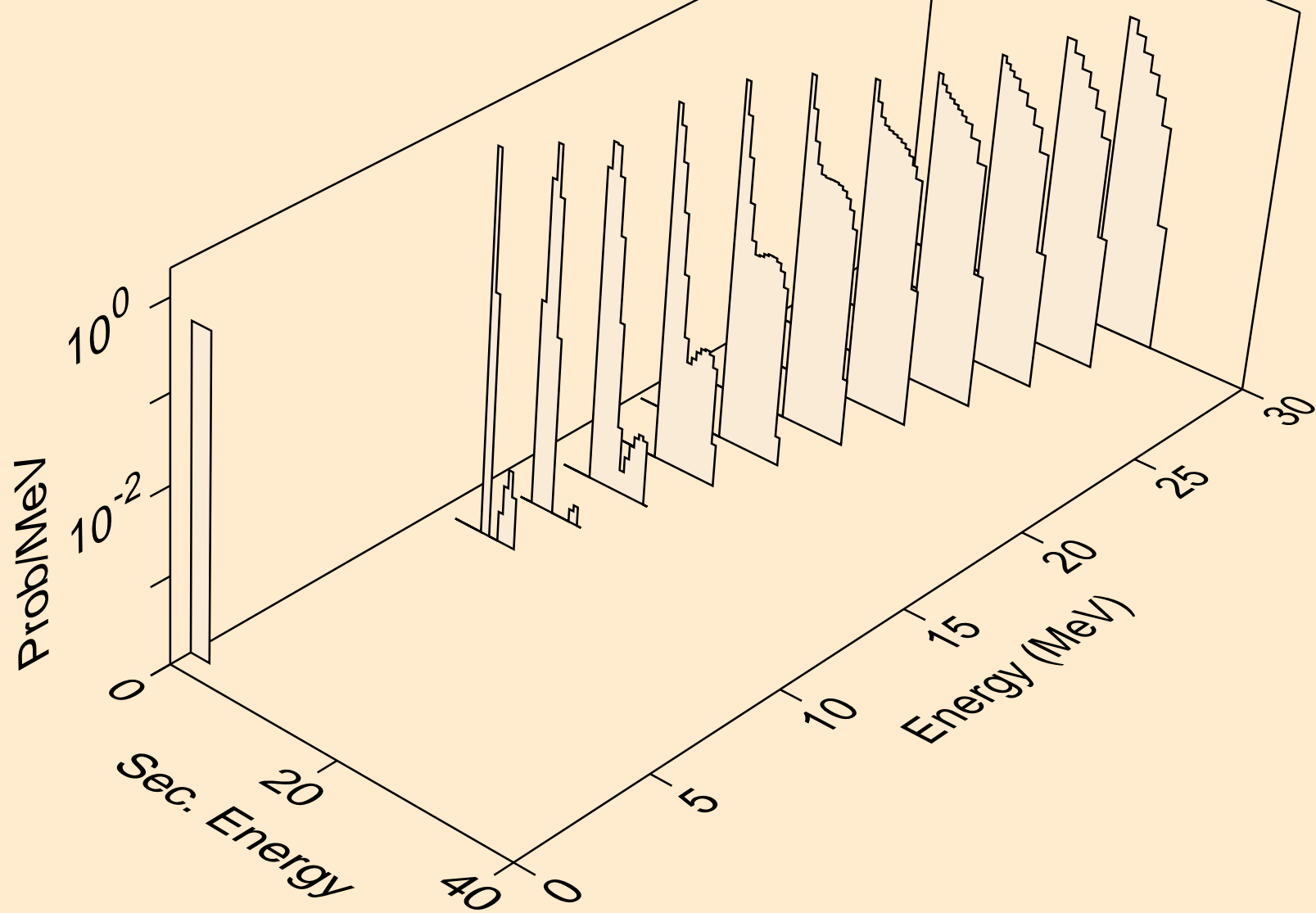
HS270 HELION ACER TENDL-2021 LIBRARY; T=0.K
protons from (s,n*)p



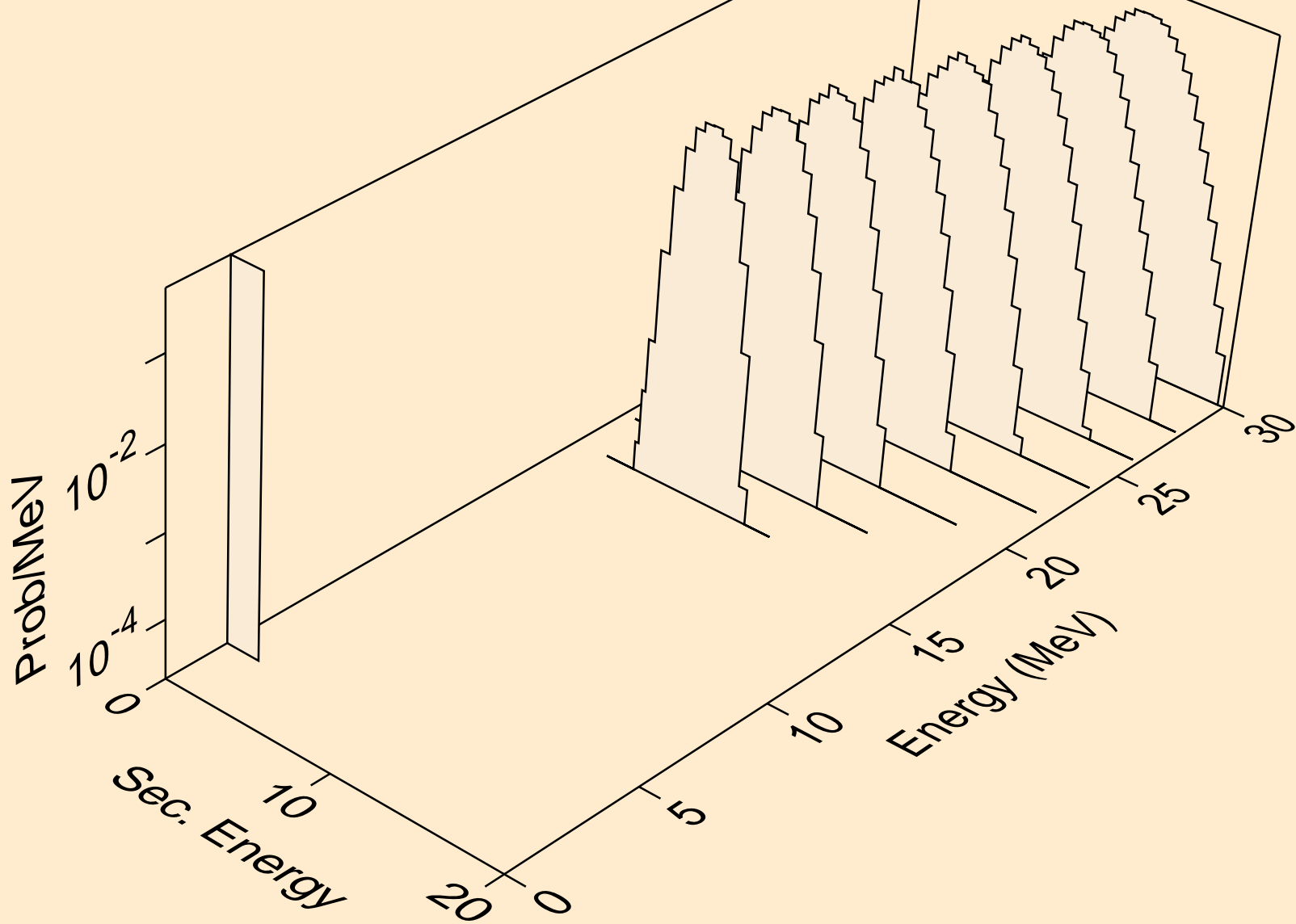
HS270 HELION ACER TENDL-2021 LIBRARY; T=0.K
protons from (s,2np)



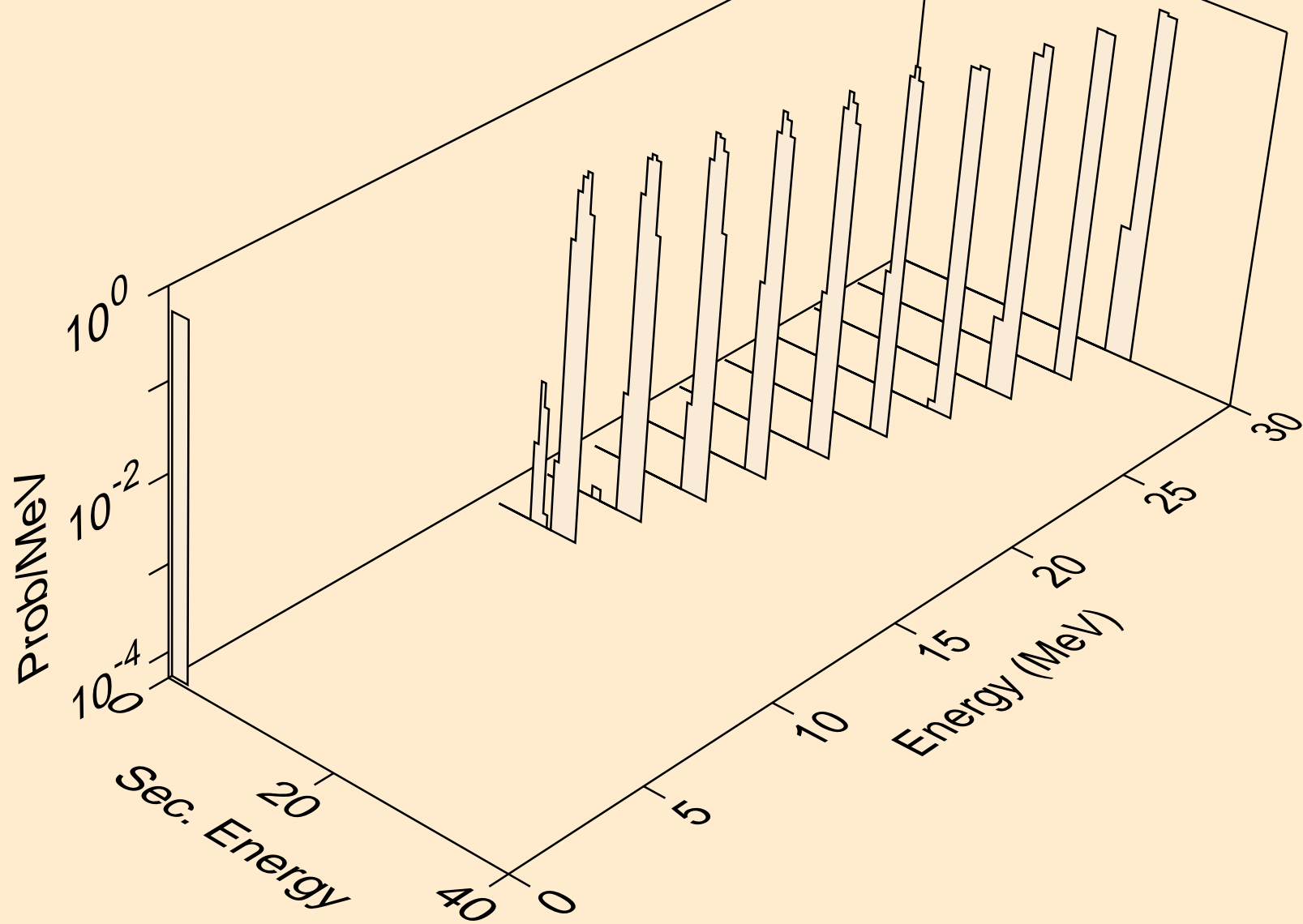
HS270 HELION ACER TENDL-2021 LIBRARY; T=0.K
protons from (s,p)



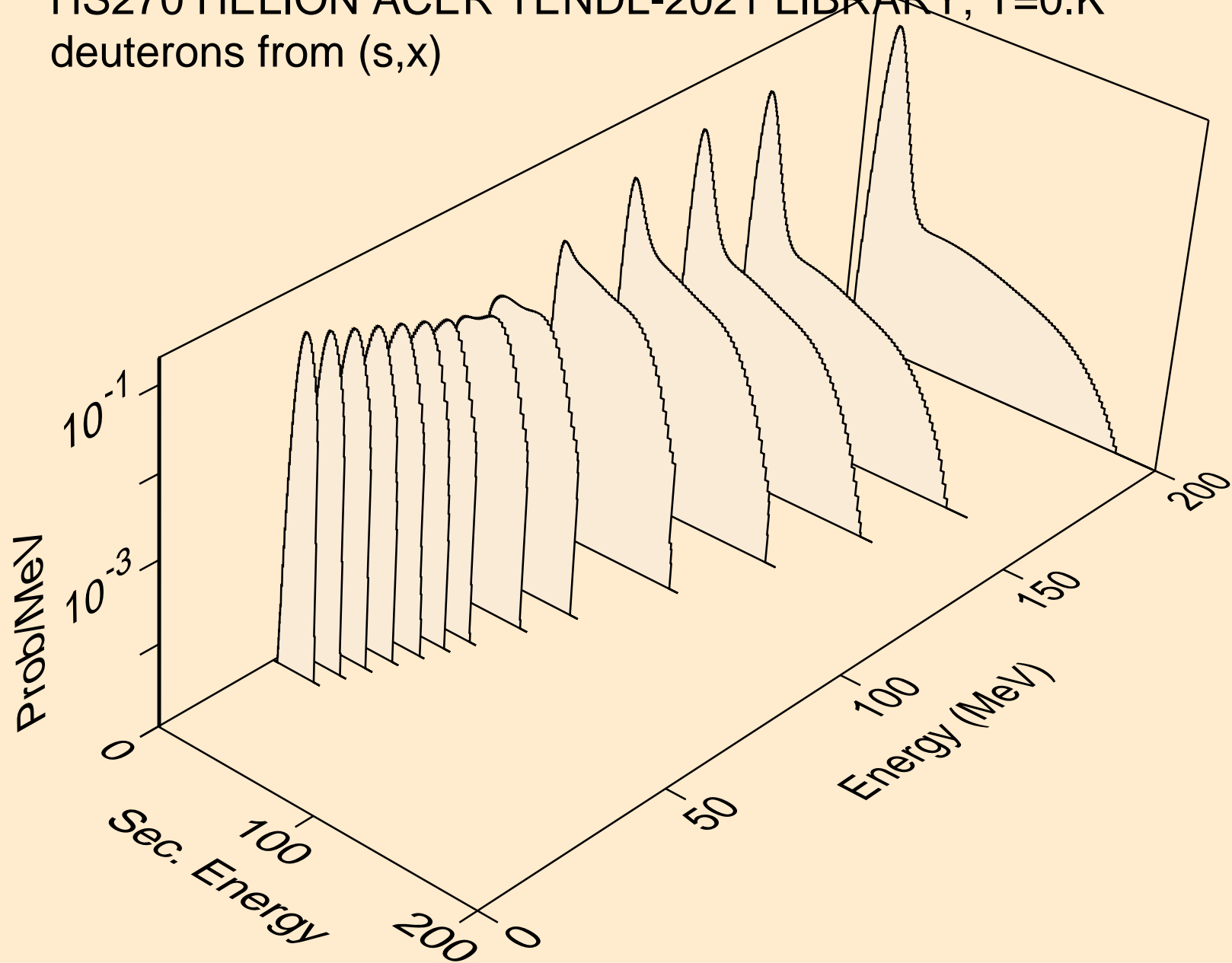
HS270 HELION ACER TENDL-2021 LIBRARY; T=0.K
protons from (s,2p)



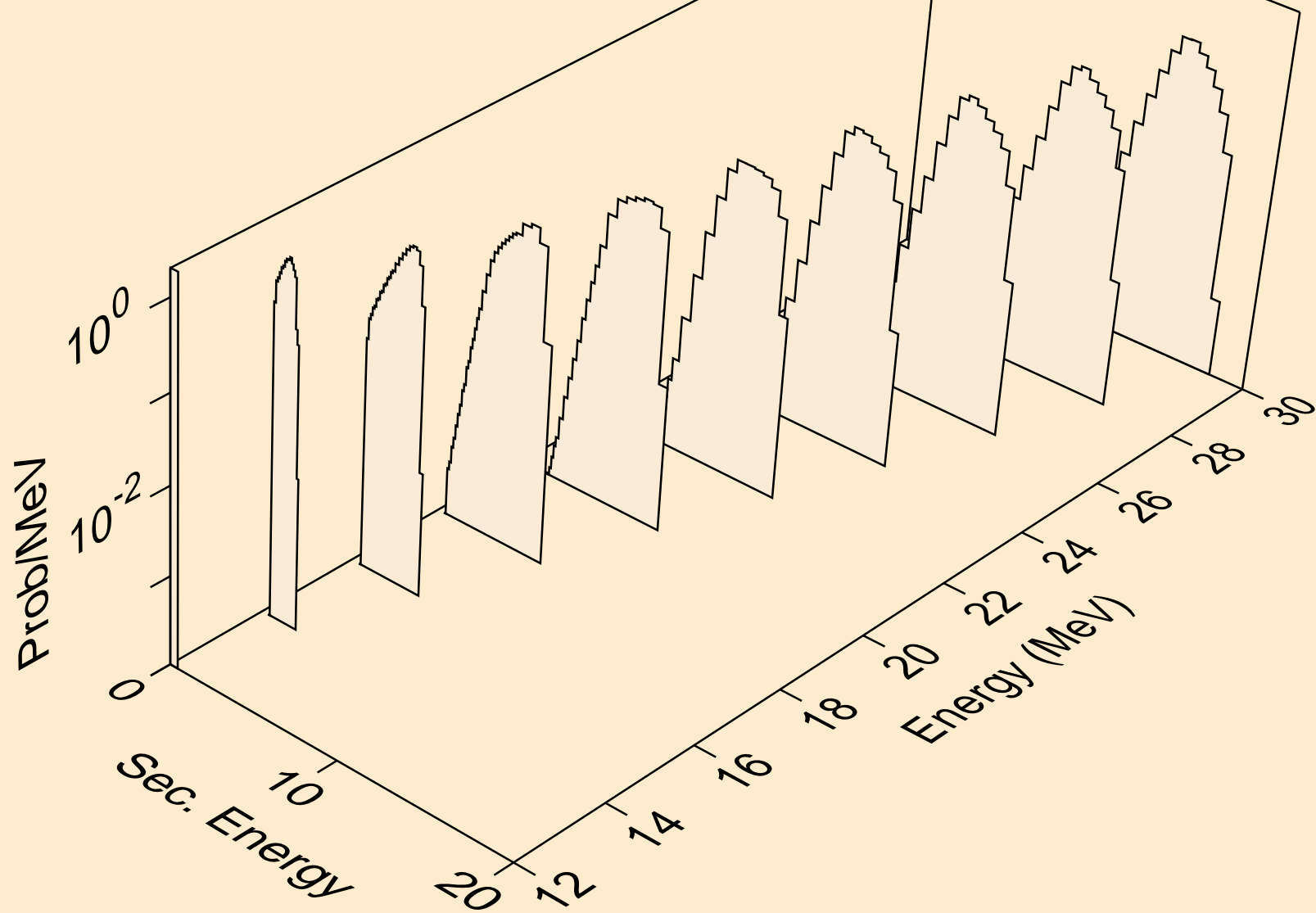
HS270 HELION ACER TENDL-2021 LIBRARY; T=0.K
protons from (s,pa)



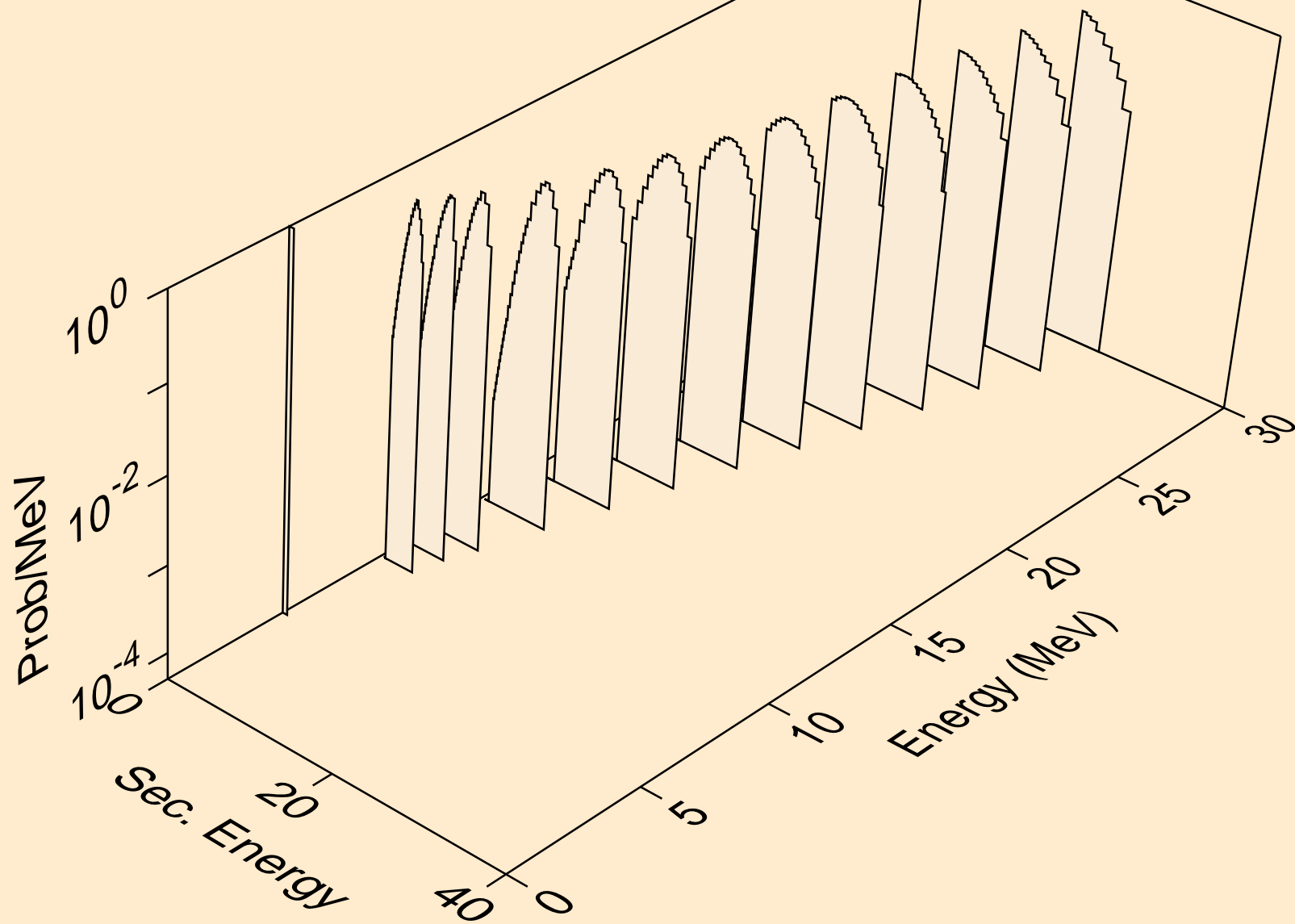
HS270 HELION ACER TENDL-2021 LIBRARY; T=0.K
deuterons from (s,x)



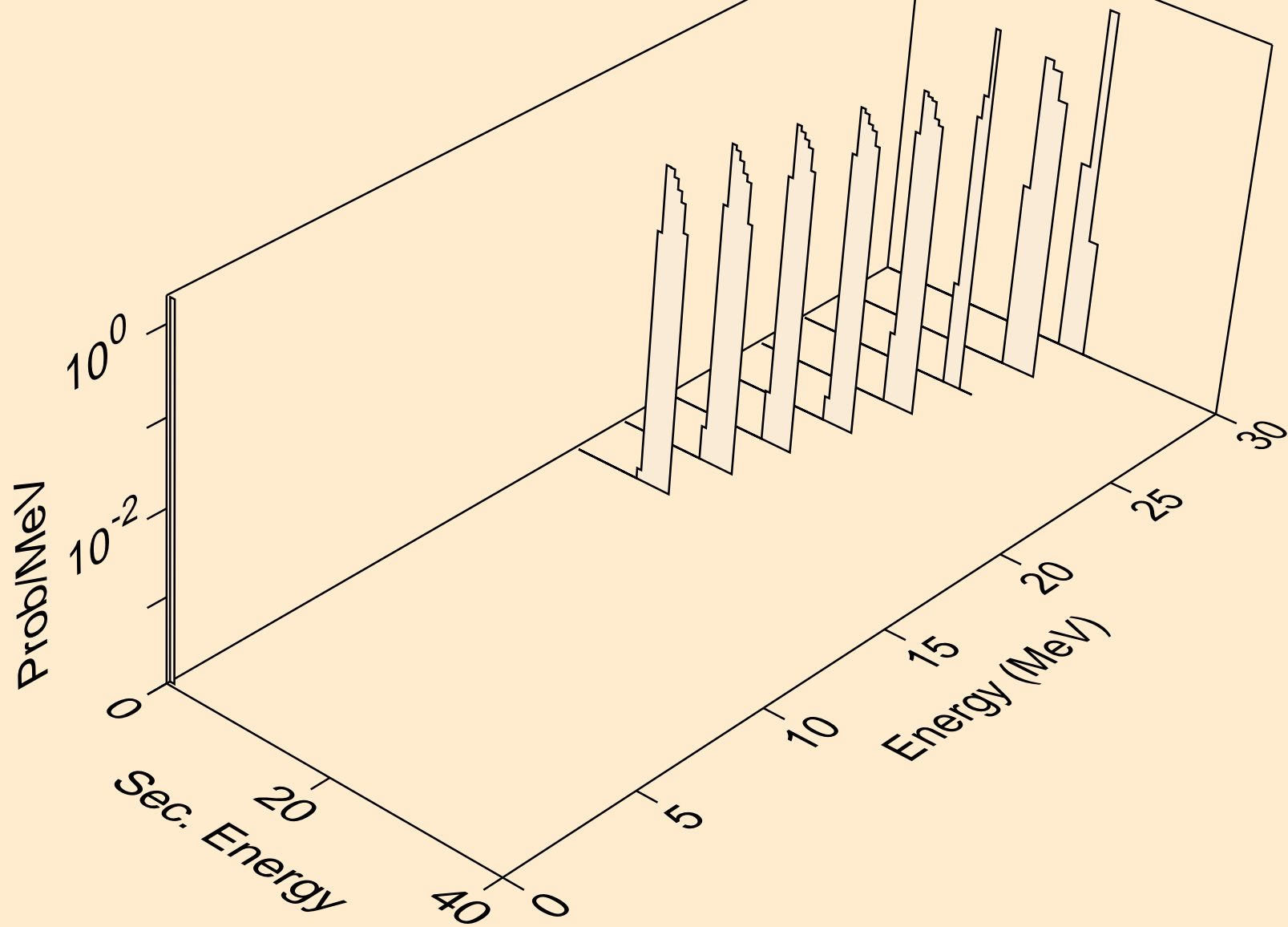
HS270 HELION ACER TENDL-2021 LIBRARY; T=0.K
deuterons from (s,n*)d



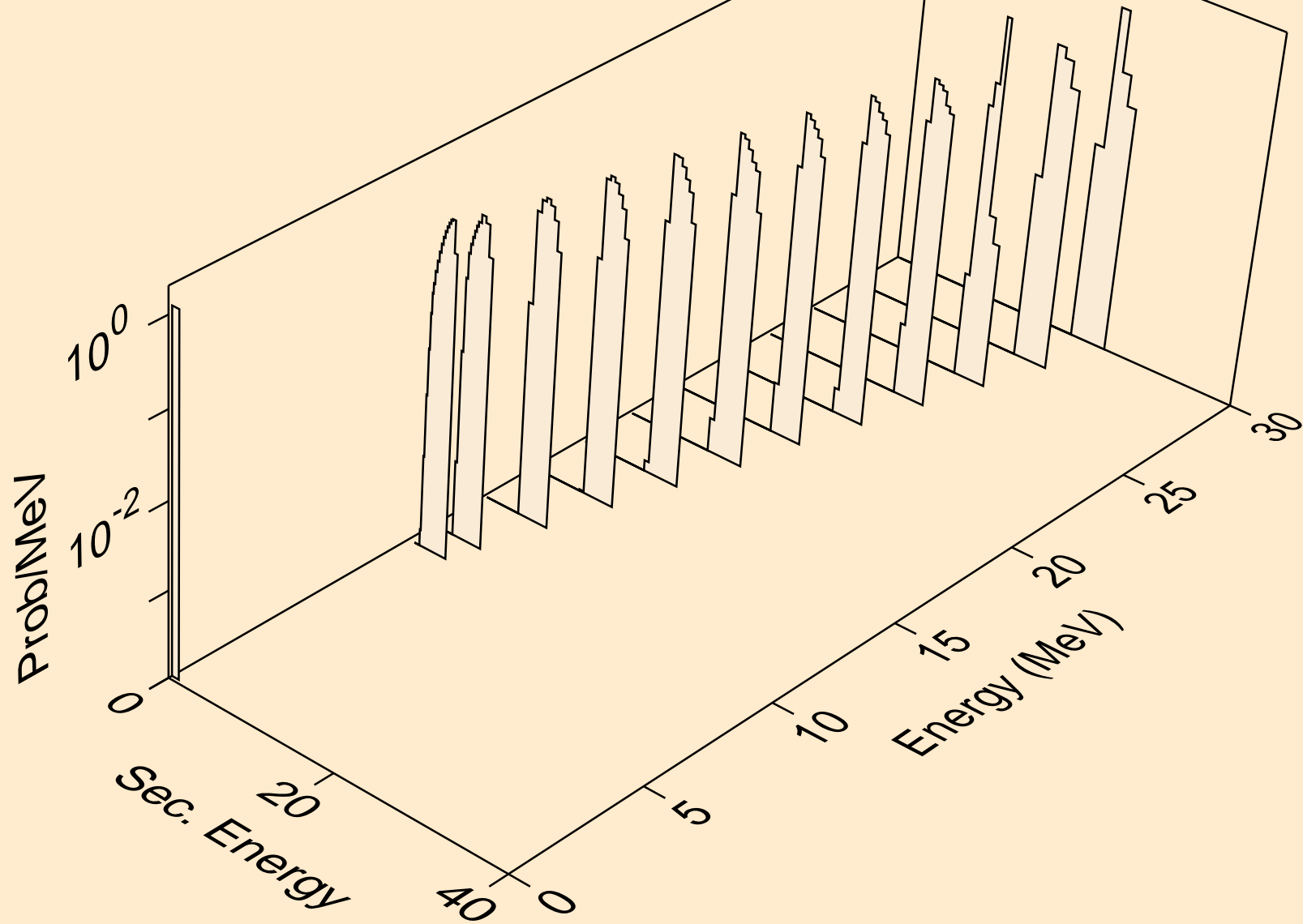
HS270 HELION ACER TENDL-2021 LIBRARY; T=0.K
deuterons from (s,d)



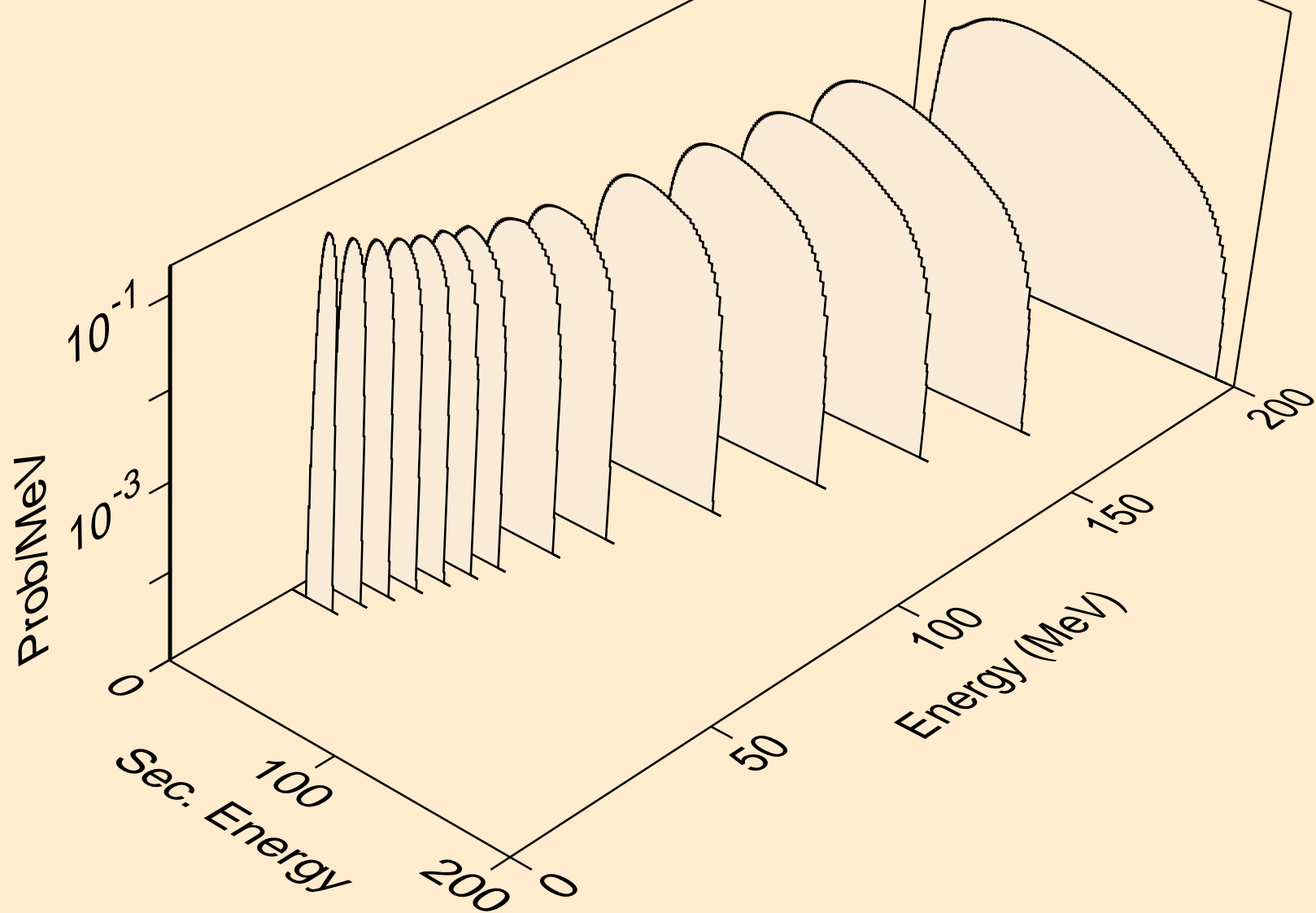
HS270 HELION ACER TENDL-2021 LIBRARY; T=0.K
deuterons from (s,d2a)



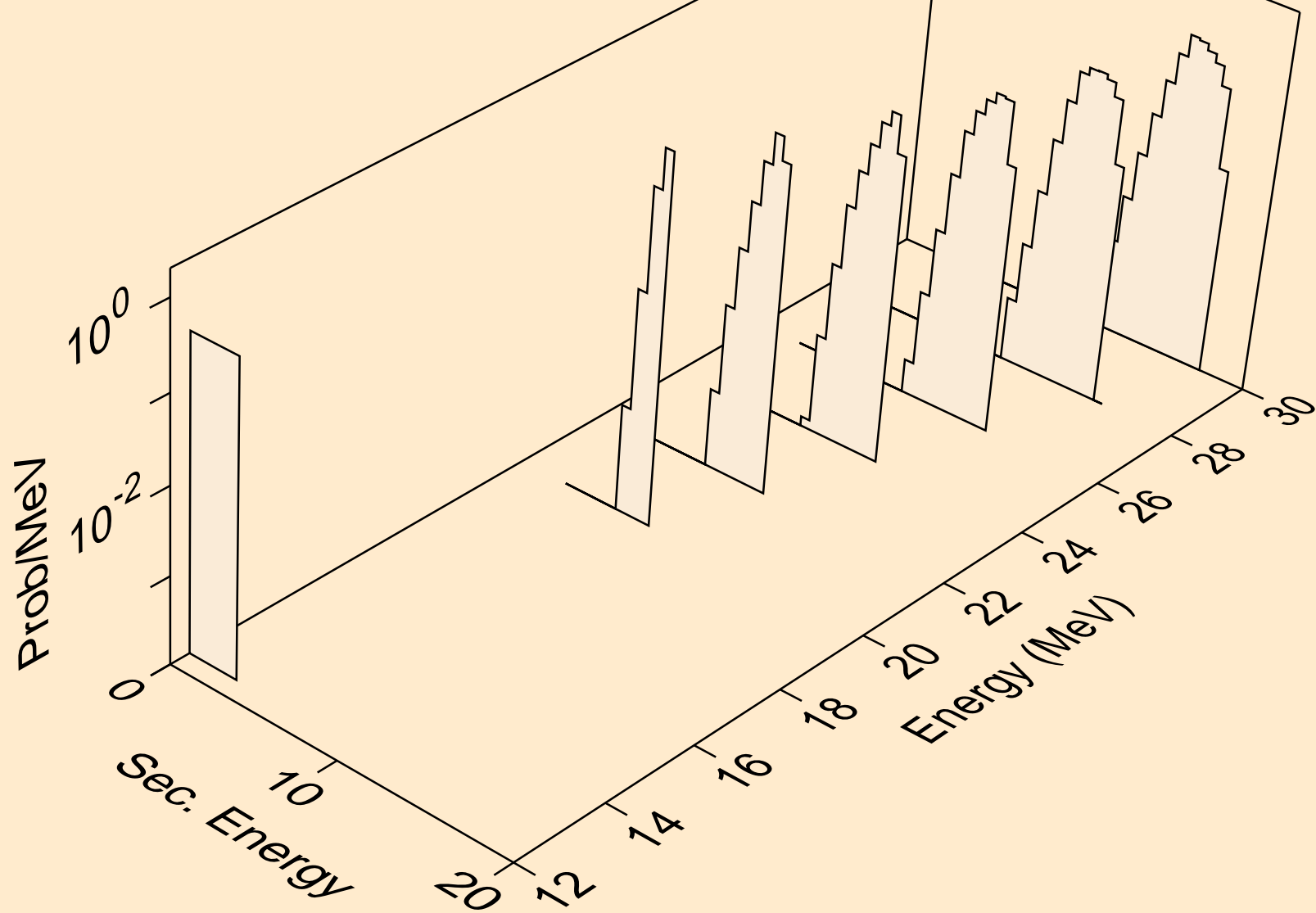
HS270 HELION ACER TENDL-2021 LIBRARY; T=0.K
deuterons from (s,da)



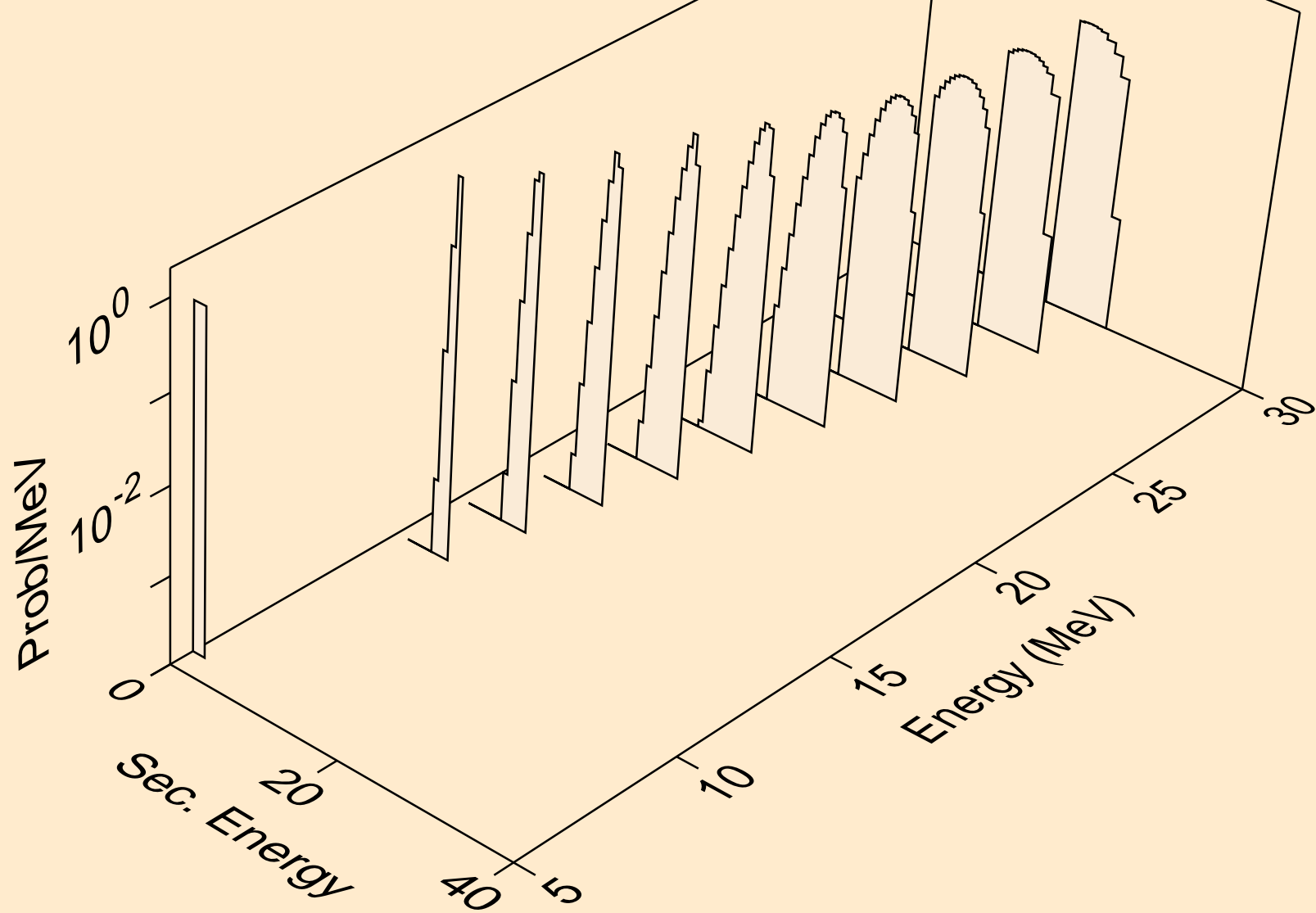
HS270 HELION ACER TENDL-2021 LIBRARY; T=0.K
tritons from (s,x)



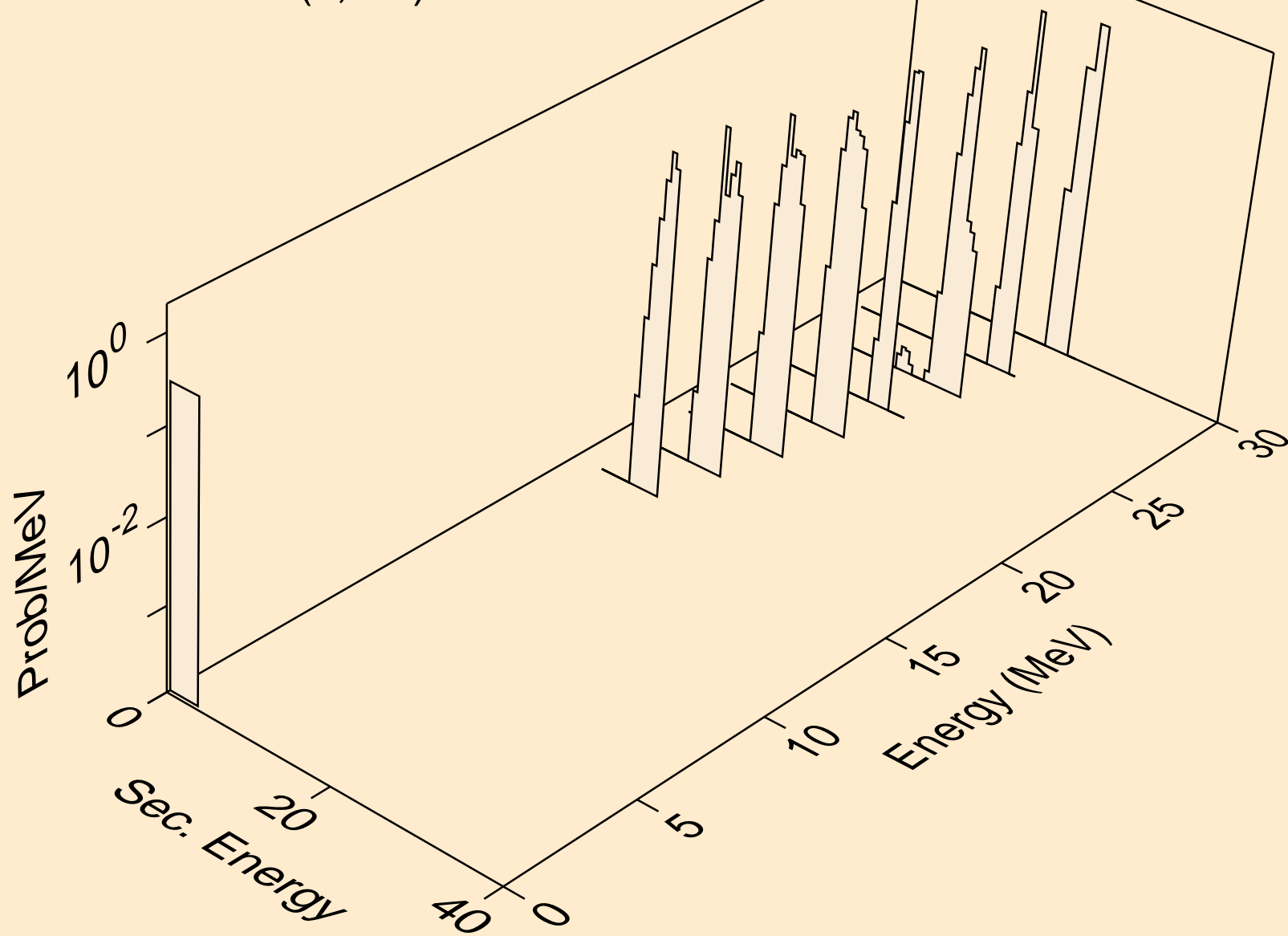
HS270 HELION ACER TENDL-2021 LIBRARY; T=0.K
tritons from (s,n*)t



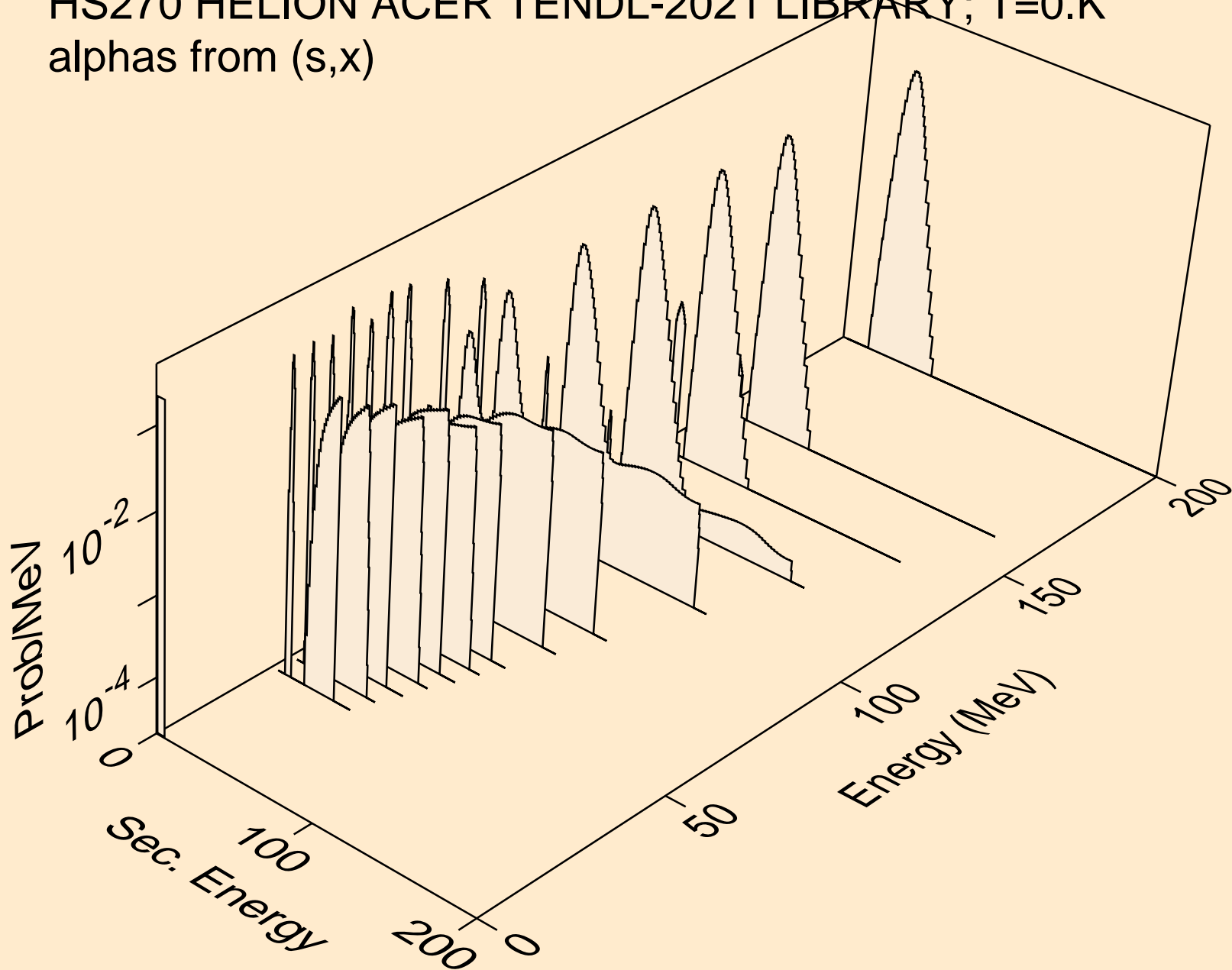
HS270 HELION ACER TENDL-2021 LIBRARY; T=0.K
tritons from (s,t)



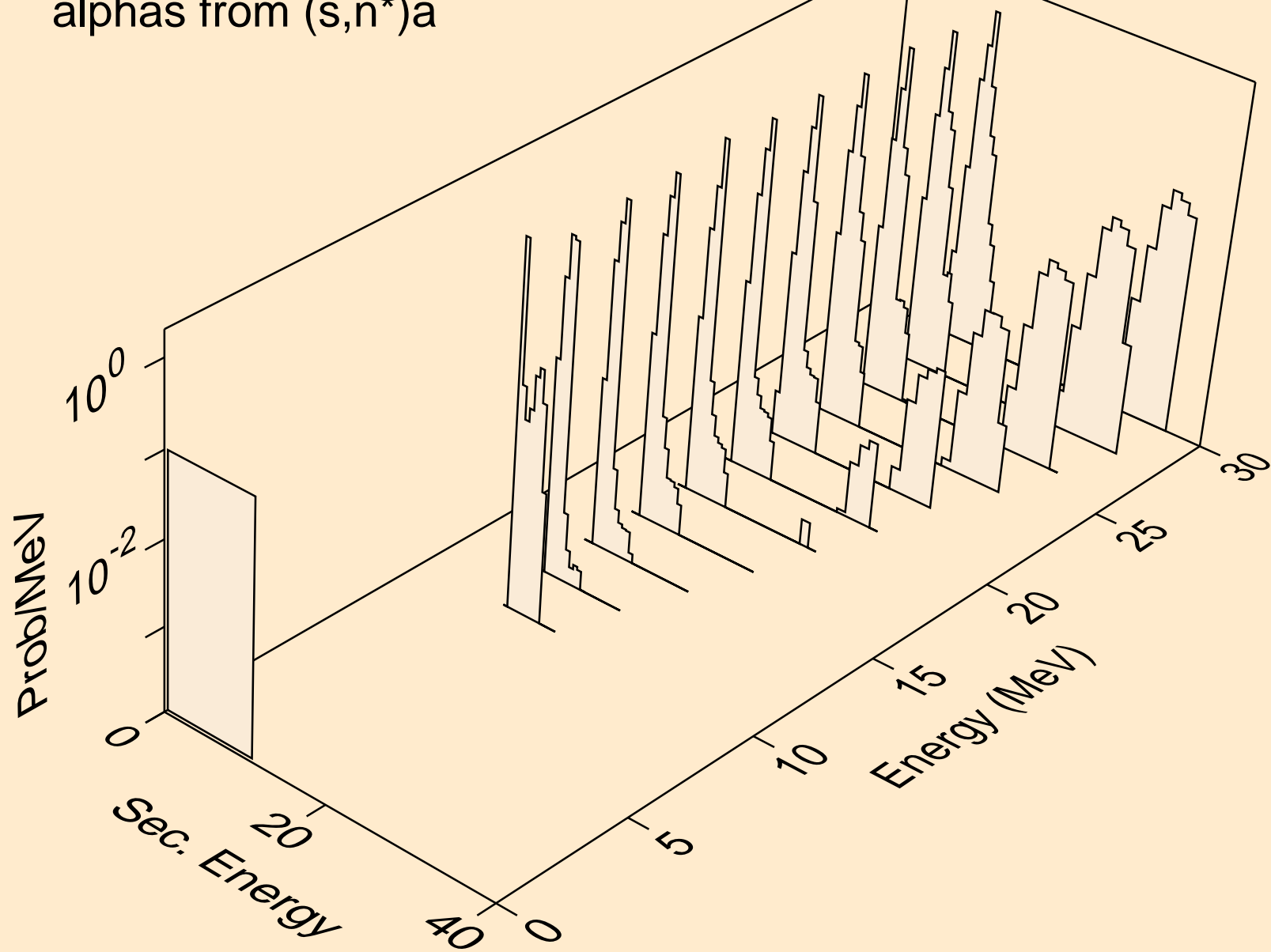
HS270 HELION ACER TENDL-2021 LIBRARY; T=0.K
tritons from (s,t2a)



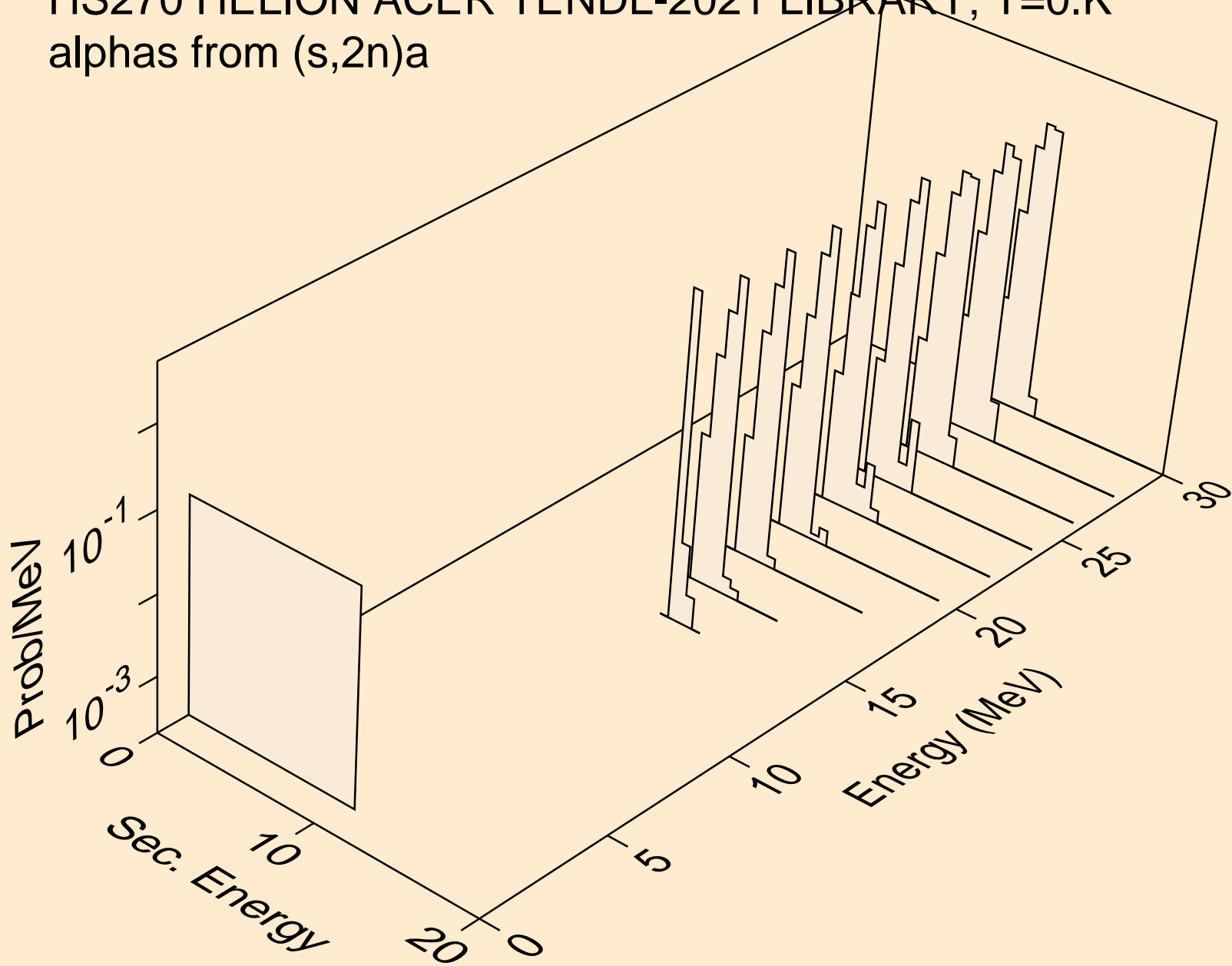
HS270 HELION ACER TENDL-2021 LIBRARY; T=0.K
alphas from (s,x)



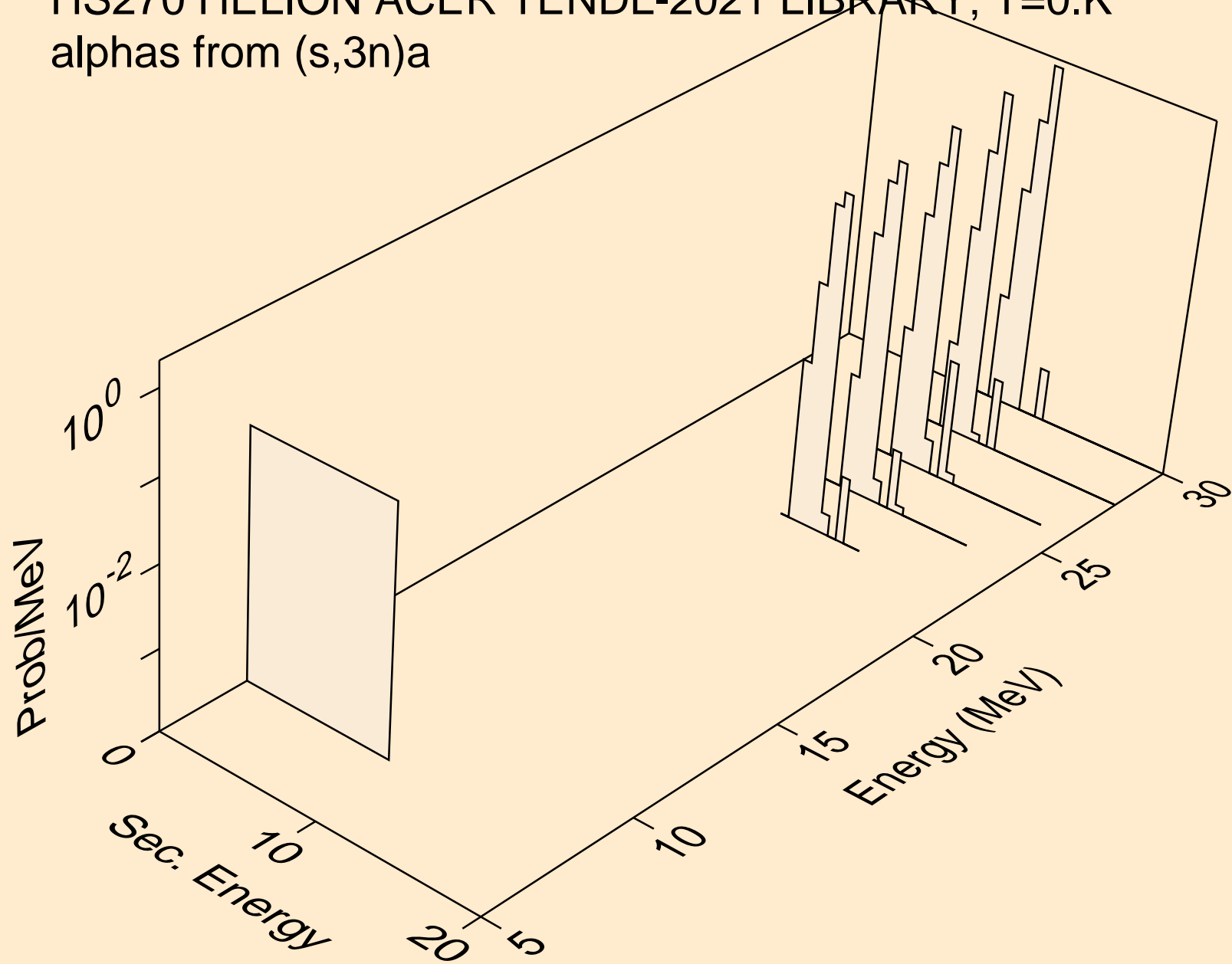
HS270 HELION ACER TENDL-2021 LIBRARY; T=0.K
alphas from (s,n*)a



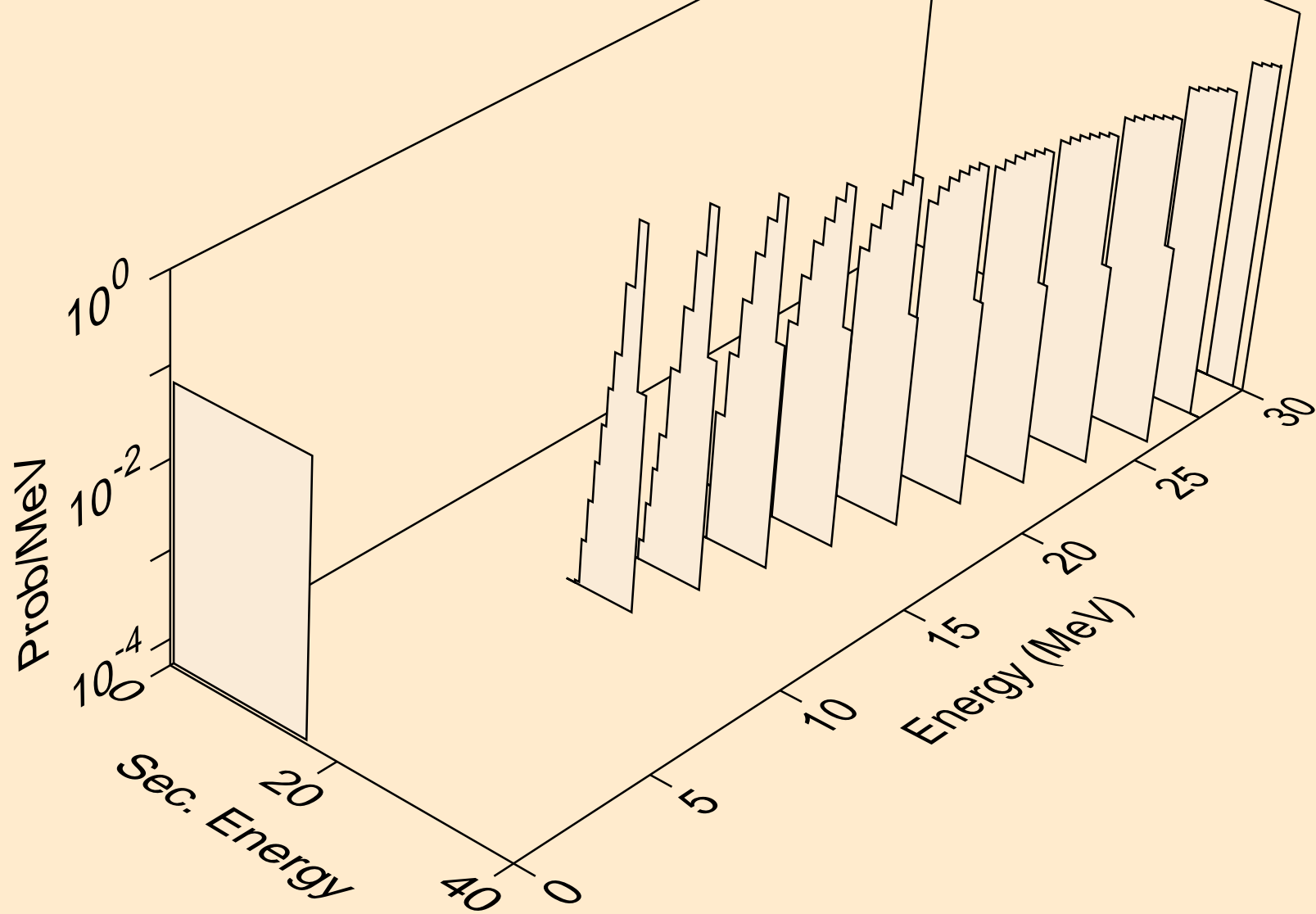
HS270 HELION ACER TENDL-2021 LIBRARY; T=0.K
alphas from (s,2n)a



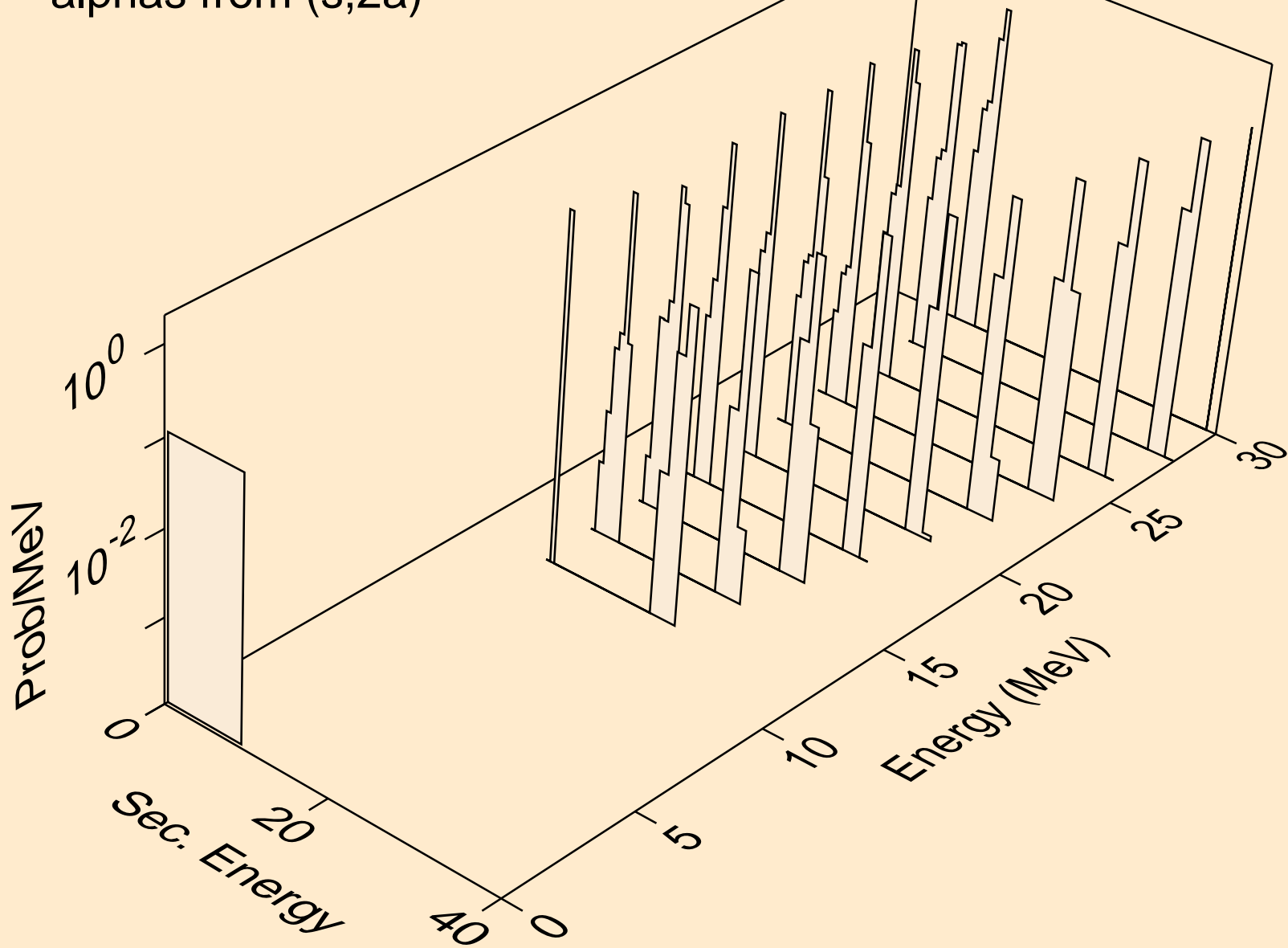
HS270 HELION ACER TENDL-2021 LIBRARY; T=0.K
alphas from (s,3n)a



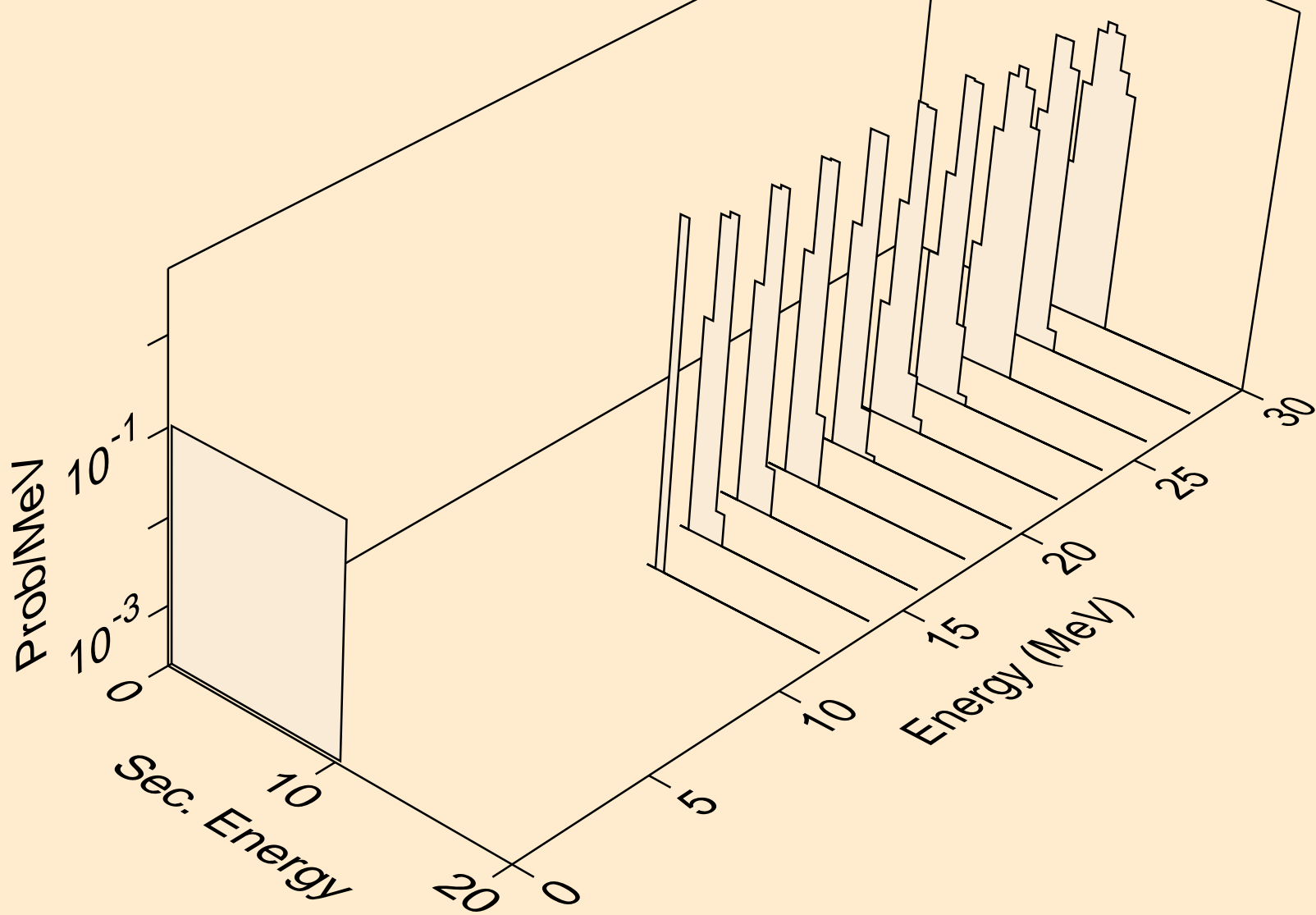
HS270 HELION ACER TENDL-2021 LIBRARY; T=0.K
alphas from (s,a)



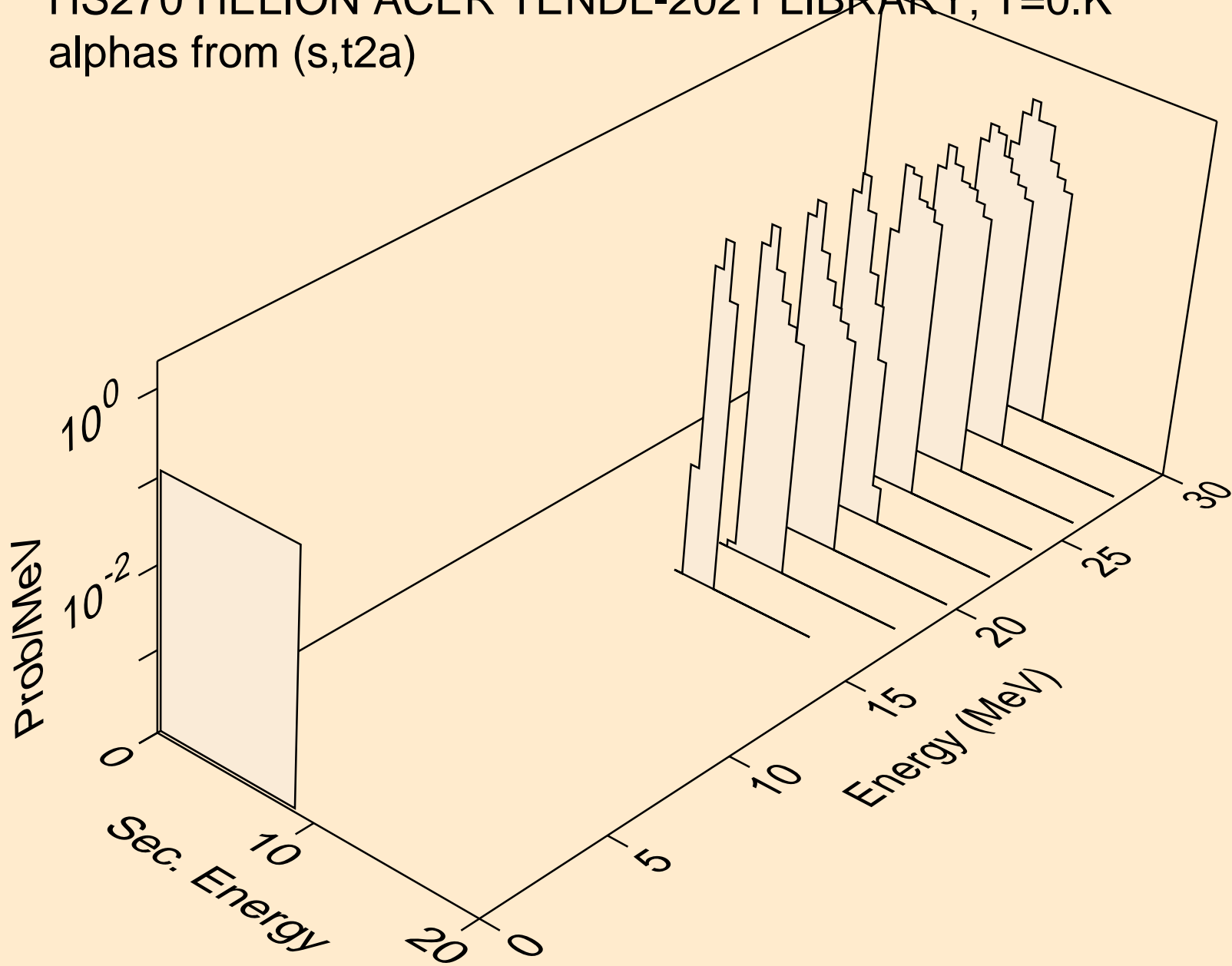
HS270 HELION ACER TENDL-2021 LIBRARY; T=0.K
alphas from (s,2a)



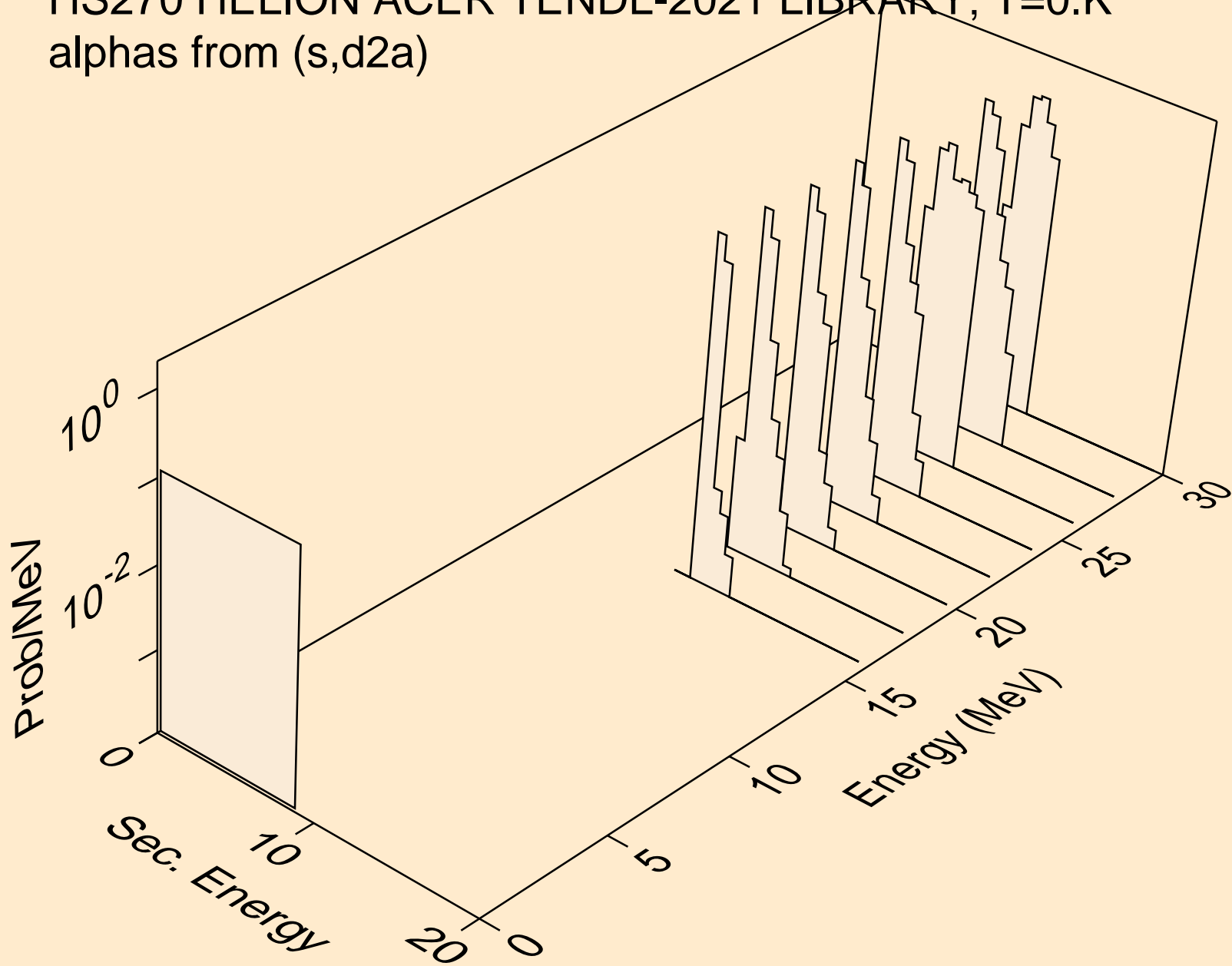
HS270 HELION ACER TENDL-2021 LIBRARY; T=0.K
alphas from (s,pa)



HS270 HELION ACER TENDL-2021 LIBRARY; T=0.K
alphas from (s,t2a)



HS270 HELION ACER TENDL-2021 LIBRARY; T=0.K
alphas from (s,d2a)



HS270 HELION ACER TENDL-2021 LIBRARY; T=0.K
alphas from (s,da)

