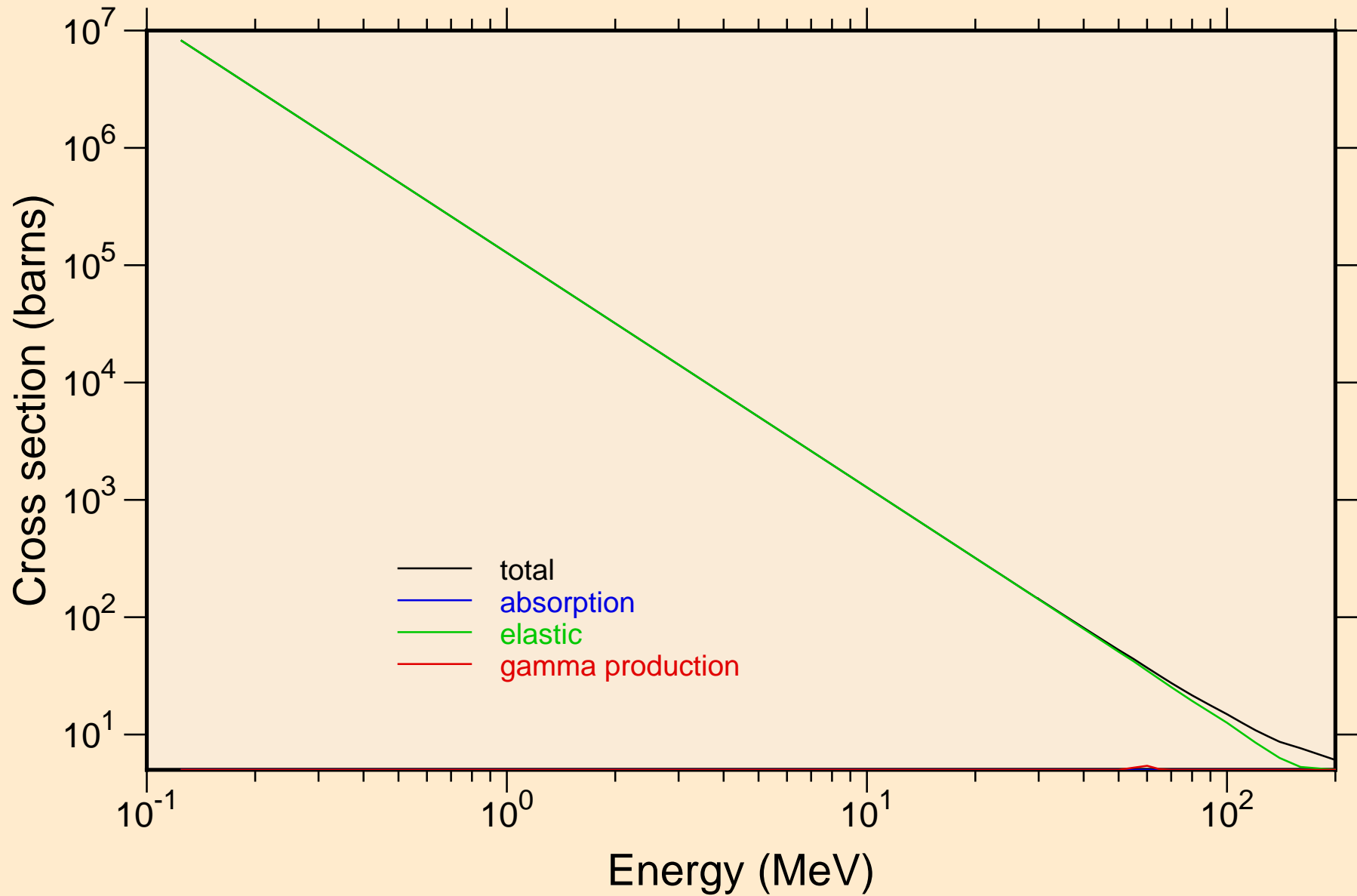
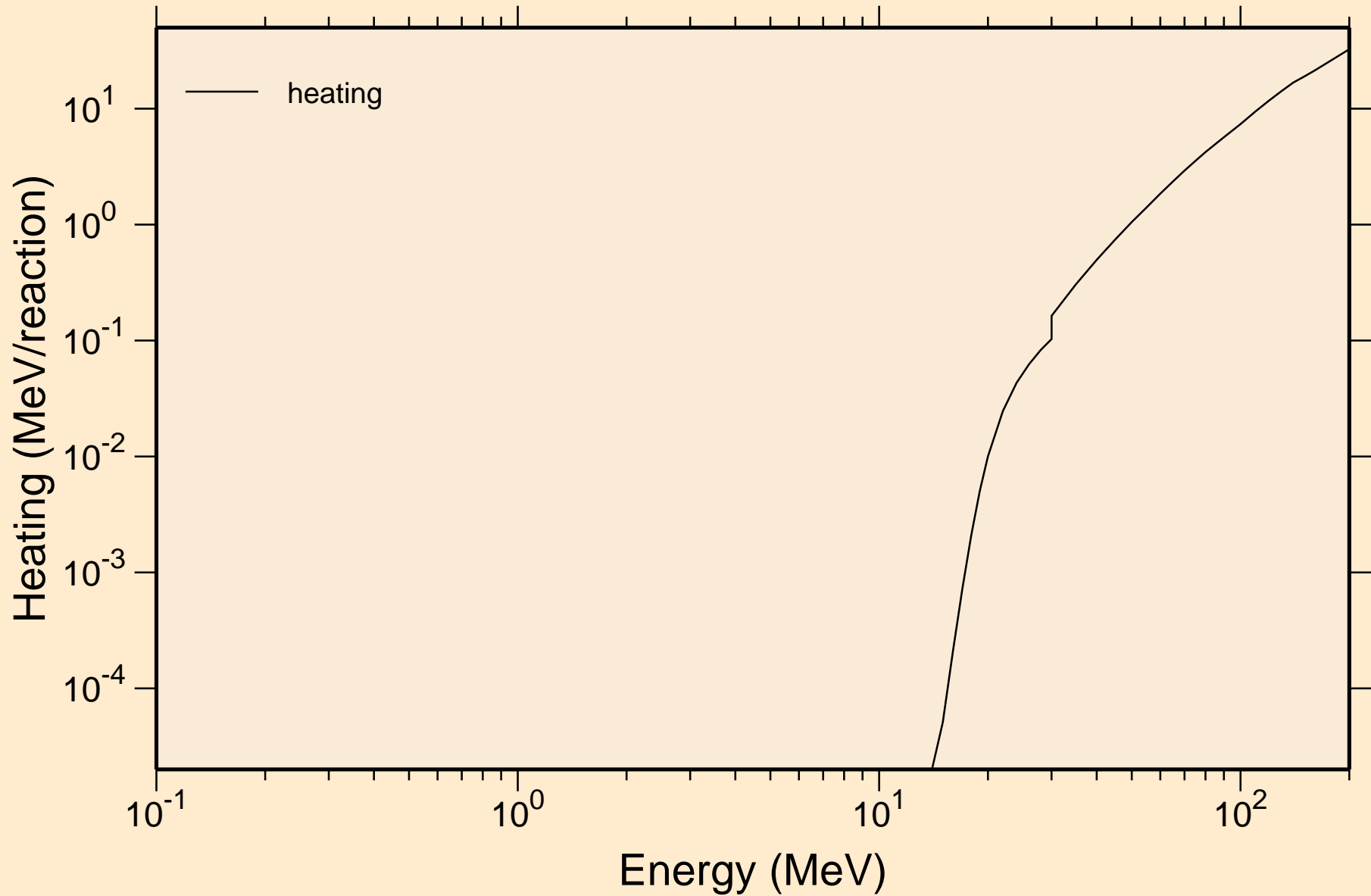


LU185 HELION ACER TENDL-2021 LIBRARY; T=0.K
Principal cross sections



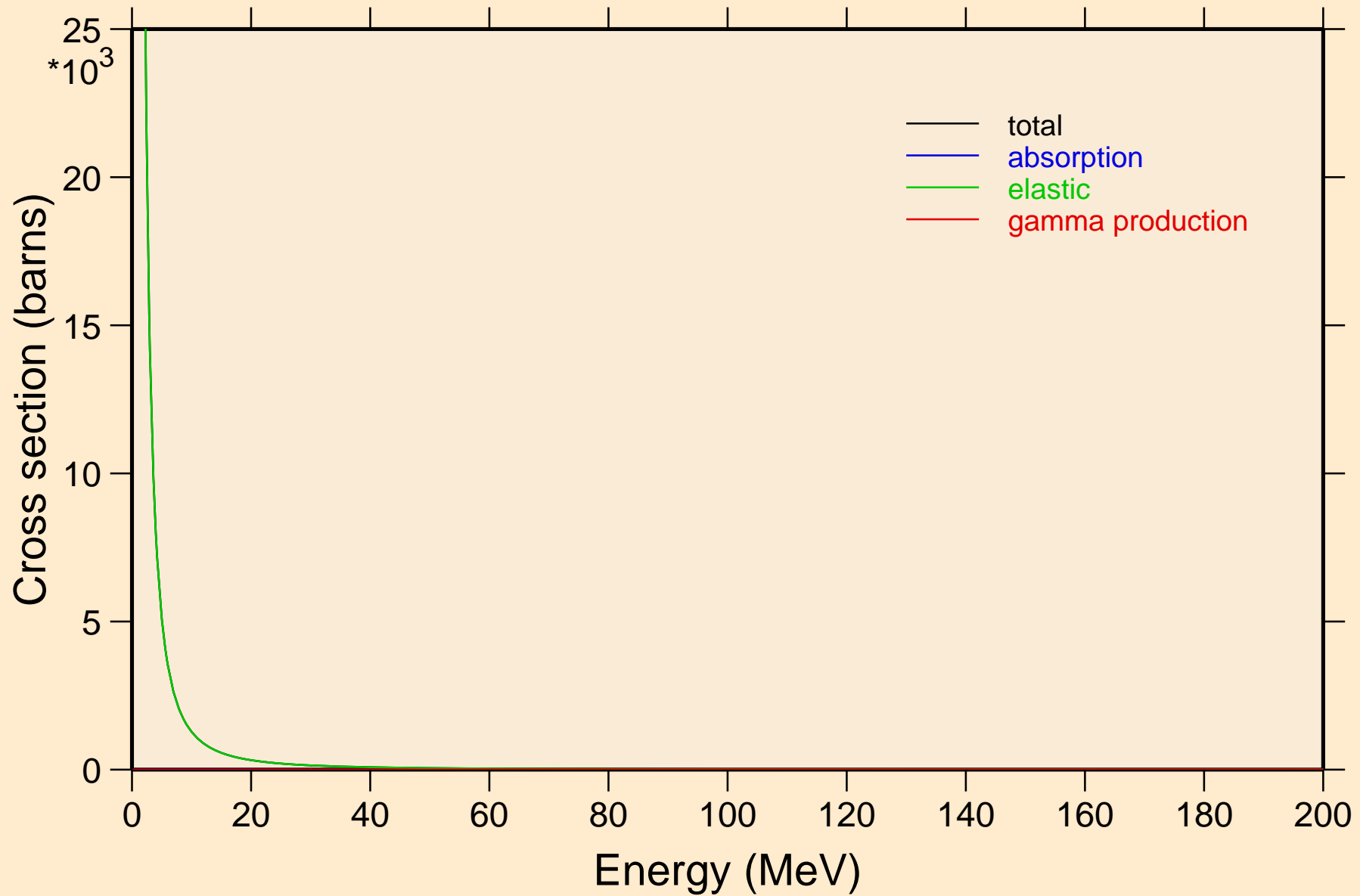
LU185 HELION ACER TENDL-2021 LIBRARY; T=0.K

Heating



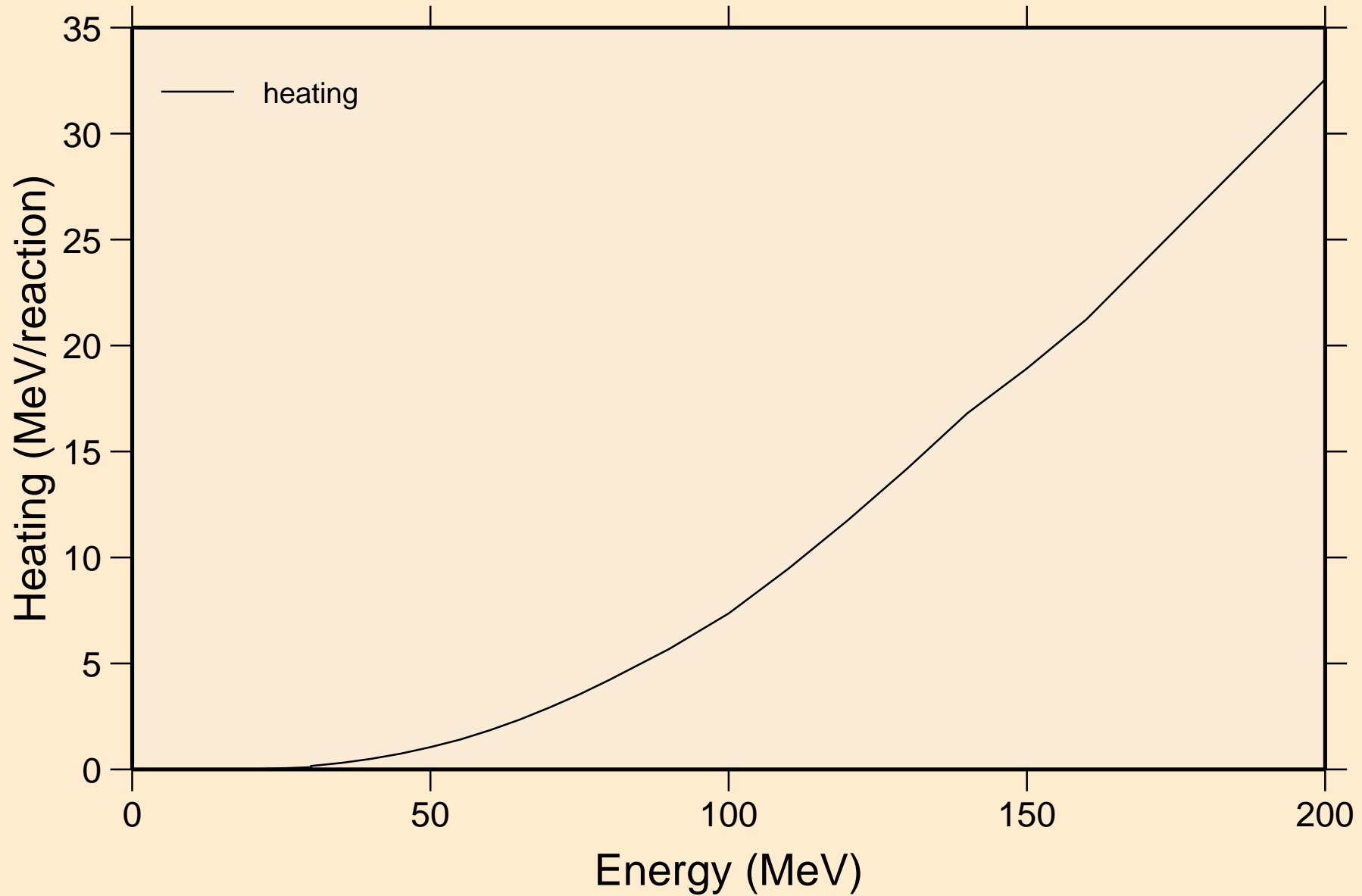
LU185 HELION ACER TENDL-2021 LIBRARY; T=0.K

Principal cross sections

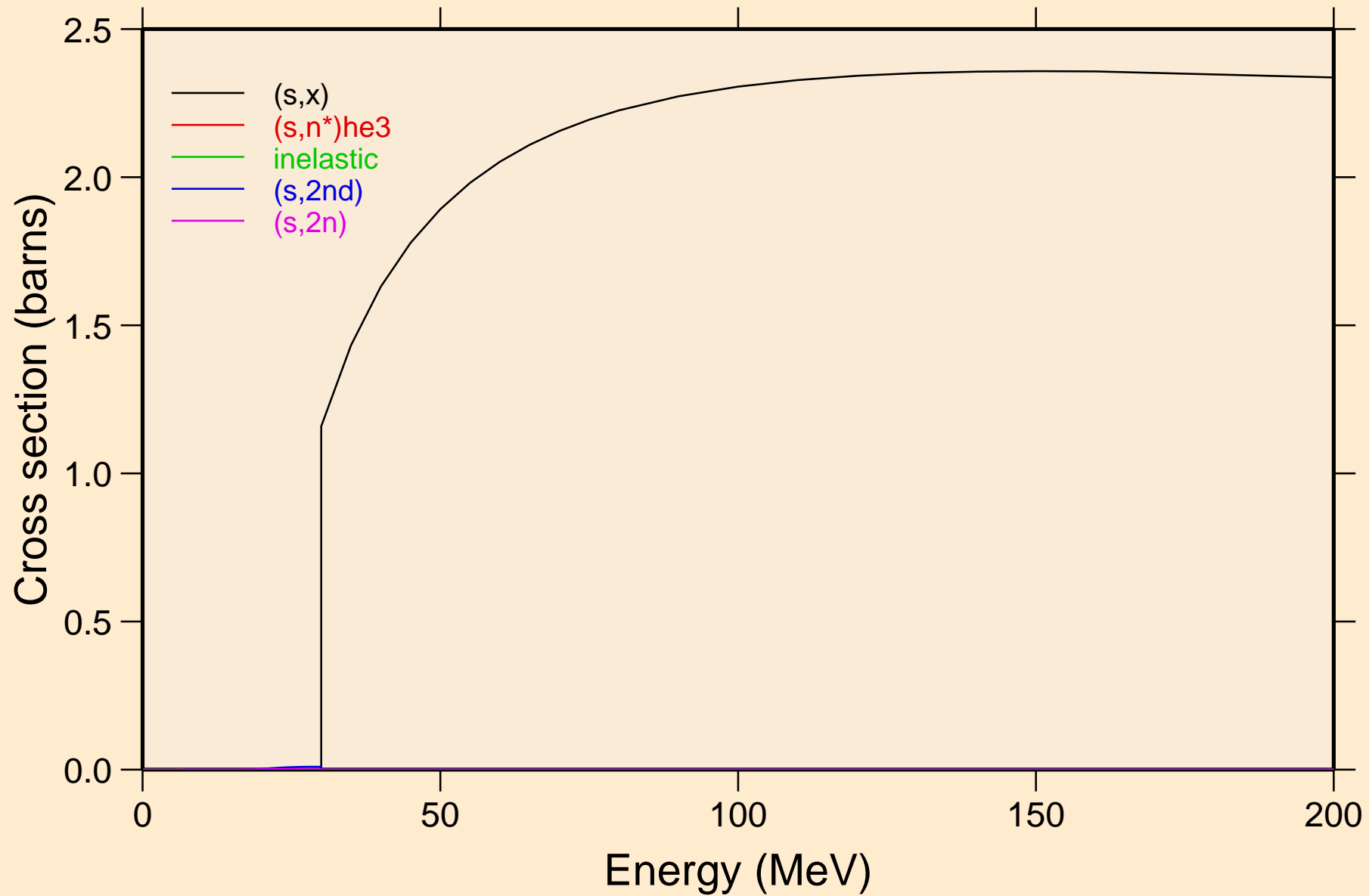


LU185 HELION ACER TENDL-2021 LIBRARY; T=0.K

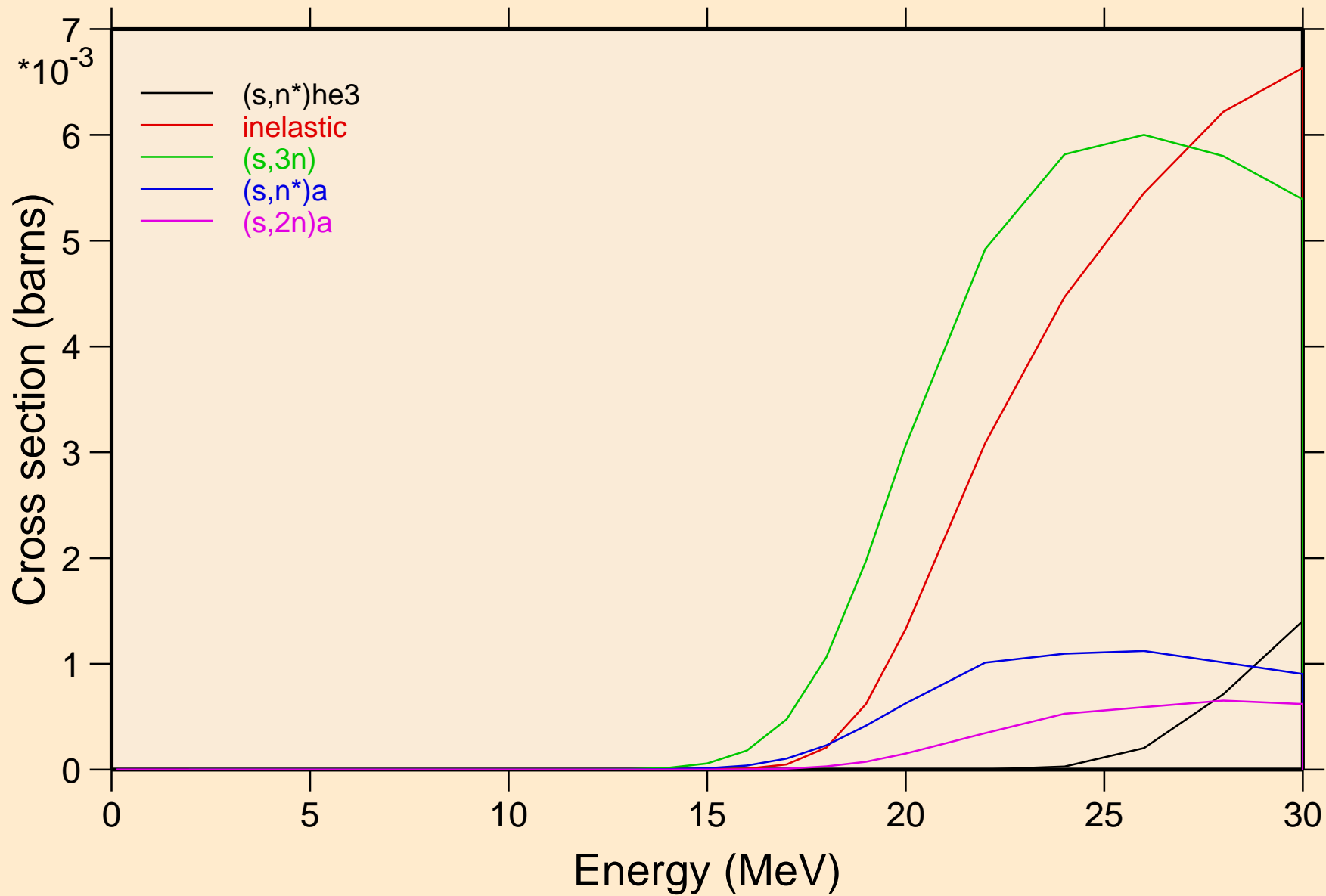
Heating



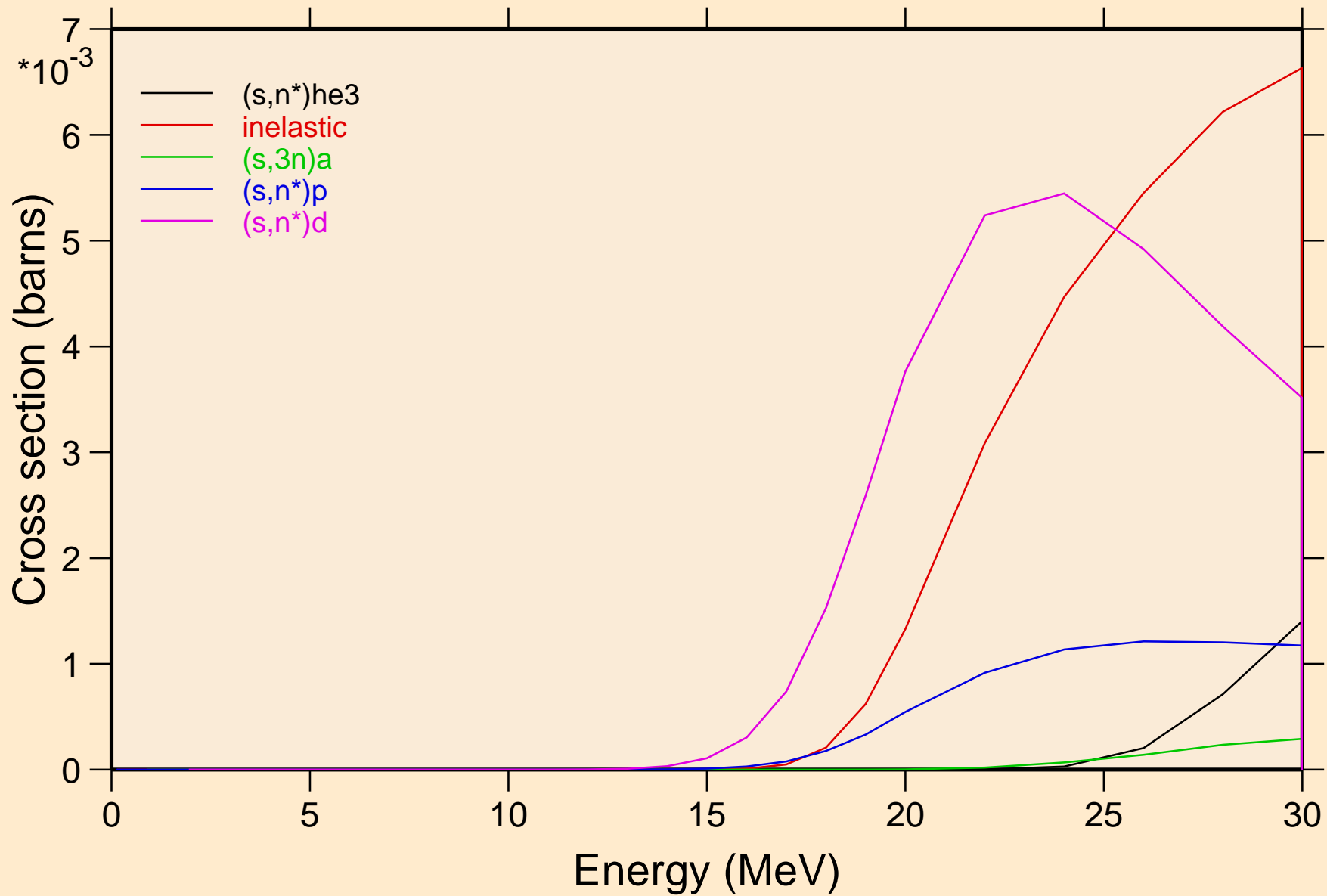
LU185 HELION ACER TENDL-2021 LIBRARY; T=0.K
Threshold reactions



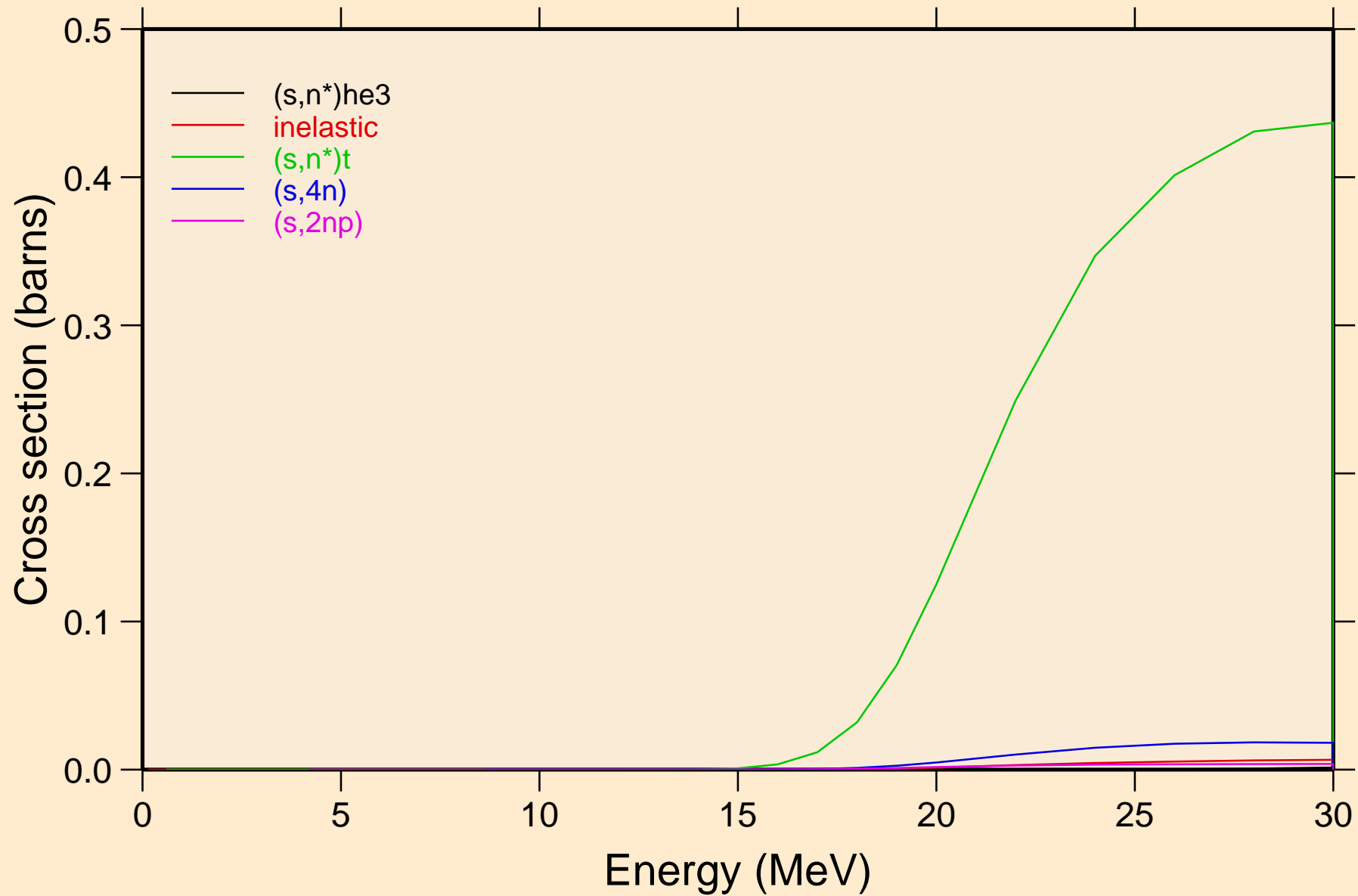
LU185 HELION ACER TENDL-2021 LIBRARY; T=0.K
Threshold reactions



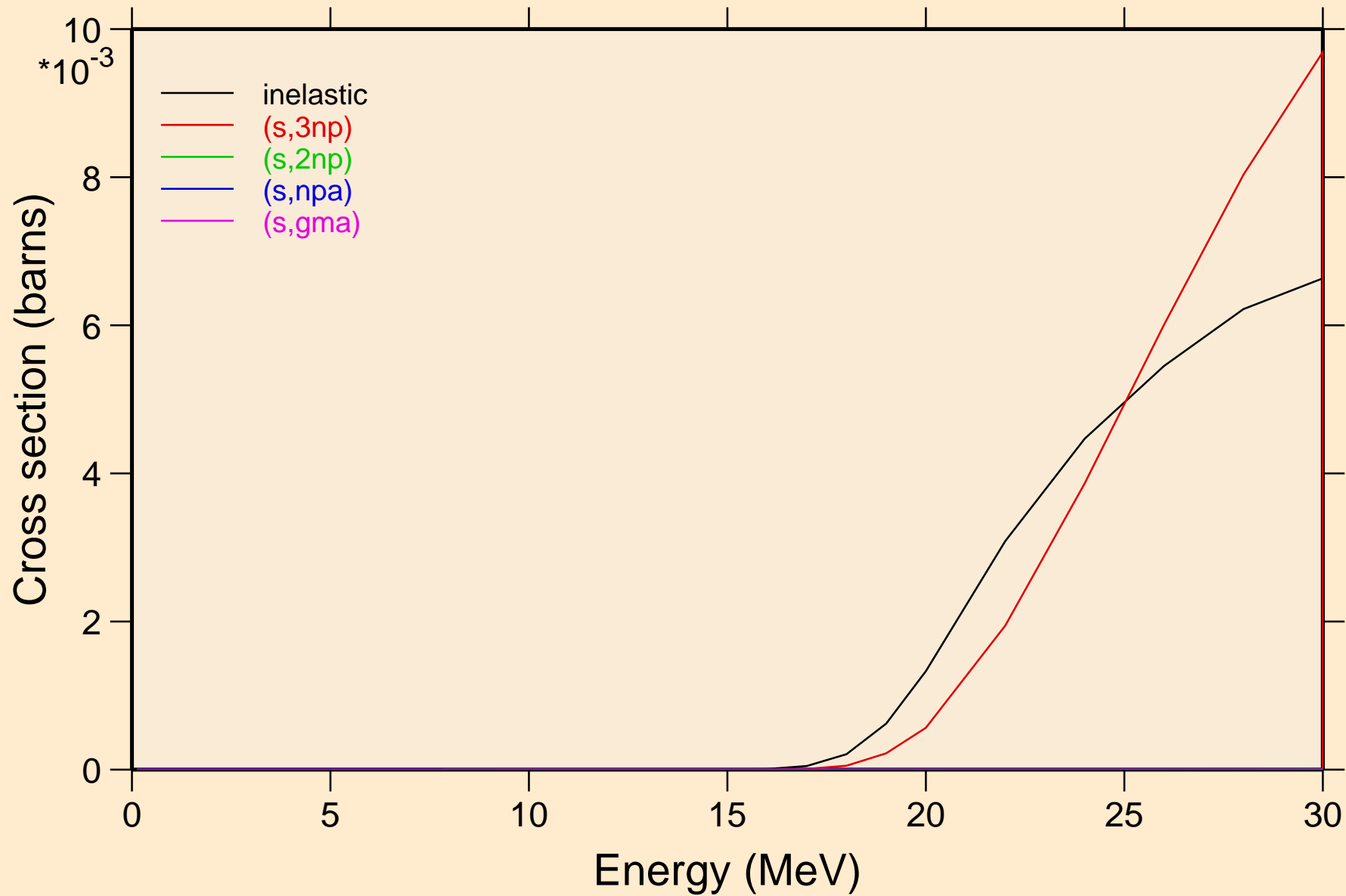
LU185 HELION ACER TENDL-2021 LIBRARY; T=0.K
Threshold reactions



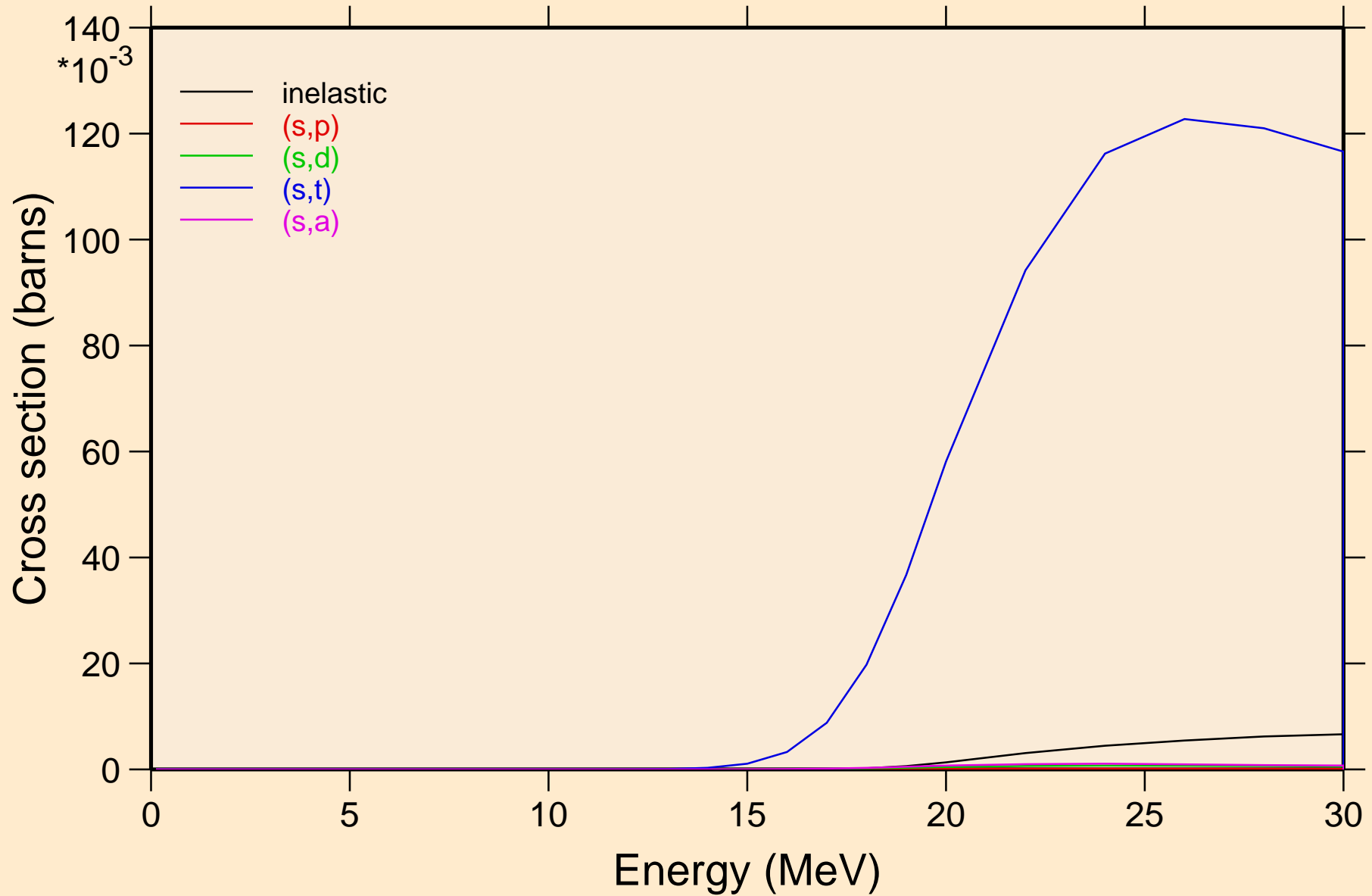
LU185 HELION ACER TENDL-2021 LIBRARY; T=0.K
Threshold reactions



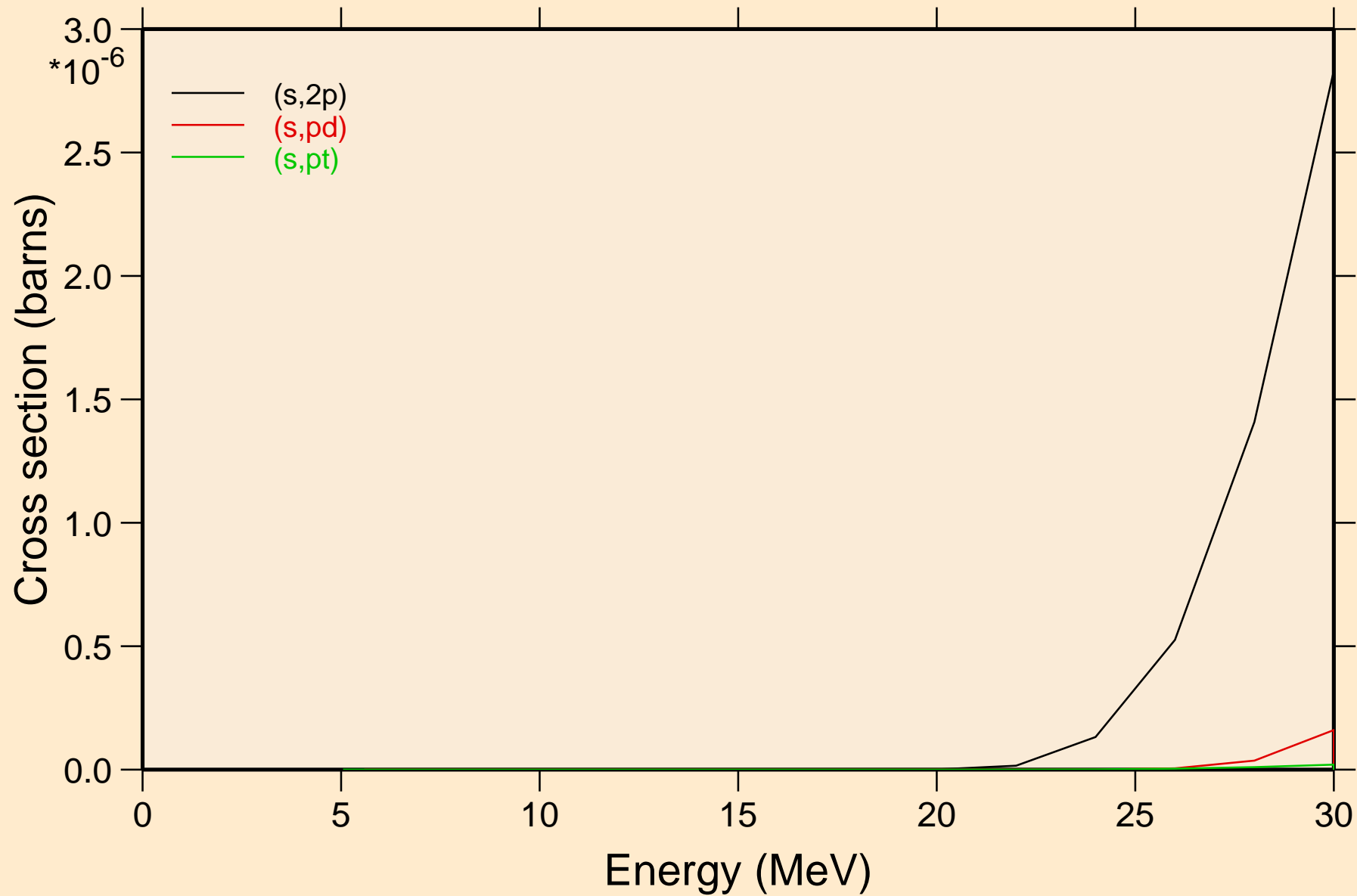
LU185 HELION ACER TENDL-2021 LIBRARY; T=0.K
Threshold reactions



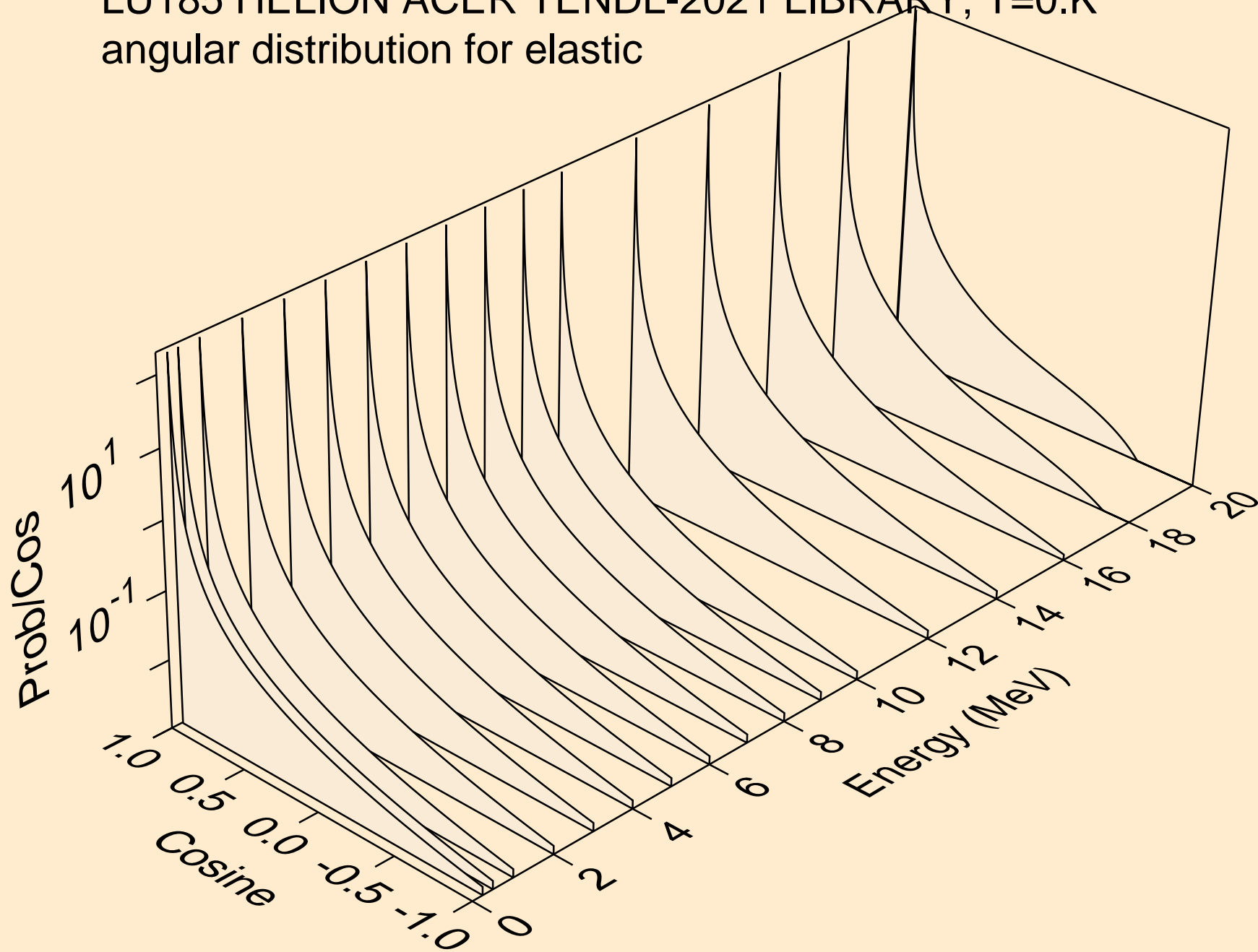
LU185 HELION ACER TENDL-2021 LIBRARY; T=0.K
Threshold reactions



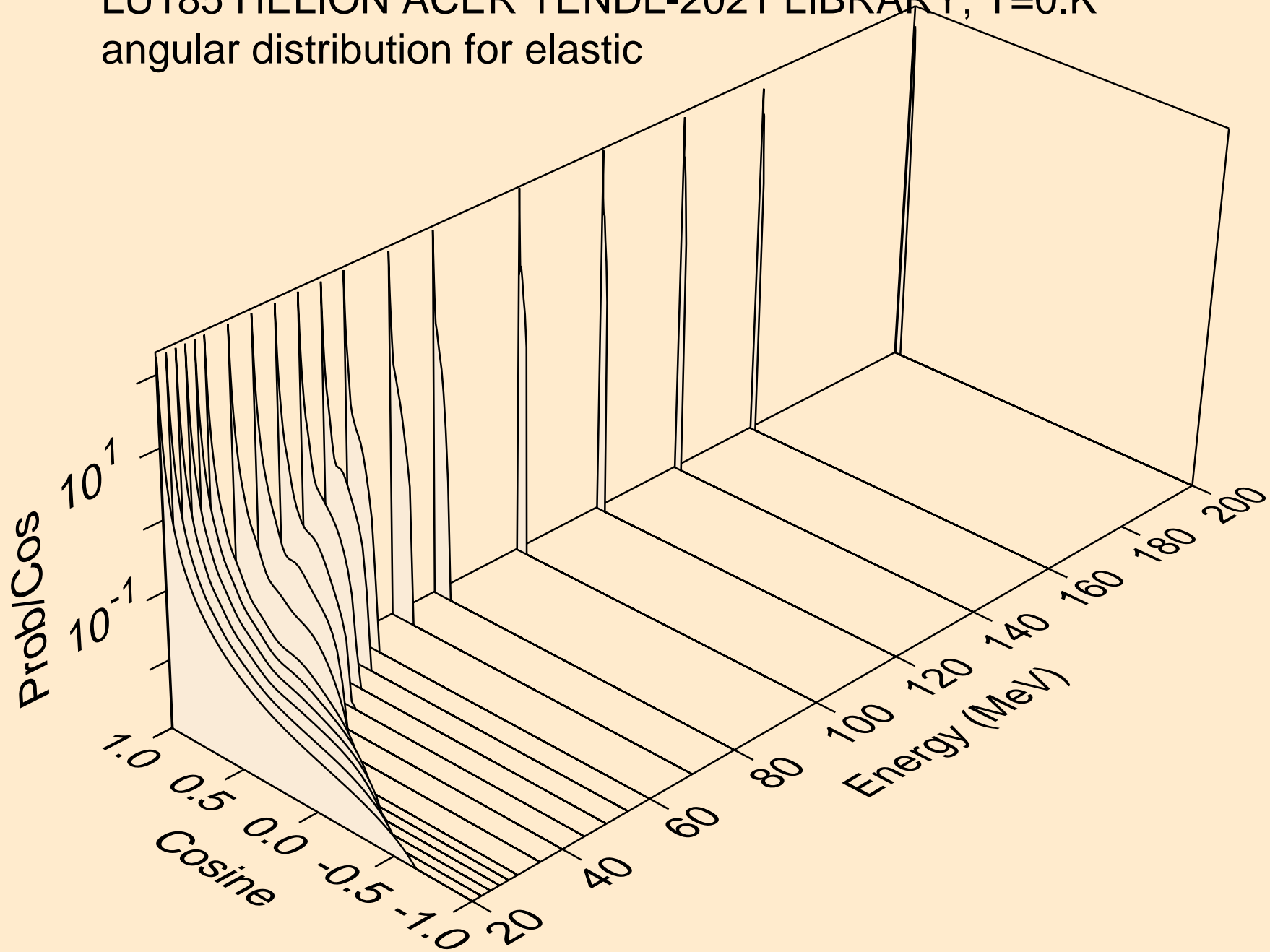
LU185 HELION ACER TENDL-2021 LIBRARY; T=0.K
Threshold reactions



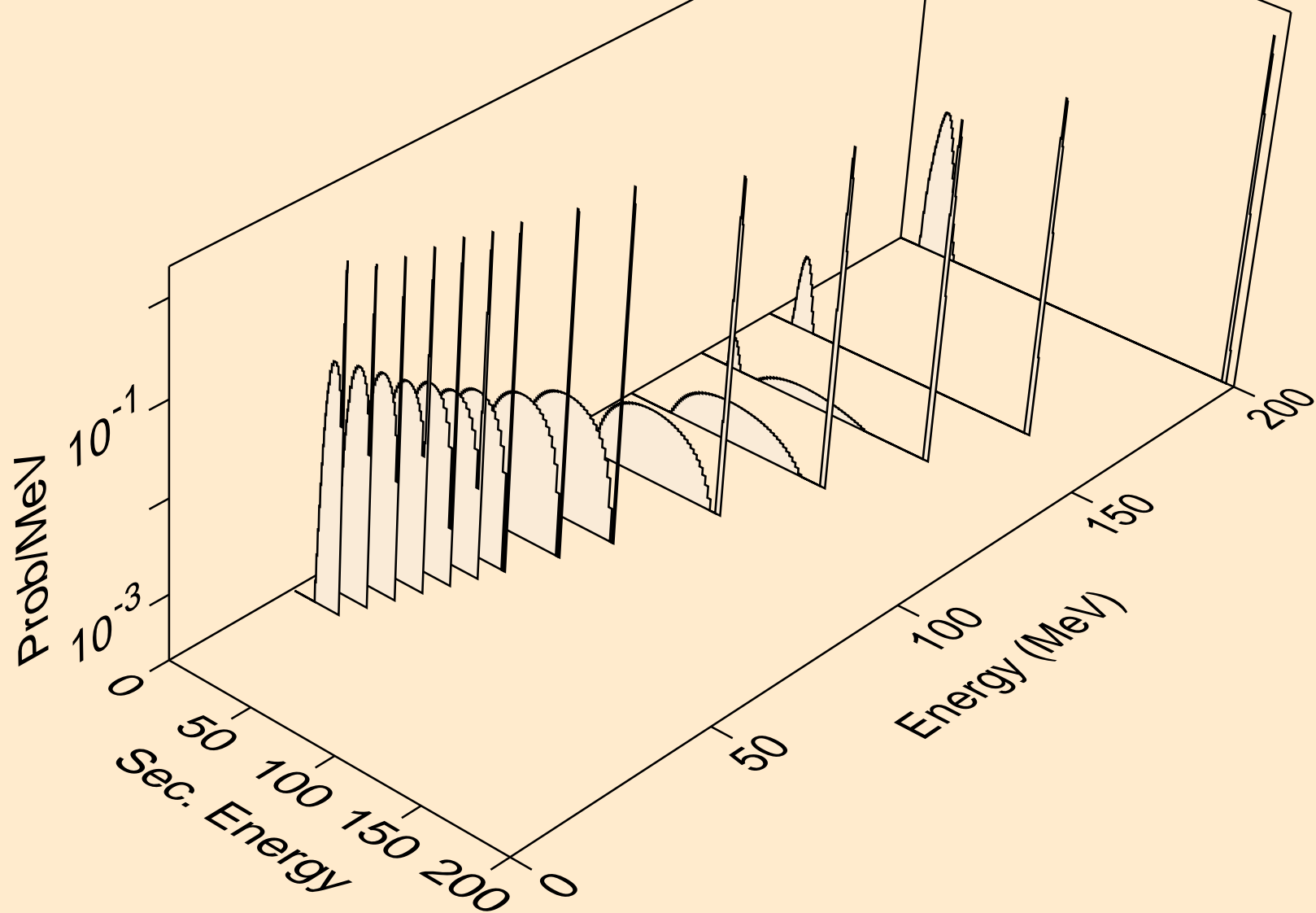
LU185 HELION ACER TENDL-2021 LIBRARY; T=0.K
angular distribution for elastic



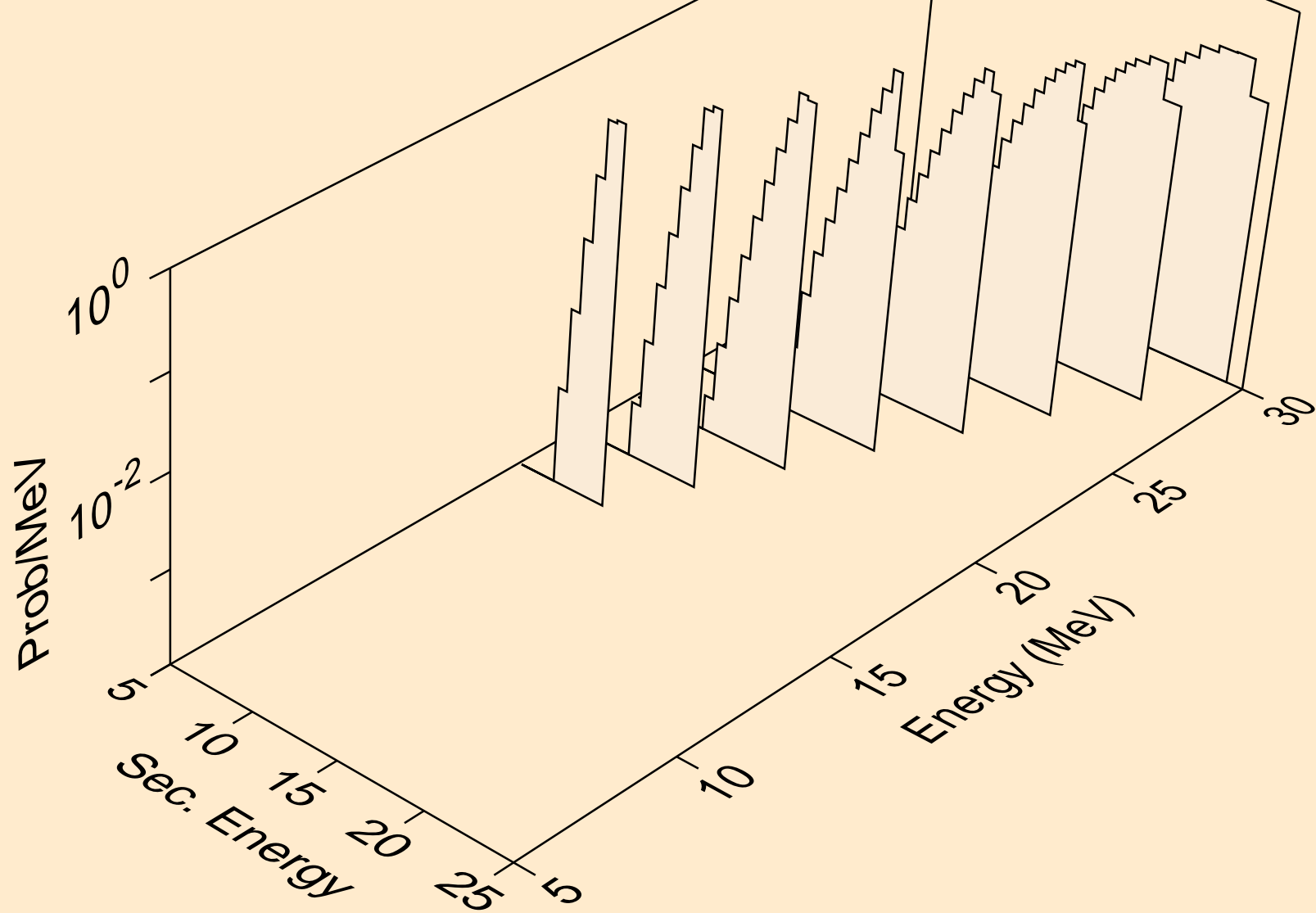
LU185 HELION ACER TENDL-2021 LIBRARY; T=0.K
angular distribution for elastic



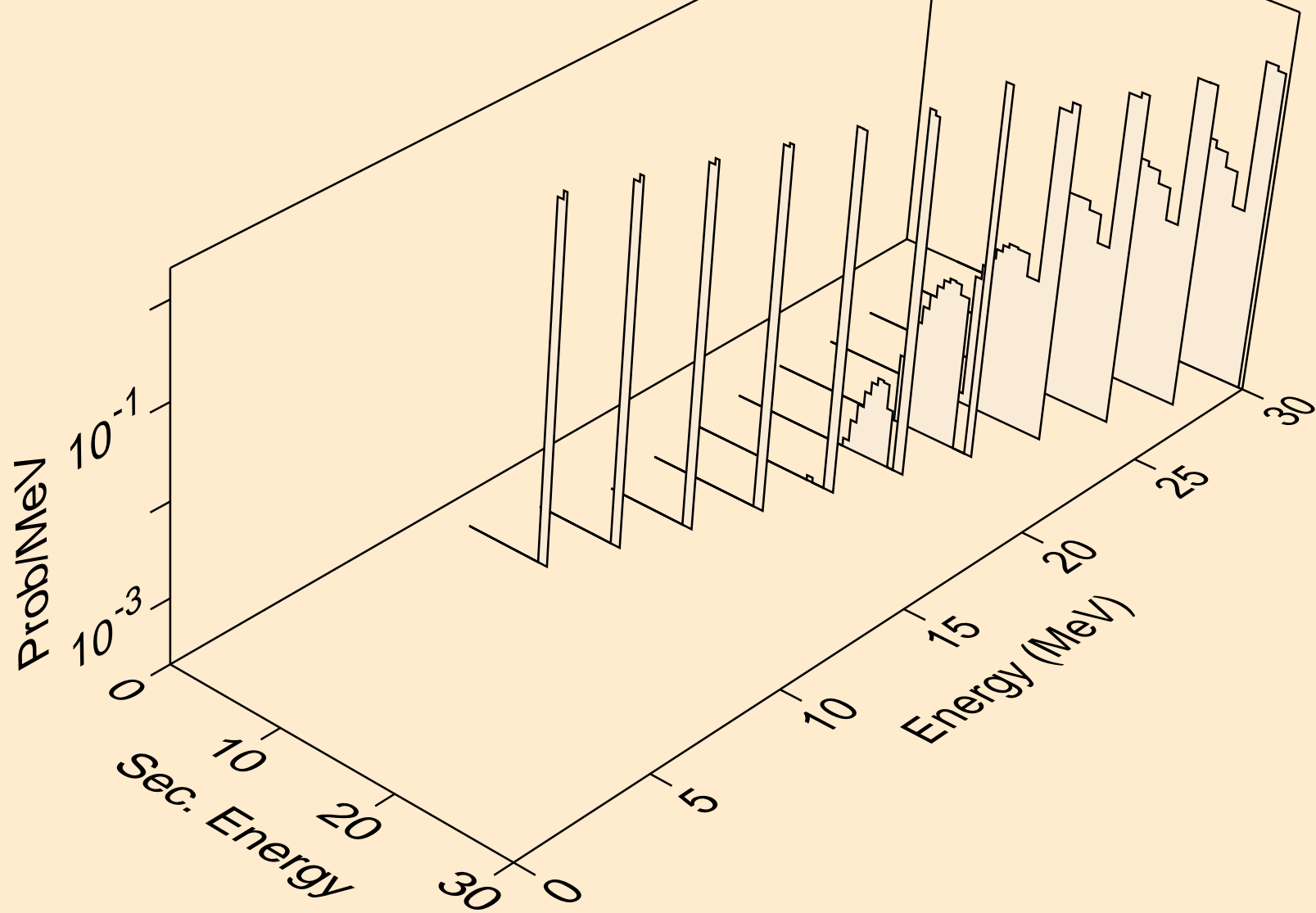
LU185 HELION ACER TENDL-2021 LIBRARY; T=0.K
He-3 emission for (s,x)



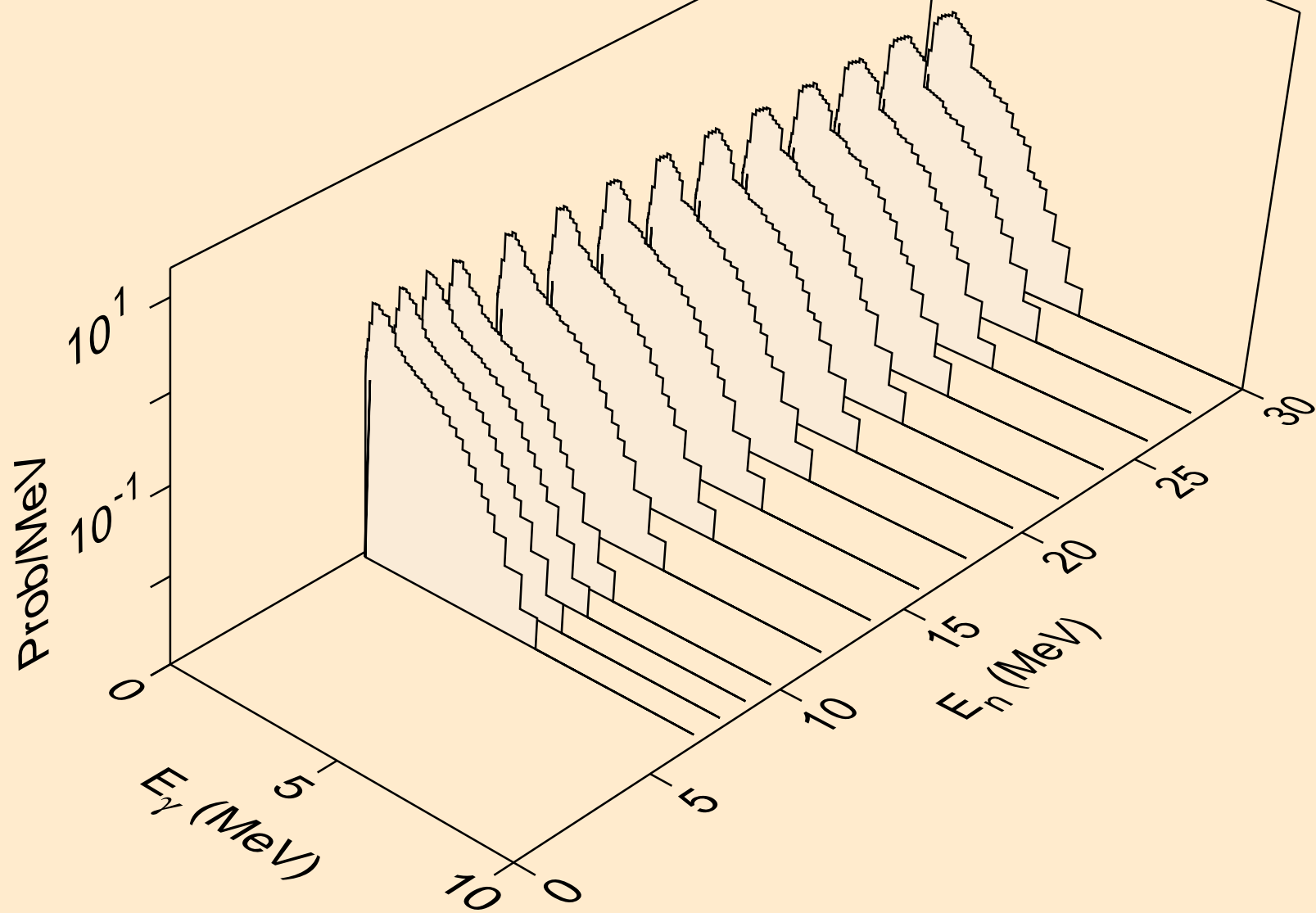
LU185 HELION ACER TENDL-2021 LIBRARY; T=0.K
He-3 emission for (s,n*)he3



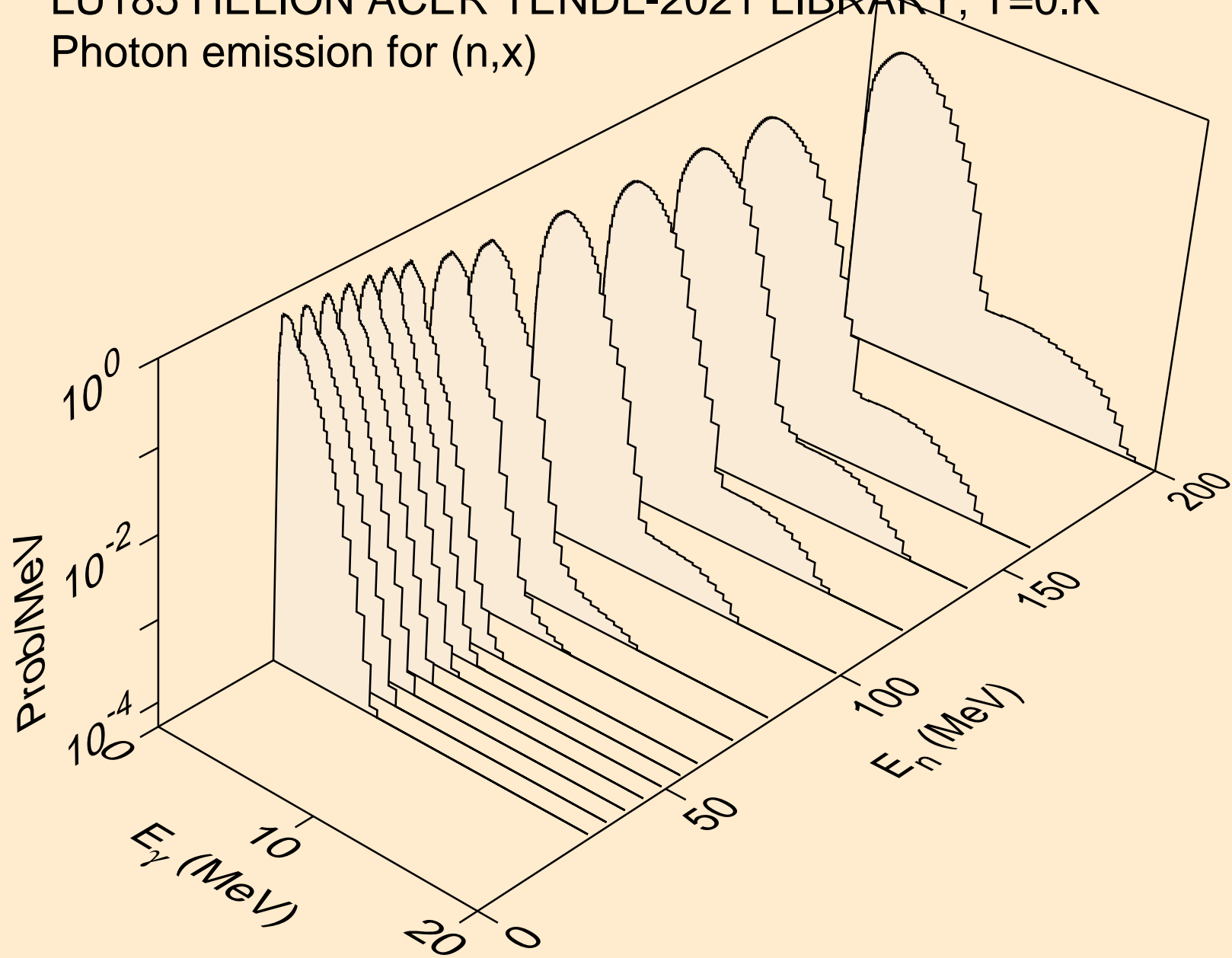
LU185 HELION ACER TENDL-2021 LIBRARY; T=0.K
He-3 emission for inelastic



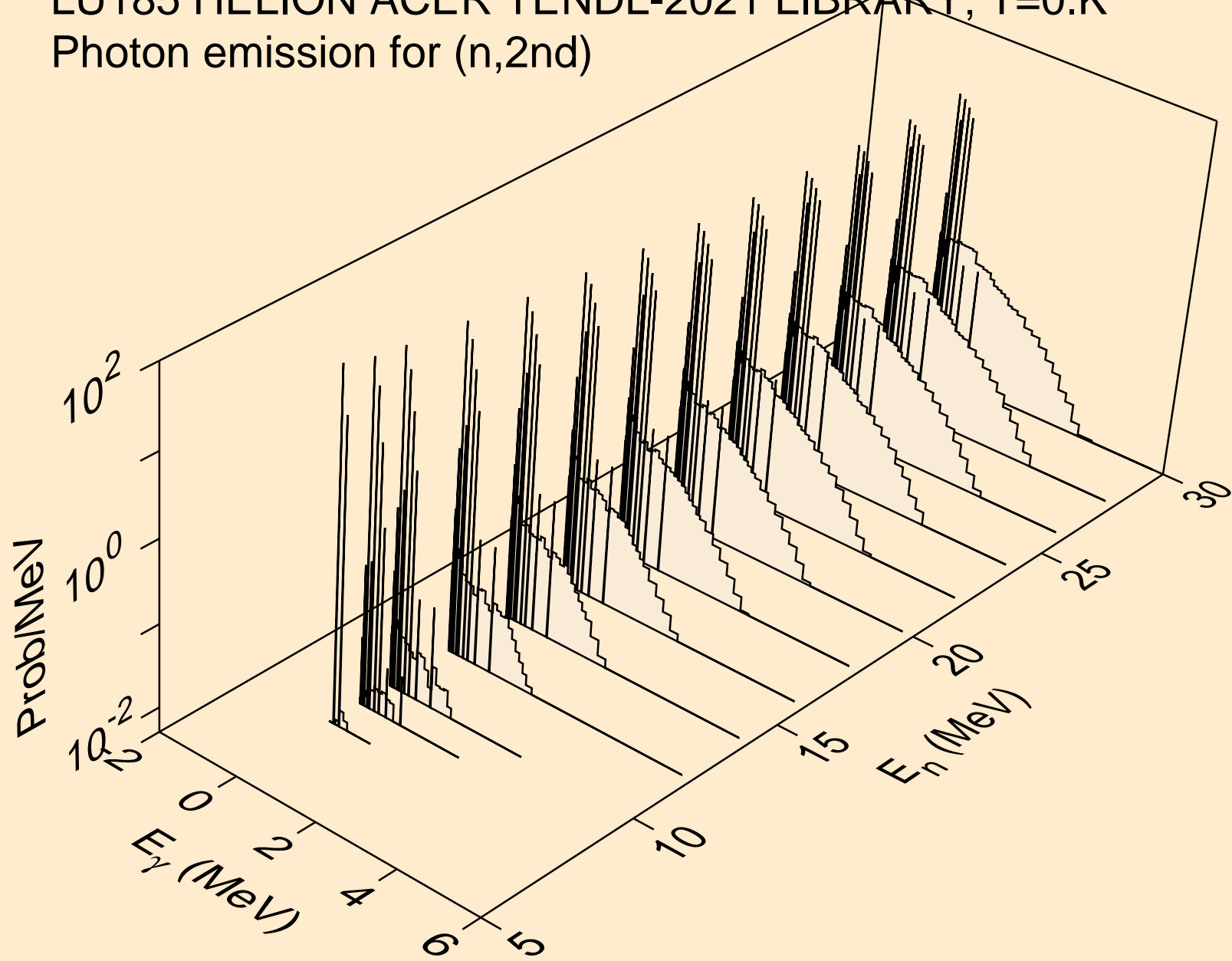
LU185 HELION ACER TENDL-2021 LIBRARY; T=0.K
Photon emission for (z,n)



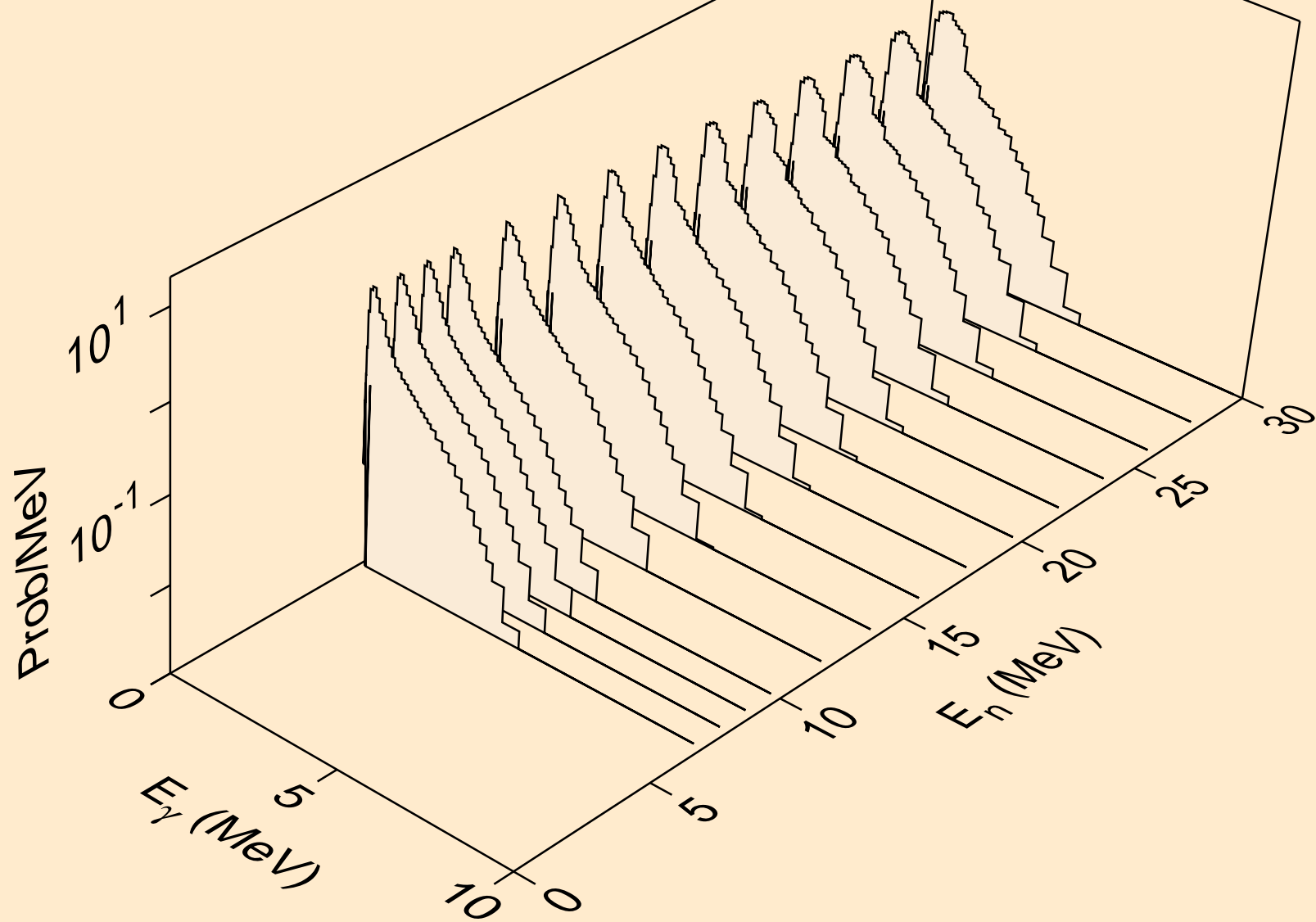
LU185 HELION ACER TENDL-2021 LIBRARY; T=0.K
Photon emission for (n,x)



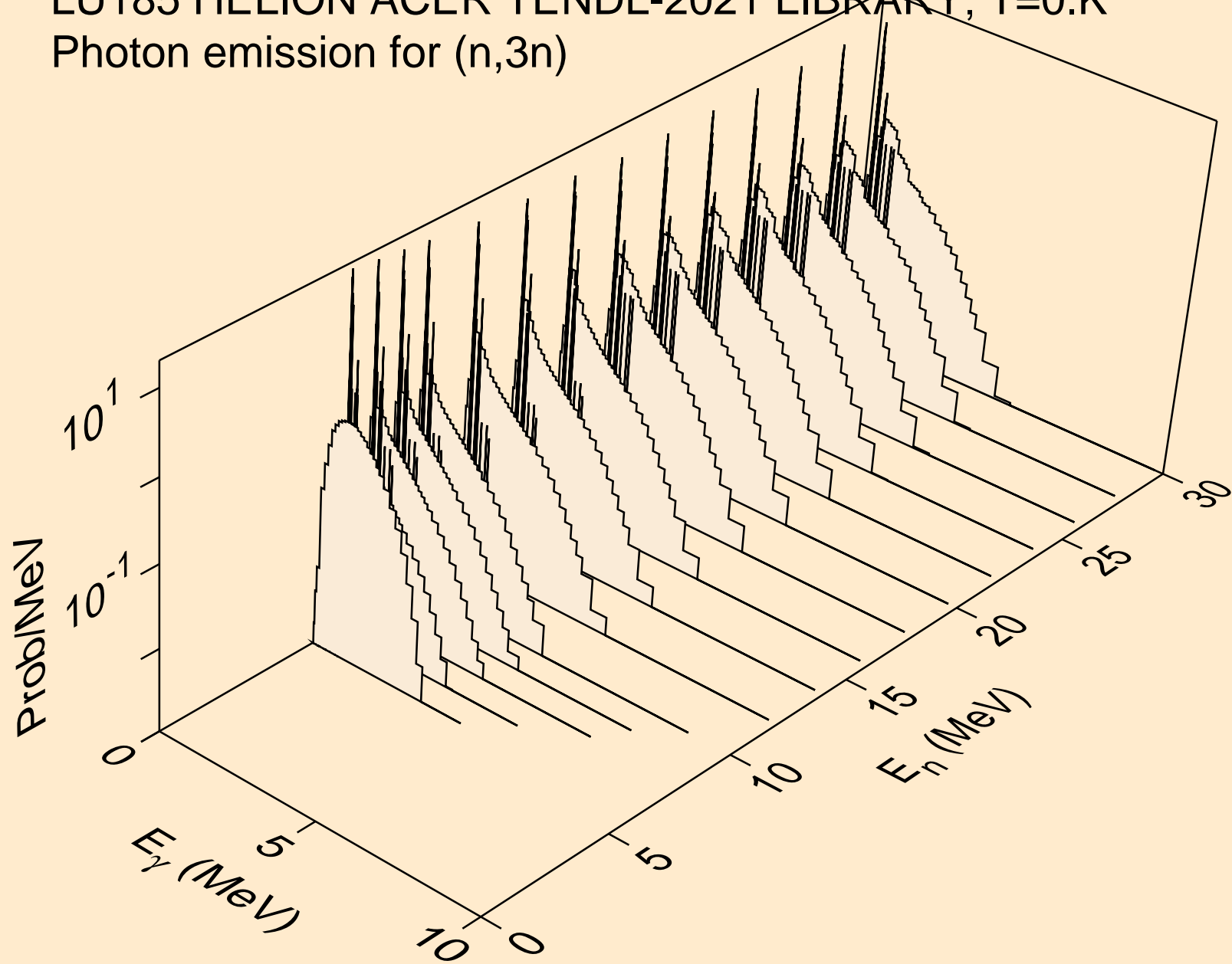
LU185 HELION ACER TENDL-2021 LIBRARY; T=0.K
Photon emission for (n,2nd)



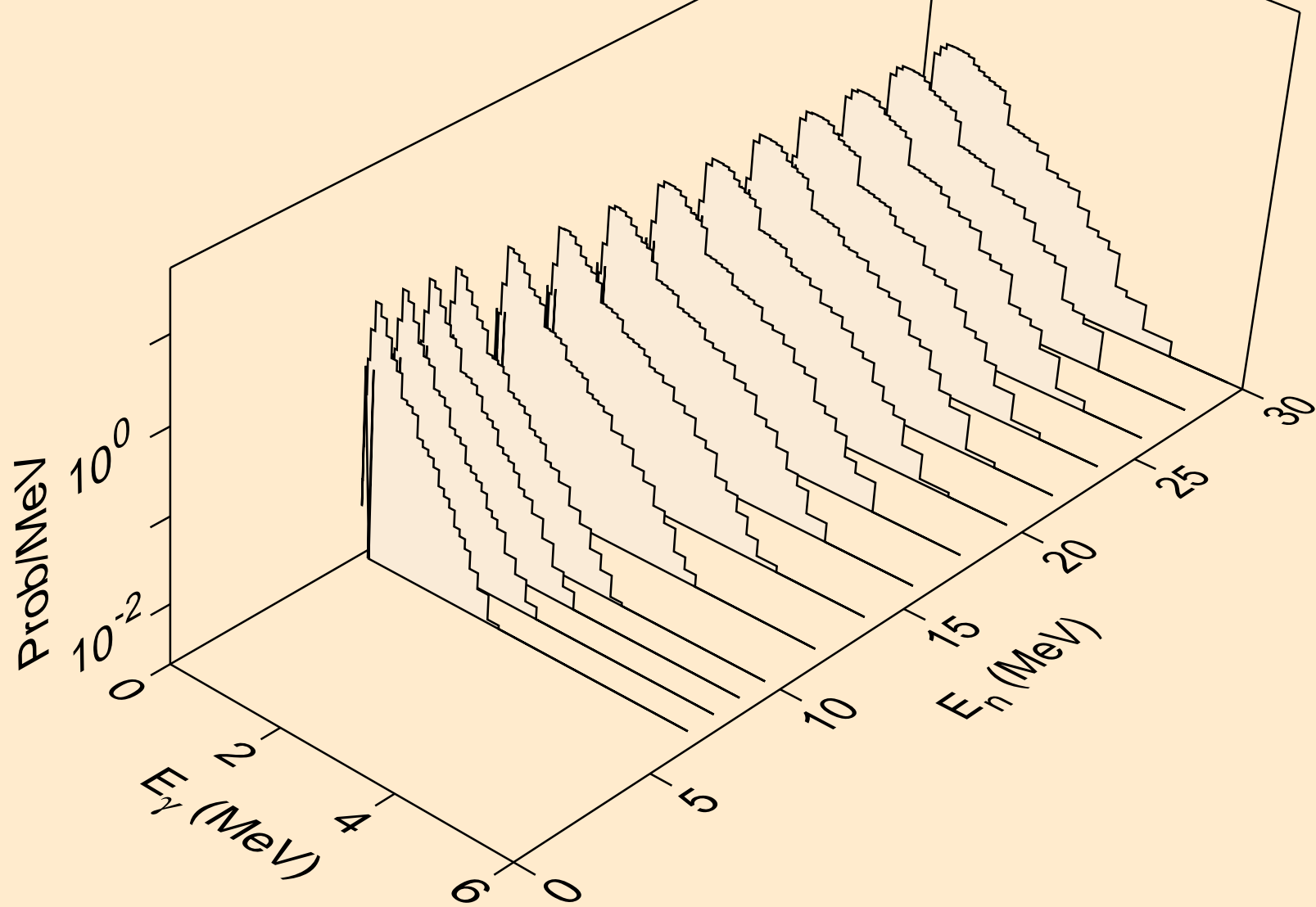
LU185 HELION ACER TENDL-2021 LIBRARY; T=0.K
Photon emission for (n,2n)



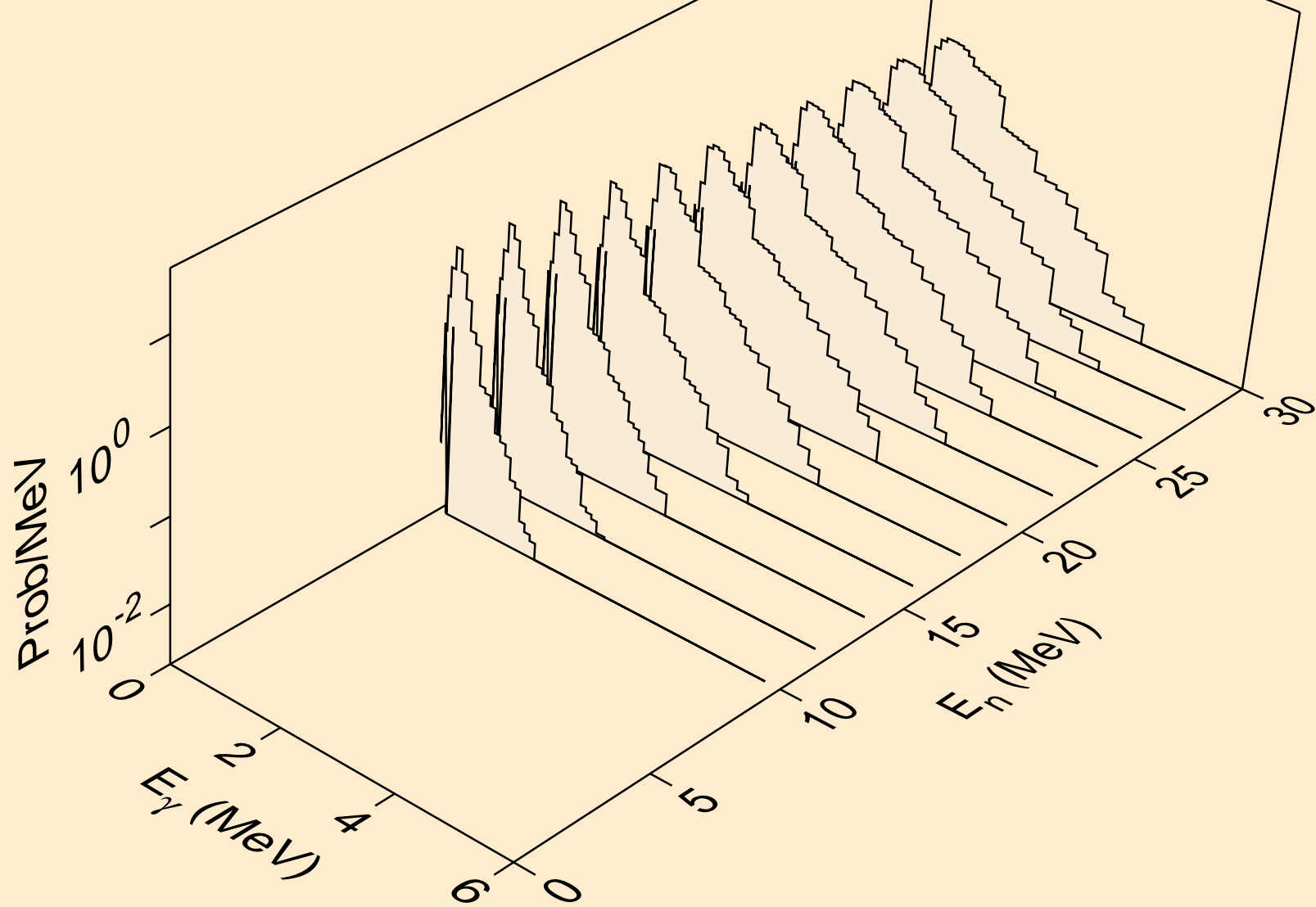
LU185 HELION ACER TENDL-2021 LIBRARY; T=0.K
Photon emission for (n,3n)



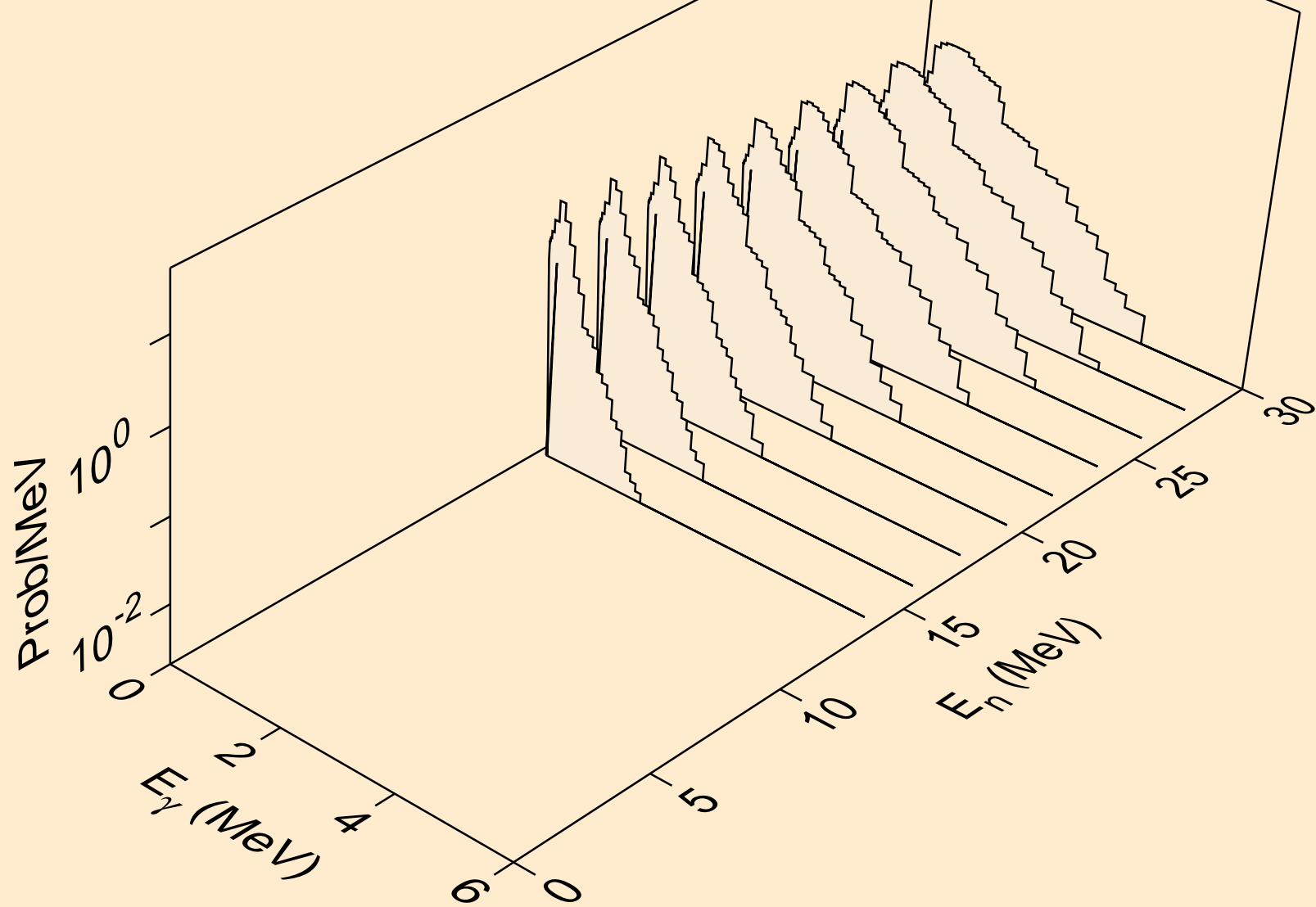
LU185 HELION ACER TENDL-2021 LIBRARY; T=0.K
Photon emission for (n,n*)a



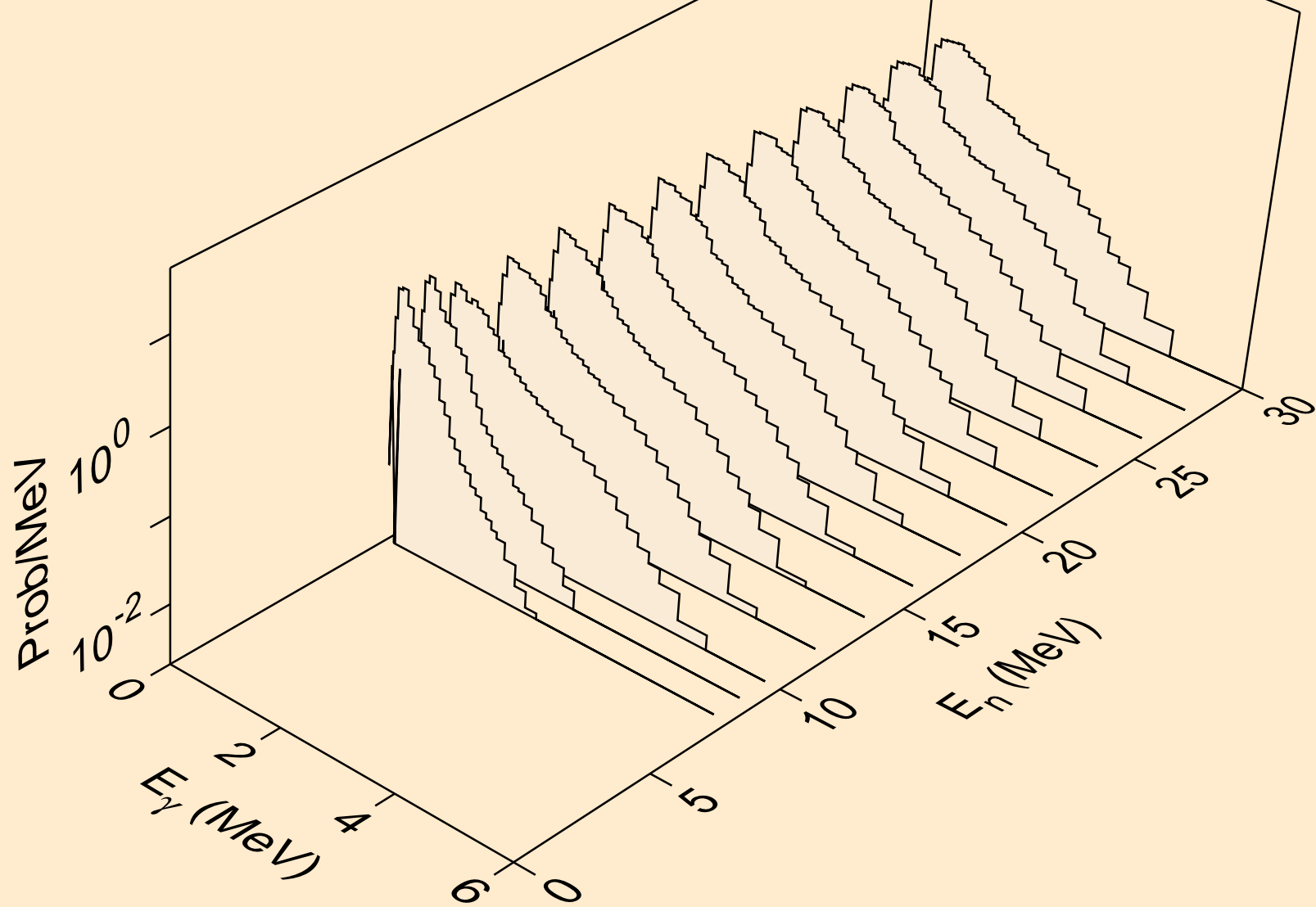
LU185 HELION ACER TENDL-2021 LIBRARY; T=0.K
Photon emission for (n,2n)a



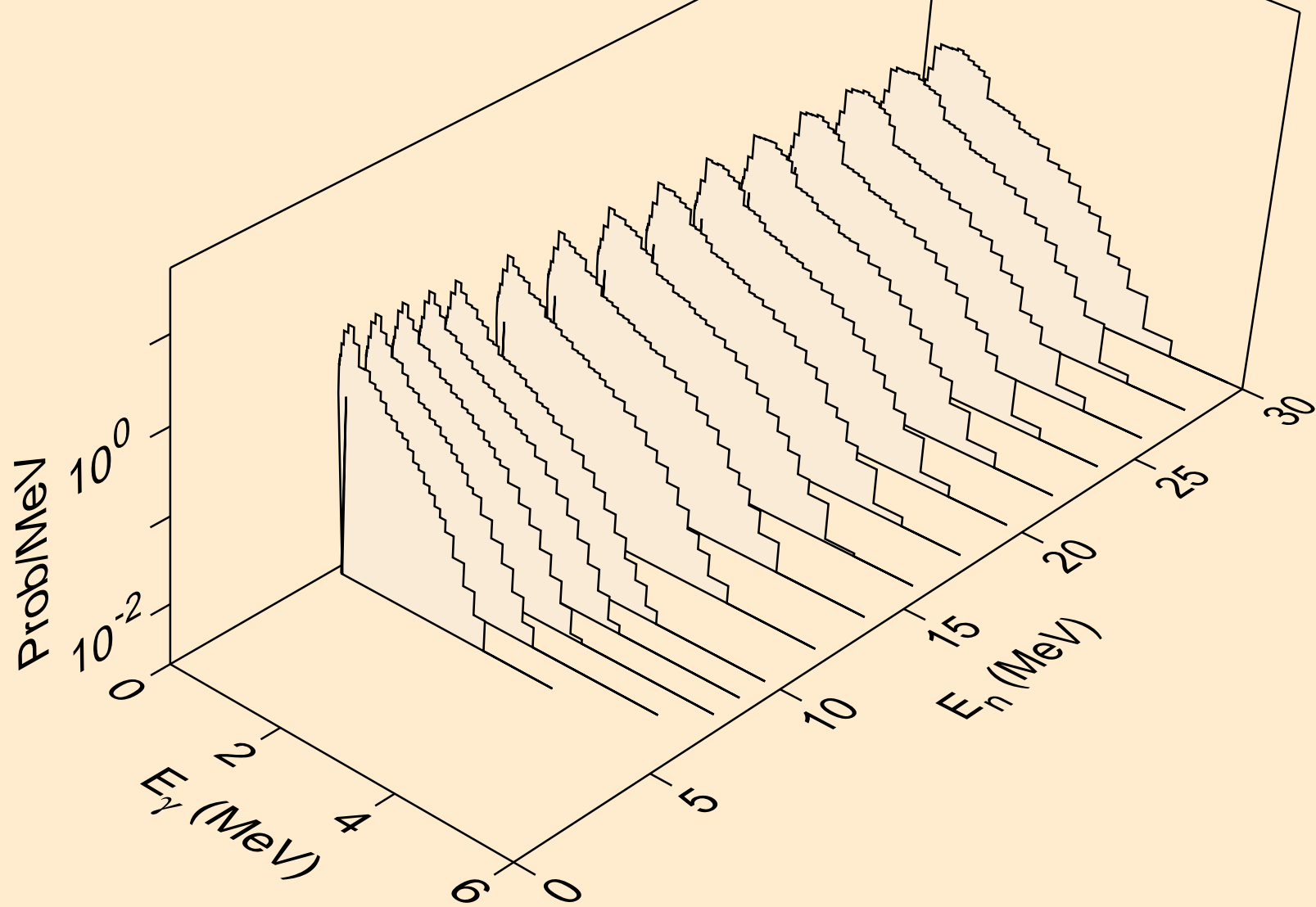
LU185 HELION ACER TENDL-2021 LIBRARY; T=0.K
Photon emission for (n,3n)a



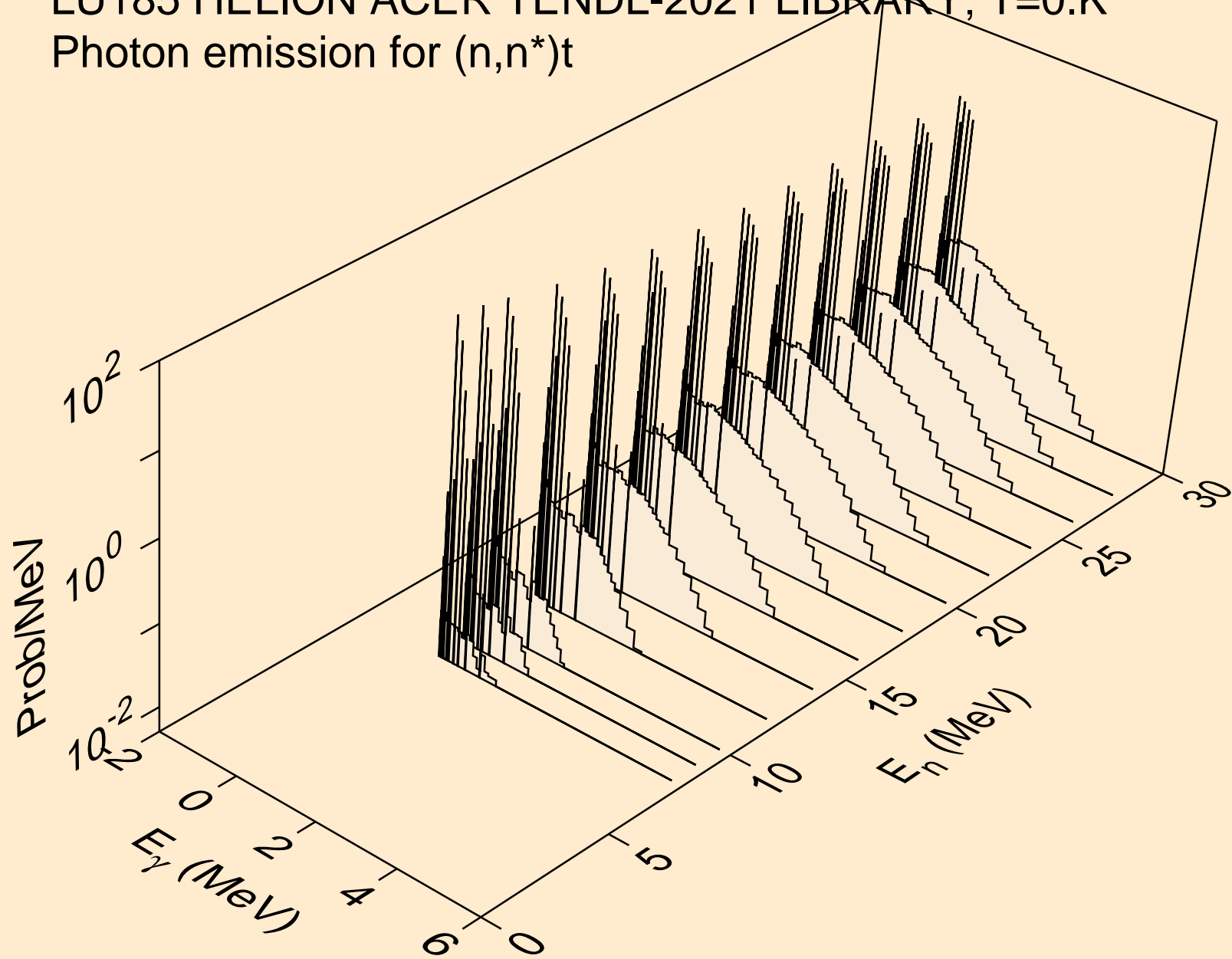
LU185 HELION ACER TENDL-2021 LIBRARY; T=0.K
Photon emission for (n,n*)p



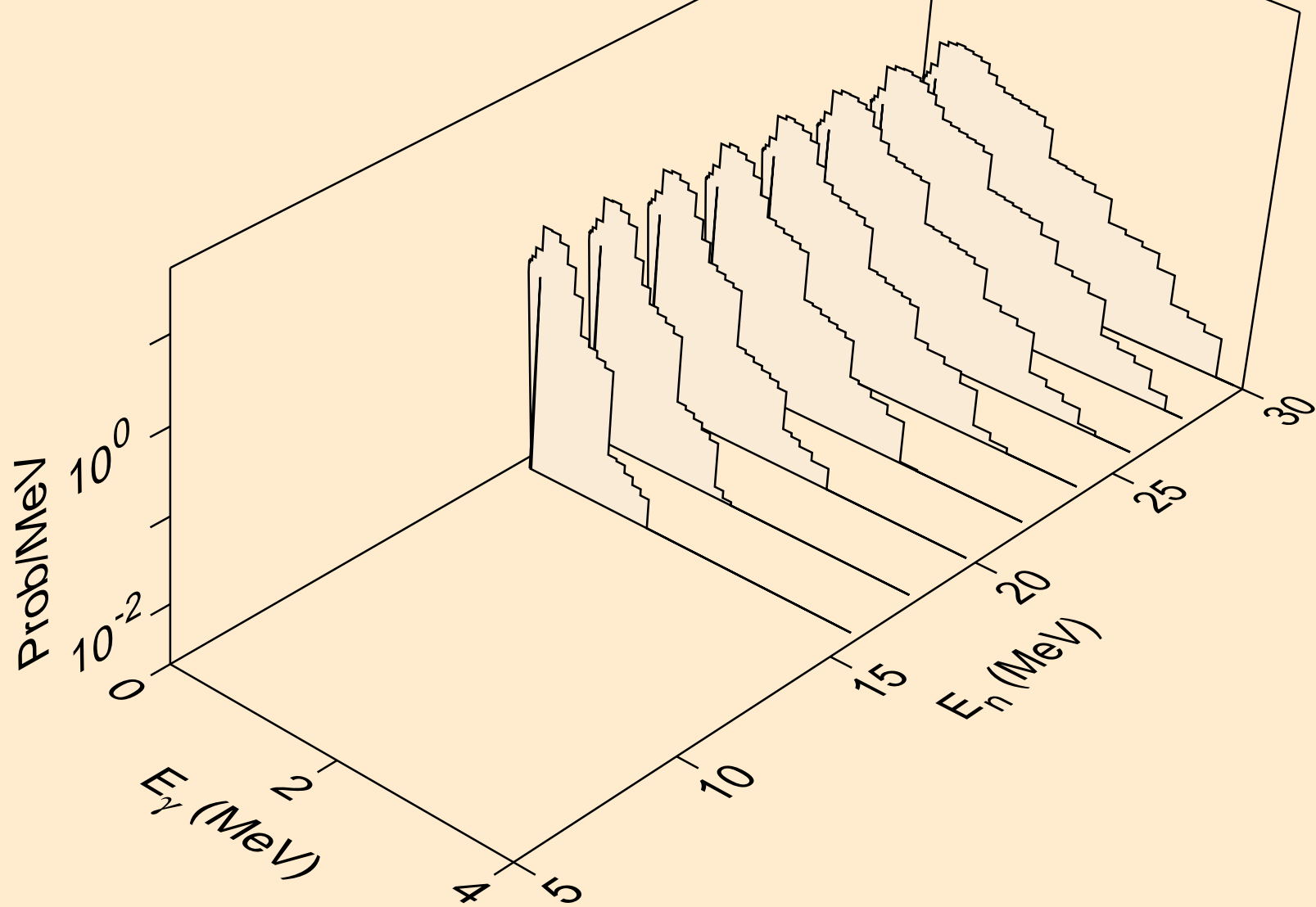
LU185 HELION ACER TENDL-2021 LIBRARY; T=0.K
Photon emission for (n,n*)d



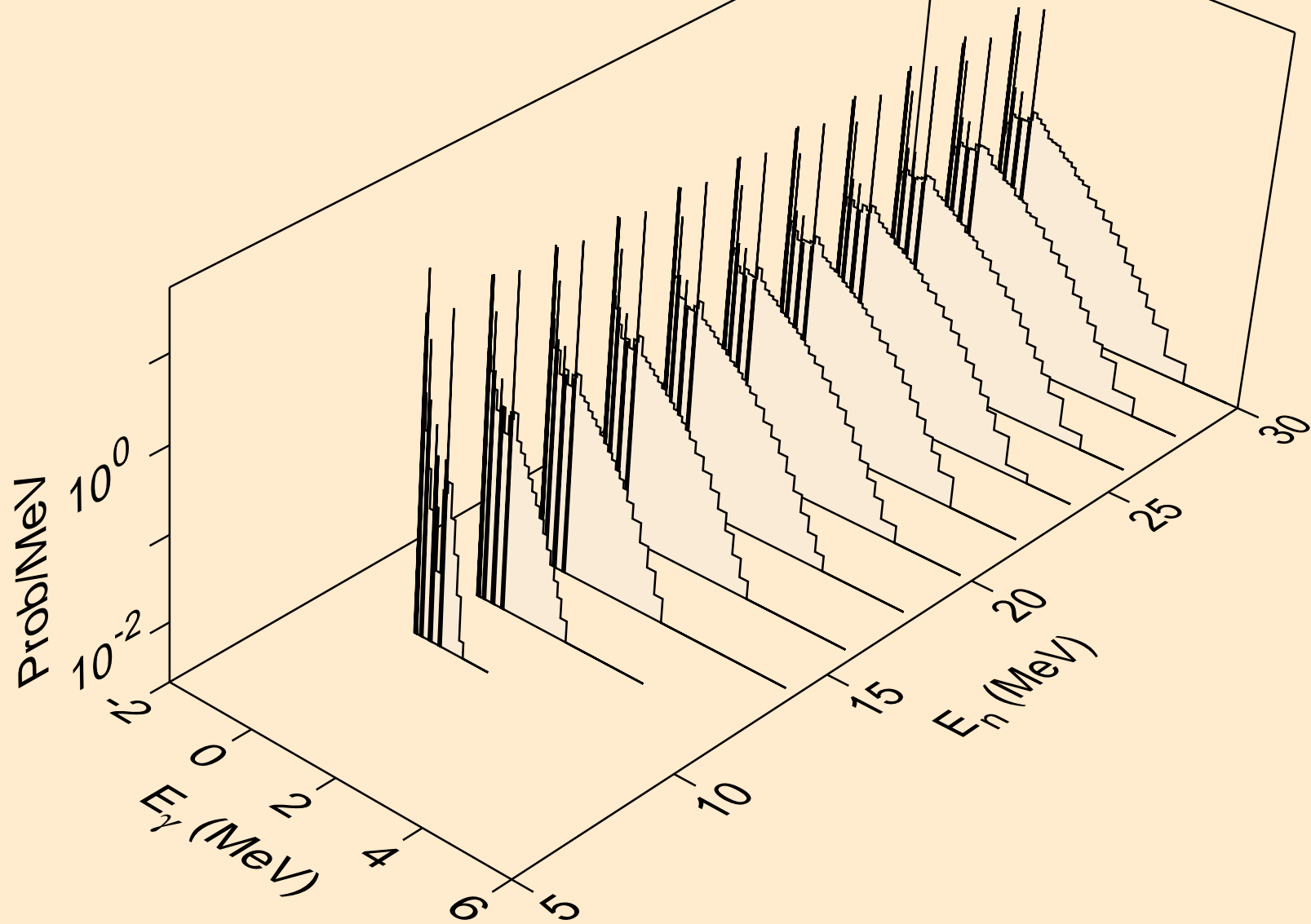
LU185 HELION ACER TENDL-2021 LIBRARY; T=0.K
Photon emission for (n,n*)t



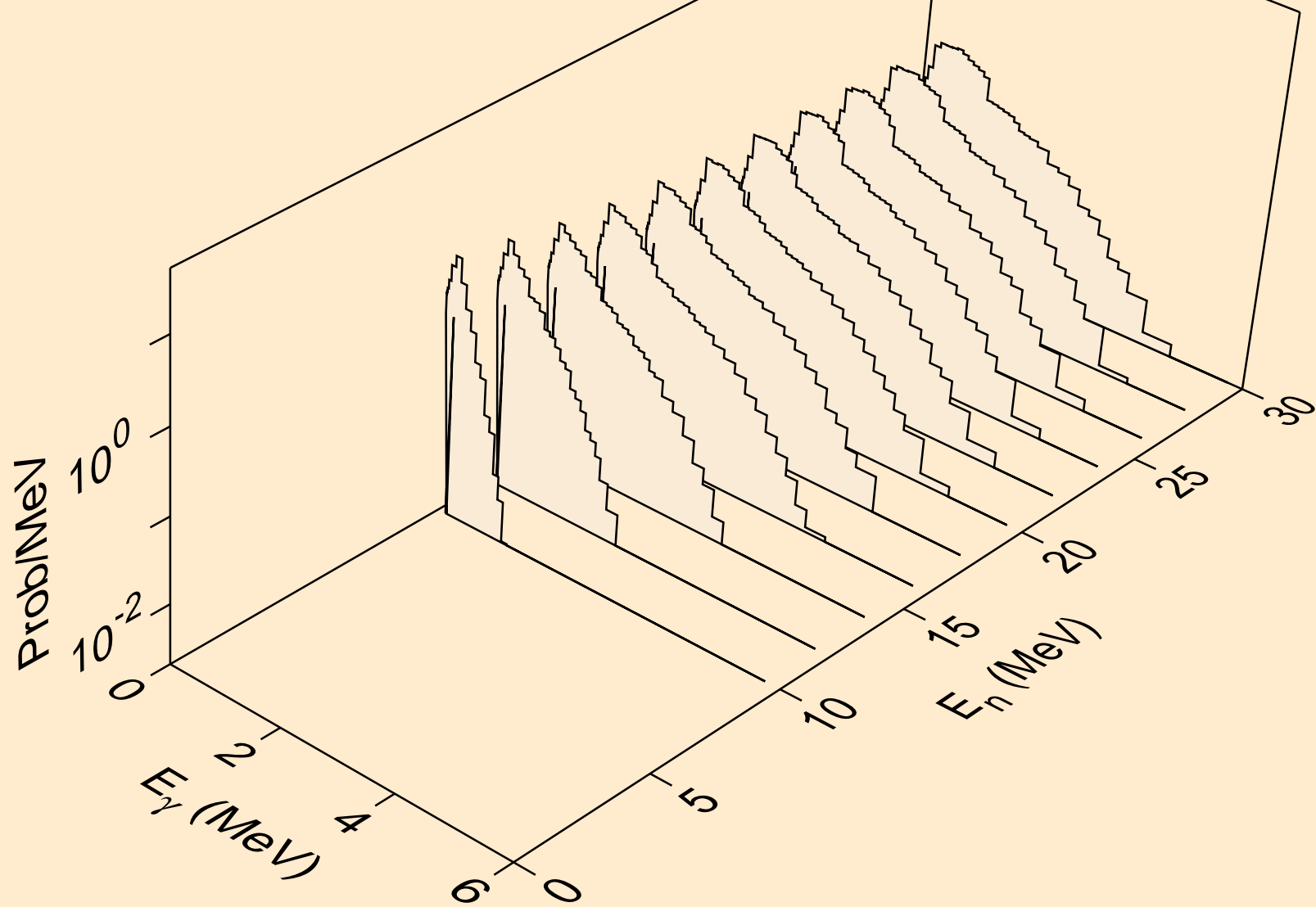
LU185 HELION ACER TENDL-2021 LIBRARY; T=0.K
Photon emission for (n,n*)he3



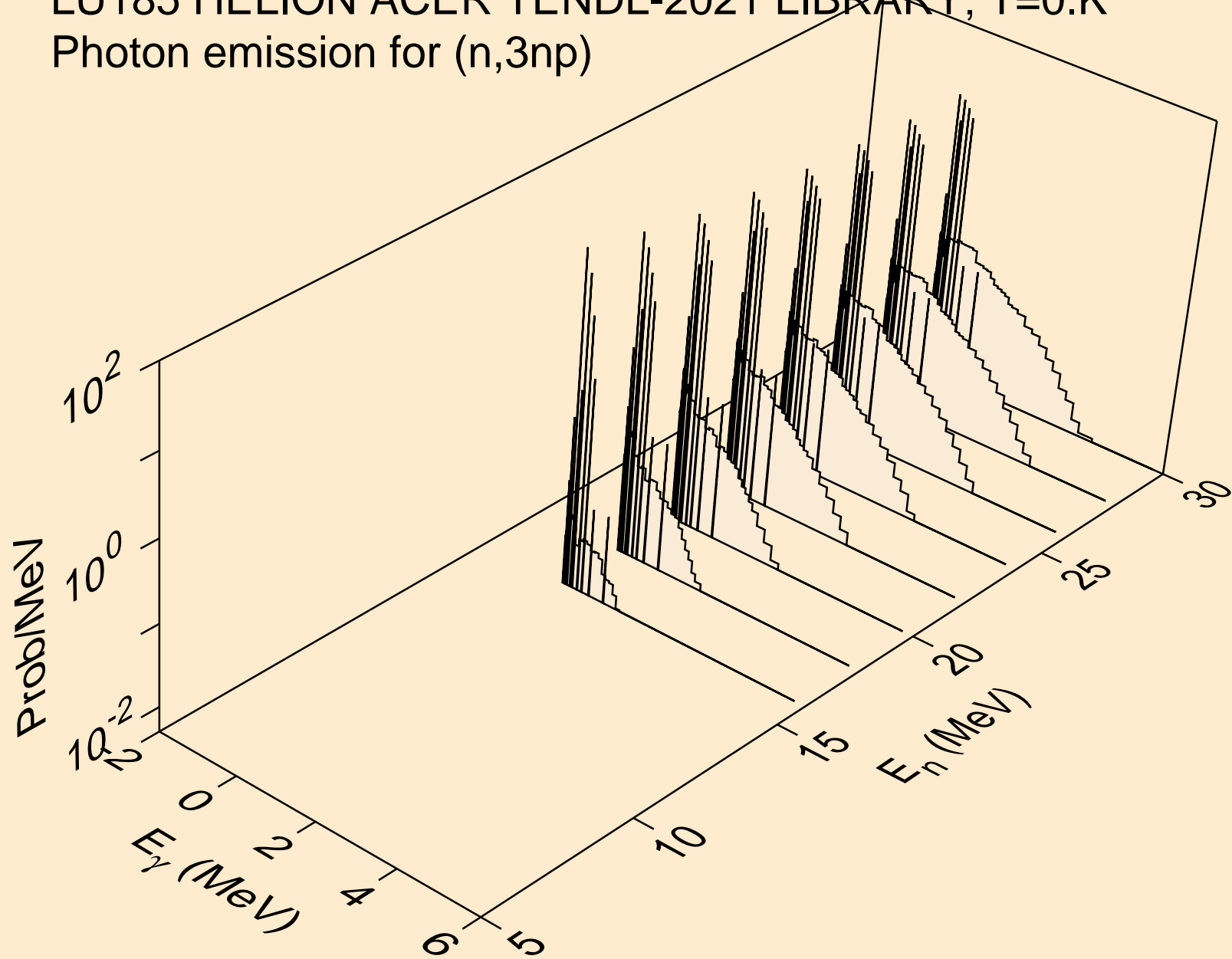
LU185 HELION ACER TENDL-2021 LIBRARY; T=0.K
Photon emission for (n,4n)



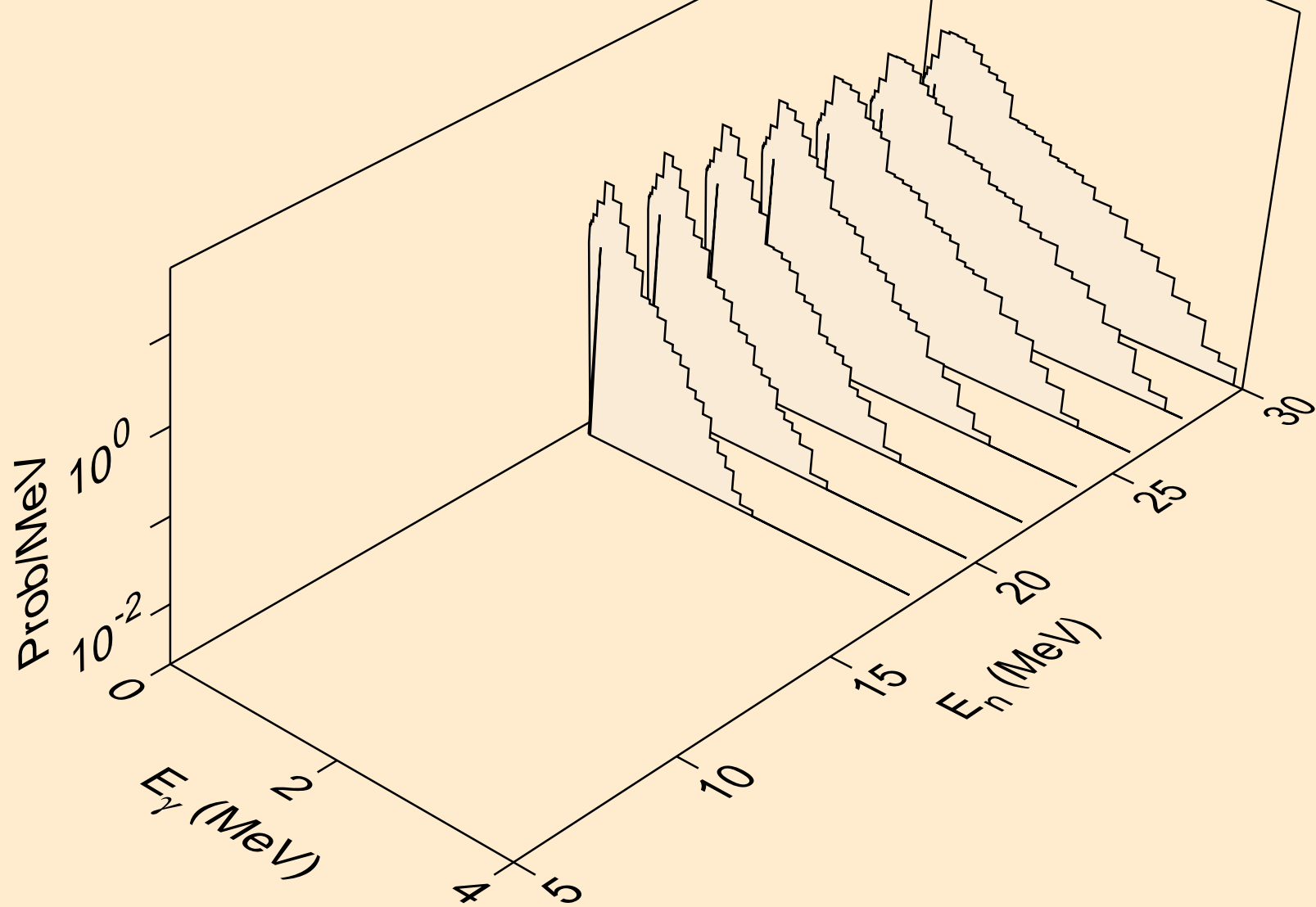
LU185 HELION ACER TENDL-2021 LIBRARY; T=0.K
Photon emission for (n,2np)



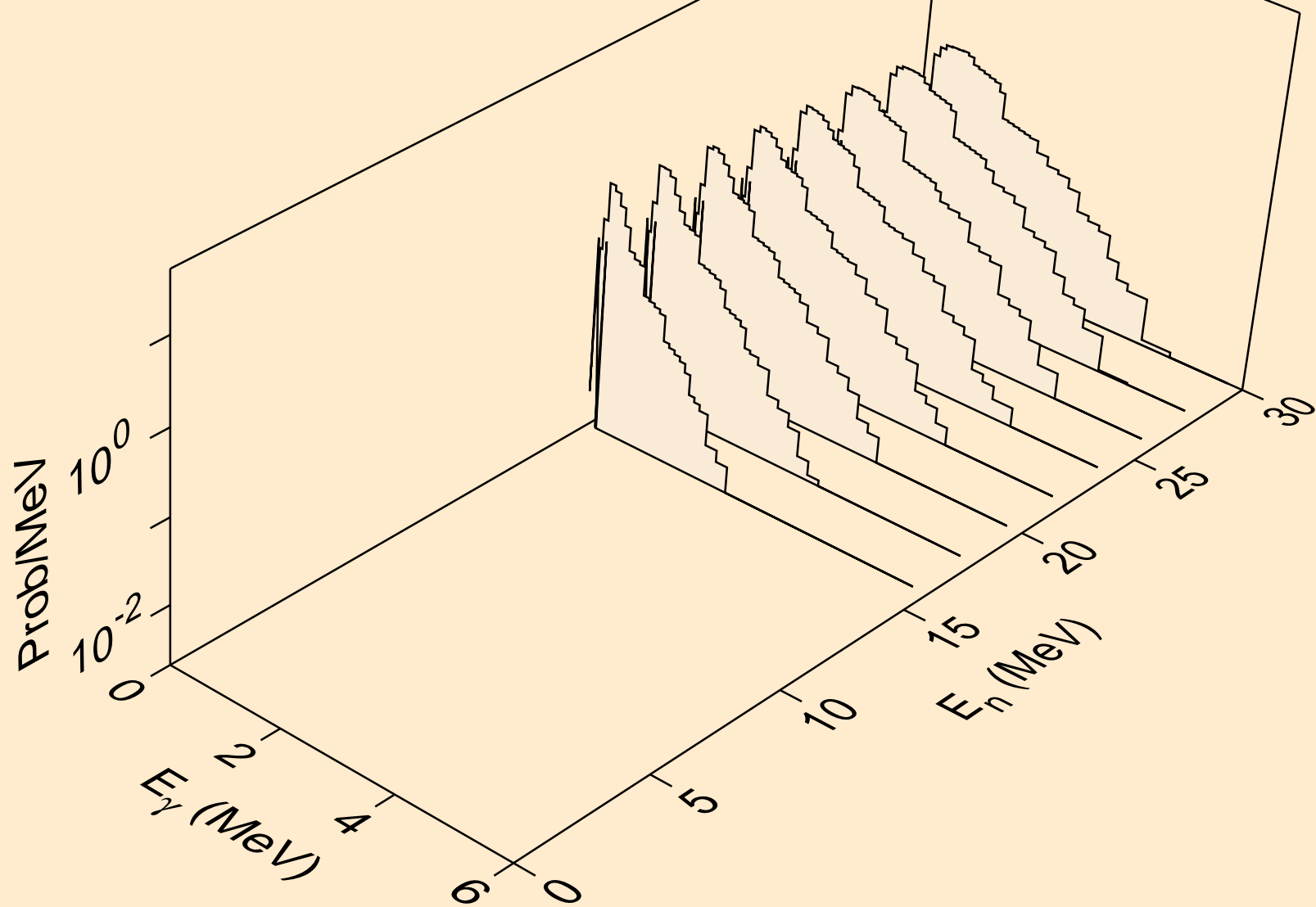
LU185 HELION ACER TENDL-2021 LIBRARY; T=0.K
Photon emission for (n,3np)



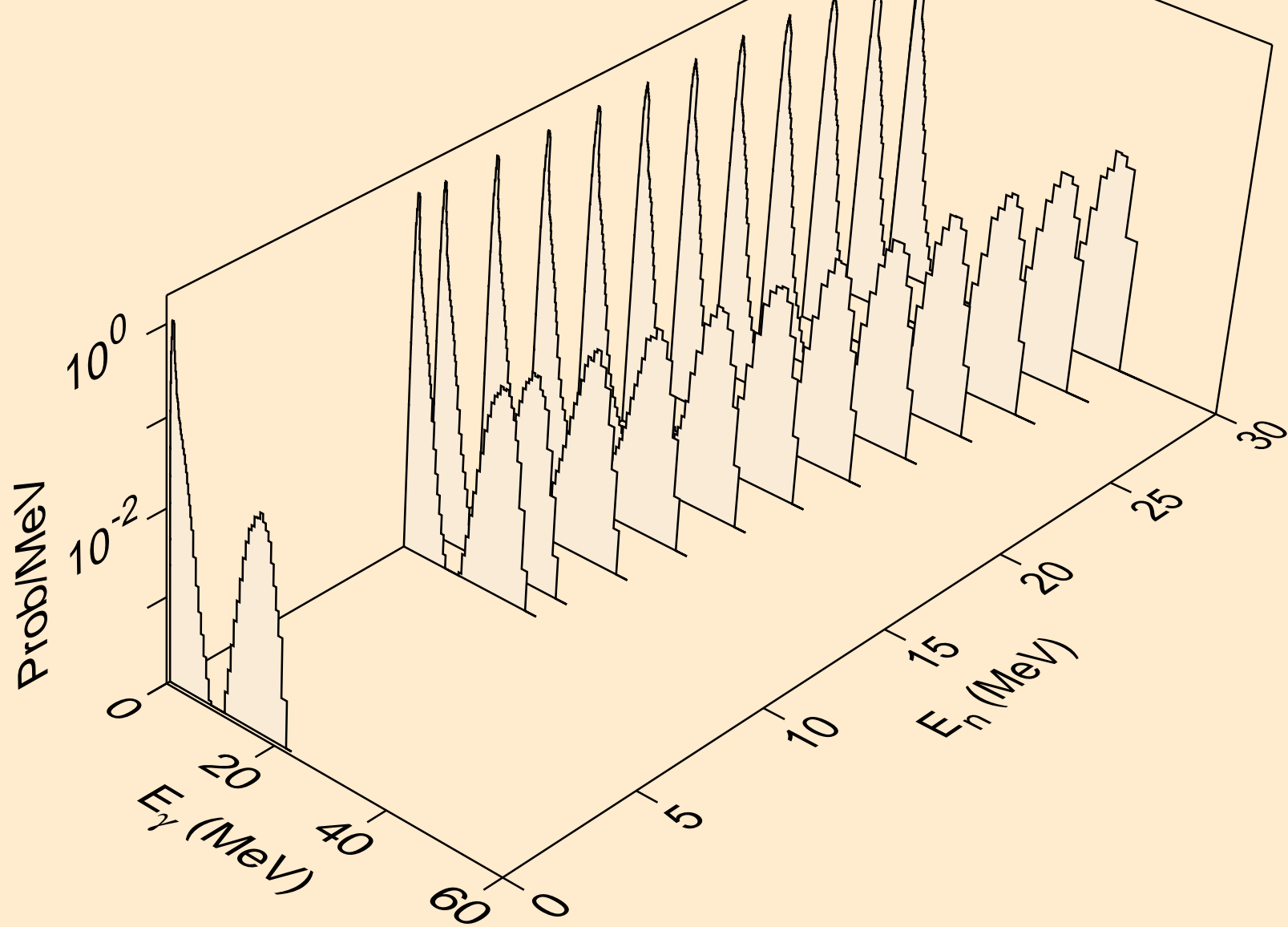
LU185 HELION ACER TENDL-2021 LIBRARY; T=0.K
Photon emission for (n,2np)



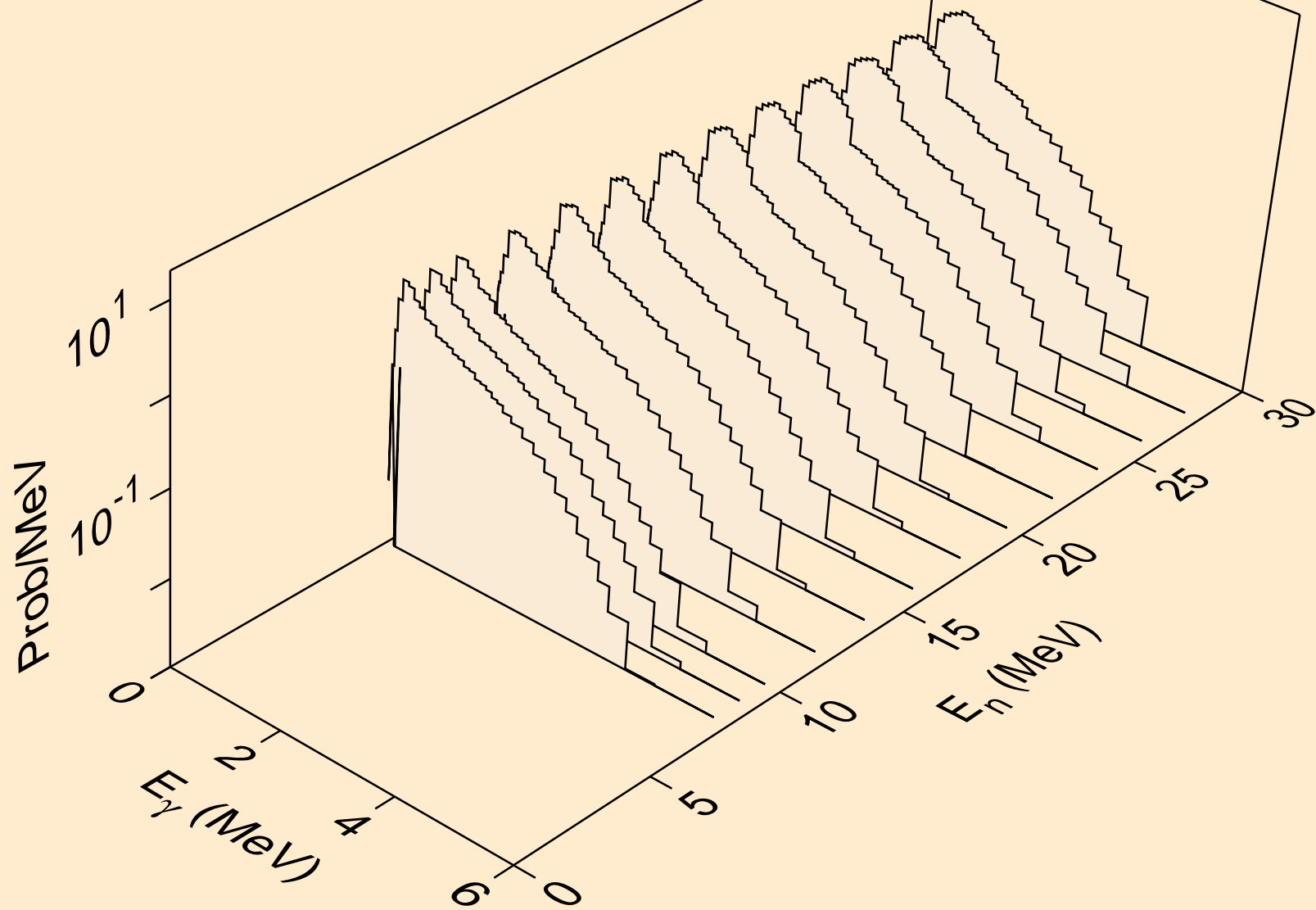
LU185 HELION ACER TENDL-2021 LIBRARY; T=0.K
Photon emission for (n,npa)



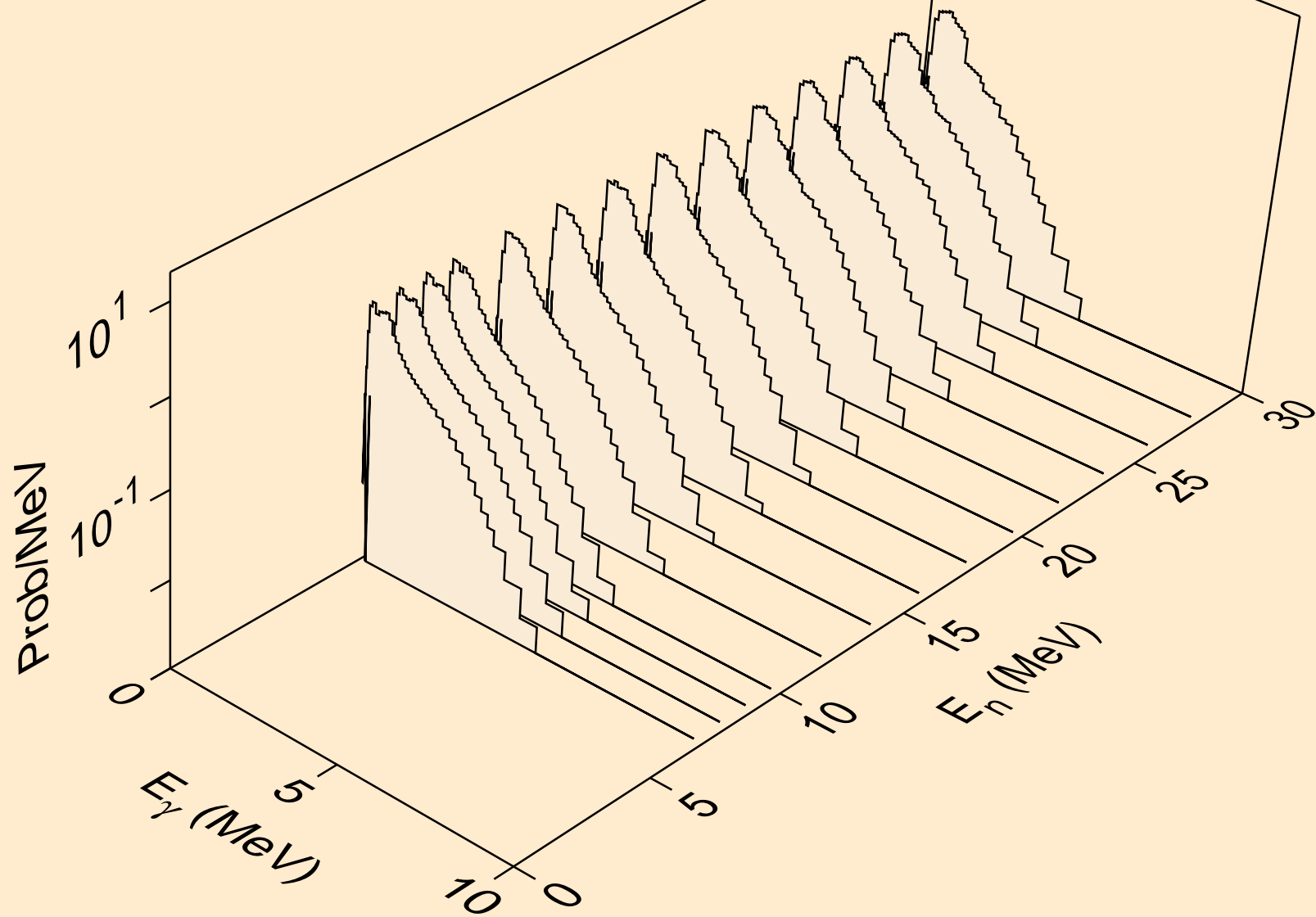
LU185 HELION ACER TENDL-2021 LIBRARY; T=0.K
Photon emission for (n,gma)



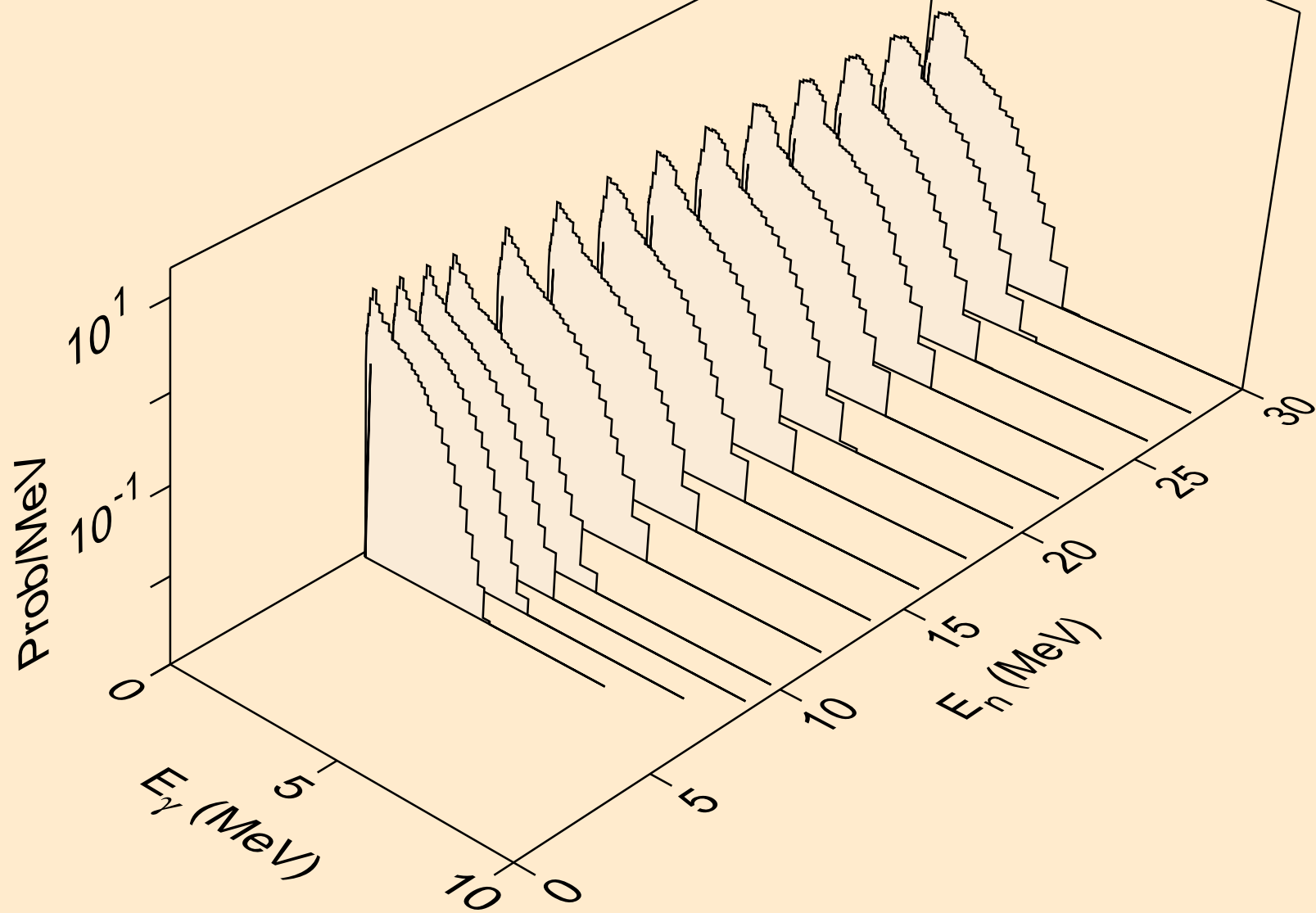
LU185 HELION ACER TENDL-2021 LIBRARY; T=0.K
Photon emission for (n,p)



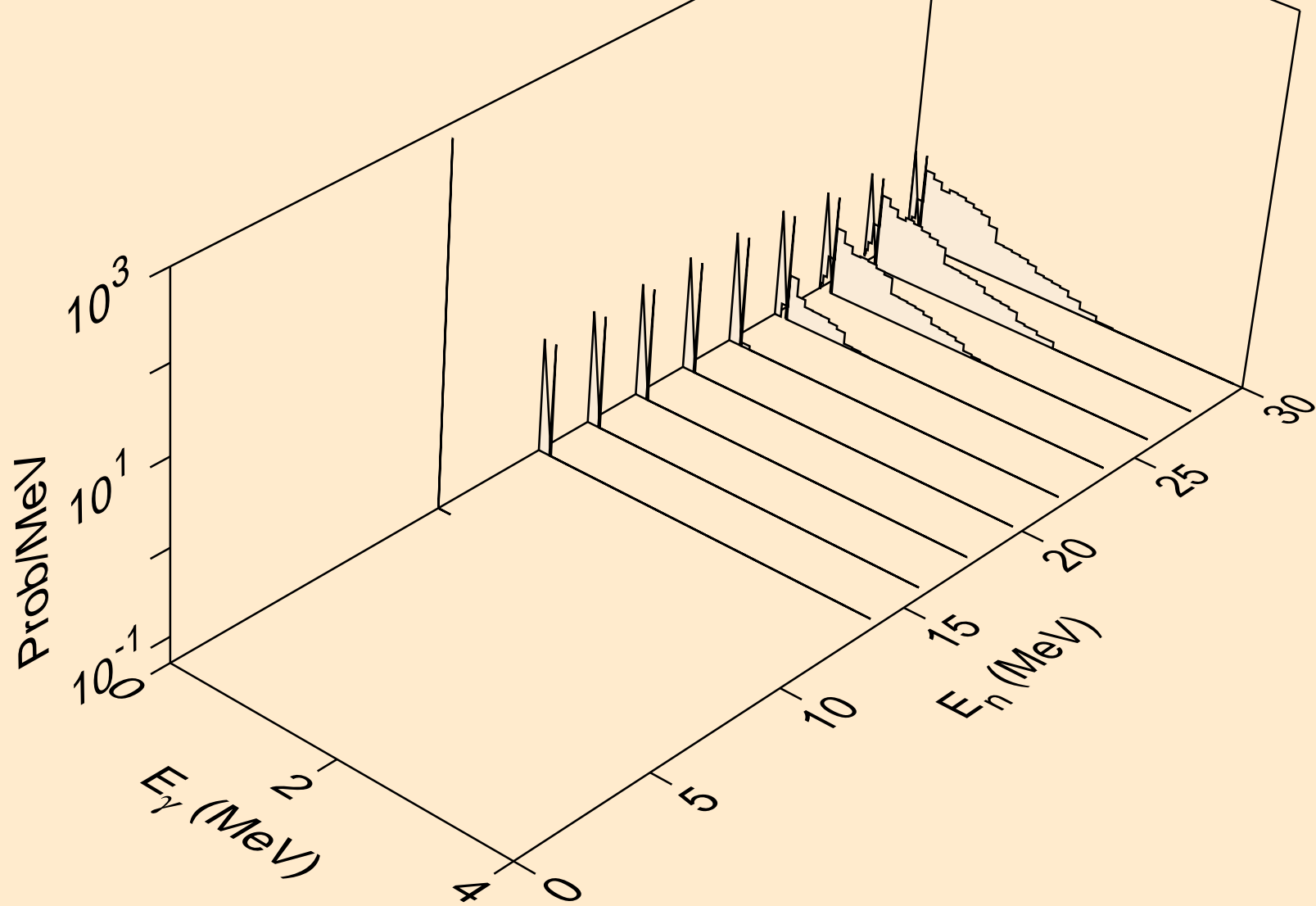
LU185 HELION ACER TENDL-2021 LIBRARY; T=0.K
Photon emission for (n,d)



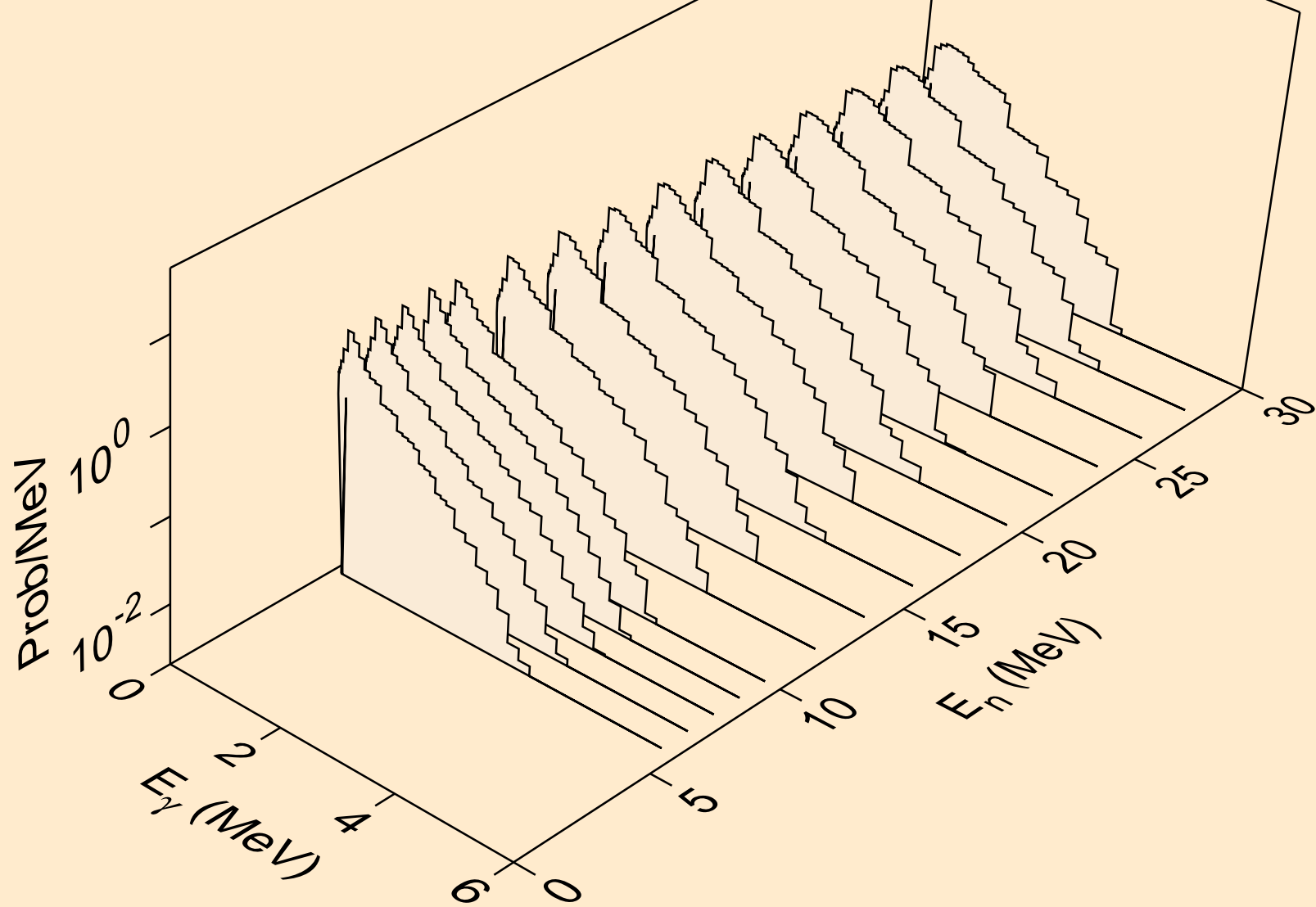
LU185 HELION ACER TENDL-2021 LIBRARY; T=0.K
Photon emission for (n,t)



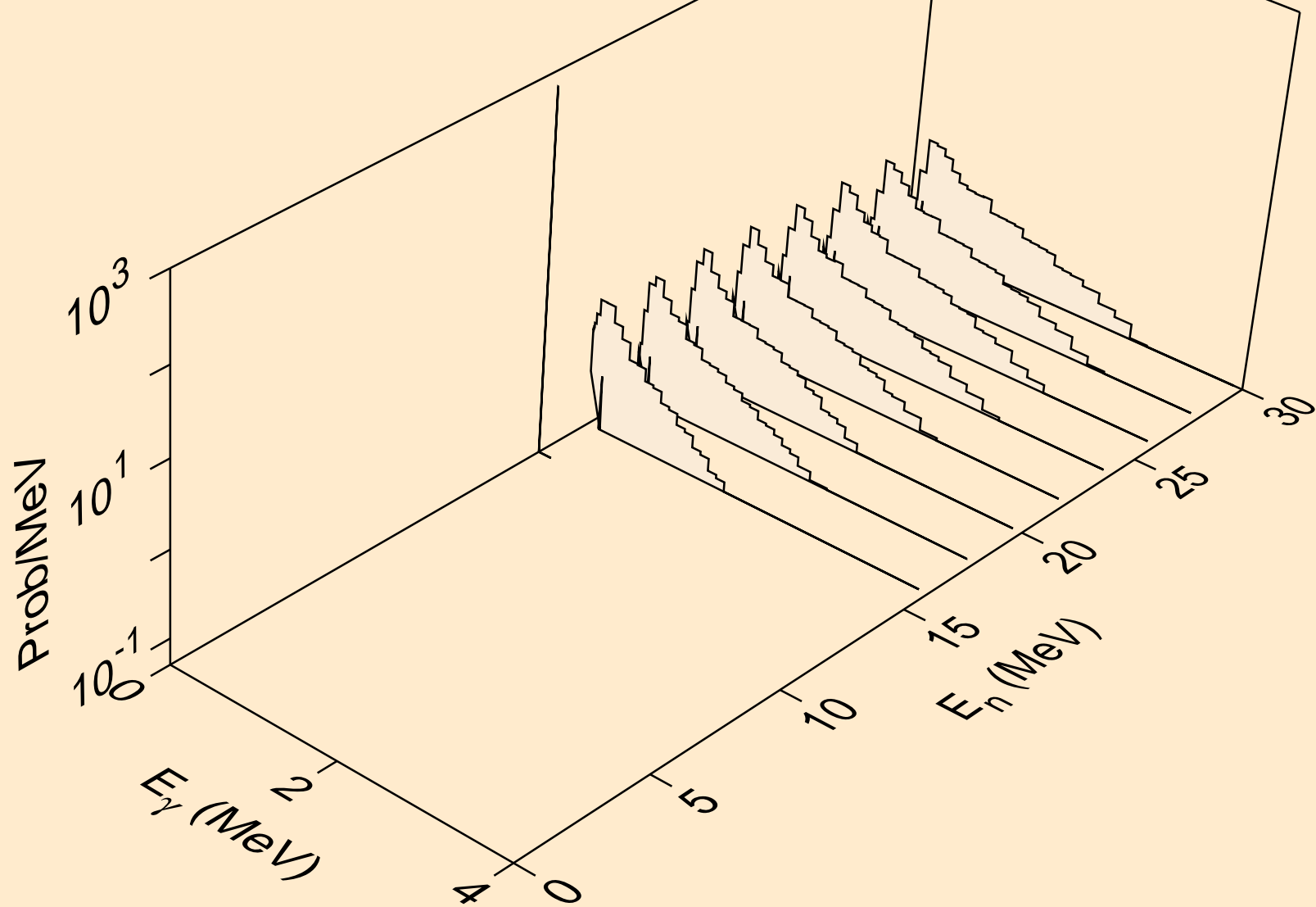
LU185 HELION ACER TENDL-2021 LIBRARY; T=0.K
Photon emission for inelastic



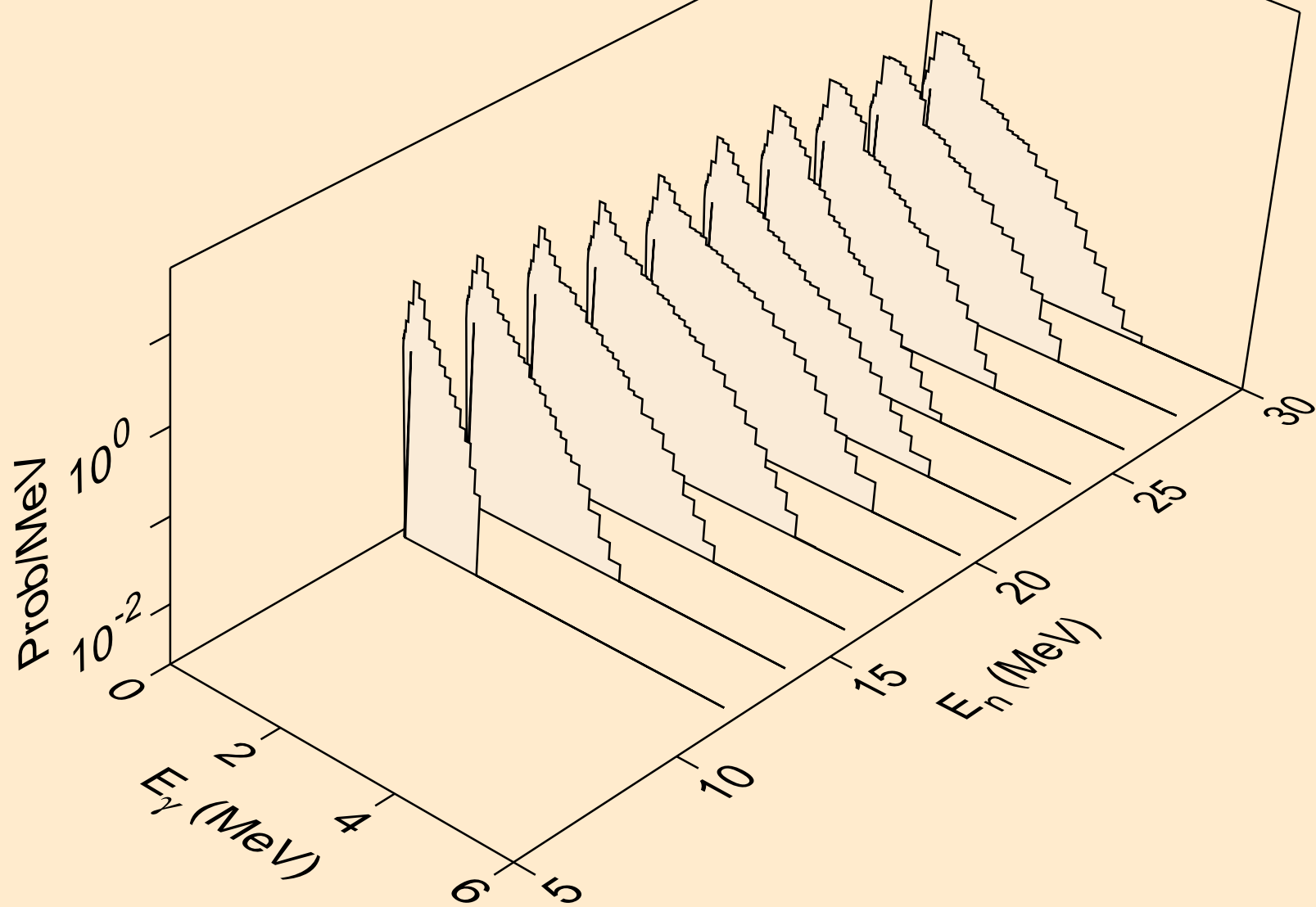
LU185 HELION ACER TENDL-2021 LIBRARY; T=0.K
Photon emission for (n,a)



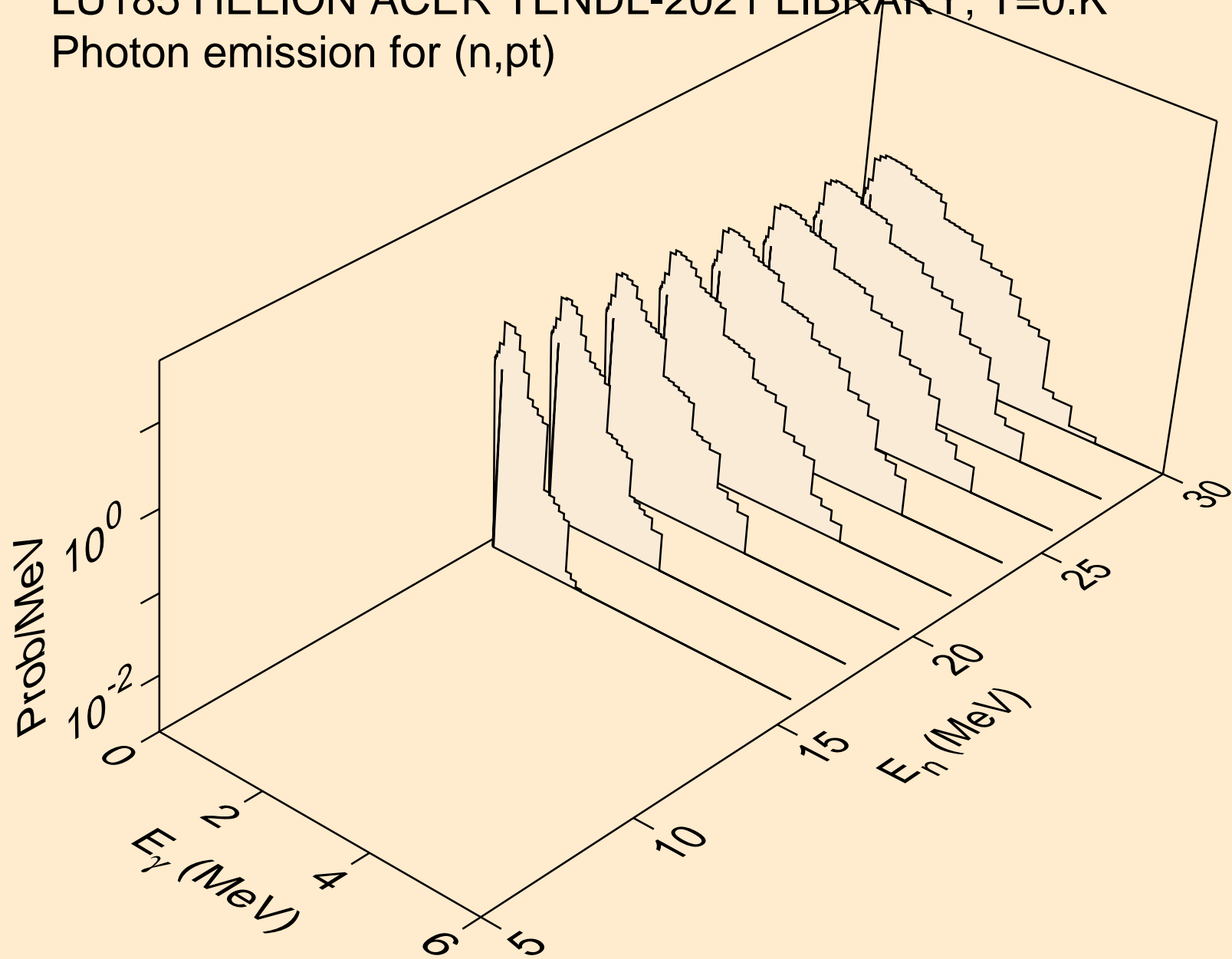
LU185 HELION ACER TENDL-2021 LIBRARY; T=0.K
Photon emission for (n,2p)



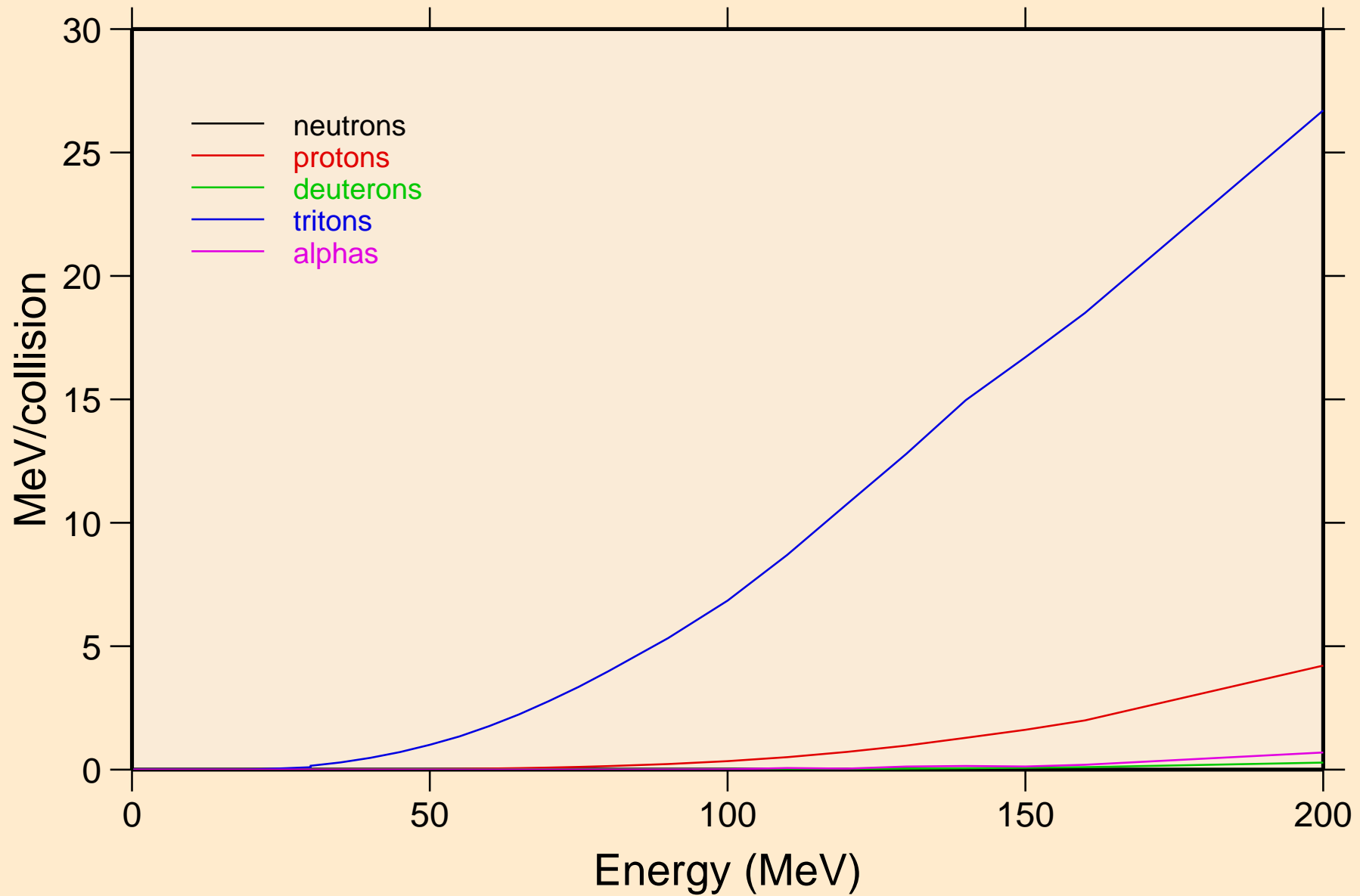
LU185 HELION ACER TENDL-2021 LIBRARY; T=0.K
Photon emission for (n,pd)



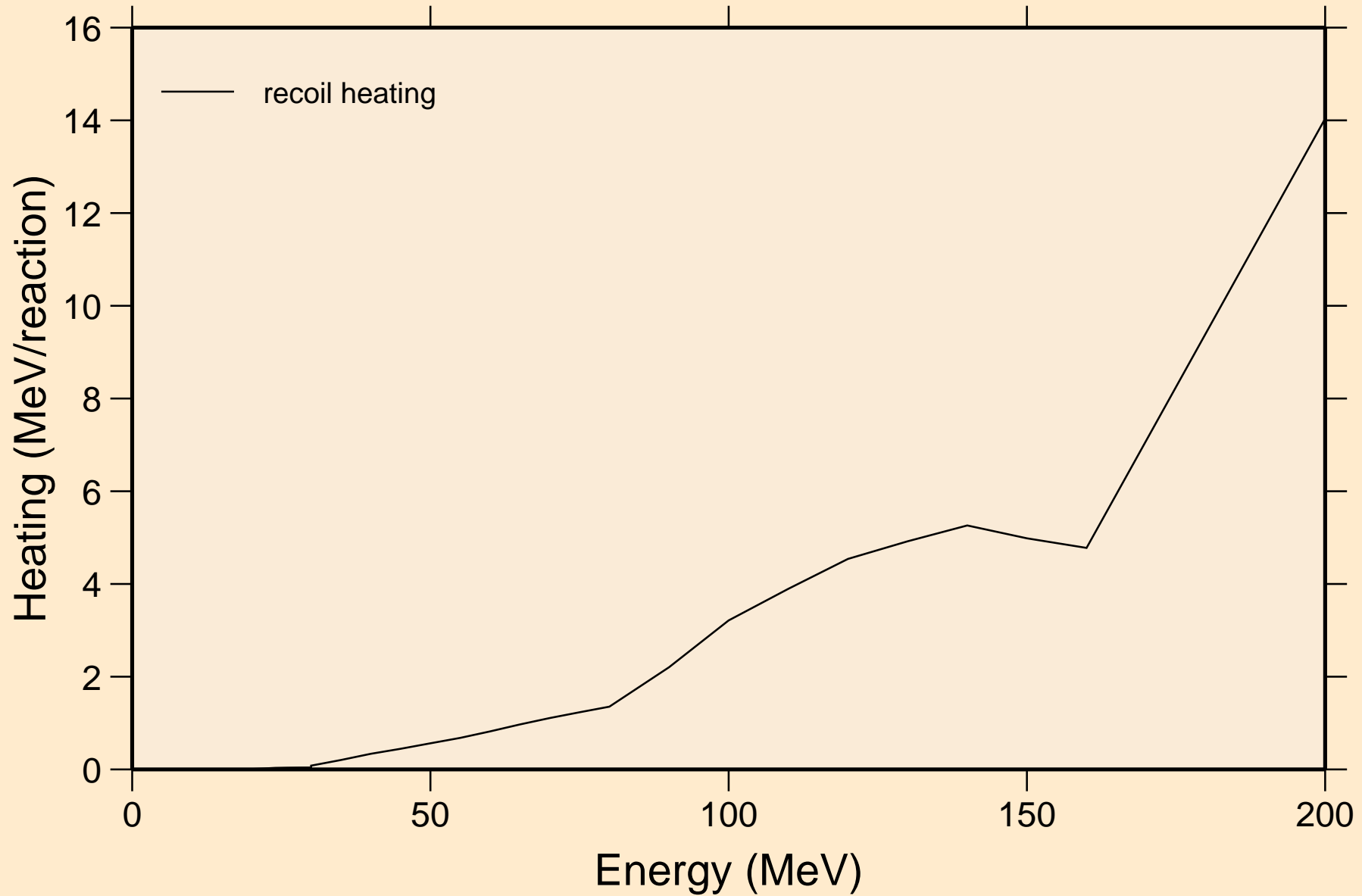
LU185 HELION ACER TENDL-2021 LIBRARY; T=0.K
Photon emission for (n,pt)



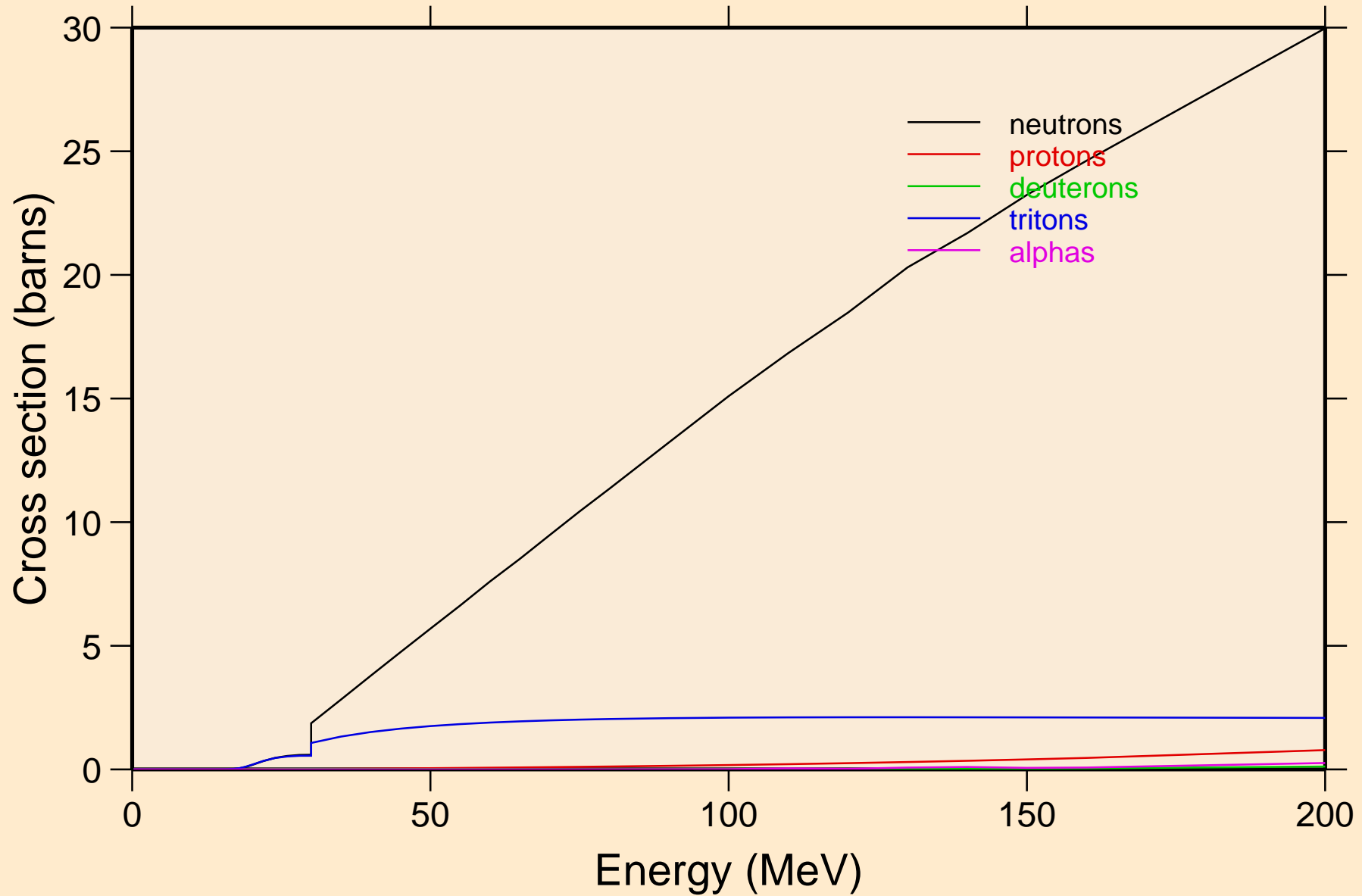
LU185 HELION ACER TENDL-2021 LIBRARY; T=0.K
Particle heating contributions



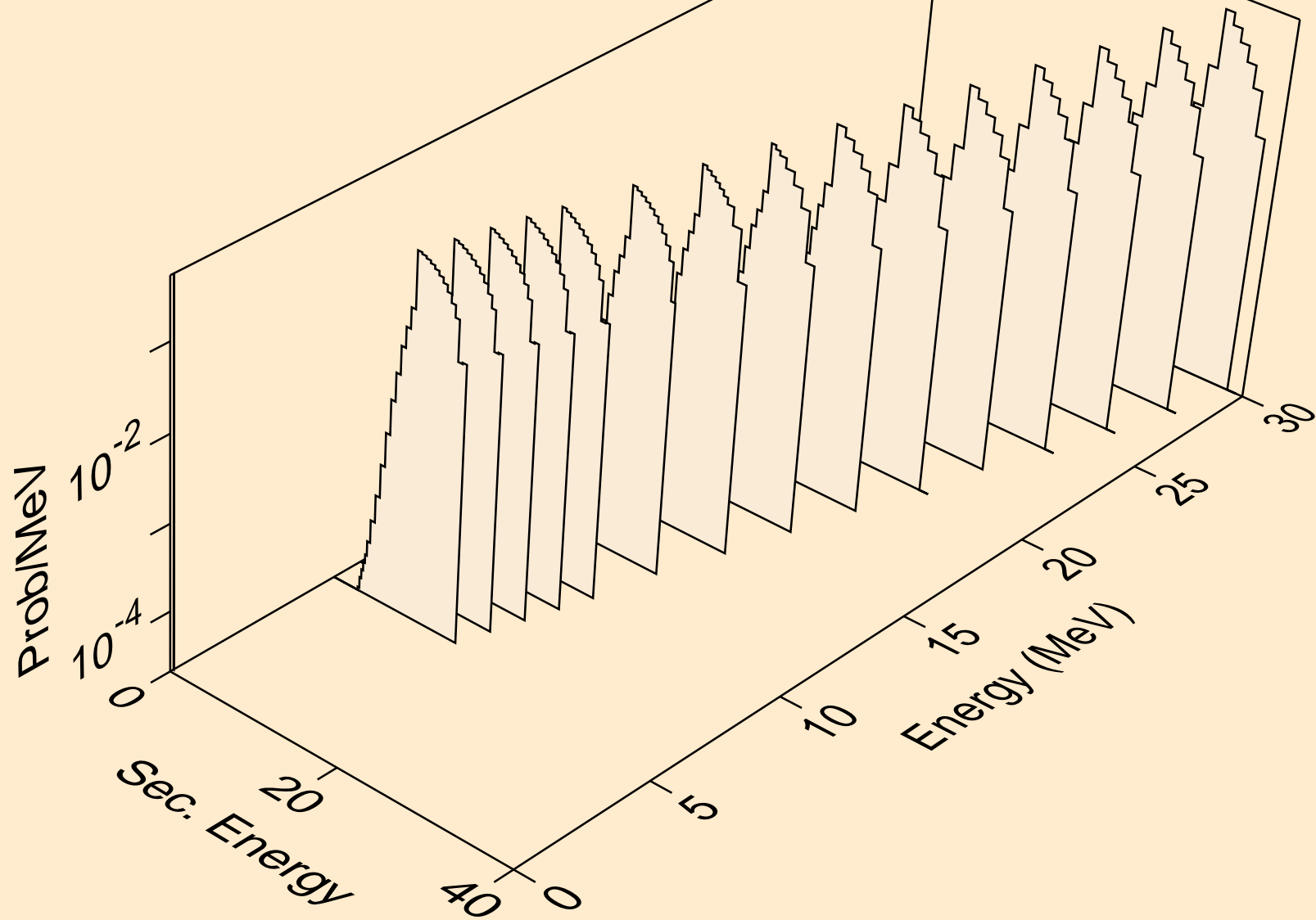
LU185 HELION ACER TENDL-2021 LIBRARY; T=0.K
Recoil Heating



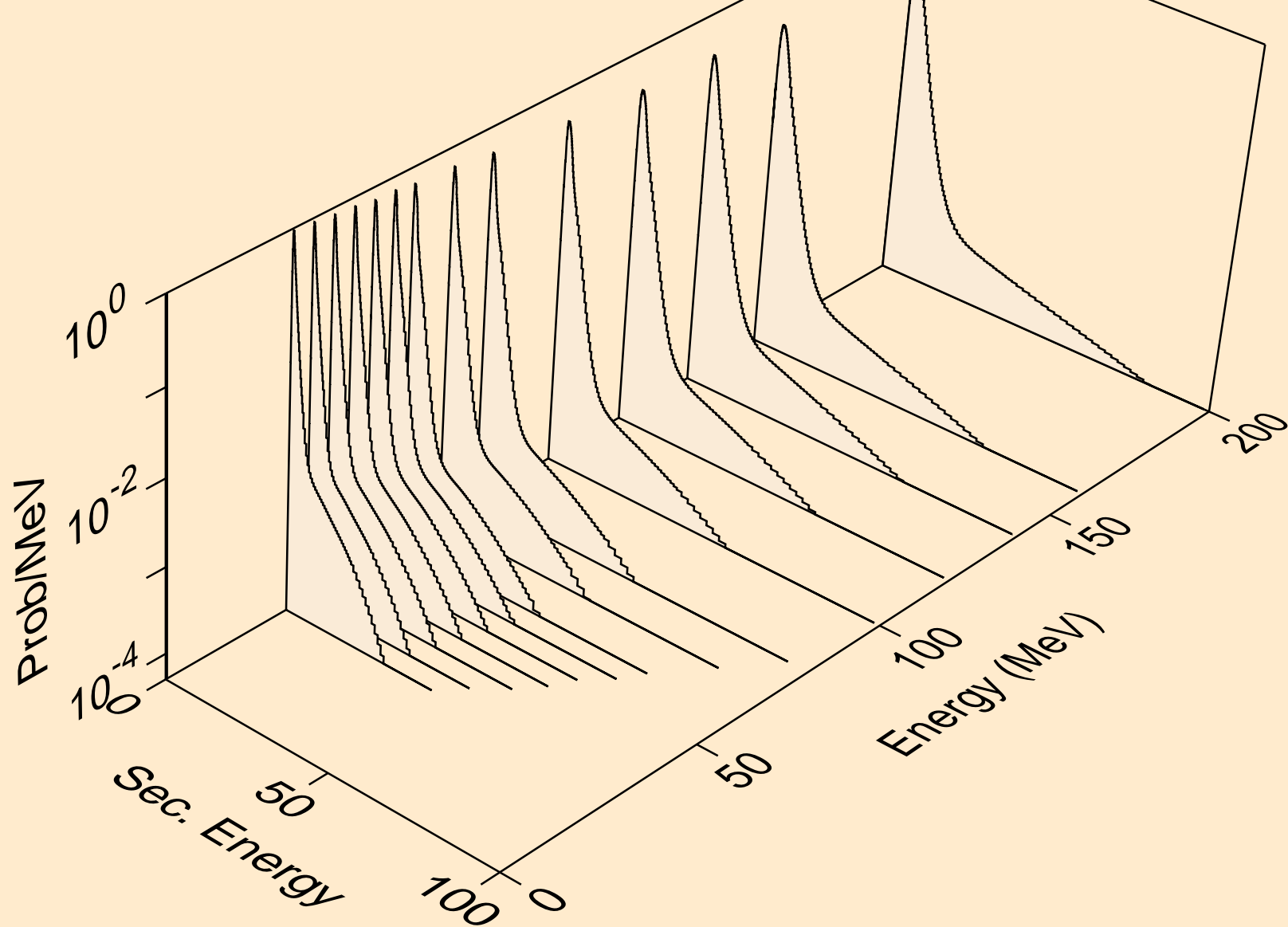
LU185 HELION ACER TENDL-2021 LIBRARY; T=0.K
Particle production cross sections



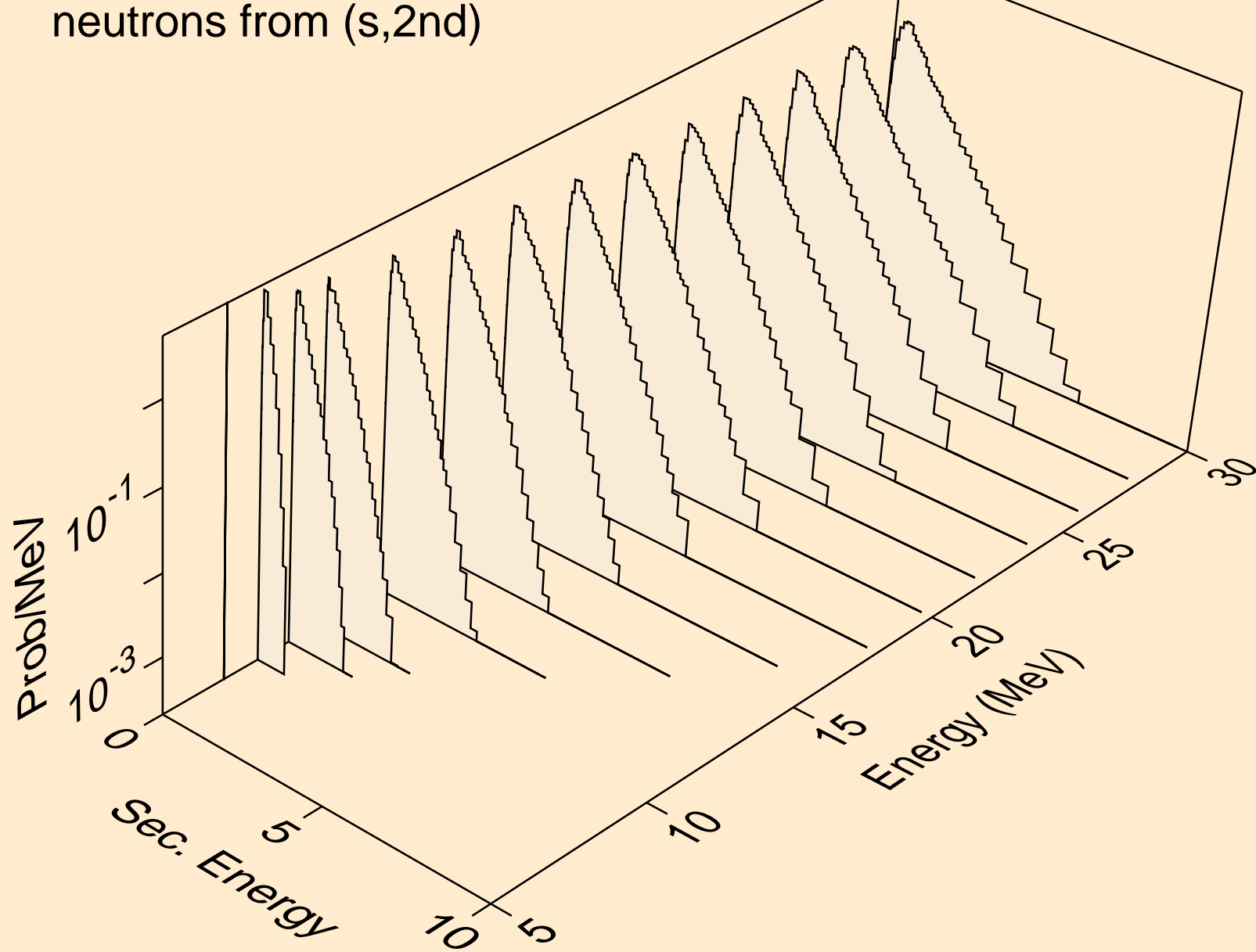
LU185 HELION ACER TENDL-2021 LIBRARY; T=0.K
neutrons from (s,n)



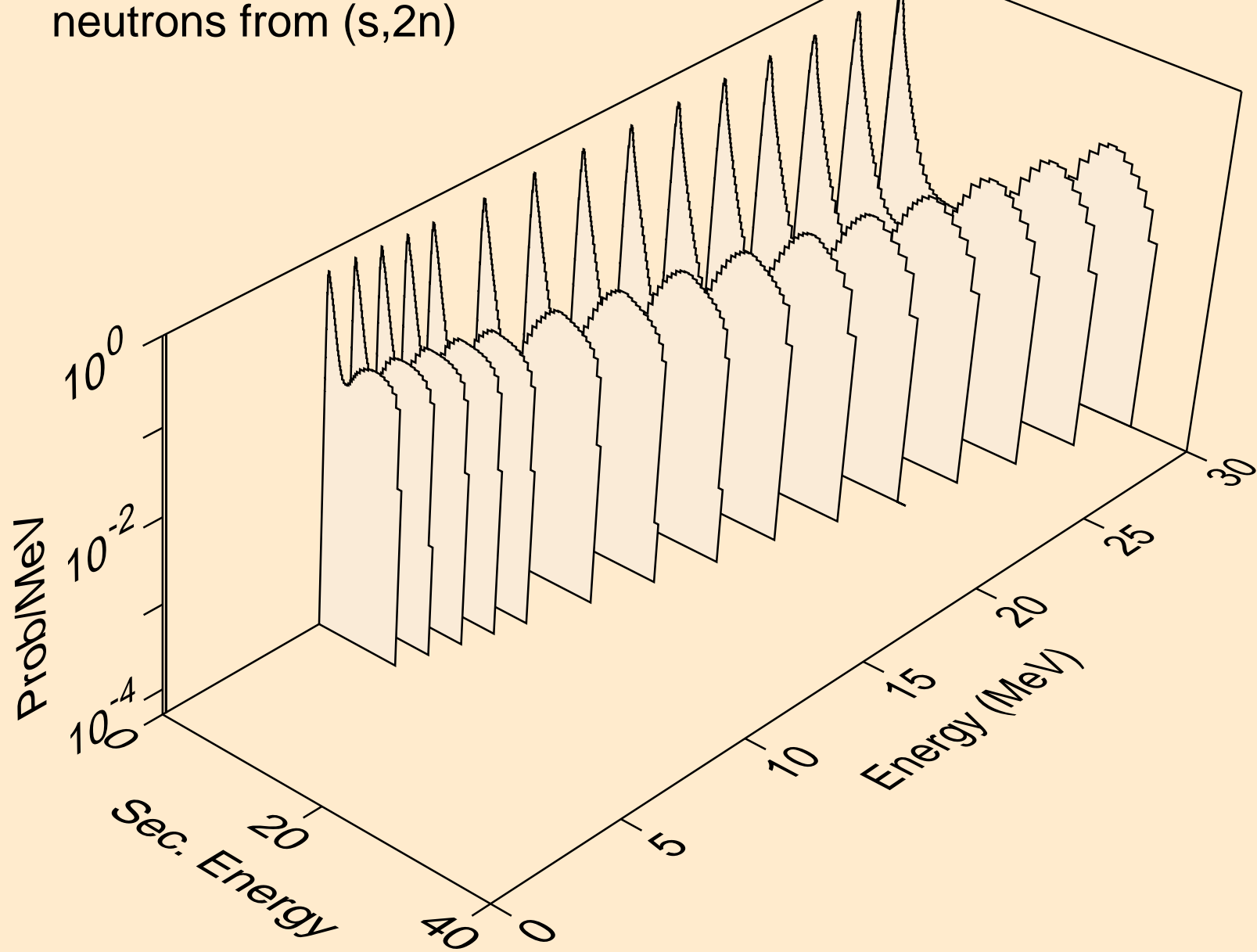
LU185 HELION ACER TENDL-2021 LIBRARY; T=0.K
neutrons from (s,x)



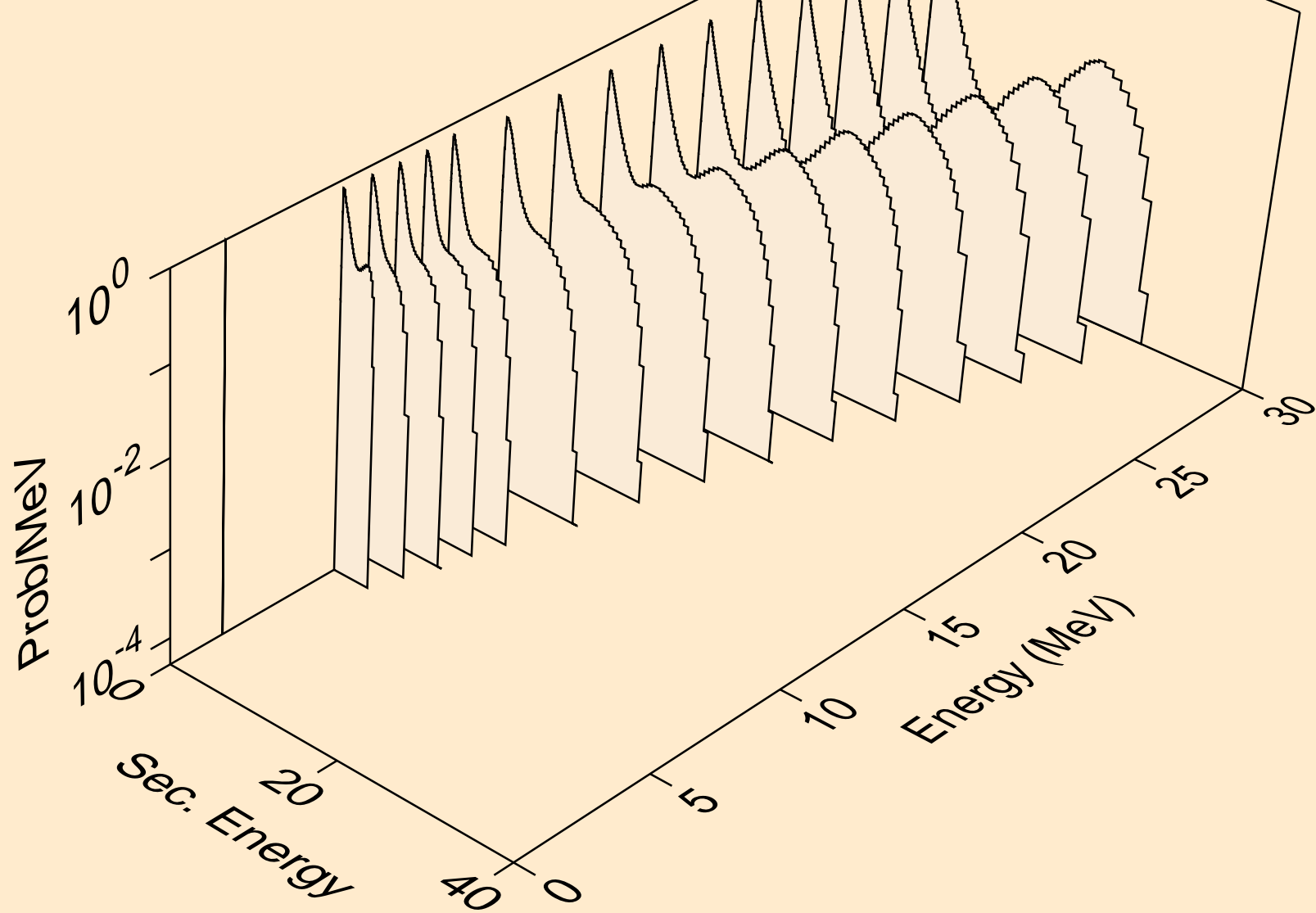
LU185 HELION ACER TENDL-2021 LIBRARY; T=0.K
neutrons from (s,2nd)



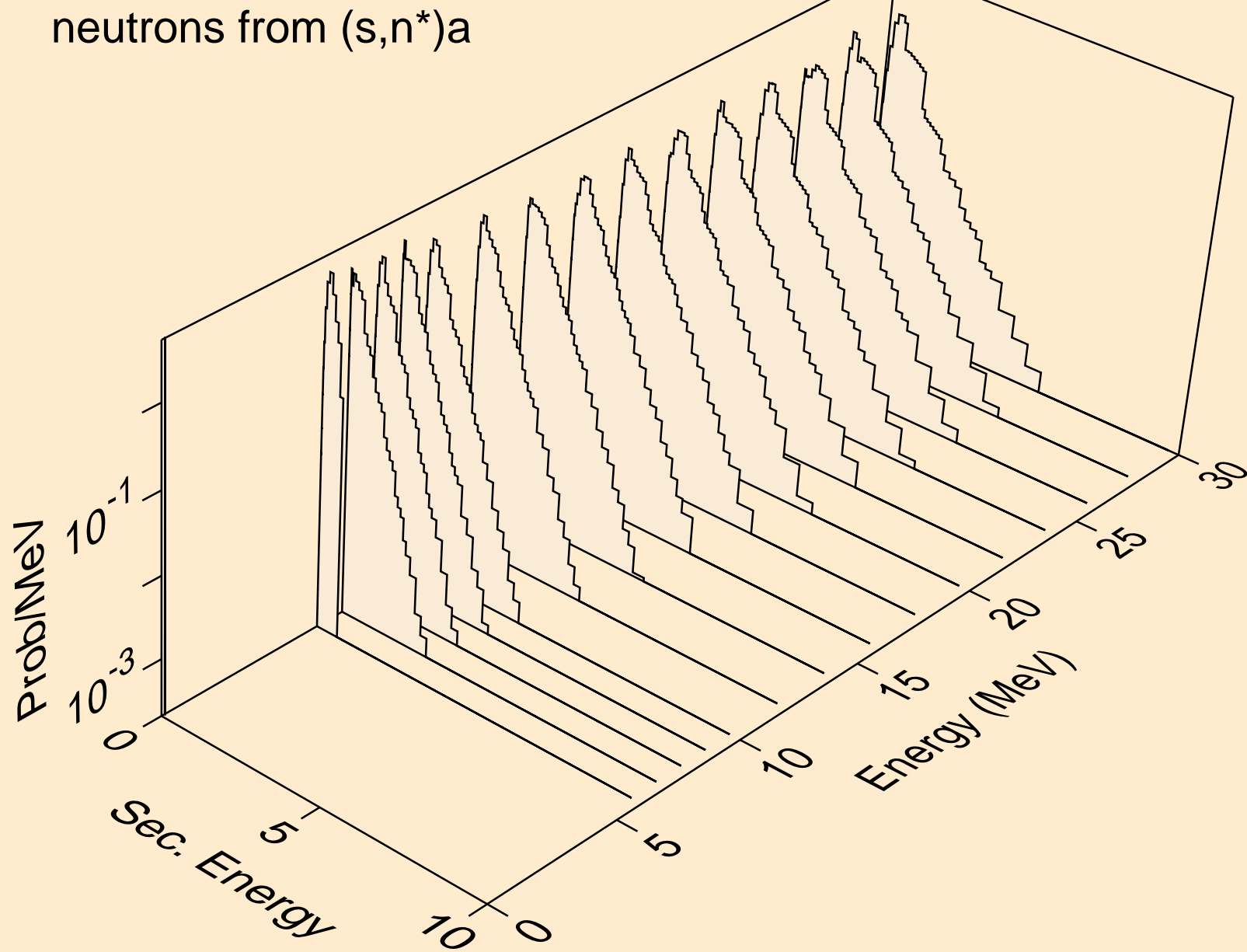
LU185 HELION ACER TENDL-2021 LIBRARY; T=0.K
neutrons from (s,2n)



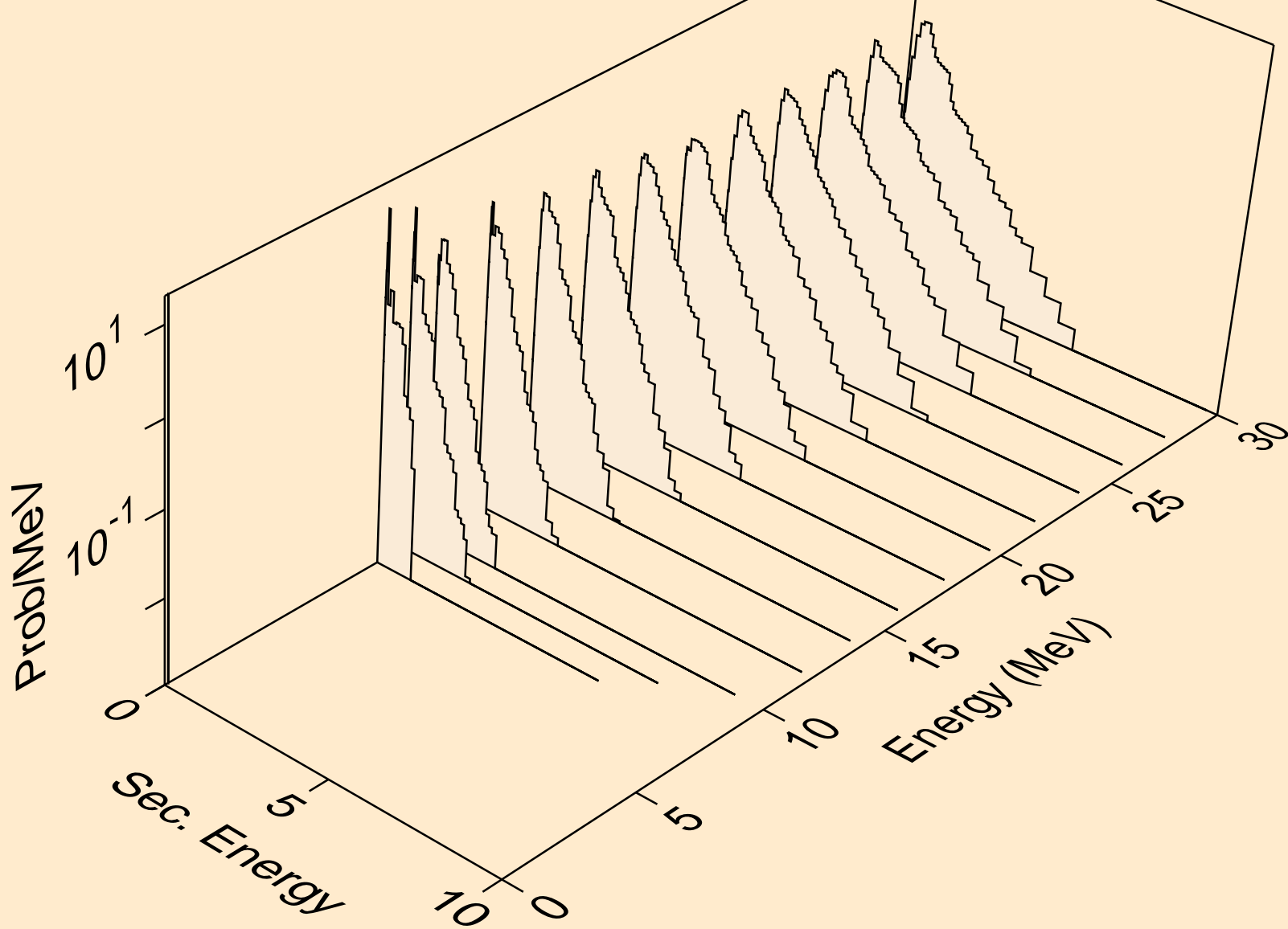
LU185 HELION ACER TENDL-2021 LIBRARY; T=0.K
neutrons from (s,3n)



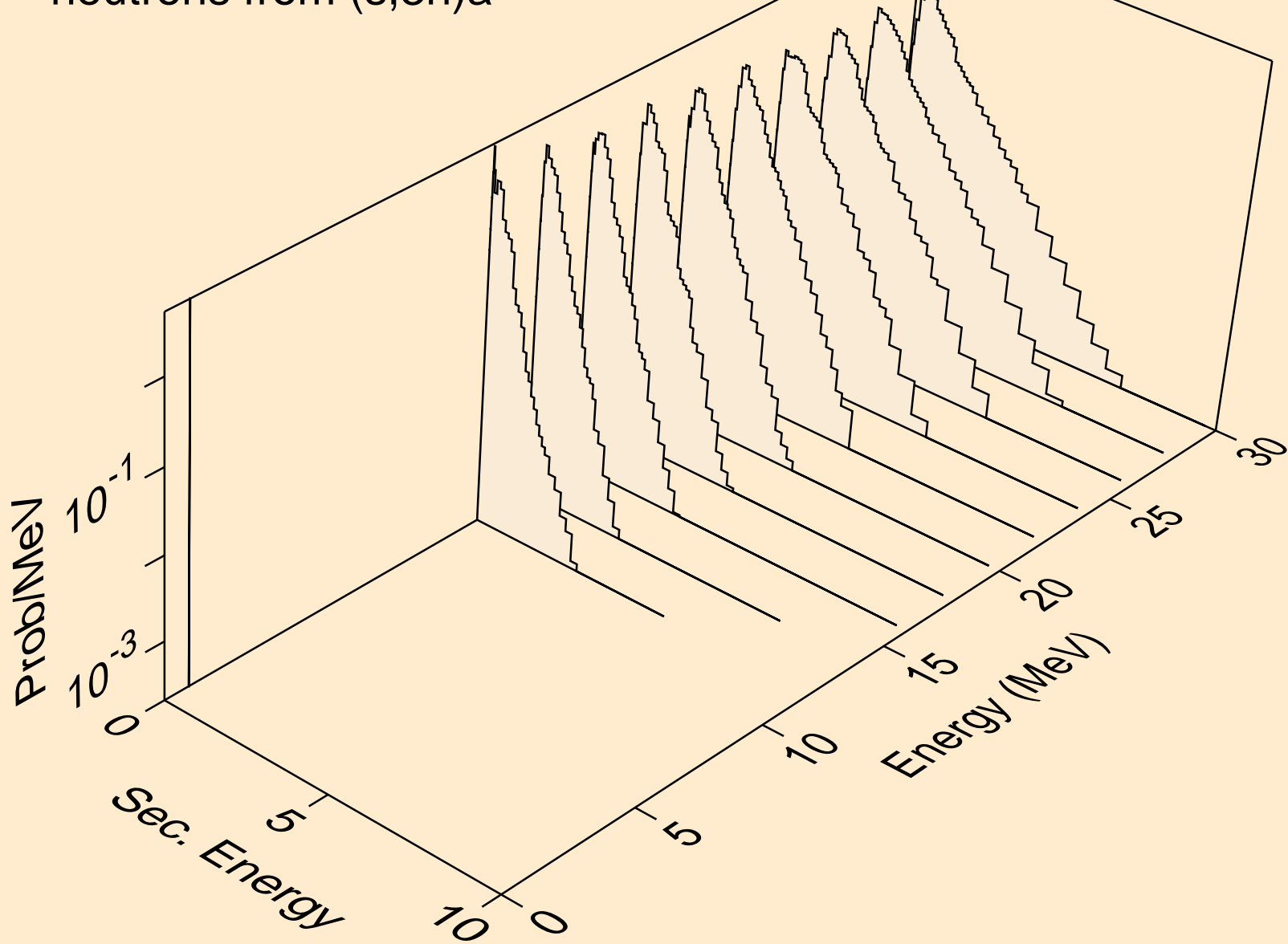
LU185 HELION ACER TENDL-2021 LIBRARY; T=0.K
neutrons from (s,n*)a



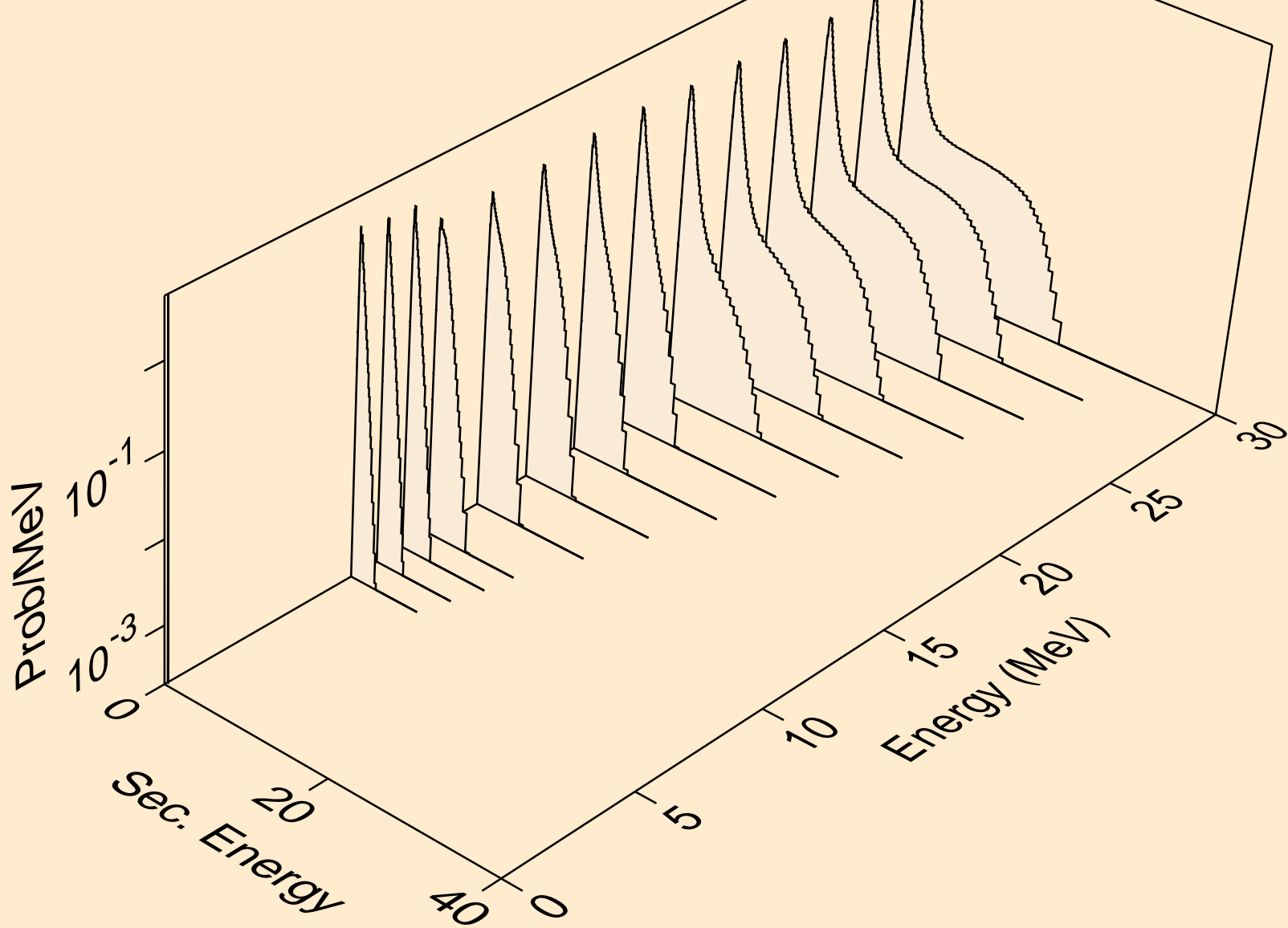
LU185 HELION ACER TENDL-2021 LIBRARY; T=0.K
neutrons from (s,2n)a



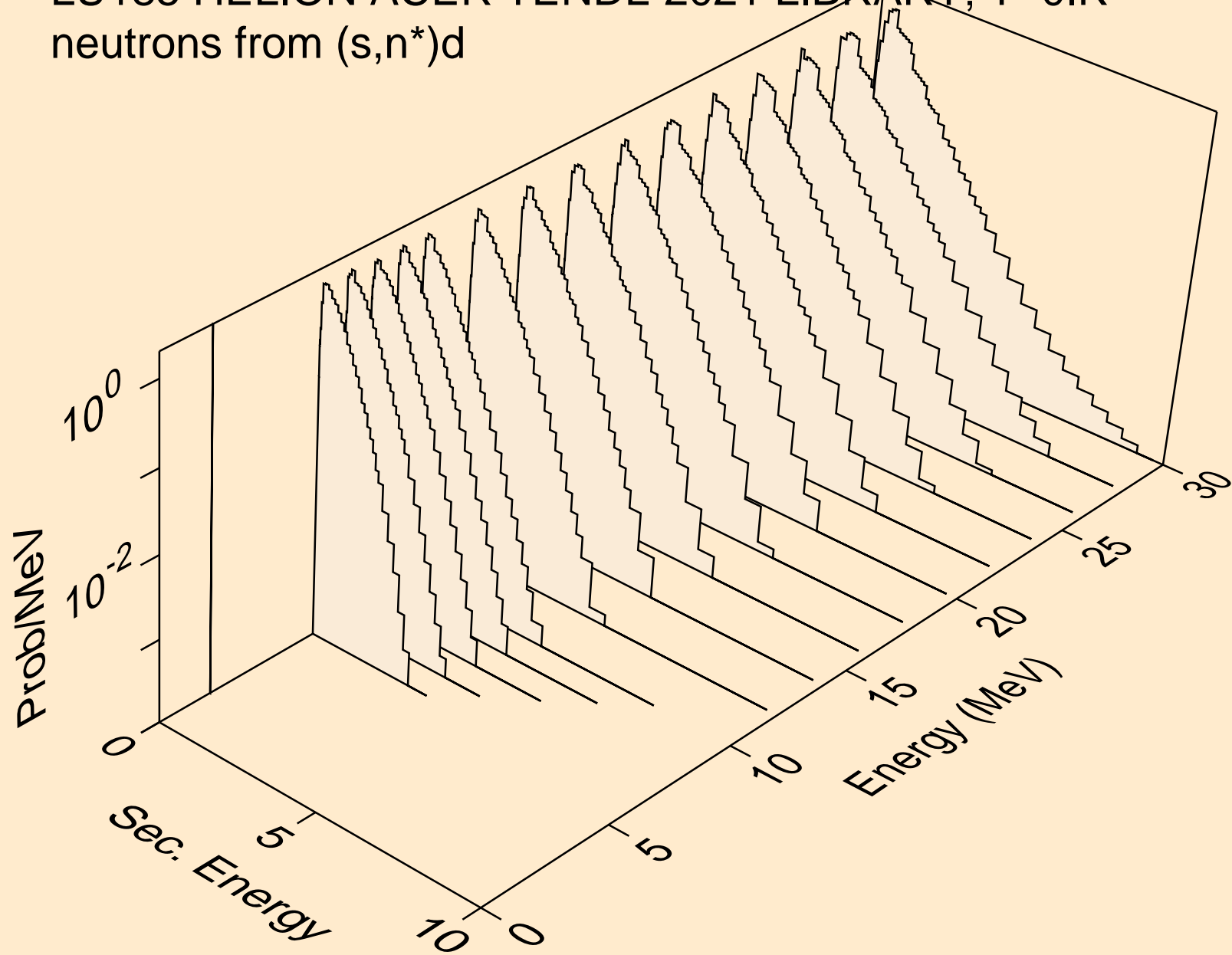
LU185 HELION ACER TENDL-2021 LIBRARY; T=0.K
neutrons from (s,3n)a



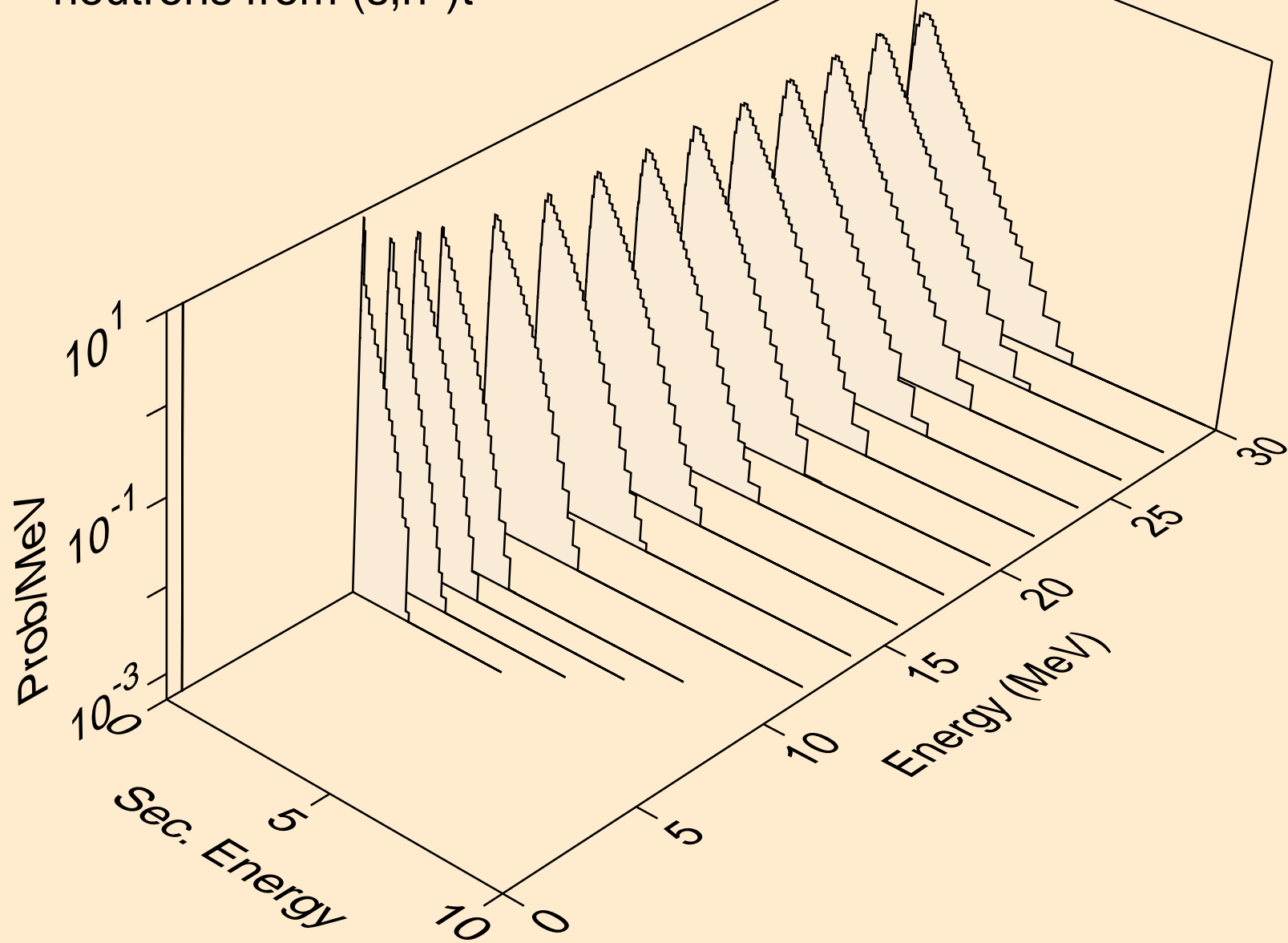
LU185 HELION ACER TENDL-2021 LIBRARY; T=0.K
neutrons from (s,n*)p



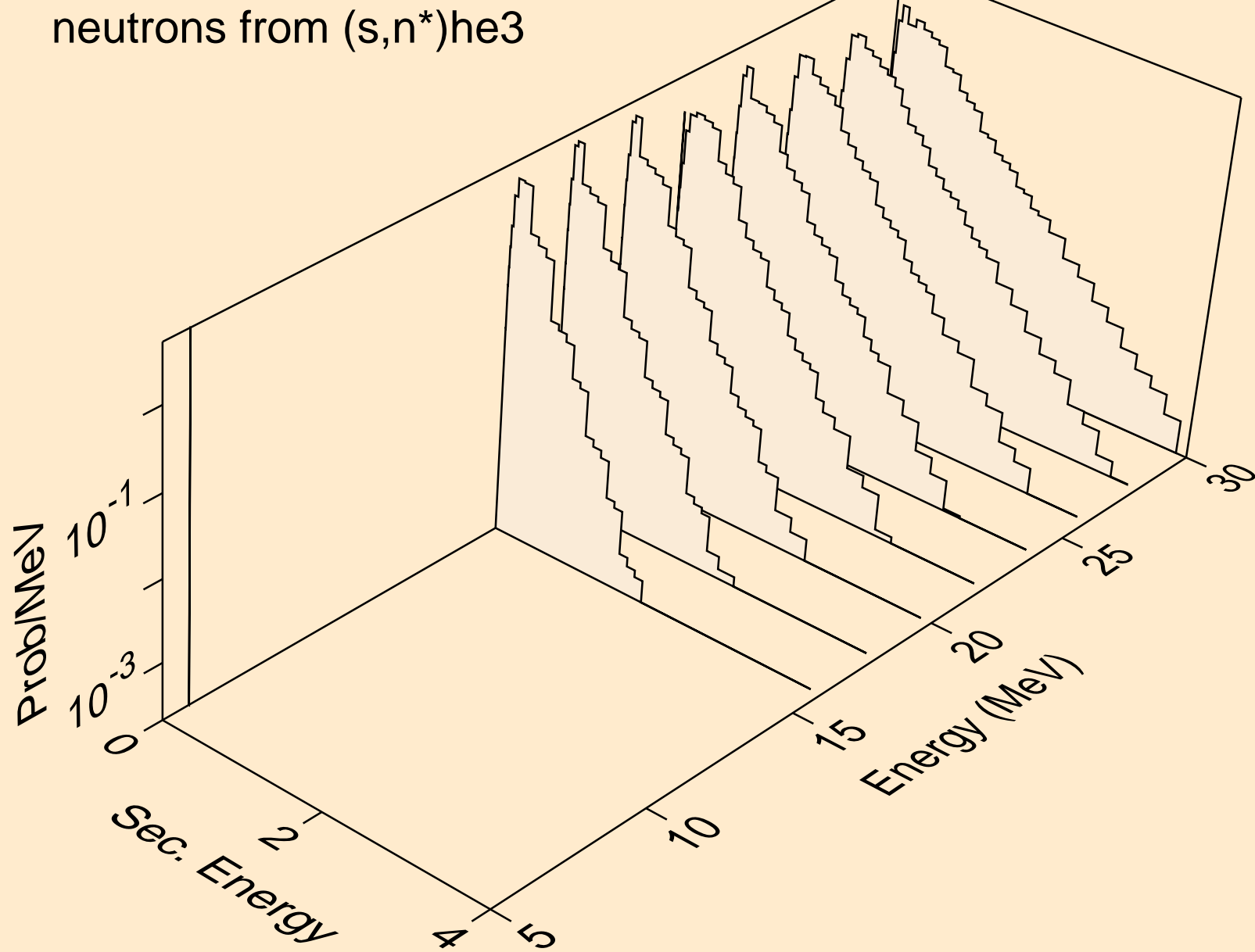
LU185 HELION ACER TENDL-2021 LIBRARY; T=0.K
neutrons from (s,n*)d



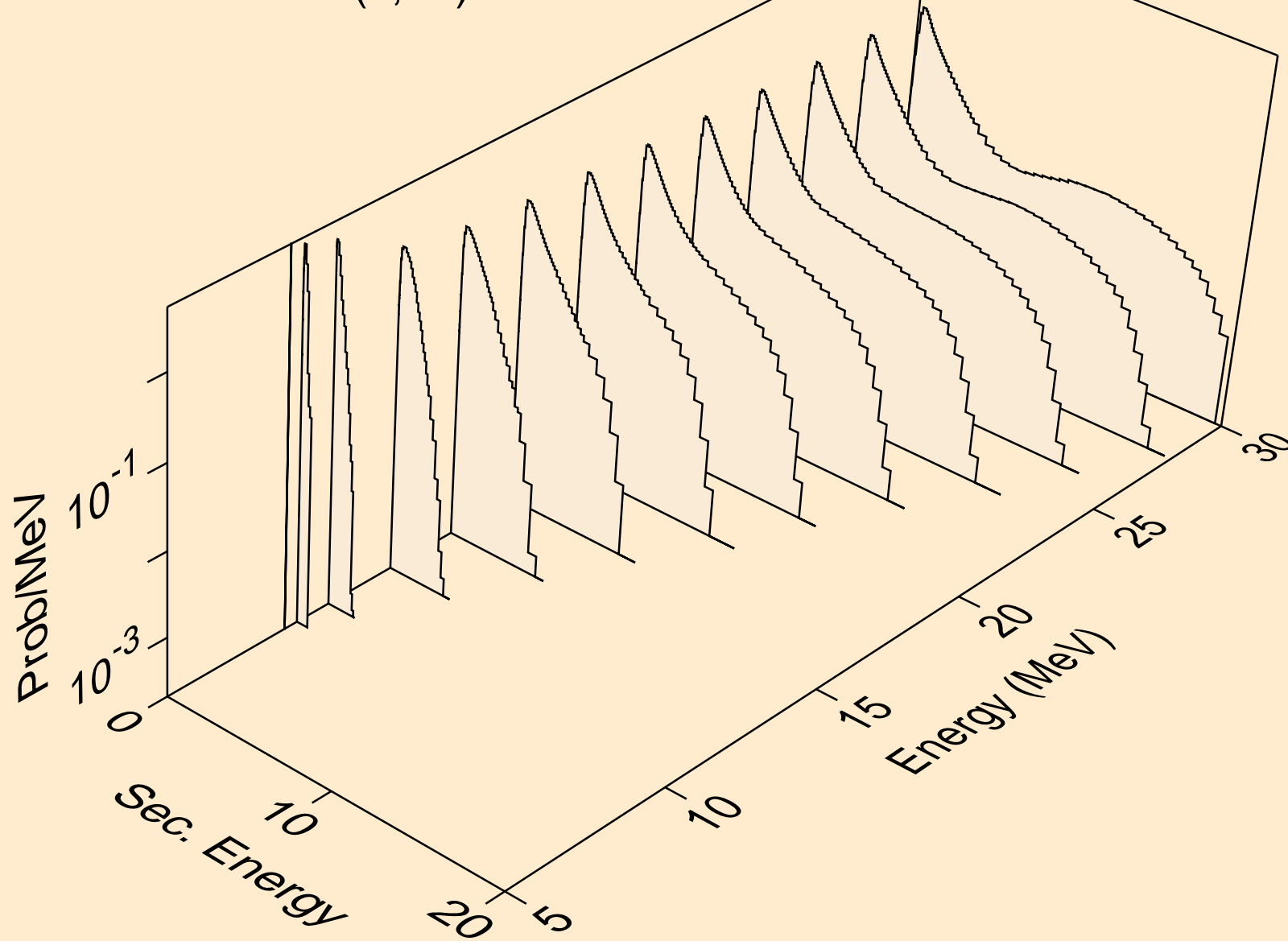
LU185 HELION ACER TENDL-2021 LIBRARY; T=0.K
neutrons from (s,n*)t



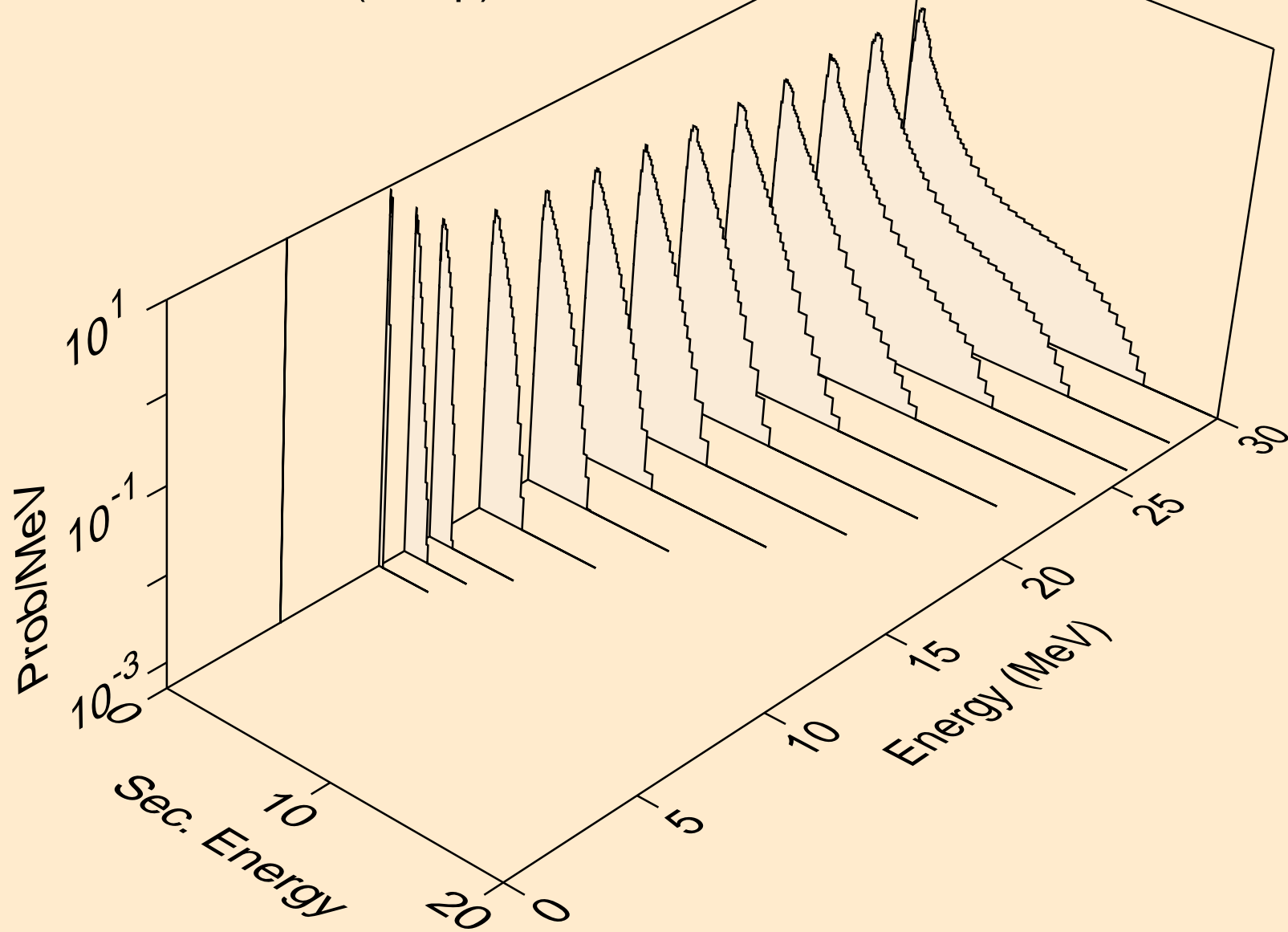
LU185 HELION ACER TENDL-2021 LIBRARY; T=0.K
neutrons from (s,n*)he3



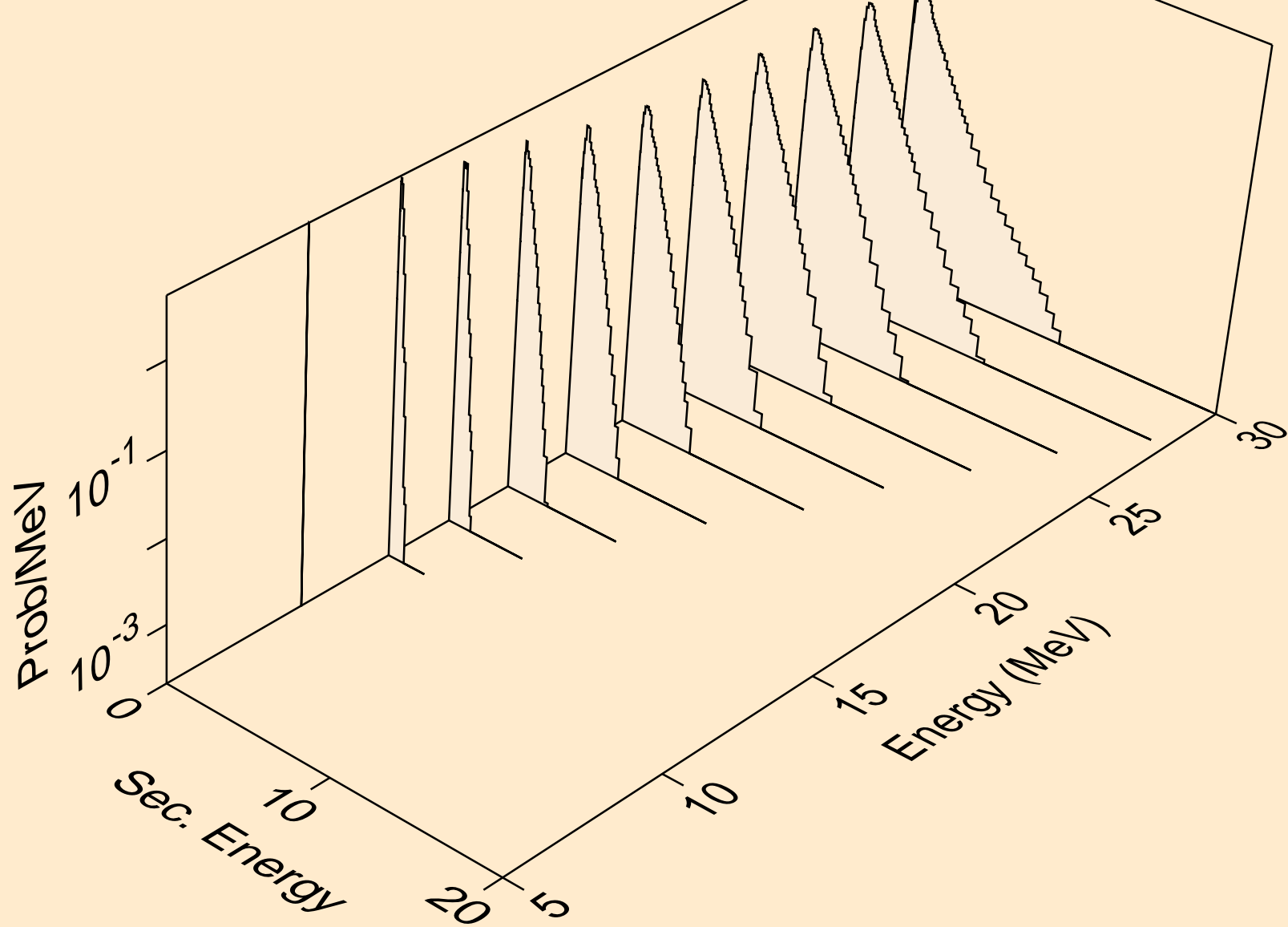
LU185 HELION ACER TENDL-2021 LIBRARY; T=0.K
neutrons from (s,4n)



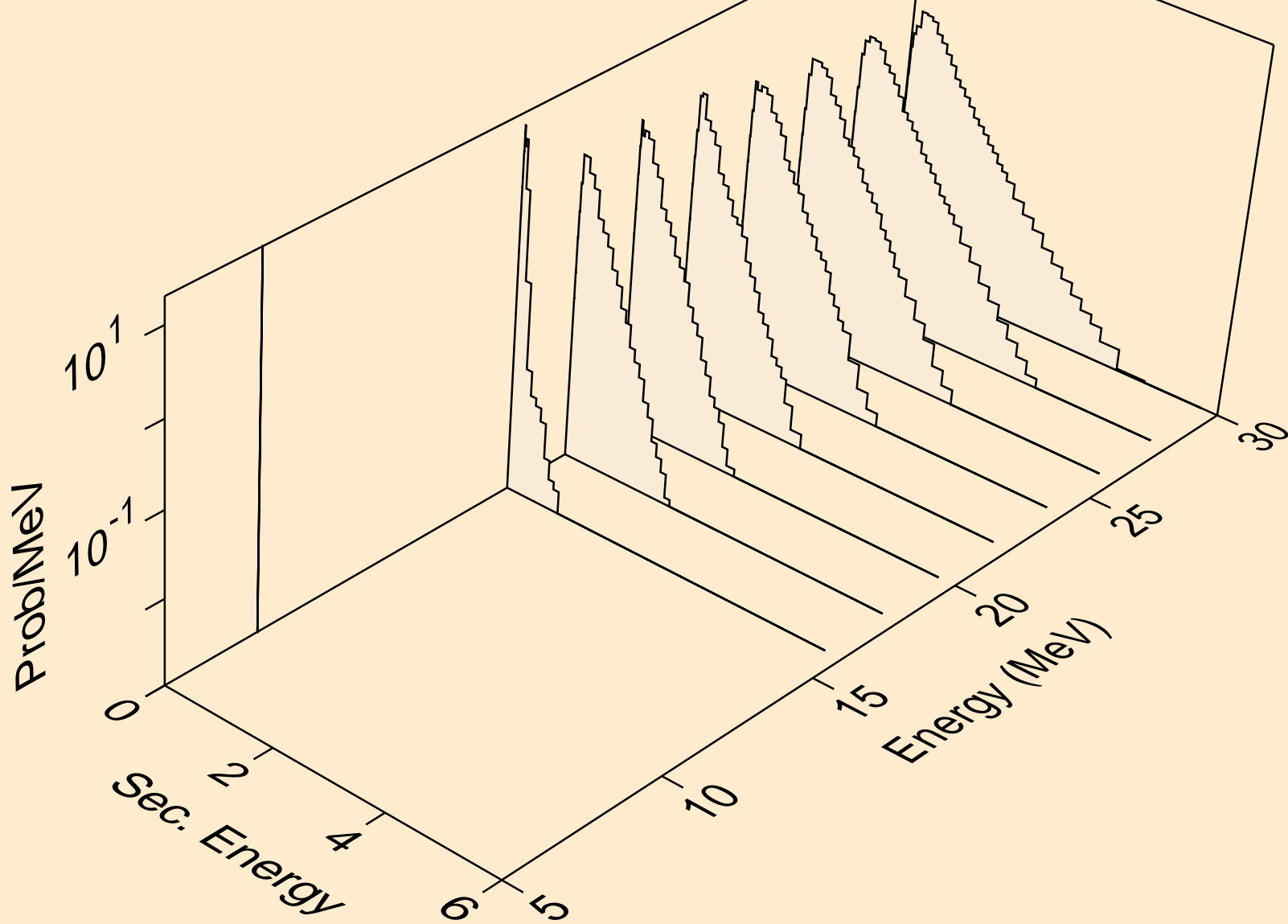
LU185 HELION ACER TENDL-2021 LIBRARY; T=0.K
neutrons from (s,2np)



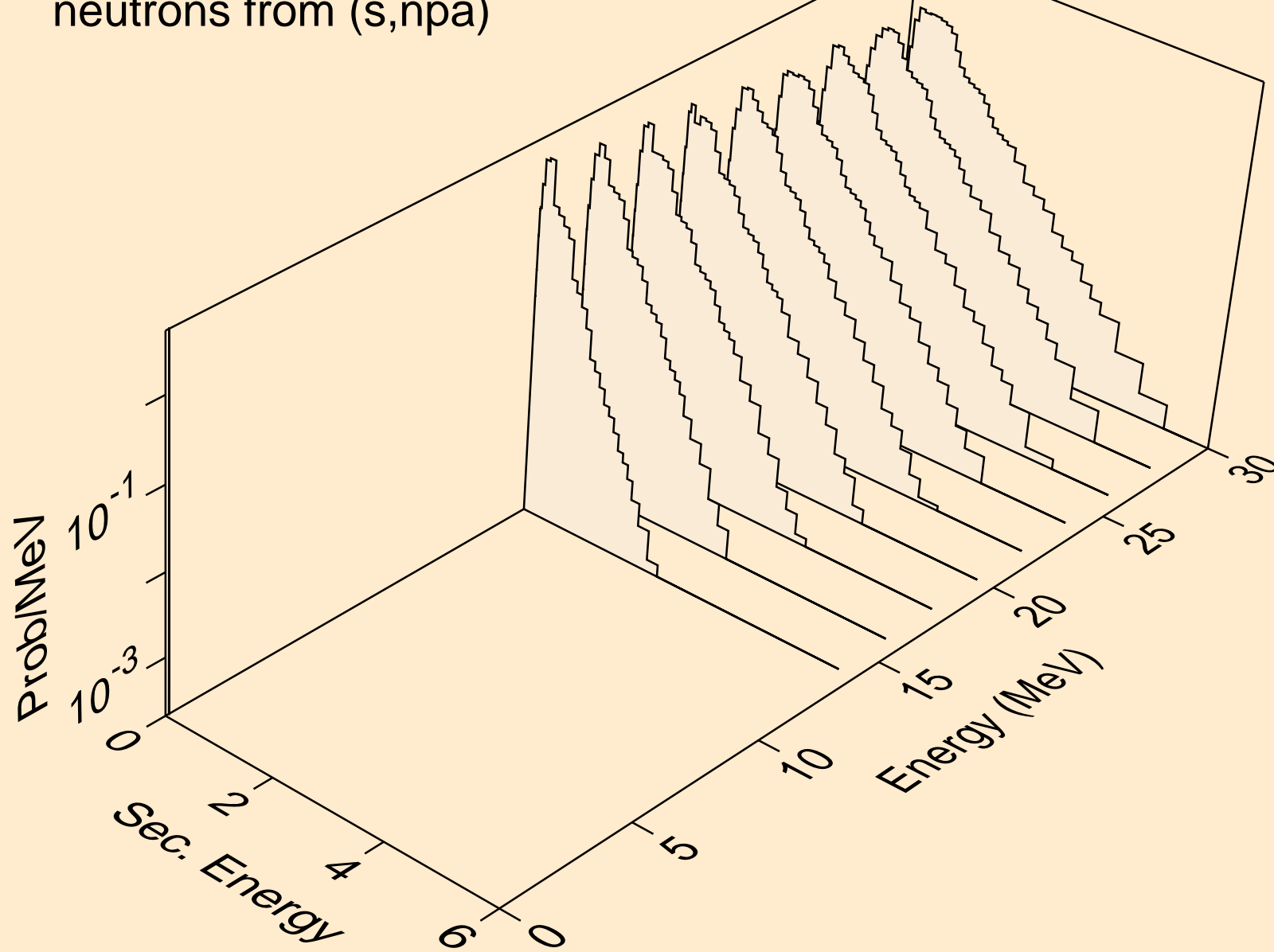
LU185 HELION ACER TENDL-2021 LIBRARY; T=0.K
neutrons from (s,3np)



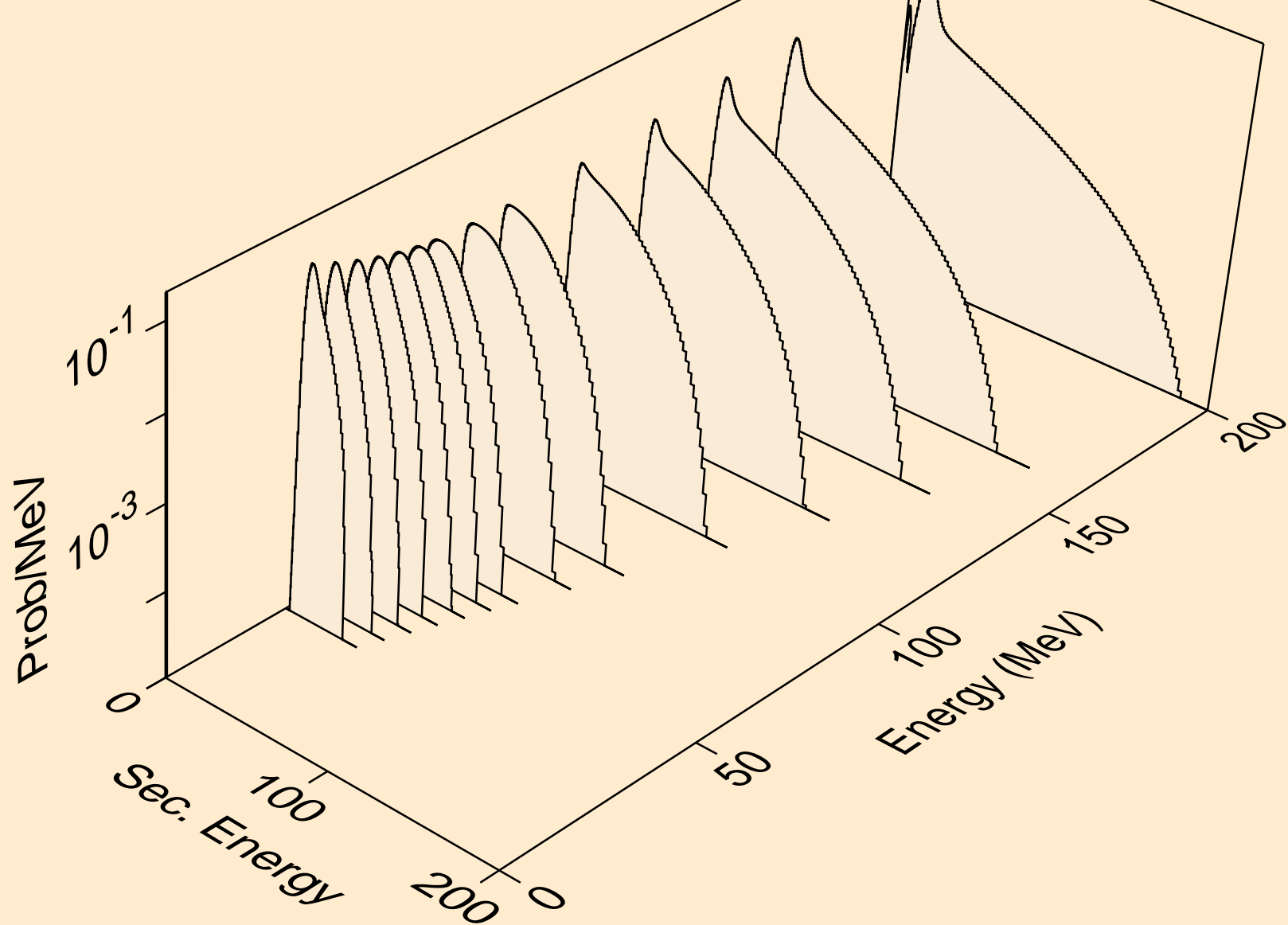
LU185 HELION ACER TENDL-2021 LIBRARY; T=0.K
neutrons from (s,2np)



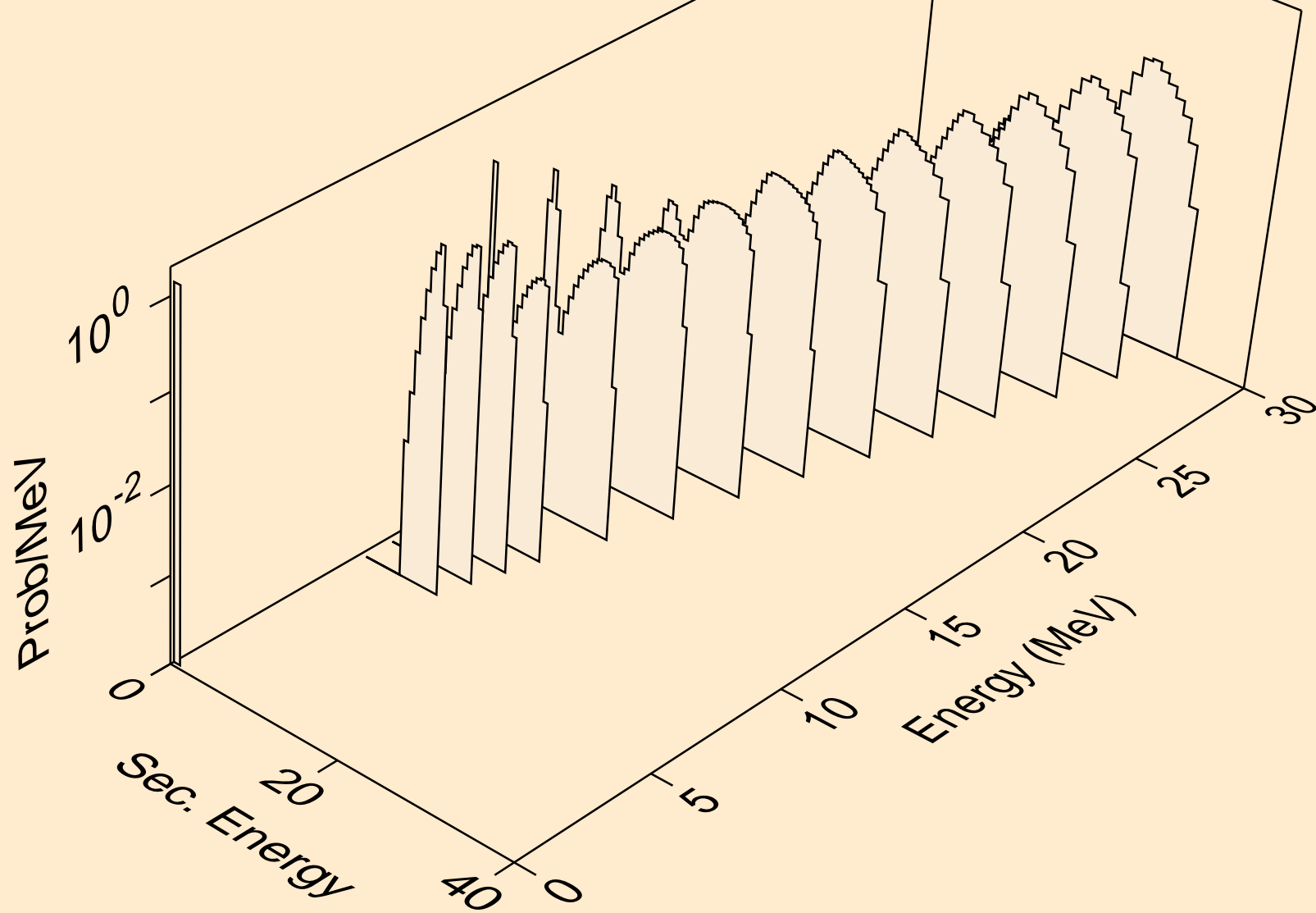
LU185 HELION ACER TENDL-2021 LIBRARY; T=0.K
neutrons from (s,npa)



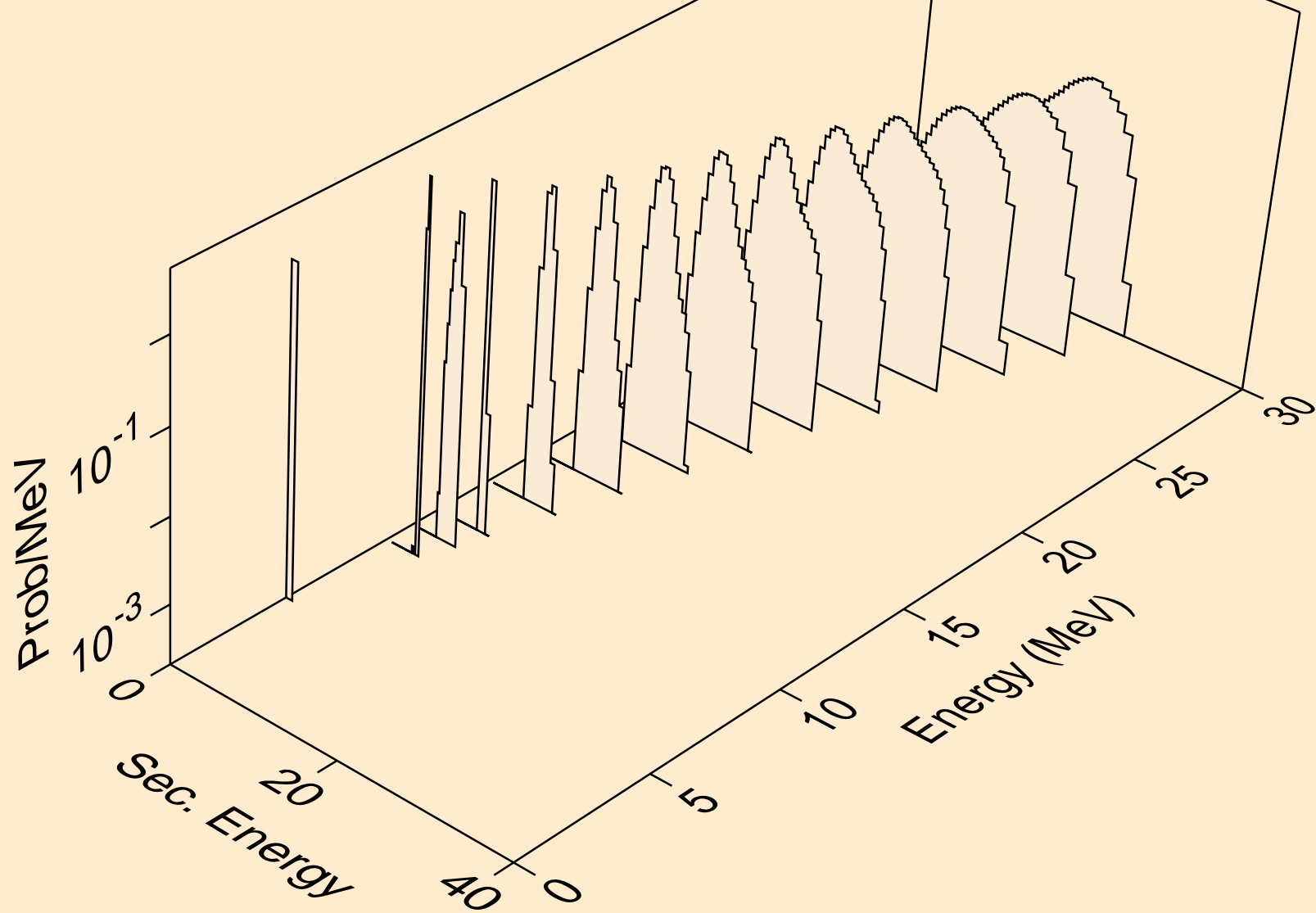
LU185 HELION ACER TENDL-2021 LIBRARY; T=0.K
protons from (s,x)



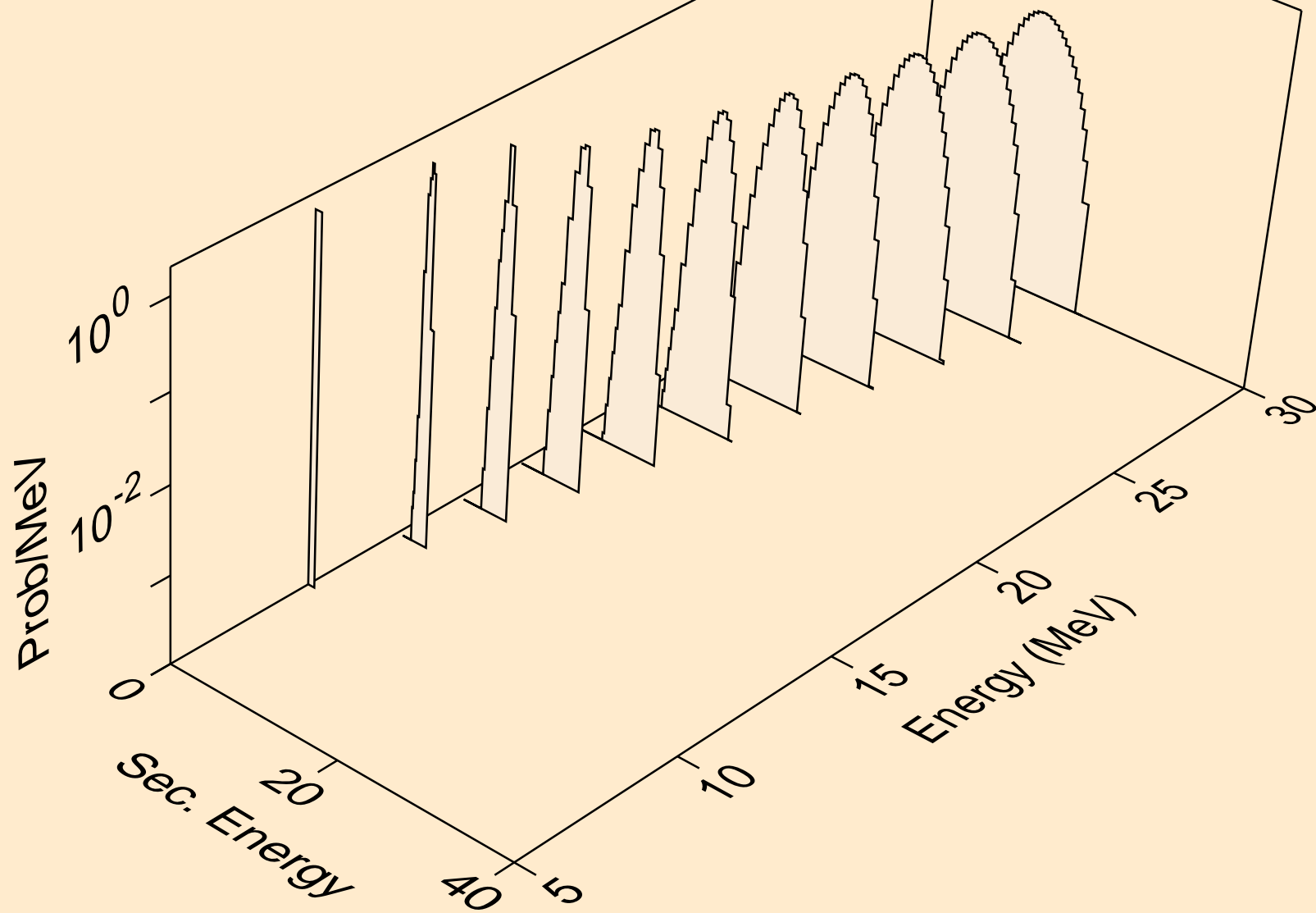
LU185 HELION ACER TENDL-2021 LIBRARY; T=0.K
protons from (s,n*)p



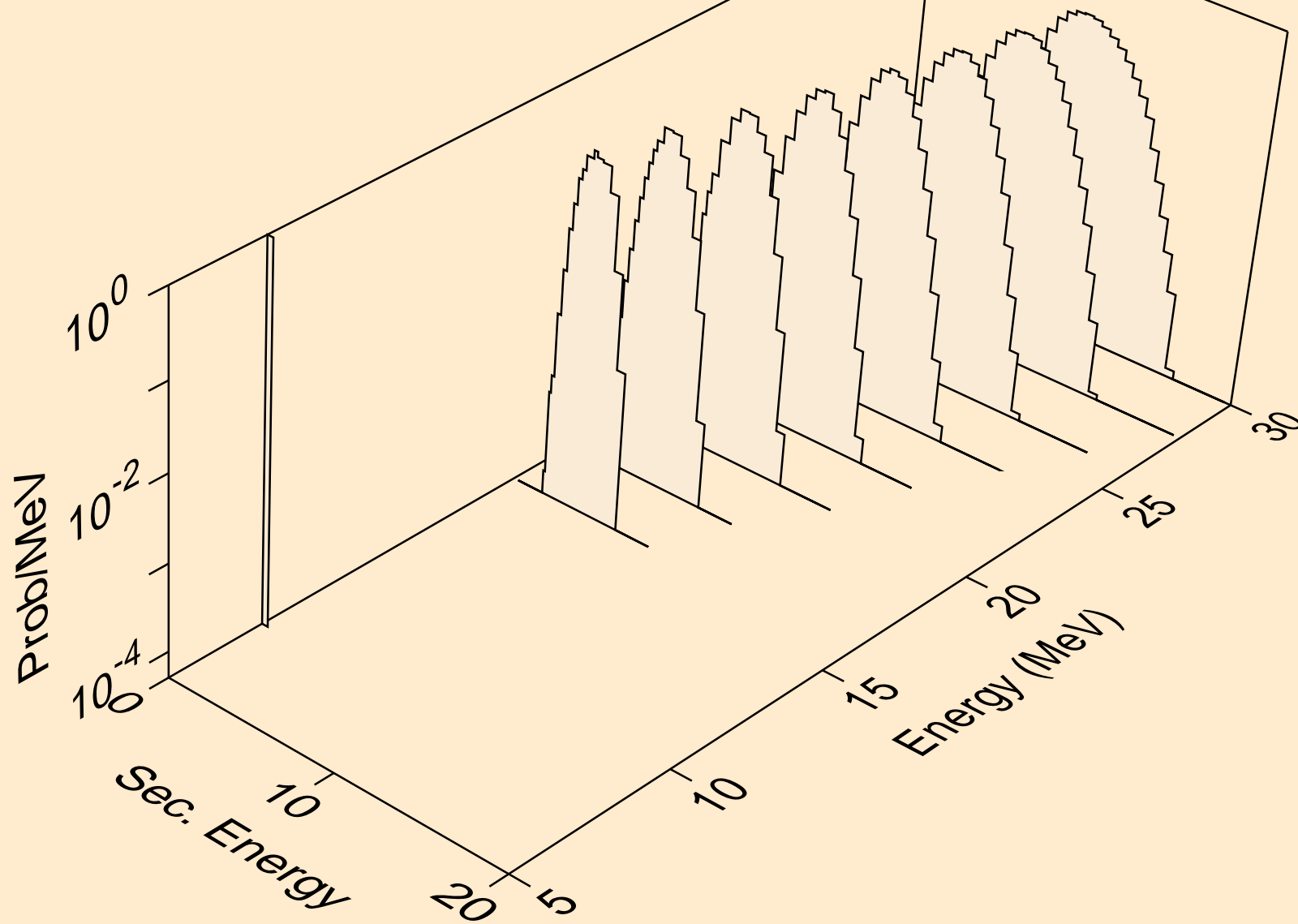
LU185 HELION ACER TENDL-2021 LIBRARY; T=0.K
protons from (s,2np)



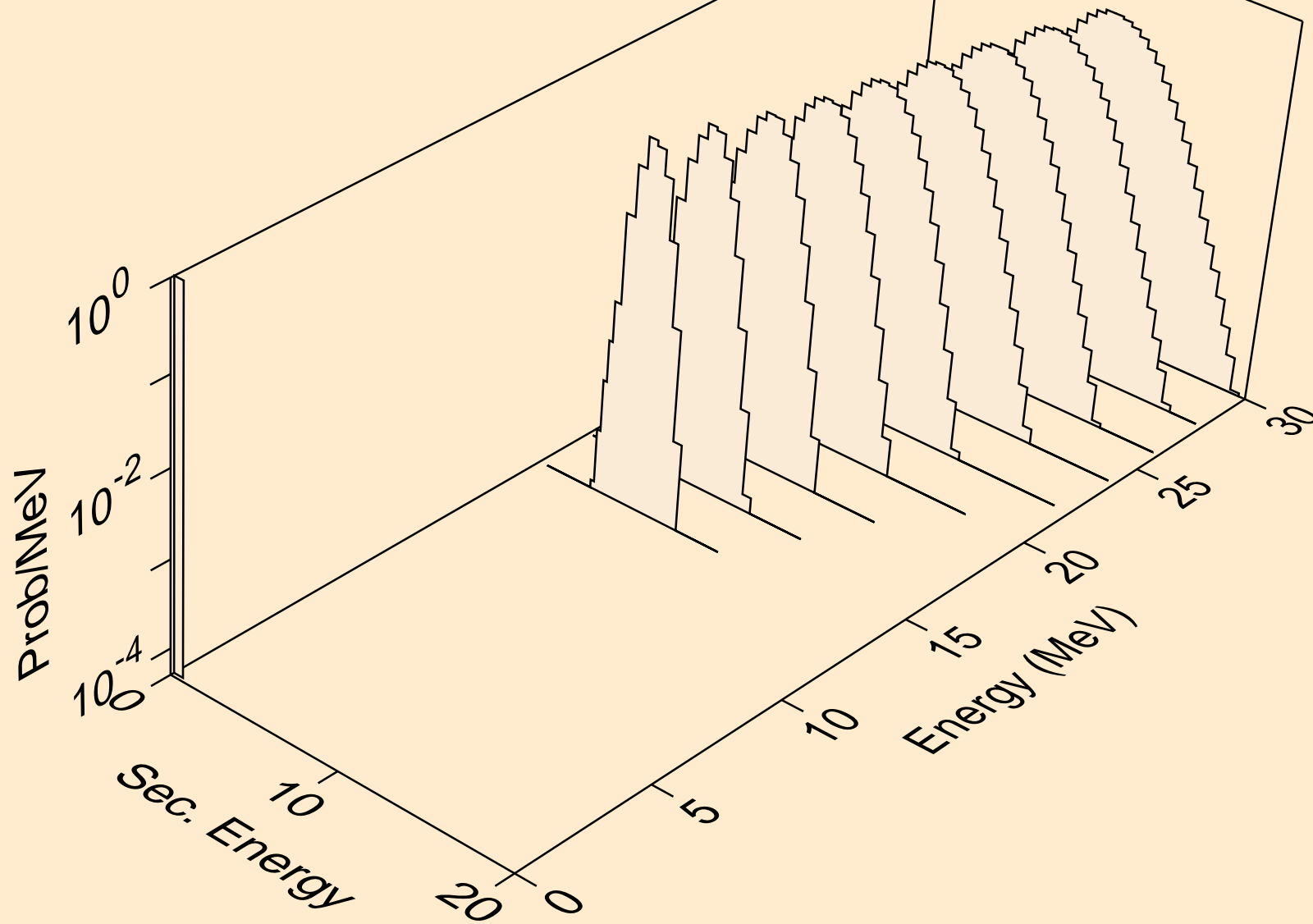
LU185 HELION ACER TENDL-2021 LIBRARY; T=0.K
protons from (s,3np)



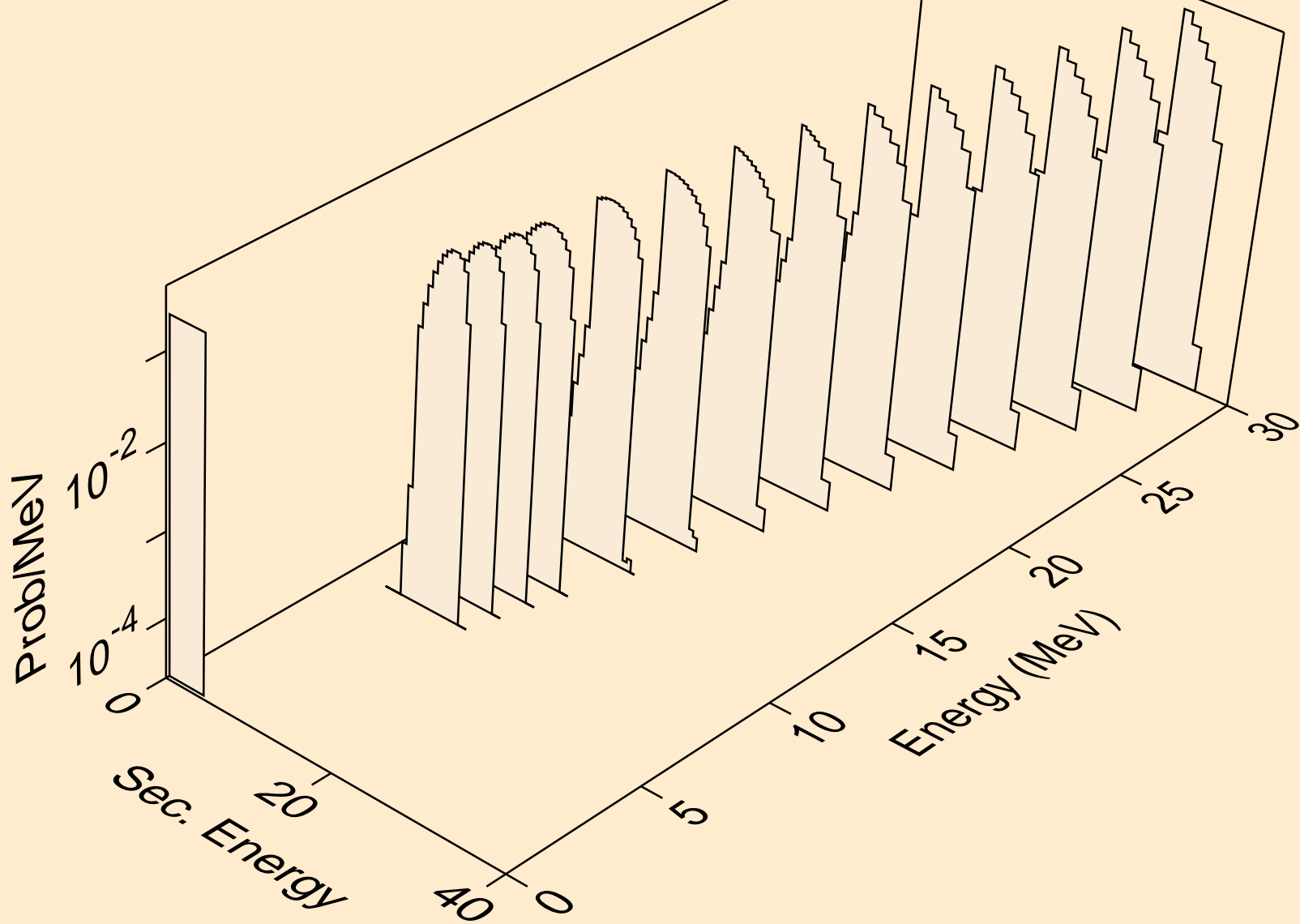
LU185 HELION ACER TENDL-2021 LIBRARY; T=0.K
protons from (s,2np)



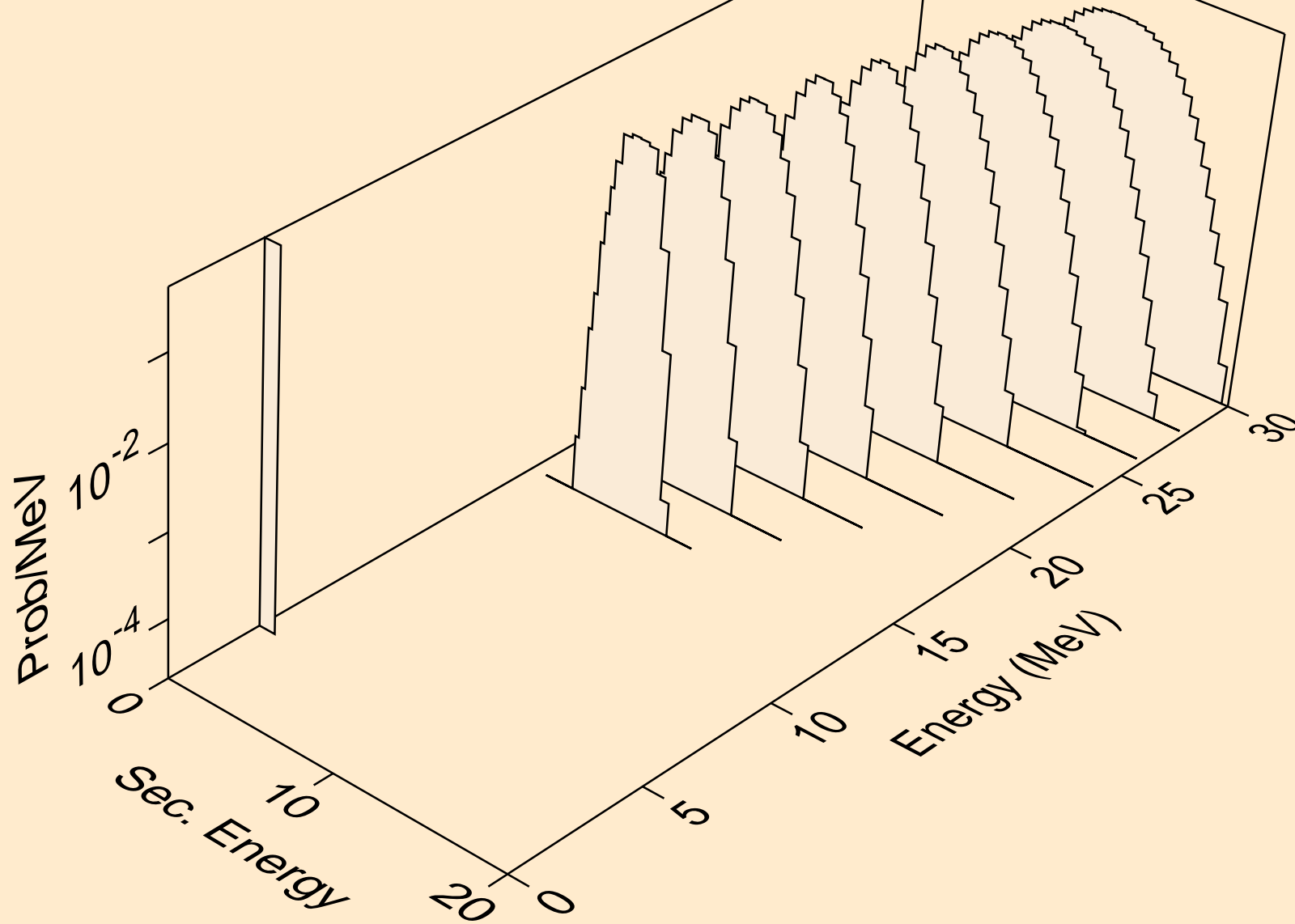
LU185 HELION ACER TENDL-2021 LIBRARY; T=0.K
protons from (s,npa)



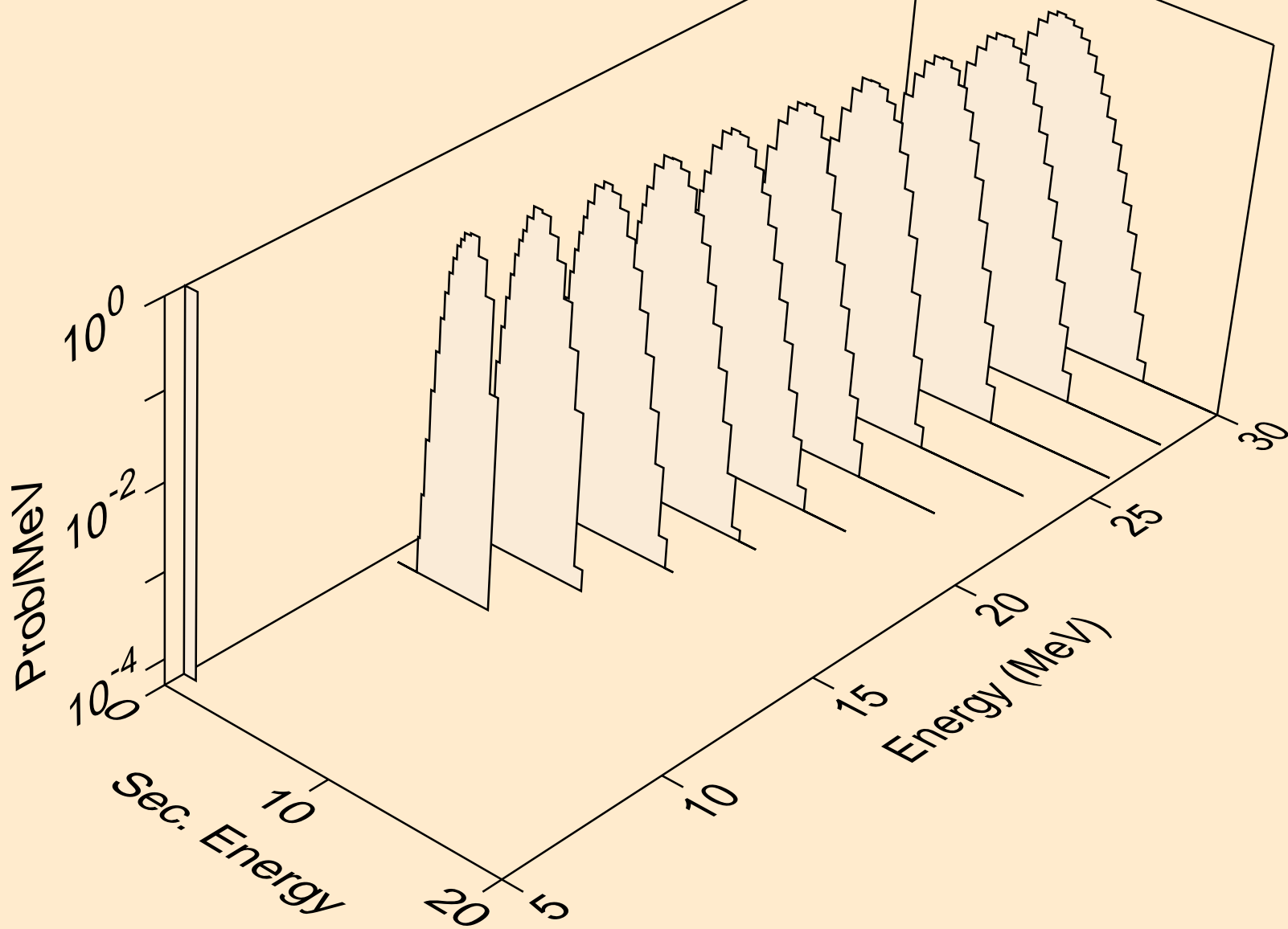
LU185 HELION ACER TENDL-2021 LIBRARY; T=0.K
protons from (s,p)



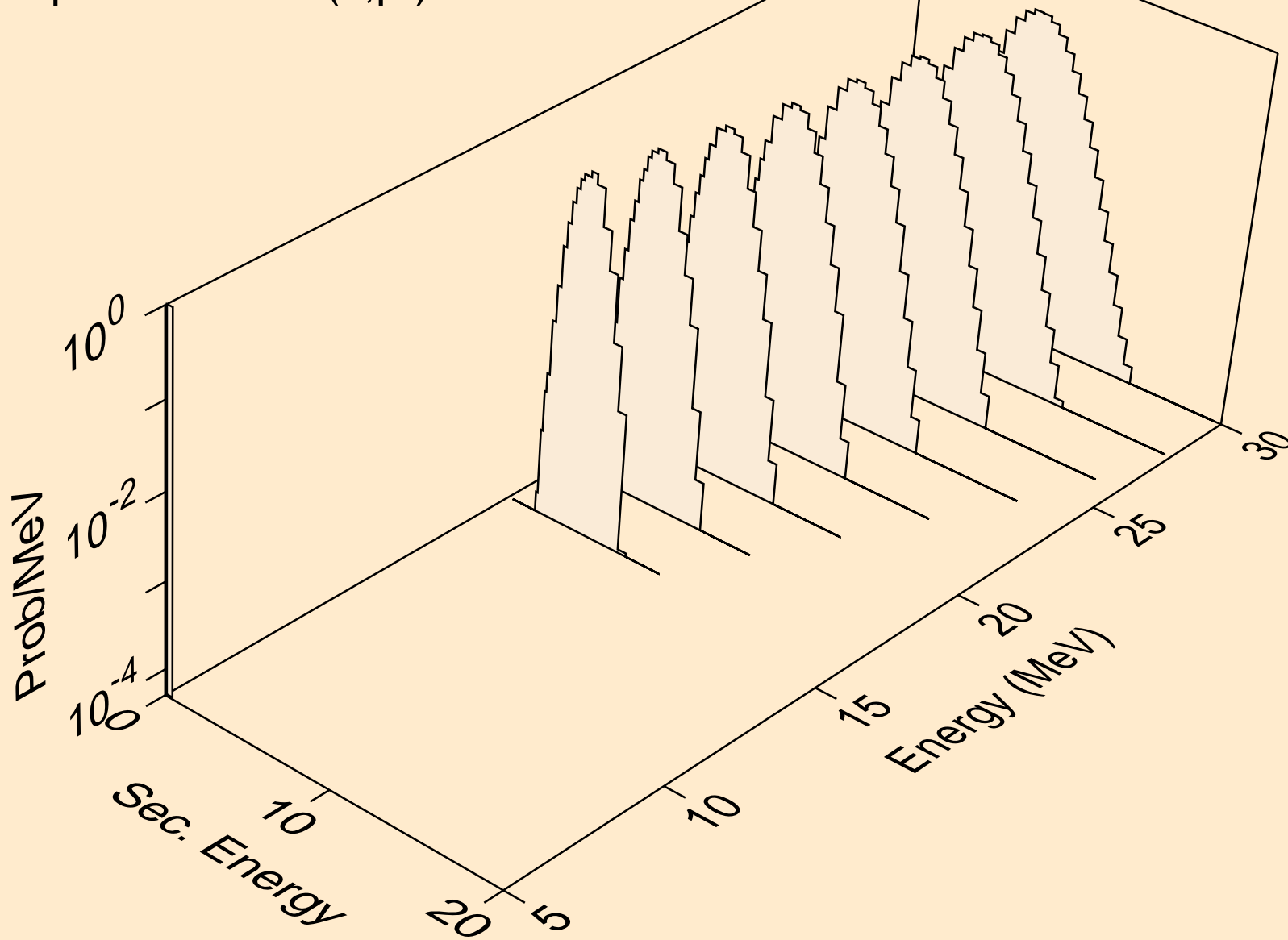
LU185 HELION ACER TENDL-2021 LIBRARY; T=0.K
protons from (s,2p)



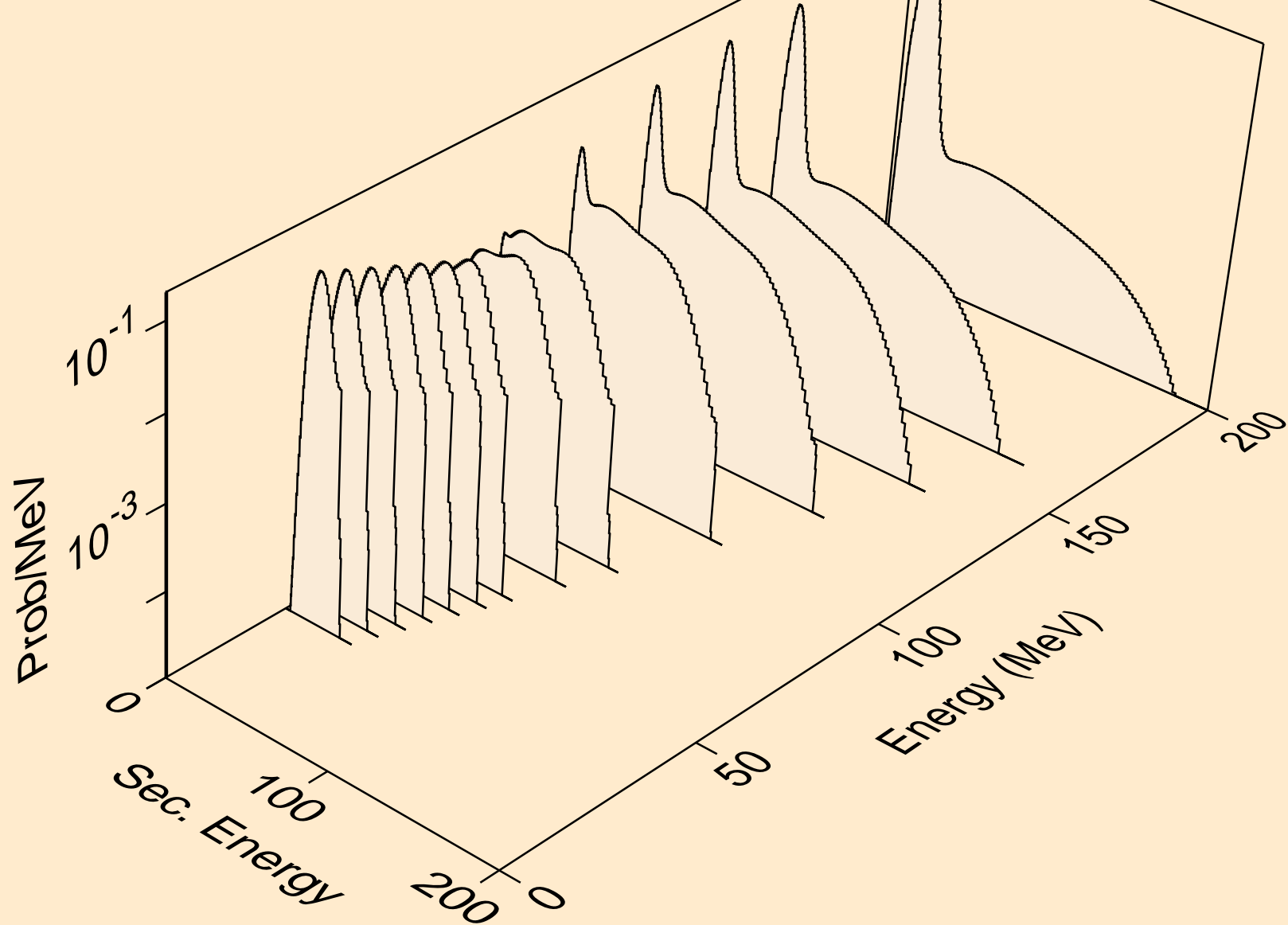
LU185 HELION ACER TENDL-2021 LIBRARY; T=0.K
protons from (s,pd)



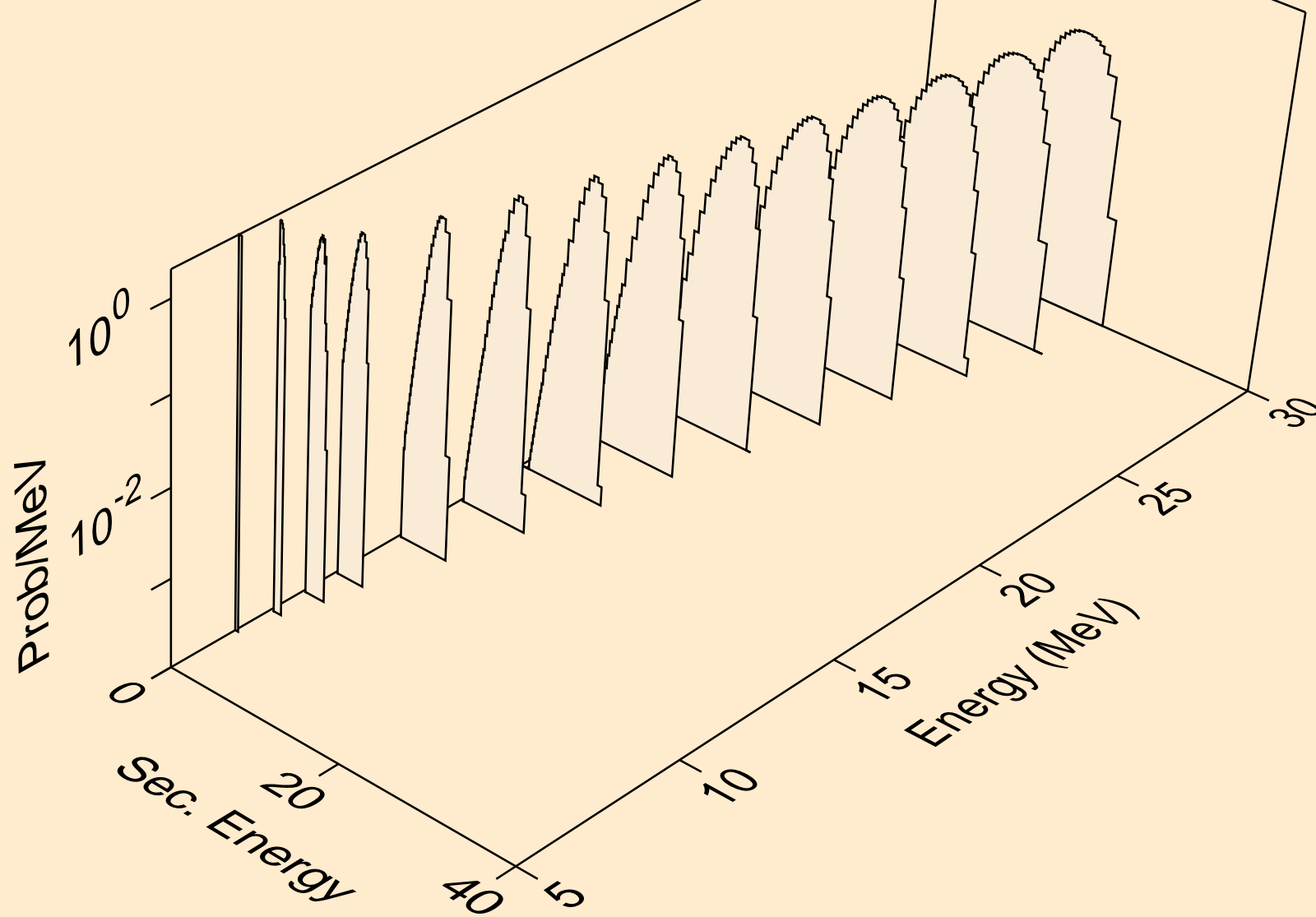
LU185 HELION ACER TENDL-2021 LIBRARY; T=0.K
protons from (s,pt)



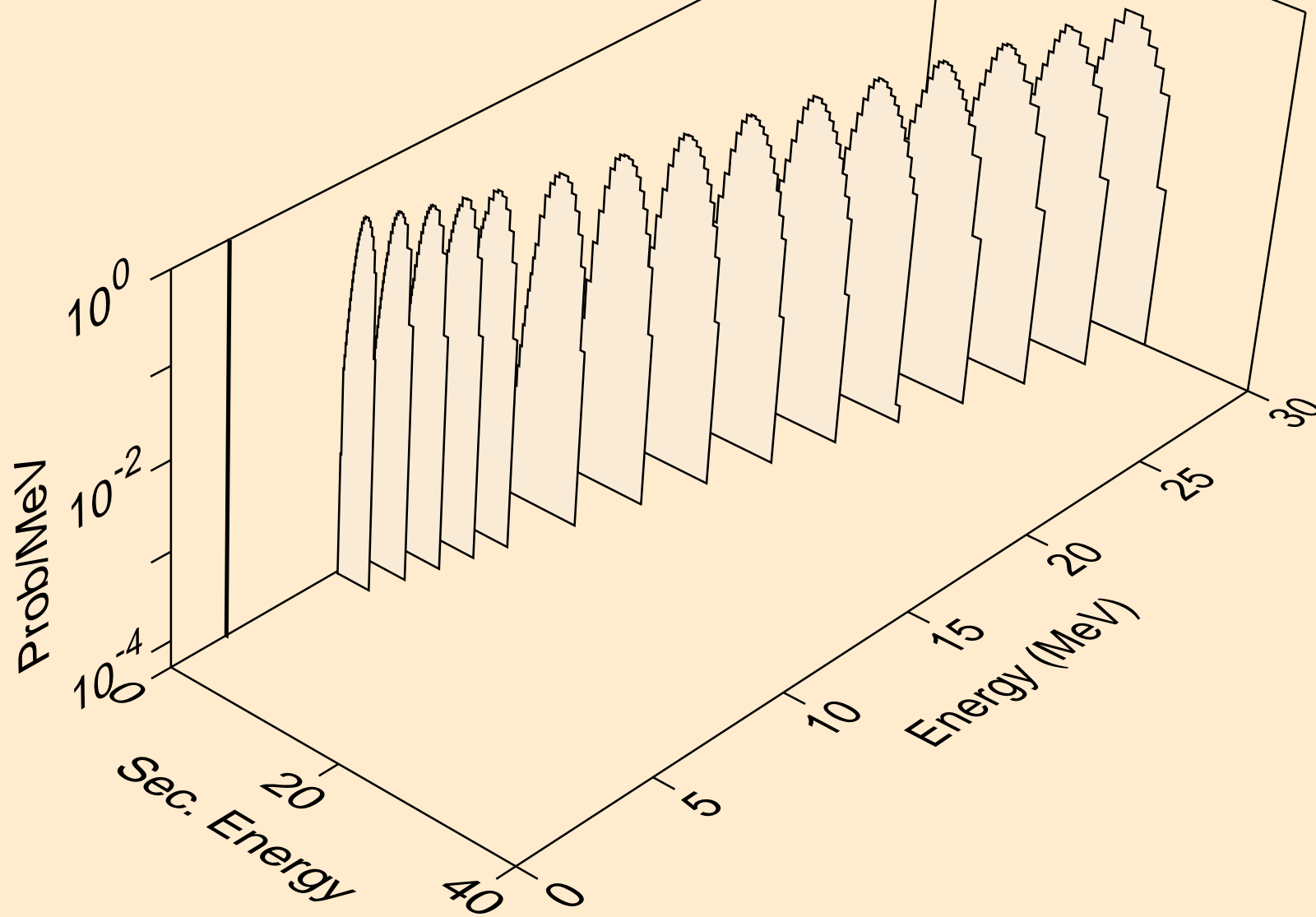
LU185 HELION ACER TENDL-2021 LIBRARY; T=0.K
deuterons from (s,x)



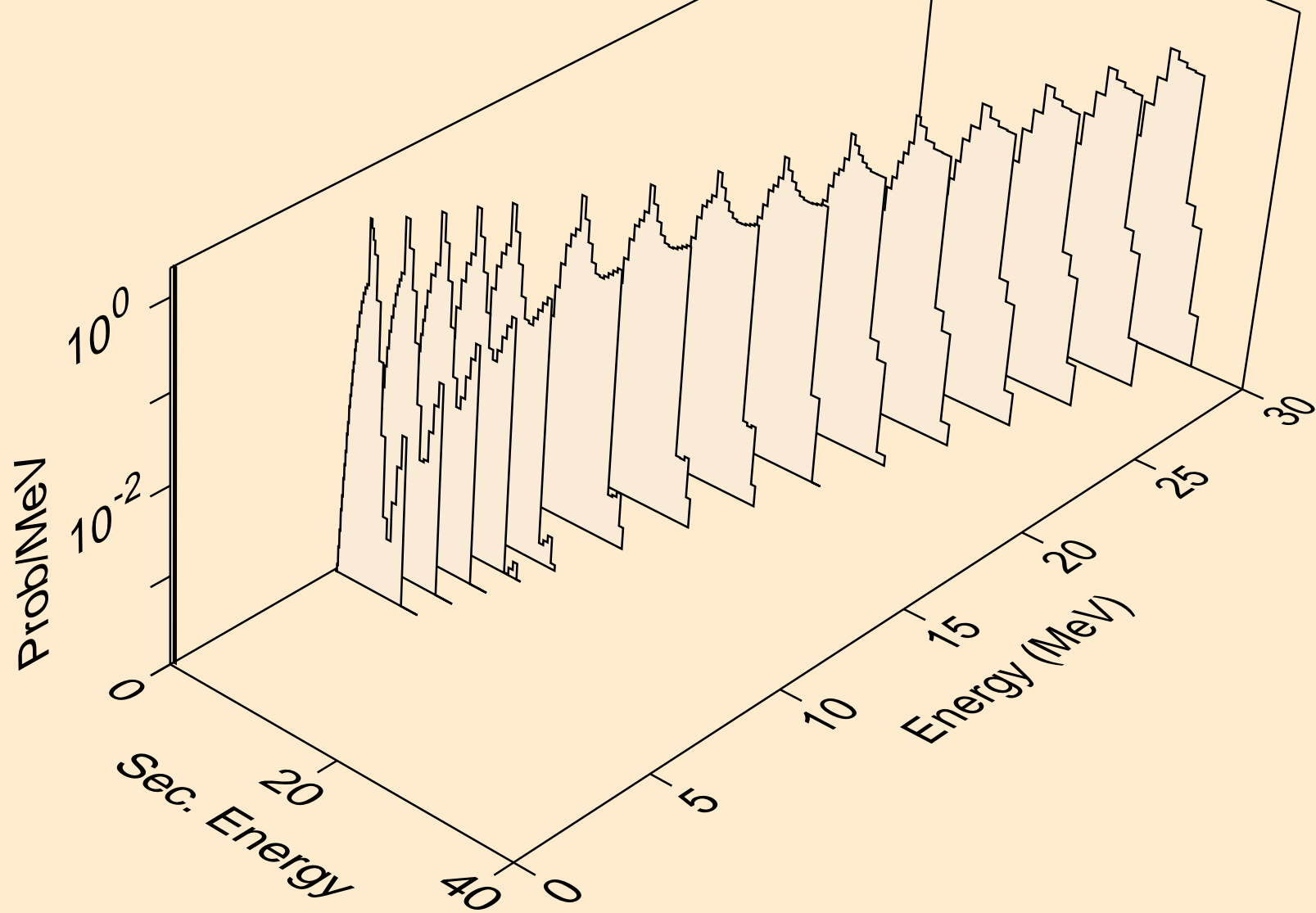
LU185 HELION ACER TENDL-2021 LIBRARY; T=0.K
deuterons from (s,2nd)



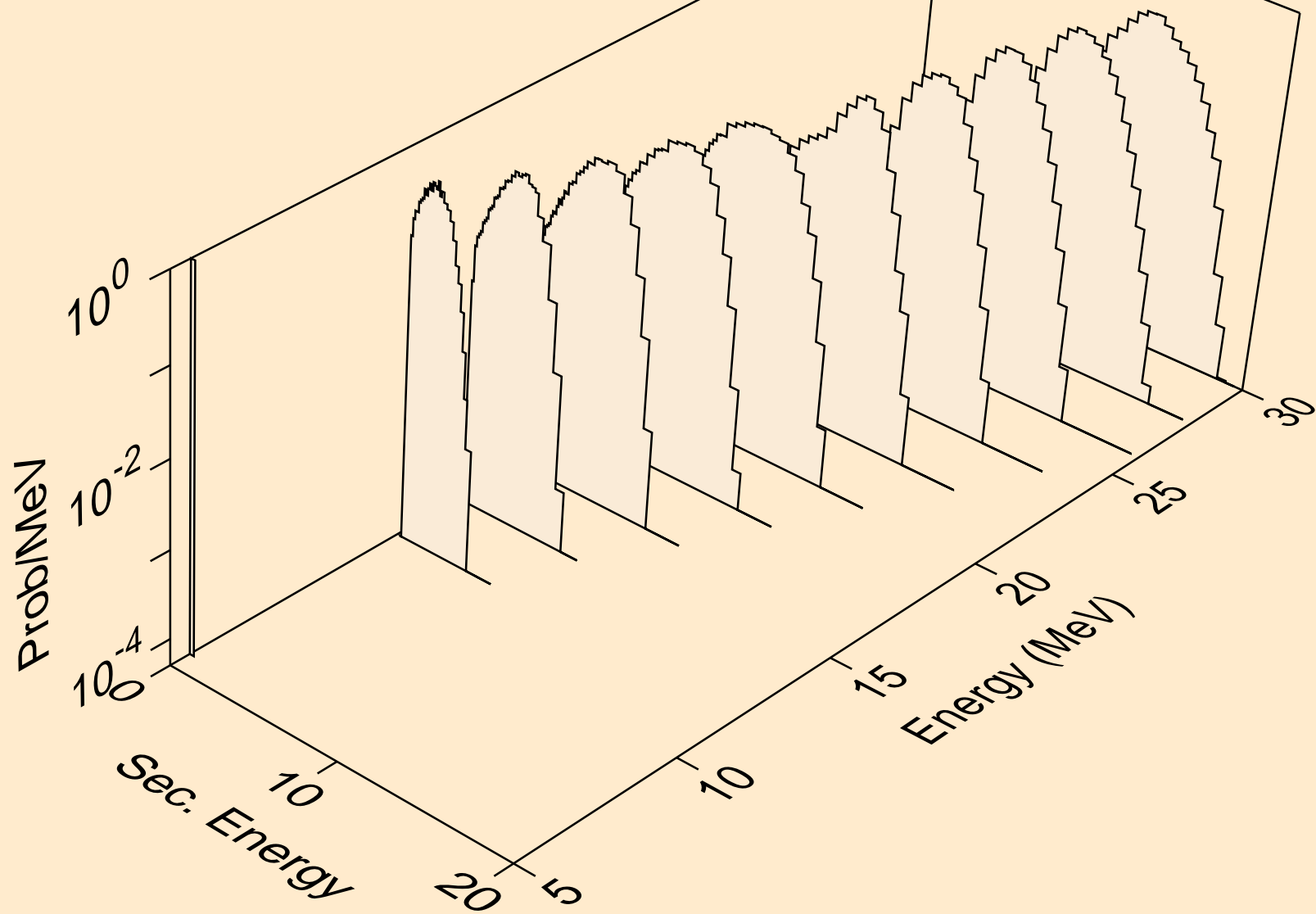
LU185 HELION ACER TENDL-2021 LIBRARY; T=0.K
deuterons from (s,n*)d



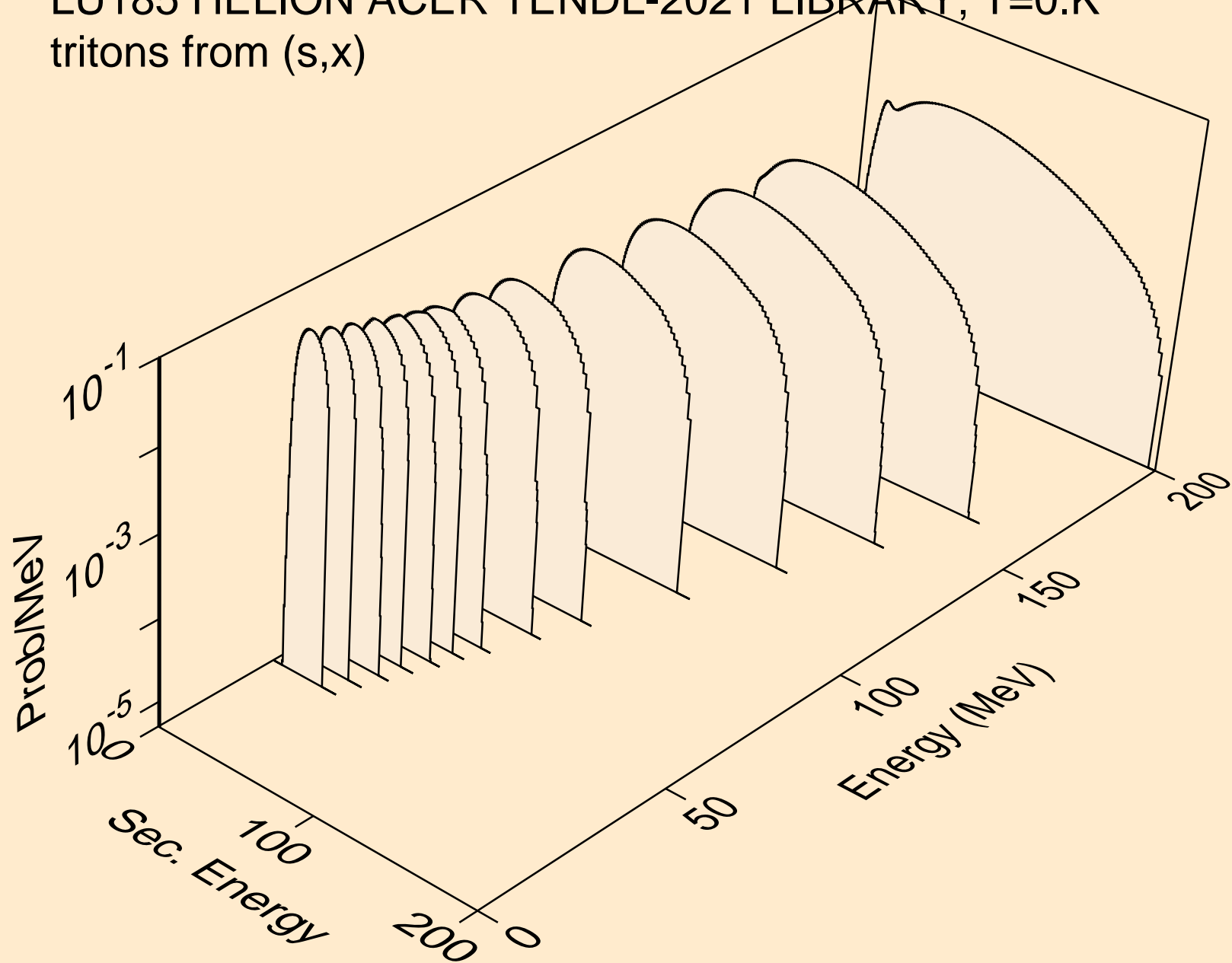
LU185 HELION ACER TENDL-2021 LIBRARY; T=0.K
deuterons from (s,d)



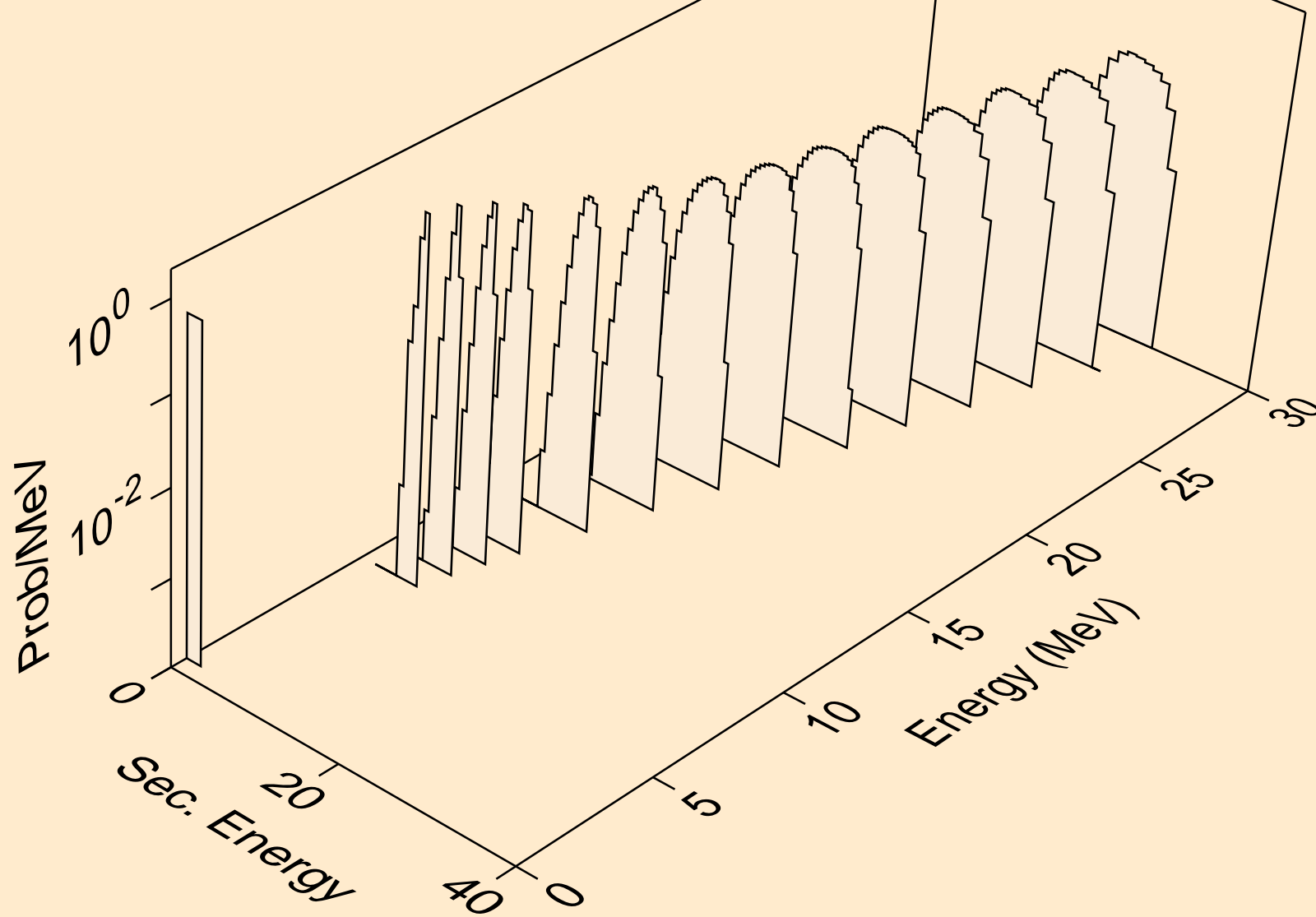
LU185 HELION ACER TENDL-2021 LIBRARY; T=0.K
deuterons from (s,pd)



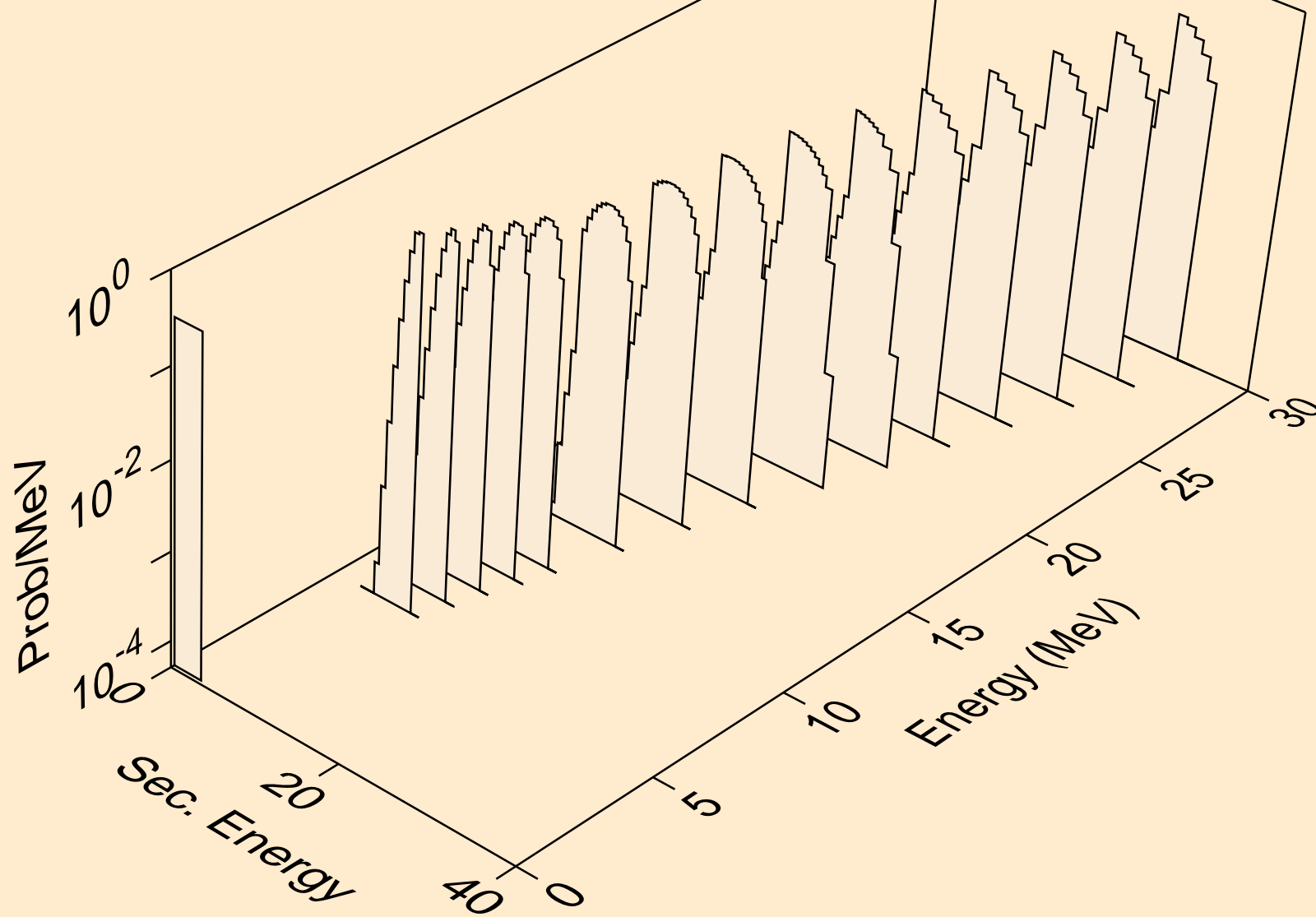
LU185 HELION ACER TENDL-2021 LIBRARY; T=0.K
tritons from (s,x)



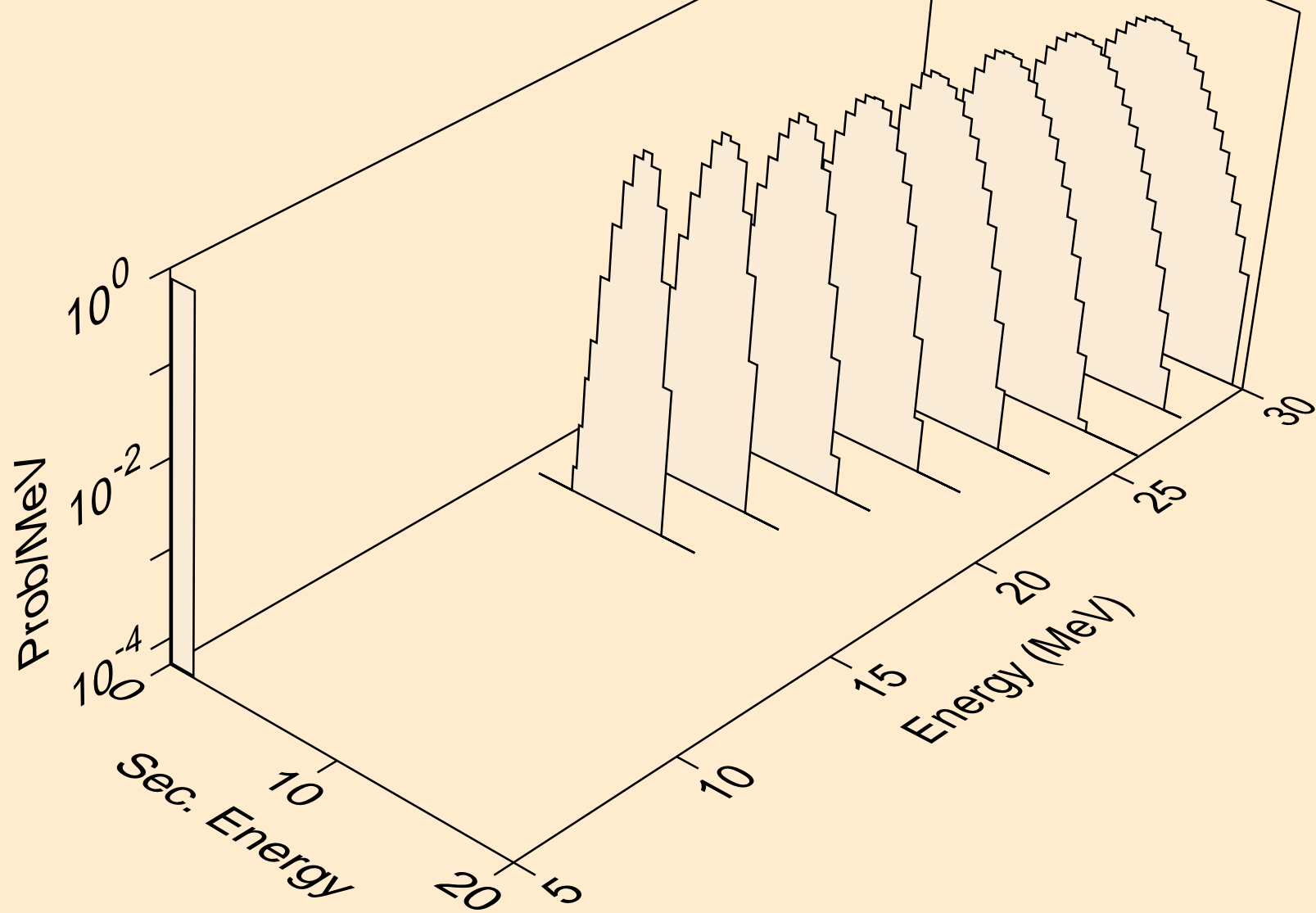
LU185 HELION ACER TENDL-2021 LIBRARY; T=0.K
tritons from (s,n*)t



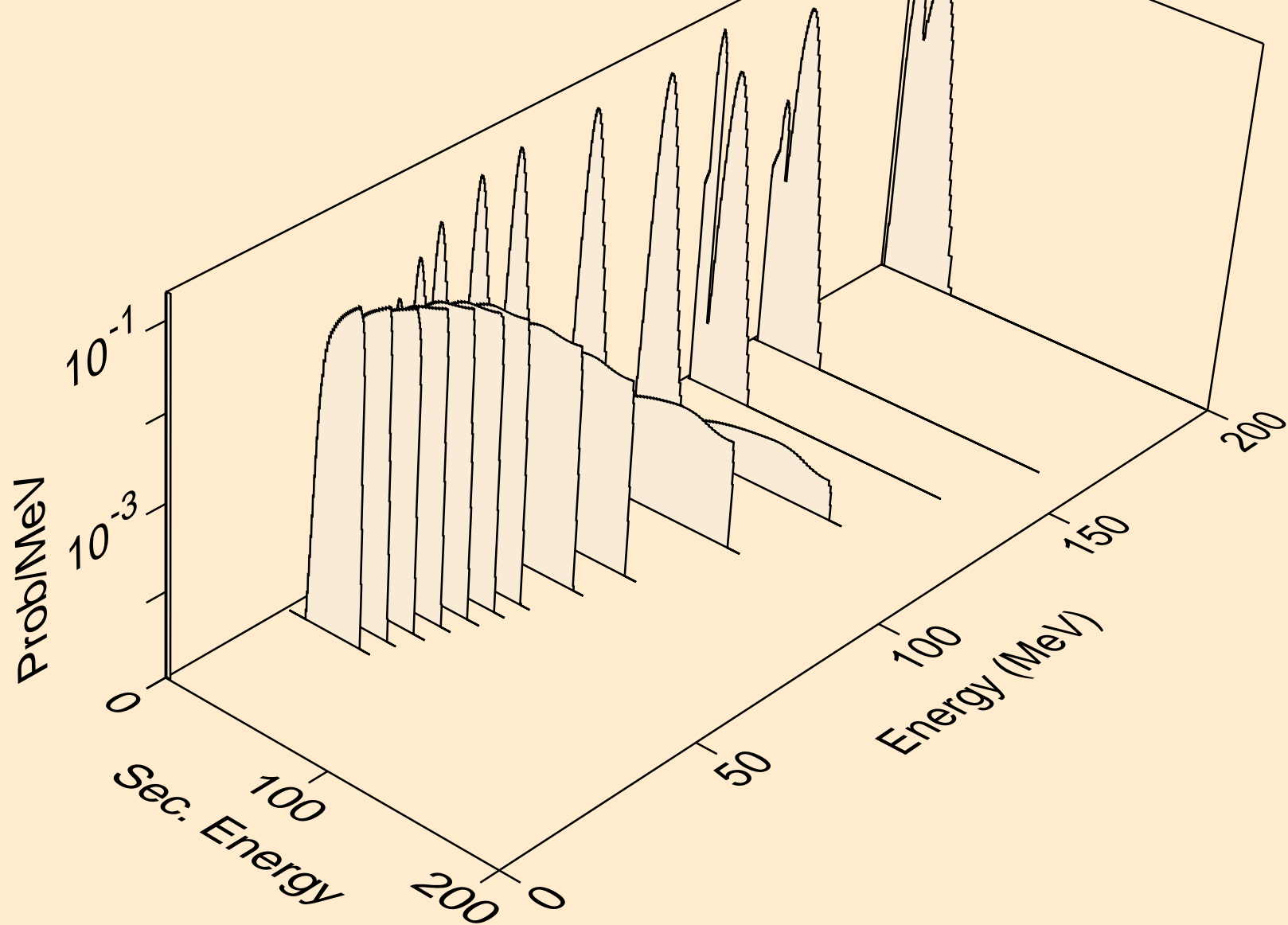
LU185 HELION ACER TENDL-2021 LIBRARY; T=0.K
tritons from (s,t)



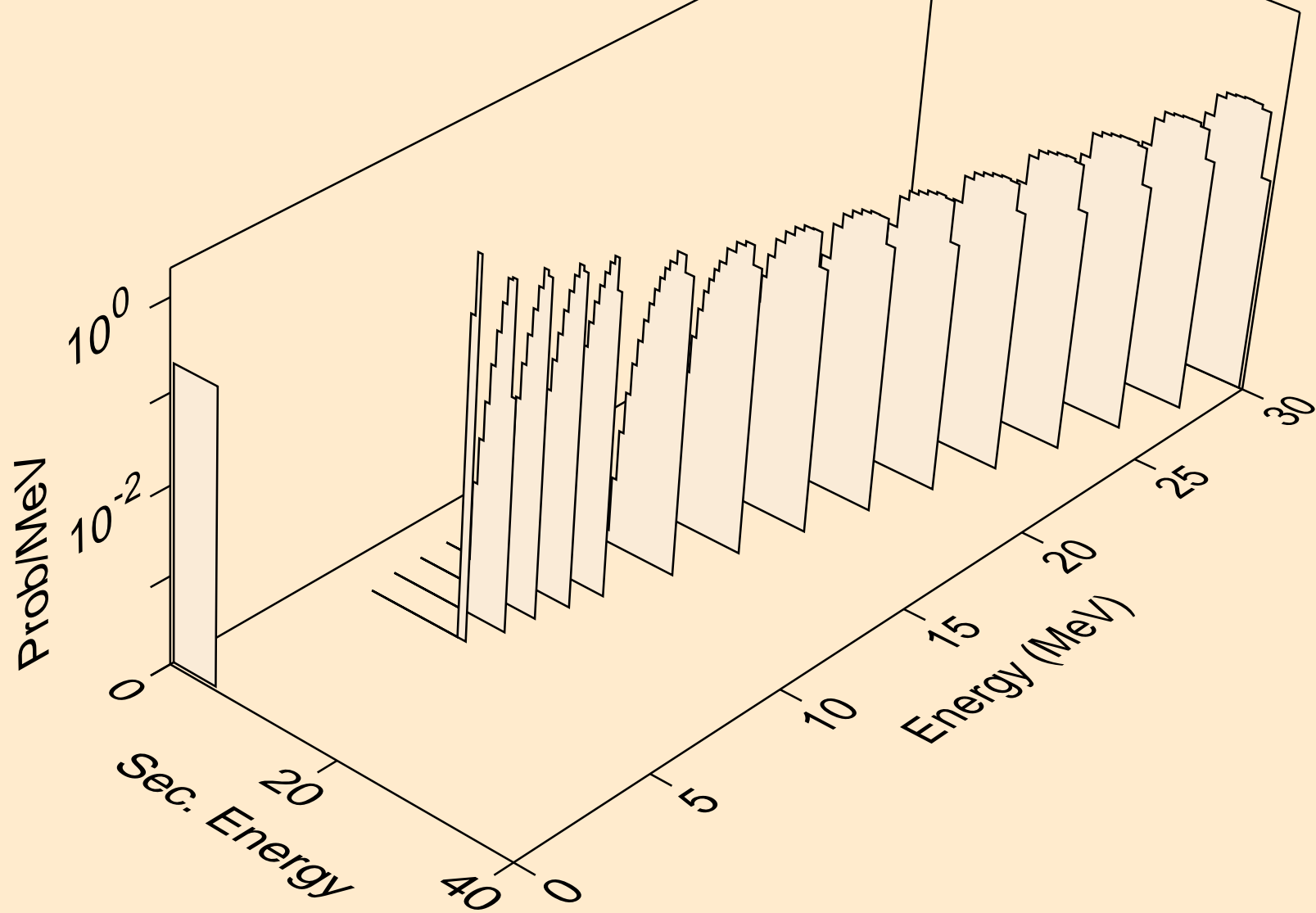
LU185 HELION ACER TENDL-2021 LIBRARY; T=0.K
tritons from (s,pt)



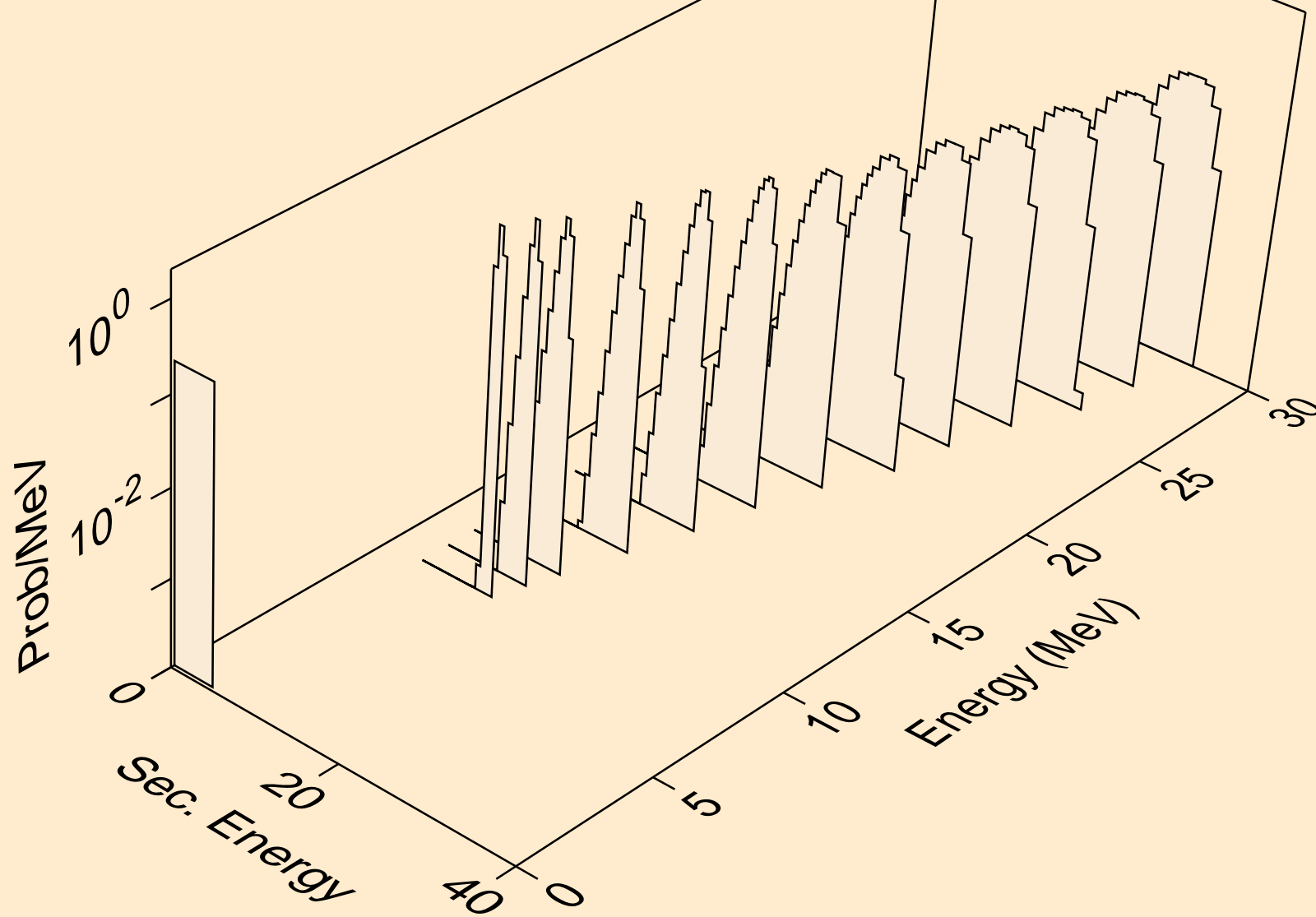
LU185 HELION ACER TENDL-2021 LIBRARY; T=0.K
alphas from (s,x)



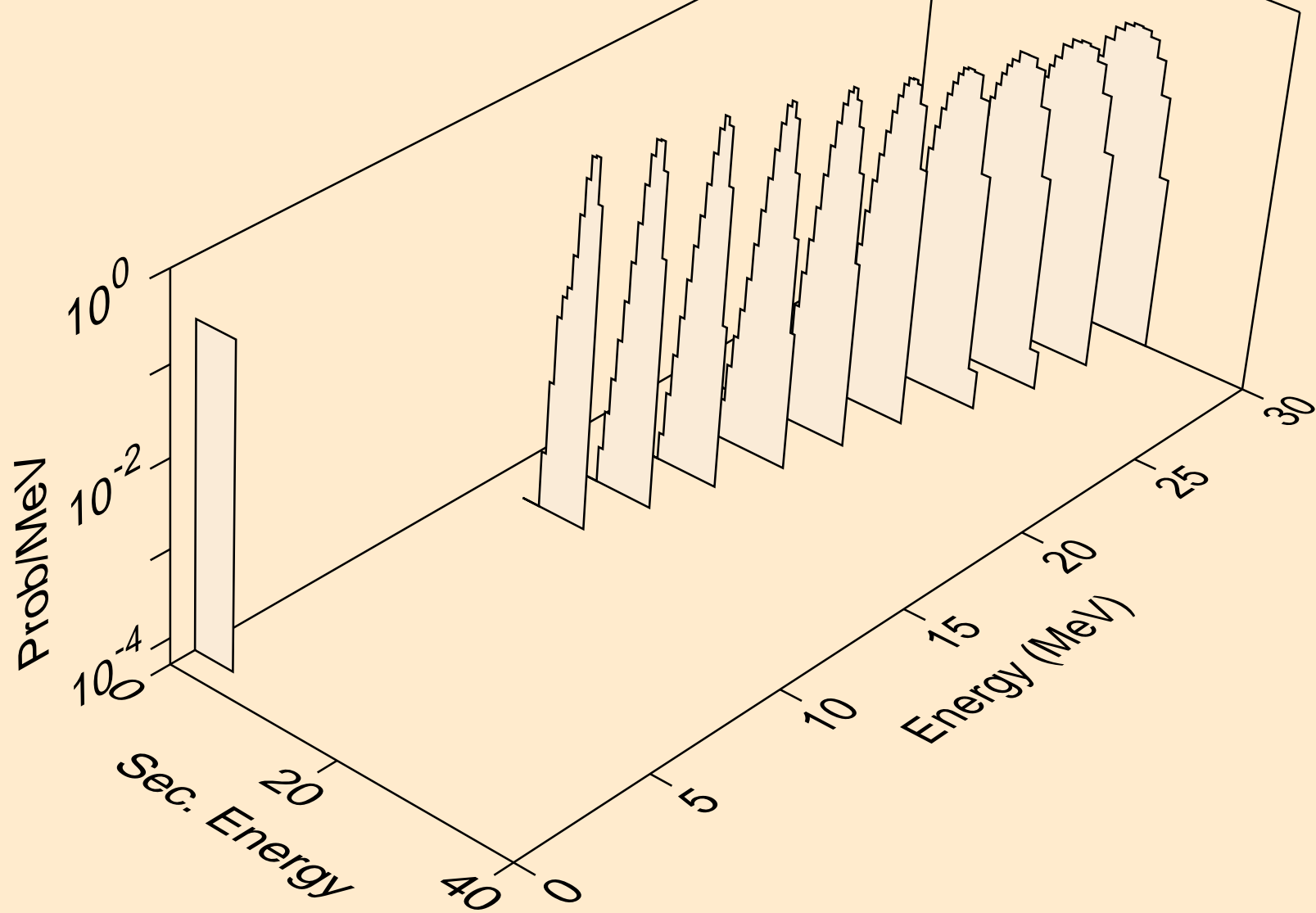
LU185 HELION ACER TENDL-2021 LIBRARY; T=0.K
alphas from (s,n*)a



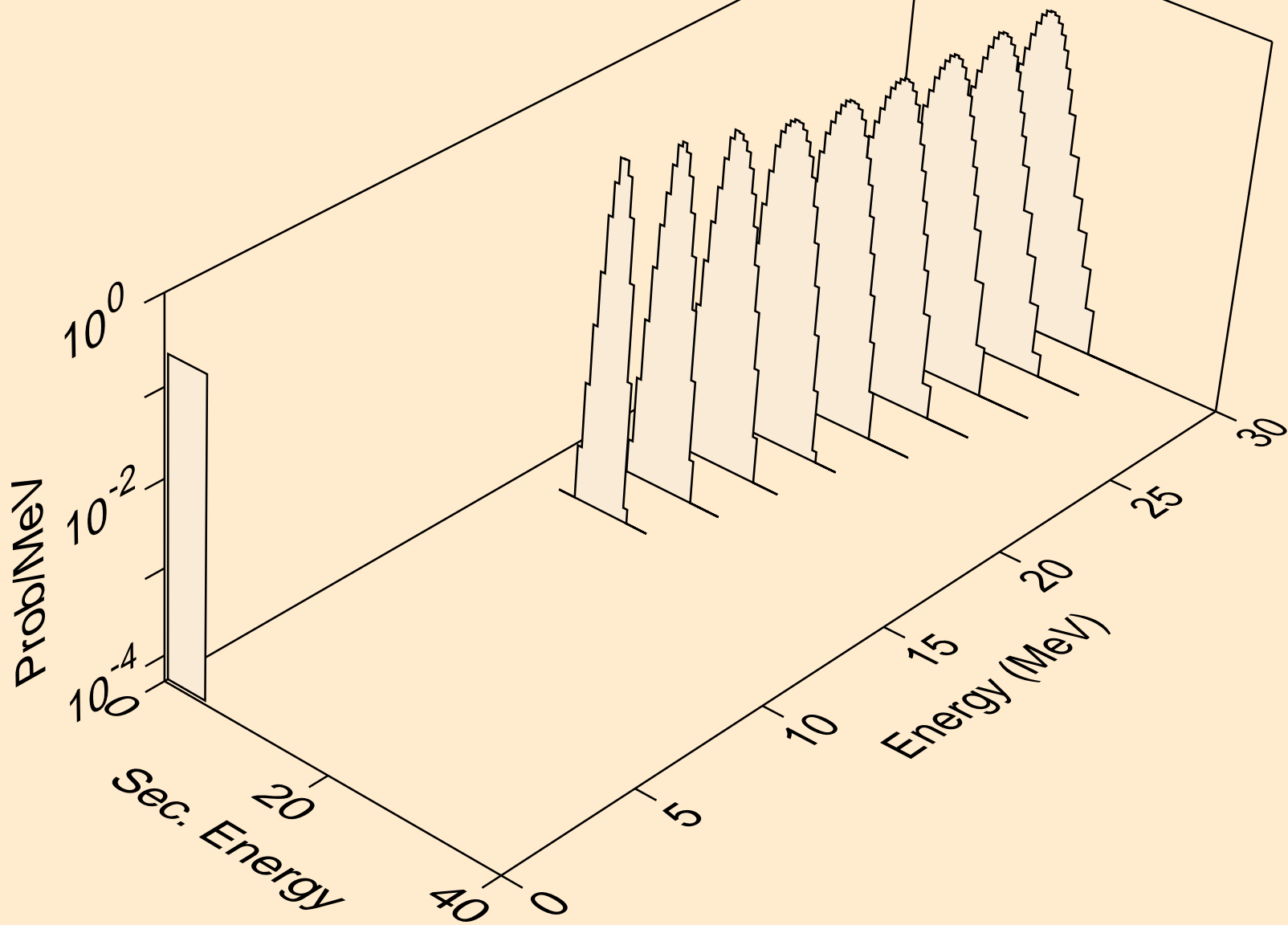
LU185 HELION ACER TENDL-2021 LIBRARY; T=0.K
alphas from (s,2n)a



LU185 HELION ACER TENDL-2021 LIBRARY; T=0.K
alphas from (s,3n)a



LU185 HELION ACER TENDL-2021 LIBRARY; T=0.K
alphas from (s,npa)



LU185 HELION ACER TENDL-2021 LIBRARY; T=0.K
alphas from (s,a)

