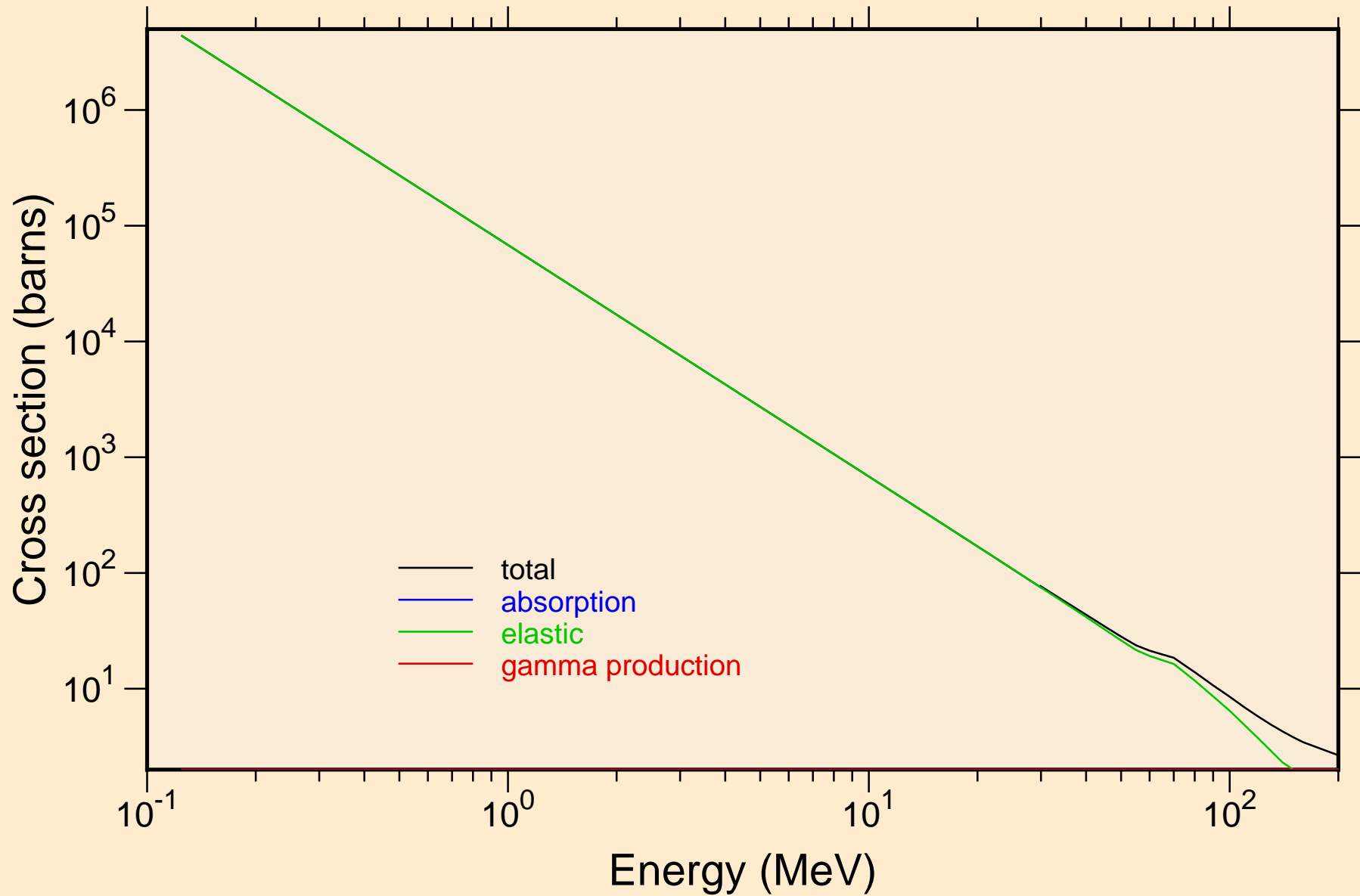
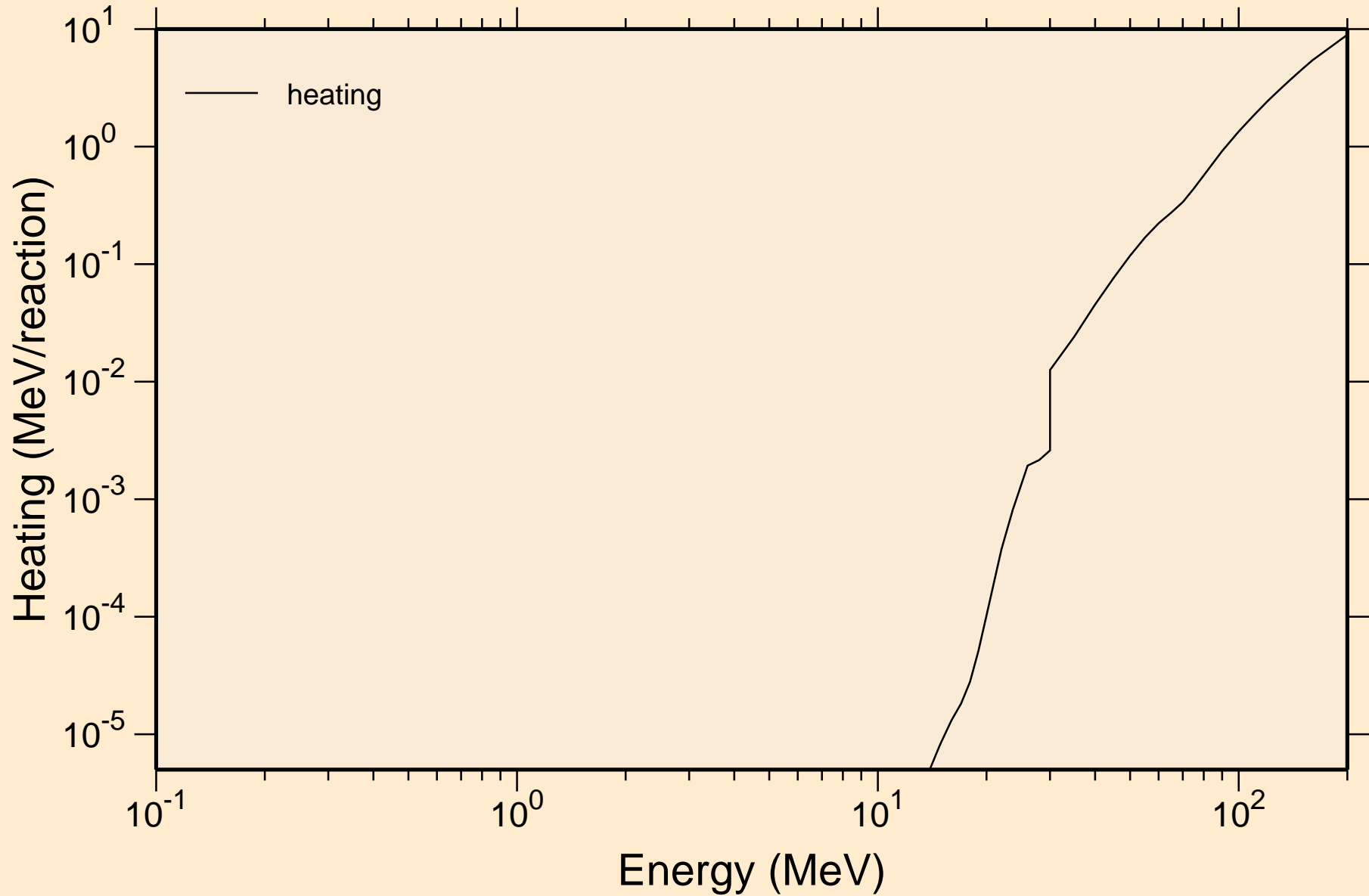


DB255 PROTON ACER TENDL-2021 LIBRARY; T=0.K
Principal cross sections



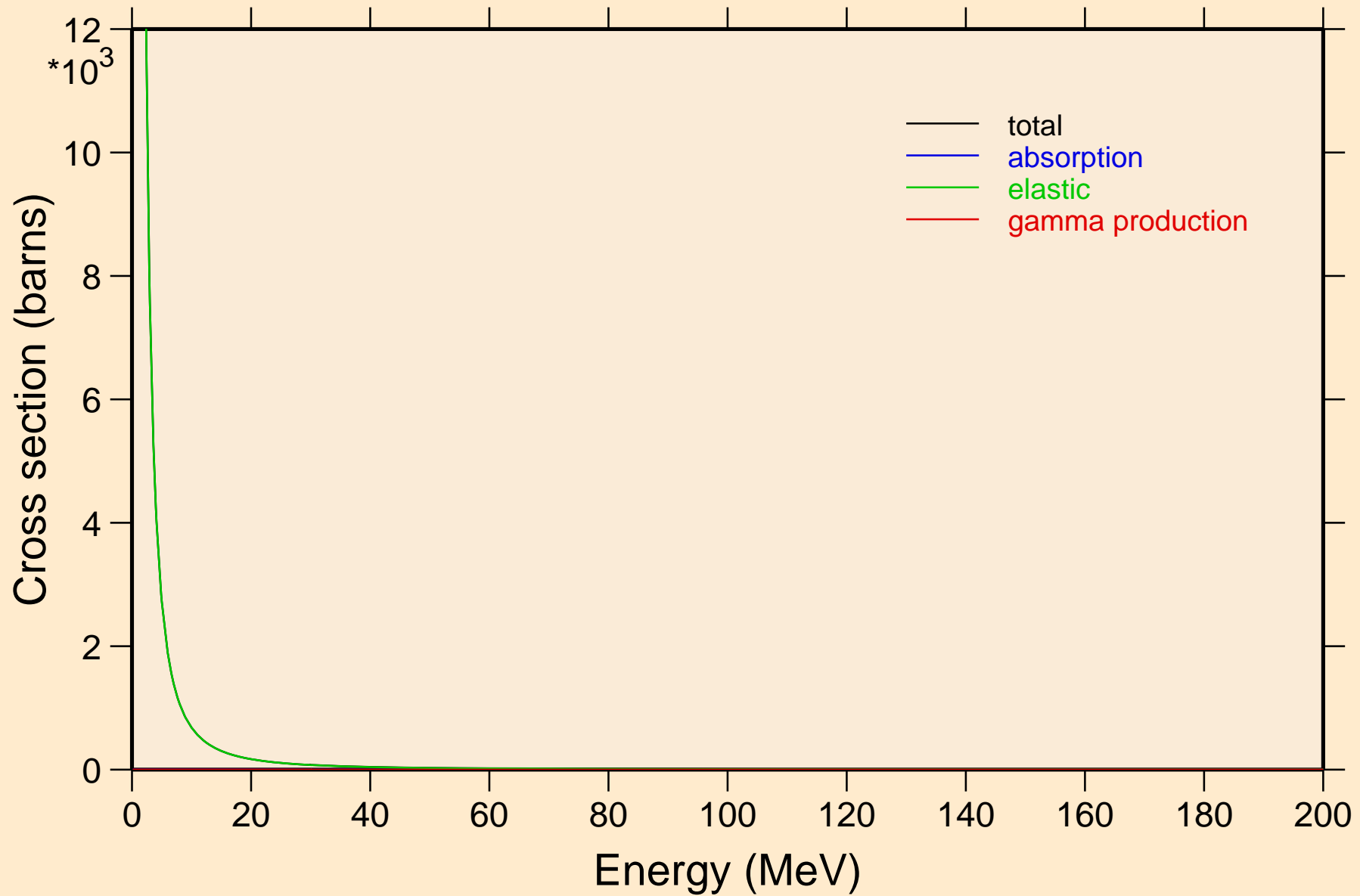
DB255 PROTON ACER TENDL-2021 LIBRARY; T=0.K

Heating



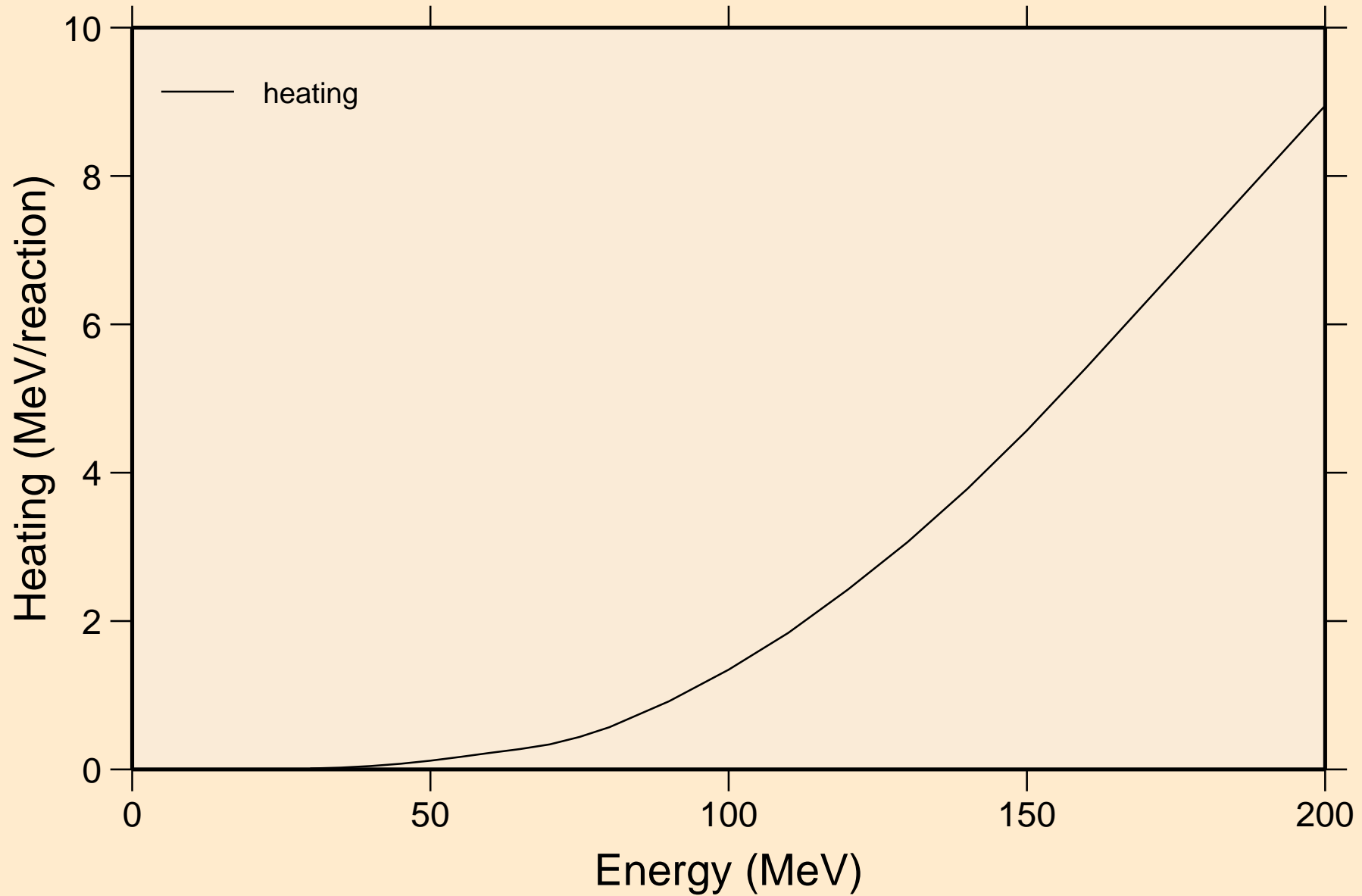
DB255 PROTON ACER TENDL-2021 LIBRARY; T=0.K

Principal cross sections

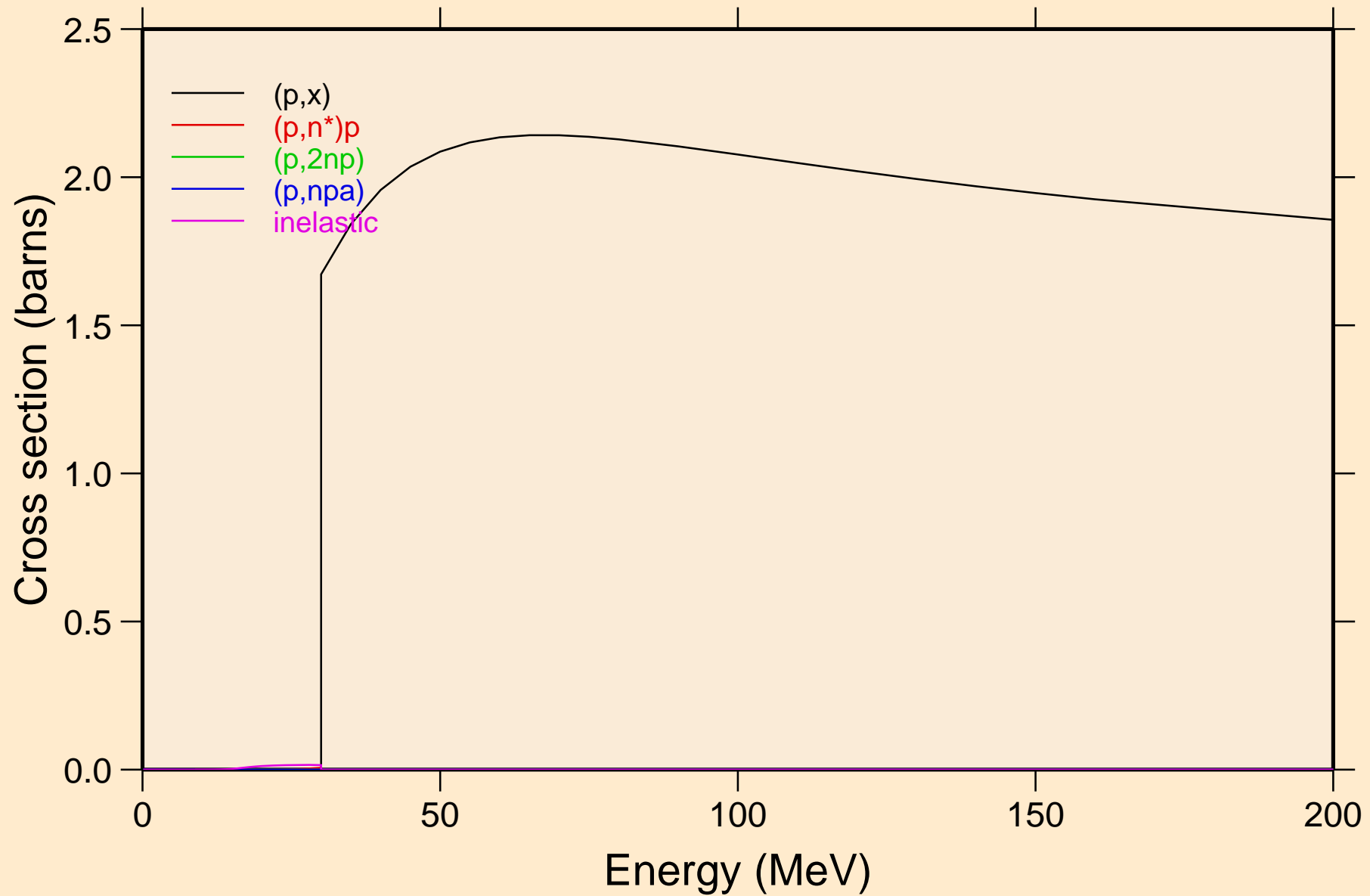


DB255 PROTON ACER TENDL-2021 LIBRARY; T=0.K

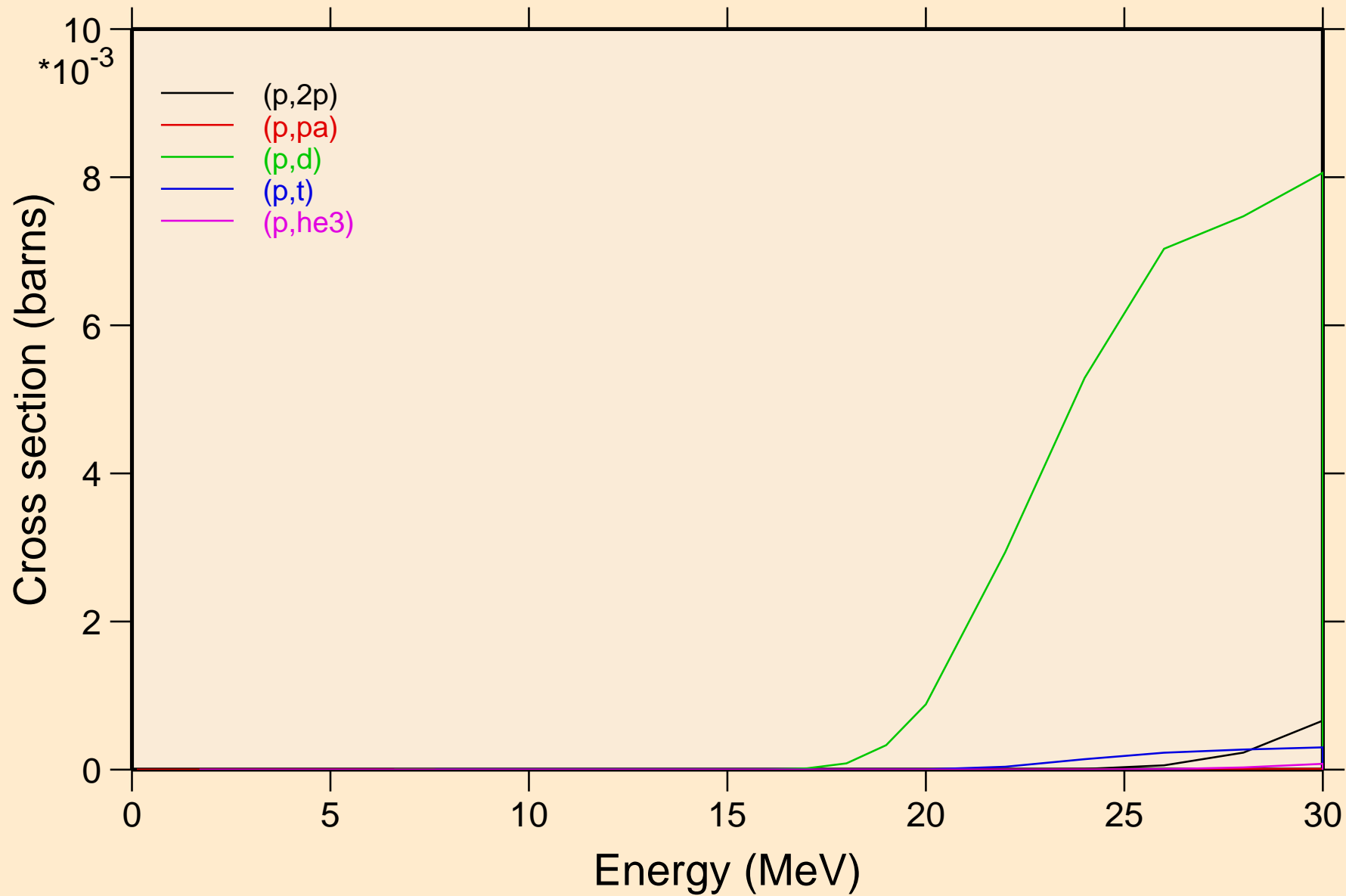
Heating



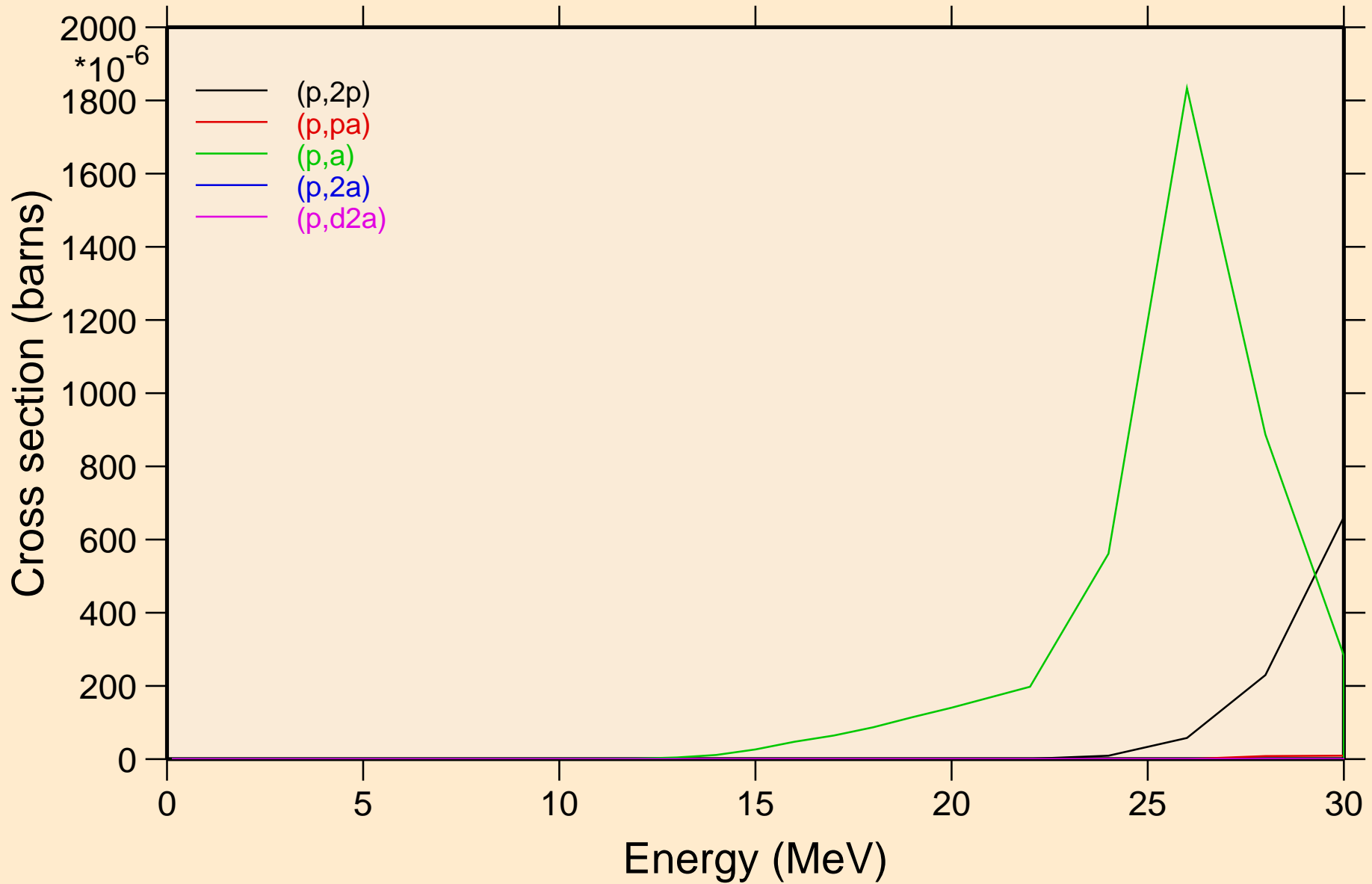
DB255 PROTON ACER TENDL-2021 LIBRARY; T=0.K
Threshold reactions



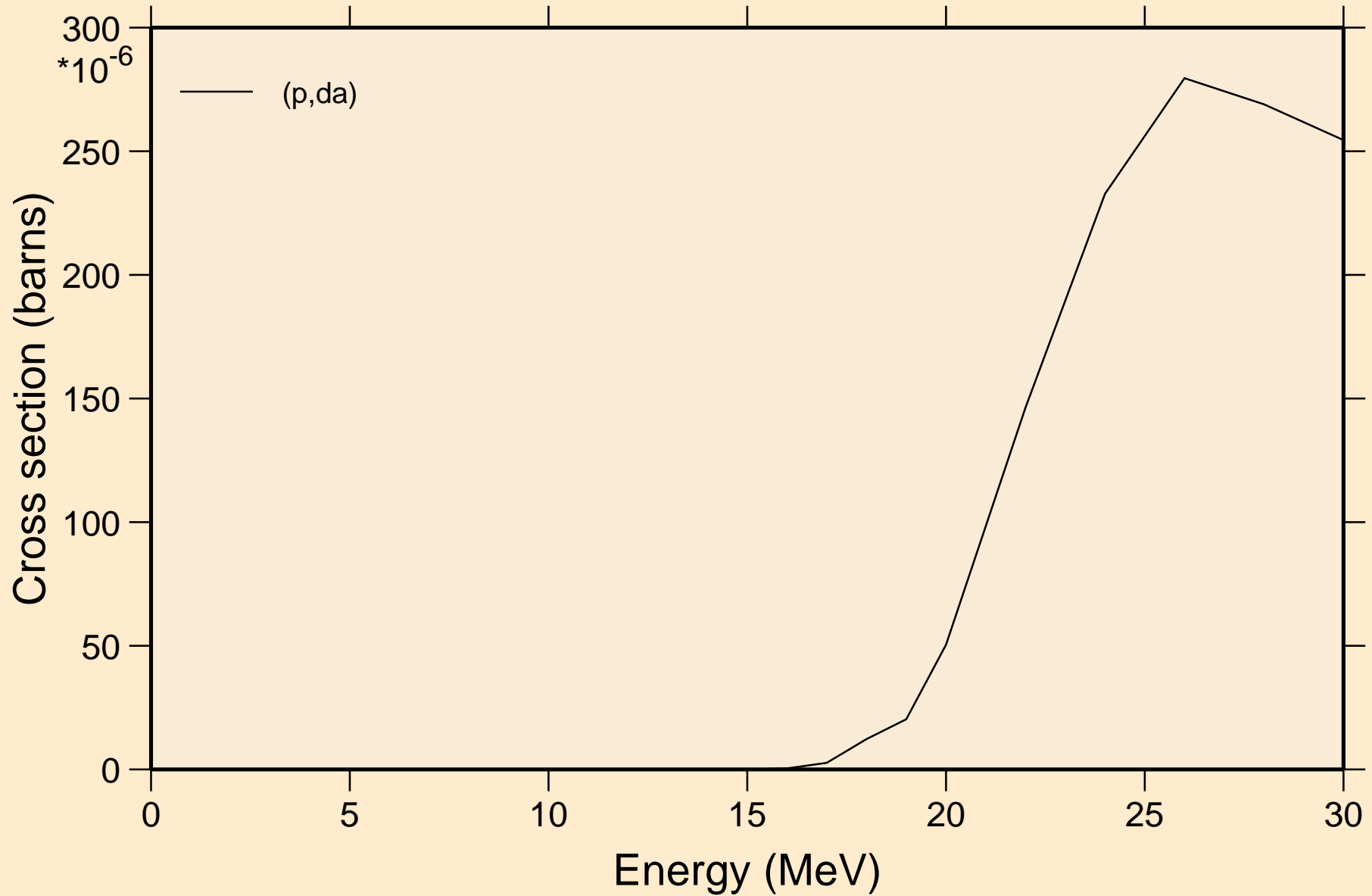
DB255 PROTON ACER TENDL-2021 LIBRARY; T=0.K
Threshold reactions



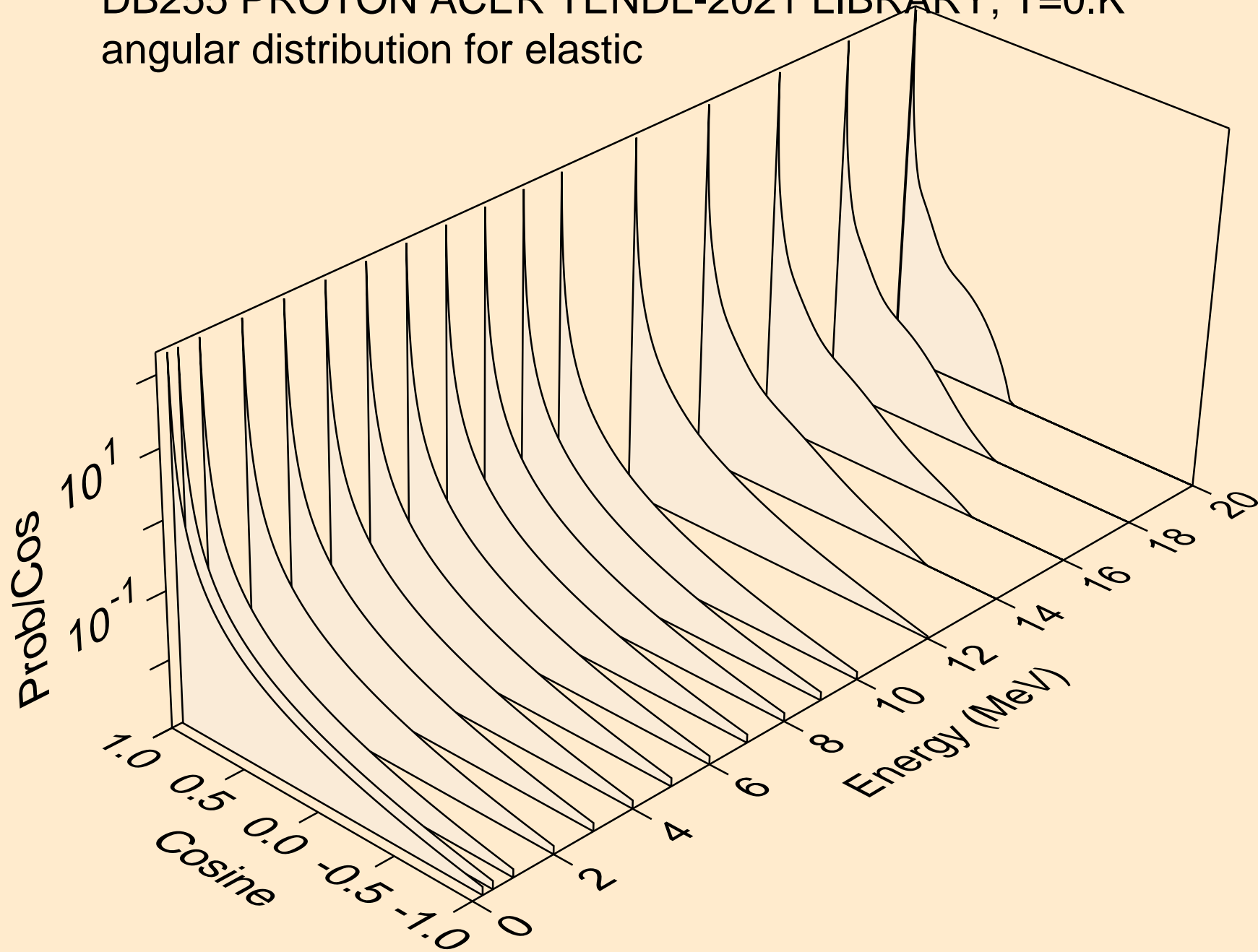
DB255 PROTON ACER TENDL-2021 LIBRARY; T=0.K
Threshold reactions



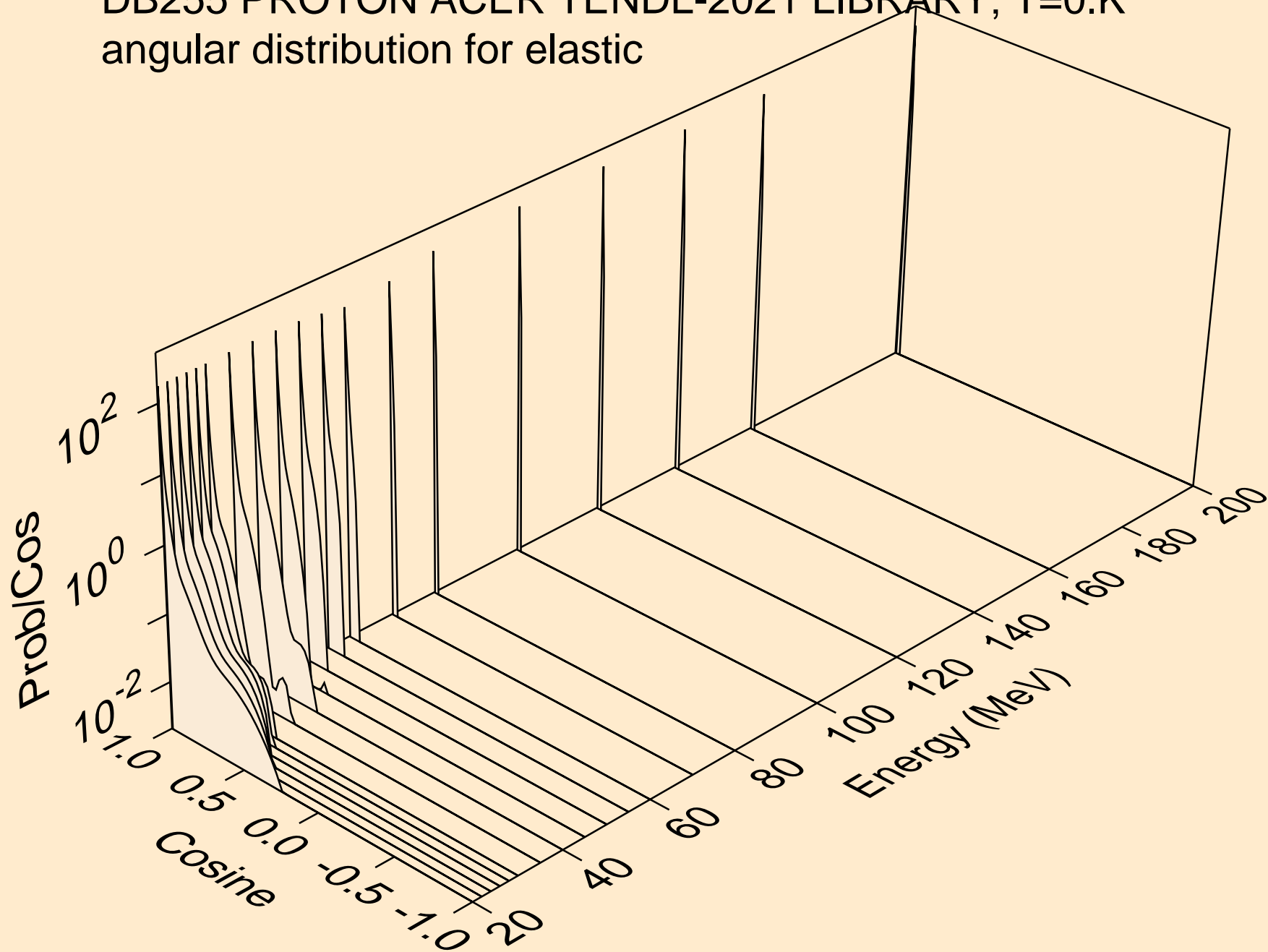
DB255 PROTON ACER TENDL-2021 LIBRARY; T=0.K
Threshold reactions



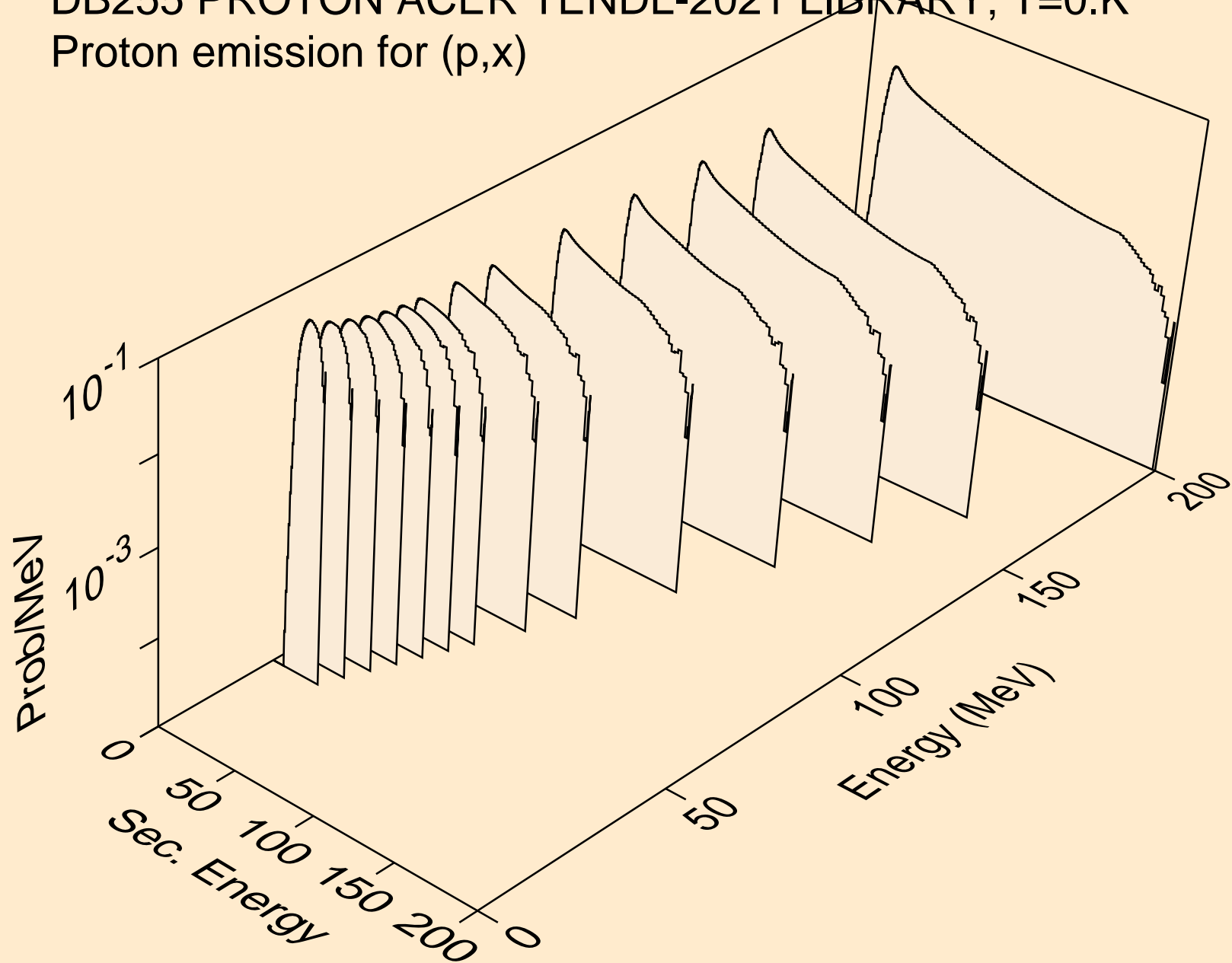
DB255 PROTON ACER TENDL-2021 LIBRARY; T=0.K
angular distribution for elastic



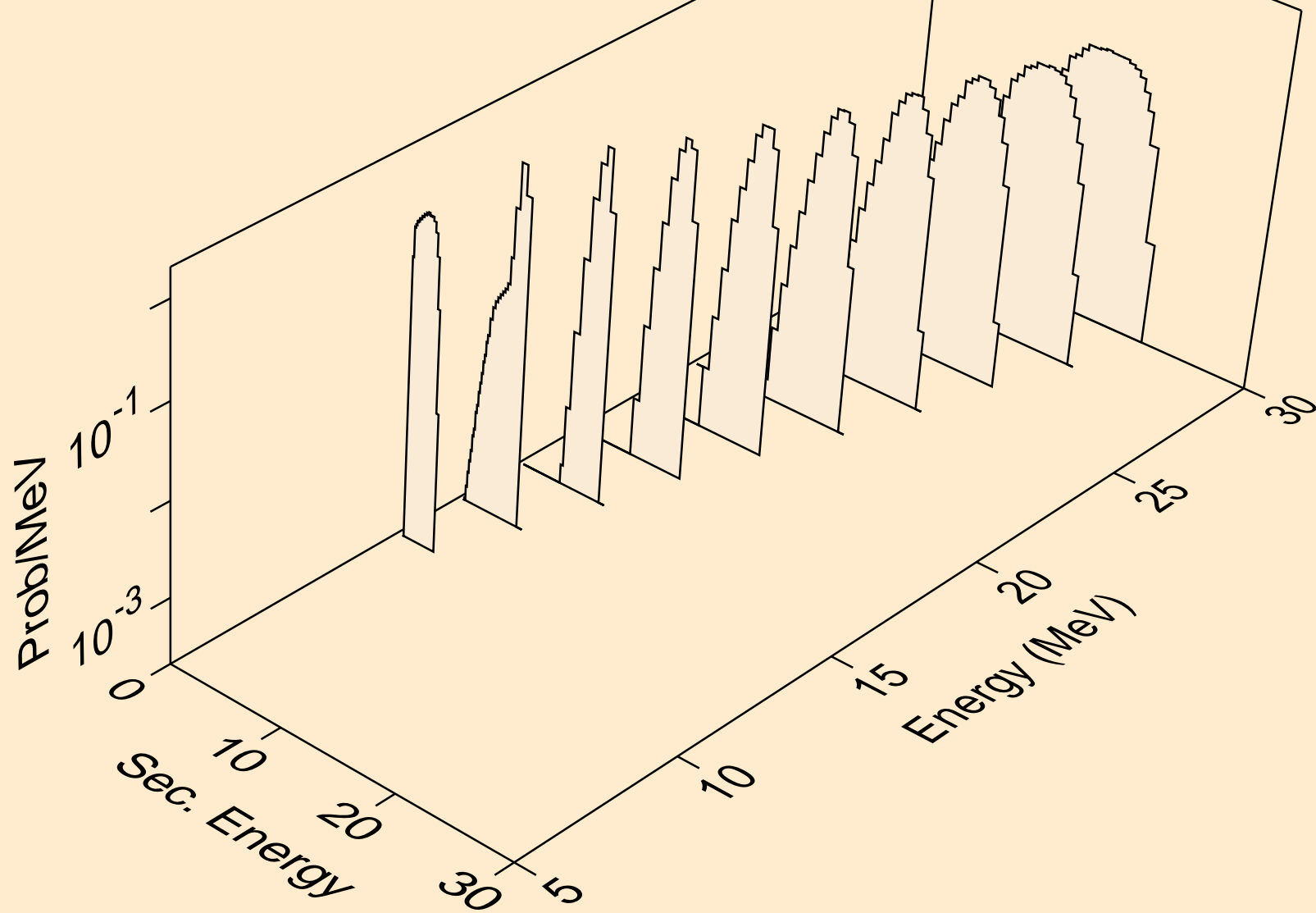
DB255 PROTON ACER TENDL-2021 LIBRARY; T=0.K
angular distribution for elastic



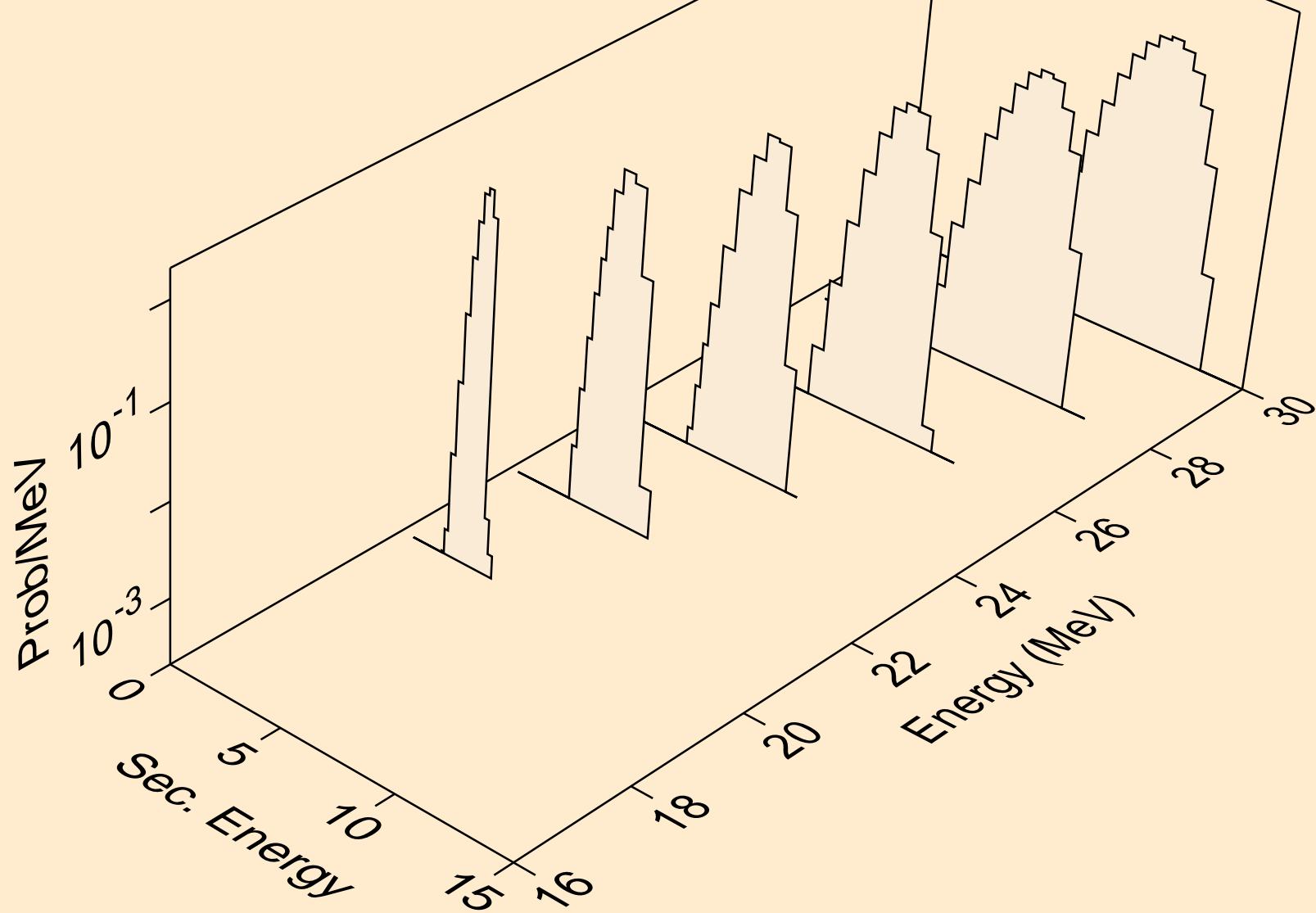
DB255 PROTON ACER TENDL-2021 LIBRARY; T=0.K
Proton emission for (p,x)



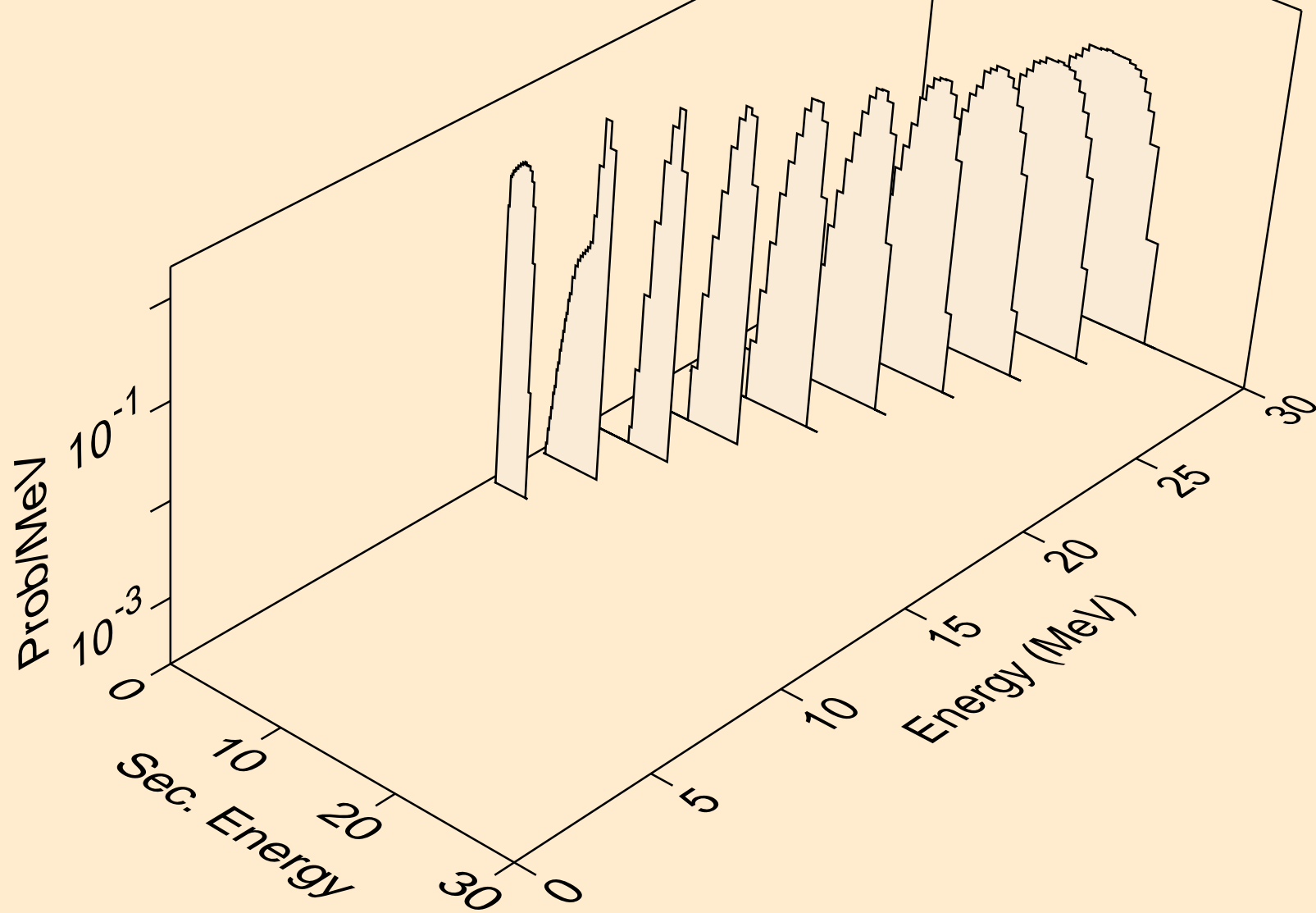
DB255 PROTON ACER TENDL-2021 LIBRARY; T=0.K
Proton emission for (p,n*)p



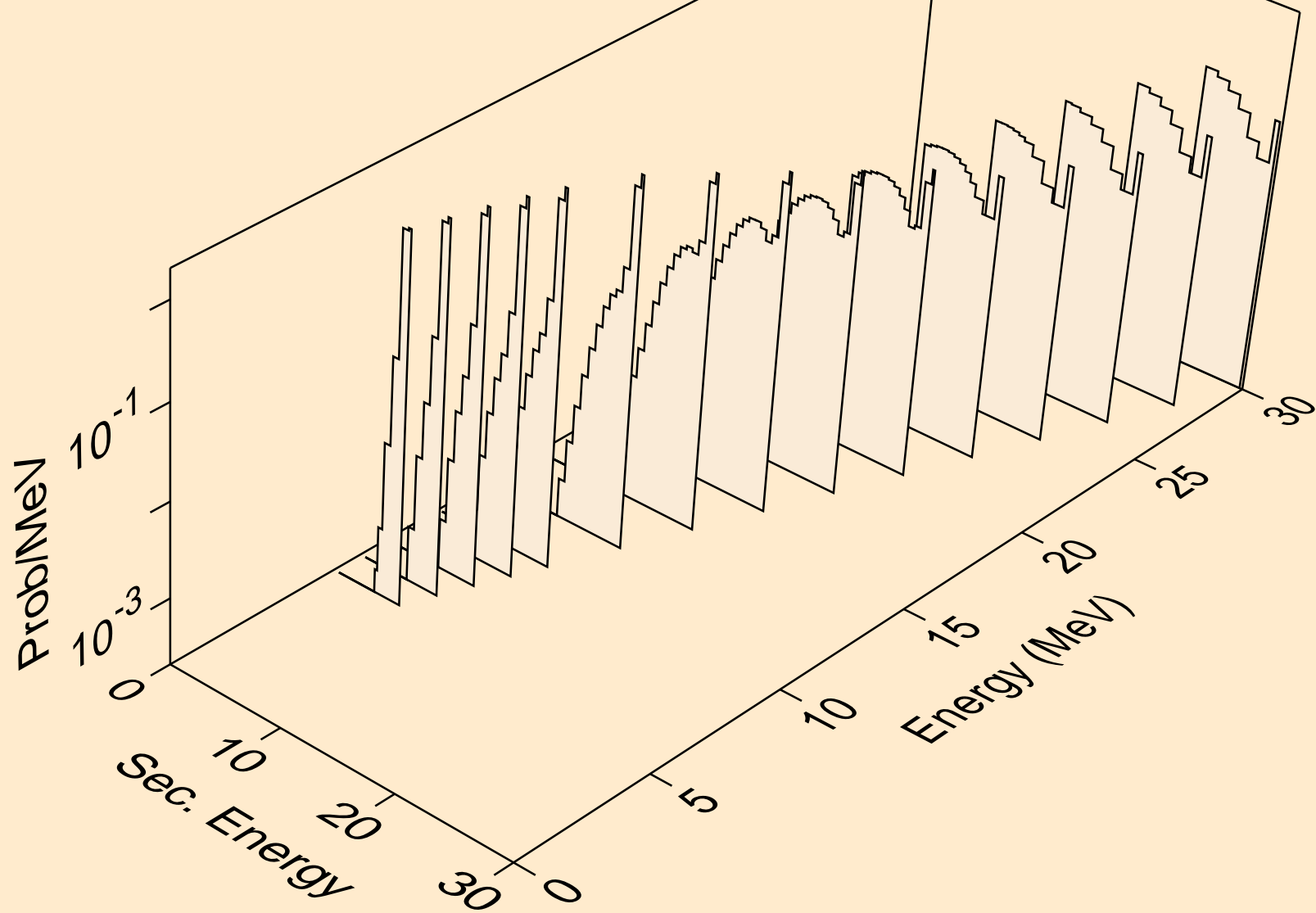
DB255 PROTON ACER TENDL-2021 LIBRARY; T=0.K
Proton emission for (p,2np)



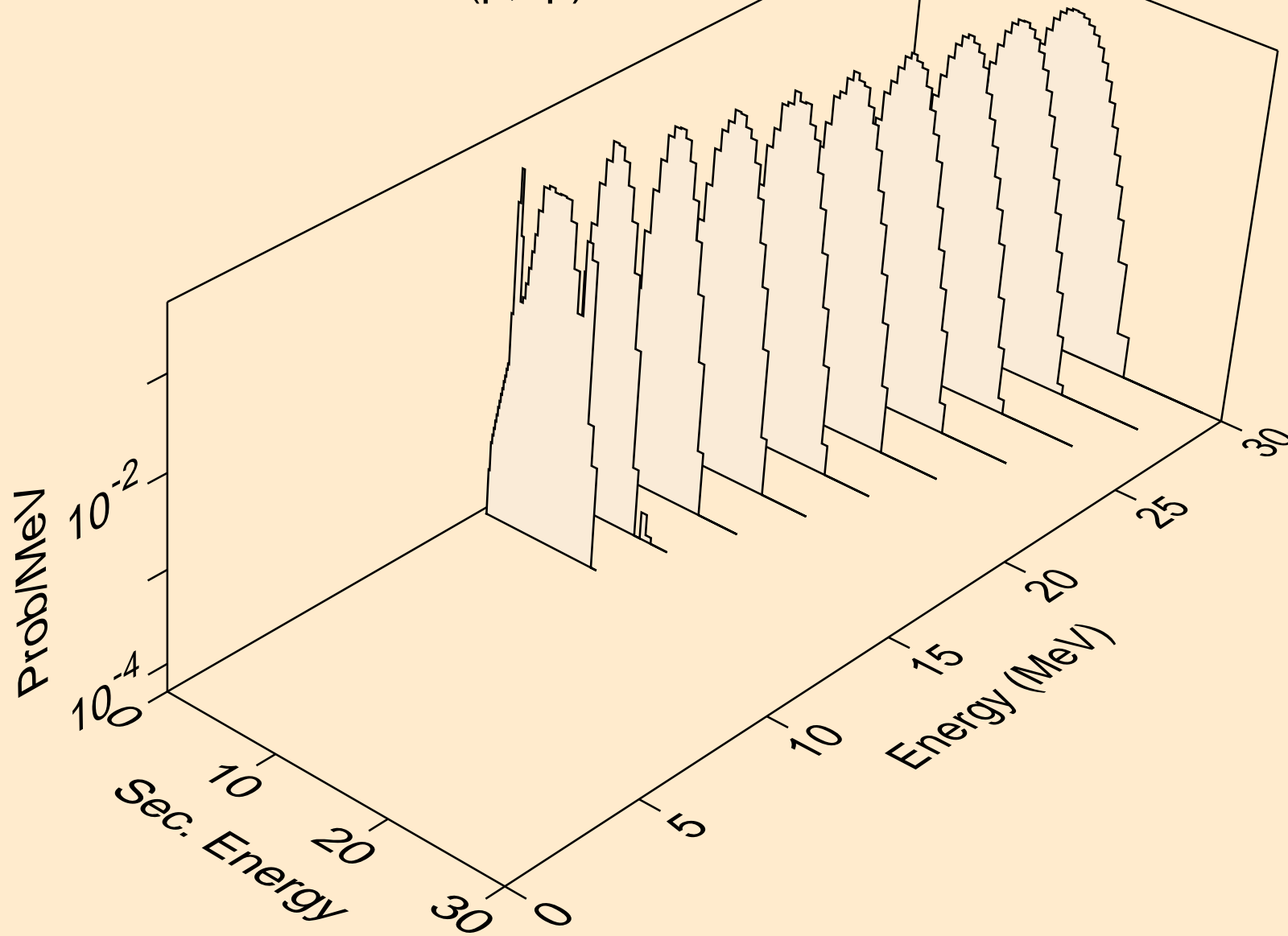
DB255 PROTON ACER TENDL-2021 LIBRARY; T=0.K
Proton emission for (p,npa)



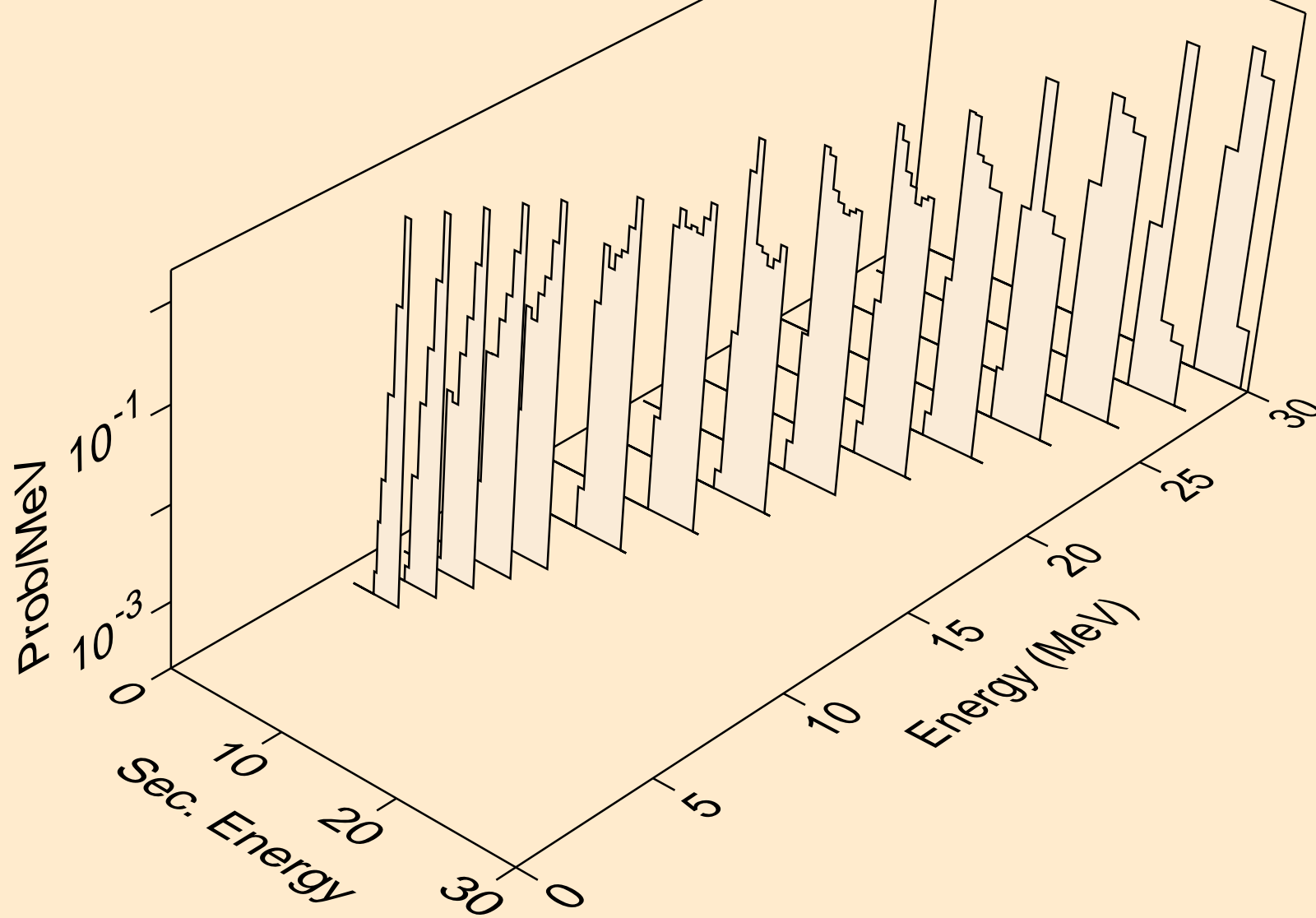
DB255 PROTON ACER TENDL-2021 LIBRARY; T=0.K
Proton emission for inelastic



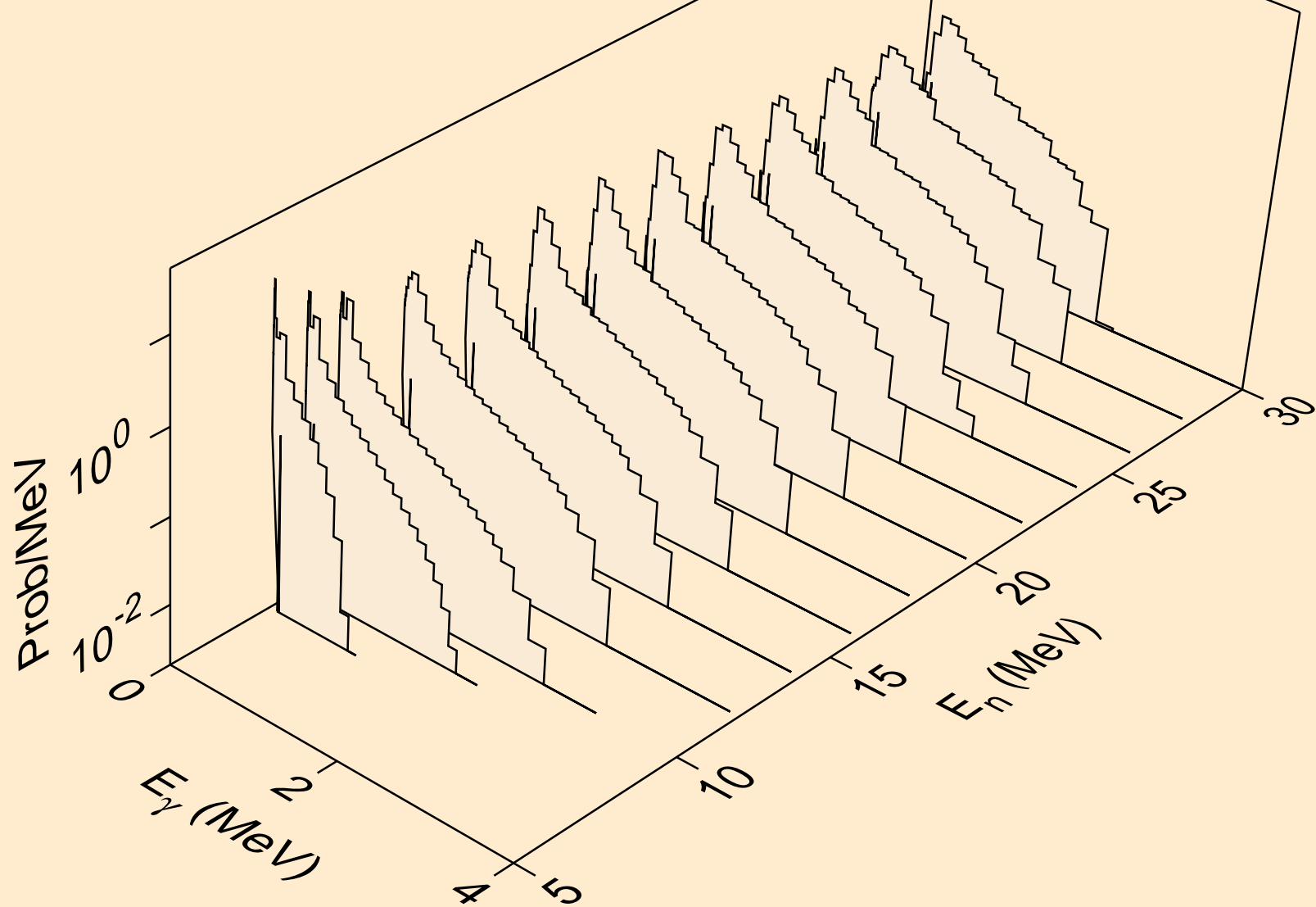
DB255 PROTON ACER TENDL-2021 LIBRARY; T=0.K
Proton emission for (p,2p)



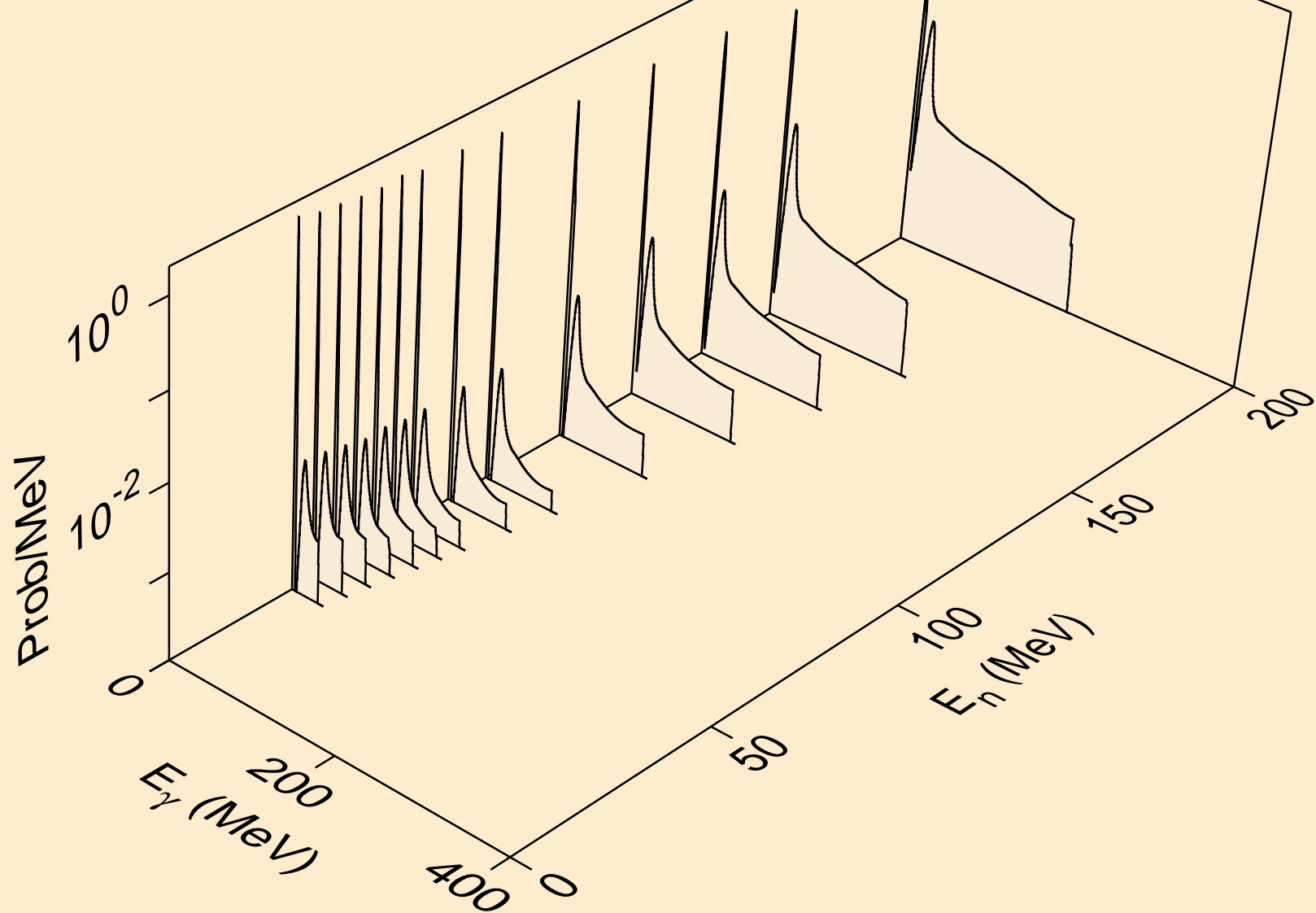
DB255 PROTON ACER TENDL-2021 LIBRARY; T=0.K
Proton emission for (p,pa)



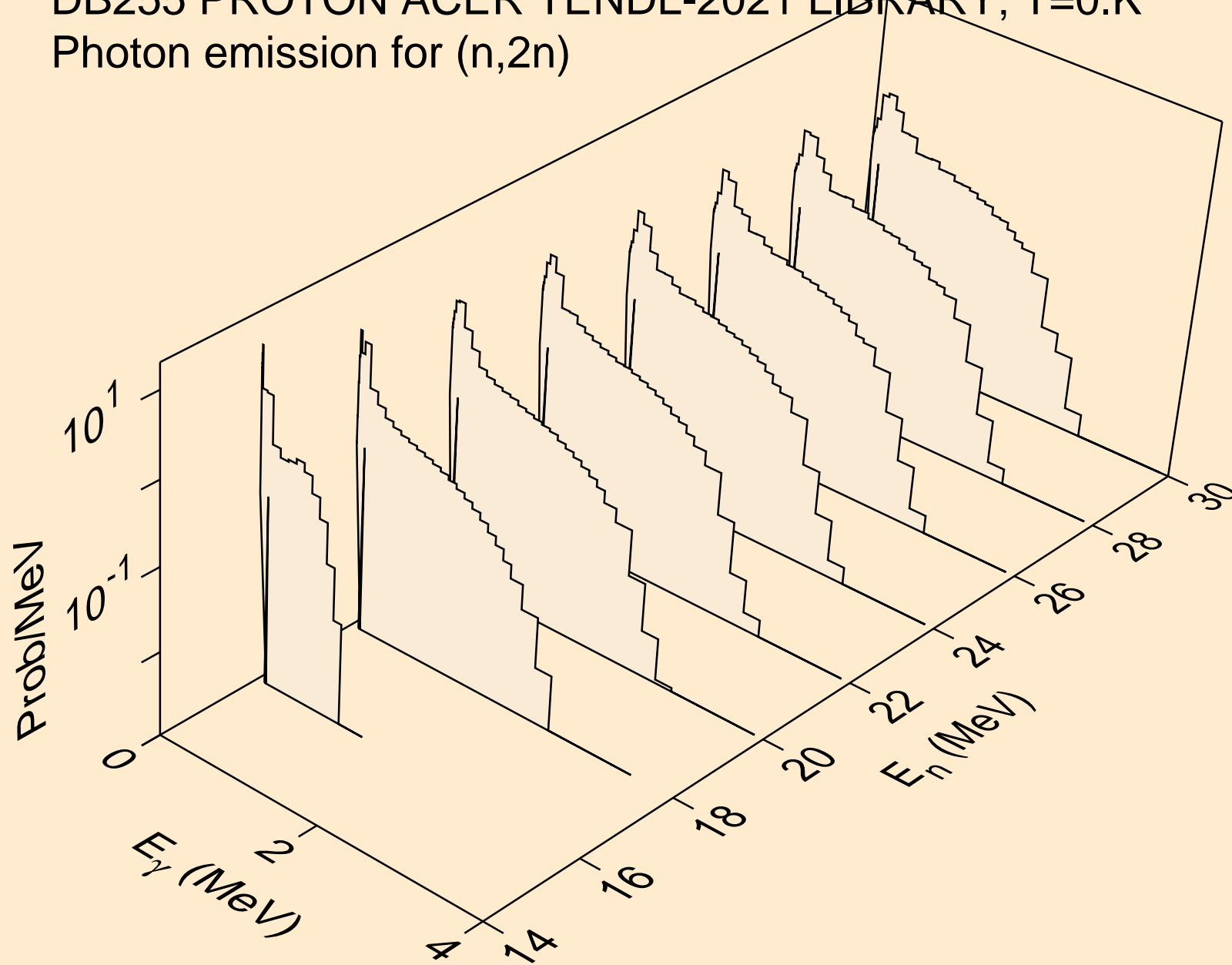
DB255 PROTON ACER TENDL-2021 LIBRARY; T=0.K
Photon emission for (z,n)



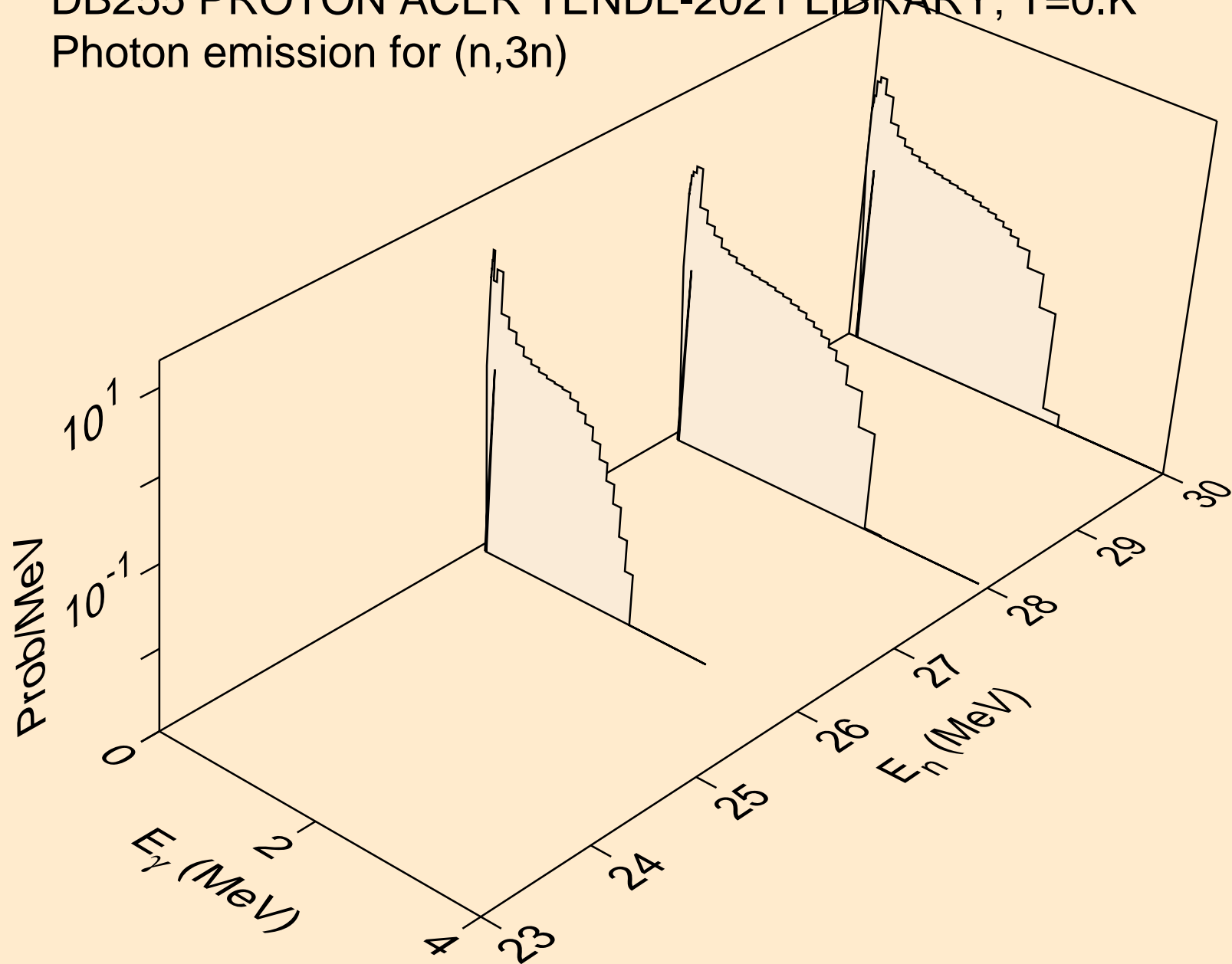
DB255 PROTON ACER TENDL-2021 LIBRARY; T=0.K
Photon emission for (n,x)



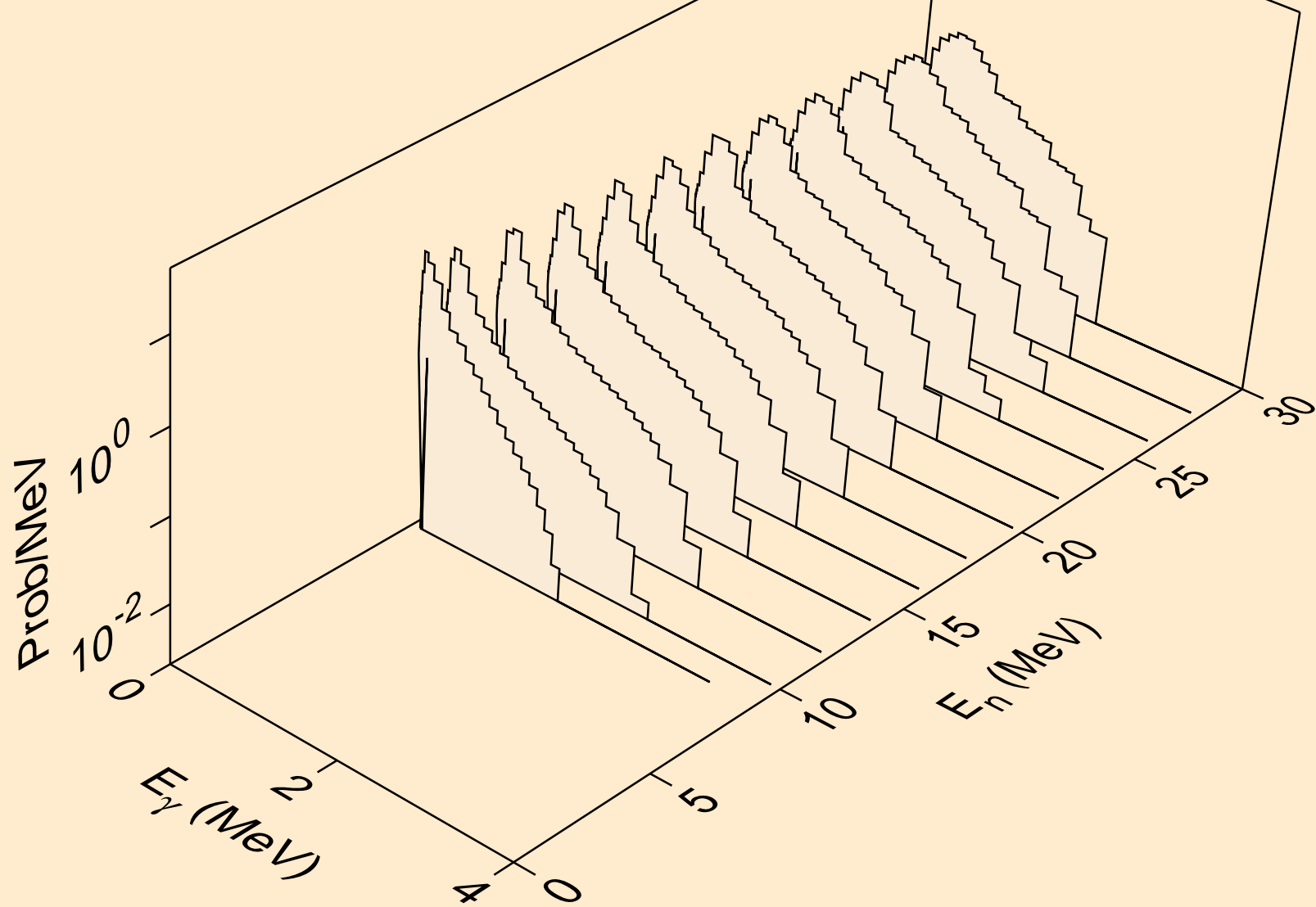
DB255 PROTON ACER TENDL-2021 LIBRARY; T=0.K
Photon emission for (n,2n)



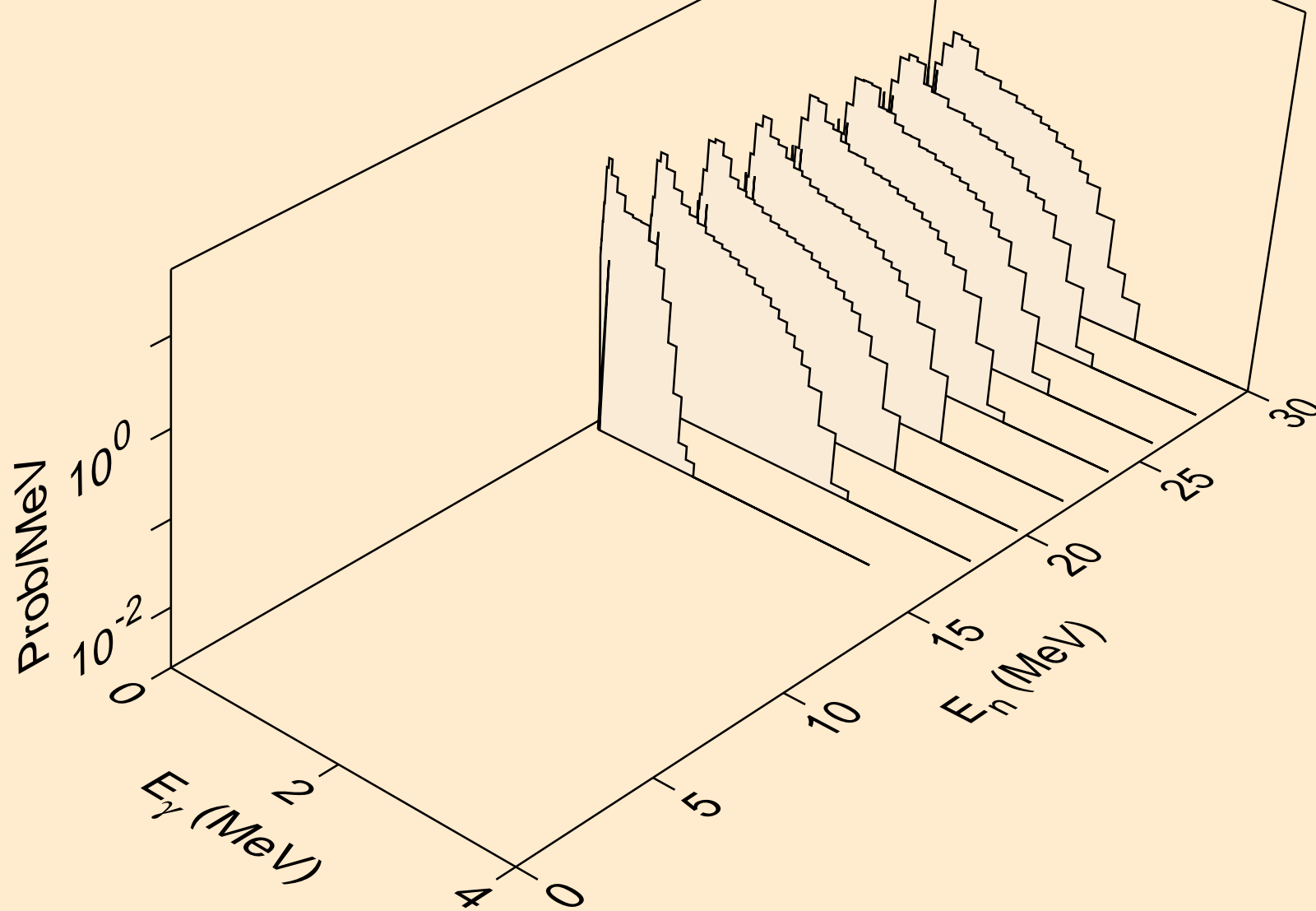
DB255 PROTON ACER TENDL-2021 LIBRARY; T=0.K
Photon emission for (n,3n)



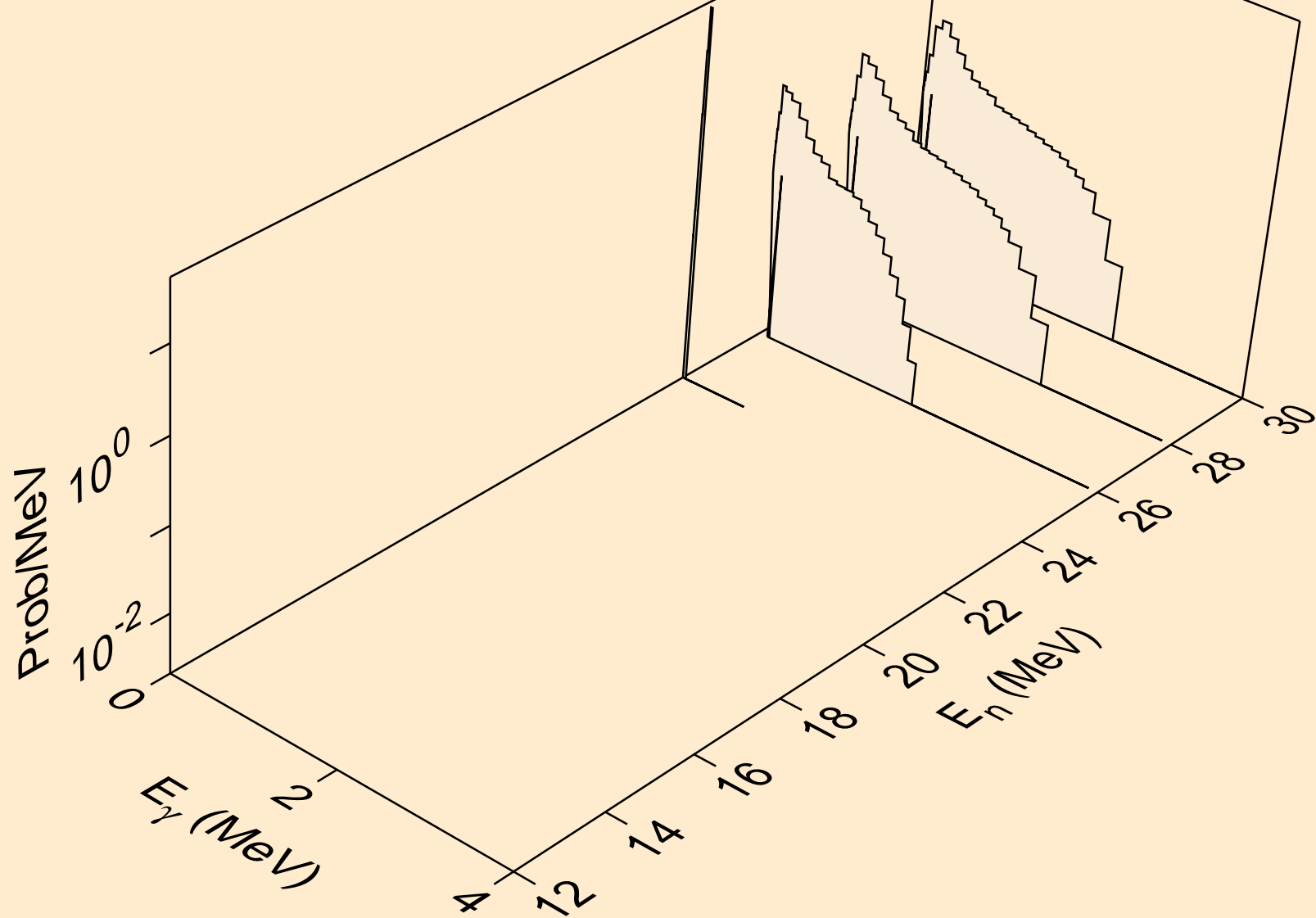
DB255 PROTON ACER TENDL-2021 LIBRARY; T=0.K
Photon emission for (n,n*)a



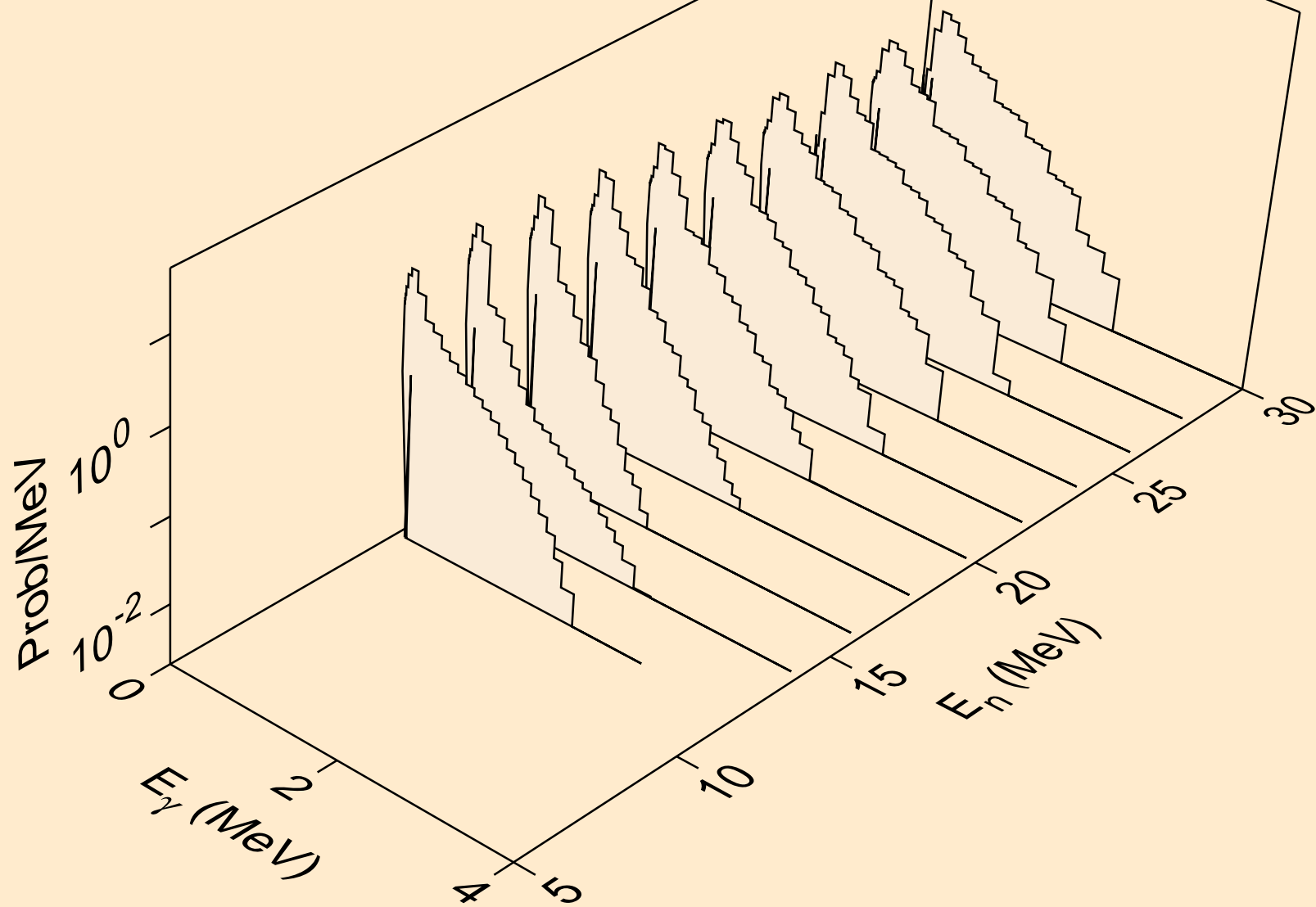
DB255 PROTON ACER TENDL-2021 LIBRARY; T=0.K
Photon emission for (n,2n)a



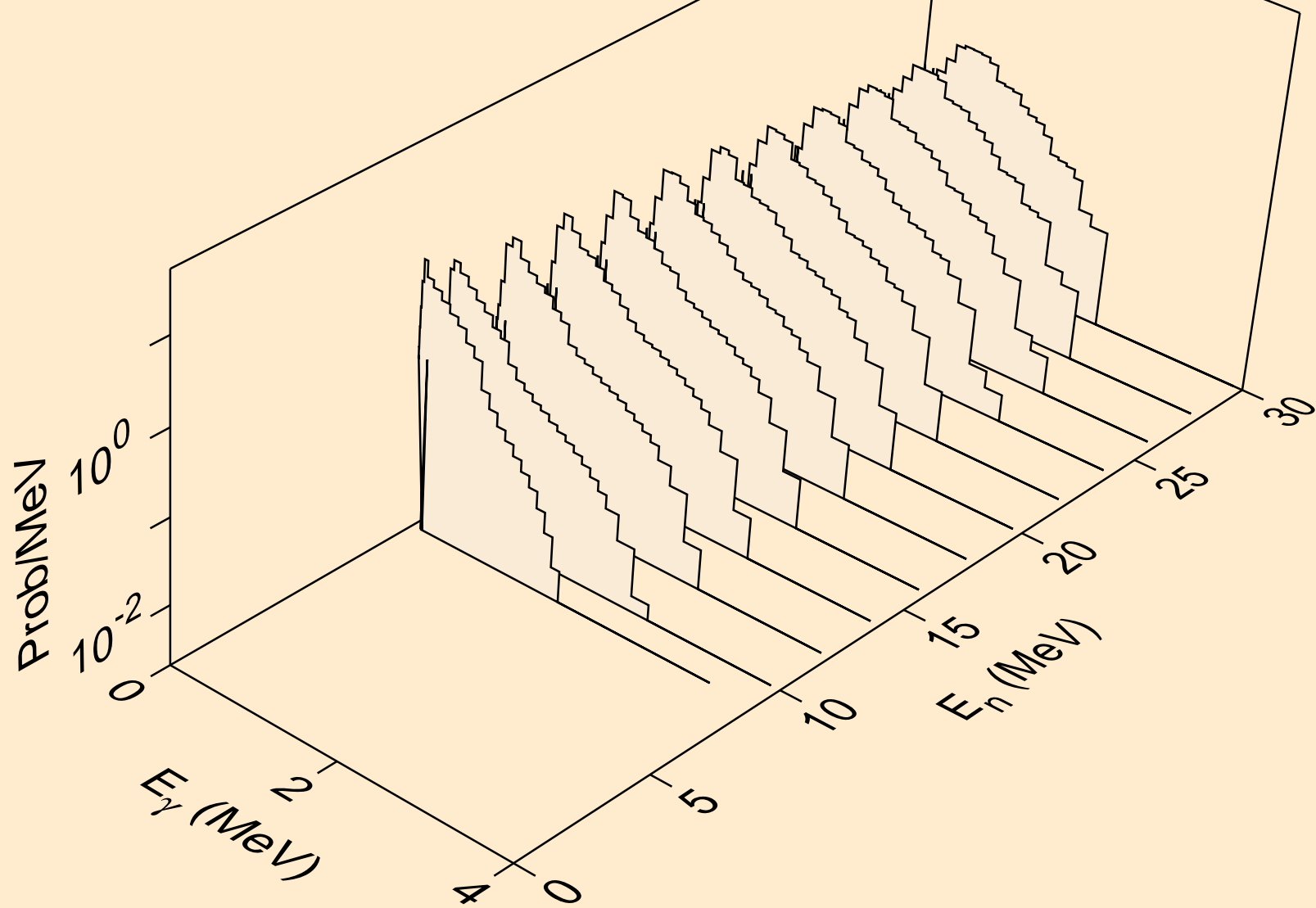
DB255 PROTON ACER TENDL-2021 LIBRARY; T=0.K
Photon emission for (n,3n)a



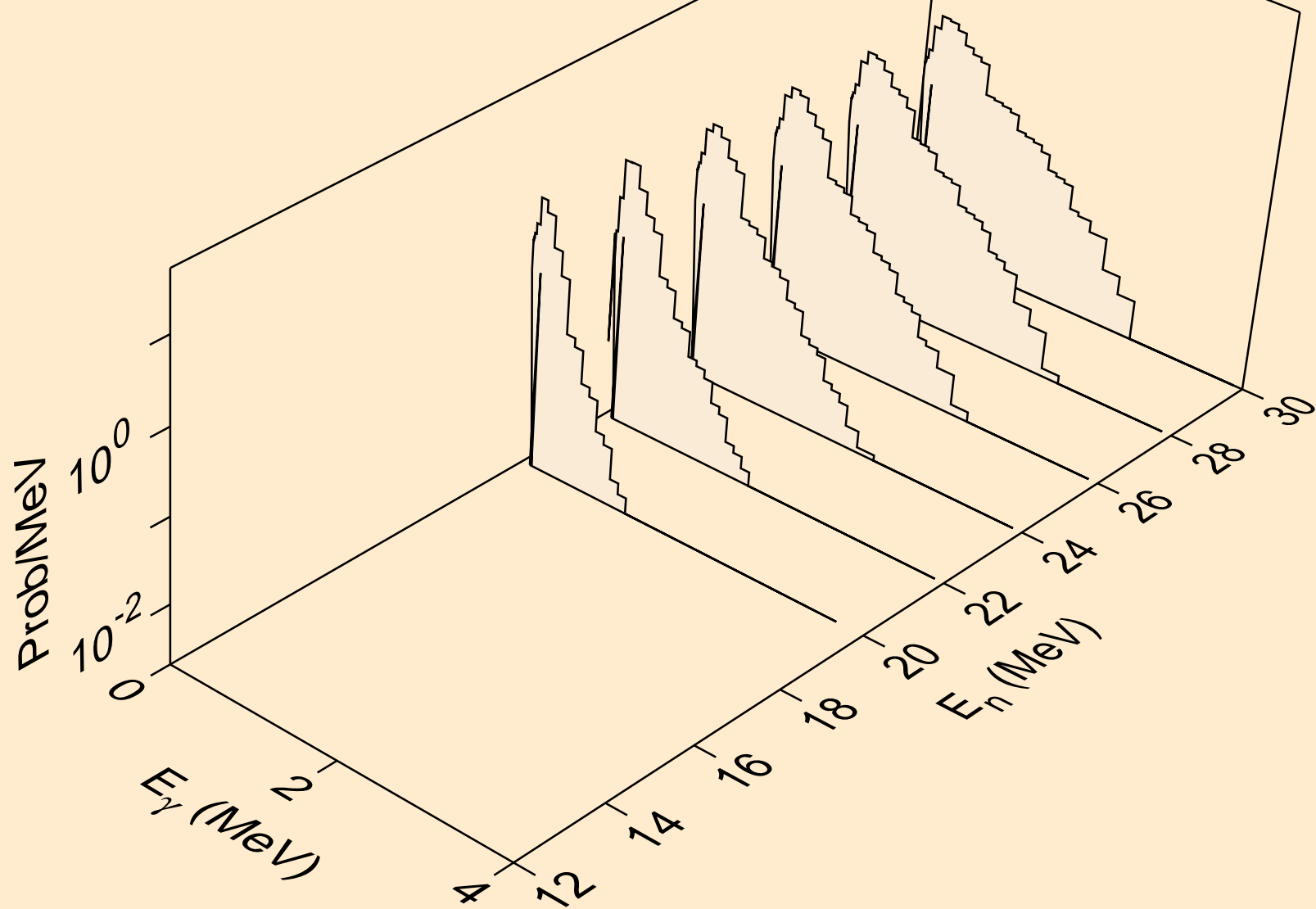
DB255 PROTON ACER TENDL-2021 LIBRARY; T=0.K
Photon emission for (n,n*)p



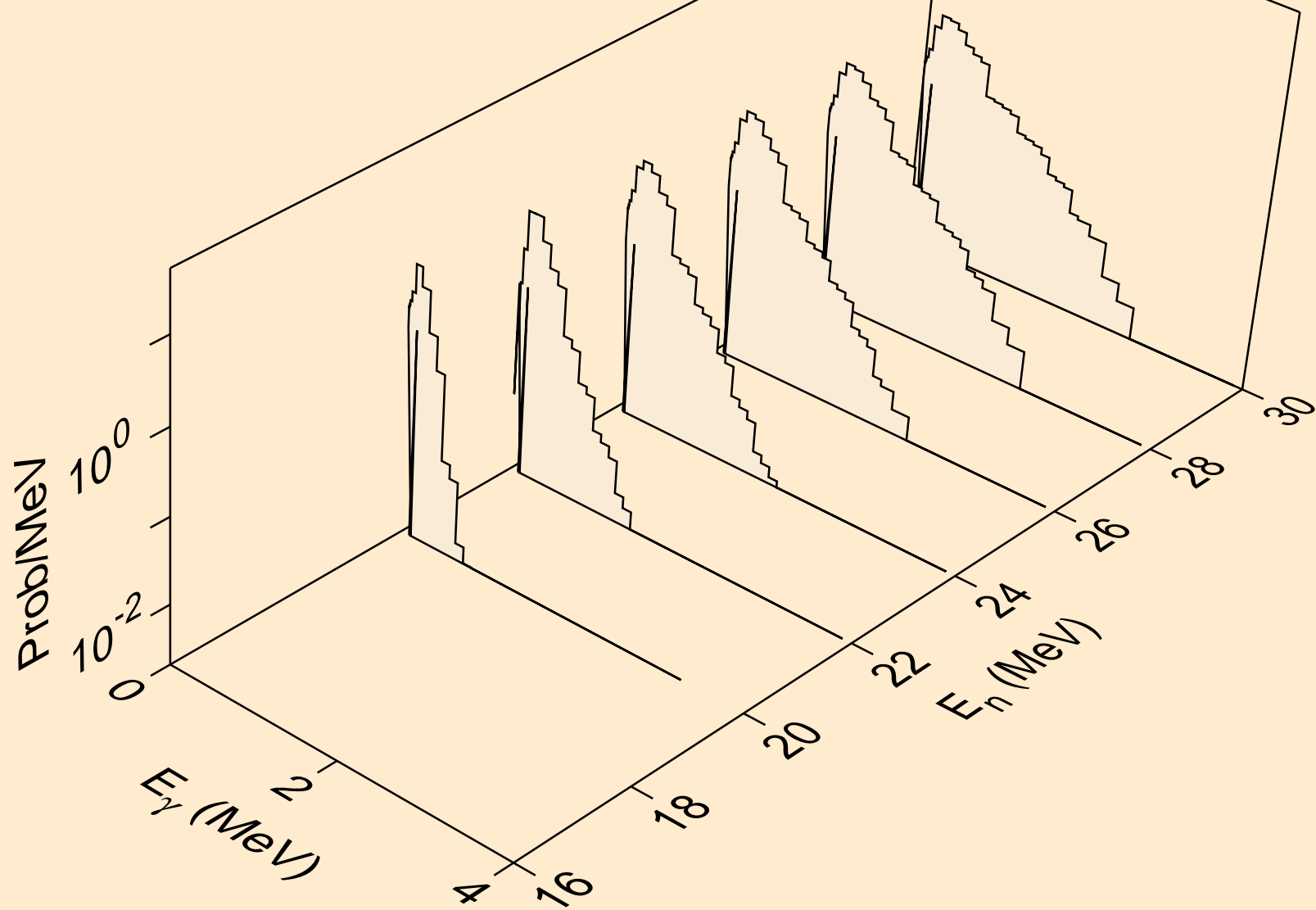
DB255 PROTON ACER TENDL-2021 LIBRARY; T=0.K
Photon emission for (n,n*)2a



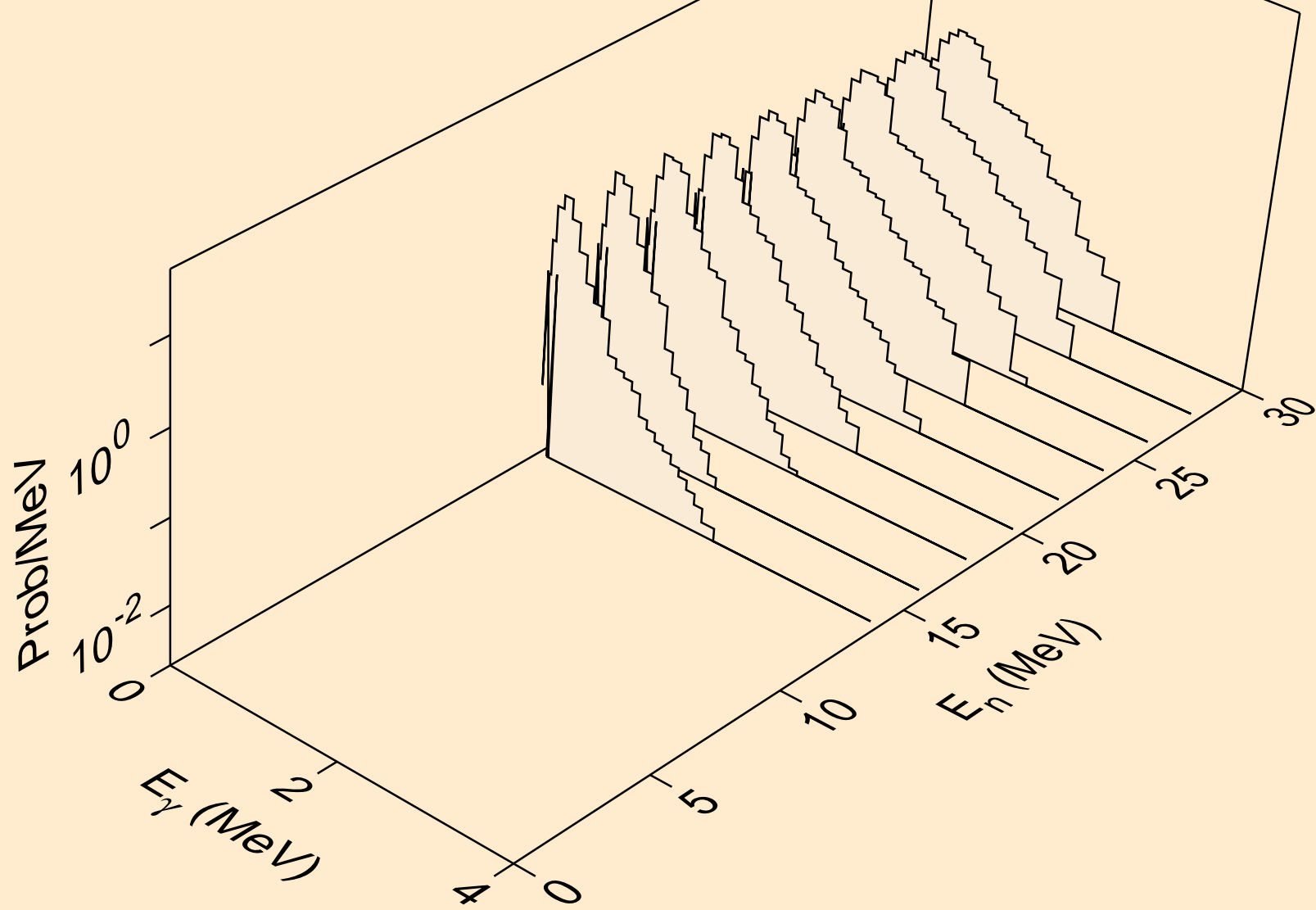
DB255 PROTON ACER TENDL-2021 LIBRARY; T=0.K
Photon emission for (n,n*)d



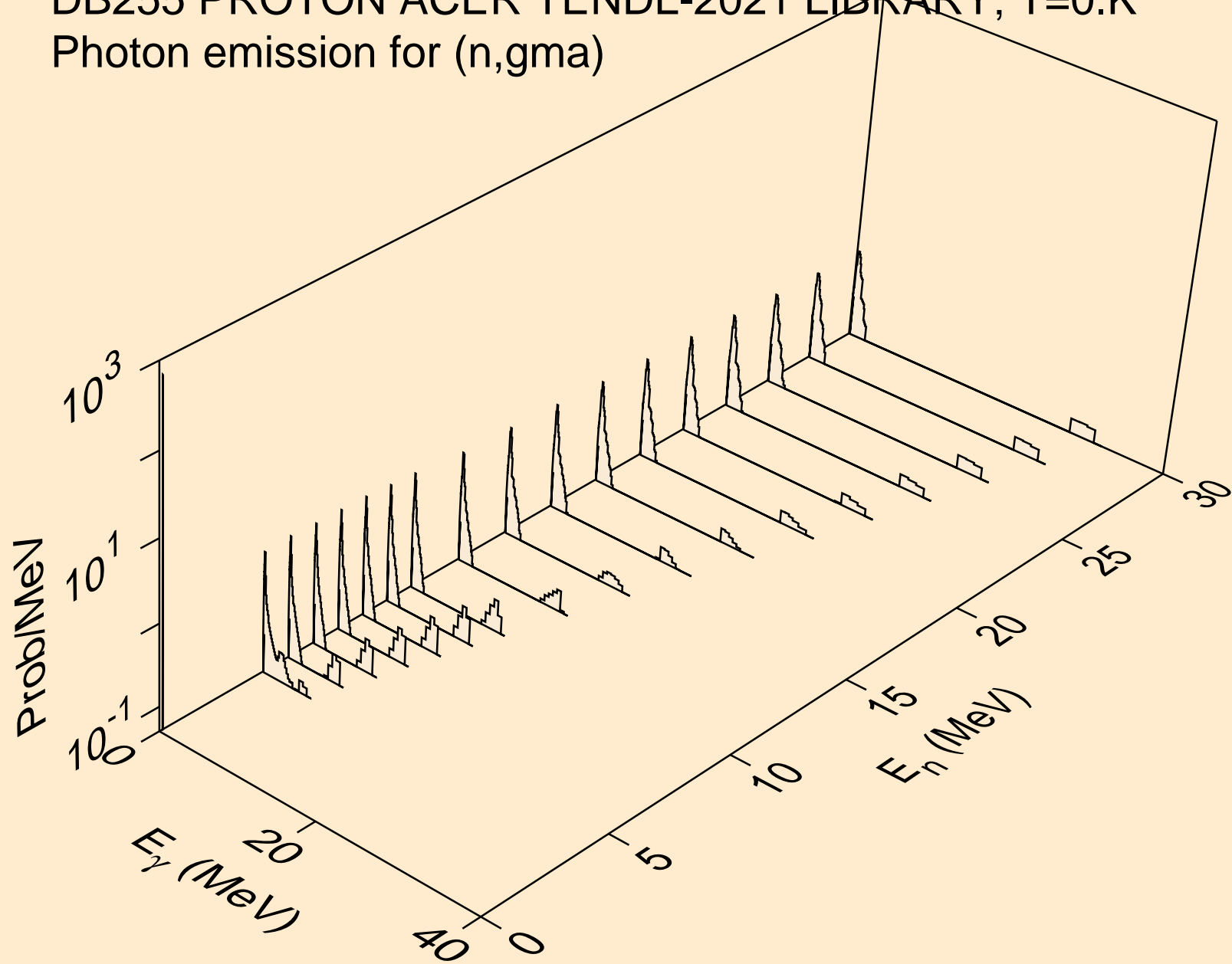
DB255 PROTON ACER TENDL-2021 LIBRARY; T=0.K
Photon emission for (n,2np)



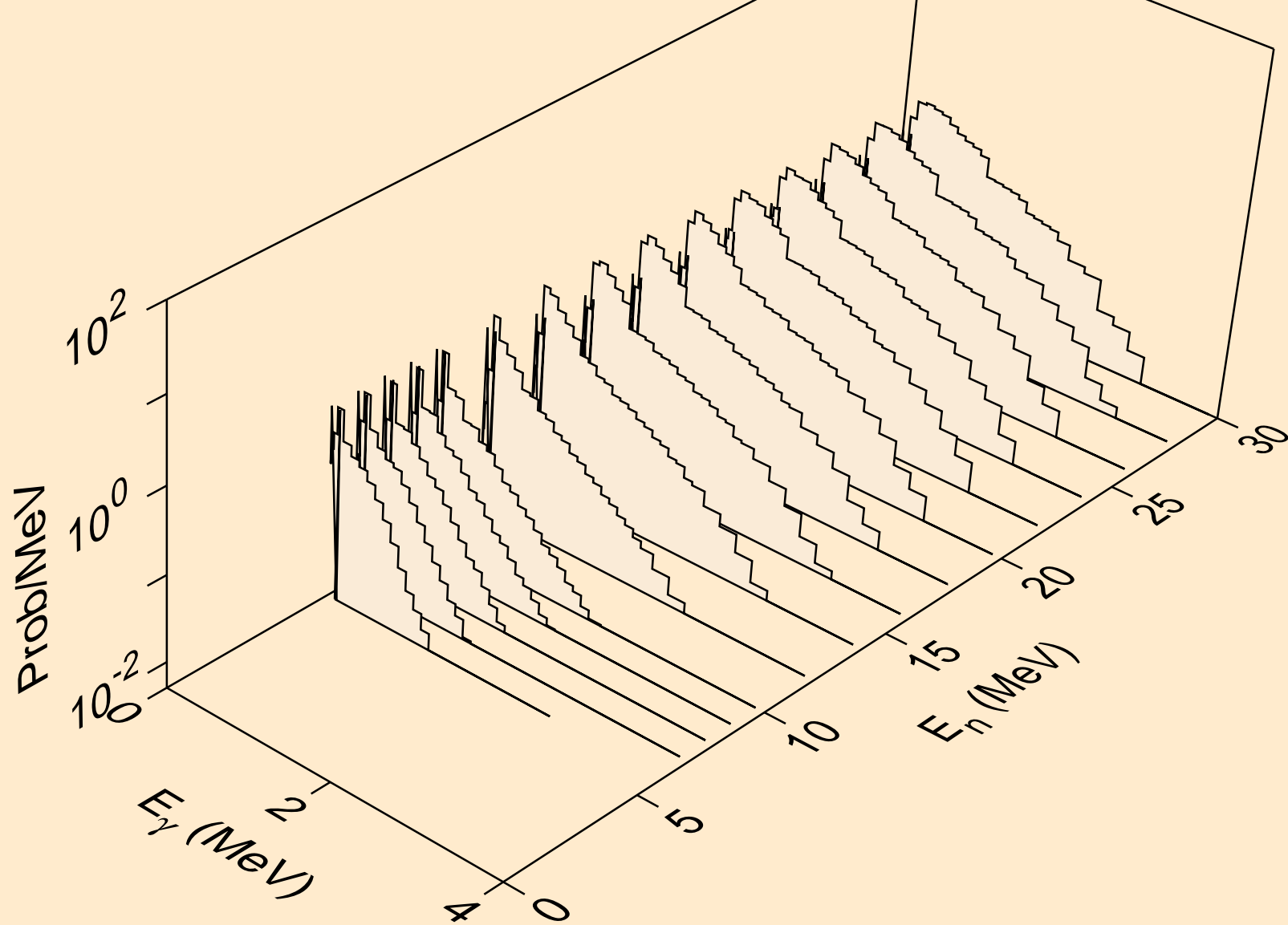
DB255 PROTON ACER TENDL-2021 LIBRARY; T=0.K
Photon emission for (n,npa)



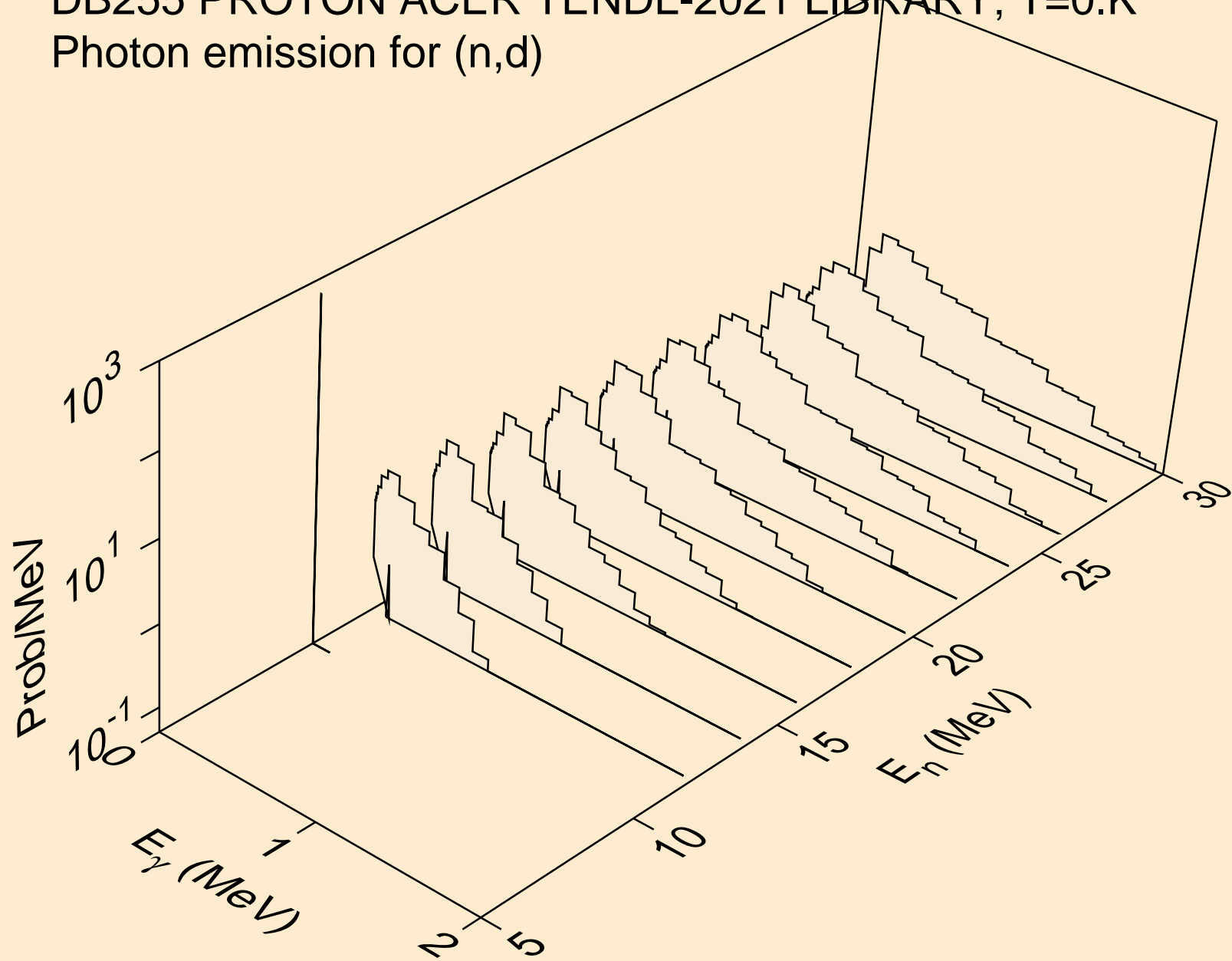
DB255 PROTON ACER TENDL-2021 LIBRARY; T=0.K
Photon emission for (n,gma)



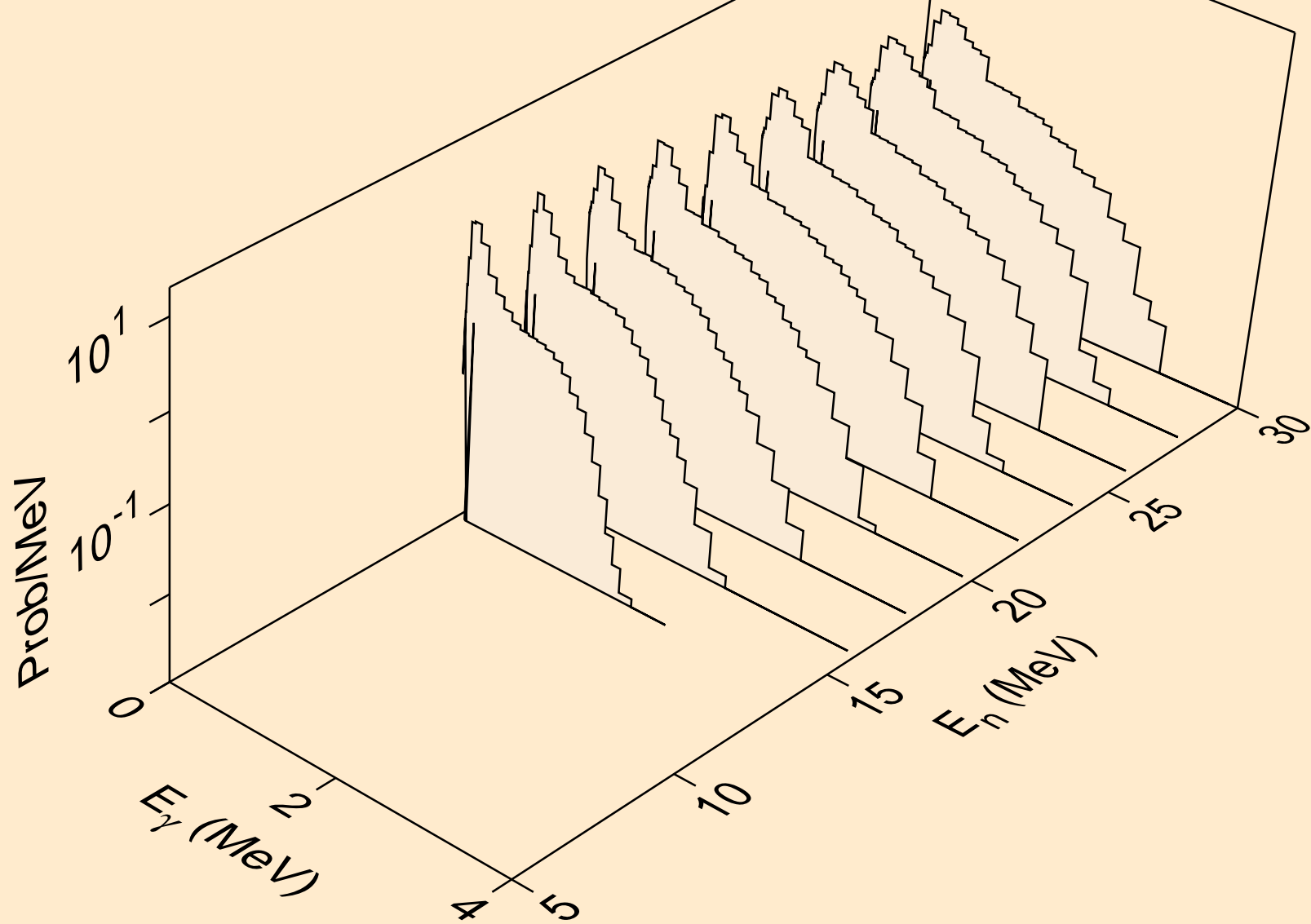
DB255 PROTON ACER TENDL-2021 LIBRARY; T=0.K
Photon emission for inelastic



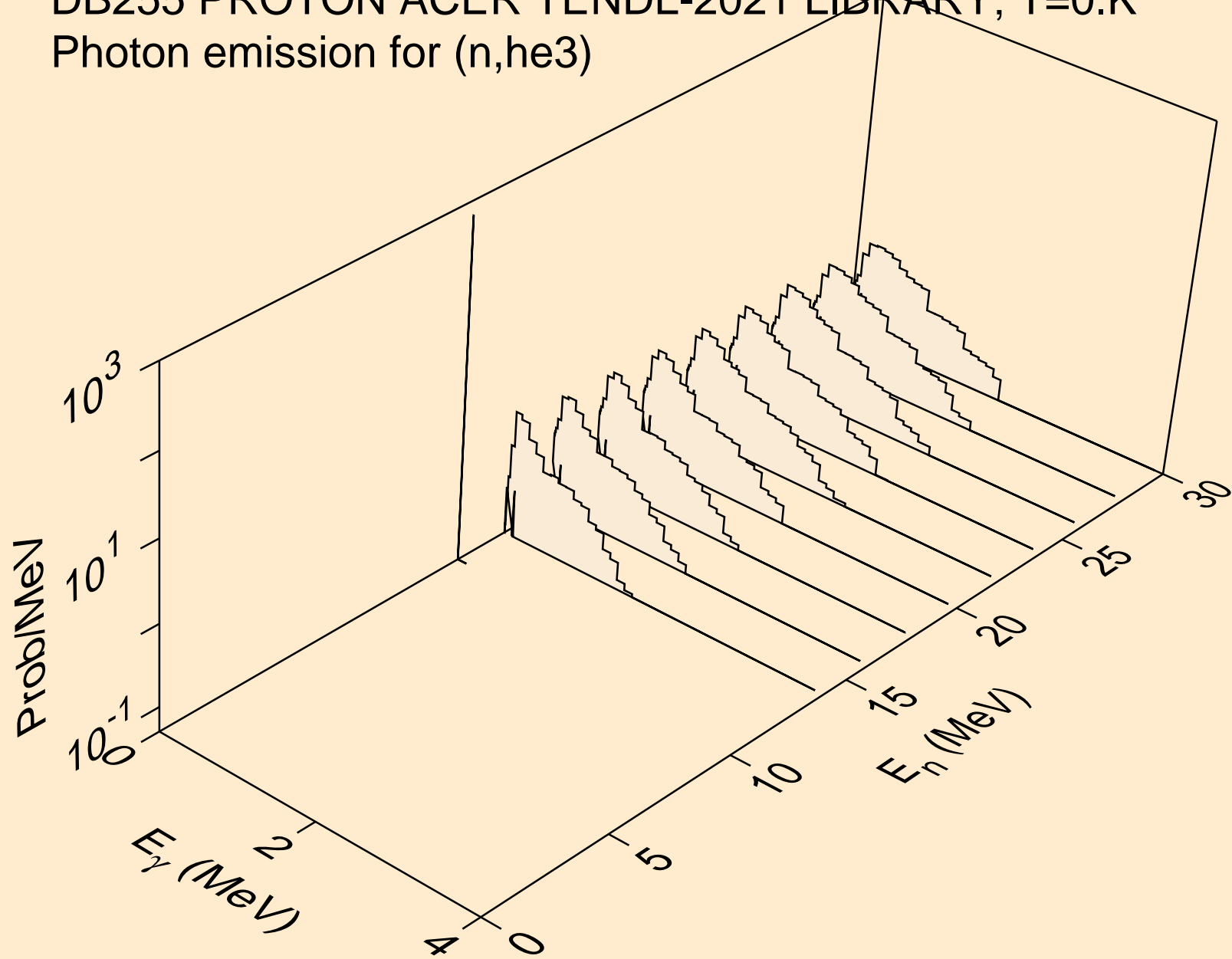
DB255 PROTON ACER TENDL-2021 LIBRARY; T=0.K
Photon emission for (n,d)



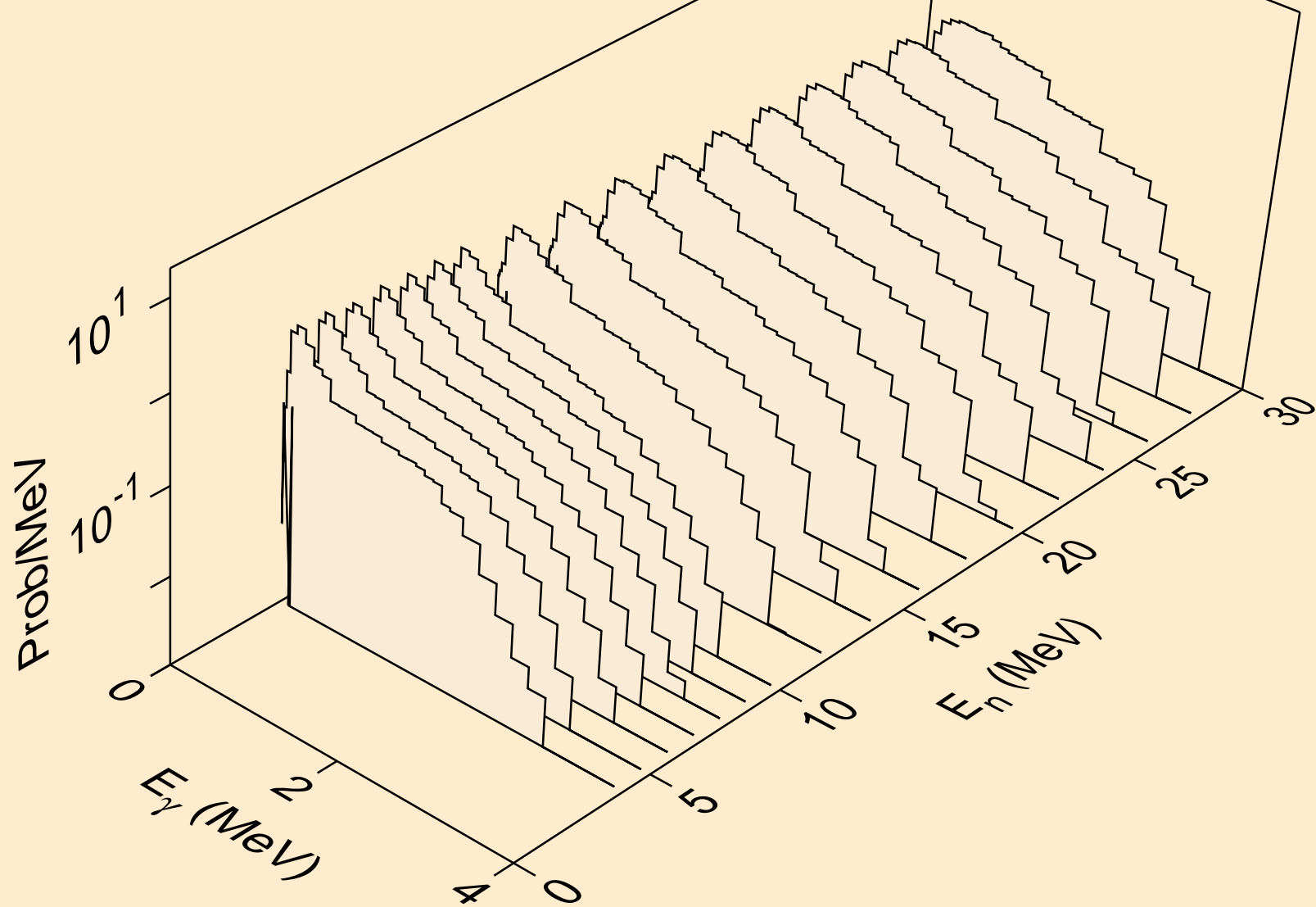
DB255 PROTON ACER TENDL-2021 LIBRARY; T=0.K
Photon emission for (n,t)



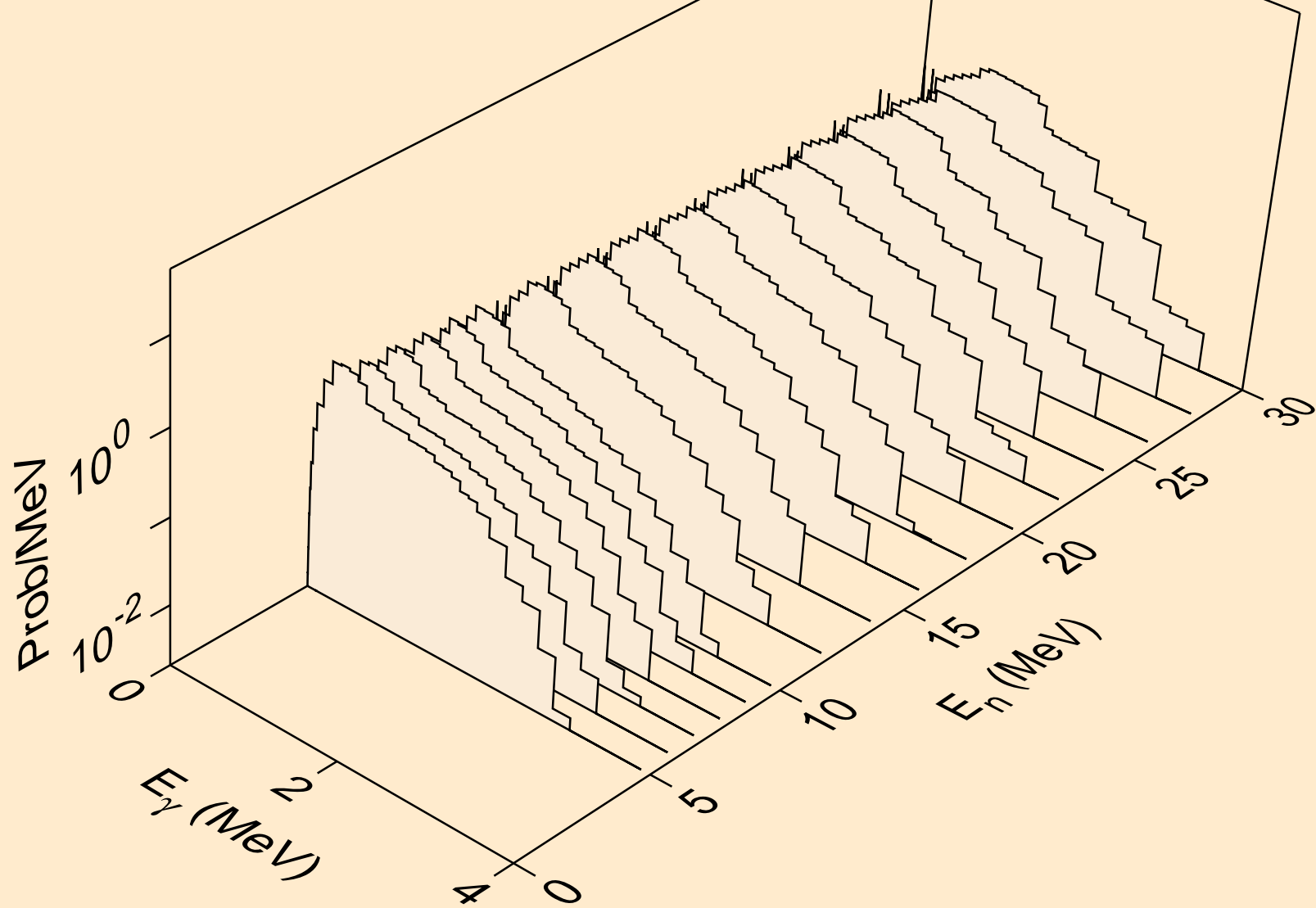
DB255 PROTON ACER TENDL-2021 LIBRARY; T=0.K
Photon emission for (n,he3)



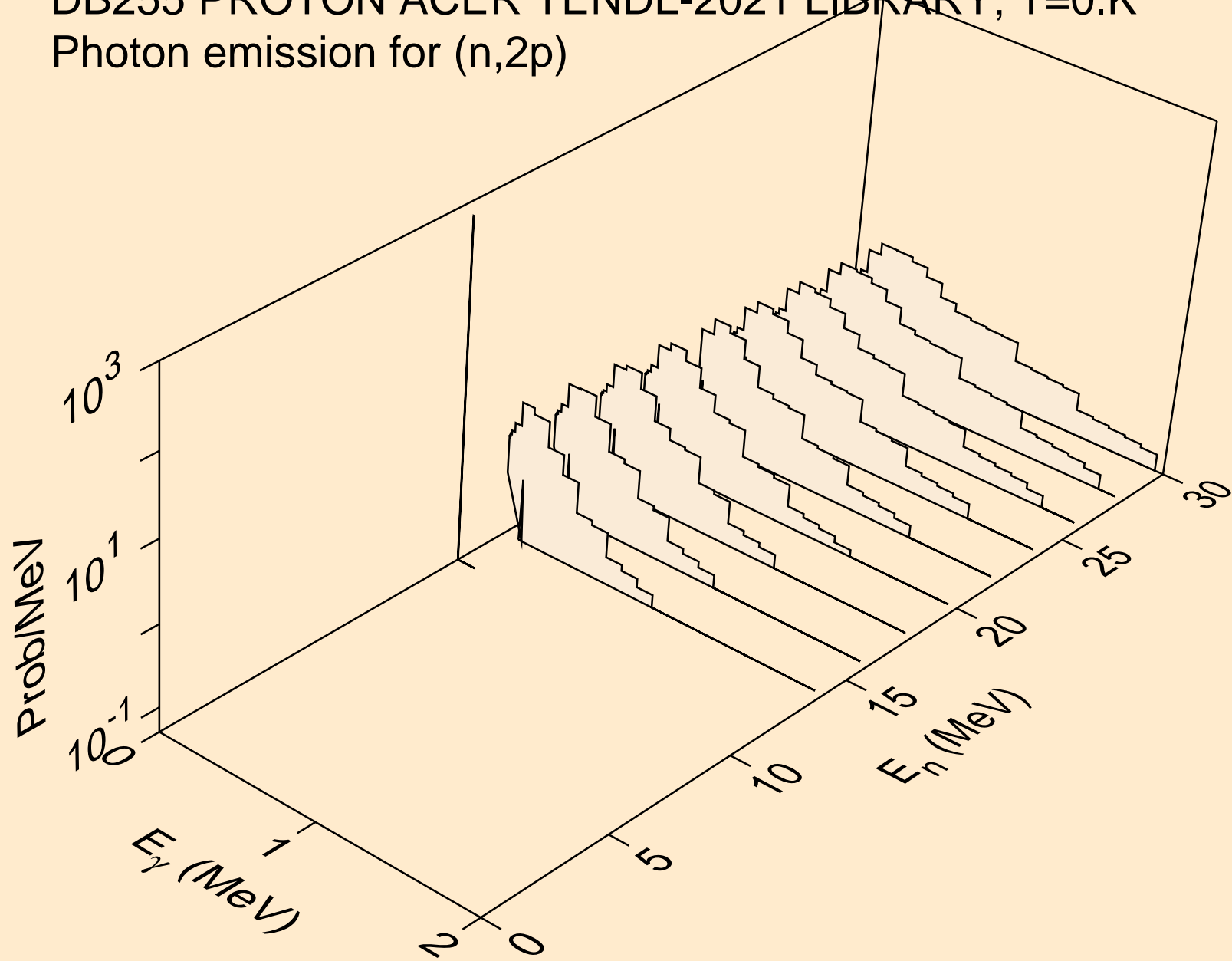
DB255 PROTON ACER TENDL-2021 LIBRARY; T=0.K
Photon emission for (n,a)



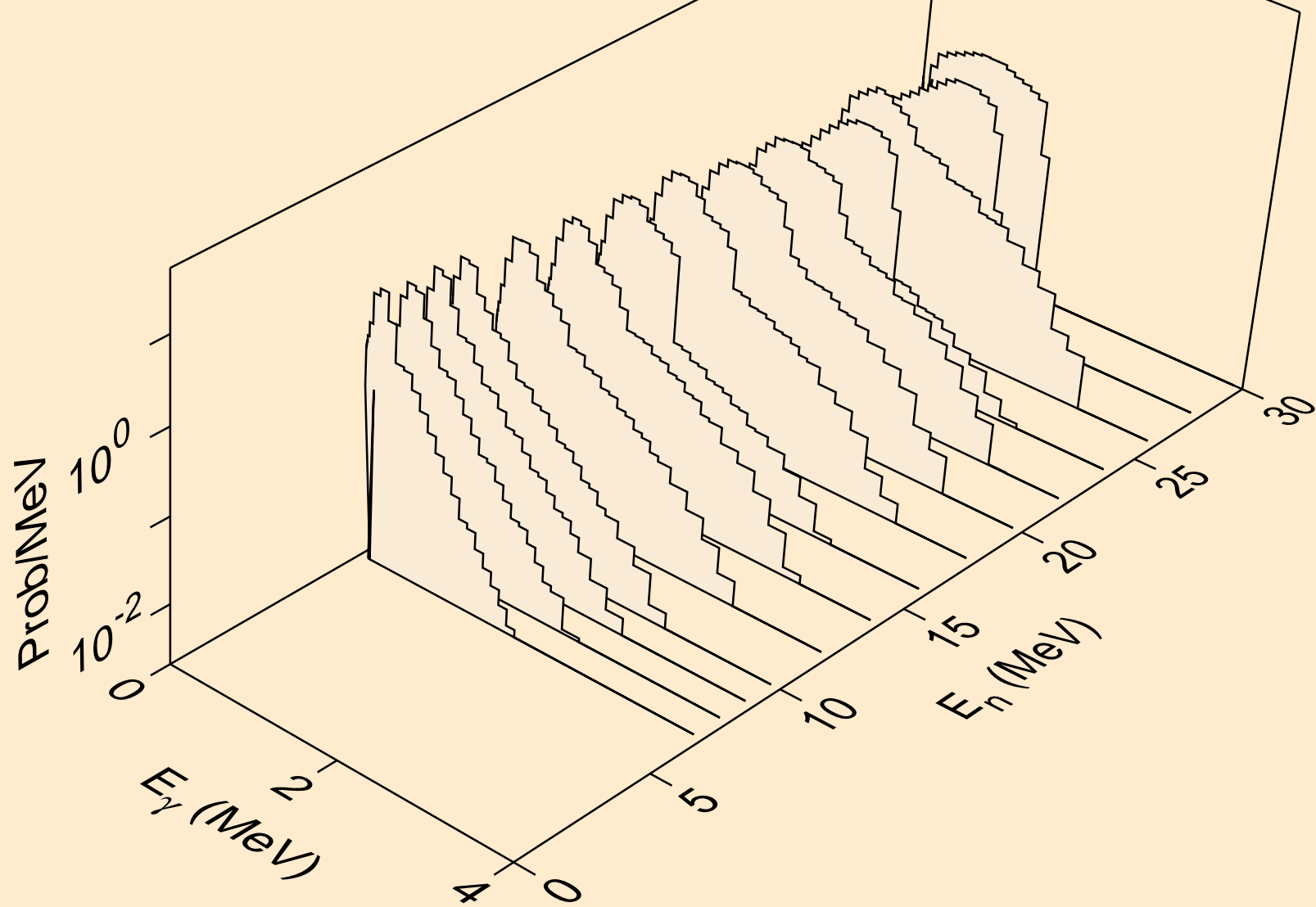
DB255 PROTON ACER TENDL-2021 LIBRARY; T=0.K
Photon emission for (n,2a)



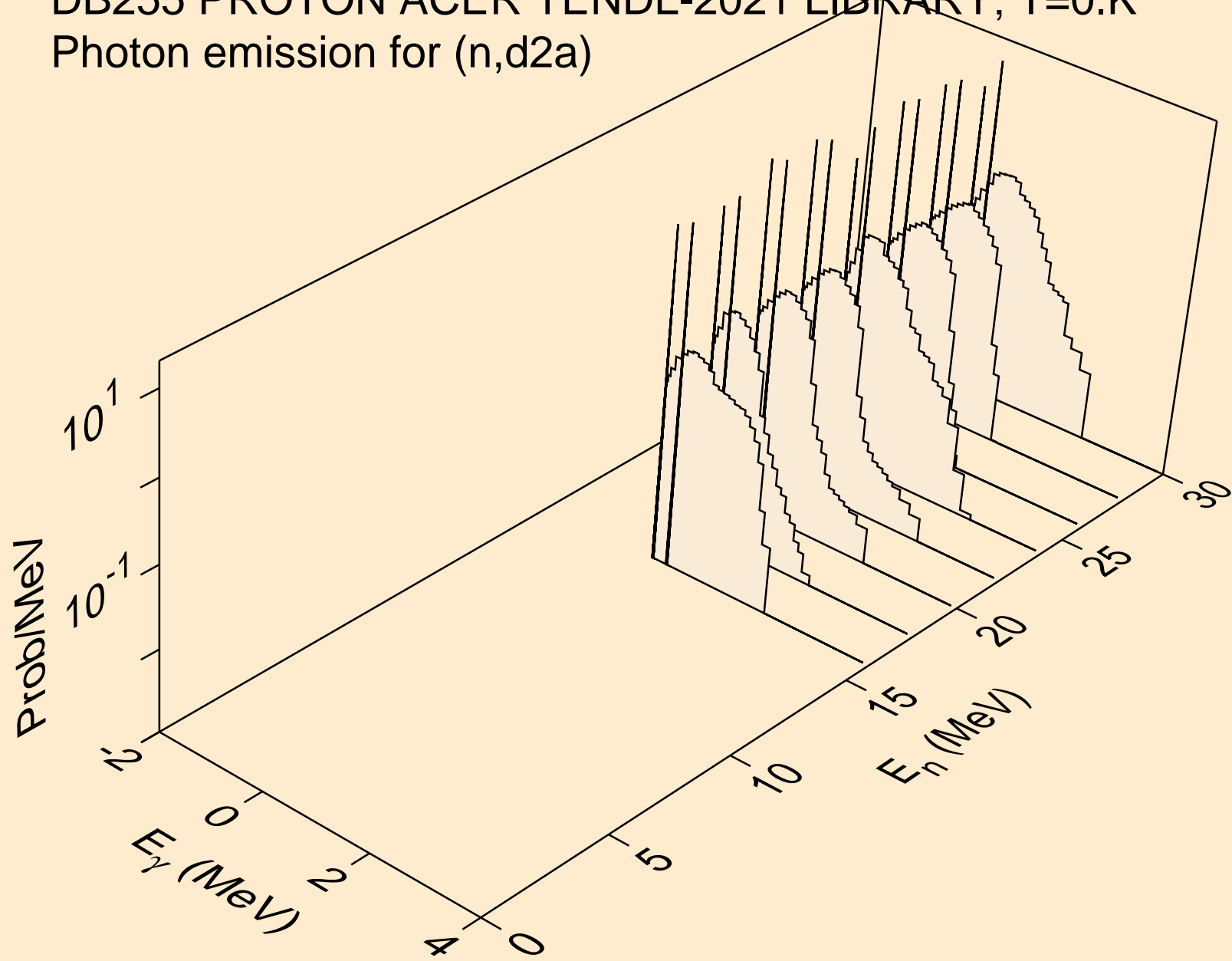
DB255 PROTON ACER TENDL-2021 LIBRARY; T=0.K
Photon emission for (n,2p)



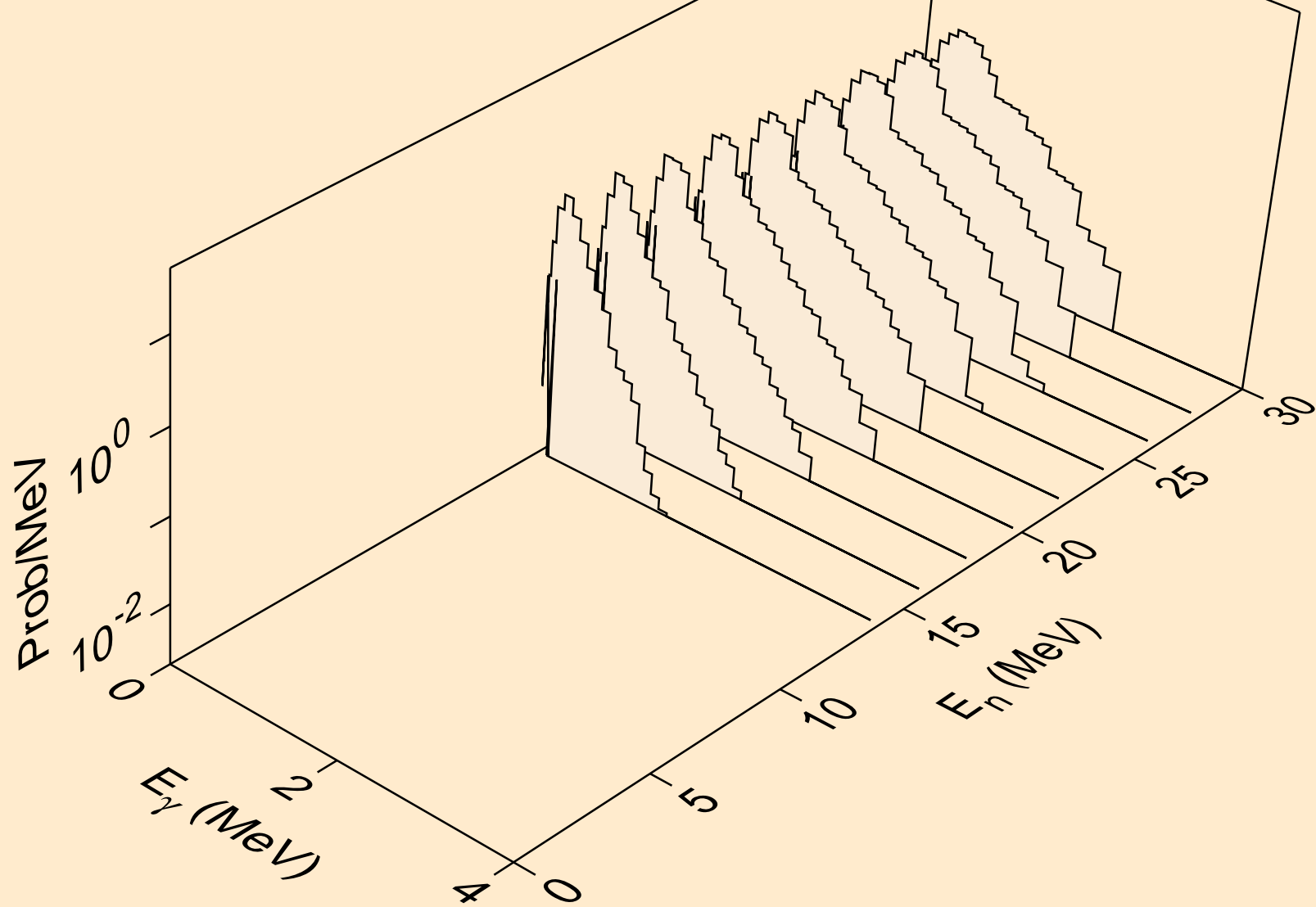
DB255 PROTON ACER TENDL-2021 LIBRARY; T=0.K
Photon emission for (n,pa)



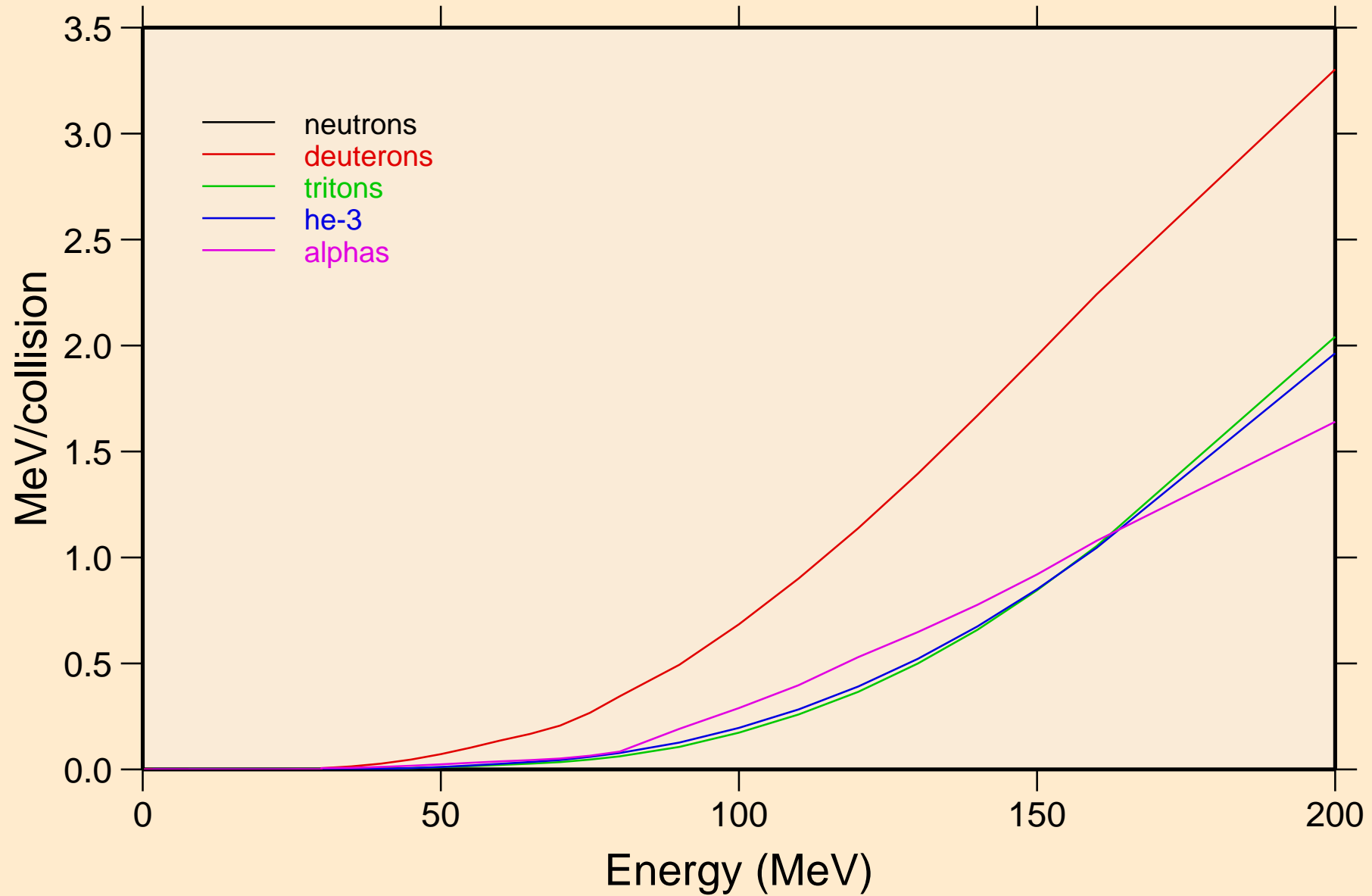
DB255 PROTON ACER TENDL-2021 LIBRARY; T=0.K
Photon emission for (n,d2a)



DB255 PROTON ACER TENDL-2021 LIBRARY; T=0.K
Photon emission for (n,da)

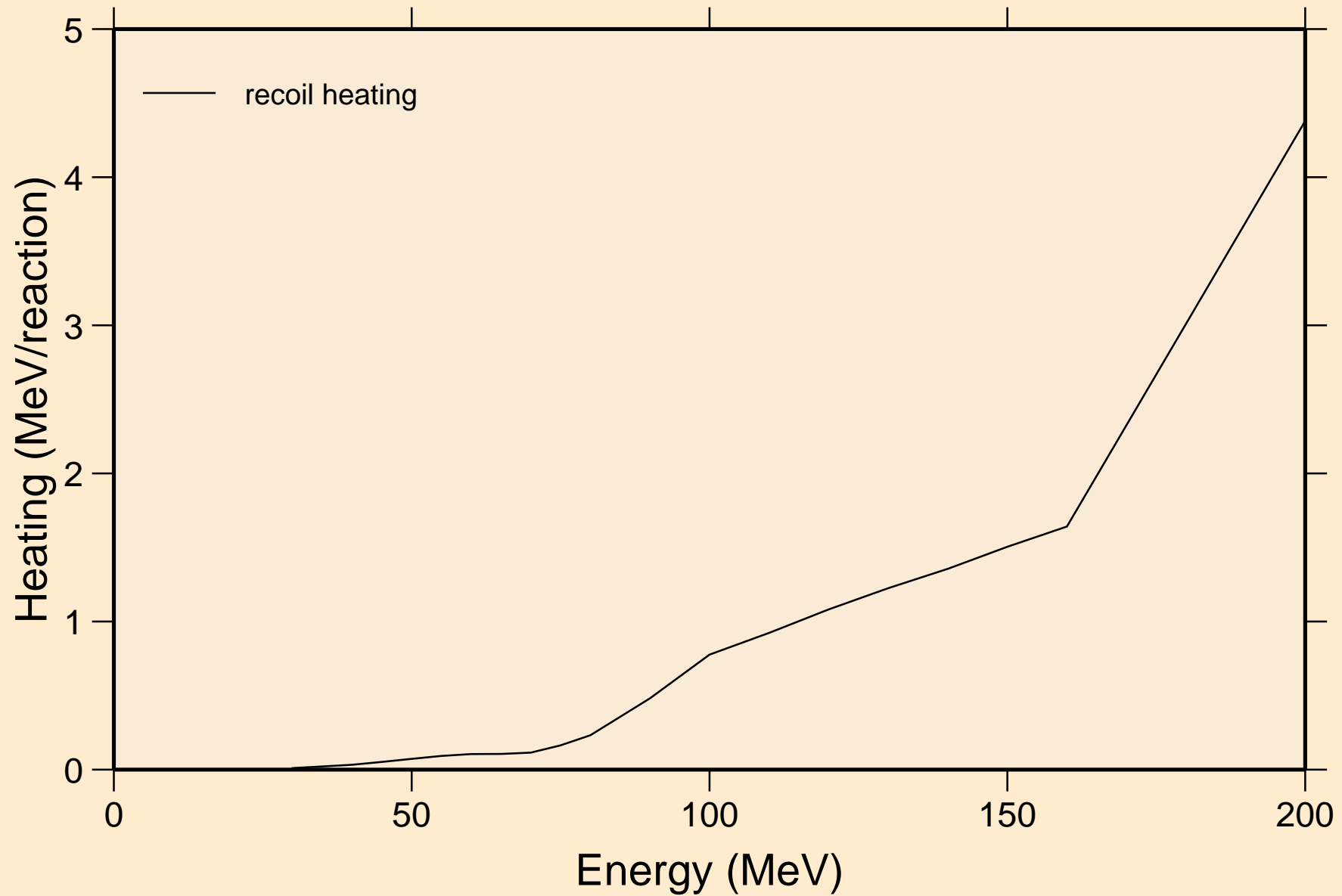


DB255 PROTON ACER TENDL-2021 LIBRARY; T=0.K
Particle heating contributions

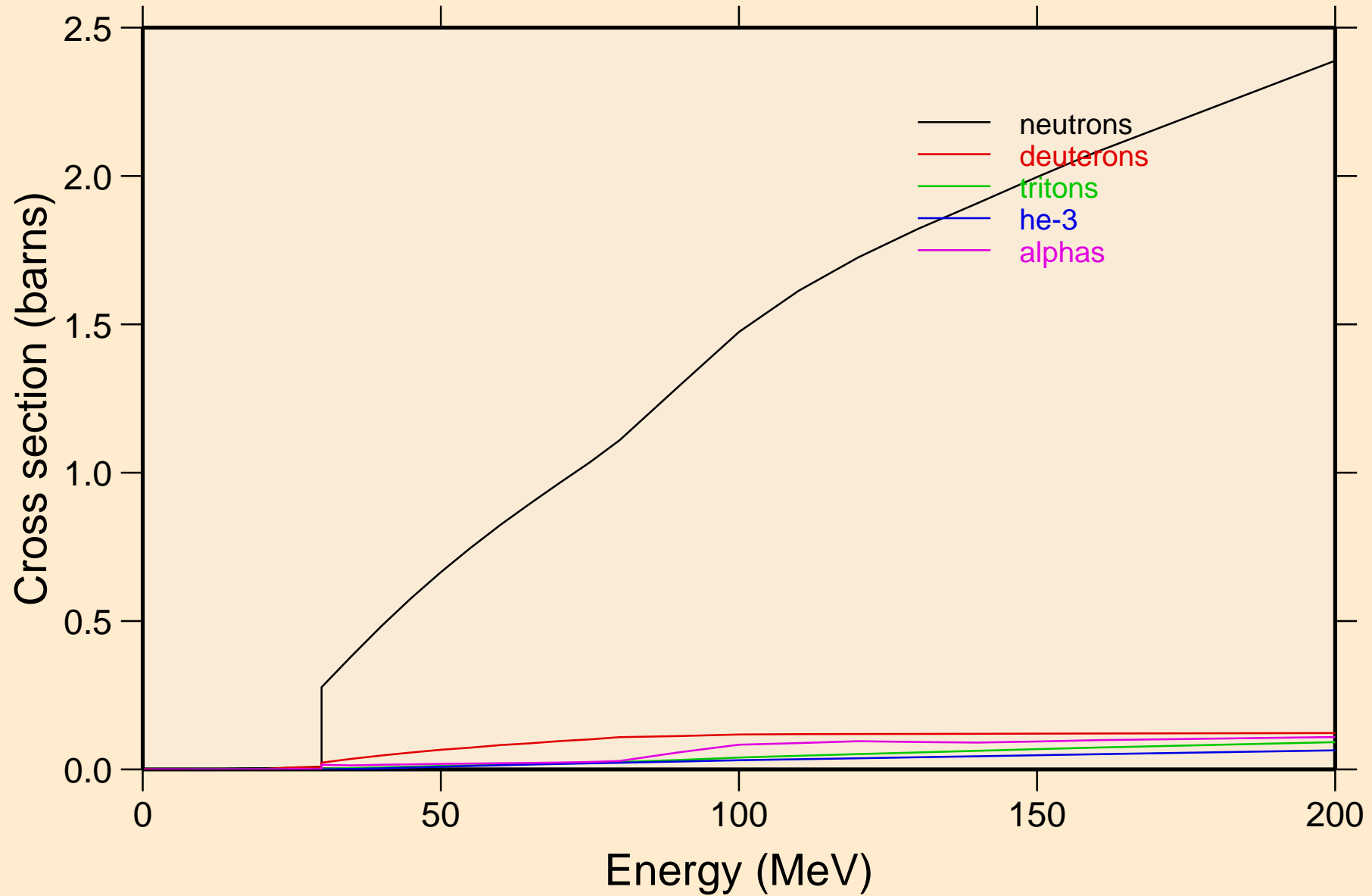


DB255 PROTON ACER TENDL-2021 LIBRARY; T=0.K

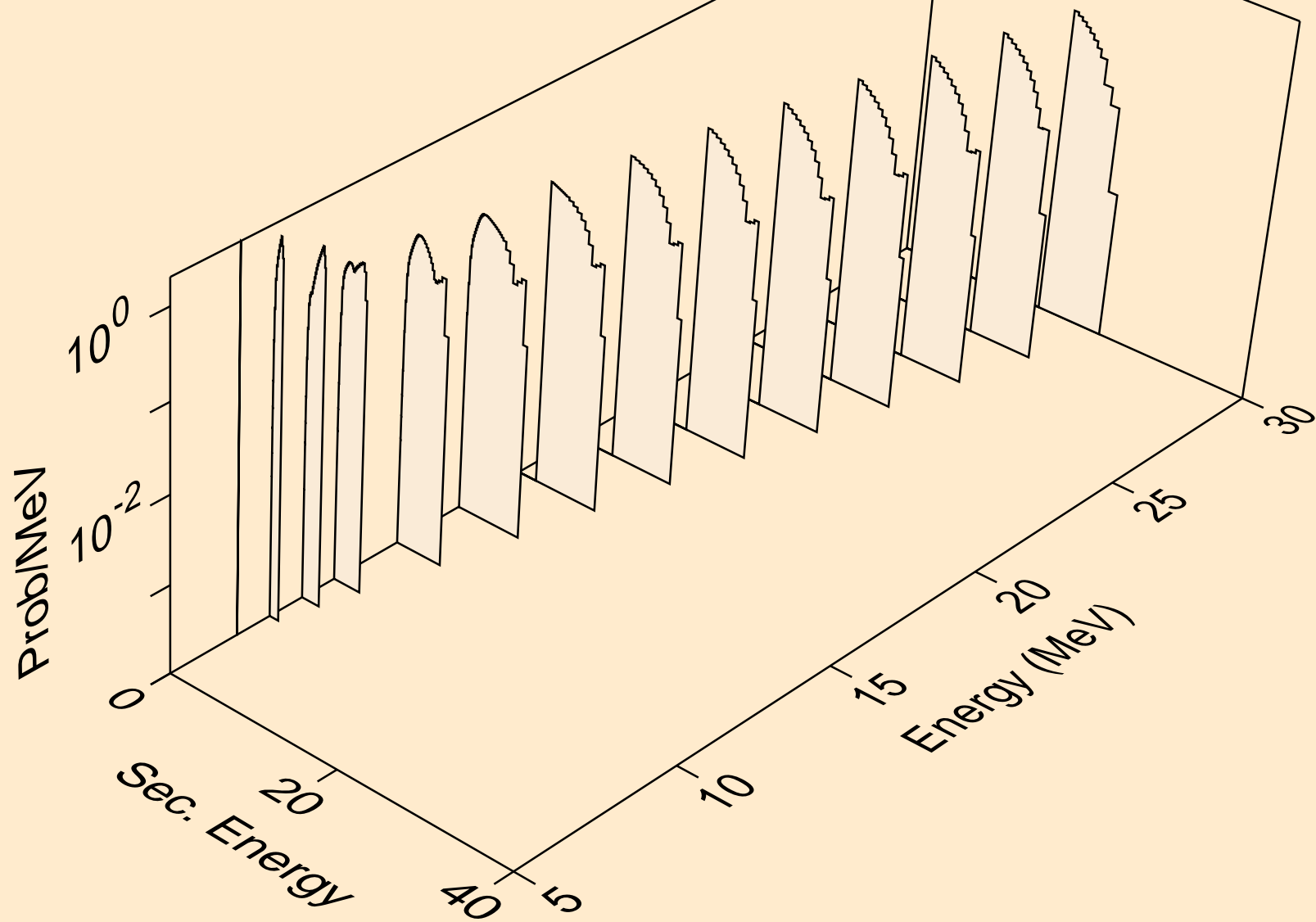
Recoil Heating



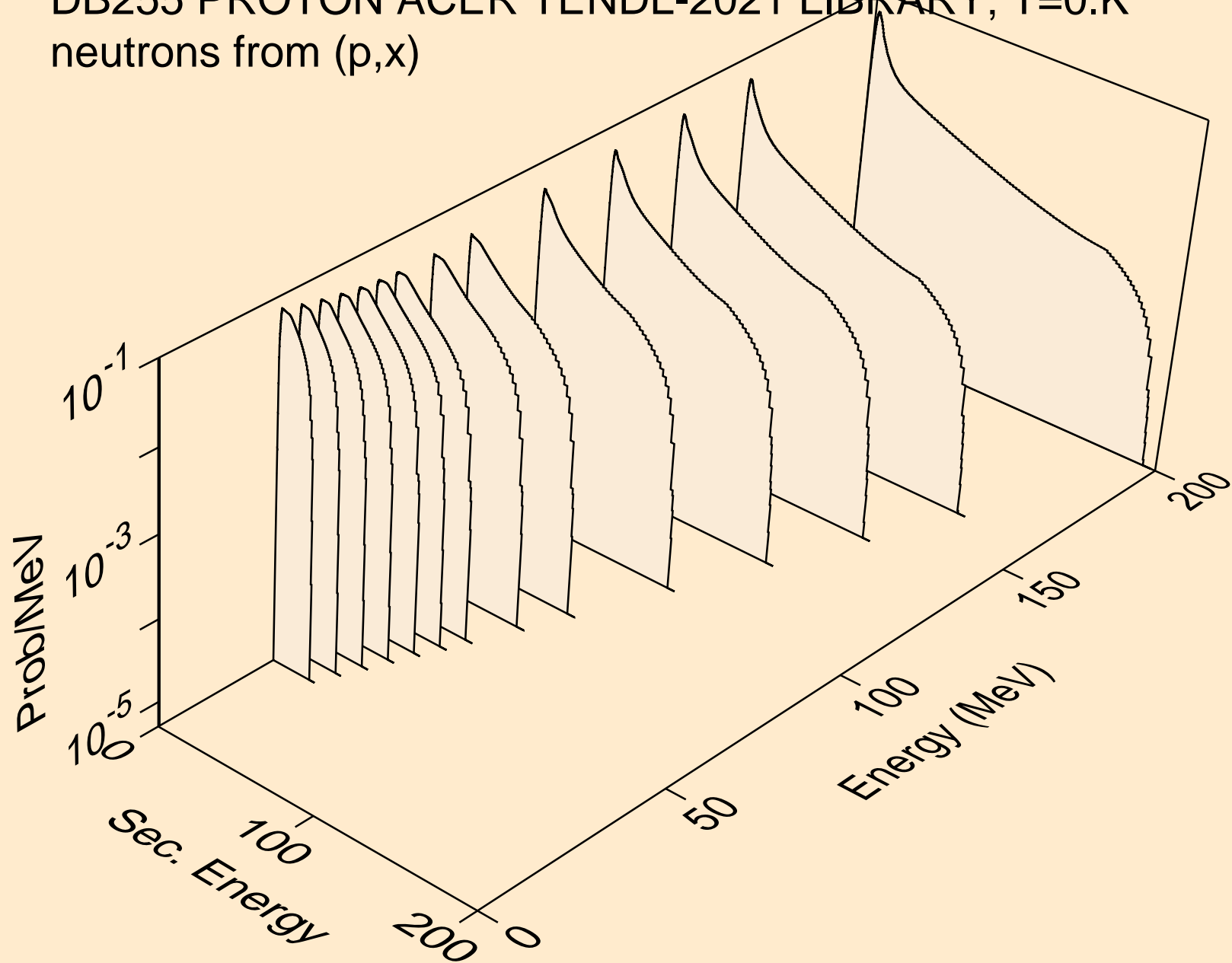
DB255 PROTON ACER TENDL-2021 LIBRARY; T=0.K
Particle production cross sections



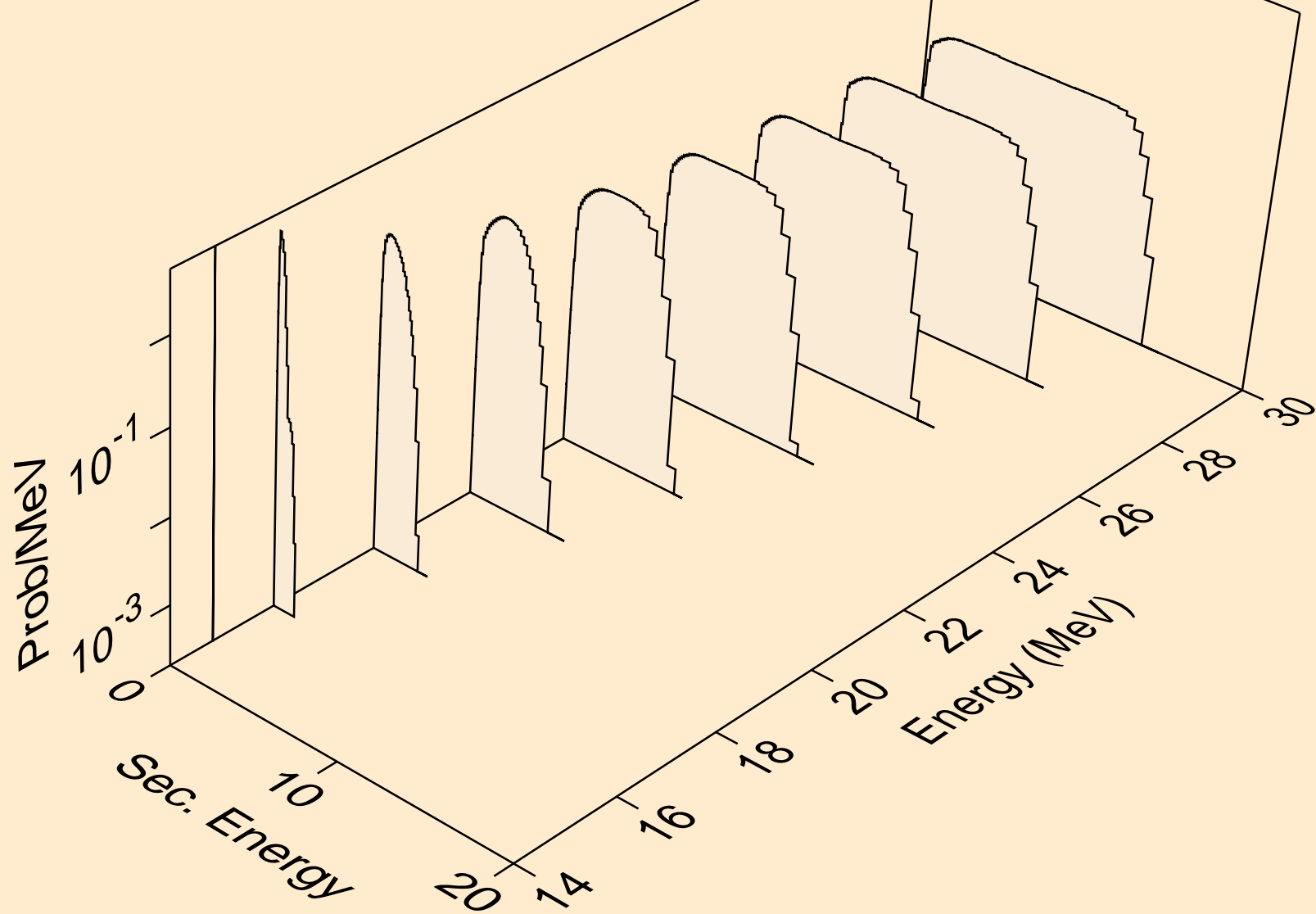
DB255 PROTON ACER TENDL-2021 LIBRARY; T=0.K
neutrons from (p,n)



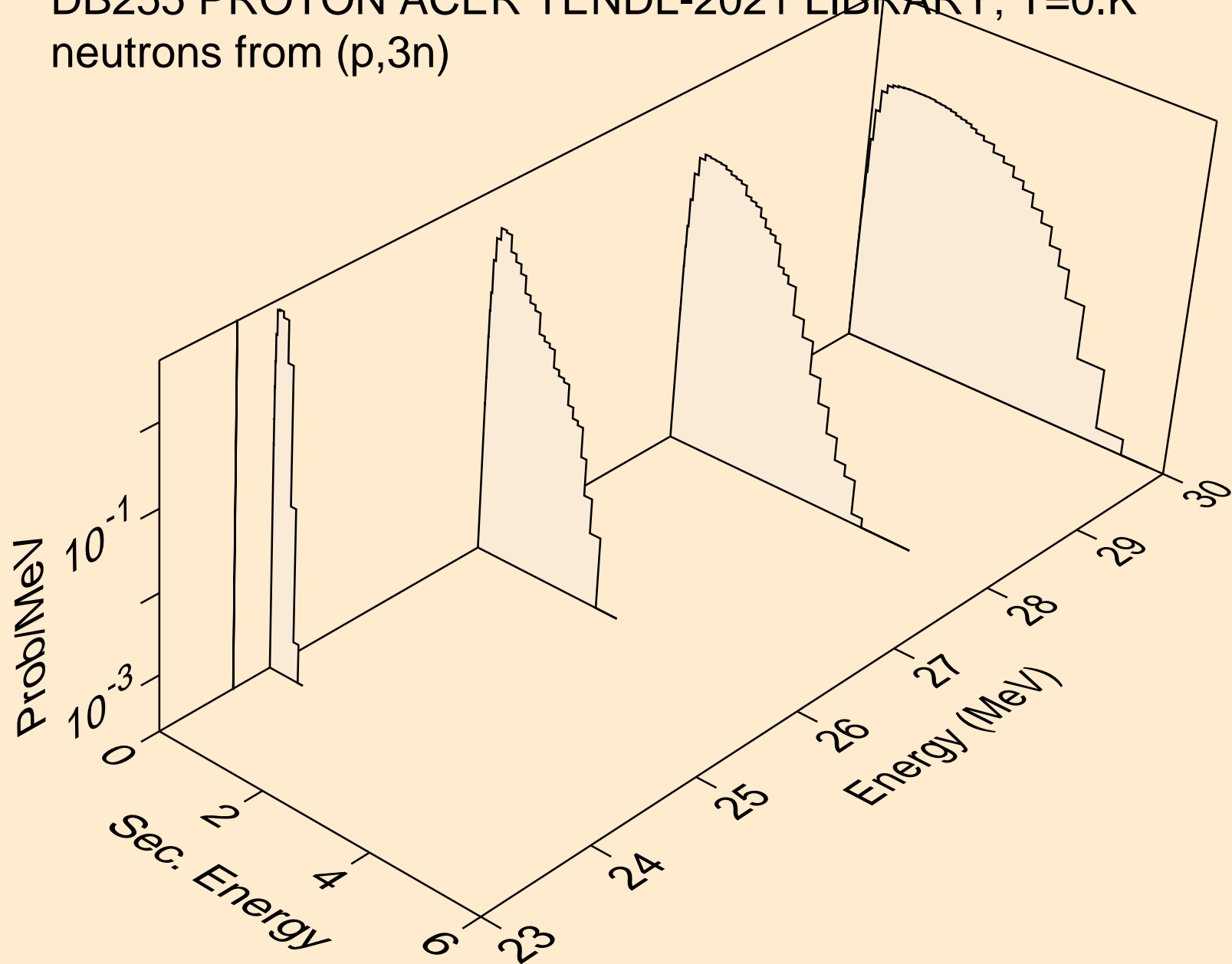
DB255 PROTON ACER TENDL-2021 LIBRARY; T=0.K
neutrons from (p,x)



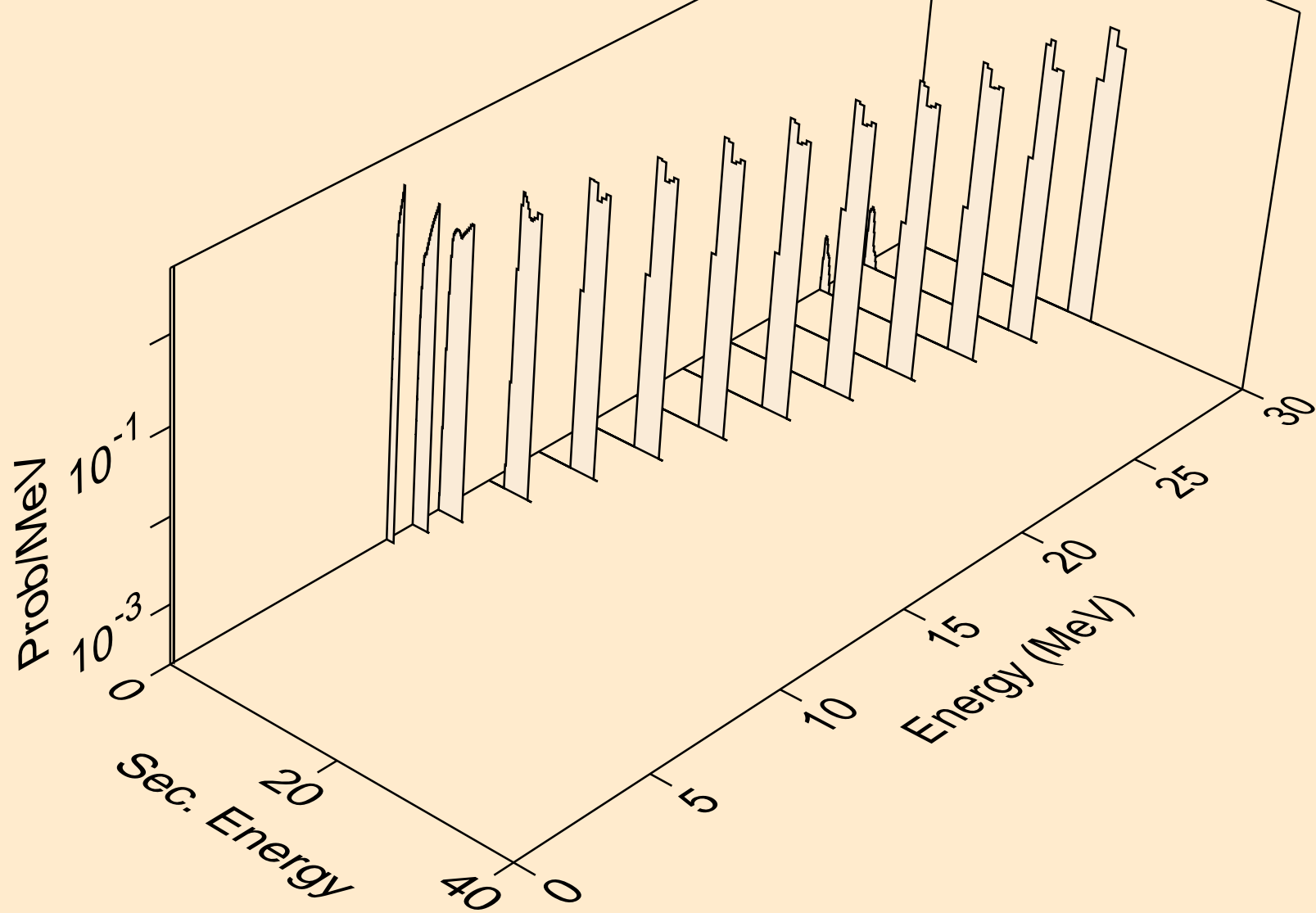
DB255 PROTON ACER TENDL-2021 LIBRARY; T=0.K
neutrons from (p,2n)



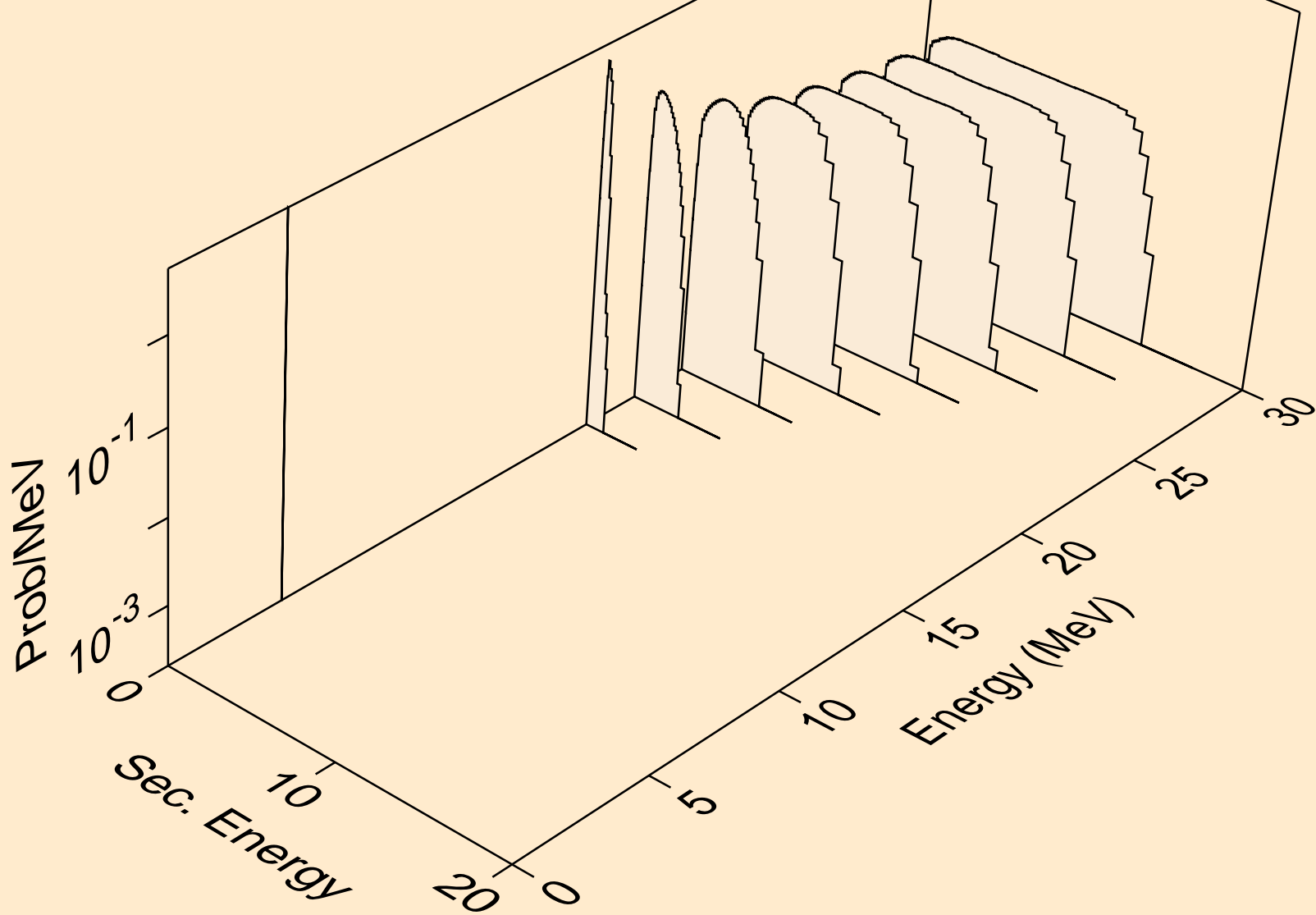
DB255 PROTON ACER TENDL-2021 LIBRARY; T=0.K
neutrons from (p,3n)



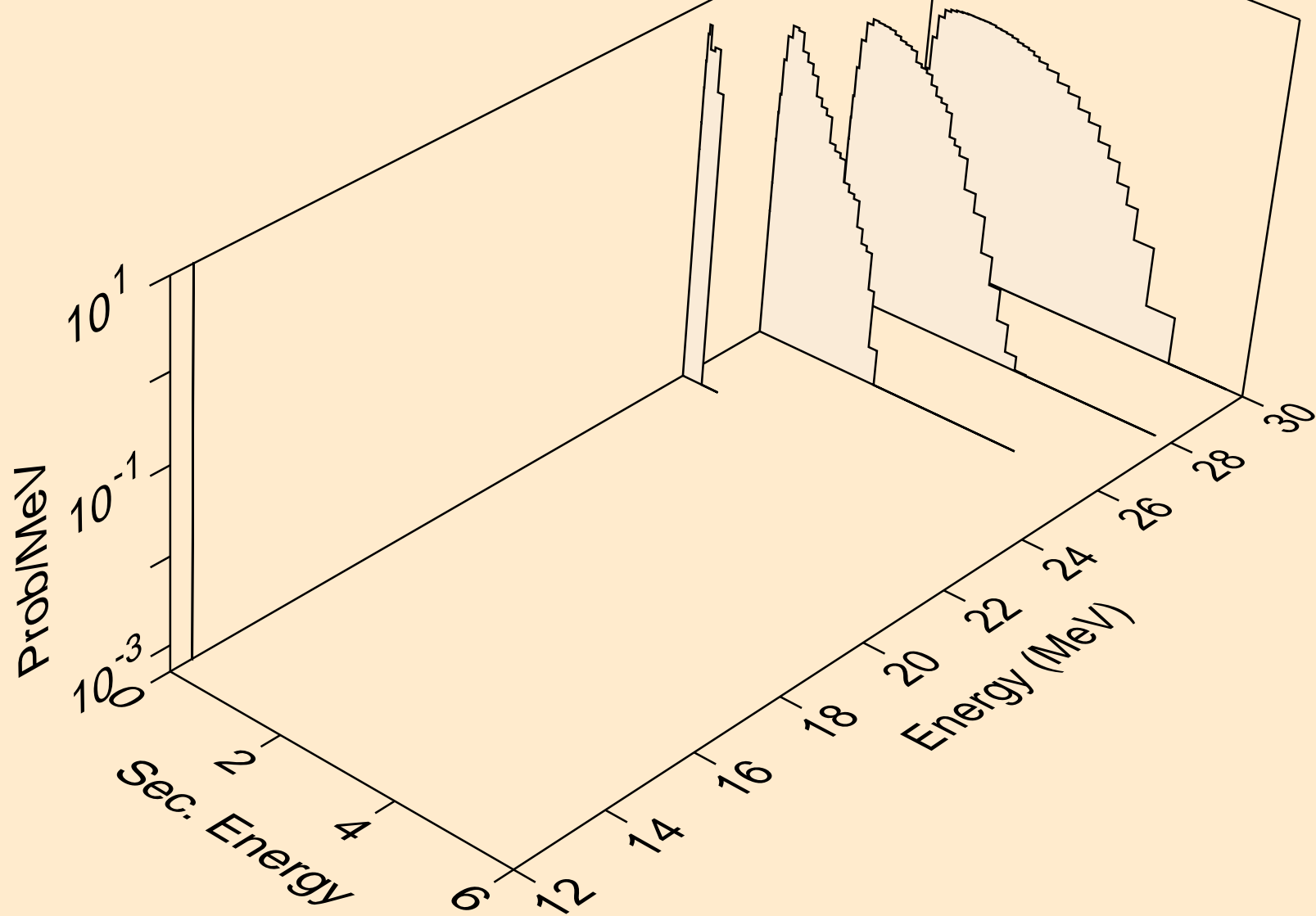
DB255 PROTON ACER TENDL-2021 LIBRARY; T=0.K
neutrons from (p,n*)a



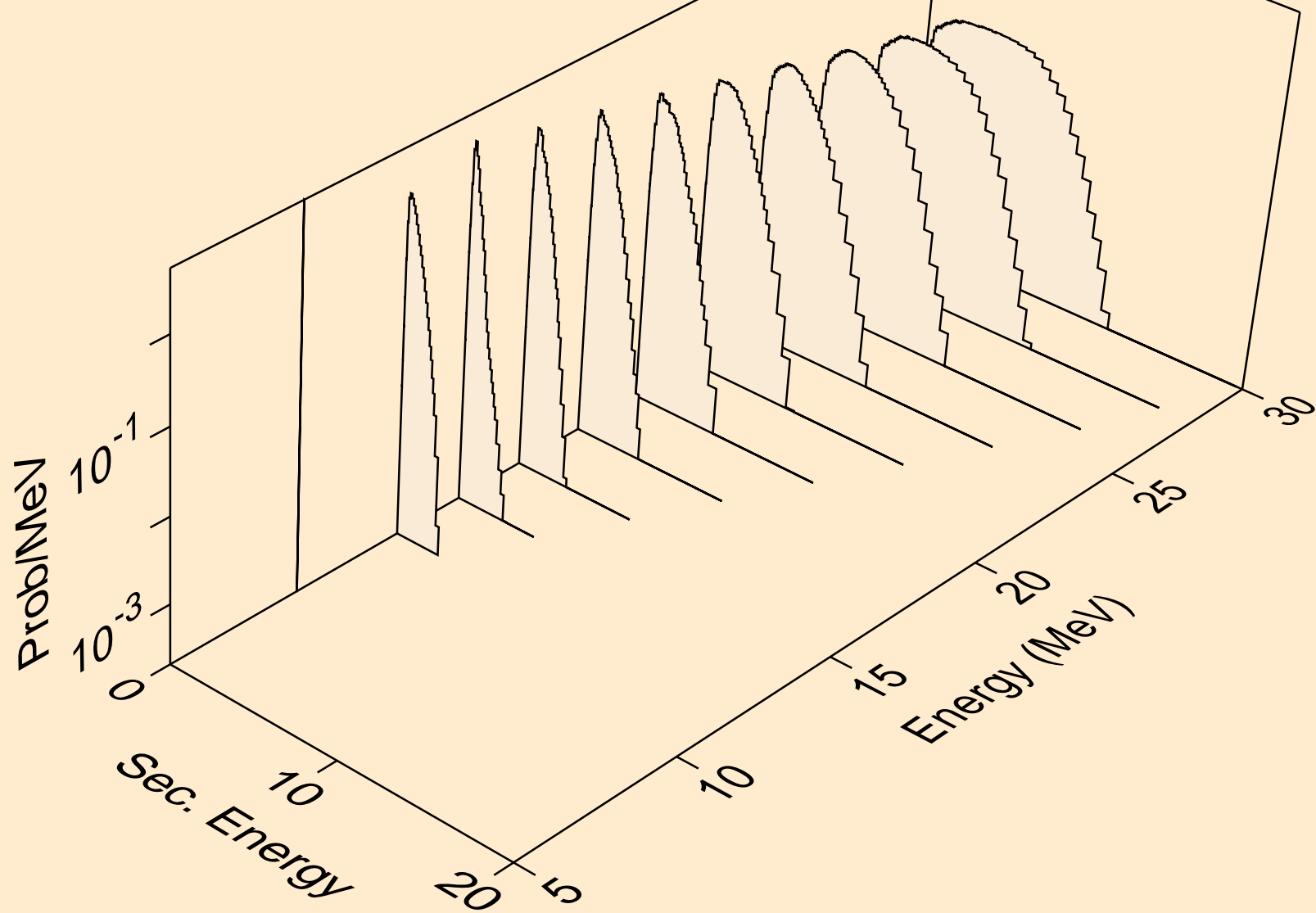
DB255 PROTON ACER TENDL-2021 LIBRARY; T=0.K
neutrons from (p,2n)a



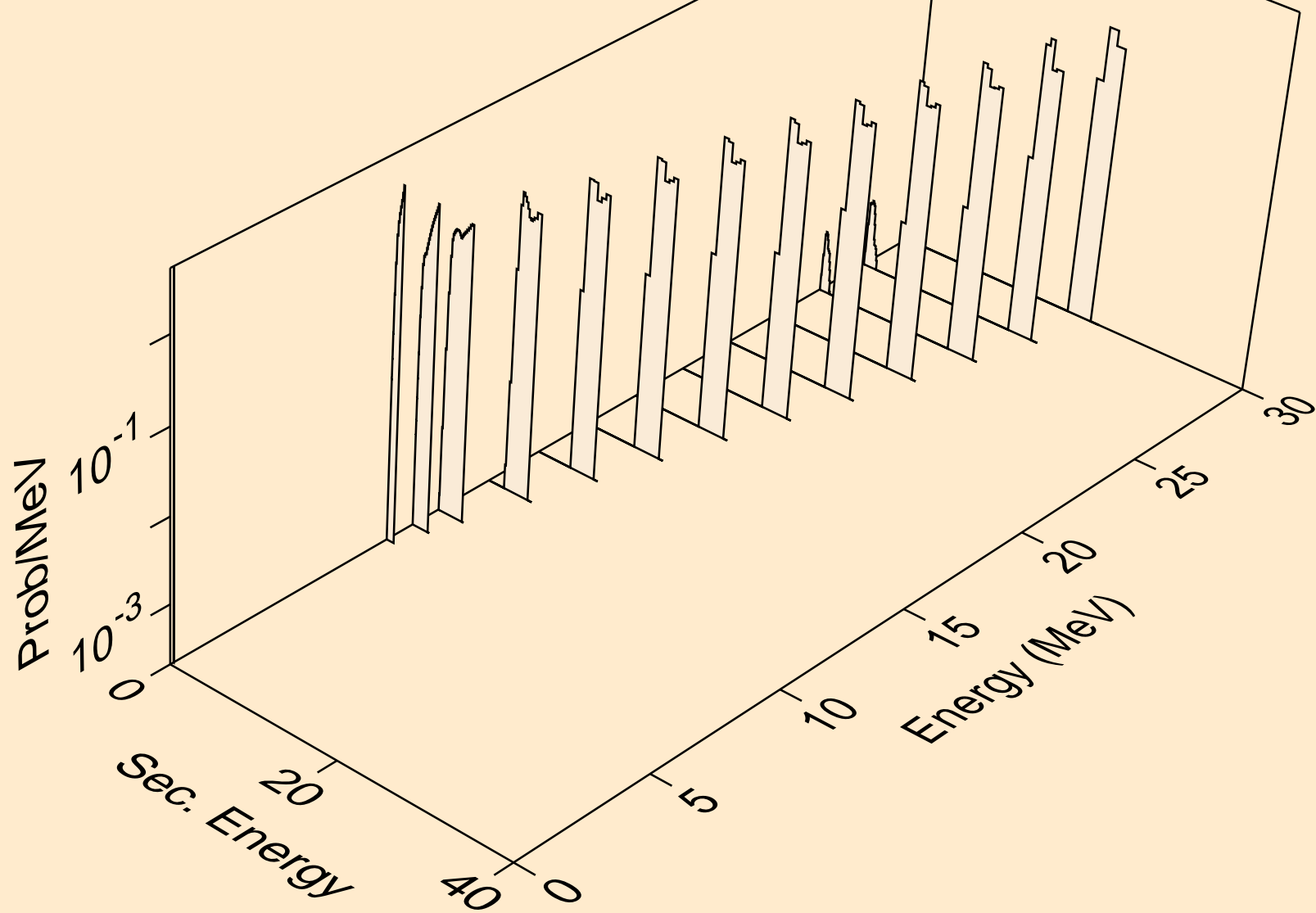
DB255 PROTON ACER TENDL-2021 LIBRARY; T=0.K
neutrons from (p,3n)a



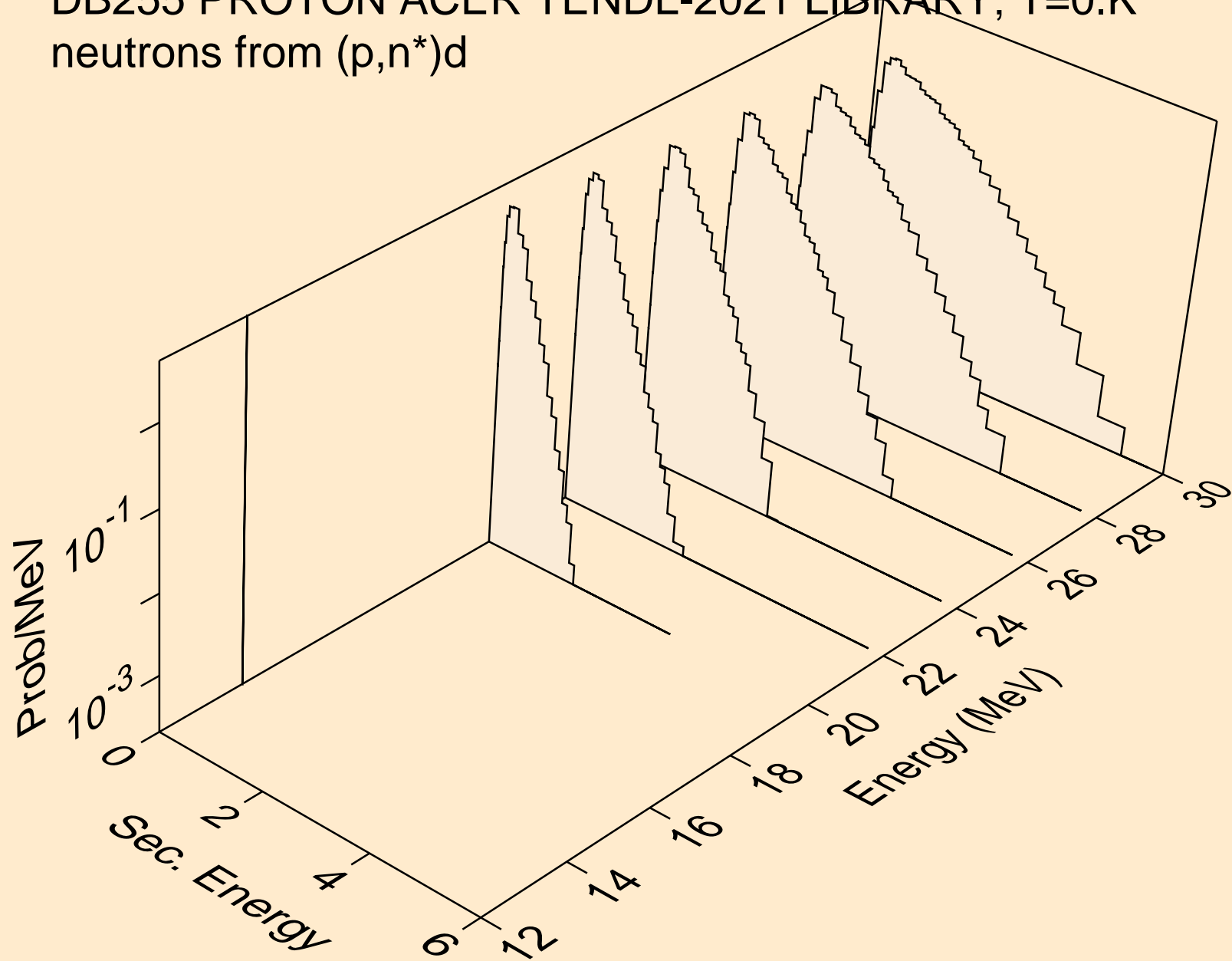
DB255 PROTON ACER TENDL-2021 LIBRARY; T=0.K
neutrons from (p,n*)p



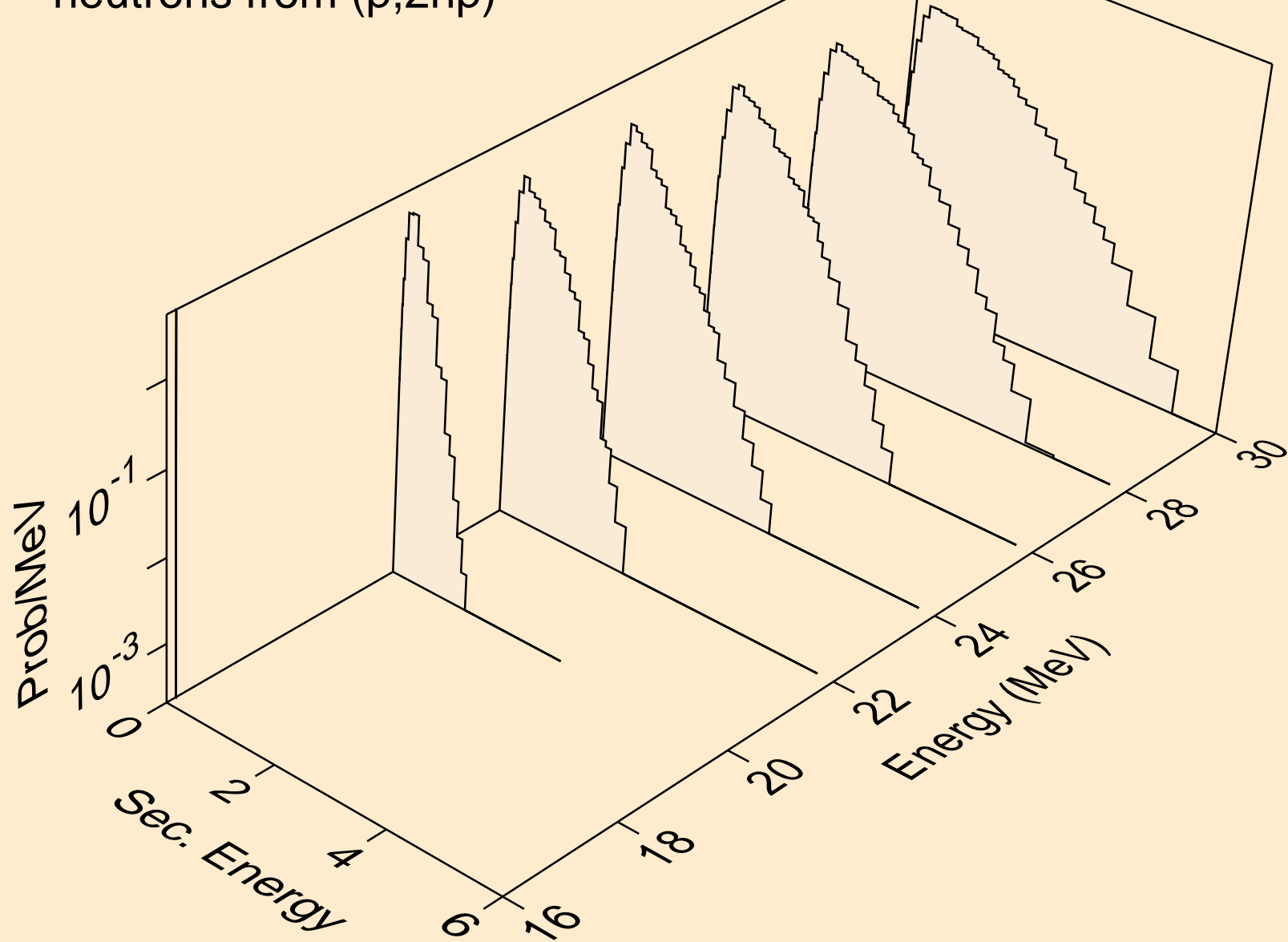
DB255 PROTON ACER TENDL-2021 LIBRARY; T=0.K
neutrons from (p,n*)2a



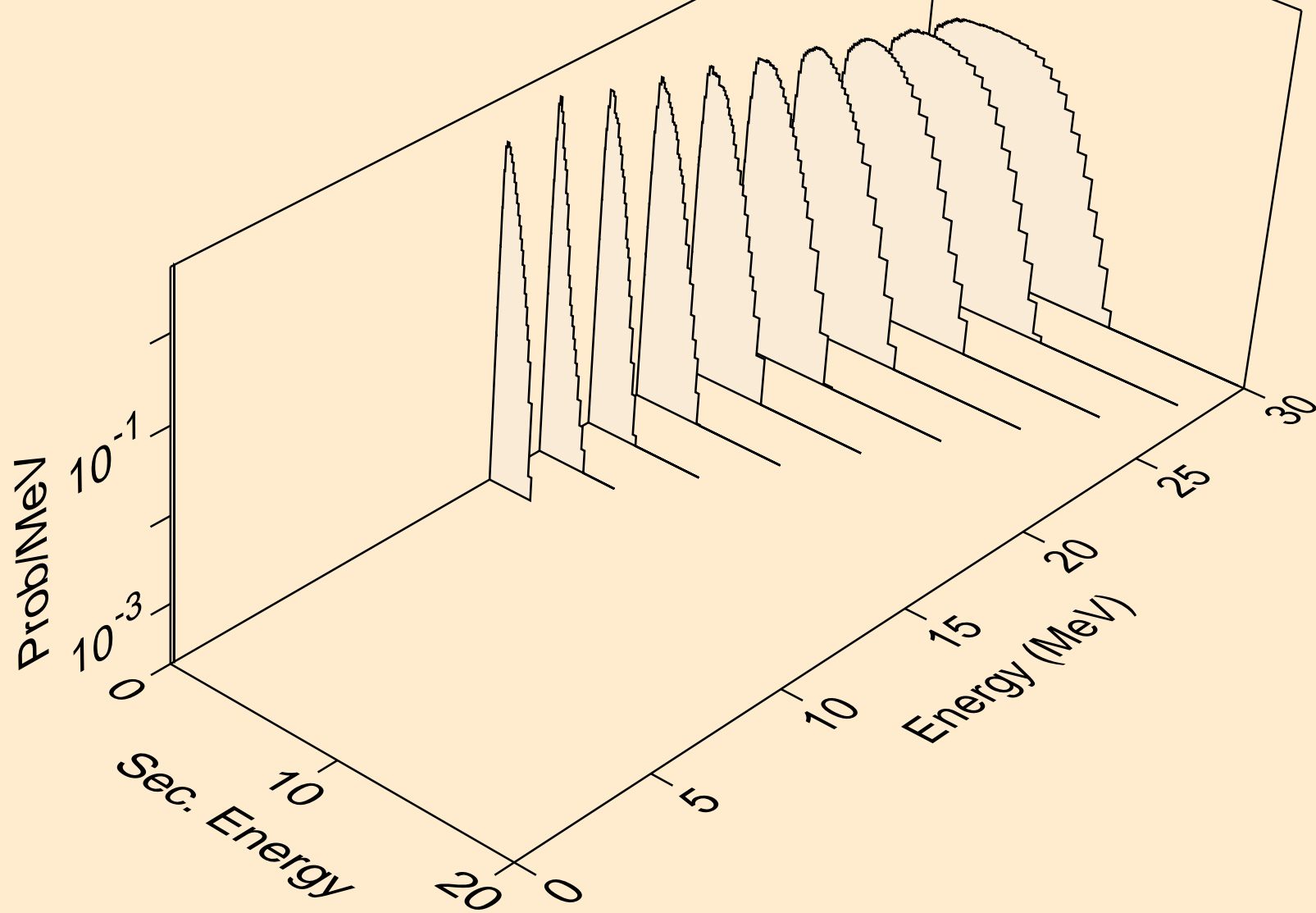
DB255 PROTON ACER TENDL-2021 LIBRARY; T=0.K
neutrons from (p,n*)d



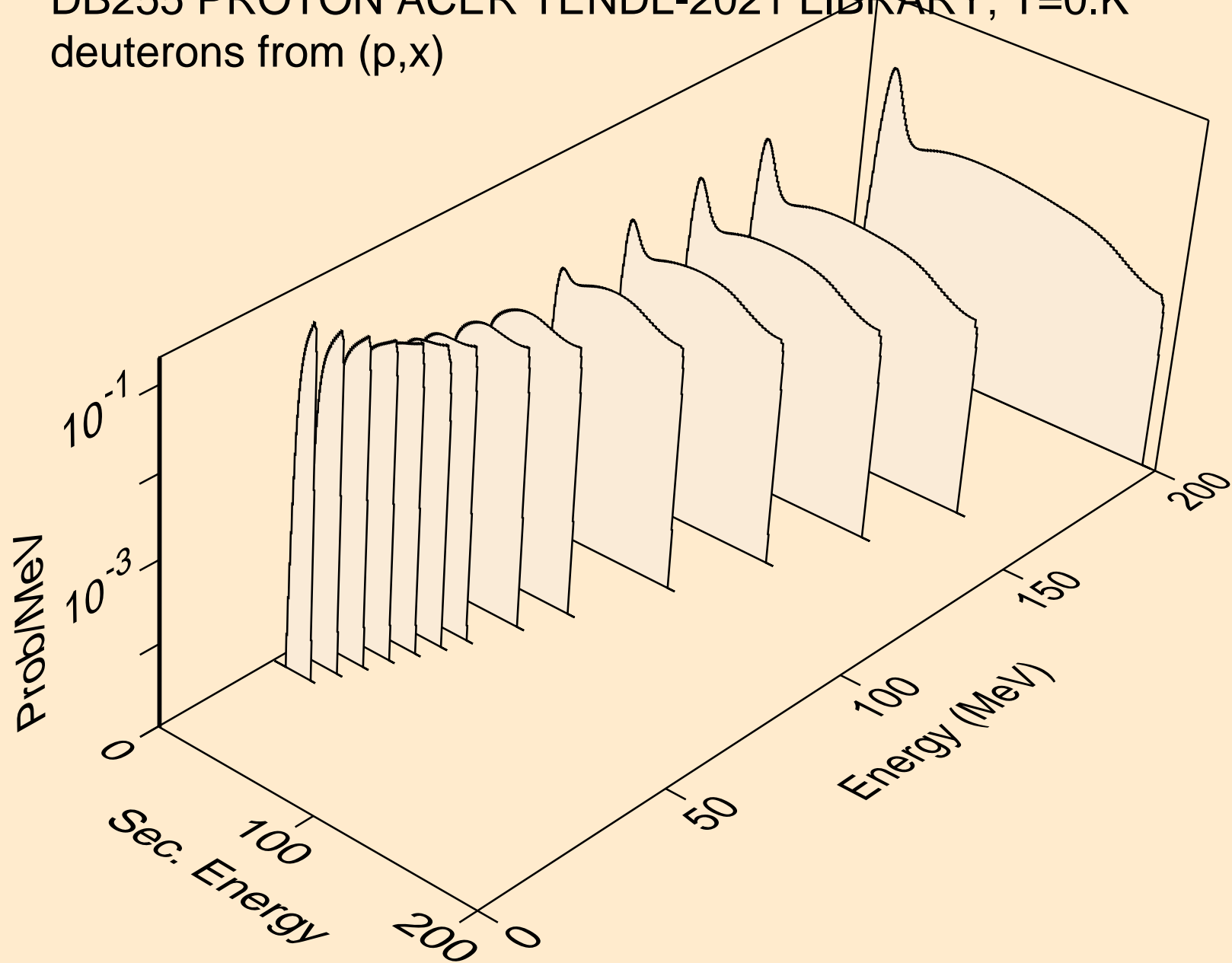
DB255 PROTON ACER TENDL-2021 LIBRARY; T=0.K
neutrons from (p,2np)



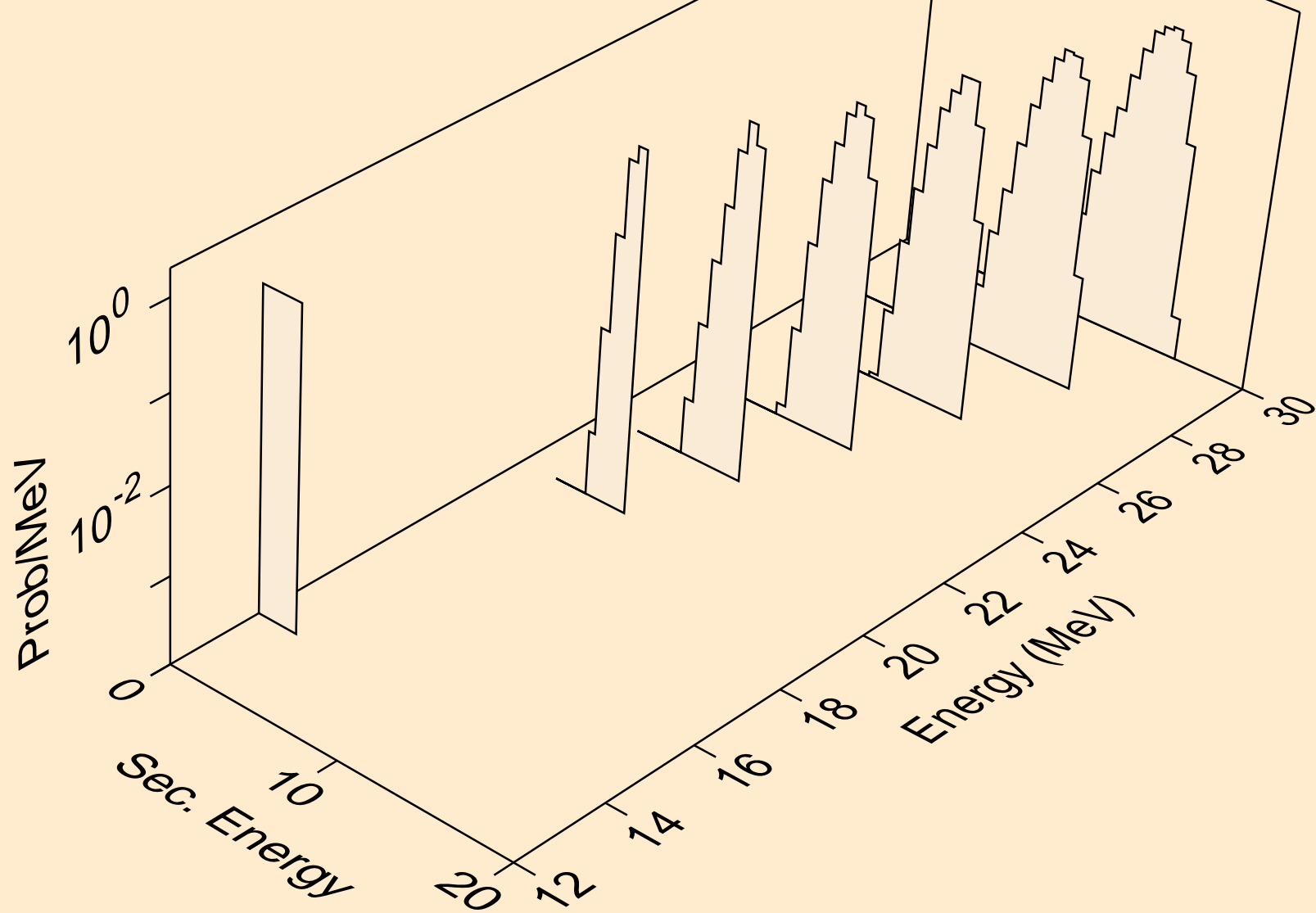
DB255 PROTON ACER TENDL-2021 LIBRARY; T=0.K
neutrons from (p,npa)



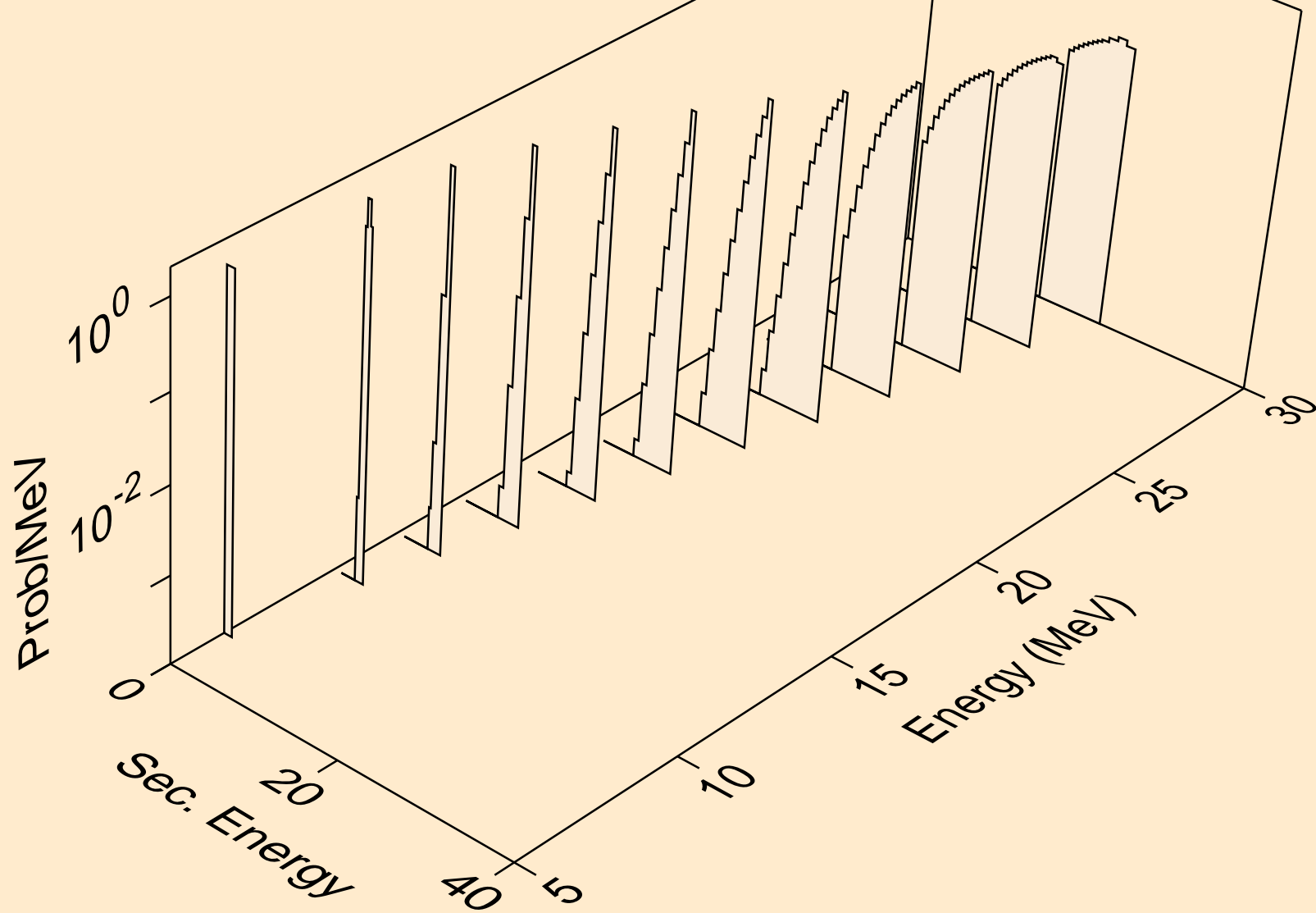
DB255 PROTON ACER TENDL-2021 LIBRARY; T=0.K
deuterons from (p,x)



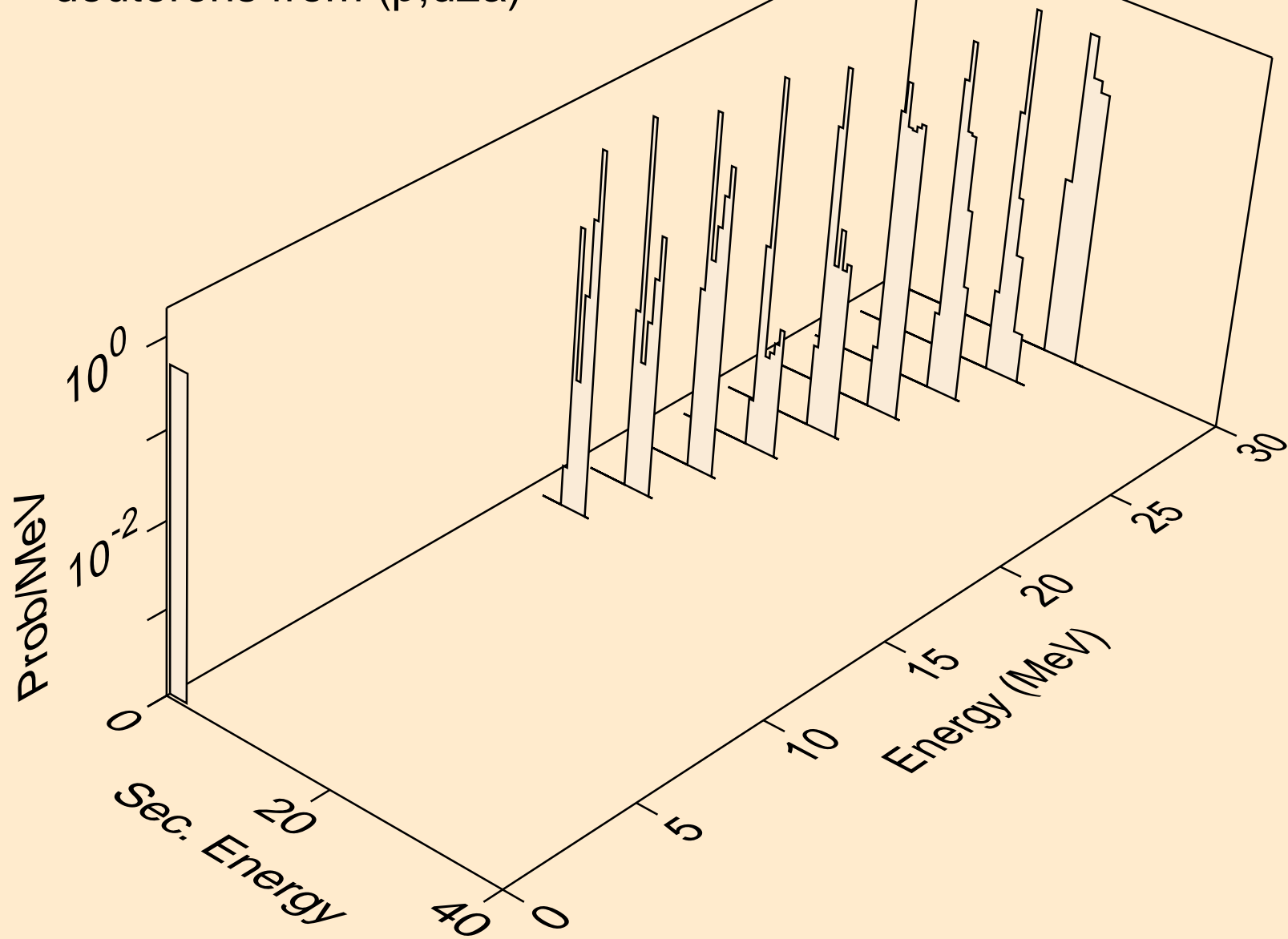
DB255 PROTON ACER TENDL-2021 LIBRARY; T=0.K
deuterons from (p,n*)d



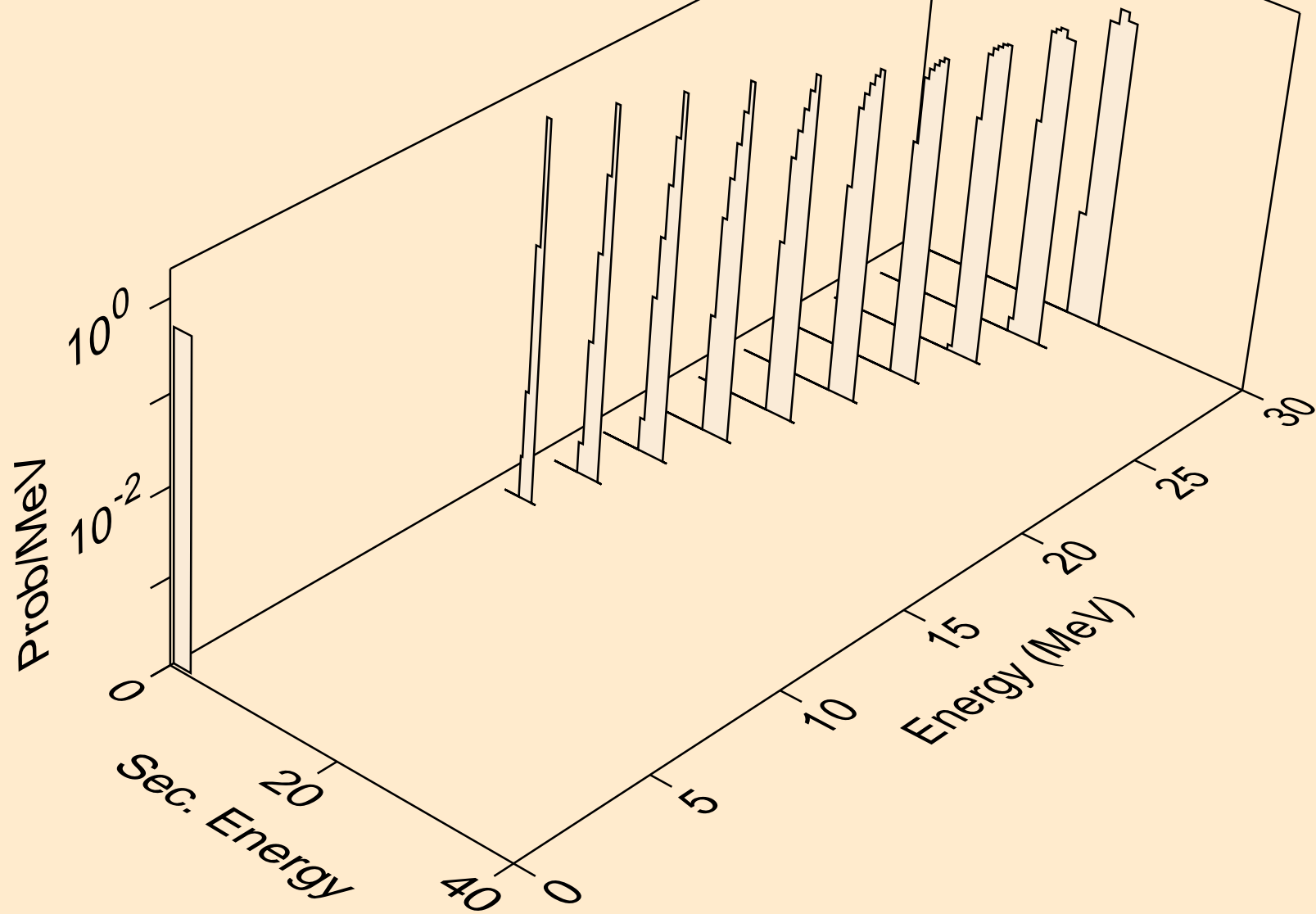
DB255 PROTON ACER TENDL-2021 LIBRARY; T=0.K
deuterons from (p,d)



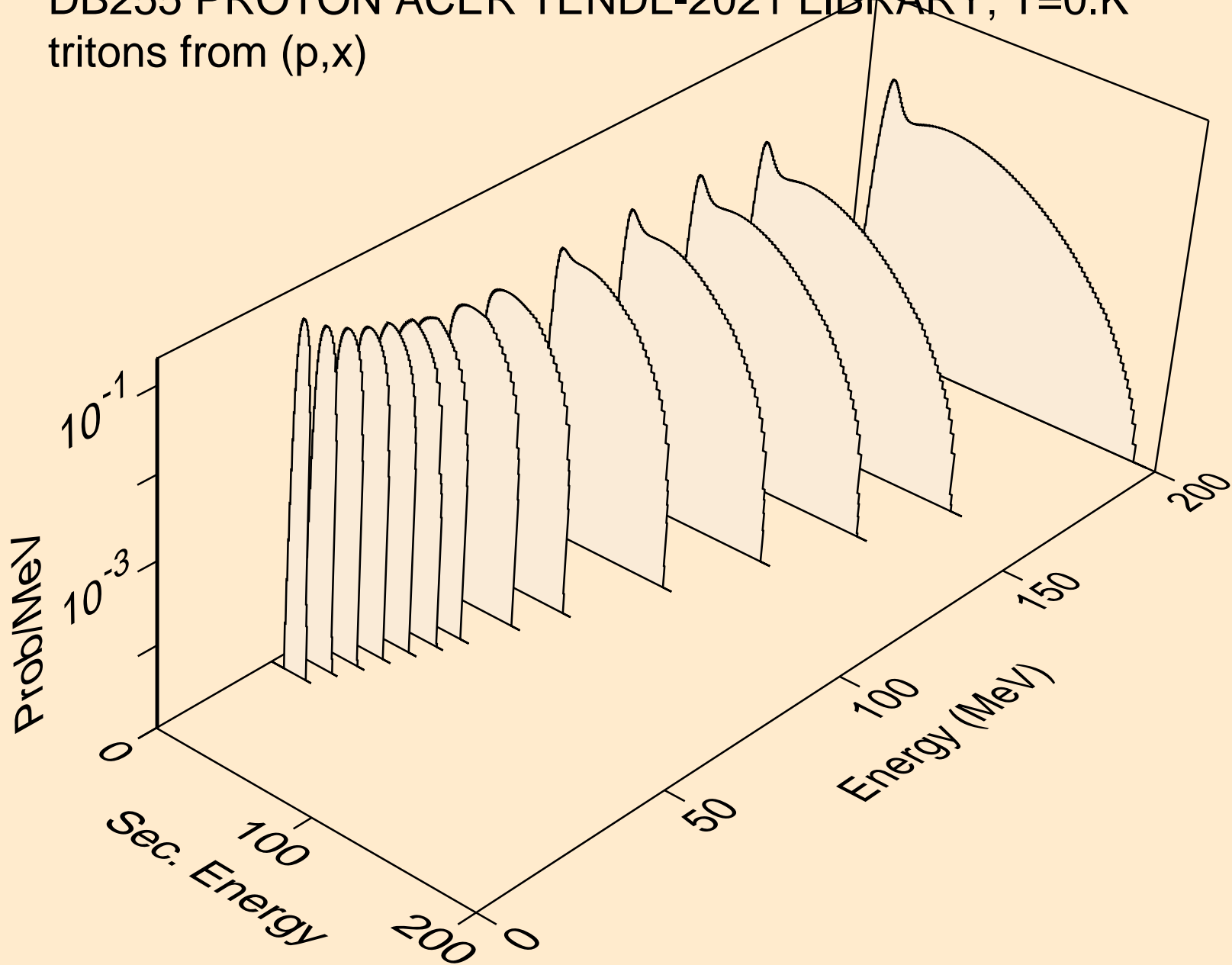
DB255 PROTON ACER TENDL-2021 LIBRARY; T=0.K
deuterons from (p,d2a)



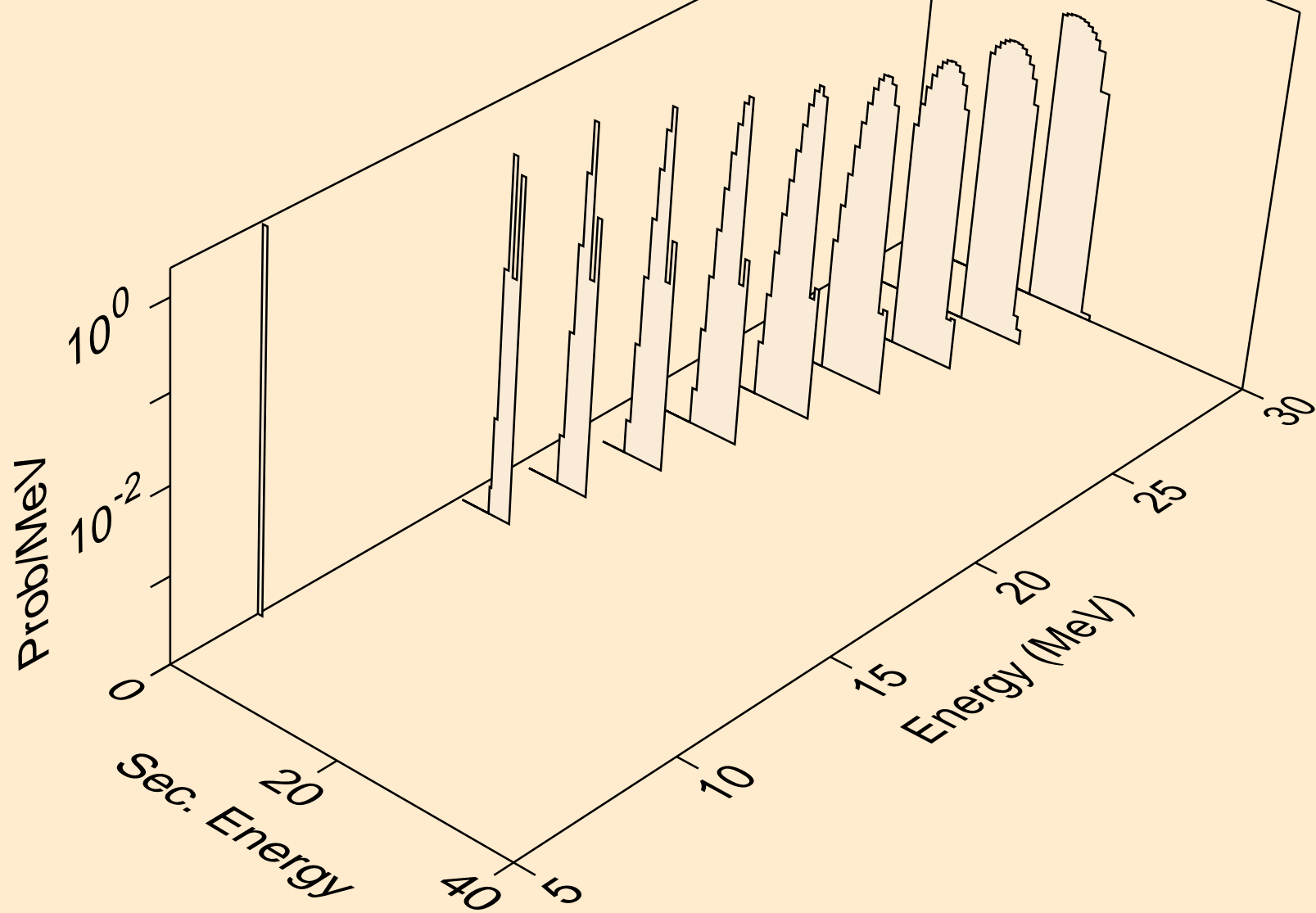
DB255 PROTON ACER TENDL-2021 LIBRARY; T=0.K
deuterons from (p,da)



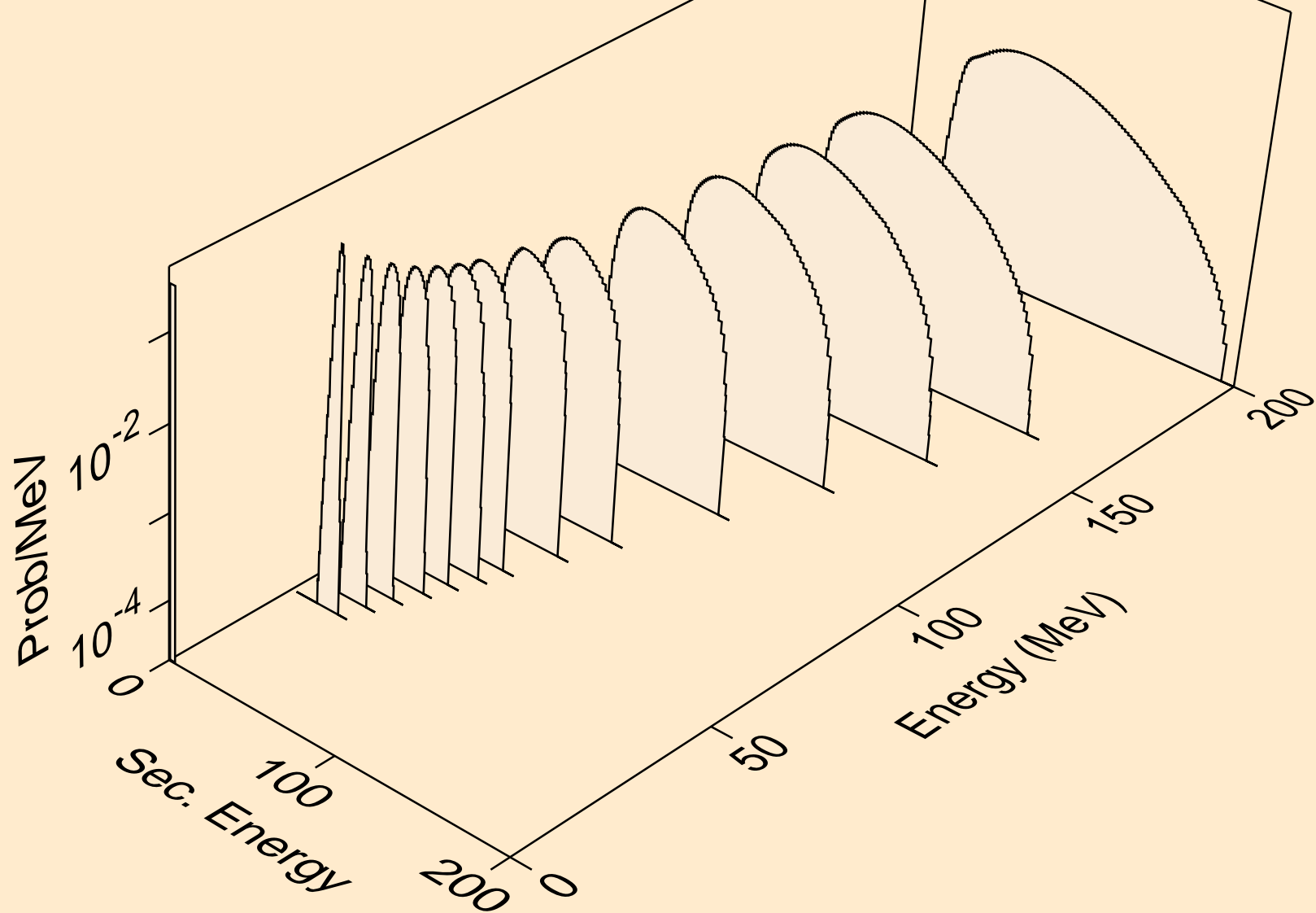
DB255 PROTON ACER TENDL-2021 LIBRARY; T=0.K
tritons from (p,x)



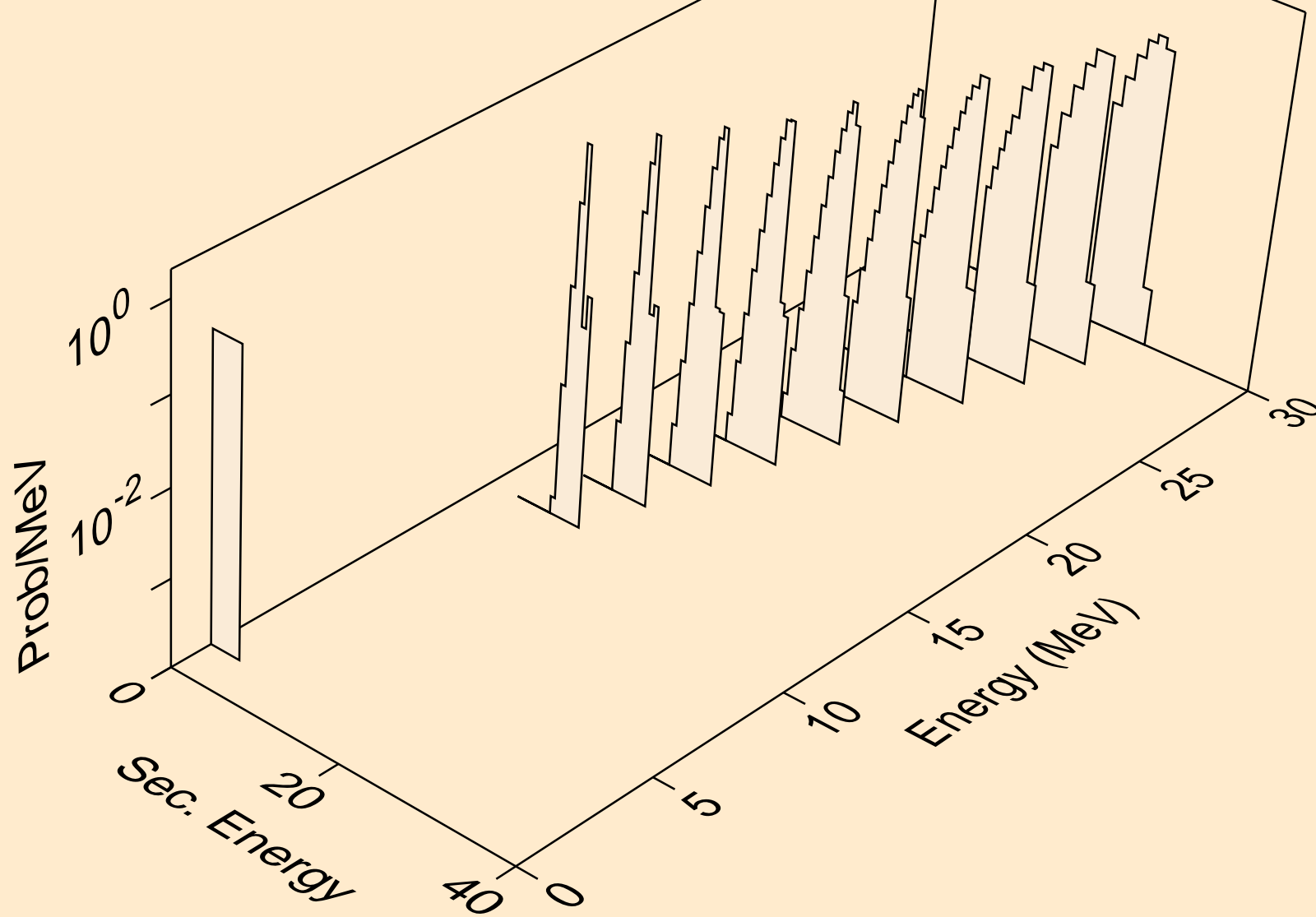
DB255 PROTON ACER TENDL-2021 LIBRARY; T=0.K
tritons from (p,t)



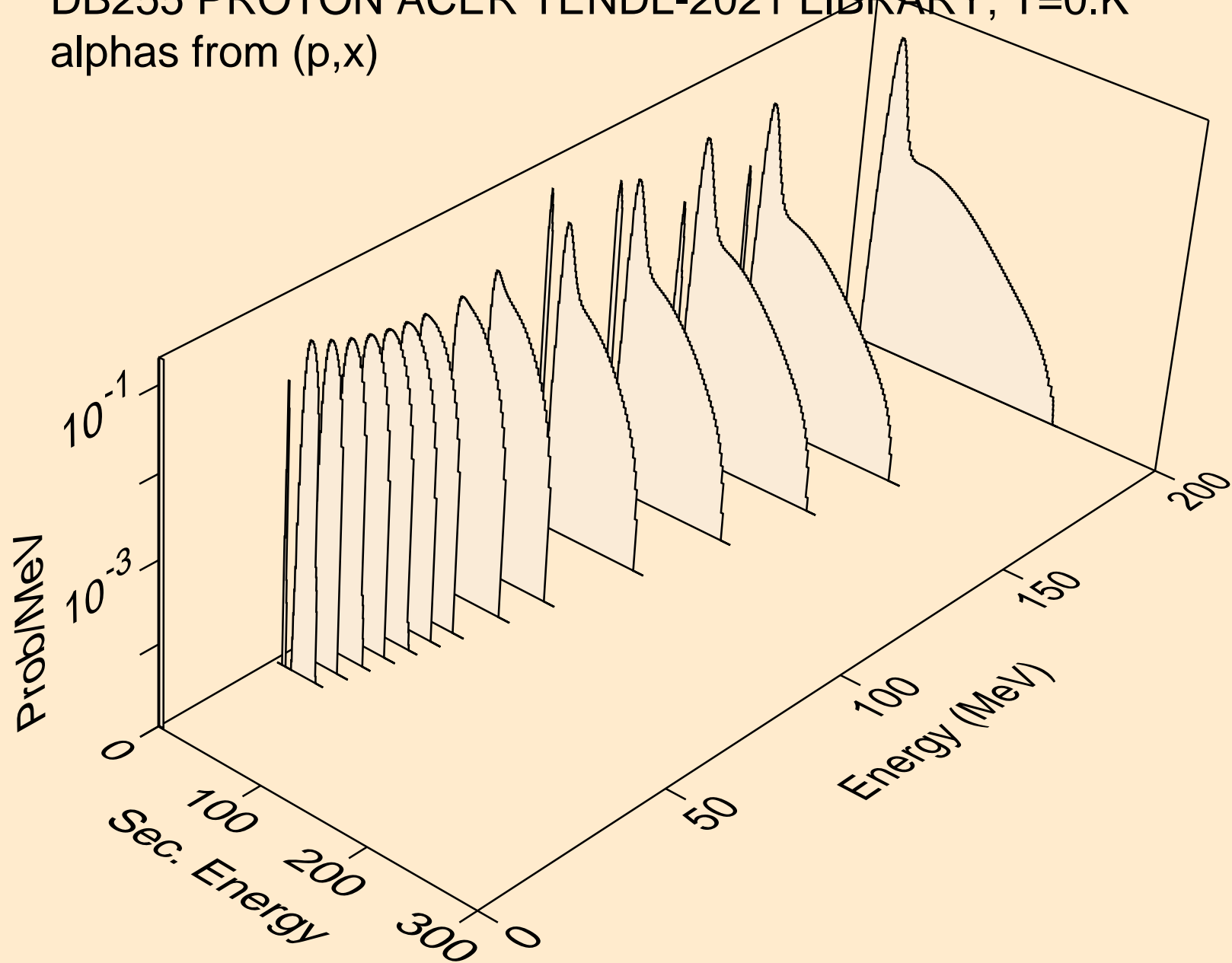
DB255 PROTON ACER TENDL-2021 LIBRARY; T=0.K
he3s from (p,x)



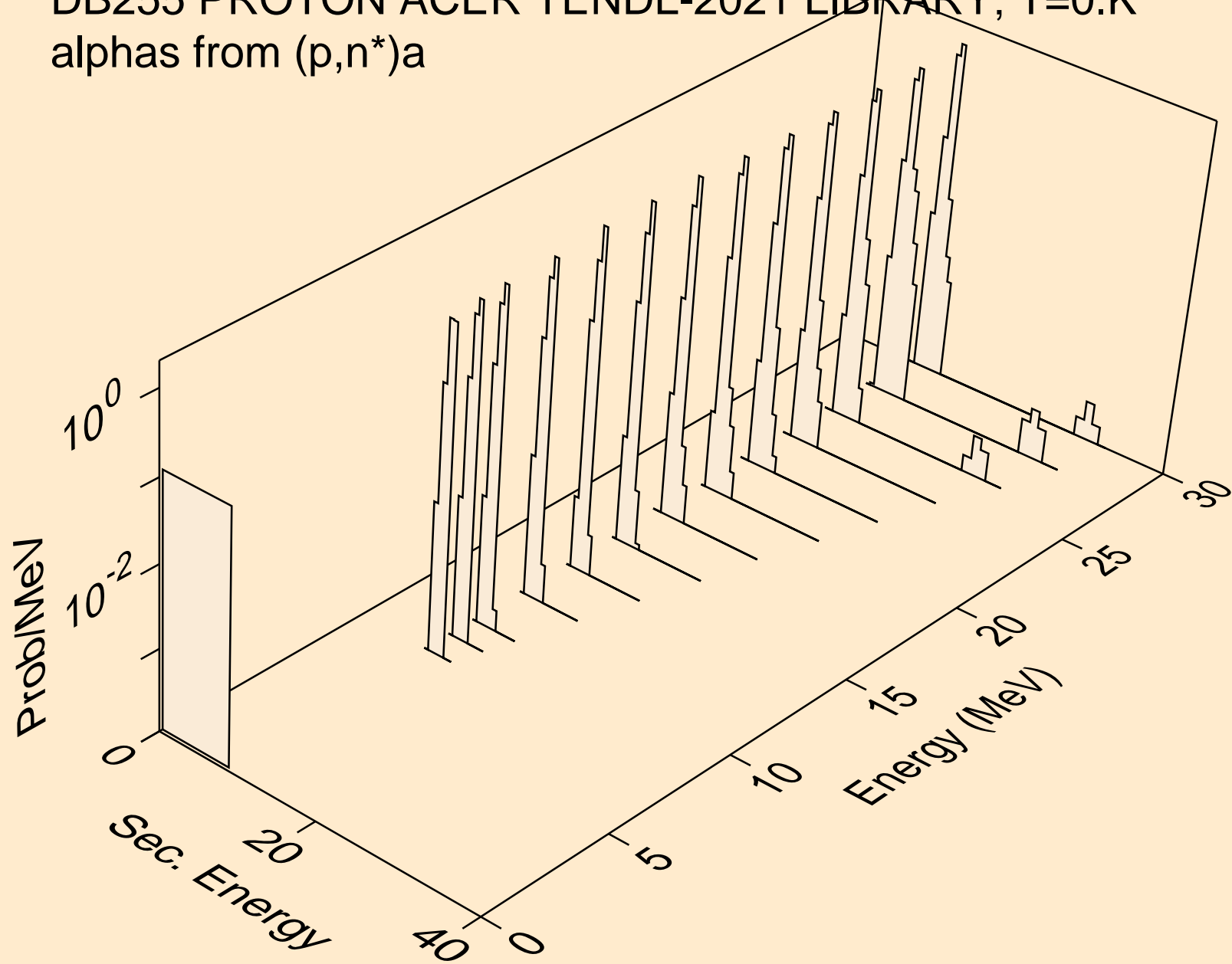
DB255 PROTON ACER TENDL-2021 LIBRARY; T=0.K
he3s from (p,he3)



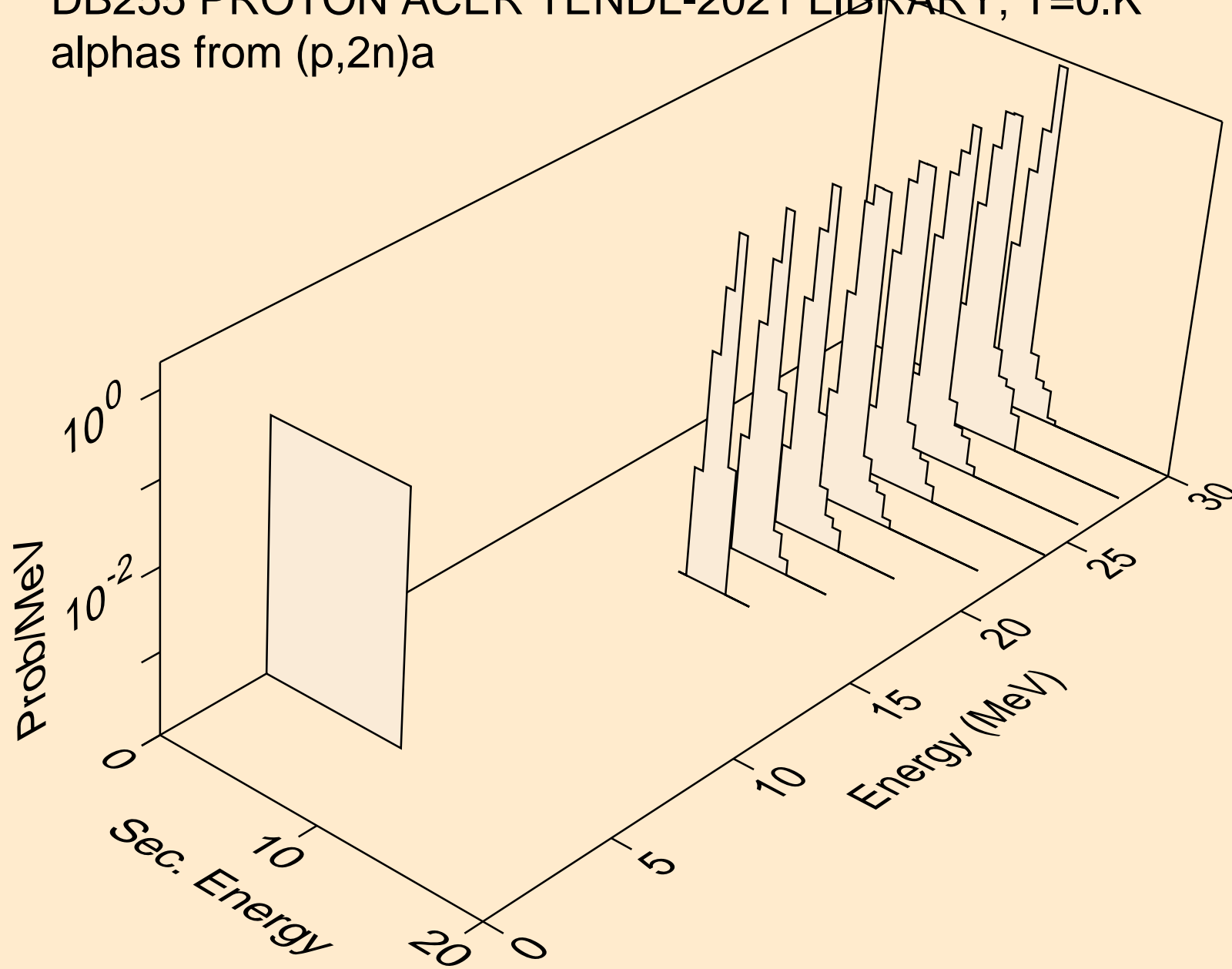
DB255 PROTON ACER TENDL-2021 LIBRARY; T=0.K
alphas from (p,x)



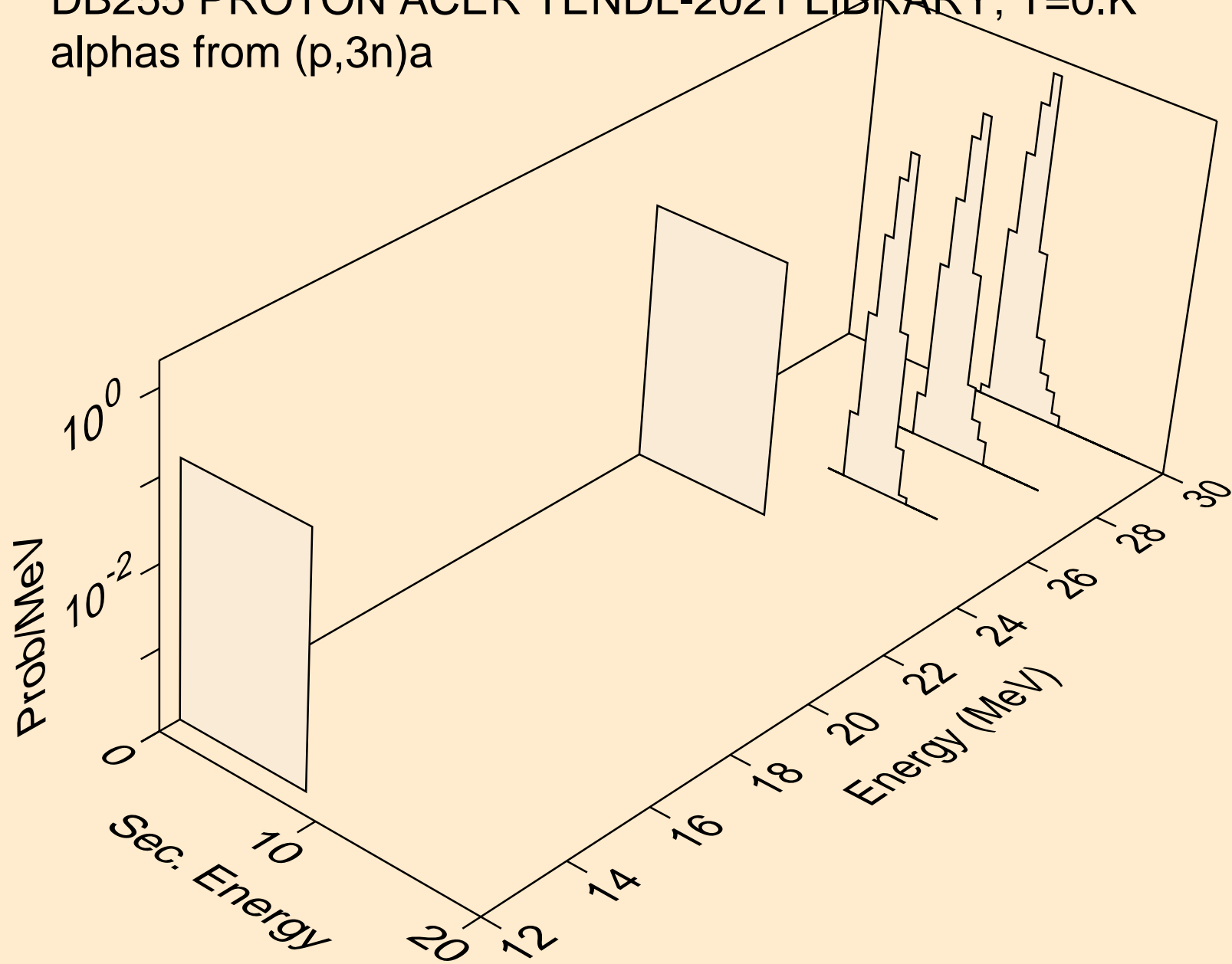
DB255 PROTON ACER TENDL-2021 LIBRARY; T=0.K
alphas from (p,n*)a



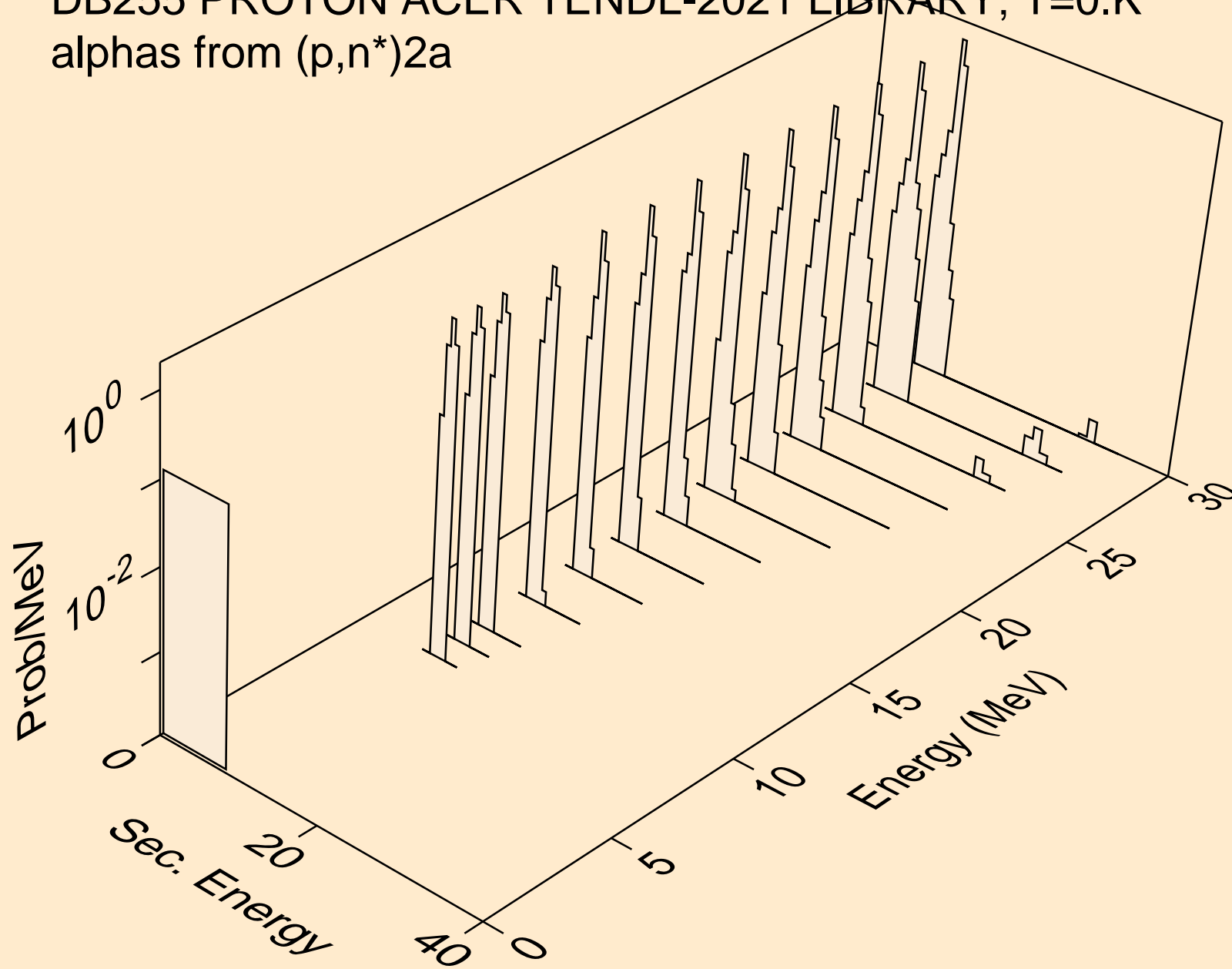
DB255 PROTON ACER TENDL-2021 LIBRARY; T=0.K
alphas from (p,2n)a



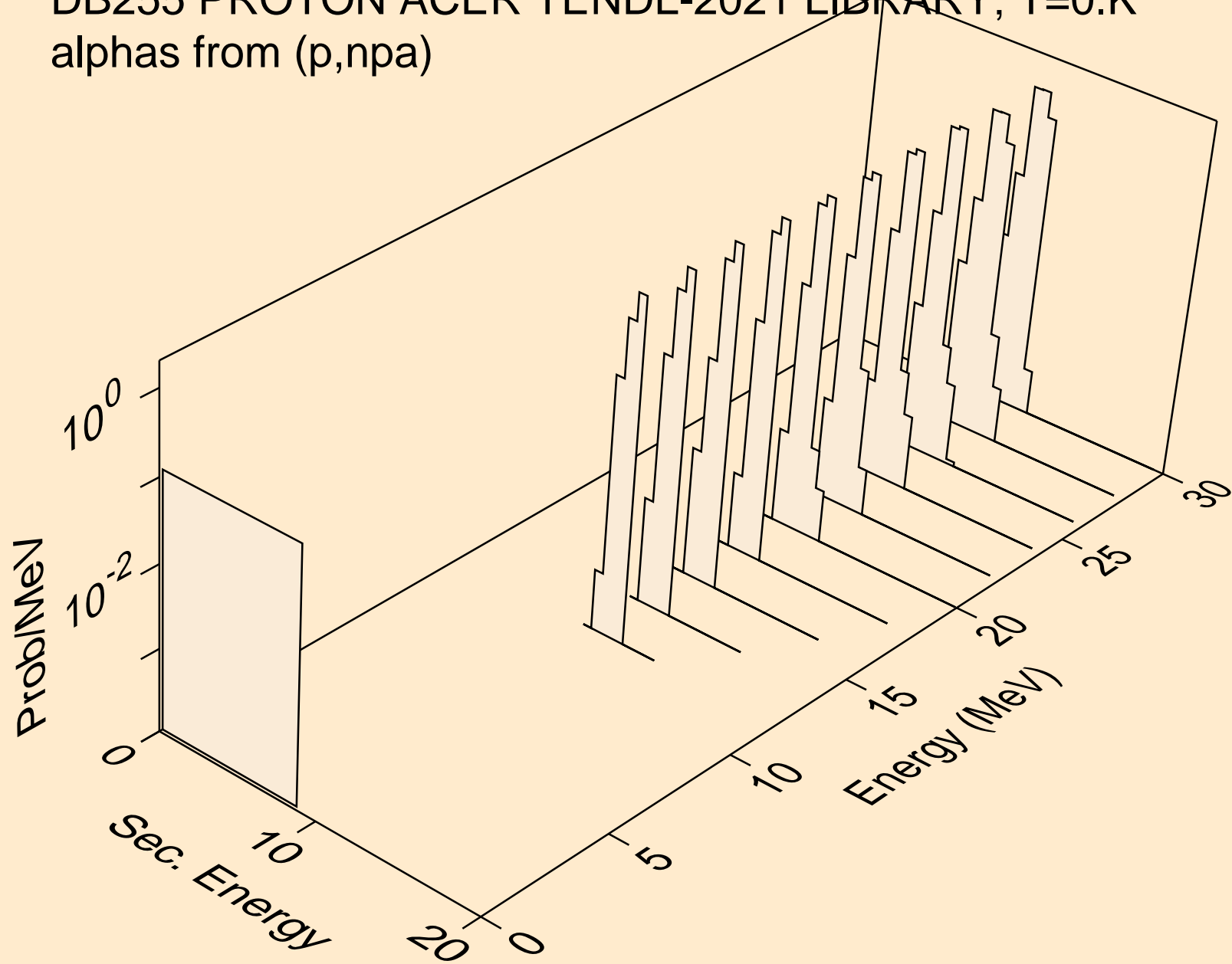
DB255 PROTON ACER TENDL-2021 LIBRARY; T=0.K
alphas from (p,3n)a



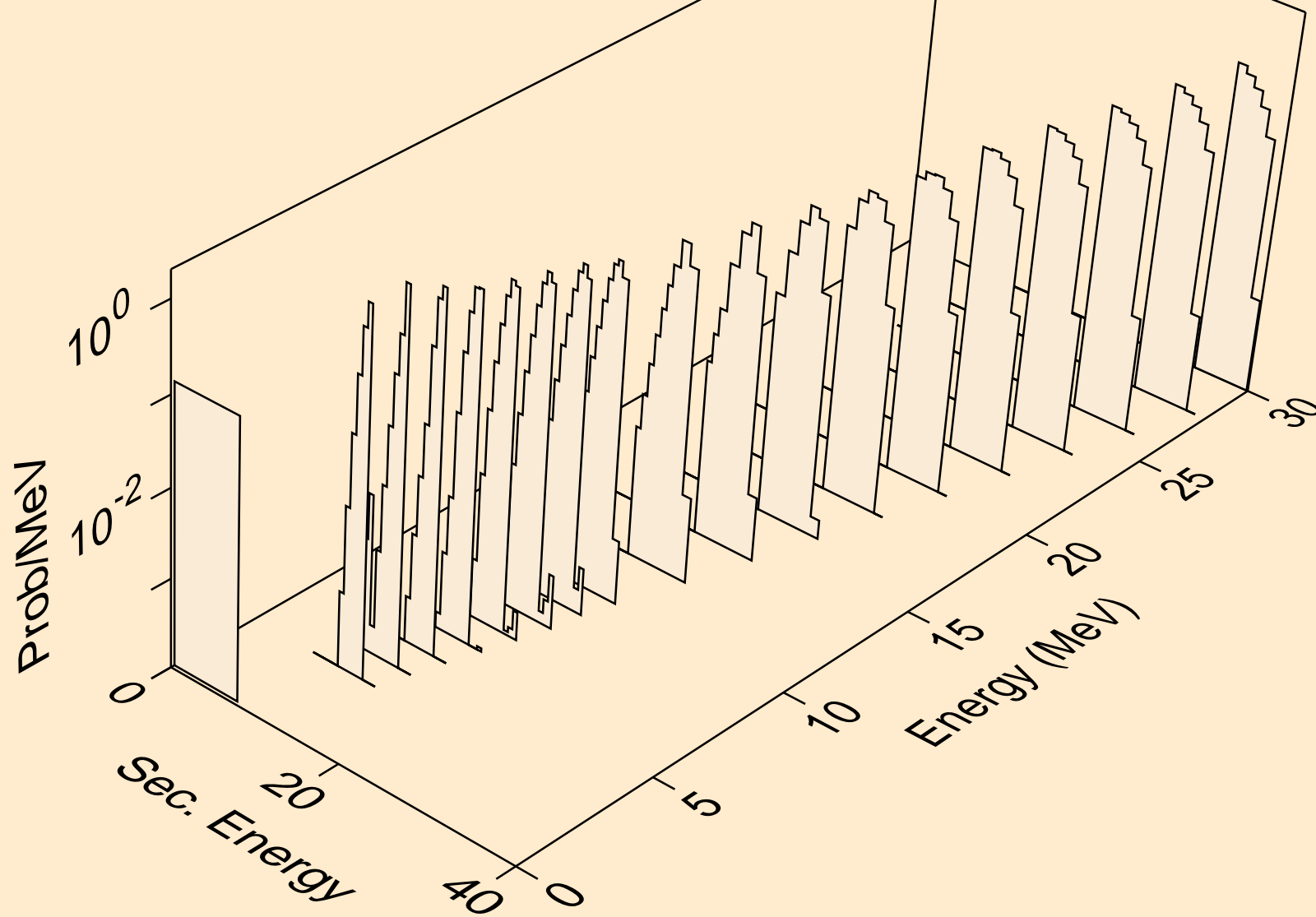
DB255 PROTON ACER TENDL-2021 LIBRARY; T=0.K
alphas from (p,n*)2a



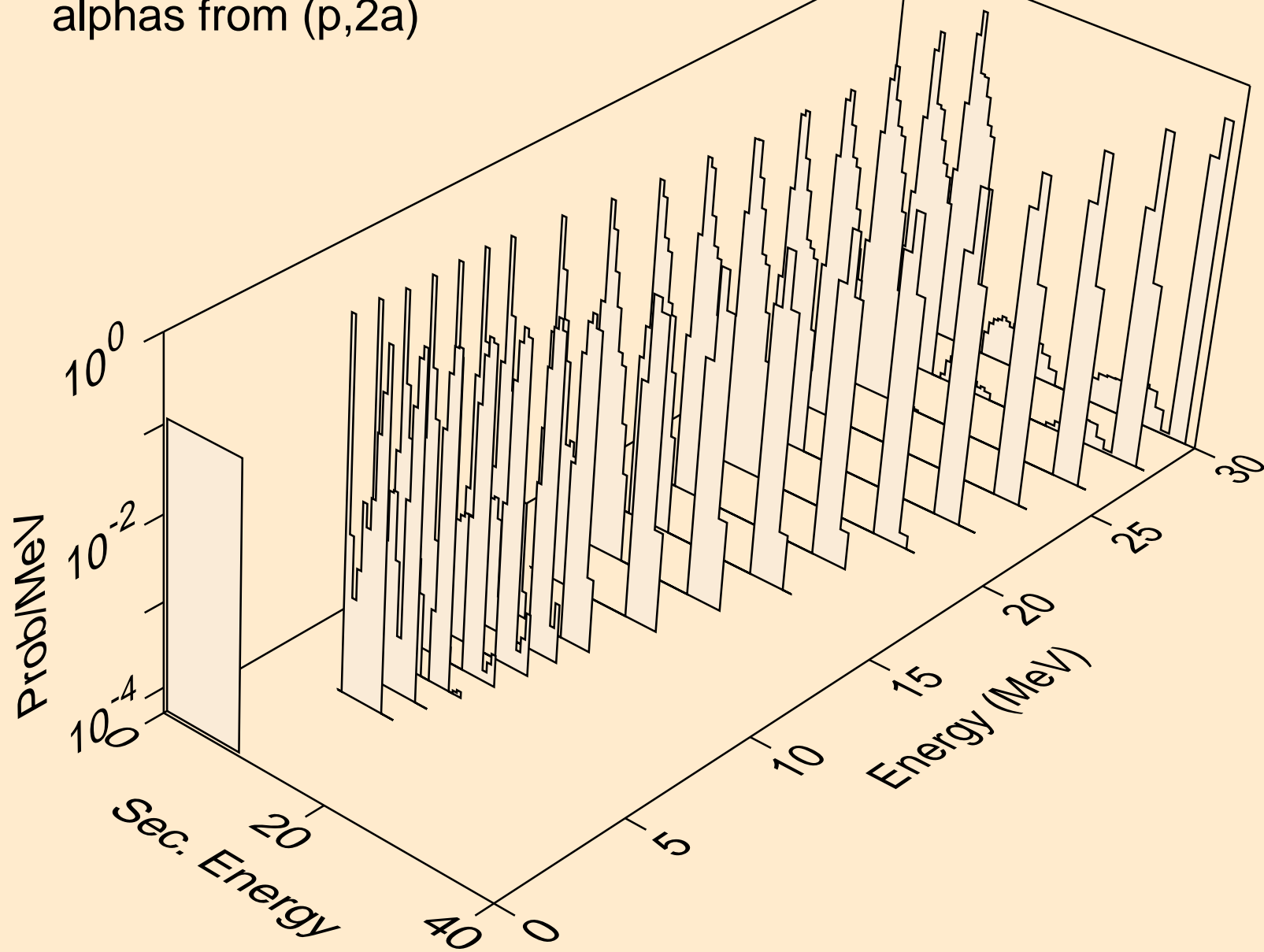
DB255 PROTON ACER TENDL-2021 LIBRARY; T=0.K
alphas from (p,npa)



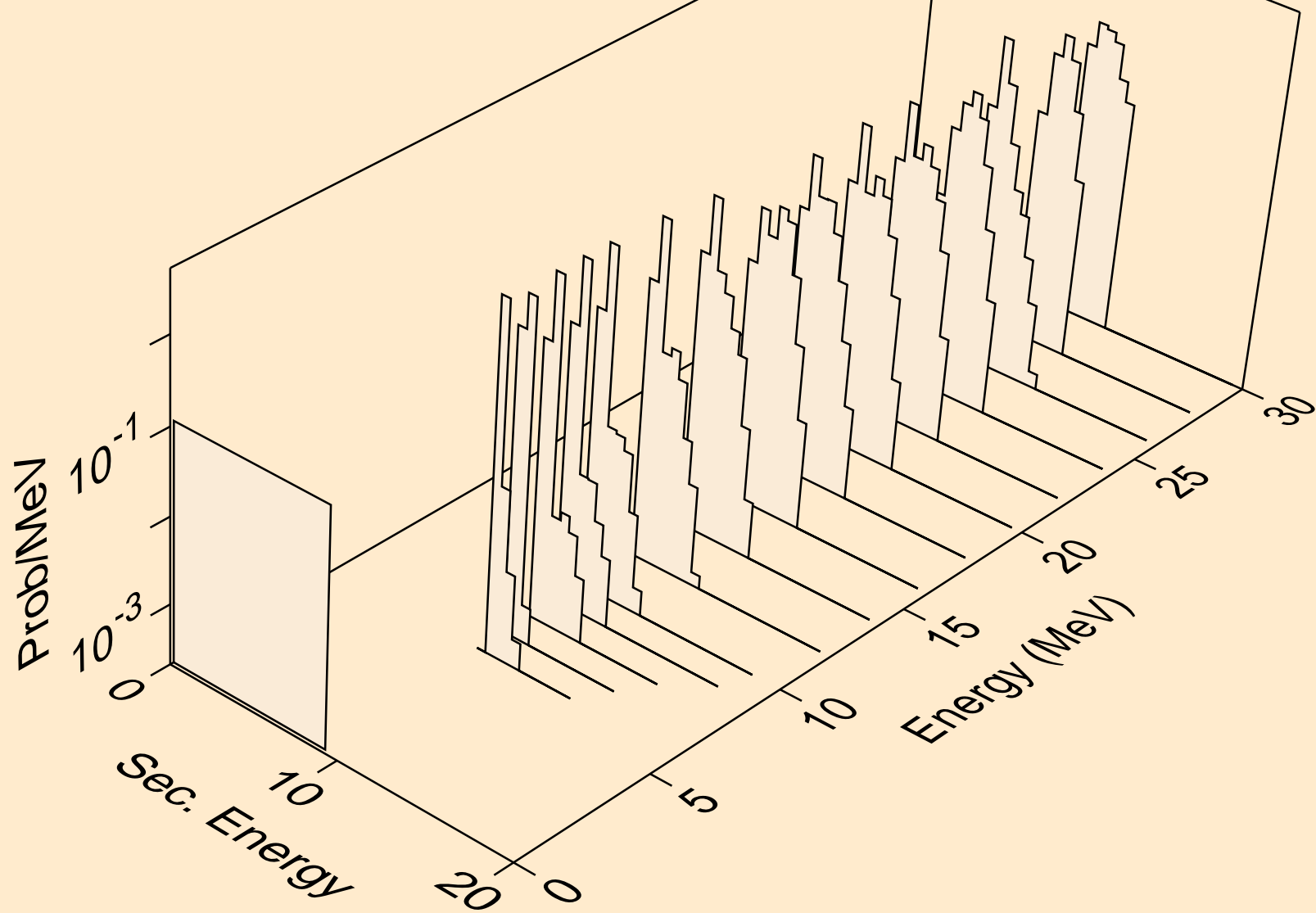
DB255 PROTON ACER TENDL-2021 LIBRARY; T=0.K
alphas from (p,a)



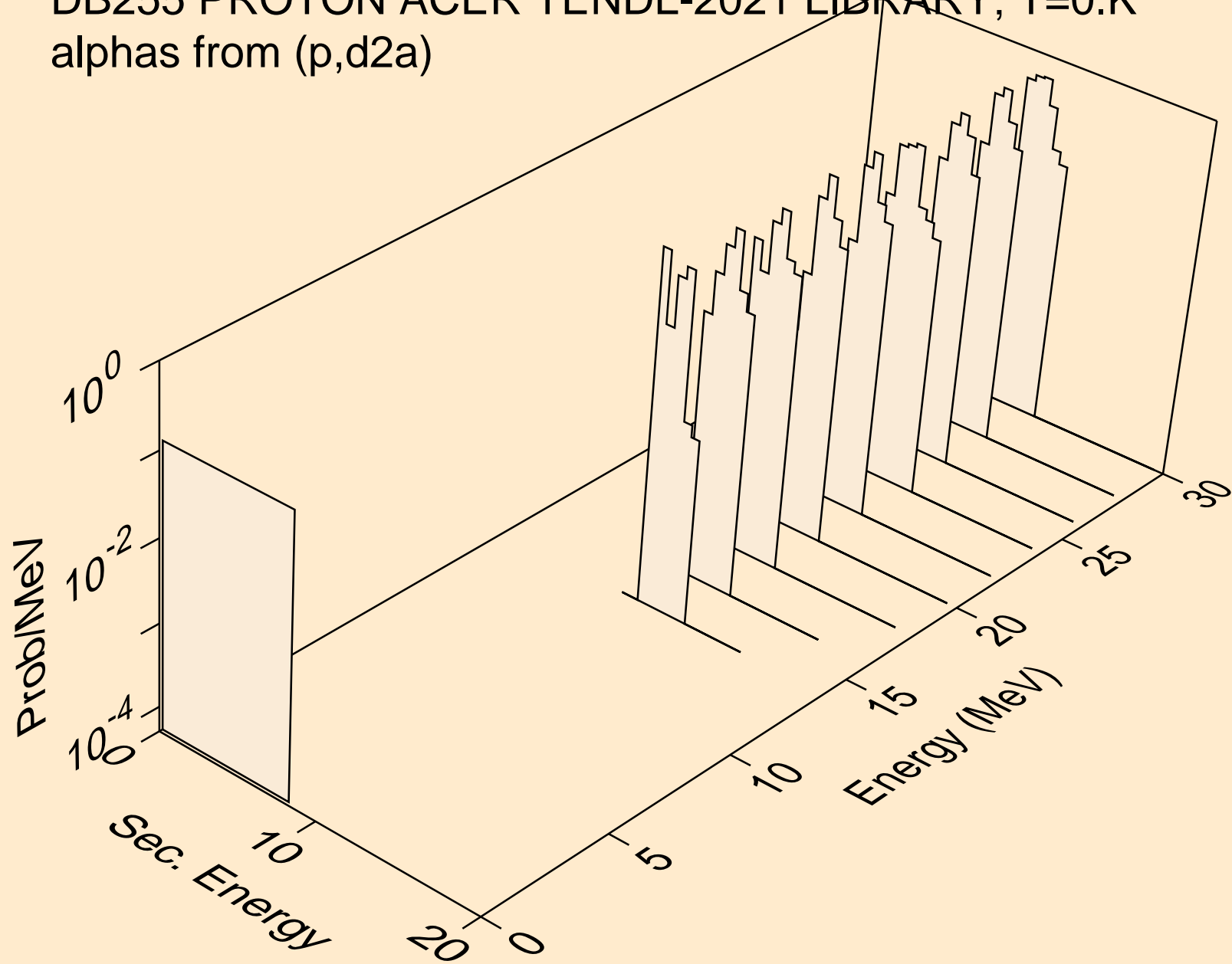
DB255 PROTON ACER TENDL-2021 LIBRARY; T=0.K
alphas from (p,2a)



DB255 PROTON ACER TENDL-2021 LIBRARY; T=0.K
alphas from (p,pa)



DB255 PROTON ACER TENDL-2021 LIBRARY; T=0.K
alphas from (p,d2a)



DB255 PROTON ACER TENDL-2021 LIBRARY; T=0.K
alphas from (p,da)

