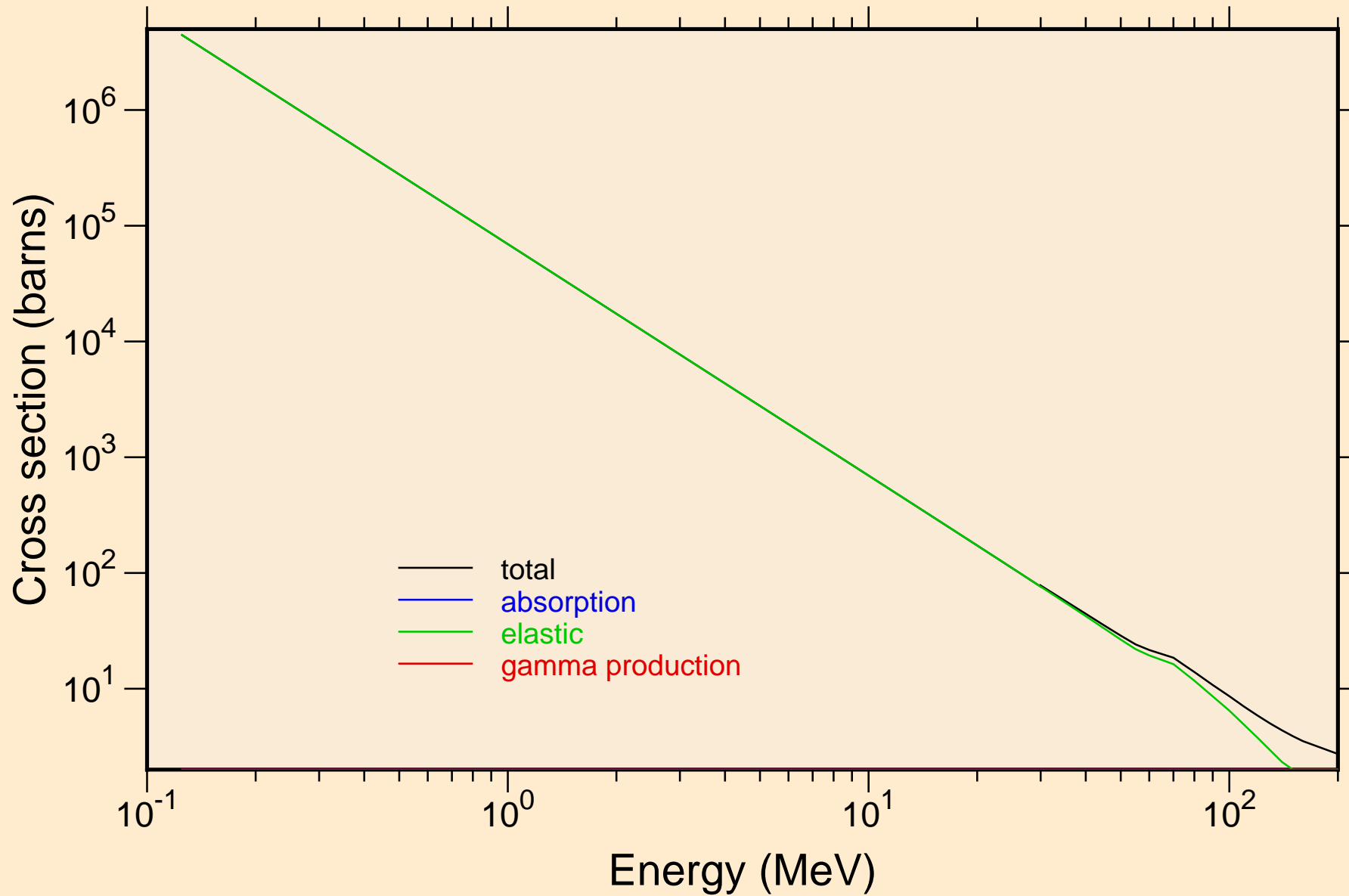


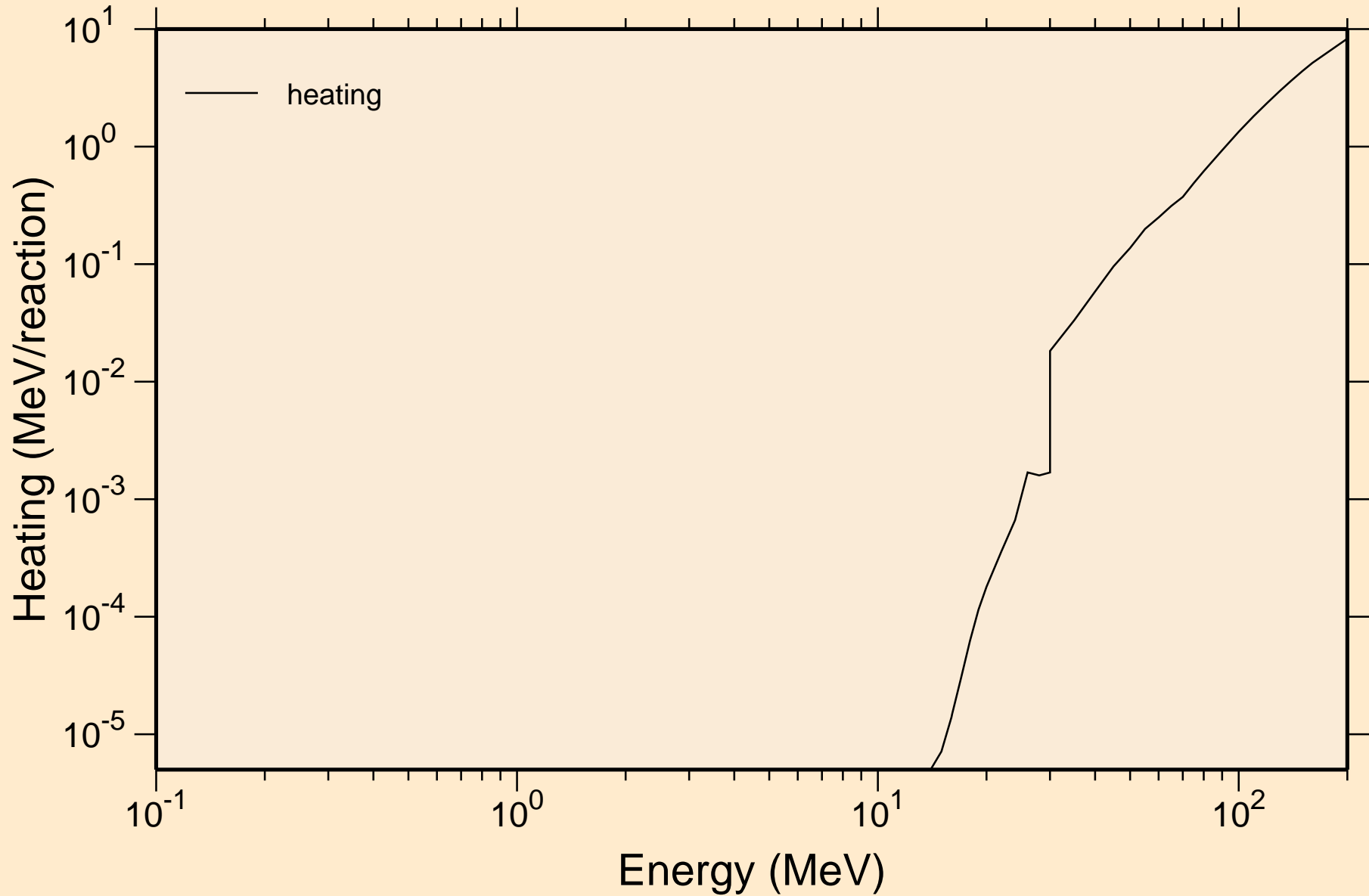
SG269 PROTON ACER TENDL-2021 LIBRARY; T=0.K

Principal cross sections



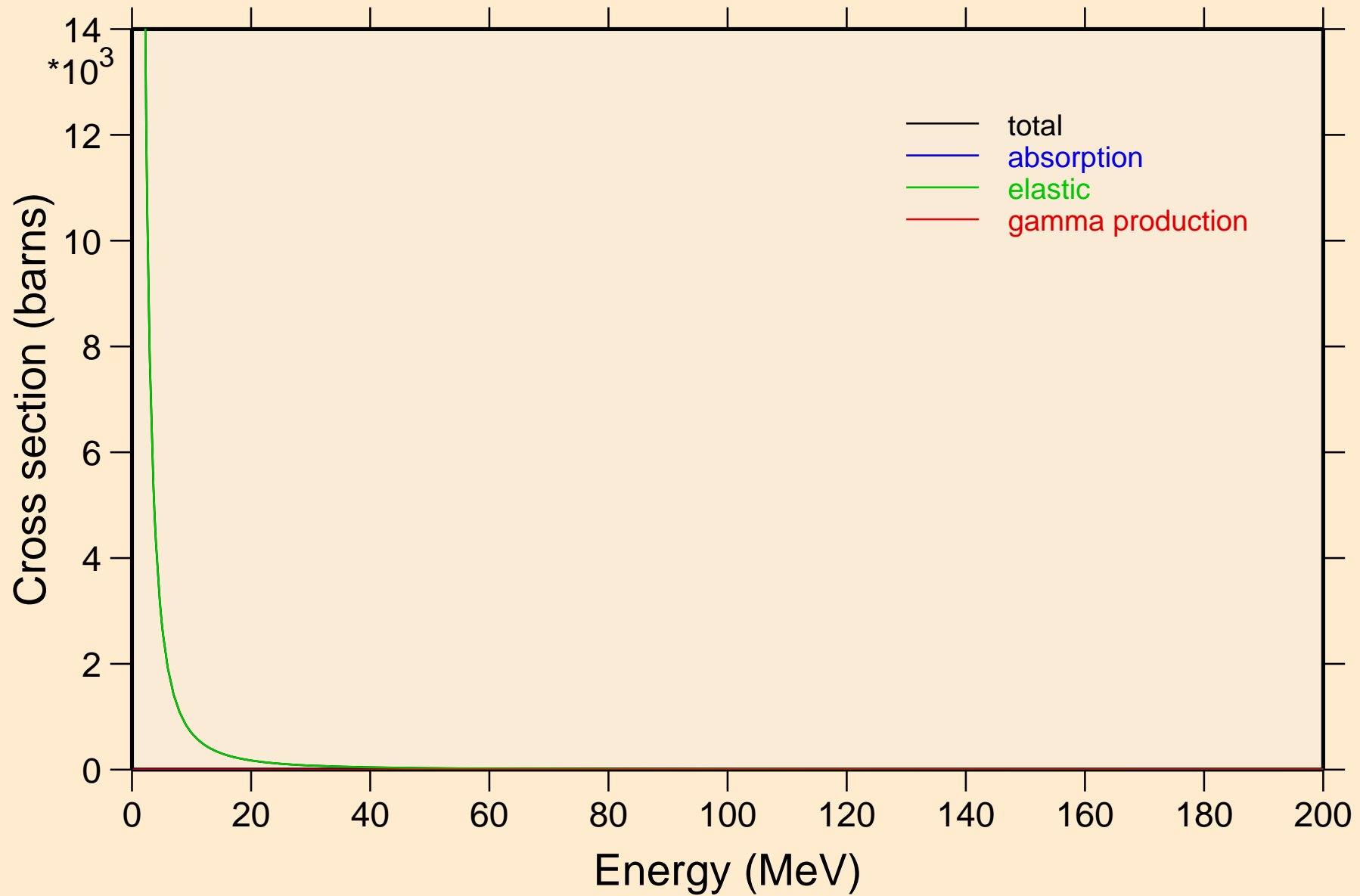
SG269 PROTON ACER TENDL-2021 LIBRARY; T=0.K

Heating



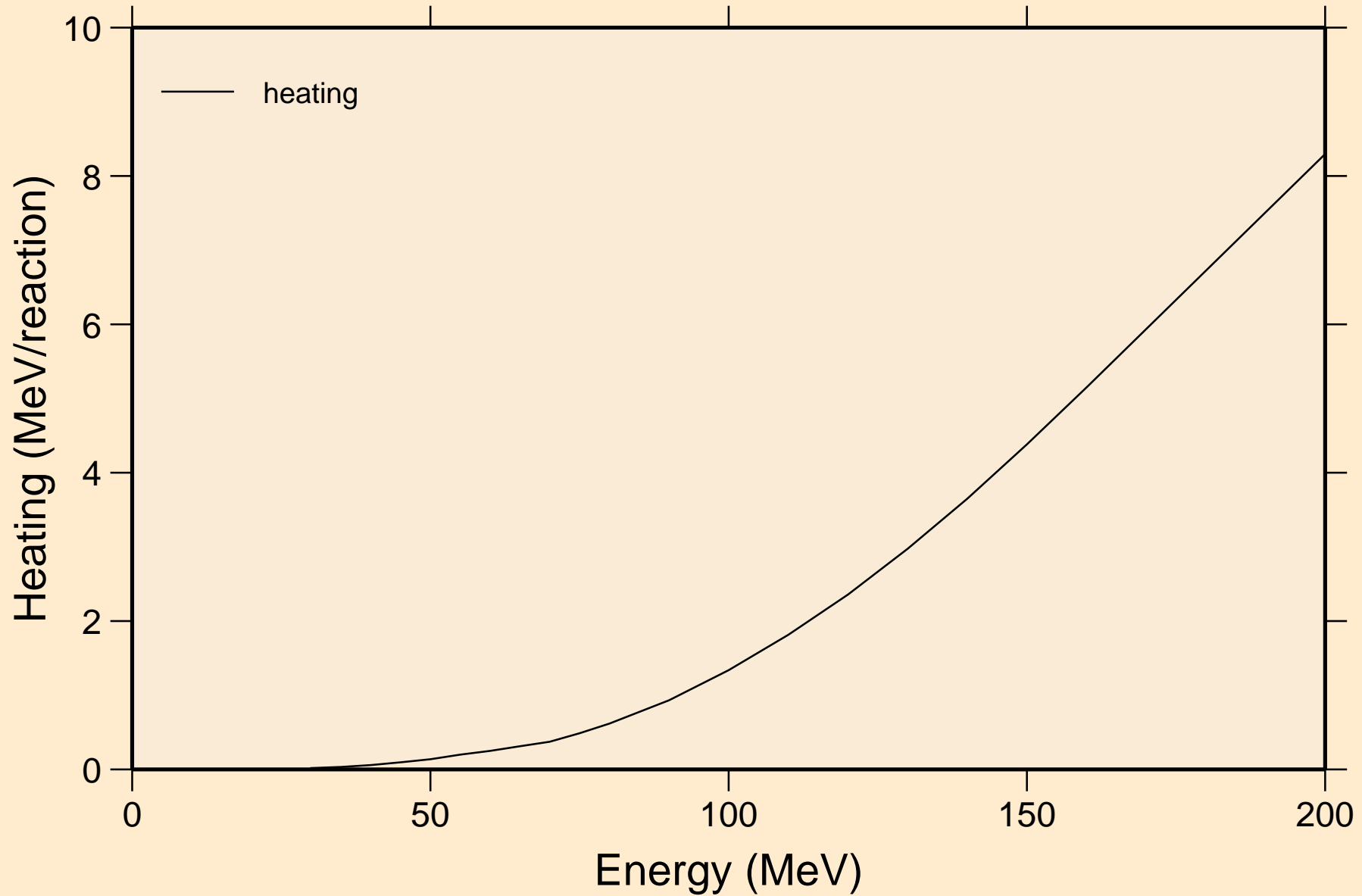
SG269 PROTON ACER TENDL-2021 LIBRARY; T=0.K

Principal cross sections



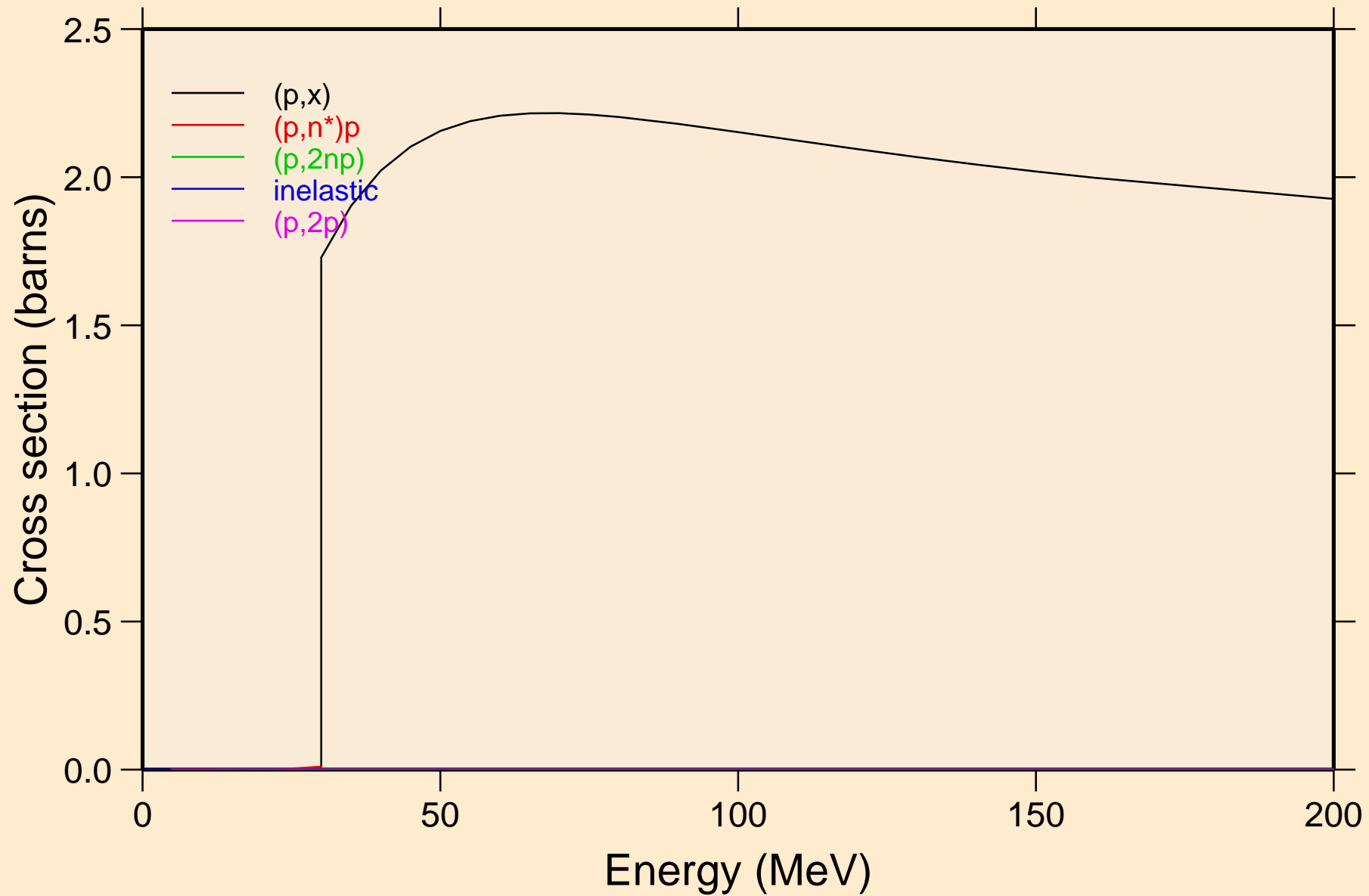
SG269 PROTON ACER TENDL-2021 LIBRARY; T=0.K

Heating

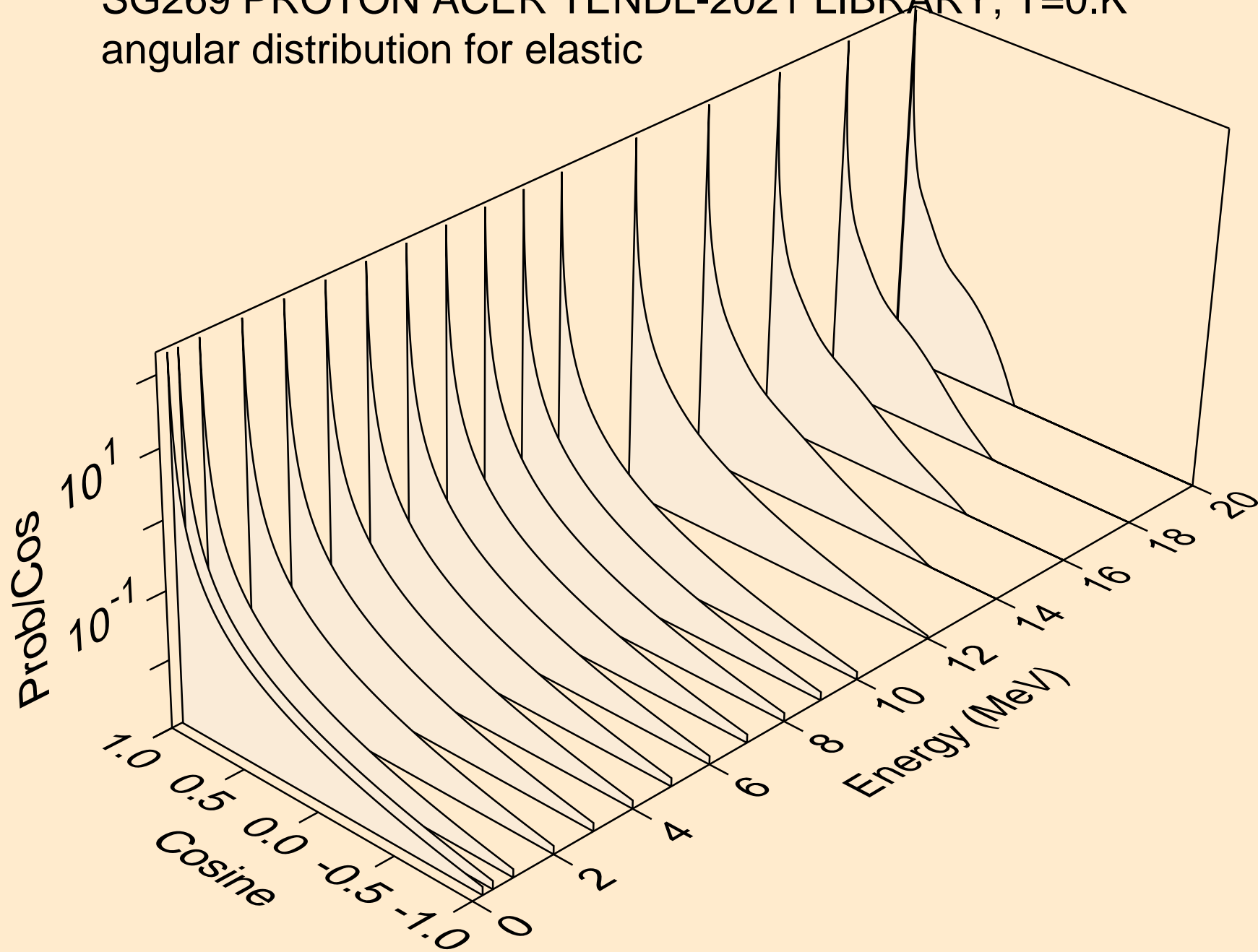


SG269 PROTON ACER TENDL-2021 LIBRARY; T=0.K

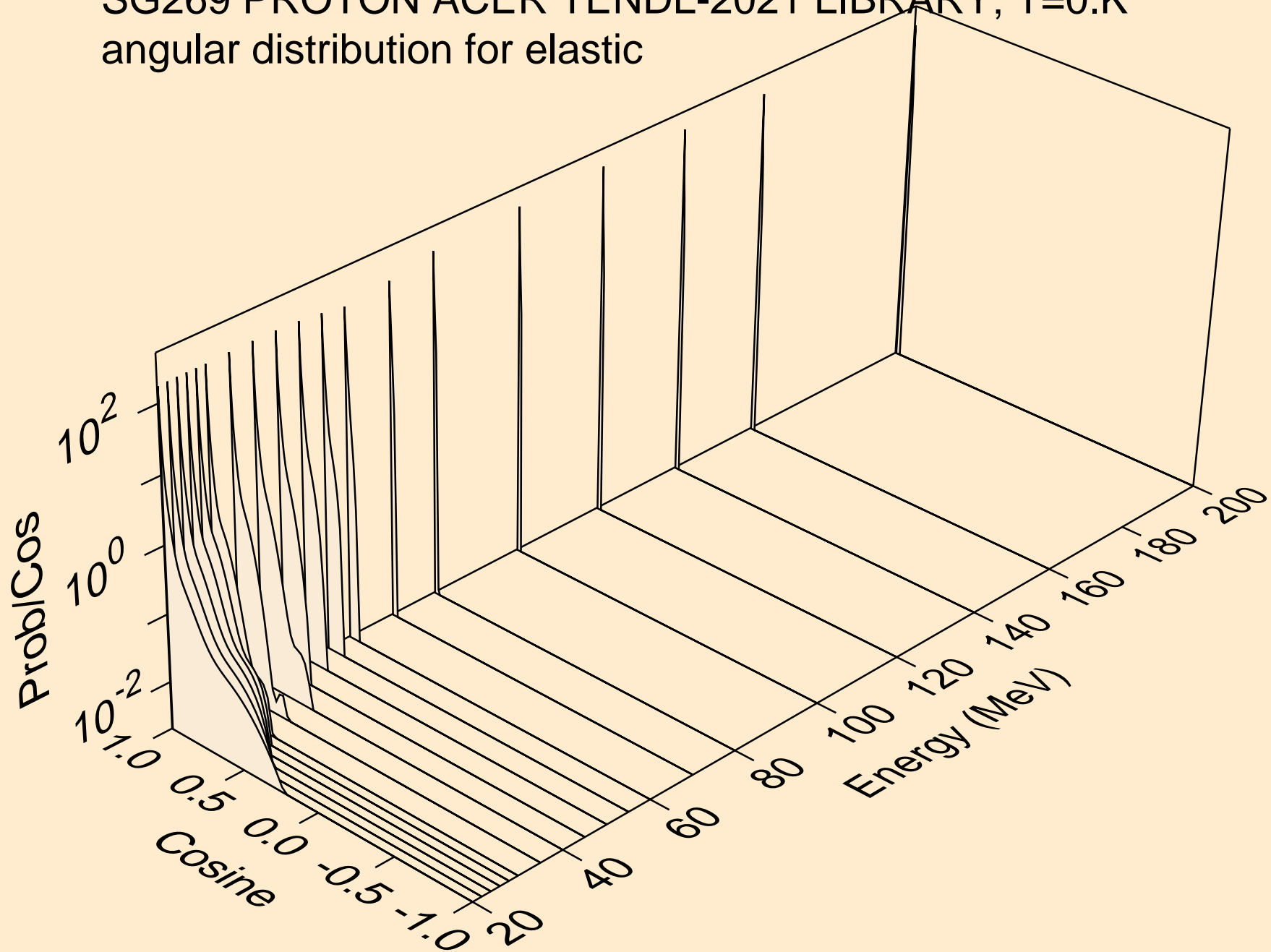
Threshold reactions



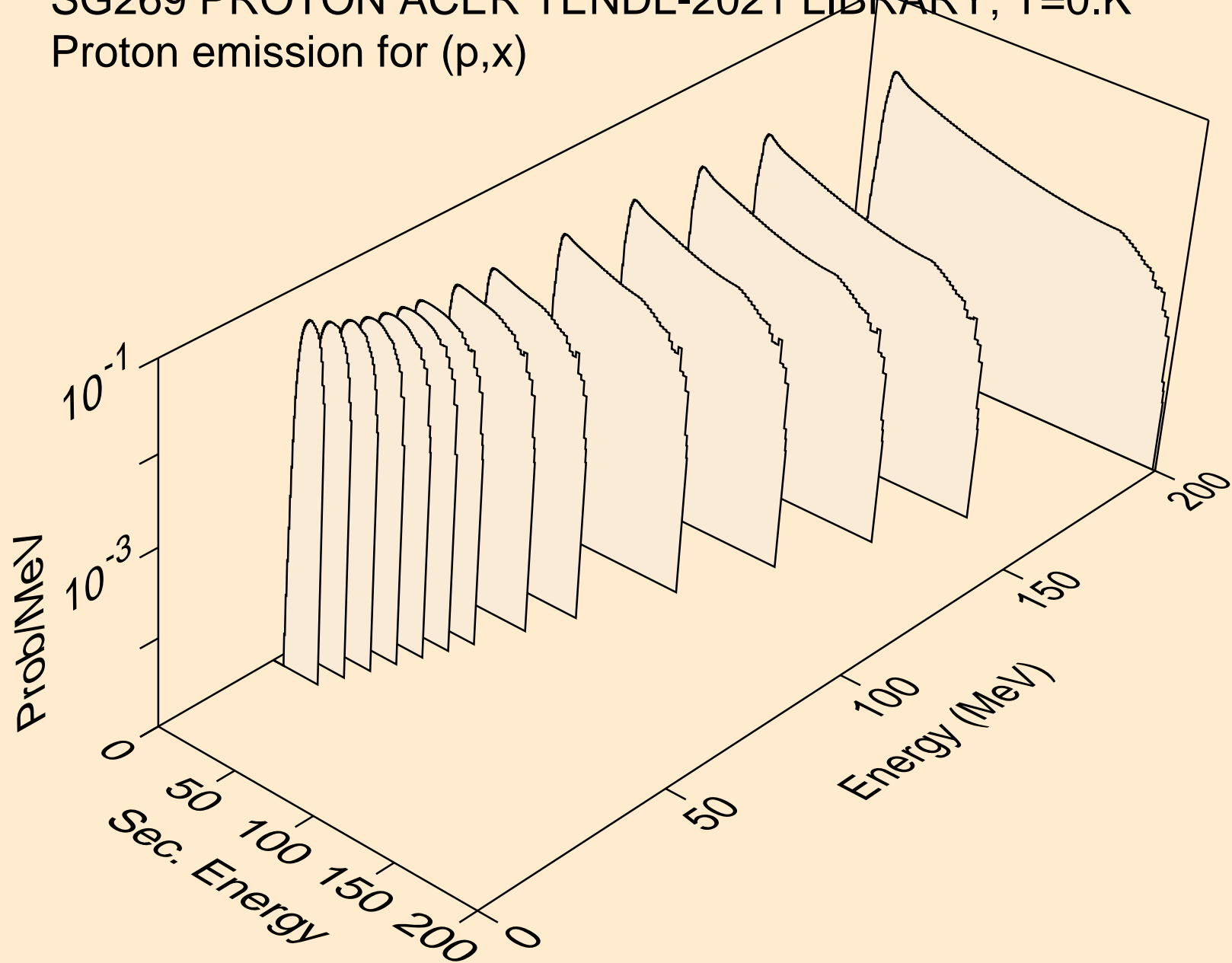
SG269 PROTON ACER TENDL-2021 LIBRARY; T=0.K
angular distribution for elastic



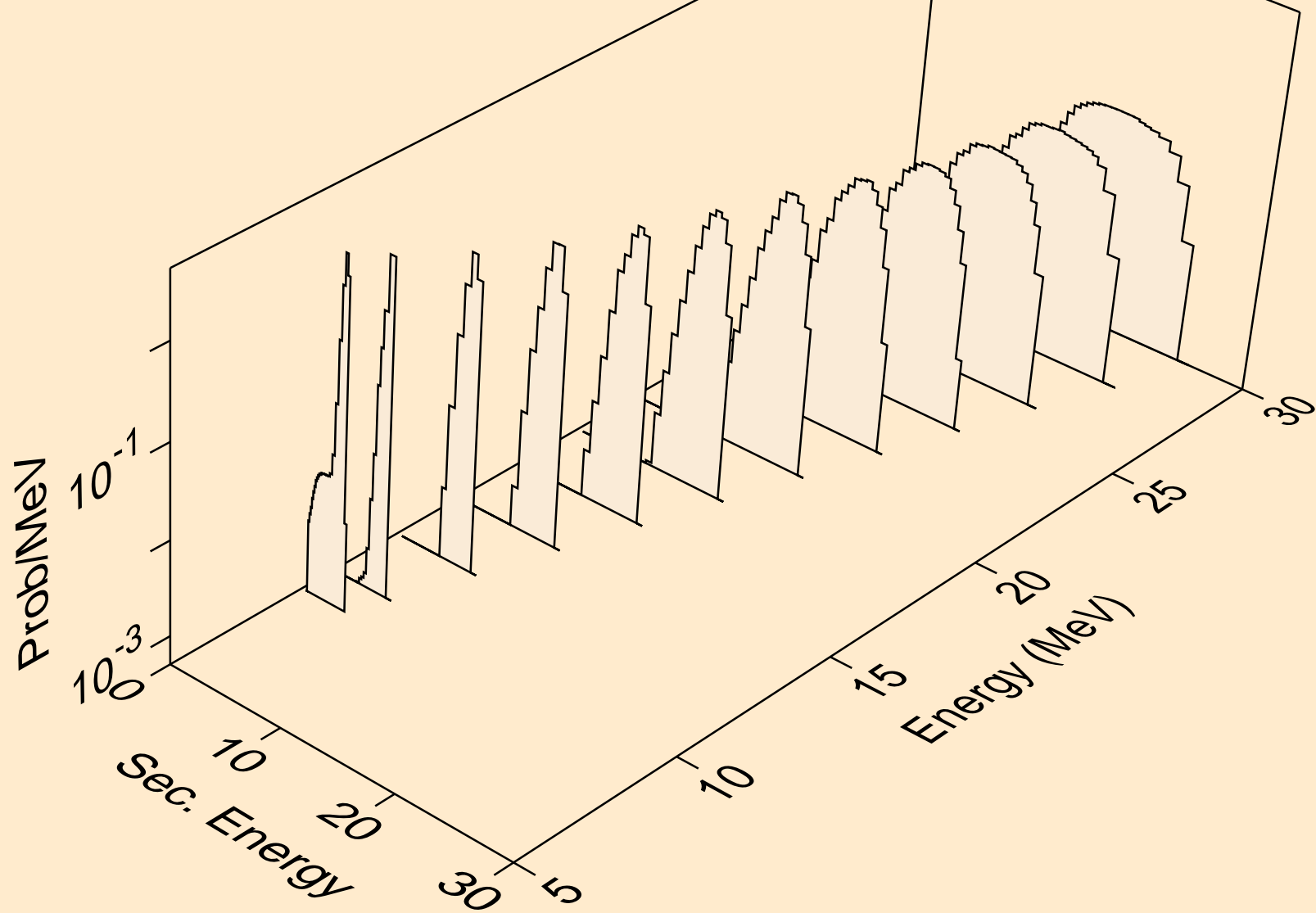
SG269 PROTON ACER TENDL-2021 LIBRARY; T=0.K
angular distribution for elastic



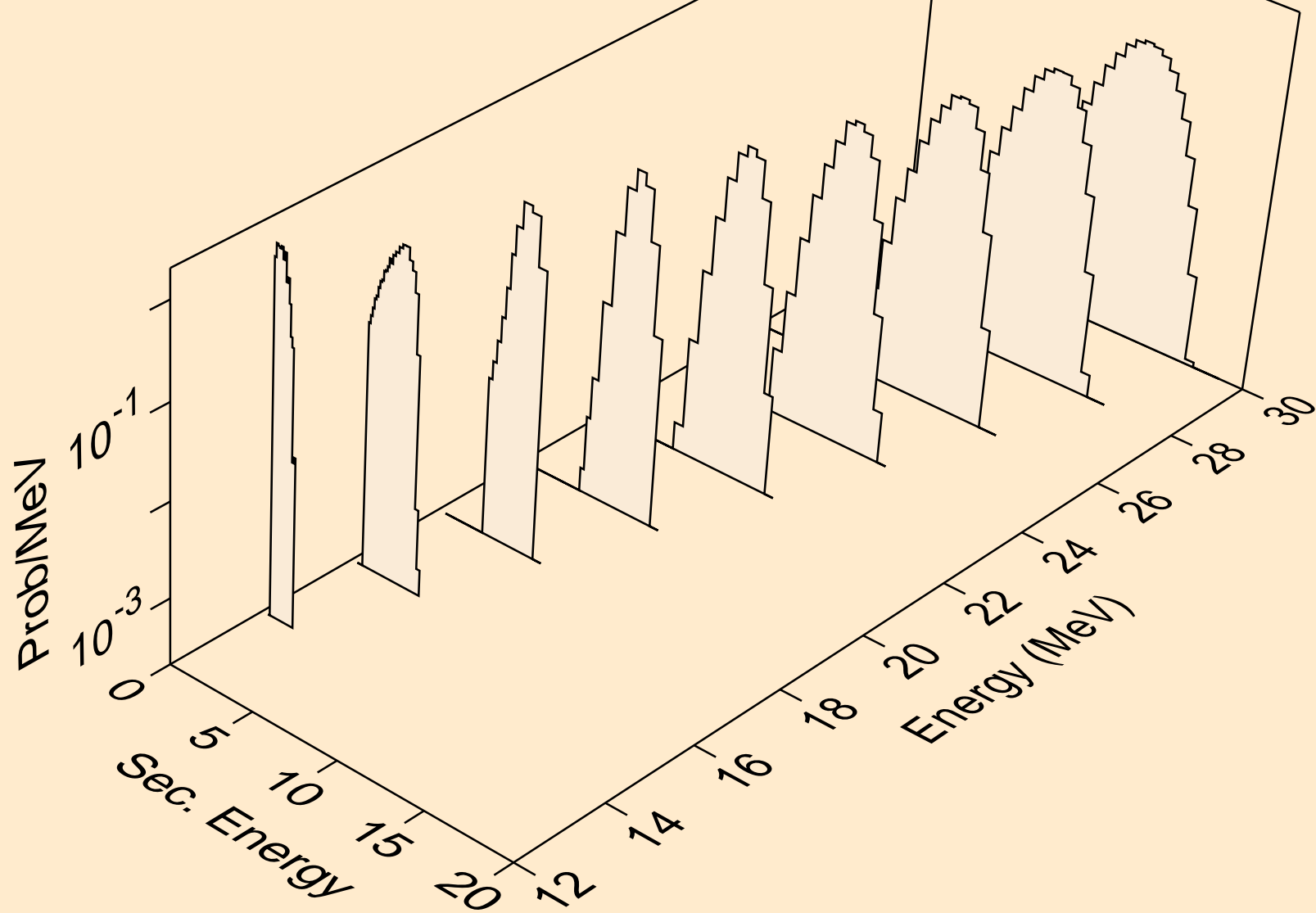
SG269 PROTON ACER TENDL-2021 LIBRARY; T=0.K
Proton emission for (p,x)



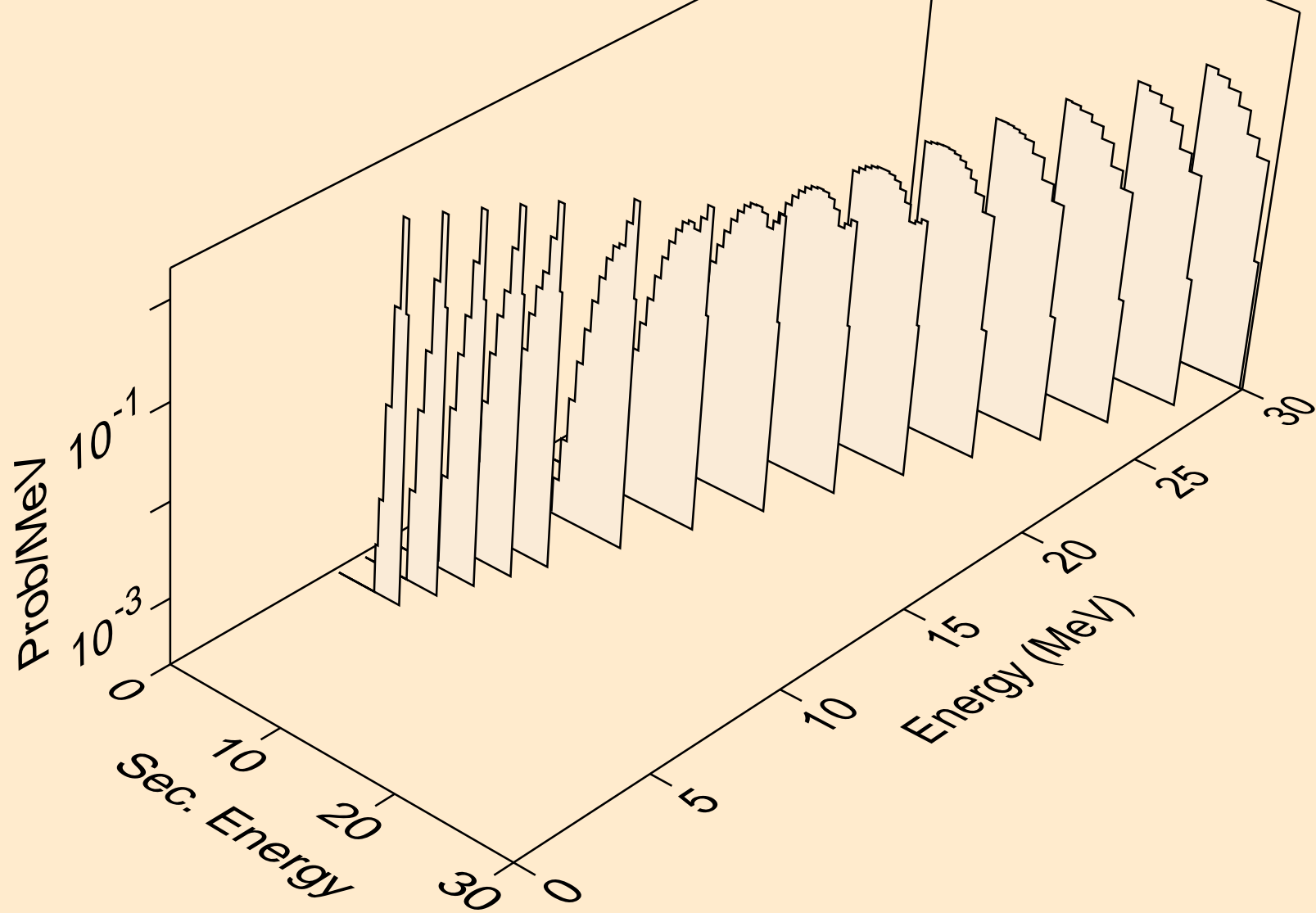
SG269 PROTON ACER TENDL-2021 LIBRARY; T=0.K
Proton emission for (p,n*)p



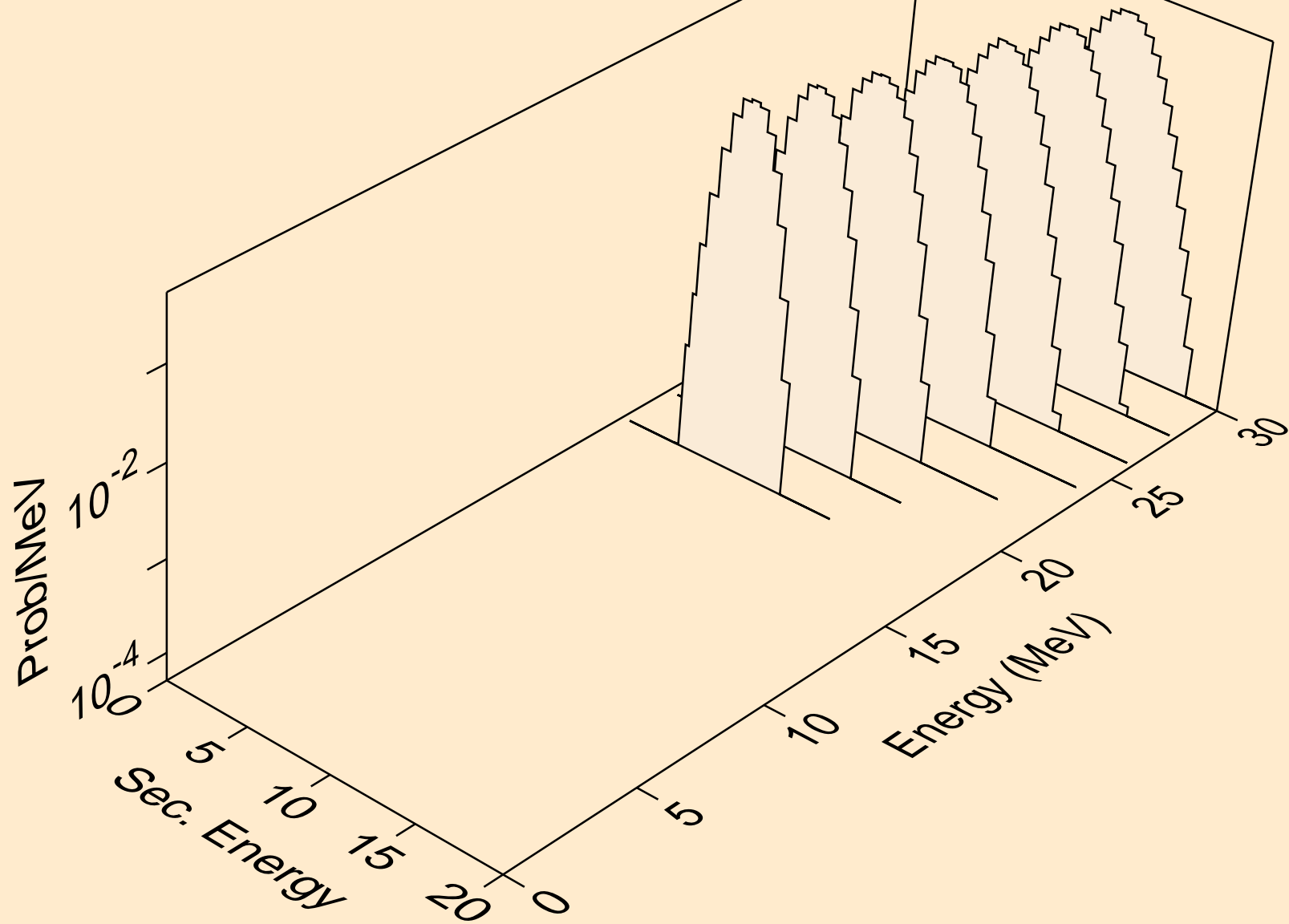
SG269 PROTON ACER TENDL-2021 LIBRARY; T=0.K
Proton emission for (p,2np)



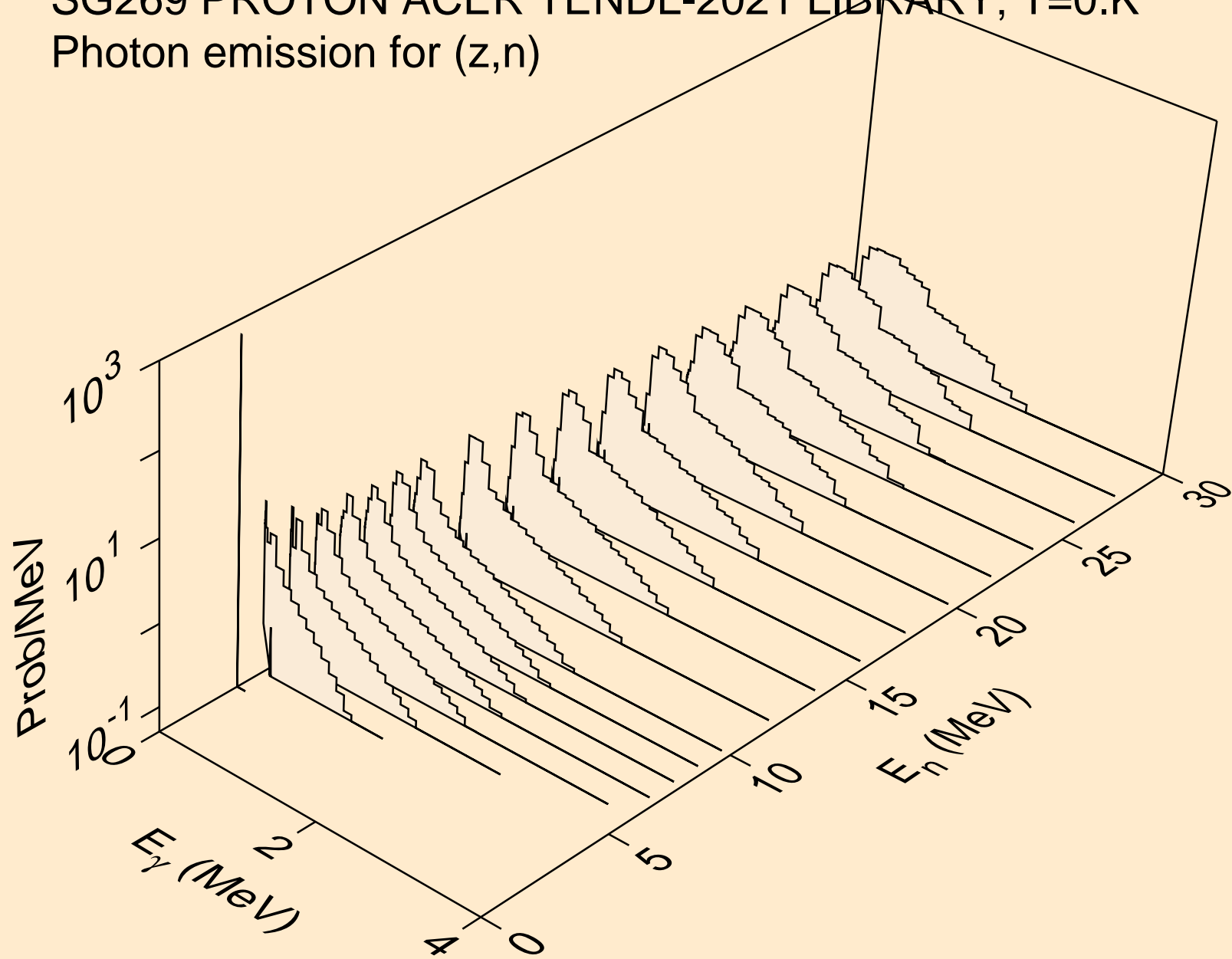
SG269 PROTON ACER TENDL-2021 LIBRARY; T=0.K
Proton emission for inelastic



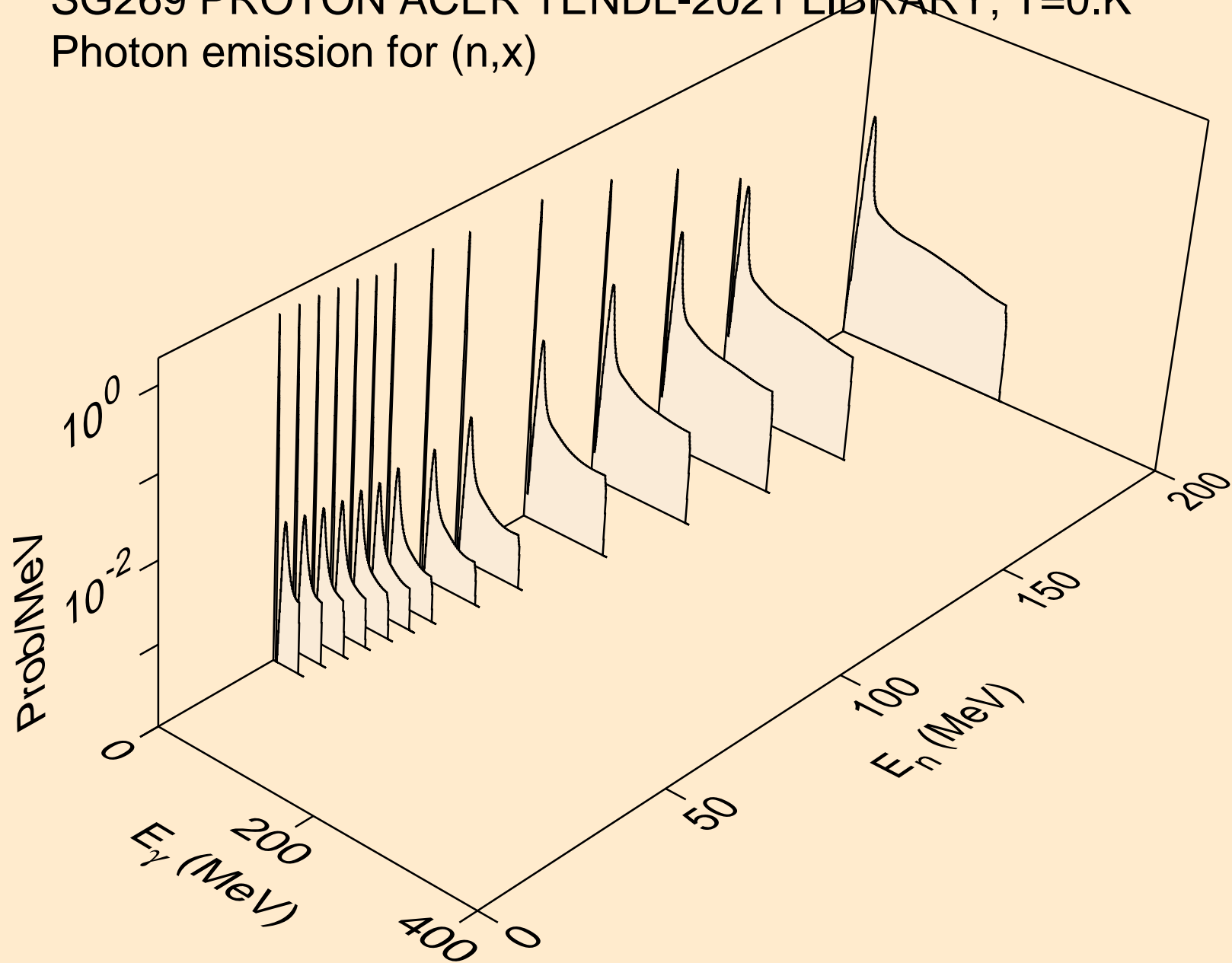
SG269 PROTON ACER TENDL-2021 LIBRARY; T=0.K
Proton emission for (p,2p)



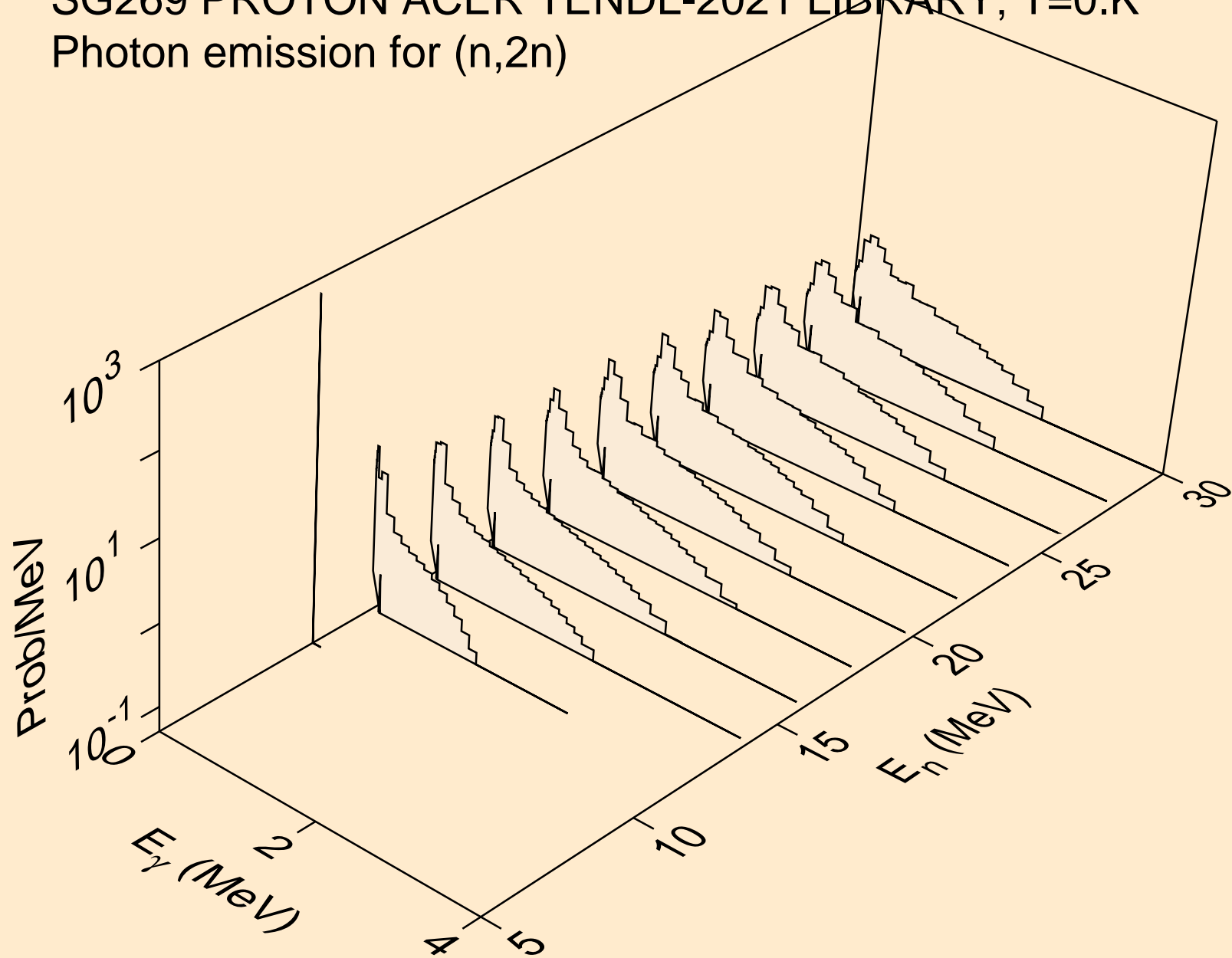
SG269 PROTON ACER TENDL-2021 LIBRARY; T=0.K
Photon emission for (z,n)



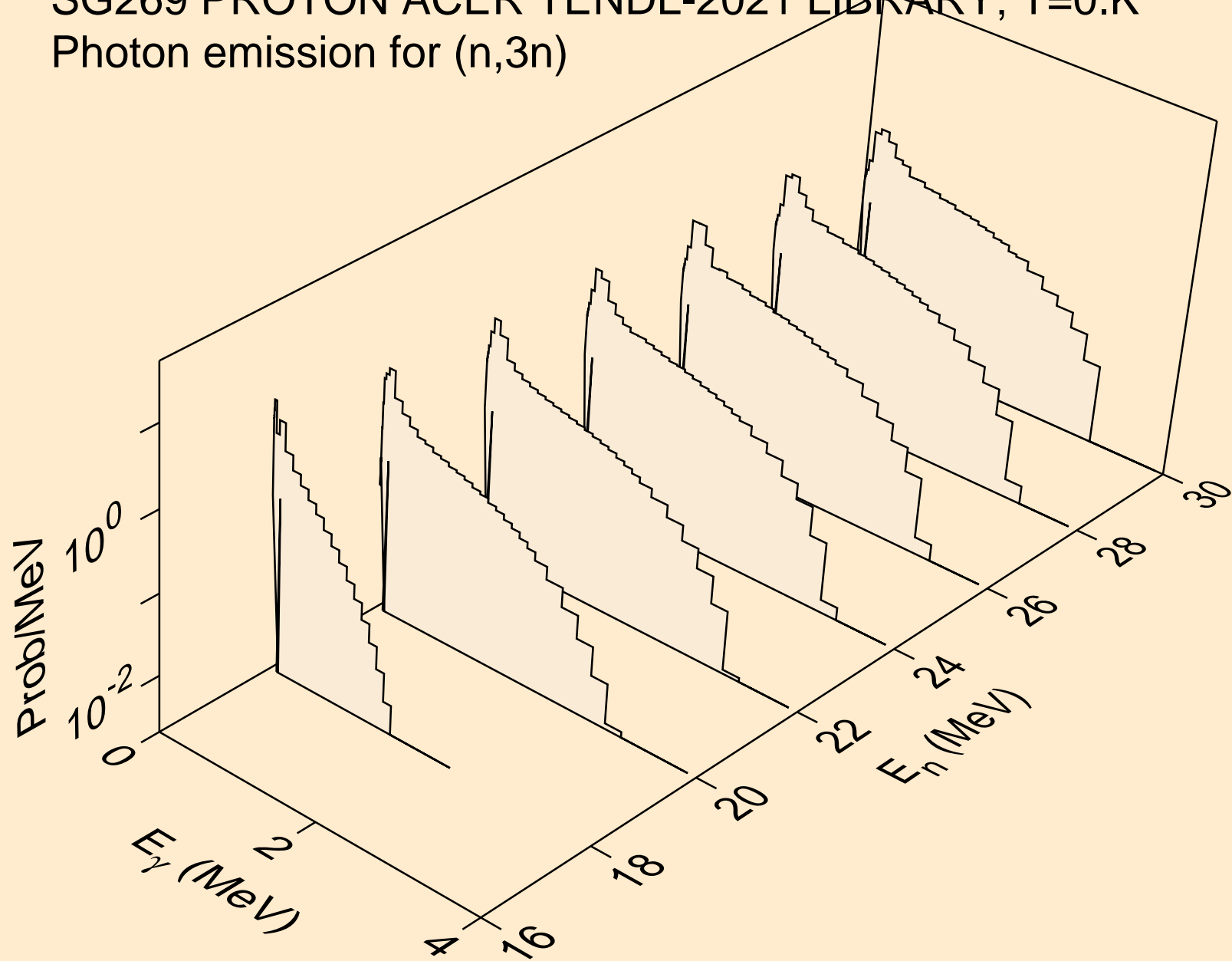
SG269 PROTON ACER TENDL-2021 LIBRARY; T=0.K
Photon emission for (n,x)



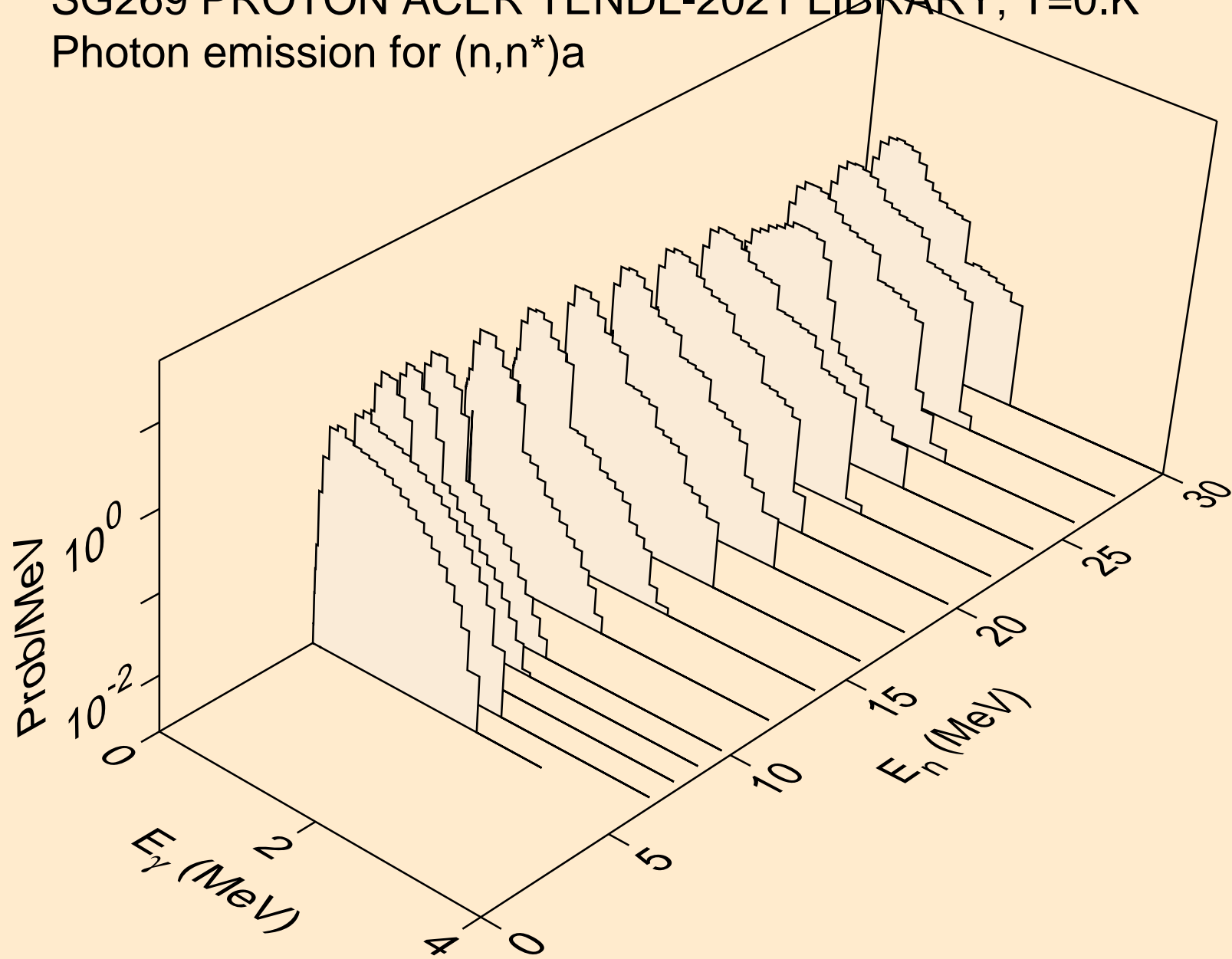
SG269 PROTON ACER TENDL-2021 LIBRARY; T=0.K
Photon emission for (n,2n)



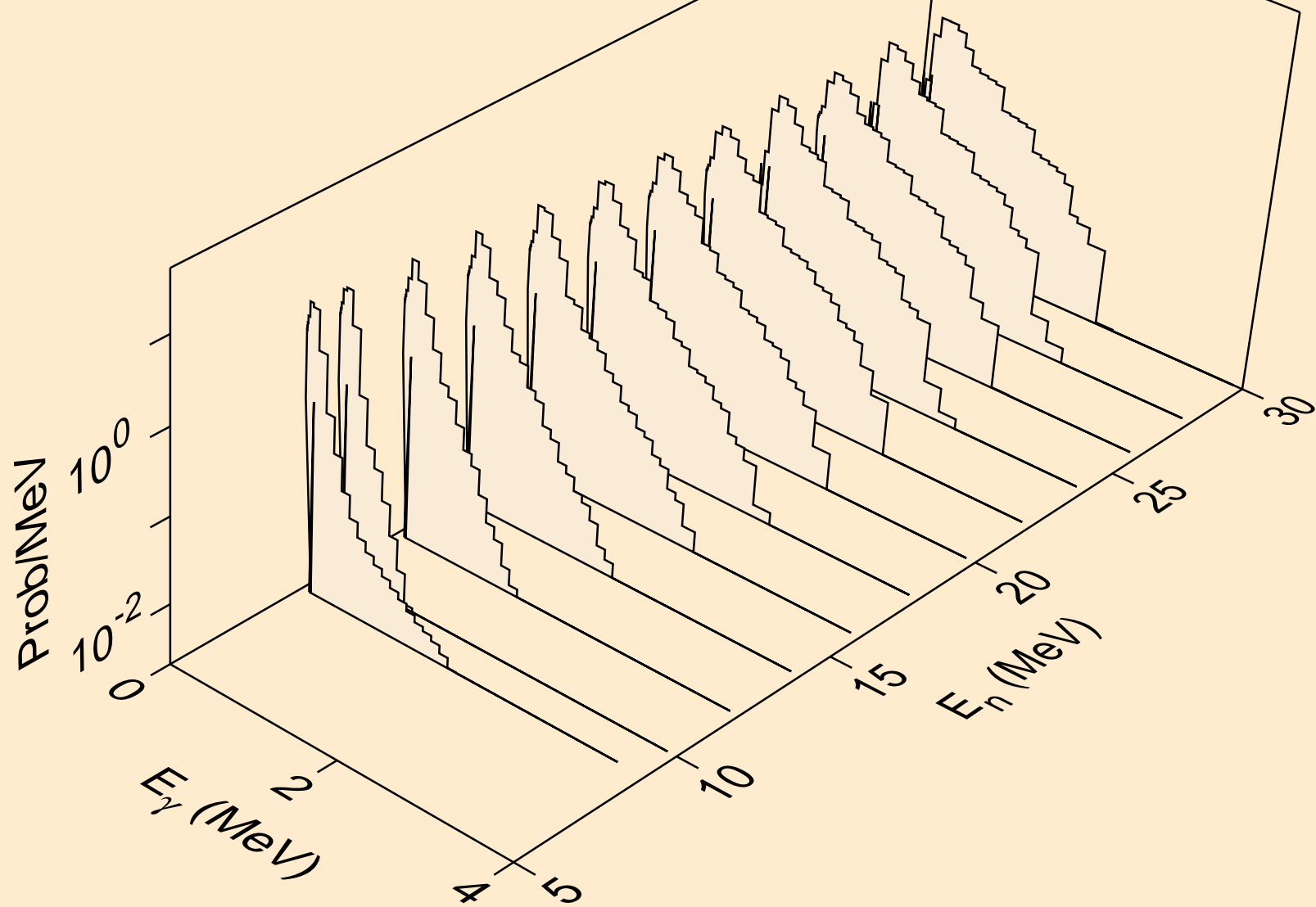
SG269 PROTON ACER TENDL-2021 LIBRARY; T=0.K
Photon emission for (n,3n)



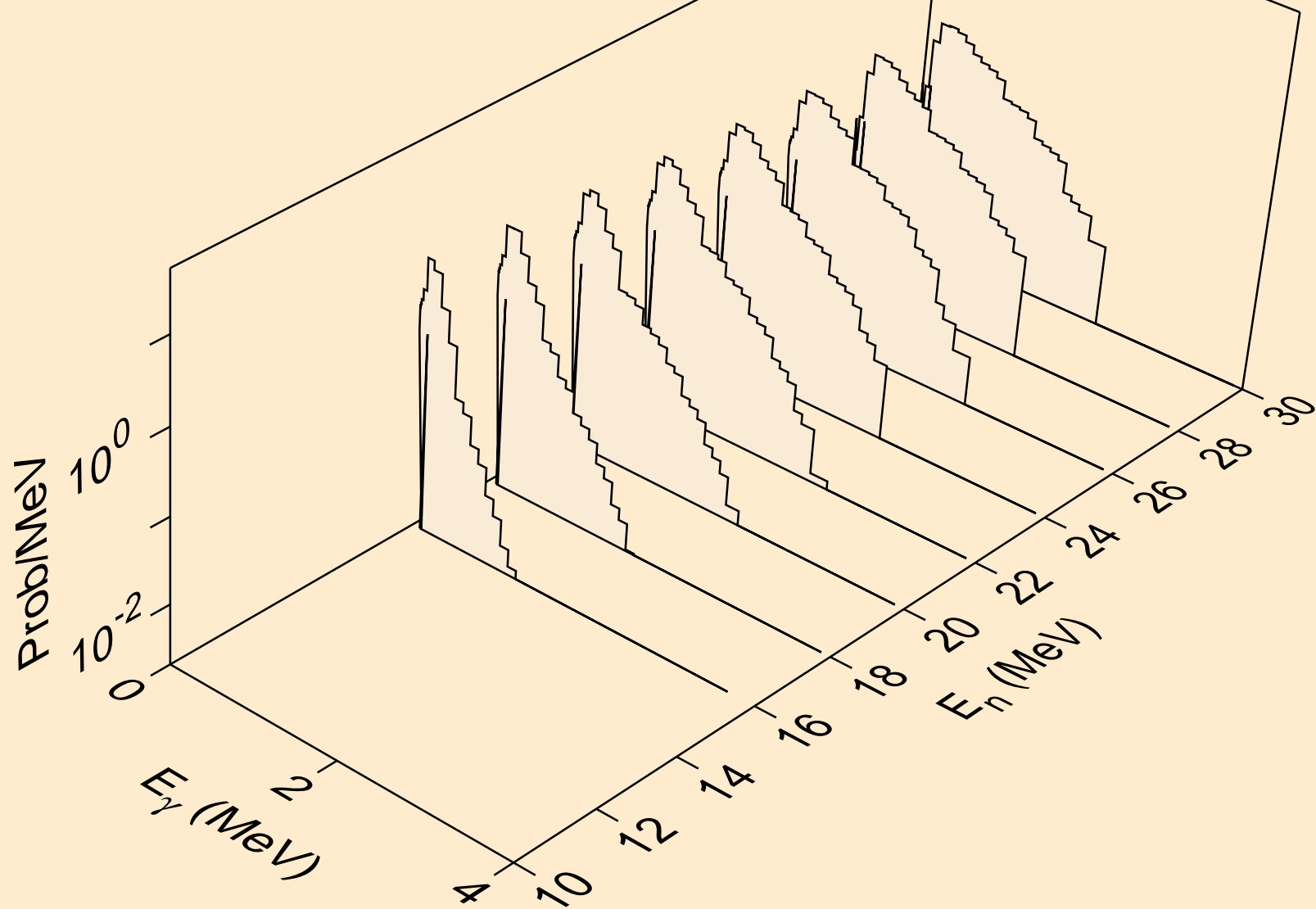
SG269 PROTON ACER TENDL-2021 LIBRARY; T=0.K
Photon emission for (n,n*)a



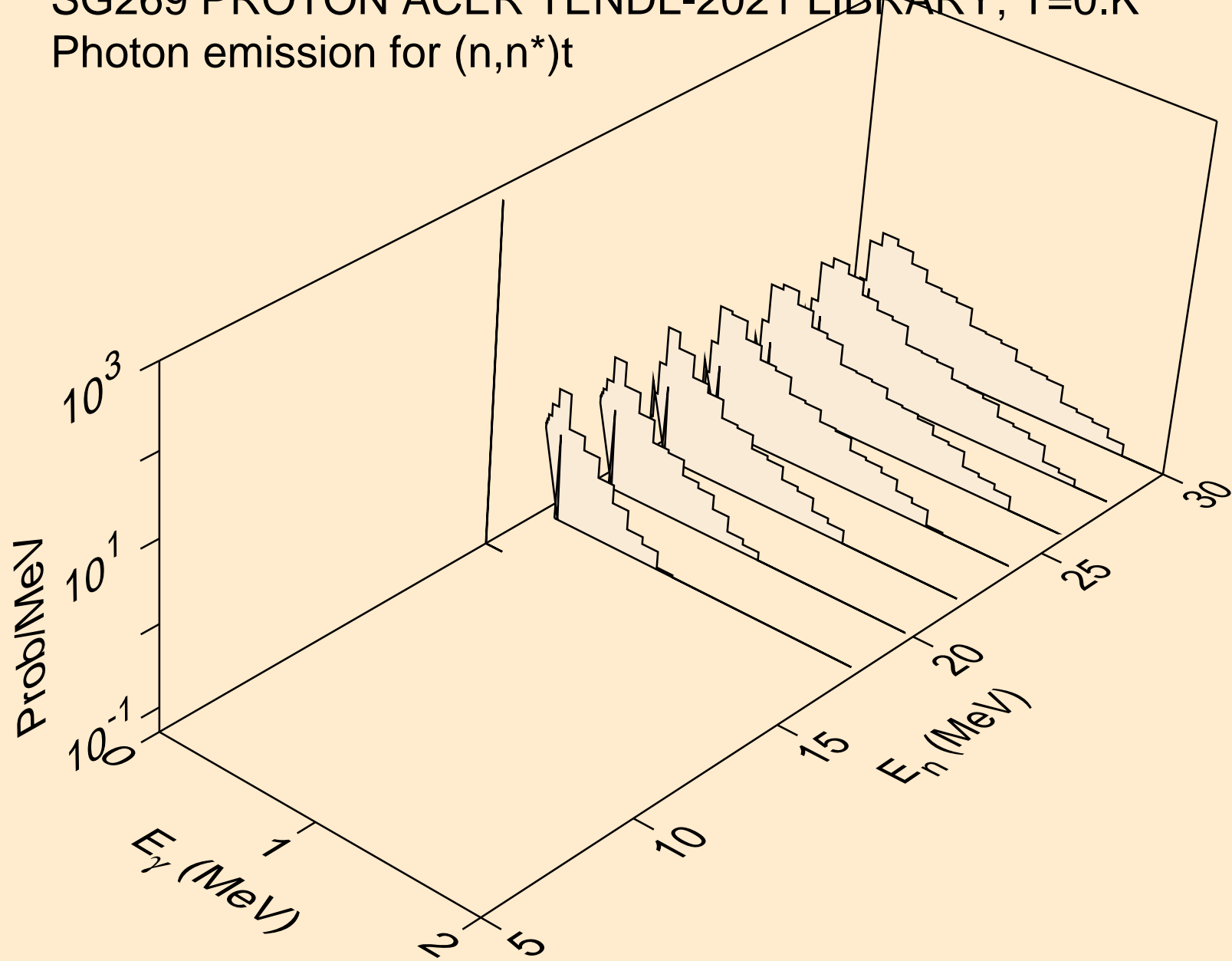
SG269 PROTON ACER TENDL-2021 LIBRARY; T=0.K
Photon emission for (n,n*)p



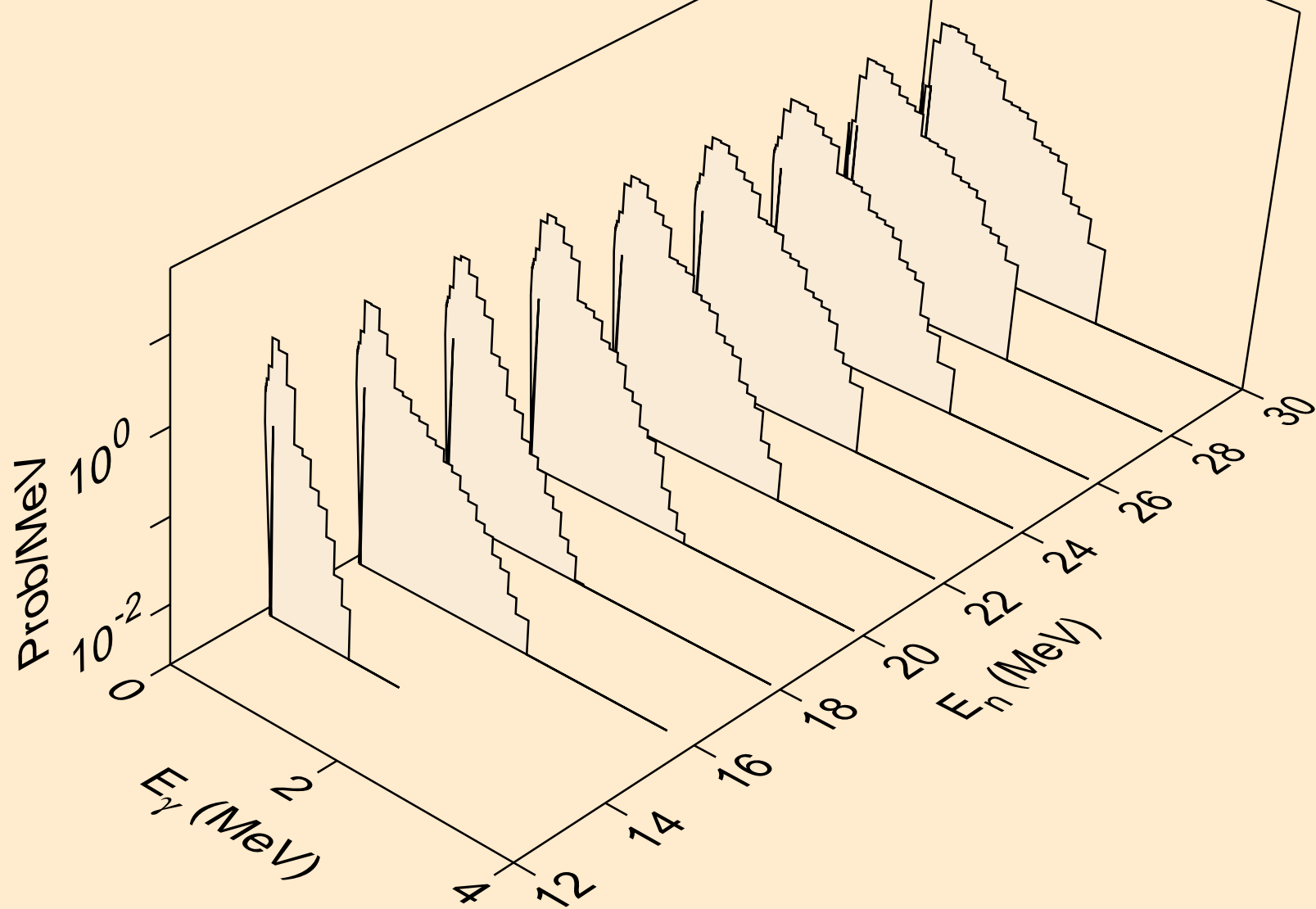
SG269 PROTON ACER TENDL-2021 LIBRARY; T=0.K
Photon emission for (n,n*)d



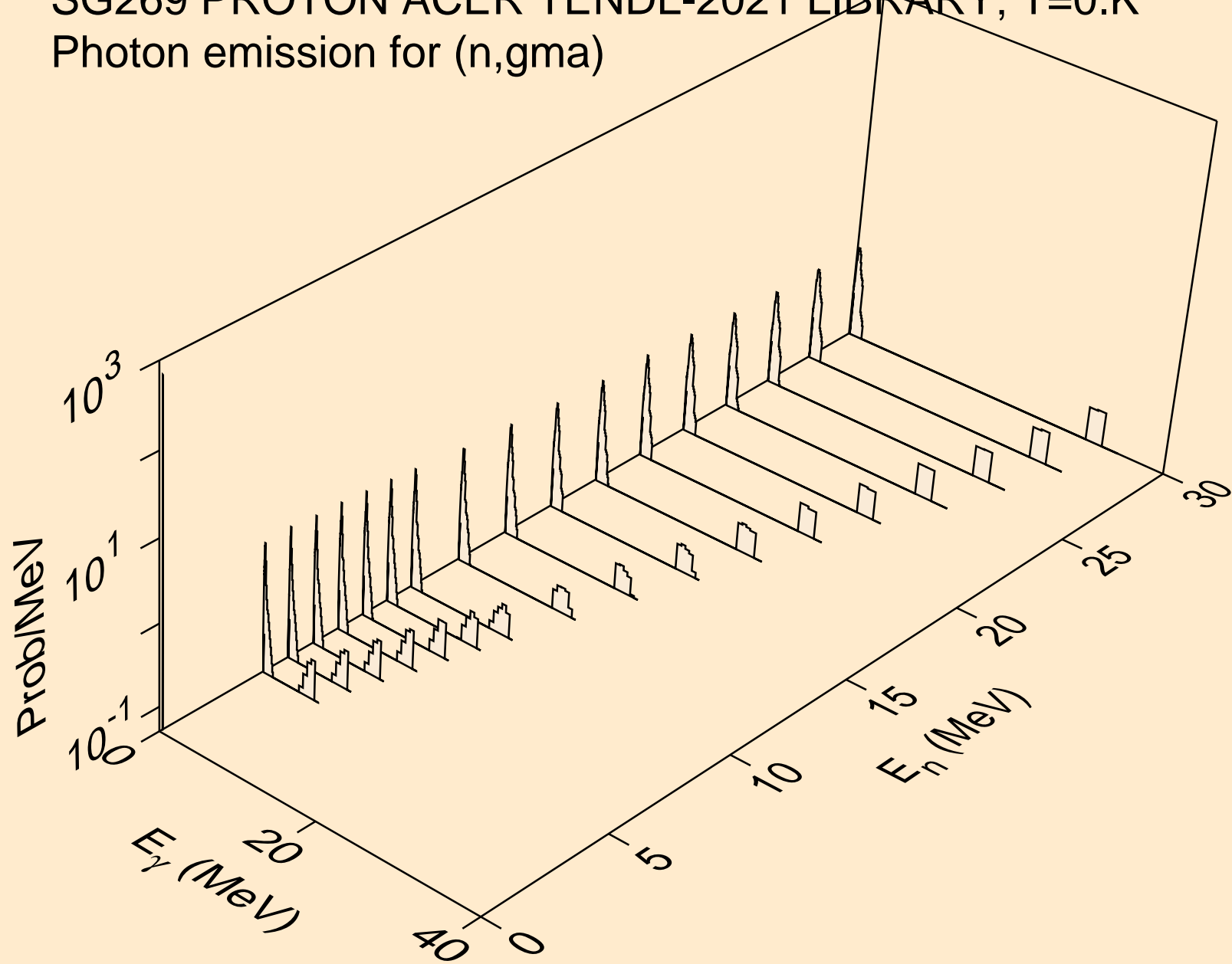
SG269 PROTON ACER TENDL-2021 LIBRARY; T=0.K
Photon emission for (n,n*)t



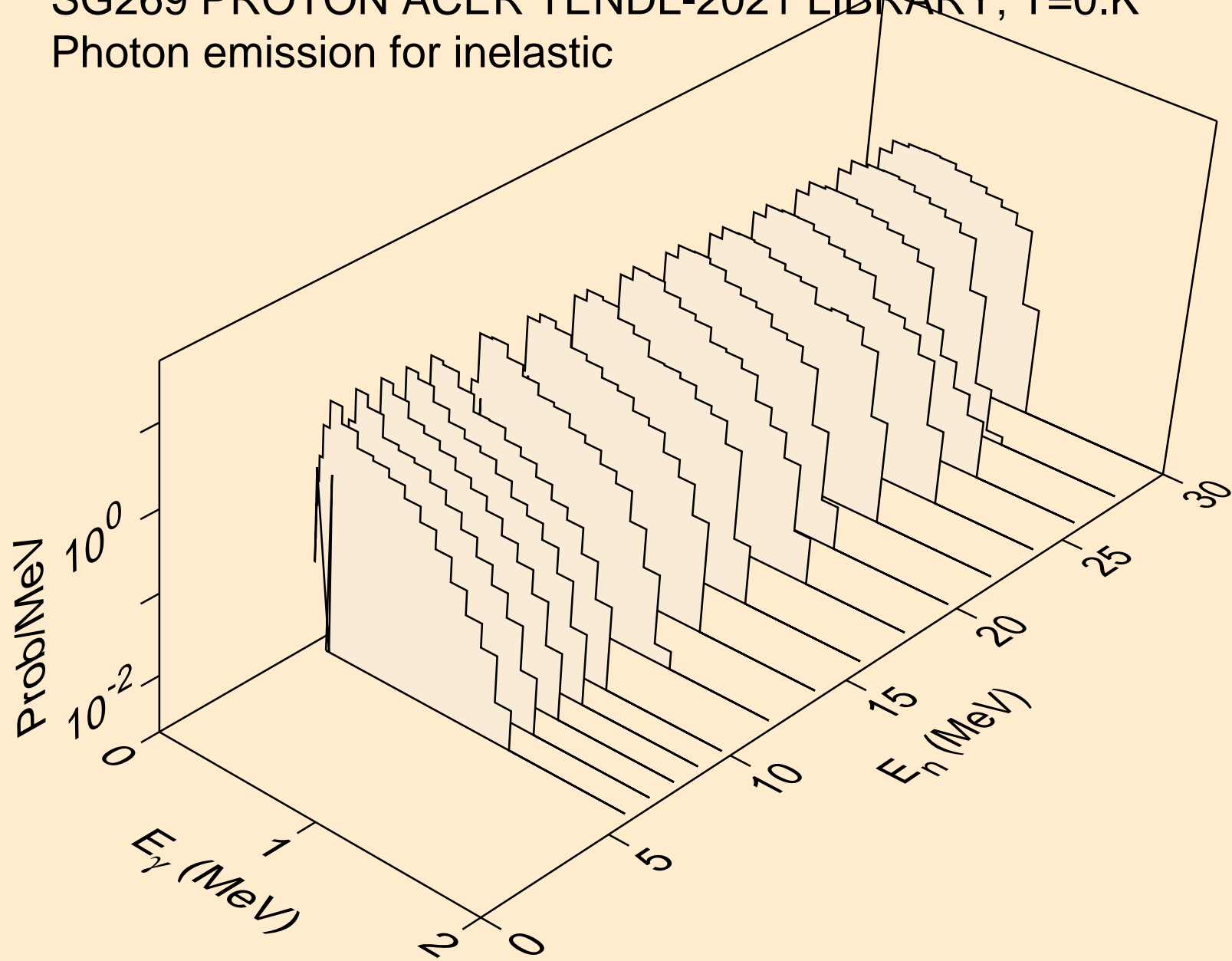
SG269 PROTON ACER TENDL-2021 LIBRARY; T=0.K
Photon emission for (n,2np)



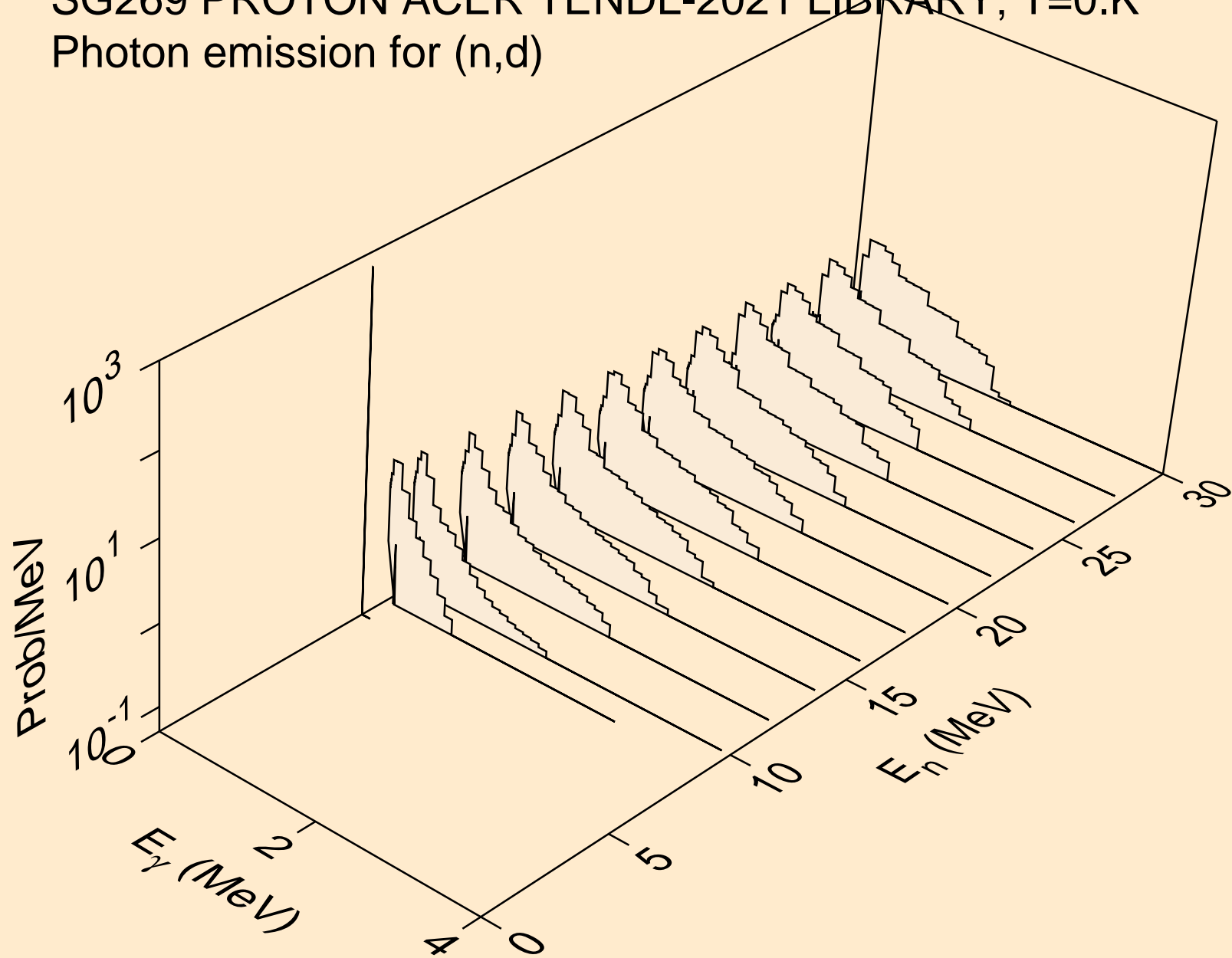
SG269 PROTON ACER TENDL-2021 LIBRARY; T=0.K
Photon emission for (n,gma)



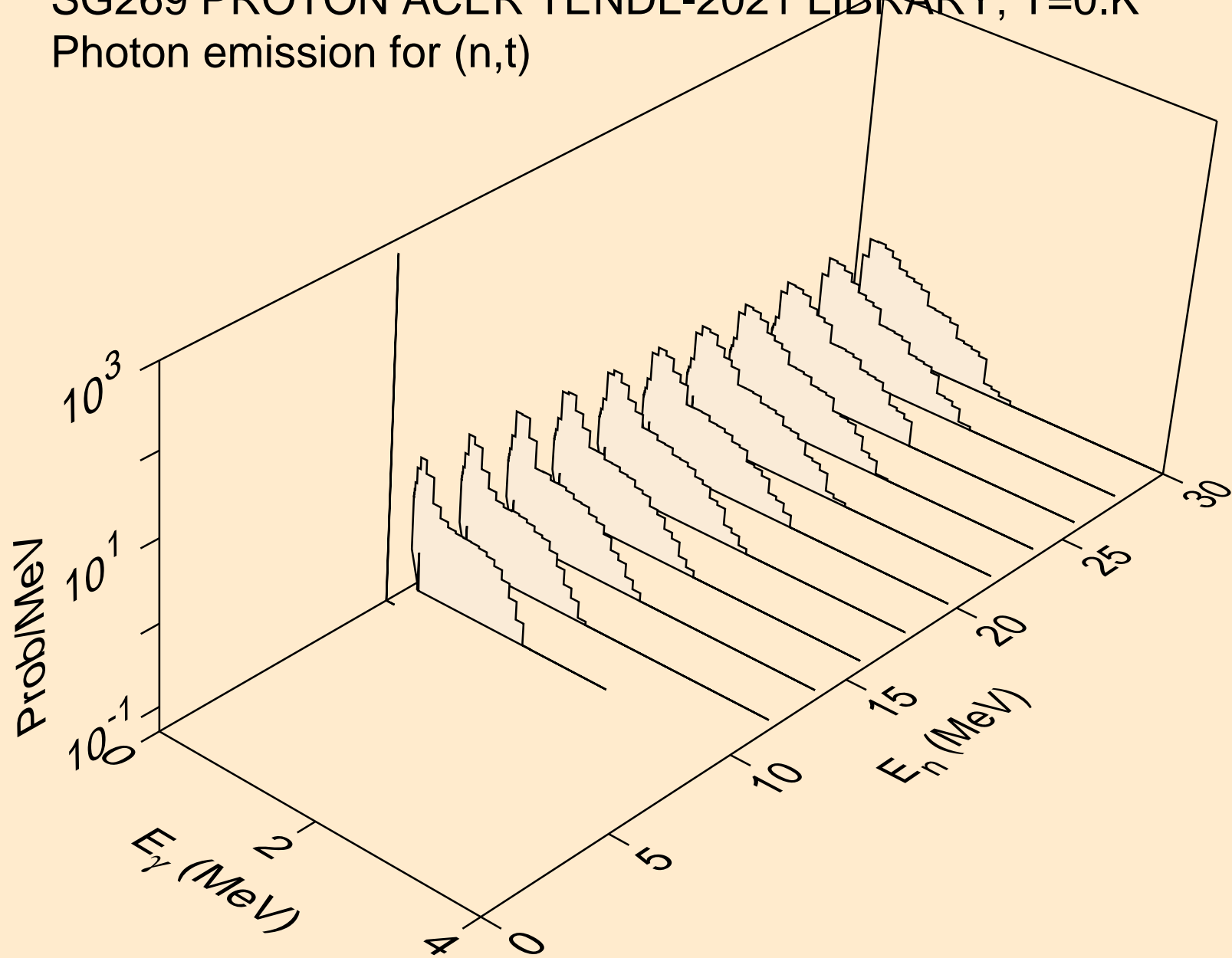
SG269 PROTON ACER TENDL-2021 LIBRARY; T=0.K
Photon emission for inelastic



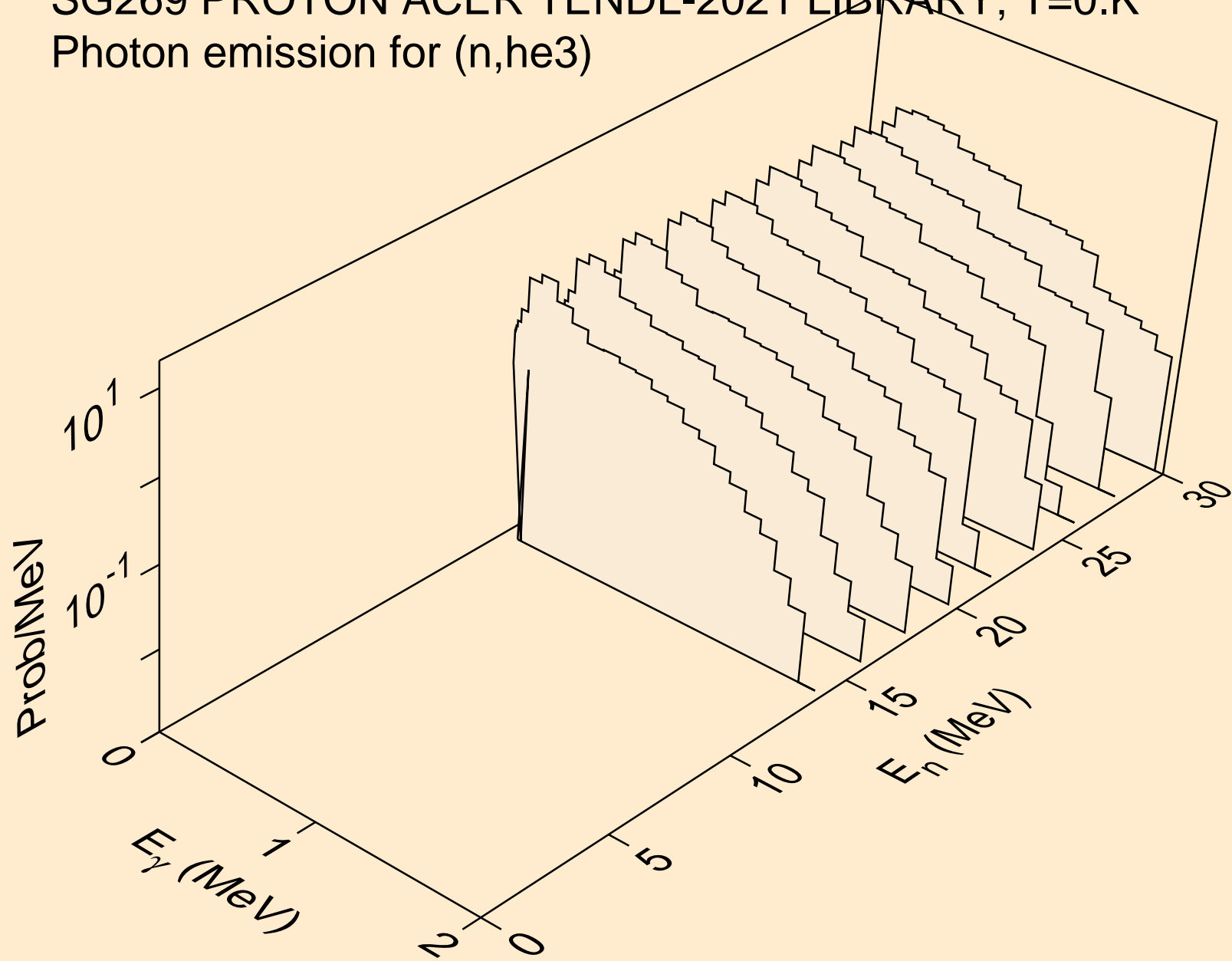
SG269 PROTON ACER TENDL-2021 LIBRARY; T=0.K
Photon emission for (n,d)



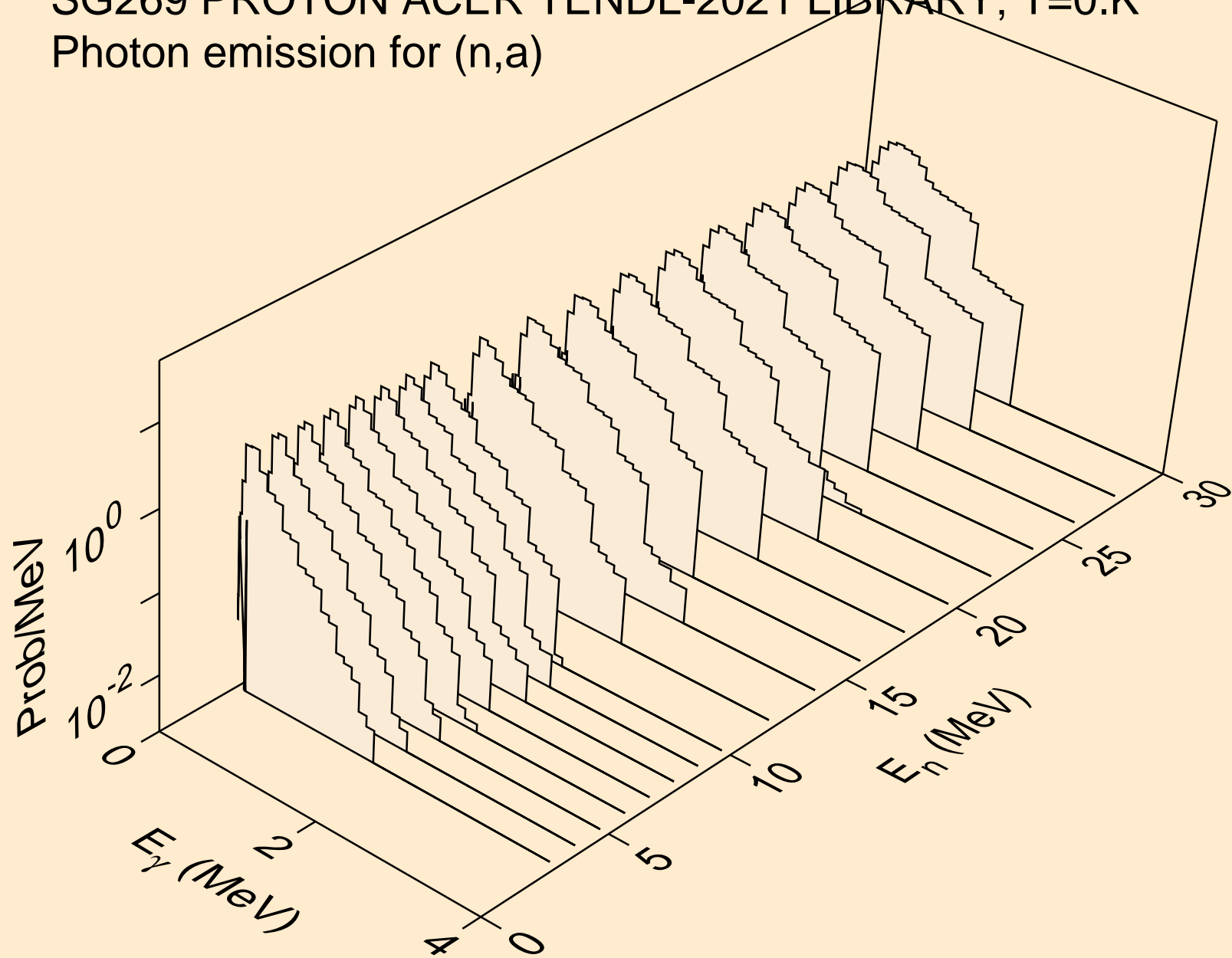
SG269 PROTON ACER TENDL-2021 LIBRARY; T=0.K
Photon emission for (n,t)



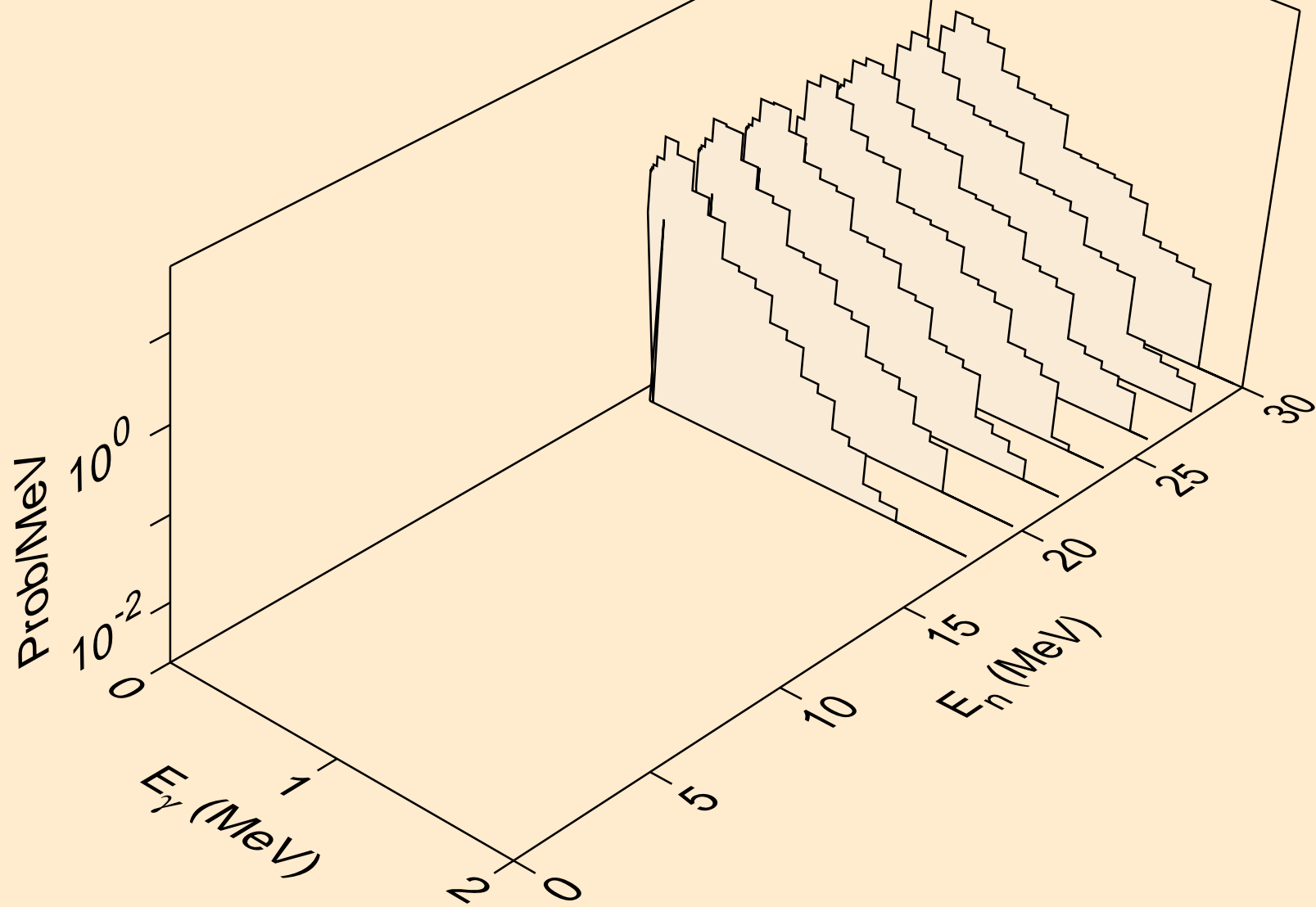
SG269 PROTON ACER TENDL-2021 LIBRARY; T=0.K
Photon emission for (n,he3)



SG269 PROTON ACER TENDL-2021 LIBRARY; T=0.K
Photon emission for (n,a)

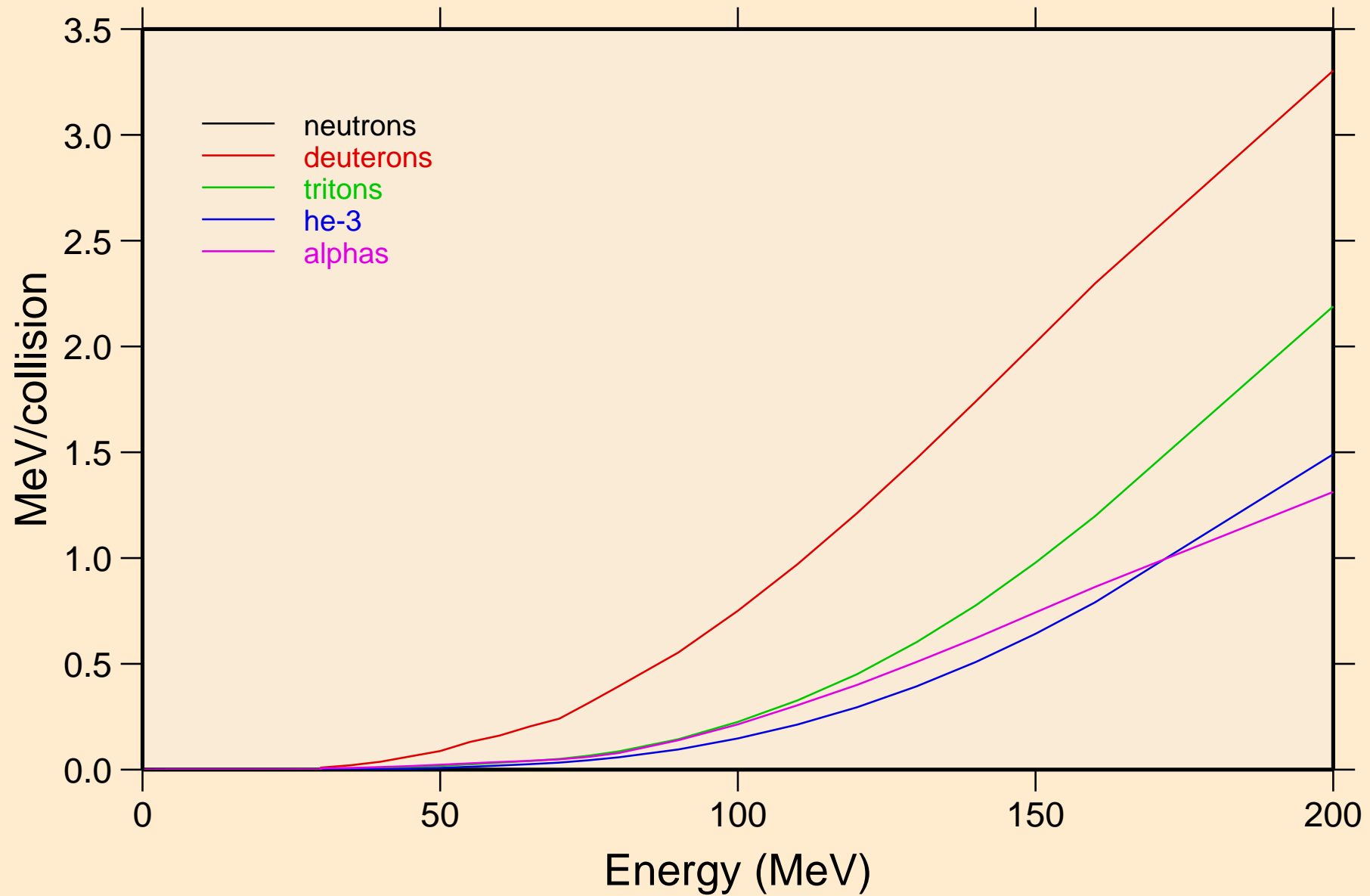


SG269 PROTON ACER TENDL-2021 LIBRARY; T=0.K
Photon emission for (n,2p)



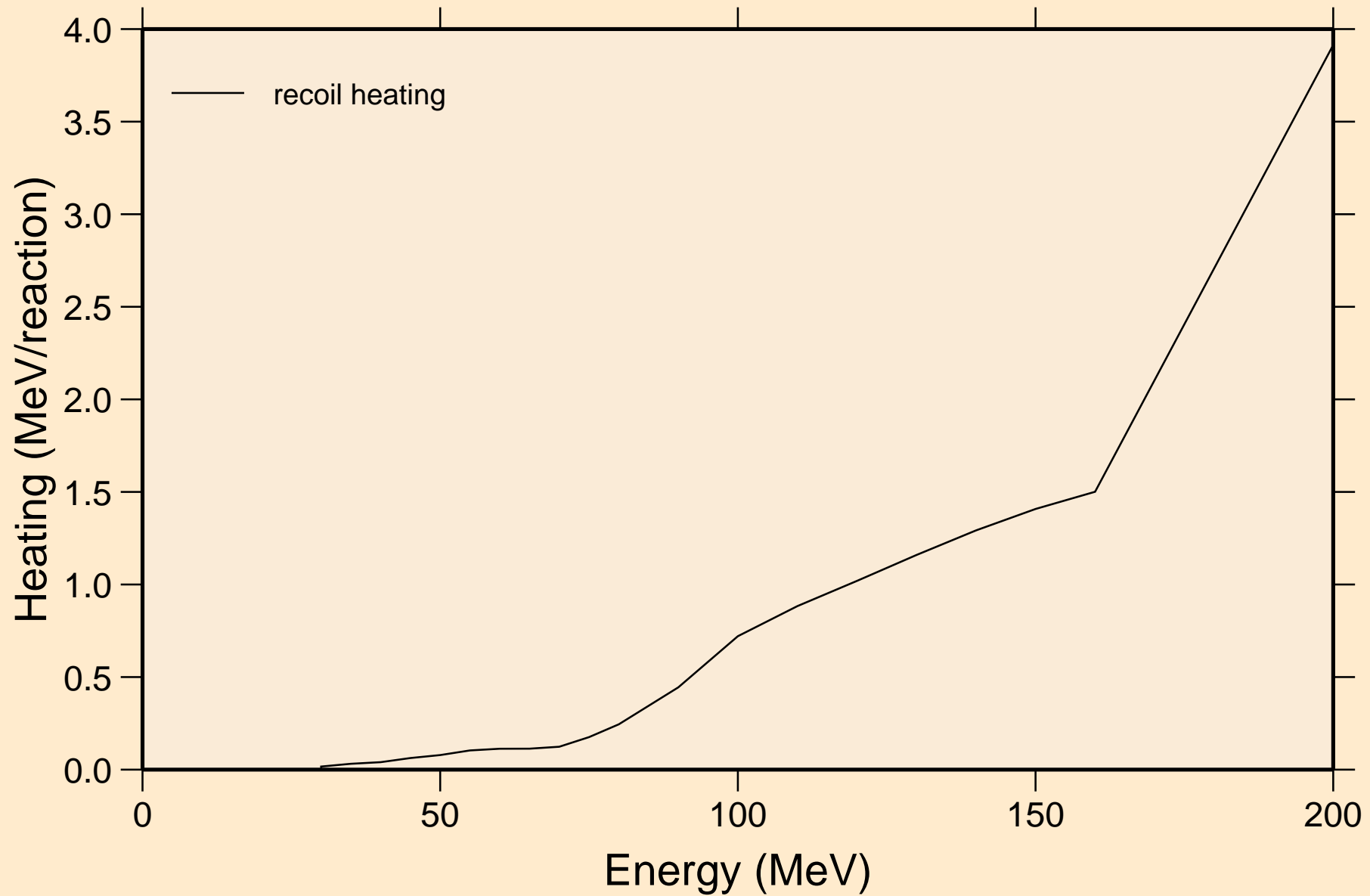
SG269 PROTON ACER TENDL-2021 LIBRARY; T=0.K

Particle heating contributions



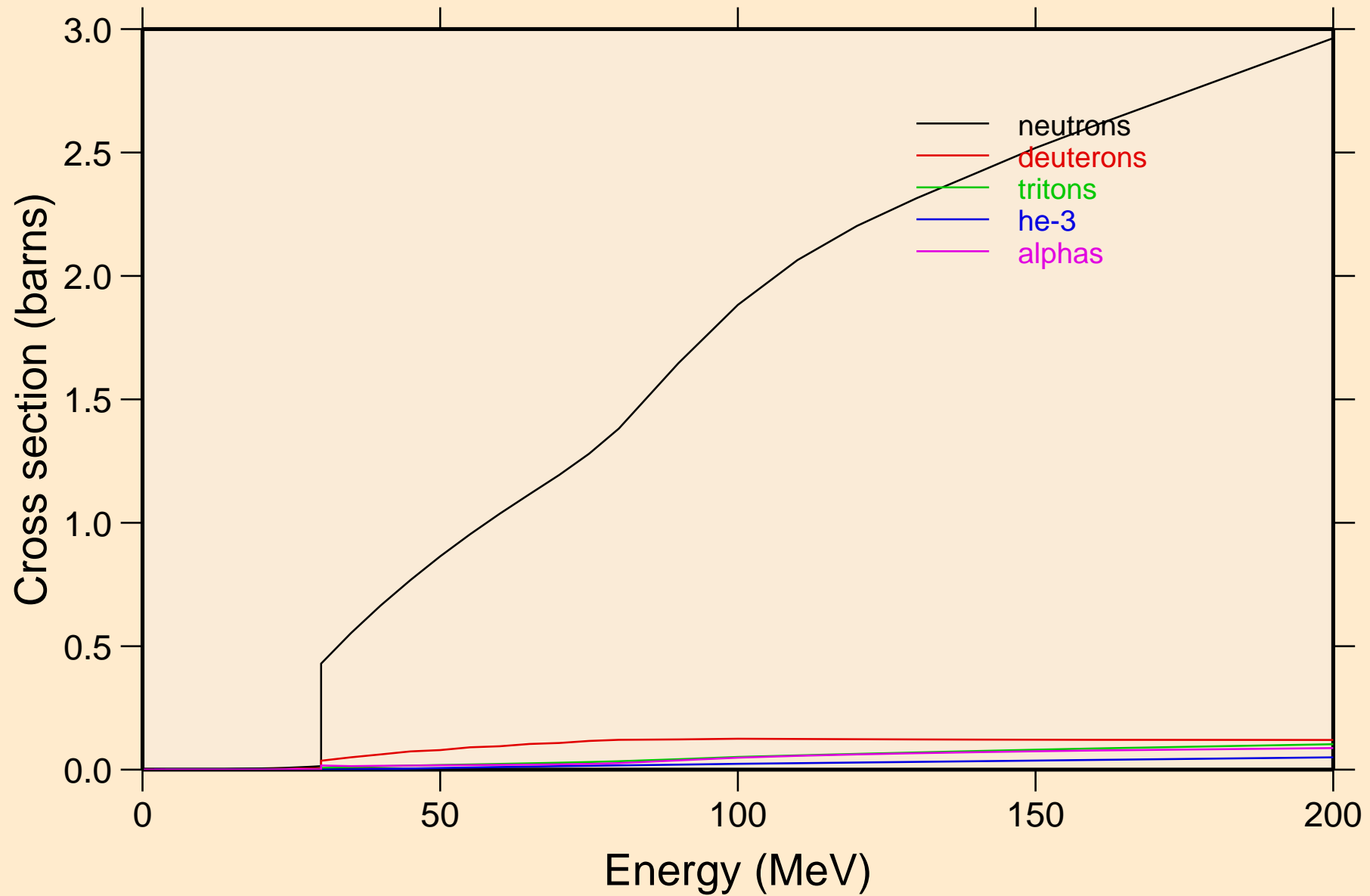
SG269 PROTON ACER TENDL-2021 LIBRARY; T=0.K

Recoil Heating

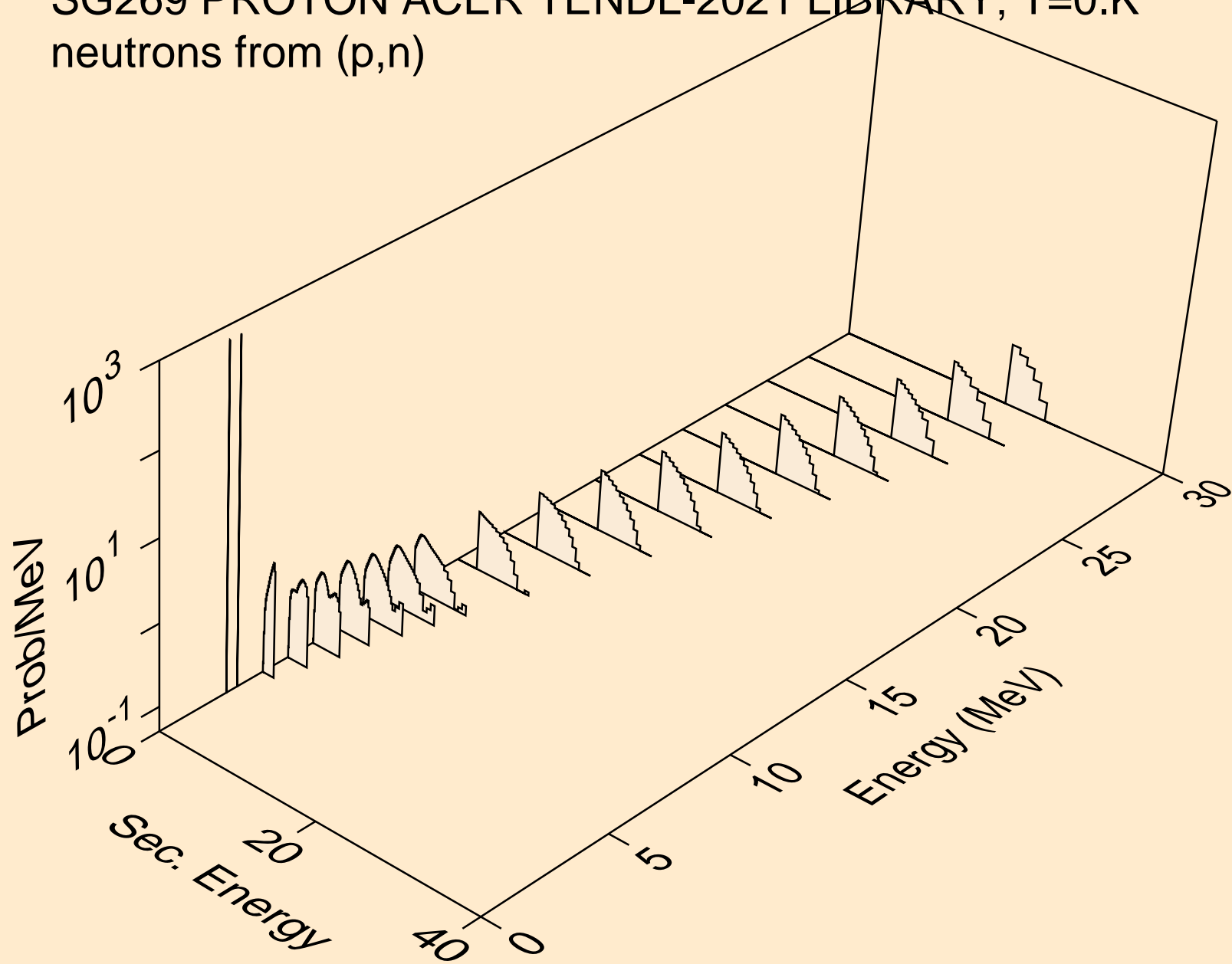


SG269 PROTON ACER TENDL-2021 LIBRARY; T=0.K

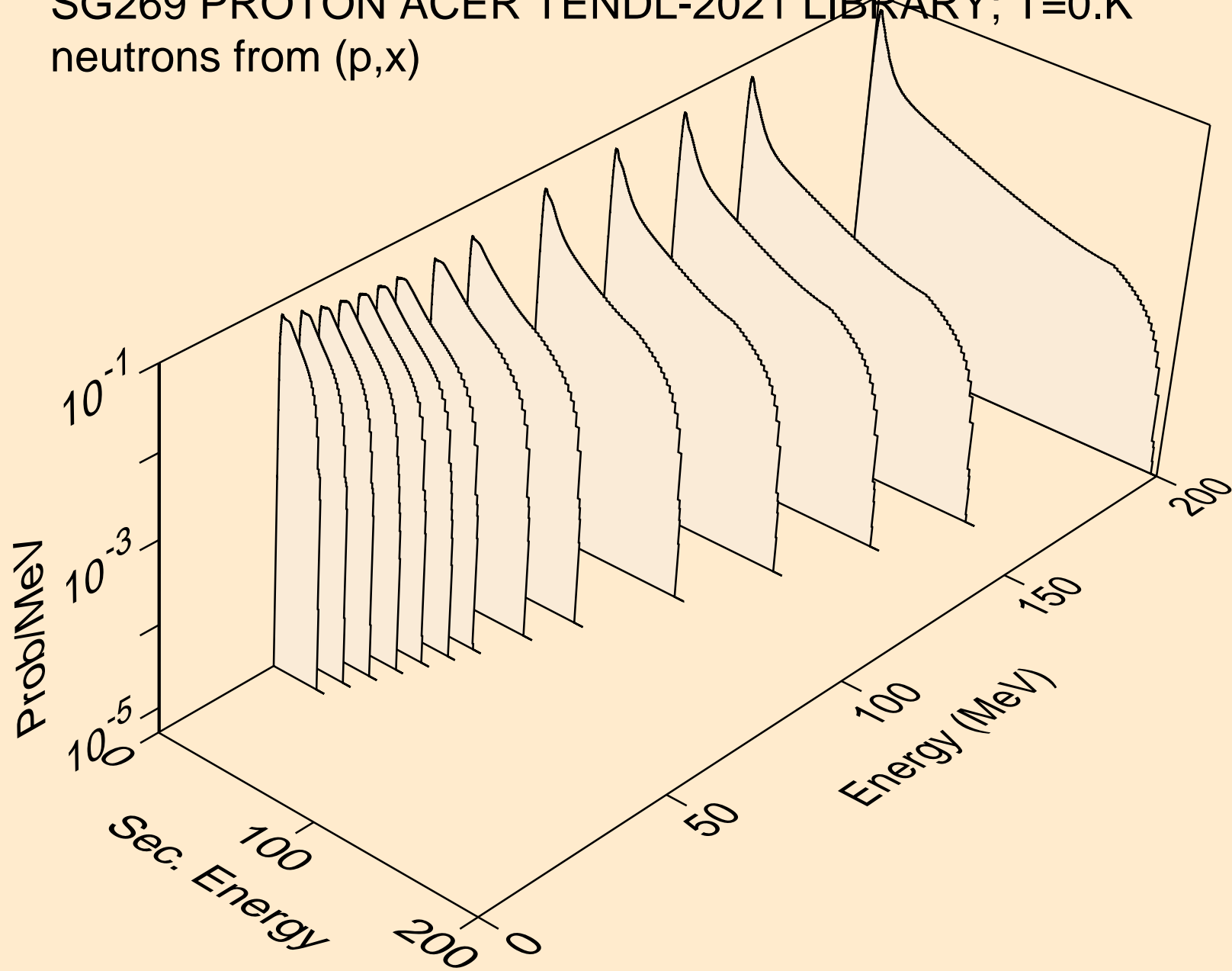
Particle production cross sections



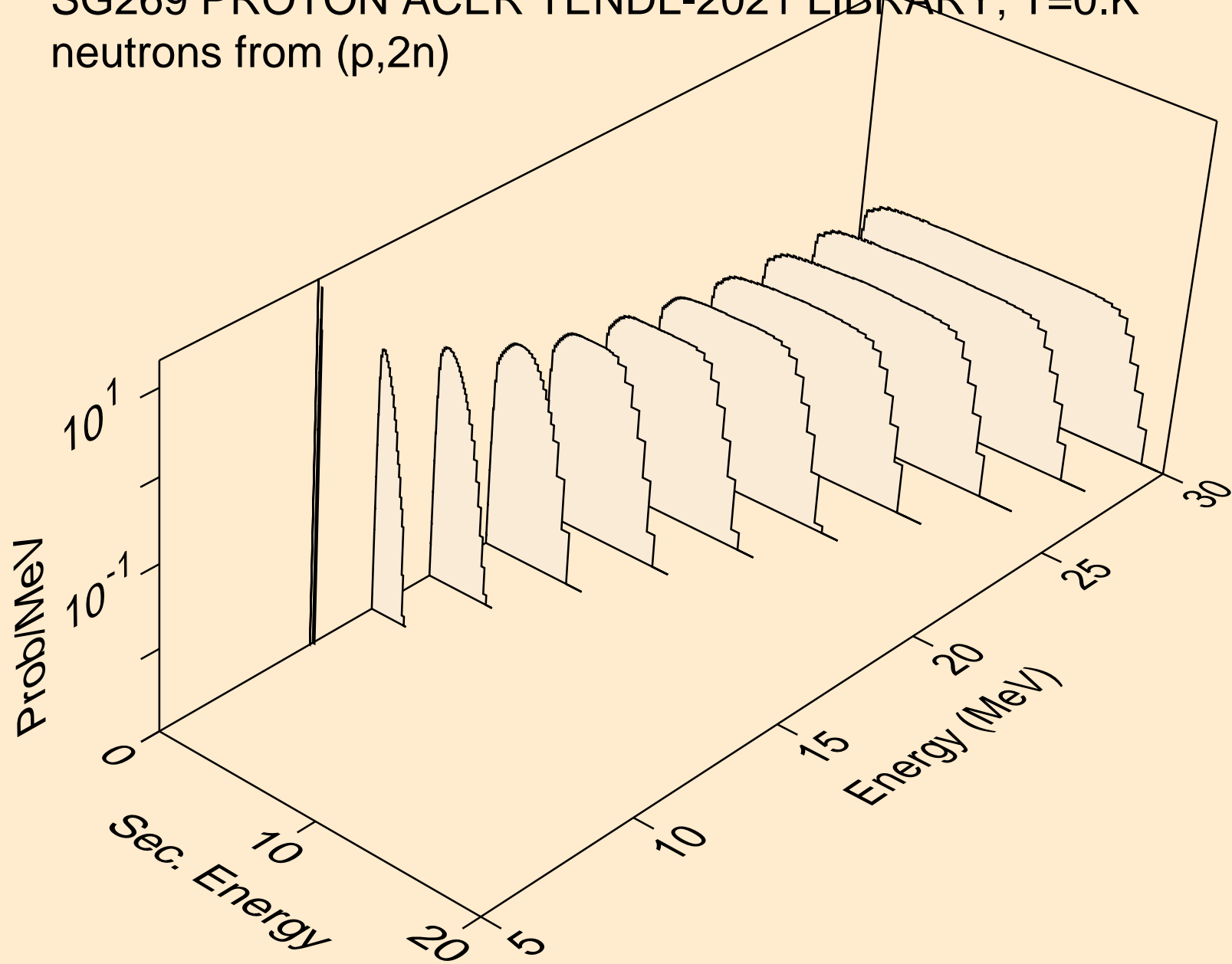
SG269 PROTON ACER TENDL-2021 LIBRARY; T=0.K
neutrons from (p,n)



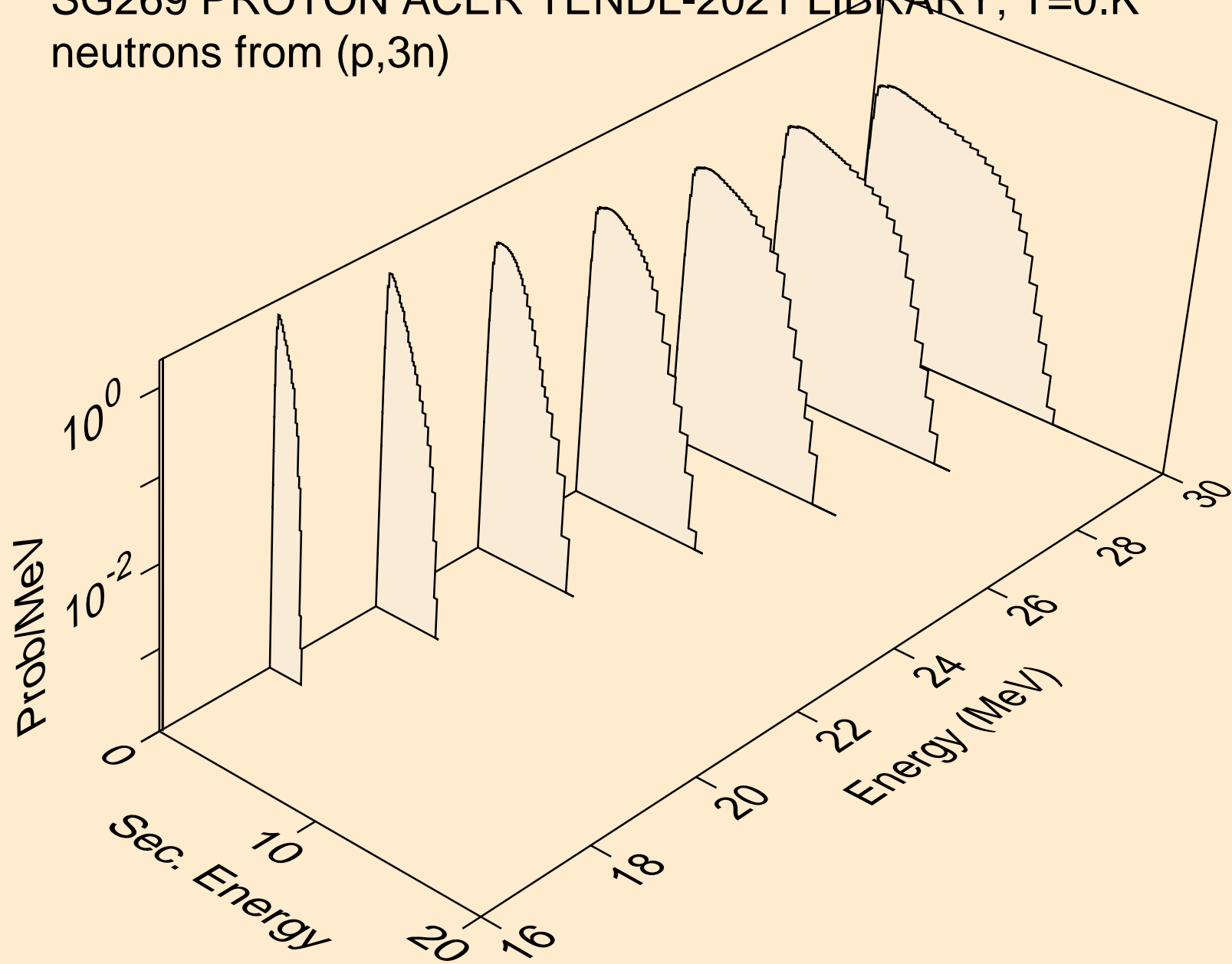
SG269 PROTON ACER TENDL-2021 LIBRARY; T=0.K
neutrons from (p,x)



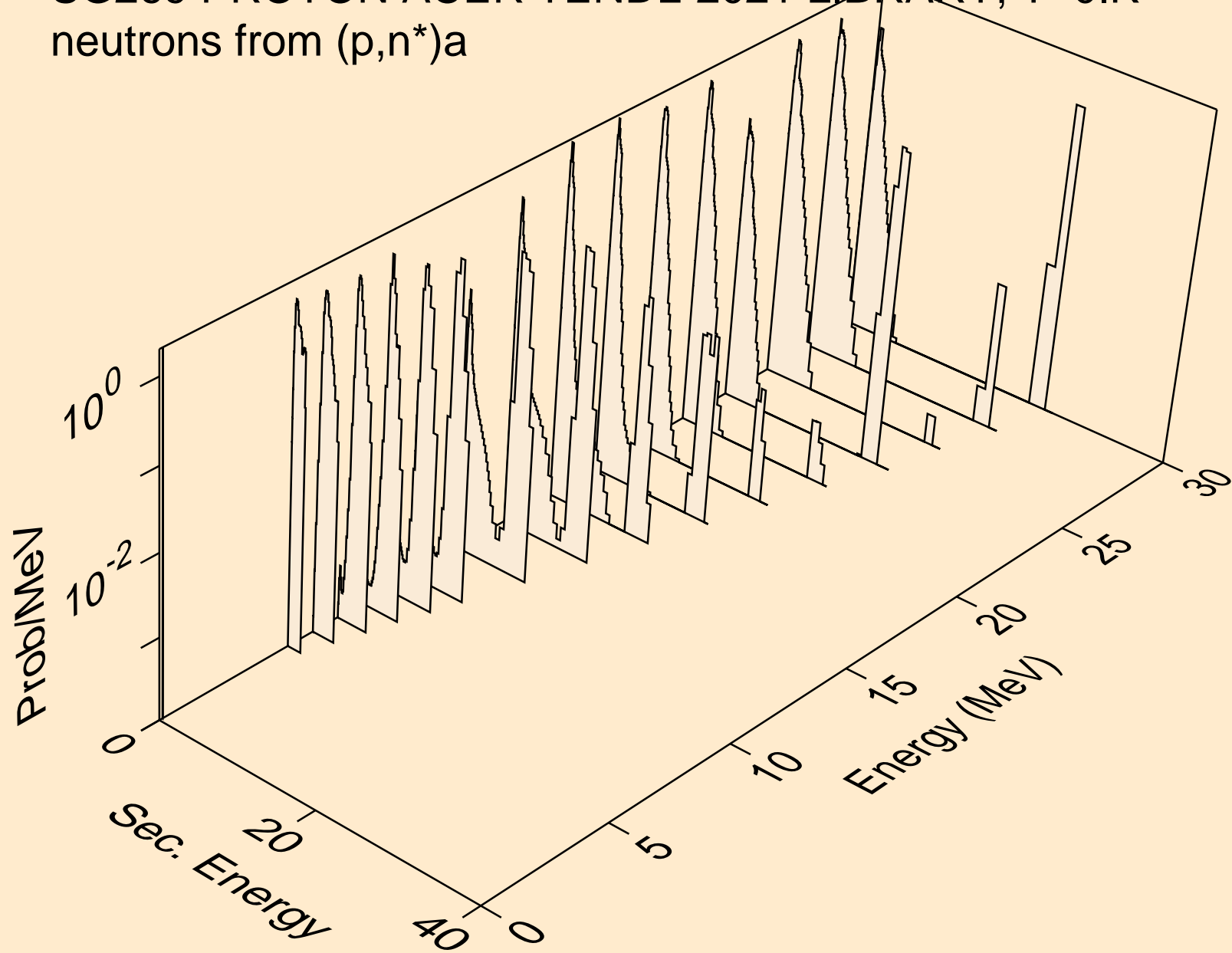
SG269 PROTON ACER TENDL-2021 LIBRARY; T=0.K
neutrons from (p,2n)



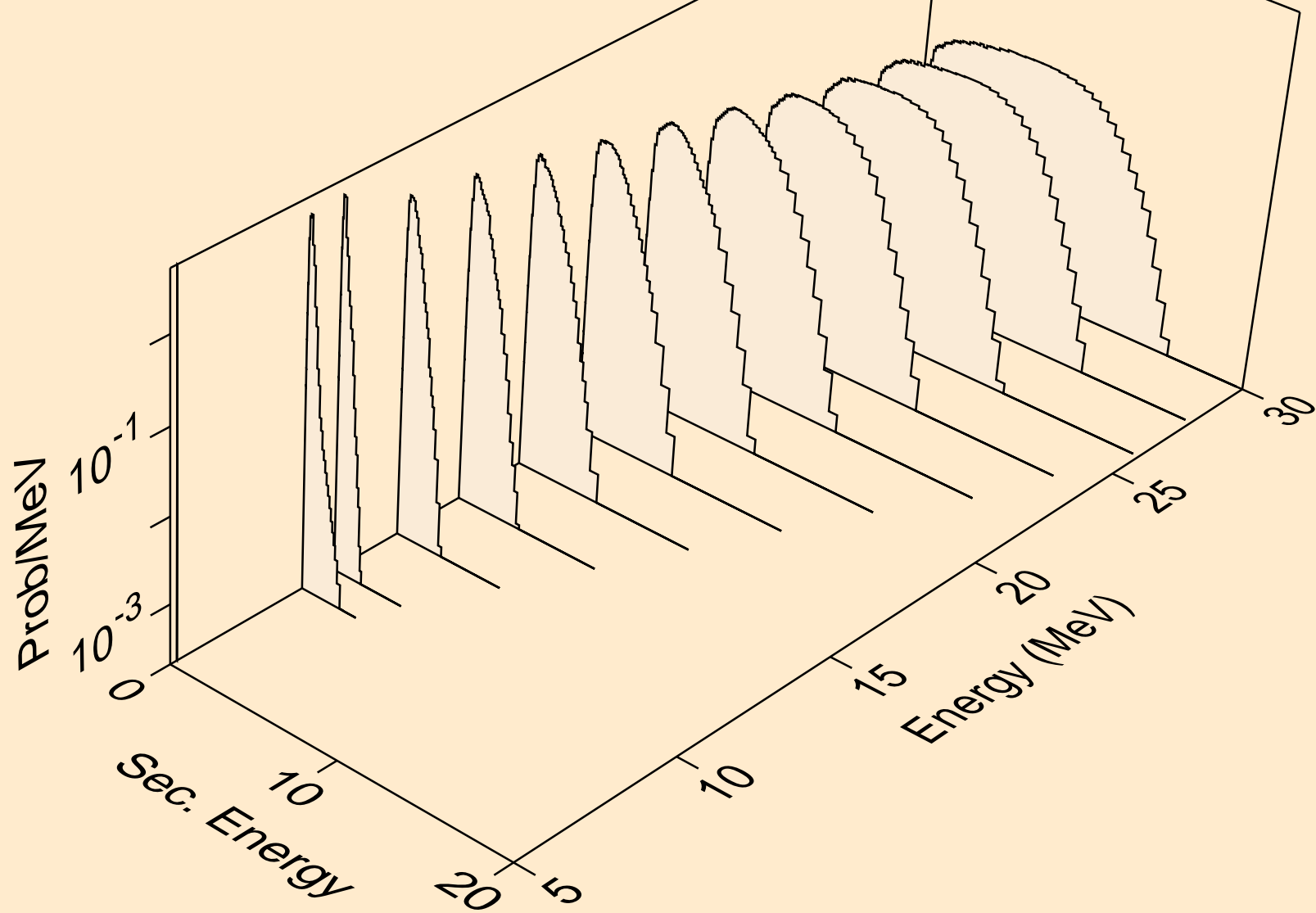
SG269 PROTON ACER TENDL-2021 LIBRARY; T=0.K
neutrons from (p,3n)



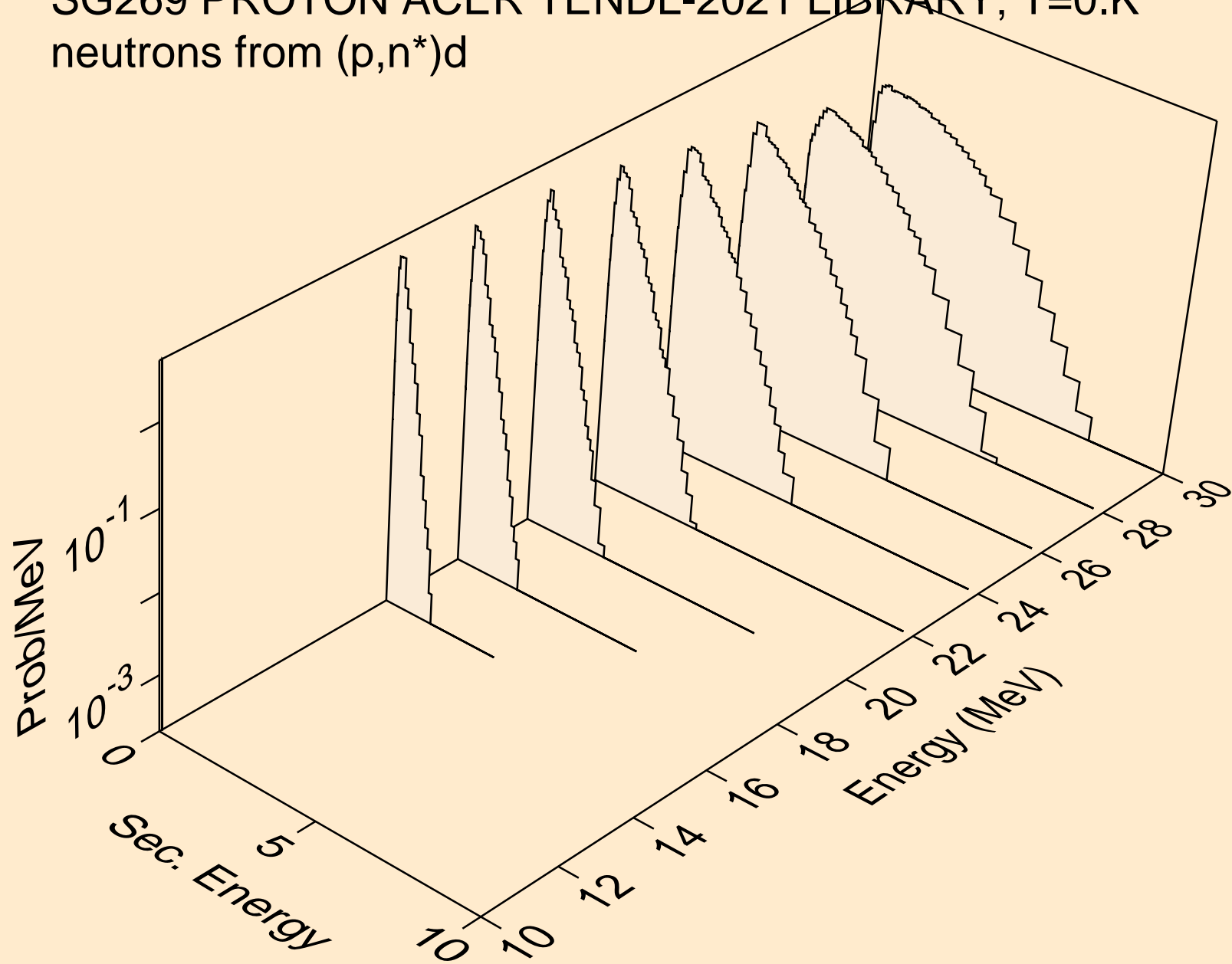
SG269 PROTON ACER TENDL-2021 LIBRARY; T=0.K
neutrons from (p,n*)a



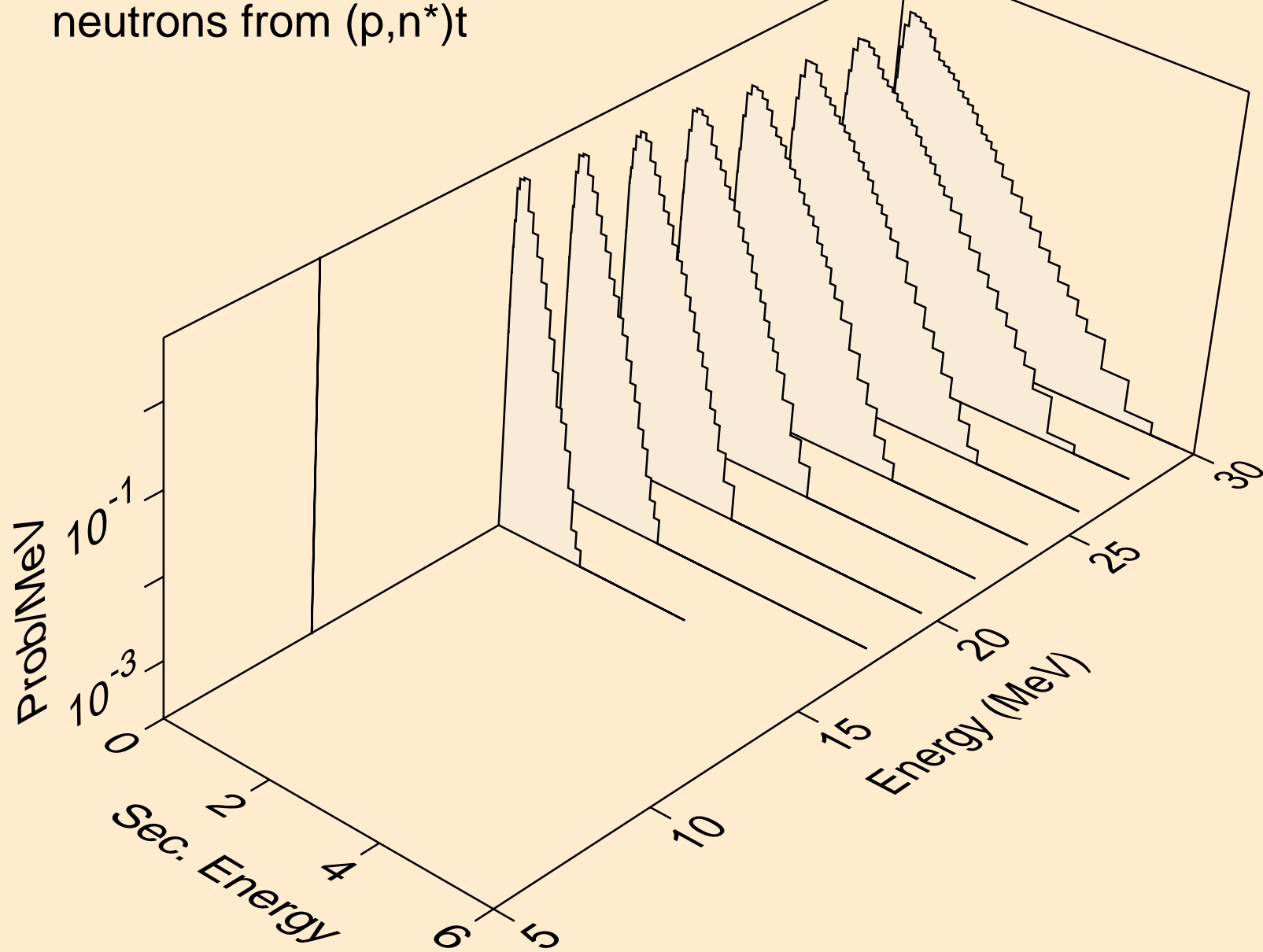
SG269 PROTON ACER TENDL-2021 LIBRARY; T=0.K
neutrons from (p,n*)p



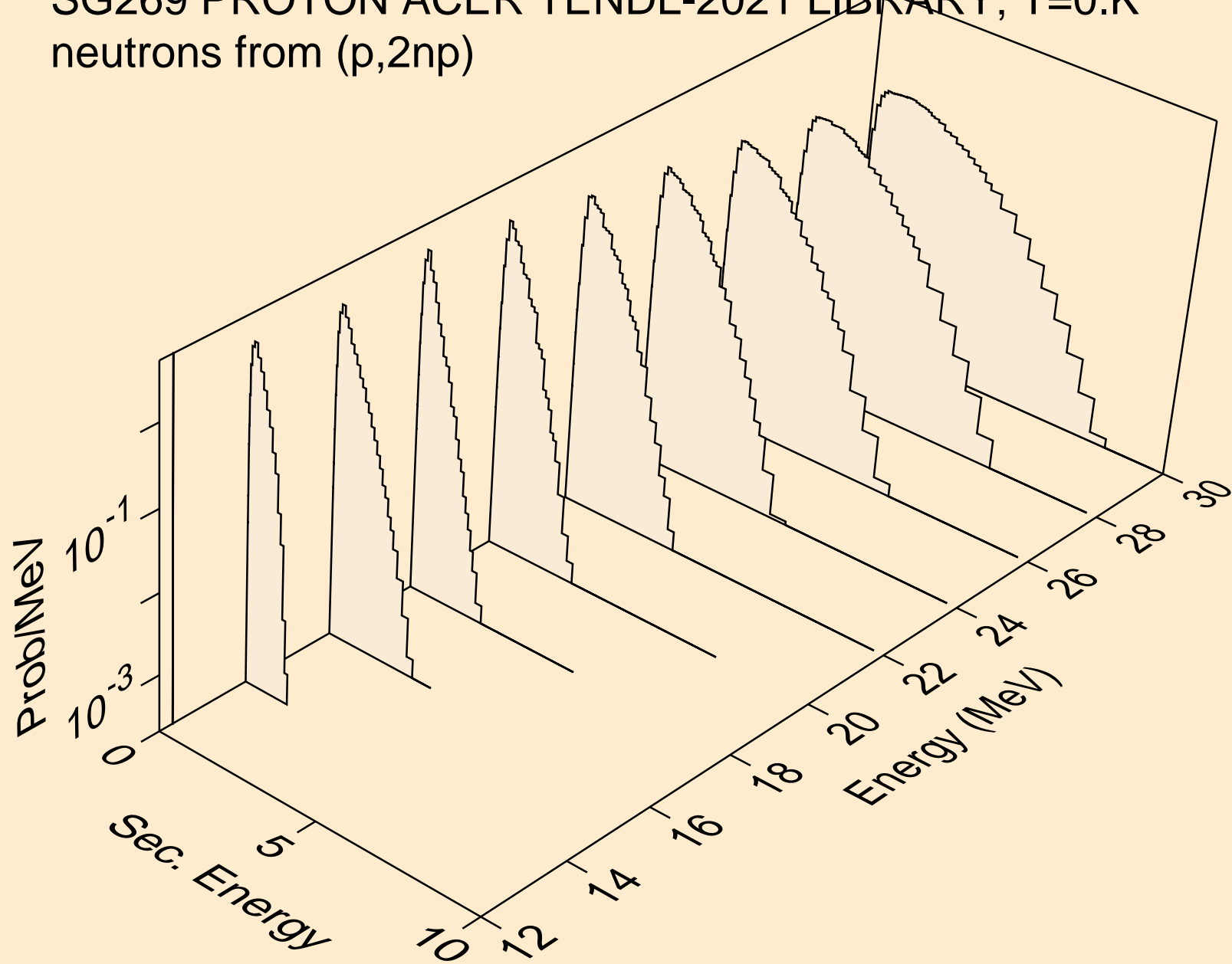
SG269 PROTON ACER TENDL-2021 LIBRARY; T=0.K
neutrons from (p,n*)d



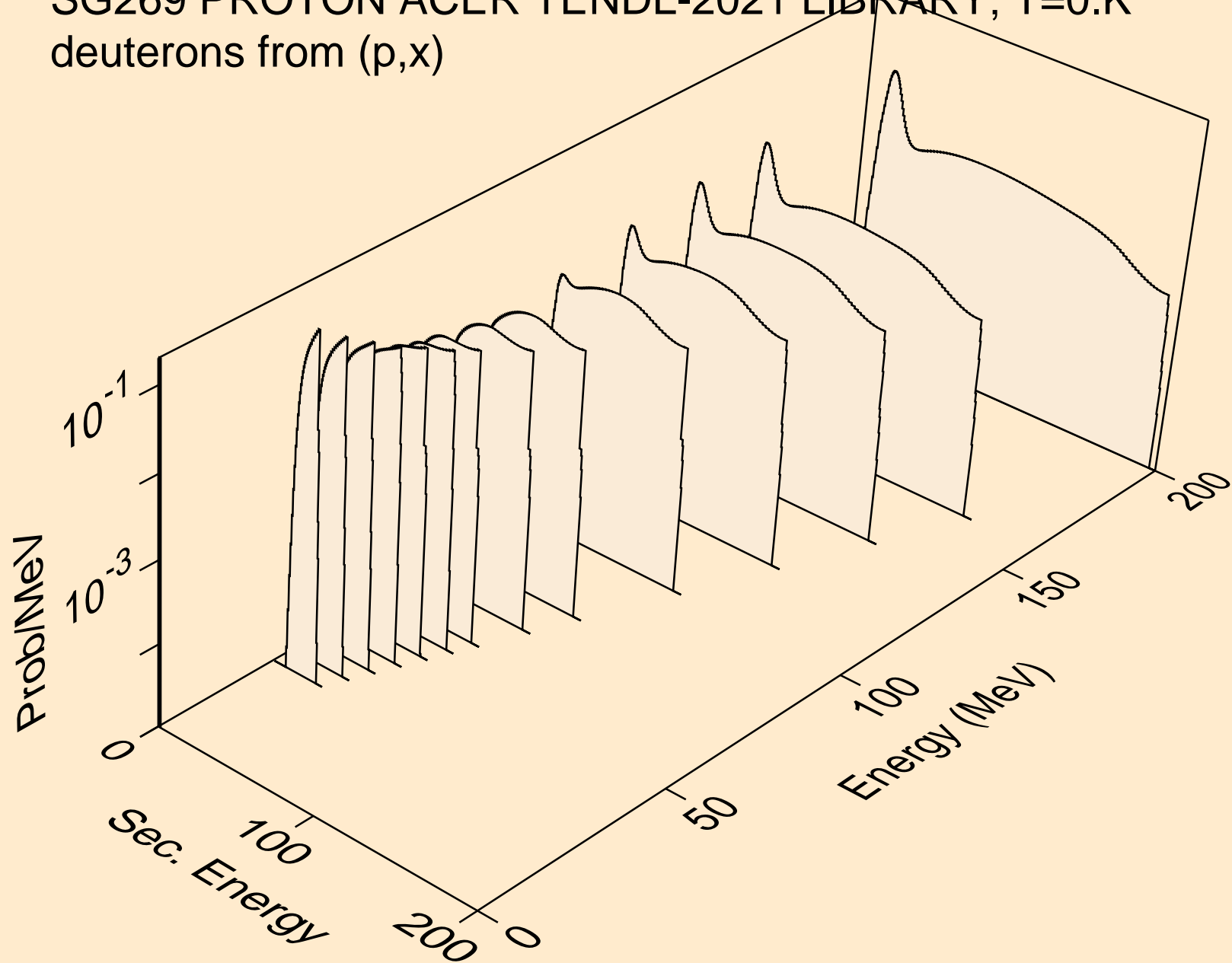
SG269 PROTON ACER TENDL-2021 LIBRARY; T=0.K
neutrons from (p,n*)t



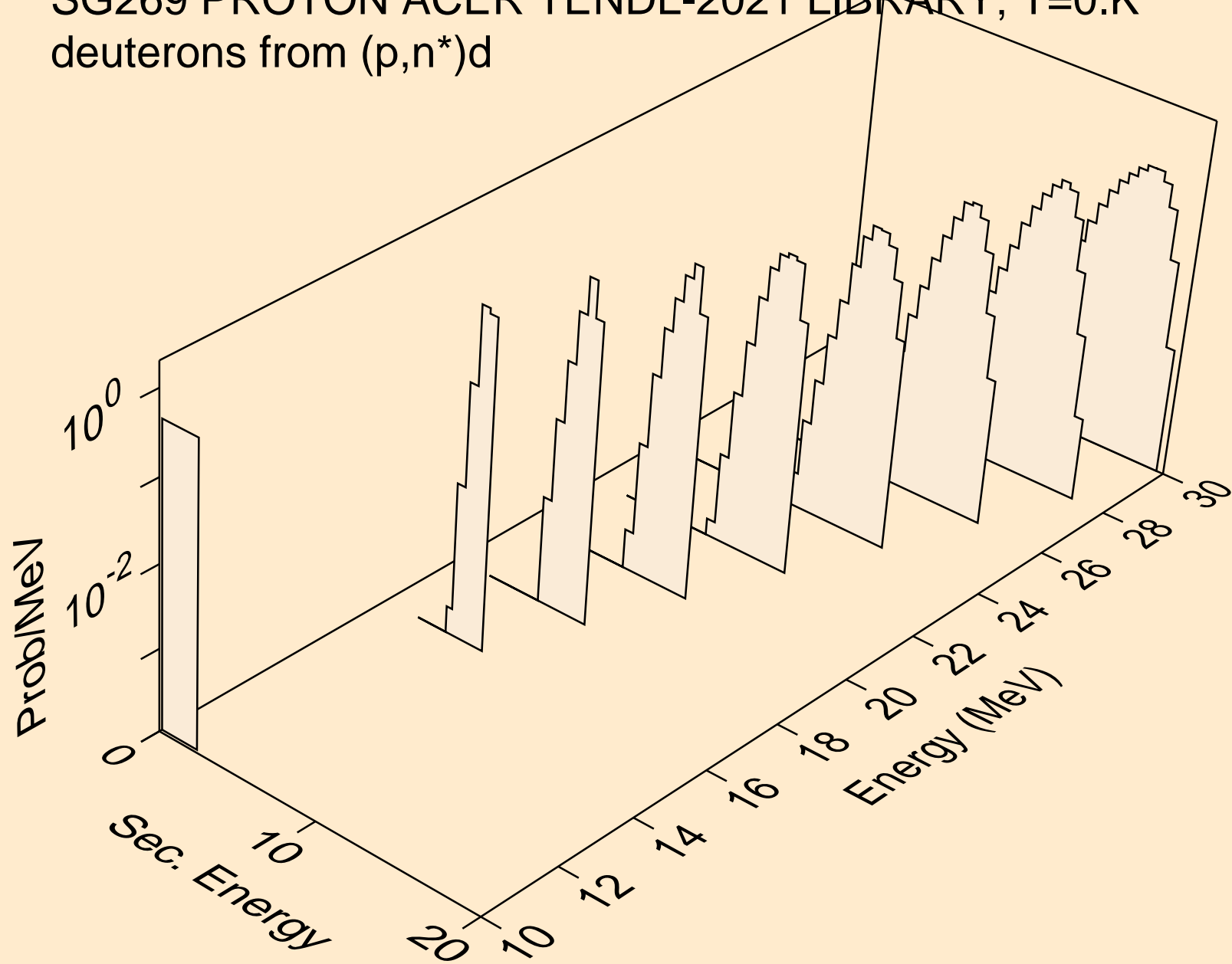
SG269 PROTON ACER TENDL-2021 LIBRARY; T=0.K
neutrons from (p,2np)



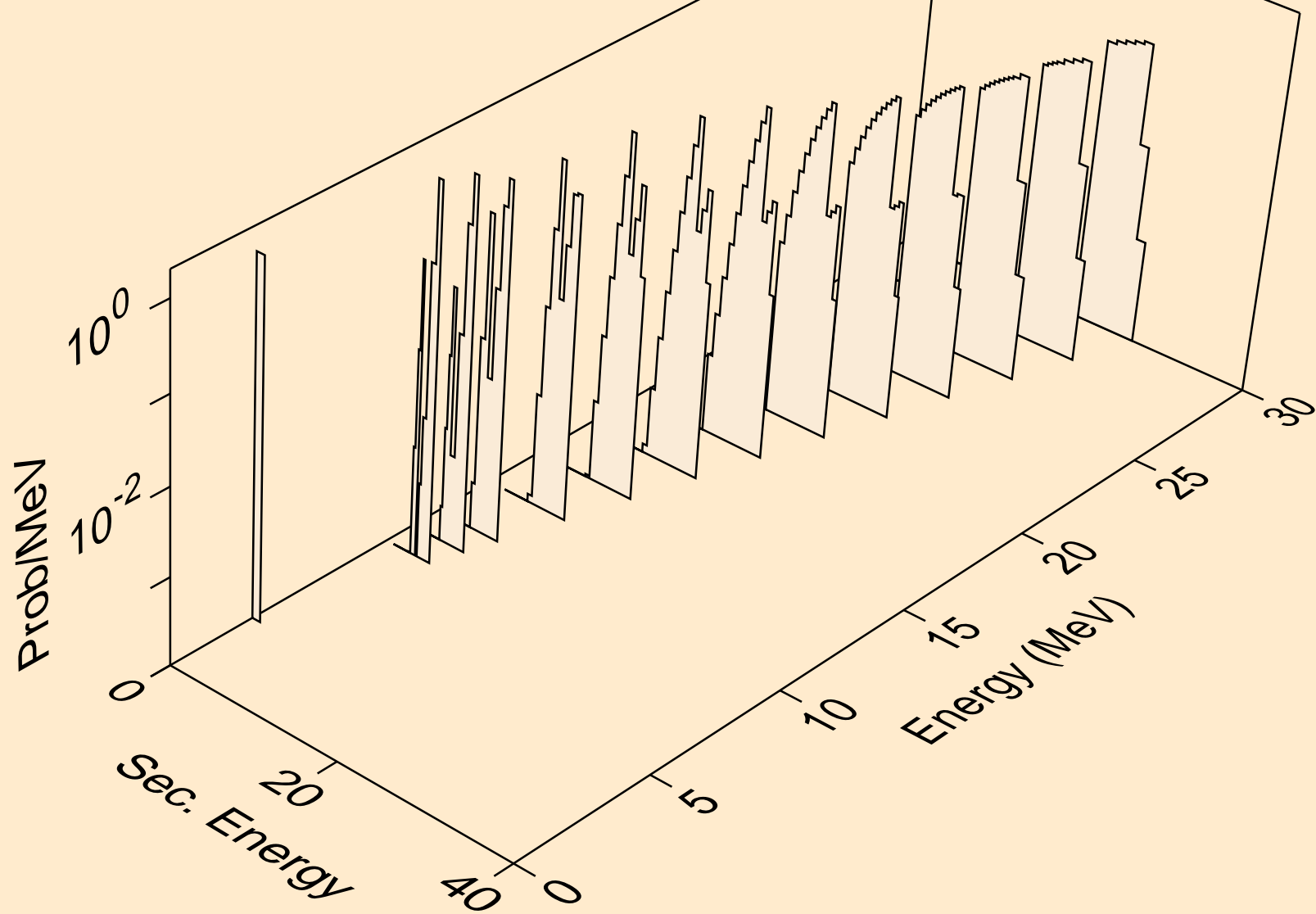
SG269 PROTON ACER TENDL-2021 LIBRARY; T=0.K
deuterons from (p,x)



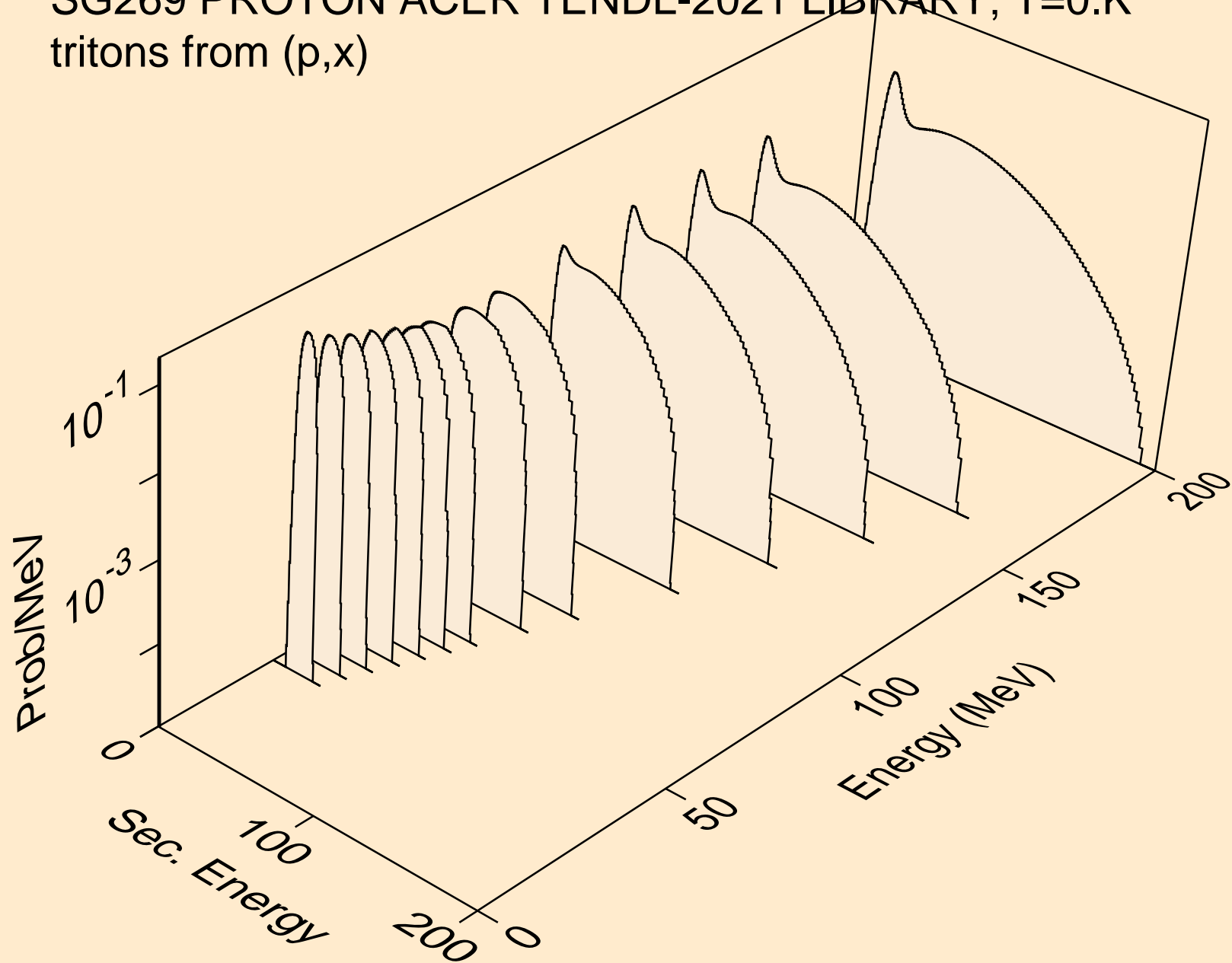
SG269 PROTON ACER TENDL-2021 LIBRARY; T=0.K
deuterons from (p,n*)d



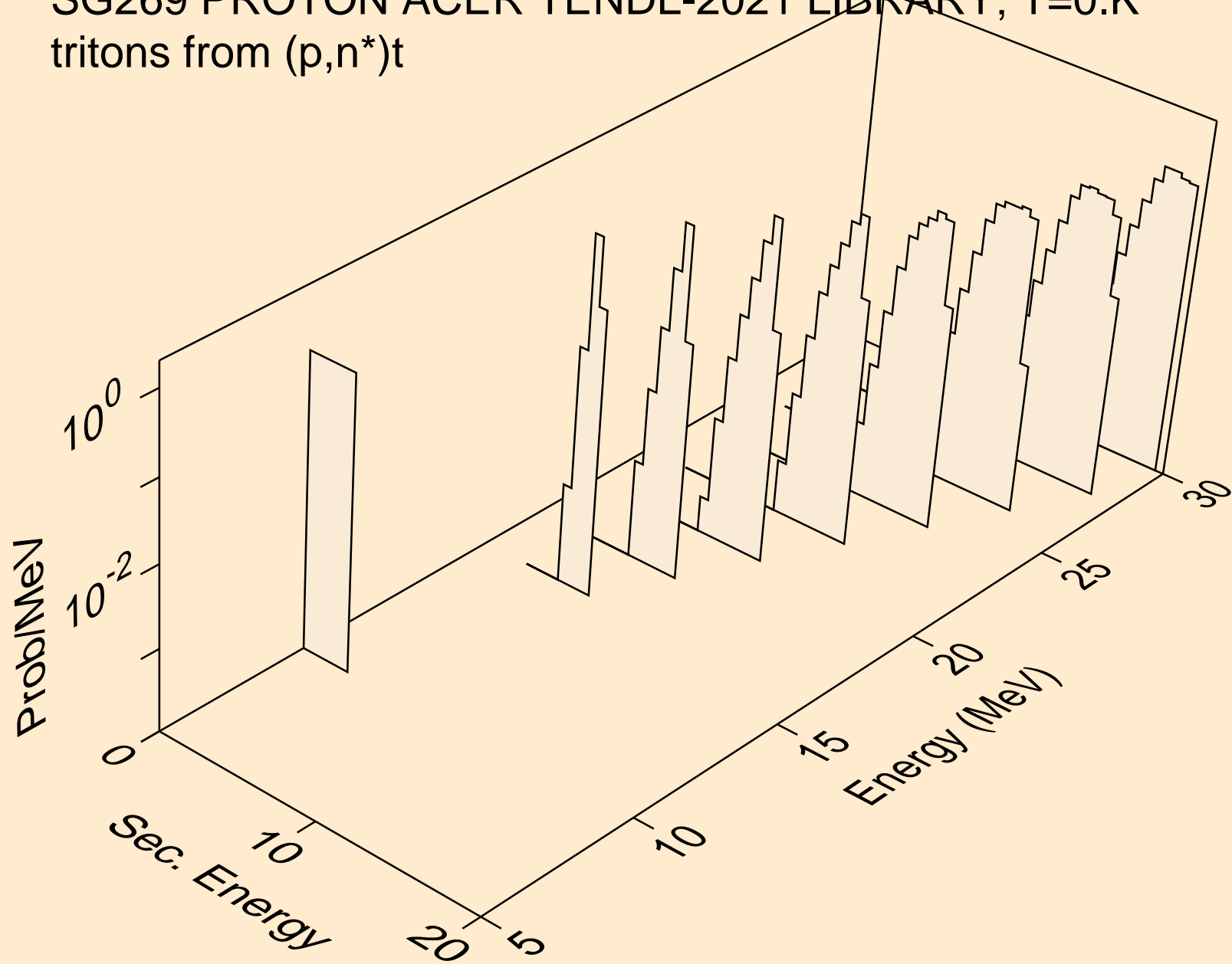
SG269 PROTON ACER TENDL-2021 LIBRARY; T=0.K
deuterons from (p,d)



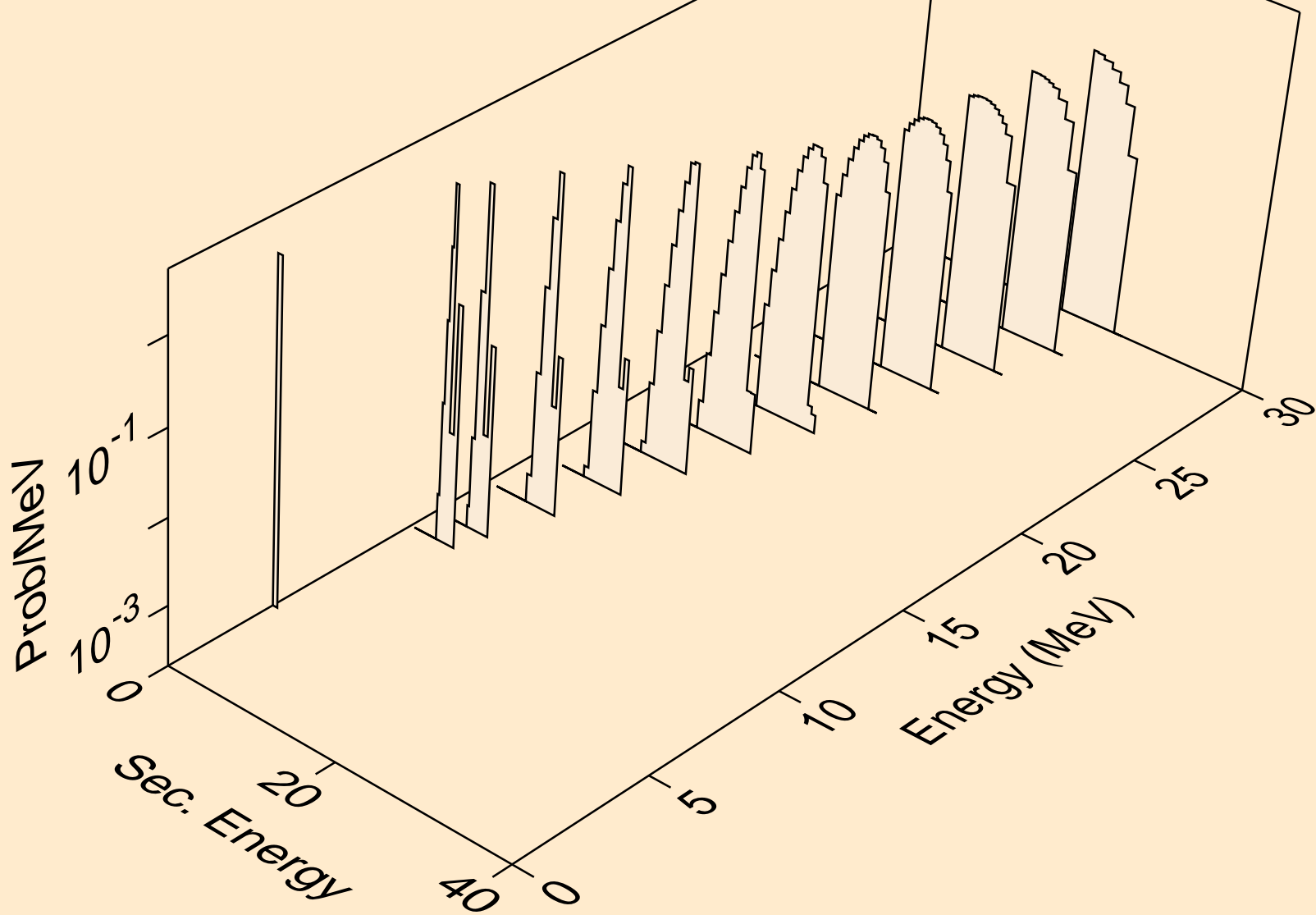
SG269 PROTON ACER TENDL-2021 LIBRARY; T=0.K
tritons from (p,x)



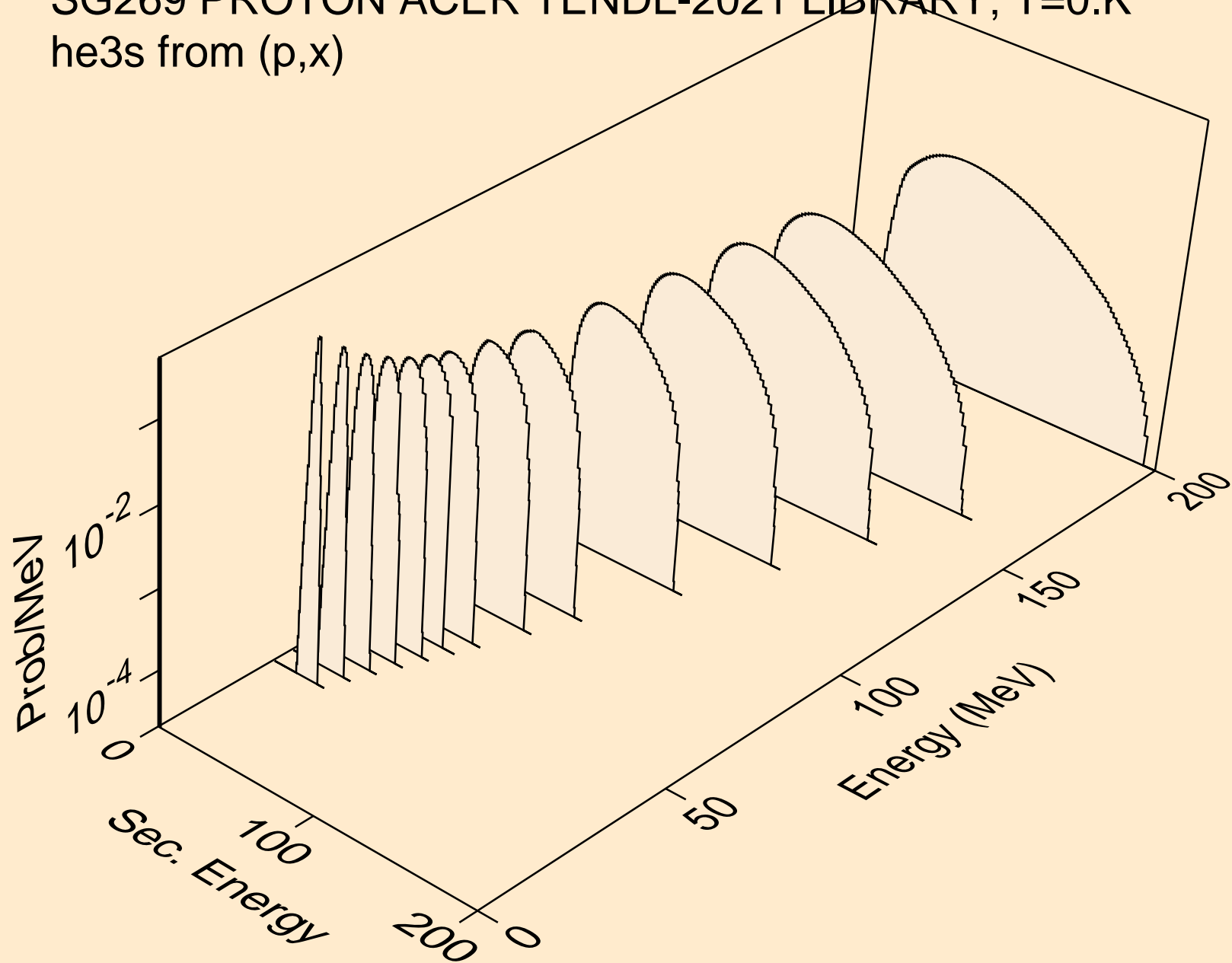
SG269 PROTON ACER TENDL-2021 LIBRARY; T=0.K
tritons from (p,n*)t



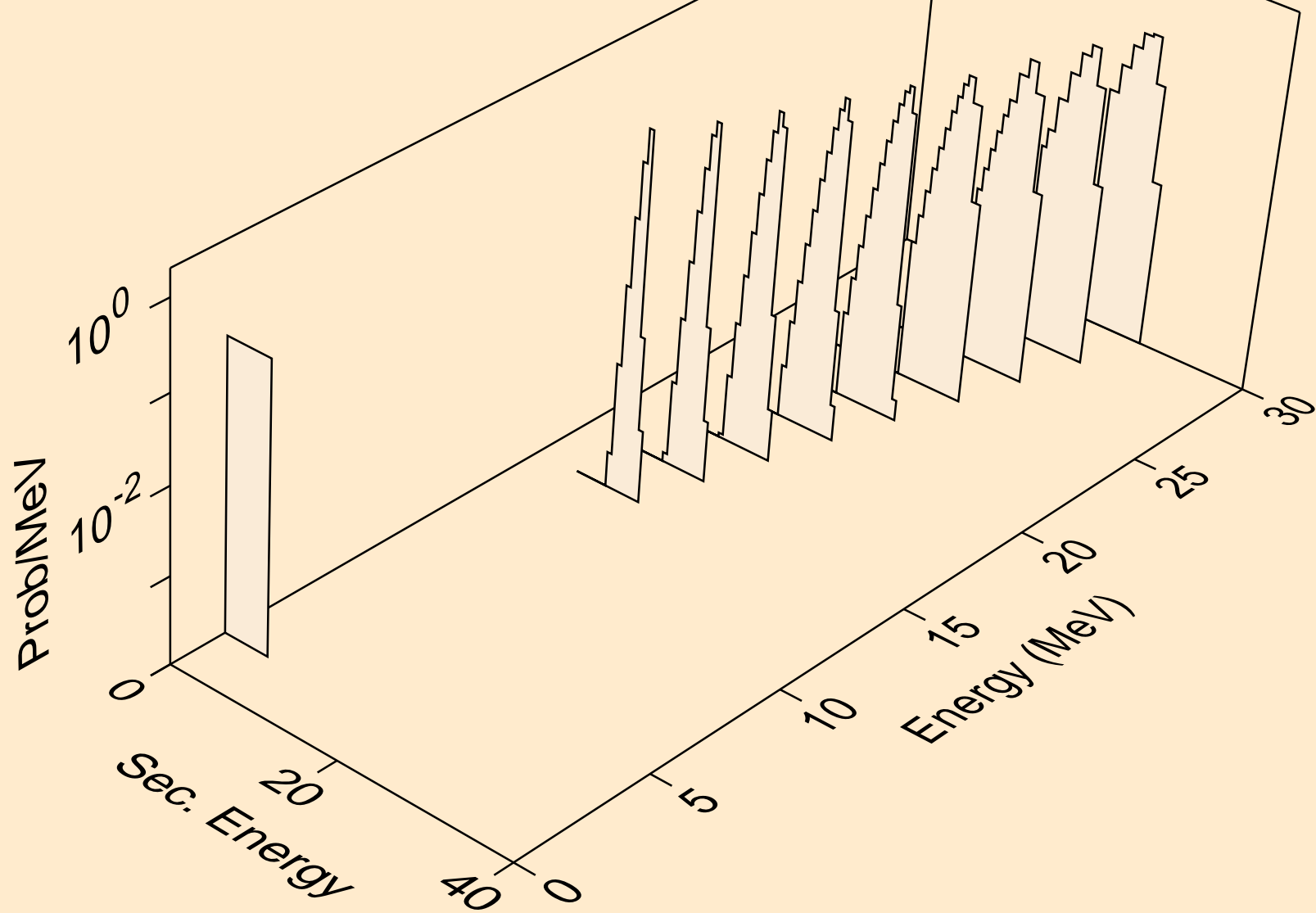
SG269 PROTON ACER TENDL-2021 LIBRARY; T=0.K
tritons from (p,t)



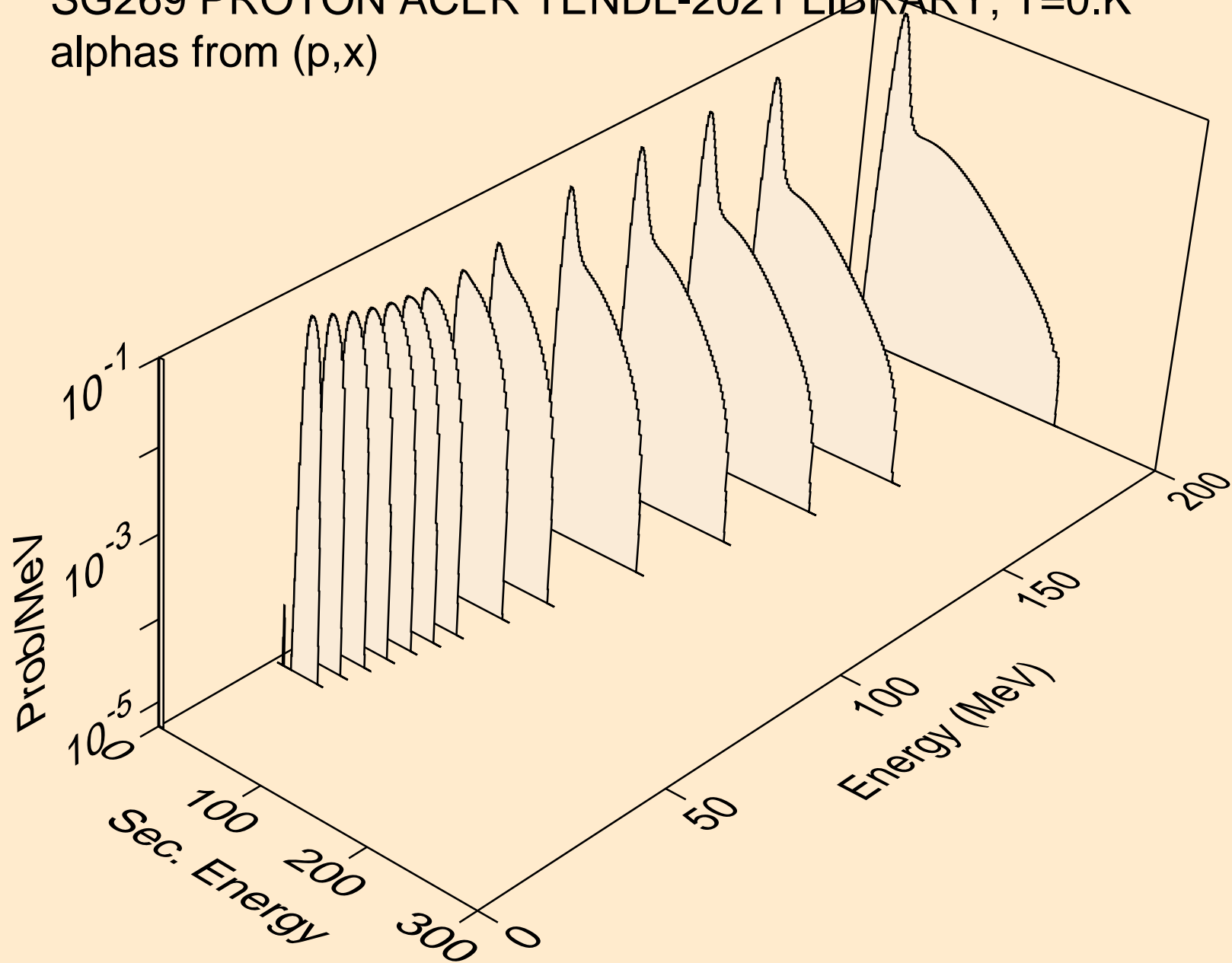
SG269 PROTON ACER TENDL-2021 LIBRARY; T=0.K
he3s from (p,x)



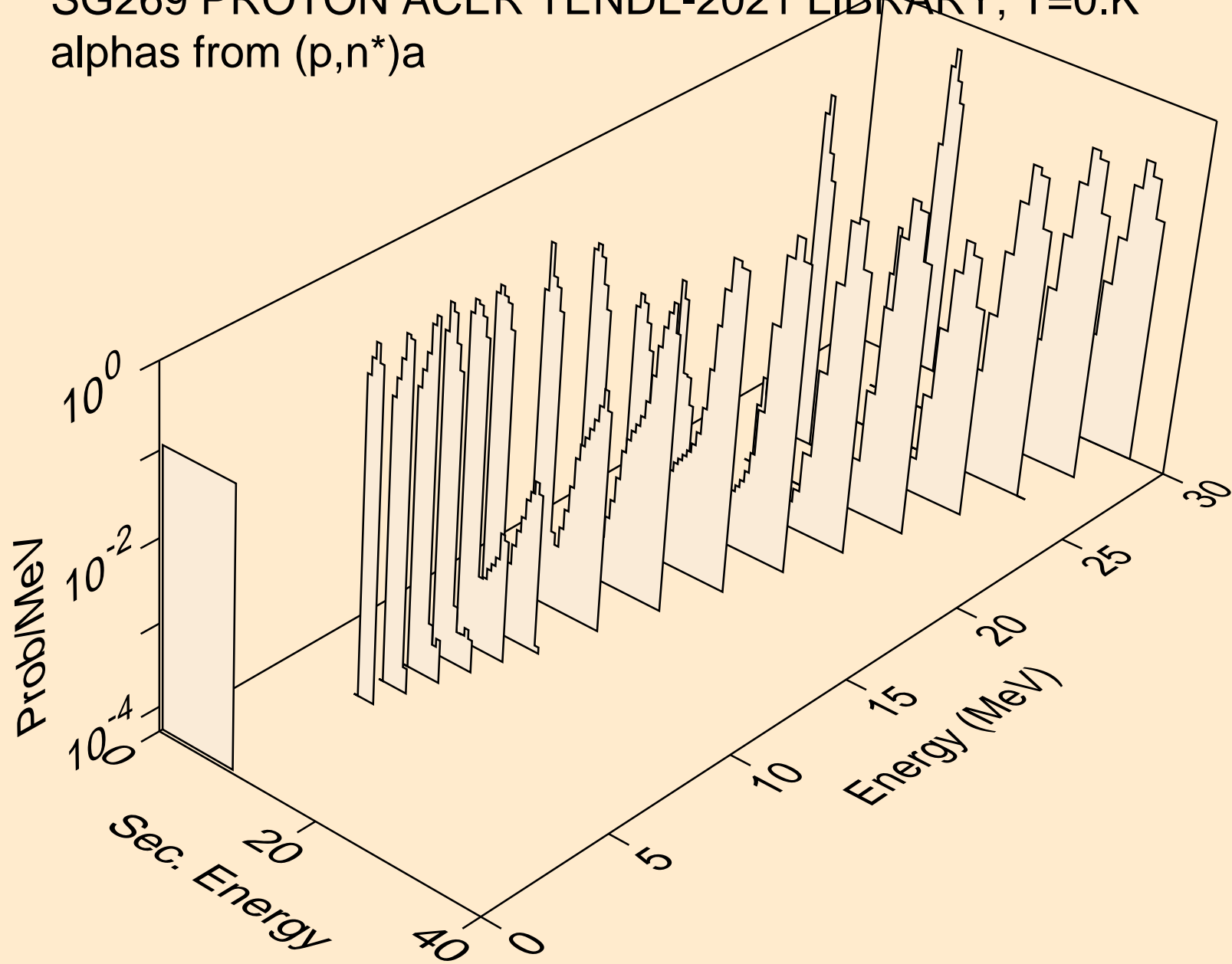
SG269 PROTON ACER TENDL-2021 LIBRARY; T=0.K
he3s from (p,he3)



SG269 PROTON ACER TENDL-2021 LIBRARY; T=0.K
alphas from (p,x)



SG269 PROTON ACER TENDL-2021 LIBRARY; T=0.K
alphas from (p,n*)a



SG269 PROTON ACER TENDL-2021 LIBRARY; T=0.K
alphas from (p,a)

