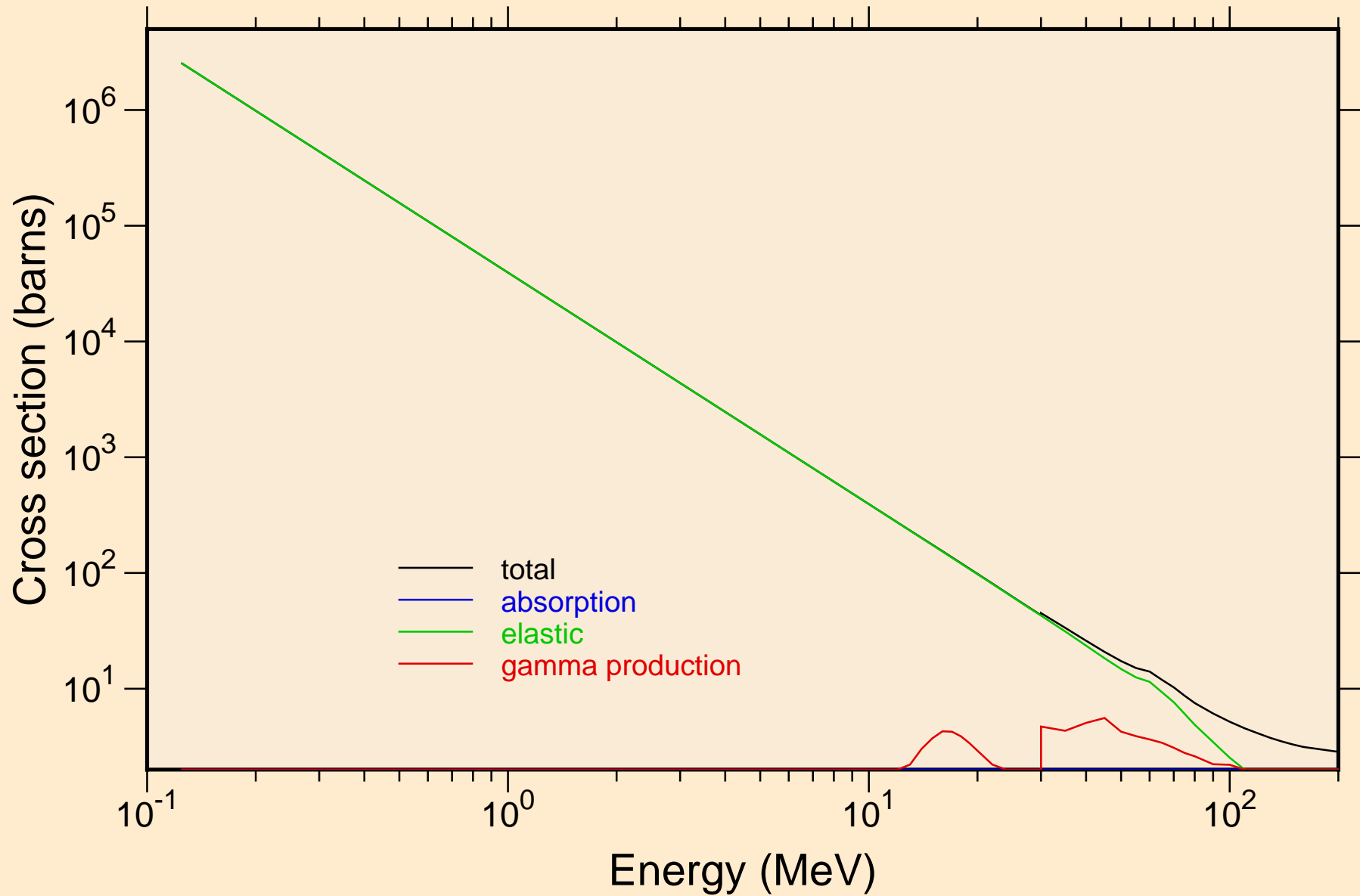
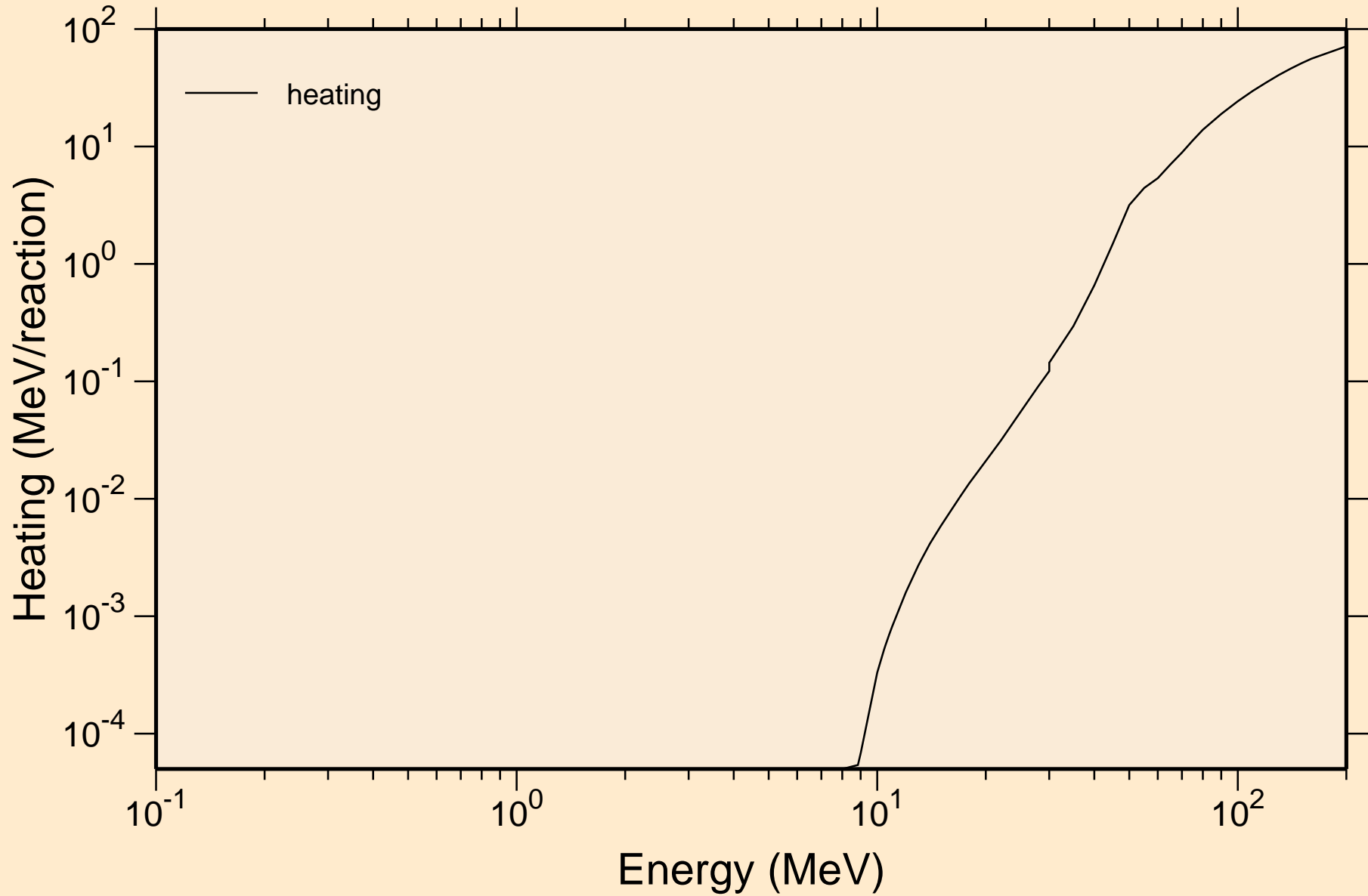


AU209 TRITON ACER TENDL-2021 LIBRARY; T=0.K
Principal cross sections



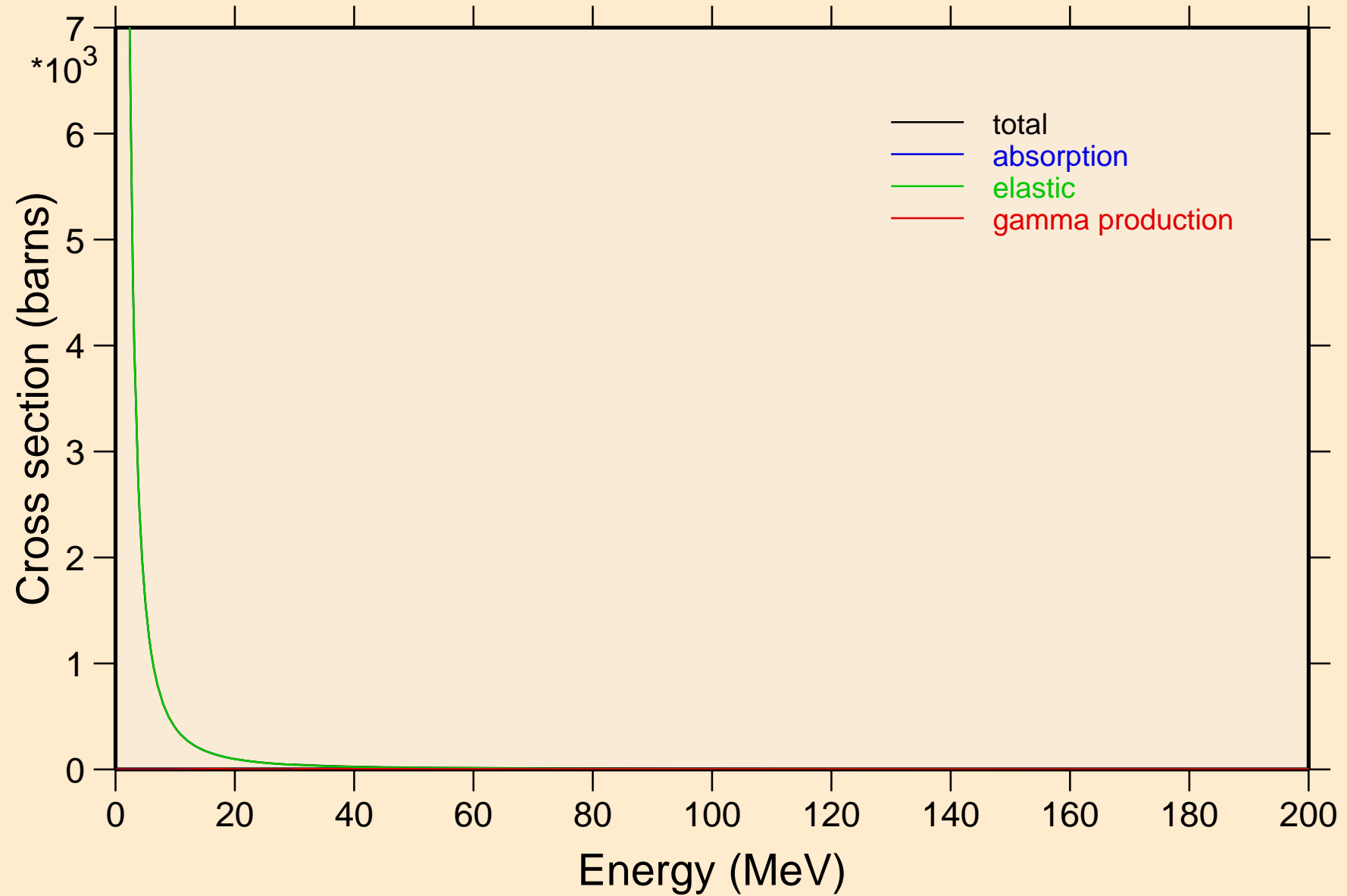
AU209 TRITON ACER TENDL-2021 LIBRARY; T=0.K

Heating



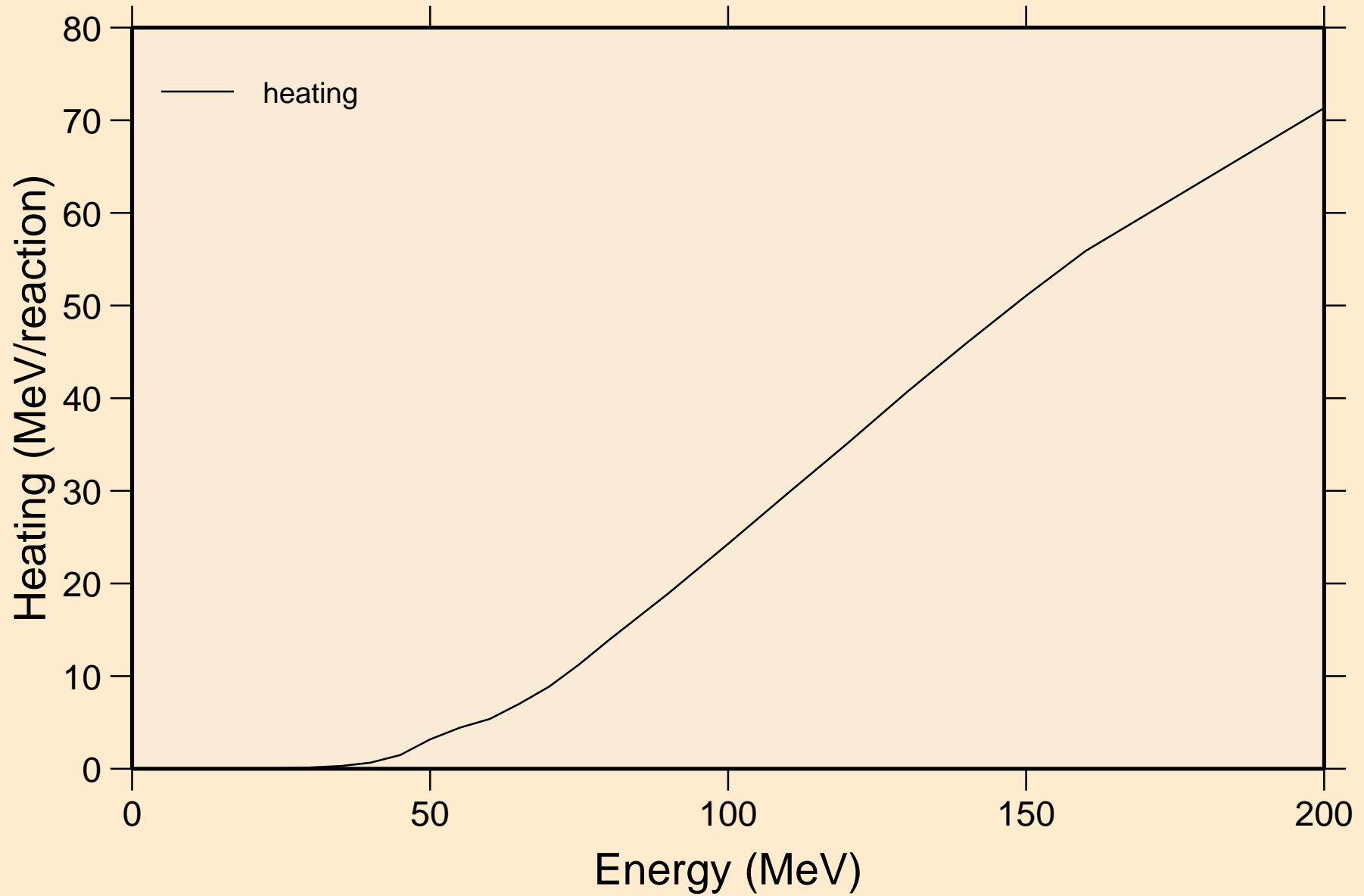
AU209 TRITON ACER TENDL-2021 LIBRARY; T=0.K

Principal cross sections

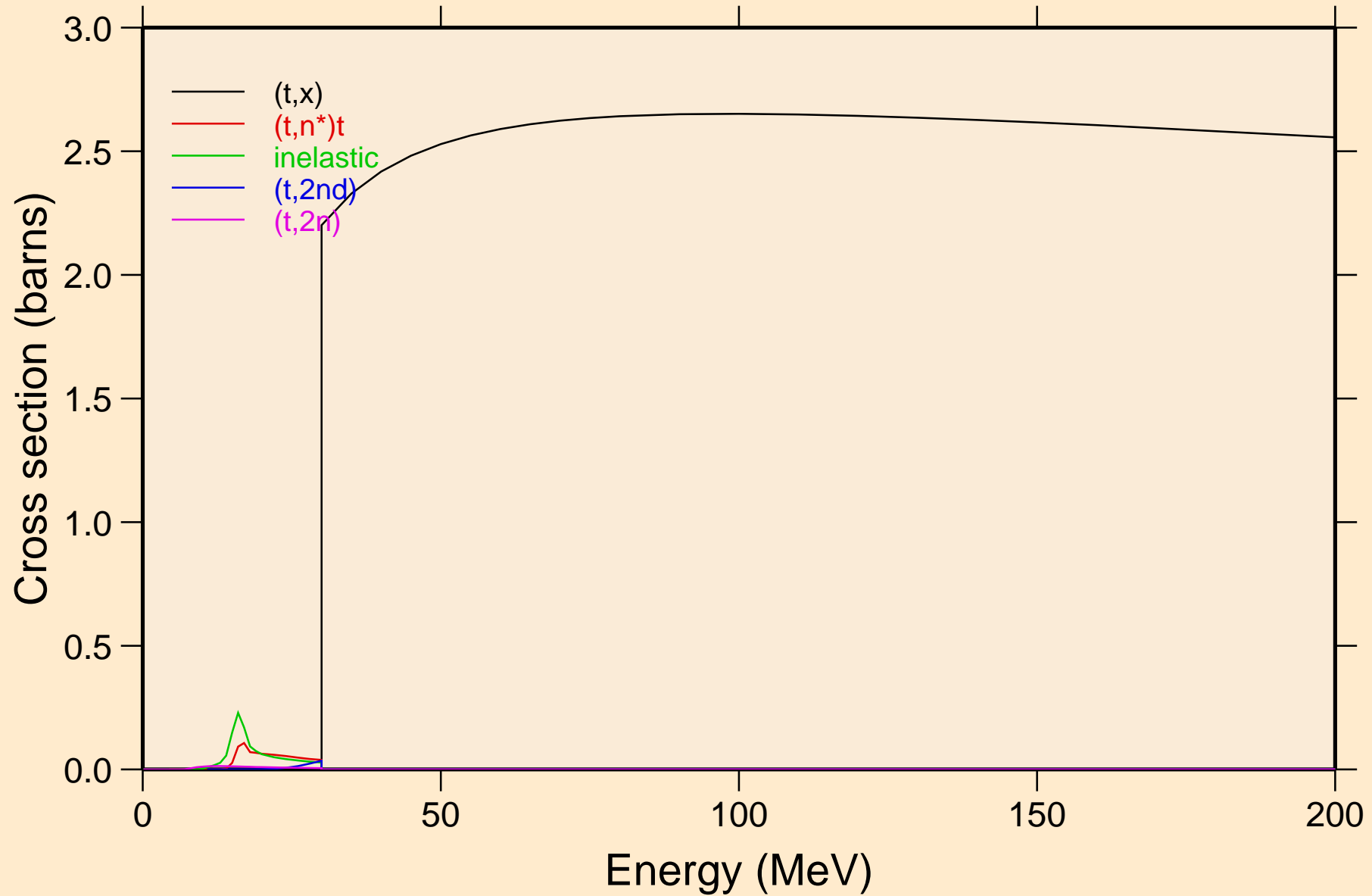


AU209 TRITON ACER TENDL-2021 LIBRARY; T=0.K

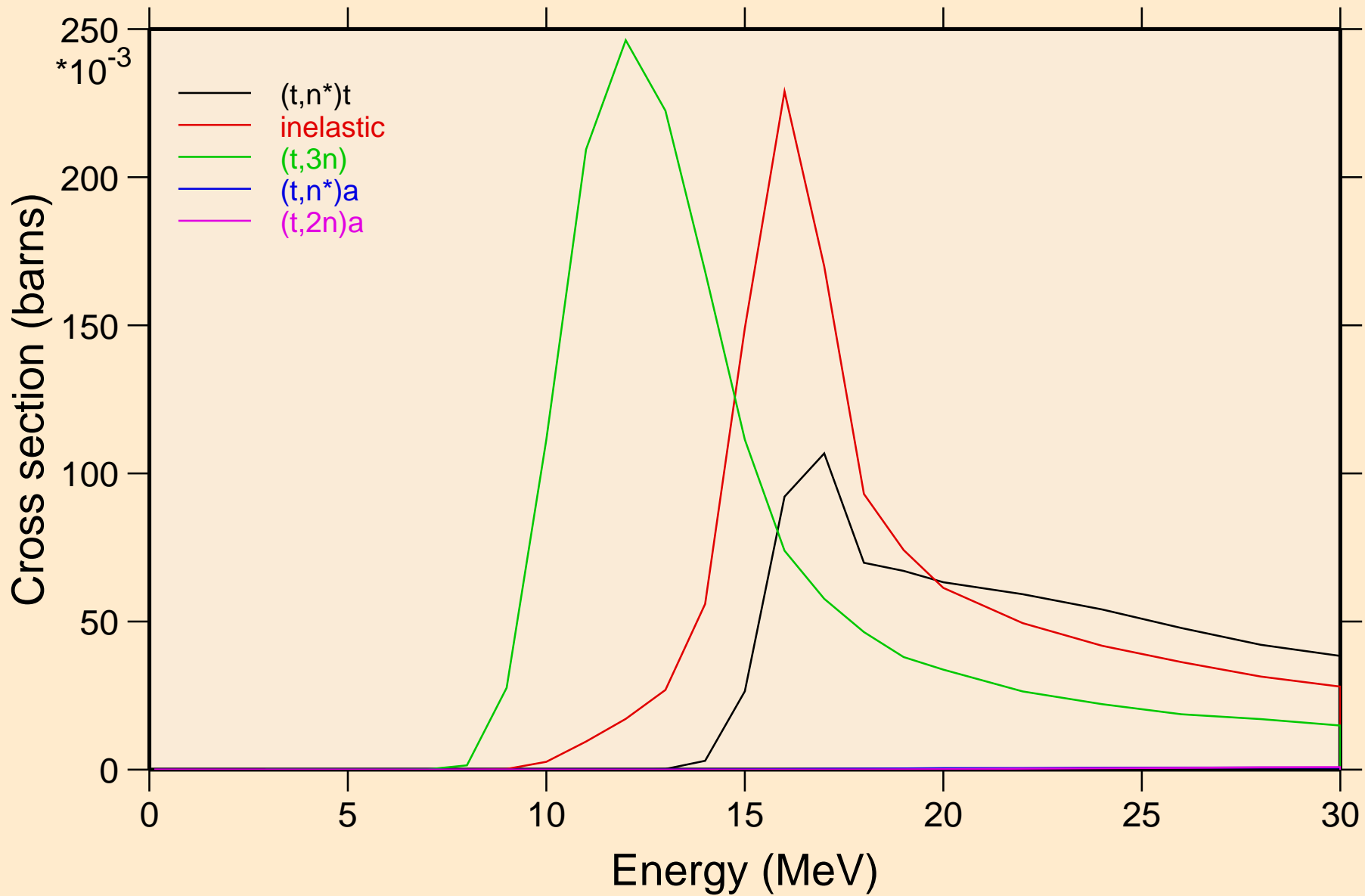
Heating



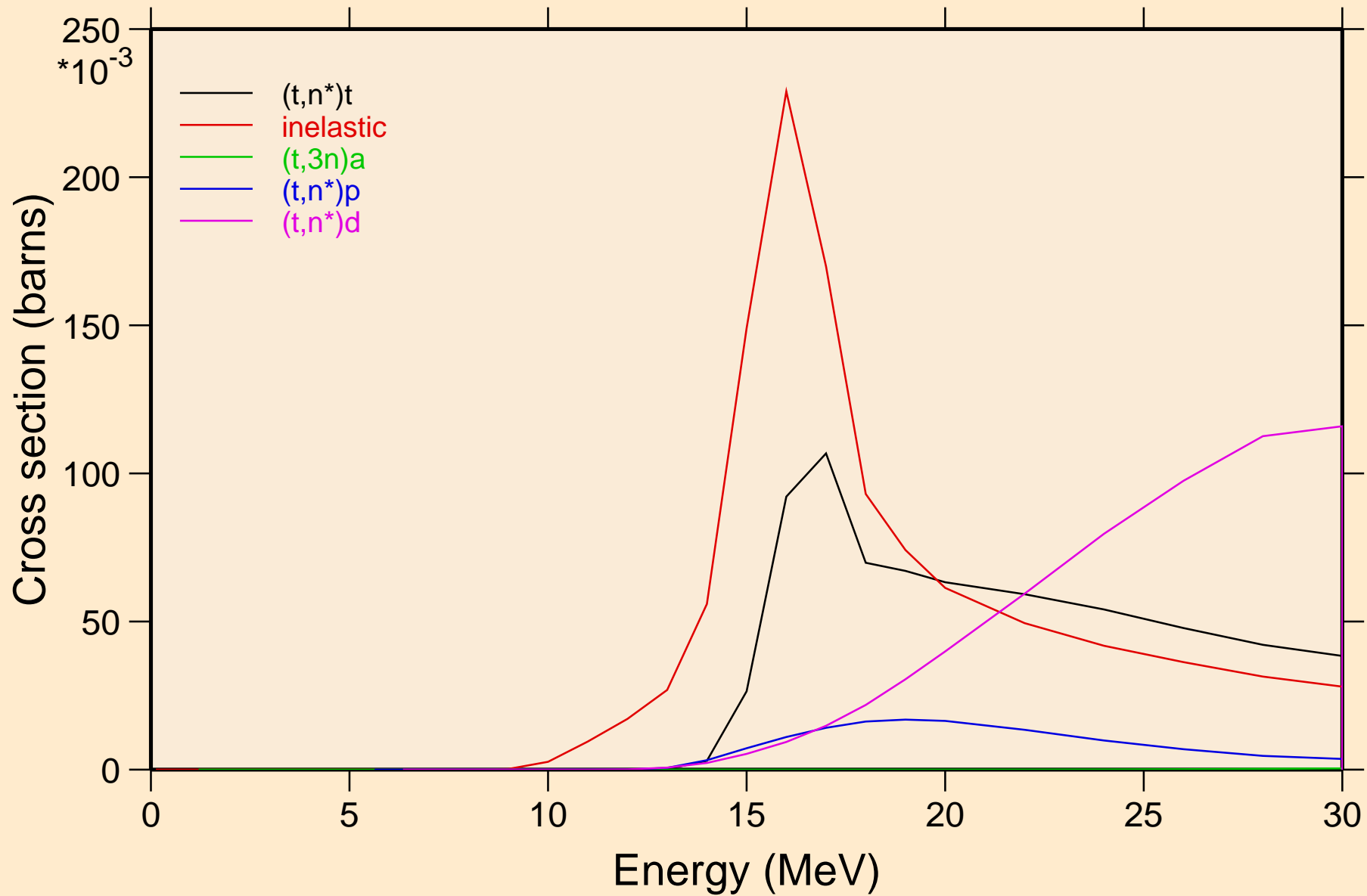
AU209 TRITON ACER TENDL-2021 LIBRARY; T=0.K
Threshold reactions



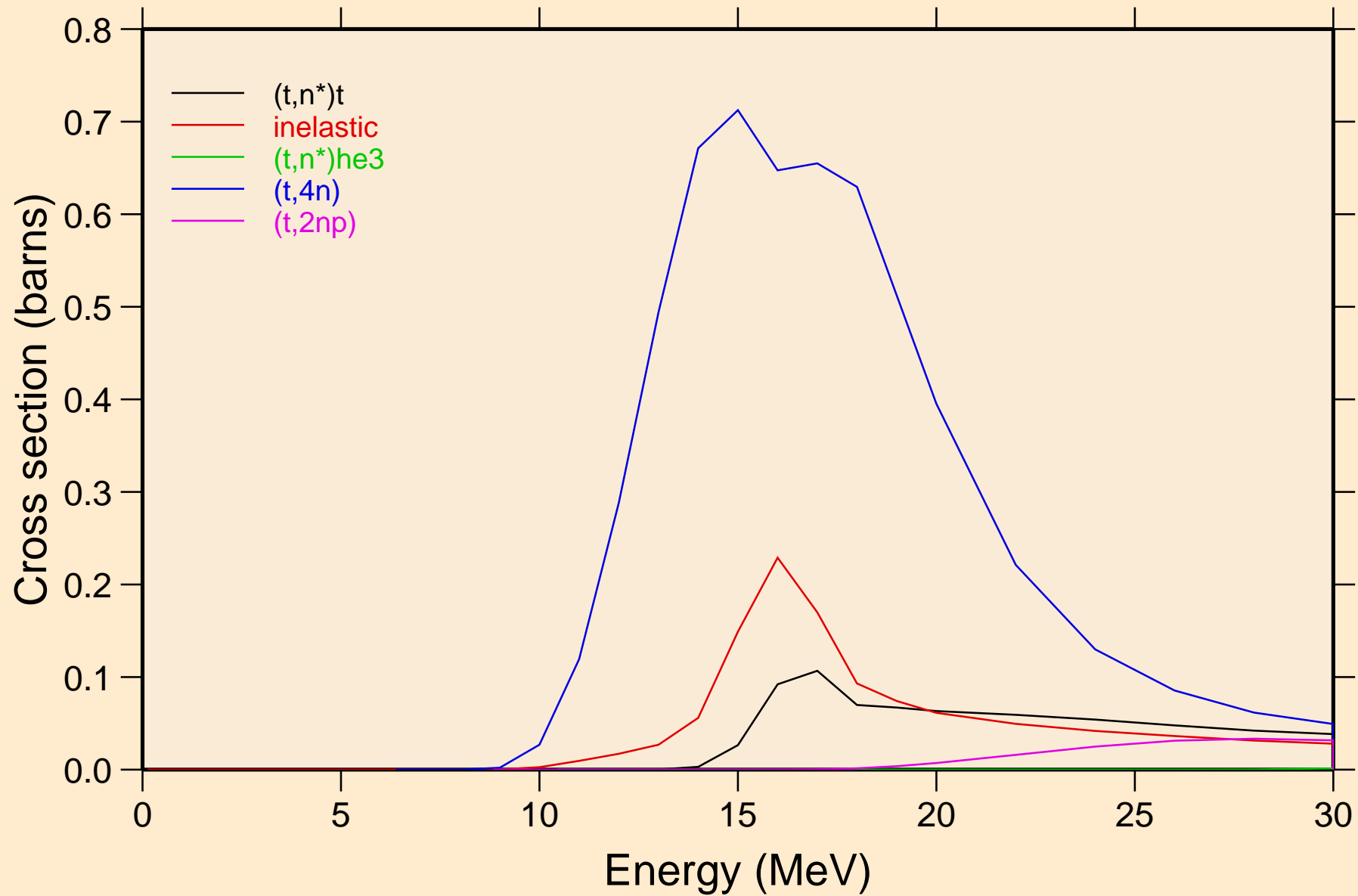
AU209 TRITON ACER TENDL-2021 LIBRARY; T=0.K
Threshold reactions



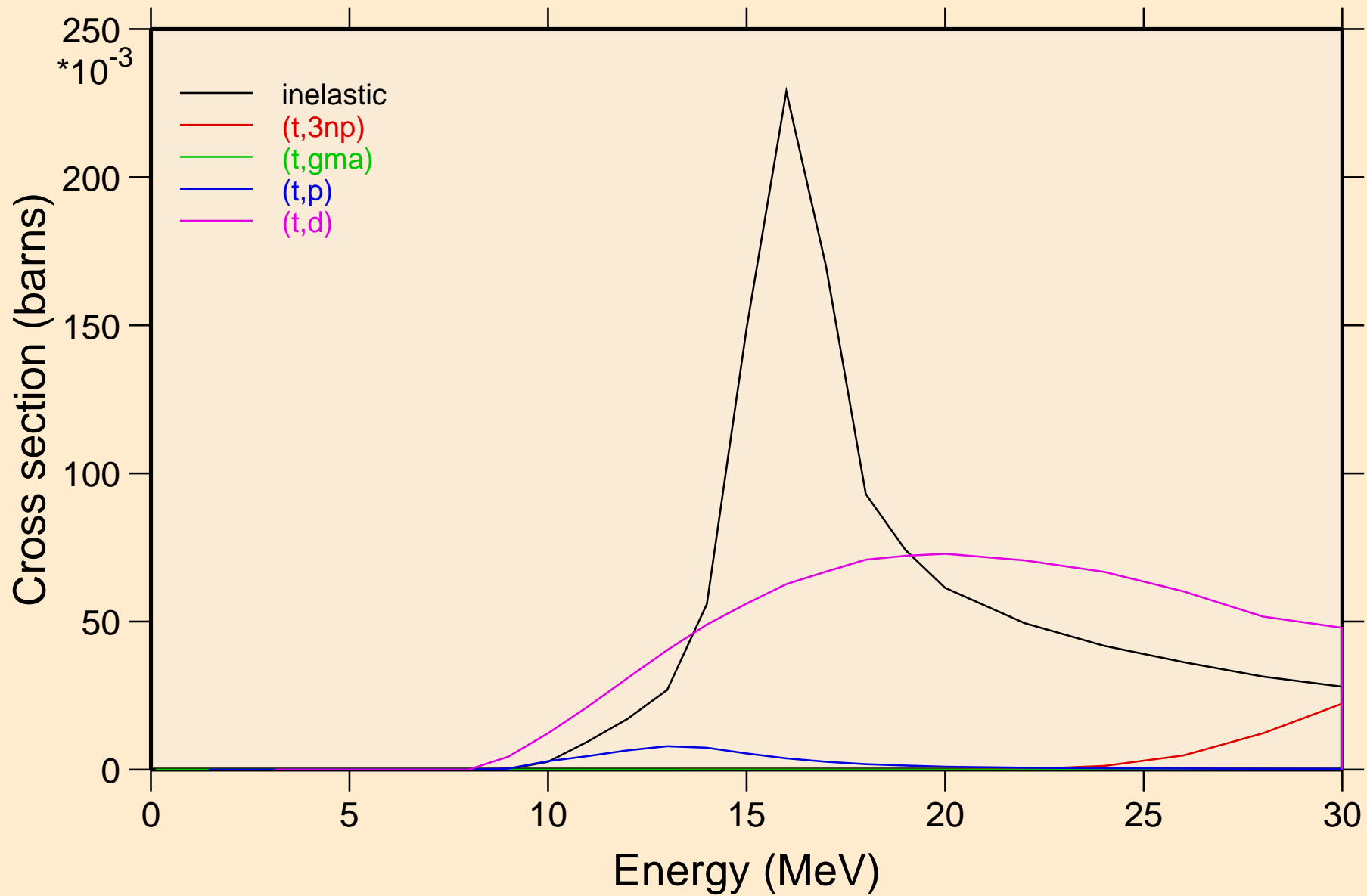
AU209 TRITON ACER TENDL-2021 LIBRARY; T=0.K
Threshold reactions



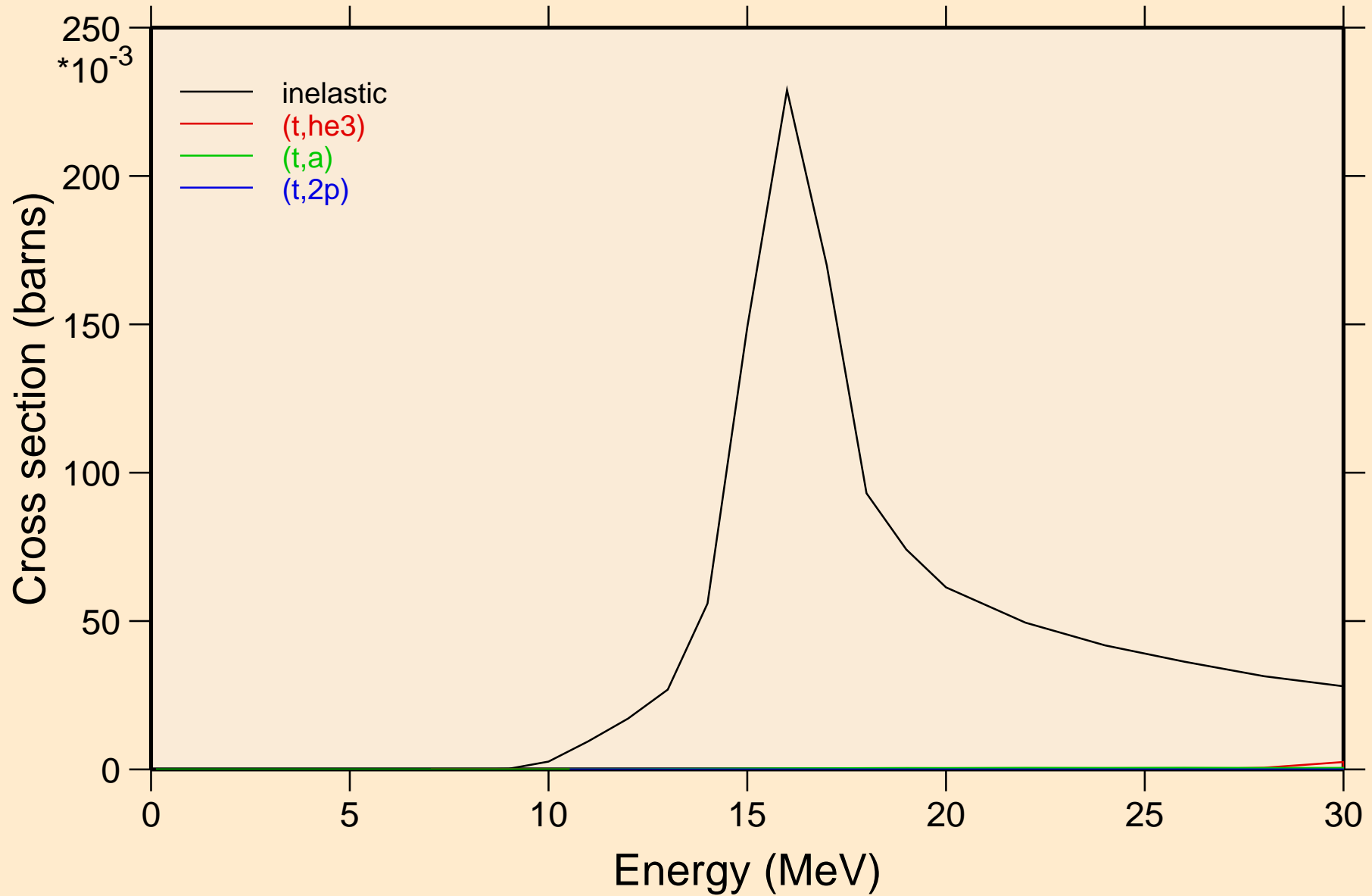
AU209 TRITON ACER TENDL-2021 LIBRARY; T=0.K
Threshold reactions



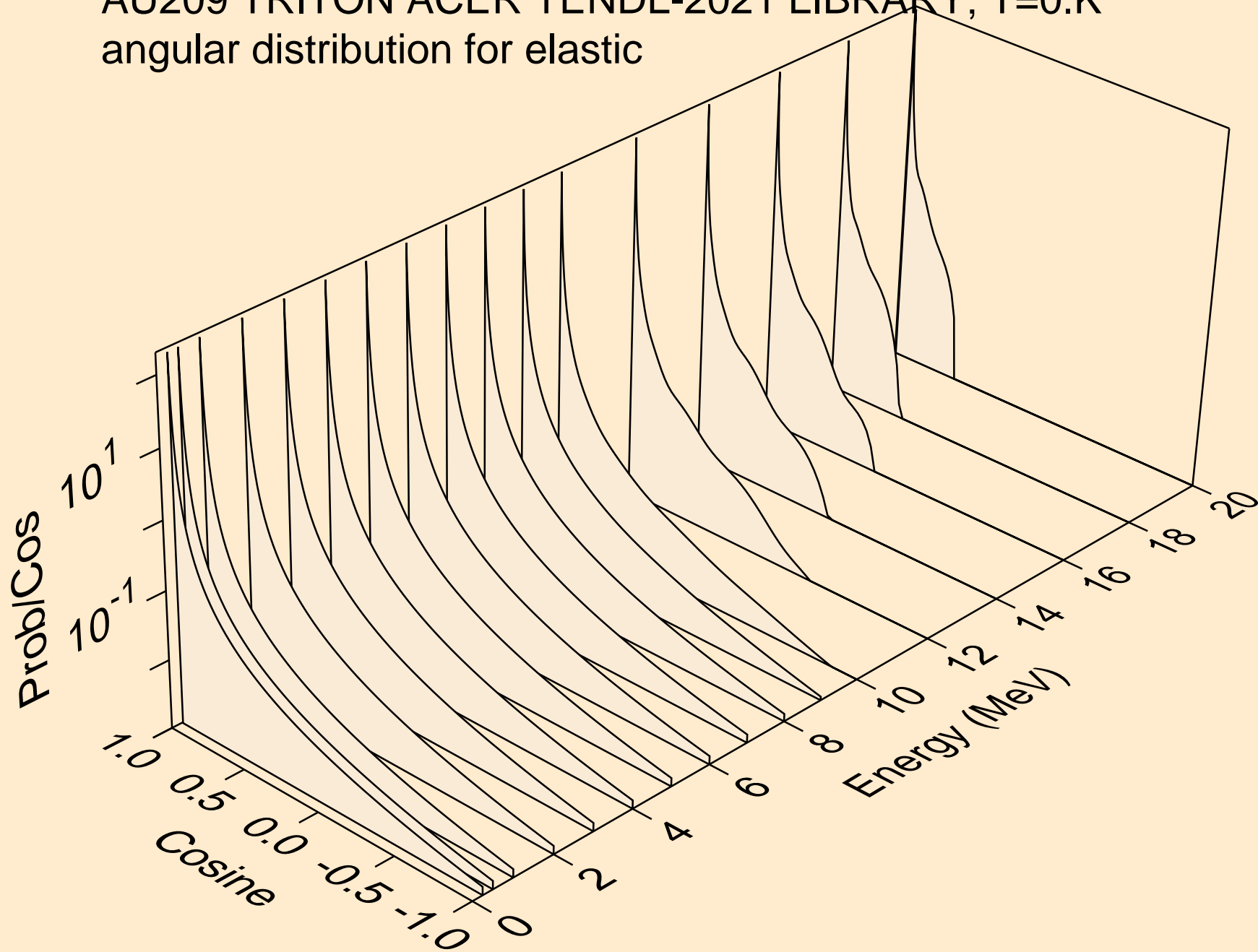
AU209 TRITON ACER TENDL-2021 LIBRARY; T=0.K
Threshold reactions



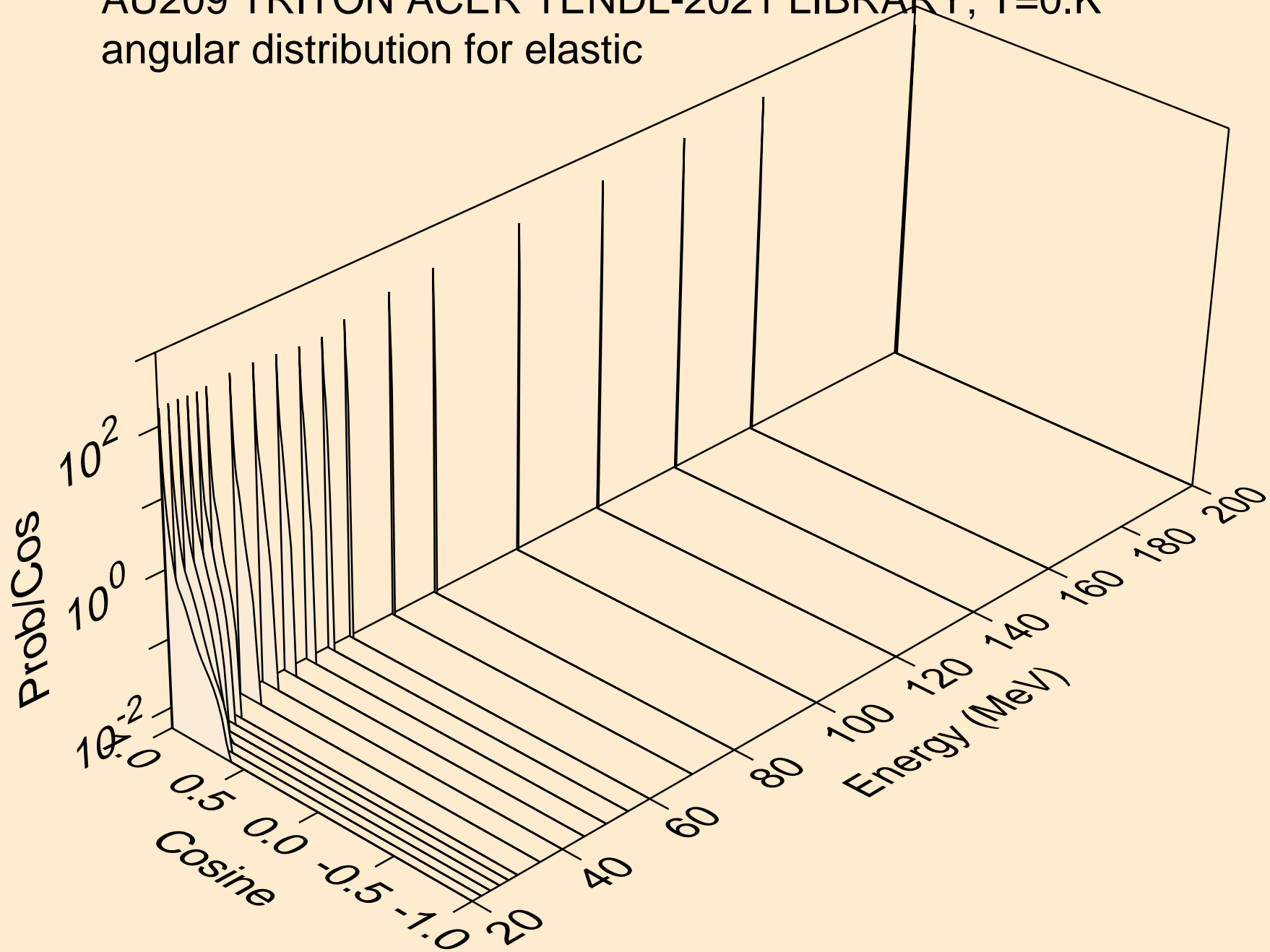
AU209 TRITON ACER TENDL-2021 LIBRARY; T=0.K
Threshold reactions



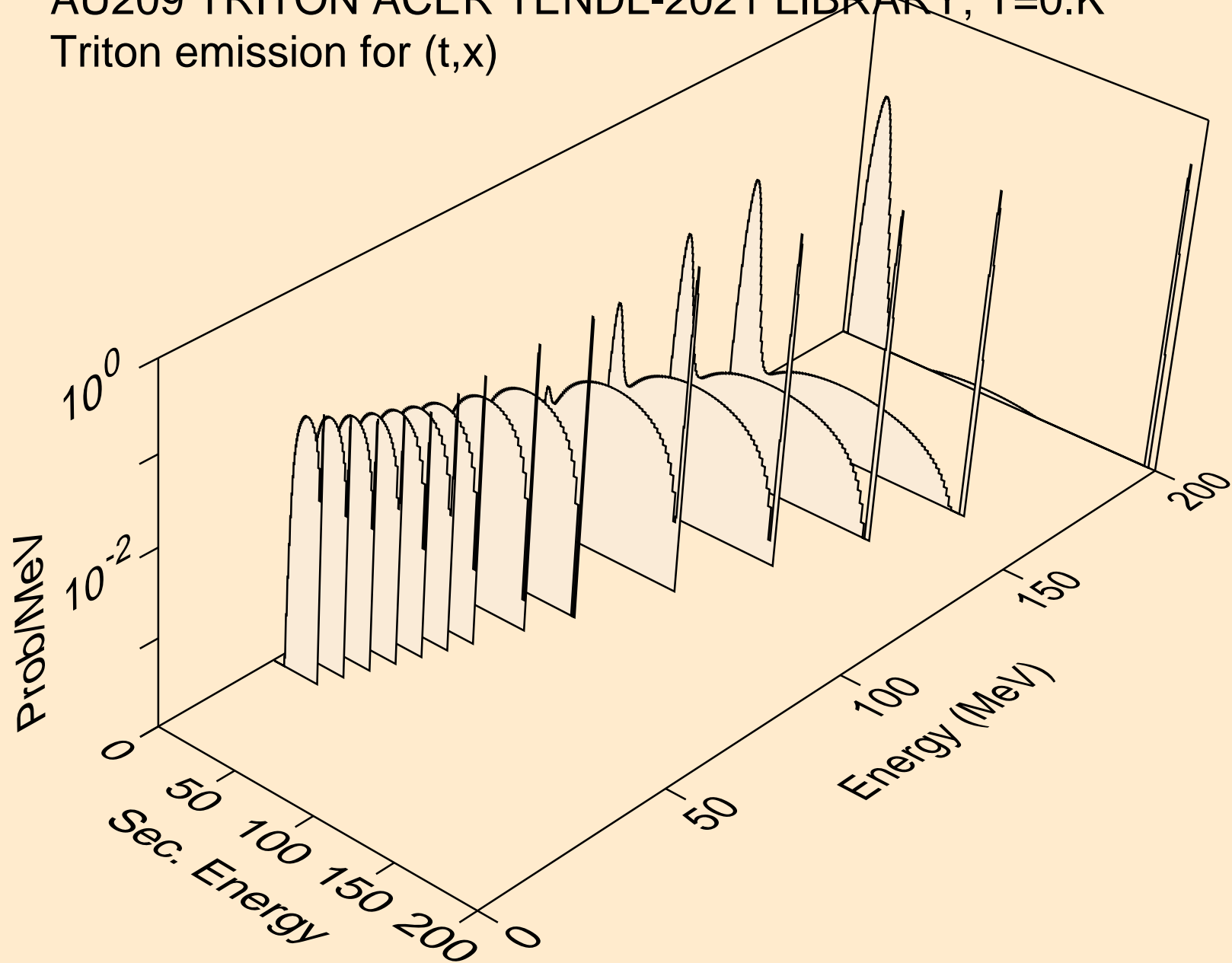
AU209 TRITON ACER TENDL-2021 LIBRARY; T=0.K
angular distribution for elastic



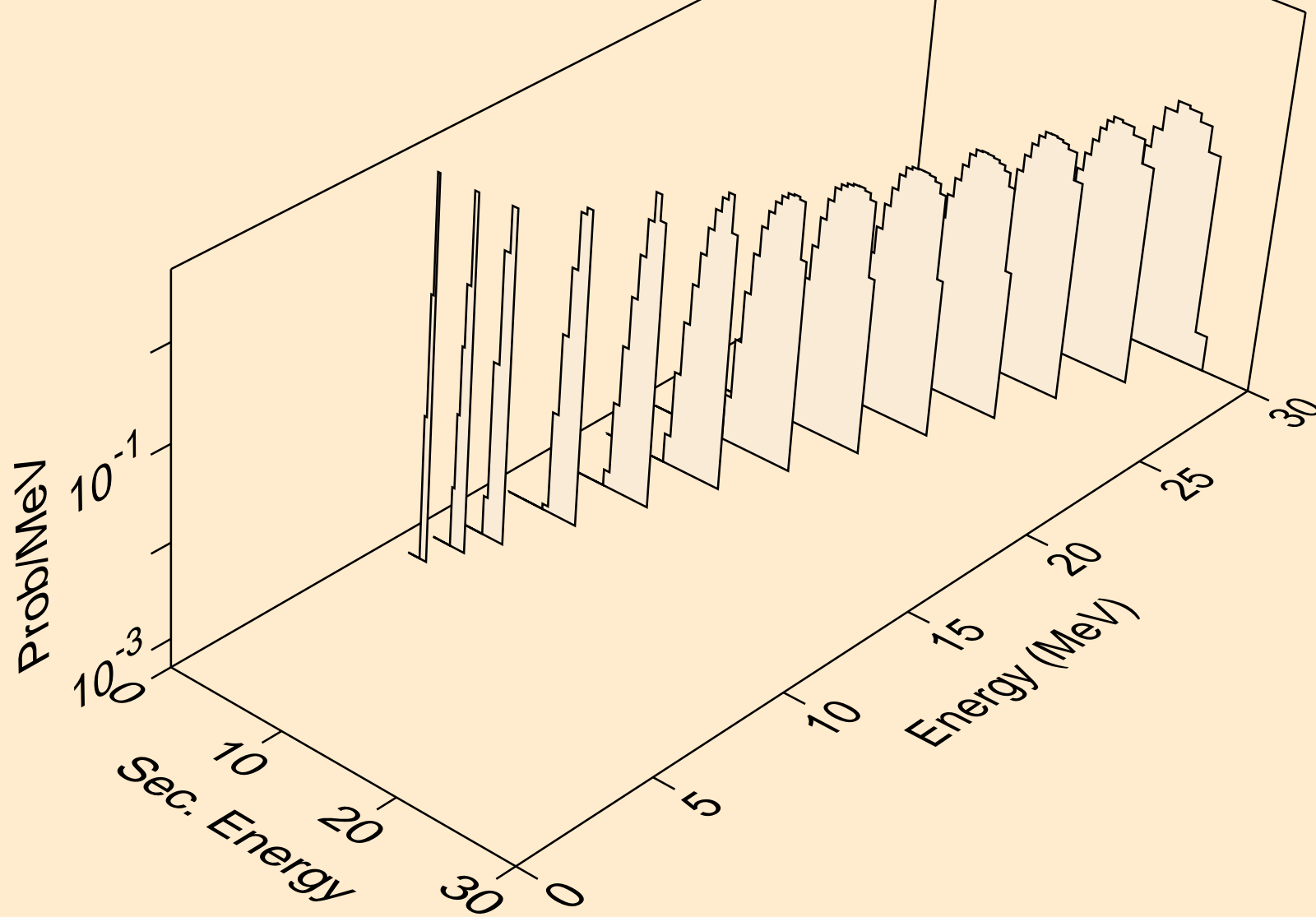
AU209 TRITON ACER TENDL-2021 LIBRARY; T=0.K
angular distribution for elastic



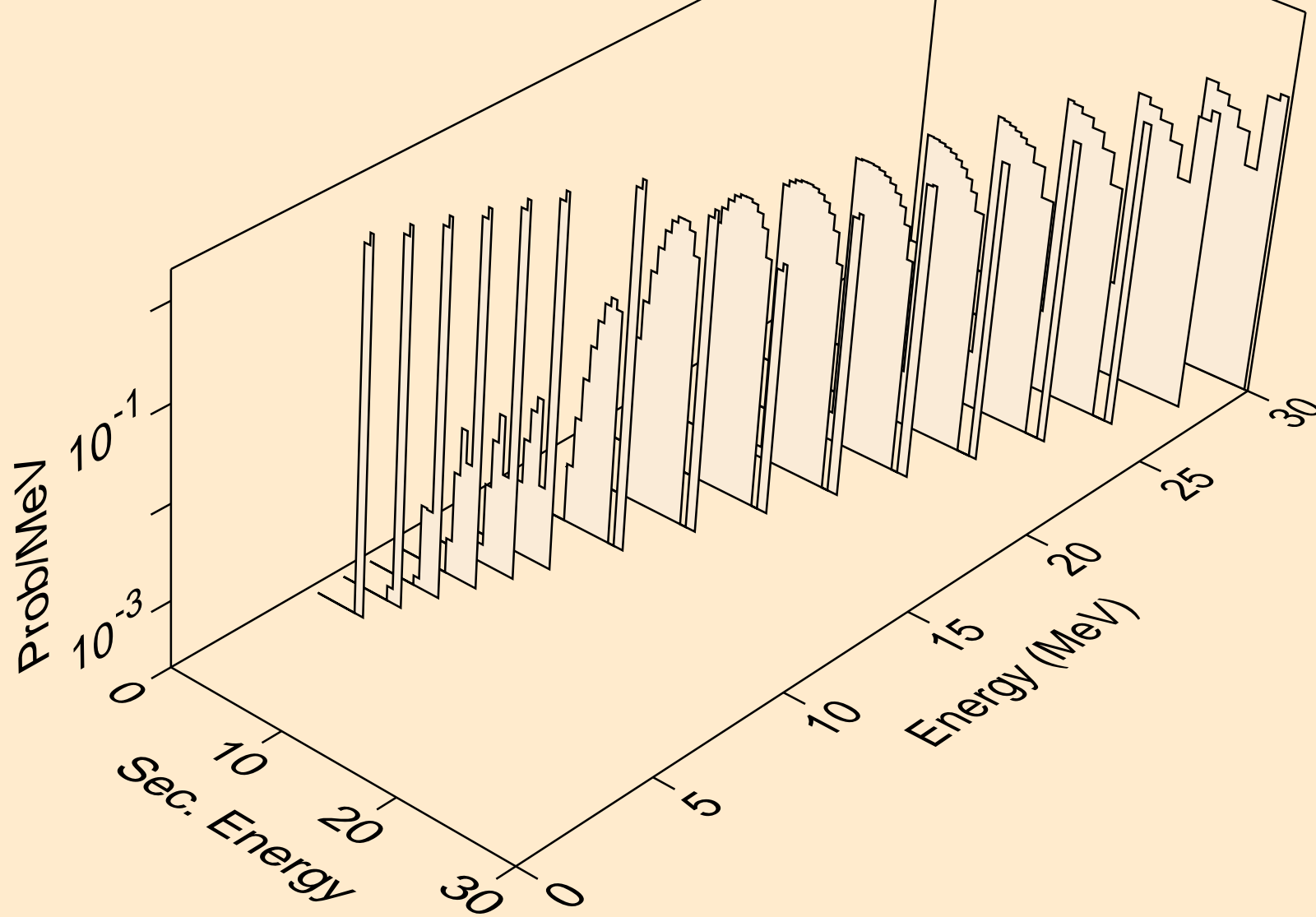
AU209 TRITON ACER TENDL-2021 LIBRARY; T=0.K
Triton emission for (t,x)



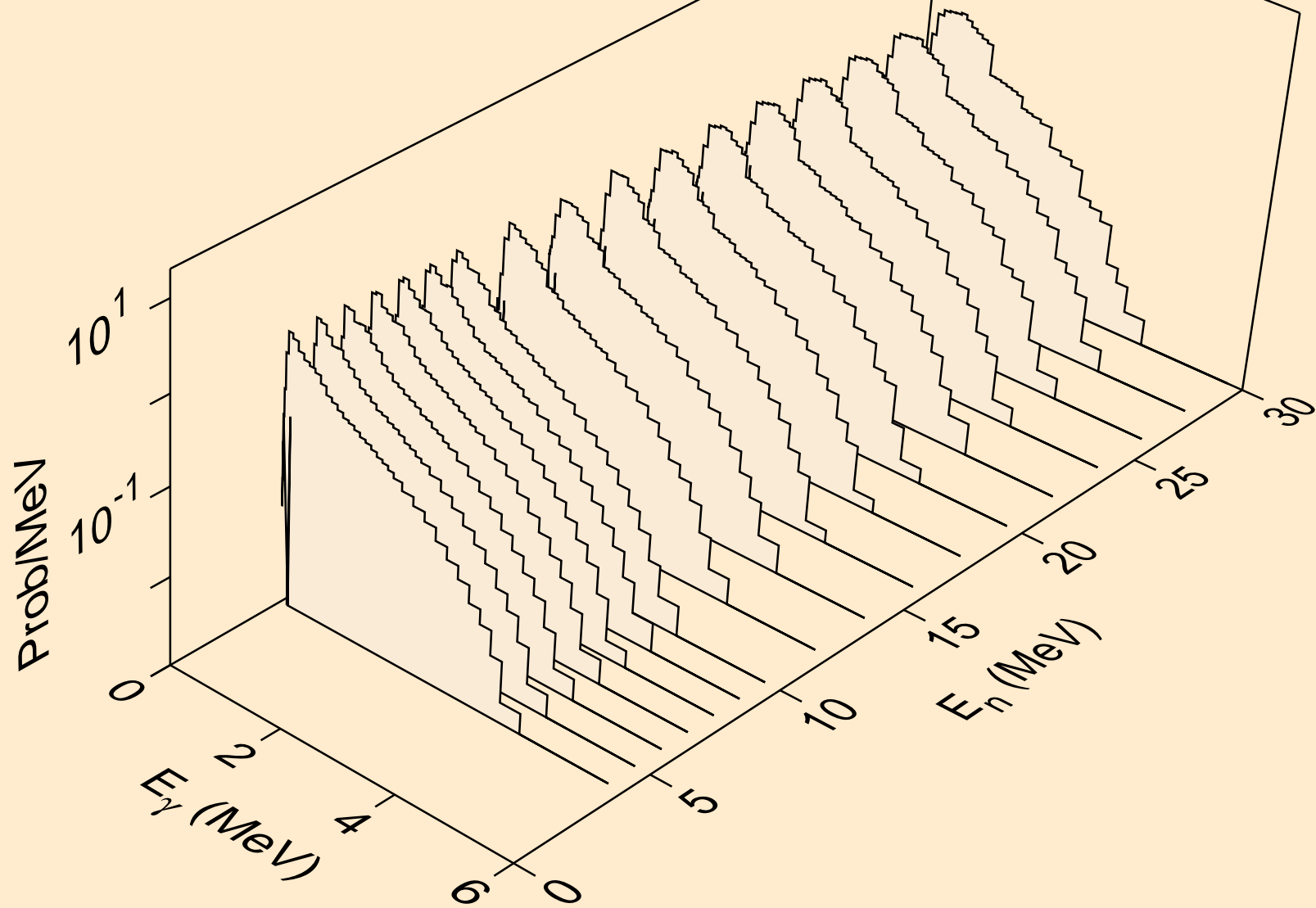
AU209 TRITON ACER TENDL-2021 LIBRARY; T=0.K
Triton emission for (t,n*)t



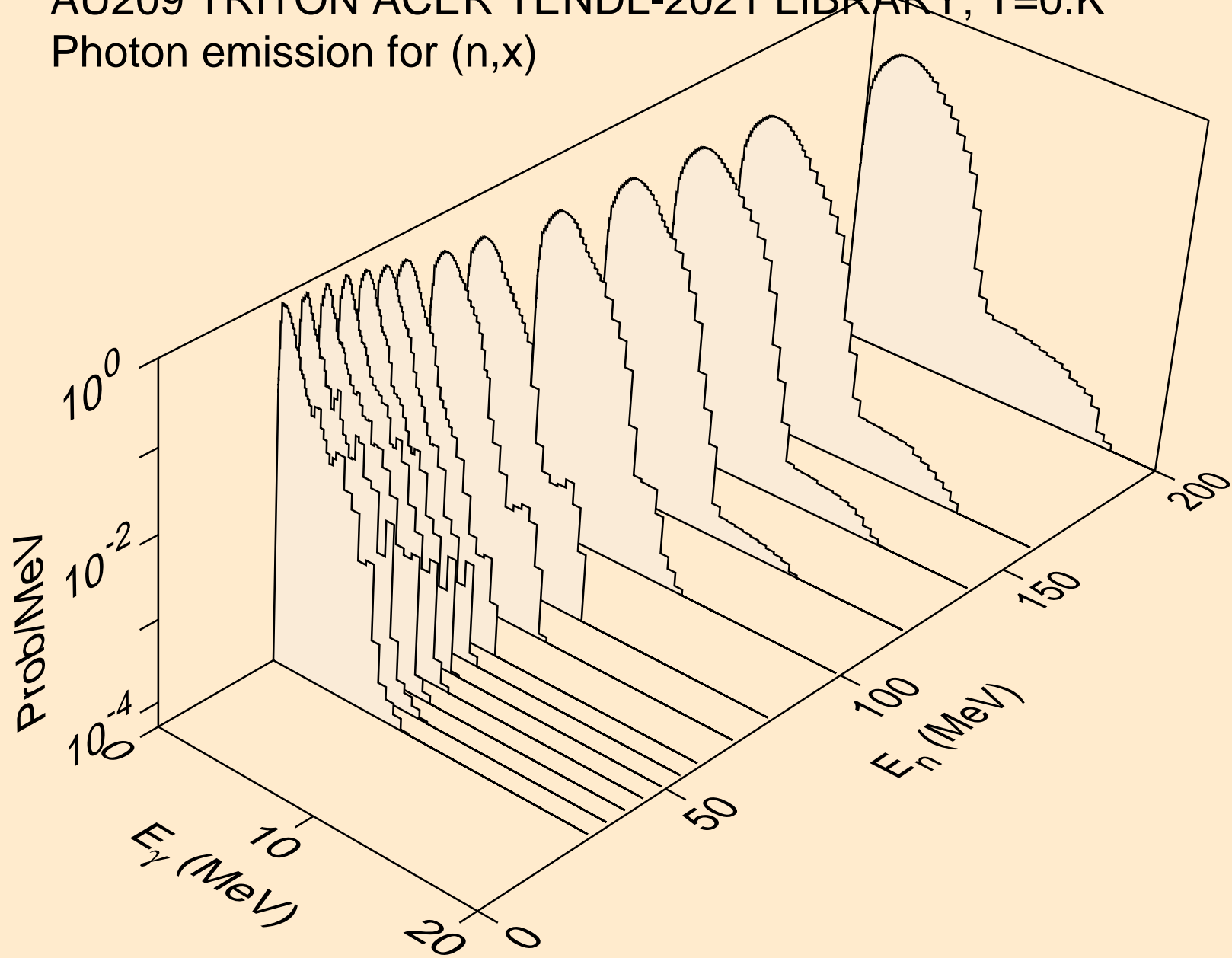
AU209 TRITON ACER TENDL-2021 LIBRARY; T=0.K
Triton emission for inelastic



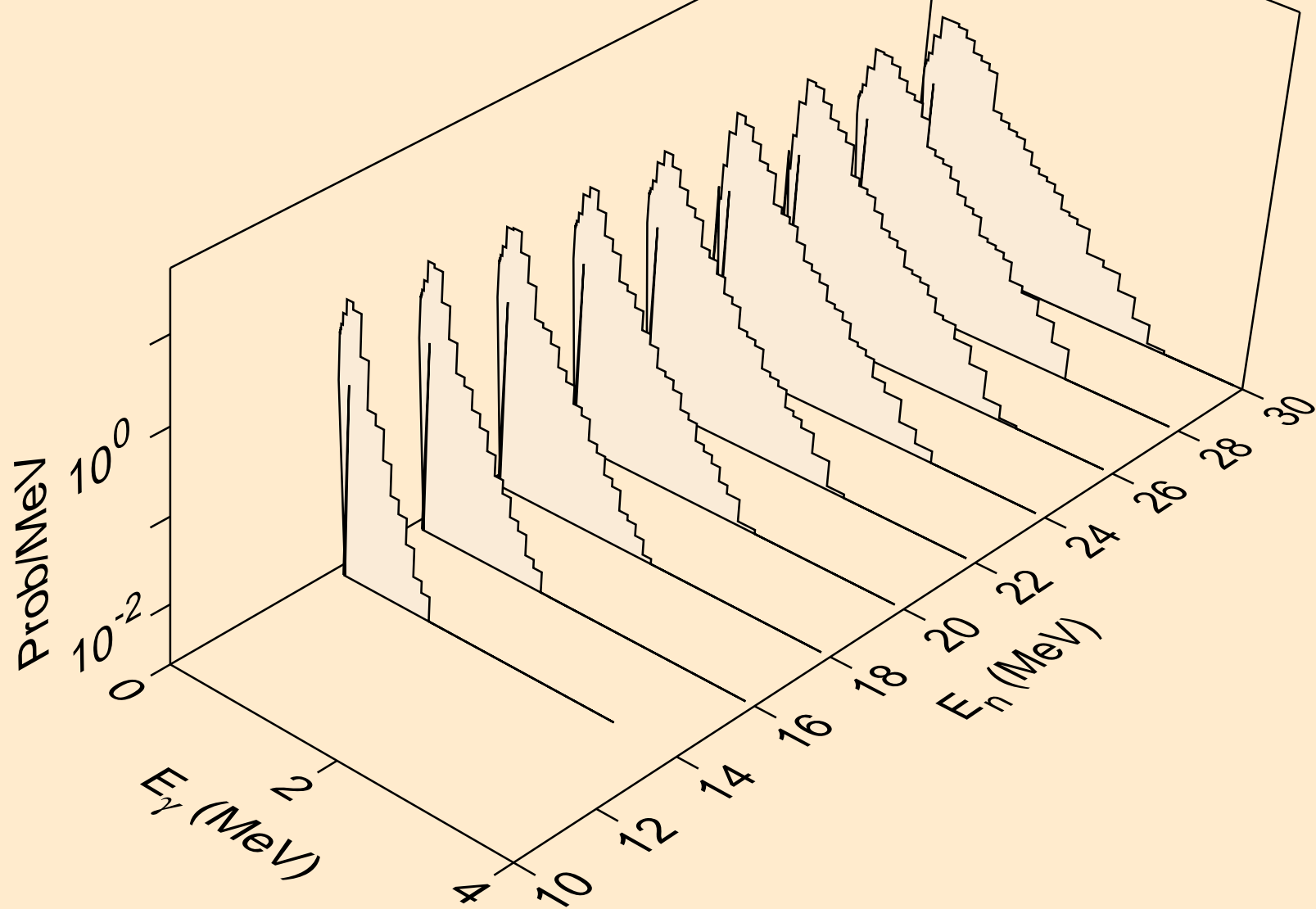
AU209 TRITON ACER TENDL-2021 LIBRARY; T=0.K
Photon emission for (z,n)



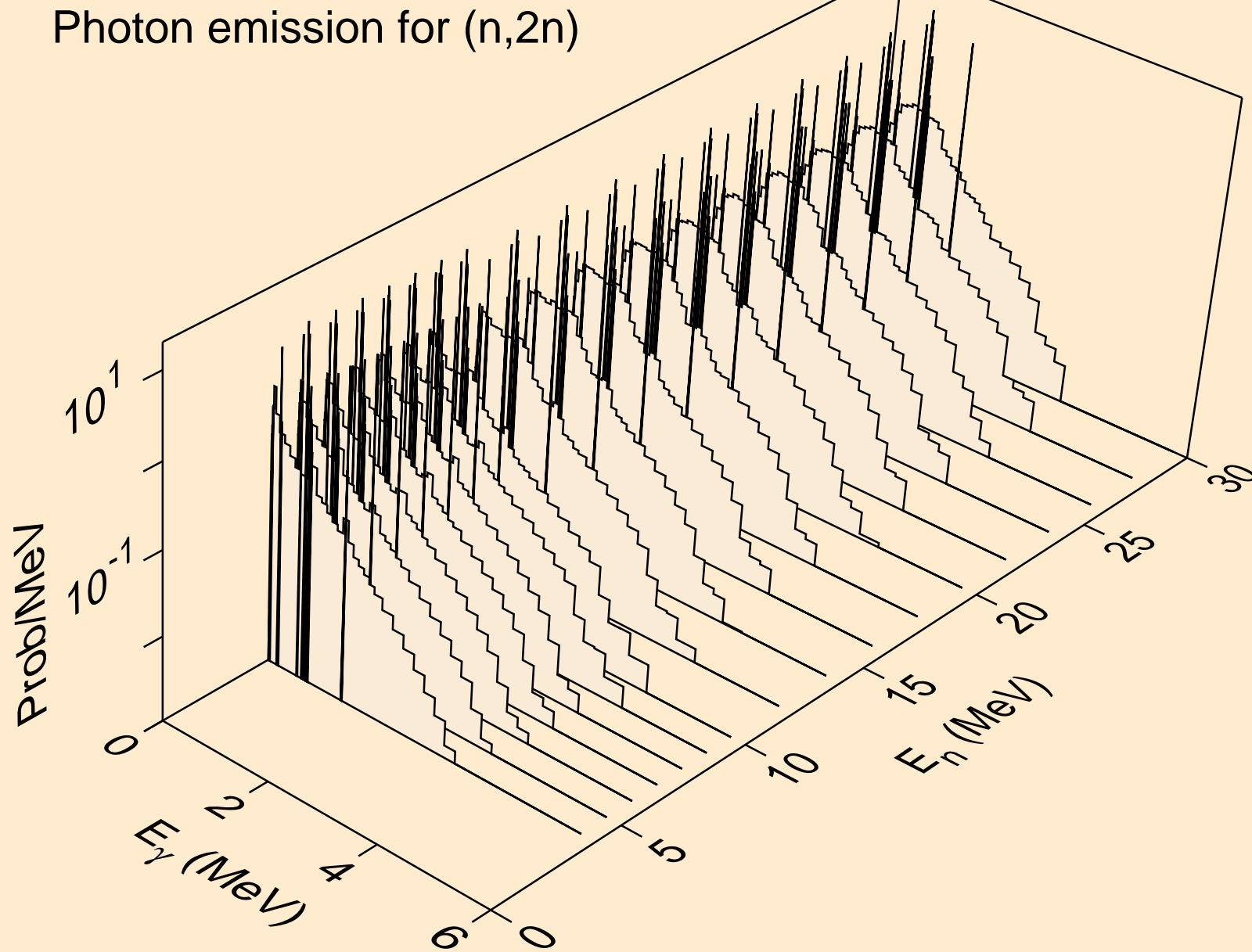
AU209 TRITON ACER TENDL-2021 LIBRARY; T=0.K
Photon emission for (n,x)



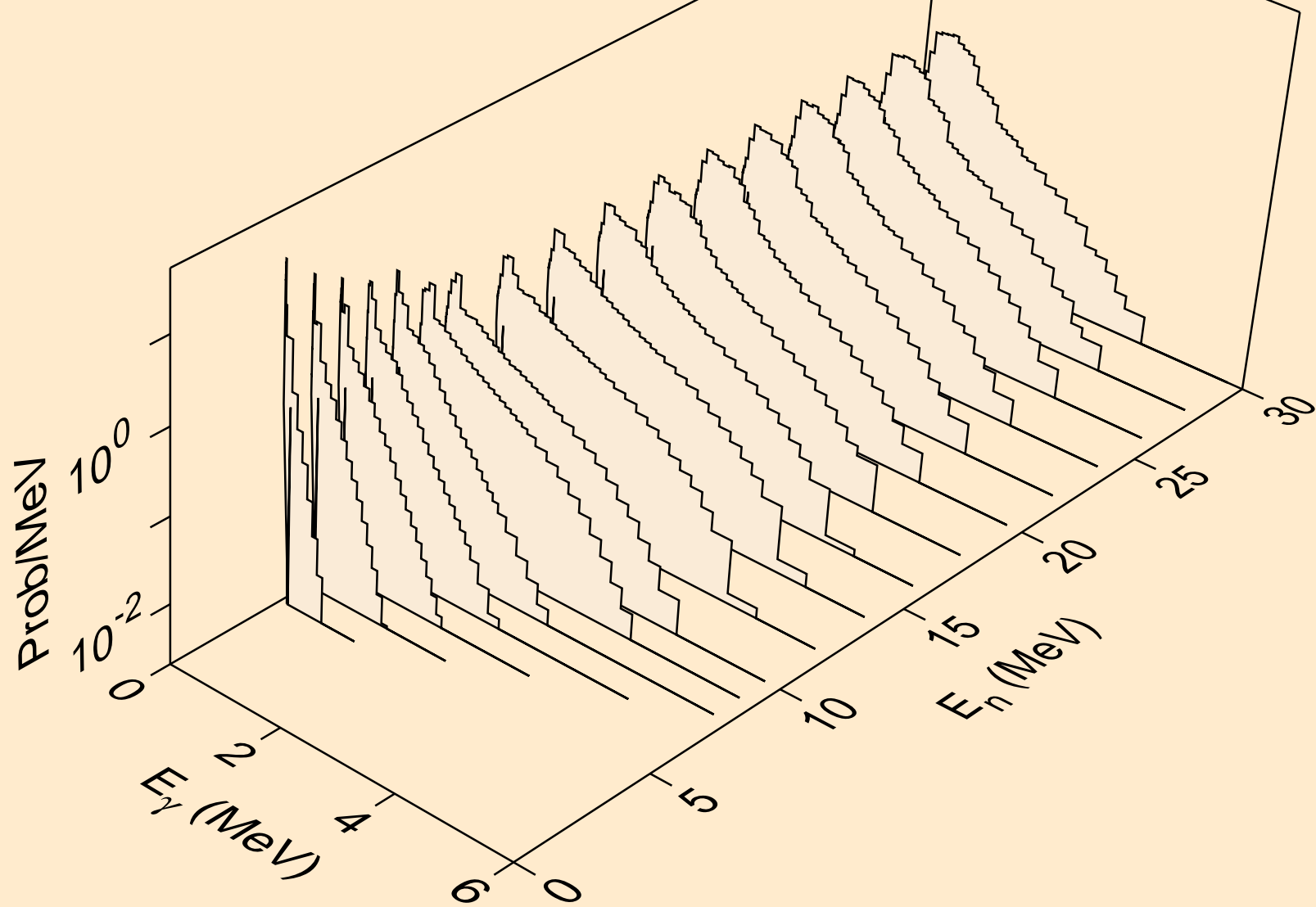
AU209 TRITON ACER TENDL-2021 LIBRARY; T=0.K
Photon emission for (n,2nd)



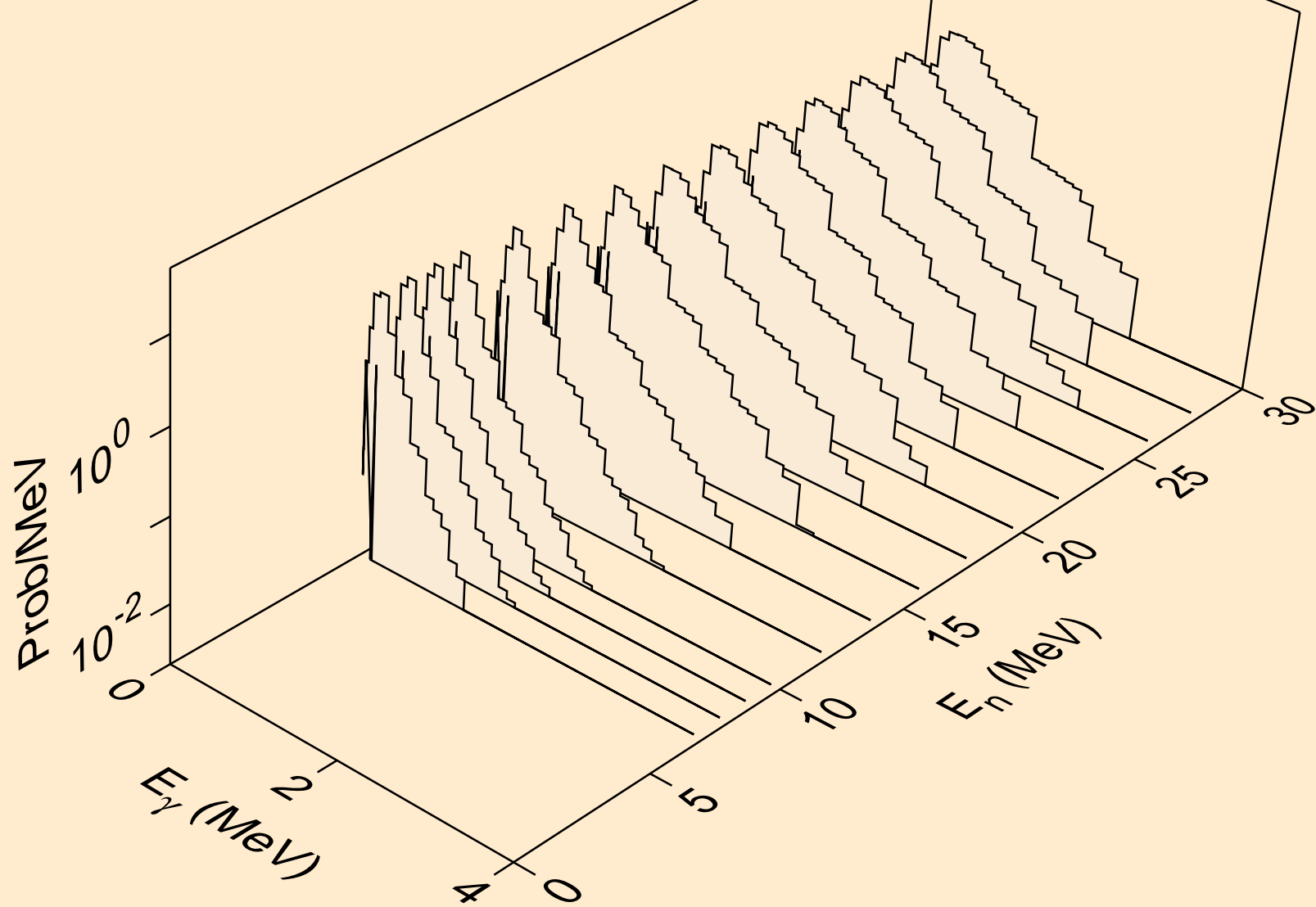
AU209 TRITON ACER TENDL-2021 LIBRARY; T=0.K
Photon emission for (n,2n)



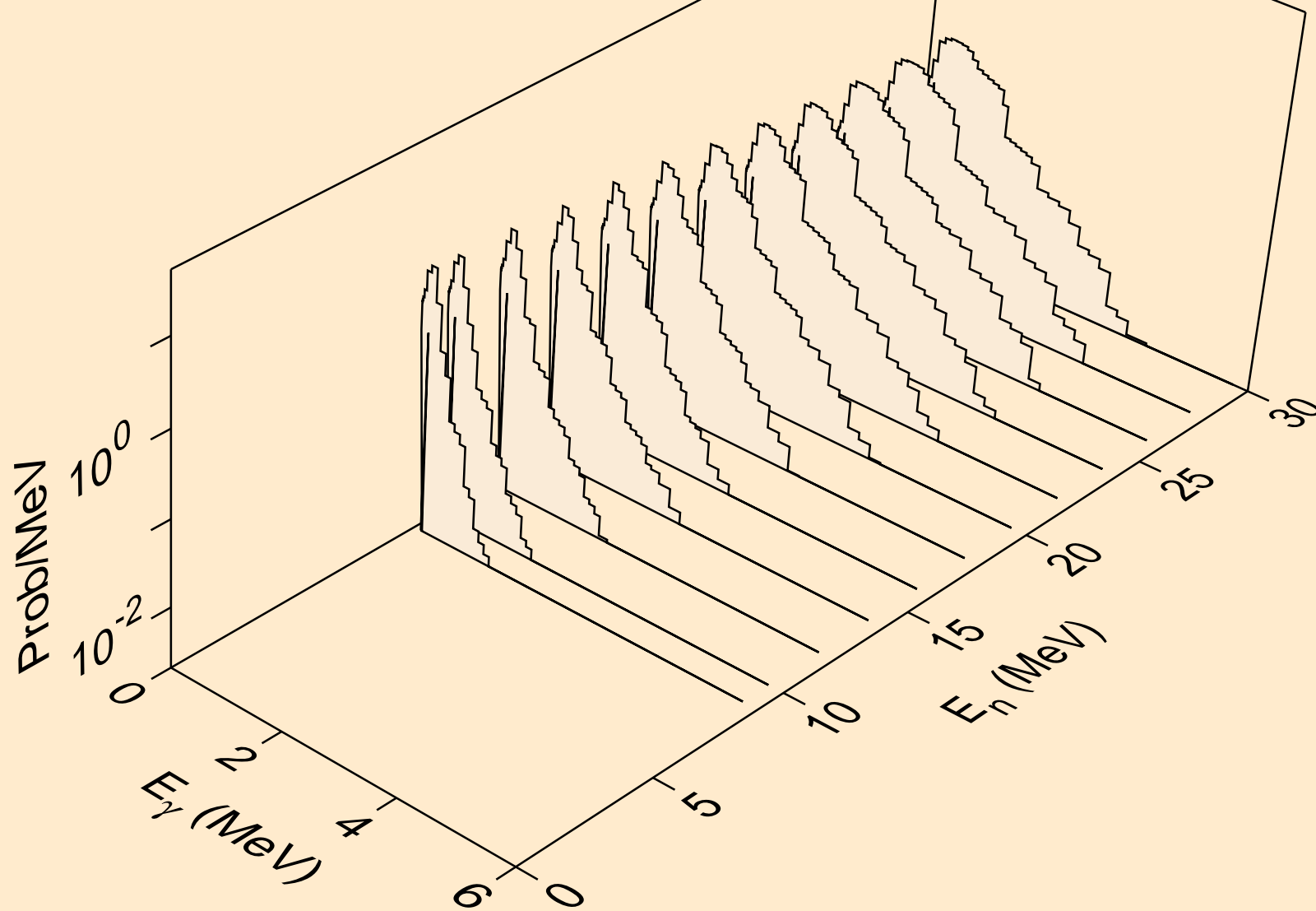
AU209 TRITON ACER TENDL-2021 LIBRARY; T=0.K
Photon emission for (n,3n)



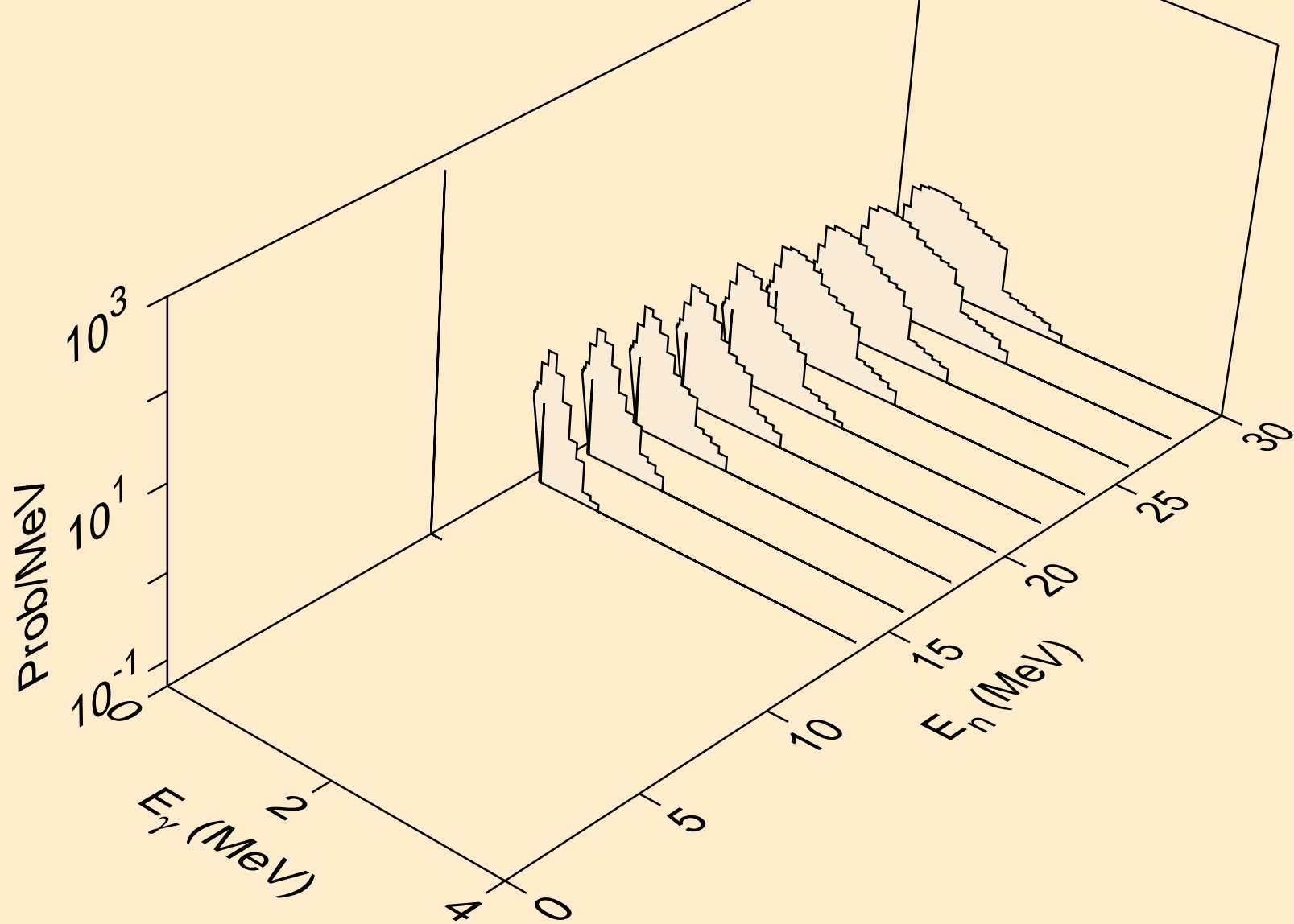
AU209 TRITON ACER TENDL-2021 LIBRARY; T=0.K
Photon emission for (n,n*)a



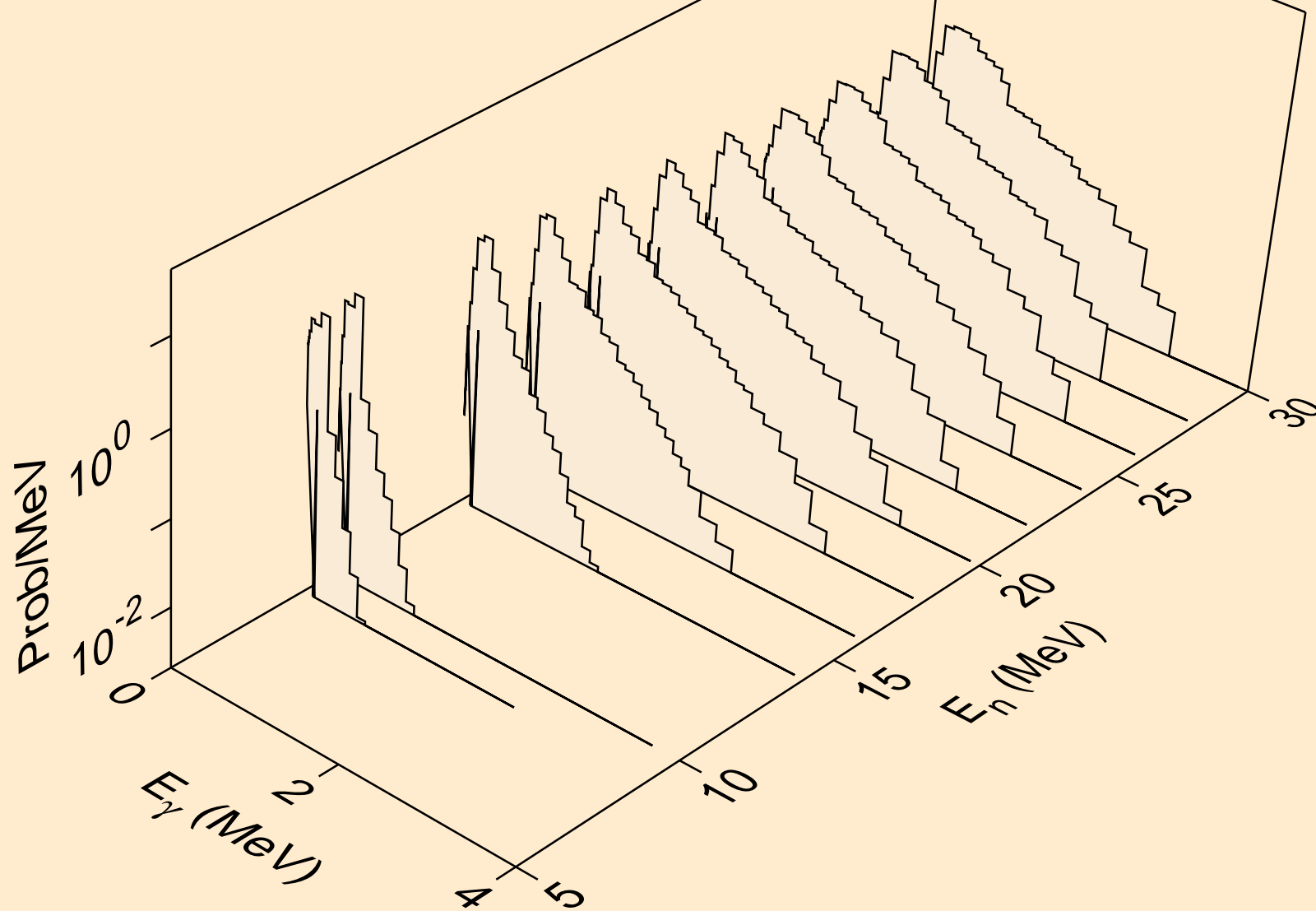
AU209 TRITON ACER TENDL-2021 LIBRARY; T=0.K
Photon emission for (n,2n)a



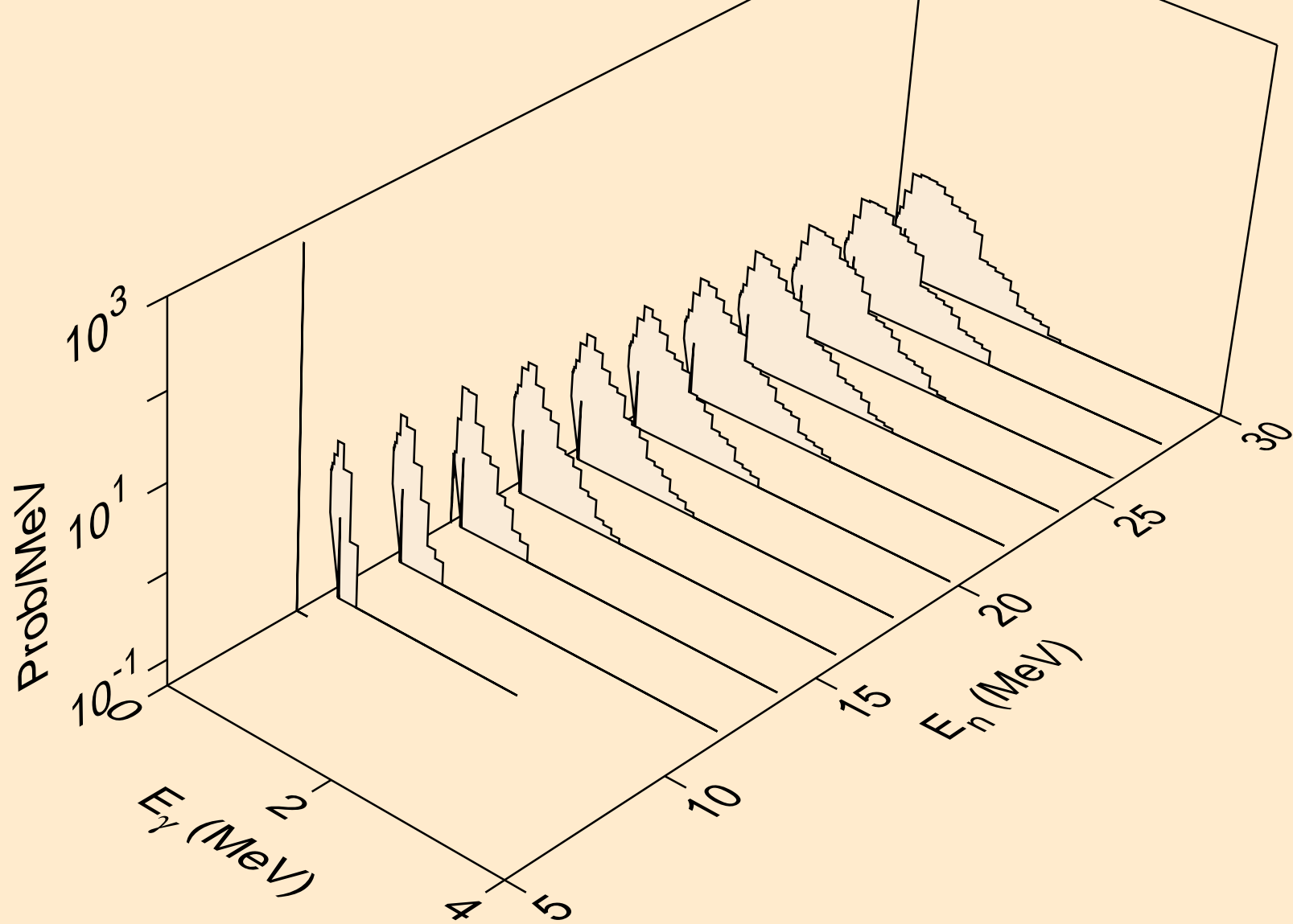
AU209 TRITON ACER TENDL-2021 LIBRARY; T=0.K
Photon emission for (n,3n) α



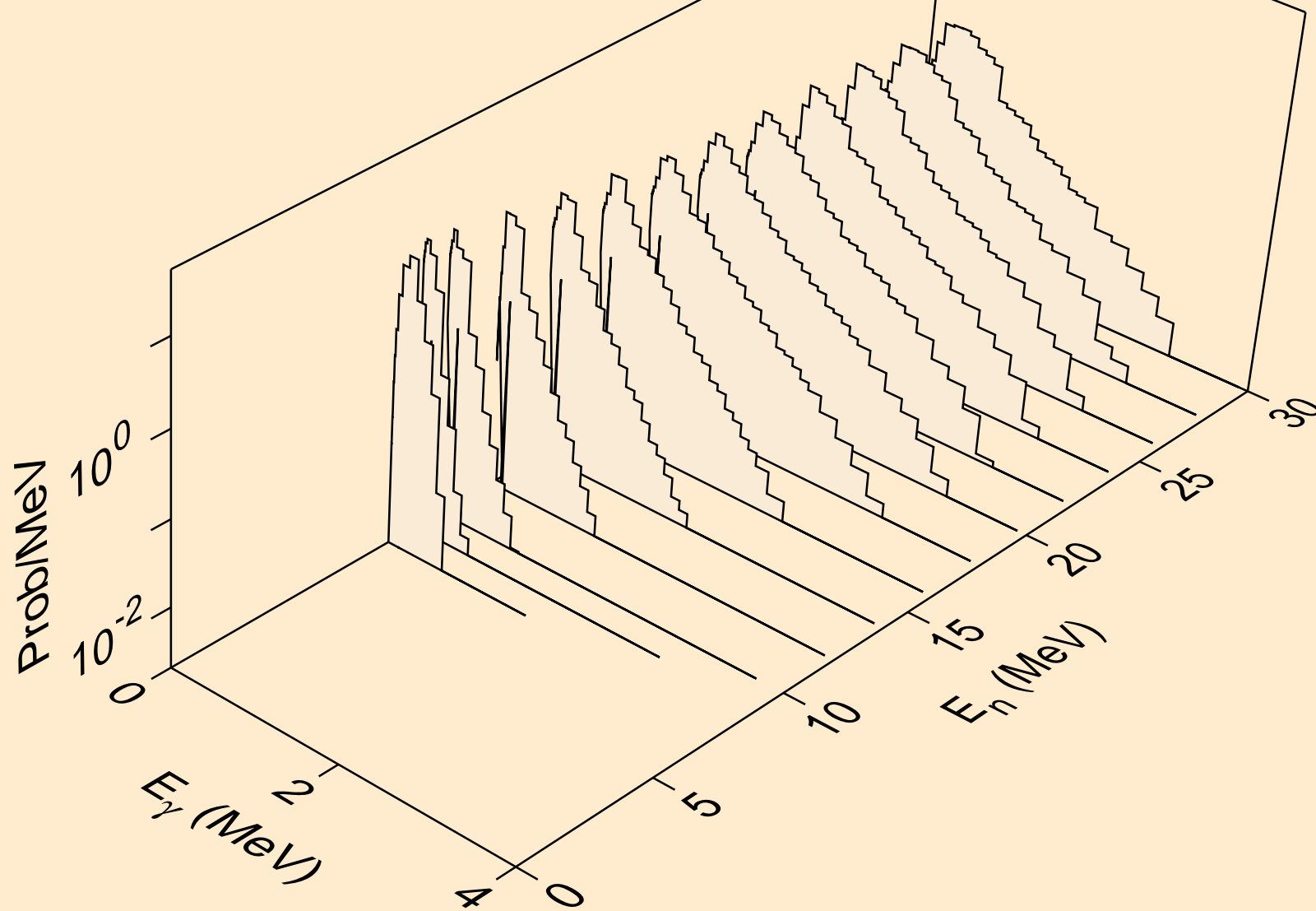
AU209 TRITON ACER TENDL-2021 LIBRARY; T=0.K
Photon emission for (n,n*)p



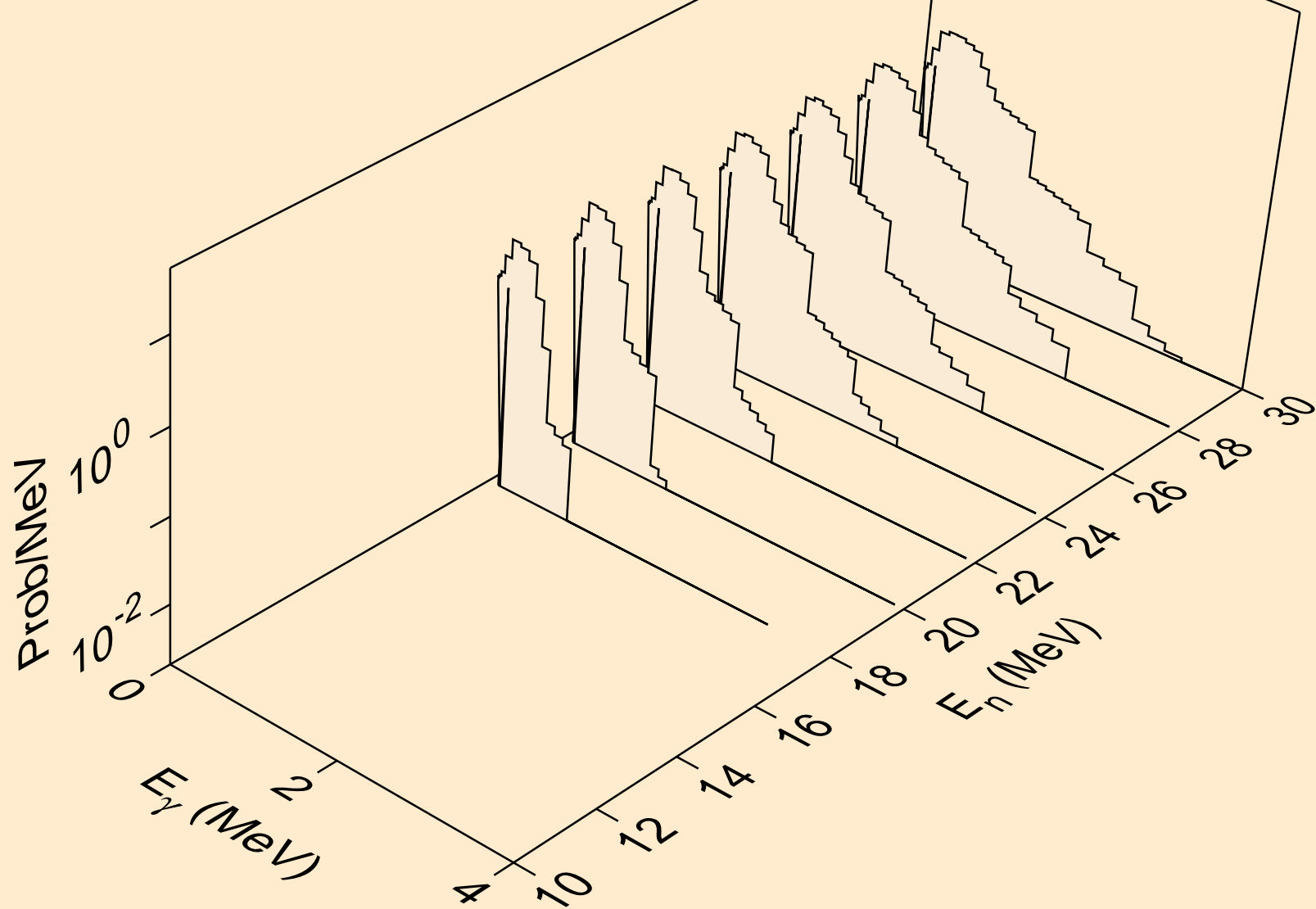
AU209 TRITON ACER TENDL-2021 LIBRARY; T=0.K
Photon emission for (n,n*)d



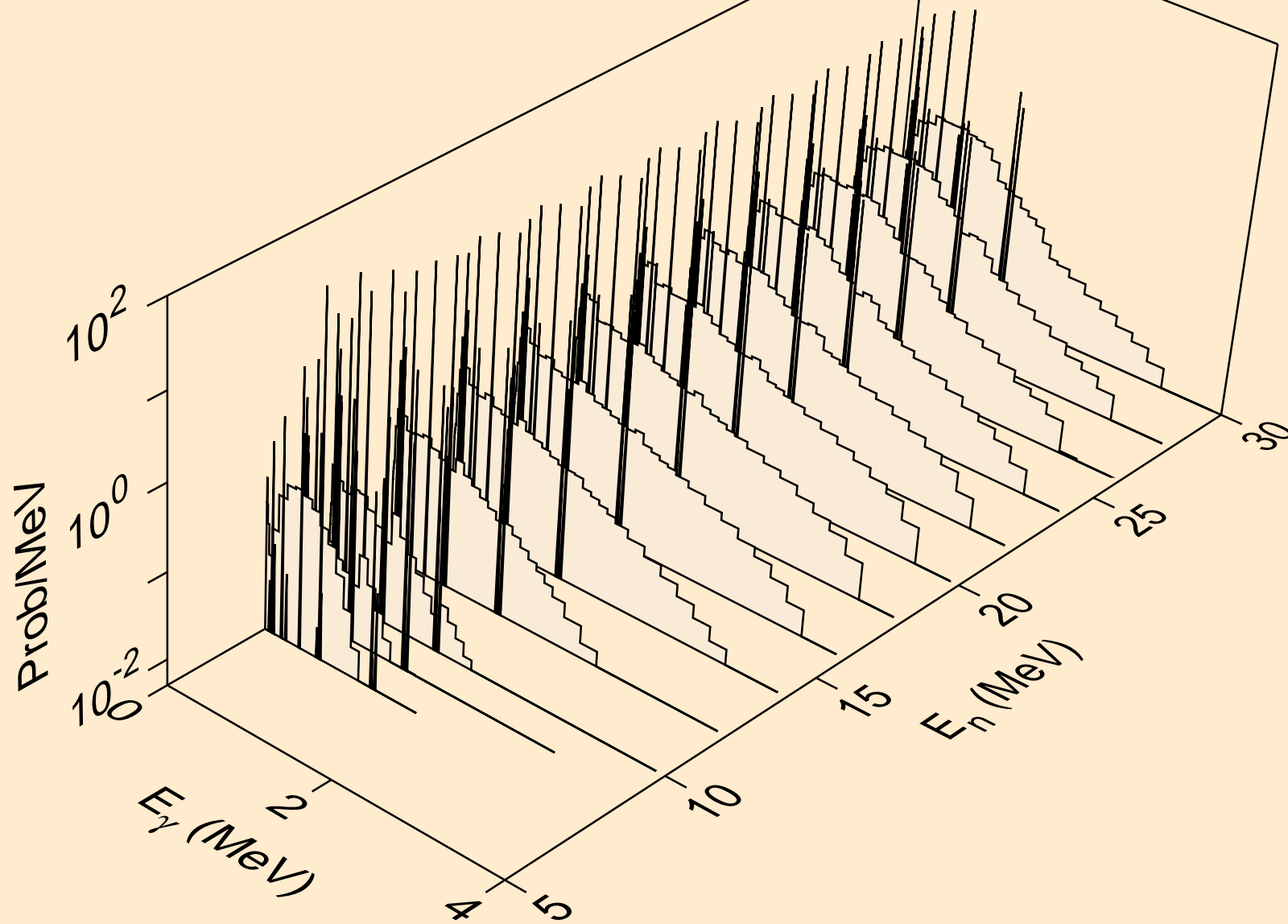
AU209 TRITON ACER TENDL-2021 LIBRARY; T=0.K
Photon emission for (n,n*)t



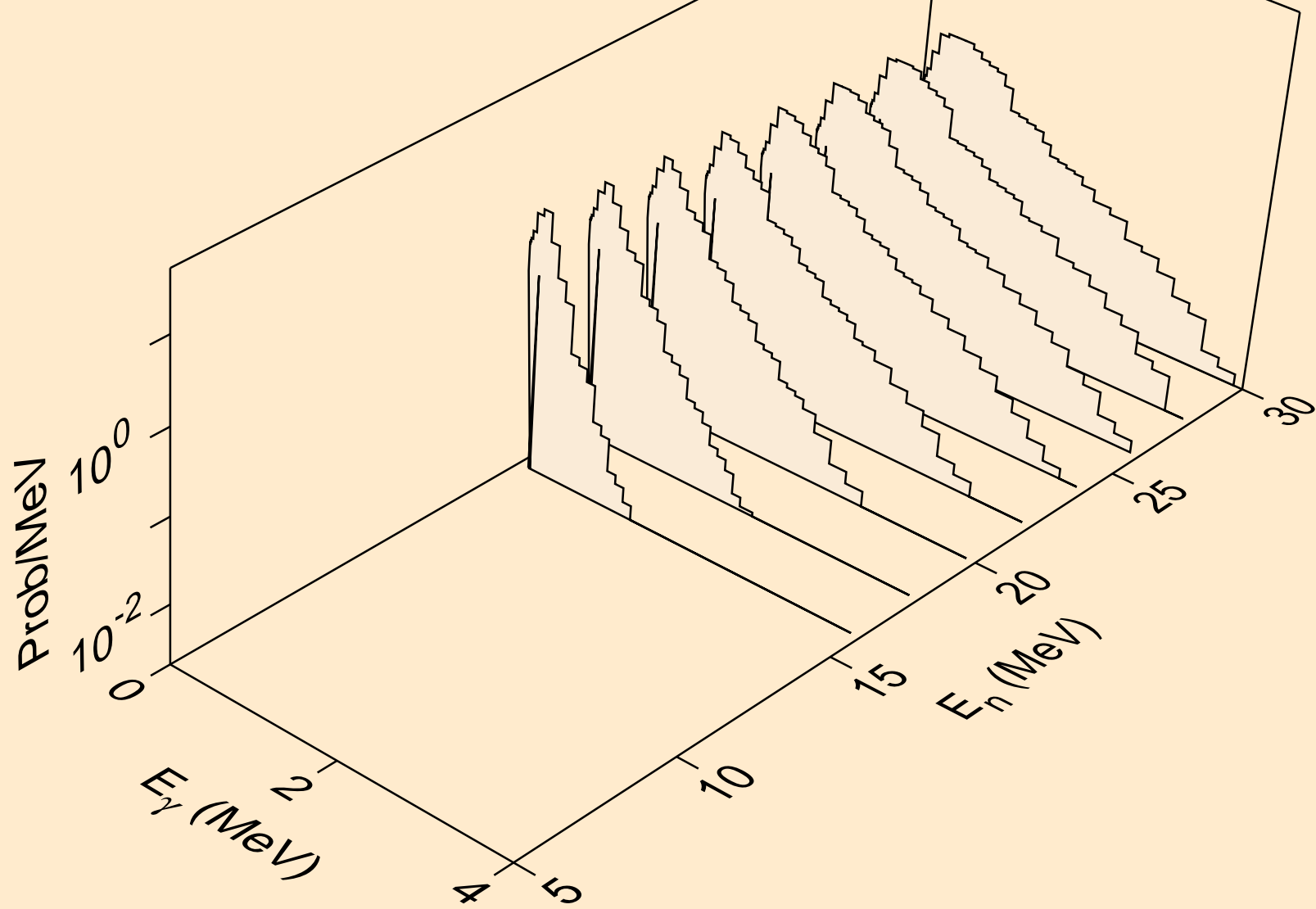
AU209 TRITON ACER TENDL-2021 LIBRARY; T=0.K
Photon emission for (n,n*)he3



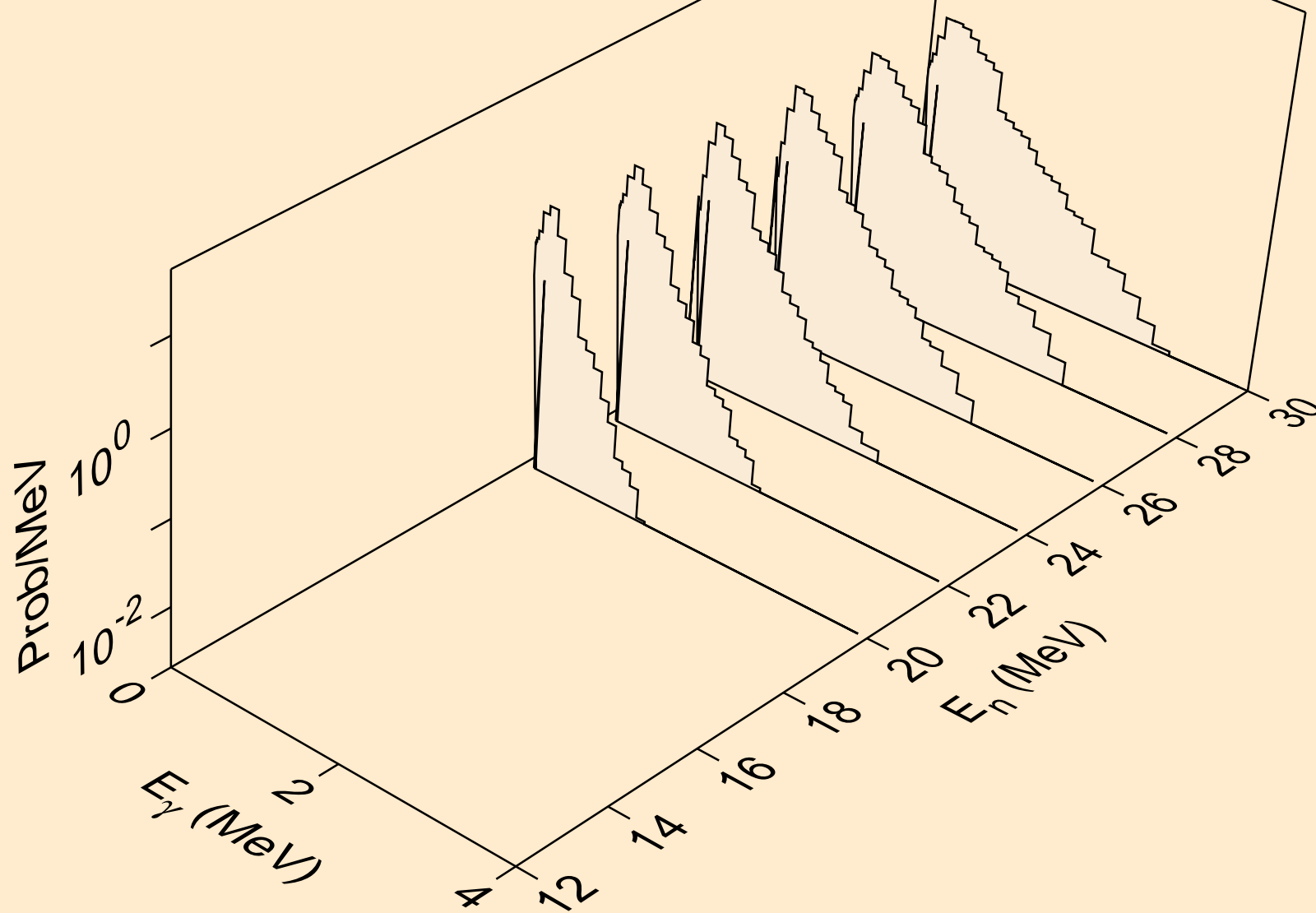
AU209 TRITON ACER TENDL-2021 LIBRARY; T=0.K
Photon emission for (n,4n)



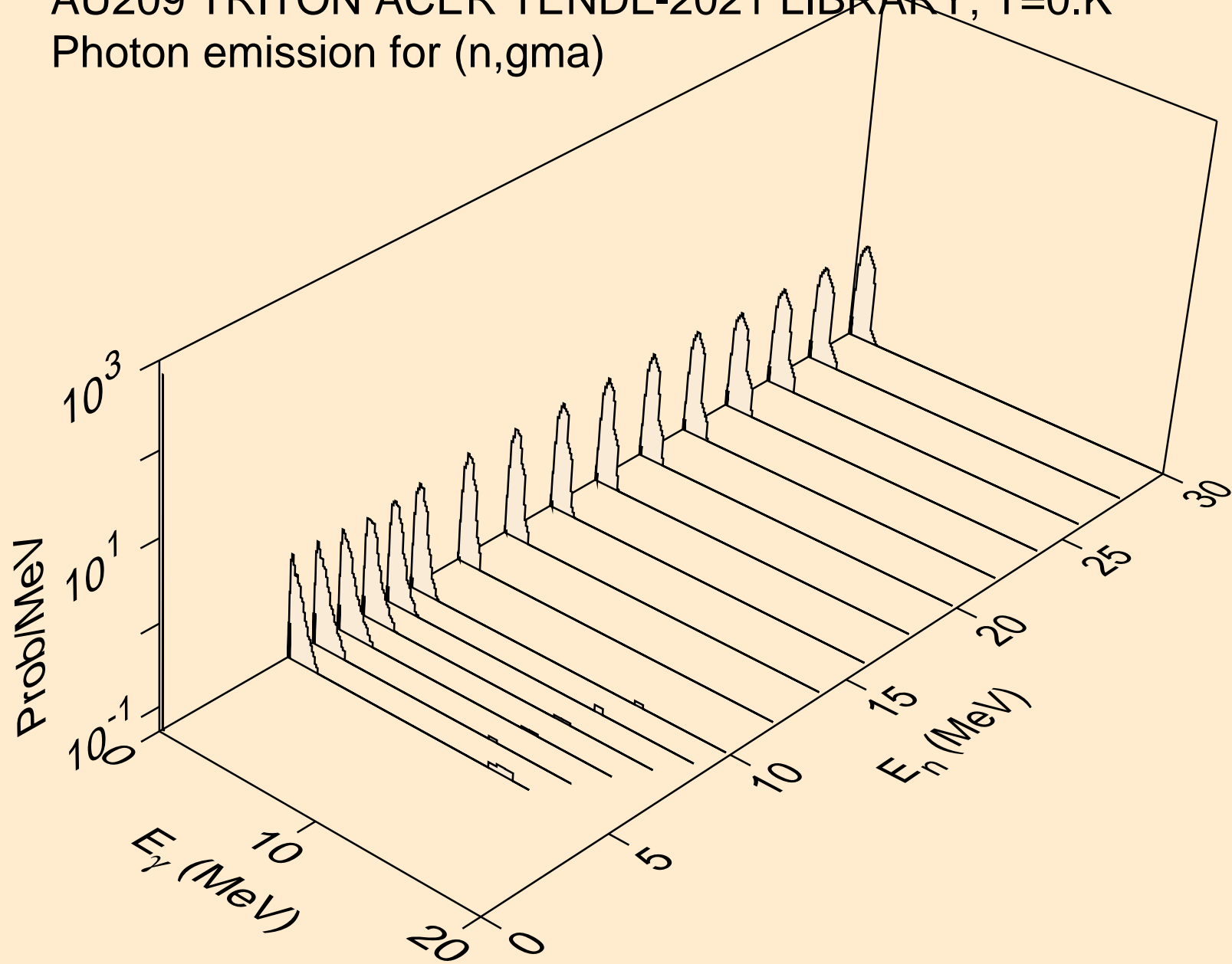
AU209 TRITON ACER TENDL-2021 LIBRARY; T=0.K
Photon emission for (n,2np)



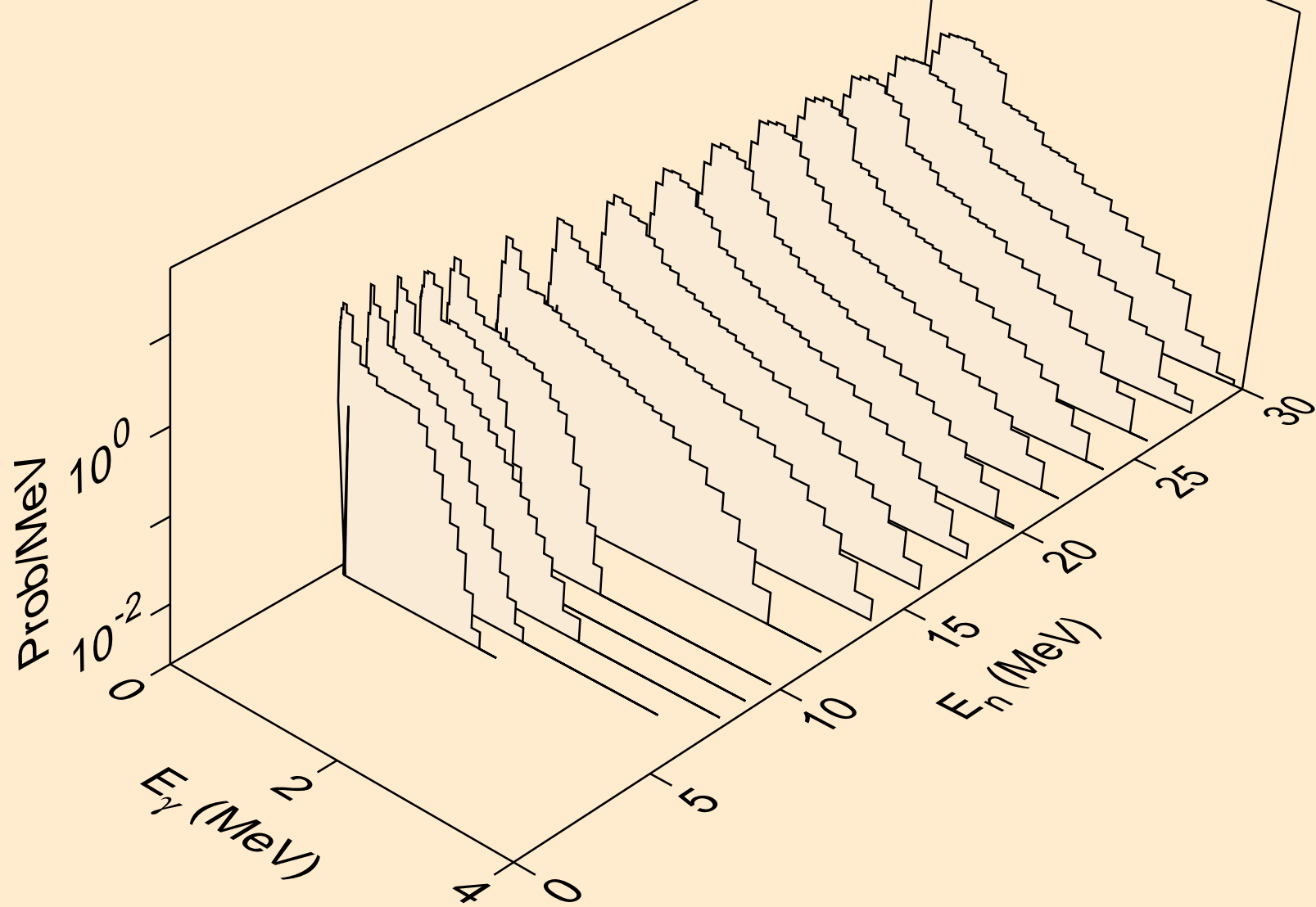
AU209 TRITON ACER TENDL-2021 LIBRARY; T=0.K
Photon emission for (n,3np)



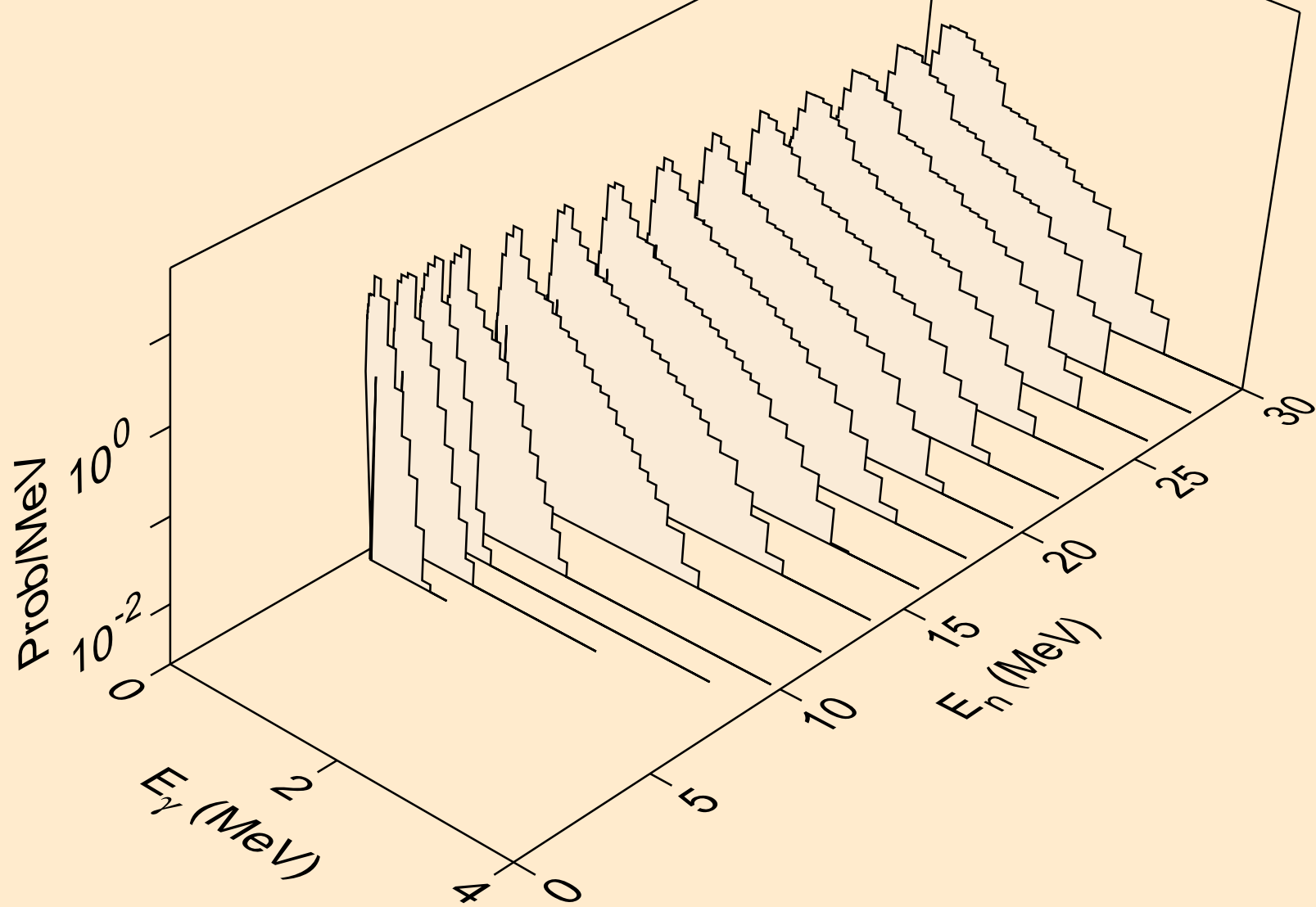
AU209 TRITON ACER TENDL-2021 LIBRARY; T=0.K
Photon emission for (n,gma)



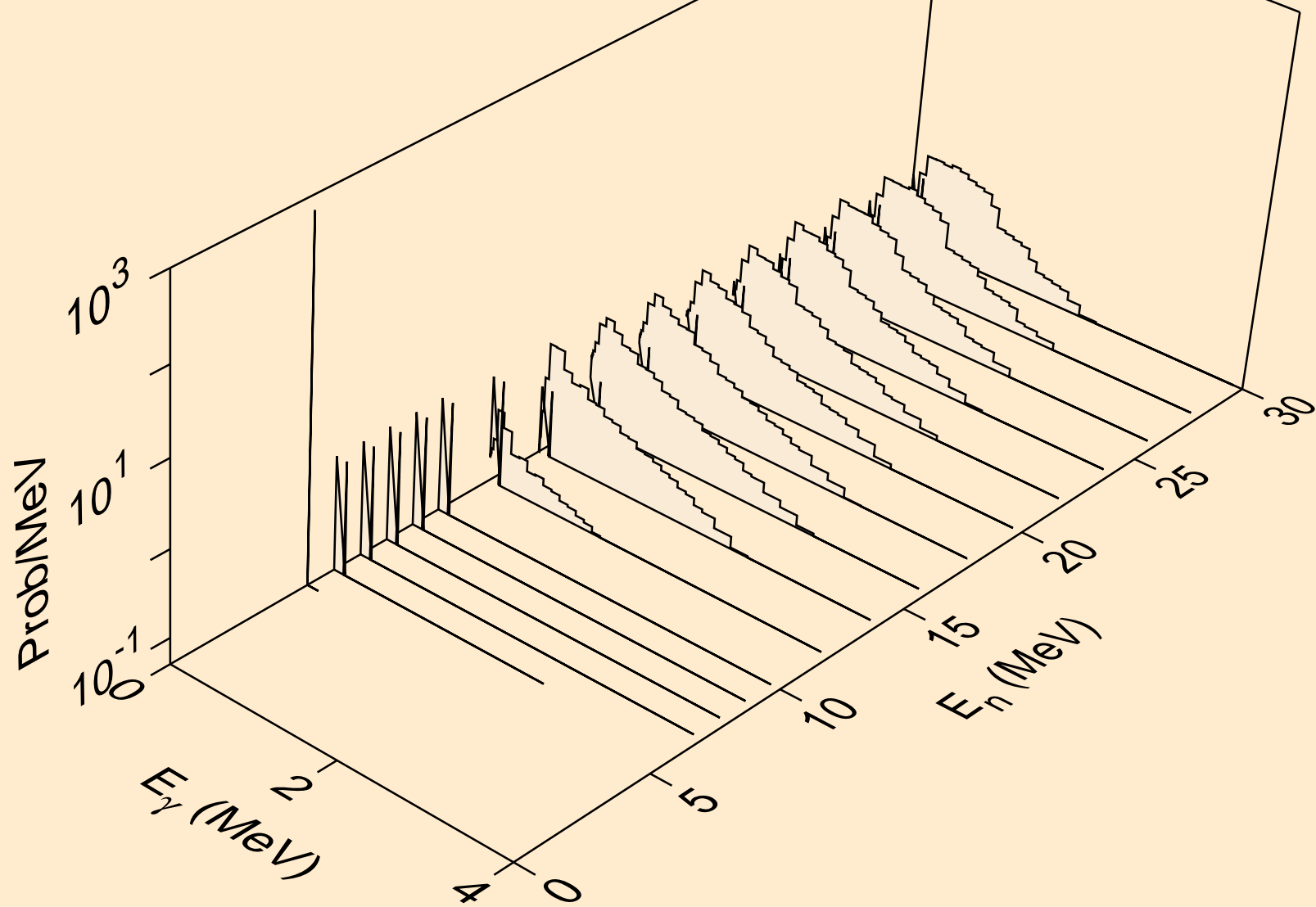
AU209 TRITON ACER TENDL-2021 LIBRARY; T=0.K
Photon emission for (n,p)



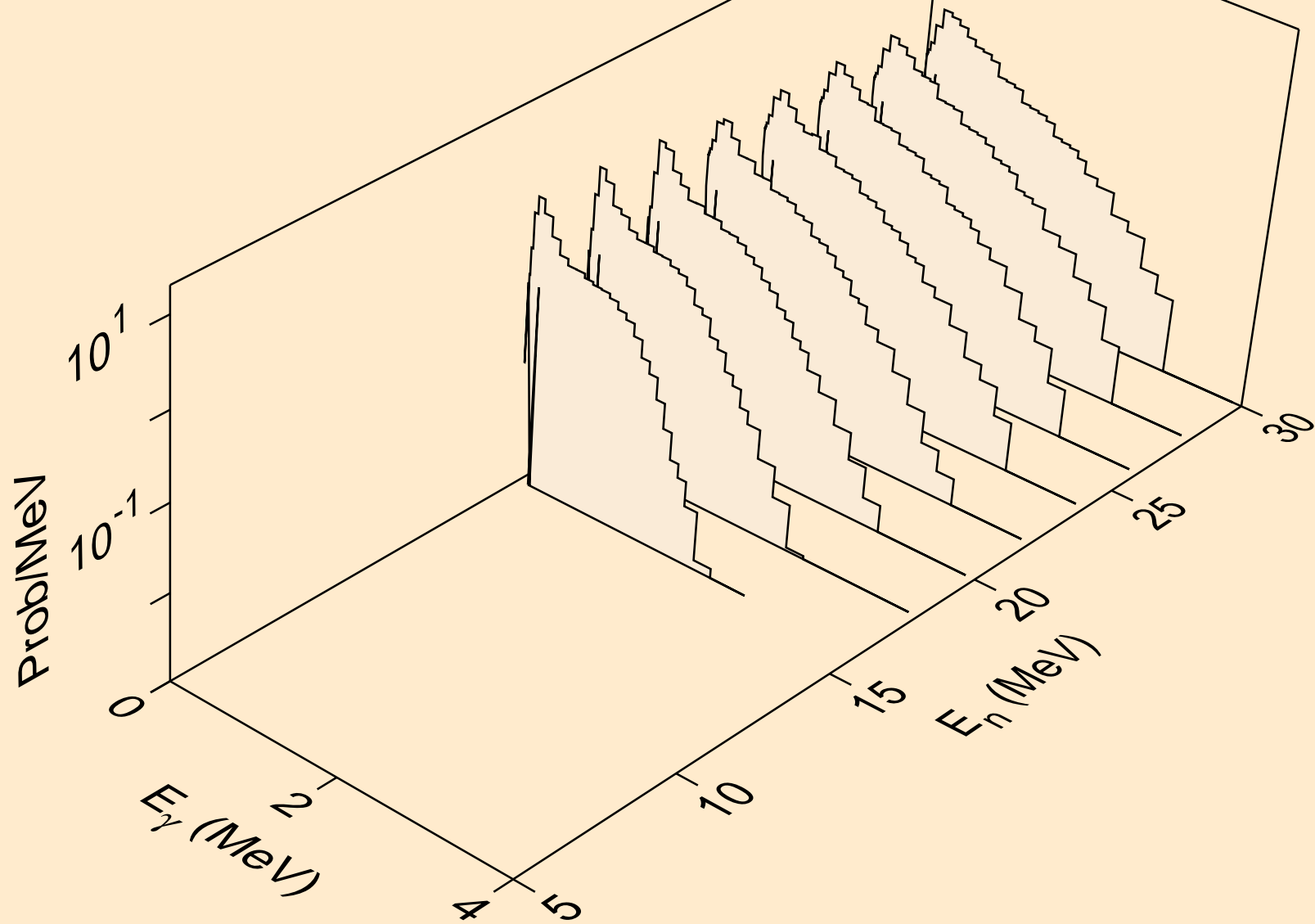
AU209 TRITON ACER TENDL-2021 LIBRARY; T=0.K
Photon emission for (n,d)



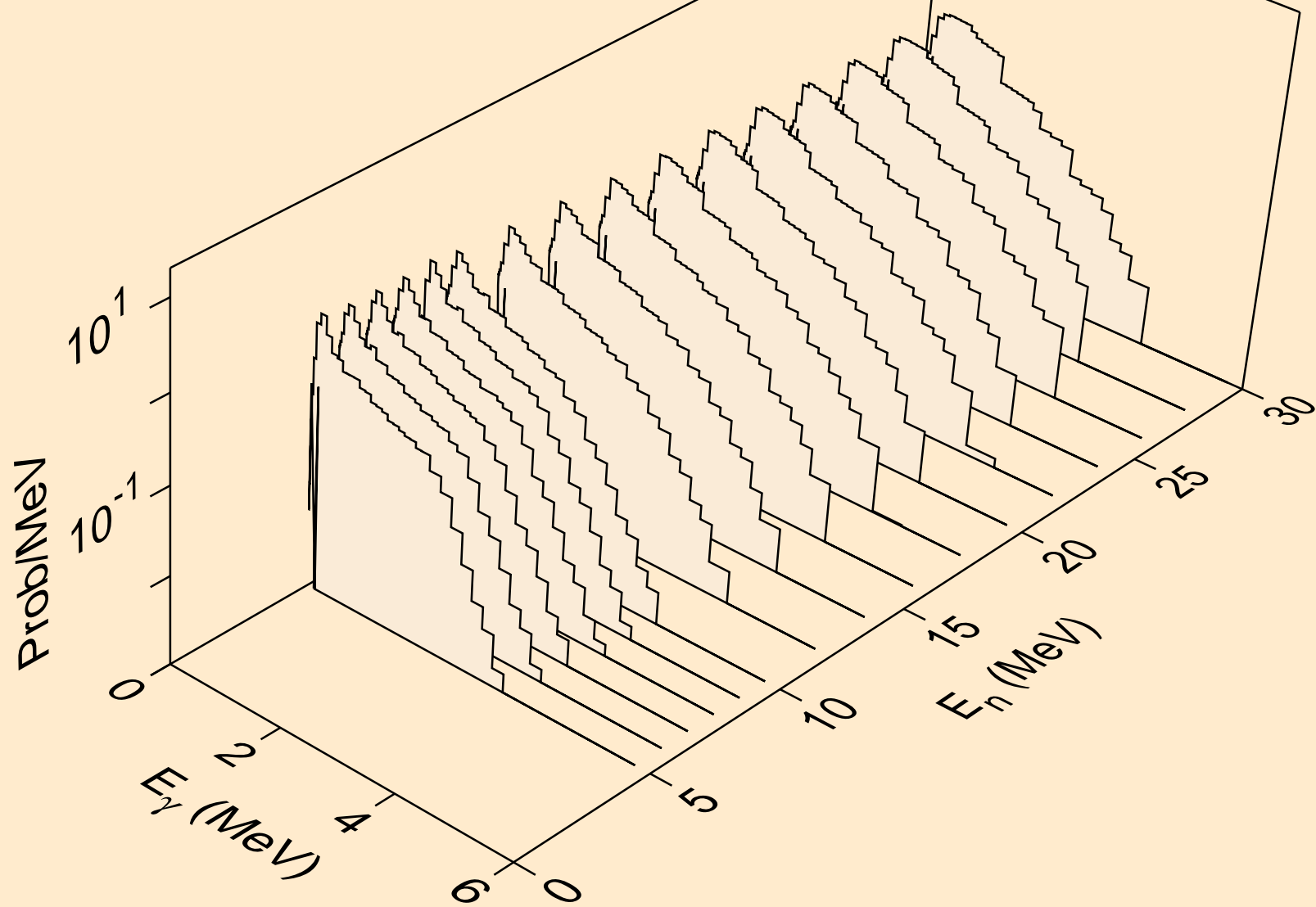
AU209 TRITON ACER TENDL-2021 LIBRARY; T=0.K
Photon emission for inelastic



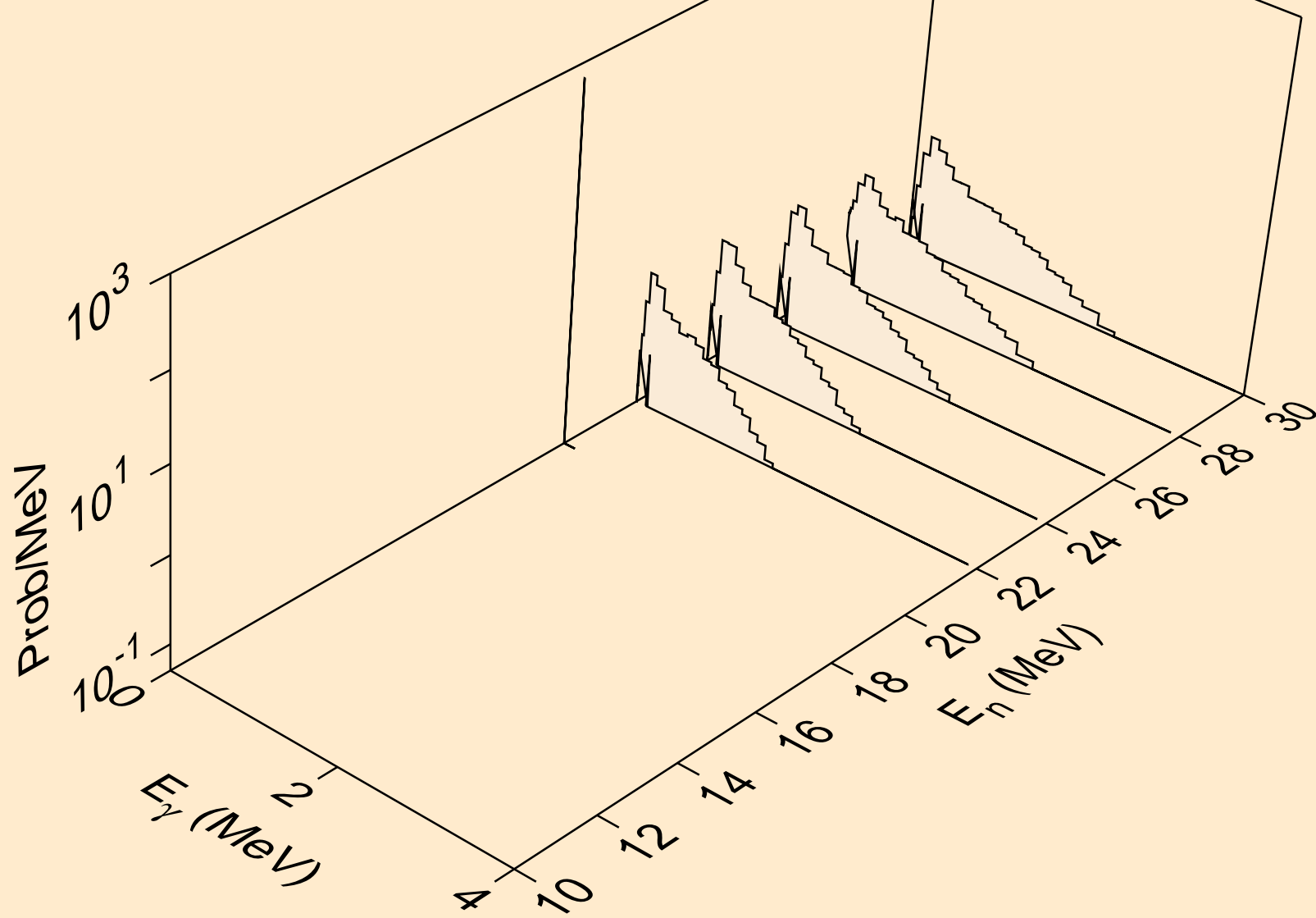
AU209 TRITON ACER TENDL-2021 LIBRARY; T=0.K
Photon emission for (n,he3)



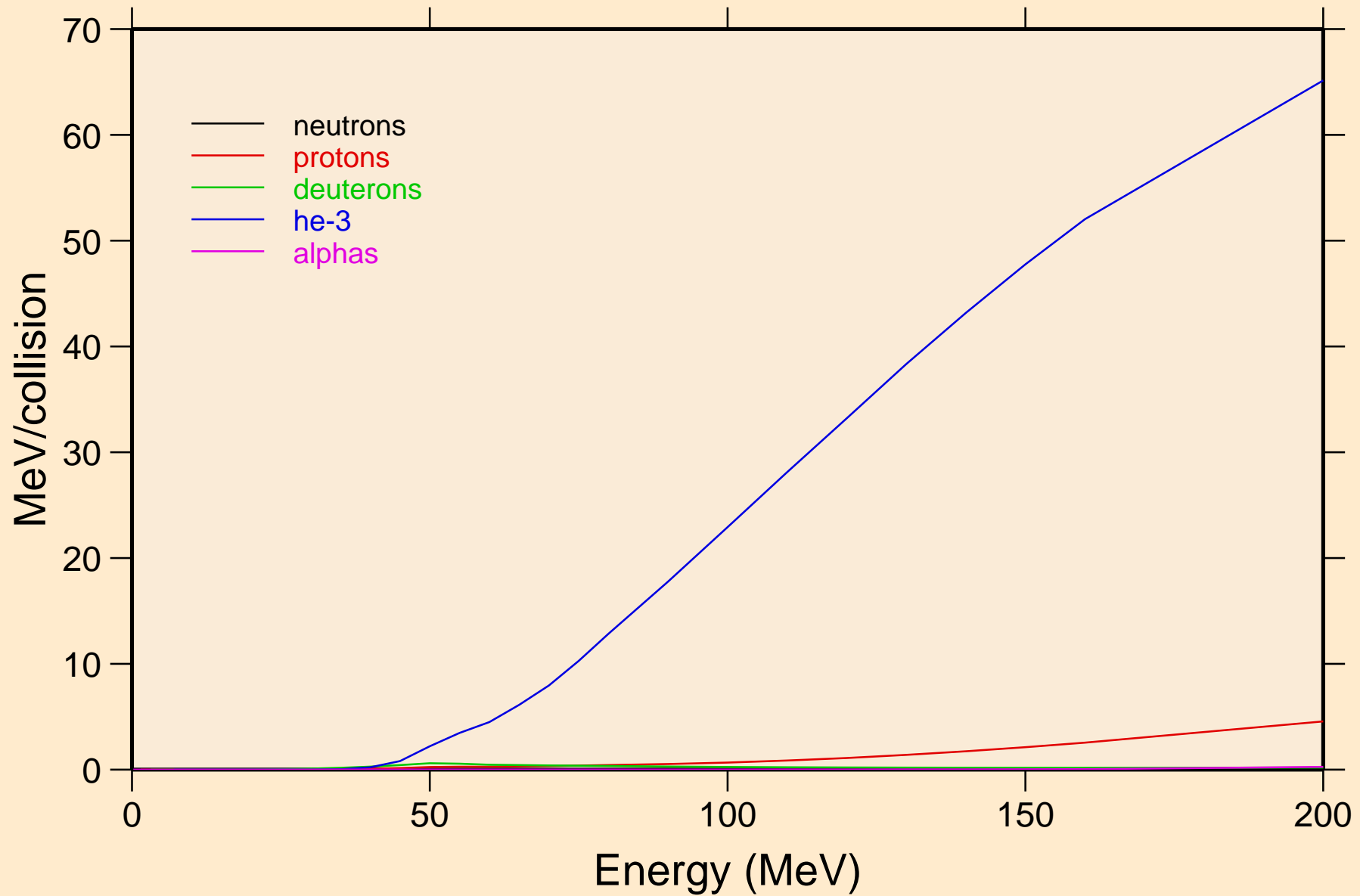
AU209 TRITON ACER TENDL-2021 LIBRARY; T=0.K
Photon emission for (n,a)



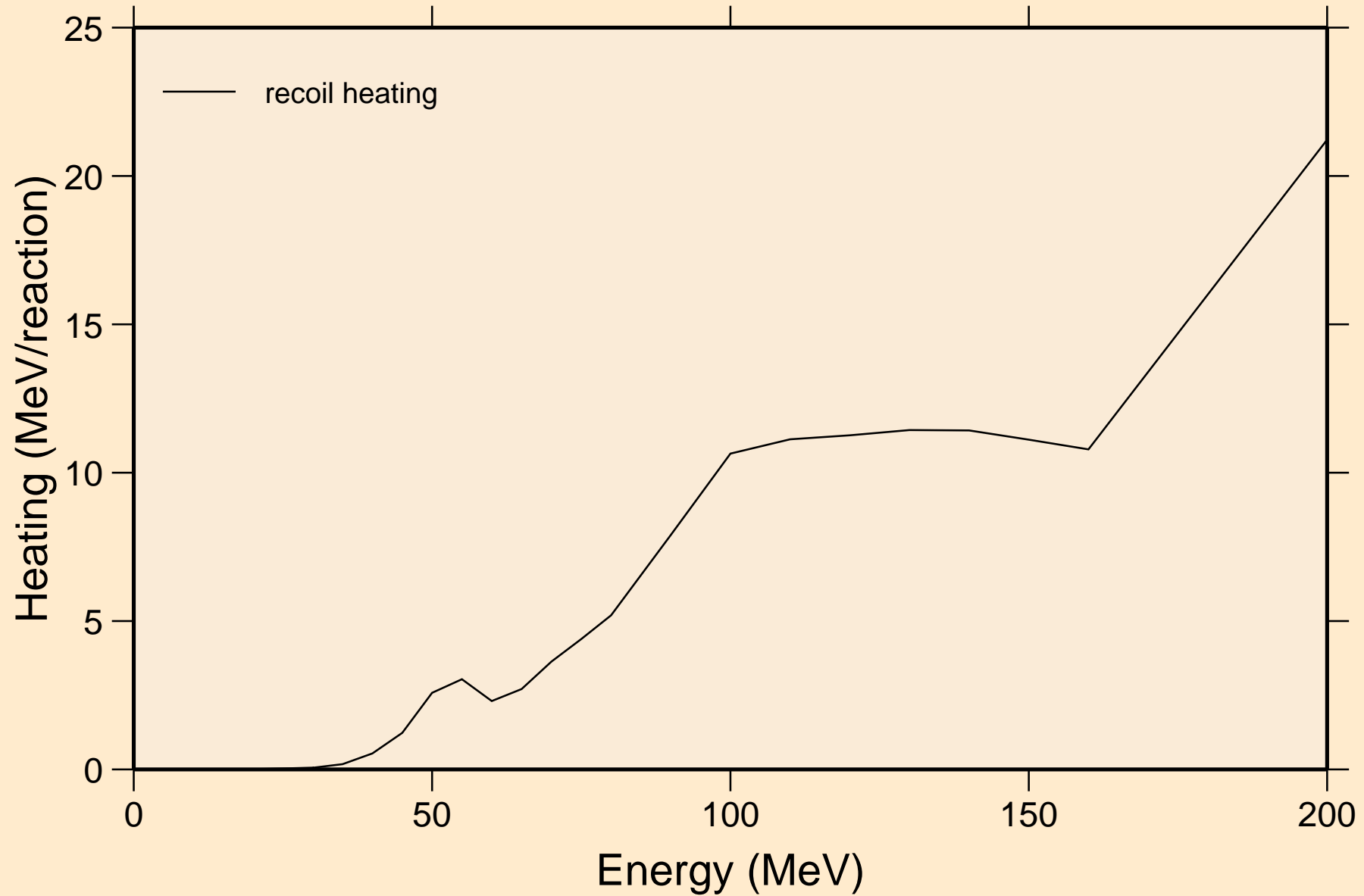
AU209 TRITON ACER TENDL-2021 LIBRARY; T=0.K
Photon emission for (n,2p)



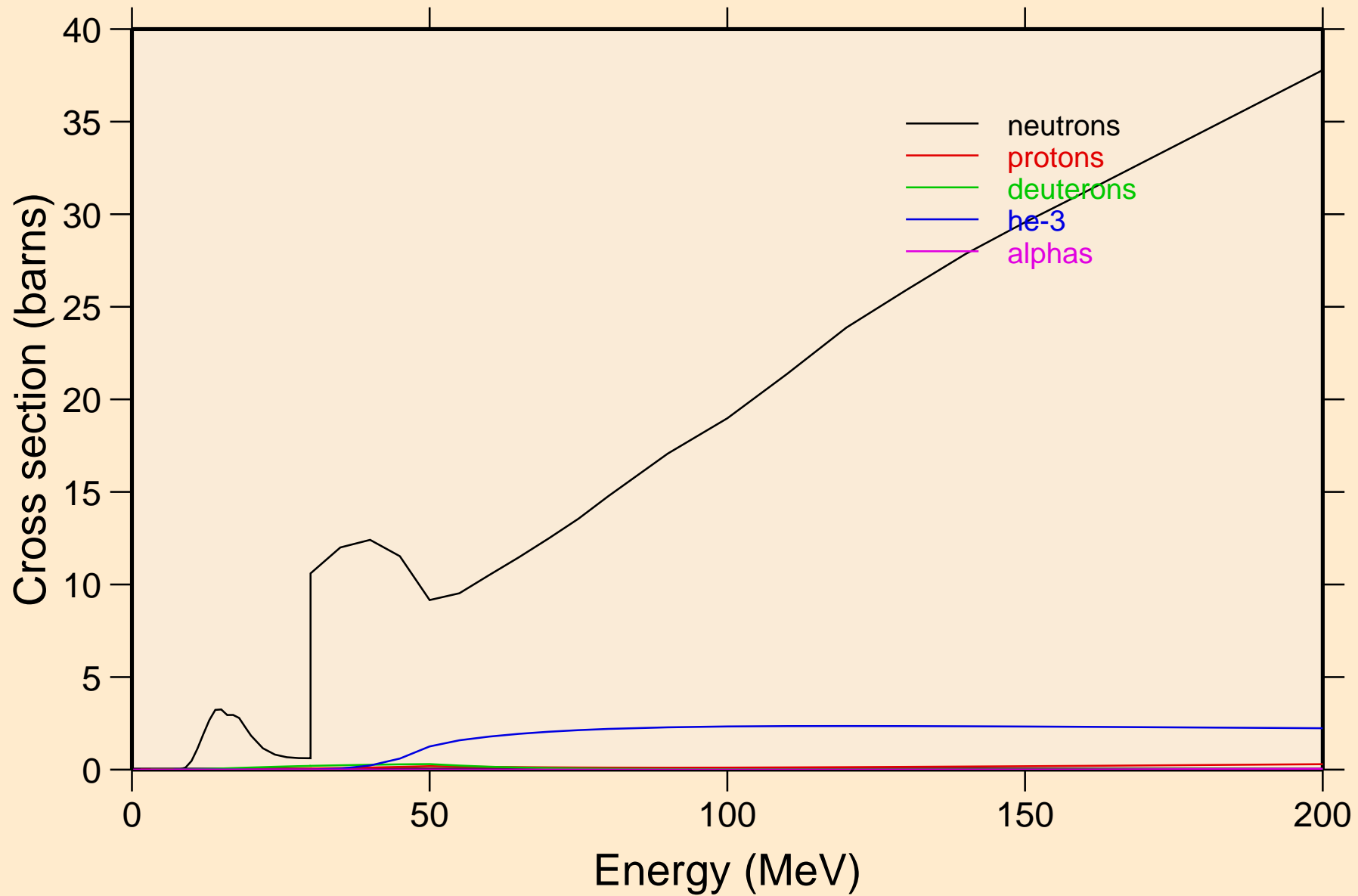
AU209 TRITON ACER TENDL-2021 LIBRARY; T=0.K
Particle heating contributions



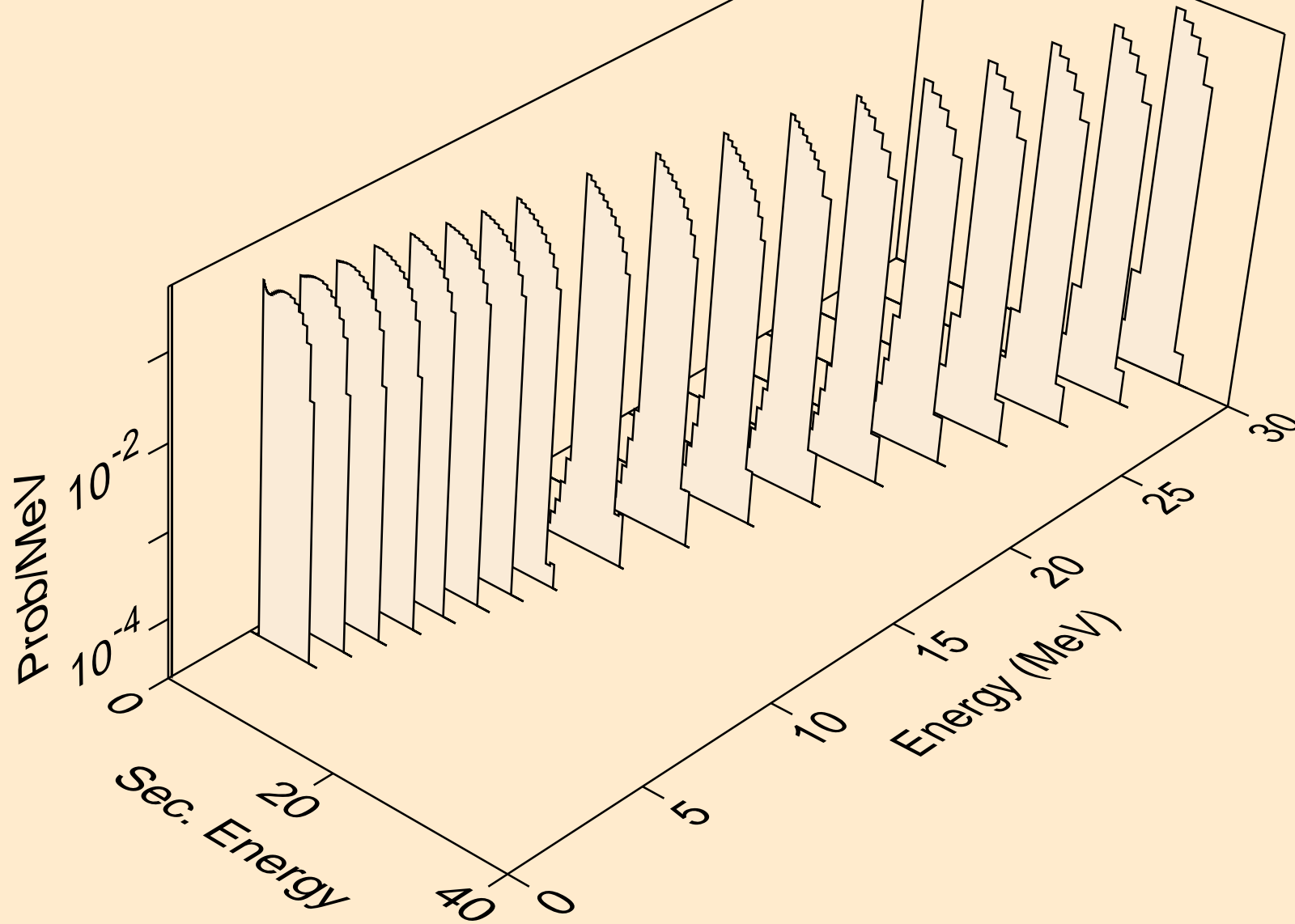
AU209 TRITON ACER TENDL-2021 LIBRARY; T=0.K
Recoil Heating



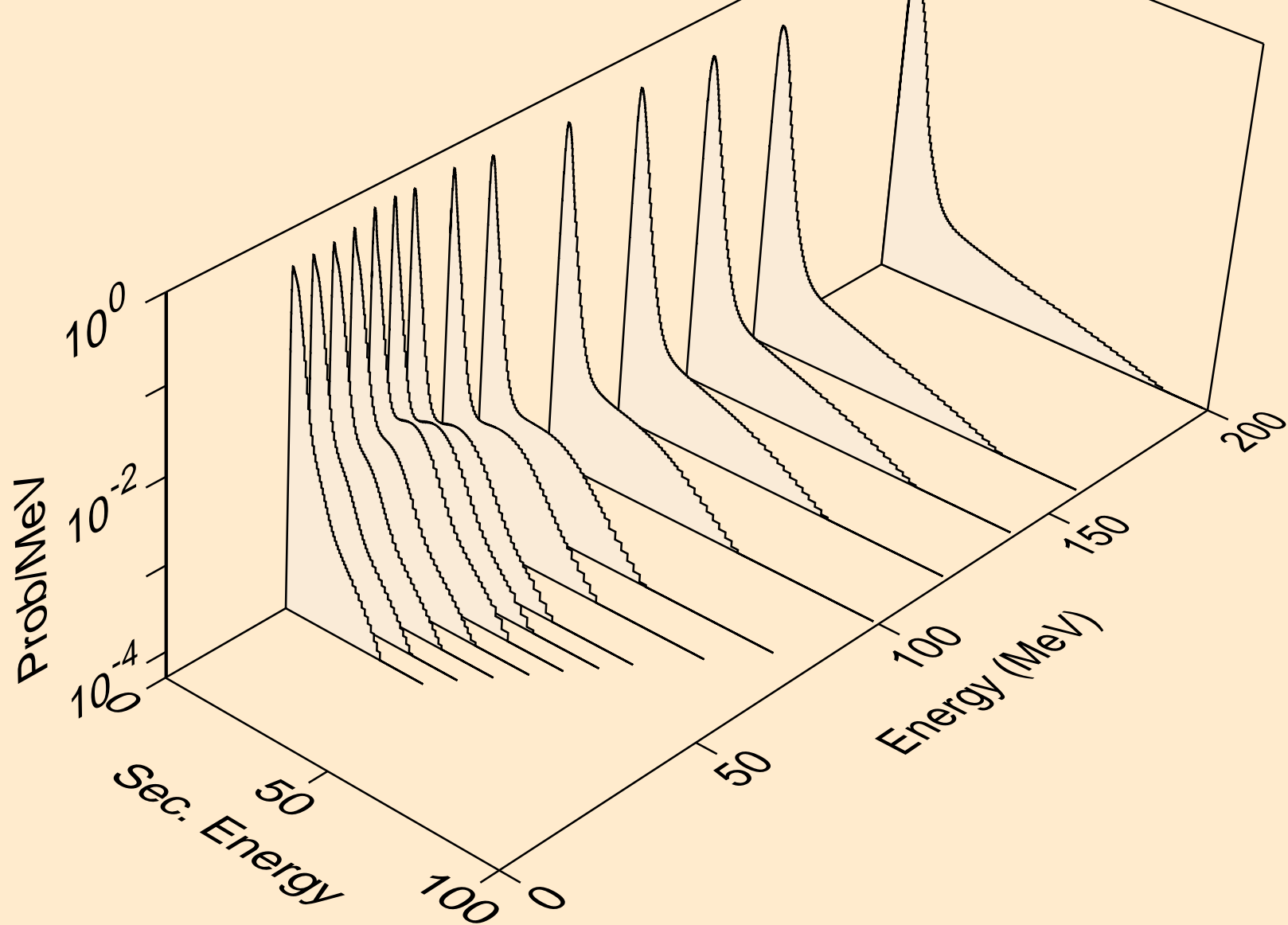
AU209 TRITON ACER TENDL-2021 LIBRARY; T=0.K
Particle production cross sections



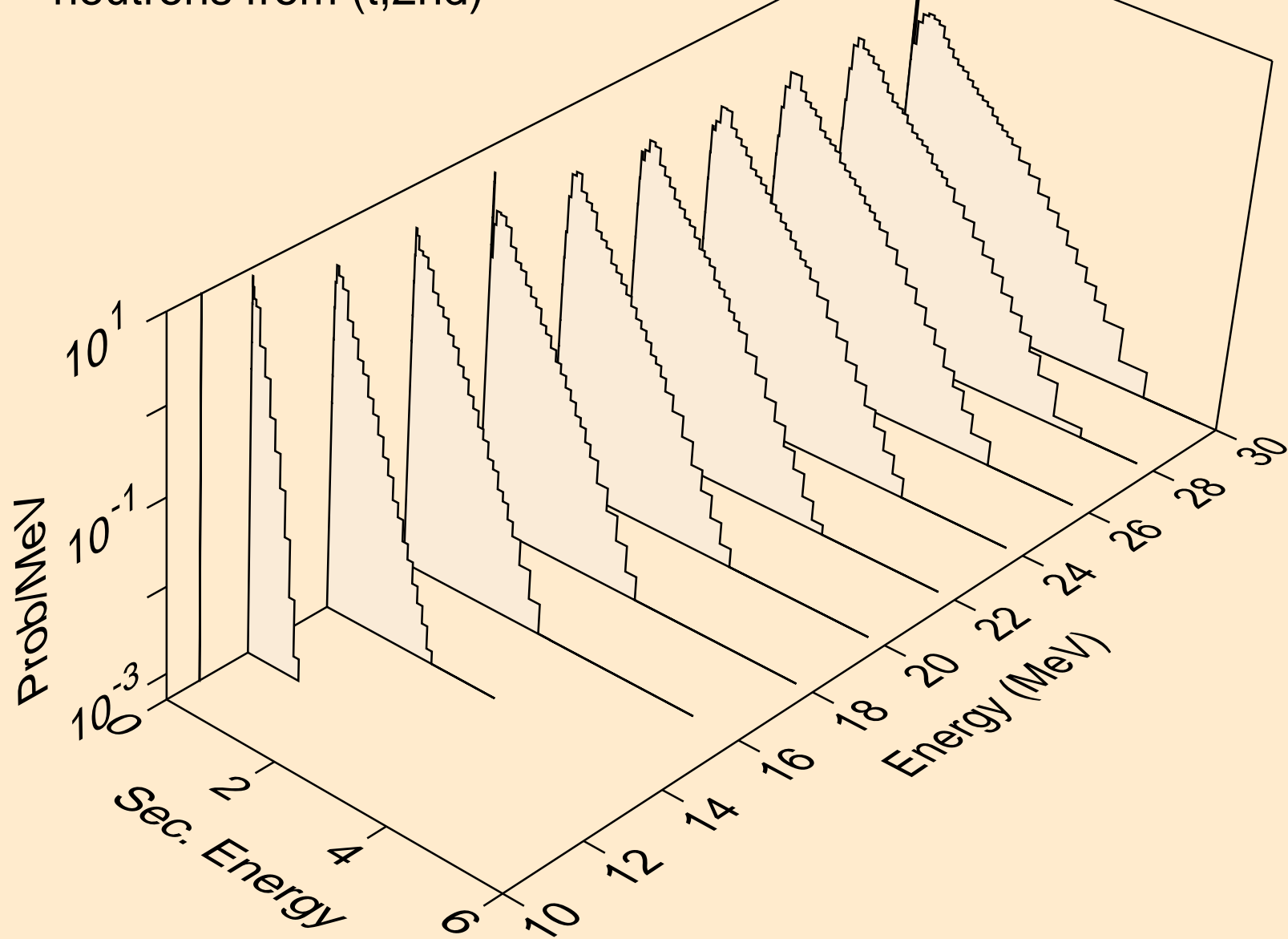
AU209 TRITON ACER TENDL-2021 LIBRARY; T=0.K
neutrons from (t,n)



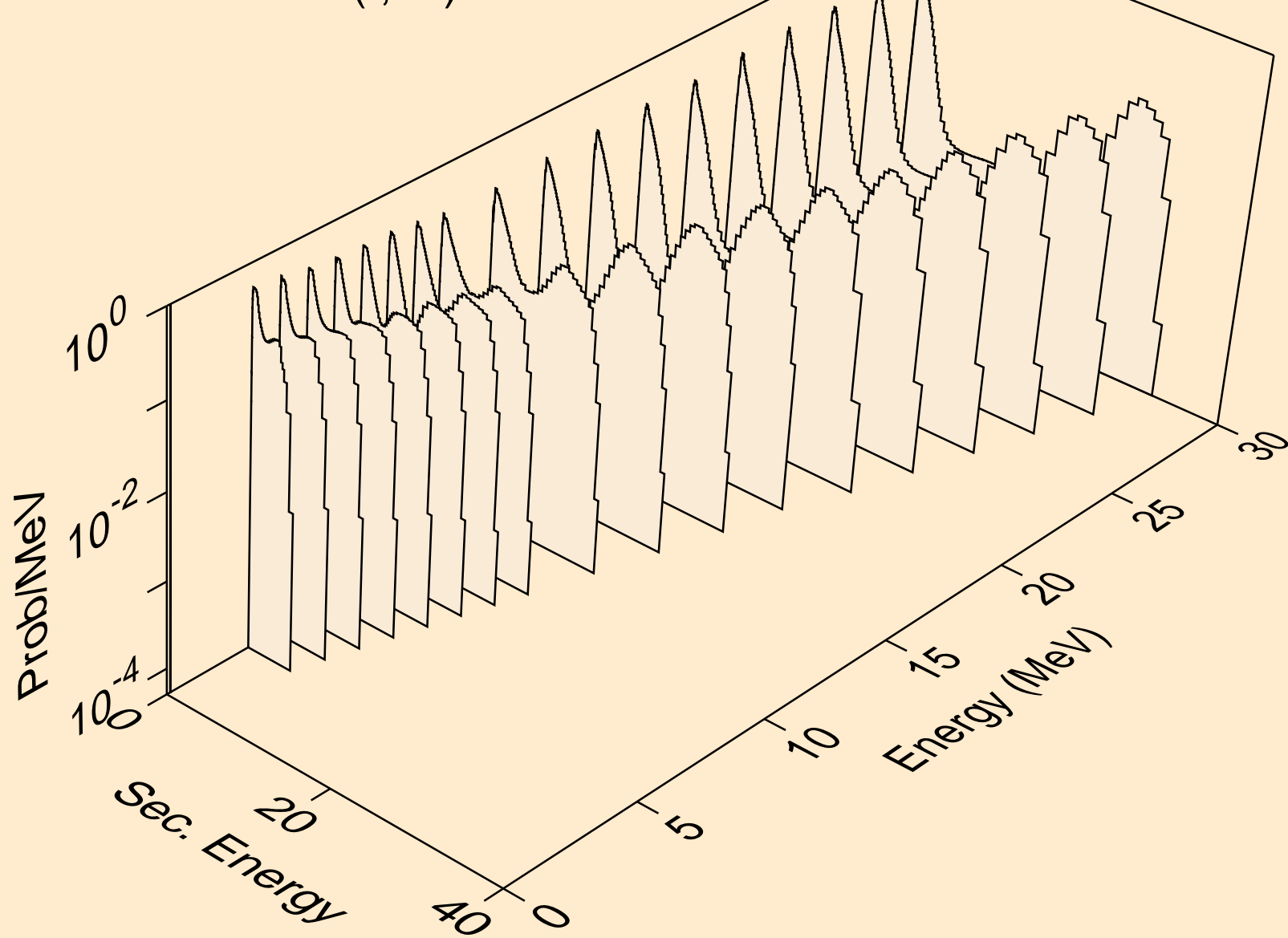
AU209 TRITON ACER TENDL-2021 LIBRARY; T=0.K
neutrons from (t,x)



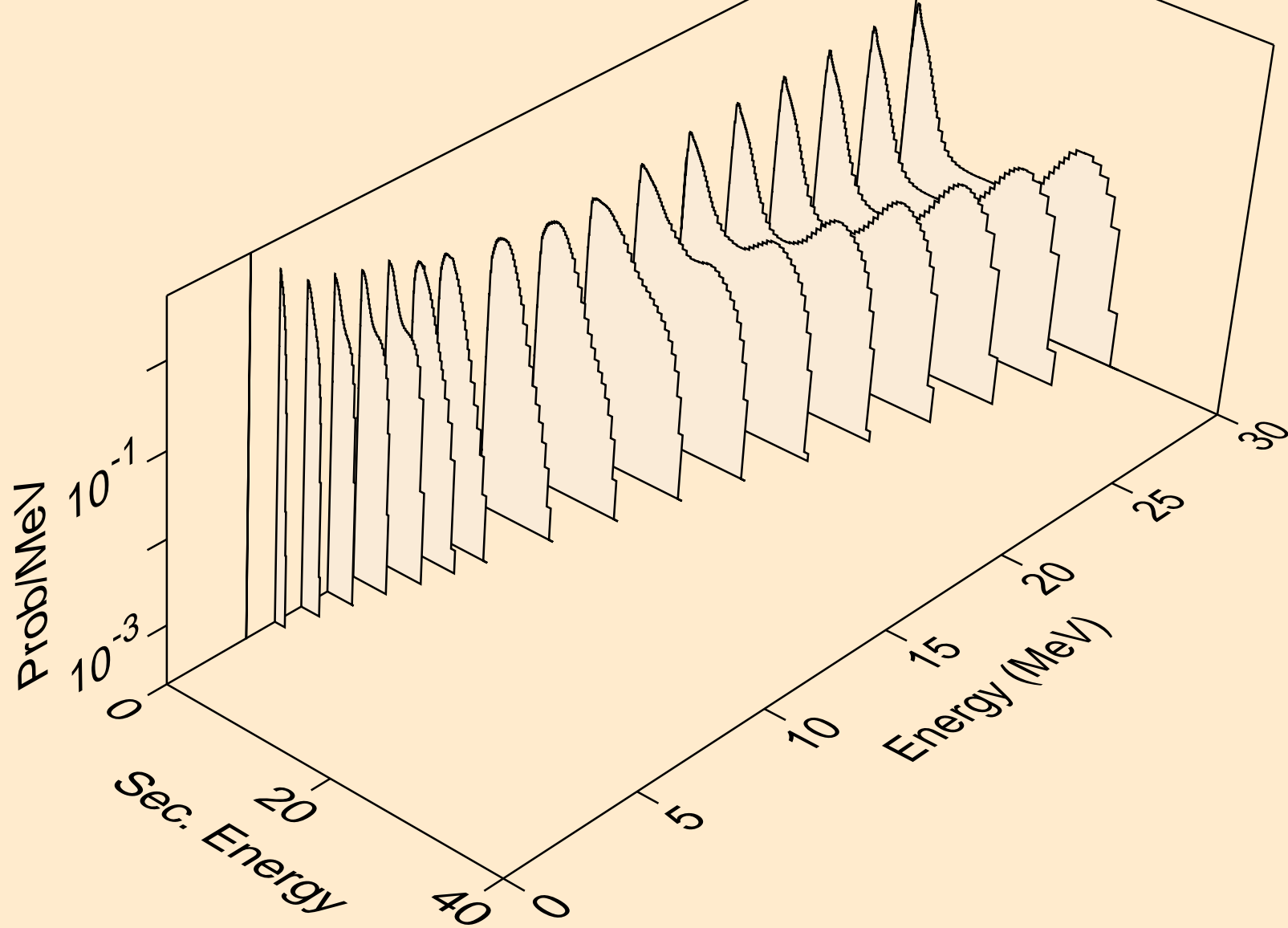
AU209 TRITON ACER TENDL-2021 LIBRARY; T=0.K
neutrons from (t,2nd)



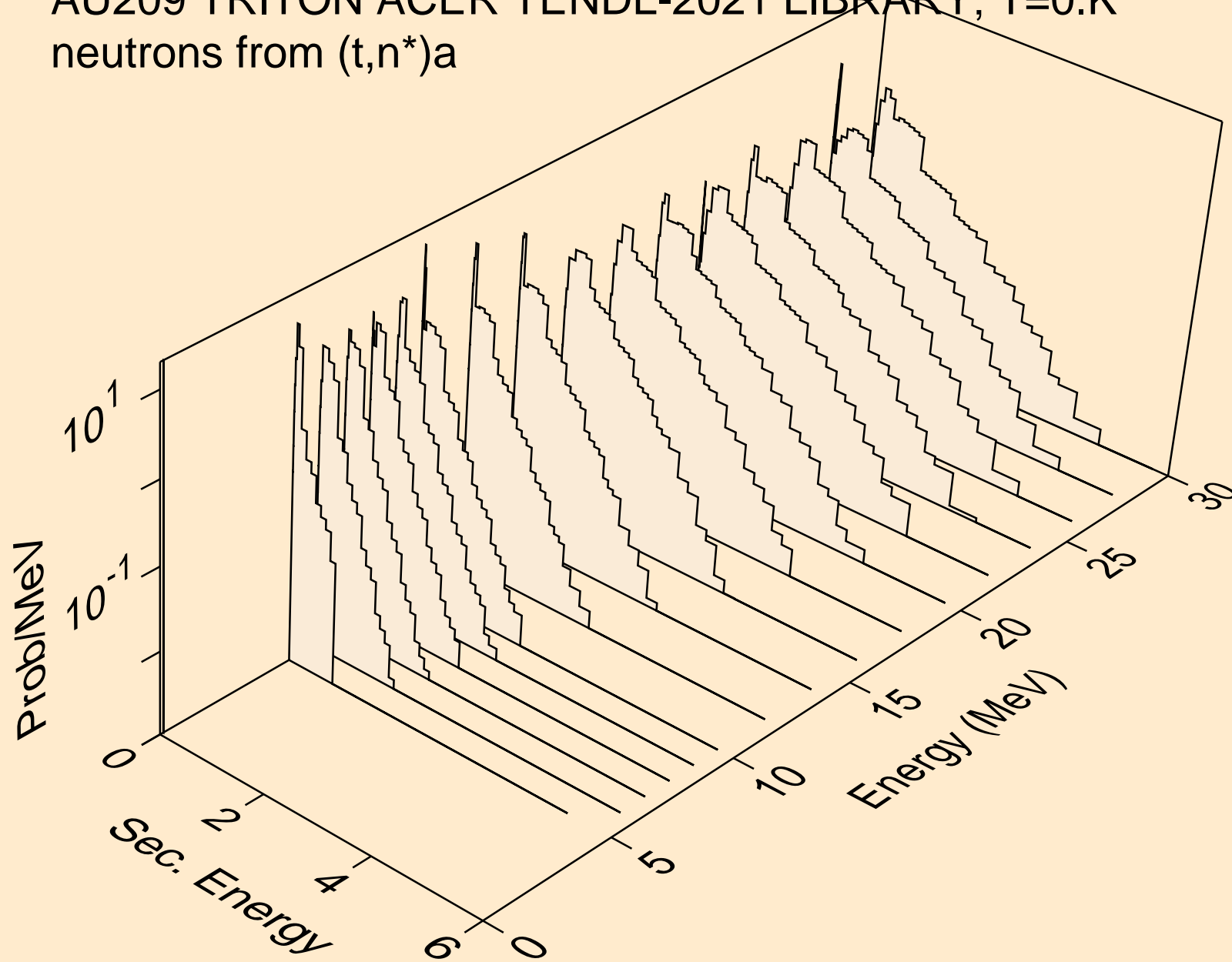
AU209 TRITON ACER TENDL-2021 LIBRARY; T=0.K
neutrons from (t,2n)



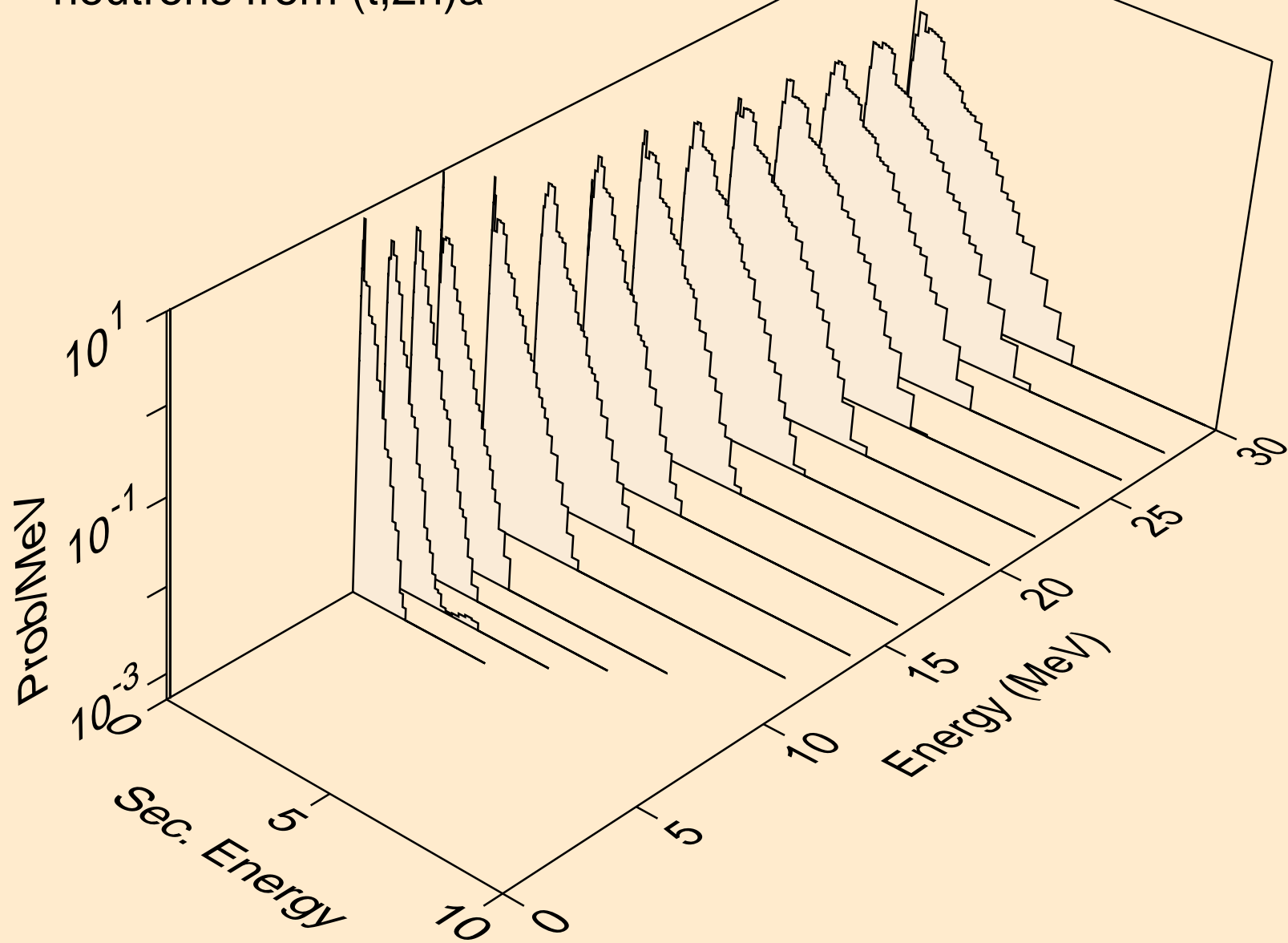
AU209 TRITON ACER TENDL-2021 LIBRARY; T=0.K
neutrons from (t,3n)



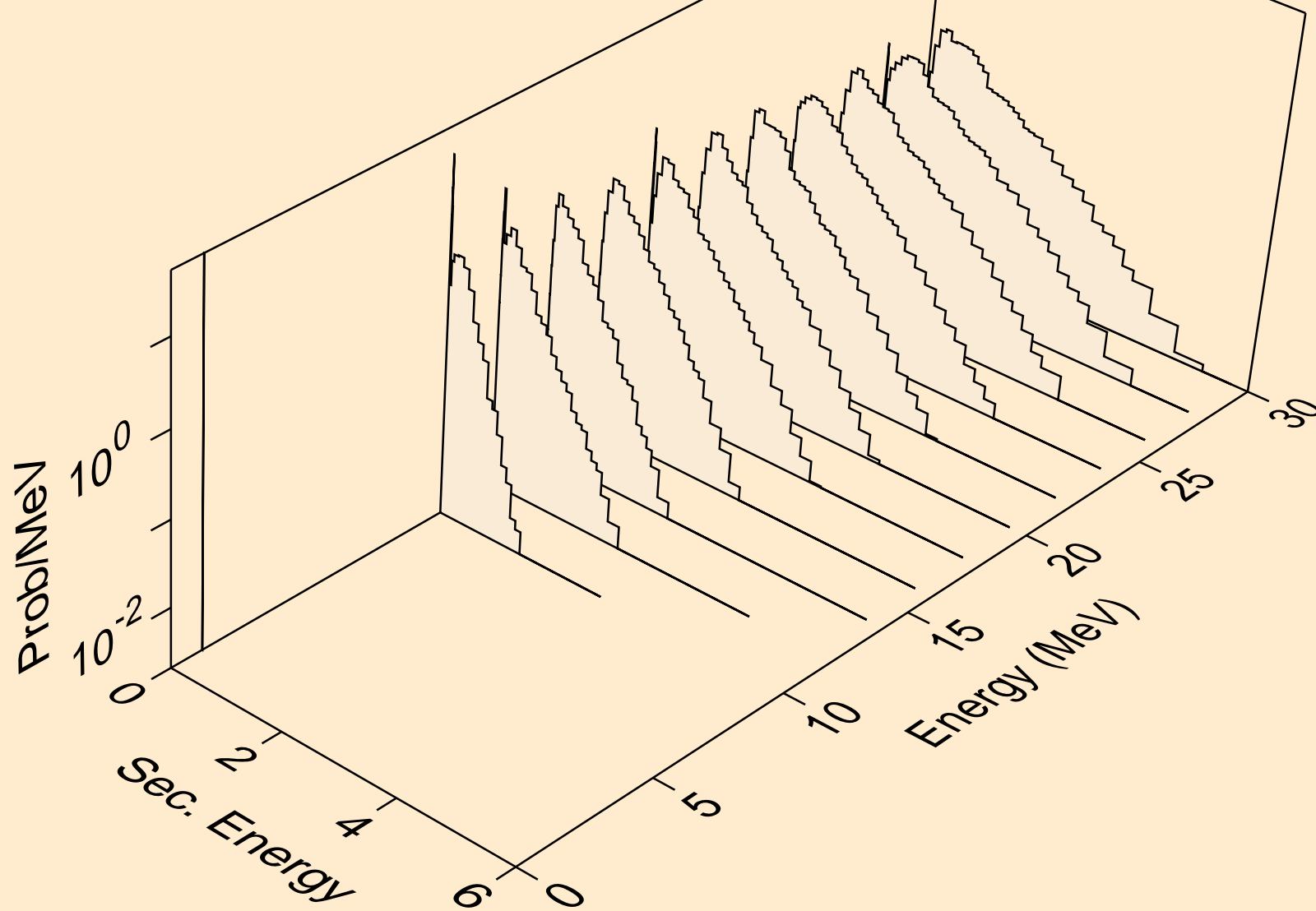
AU209 TRITON ACER TENDL-2021 LIBRARY; T=0.K
neutrons from (t,n*)a



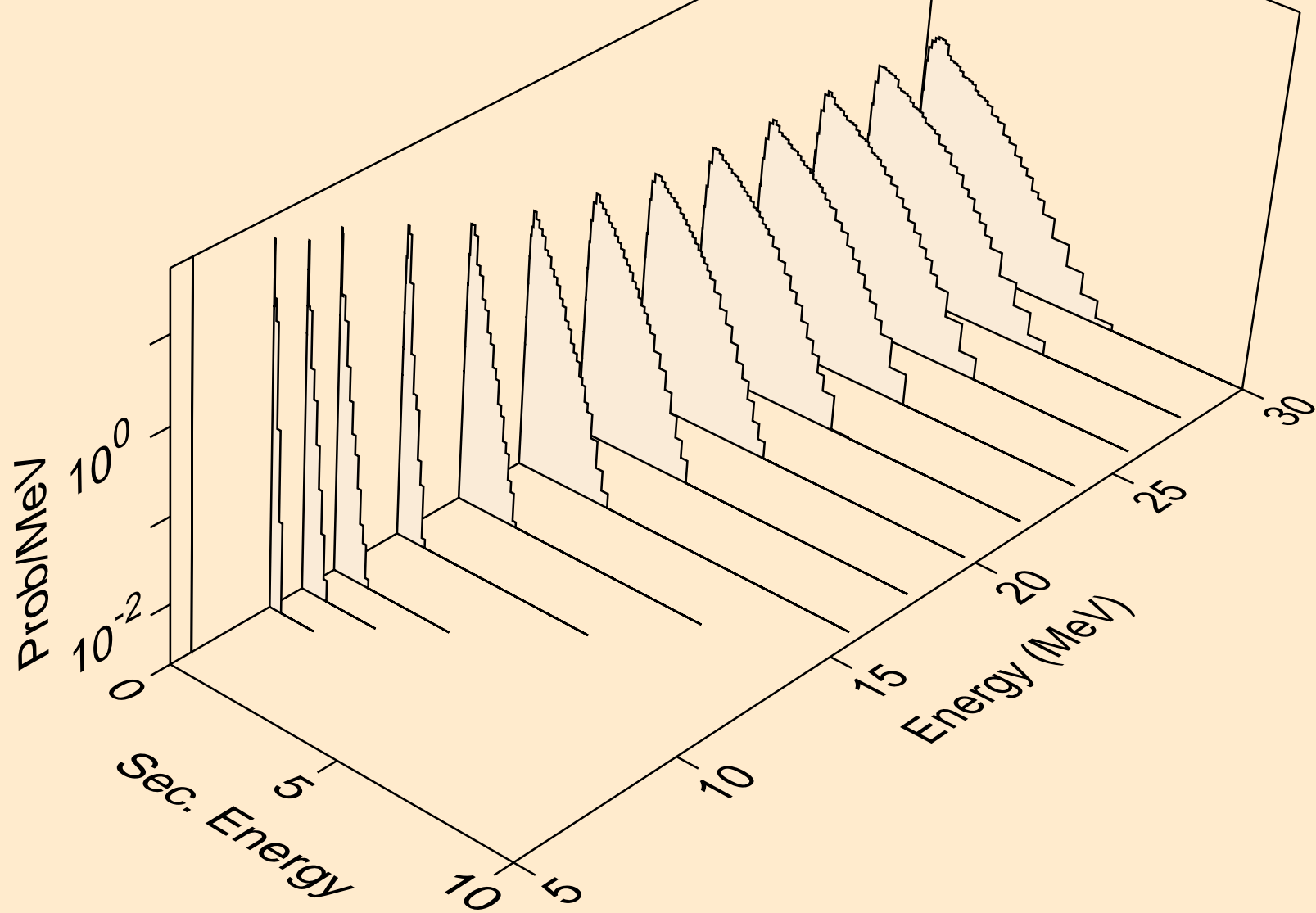
AU209 TRITON ACER TENDL-2021 LIBRARY; T=0.K
neutrons from (t,2n)a



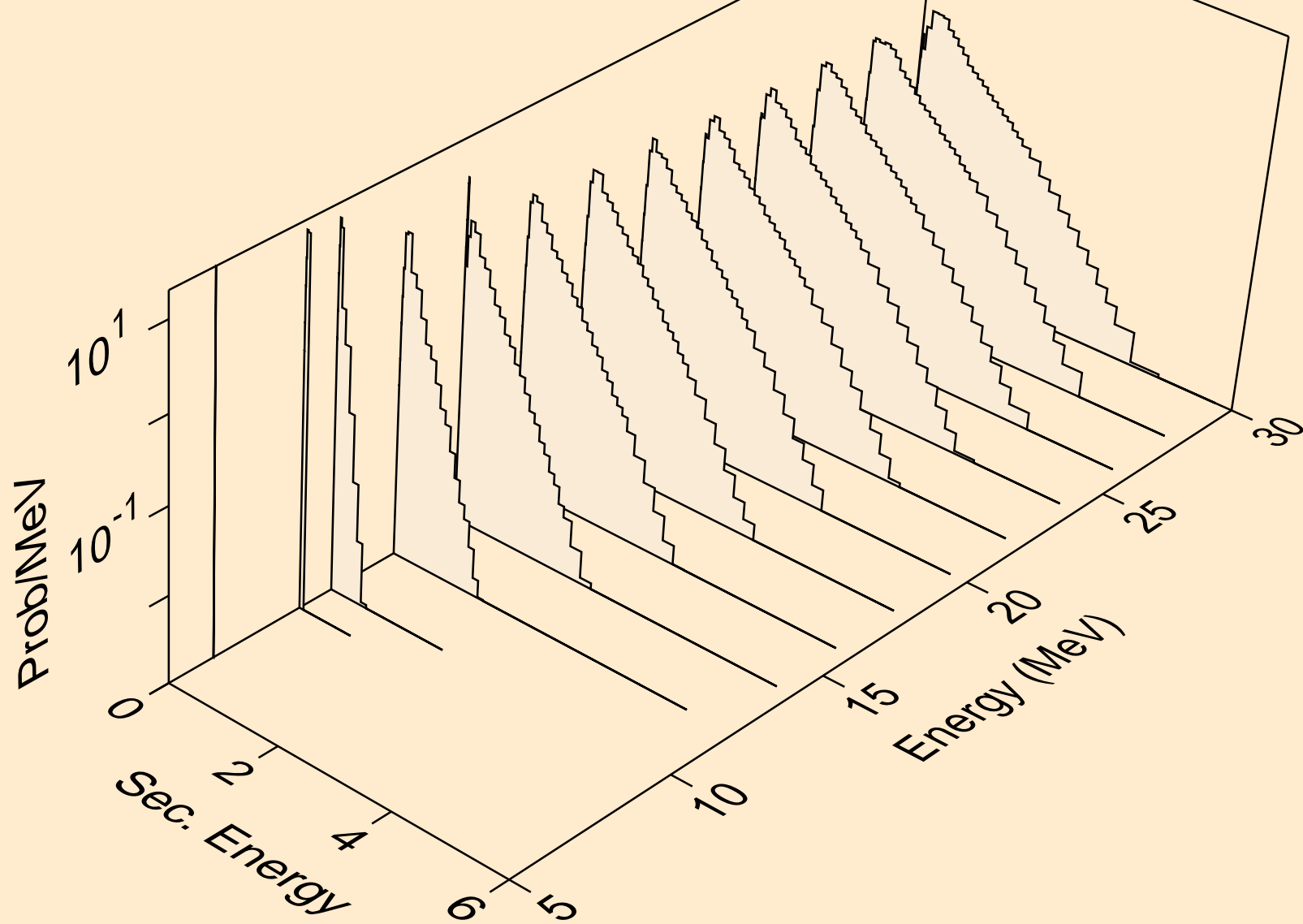
AU209 TRITON ACER TENDL-2021 LIBRARY; T=0.K
neutrons from (t,3n)a



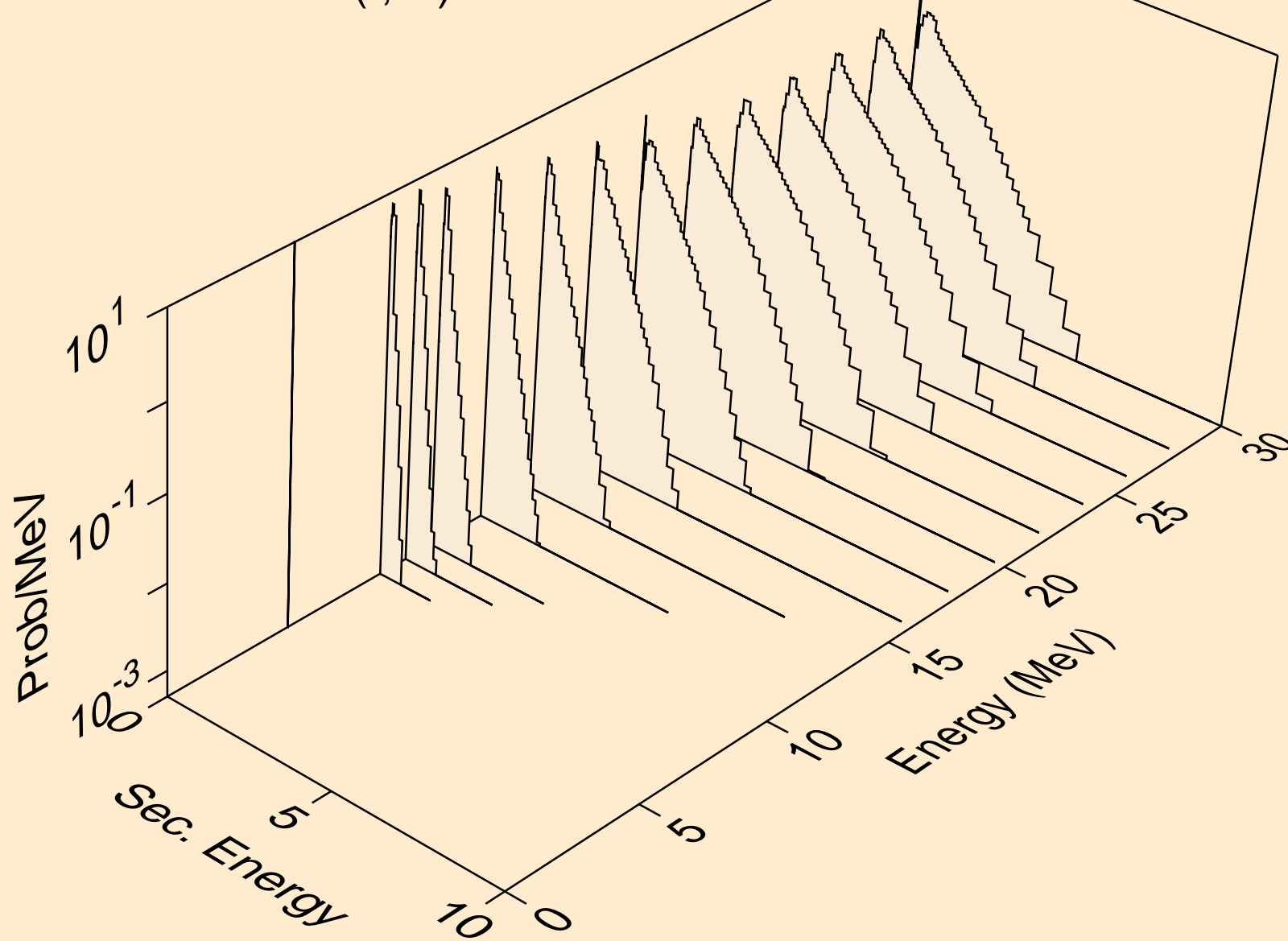
AU209 TRITON ACER TENDL-2021 LIBRARY; T=0.K
neutrons from (t,n*)p



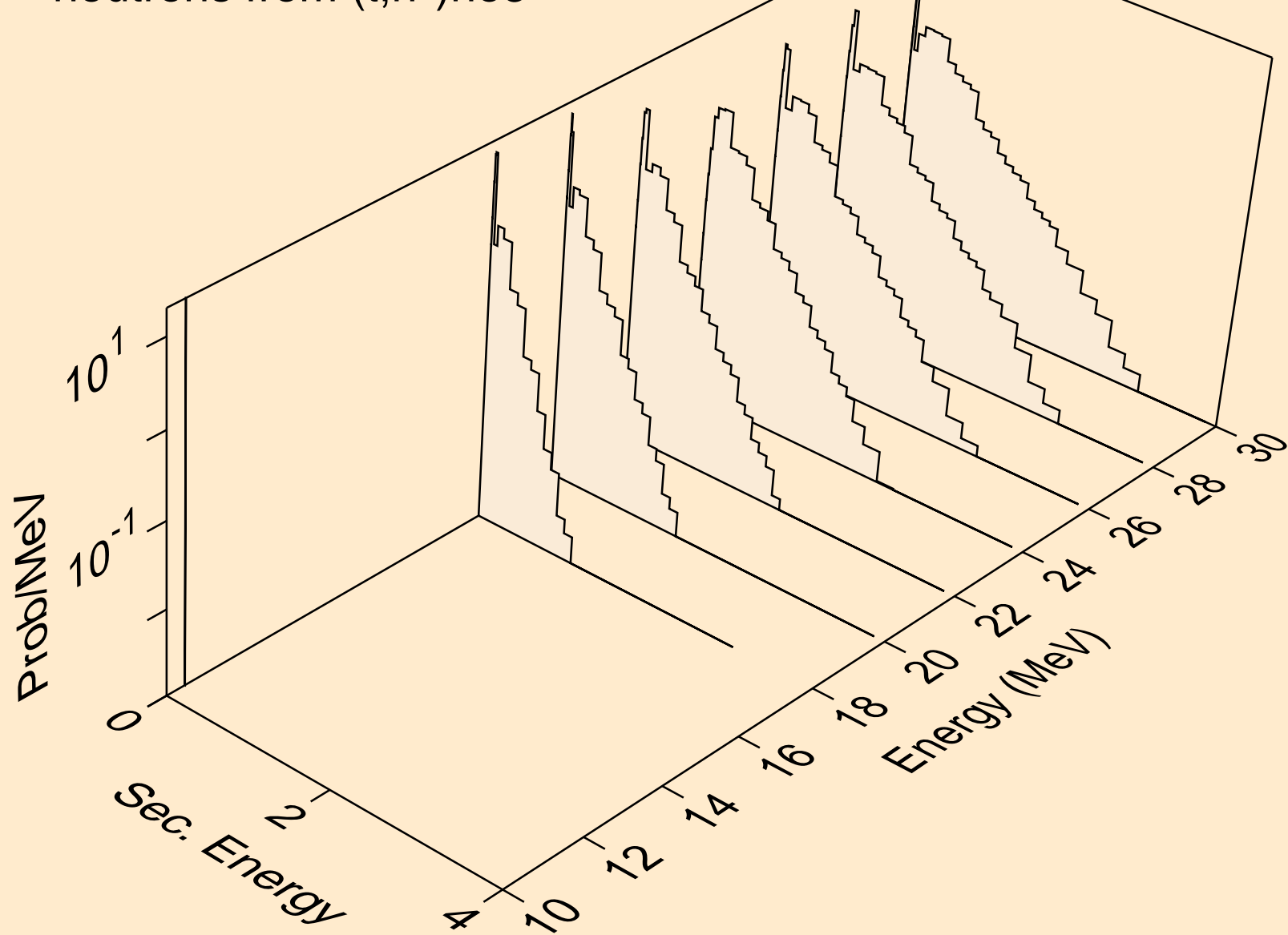
AU209 TRITON ACER TENDL-2021 LIBRARY; T=0.K
neutrons from (t,n*)d



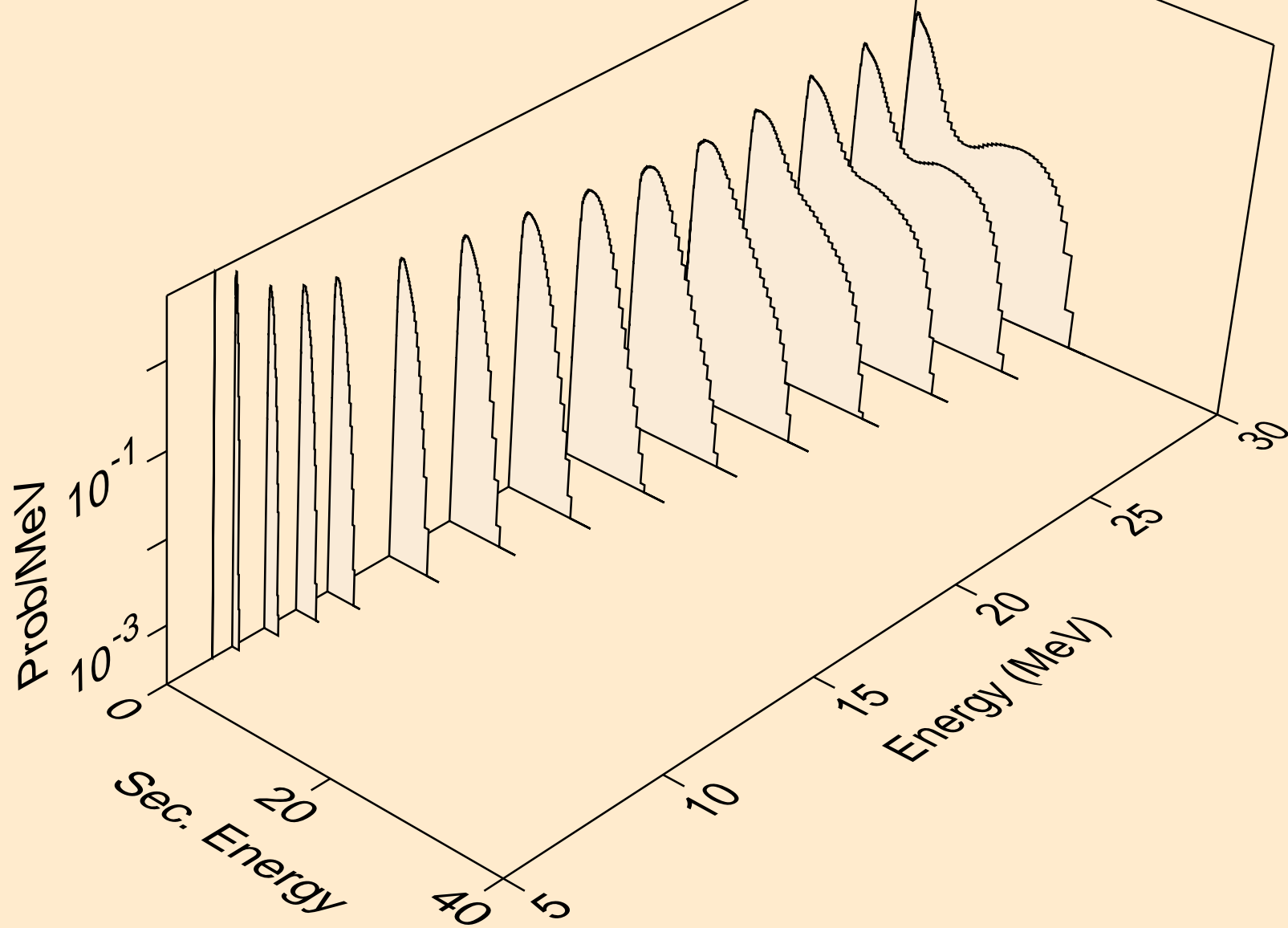
AU209 TRITON ACER TENDL-2021 LIBRARY; T=0.K
neutrons from (t,n*)t



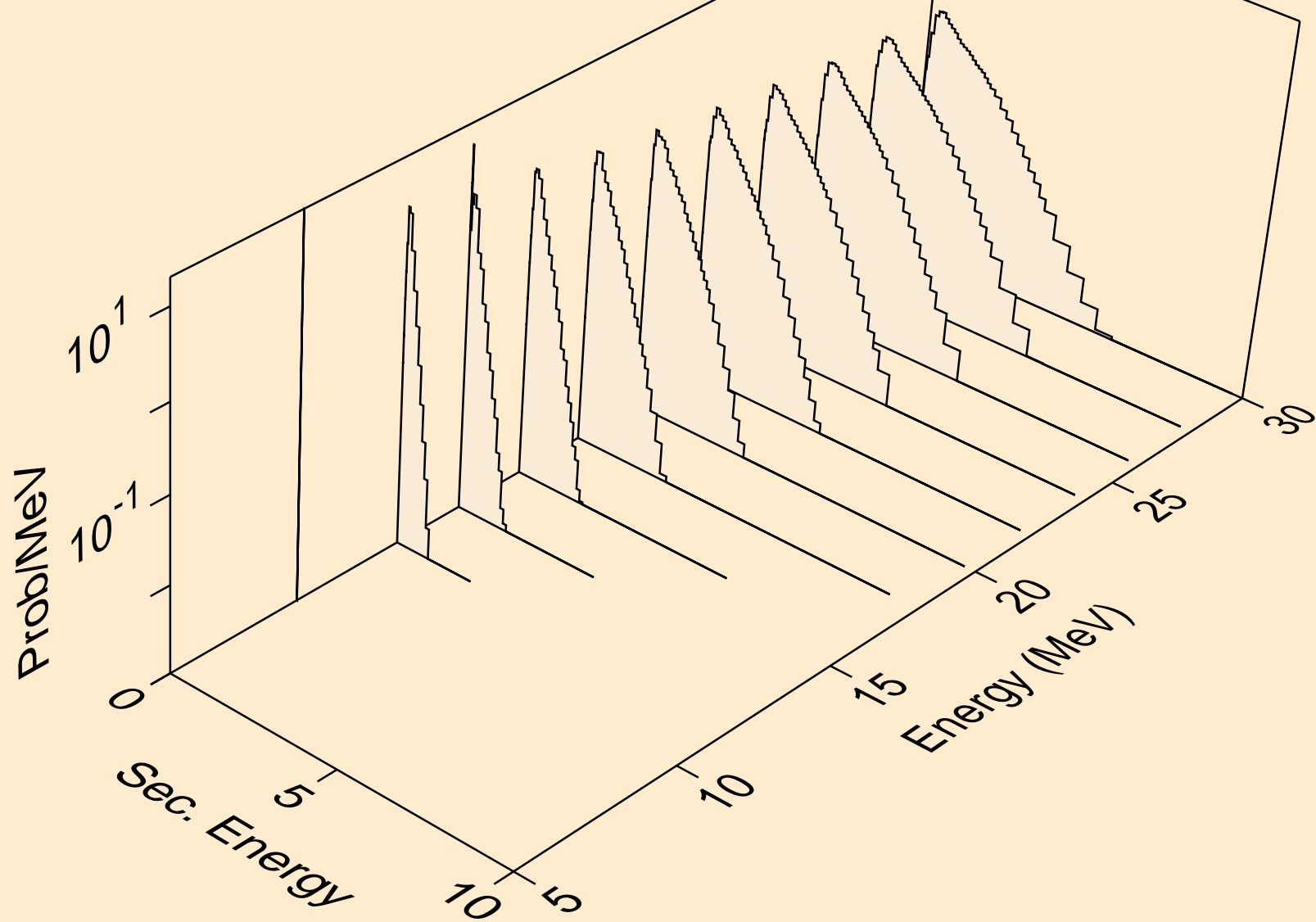
AU209 TRITON ACER TENDL-2021 LIBRARY; T=0.K
neutrons from (t,n*)he3



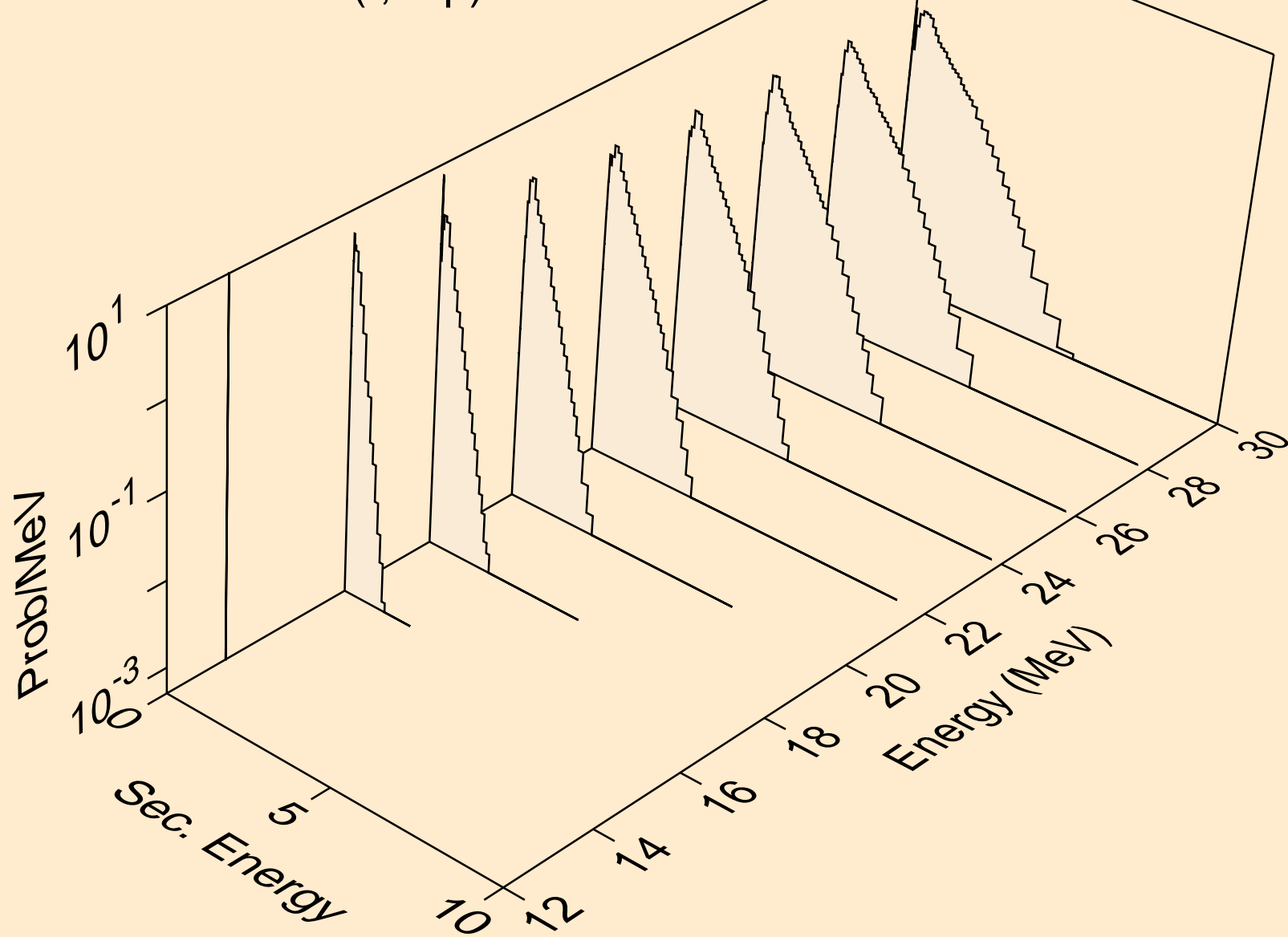
AU209 TRITON ACER TENDL-2021 LIBRARY; T=0.K
neutrons from (t,4n)



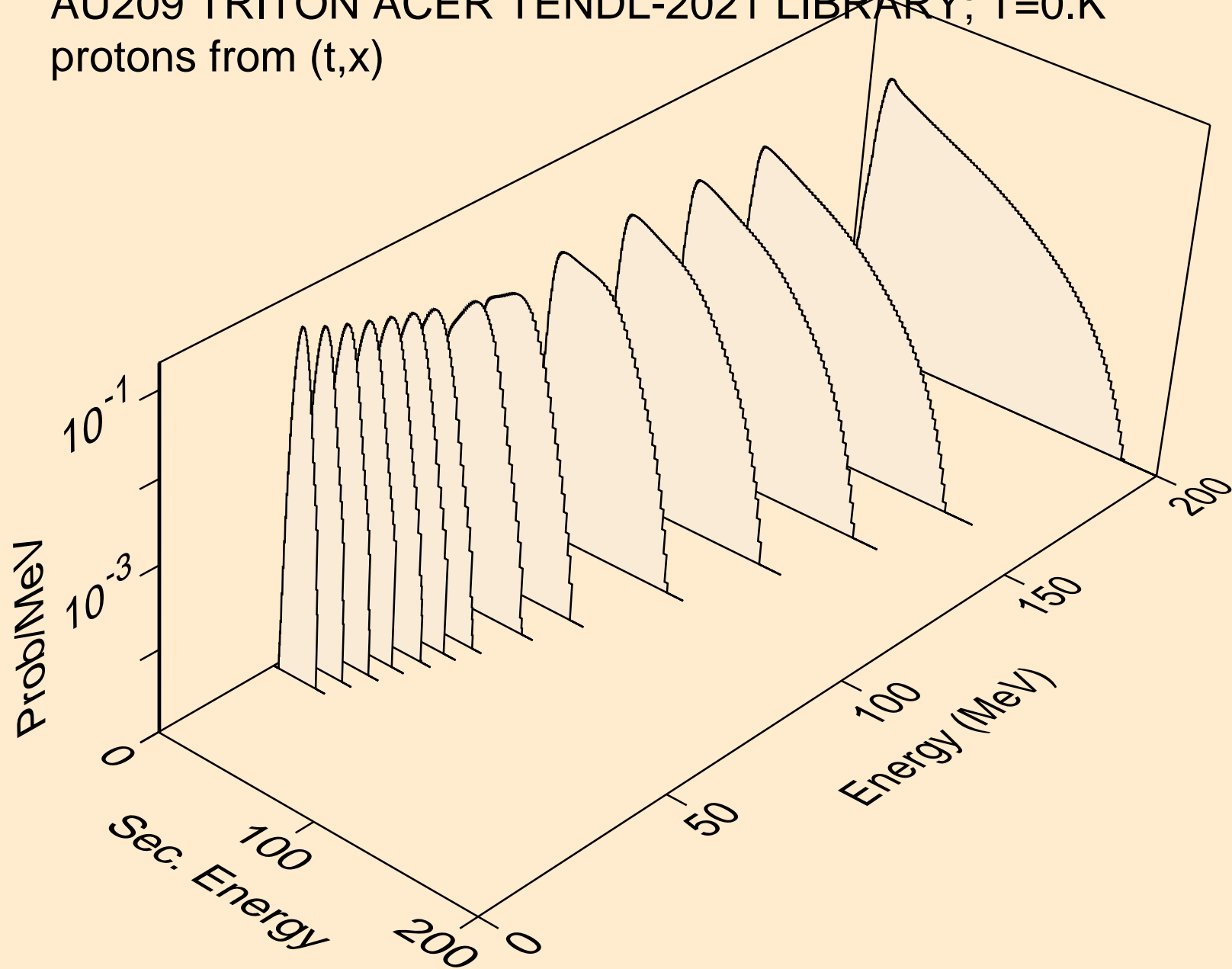
AU209 TRITON ACER TENDL-2021 LIBRARY; T=0.K
neutrons from (t,2np)



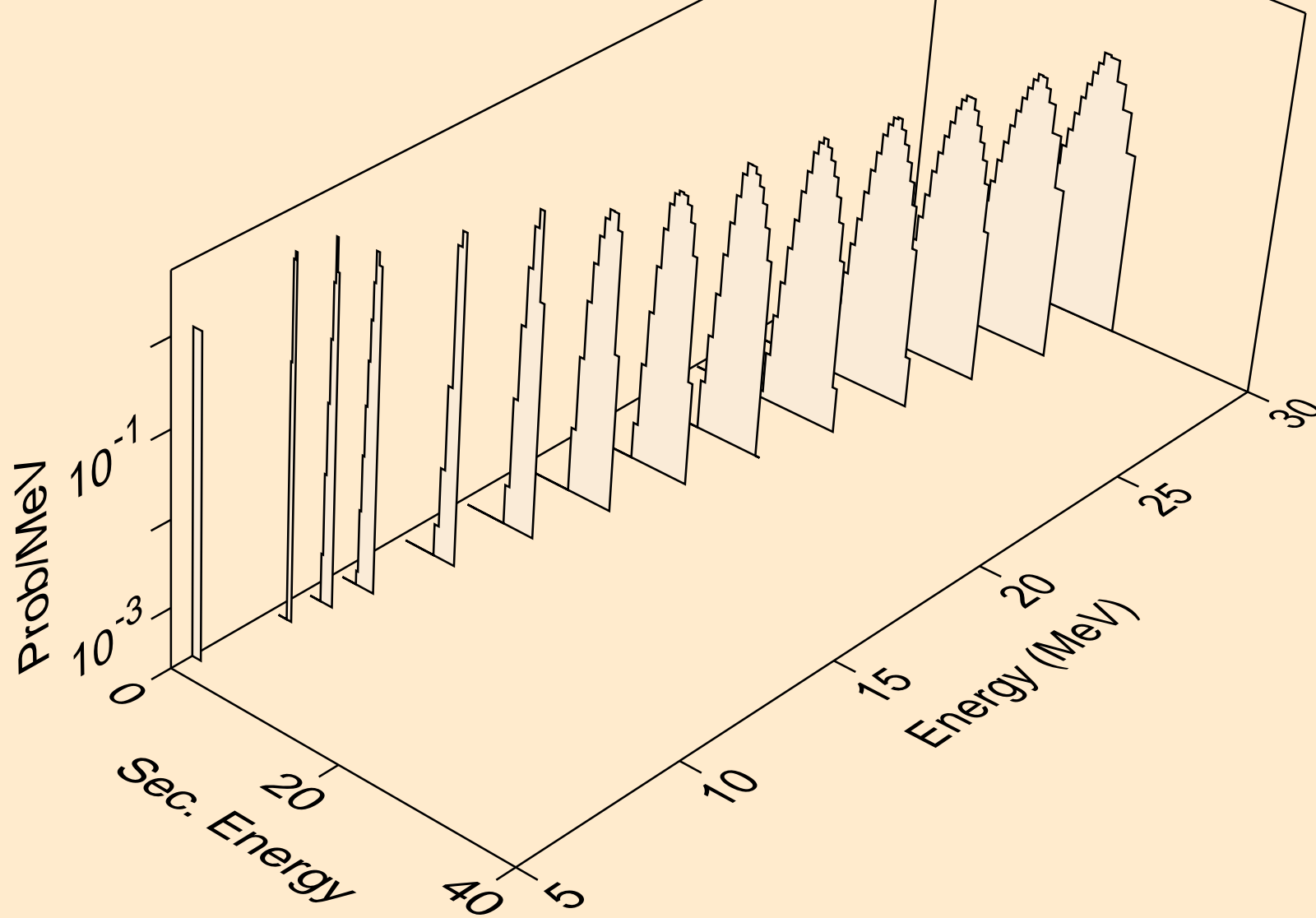
AU209 TRITON ACER TENDL-2021 LIBRARY; T=0.K
neutrons from (t,3np)



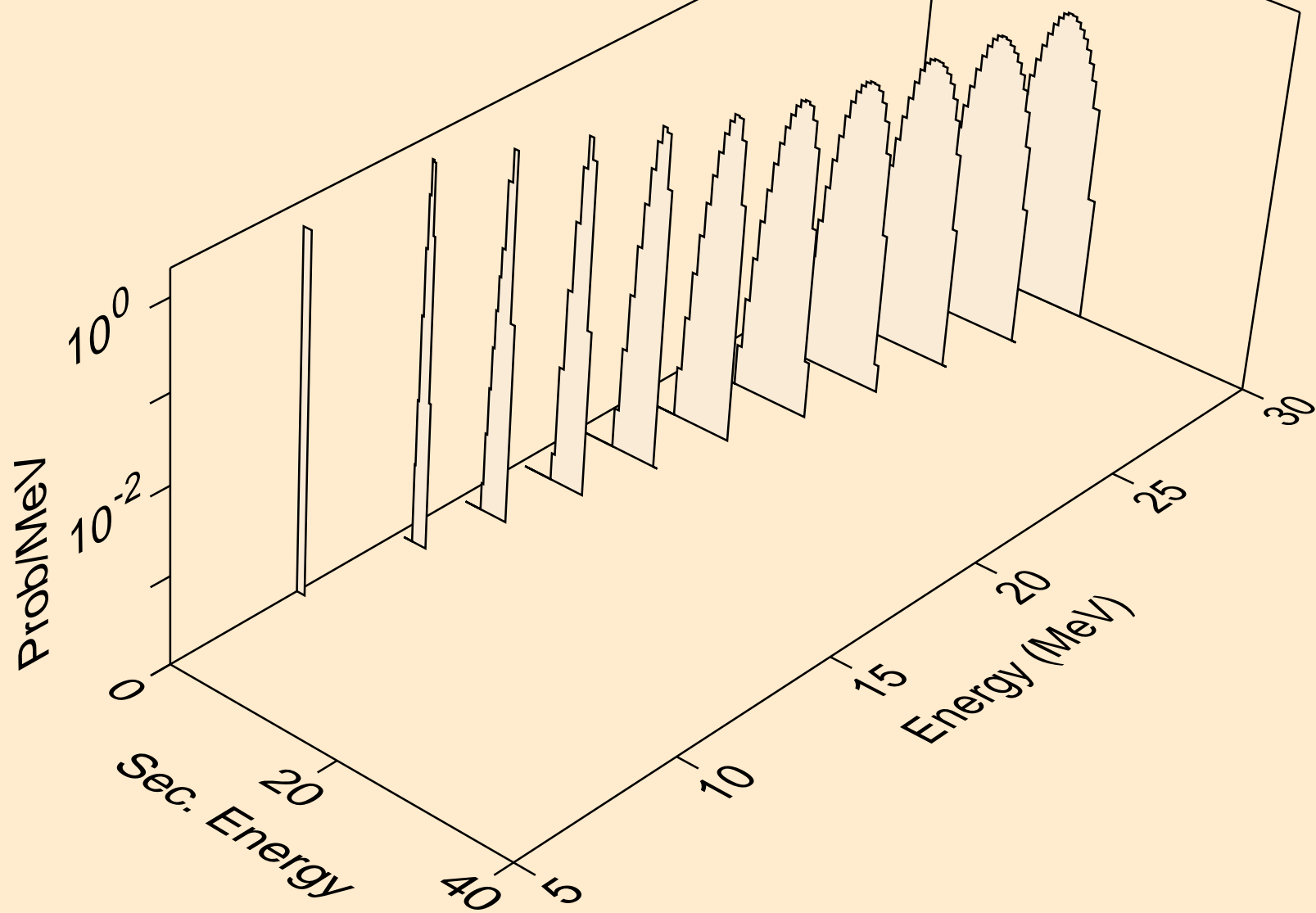
AU209 TRITON ACER TENDL-2021 LIBRARY; T=0.K
protons from (t,x)



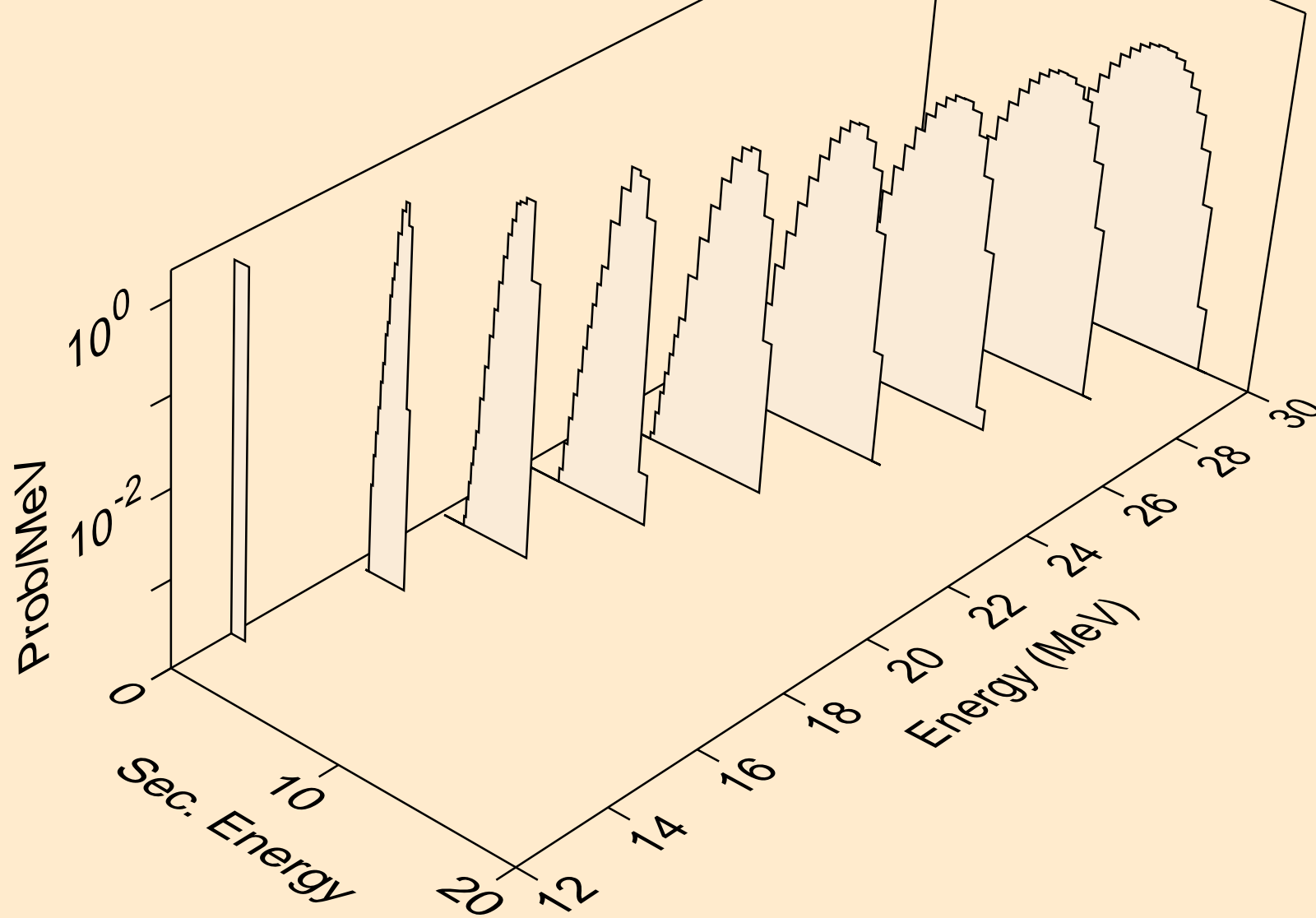
AU209 TRITON ACER TENDL-2021 LIBRARY; T=0.K
protons from (t,n*)p



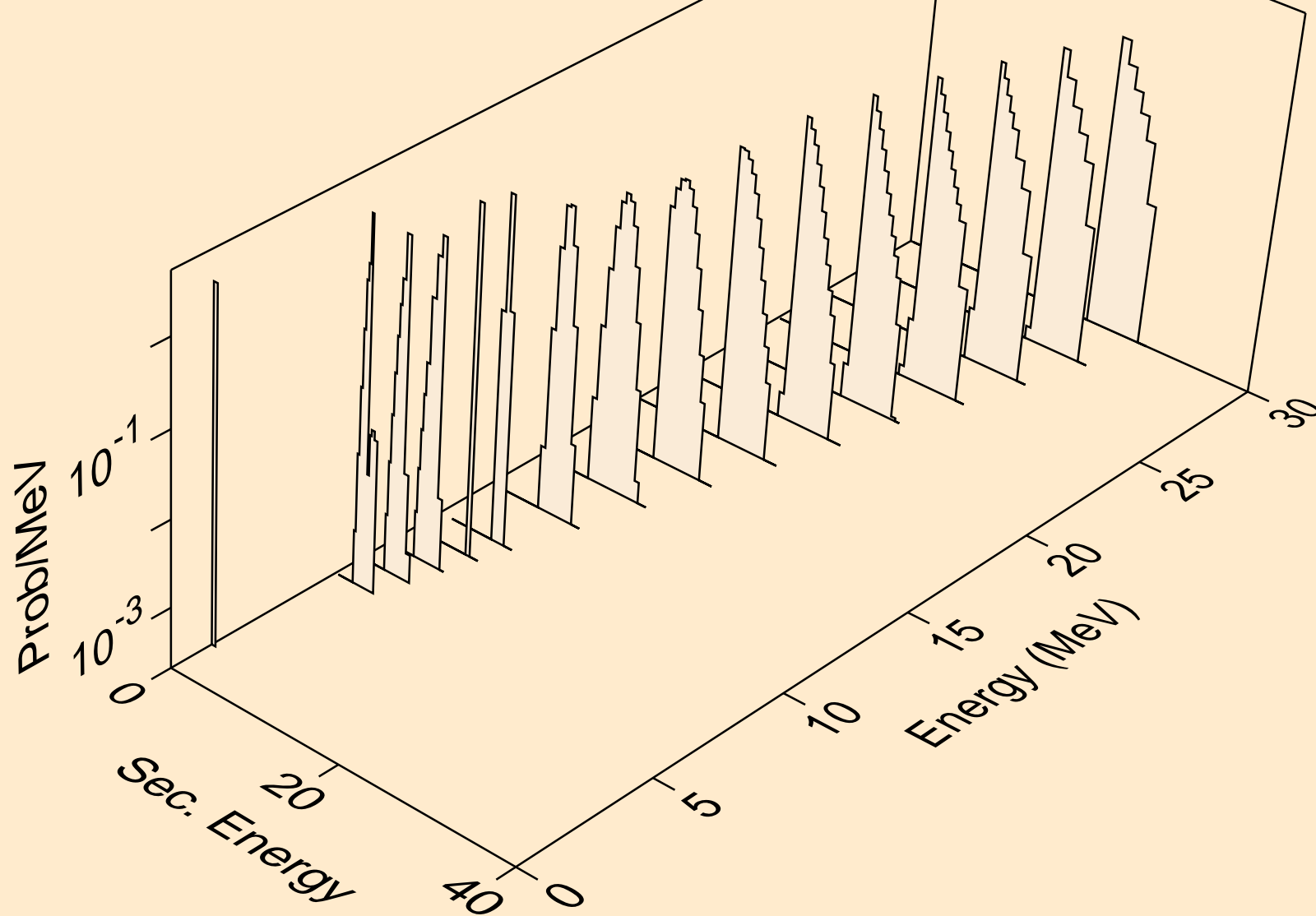
AU209 TRITON ACER TENDL-2021 LIBRARY; T=0.K
protons from (t,2np)



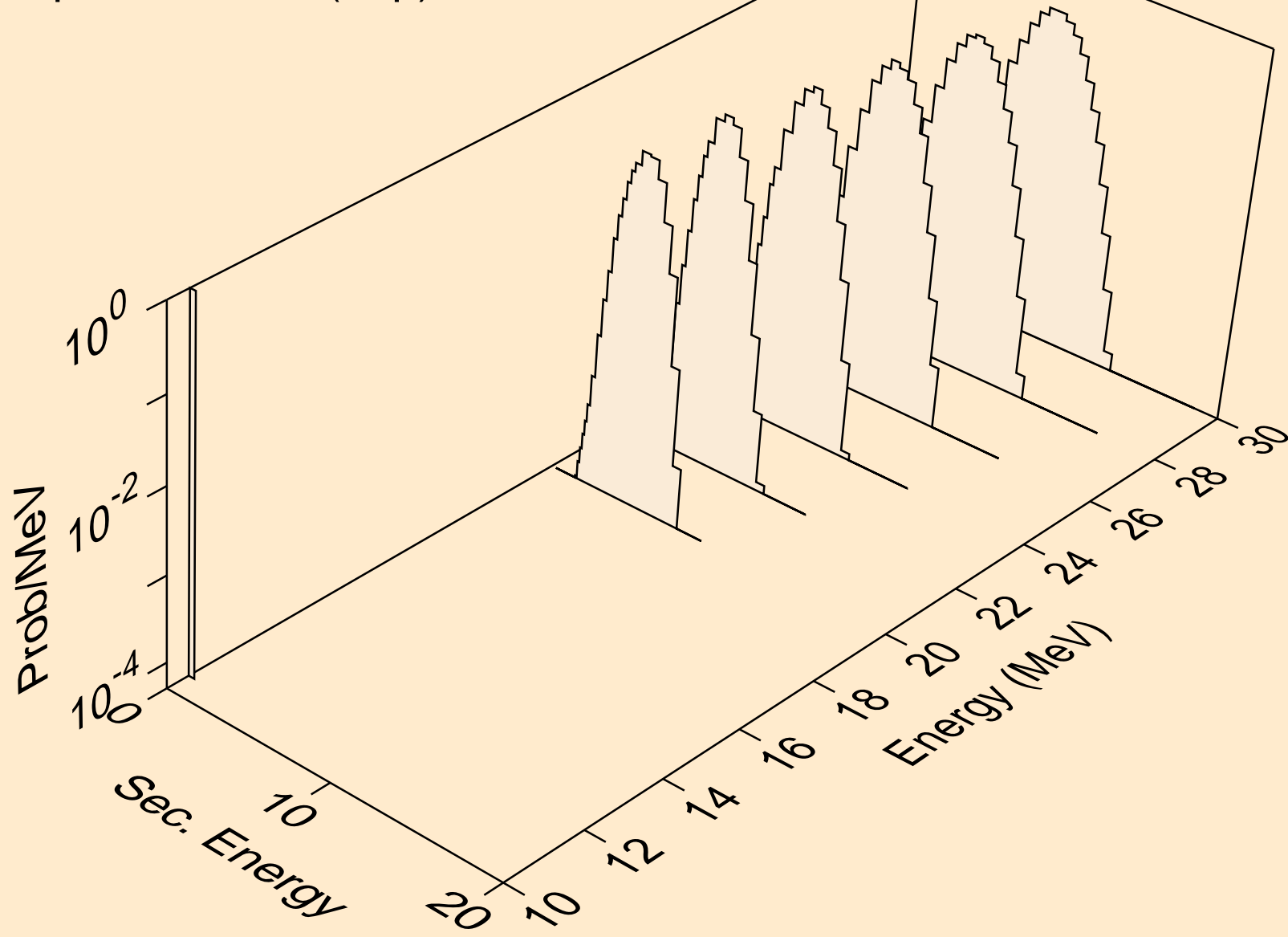
AU209 TRITON ACER TENDL-2021 LIBRARY; T=0.K
protons from (t,3np)



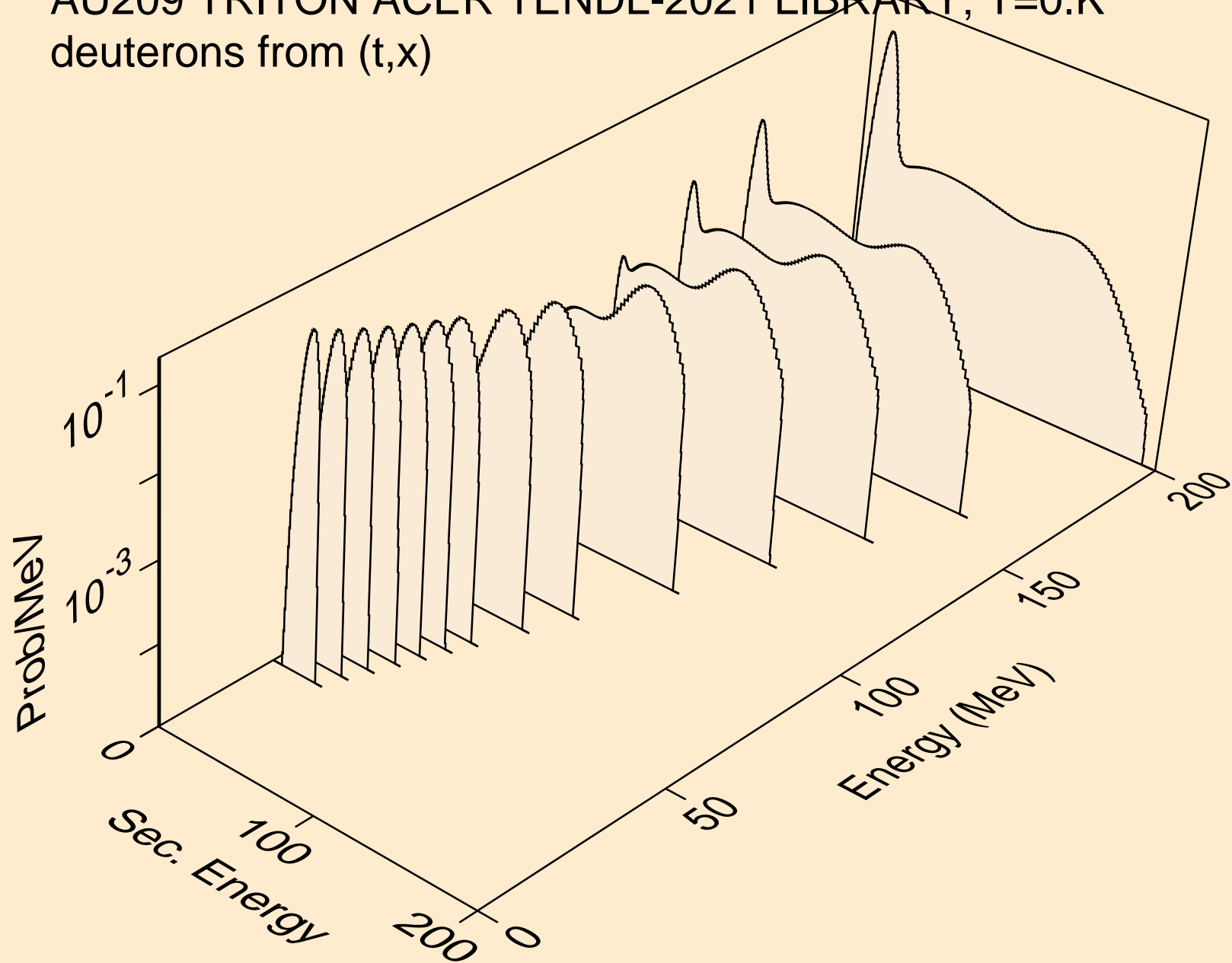
AU209 TRITON ACER TENDL-2021 LIBRARY; T=0.K
protons from (t,p)



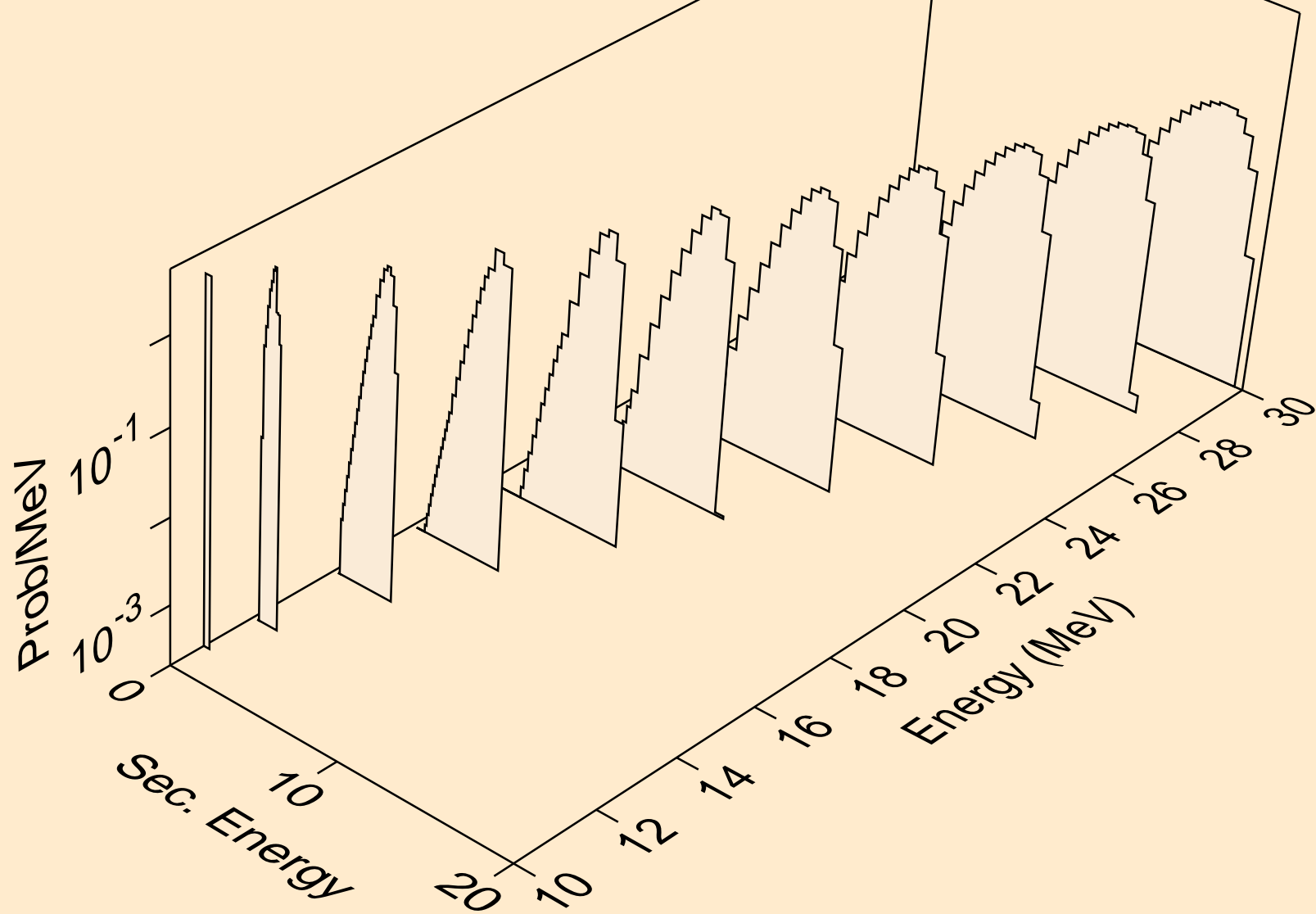
AU209 TRITON ACER TENDL-2021 LIBRARY; T=0.K
protons from (t,2p)



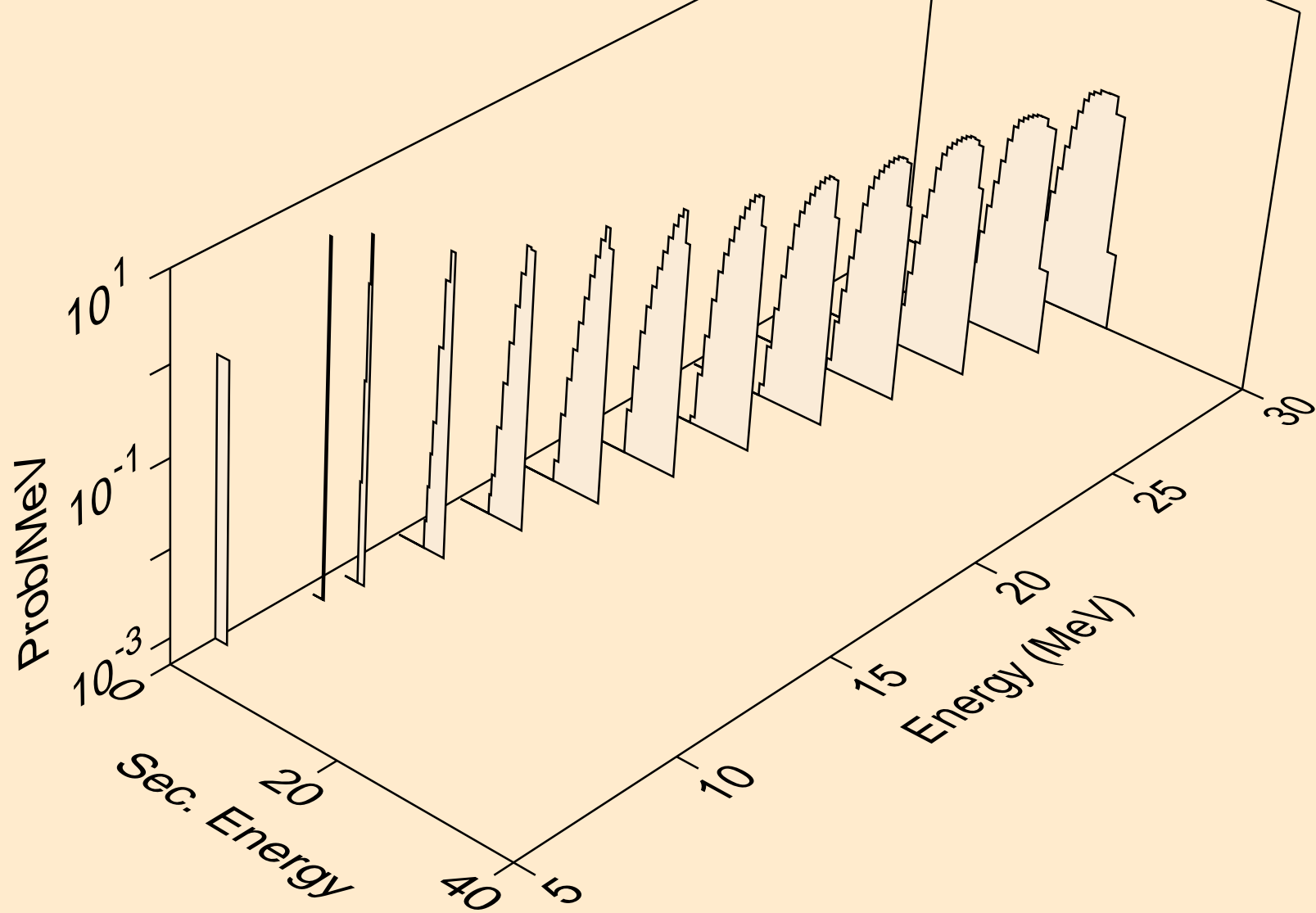
AU209 TRITON ACER TENDL-2021 LIBRARY; T=0.K
deuterons from (t,x)



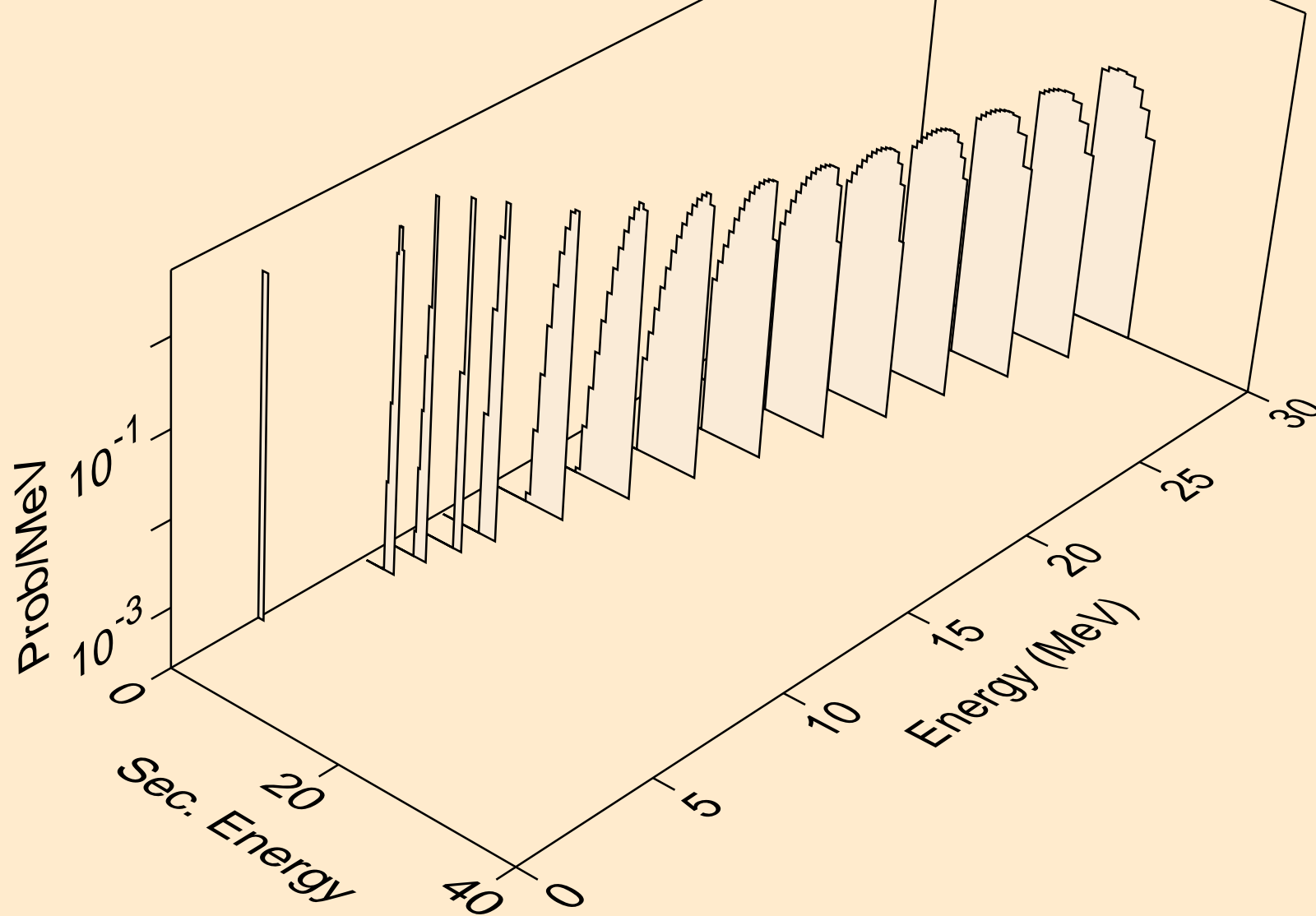
AU209 TRITON ACER TENDL-2021 LIBRARY; T=0.K
deuterons from (t,2nd)



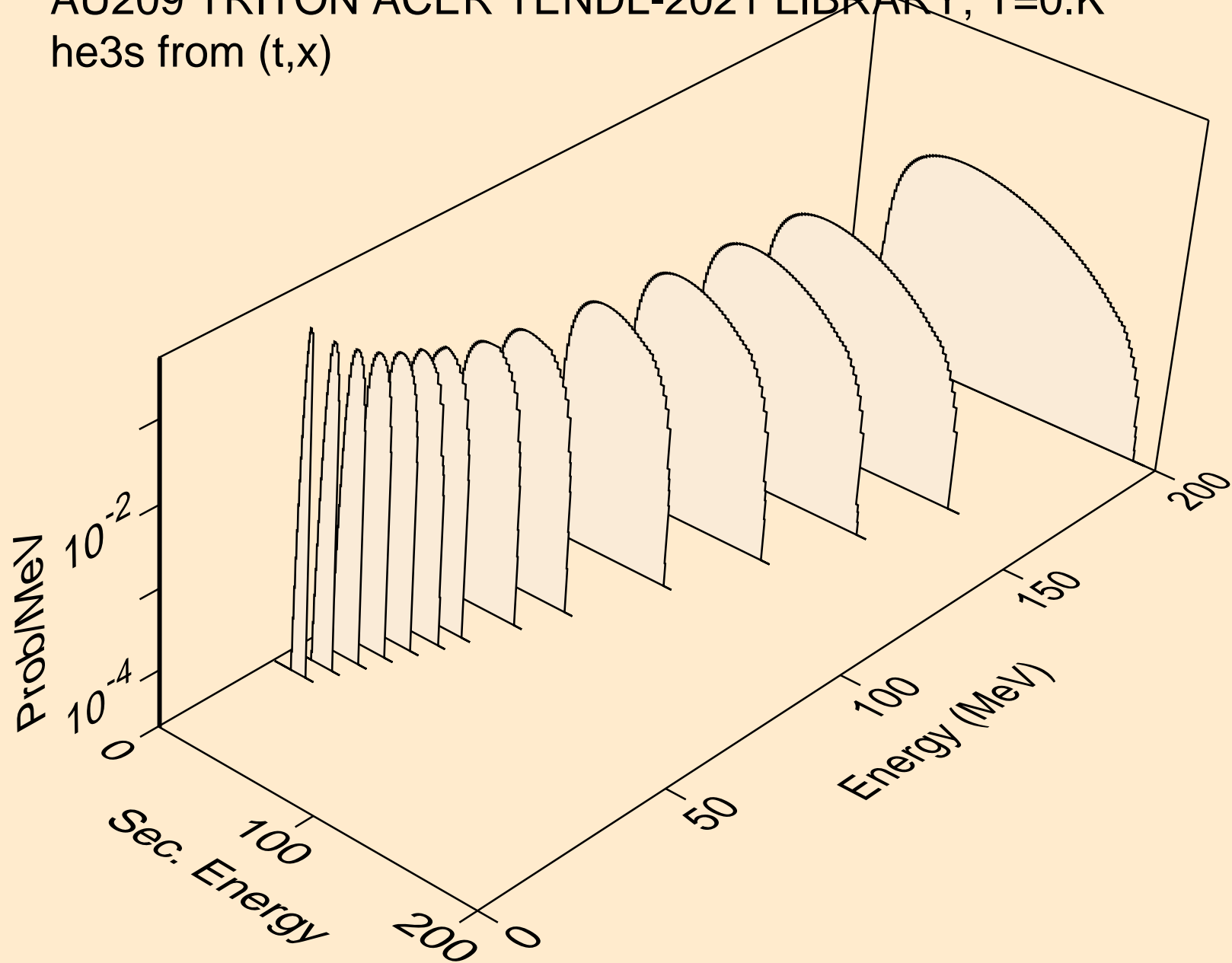
AU209 TRITON ACER TENDL-2021 LIBRARY; T=0.K
deuterons from (t,n*)d



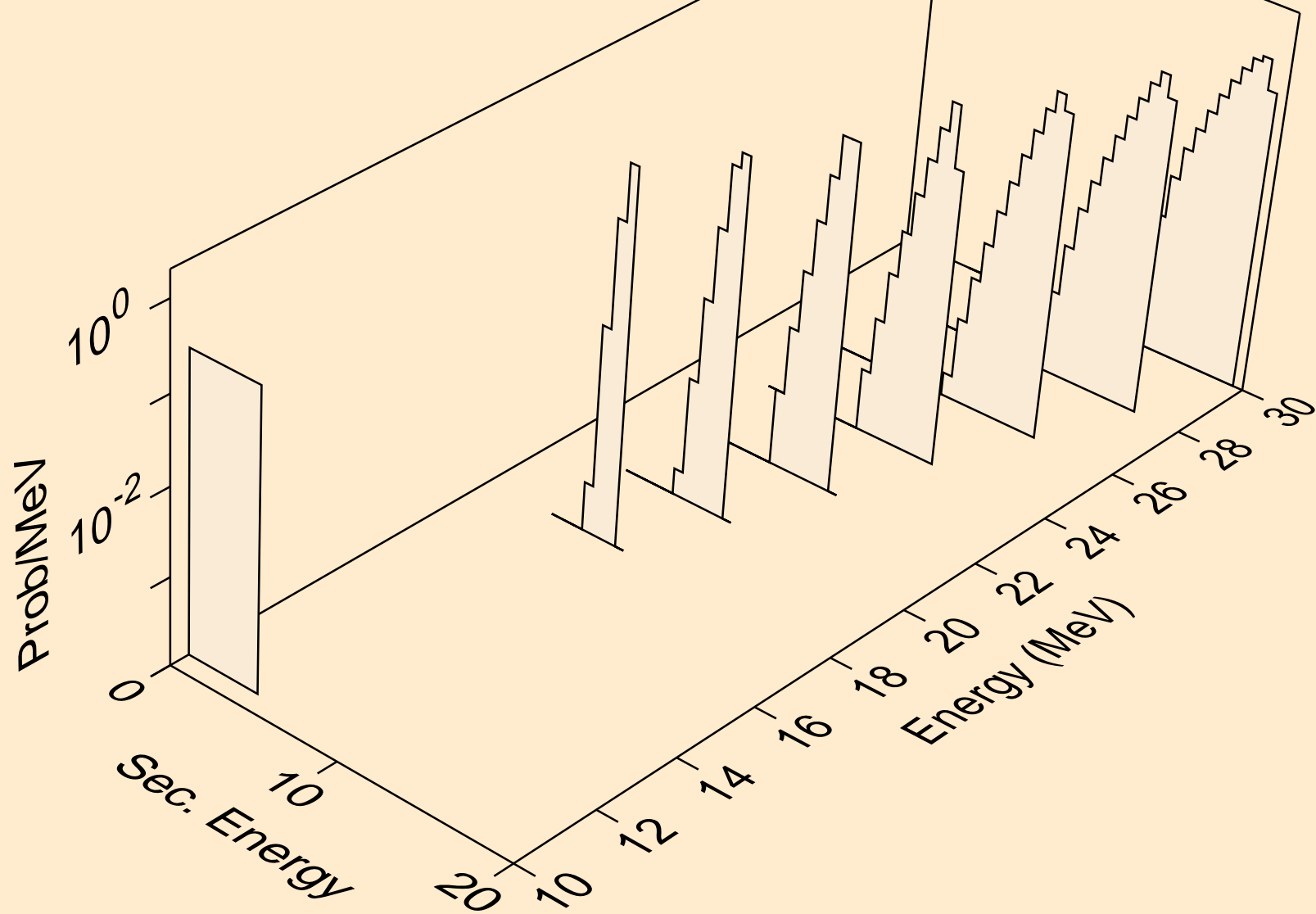
AU209 TRITON ACER TENDL-2021 LIBRARY; T=0.K
deuterons from (t,d)



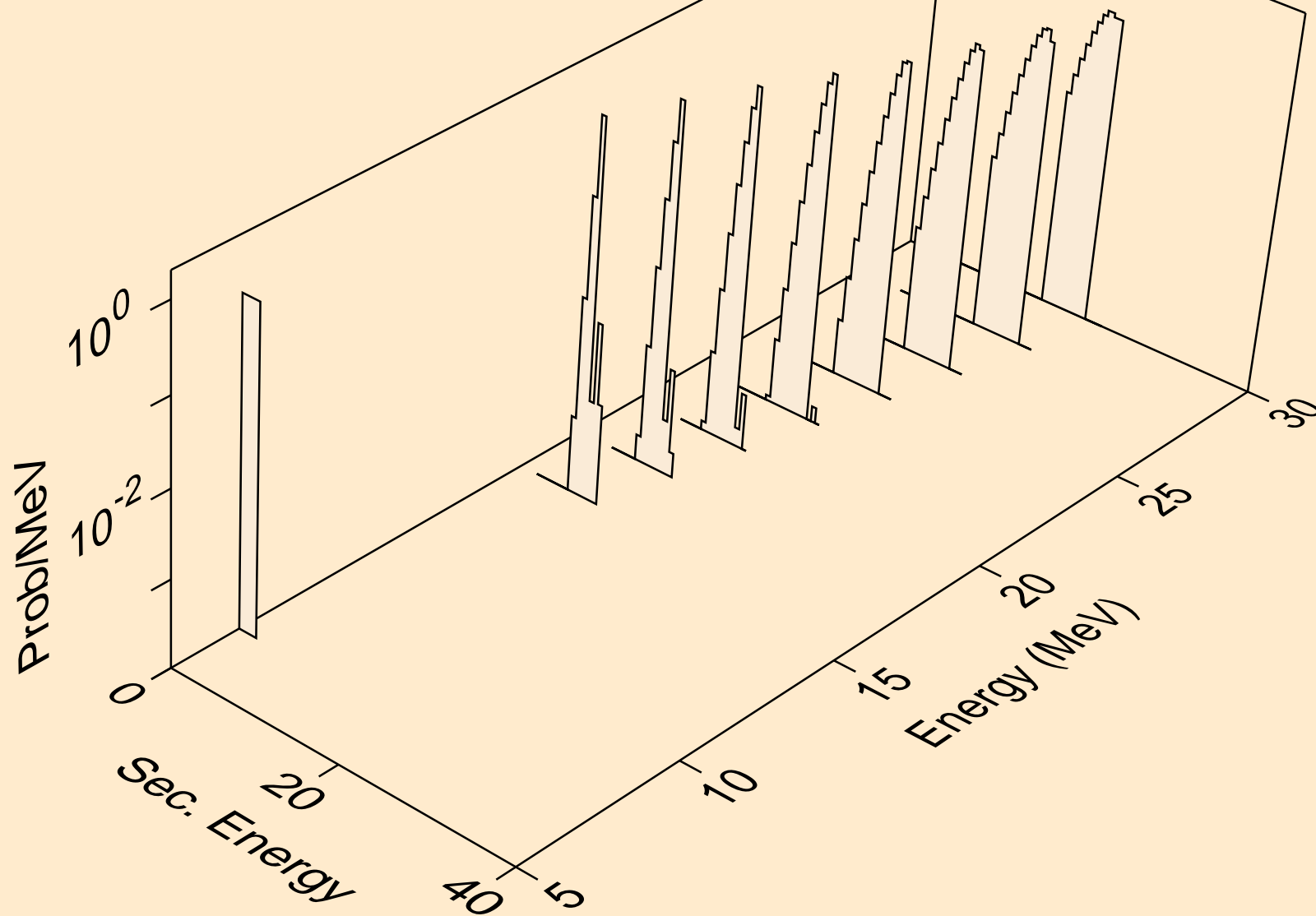
AU209 TRITON ACER TENDL-2021 LIBRARY; T=0.K
he3s from (t,x)



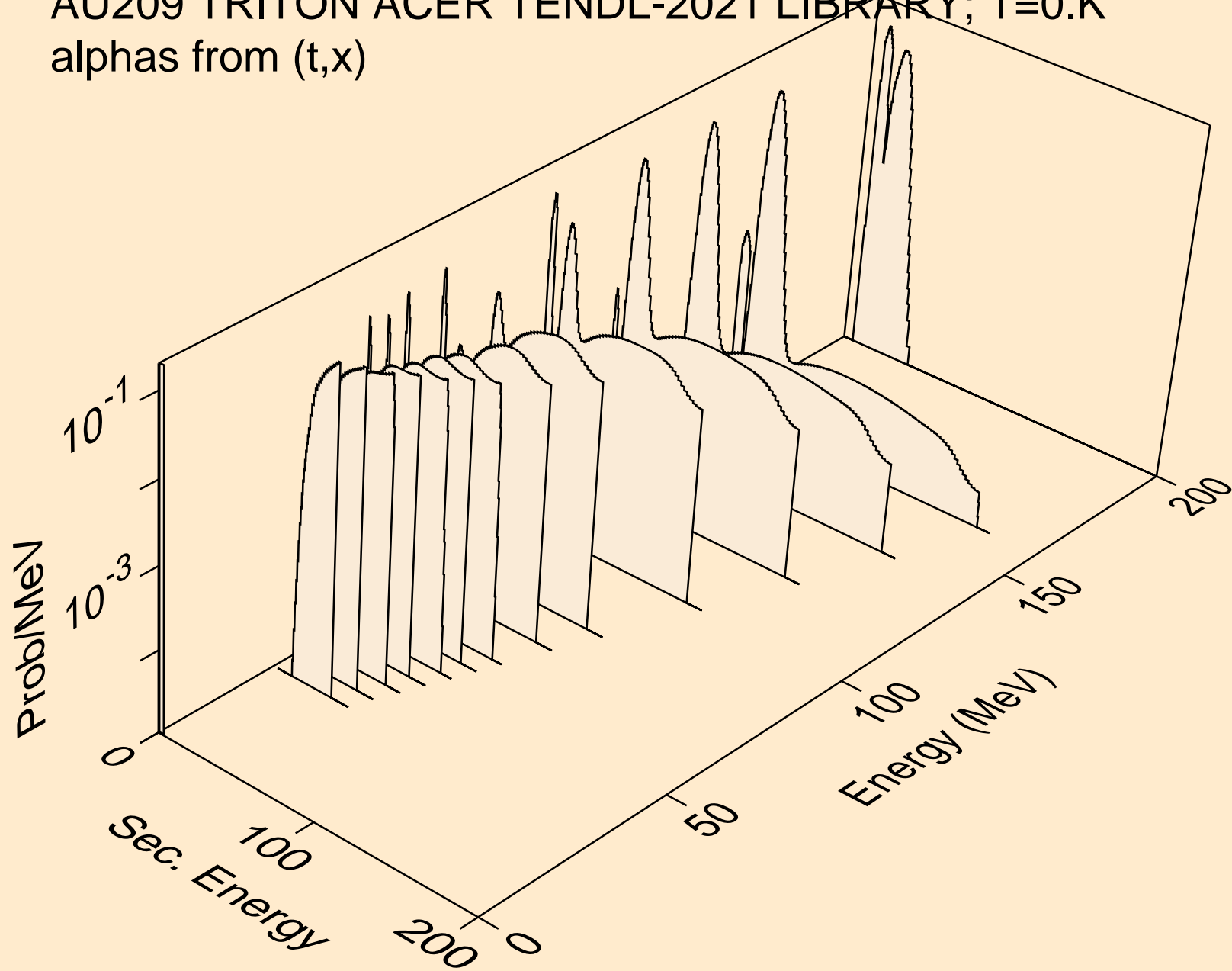
AU209 TRITON ACER TENDL-2021 LIBRARY; T=0.K
he3s from (t,n*)he3



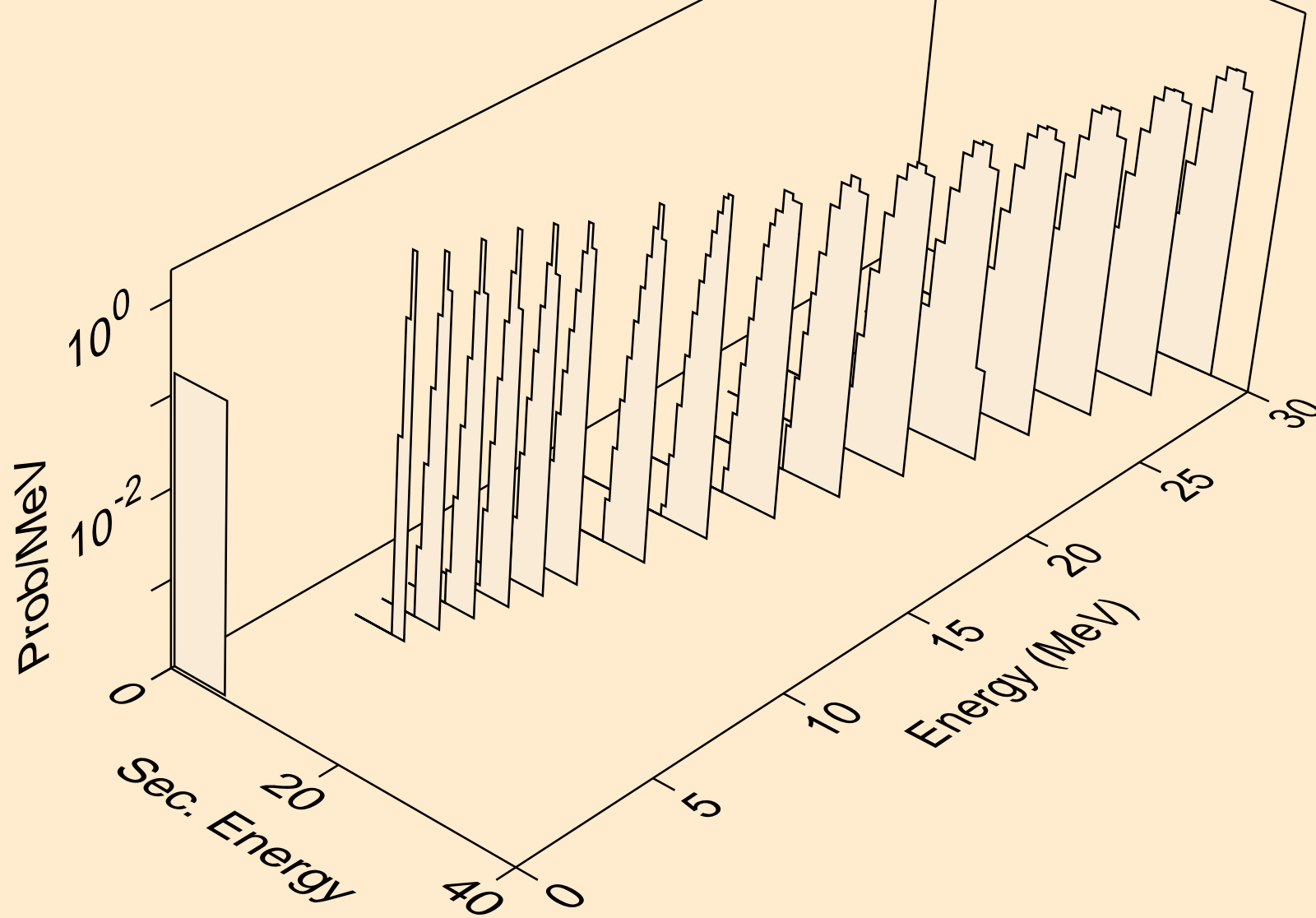
AU209 TRITON ACER TENDL-2021 LIBRARY; T=0.K
he3s from (t,he3)



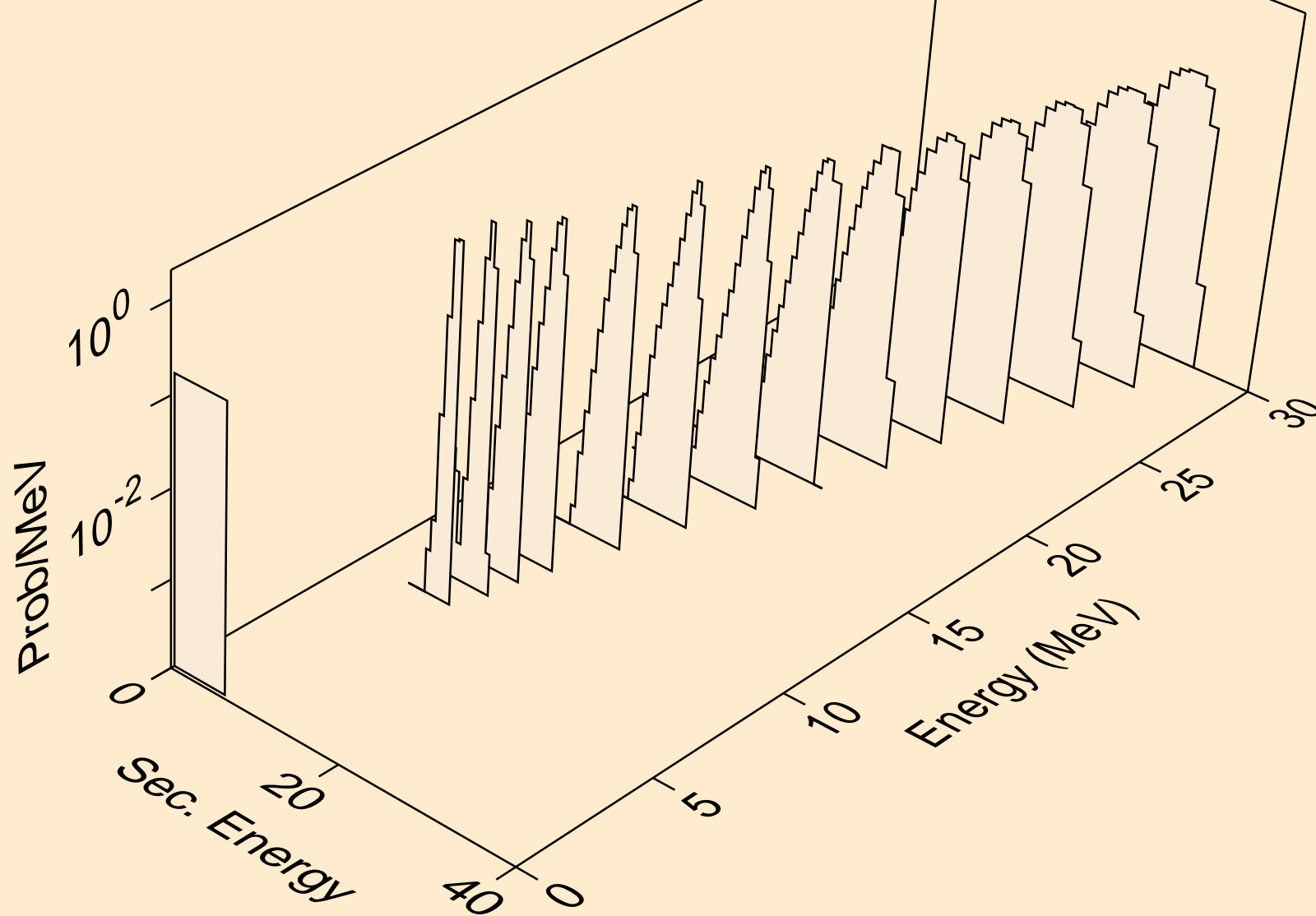
AU209 TRITON ACER TENDL-2021 LIBRARY; T=0.K
alphas from (t,x)



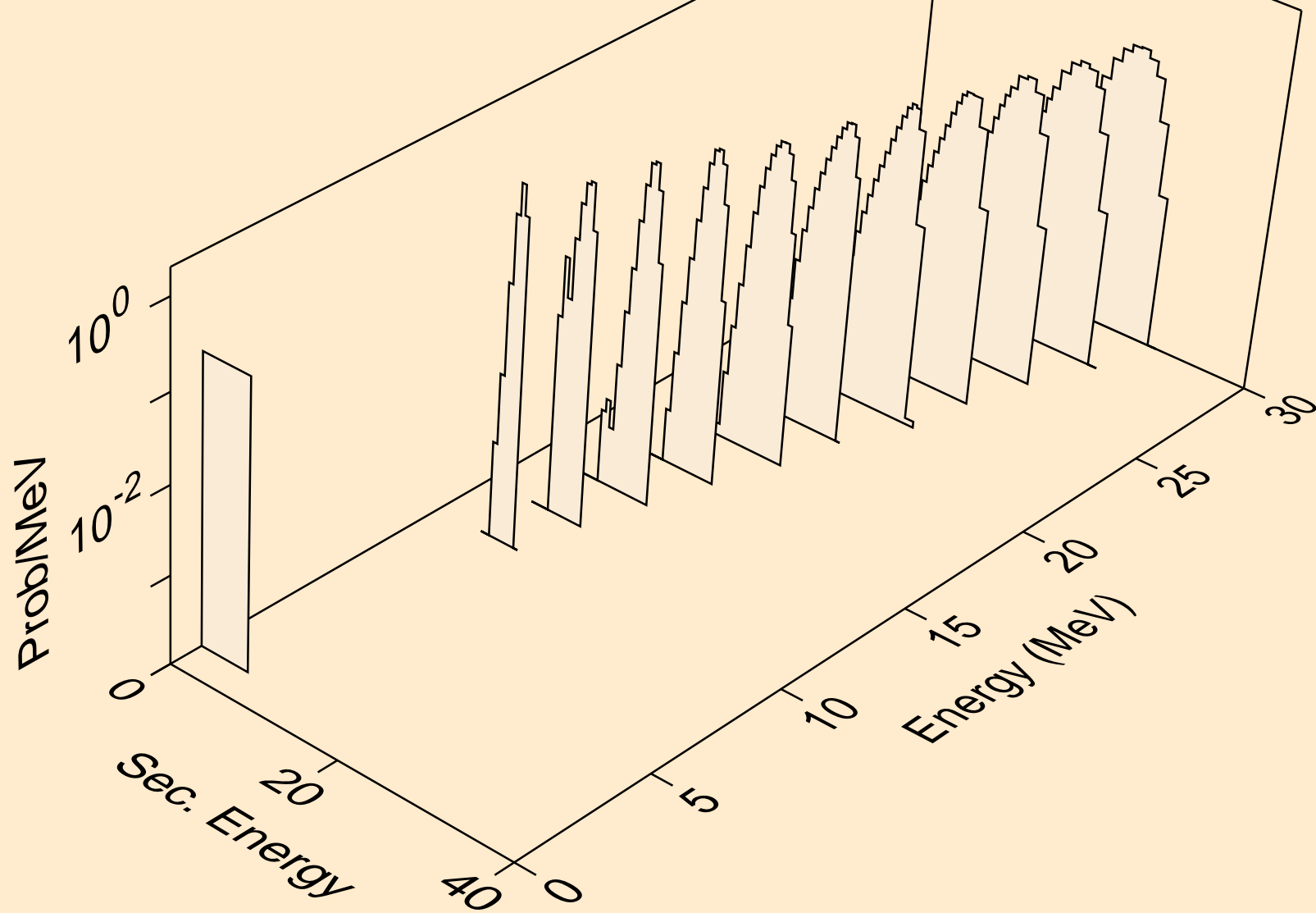
AU209 TRITON ACER TENDL-2021 LIBRARY; T=0.K
alphas from (t,n*)a



AU209 TRITON ACER TENDL-2021 LIBRARY; T=0.K
alphas from (t,2n)a



AU209 TRITON ACER TENDL-2021 LIBRARY; T=0.K
alphas from (t,3n)a



AU209 TRITON ACER TENDL-2021 LIBRARY; T=0.K
alphas from (t,a)

