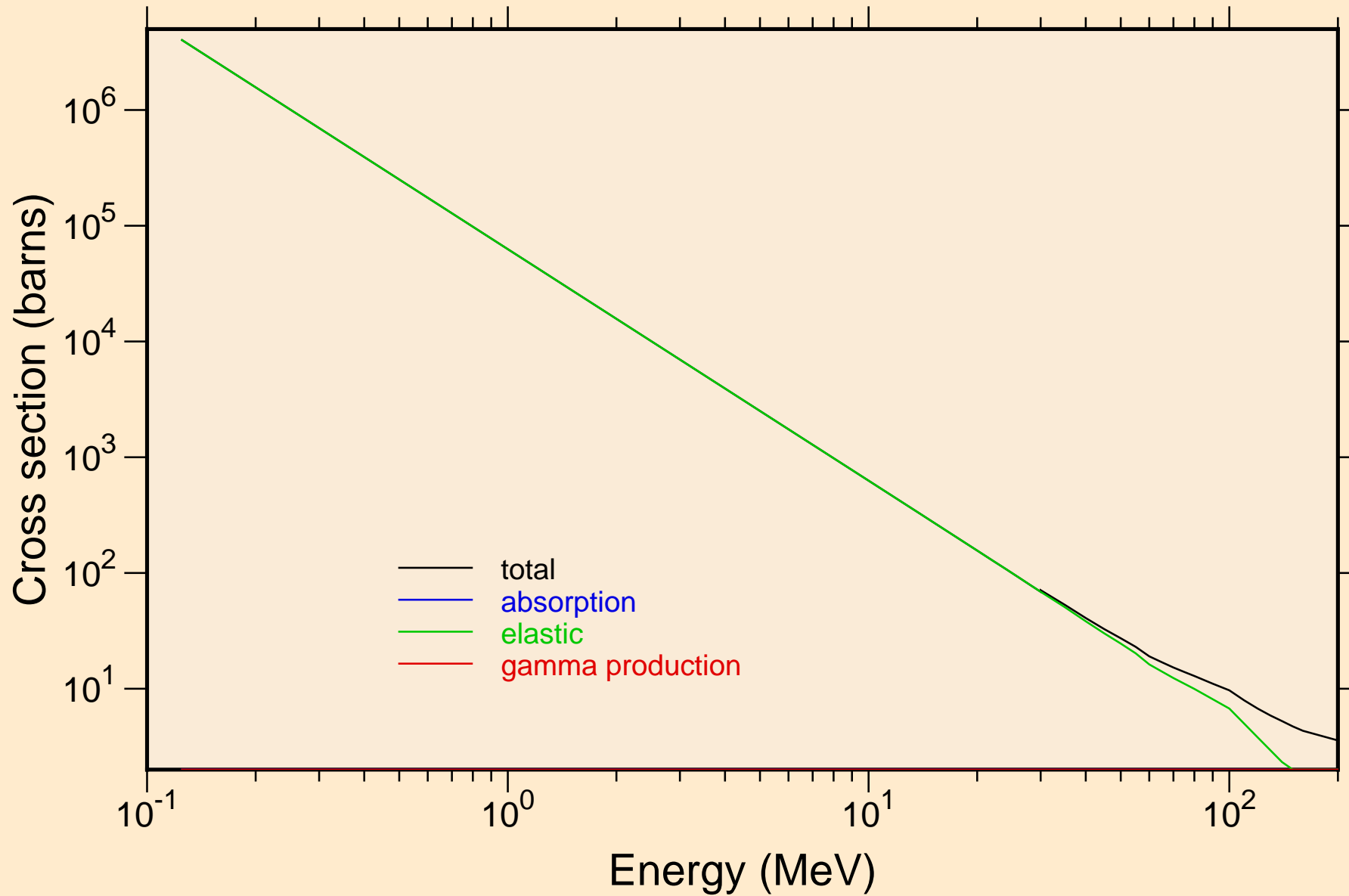
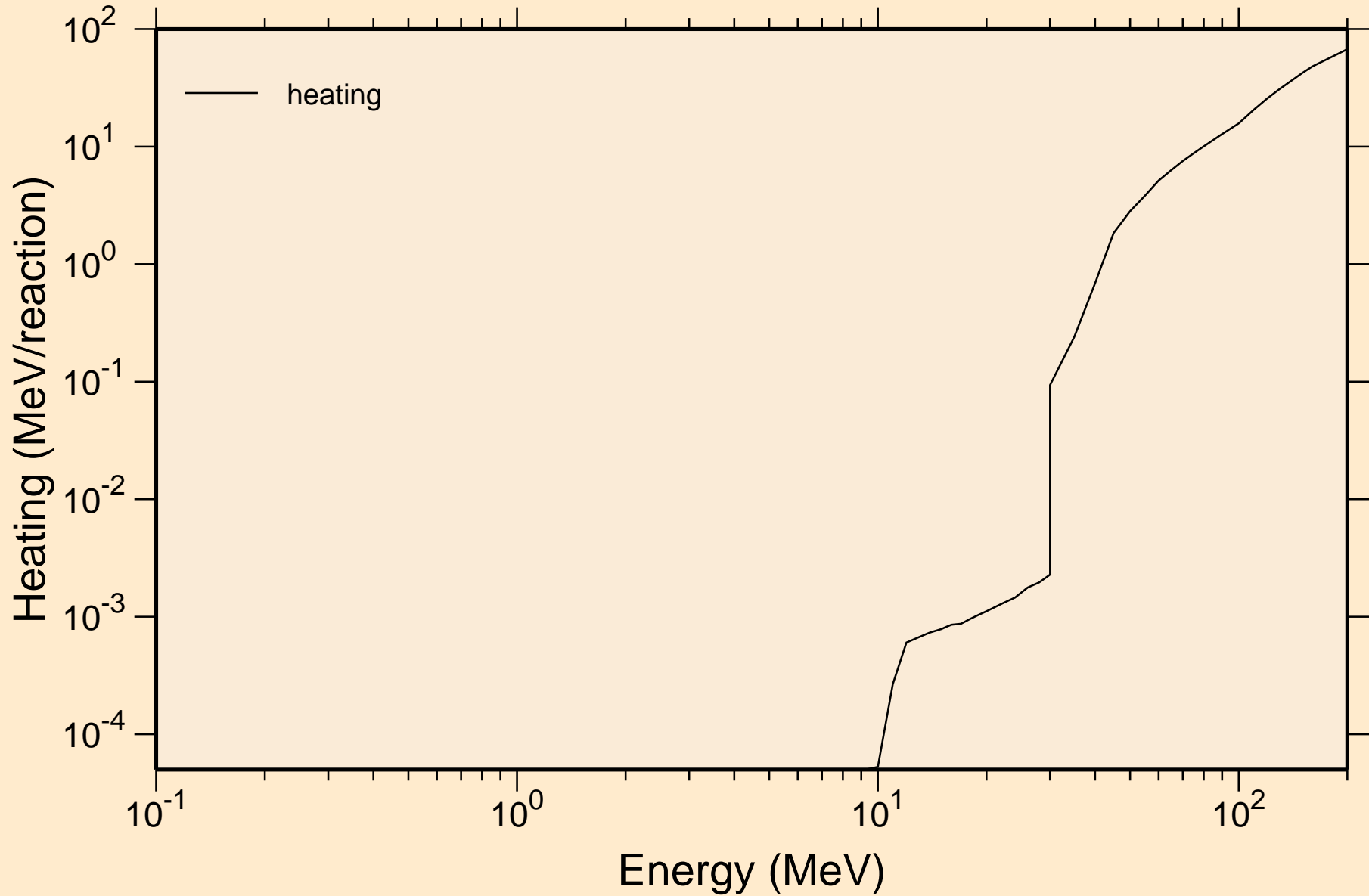


FM259 TRITON ACER TENDL-2021 LIBRARY; T=0.K  
Principal cross sections



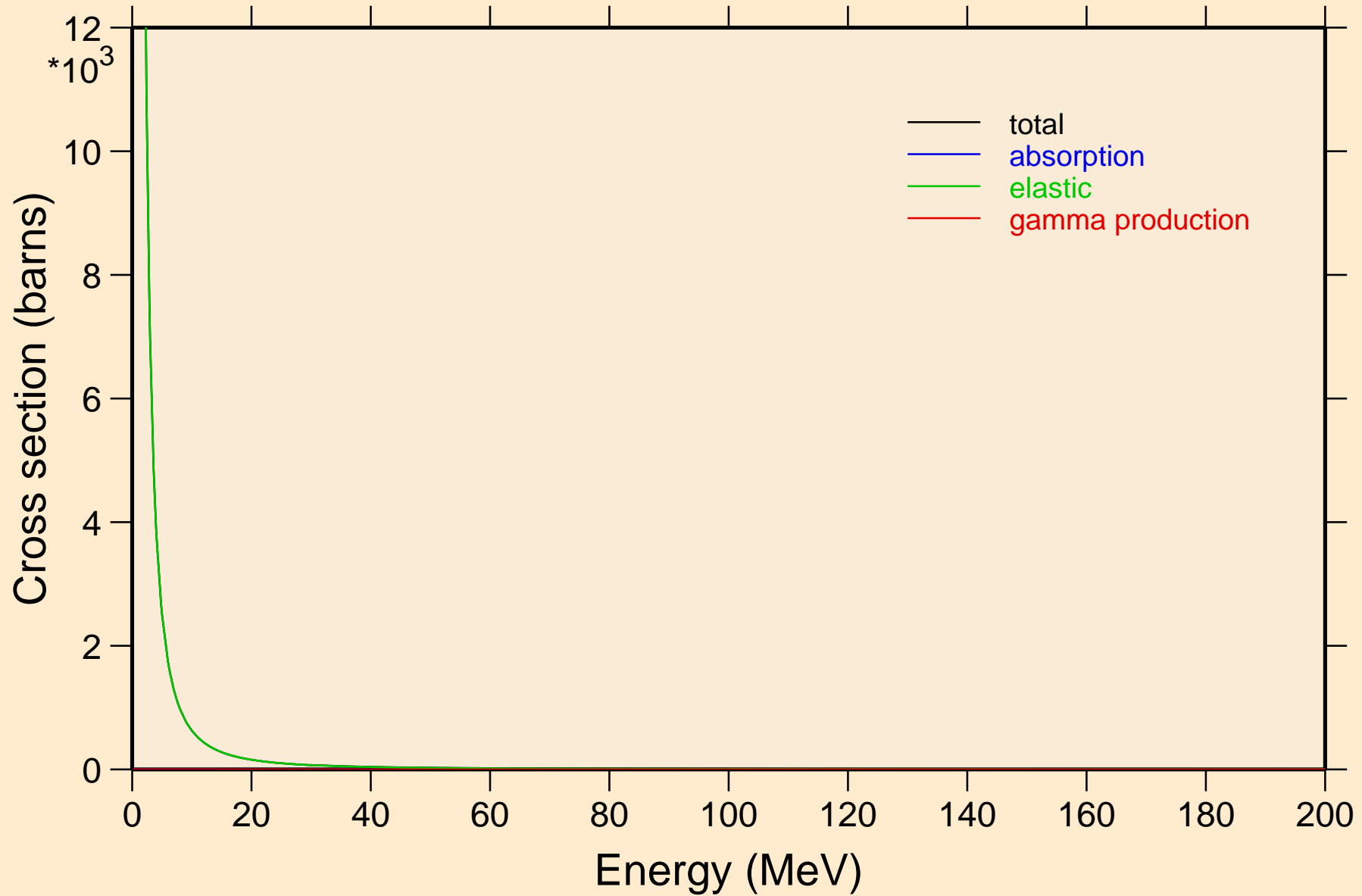
# FM259 TRITON ACER TENDL-2021 LIBRARY; T=0.K

## Heating



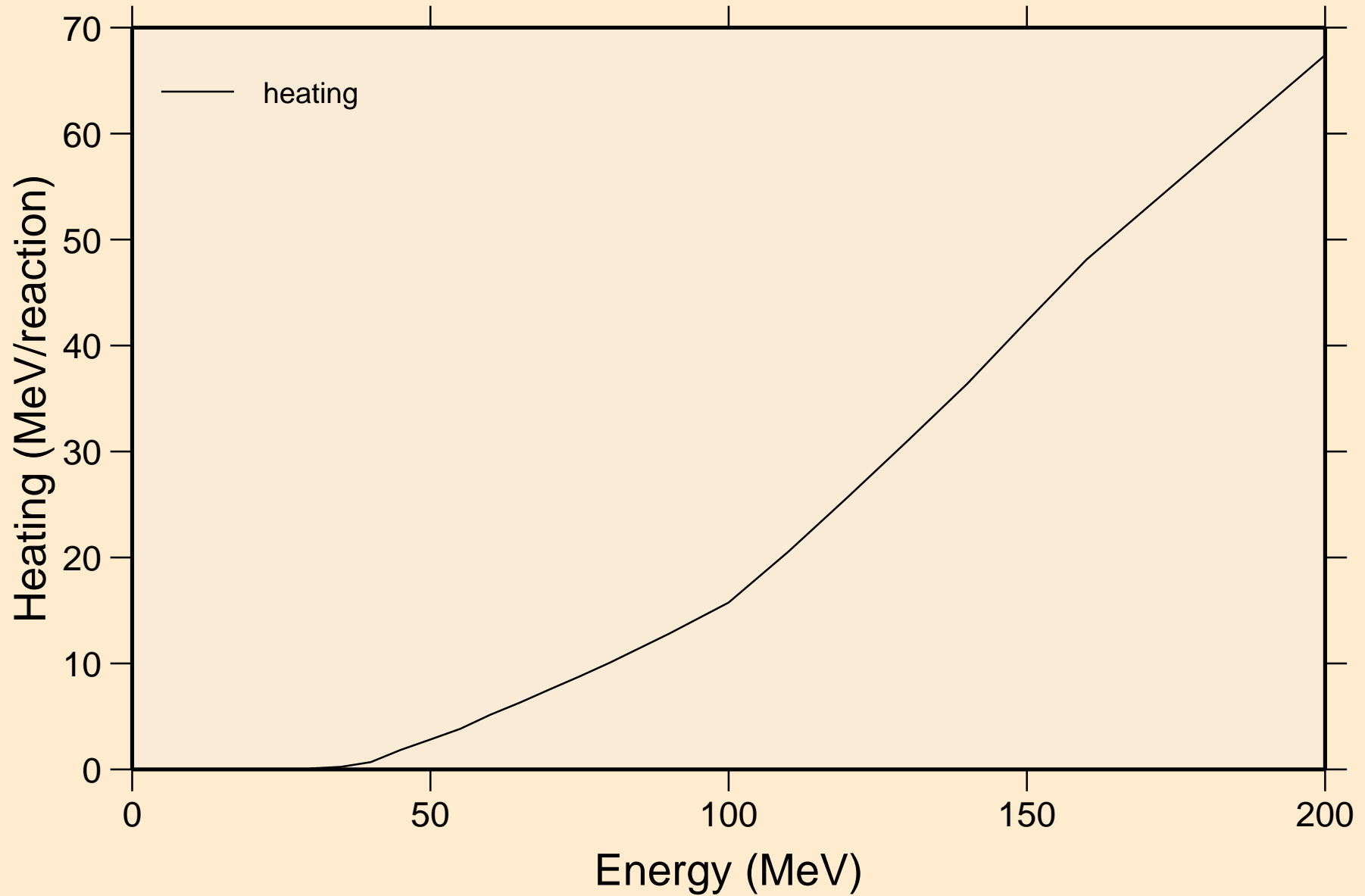
# FM259 TRITON ACER TENDL-2021 LIBRARY; T=0.K

## Principal cross sections

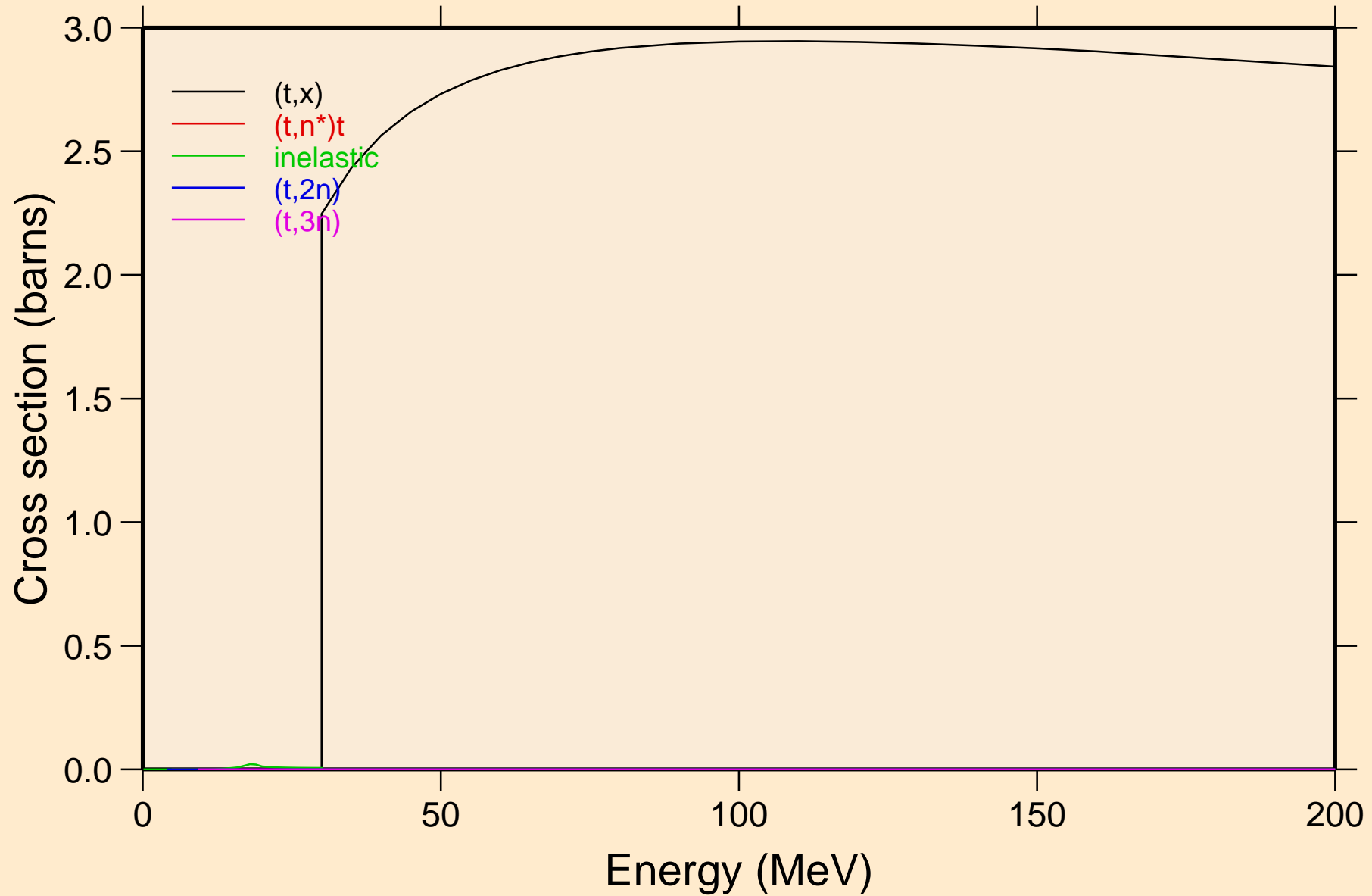


FM259 TRITON ACER TENDL-2021 LIBRARY; T=0.K

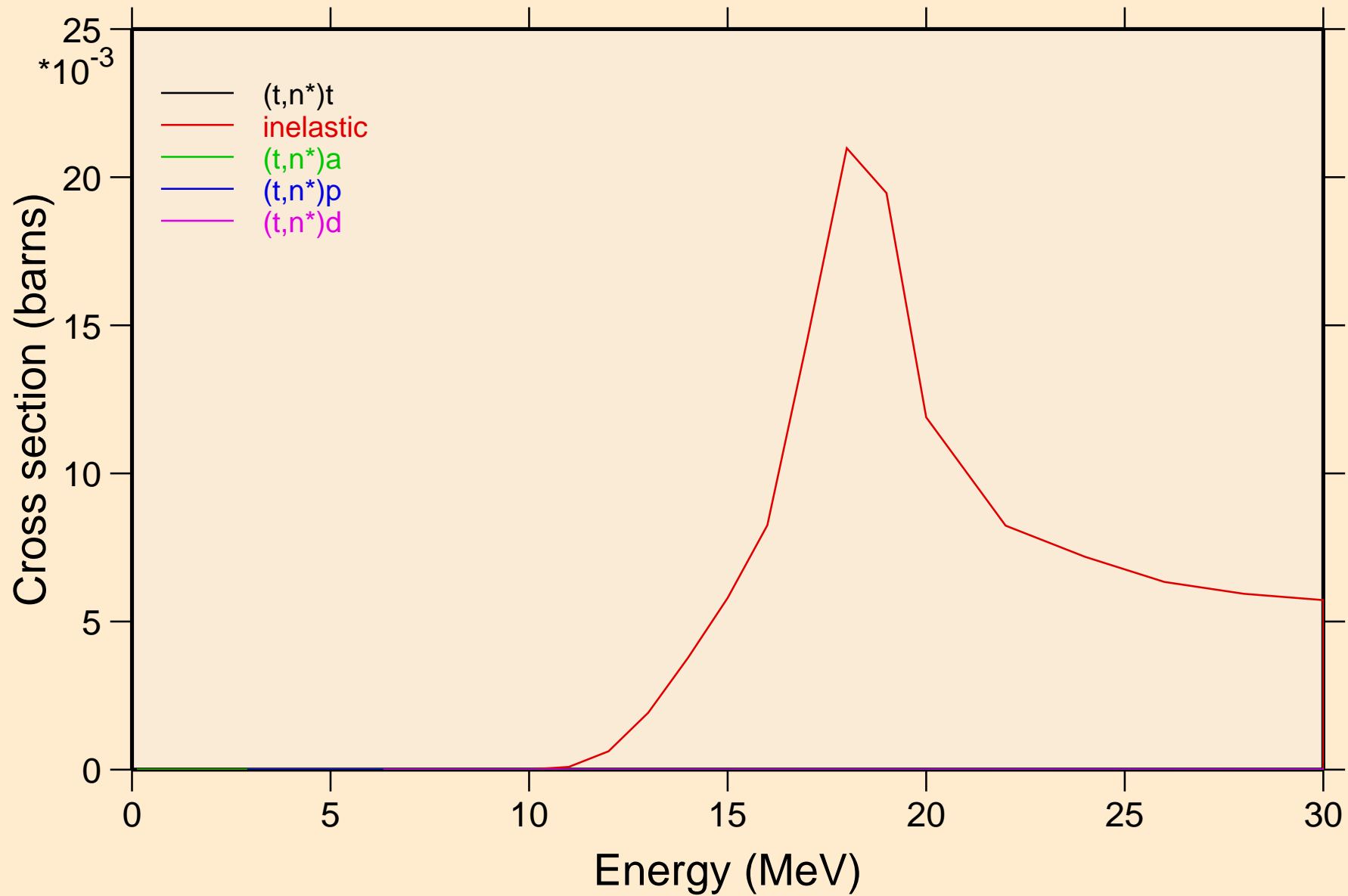
Heating



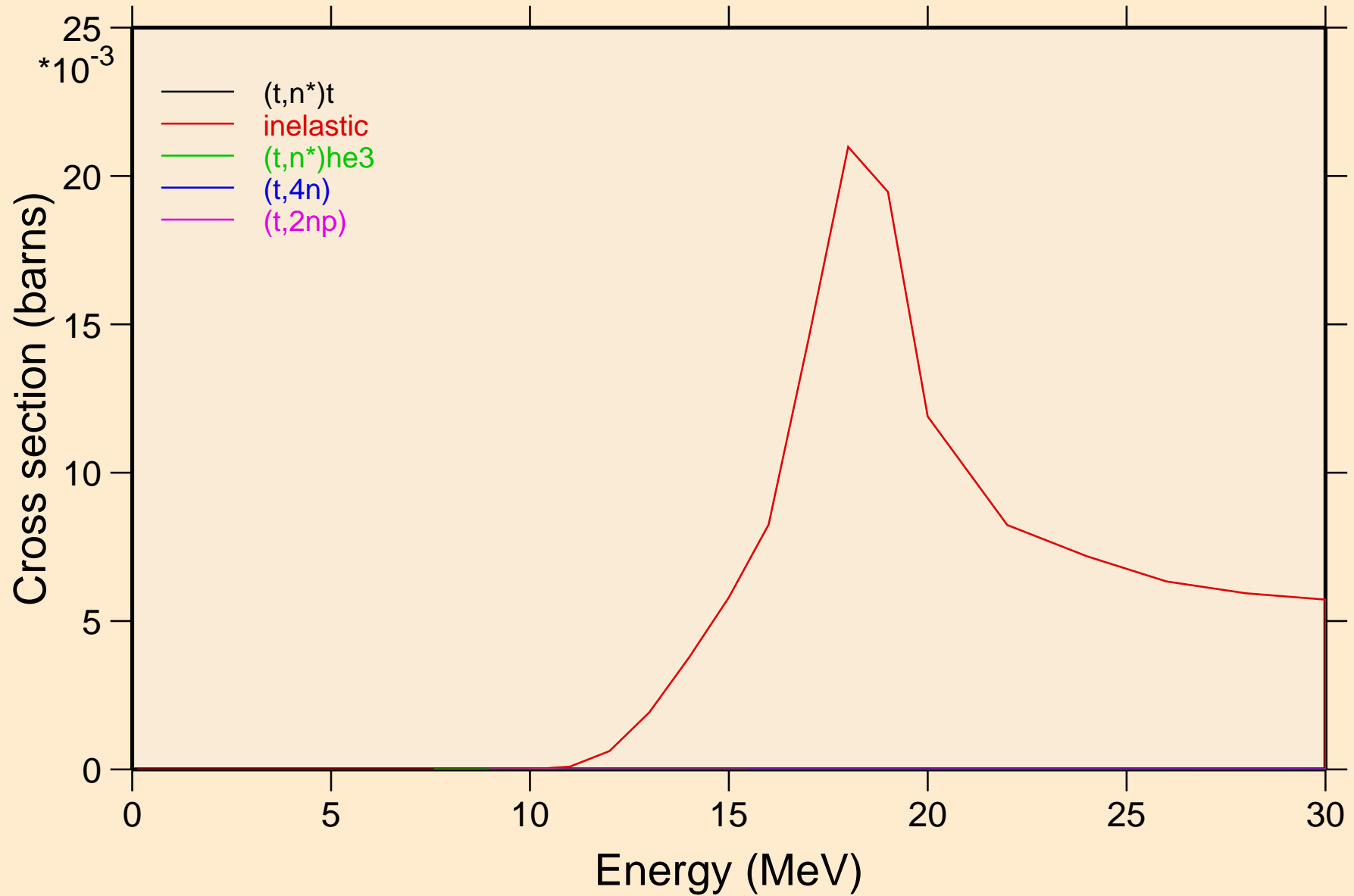
FM259 TRITON ACER TENDL-2021 LIBRARY; T=0.K  
Threshold reactions



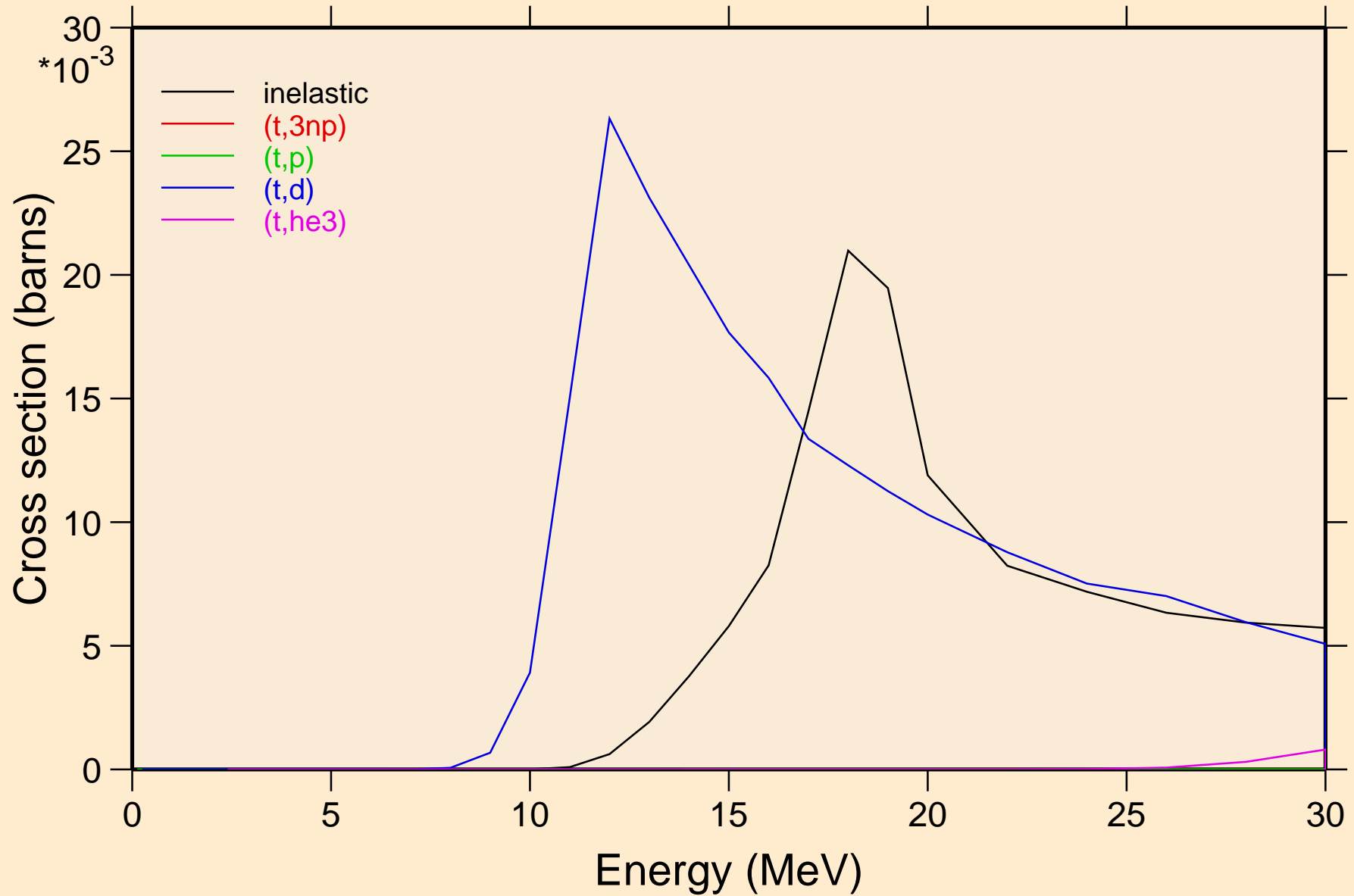
FM259 TRITON ACER TENDL-2021 LIBRARY; T=0.K  
Threshold reactions



FM259 TRITON ACER TENDL-2021 LIBRARY; T=0.K  
Threshold reactions

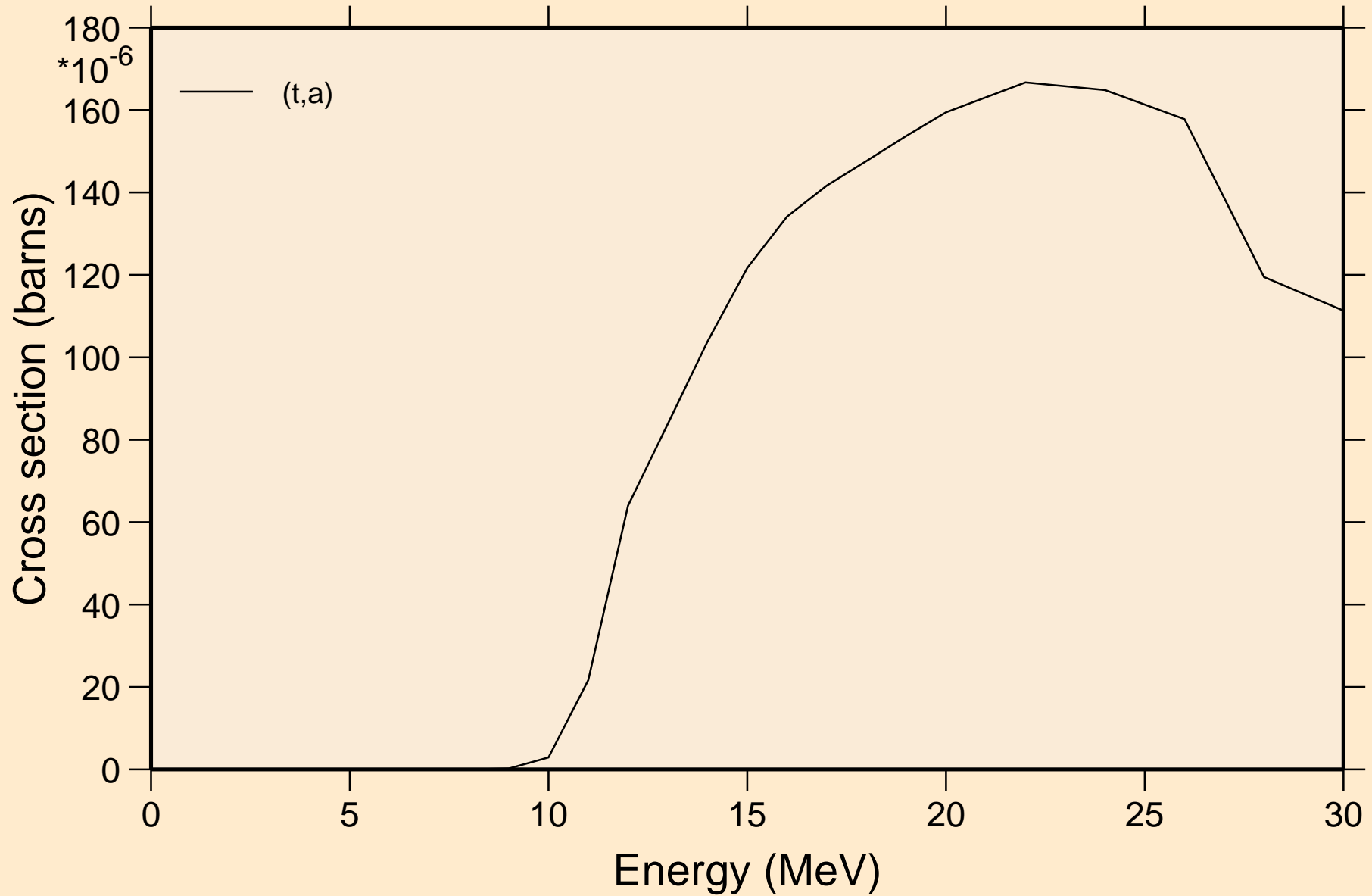


FM259 TRITON ACER TENDL-2021 LIBRARY; T=0.K  
Threshold reactions

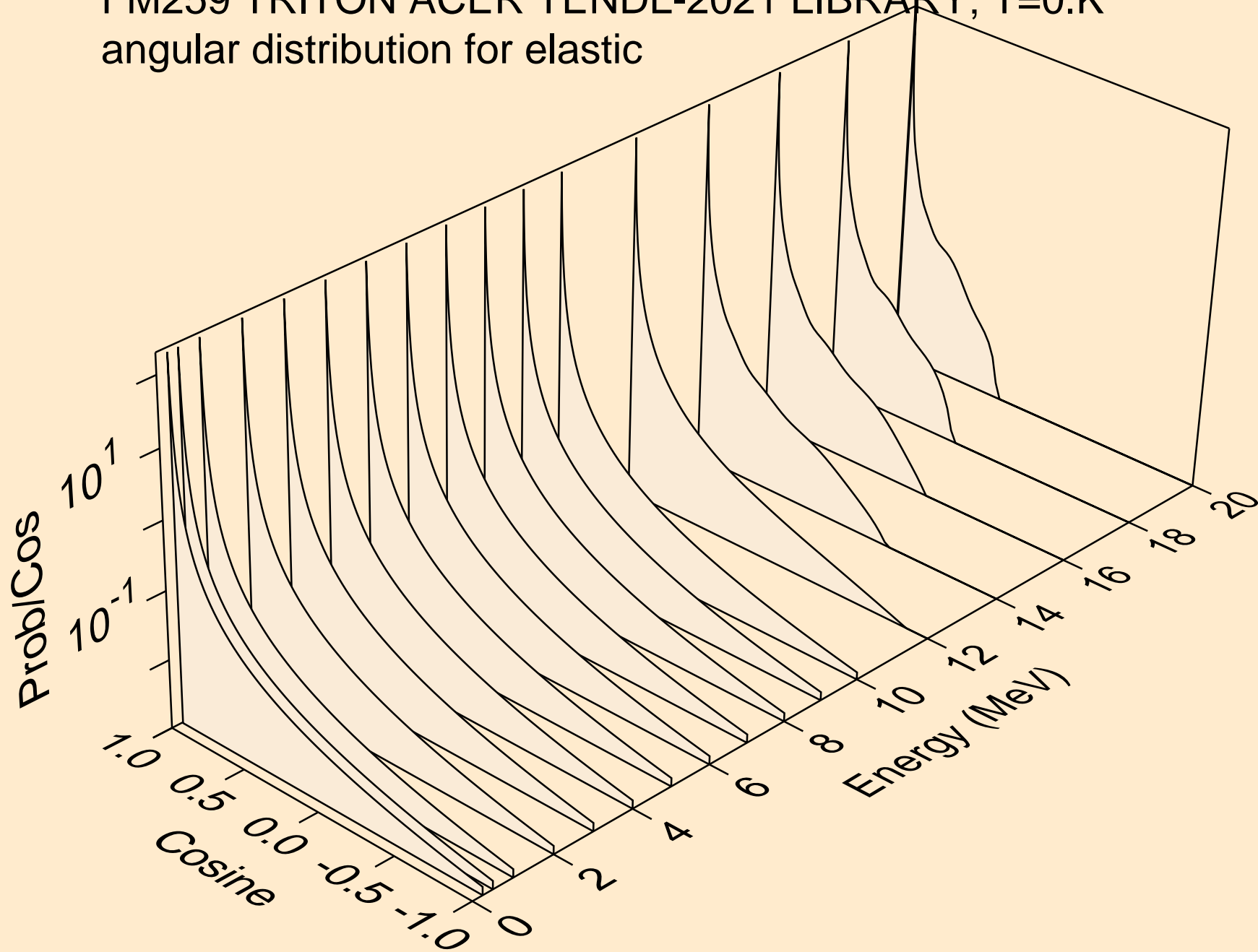




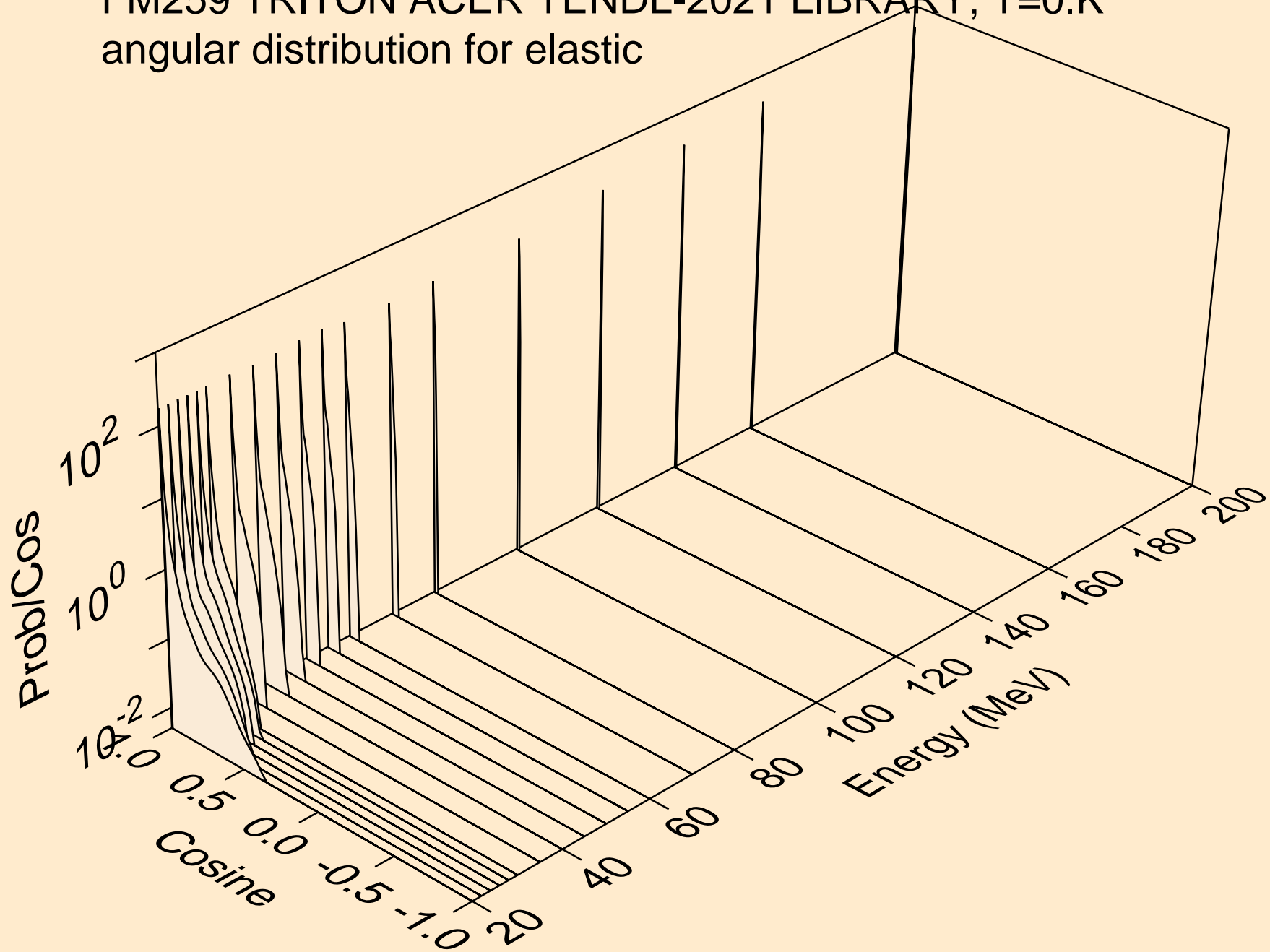
FM259 TRITON ACER TENDL-2021 LIBRARY; T=0.K  
Threshold reactions



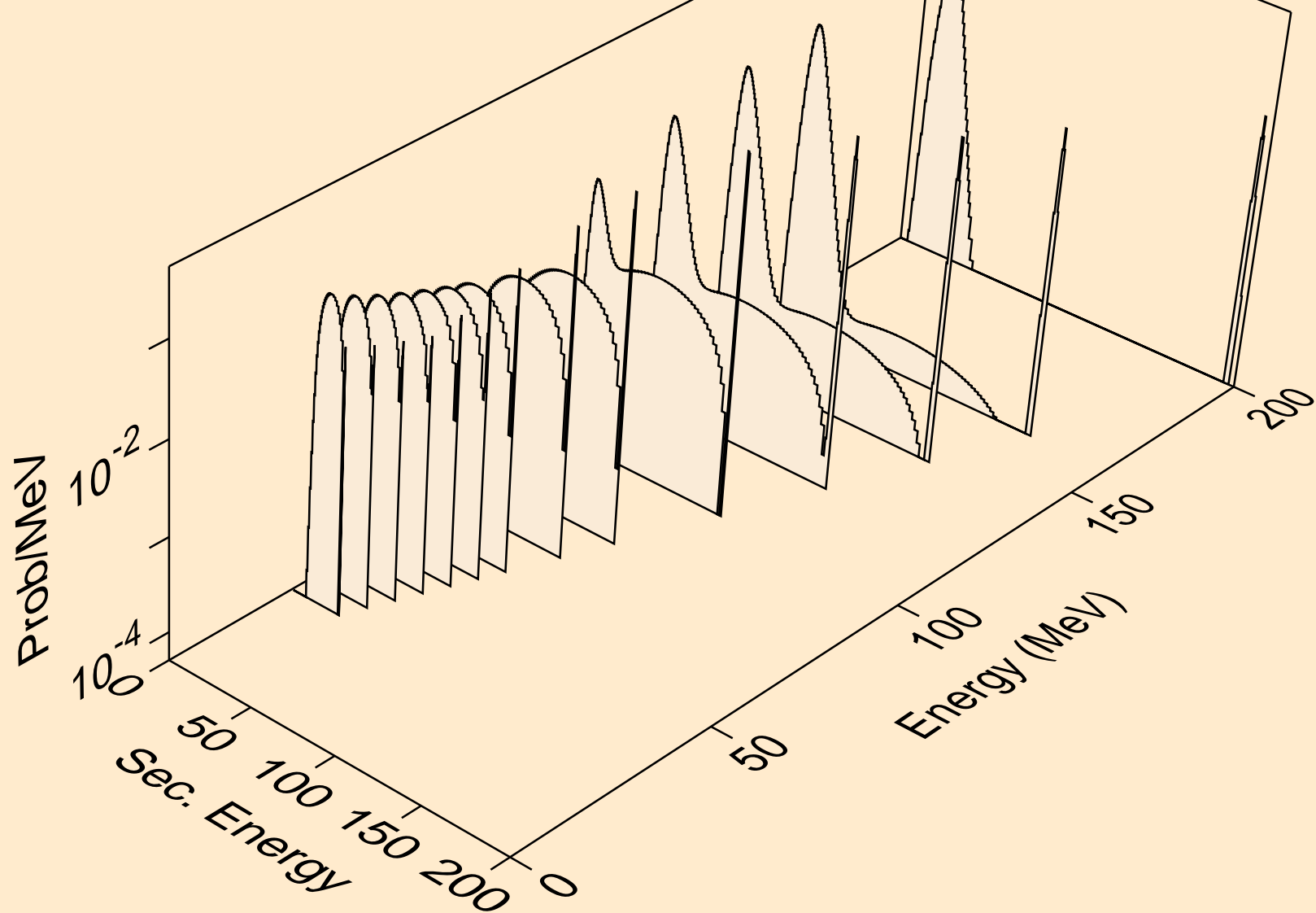
FM259 TRITON ACER TENDL-2021 LIBRARY; T=0.K  
angular distribution for elastic



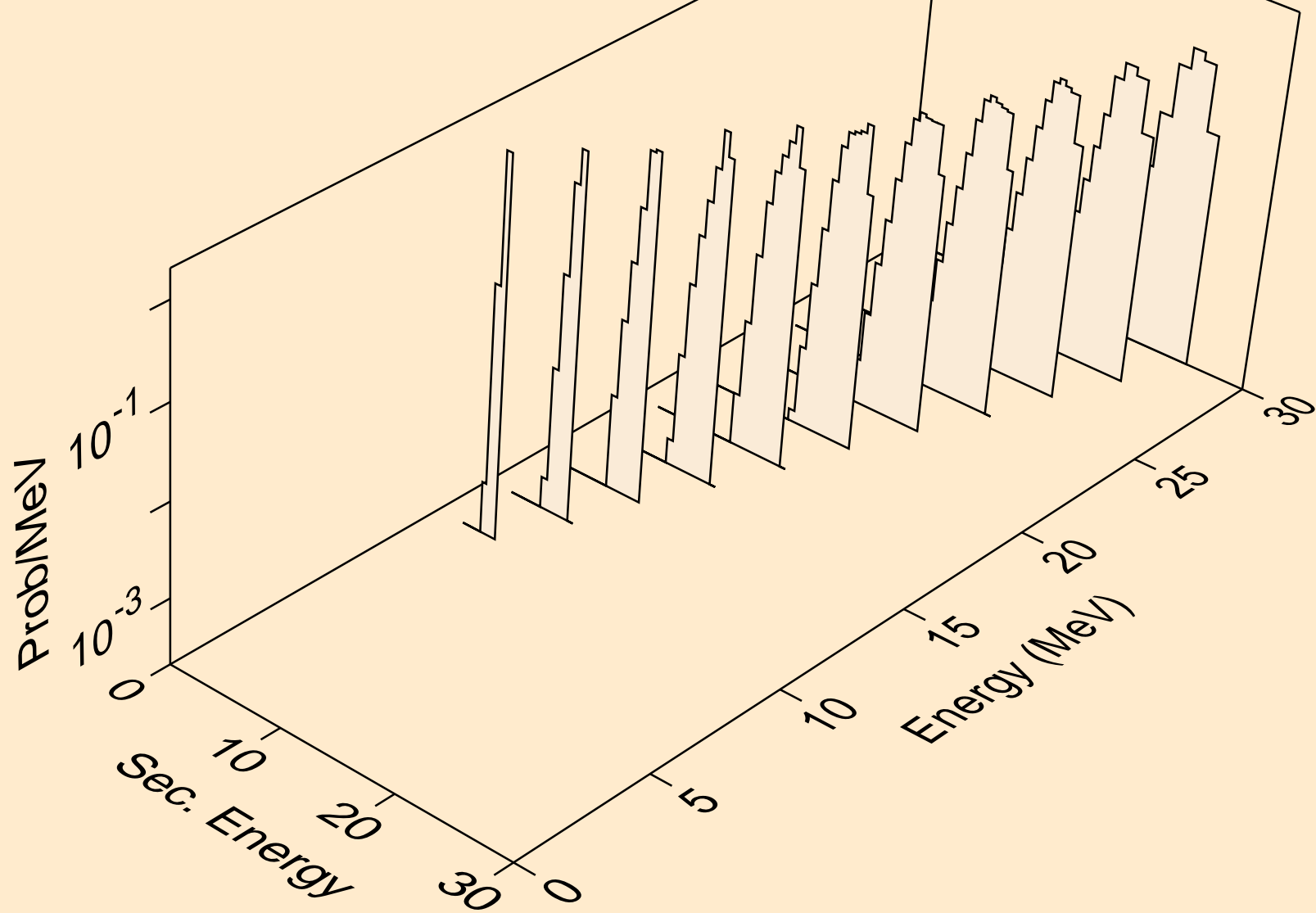
FM259 TRITON ACER TENDL-2021 LIBRARY; T=0.K  
angular distribution for elastic



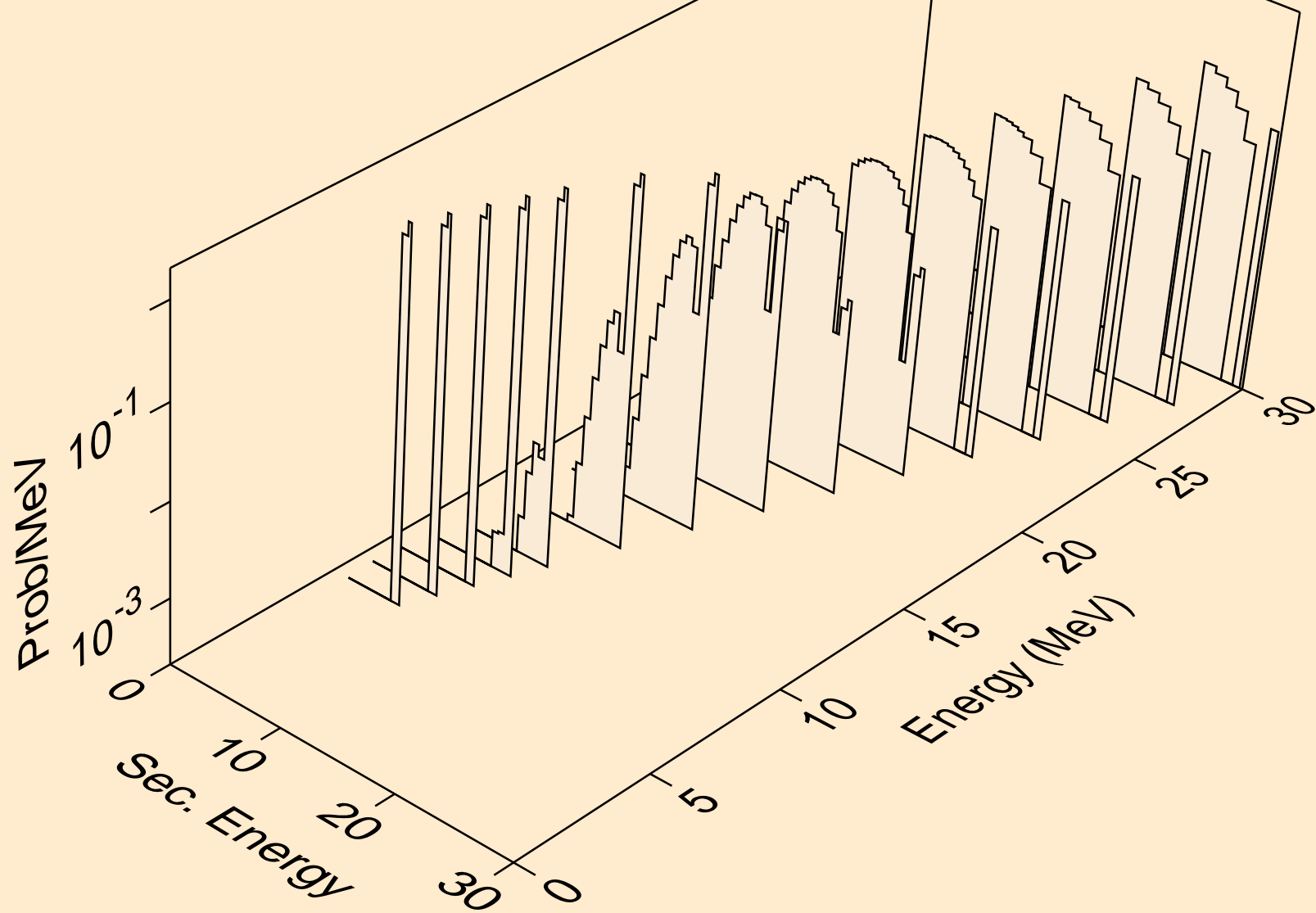
FM259 TRITON ACER TENDL-2021 LIBRARY; T=0.K  
Triton emission for (t,x)



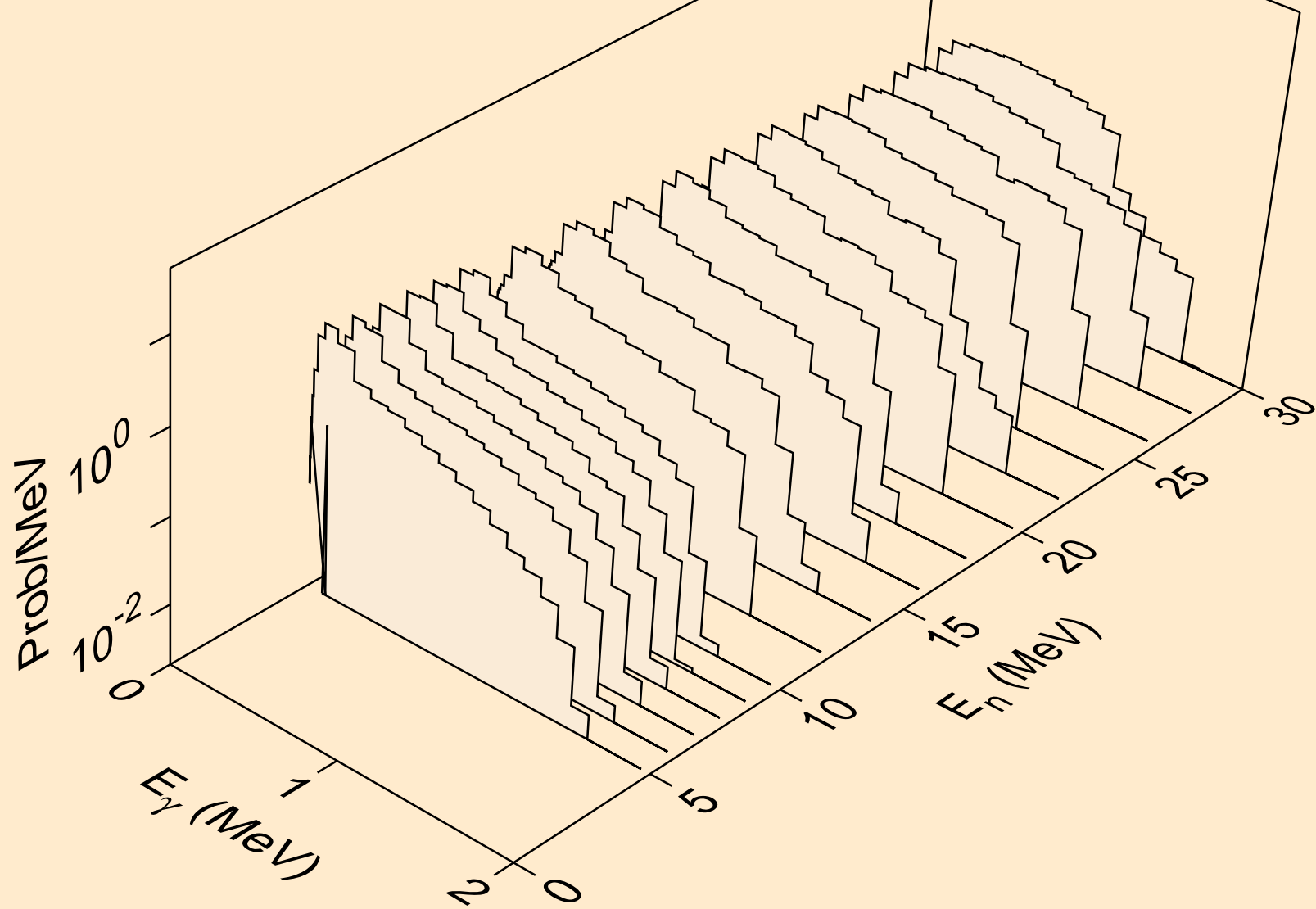
FM259 TRITON ACER TENDL-2021 LIBRARY; T=0.K  
Triton emission for (t,n\*)t



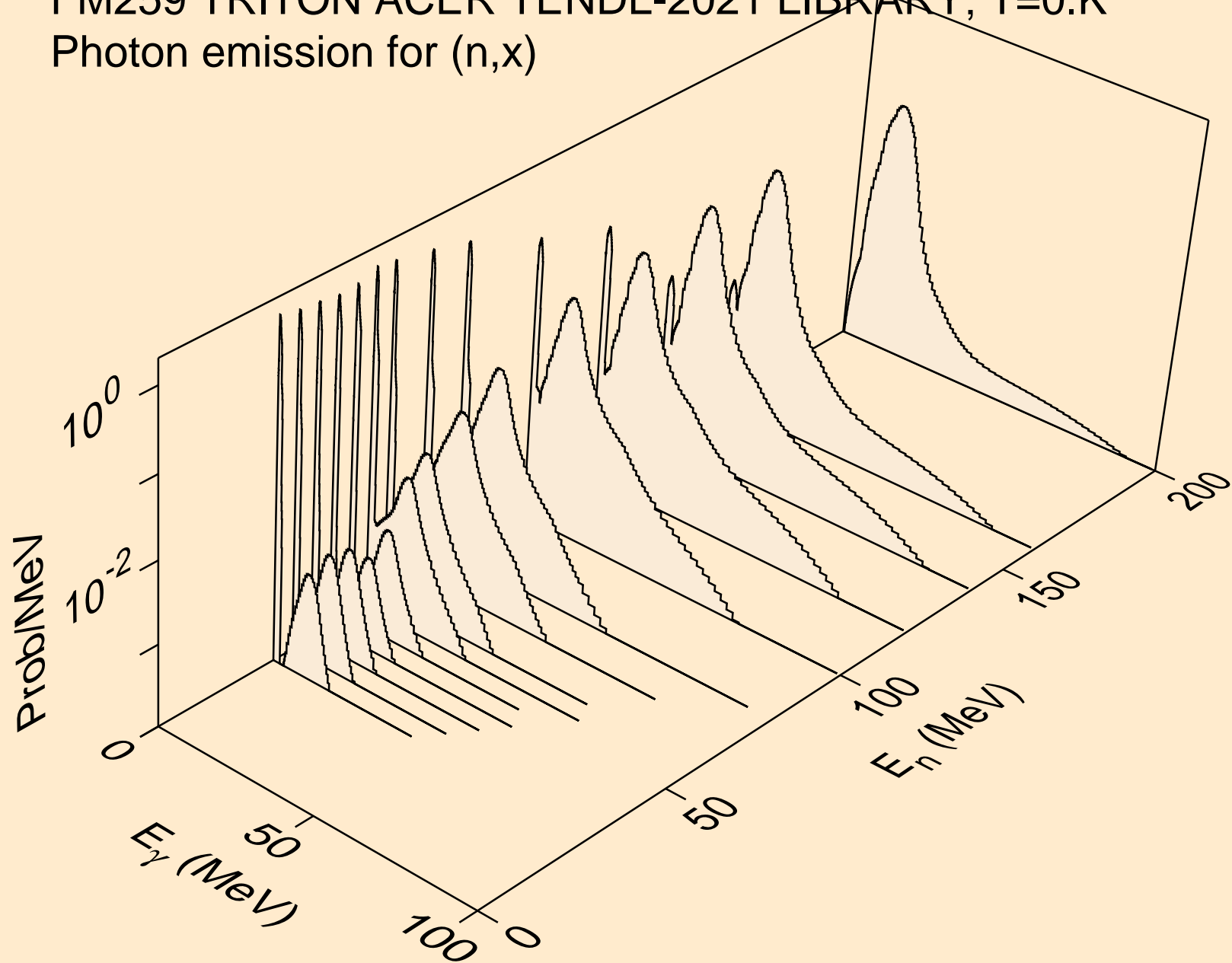
FM259 TRITON ACER TENDL-2021 LIBRARY; T=0.K  
Triton emission for inelastic



FM259 TRITON ACER TENDL-2021 LIBRARY; T=0.K  
Photon emission for (z,n)

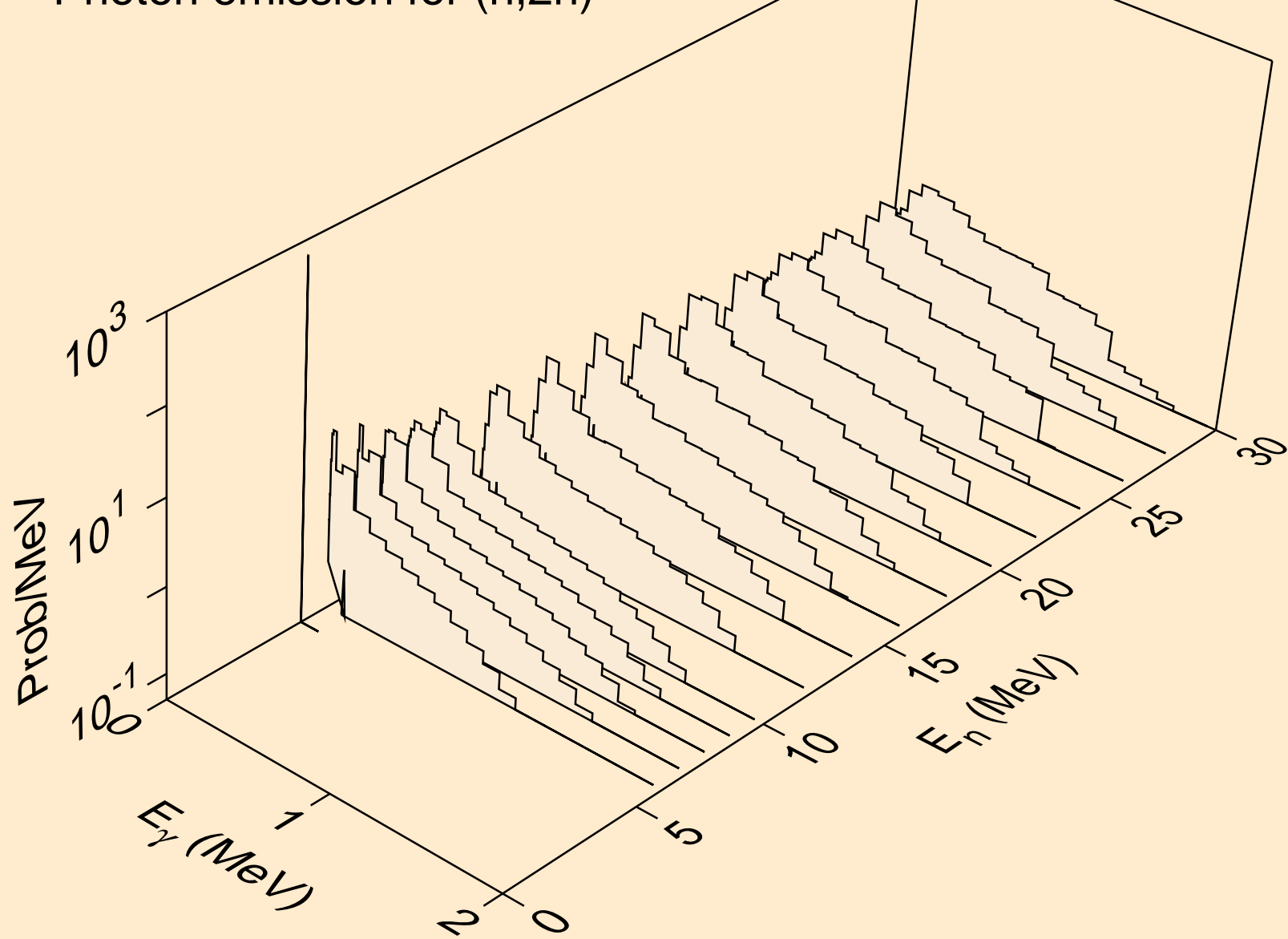


FM259 TRITON ACER TENDL-2021 LIBRARY; T=0.K  
Photon emission for (n,x)

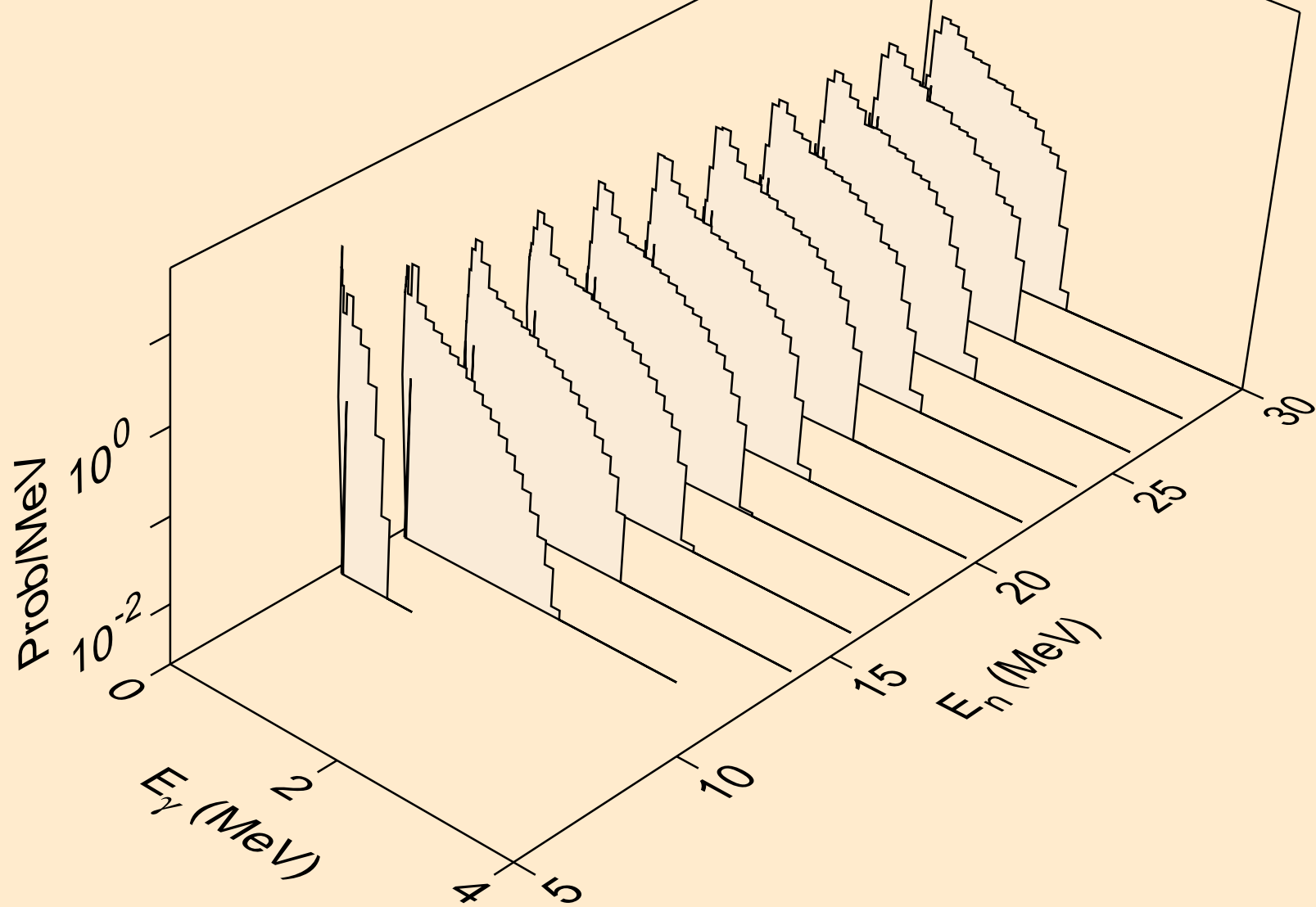




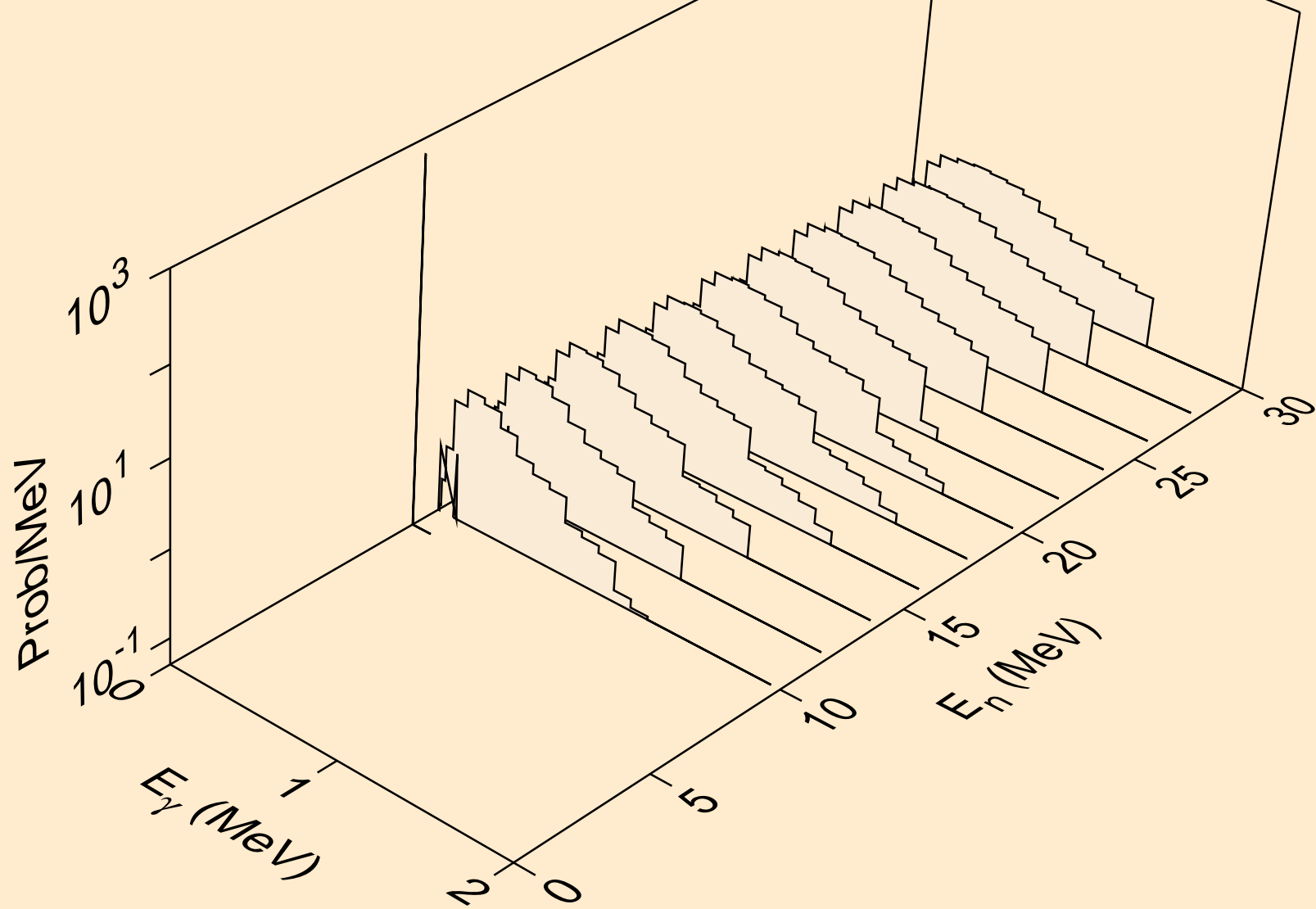
FM259 TRITON ACER TENDL-2021 LIBRARY; T=0.K  
Photon emission for (n,2n)



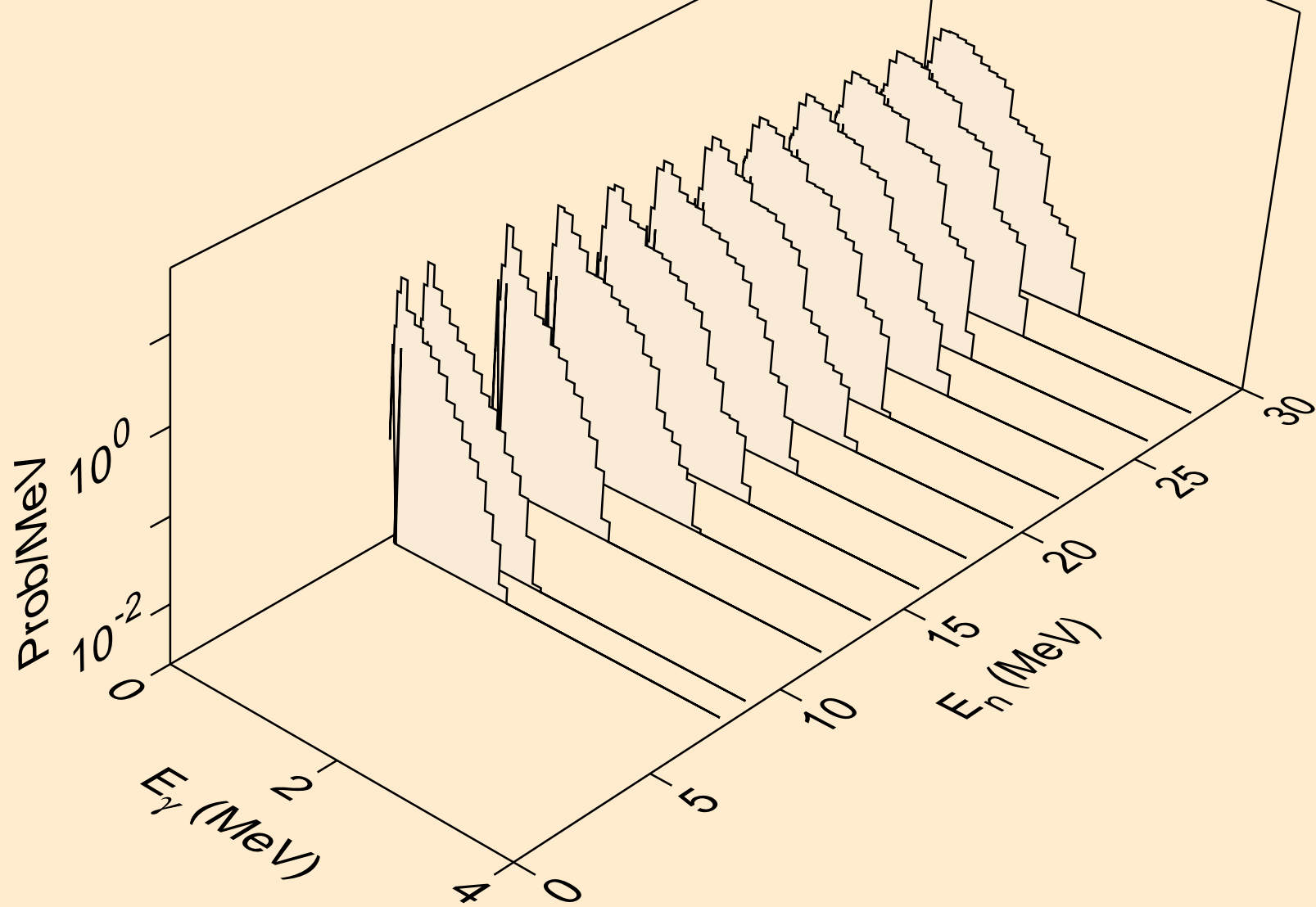
FM259 TRITON ACER TENDL-2021 LIBRARY; T=0.K  
Photon emission for (n,3n)



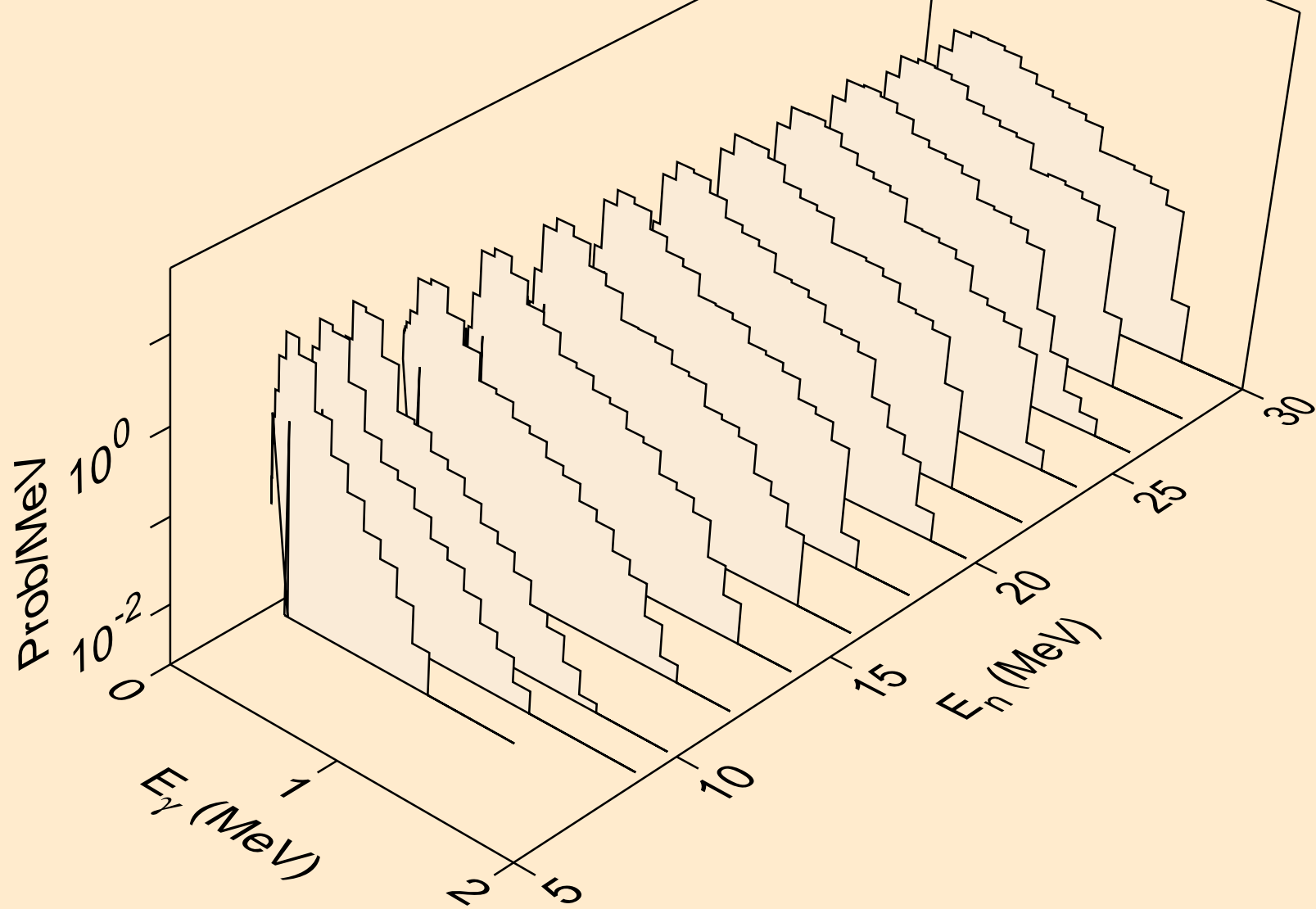
FM259 TRITON ACER TENDL-2021 LIBRARY; T=0.K  
Photon emission for (n,n\*)a



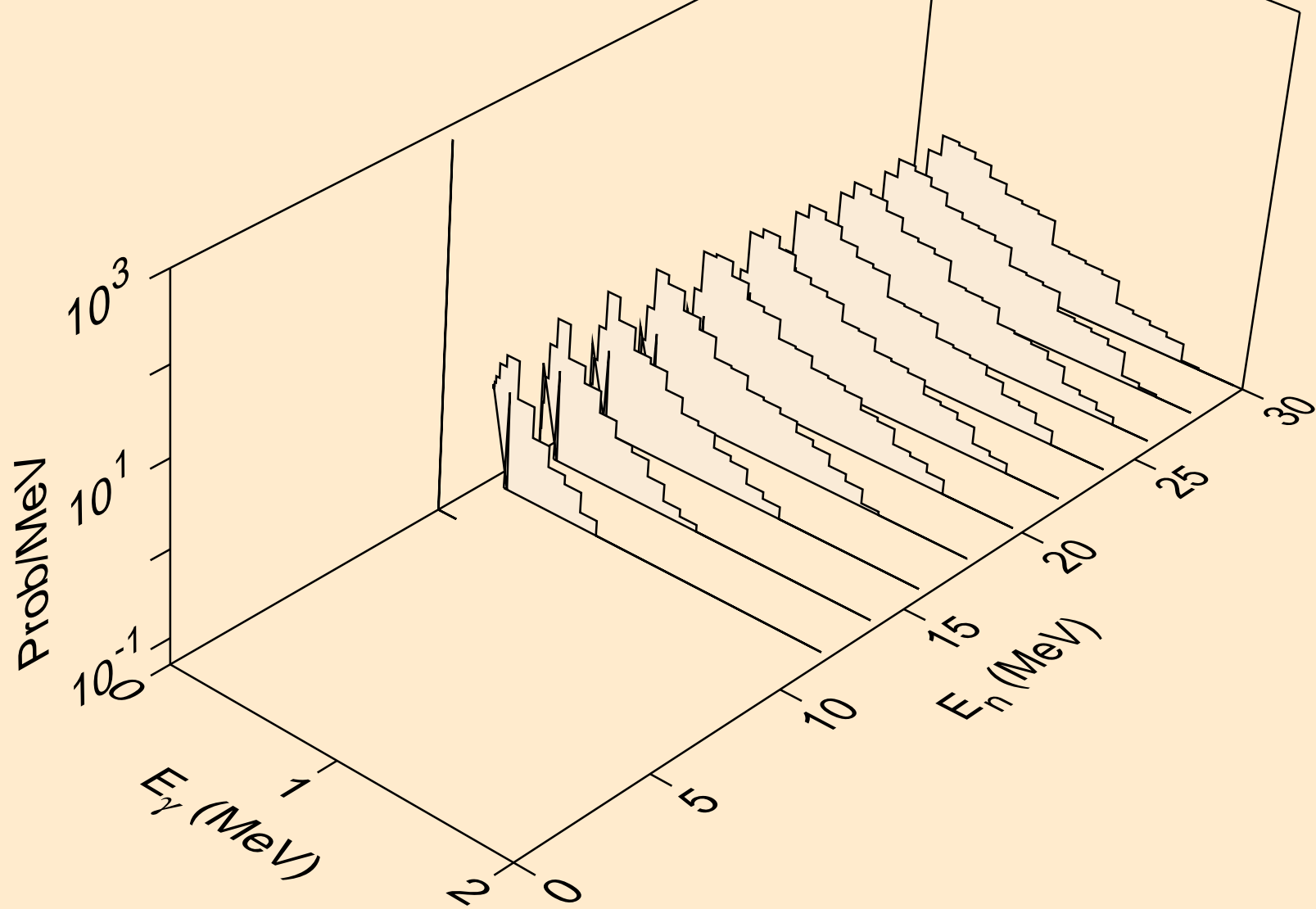
FM259 TRITON ACER TENDL-2021 LIBRARY; T=0.K  
Photon emission for (n,n\*)p



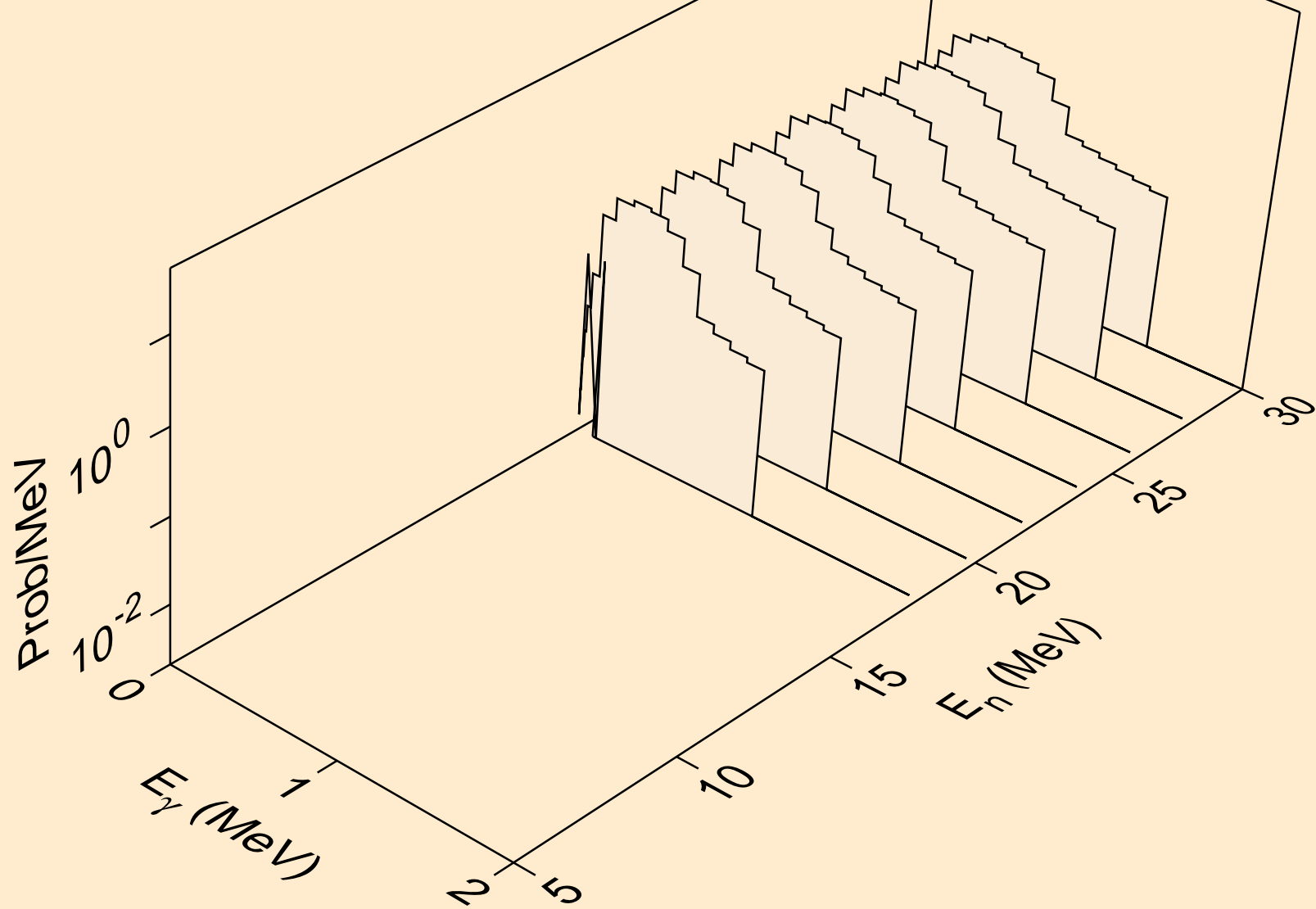
FM259 TRITON ACER TENDL-2021 LIBRARY; T=0.K  
Photon emission for (n,n\*)d



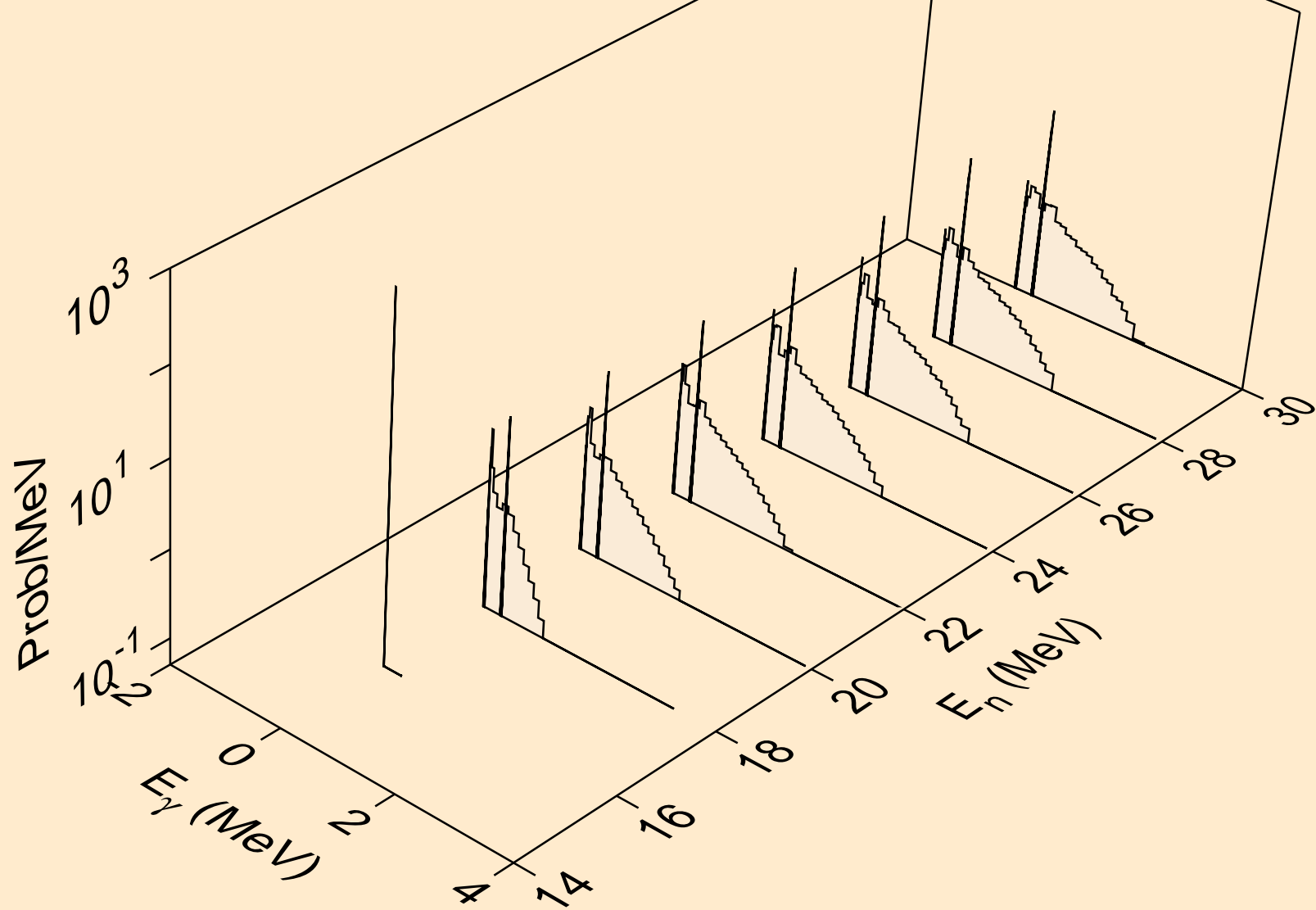
FM259 TRITON ACER TENDL-2021 LIBRARY; T=0.K  
Photon emission for (n,n\*)t



FM259 TRITON ACER TENDL-2021 LIBRARY; T=0.K  
Photon emission for (n,n\*)he3

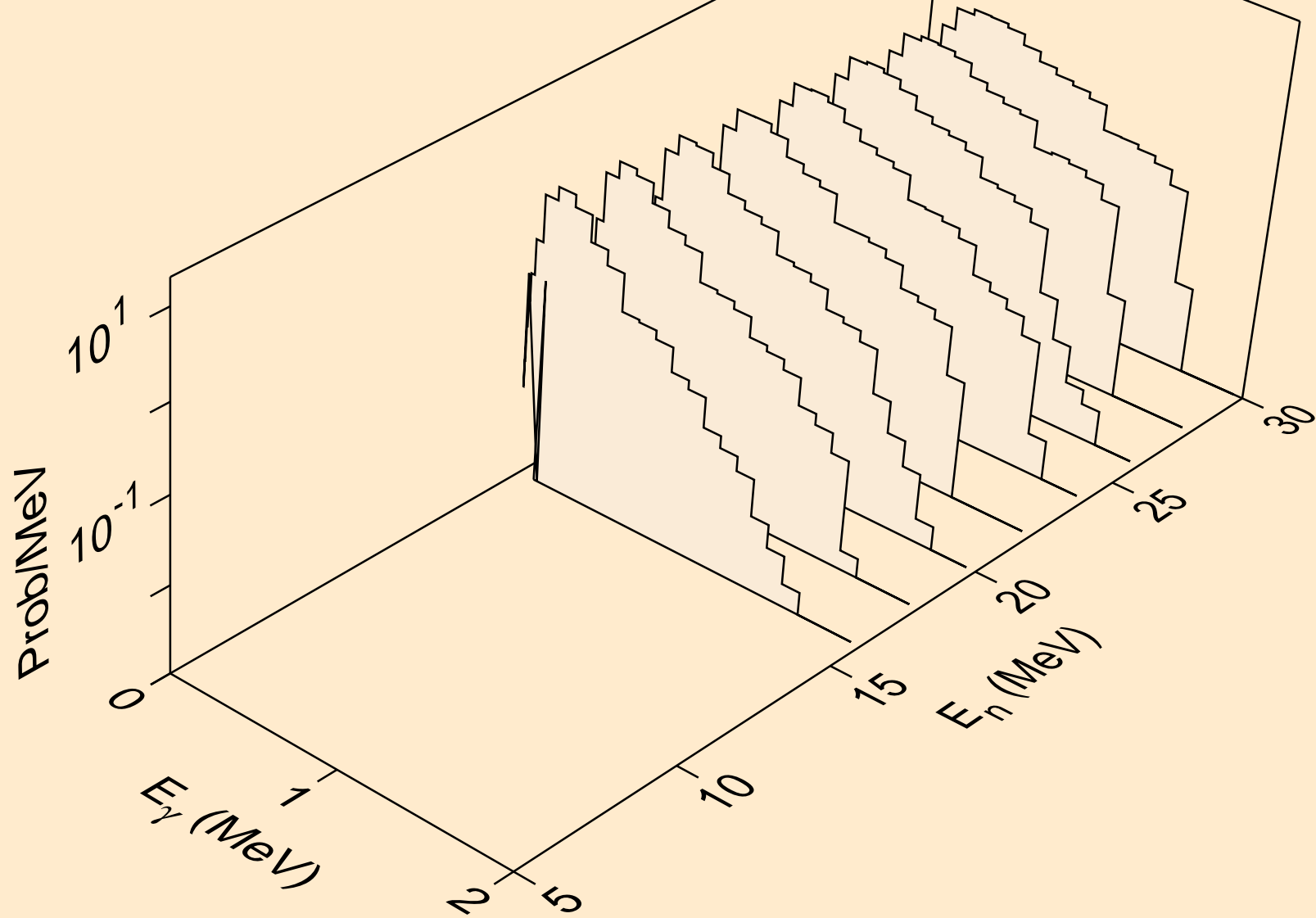


FM259 TRITON ACER TENDL-2021 LIBRARY; T=0.K  
Photon emission for (n,4n)

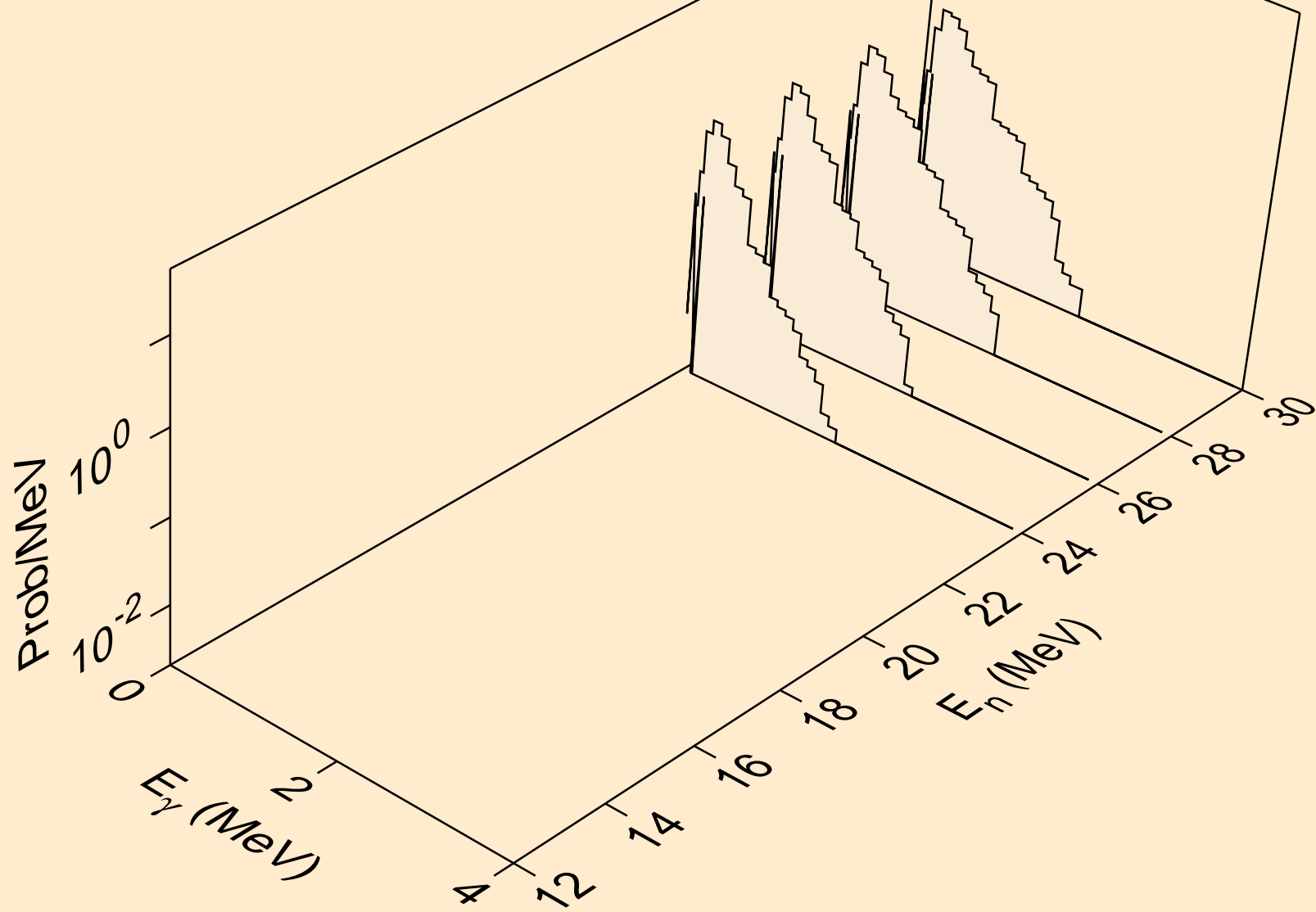




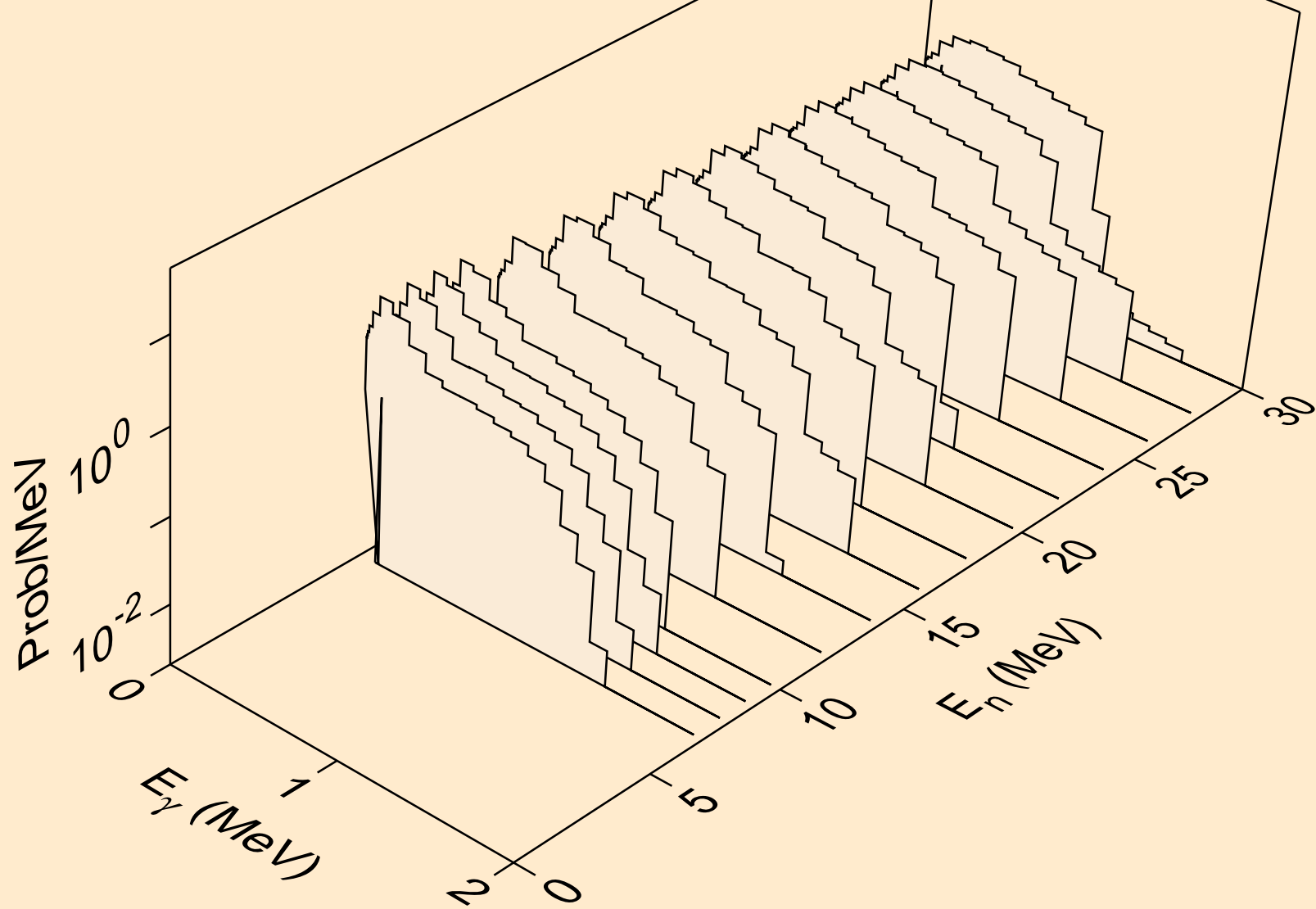
FM259 TRITON ACER TENDL-2021 LIBRARY; T=0.K  
Photon emission for (n,2np)



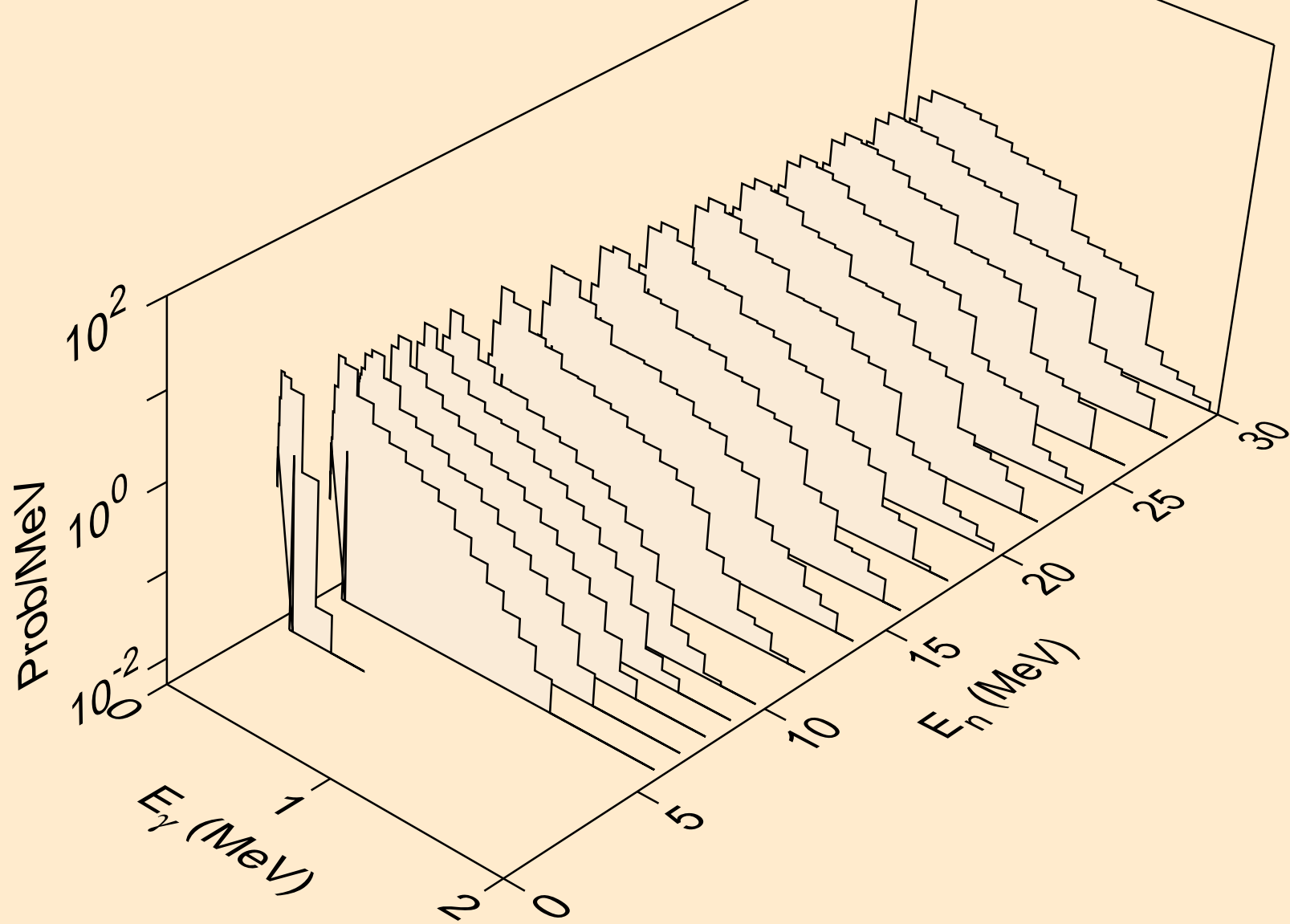
FM259 TRITON ACER TENDL-2021 LIBRARY; T=0.K  
Photon emission for (n,3np)



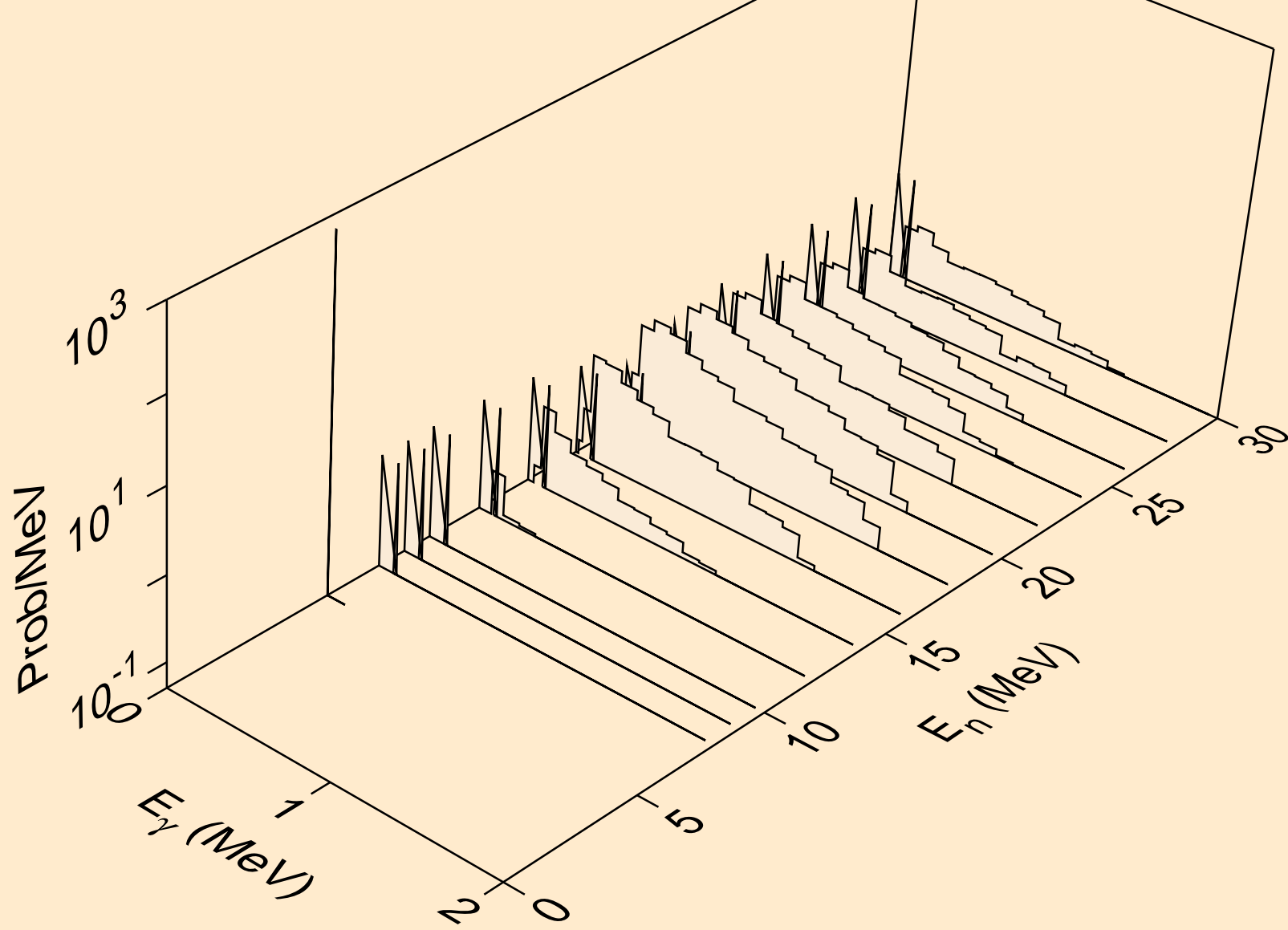
FM259 TRITON ACER TENDL-2021 LIBRARY; T=0.K  
Photon emission for (n,p)



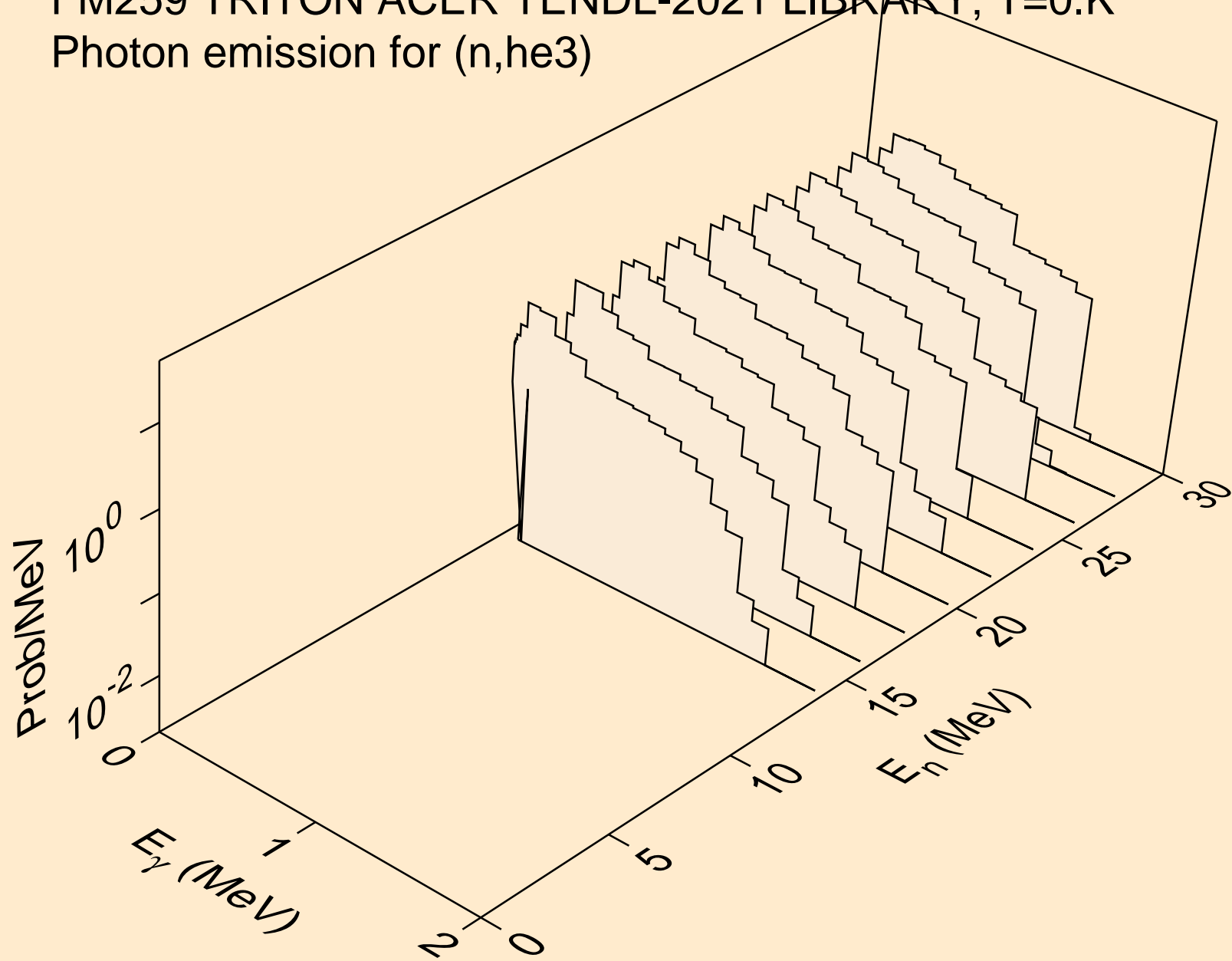
FM259 TRITON ACER TENDL-2021 LIBRARY; T=0.K  
Photon emission for (n,d)



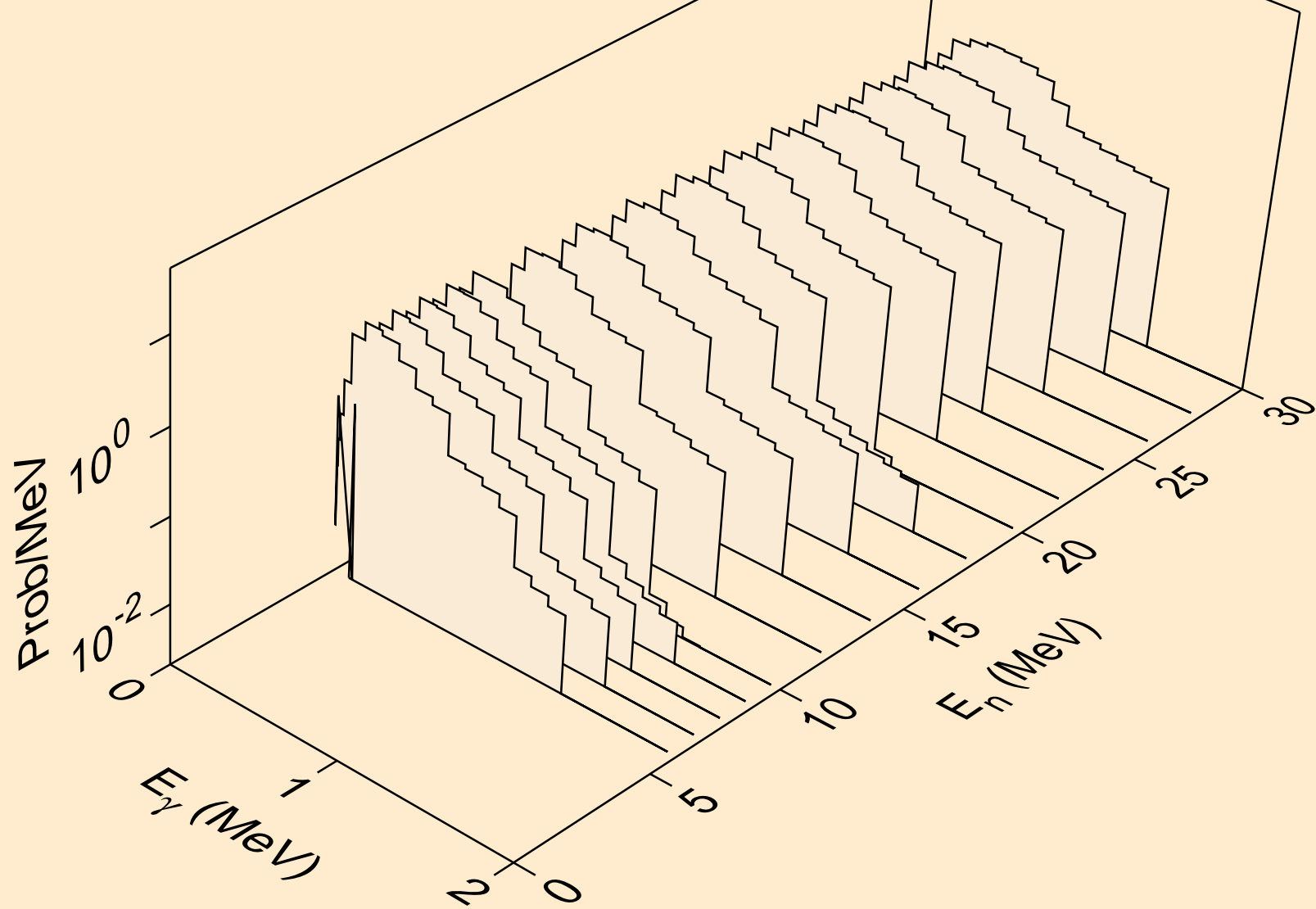
FM259 TRITON ACER TENDL-2021 LIBRARY; T=0.K  
Photon emission for inelastic



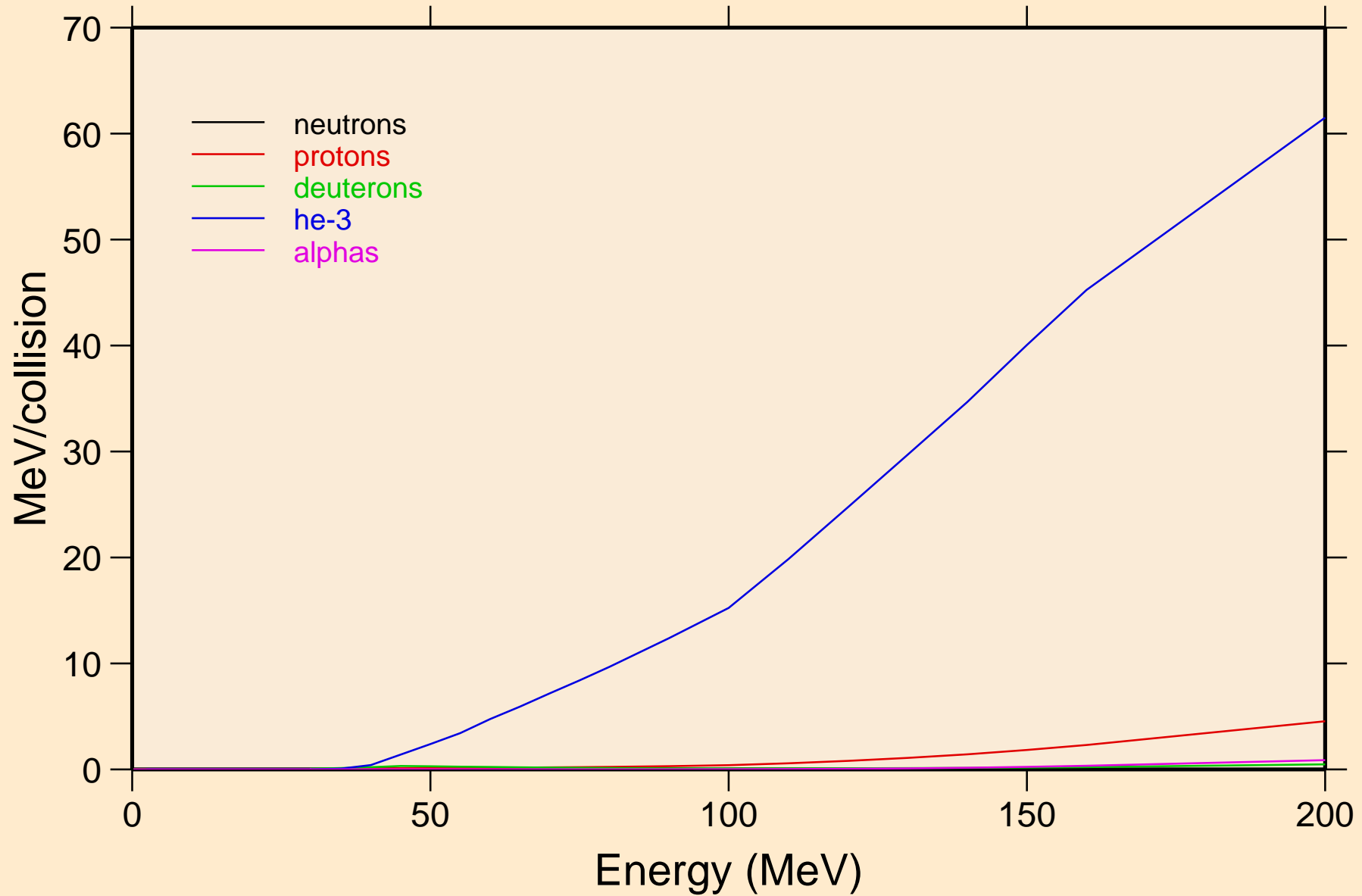
FM259 TRITON ACER TENDL-2021 LIBRARY; T=0.K  
Photon emission for (n,he3)



FM259 TRITON ACER TENDL-2021 LIBRARY; T=0.K  
Photon emission for (n,a)

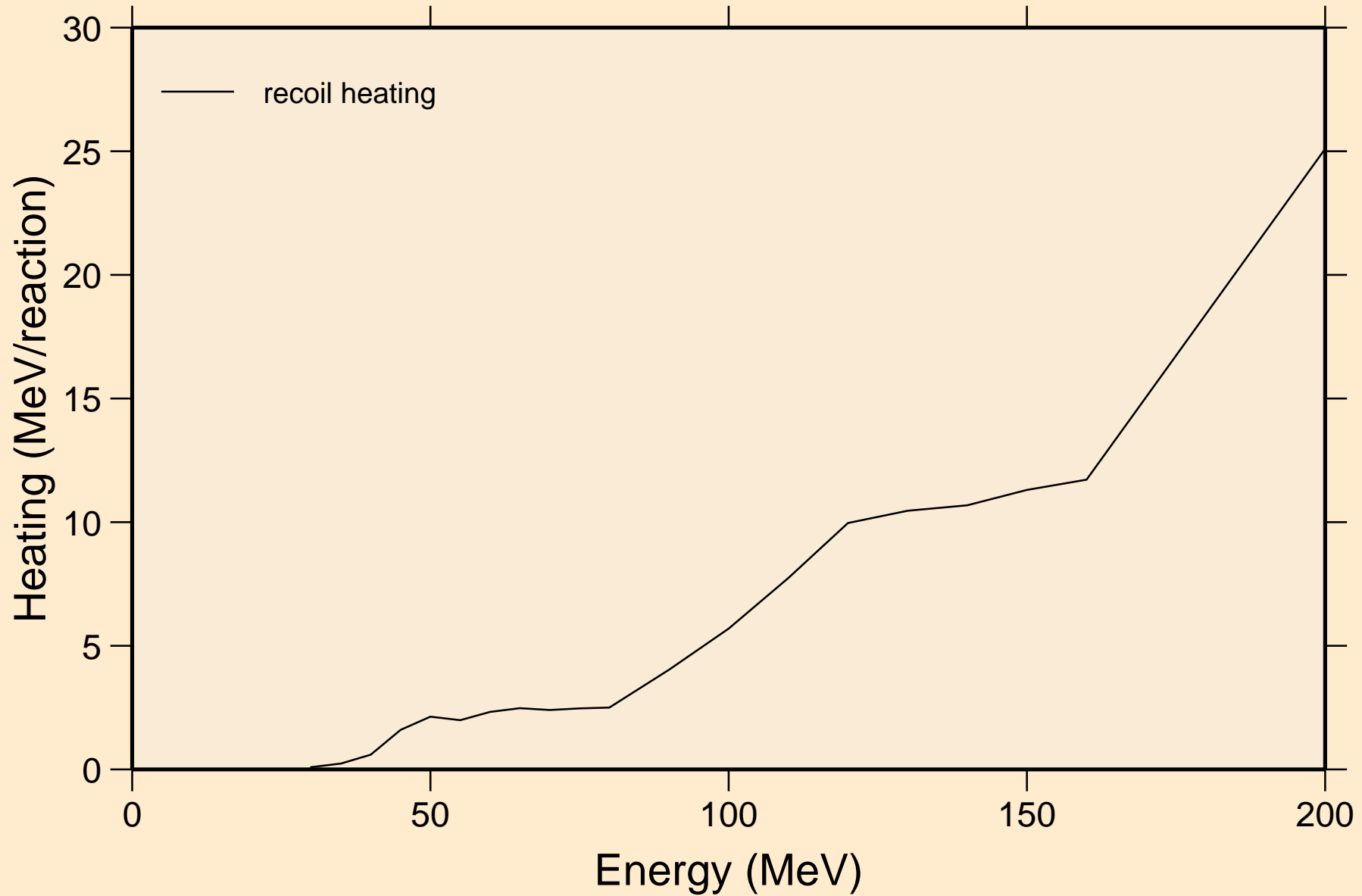


FM259 TRITON ACER TENDL-2021 LIBRARY; T=0.K  
Particle heating contributions

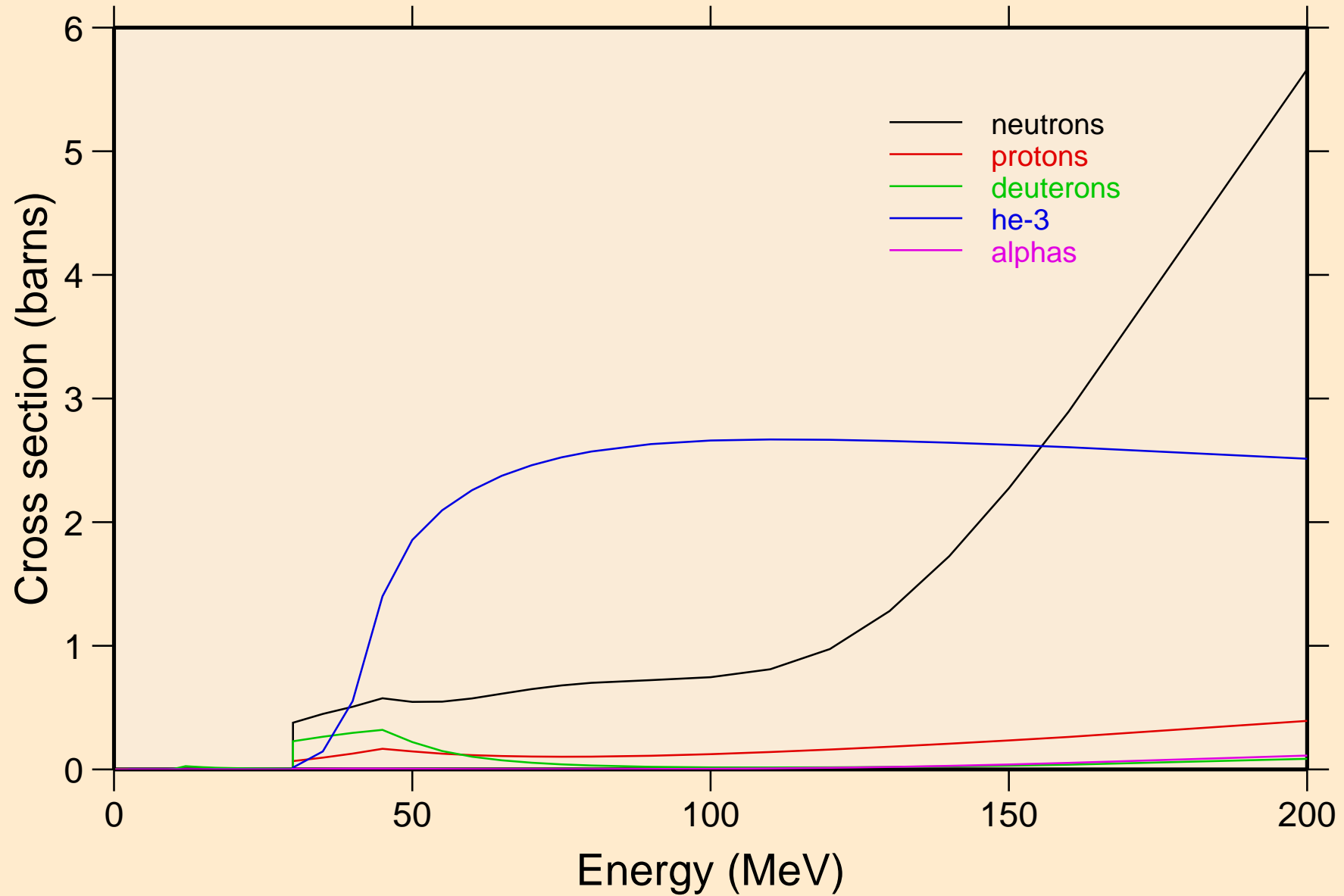




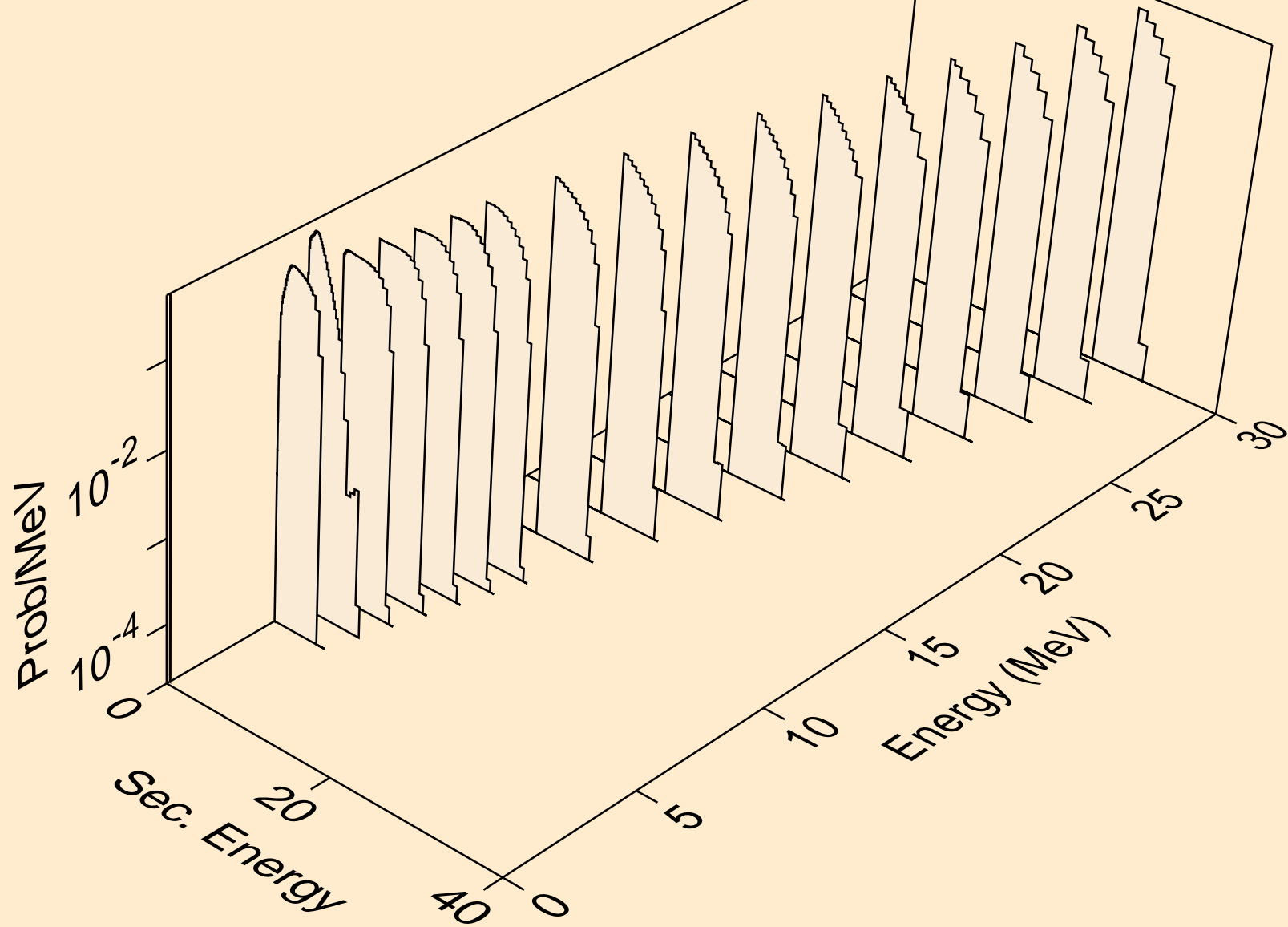
FM259 TRITON ACER TENDL-2021 LIBRARY; T=0.K  
Recoil Heating



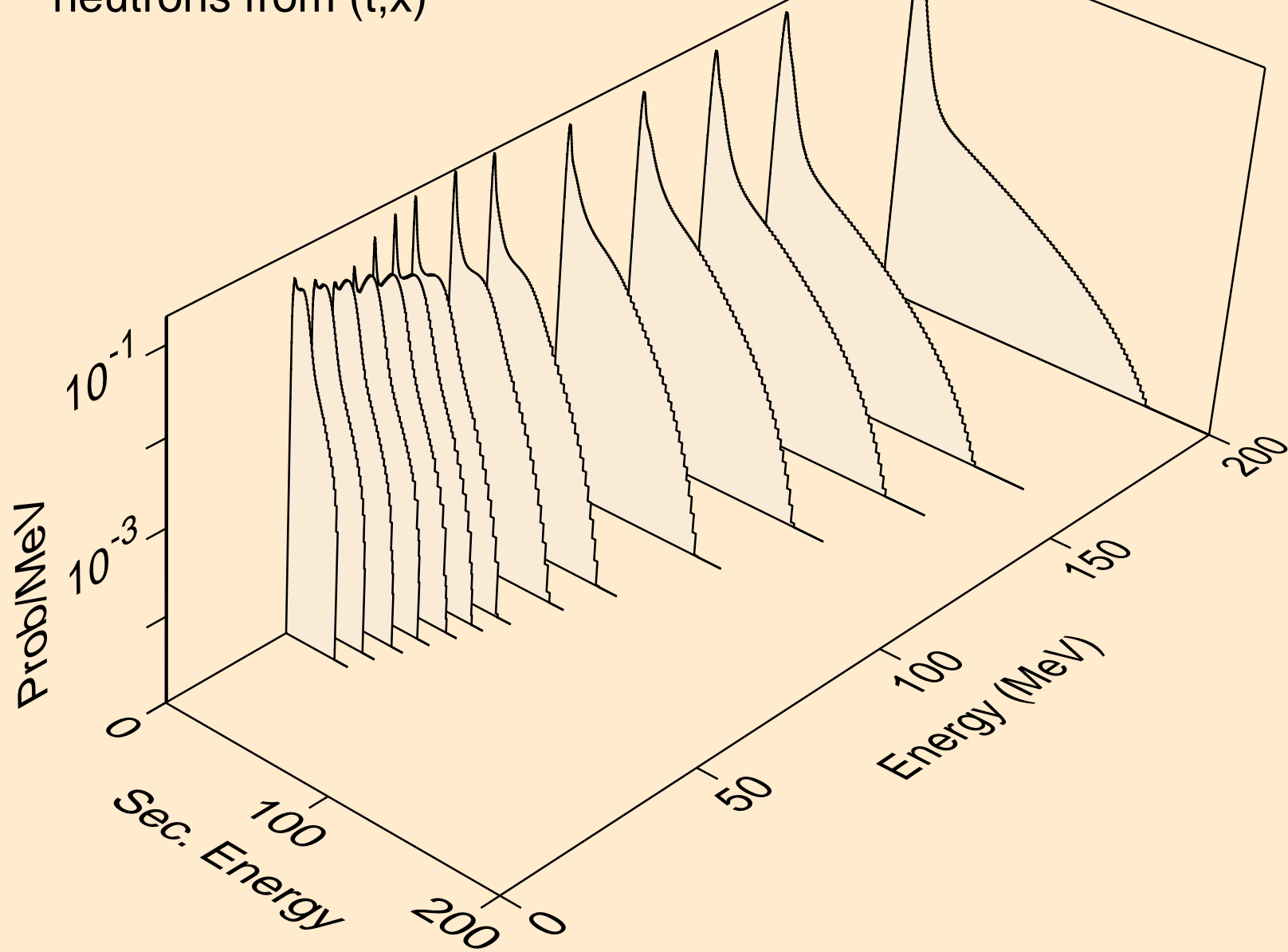
FM259 TRITON ACER TENDL-2021 LIBRARY; T=0.K  
Particle production cross sections



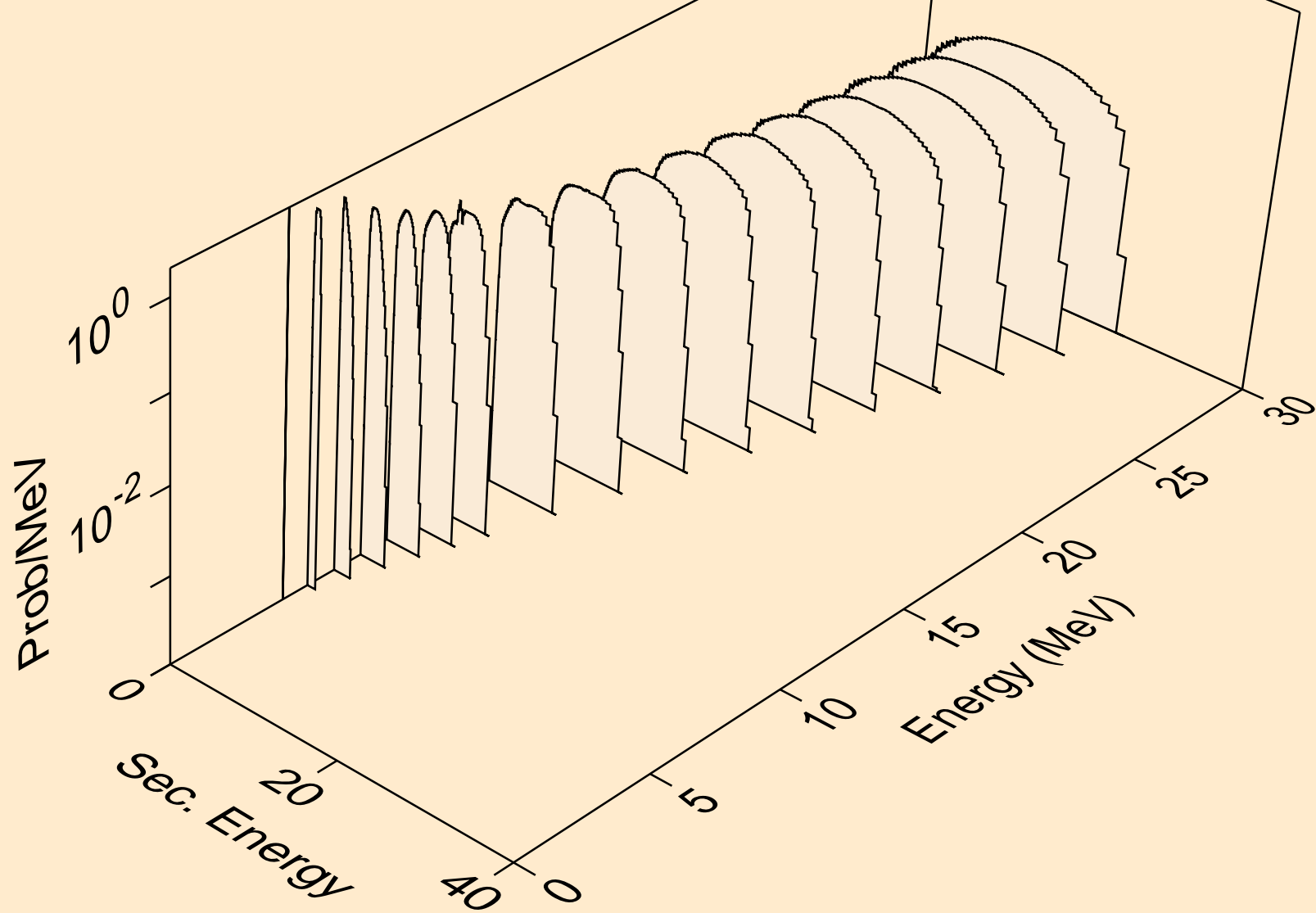
FM259 TRITON ACER TENDL-2021 LIBRARY; T=0.K  
neutrons from (t,n)



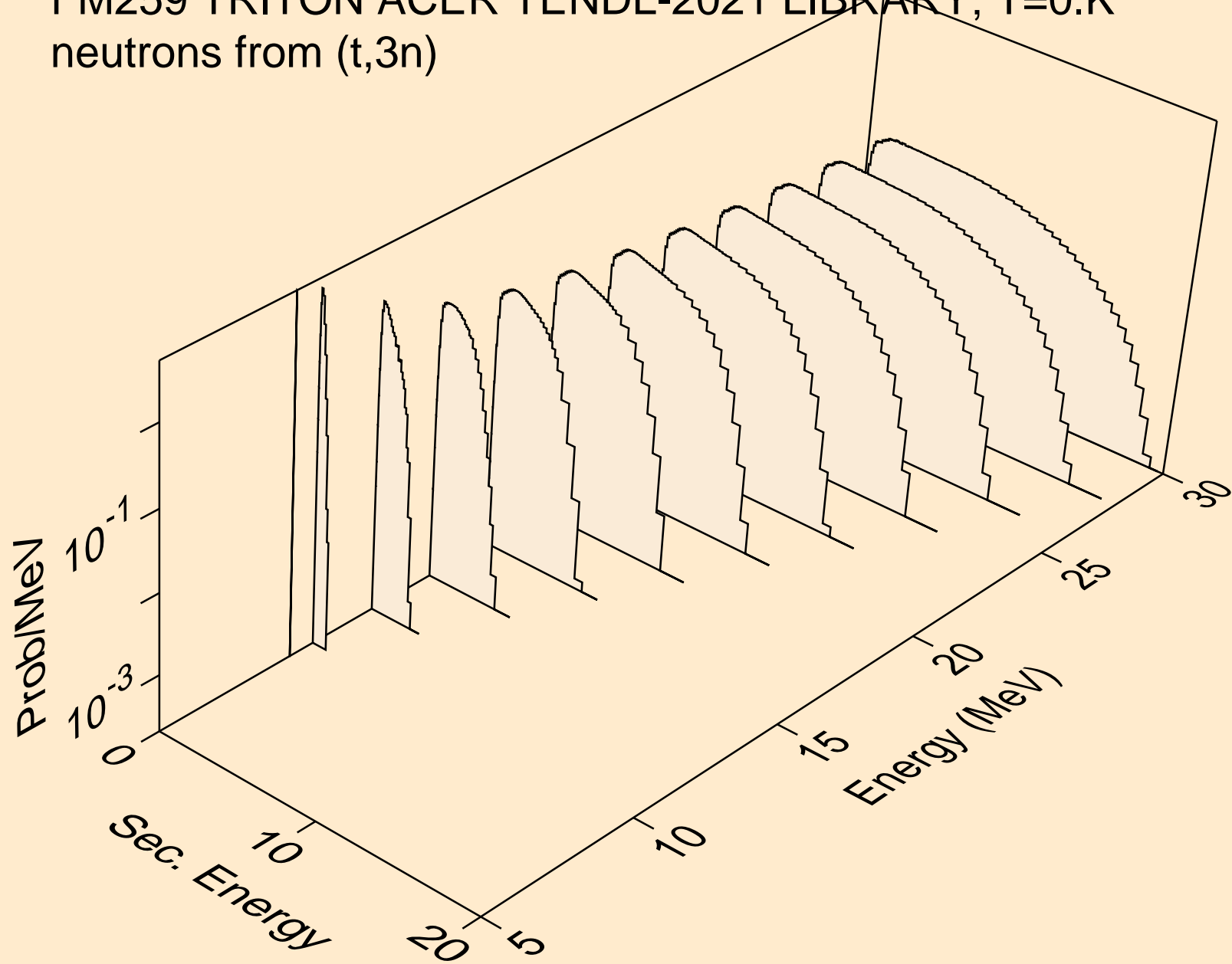
FM259 TRITON ACER TENDL-2021 LIBRARY; T=0.K  
neutrons from (t,x)



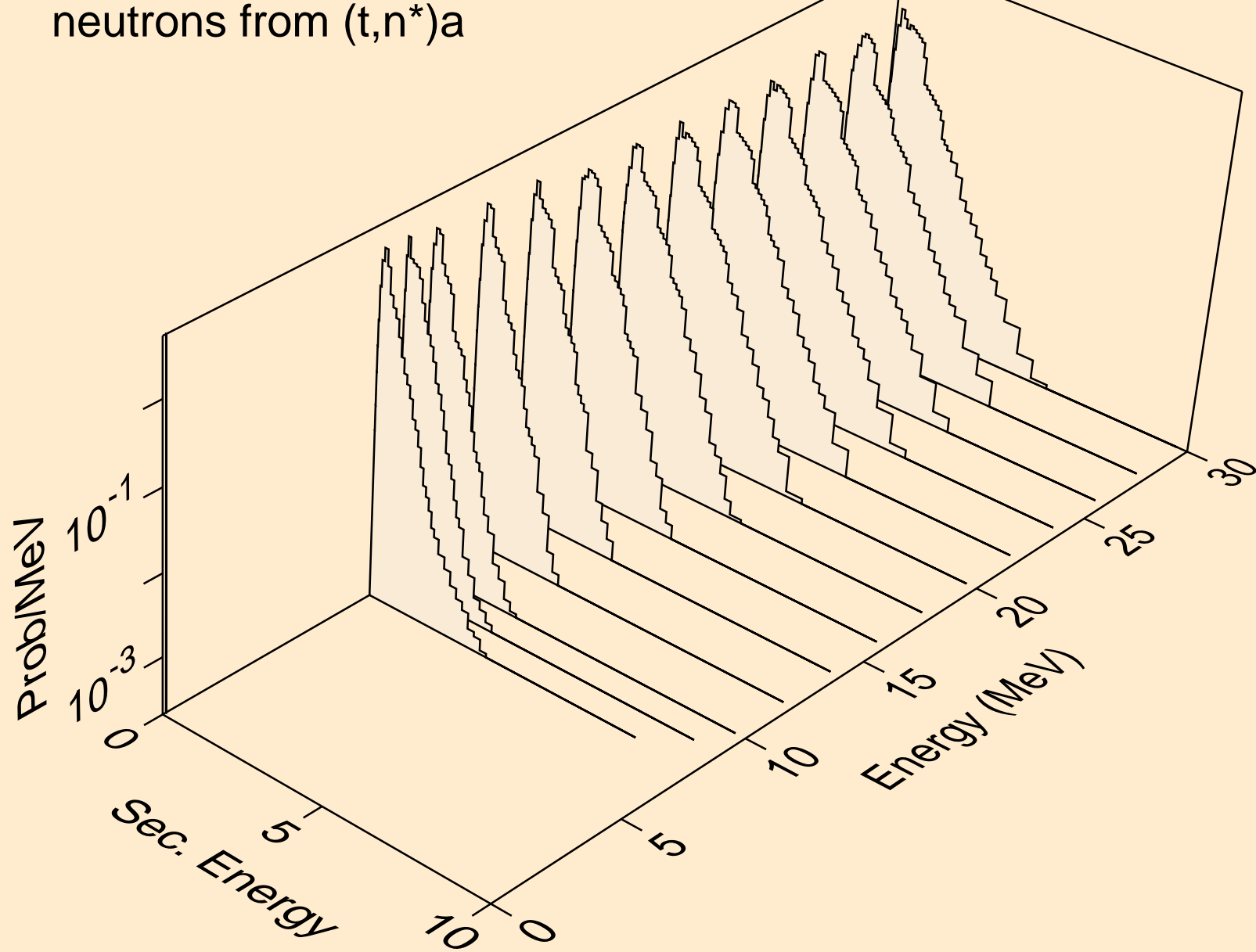
FM259 TRITON ACER TENDL-2021 LIBRARY; T=0.K  
neutrons from (t,2n)



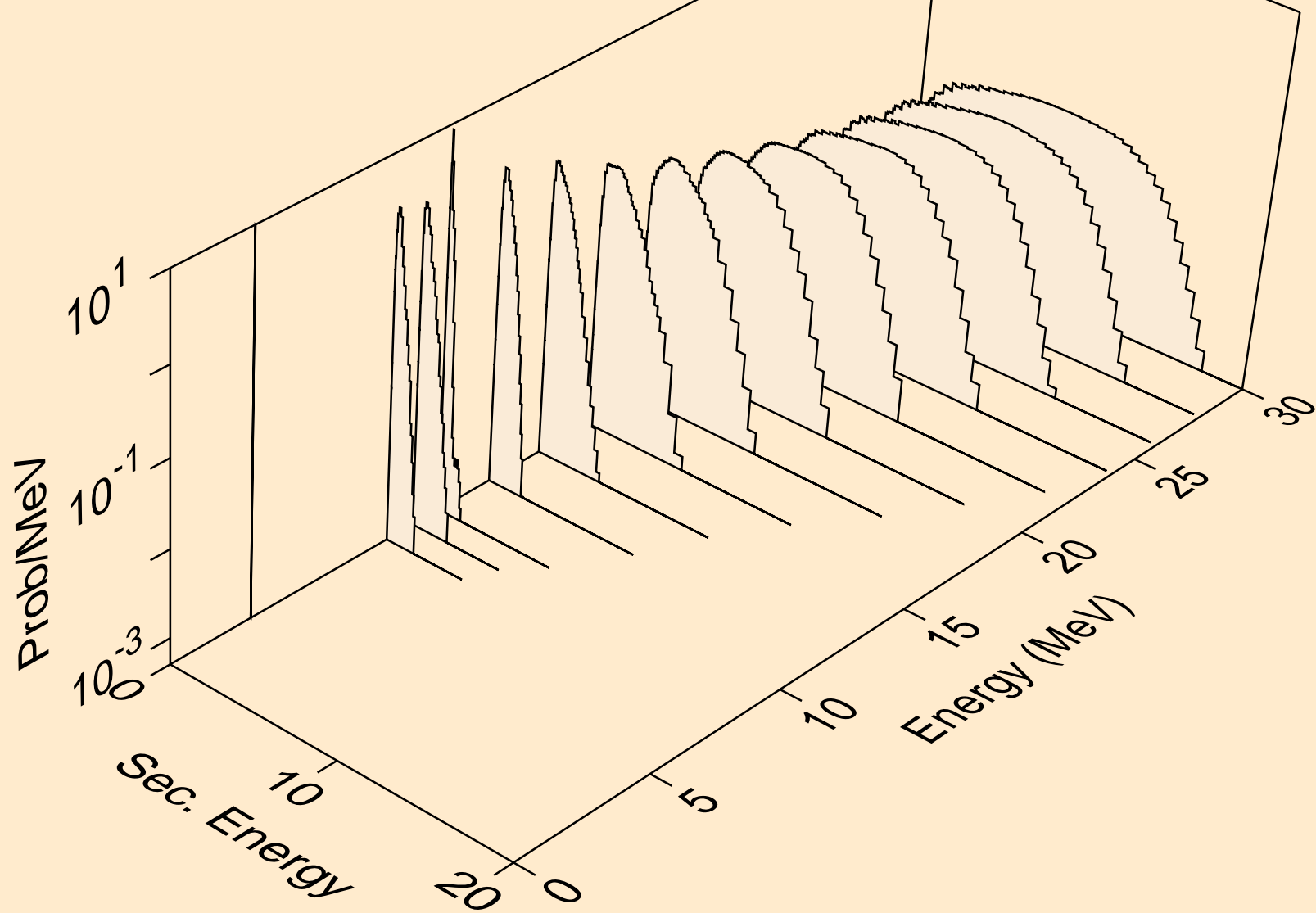
FM259 TRITON ACER TENDL-2021 LIBRARY; T=0.K  
neutrons from (t,3n)



FM259 TRITON ACER TENDL-2021 LIBRARY; T=0.K  
neutrons from (t,n\*)a

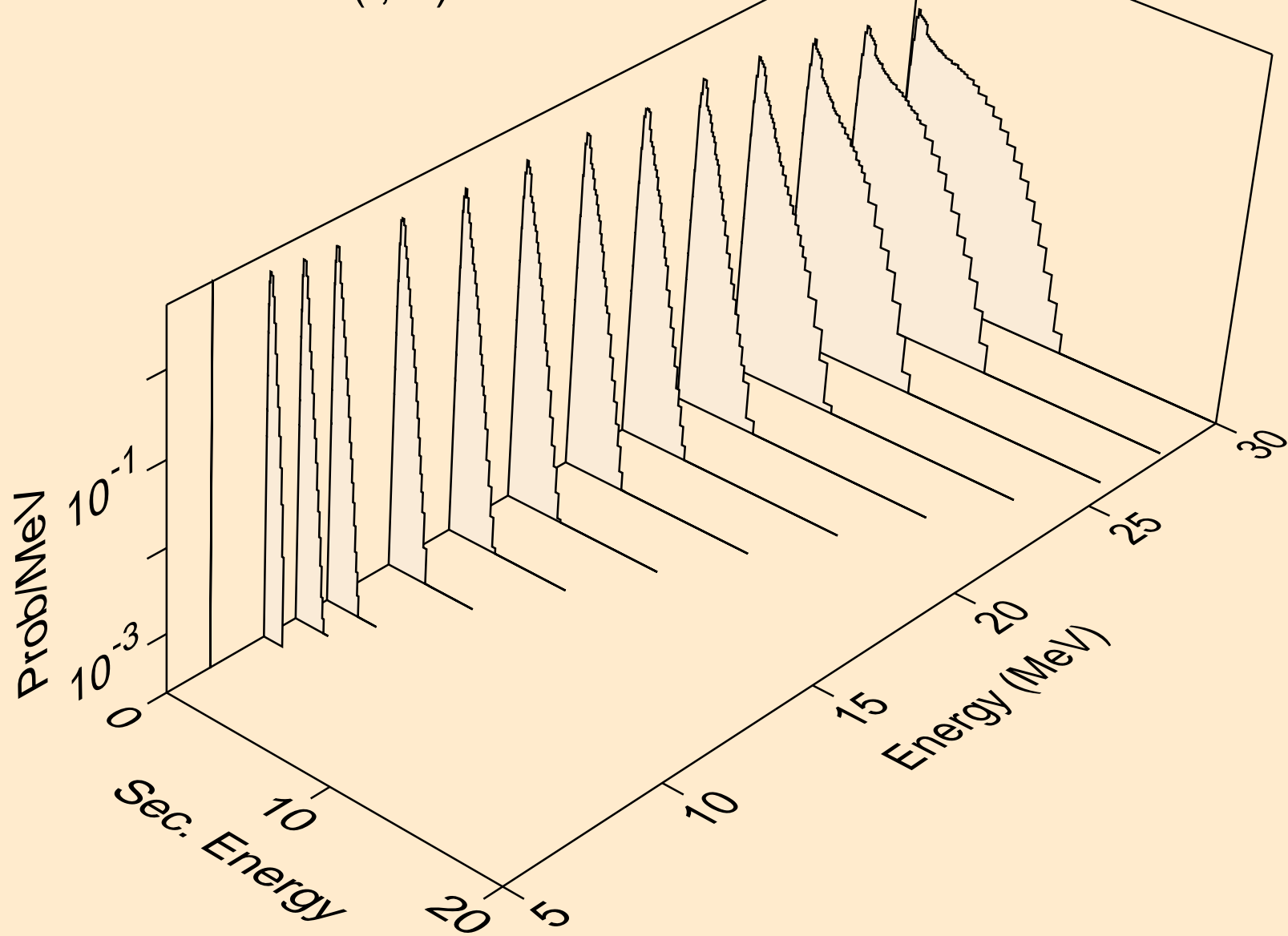


FM259 TRITON ACER TENDL-2021 LIBRARY; T=0.K  
neutrons from (t,n\*)p

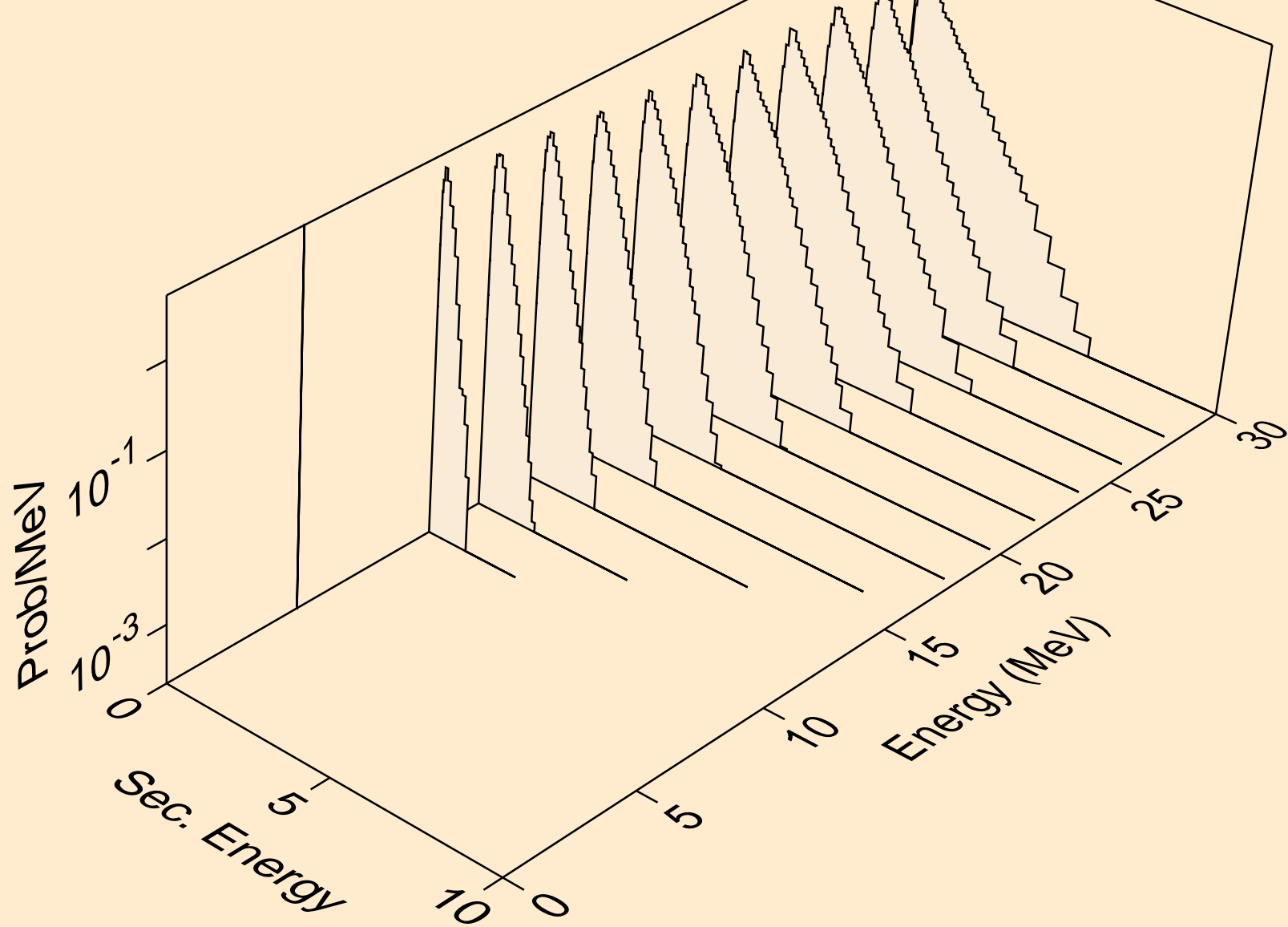




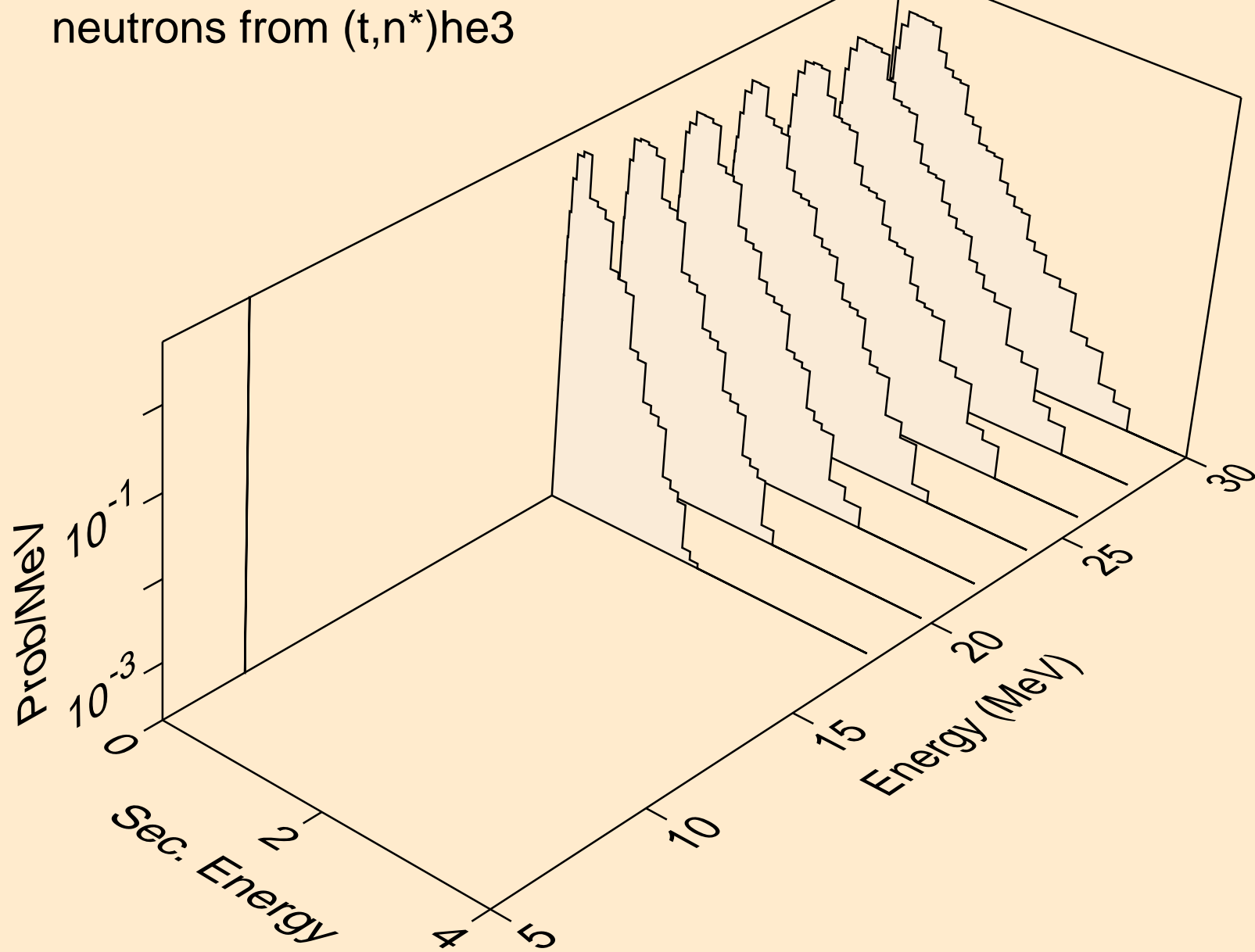
FM259 TRITON ACER TENDL-2021 LIBRARY; T=0.K  
neutrons from (t,n\*)d



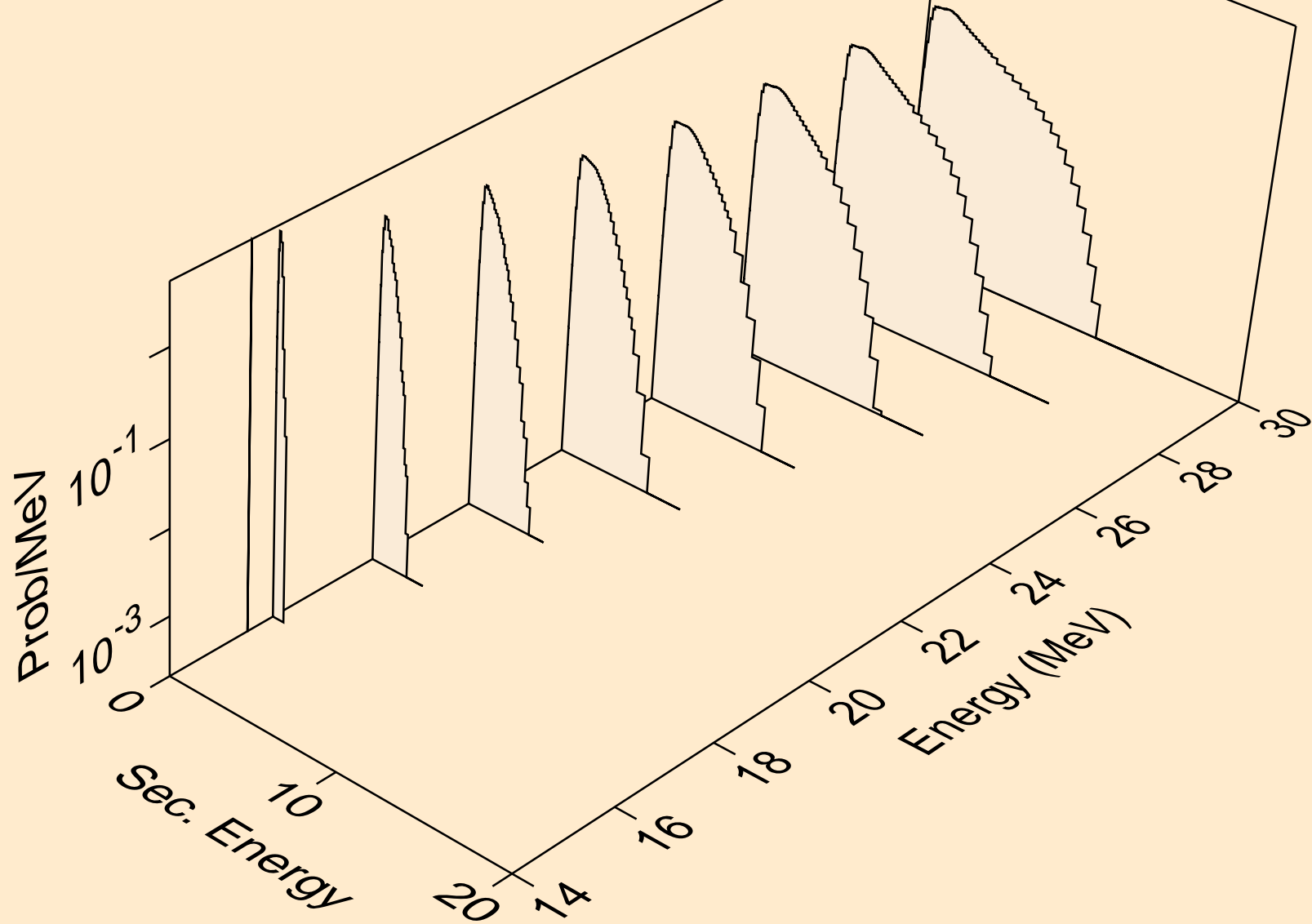
FM259 TRITON ACER TENDL-2021 LIBRARY; T=0.K  
neutrons from (t,n\*)t



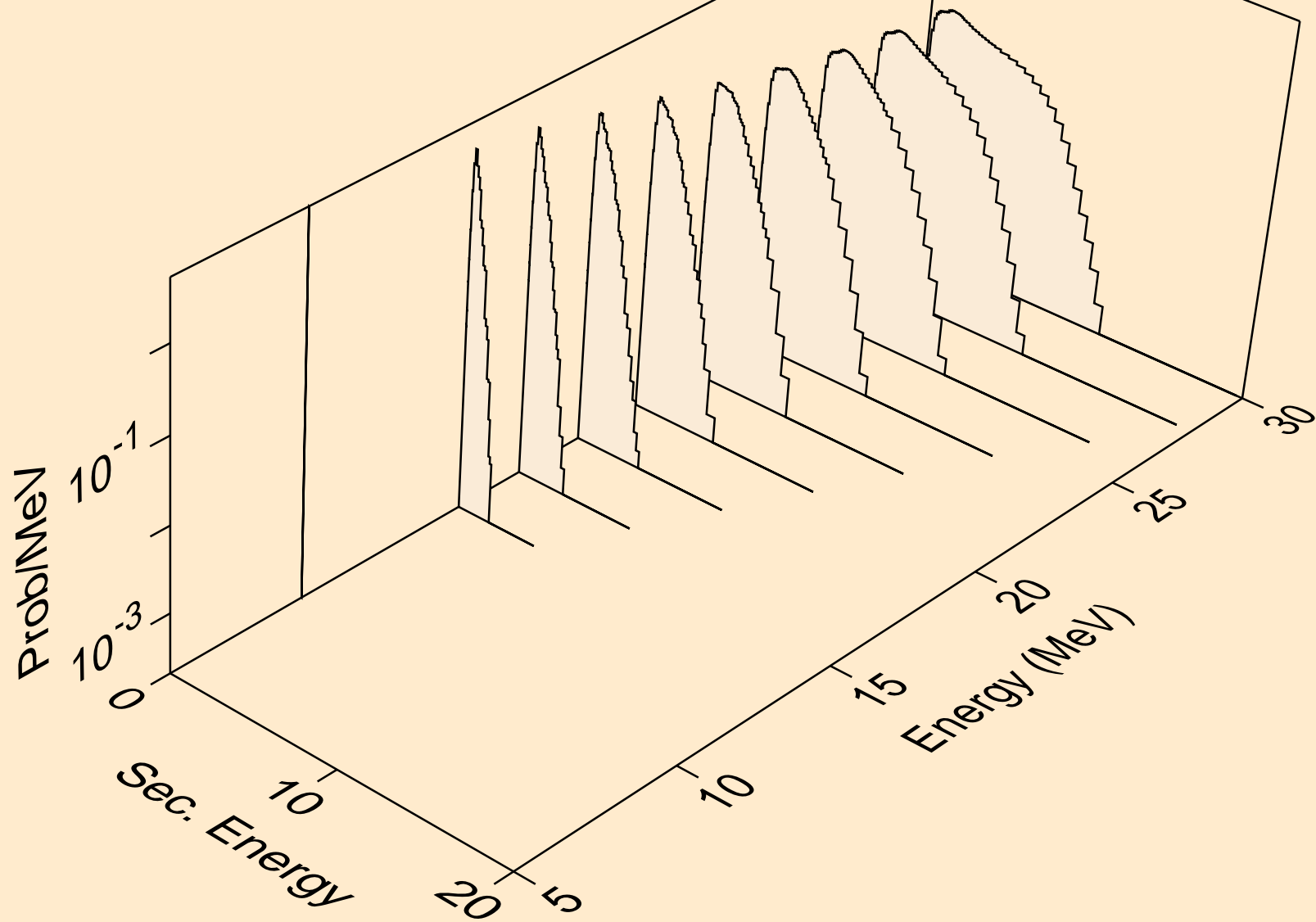
FM259 TRITON ACER TENDL-2021 LIBRARY; T=0.K  
neutrons from (t,n\*)he3



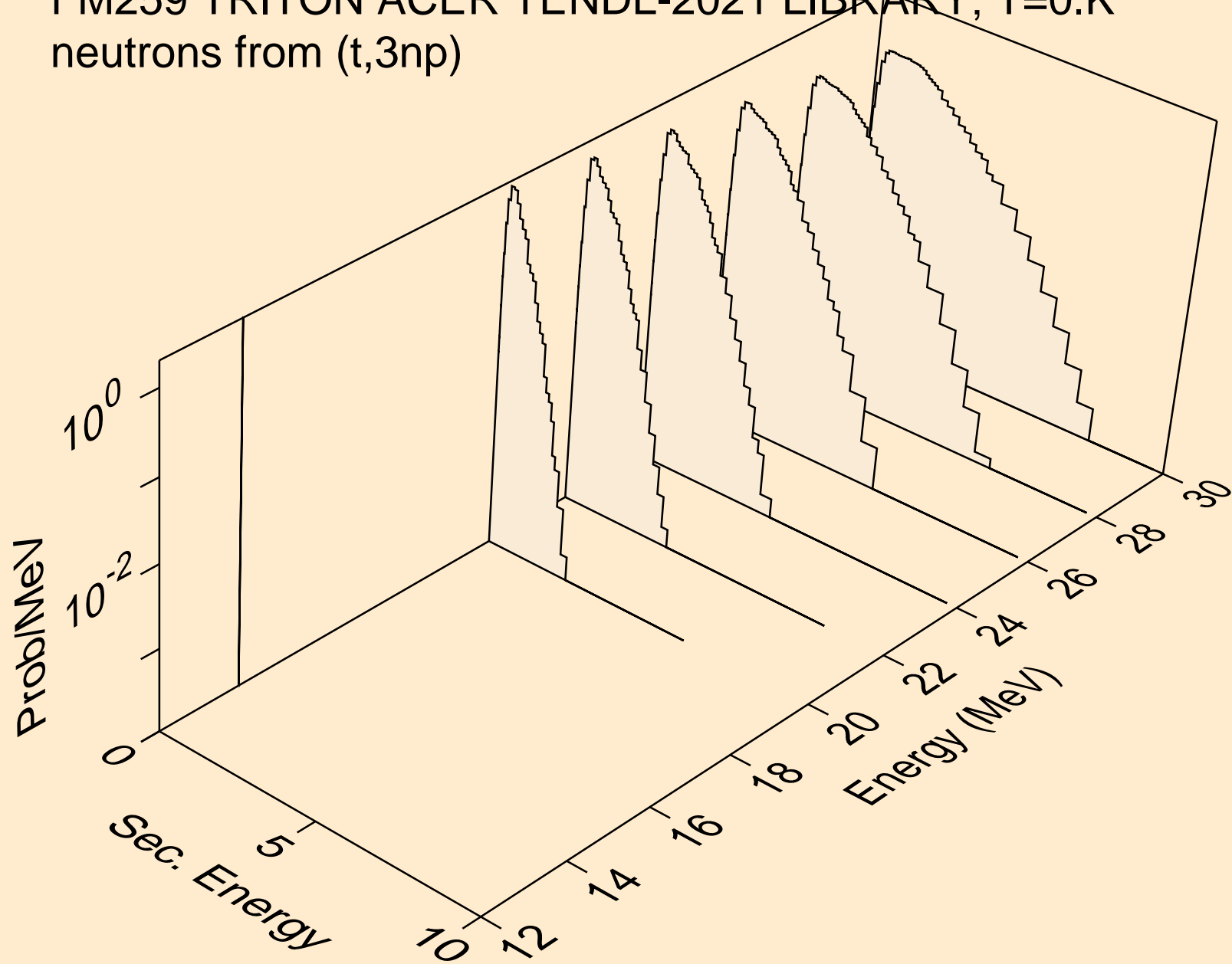
FM259 TRITON ACER TENDL-2021 LIBRARY; T=0.K  
neutrons from (t,4n)



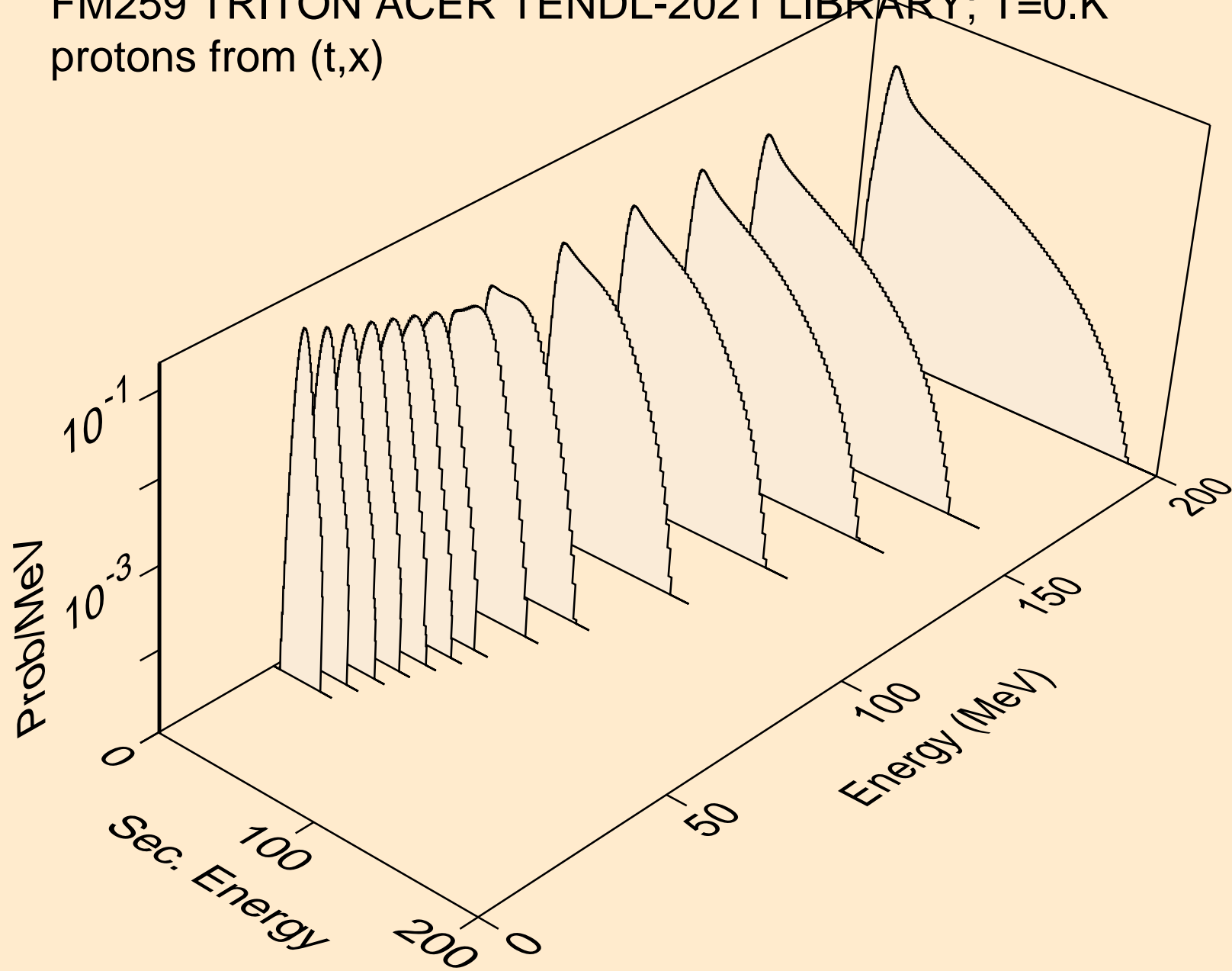
FM259 TRITON ACER TENDL-2021 LIBRARY; T=0.K  
neutrons from (t,2np)



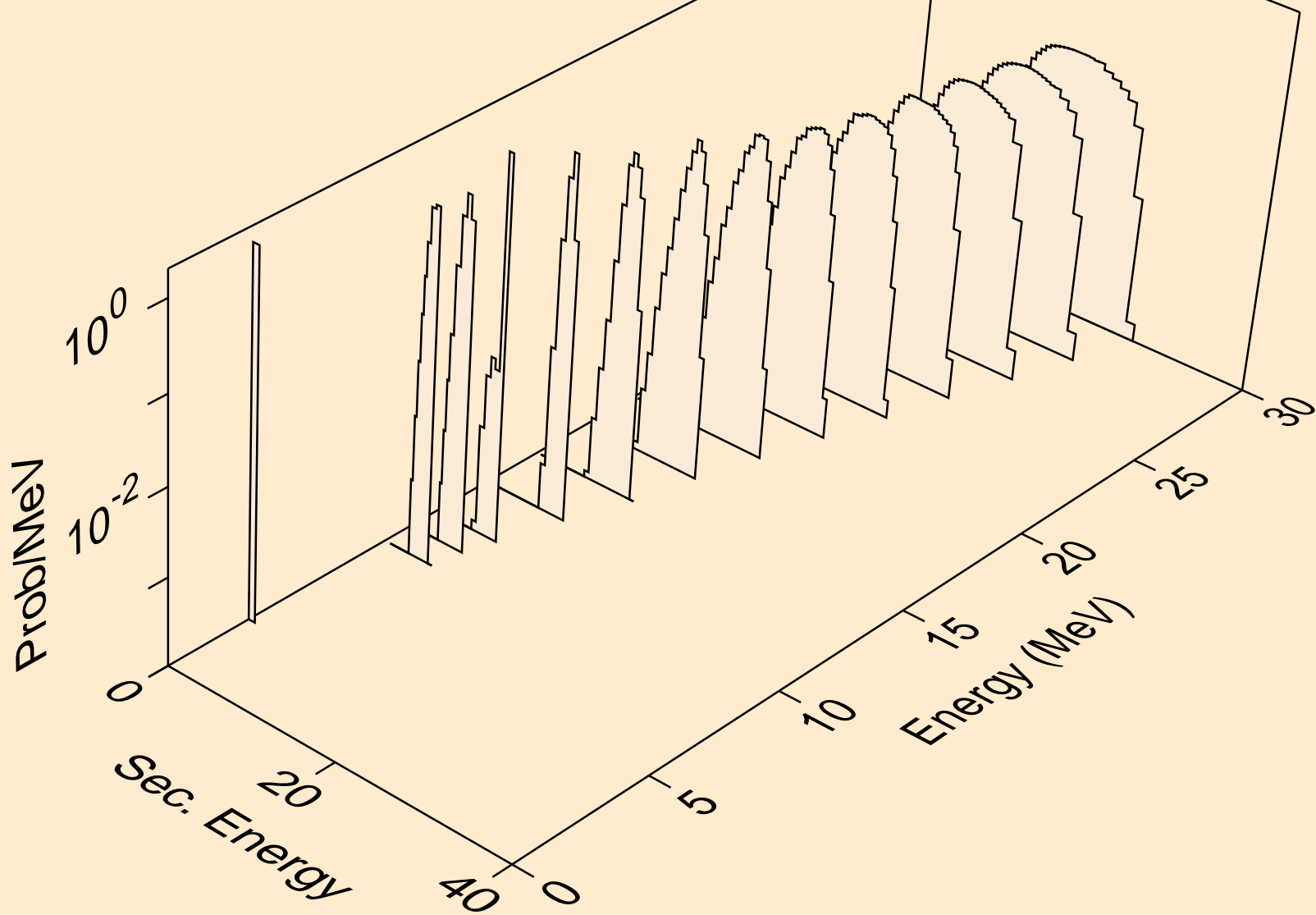
FM259 TRITON ACER TENDL-2021 LIBRARY; T=0.K  
neutrons from (t,3np)



FM259 TRITON ACER TENDL-2021 LIBRARY; T=0.K  
protons from (t,x)

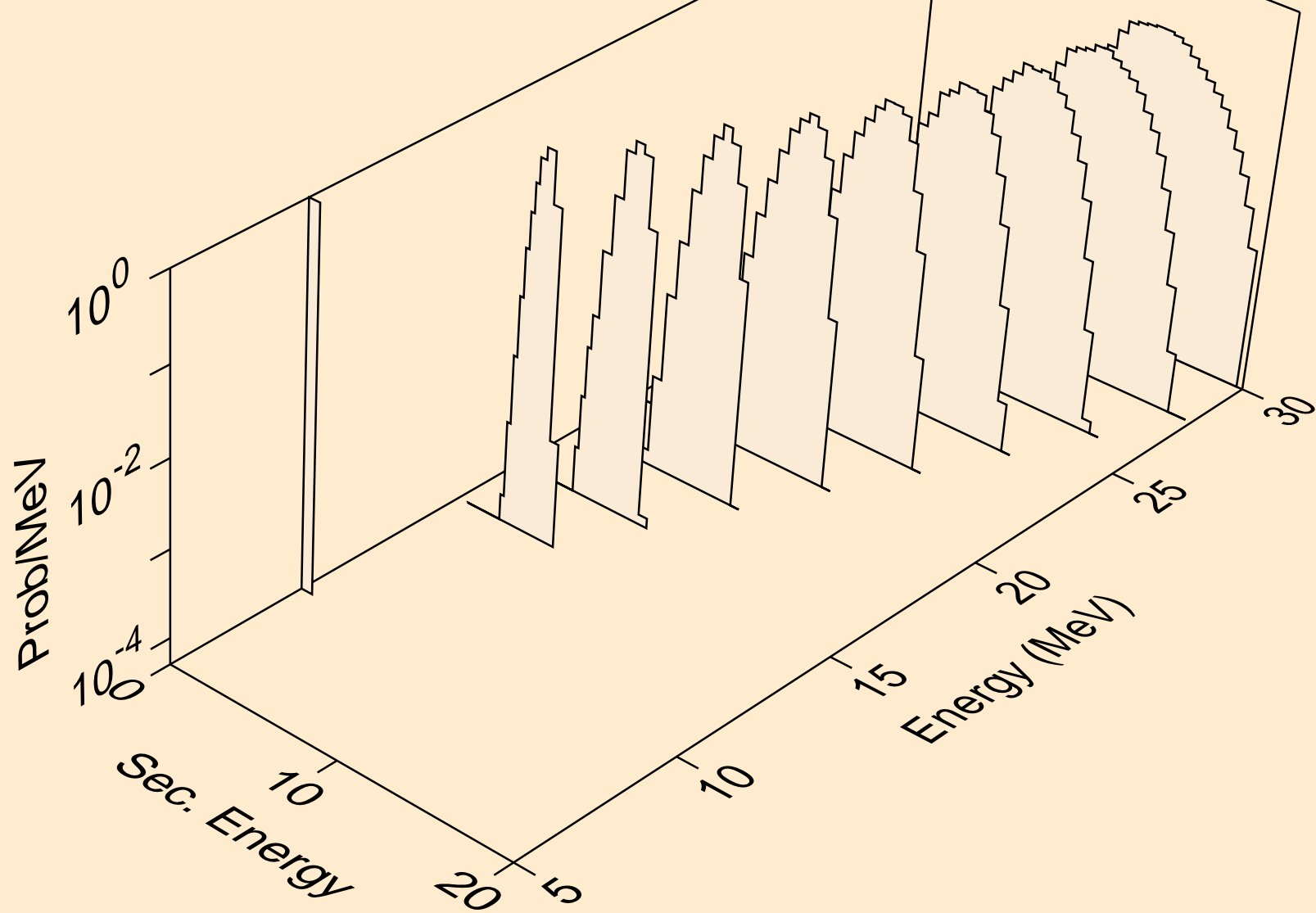


FM259 TRITON ACER TENDL-2021 LIBRARY; T=0.K  
protons from (t,n\*)p

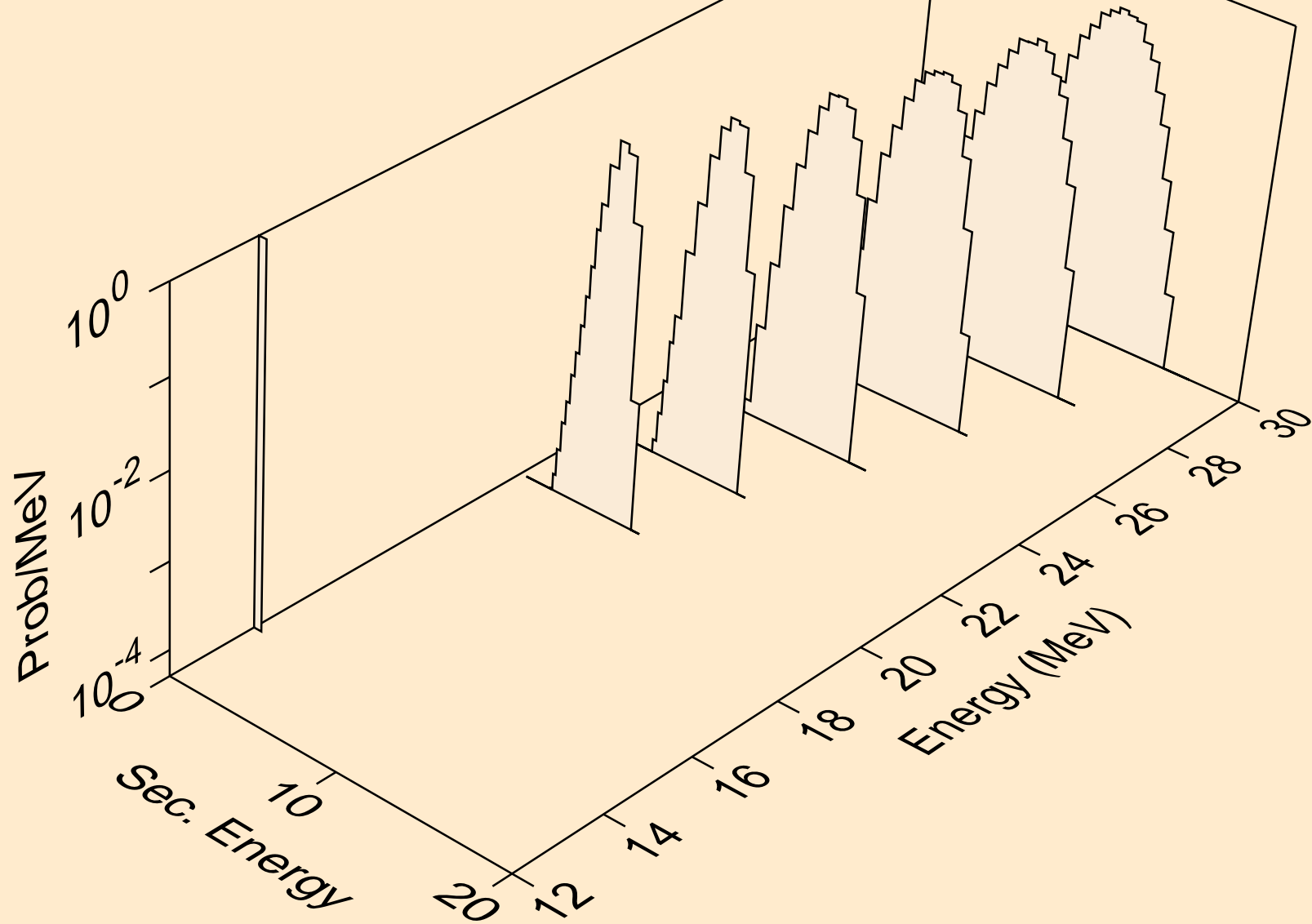




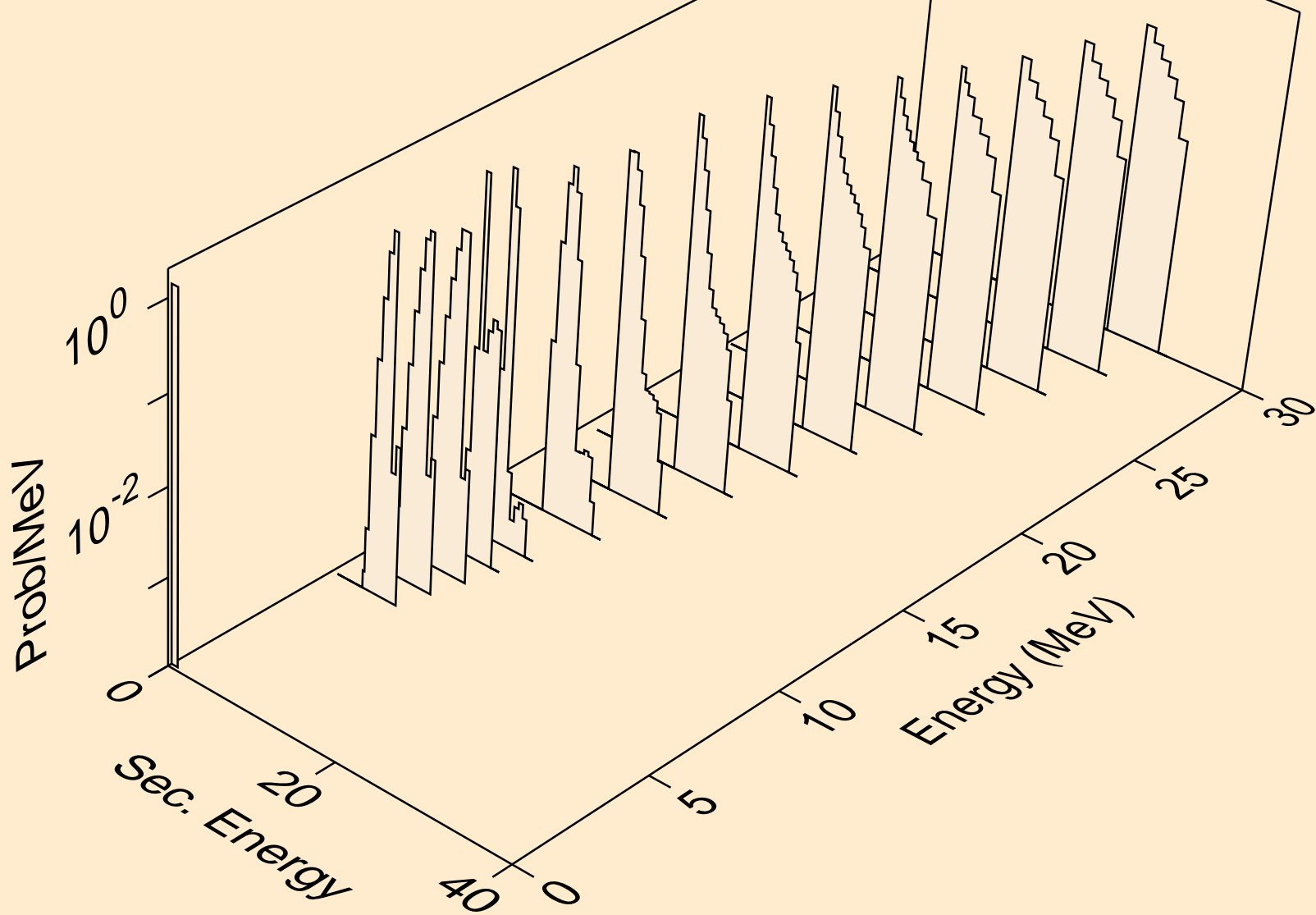
FM259 TRITON ACER TENDL-2021 LIBRARY; T=0.K  
protons from (t,2np)



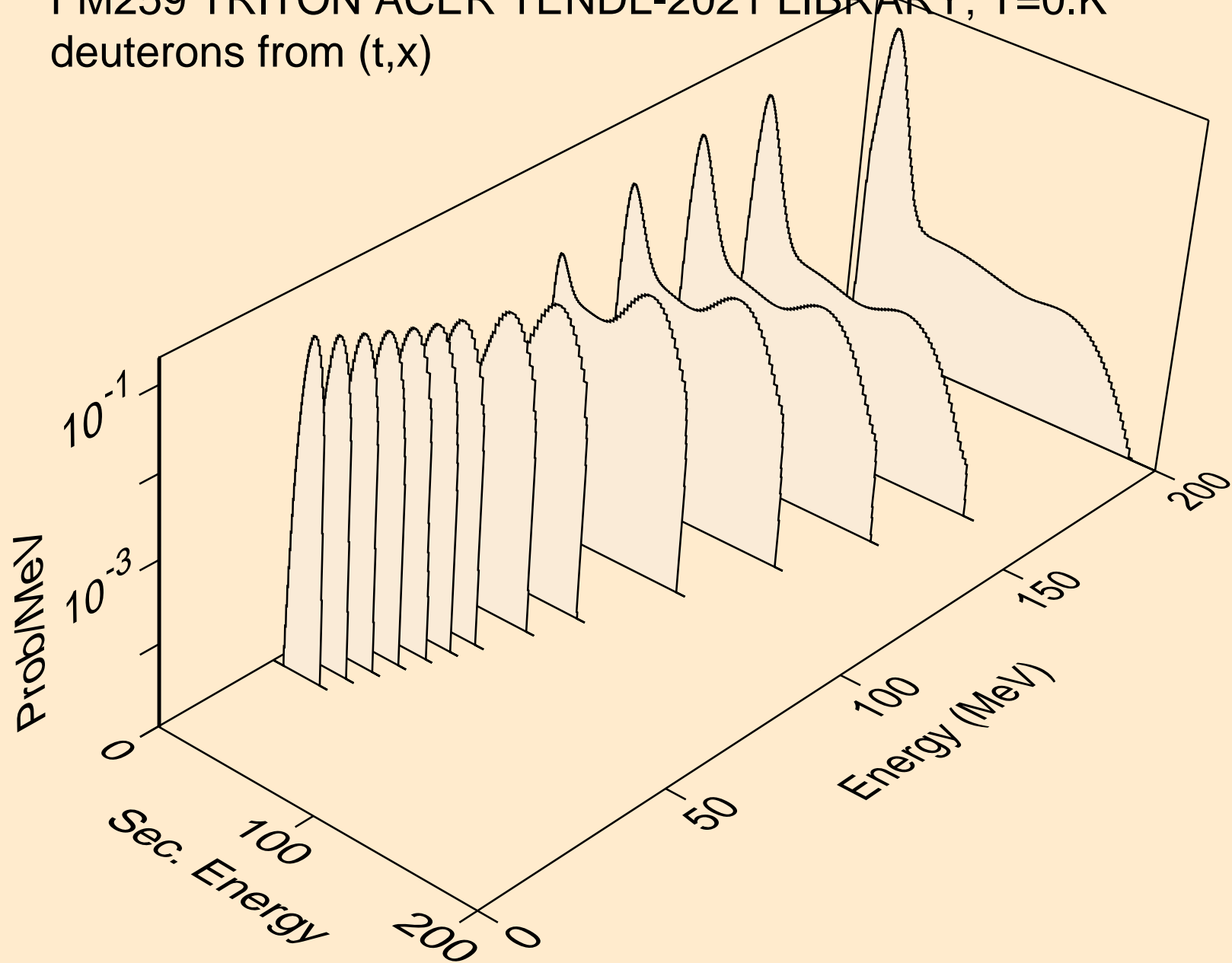
FM259 TRITON ACER TENDL-2021 LIBRARY; T=0.K  
protons from (t,3np)



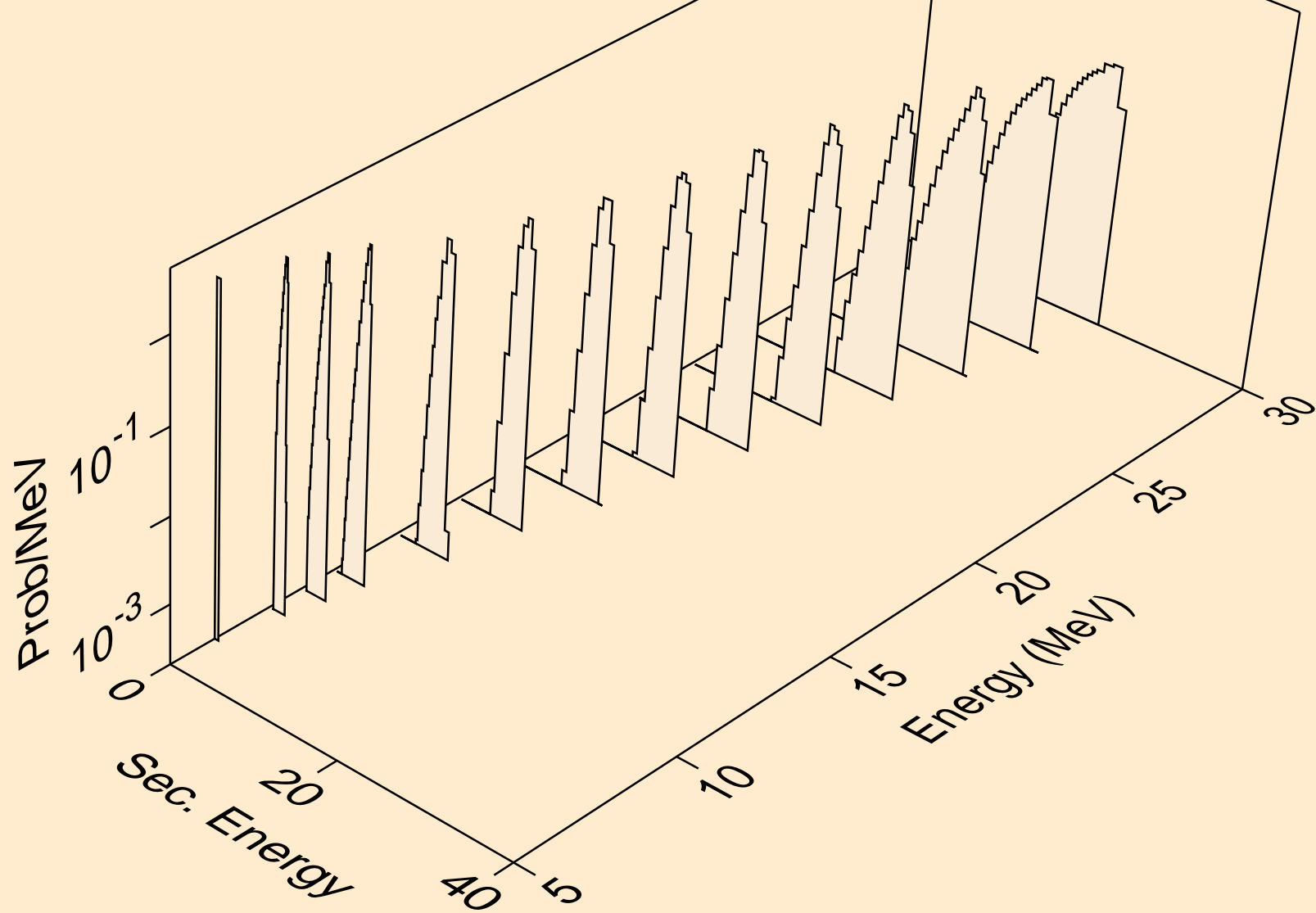
FM259 TRITON ACER TENDL-2021 LIBRARY; T=0.K  
protons from (t,p)



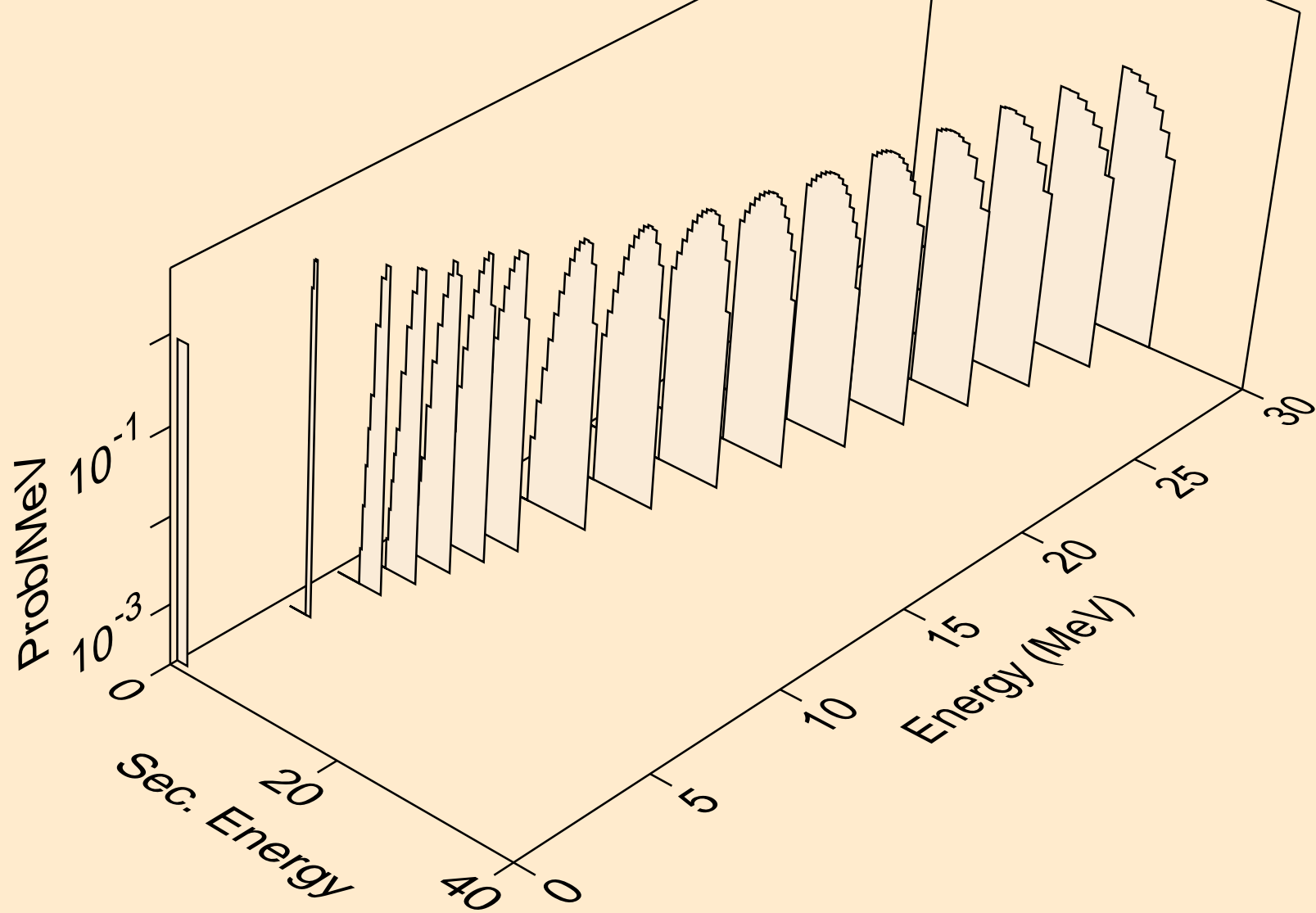
FM259 TRITON ACER TENDL-2021 LIBRARY; T=0.K  
deuterons from (t,x)



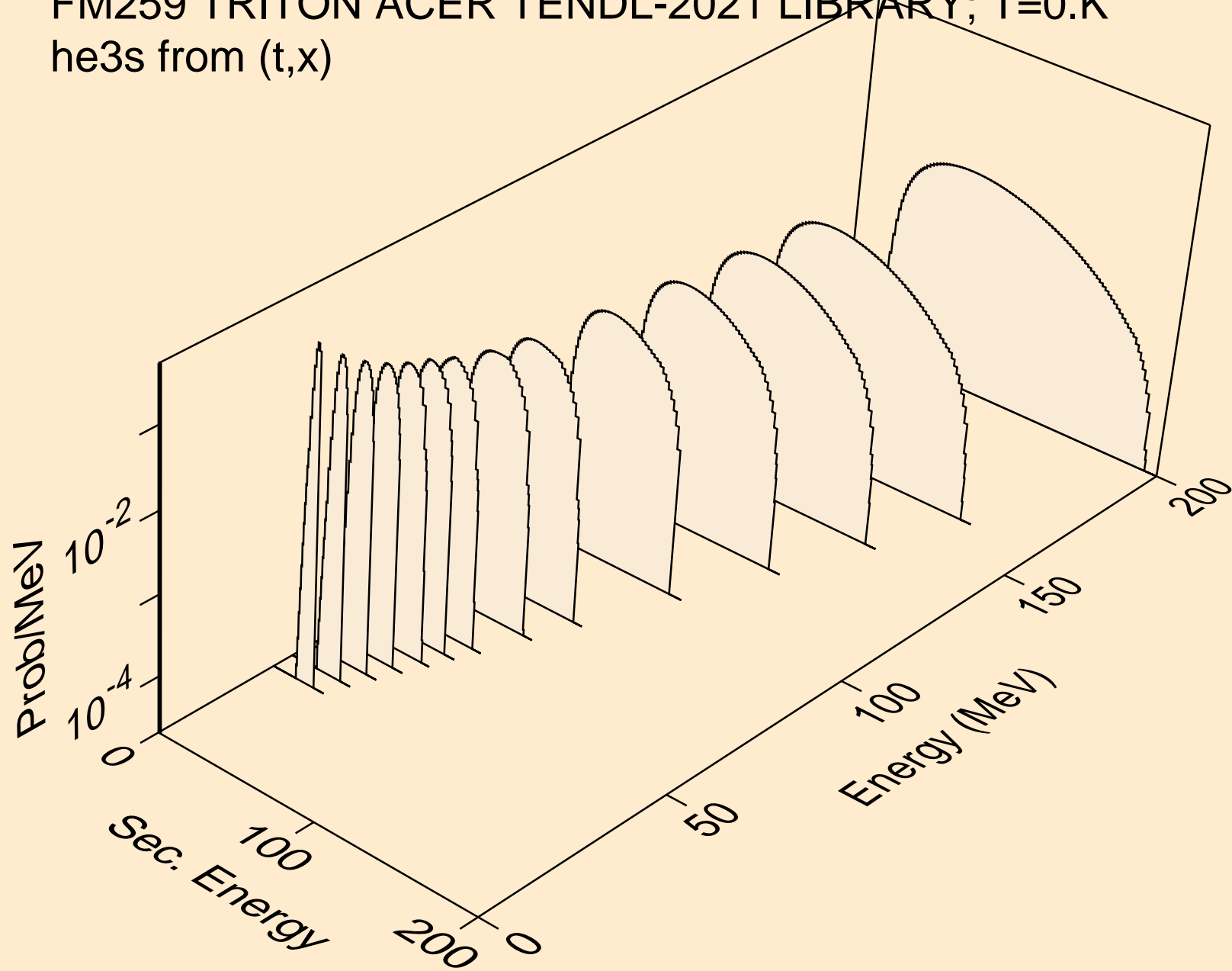
FM259 TRITON ACER TENDL-2021 LIBRARY; T=0.K  
deuterons from (t,n\*)d



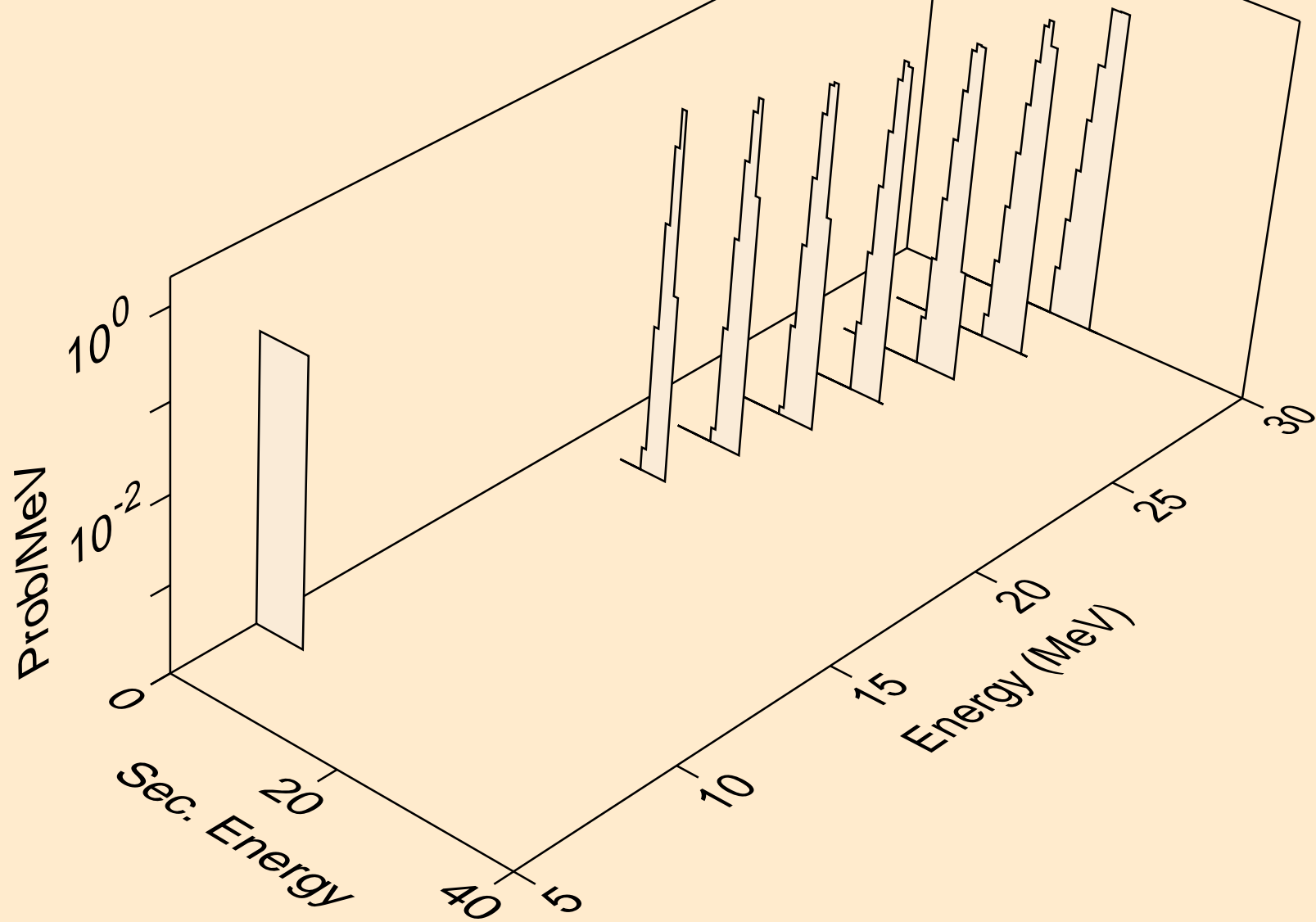
FM259 TRITON ACER TENDL-2021 LIBRARY; T=0.K  
deuterons from (t,d)



FM259 TRITON ACER TENDL-2021 LIBRARY; T=0.K  
he3s from (t,x)

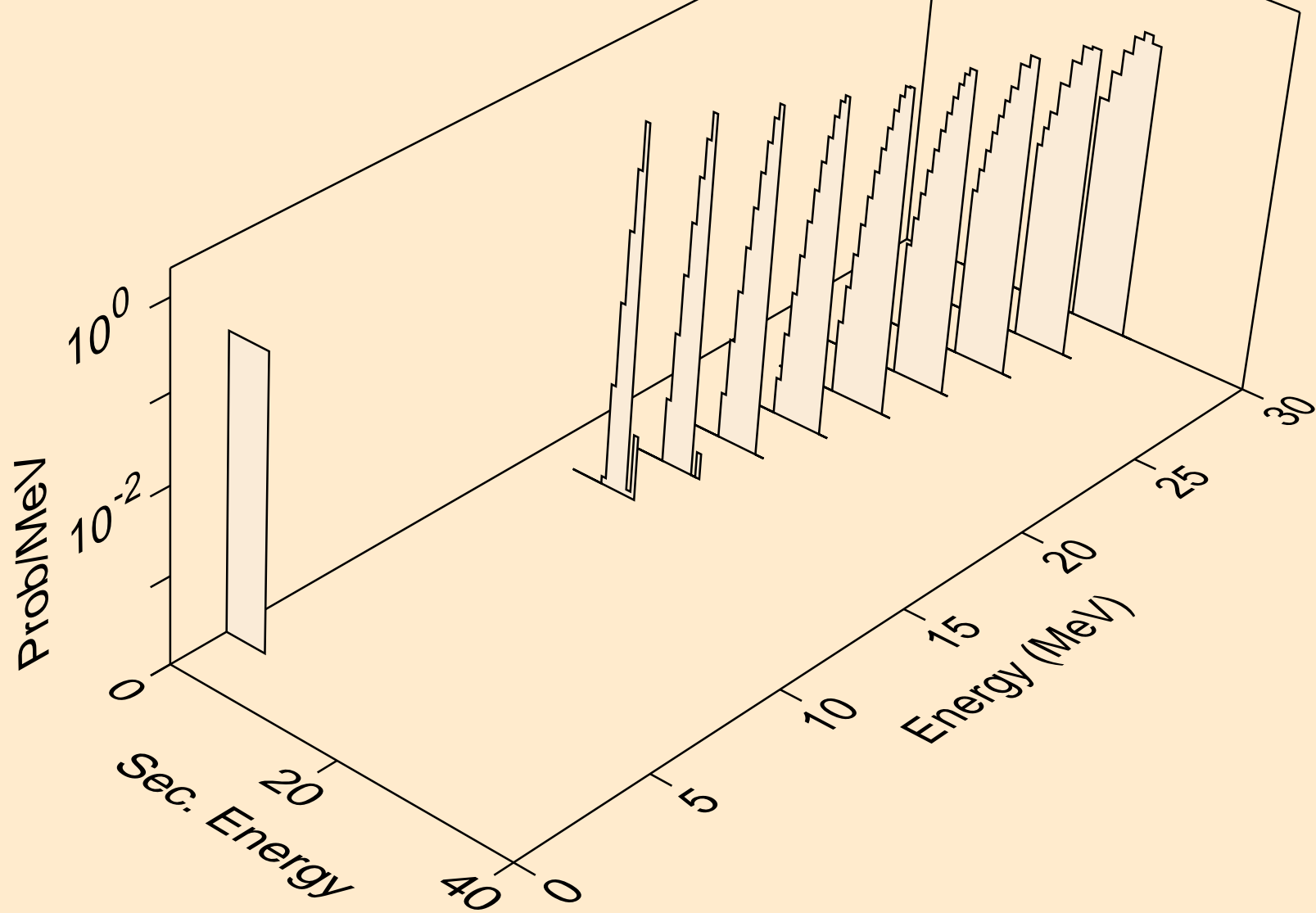


FM259 TRITON ACER TENDL-2021 LIBRARY; T=0.K  
he3s from (t,n\*)he3

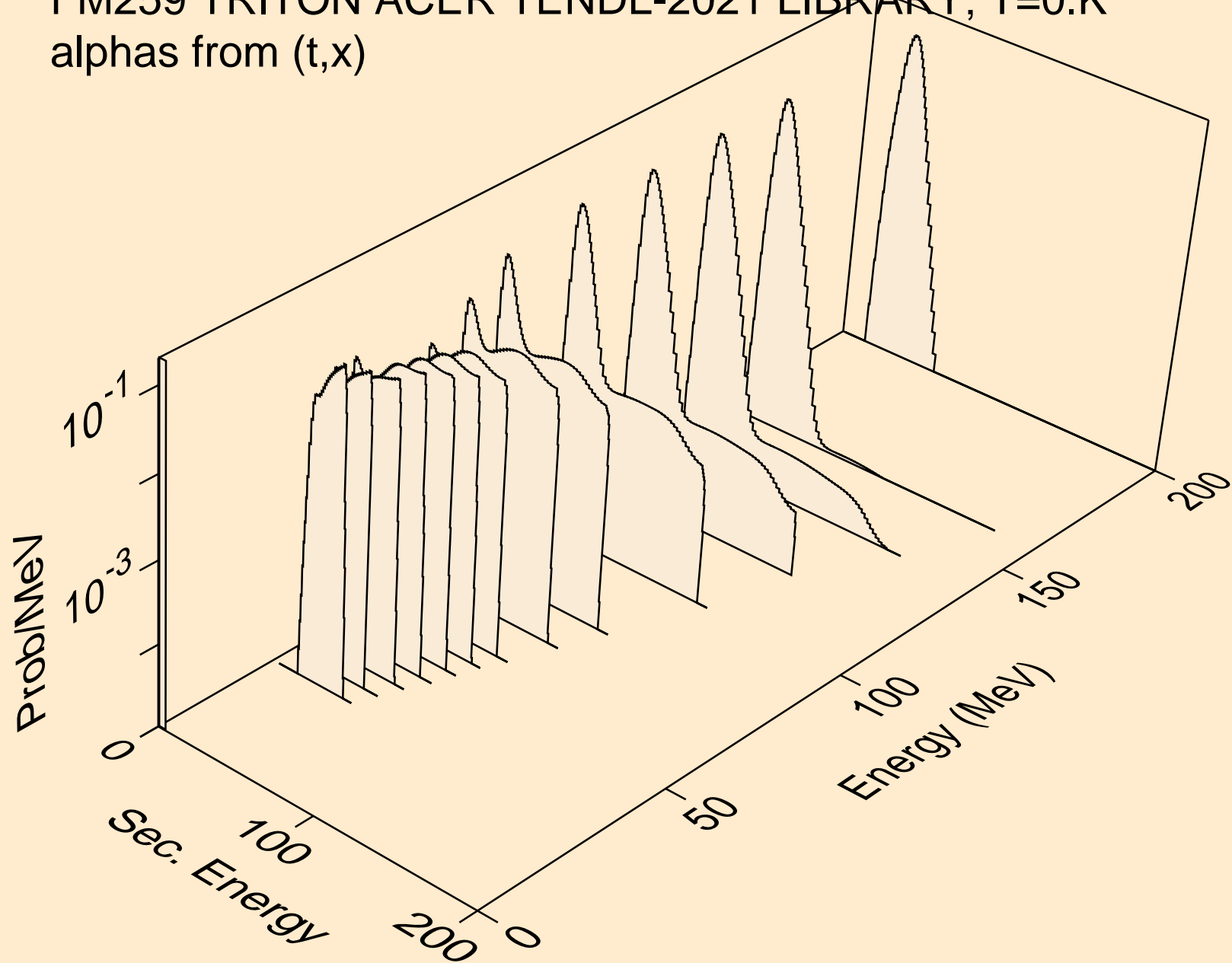




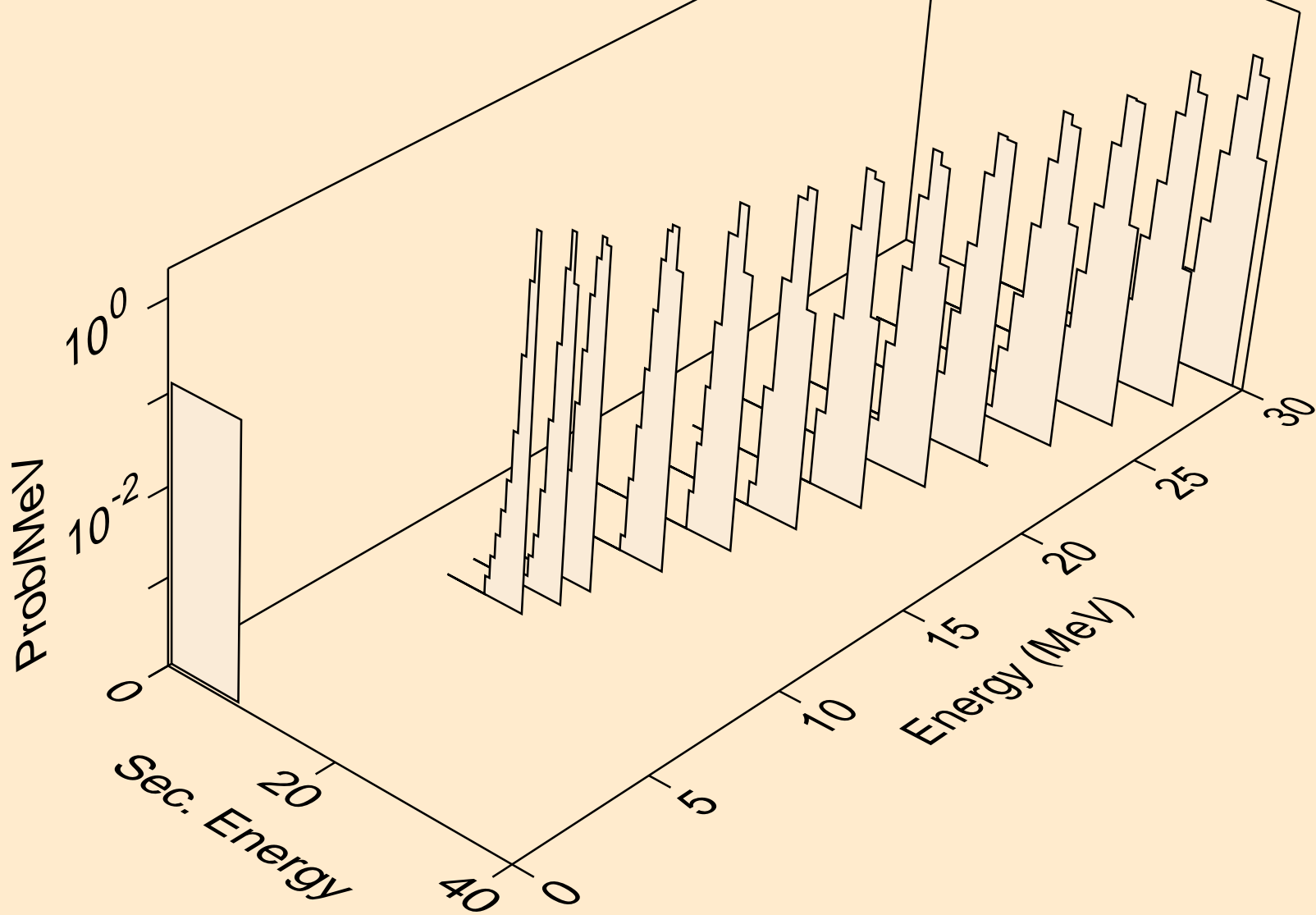
FM259 TRITON ACER TENDL-2021 LIBRARY; T=0.K  
he3s from (t,he3)



FM259 TRITON ACER TENDL-2021 LIBRARY; T=0.K  
alphas from (t,x)



FM259 TRITON ACER TENDL-2021 LIBRARY; T=0.K  
alphas from (t,n\*)a



FM259 TRITON ACER TENDL-2021 LIBRARY; T=0.K  
alphas from (t,a)

