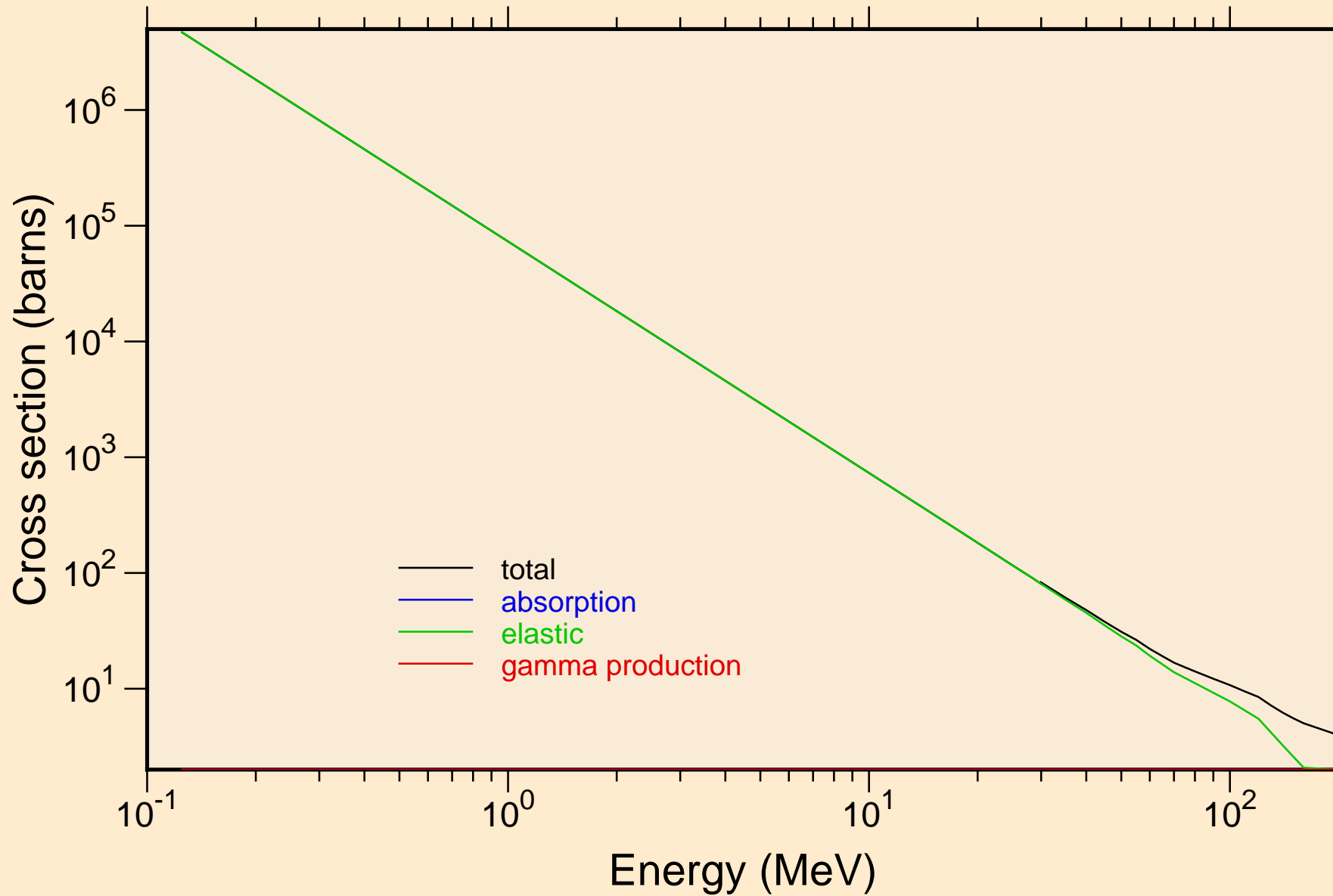
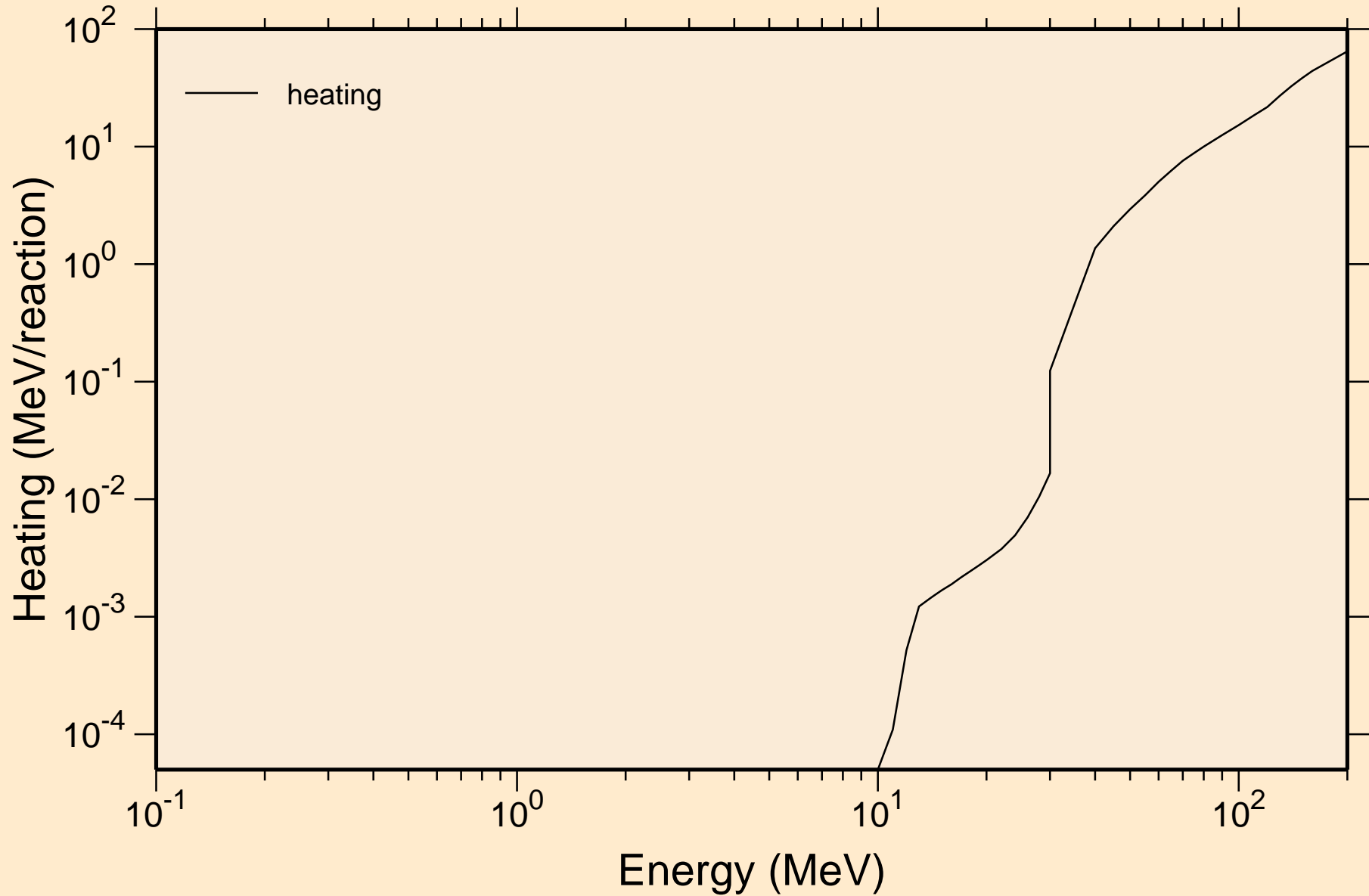


HS269 TRITON ACER TENDL-2021 LIBRARY; T=0.K
Principal cross sections



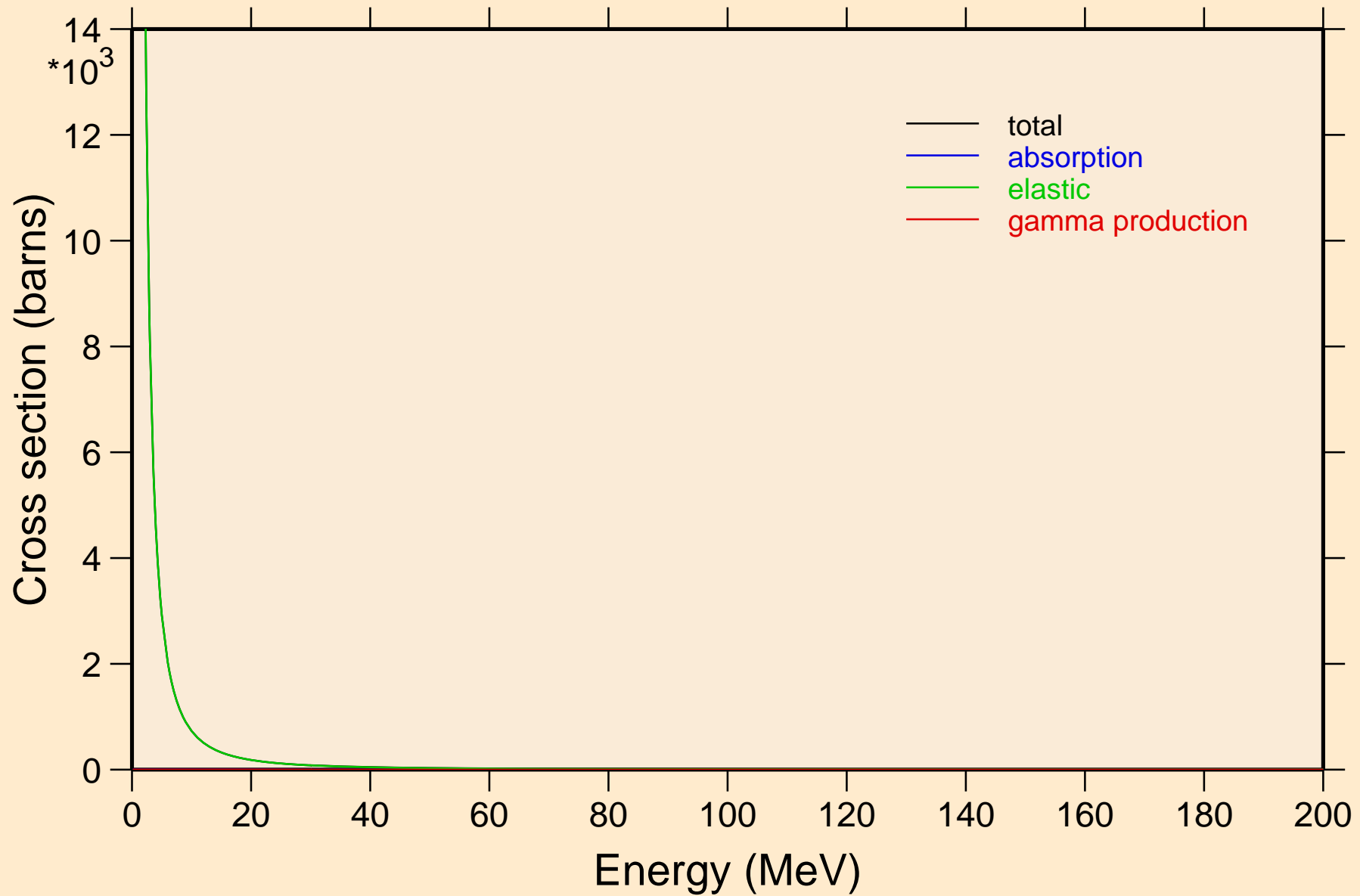
HS269 TRITON ACER TENDL-2021 LIBRARY; T=0.K

Heating



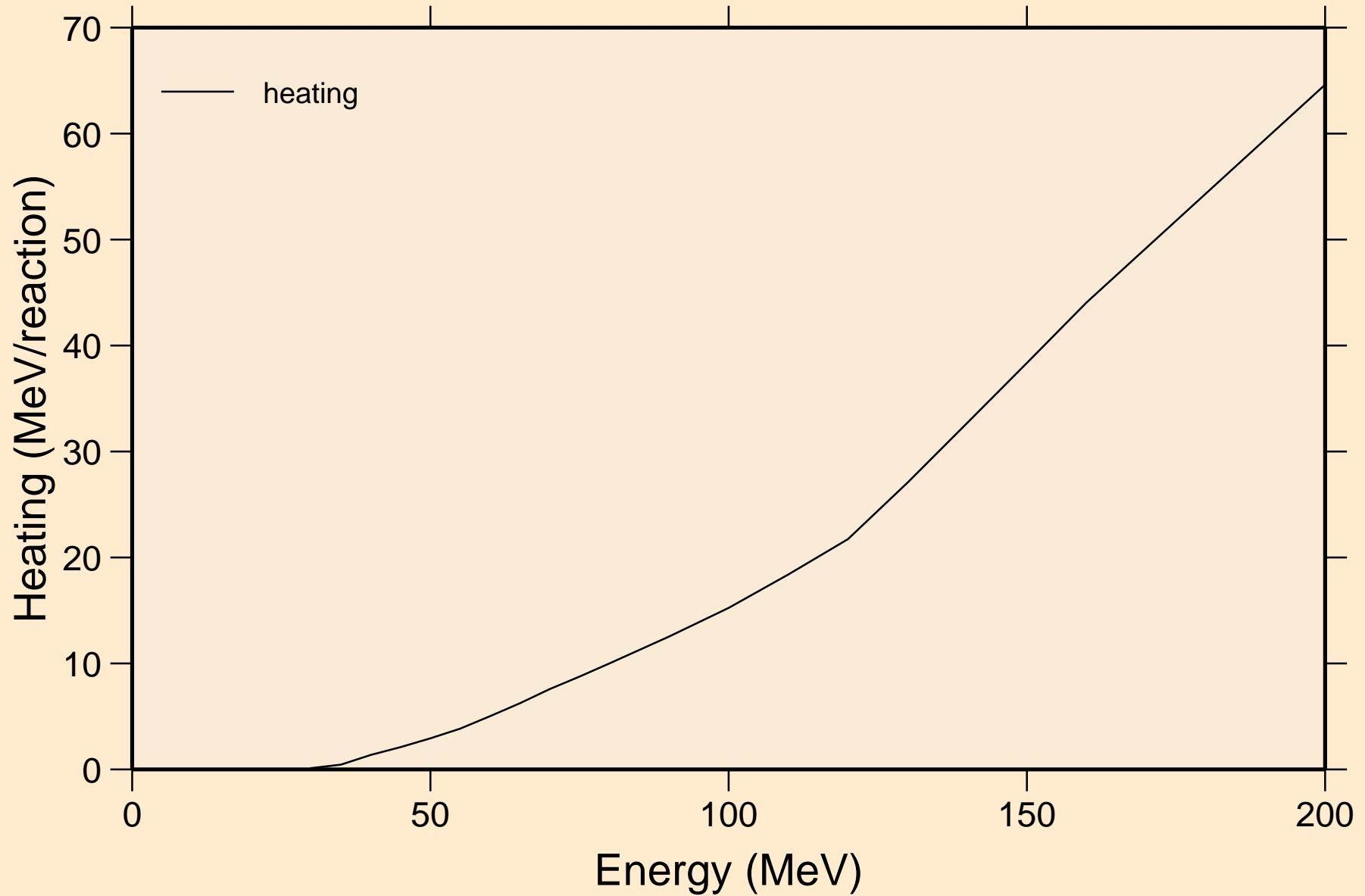
HS269 TRITON ACER TENDL-2021 LIBRARY; T=0.K

Principal cross sections

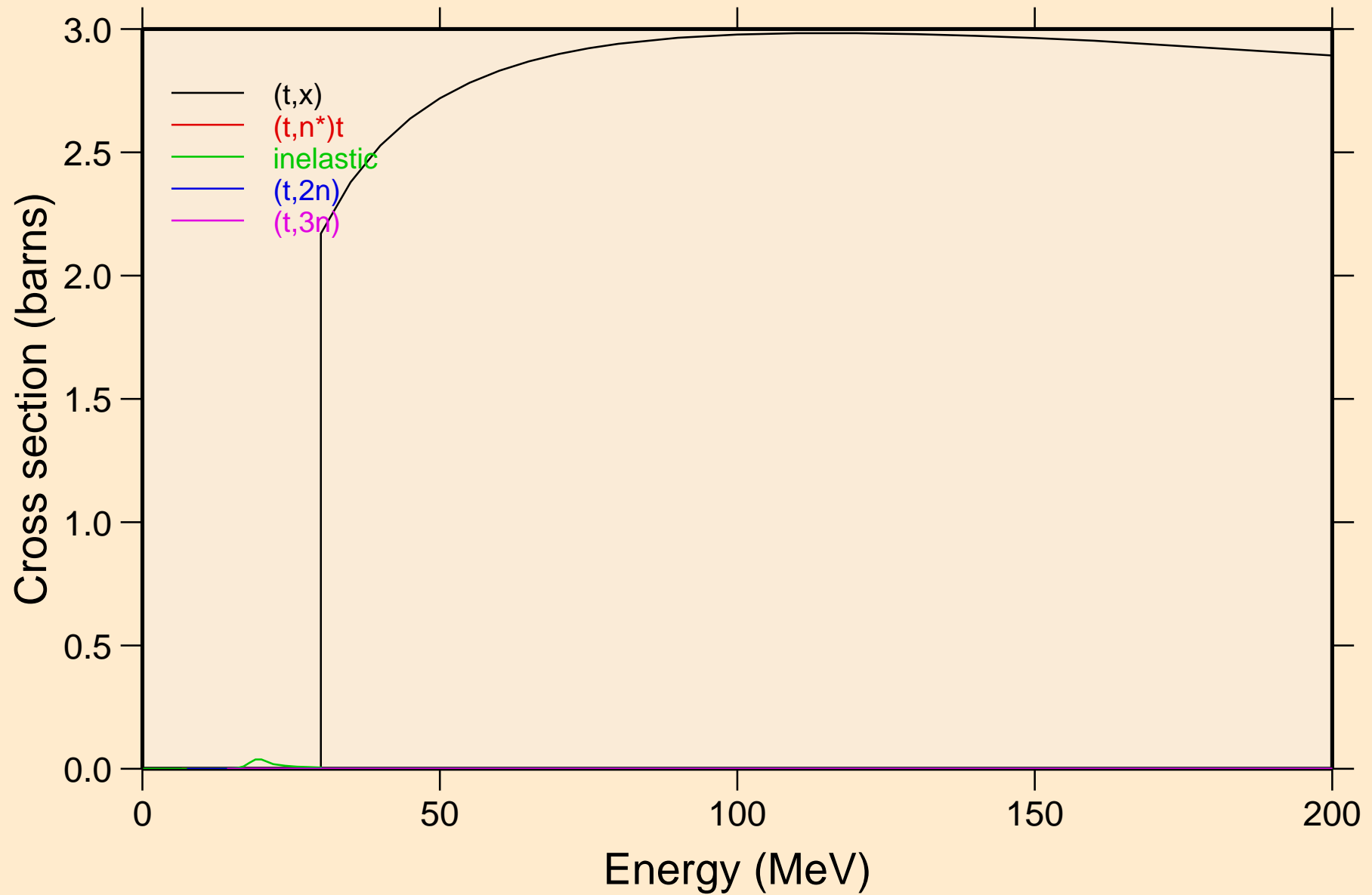


HS269 TRITON ACER TENDL-2021 LIBRARY; T=0.K

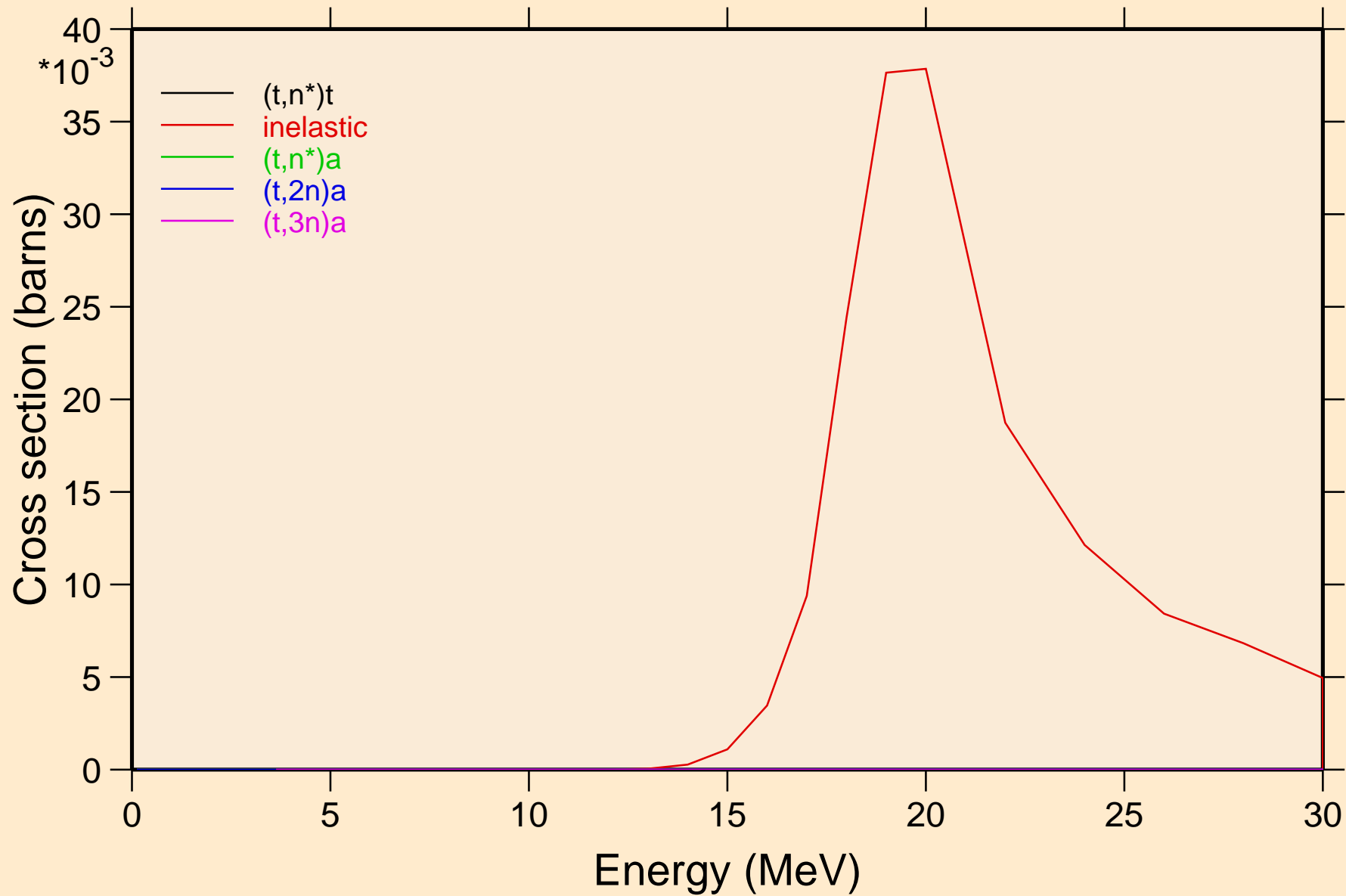
Heating



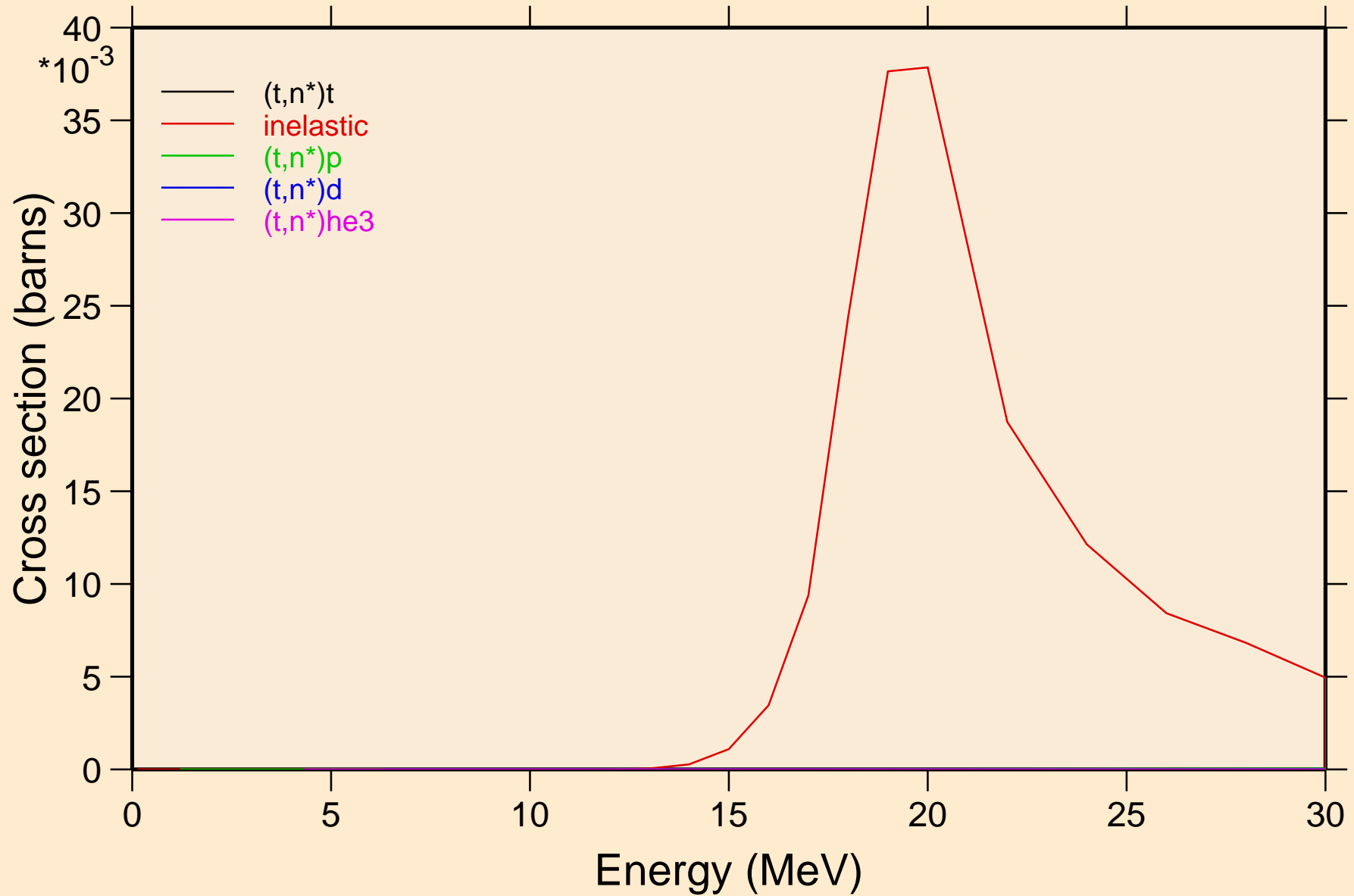
HS269 TRITON ACER TENDL-2021 LIBRARY; T=0.K
Threshold reactions



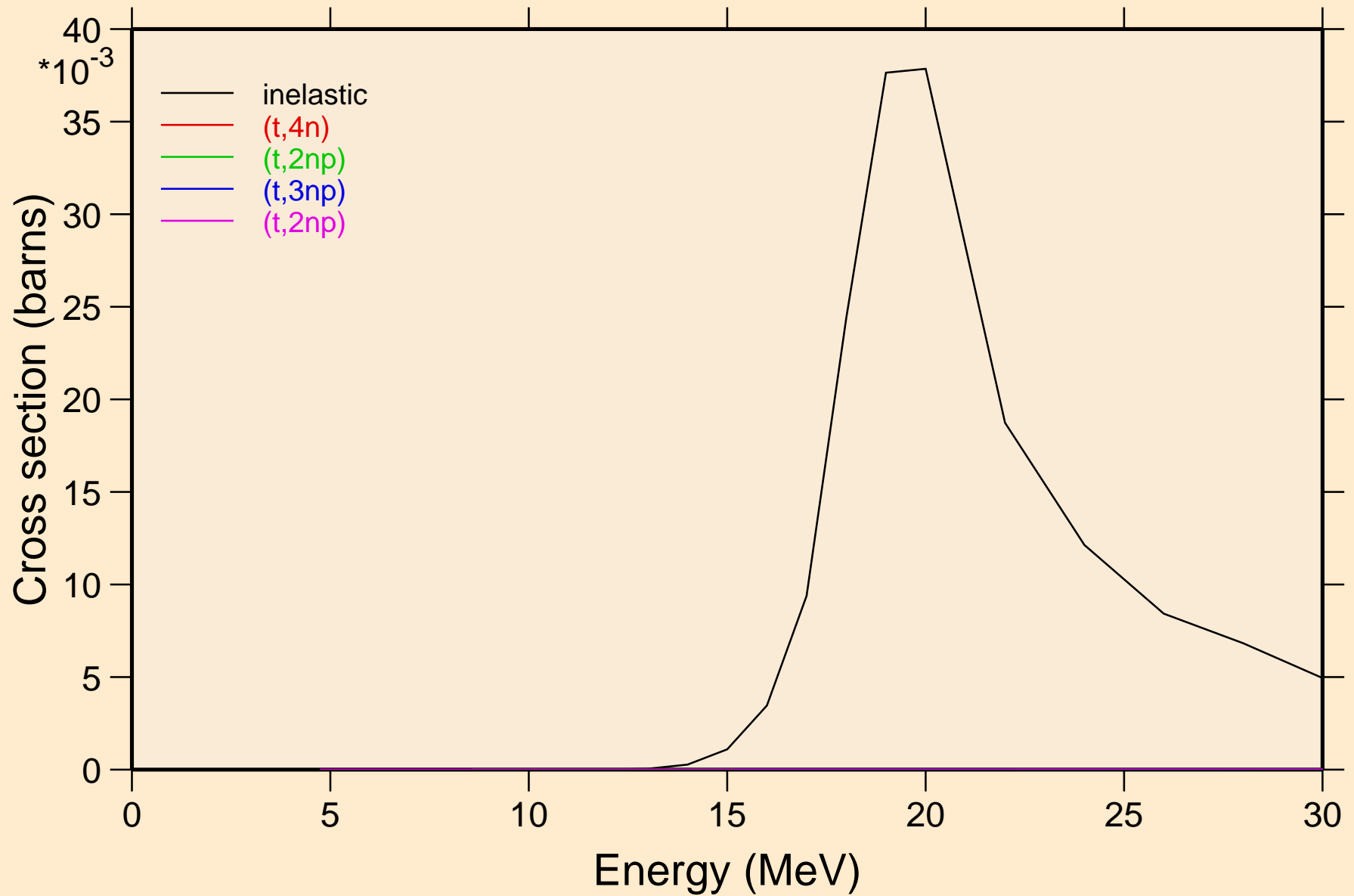
HS269 TRITON ACER TENDL-2021 LIBRARY; T=0.K
Threshold reactions



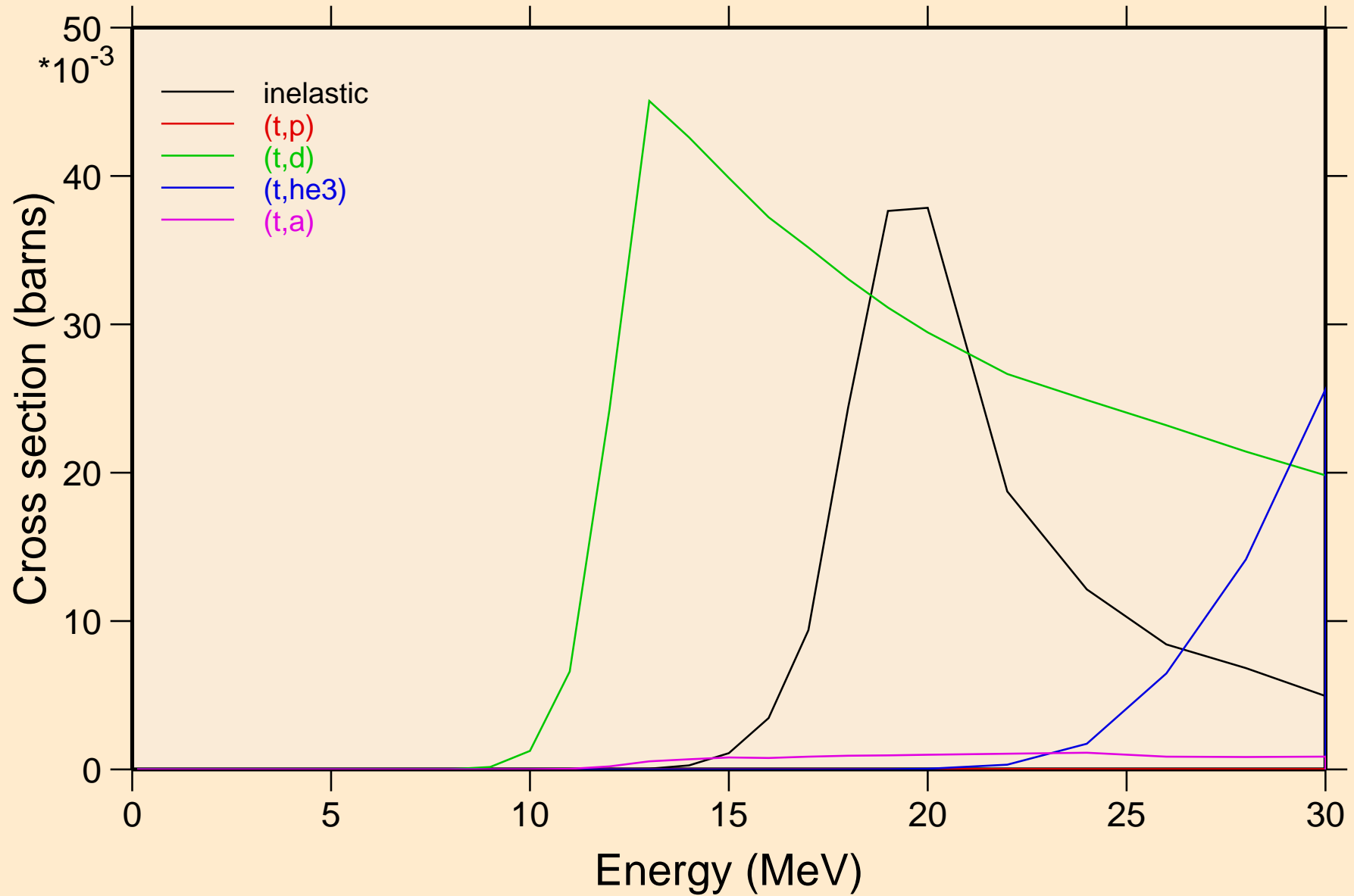
HS269 TRITON ACER TENDL-2021 LIBRARY; T=0.K
Threshold reactions



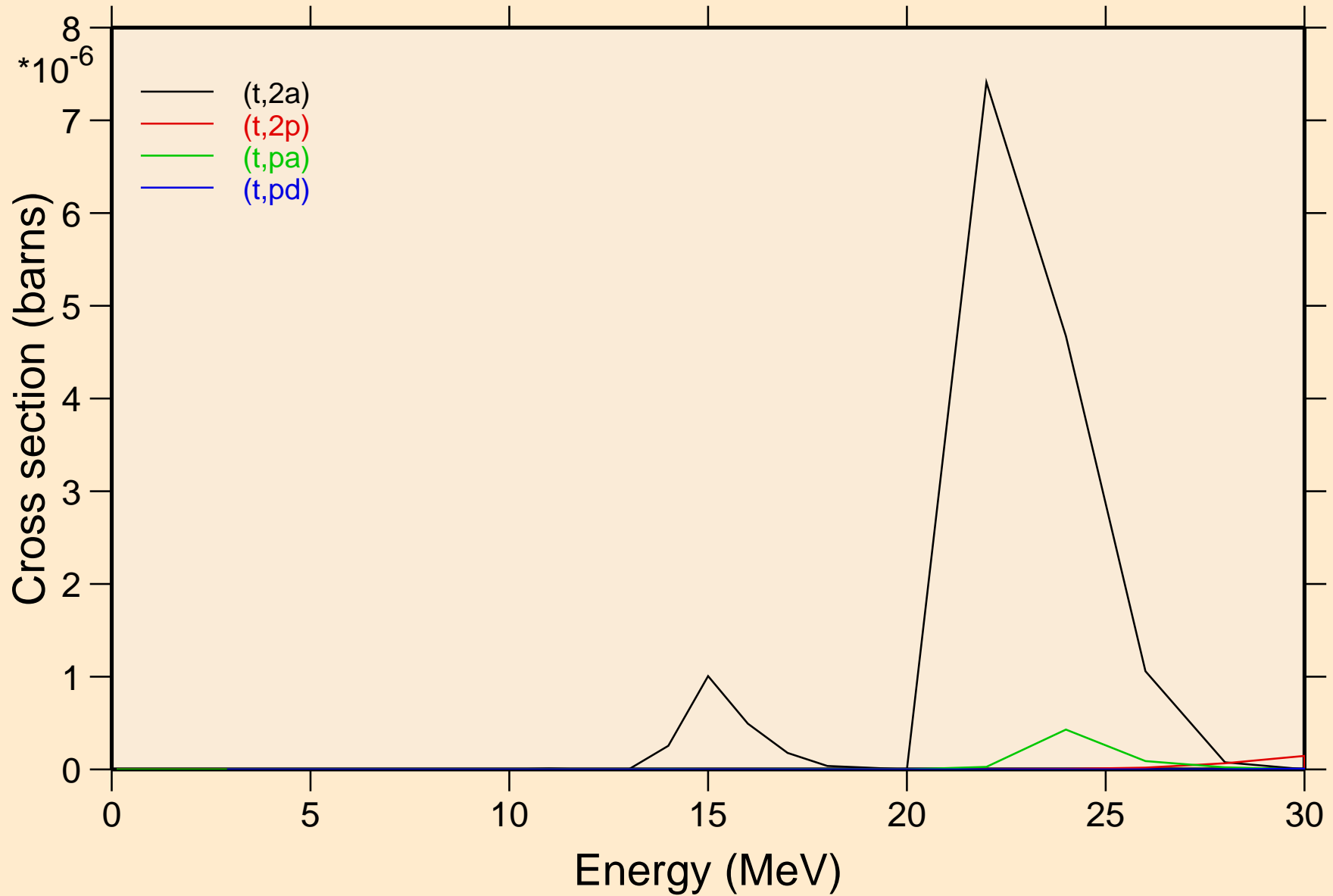
HS269 TRITON ACER TENDL-2021 LIBRARY; T=0.K
Threshold reactions



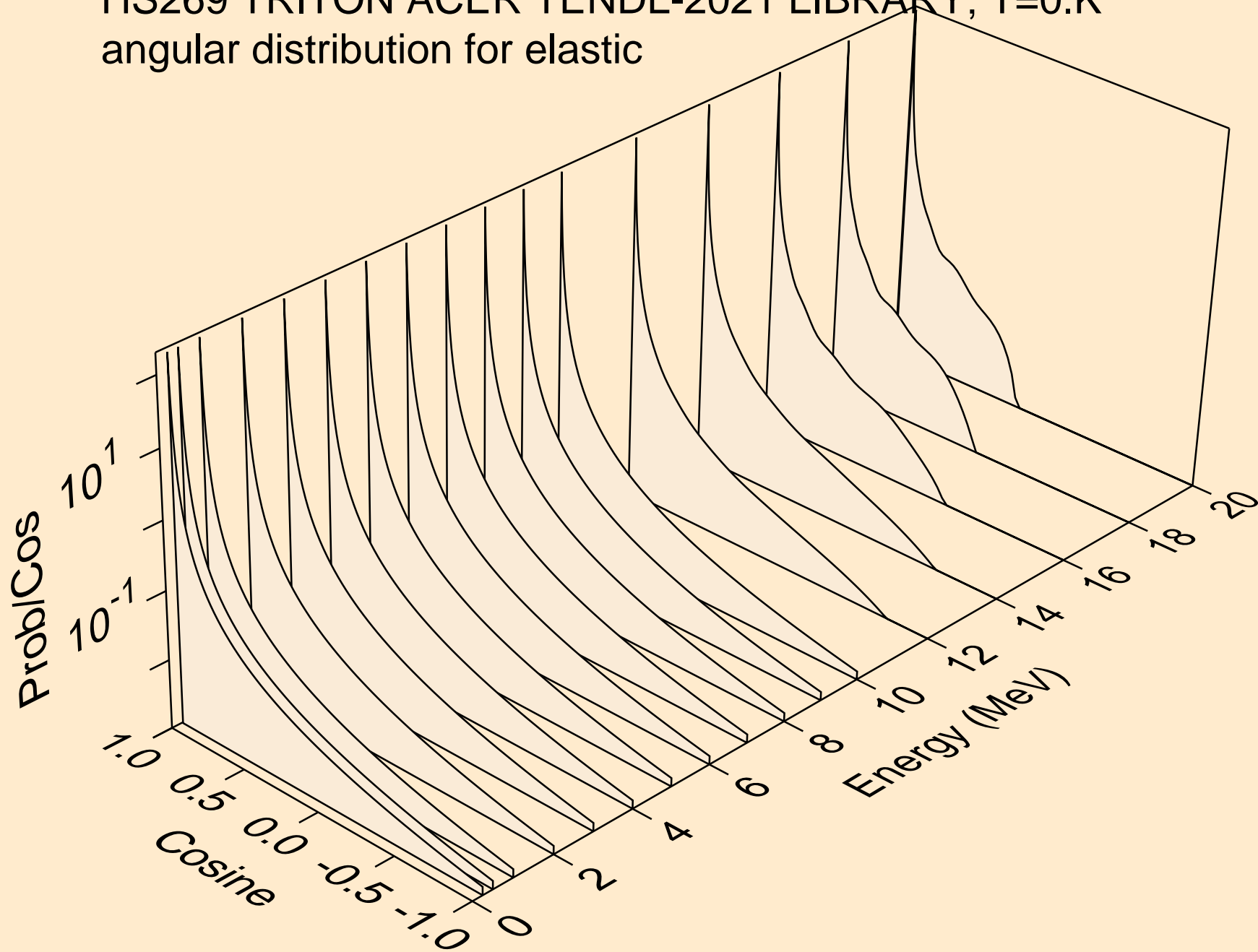
HS269 TRITON ACER TENDL-2021 LIBRARY; T=0.K
Threshold reactions



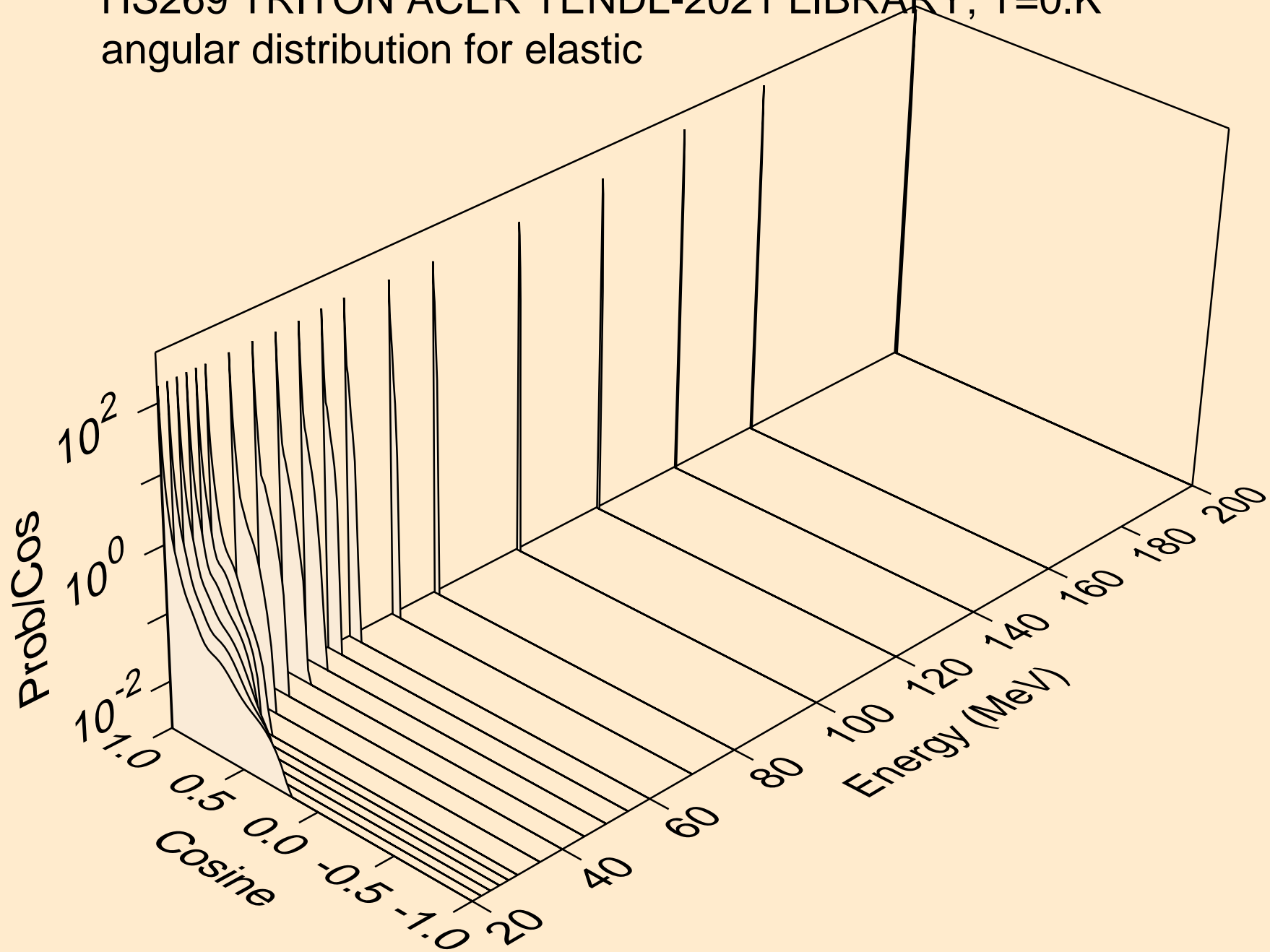
HS269 TRITON ACER TENDL-2021 LIBRARY; T=0.K
Threshold reactions



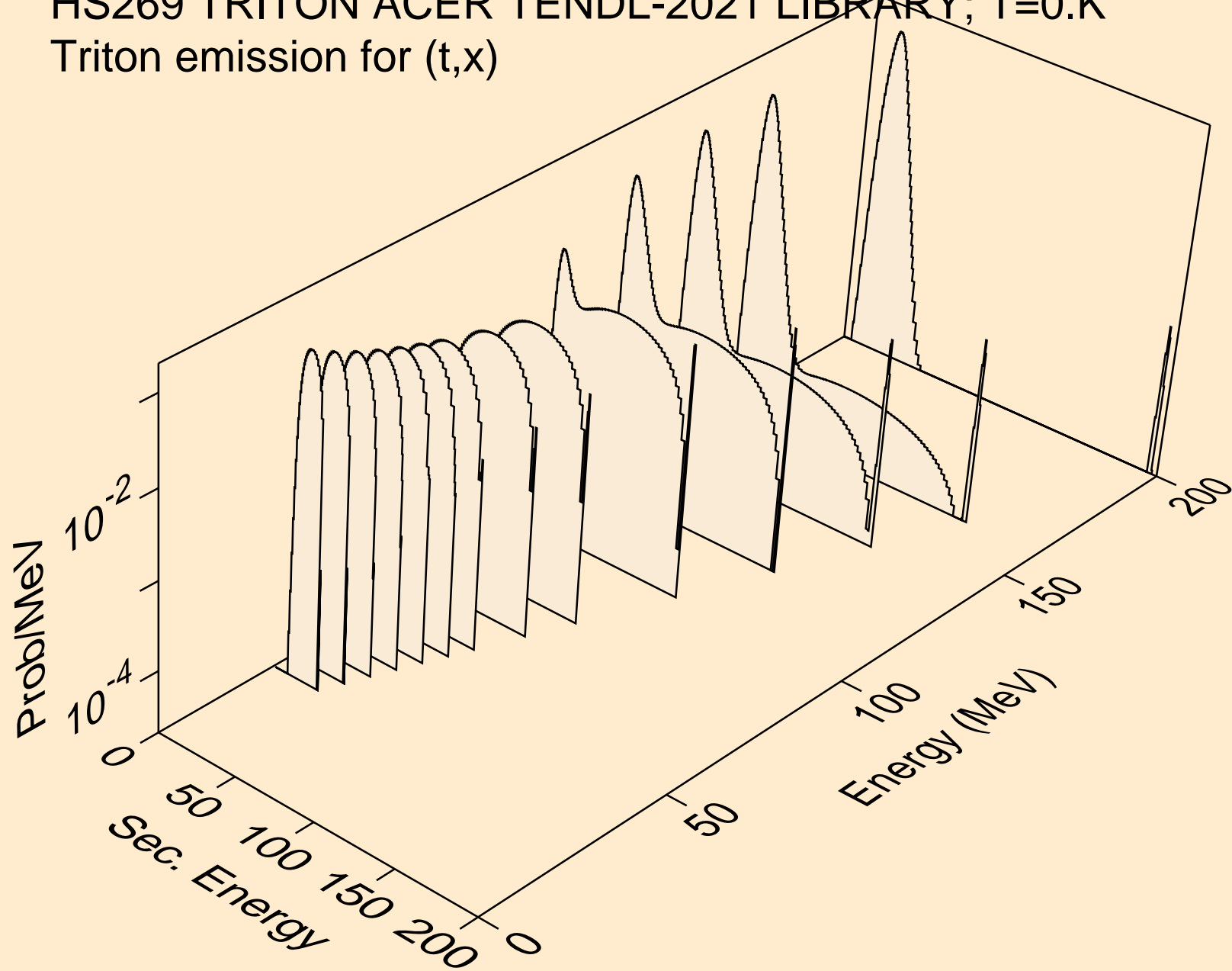
HS269 TRITON ACER TENDL-2021 LIBRARY; T=0.K
angular distribution for elastic



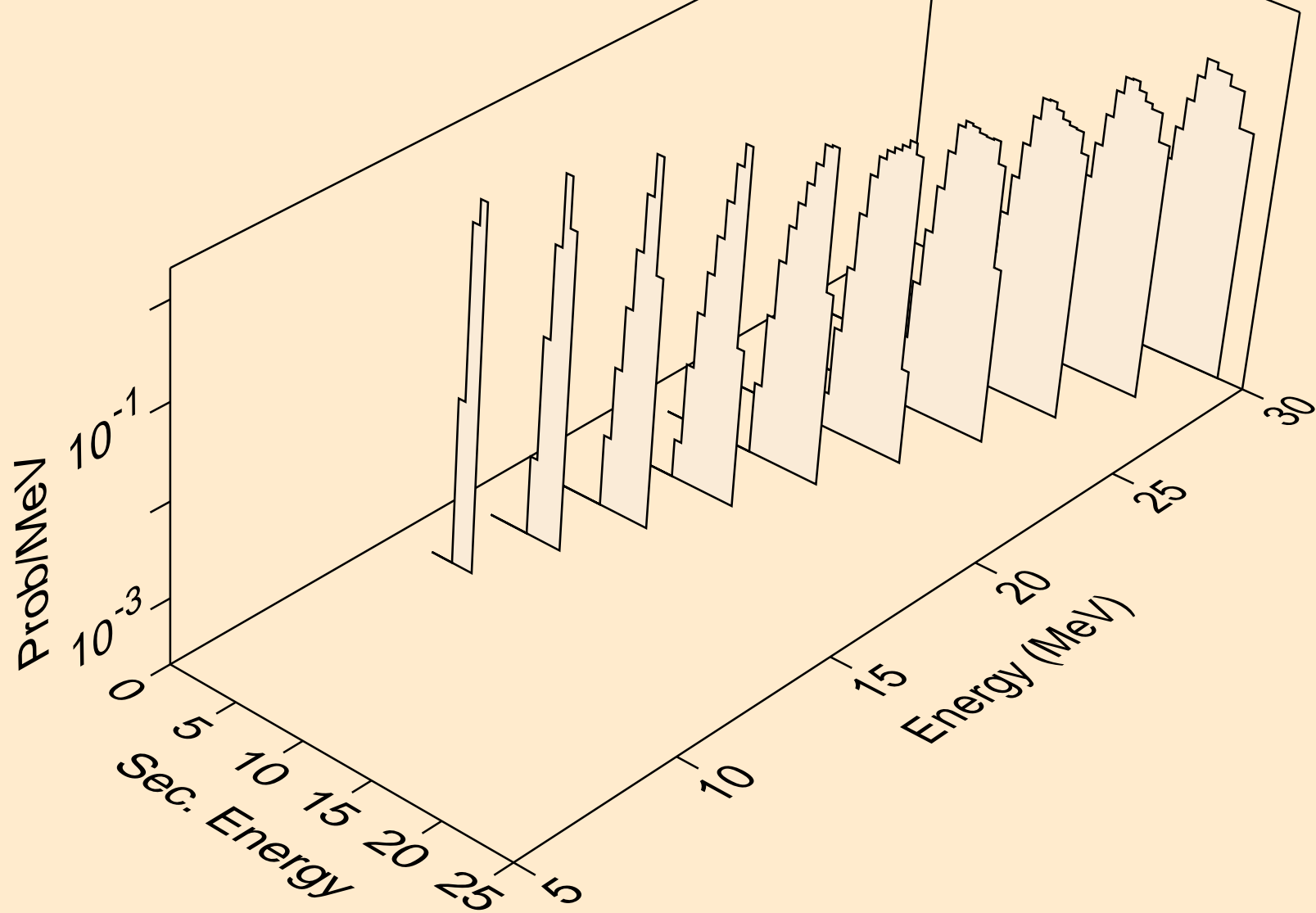
HS269 TRITON ACER TENDL-2021 LIBRARY; T=0.K
angular distribution for elastic



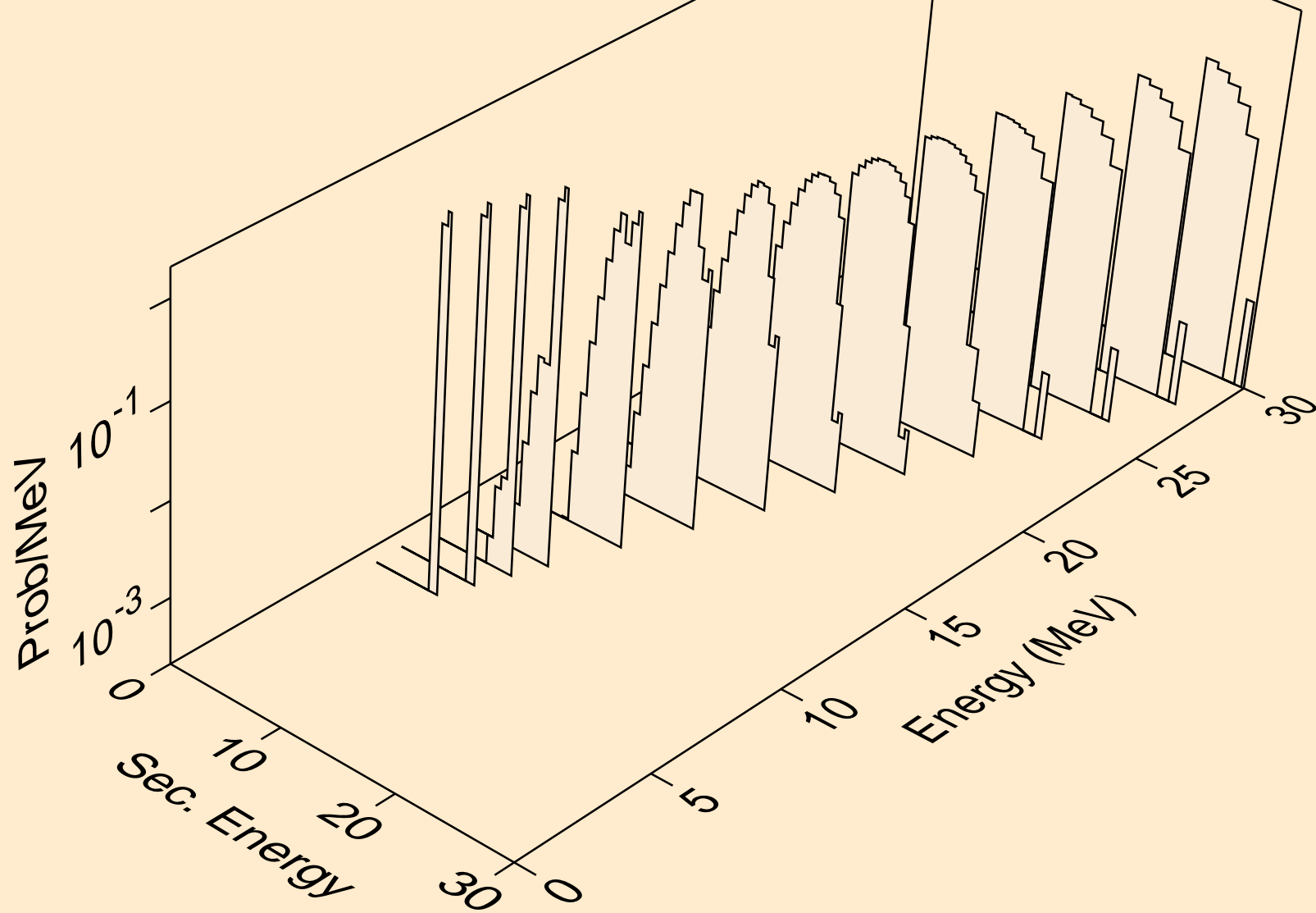
HS269 TRITON ACER TENDL-2021 LIBRARY; T=0.K
Triton emission for (t,x)



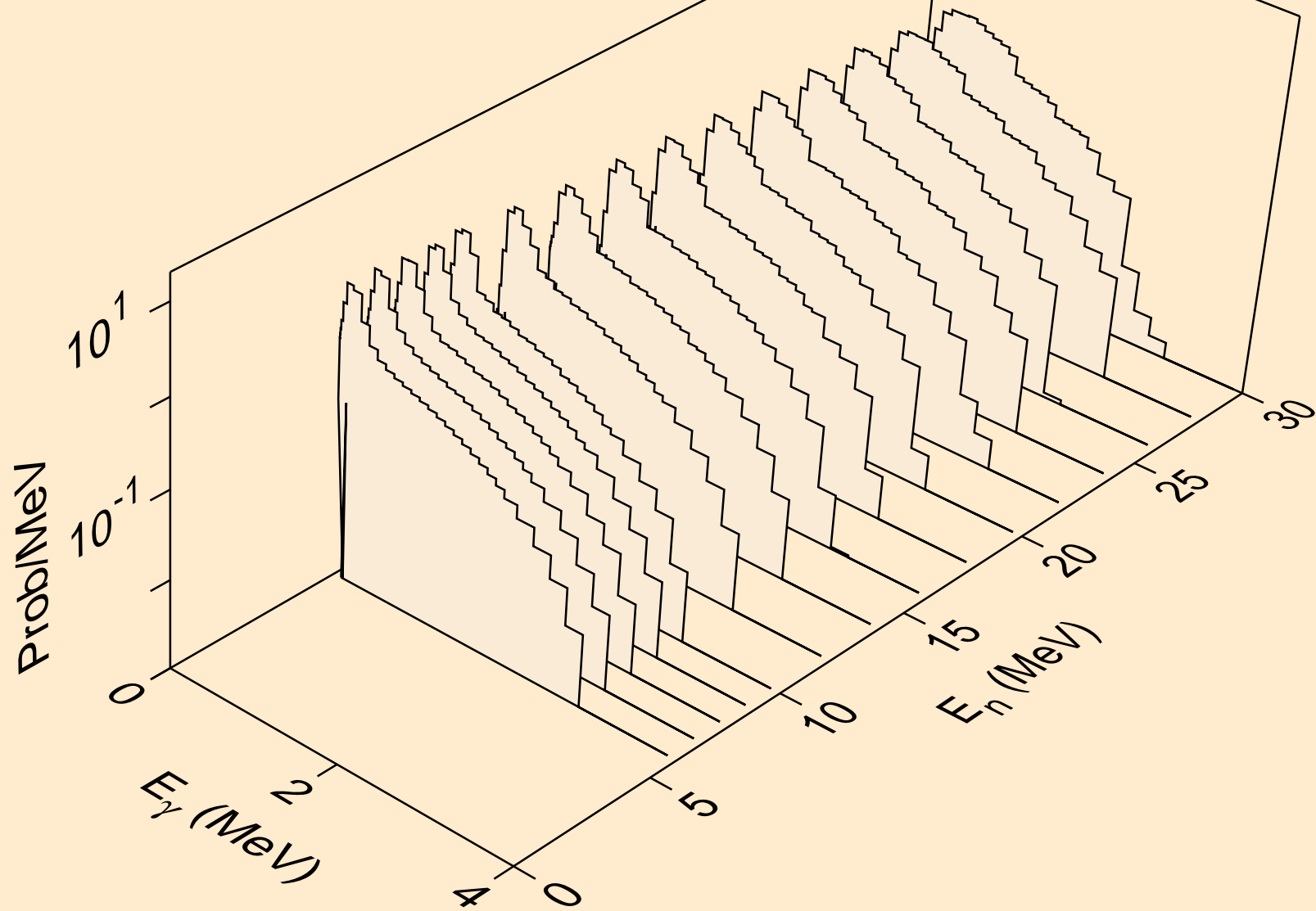
HS269 TRITON ACER TENDL-2021 LIBRARY; T=0.K
Triton emission for (t,n*)t



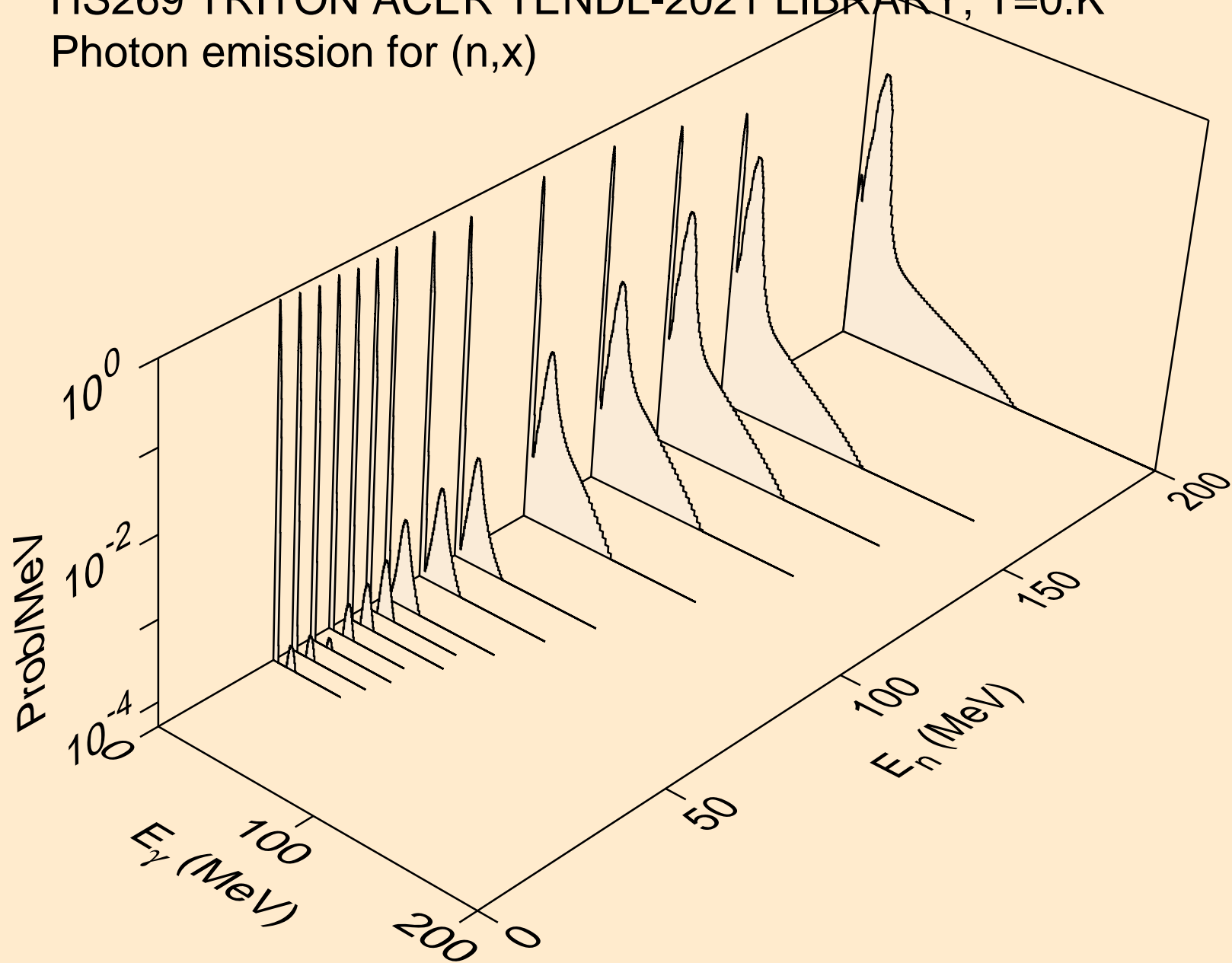
HS269 TRITON ACER TENDL-2021 LIBRARY; T=0.K
Triton emission for inelastic



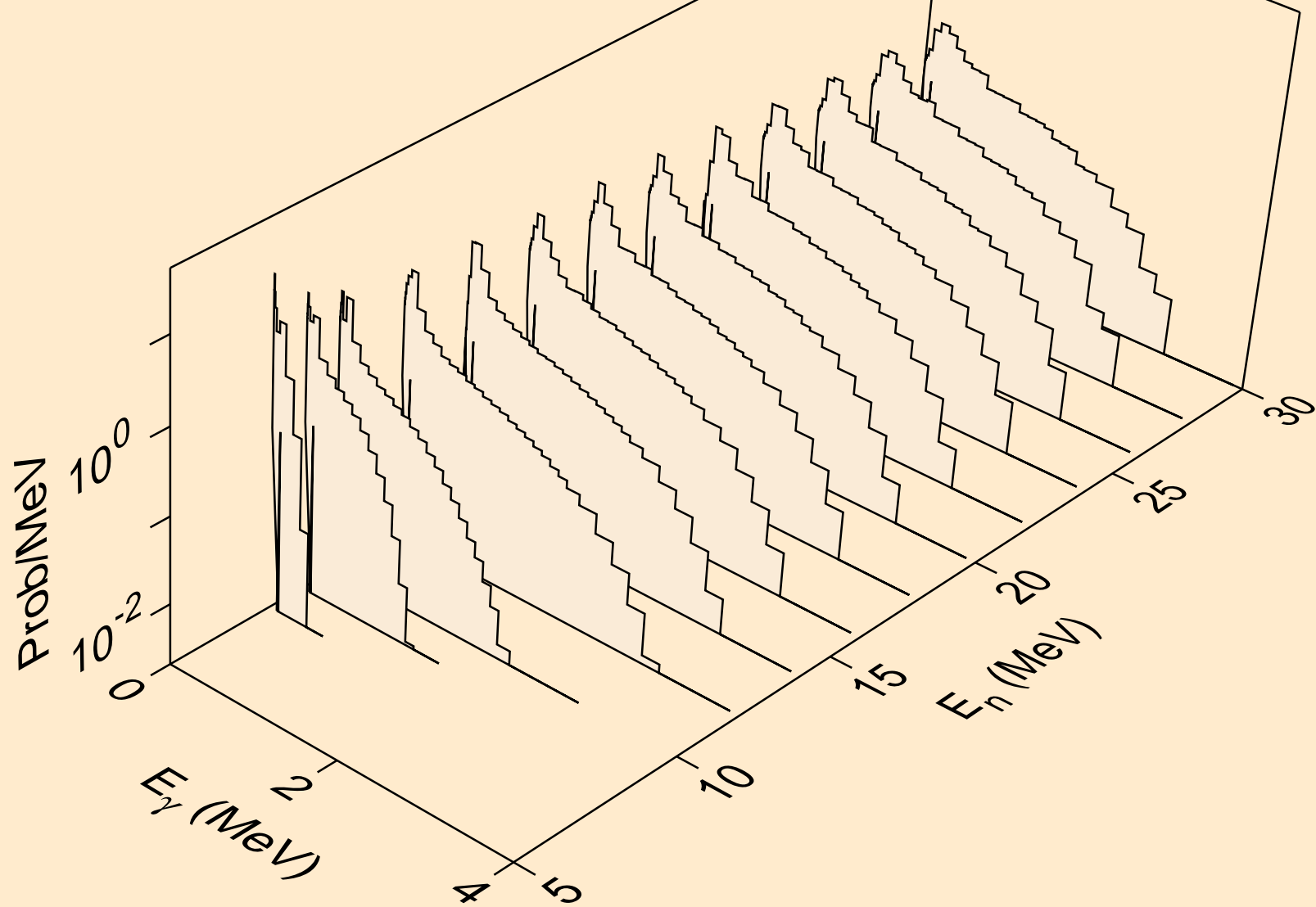
HS269 TRITON ACER TENDL-2021 LIBRARY; T=0.K
Photon emission for (z,n)



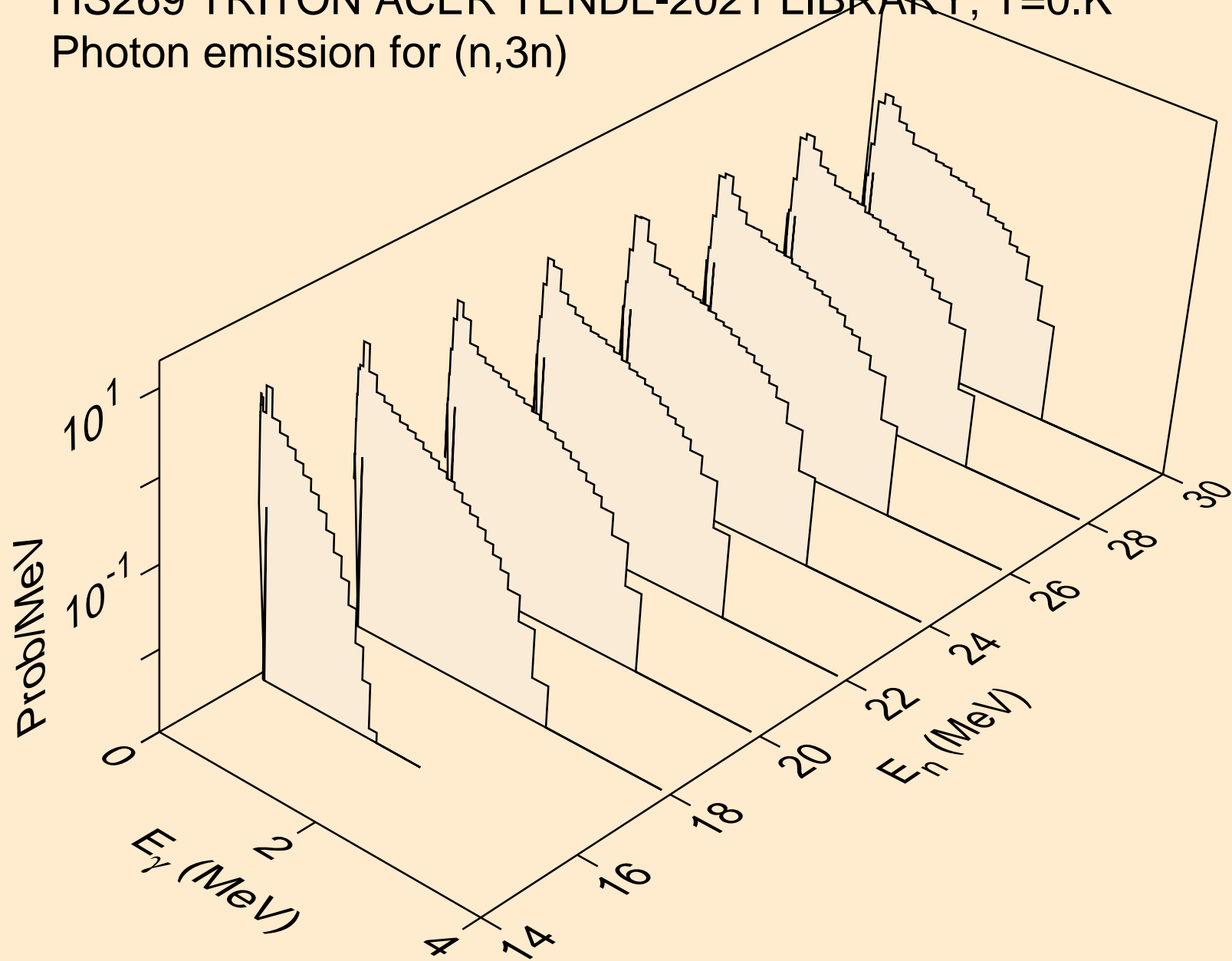
HS269 TRITON ACER TENDL-2021 LIBRARY; T=0.K
Photon emission for (n,x)



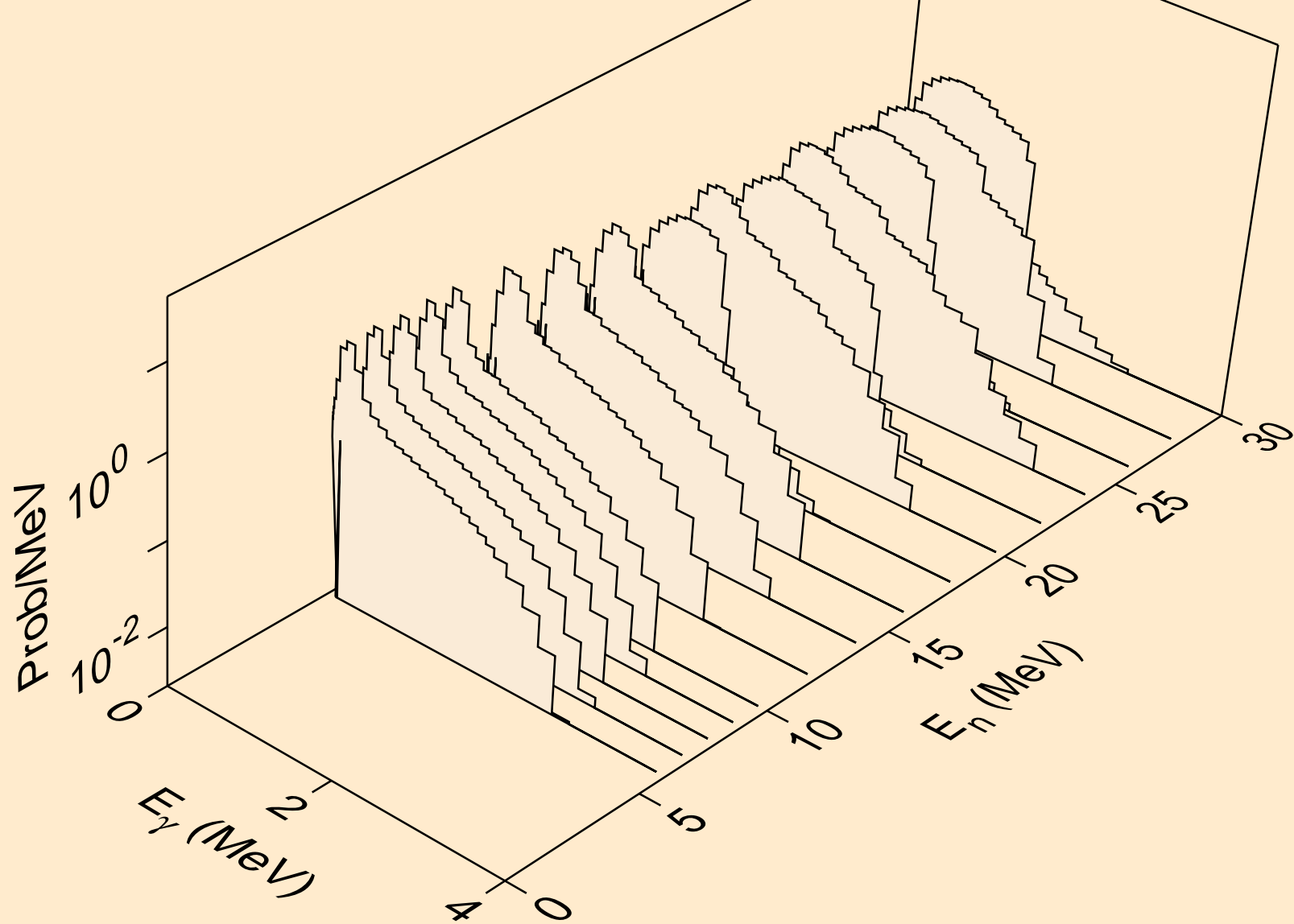
HS269 TRITON ACER TENDL-2021 LIBRARY; T=0.K
Photon emission for (n,2n)



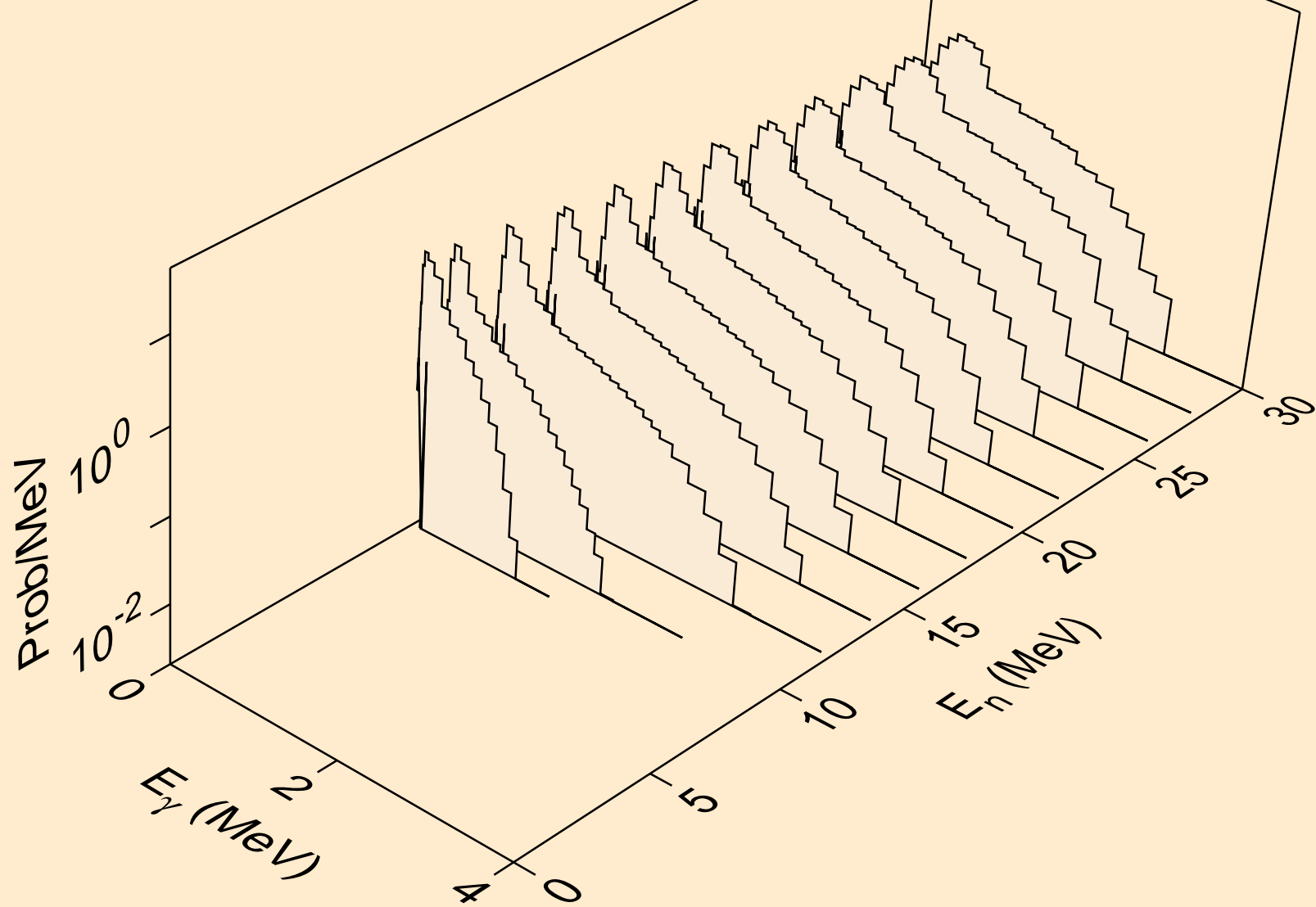
HS269 TRITON ACER TENDL-2021 LIBRARY; T=0.K
Photon emission for (n,3n)



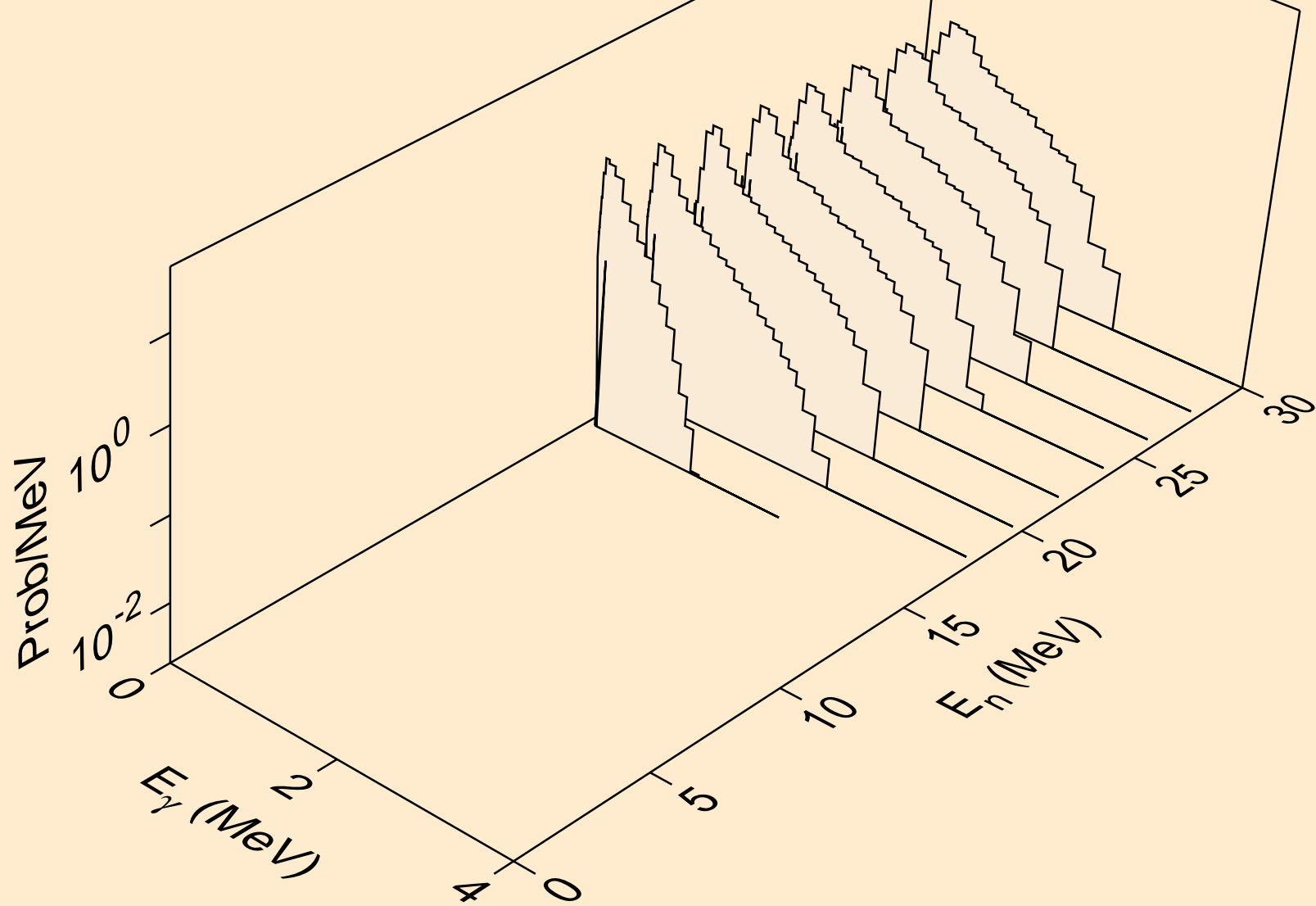
HS269 TRITON ACER TENDL-2021 LIBRARY; T=0.K
Photon emission for (n,n*)a



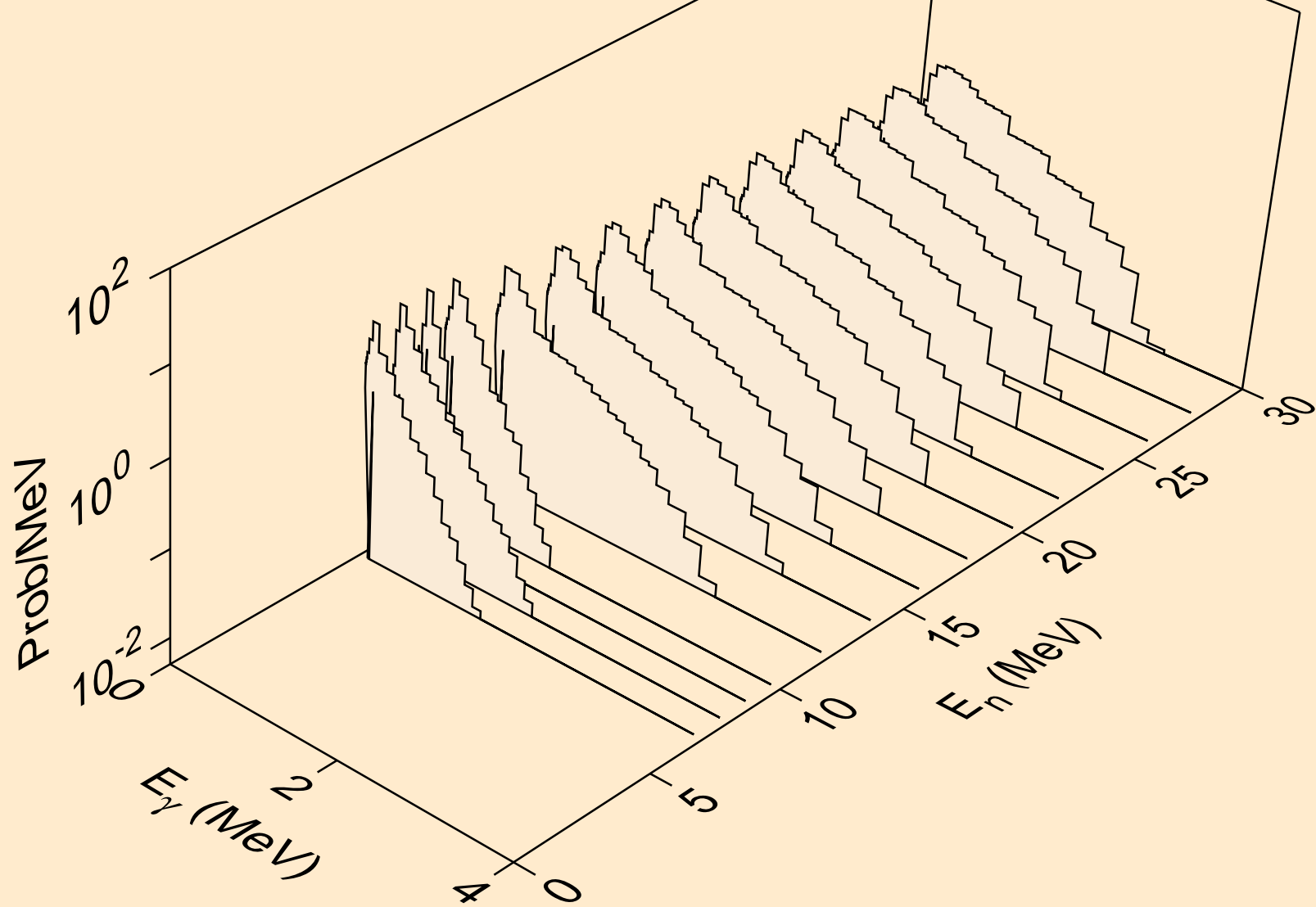
HS269 TRITON ACER TENDL-2021 LIBRARY; T=0.K
Photon emission for (n,2n)a



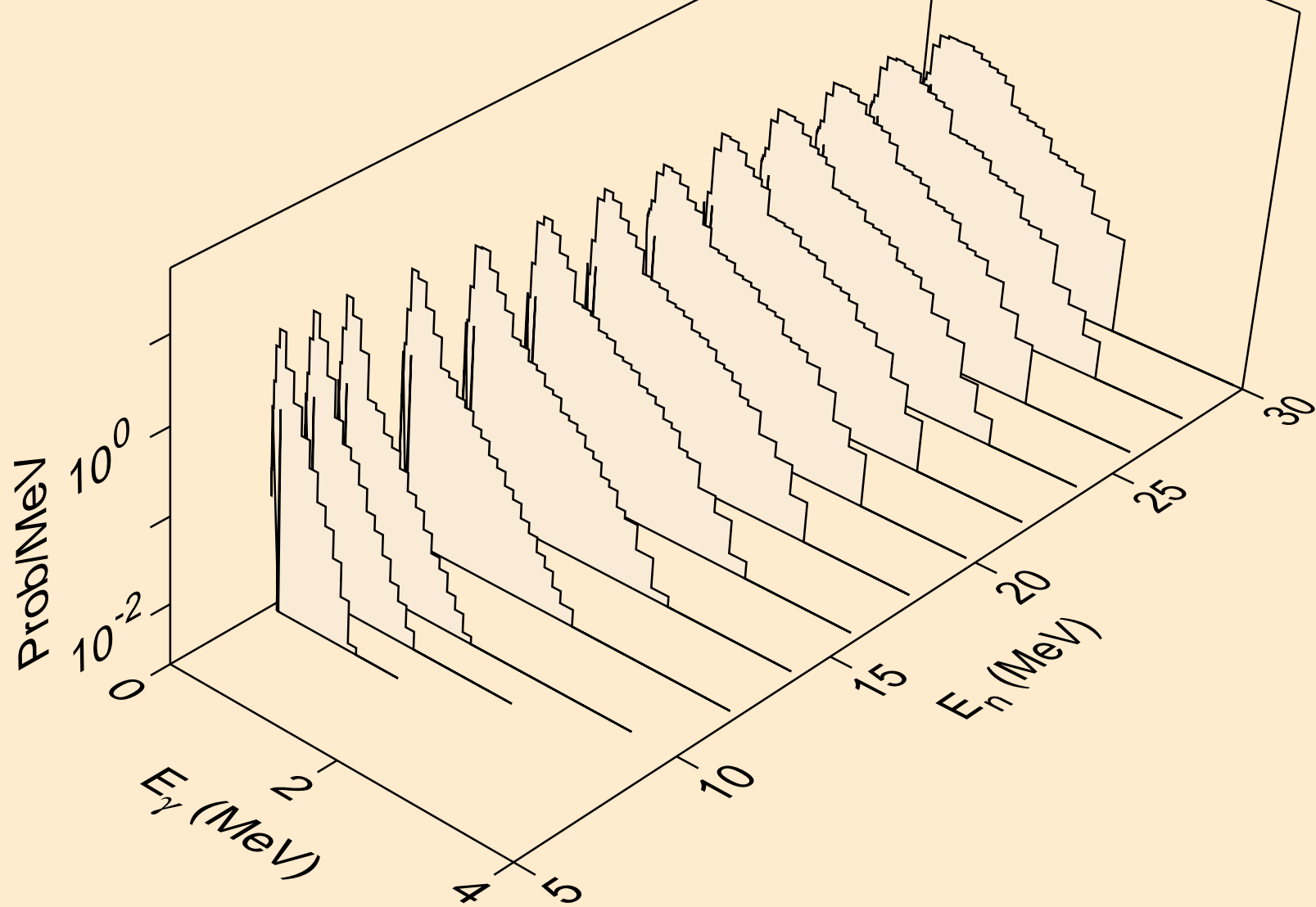
HS269 TRITON ACER TENDL-2021 LIBRARY; T=0.K
Photon emission for (n,3n)a



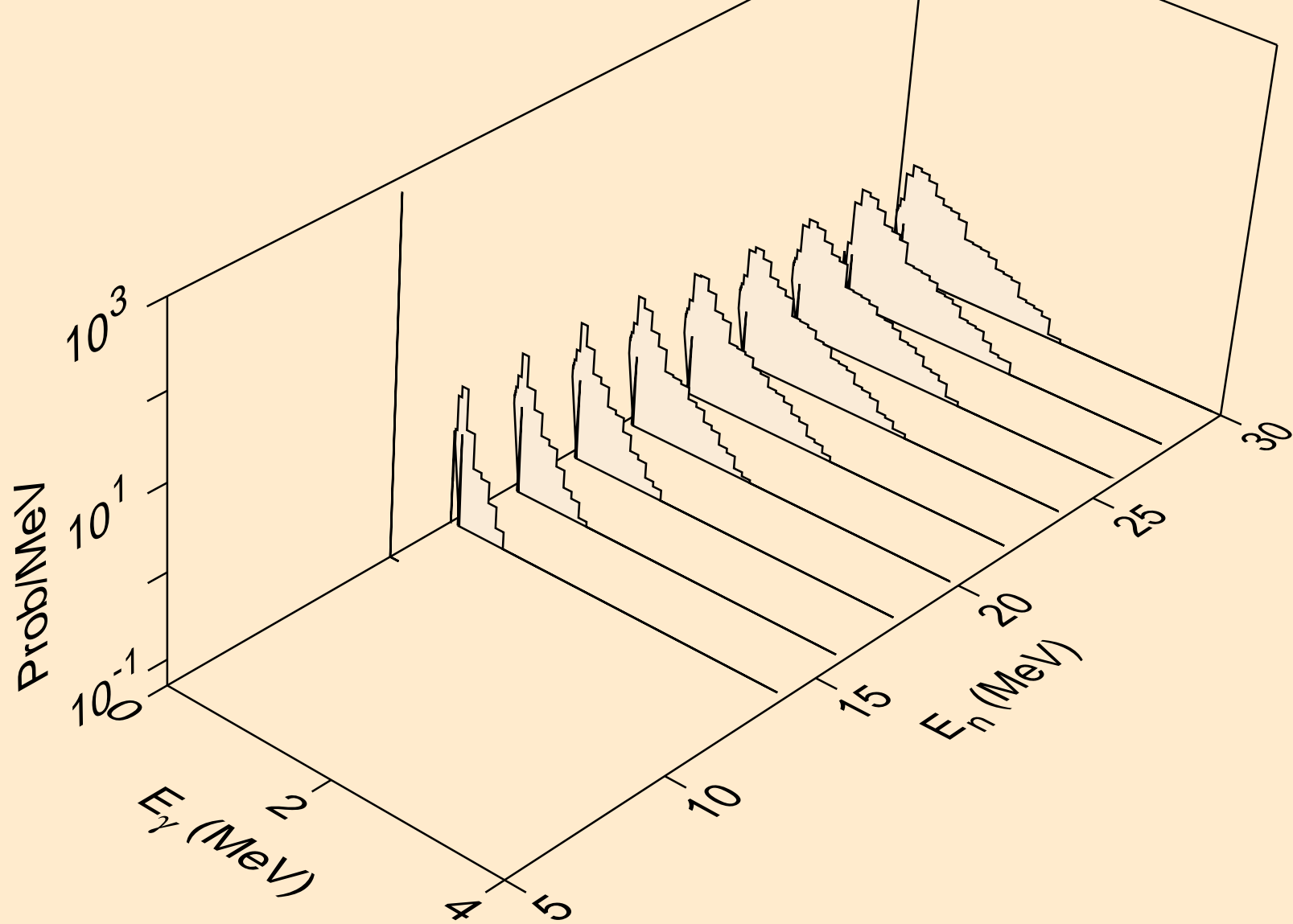
HS269 TRITON ACER TENDL-2021 LIBRARY; T=0.K
Photon emission for (n,n*)p



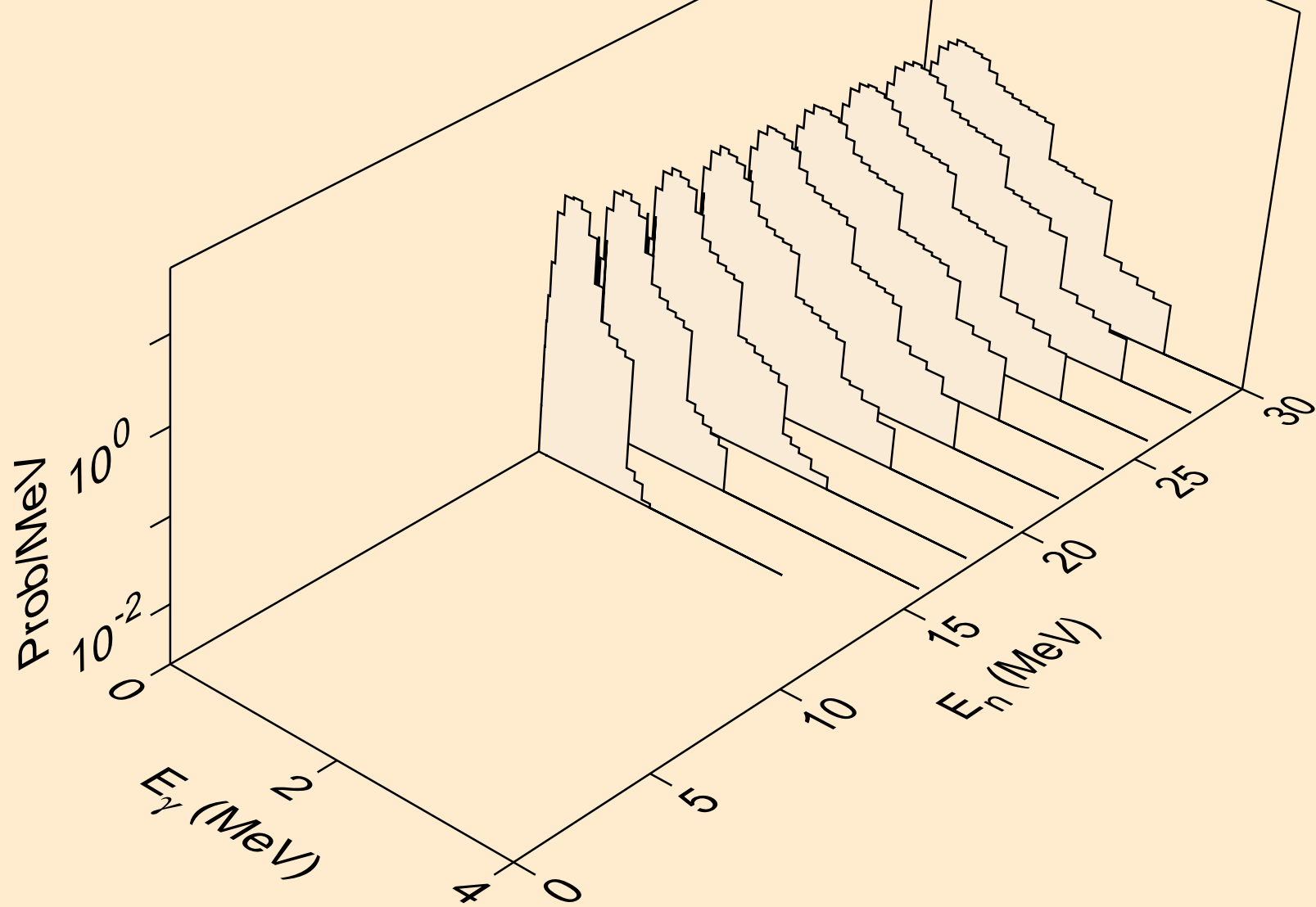
HS269 TRITON ACER TENDL-2021 LIBRARY; T=0.K
Photon emission for (n,n*)d



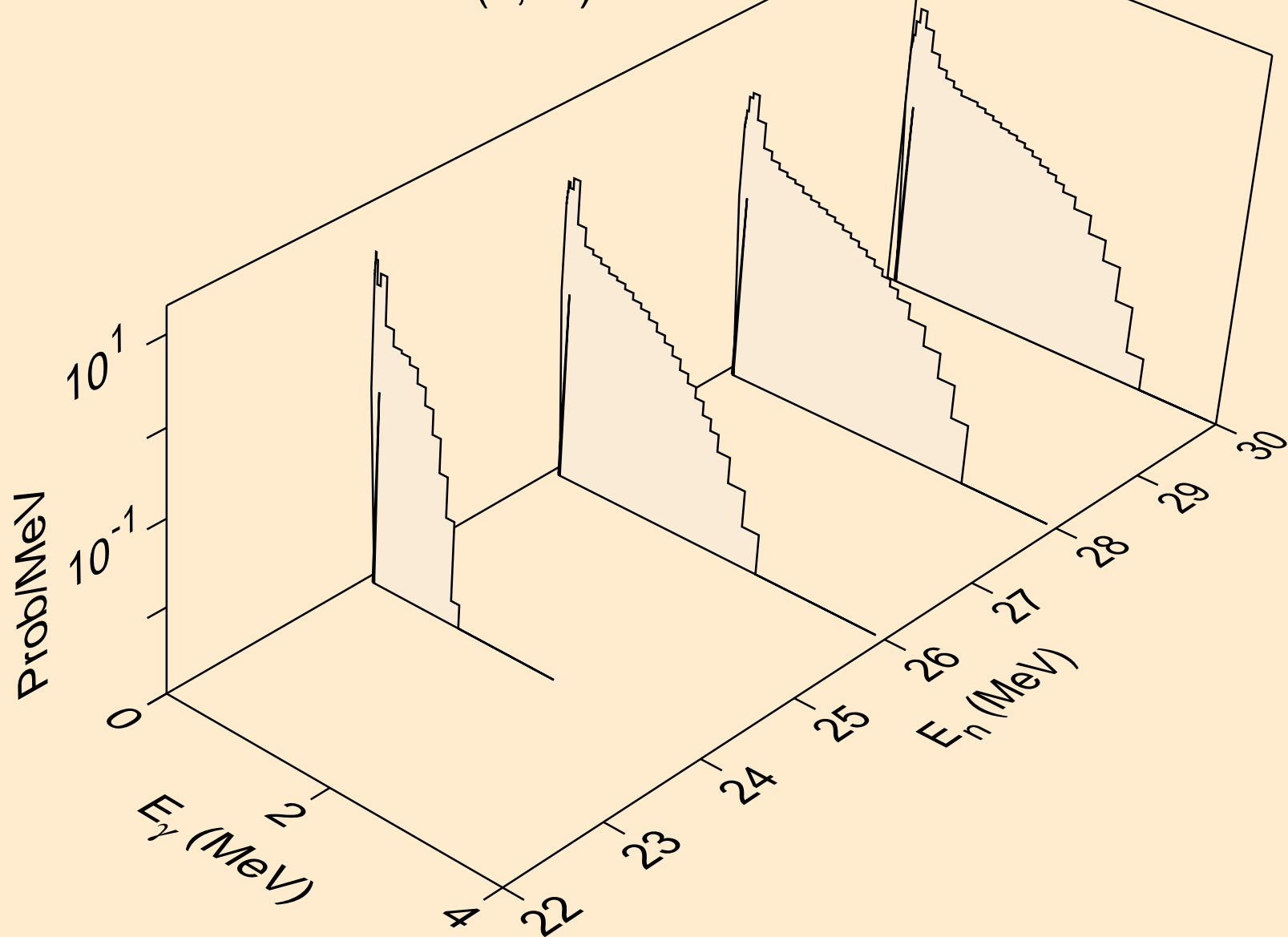
HS269 TRITON ACER TENDL-2021 LIBRARY; T=0.K
Photon emission for (n,n*)t



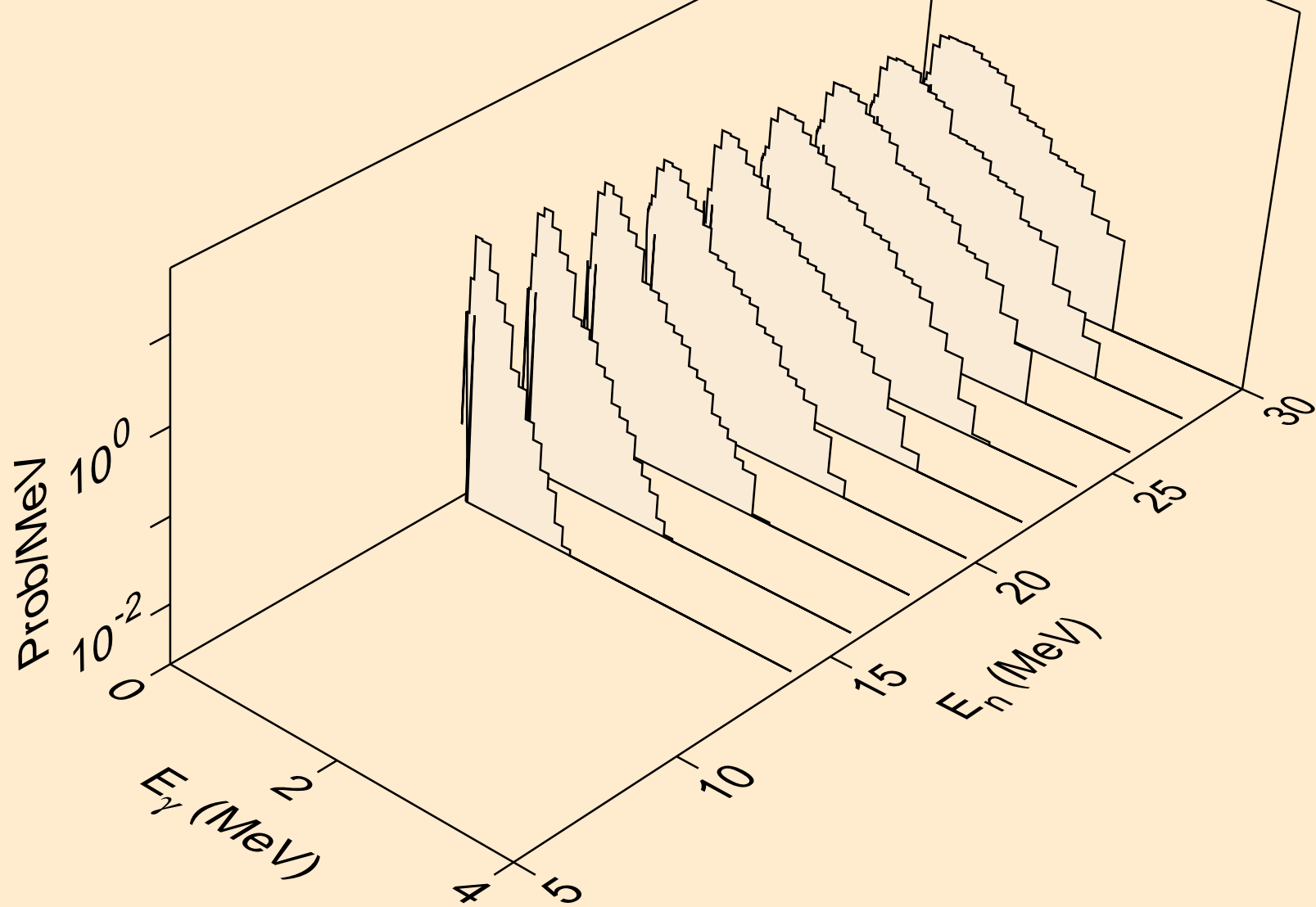
HS269 TRITON ACER TENDL-2021 LIBRARY; T=0.K
Photon emission for (n,n*)he3



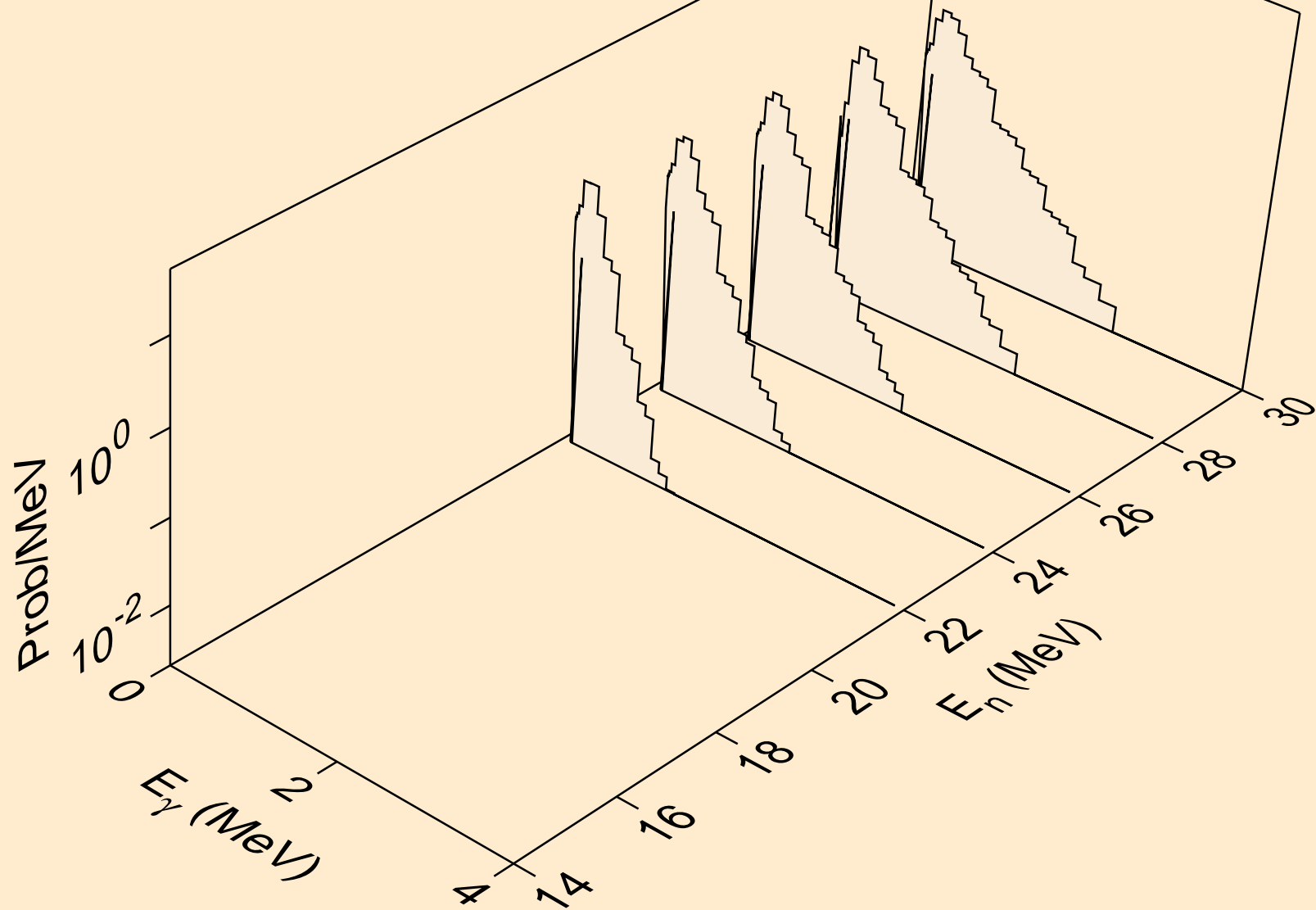
HS269 TRITON ACER TENDL-2021 LIBRARY; T=0.K
Photon emission for (n,4n)



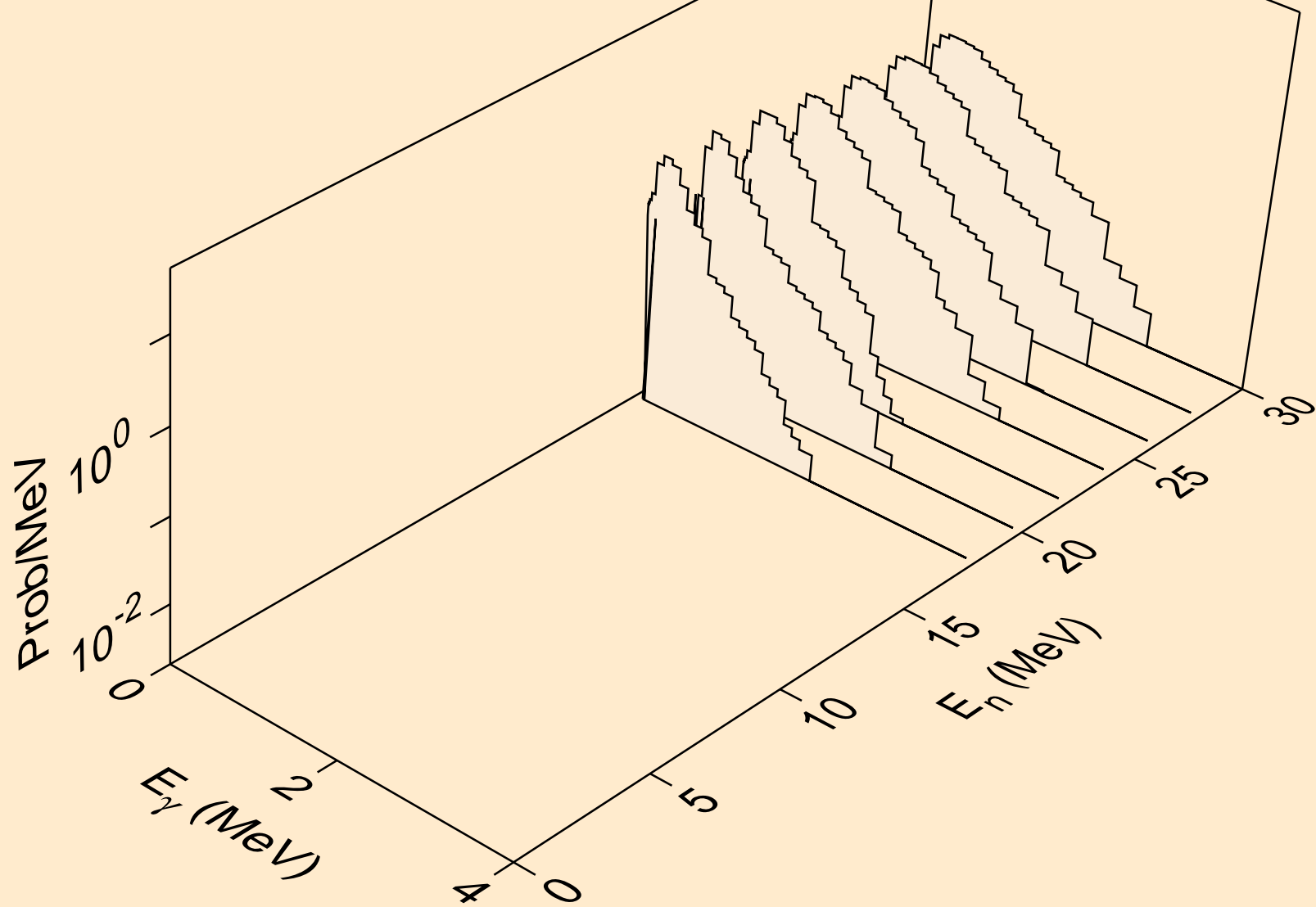
HS269 TRITON ACER TENDL-2021 LIBRARY; T=0.K
Photon emission for (n,2np)



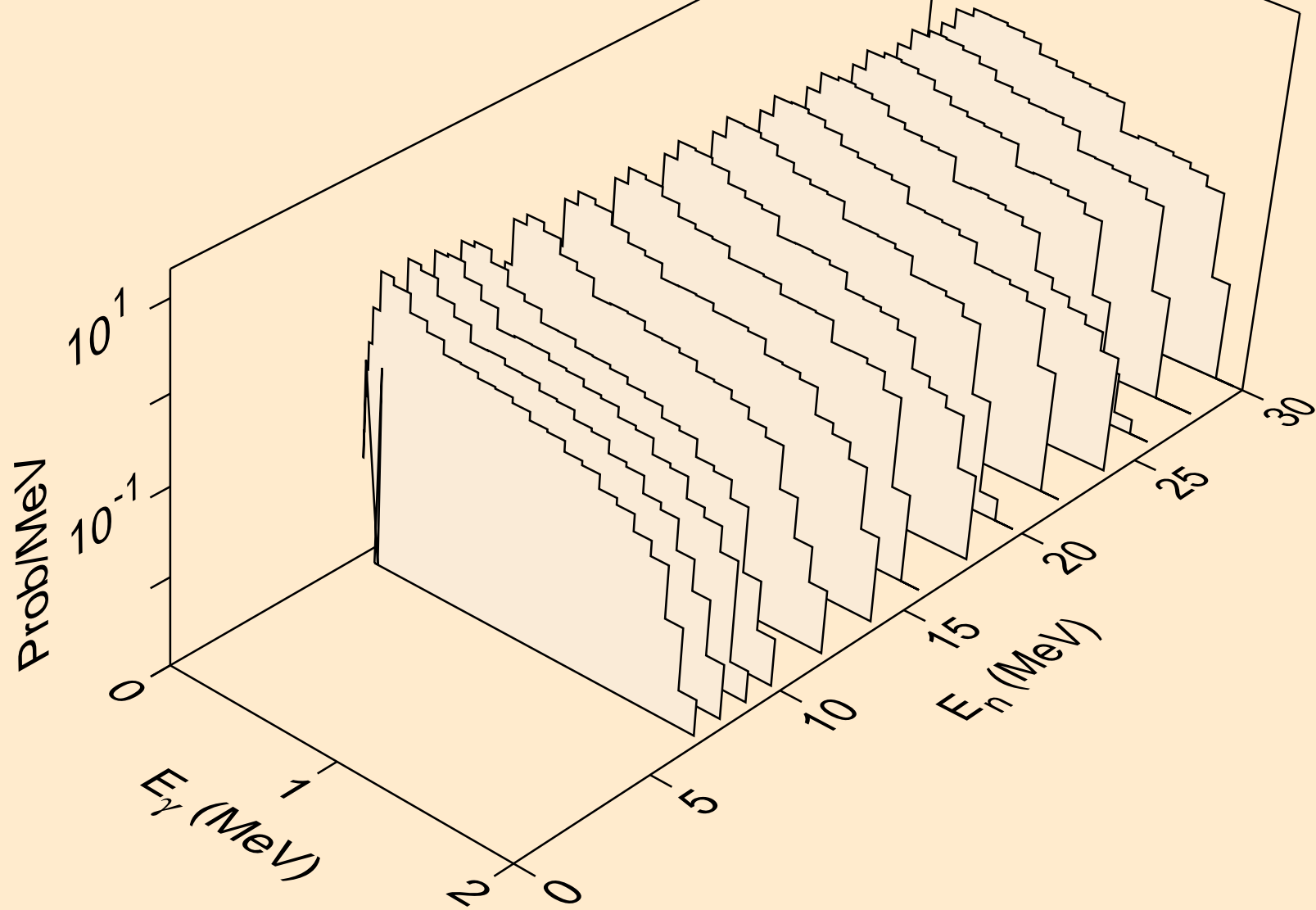
HS269 TRITON ACER TENDL-2021 LIBRARY; T=0.K
Photon emission for (n,3np)



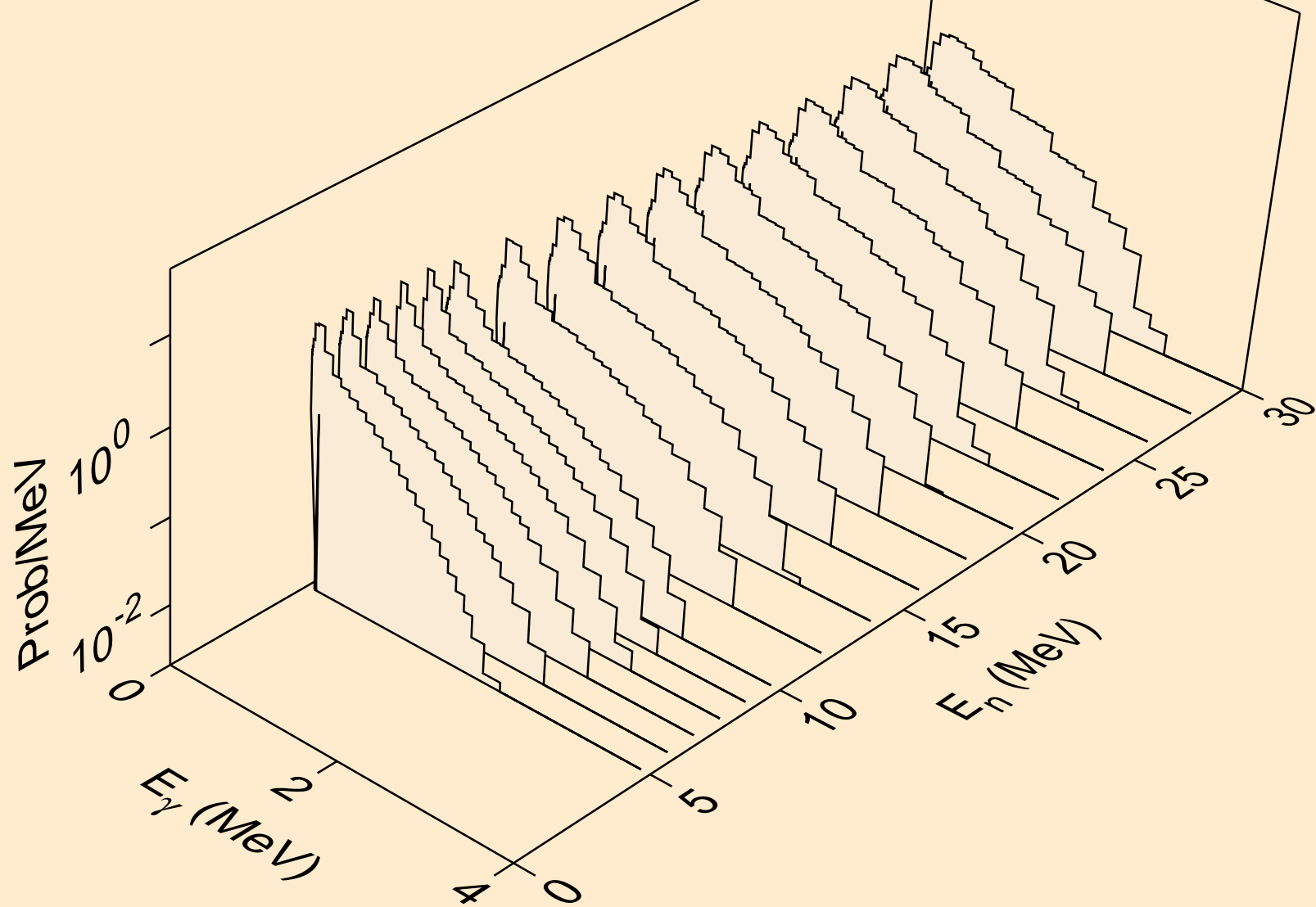
HS269 TRITON ACER TENDL-2021 LIBRARY; T=0.K
Photon emission for (n,2np)



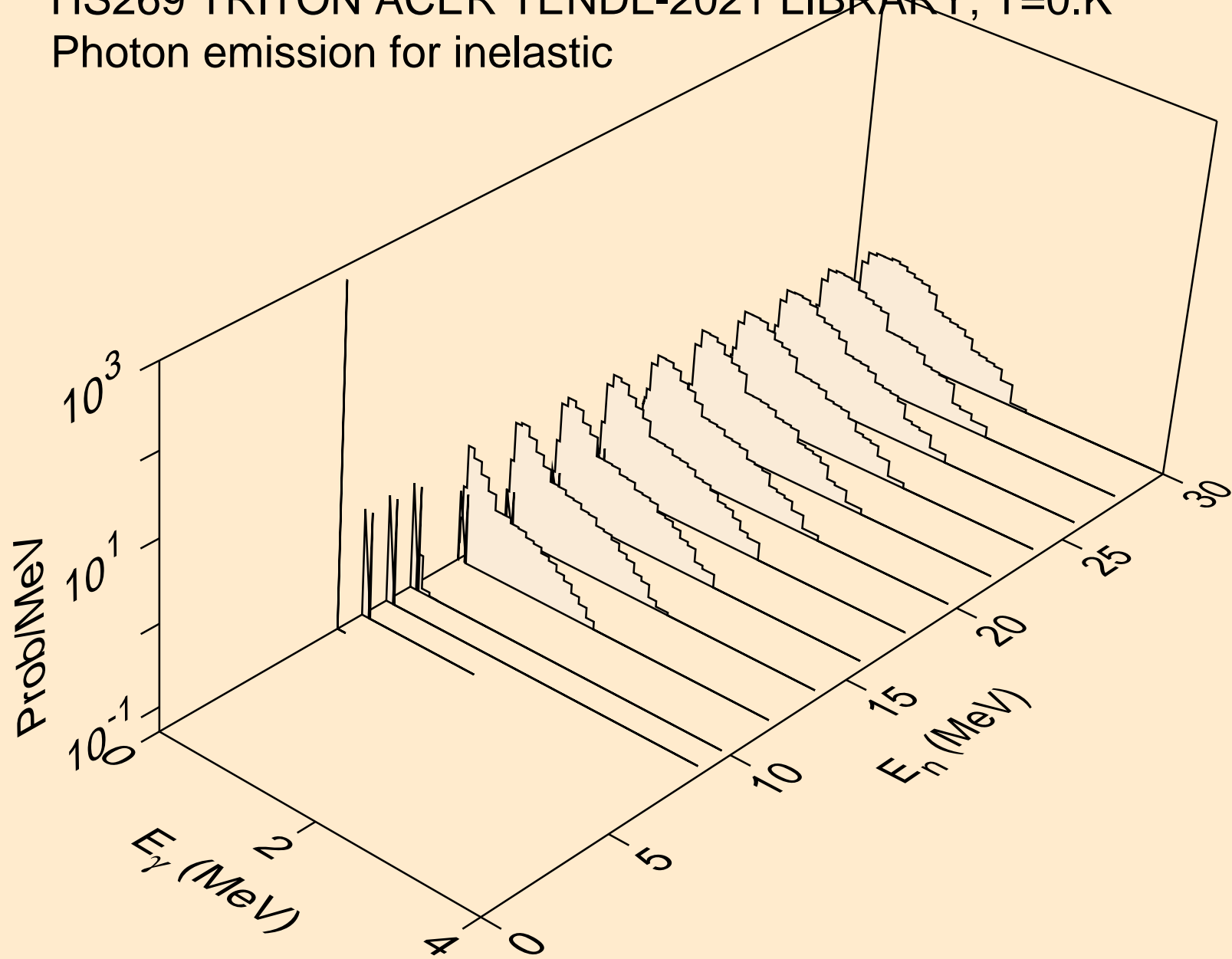
HS269 TRITON ACER TENDL-2021 LIBRARY; T=0.K
Photon emission for (n,p)



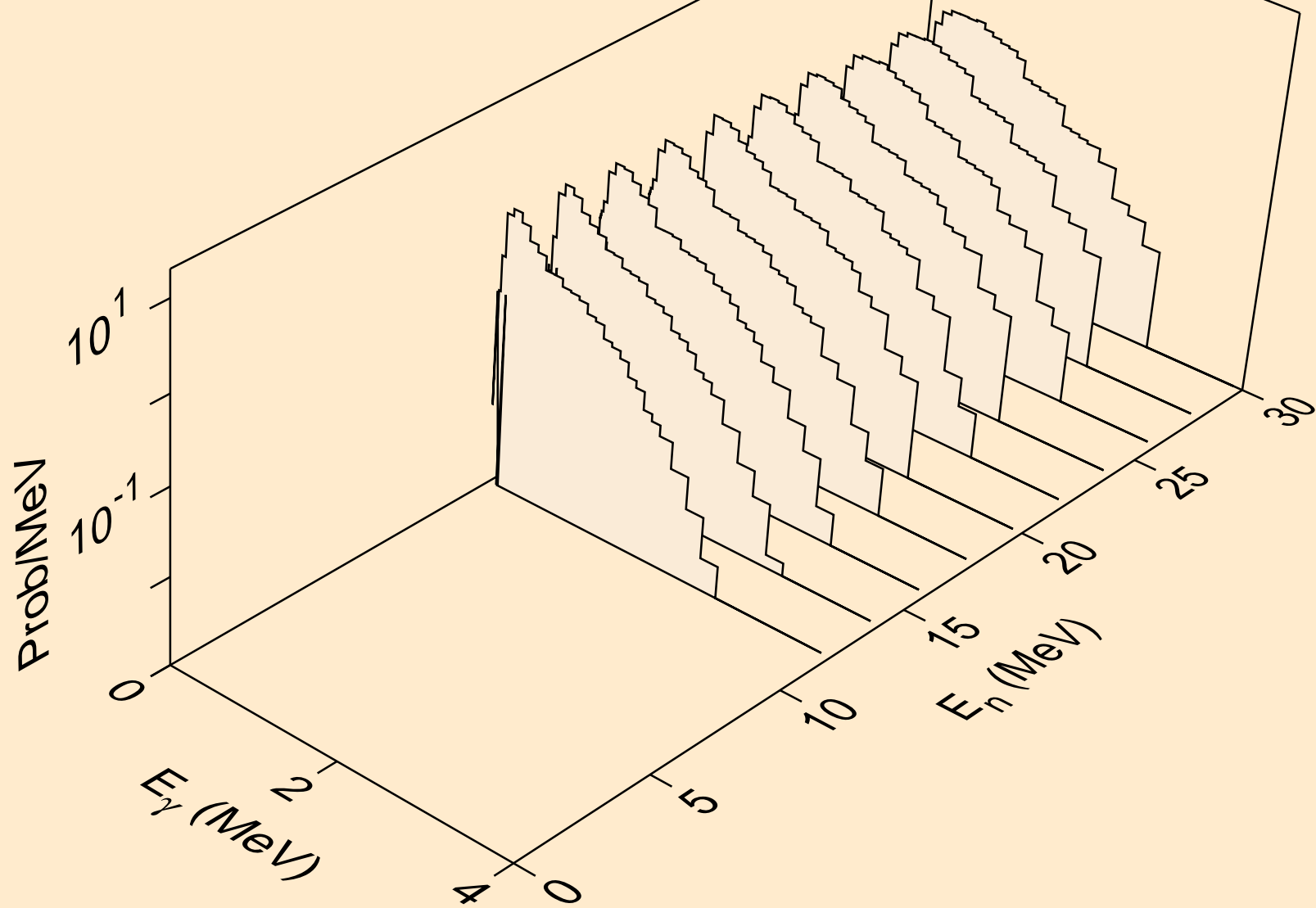
HS269 TRITON ACER TENDL-2021 LIBRARY; T=0.K
Photon emission for (n,d)



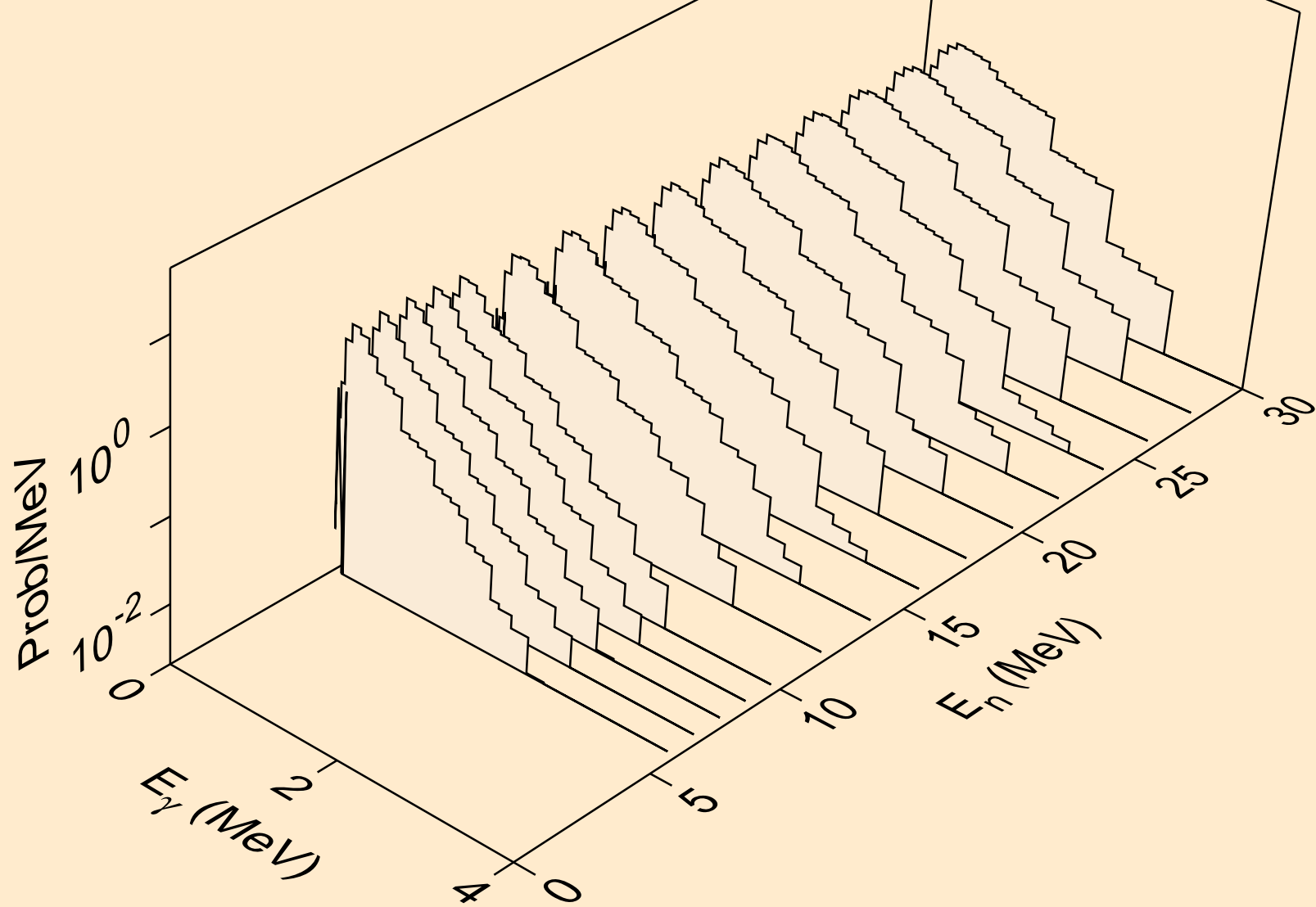
HS269 TRITON ACER TENDL-2021 LIBRARY; T=0.K
Photon emission for inelastic



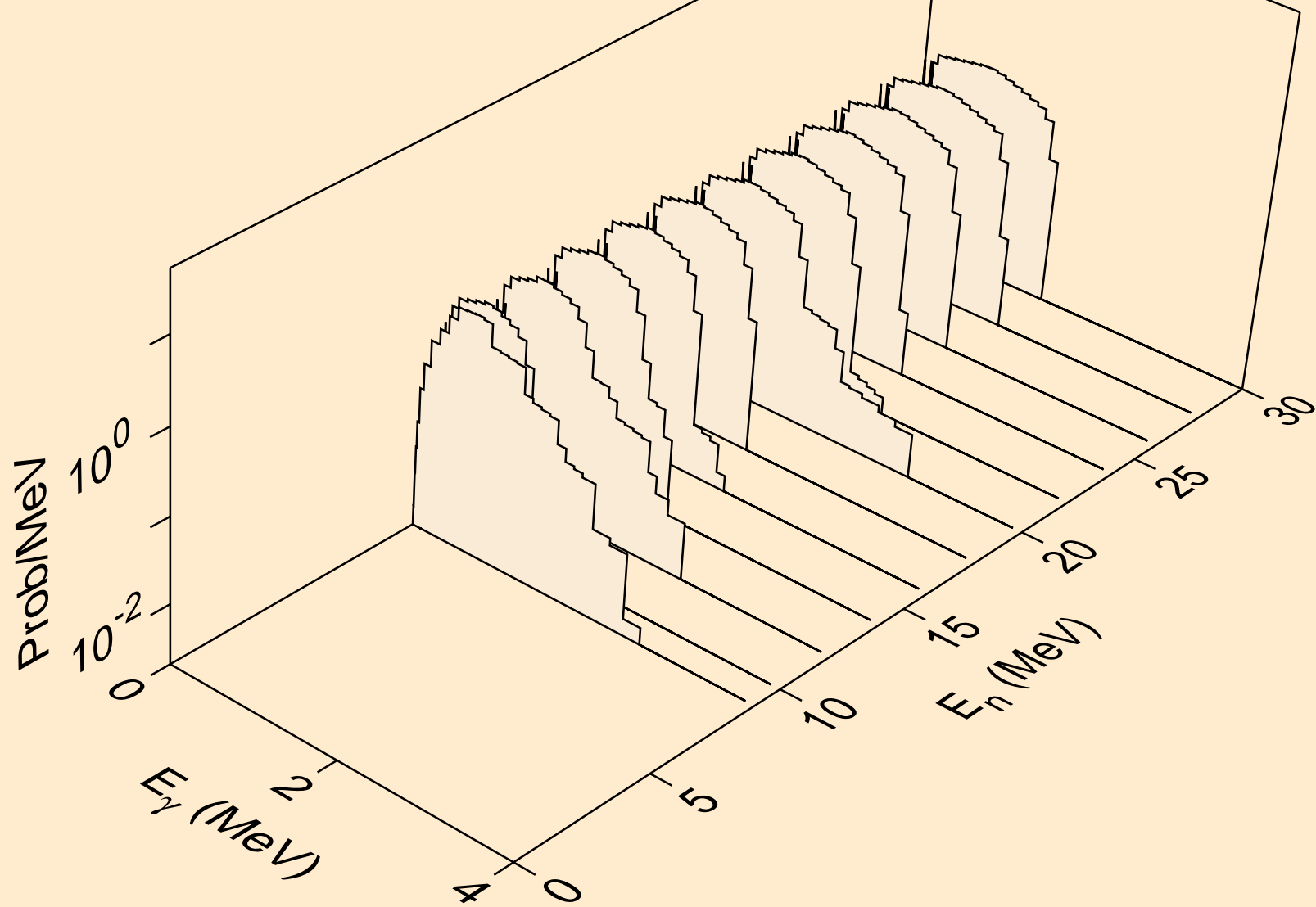
HS269 TRITON ACER TENDL-2021 LIBRARY; T=0.K
Photon emission for (n,he3)



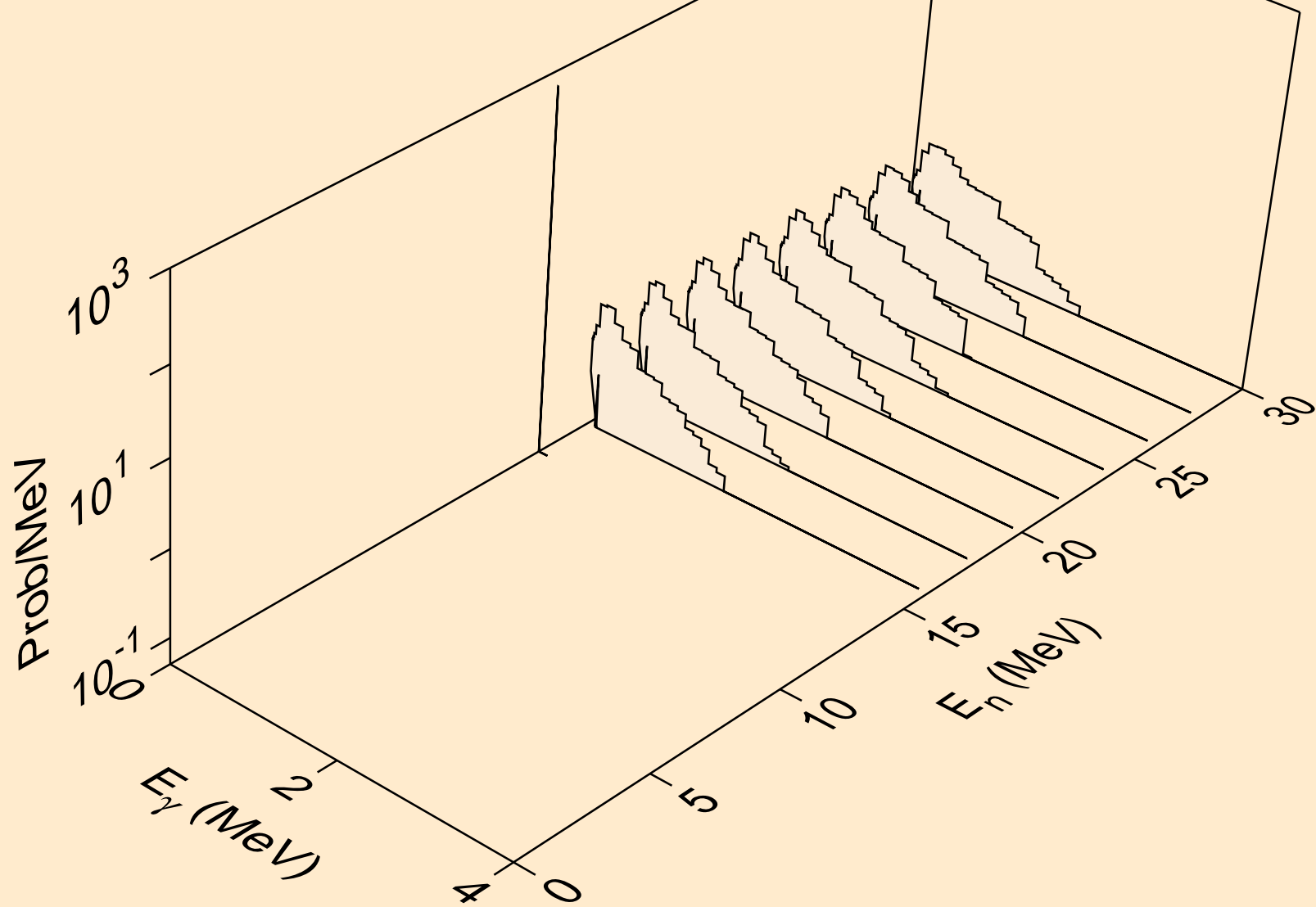
HS269 TRITON ACER TENDL-2021 LIBRARY; T=0.K
Photon emission for (n,a)



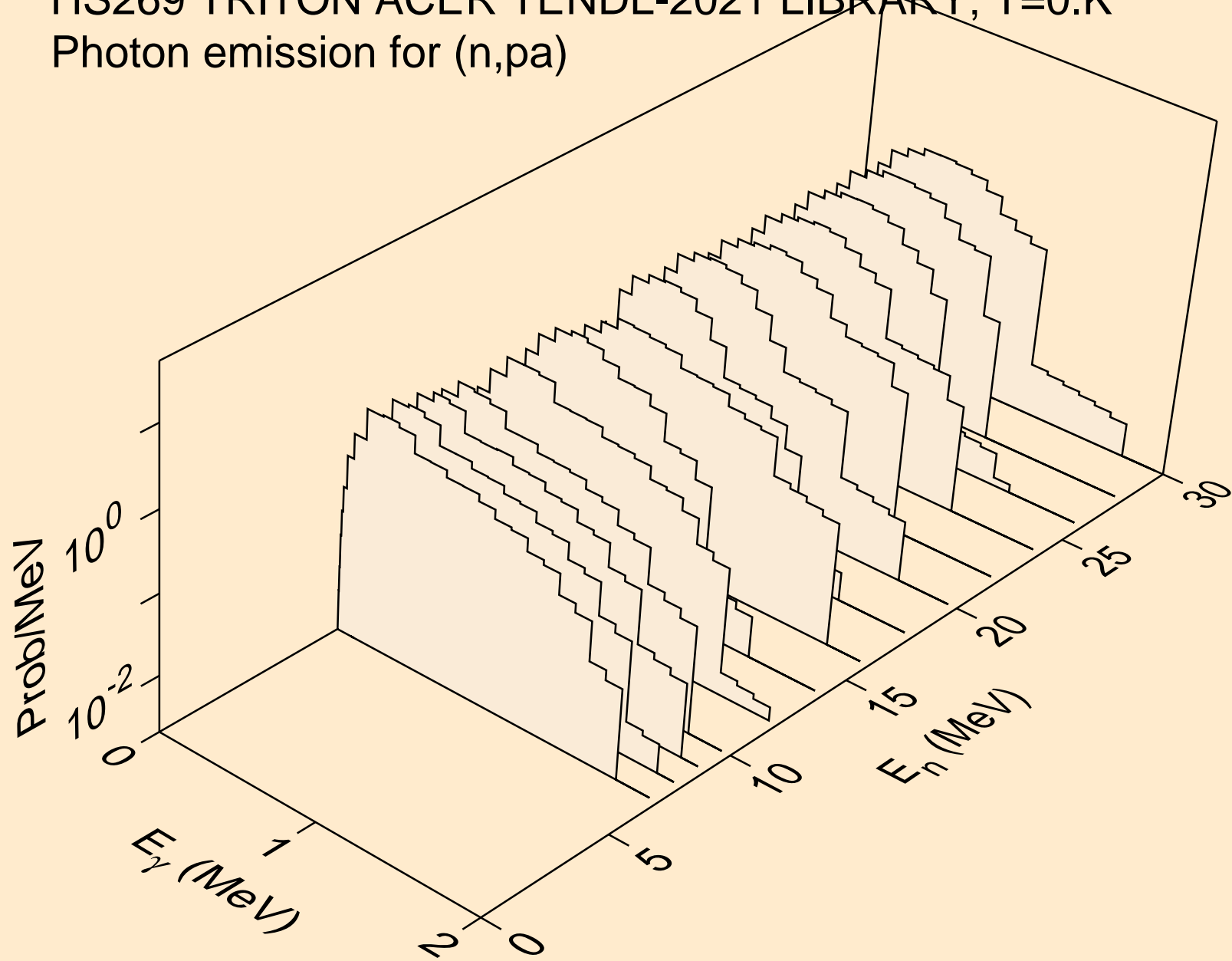
HS269 TRITON ACER TENDL-2021 LIBRARY; T=0.K
Photon emission for (n,2a)



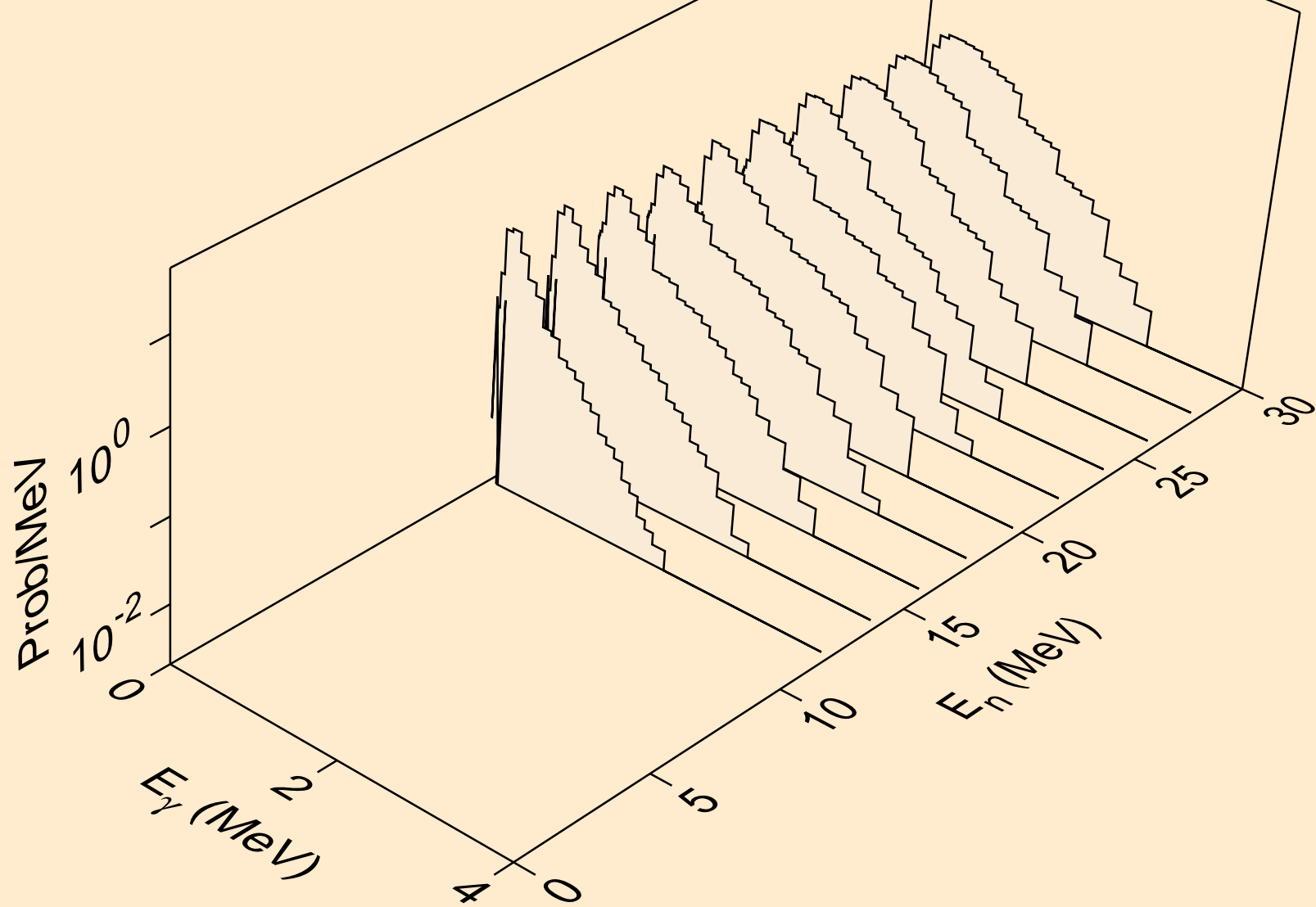
HS269 TRITON ACER TENDL-2021 LIBRARY; T=0.K
Photon emission for (n,2p)



HS269 TRITON ACER TENDL-2021 LIBRARY; T=0.K
Photon emission for (n,pa)

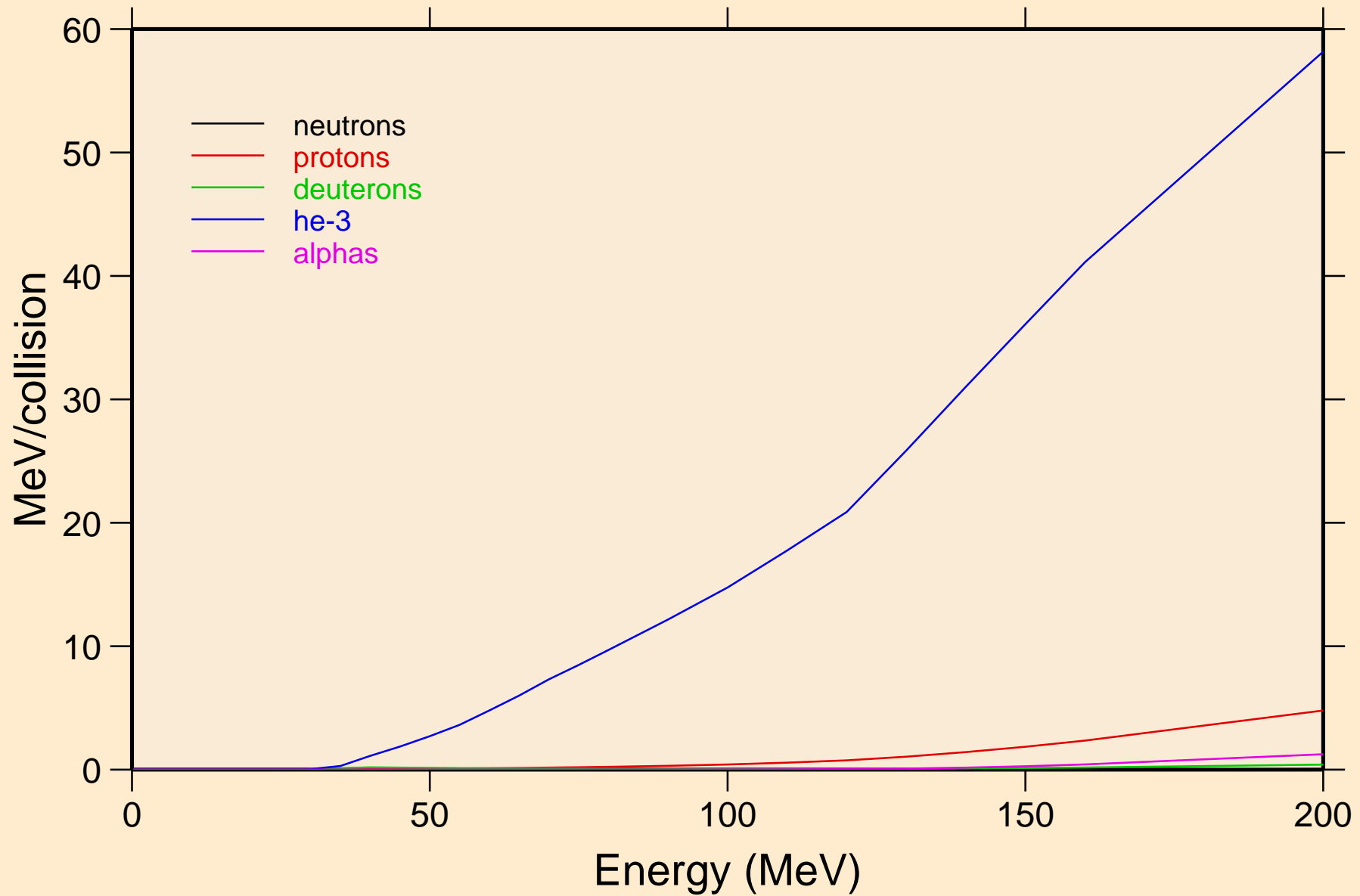


HS269 TRITON ACER TENDL-2021 LIBRARY; T=0.K
Photon emission for (n,pd)

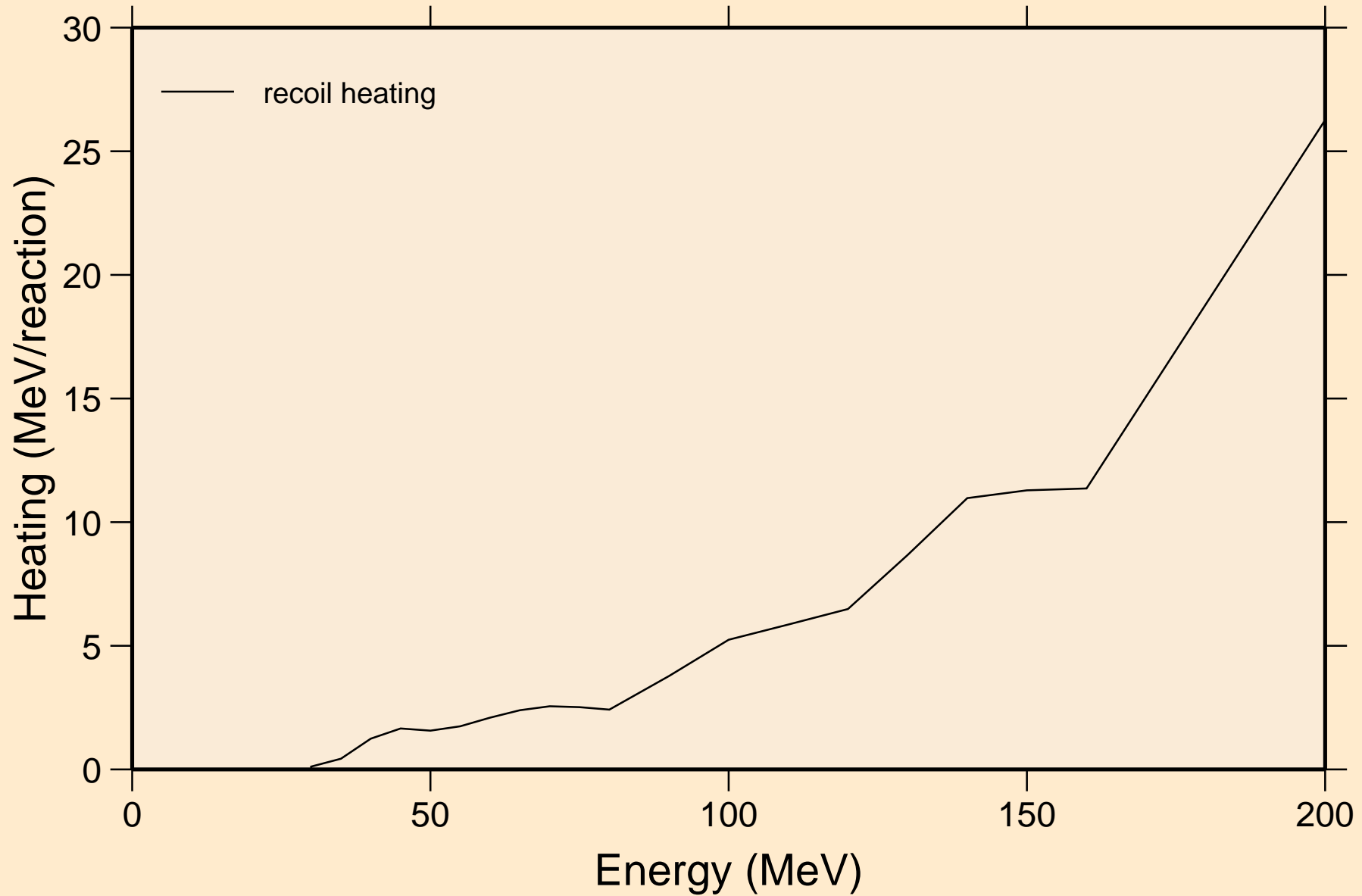


HS269 TRITON ACER TENDL-2021 LIBRARY; T=0.K

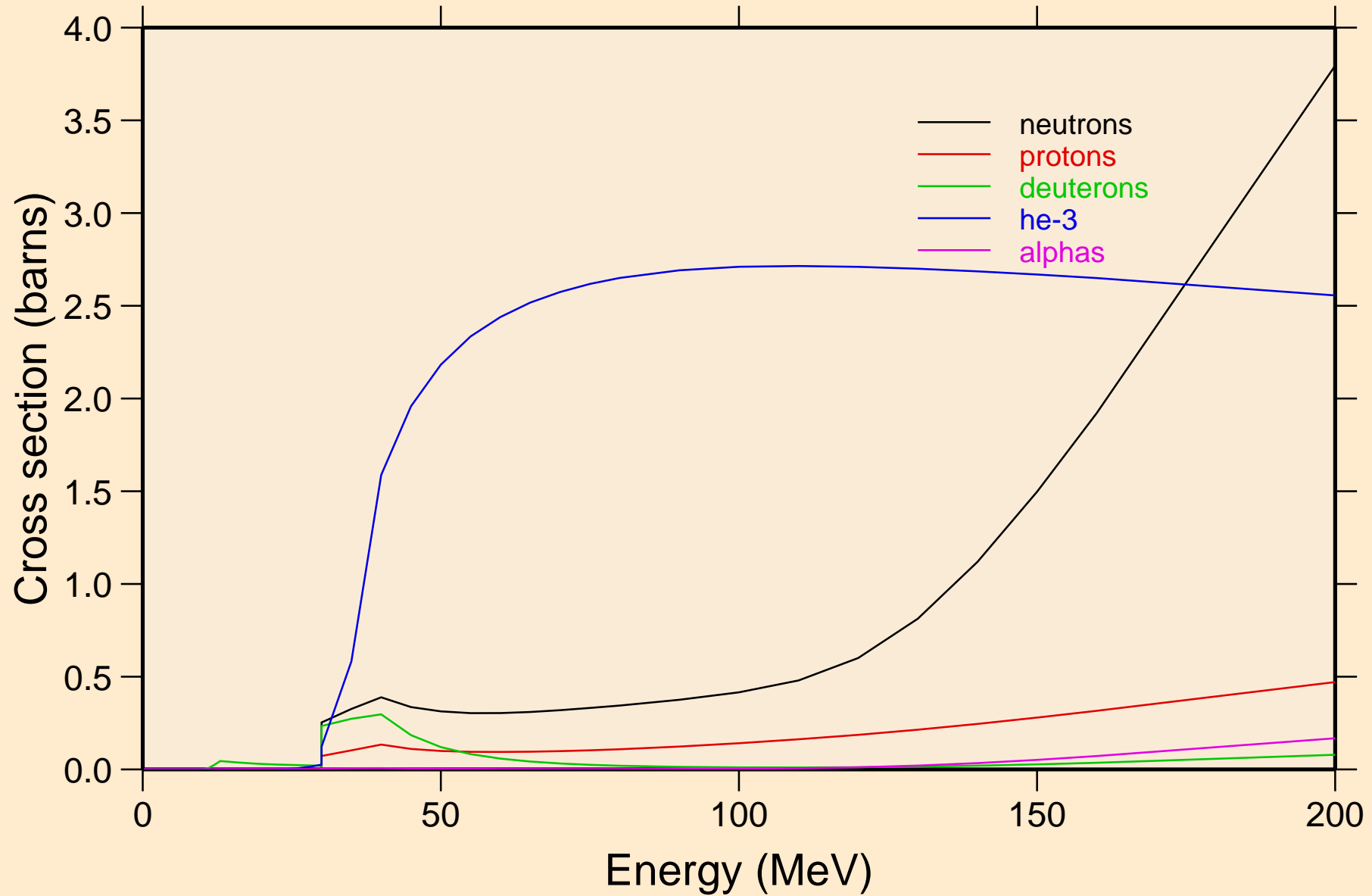
Particle heating contributions



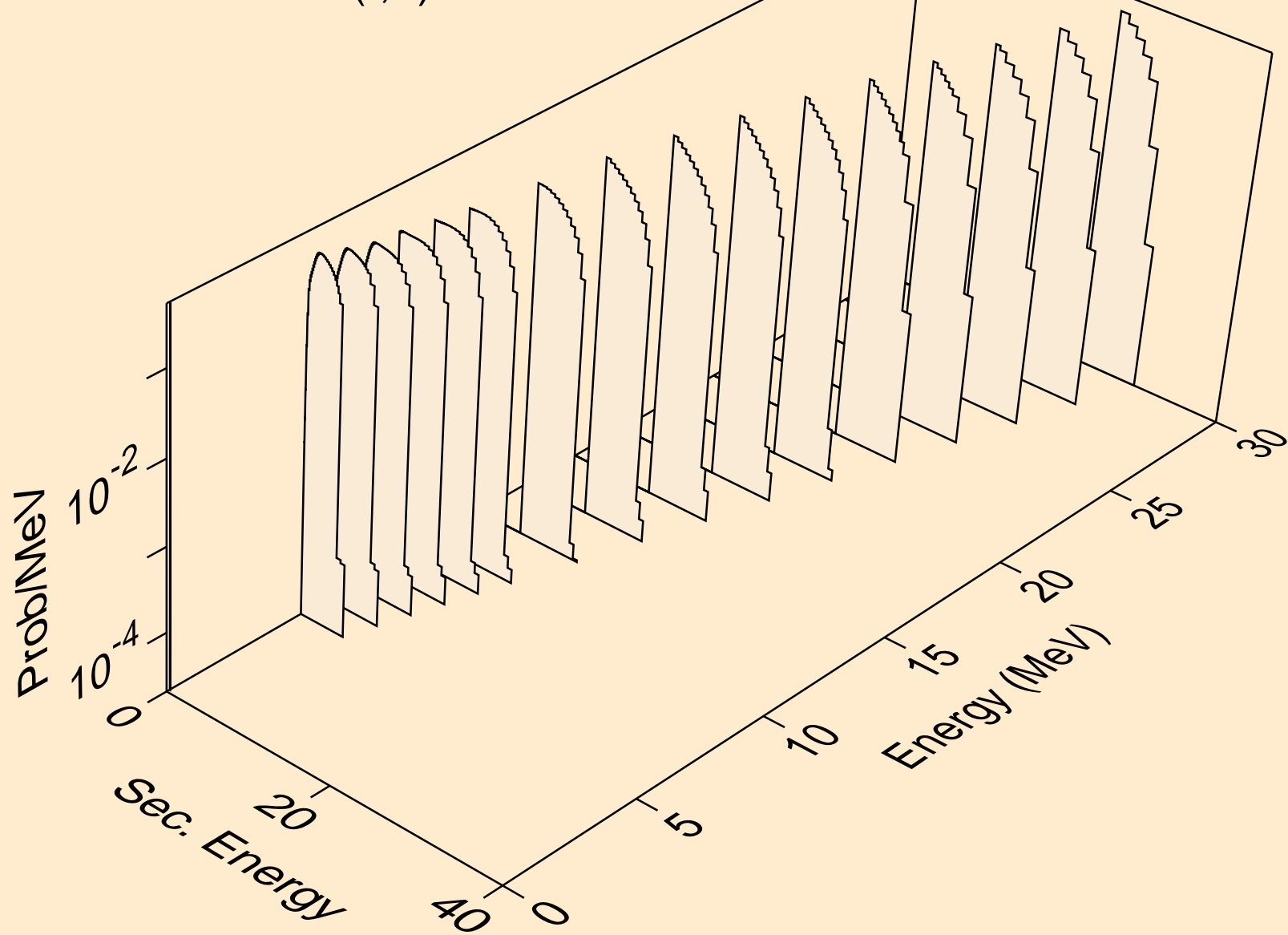
HS269 TRITON ACER TENDL-2021 LIBRARY; T=0.K
Recoil Heating



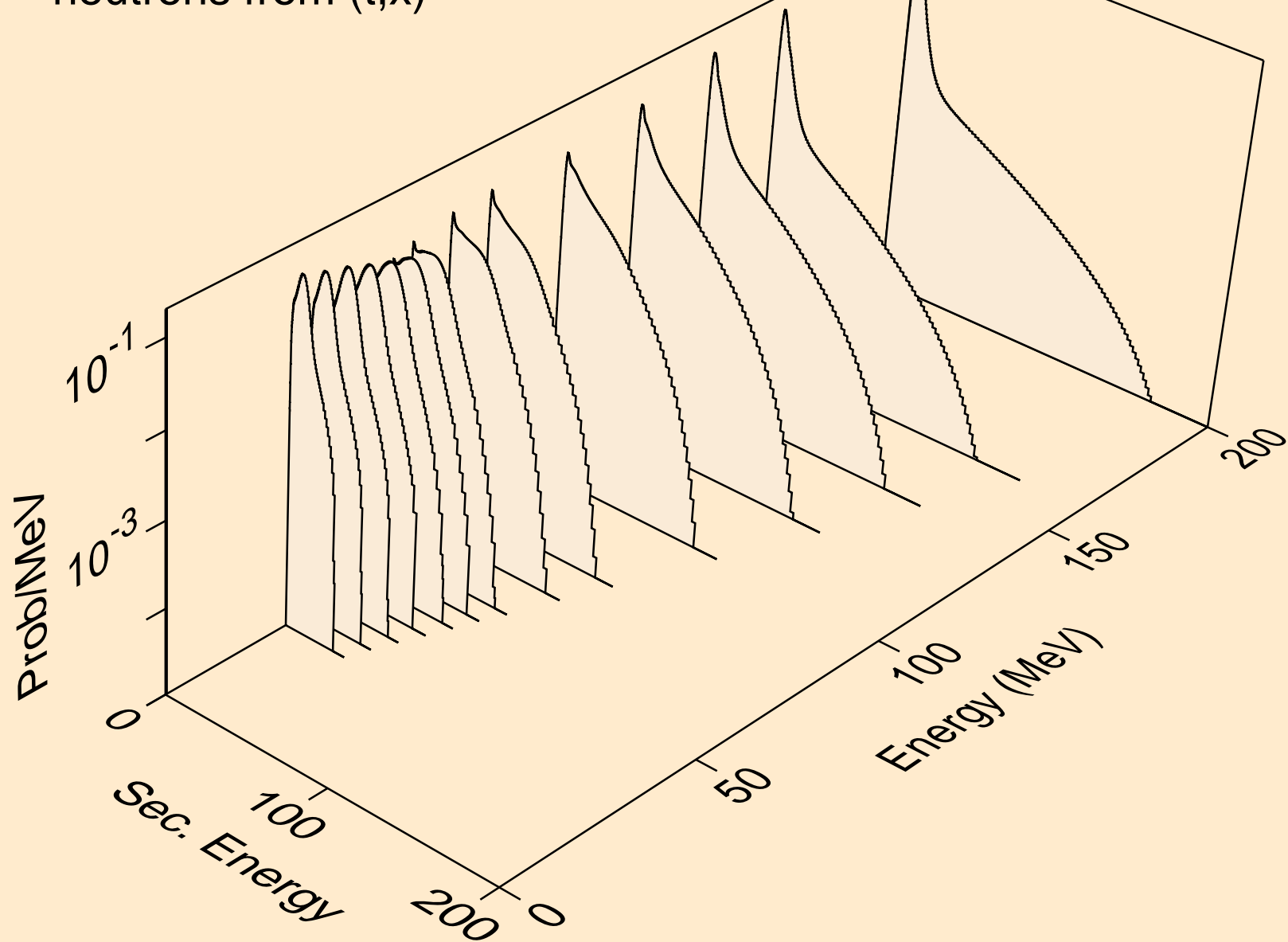
HS269 TRITON ACER TENDL-2021 LIBRARY; T=0.K
Particle production cross sections



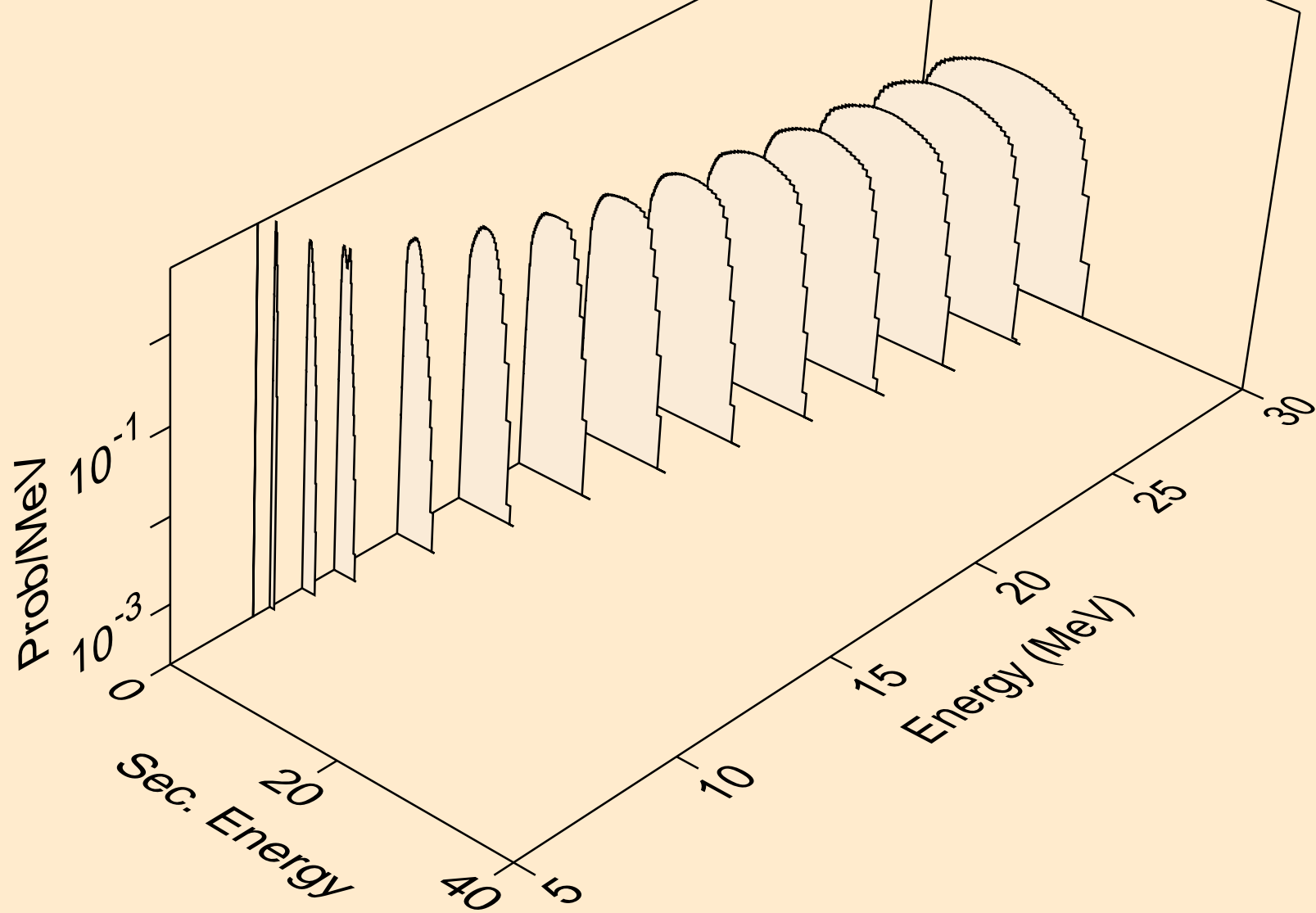
HS269 TRITON ACER TENDL-2021 LIBRARY; T=0.K
neutrons from (t,n)



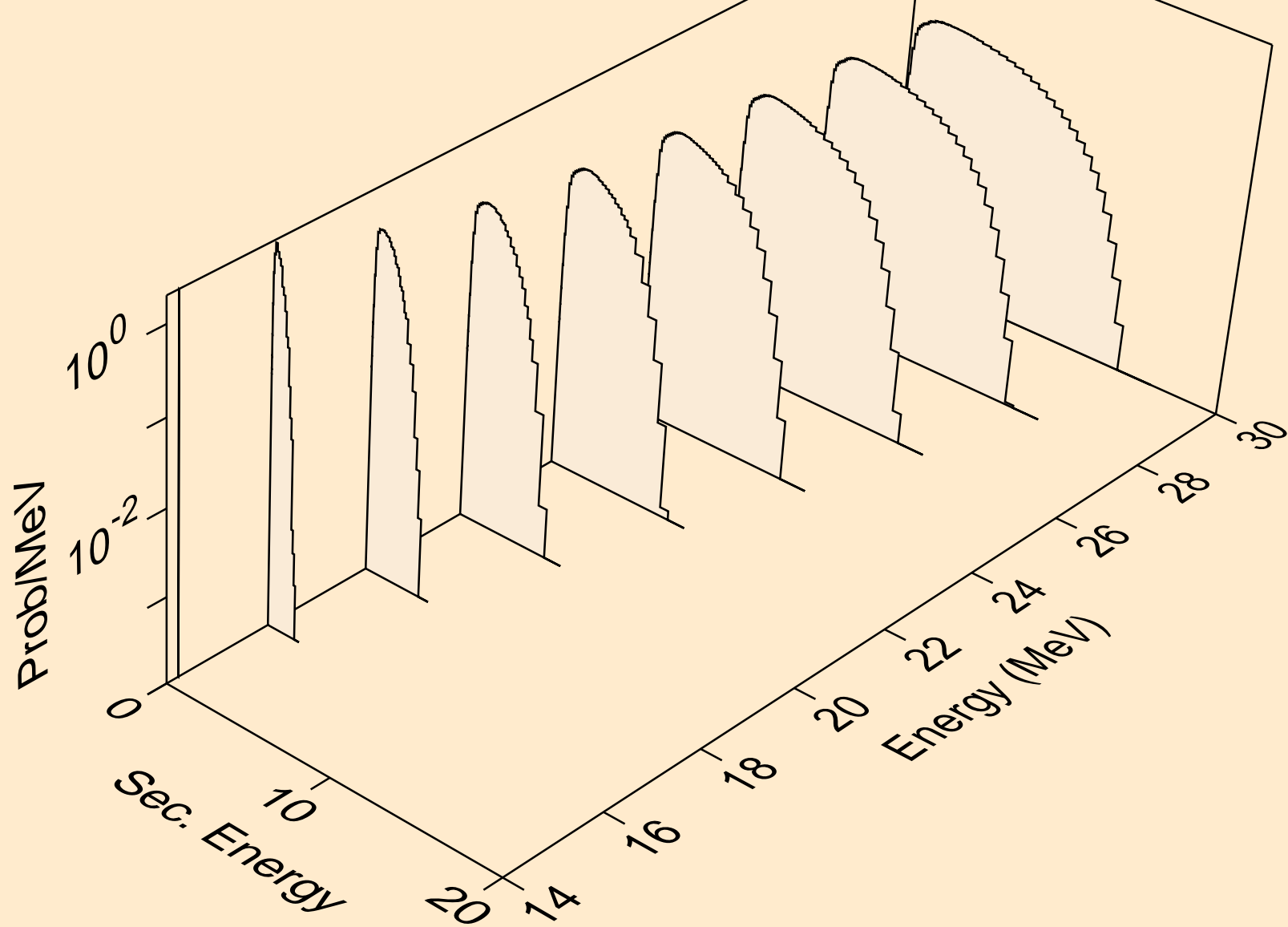
HS269 TRITON ACER TENDL-2021 LIBRARY; T=0.K
neutrons from (t,x)



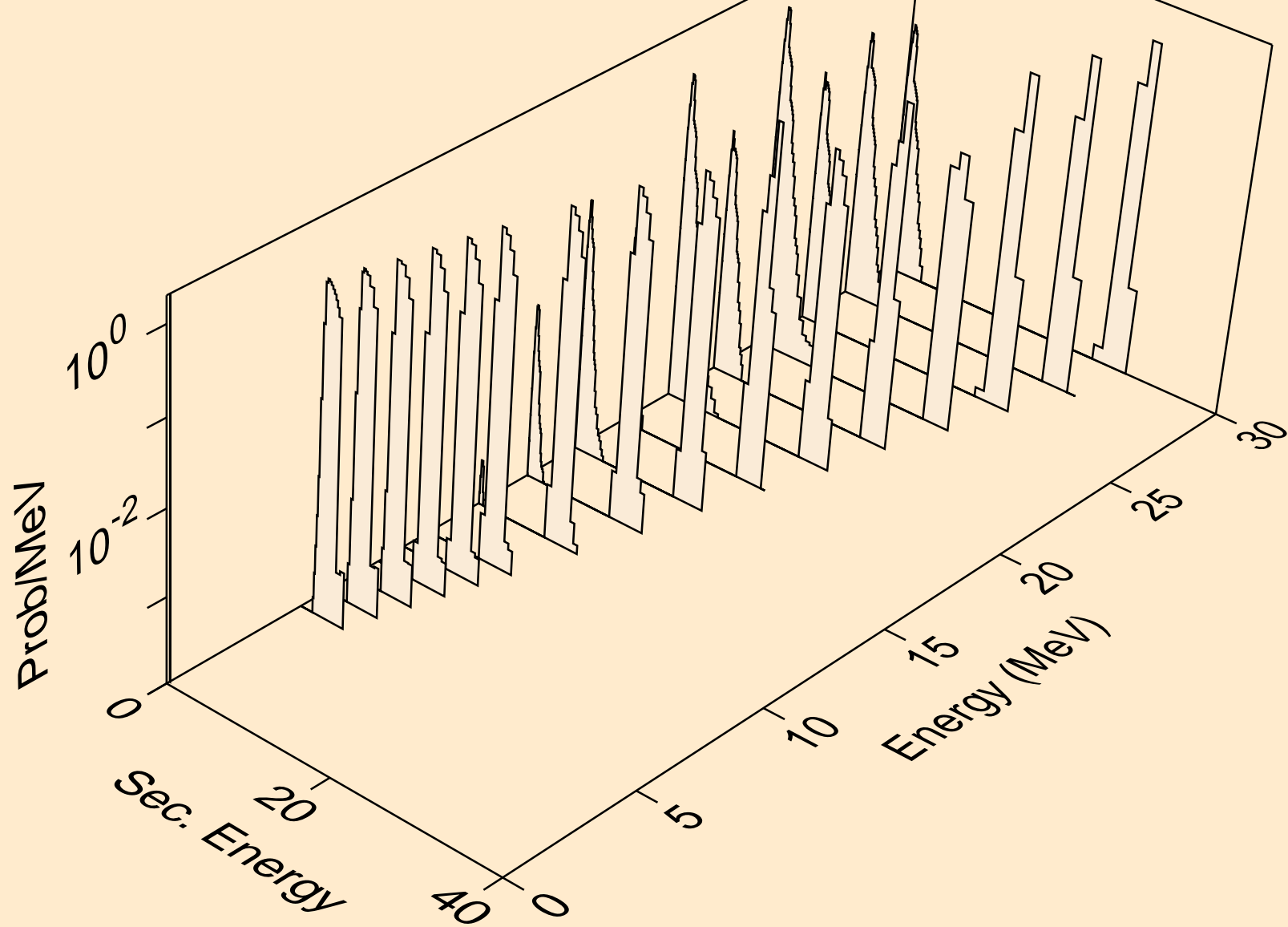
HS269 TRITON ACER TENDL-2021 LIBRARY; T=0.K
neutrons from (t,2n)



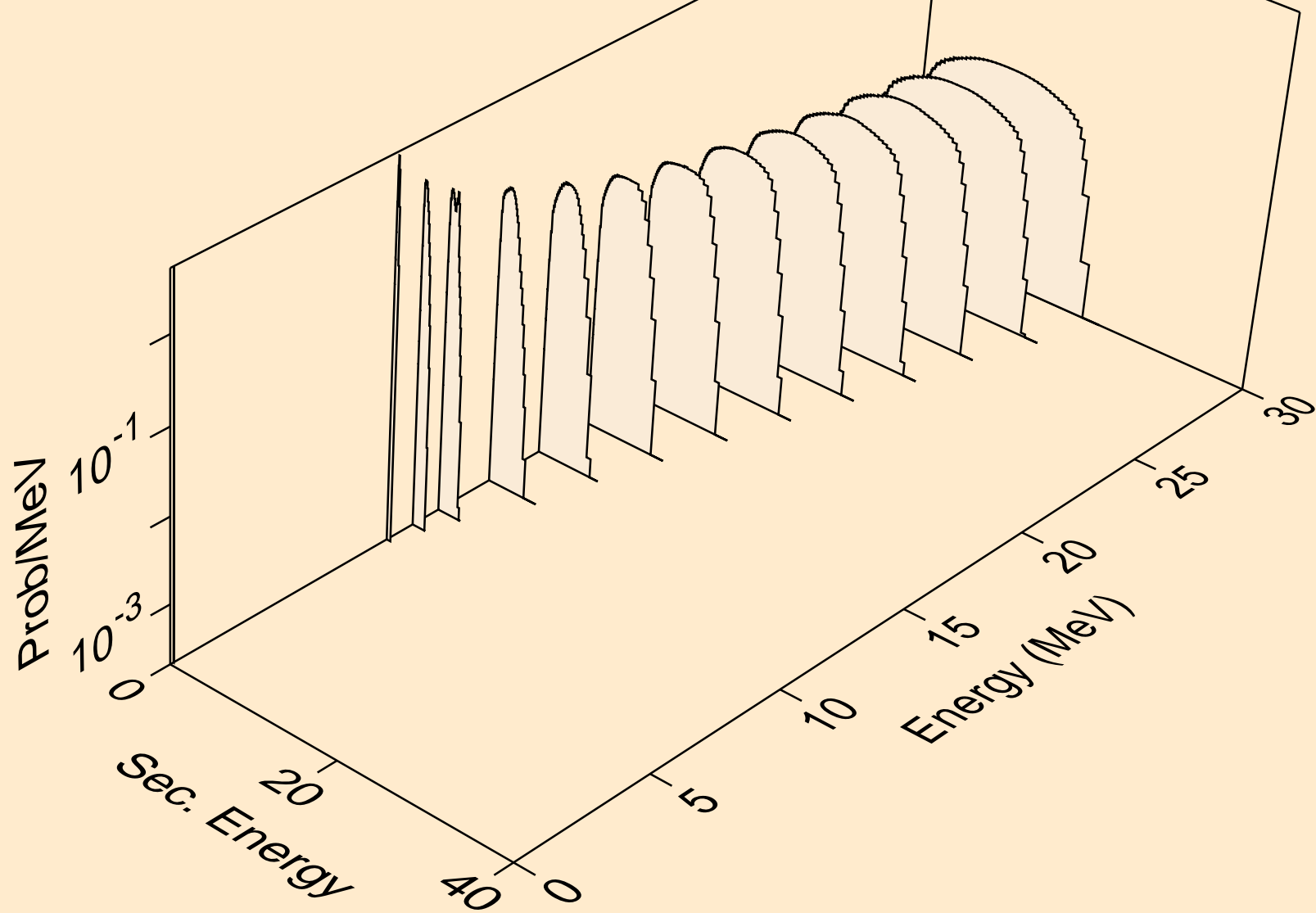
HS269 TRITON ACER TENDL-2021 LIBRARY; T=0.K
neutrons from (t,3n)



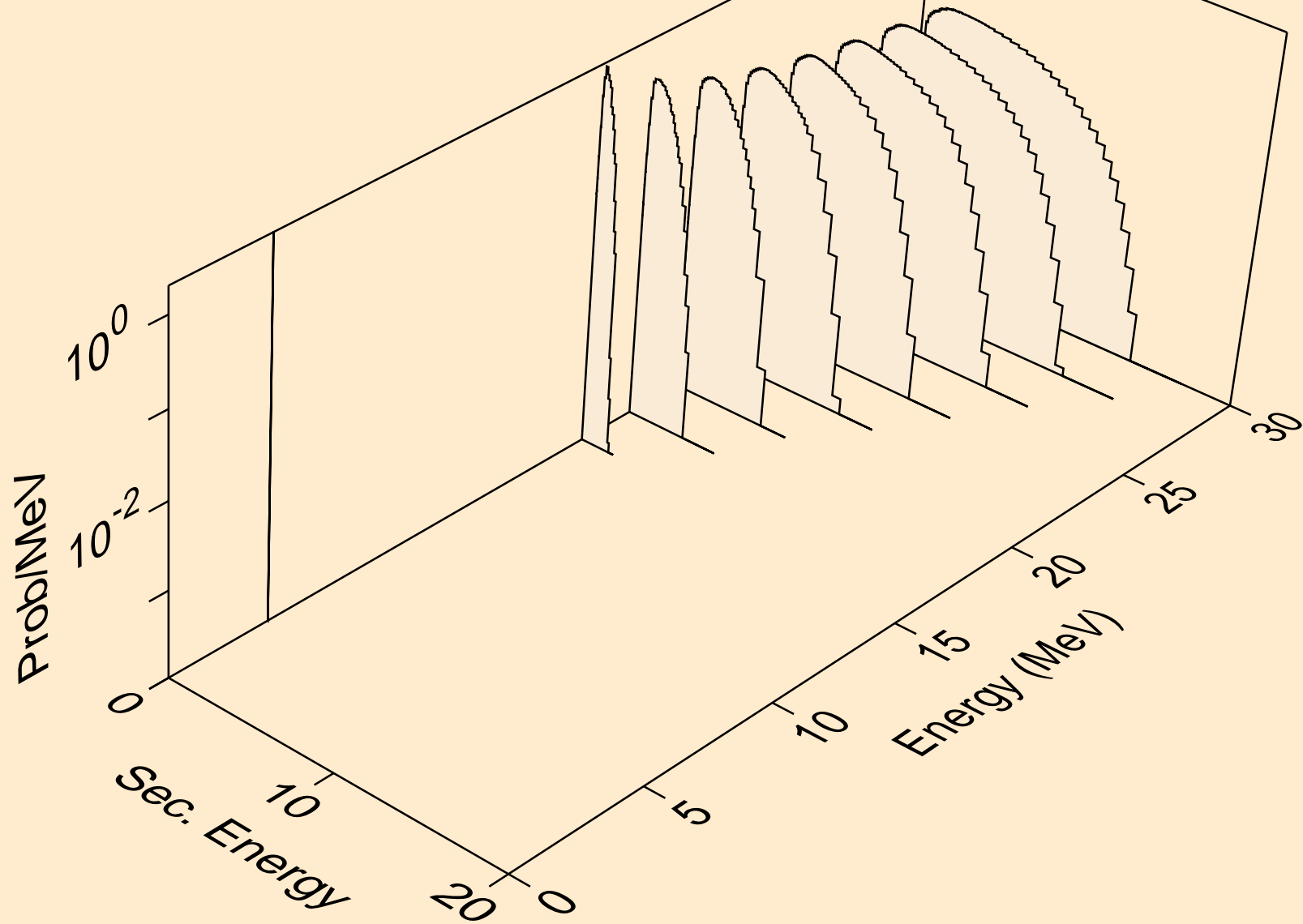
HS269 TRITON ACER TENDL-2021 LIBRARY; T=0.K
neutrons from (t,n*)a



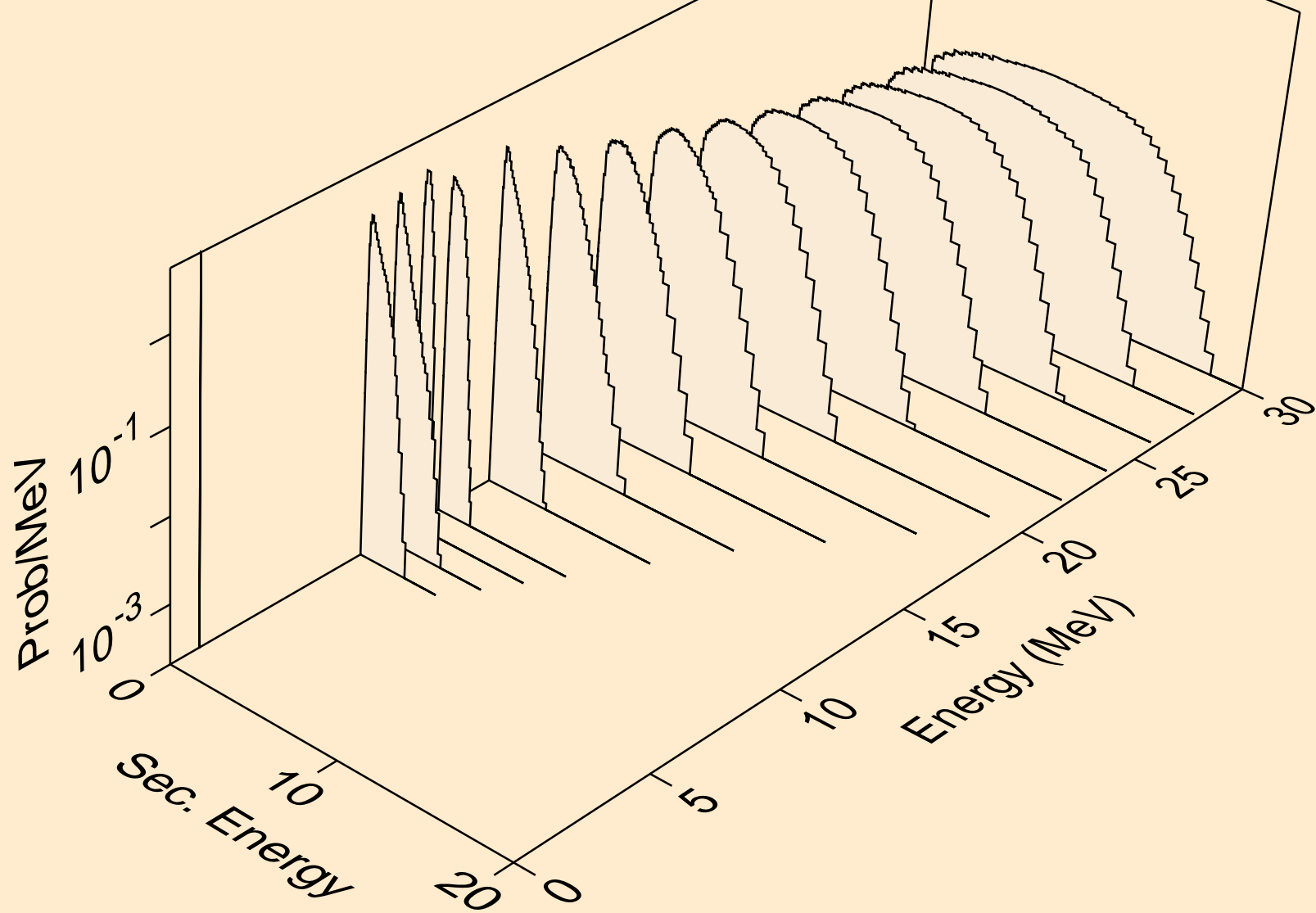
HS269 TRITON ACER TENDL-2021 LIBRARY; T=0.K
neutrons from (t,2n)a



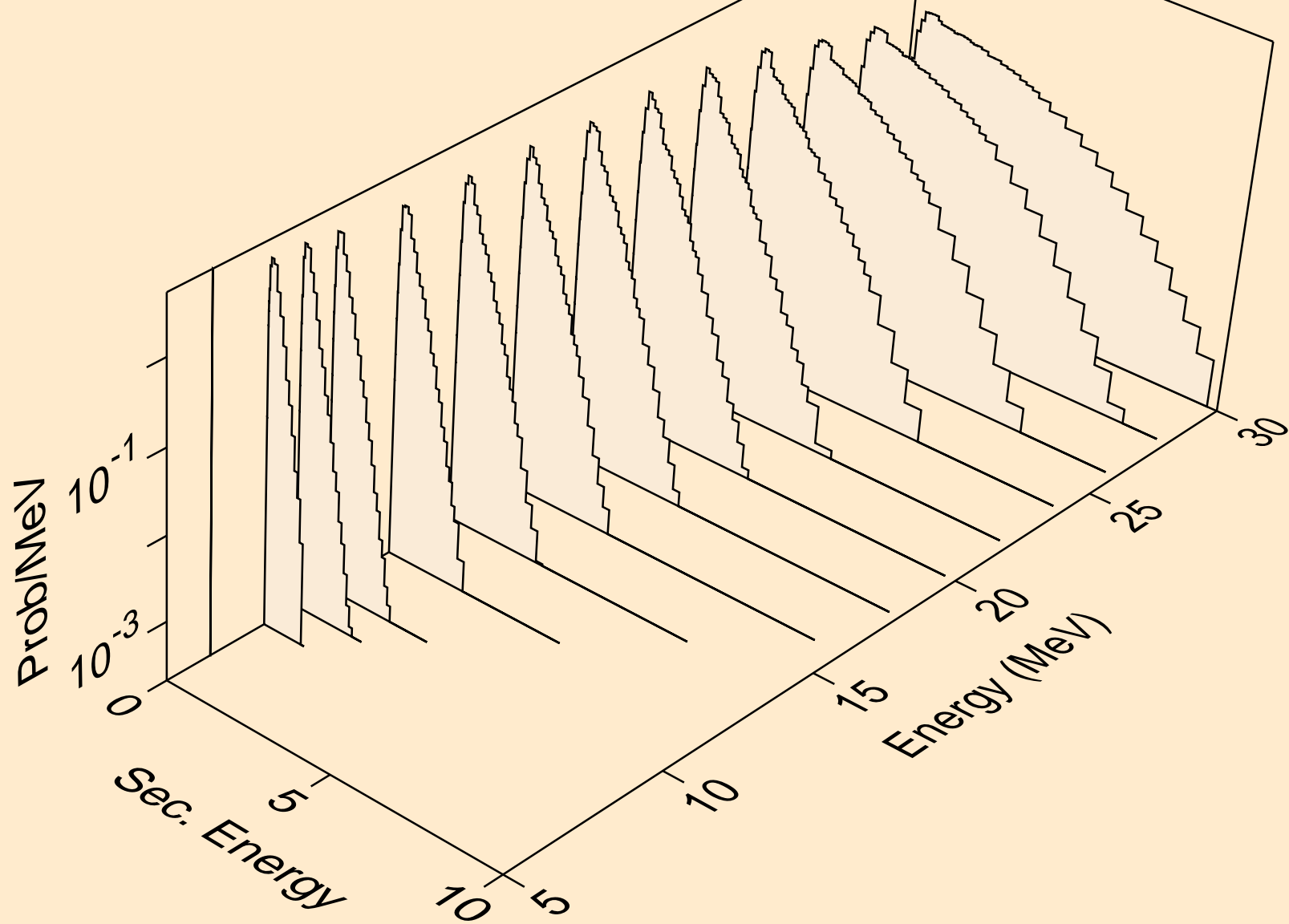
HS269 TRITON ACER TENDL-2021 LIBRARY; T=0.K
neutrons from (t,3n)a



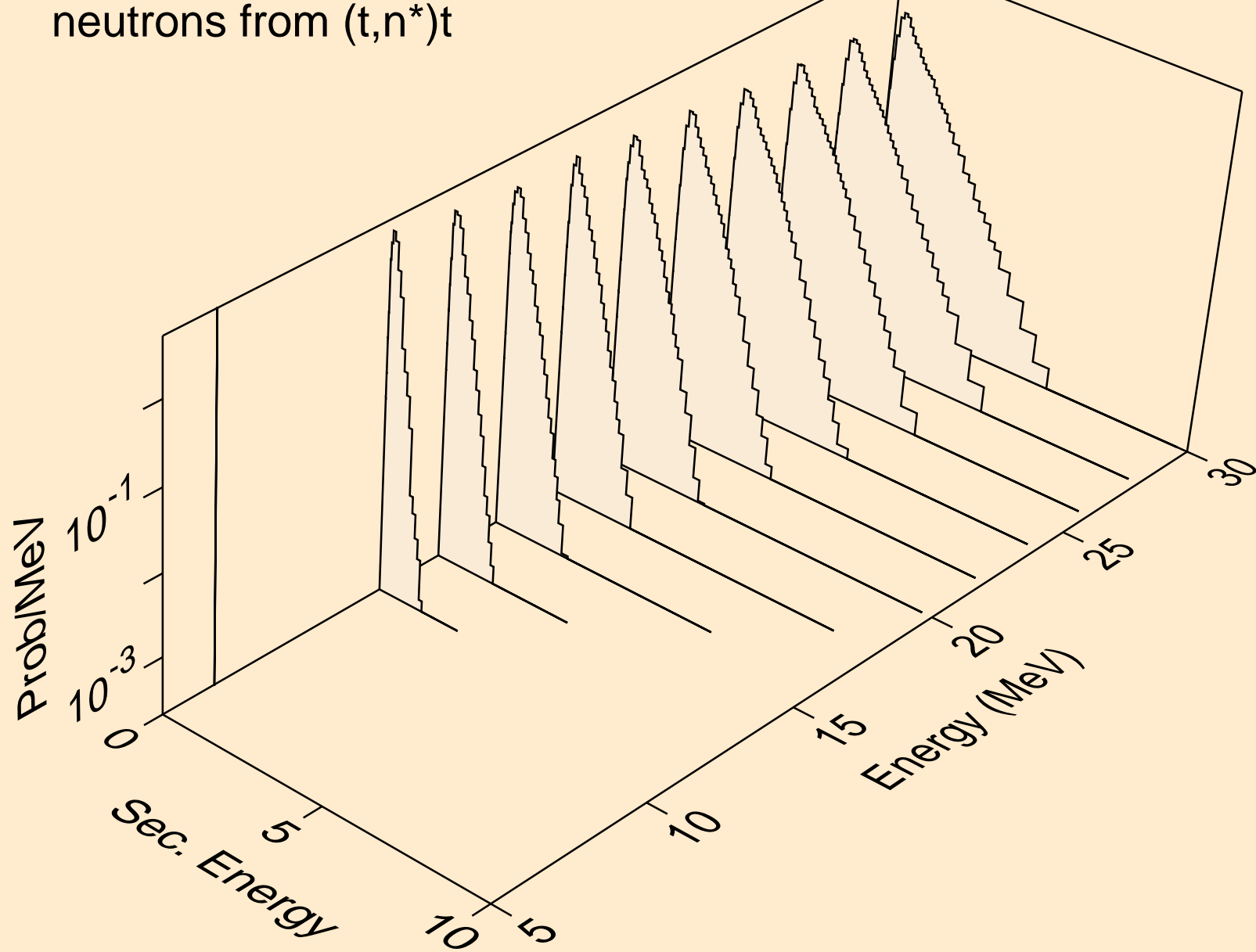
HS269 TRITON ACER TENDL-2021 LIBRARY; T=0.K
neutrons from (t,n*)p



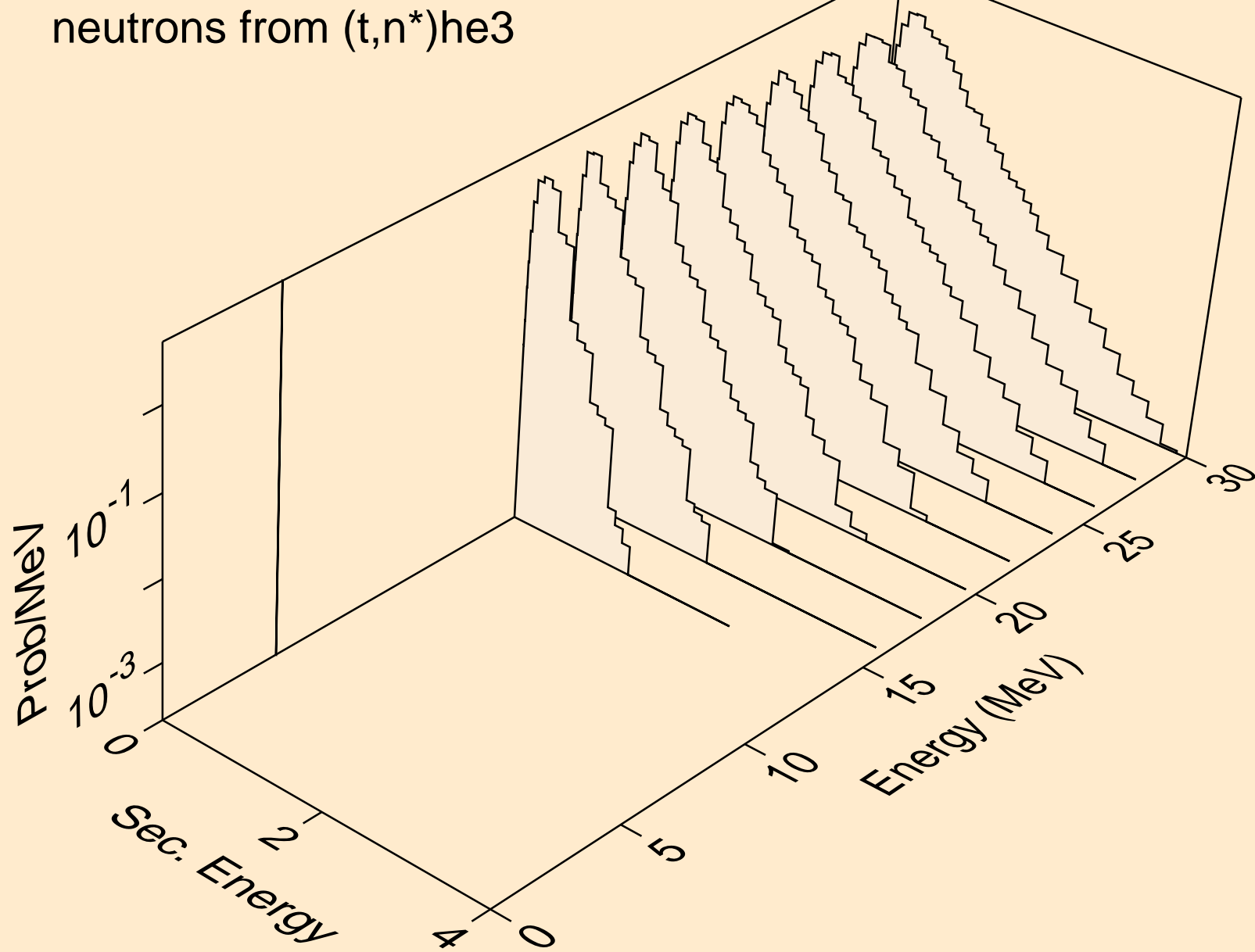
HS269 TRITON ACER TENDL-2021 LIBRARY; T=0.K
neutrons from (t,n*)d



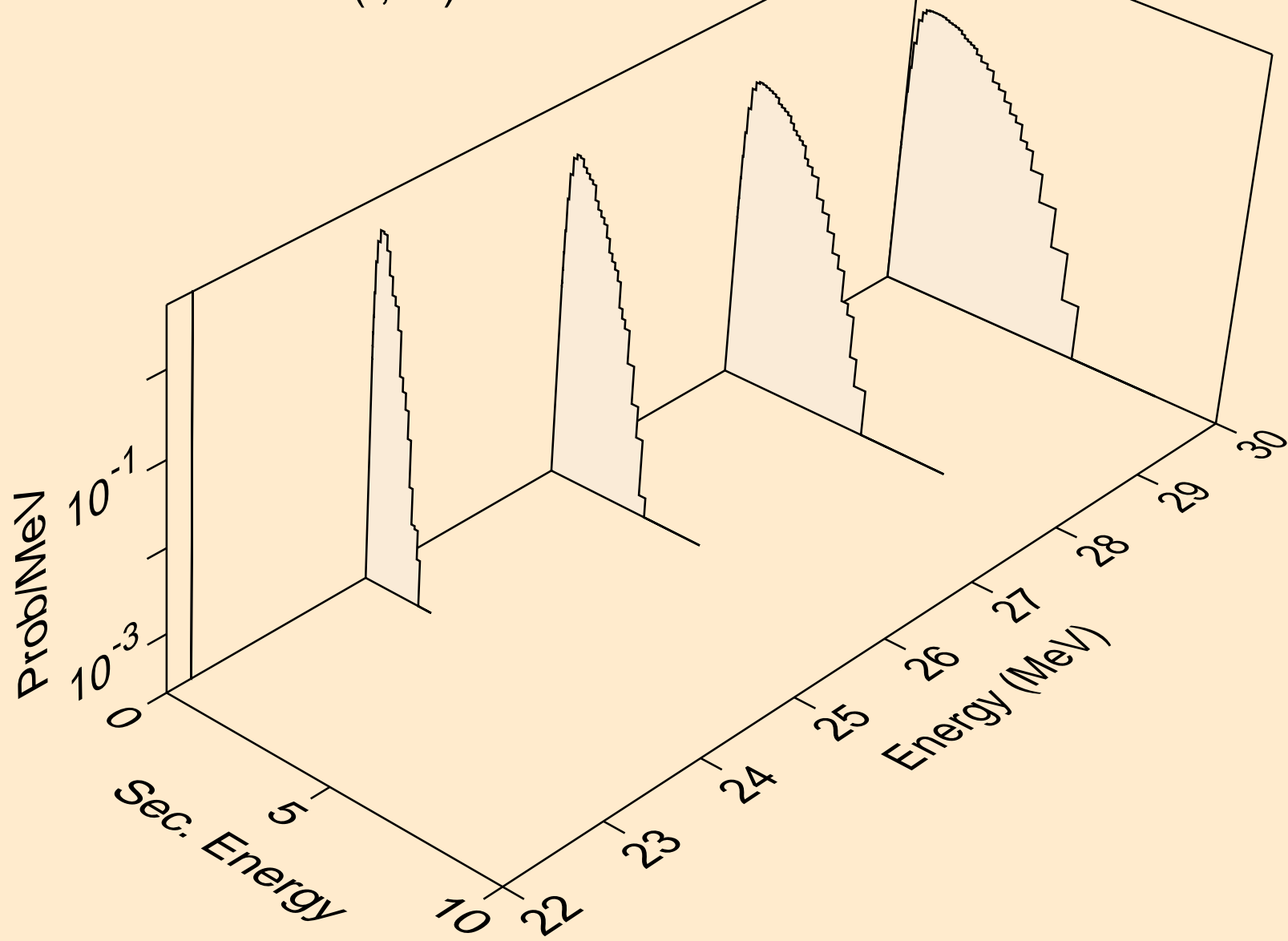
HS269 TRITON ACER TENDL-2021 LIBRARY; T=0.K
neutrons from (t,n*)t



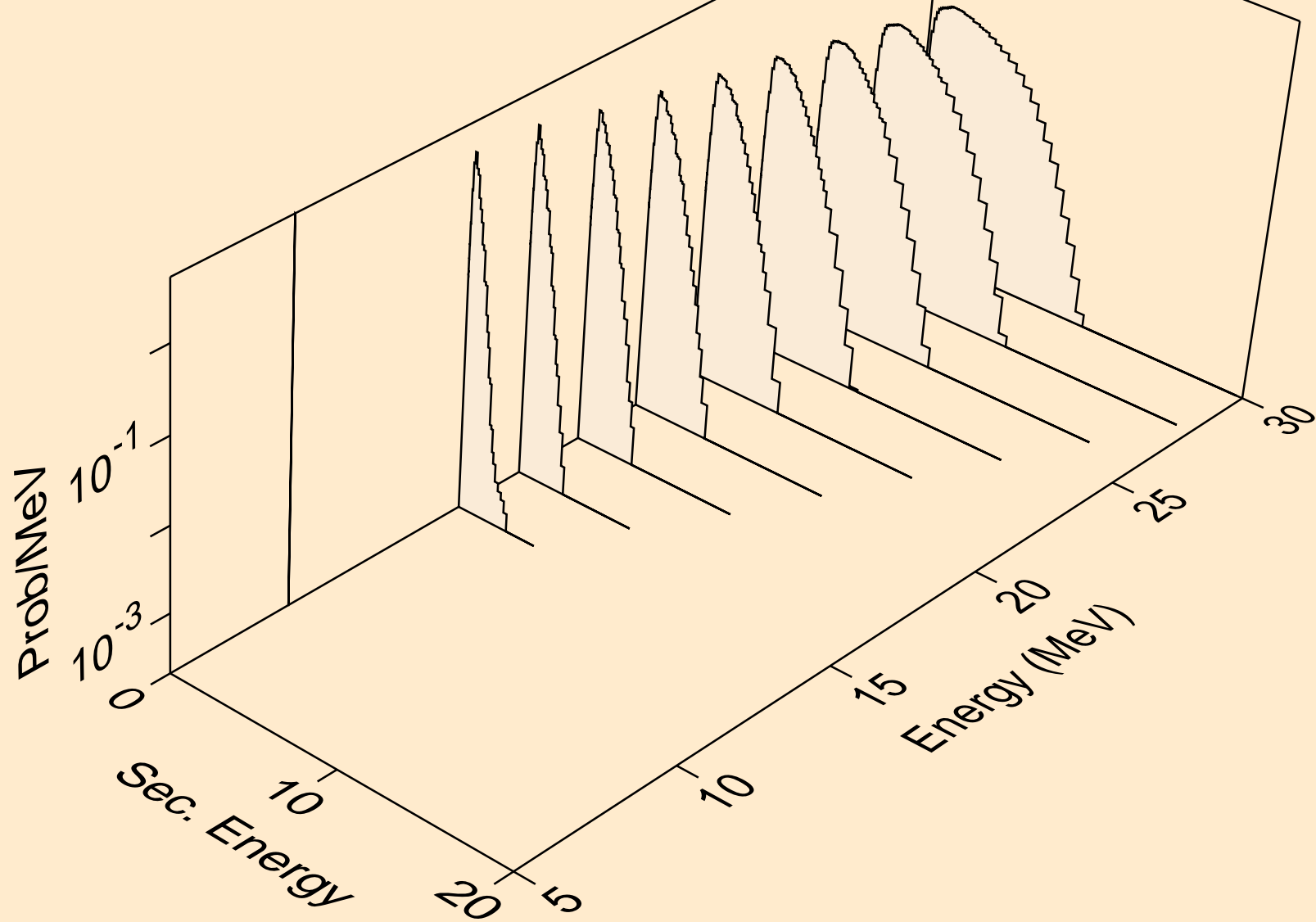
HS269 TRITON ACER TENDL-2021 LIBRARY; T=0.K
neutrons from (t,n*)he3



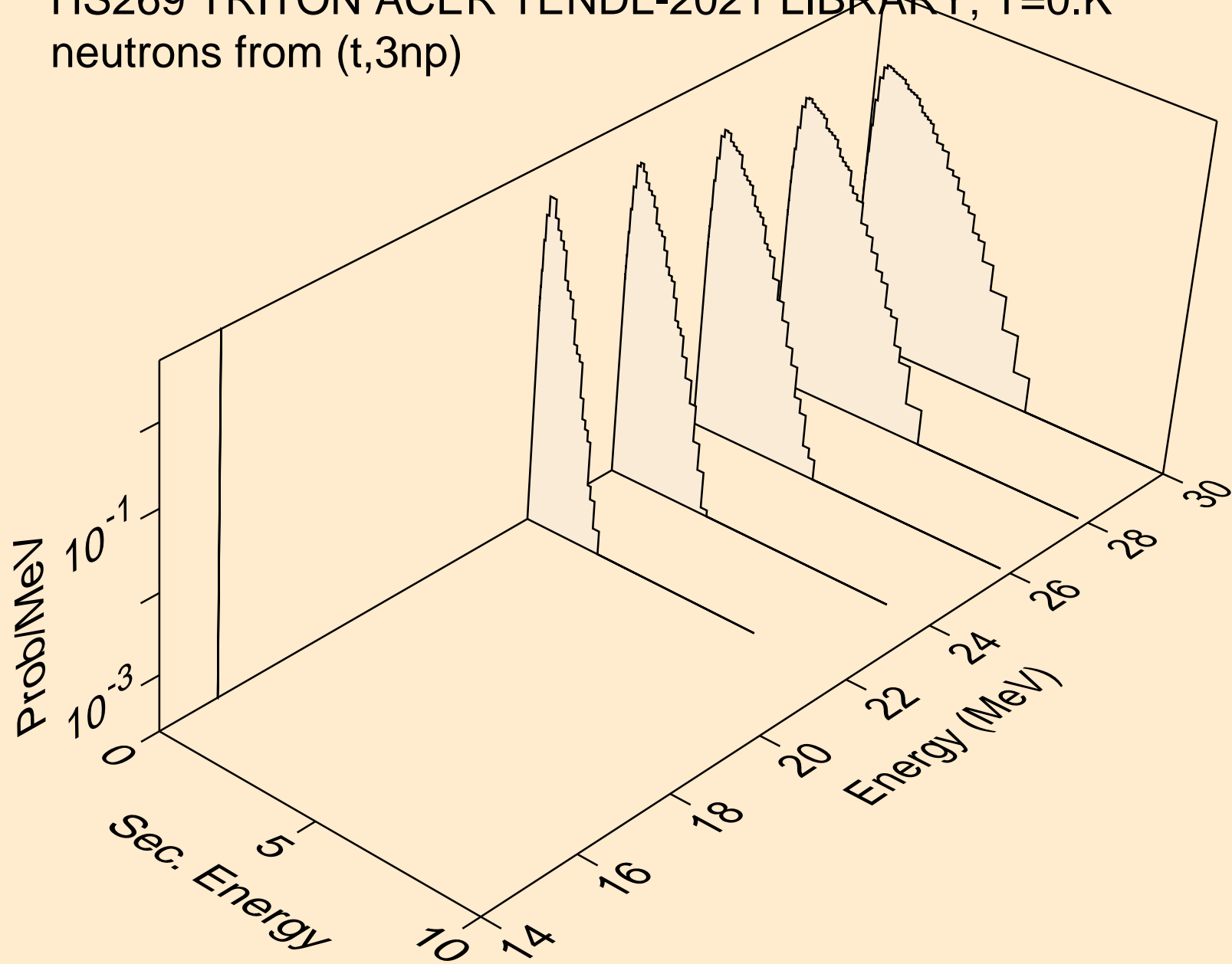
HS269 TRITON ACER TENDL-2021 LIBRARY; T=0.K
neutrons from (t,4n)



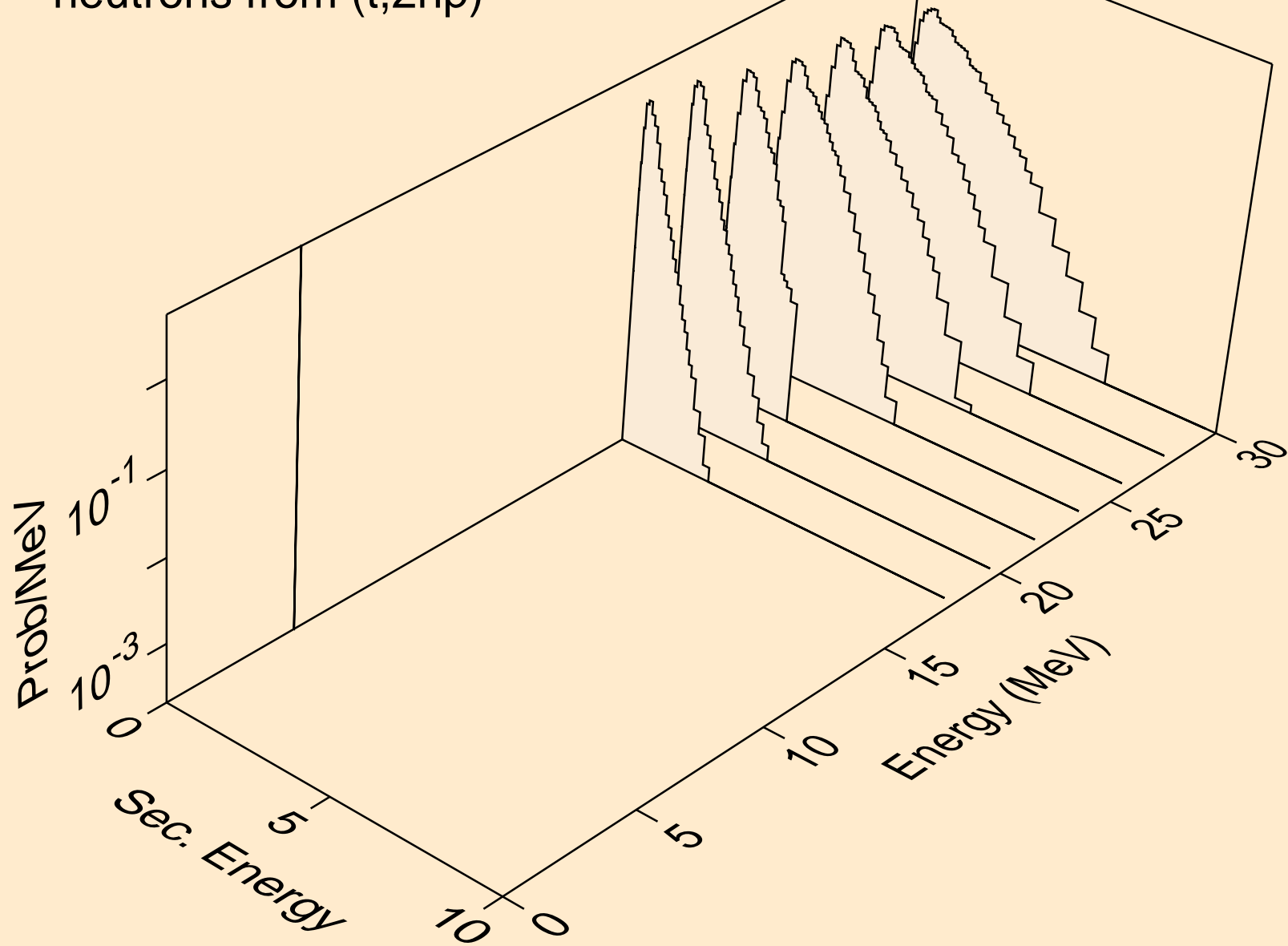
HS269 TRITON ACER TENDL-2021 LIBRARY; T=0.K
neutrons from (t,2np)



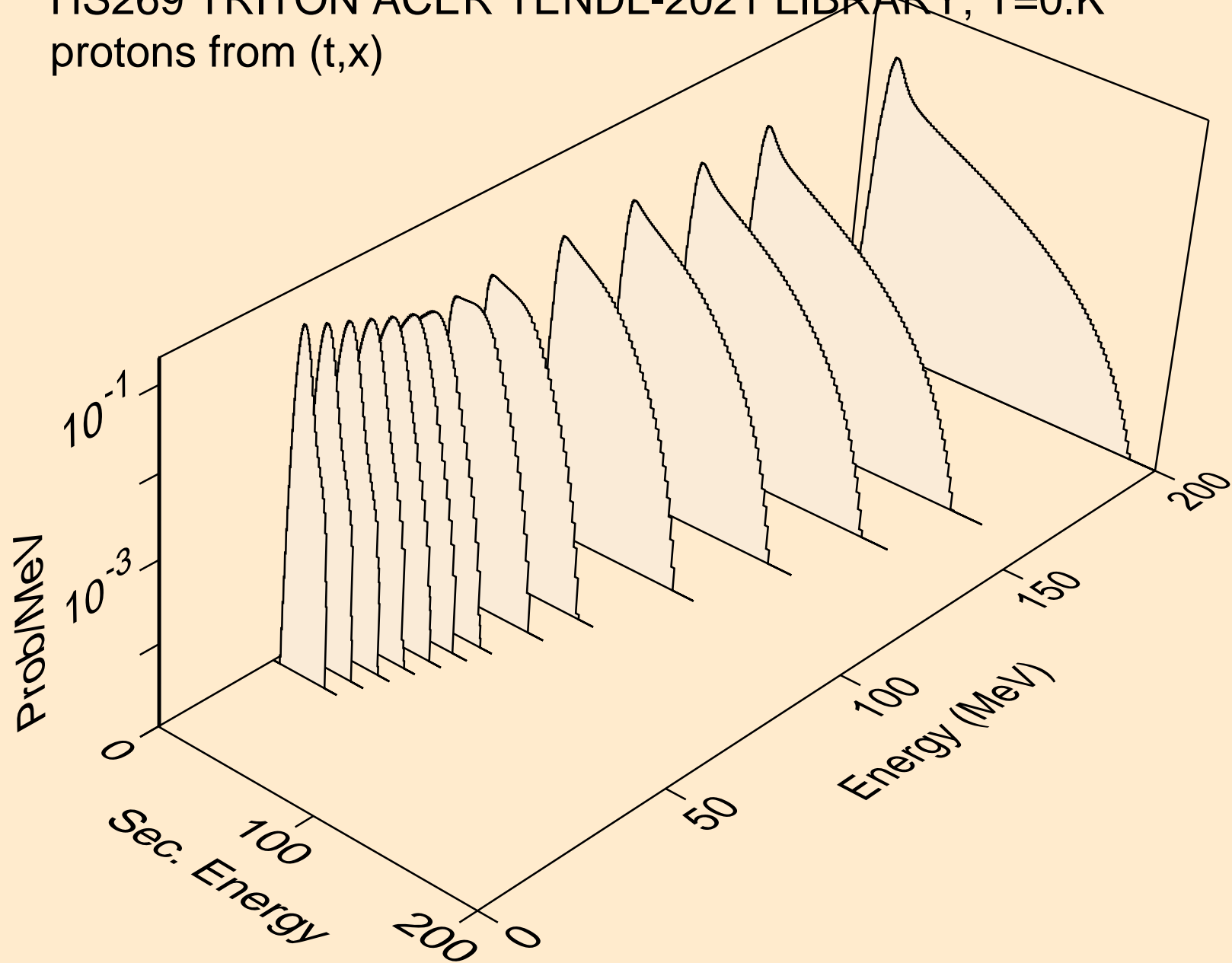
HS269 TRITON ACER TENDL-2021 LIBRARY; T=0.K
neutrons from (t,3np)



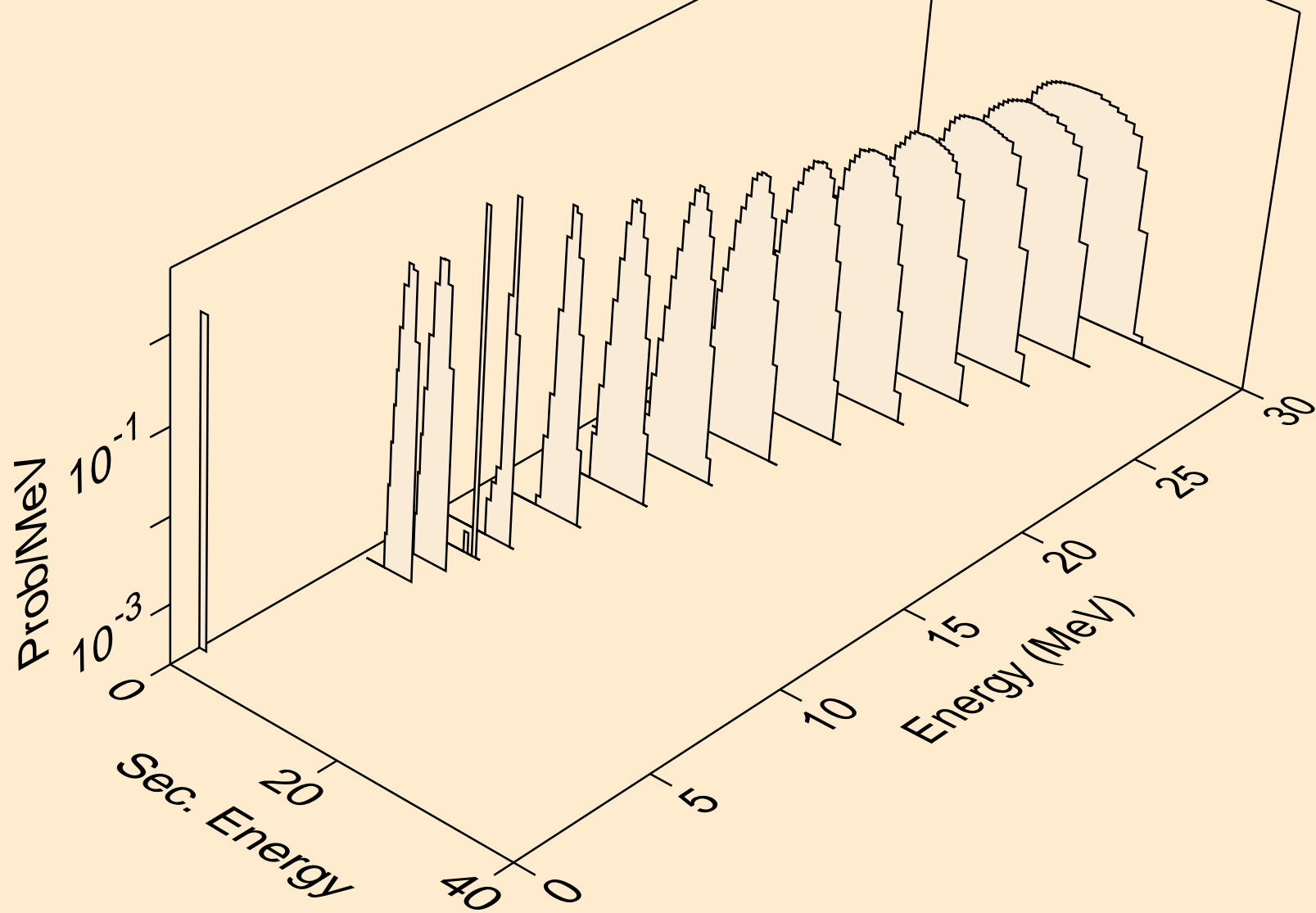
HS269 TRITON ACER TENDL-2021 LIBRARY; T=0.K
neutrons from (t,2np)



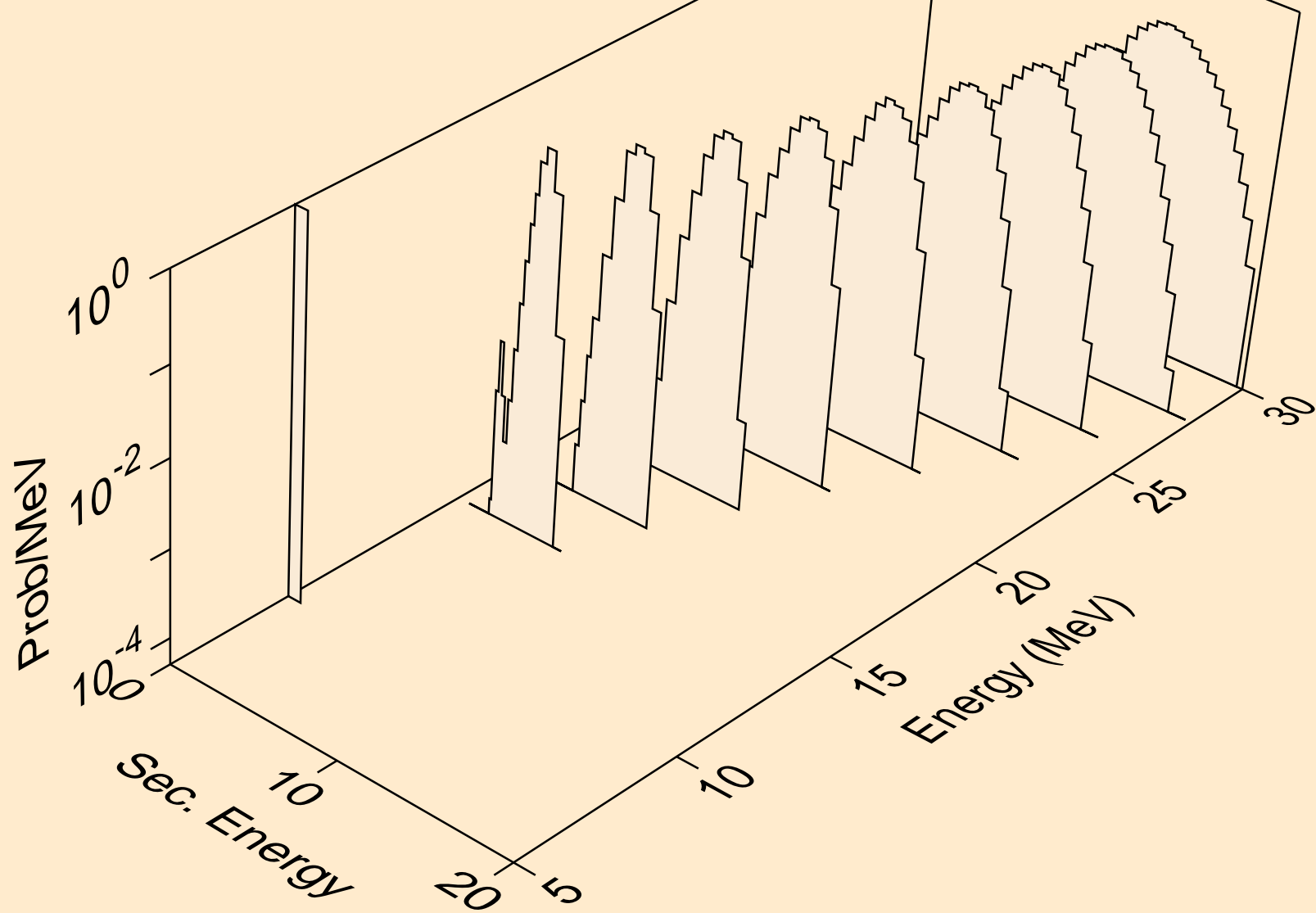
HS269 TRITON ACER TENDL-2021 LIBRARY; T=0.K
protons from (t,x)



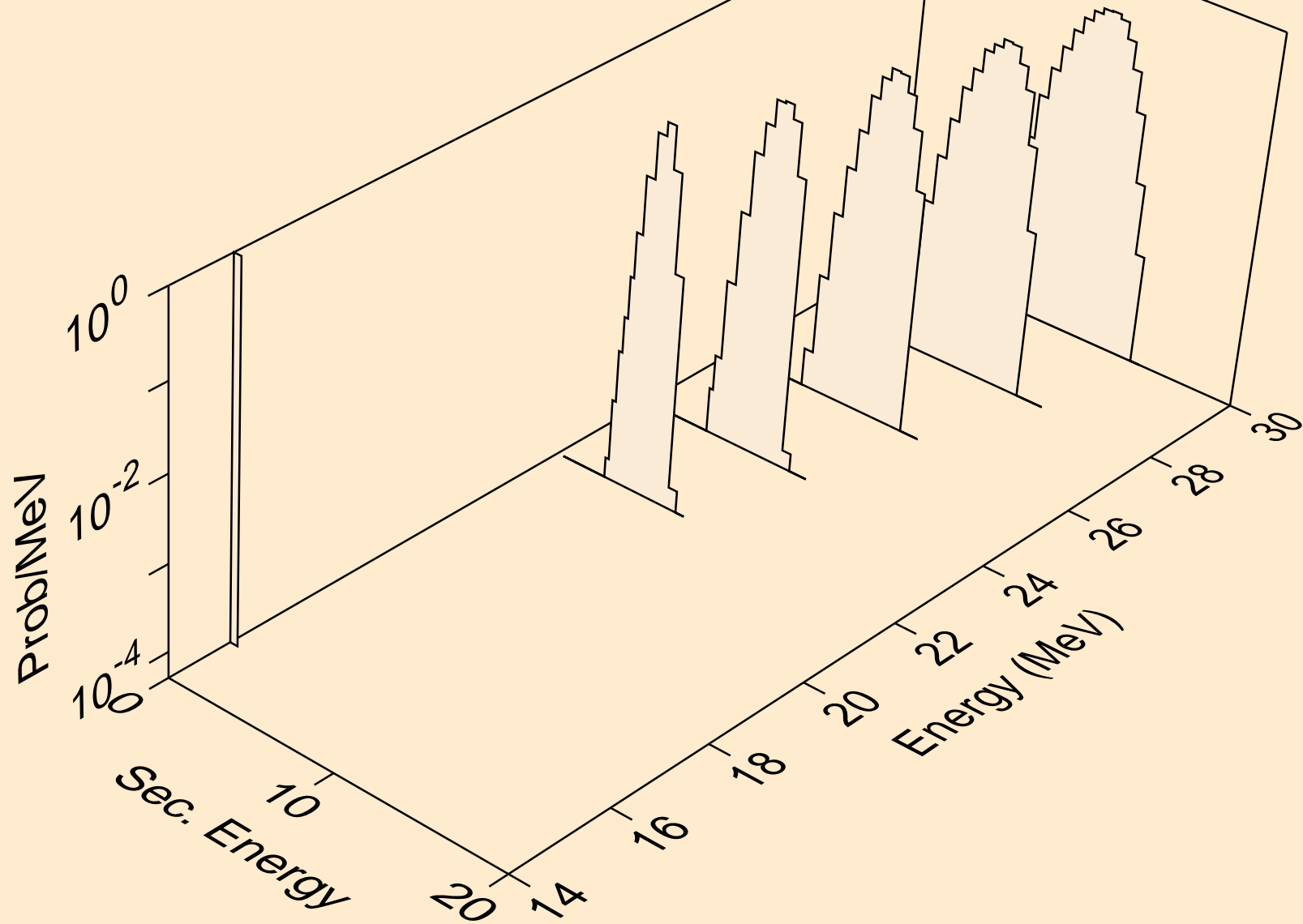
HS269 TRITON ACER TENDL-2021 LIBRARY; T=0.K
protons from (t,n*)p



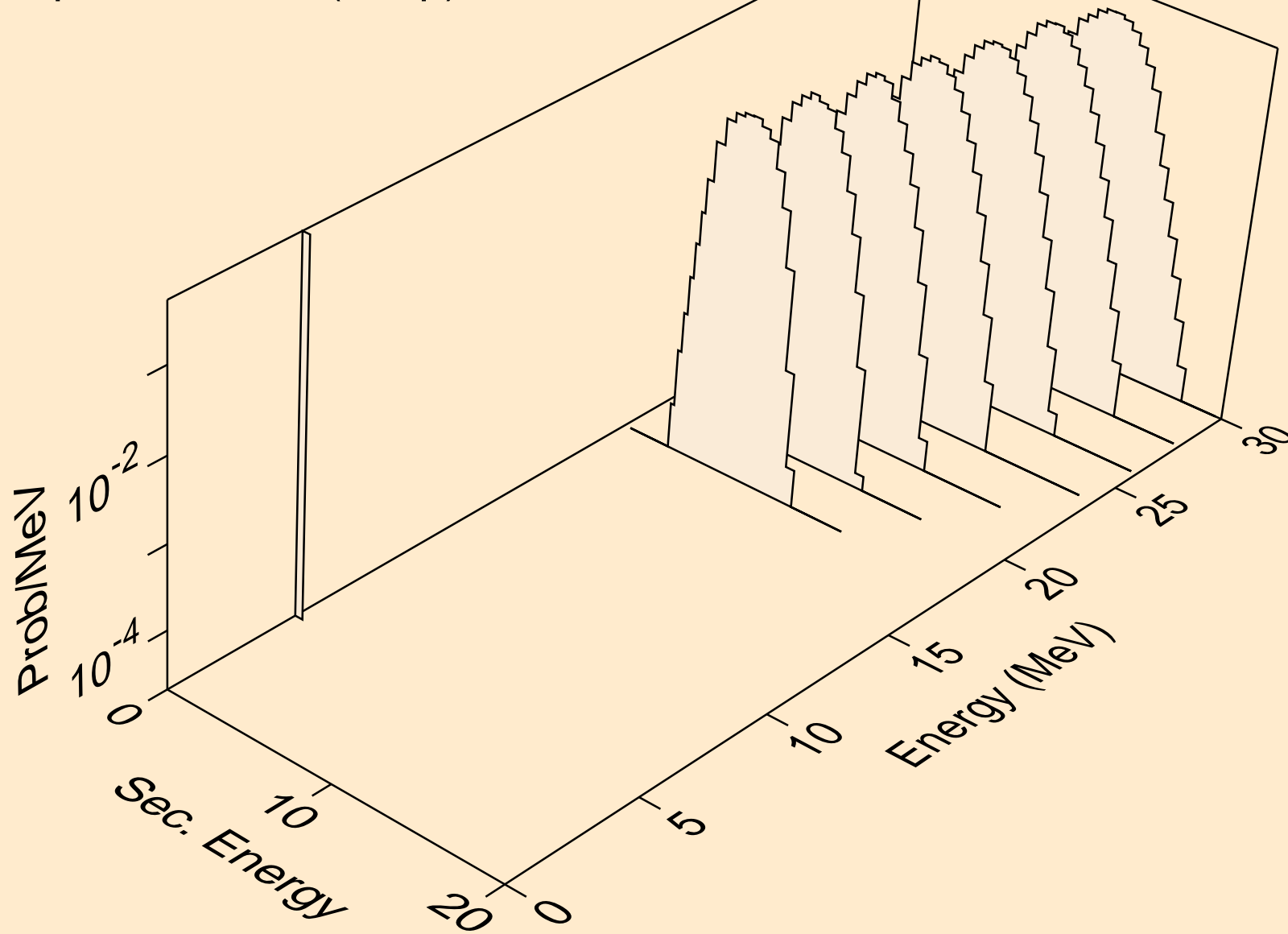
HS269 TRITON ACER TENDL-2021 LIBRARY; T=0.K
protons from (t,2np)



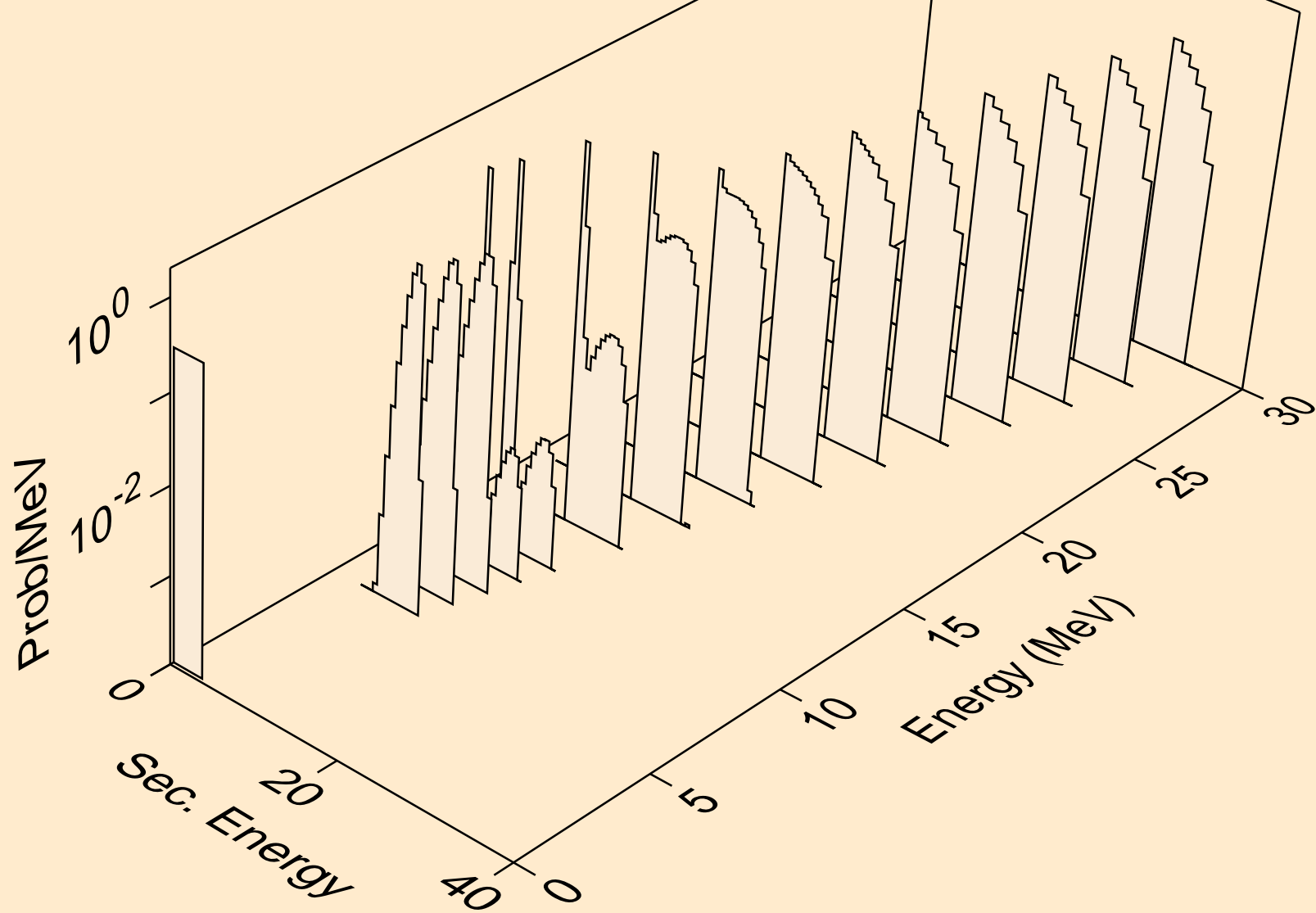
HS269 TRITON ACER TENDL-2021 LIBRARY; T=0.K
protons from (t,3np)



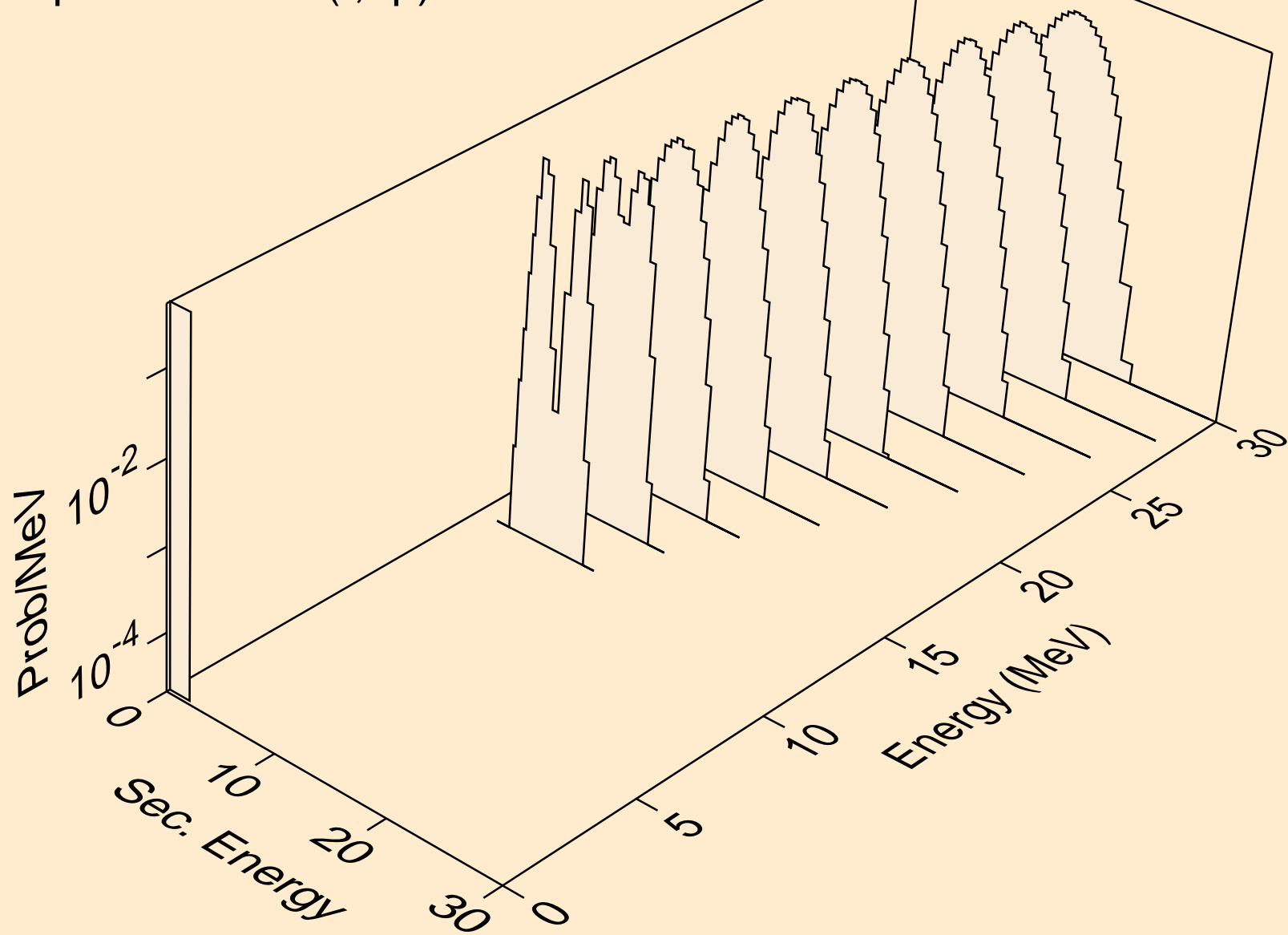
HS269 TRITON ACER TENDL-2021 LIBRARY; T=0.K
protons from (t,2np)



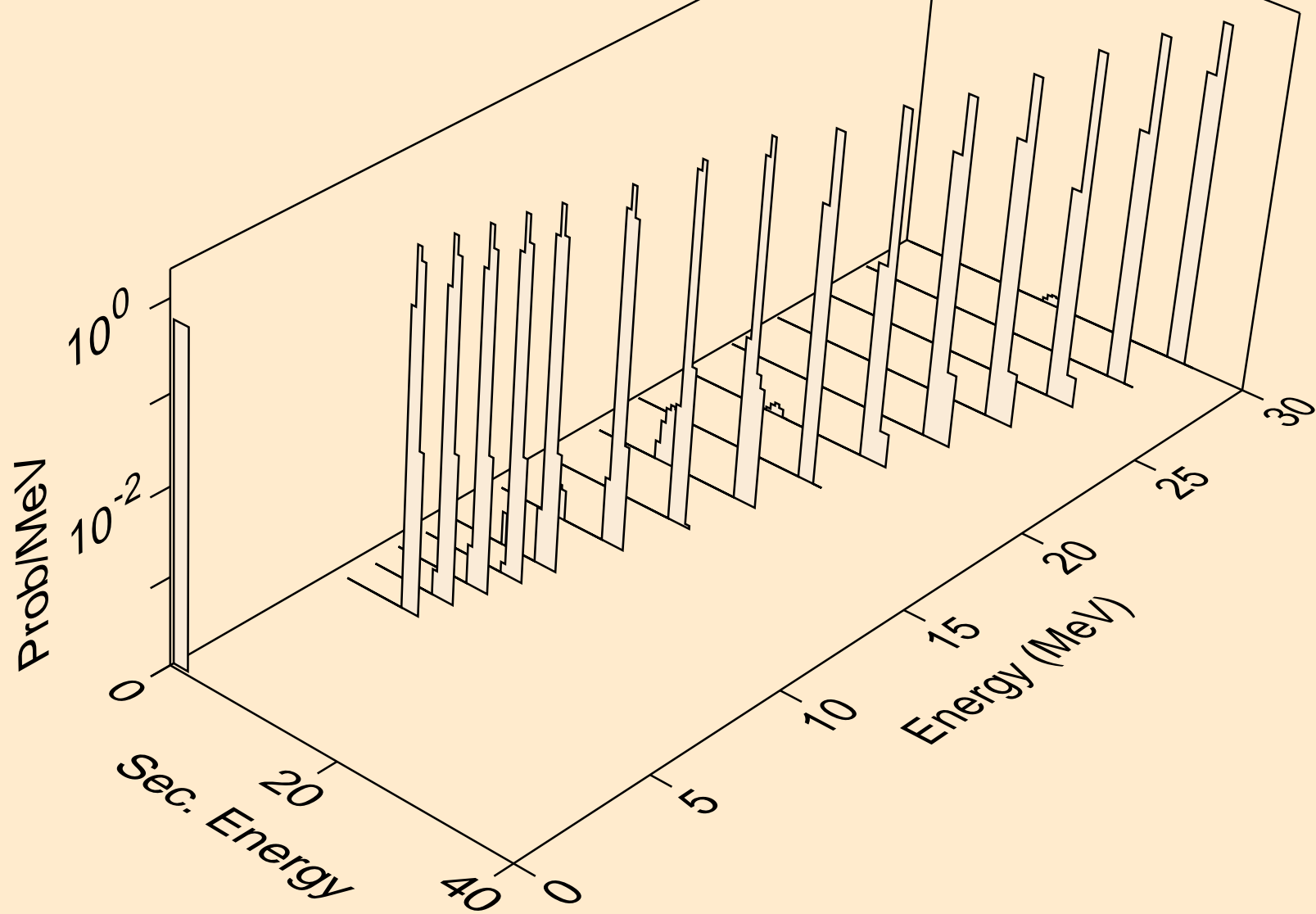
HS269 TRITON ACER TENDL-2021 LIBRARY; T=0.K
protons from (t,p)



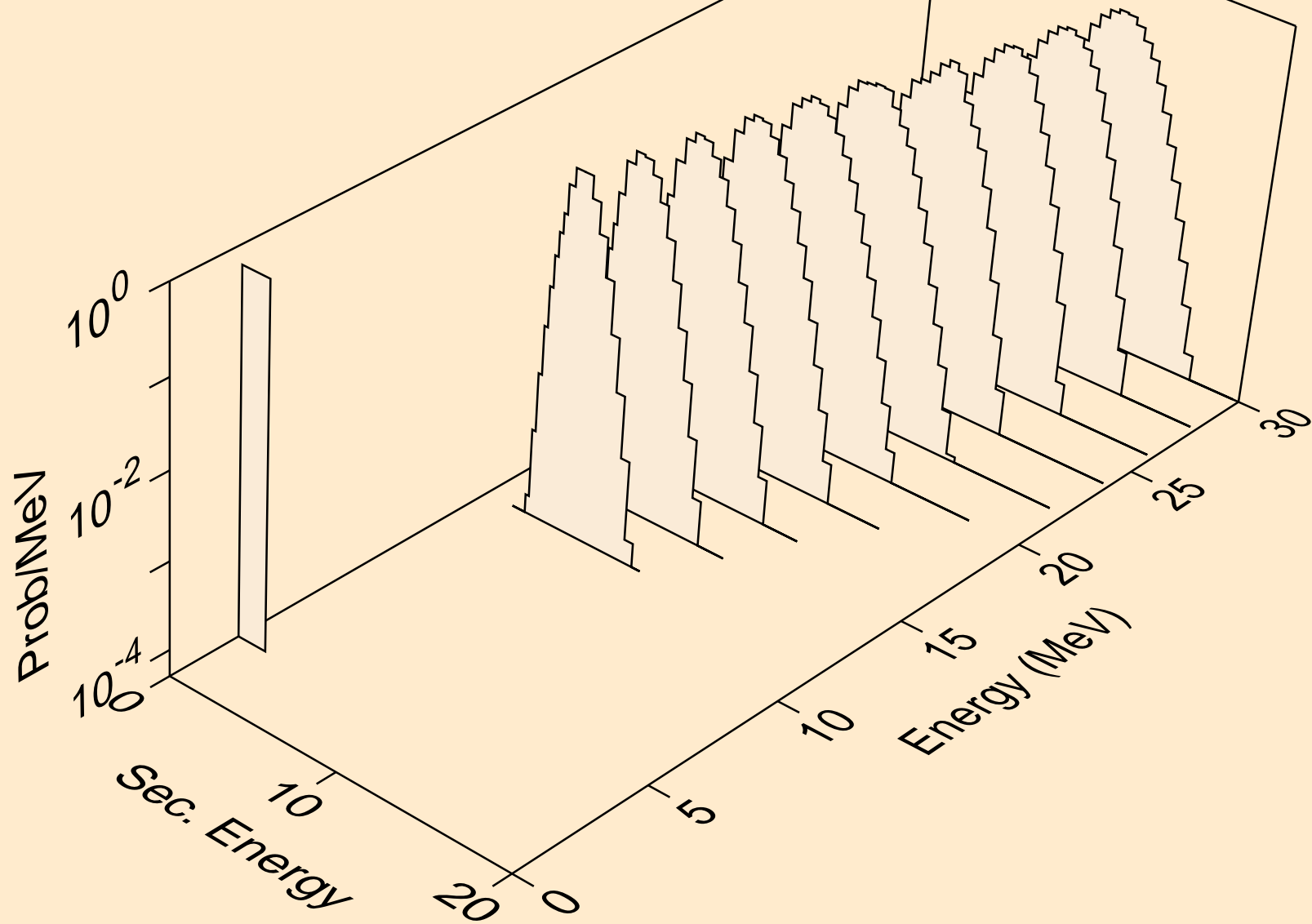
HS269 TRITON ACER TENDL-2021 LIBRARY; T=0.K
protons from (t,2p)



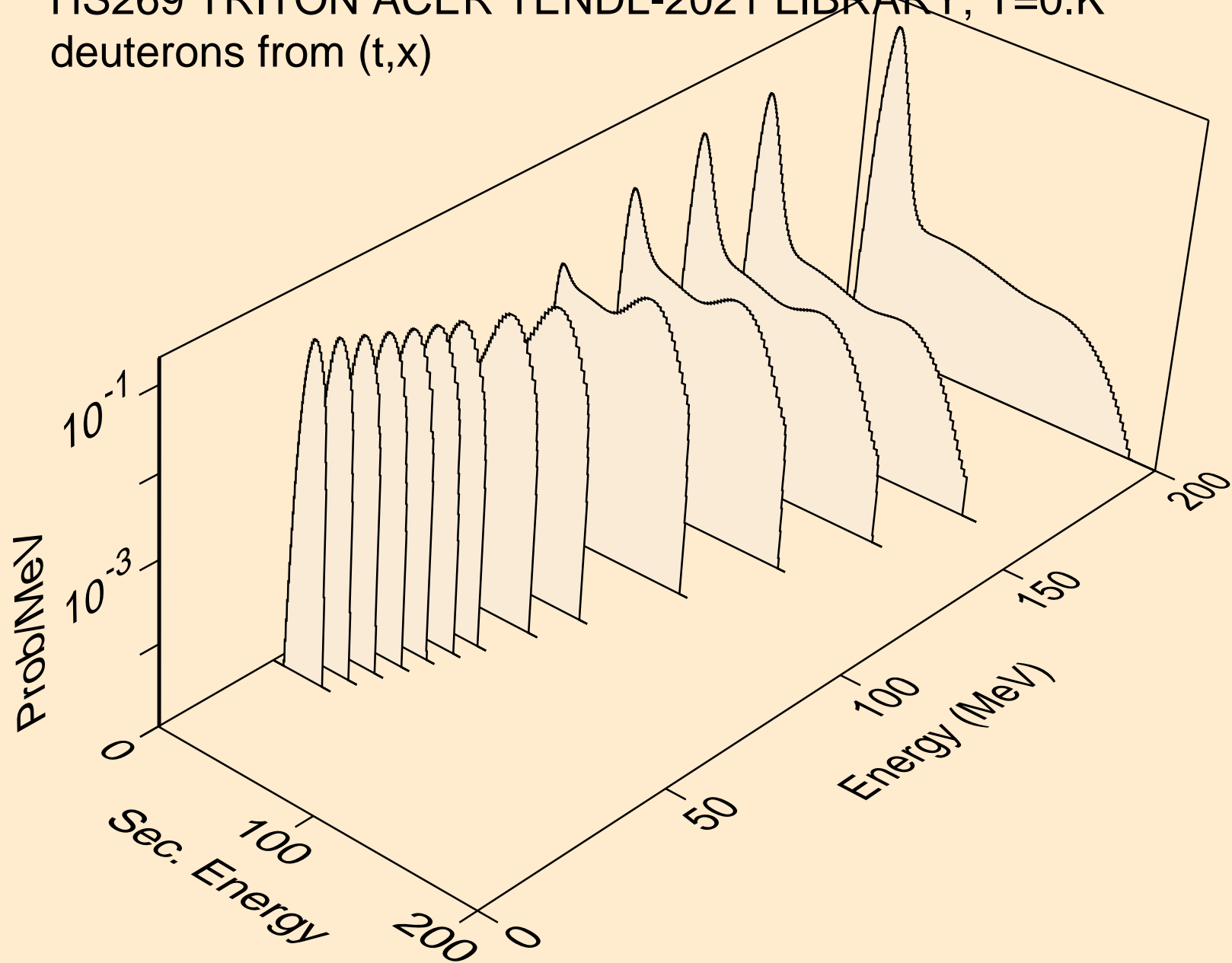
HS269 TRITON ACER TENDL-2021 LIBRARY; T=0.K
protons from (t,pa)



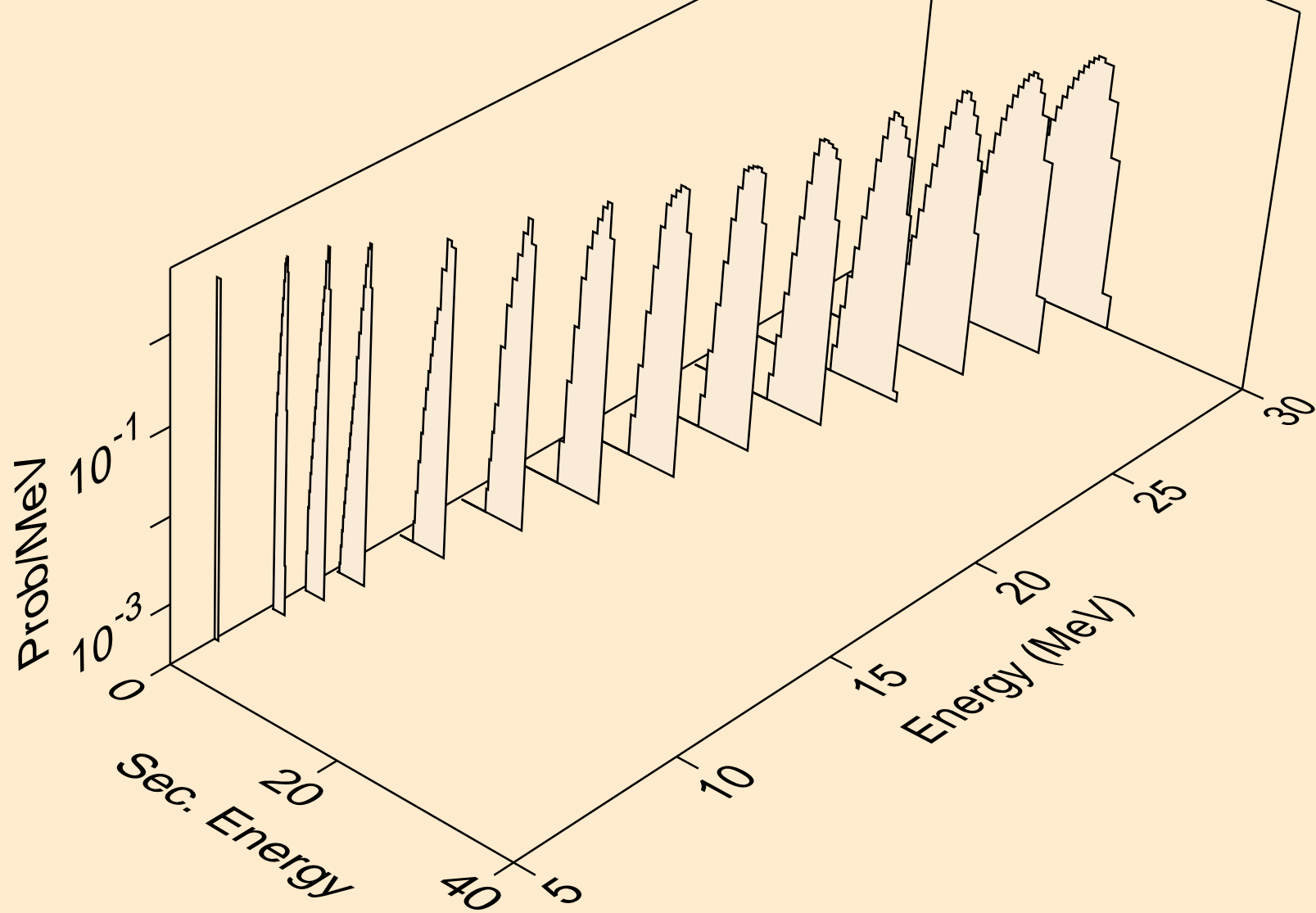
HS269 TRITON ACER TENDL-2021 LIBRARY; T=0.K
protons from (t,pd)



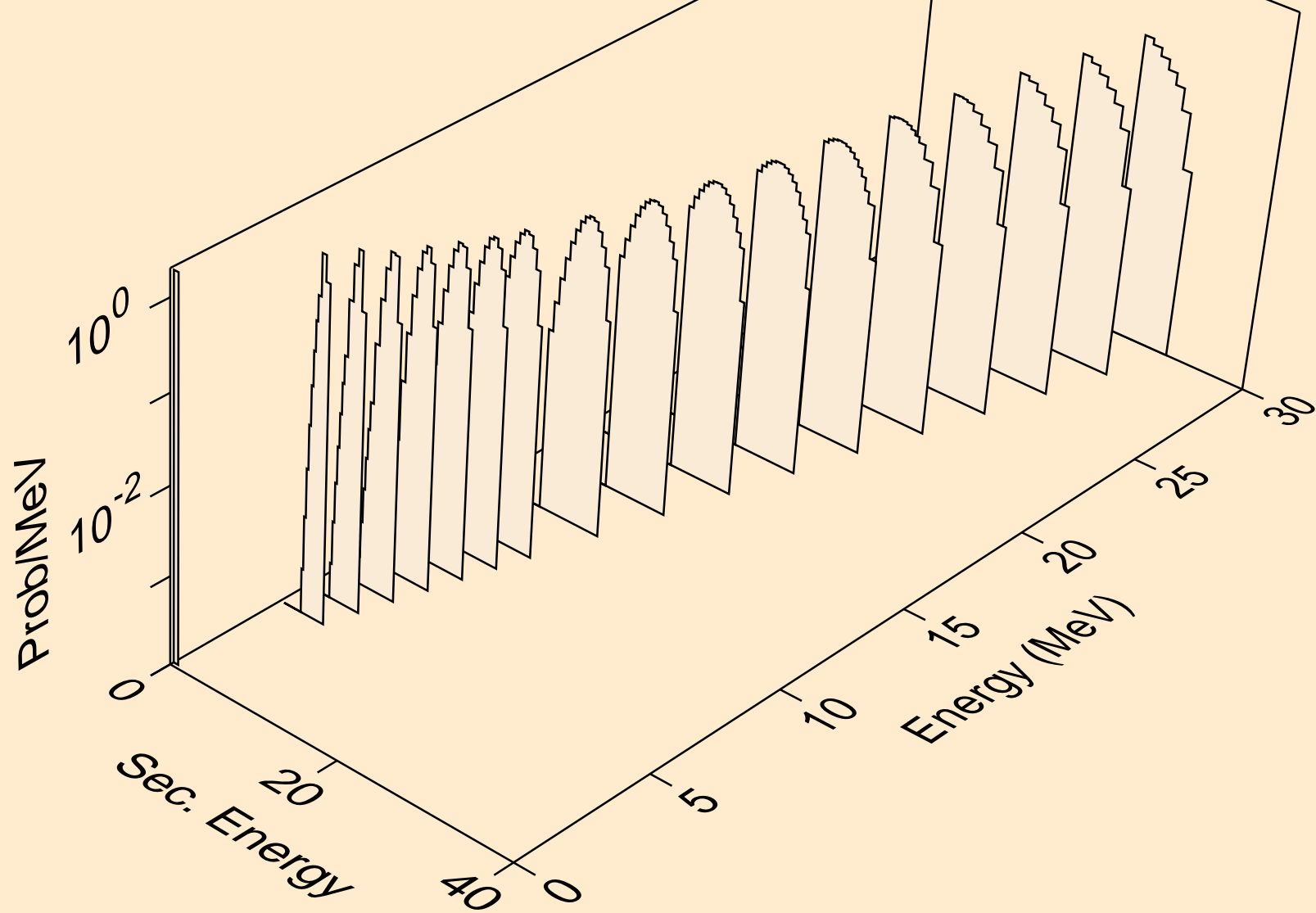
HS269 TRITON ACER TENDL-2021 LIBRARY; T=0.K
deuterons from (t,x)



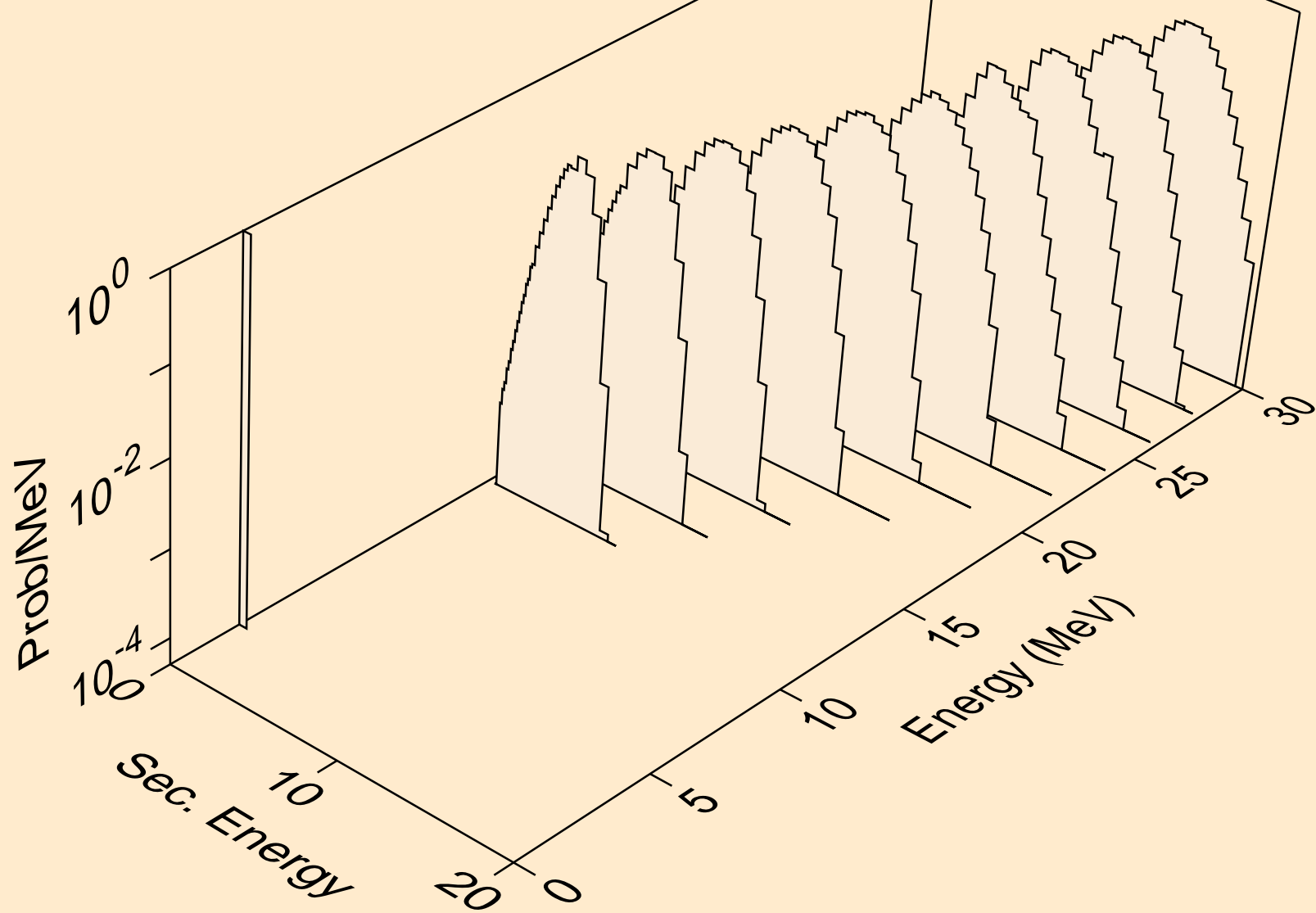
HS269 TRITON ACER TENDL-2021 LIBRARY; T=0.K
deuterons from (t,n*)d



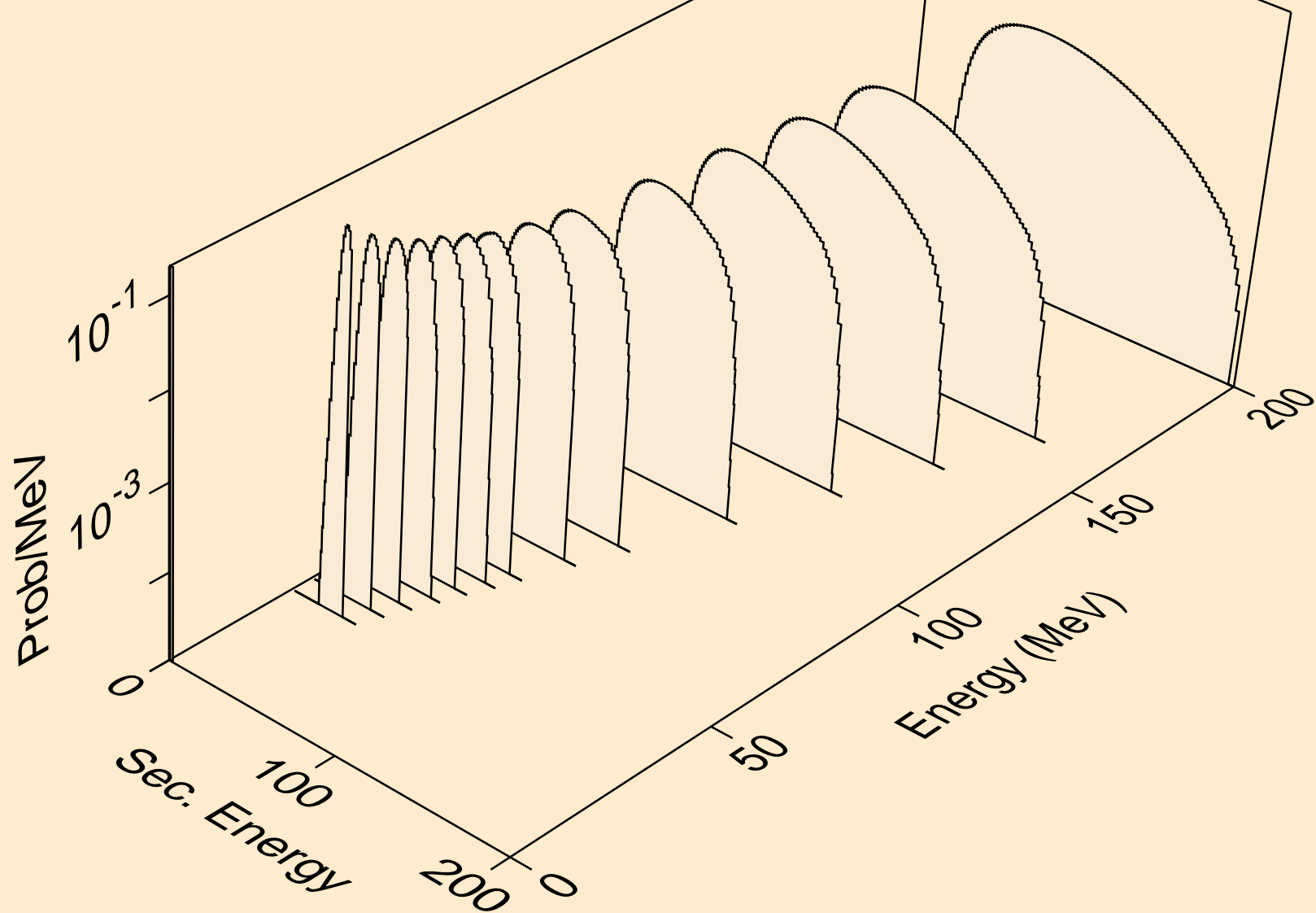
HS269 TRITON ACER TENDL-2021 LIBRARY; T=0.K
deuterons from (t,d)



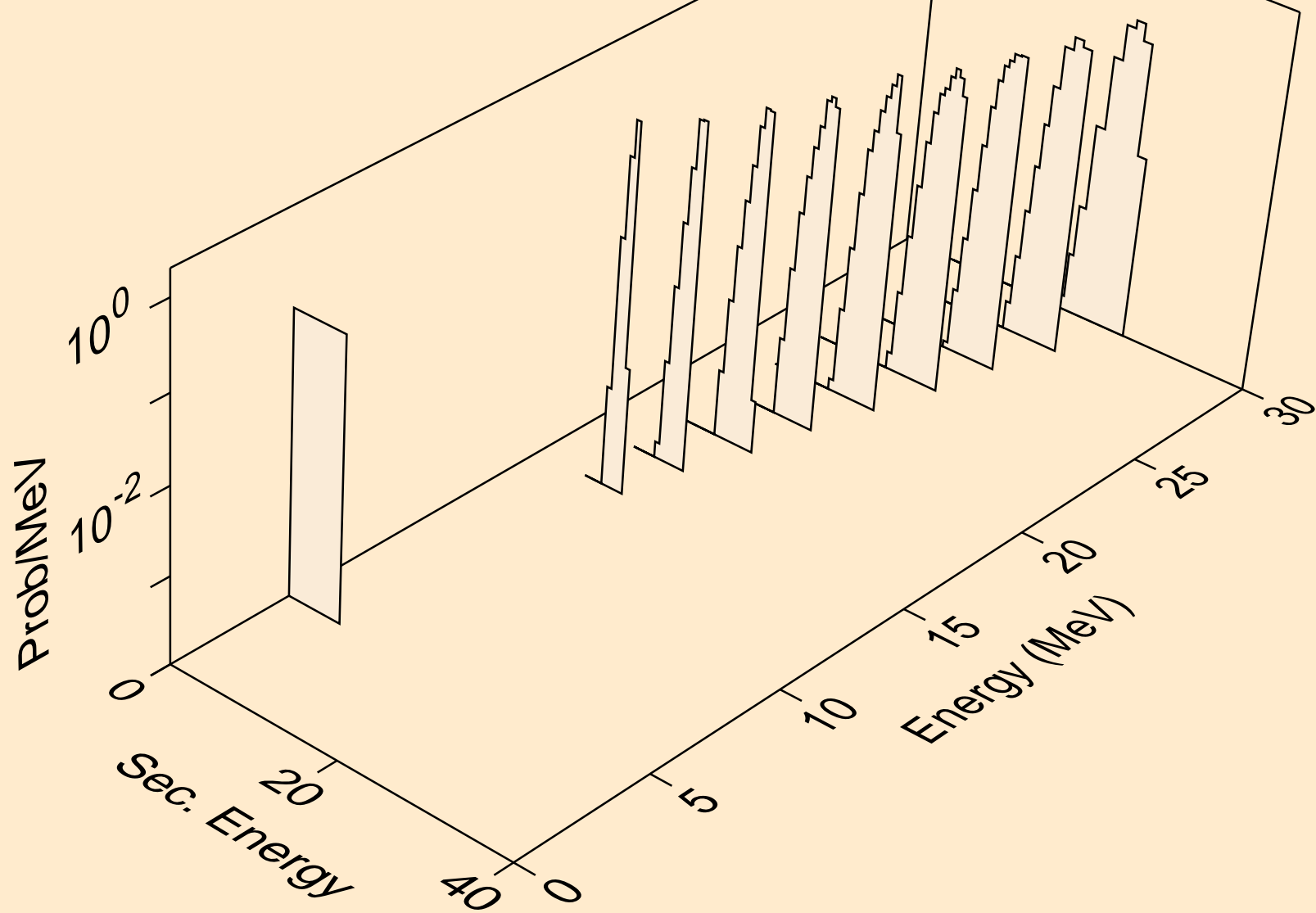
HS269 TRITON ACER TENDL-2021 LIBRARY; T=0.K
deuterons from (t,pd)



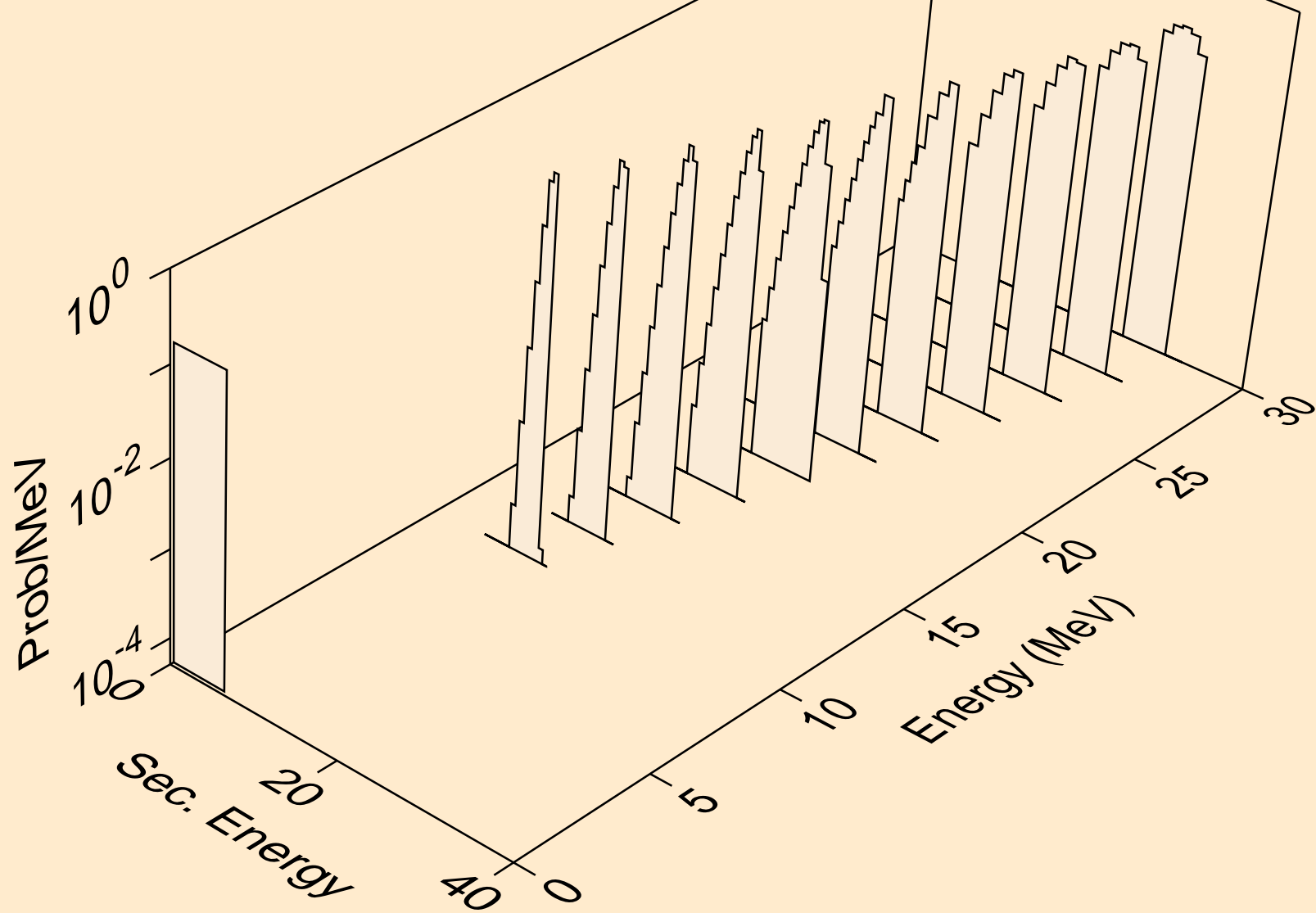
HS269 TRITON ACER TENDL-2021 LIBRARY; T=0.K
he3s from (t,x)



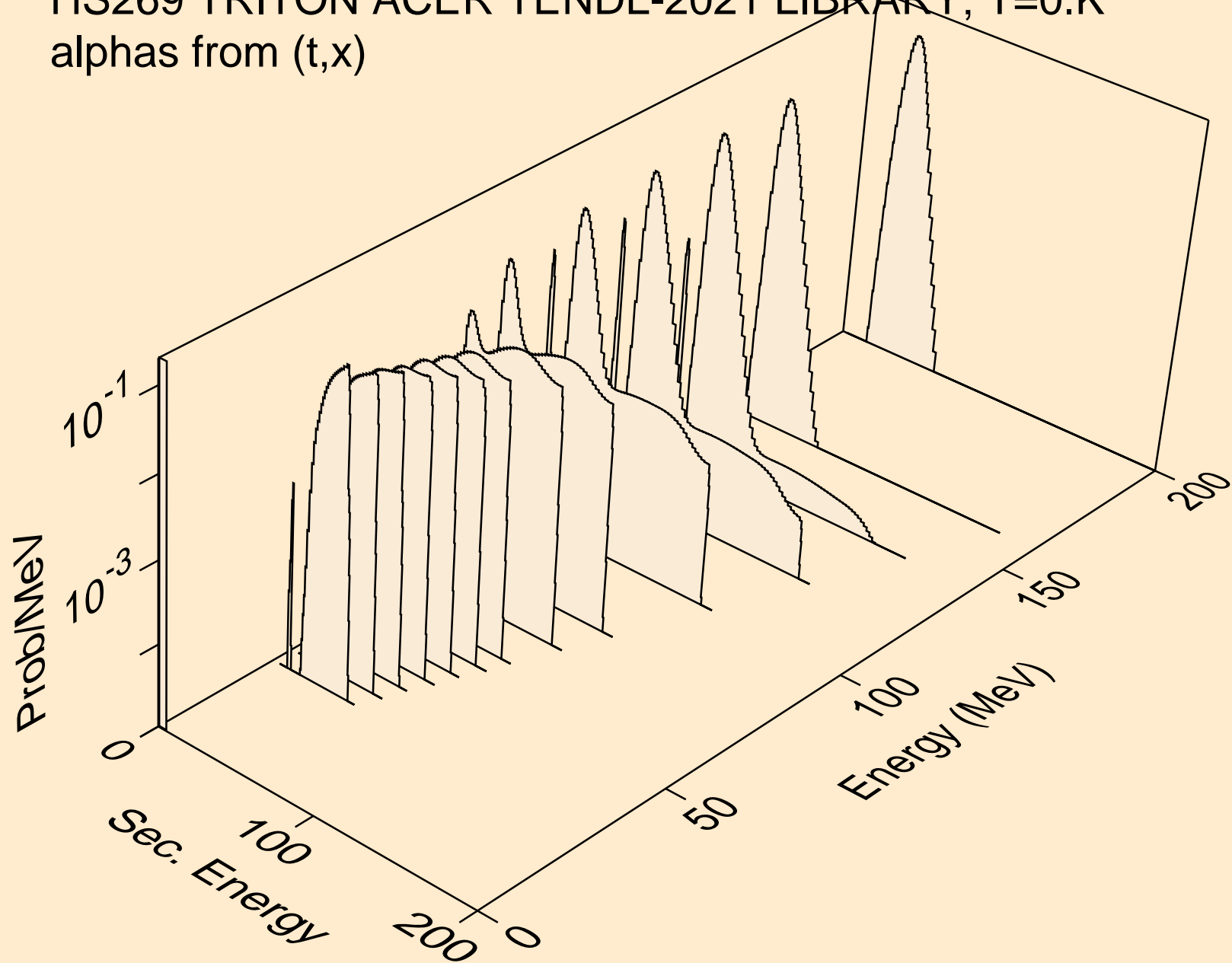
HS269 TRITON ACER TENDL-2021 LIBRARY; T=0.K
he3s from (t,n*)he3



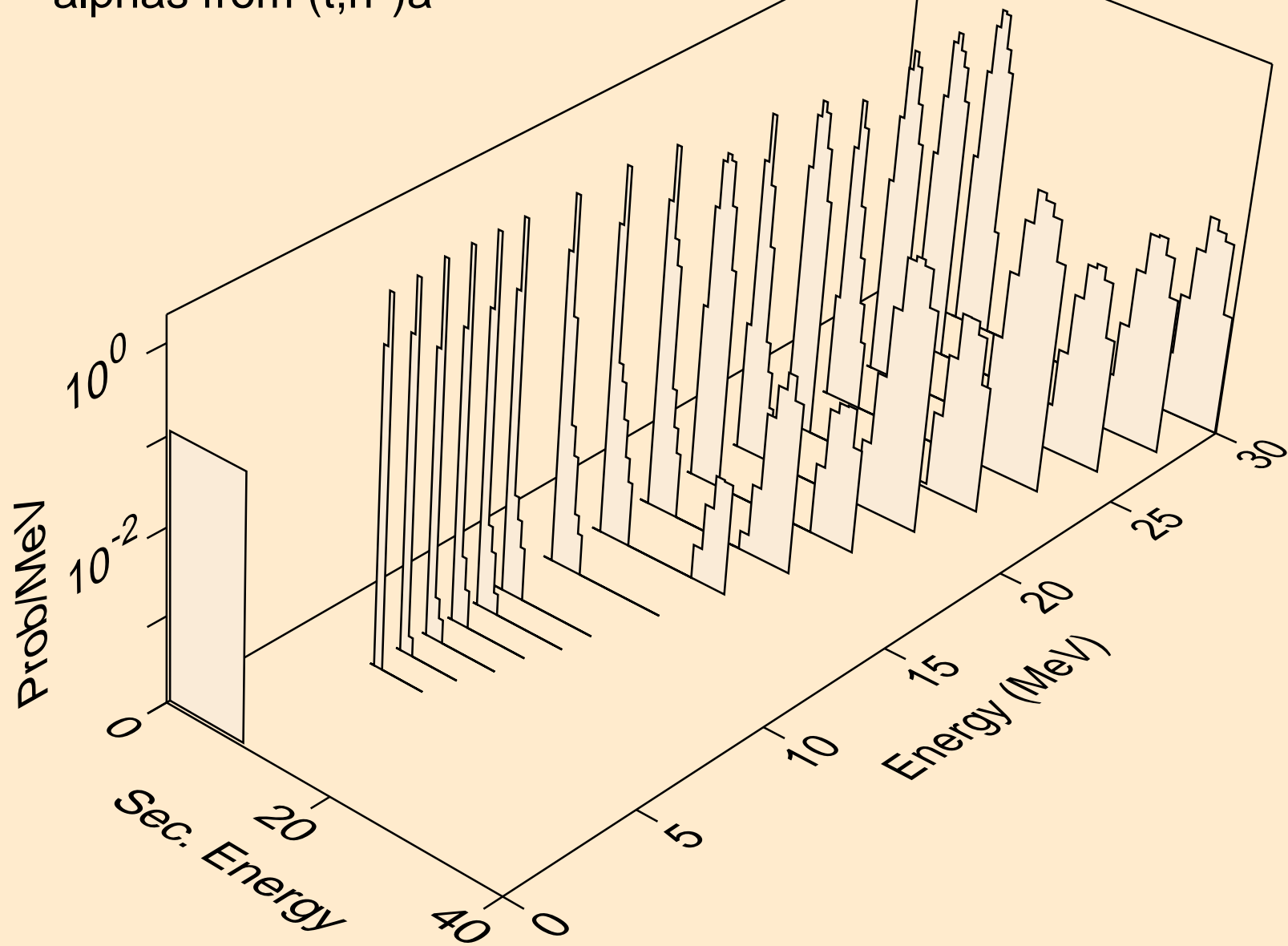
HS269 TRITON ACER TENDL-2021 LIBRARY; T=0.K
he3s from (t,he3)



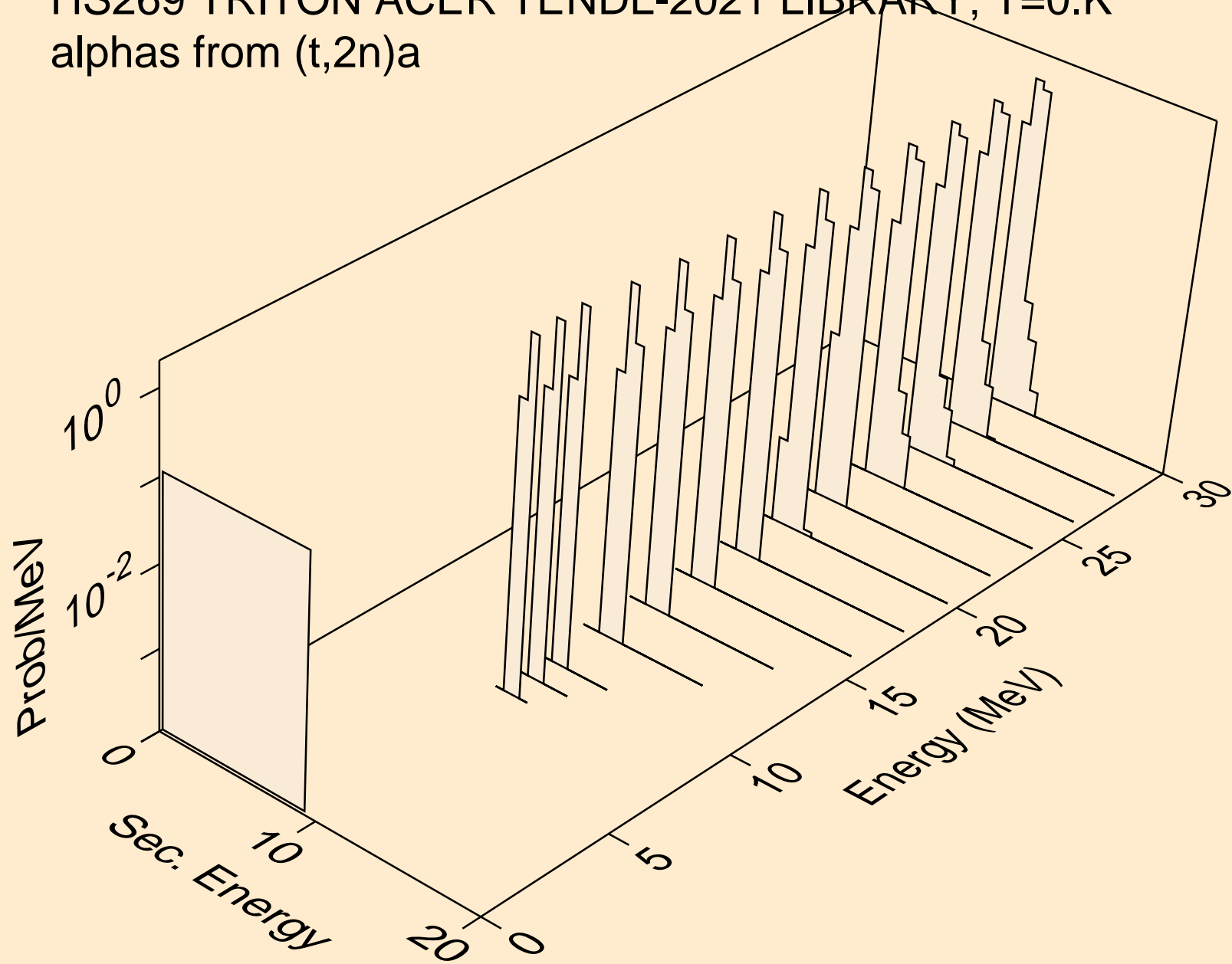
HS269 TRITON ACER TENDL-2021 LIBRARY; T=0.K
alphas from (t,x)



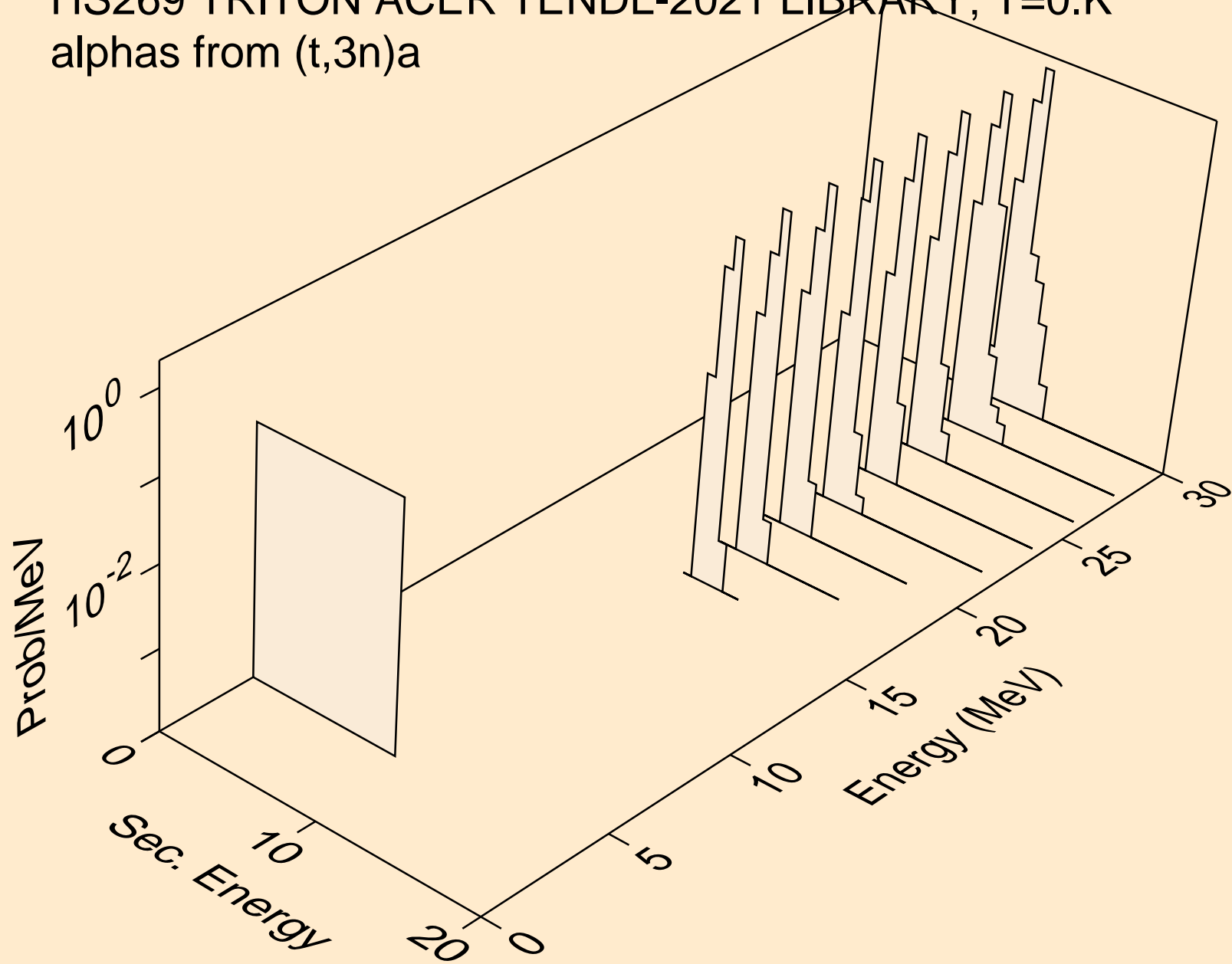
HS269 TRITON ACER TENDL-2021 LIBRARY; T=0.K
alphas from (t,n*)a



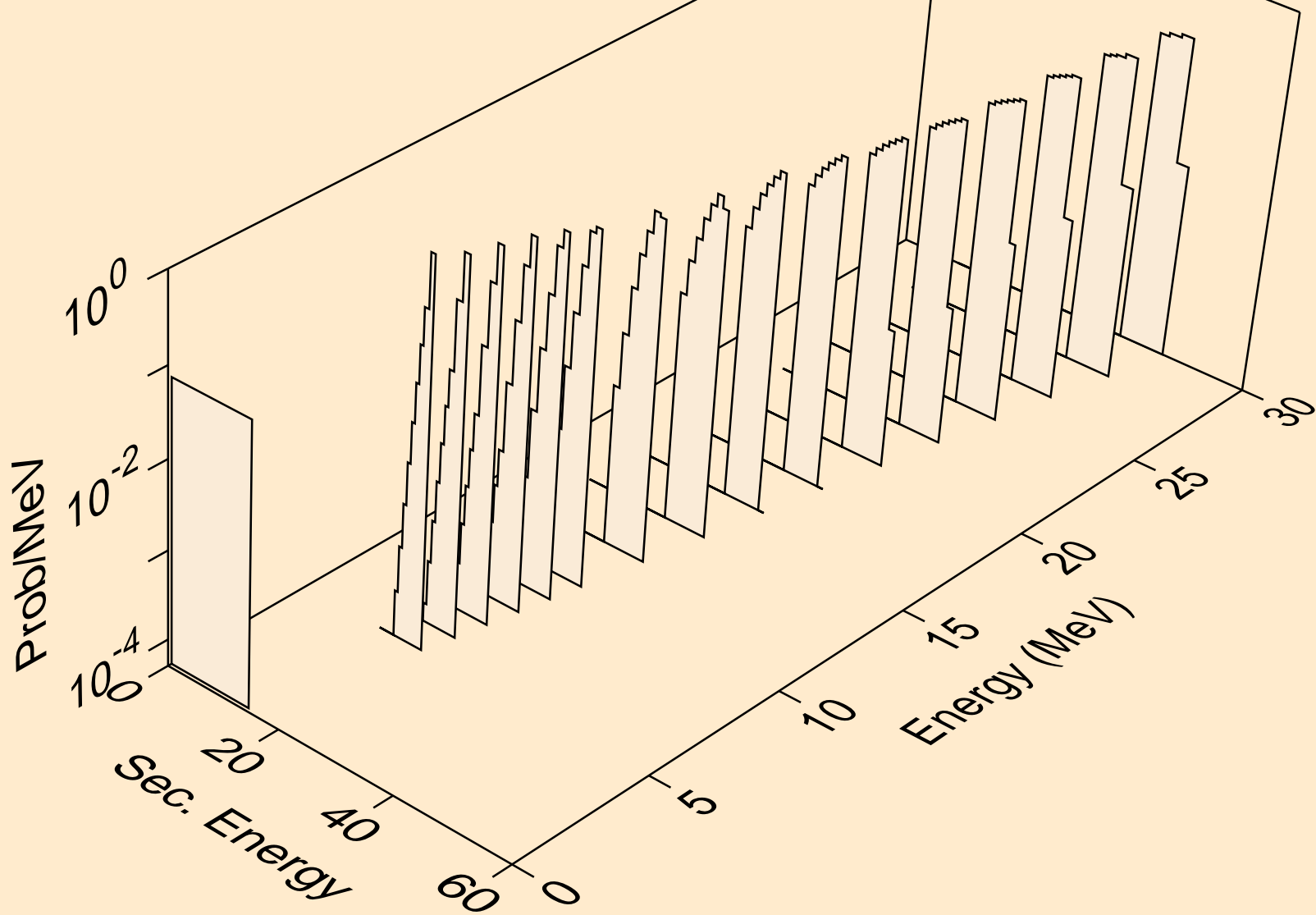
HS269 TRITON ACER TENDL-2021 LIBRARY; T=0.K
alphas from (t,2n)a



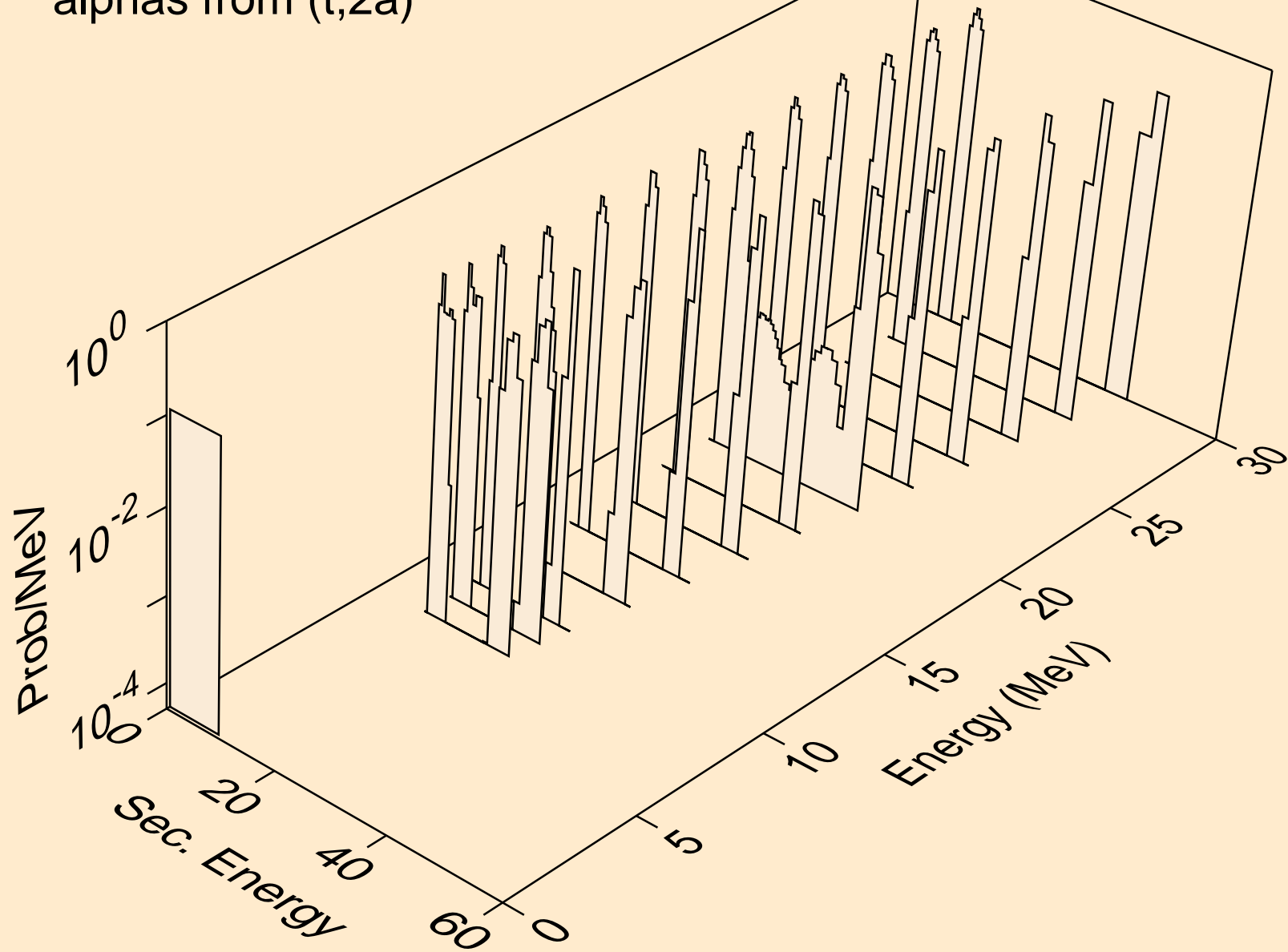
HS269 TRITON ACER TENDL-2021 LIBRARY; T=0.K
alphas from (t,3n)a



HS269 TRITON ACER TENDL-2021 LIBRARY; T=0.K
alphas from (t,a)



HS269 TRITON ACER TENDL-2021 LIBRARY; T=0.K
alphas from (t,2a)



HS269 TRITON ACER TENDL-2021 LIBRARY; T=0.K
alphas from (t,pa)

